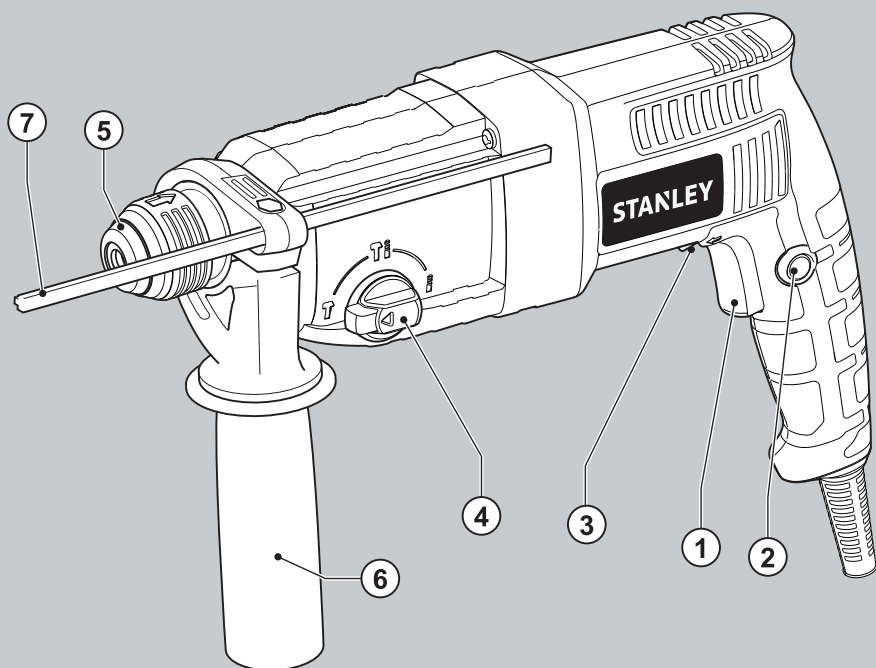
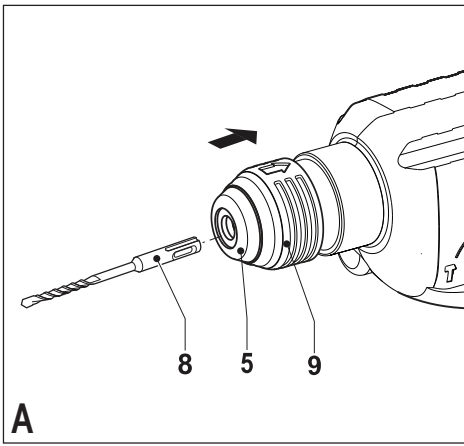


STANLEY

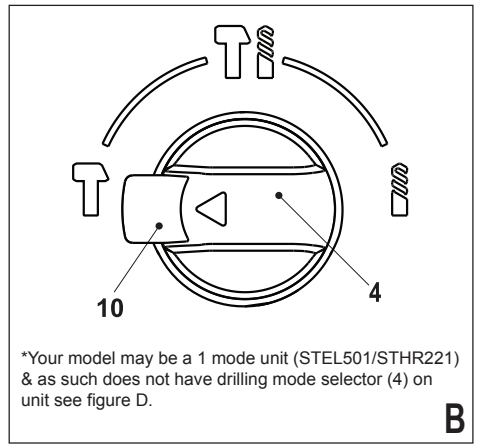


STEL501
STEL503
STHR221
STHR223

ENGLISH	3
简体中文	7
INDONESIA	11
ภาษาไทย	16
TIẾNG VIỆT	21

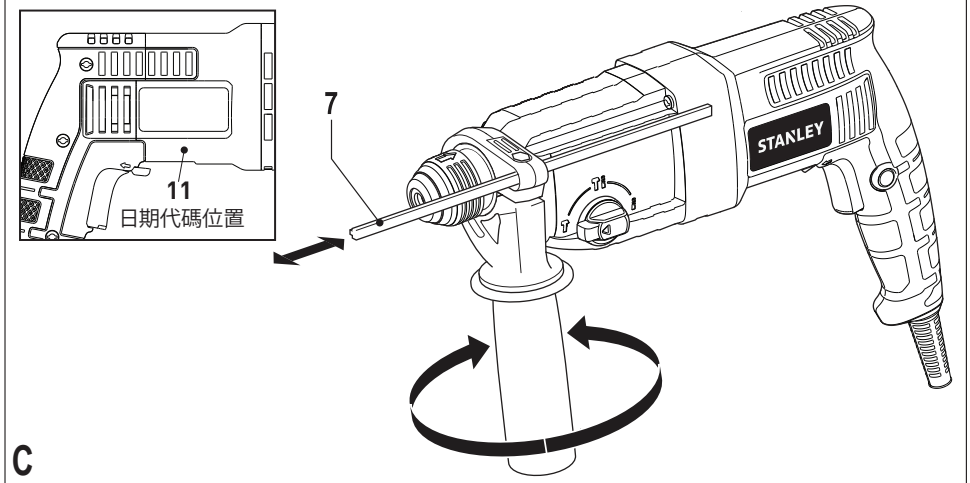


A

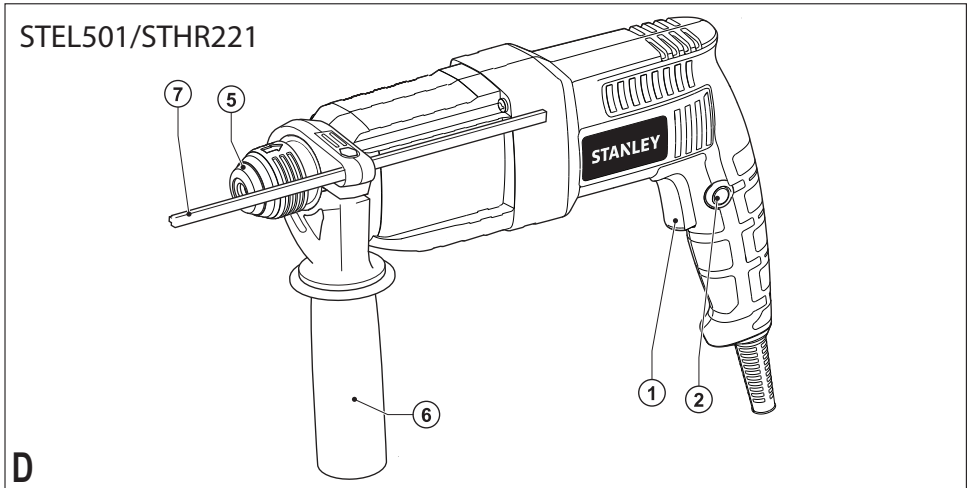


*Your model may be a 1 mode unit (STEL501/STHR221) & as such does not have drilling mode selector (4) on unit see figure D.

B



C



D

* The picture above may differ slightly to actual unit.

STEL501/STHR221
STEL503/STHR223
HAMMER

Technical data

Hammer		STEL501 STHR221	STEL503 STHR223
Power input	W	720	720
No-load speed	/min	0-980	0-980
Impact rate	BPM	0-5200	0-5200
Impact energy	J	2.0	2.0
Modes		1	3
Max capacity	mm		
- Concrete		22	22
- Steel		-	13
-Wood		-	30
Weight	kg	3.0	3.0

Intended use

Your Stanley SDS plus rotary hammer has been designed for drilling in wood, metal, plastics, and masonry as well as for light chiselling applications.

Safety instructions

General power tool safety warnings



WARNING! Read all safety warnings and all instructions. Failure to follow the warnings and instructions listed below may result in electric shock, fire and/or serious injury.

Save all warnings and instructions for future reference. The term "power tool" in all of the warnings listed below refers to your mains operated (corded) power tool or battery operated (cordless) power tool.

1. Work area safety

- Keep work area clean and well lit.** Cluttered or dark areas invite accidents.
- Do not operate power tools in explosive atmospheres, such as in the presence of flammable liquids, gases or dust.** Power tools create sparks which may ignite the dust or fumes.
- Keep children and bystanders away while operating a power tool.** Distractions can cause you to lose control.

2. Electrical safety

- Power tool plugs must match the outlet. Never modify the plug in any way. Do not use any adapter plugs with earthed (grounded) power tools.** Unmodified plugs and matching outlets will reduce risk of electric shock.
- Avoid body contact with earthed or grounded surfaces such as pipes, radiators, ranges and refrigerators.** There is an increased risk of electric shock if your body is earthed or grounded.
- Do not expose power tools to rain or wet conditions.** Water entering a power tool will increase the risk of electric shock.
- Do not abuse the cord. Never use the cord for carrying, pulling or unplugging the power tool. Keep cord away from heat, oil, sharp edges or moving parts.** Damaged or entangled cords increase the risk of electric shock.
- When operating a power tool outdoors, use an extension cord suitable for outdoor use.** Use of a cord suitable for outdoor use reduces the risk of electric shock.
- If operating a power tool in a damp location is unavoidable, use a residual current device (RCD) protected supply.** Use of an RCD reduces the risk of electric shock.

3. Personal safety

- Stay alert, watch what you are doing and use common sense when operating a power tool. Do not use a power tool while you are tired or under the influence of drugs, alcohol or medication.** A moment of inattention while operating power tools may result in serious personal injury.
- Use personal protective equipment. Always wear eye protection.** Protective equipment such as dust mask, non-skid safety shoes, hard hat, or hearing protection used for appropriate conditions will reduce personal injuries.
- Prevent unintentional starting. Ensure the switch is in the off-position before connecting to power source and/or battery pack, picking up or carrying the tool.** Carrying power tools with your finger on the switch or energising power tools that have the switch on invites accidents.
- Remove any adjusting key or wrench before turning the power tool on.** A wrench or a key left attached to a rotating part of the power tool may result in personal injury.
- Do not overreach. Keep proper footing and balance at all times.** This enables better control of

the power tool in unexpected situations.

- f. **Dress properly. Do not wear loose clothing or jewellery. Keep your hair, clothing and gloves away from moving parts.** Loose clothes, jewellery or long hair can be caught in moving parts.
 - g. **If devices are provided for the connection of dust extraction and collection facilities, ensure these are connected and properly used.** Use of dust collection can reduce dust-related hazards.
4. **Power tool use and care**
 - a. **Do not force the power tool. Use the correct power tool for your application.** The correct power tool will do the job better and safer at the rate for which it was designed.
 - b. **Do not use the power tool if the switch does not turn it on and off.** Any power tool that cannot be controlled with the switch is dangerous and must be repaired.
 - c. **Disconnect the plug from the power source and/or the battery pack from the power tool before making any adjustments, changing accessories, or storing power tools.** Such preventive safety measures reduce the risk of starting the power tool accidentally.
 - d. **Store idle power tools out of the reach of children and do not allow persons unfamiliar with the power tool or these instructions to operate the power tool.** Power tools are dangerous in the hands of untrained users.
 - e. **Maintain power tools. Check for misalignment or binding of moving parts, breakage of parts and any other condition that may affect the power tools operation. If damaged, have the power tool repaired before use.** Many accidents are caused by poorly maintained power tools.
 - f. **Keep cutting tools sharp and clean.** Properly maintained cutting tools with sharp cutting edges are less likely to bind and are easier to control.
 - g. **Use the power tool, accessories and tool bits etc. in accordance with these instructions, taking into account the working conditions and the work to be performed.** Use of the power tool for operations different from those intended could result in a hazardous situation.

5. Service

- a. **Have your power tool serviced by a qualified repair person using only identical**

replacement parts. This will ensure that the safety of the power tool is maintained.

Additional power tool safety warnings



Warning! Additional safety warnings for grinding, sanding, wire brushing, polishing or abrasive cutting-off operations

- ◆ **Wear ear protectors.** Exposure to noise can cause hearing loss.
- ◆ **Use auxiliary handles supplied with the tool.** Loss of control can cause personal injury.
- ◆ **Hold power tool by insulated gripping surfaces when performing an operation where the cutting accessory may contact hidden wiring or its own cord.** Cutting accessory contact with a "live" wire may make exposed metal parts of the power tool "live" and could give the operator an electric shock.
- ◆ Never use a chisel accessory in rotary mode. The accessory will bind in the material and rotate the drill.
- ◆ Use clamps or another practical way to secure and support the workpiece to a stable platform. Holding the work by hand or against your body leaves it unstable and may lead to loss of control.
- ◆ Before drilling into walls, floors or ceilings, check for the location of wiring and pipes.
- ◆ Avoid touching the tip of a drill bit just after drilling, as it may be hot.
- ◆ The intended use is described in this instruction manual. The use of any accessory or attachment or performance of any operation with this tool other than those recommended in this instruction manual may present a risk of personal injury and/or damage to property.

Safety of others

- ◆ This appliance is not intended for use by persons (including children) with reduced physical, sensory or mental capabilities, or lack of experience and knowledge, unless they have been given supervision or instruction concerning use of the appliance by a person responsible for their safety.
- ◆ Children should be supervised to ensure that they do not play with the appliance.

Residual risks.

Additional residual risks may arise when using the tool which may not be included in the enclosed safety warnings. These risks can arise from misuse, prolonged use etc.

Even with the application of the relevant safety regulations and the implementation of safety devices, certain residual risks can not be avoided. These include:

- ◆ Injuries caused by touching any rotating/moving parts.
- ◆ Injuries caused when changing any parts, blades or accessories.
- ◆ Injuries caused by prolonged use of a tool. When using any tool for prolonged periods ensure you take regular breaks.
- ◆ Impairment of hearing.
- ◆ Health hazards caused by breathing dust developed when using your tool (example:- working with wood, especially oak, beech and MDF.)

Label on tool

The following symbols are shown on the tool:



WARNING! To reduce the risk of injury, the user must read the instruction manual.

Electrical safety



This tool is double insulated; therefore no earth wire is required. Always check that the power supply corresponds to the voltage on the rating plate.

- ◆ If the supply cord is damaged, it must be replaced by the manufacturer or an authorised Stanley Service Centre in order to avoid a hazard.

Using an extension cable

If an extension cable is required, use an approved extension cable suitable for the power input of this tool (see technical data). The minimum conductor size is 1.5 mm². When using a cable reel, always unwind the cable completely. Also refer to the table below.

Conductor size (mm ²)		Cable rating (Amperes)					
0.75		6					
1.00		10					
1.50		15					
2.50		20					
4.00		25					
Cable length (m)							
		7.5	15	25	30	45	60
Voltage	Amperes	Cable rating (Amperes)					
115	0 - 2.0	6	6	6	6	6	10
	2.1 - 3.4	6	6	6	6	15	15
	3.5 - 5.0	6	6	10	15	20	20
	5.1 - 7.0	10	10	15	20	20	25
	7.1 - 12.0	15	15	20	25	25	-
230	12.1 - 20.0	20	20	25	-	-	-
	0 - 2.0	6	6	6	6	6	6
	2.1 - 3.4	6	6	6	6	6	6
	3.5 - 5.0	6	6	6	6	10	15
	5.1 - 7.0	10	10	10	10	15	15
	7.1 - 12.0	15	15	15	15	20	20
	12.1 - 20.0	20	20	20	20	25	-

Features

This tool includes some or all of the following features.

1. Variable speed switch
2. Lock-on button
3. Forward/reverse switch (only for STEL503)
4. Mode selector (only for STEL503)
5. Tool holder
6. Side handle
7. Depth stop

Assembly

Warning! Before assembly, make sure that the tool is switched off and unplugged.

Fitting the side handle

- ◆ Turn the grip counterclockwise until you can slide the side handle (6) onto the front of the tool.
- ◆ Rotate the side handle into the desired position.
- ◆ Tighten the side handle by turning the grip clockwise.



Warning! Always use the tool with the side handle properly assembled.

Fitting an accessory (fig.A)

- ◆ Clean and grease the shank (8) of the accessory.
- ◆ Pull back the sleeve (9) and insert the shank into the tool holder (5).
- ◆ Push the accessory down and turn it slightly until it fits into the slots.
- ◆ Pull on the accessory to check if it is properly locked. The hammering function requires the accessory to be able to move axially several centimetres when locked in the tool holder.
- ◆ To remove the accessory, pull back the sleeve (9) and pull out the accessory. tool holder.

Use

Warning! Let the tool work at its own pace. Do not overload.

Warning! Before drilling into walls, floors or ceilings, check for the location of wiring and pipes.

Selecting the operating mode (fig. B)

The tool can be used in three operating modes. Press in the button (10) and rotate the drilling mode selector (4) towards the required position, as indicated by the symbols.

Drilling

- ◆ For drilling in steel, wood and plastics, set the operating mode selector (4) to the position.modes.

Hammer Drilling

- ◆ For hammer drilling in masonry and concrete, set the operating mode selector (4) to the **T1** position
- ◆ When hammering, the tool should not bounce and run smoothly. If necessary, increase the speed.

Hammering

- ◆ For hammering with spindle lock, and for light chiselling and chipping, set the operating mode selector (4) to the **T** position.
- ◆ Make sure the forward/reverse switch is in the forward position.
- ◆ When changing from hammer drilling to chiselling, turn the chisel to the desired position. If resistance is felt during mode change, slightly turn the chisel to engage the spindle lock.

Warning! If your hammer is a 1 mode unit (STEL501), It only has one function - hammer drilling. It can't select operating mode.

Selecting the direction of rotation

This function is included on only certain models (STEL503). For drilling, and for chiselling, use forward (clockwise) rotation. For removing a jammed drill bit, use reverse (counterclockwise) rotation.

- ◆ To select forward rotation, push the forward/reverse slider (3) to the left.
- ◆ To select reverse rotation, push the forward/reverse slider to the right.

Warning! Never change the direction of rotation while the motor is running.

Setting the drilling depth (fig. C)

- ◆ Slacken the side handle (6) by turning the grip counterclockwise.
- ◆ Set the depth stop (7) to the desired position. The maximum drilling depth is equal to the distance between the tip of the drill bit and the front end of the depth stop.
- ◆ Tighten the side handle by turning the grip clockwise.

Switching on and off

- ◆ To switch the tool on, press the variable speed switch (1). The tool speed depends on how far you press the switch.
- ◆ As a general rule, use low speeds for large diameter drill bits and high speeds for smaller diameter drill bits.
- ◆ For continuous operation, press the lock-on button (2) and release the variable speed switch. This option is available only in forward (clockwise) rotation.
- ◆ To switch the tool off, release the variable speed switch. To switch the tool off when in continuous operation, press the variable speed switch once more and release it.

Accessories

The performance of your tool depends on the accessory used. Stanley accessories are engineered to high quality standards and designed to enhance the performance of your tool. By using these accessories you will get the very best from your tool.

Maintenance

Your Stanley corded/cordless appliance/tool has been designed to operate over a long period of time with a minimum of maintenance. Continuous satisfactory operation depends upon proper tool care and regular cleaning.

Warning! Before performing any maintenance on corded/cordless power tools:

- ◆ Switch off and unplug the appliance/tool.
- ◆ Or switch off and remove the battery from the appliance/tool if the appliance/tool has a separate battery pack.
- ◆ Or run the battery down completely if it is integral and then switch off.
- ◆ Unplug the charger before cleaning it. Your charger does not require any maintenance apart from regular cleaning.
- ◆ Regularly clean the ventilation slots in your appliance/tool/charger using a soft brush or dry cloth.
- ◆ Regularly clean the motor housing using a damp cloth. Do not use any abrasive or solvent-based cleaner.
- ◆ Regularly open the chuck and tap it to remove any dust from the interior (when fitted).

Protecting the environment



Separate collection. This product must not be disposed of with normal household waste.

Should you find one day that your Stanley product needs replacement, or if it is of no further use to you, do not dispose of it with household waste. Make this product available for separate collection.



Separate collection of used products and packaging allows materials to be recycled and used again. Re-use of recycled materials helps prevent environmental pollution and reduces the demand for raw materials.

Local regulations may provide for separate collection of electrical products from the household, at municipal waste sites or by the retailer when you purchase a new product.

STHR221/STHR223 电锤

技术数据

电锤		STHR221	STHR223
输入功率	W	720	720
空载转速	/min	0-980	0-980
冲击率	BPM	0-5200	0-5200
冲击能量	J	2.0	2.0
模式		1	3
最大钻孔能力	mm		
- 混凝土		22	22
- 钢材		-	13
- 木材		-	30
重量	kg	2.9	3.0

设计用途

您的史丹利 SDS plus 电锤设计用于在木材、钢材、塑料和砖石上钻孔，以及轻度凿切应用。

安全说明

电动工具通用安全警告



警告！ 阅读所有警告和所有说明。不遵照以下警告和说明会导致电击、着火和/或严重伤害。

保存所有警告和说明书以备查阅。在所有下列的警告中术语“电动工具”指市电驱动（有线）电动工具或电池驱动（无线）电动工具。

1. 工作场地的安全

- 保持工作场地清洁和明亮。混乱和黑暗的场地会引发事故。
- 不要在易爆环境，如有易燃液体、气体或粉尘的环境下操作电动工具。电动工具产生的火花会点燃粉尘或气体。
- 让儿童和旁观者离开后操作电动工具。注意力不集中会使你失去对工具的控制。

2. 电气安全

- 电动工具插头必须与插座相配。绝不能以任何方式改装插头。需接地的电动工具不能使用任何转换插头。未经改装的插头和相配的插座将减少电击危险。

- 避免人体接触接地表面，如管道、散热片和冰箱。如果你身体接地会增加电击危险。
- 不得将电动工具暴露在雨中或潮湿环境中。水进入电动工具将增加电击危险。
- 不得滥用电线。绝不能用电线搬运、拉动电动工具或拔出其插头。使电线远离热源、油、锐边或运动部件。受损或缠绕的软线会增加电击危险。
- 当在户外使用电动工具时，使用适合户外使用的外接软线。适合户外使用的软线将减少电击危险。
- 如果在潮湿环境下操作电动工具是不可能的，应使用剩余电流动作保护器（RCD）。使用RCD可减少电击危险。

3. 人身安全

- 操作电动工具时请保持警觉，提高注意力。当你感到疲倦，或在有药物、酒精或治疗反应时，不要操作电动工具。在操作电动工具时瞬间的疏忽会导致严重人身伤害。
- 使用个人防护装置。始终佩戴护目镜。安全装置，诸如适当条件下使用防尘面具、防滑安全鞋、安全帽、听力防护等装置能减少人身伤害。
- 防止意外起动。确保开关在连接电源和/或电池盒、拿起或搬运工具时处于关断位置。手指放在已接通电源的开关上或开关处于接通时插入插头可能会导致危险。
- 在电动工具接通之前，拿掉所有调节钥匙或扳手。遗留在电动工具旋转零件上的扳手或钥匙会导致人身伤害。
- 手不要伸展得太长。时刻注意立足点和身体平衡。这样在意外情况下能很好地控制电动工具。
- 着装适当。不要穿宽松衣服或佩戴饰品。让你的衣服、手套和头发远离运动部件。宽松衣服、配饰或长发可能会卷入运动部件中。
- 如果提供了与排屑、集尘设备连接用的装置，要确保他们连接完好且使用得当。使用这些装置可减少尘屑引起的危险。

4. 电动工具使用和注意事项

- 不要滥用电动工具，根据用途使用适当的电动工具。选用适当设计的电动工具会使你工作更有效、更安全。
- 如果开关不能接通或关断工具电源，则不能使用该电动工具。不能用开关来控制的电动工具是危险的且必须进行修理。
- 在进行任何调节、更换附件或贮存电动工具之前，必须从电源上拔掉插头和/或使电池盒与工具脱开。这种防护性措施将减少工具意外起动的危险。
- 将闲置不用的电动工具贮存在儿童所及范围之外，并且不要让不熟悉电动工具或对这些说明不

了解的人操作电动工具。电动工具在未经培训的用户手中是危险的。

- e. 保养电动工具。检查运动件是否调整到位或卡住，检查零件破损情况和影响电动工具运行的其他状况。如有损坏，电动工具应在使用前修理好。许多事故由维护不良的电动工具引发。
- f. 保持切削刀具锋利和清洁。保养良好的有锋利切削刃的刀具不易卡住而且容易控制。
- g. 按照使用说明书，结合作业环境和工况使用电动工具，附件和钻头等。“将电动工具用于那些与其用途不符的操作可能会导致危险。

5. 维修

- a. 将你的电动工具送交专业维修人员，使用同样的备件进行修理。这样将确保所维修的电动工具的安全性。

电动工具附加安全警告



警告！针对磨削、砂光、刷光、抛光和砂轮切割操作的附加安全警告

- ◆ 戴好耳罩。暴露在噪声中会引起听力损伤。
- ◆ 使用随工具提供的辅助手柄。操作失手会引起人身伤害。
- ◆ 在切削附件可能触及暗线或其自身软线之处进行操作时，要通过绝缘握持面来握持工具。切削附件碰到带电导线会使工具外露的金属零件带电从而使操作者受到电击。
- ◆ 请勿在旋转模式下使用凿子附件。附件将卡在材料中并旋转电钻。
- ◆ 请使用夹具或采取其它可行的方法，把工件可靠地固定在稳定的平台上。手持或用身体顶住工件都是不稳定的，会导致操作失控。
- ◆ 在墙上、地板或天花板上钻孔之前，请先检查电线和钢管位置。
- ◆ 避免在钻孔后立刻触碰钻头顶端，以免烫伤。
- ◆ 本使用手册描述了工具的设计用途。使用非本使用手册所建议的任何其他附件或配件，或者使用本工具执行非手册建议的任何其他操作，都可能存在人身伤害和/或财产损失的危险。

他人安全

- ◆ 本设备不适合体力、感官或智力不足以及缺乏经验、知识的人员（包括儿童），除非负责他们安全的人员已经为他们提供关于使用此设备的监督或指示。
- ◆ 应看管好儿童，以确保他们不将此设备当做玩具来玩。

其他风险

使用工具时，可能出现本安全警示之外的其他剩余风险。这些风险可能来自使用不当，使用时间过长等。尽管遵守了相关的安全法规并采用了安全装备，某些风险仍然是无法避免的。这些风险包括：

- ◆ 接触旋转/运动部件时所导致的伤害风险。
- ◆ 更换部件、锯片或附件时所导致的伤害风险。
- ◆ 长期使用工具所导致的伤害风险。长期使用任何工具时，均应定期休息。
- ◆ 听力损伤。
- ◆ 吸入工具使用过程中产生的粉尘导致的健康危害（例如，锯切木材，特别是橡木、山毛榉和中密度纤维板时）。

工具上的标签

工具上显示了下列符号：



警告！为降低伤害风险，用户必须阅读使用手册。

电气安全



本工具采用双重绝缘，因此无需接地线。请务必检查电源电压是否与铭牌上的电压一致。

- ◆ 如果电源线损坏，必须由制造商或史丹利授权服务中心更换，以避免发生危险。

部件名称

本工具包含如下部分或全部部件：

1. 变速开关
2. 锁定按钮
3. 正/反转滑块（只适用于 STEL503）
4. 模式选择器（只适用于 STEL503）
5. 工具夹头
6. 侧手柄
7. 深度尺

组装

警告！组装前，请确保关闭工具电源并拔下工具插头。

安装侧手柄

- ◆ 逆时针转动手柄，直到您可以将侧手柄 (6) 滑动至工具正面为止。
- ◆ 将侧手柄转入所需位置。
- ◆ 通过顺时针转动手柄转紧侧手柄。

安装附件 (图 A)

- ◆ 清洁并润滑附件杆 (8)。
- ◆ 向后拉动套管 (9)，然后将附件杆插入工具固定器 (5)。
- ◆ 按下附件并稍微转动，直到附件安装到插槽里。
- ◆ 拉动附件以检查它是否锁定到位。锤打功能需要附件在锁定到工具固定器中时可以轴向移动数厘米。
- ◆ 如果要取出附件，请向后拉动套管 (9)，然后将附件从工具固定器中拉出。

使用

警告！ 请使工具在正常负荷下工作，切勿过载。

警告！ 在墙上、地板或天花板上钻孔之前，请先检查电线和钢管位置。

选择操作模式 (图 B)

本工具可在三种操作模式下使用。按下按钮 (10)，然后按符号所示，将钻孔模式选择器 (4) 旋转到所需位置。

钻孔

- ◆ 在钢材、木材和塑料上钻孔时，请将操作模式选择器 (4) 设置到 **1** 位置。

冲击钻孔

- ◆ 使用冲击钻在砖石和混凝土中钻孔时，请将操作模式选择器 (4) 设置到 **T1** 位置。
- ◆ 进行冲击钻孔时，工具应该不会反冲，平稳运行。必要时可提高速度。

冲击

- ◆ 要使用主轴锁定进行锤击，以及轻微凿切和切削，请将操作模式选择器 (4) 设置到 **T** 位置。
- ◆ 请确保正/反转滑块位于正转位置。
- ◆ 从冲击钻孔模式更改为凿切模式时，请将凿子转到所需位置。如果在更改模式时感受到阻力，请稍微转动凿子以使用主轴锁。

警告！ 如果您的电锤只有 1 种模式 (STEL501)，则其只有一种功能 — 冲击钻孔。这种电锤不能选择操作模式。

选择旋转方向

只有某些机型 (STEL503) 具有此功能。如果要钻孔和凿切，请使用向前 (顺时针) 旋转功能。如果要取出卡住的钻头，请使用向后 (逆时针) 旋转功能。

- ◆ 要选择向前旋转，请将正/反转滑块 (3) 拨到左边。

- ◆ 要选择向后旋转，请将正/反转滑块拨到右边。
- 警告！** 切勿在电机运行时更改旋转方向。

选择钻孔深度 (图 C)

- ◆ 通过逆时针转动手柄转松侧手柄 (6)。
- ◆ 将深度尺 (7) 设置到所需位置。最大钻孔深度相等与钻头尖端与深度尺前端末端之间的距离。
- ◆ 通过顺时针转动手柄转紧侧手柄。

启动与关闭

- ◆ 要开启工具，请按下变速开关 (1)。工具转速取决于您按压开关的程度。
- ◆ 按照常规，使用大直径钻头时采用低速，使用小直径钻头时则采用高速。
- ◆ 要使工具连续运行，请按下锁定按钮 (2)，然后松开变速开关。此选项只在向前 (顺时针) 旋转时可用。
- ◆ 要关闭工具，请松开变速开关。要在持续操作时关闭工具电源，请再次按下变速开关然后松开。

附件

电动工具的性能取决于所使用的附件。史丹利附件按照高质量标准设计，旨在增强电动工具的性能。使用这些附件会令您的工具如虎添翼。

维护

本史丹利有线/无线设备/工具设计精良，可以长期使用，而且只需极少的维护。要持续获得令人满意的工作效果，需要对工具进行适当的维护和定期清洁。

警告！ 对有线/无线电动工具进行任何维护工作之前，必须：

- ◆ 闭电源并拔下设备/工具插头。
- ◆ 如果设备/工具配有独立电池组，请关闭电源并从设备/工具上取下电池。
- ◆ 如果设备/工具配有一体式电池，请将电池电量耗尽后，然后再关闭电源。
- ◆ 清洁之前，先拔下充电器插头。您的充电器除了需要定期清洁外，不需要执行任何保养操作。
- ◆ 定期使用软刷或干布清洁设备/工具/充电器内的通风槽。
- ◆ 定期使用湿布清洁电动机外壳。请不要使用任何研磨性或基于溶剂的清洁剂。
- ◆ 定期打开夹头并轻敲以去除内部的任何粉尘 (安装后)。

保护环境



分类回收。本产品不得与普通家庭垃圾一起处理。

如果您发现您的史丹利产品需要更换或您已经不再需要使用这些产品，请不要将它们与家庭垃圾一起处理。请将它们单独分类回收。



分类回收使用过的产品和包装能够让材料得以再循环和再利用。再生材料的再利用有助于防止环境污染，并降低对原材料的需求。

当地法规可能要求由市政废物处理点或向您出售新产品的零售商提供从家庭中分类回收电气产品的服务。

STEL501/503 PALU

Data teknis

Palu		STEL501	STEL503
Input daya	W	720	720
Kecepatan tanpa beban	/menit	0-980	0-980
Taraf tumbukan	BPM	0-5200	0-5200
Energi tumbukan	J	2,0	2,0
Mode		1	3
Kapasitas maks.	mm		
- Beton		22	22
- Baja		-	13
- Kayu		-	30
Berat	kg	3.0	3.0

Tujuan penggunaan

Palu putar Stanley SDS plus dirancang untuk mengebor kayu, logam, plastik, dan batuan, selain untuk aplikasi pahat ringan.

Petunjuk keselamatan

Peringatan umum untuk keselamatan perkakas listrik



PERINGATAN! Baca seluruh peringatan keselamatan dan seluruh petunjuk.

Kelalaian dalam mengikuti semua peringatan dan petunjuk yang tercantum di bawah ini dapat mengakibatkan sengatan listrik, kebakaran, dan/ atau cedera serius.

Simpan semua peringatan dan petunjuk untuk pedoman di masa depan.

Istilah "perkakas listrik" dalam seluruh peringatan yang tercantum di bawah ini merujuk pada perkakas bertenaga listrik (berkabel) atau perkakas listrik bertenaga baterai (nirkabel) Anda.

1. Keselamatan area kerja

a. Jaga agar area kerja tetap bersih dan terang.

Area yang berantakan atau gelap berpotensi mengakibatkan kecelakaan.

b. Jangan mengoperasikan perkakas listrik ini di lingkungan yang mudah menimbulkan bahaya ledakan, seperti di tempat yang

terdapat cairan mudah terbakar, gas atau debu. Perkakas listrik menimbulkan percikan api yang dapat menyulut debu atau uap.

c. Jauhkan anak-anak dan orang yang berada di sekitar, sewaktu mengoperasikan perkakas listrik.

Gangguan dapat menyebabkan Anda kehilangan kendali.

2. Keamanan listrik

a. Steker perkakas listrik harus sesuai dengan soketnya. Jangan pernah memodifikasi steker dengan cara apa pun. Jangan gunakan steker adaptor apa pun dengan perkakas listrik yang dibumikan (grounded).

Steker yang tidak dimodifikasi dan stopkontak yang sesuai akan mengurangi risiko sengatan listrik.

b. Hindari kontak badan dengan permukaan yang dibumikan (grounded), seperti pipa, radiator, kompor, dan kulkas.

Risiko sengatan listrik dapat bertambah jika tubuh Anda bersentuhan dengan permukaan yang dibumikan.

c. Jangan sampai perkakas listrik ini terkena hujan atau terpapar ke kondisi yang basah.

Air yang masuk ke perkakas listrik akan meningkatkan risiko sengatan listrik.

d. Jangan menyalahgunakan kabel. Jangan sekali-kali menggunakan kabel untuk membawa, menarik atau mencabut perkakas listrik. Jauhkan kabel dari panas, minyak, tepi tajam, atau komponen yang bergerak.

Kabel yang rusak atau terbelit akan meningkatkan risiko sengatan listrik.

e. Bila mengoperasikan perkakas listrik di luar ruangan, gunakan kabel sambungan yang sesuai untuk penggunaan di luar ruangan.

Menggunakan kabel yang sesuai untuk penggunaan di luar ruangan akan mengurangi risiko sengatan listrik.

f. Jika penggunaan perkakas listrik di lokasi yg lembap tidak dapat dihindari, gunakan suplai pelindung arus listrik residual (RCD).

Penggunaan RCD akan mengurangi risiko sengatan listrik.

3. Keselamatan diri

a. Tetap waspada, perhatikan apa yang Anda kerjakan dan gunakan akal sehat saat mengoperasikan perkakas listrik. Jangan gunakan alat listrik jika merasa lelah atau mengkonsumsi obat-obatan, alkohol, maupun sedang menjalani pengobatan.

Kelengahan sesaat saja saat mengoperasikan perkakas listrik dapat mengakibatkan cedera diri serius.

- b. **Gunakan peralatan pelindung diri. Selalu kenakan alat pelindung mata.** Peralatan pelindung, seperti masker debu, sepatu keselamatan antislip, helm proyek, atau pelindung telinga yang digunakan untuk kondisi yang sesuai akan mengurangi risiko cedera diri.
 - c. **Hindari menyalakan perkakas tanpa disengaja. Pastikan bahwa sakelar sudah dalam posisi mati sebelum menghubungkannya ke sumber listrik dan/atau kemasan baterai, mengambil, atau membawa perkakas.** Membawa perkakas listrik dengan jari Anda masih menempel pada sakelar atau menghidupkan perkakas listrik yang sakelarnya masih menyala akan berpotensi mengakibatkan kecelakaan.
 - d. **Lepaskan semua kunci setelah atau kunci pas sebelum menghidupkan perkakas listrik.** Kunci pas atau kunci yang dibiarkan terpasang pada komponen perkakas listrik yang berputar dapat mengakibatkan cedera diri.
 - e. **Jangan menjangkau melampaui batas. Selalu jaga pijakan dan keseimbangan yang baik.** Hal ini memungkinkan Anda untuk mengendalikan perkakas listrik secara lebih baik dalam situasi yang tidak terduga.
 - f. **Kenakan pakaian yang sesuai. Jangan mengenakan pakaian longgar atau perhiasan. Jauhkan rambut, pakaian, dan sarung tangan dari komponen yang bergerak.** Pakaian yang longgar, perhiasan atau rambut panjang dapat tersangkut pada komponen yang bergerak.
 - g. **Jika disediakan perangkat untuk sambungan fasilitas pengeluaran dan pengumpulan debu, pastikan perangkat ini dihubungkan dan digunakan dengan sesuai.** Penggunaan perangkat pengumpul debu dapat mengurangi bahaya yang ditimbulkan oleh debu.
4. **Penggunaan dan perawatan perkakas listrik**
 - a. **Jangan menggunakan perkakas listrik dengan paksa. Gunakan perkakas listrik yang benar untuk aplikasi Anda.** Perkakas listrik yang tepat akan bekerja lebih baik dan aman pada tingkat kelajuan yang telah dirancang untuk perkakas itu.
 - b. **Jangan gunakan perkakas listrik ini jika tombol tidak dapat menghidupkan dan mematikan perkakas.** Perkakas listrik apa pun yang tidak dapat dikendalikan dengan tombol adalah berbahaya dan harus diperbaiki.
 - c. **Lepas sambungan konektor dari catu daya dan/atau keluarkan unit baterai dari alat**

listrik sebelum melakukan penyesuaian, mengganti aksesori, atau menyimpan alat listrik. Tindakan pencegahan untuk keselamatan seperti itu akan mengurangi risiko menyalakan perkakas listrik secara tidak disengaja.

- d. **Simpan perkakas listrik yang tidak digunakan jauh dari jangkauan anak-anak, dan jangan membolehkan orang yang tidak memahami perkakas listrik atau petunjuk ini untuk mengoperasikannya.** Perkakas listrik bisa berbahaya bila digunakan oleh pengguna yang tidak terlatih.
 - e. **Rawat perkakas listrik. Lakukan pemeriksaan untuk mengetahui apakah ada komponen bergerak yang tidak sejajar atau bengkok, komponen yang patah, dan kondisi lainnya yang dapat mempengaruhi pengoperasian perkakas listrik. Jika rusak, perbaiki dahulu perkakas listrik sebelum digunakan.** Banyak terjadi kecelakaan akibat perkakas listrik yang tidak terawat baik.
 - f. **Jaga ketajaman dan kebersihan alat pemotong.** Alat pemotong yang terawat baik dengan mata potong yang tajam akan kecil kemungkinannya untuk macet serta lebih mudah untuk dikendalikan.
 - g. **Gunakan perkakas listrik, aksesori, dan mata bor, dsb. sesuai instruksi-instruksi ini, dengan memperhitungkan persyaratan kerja dan jenis pekerjaan yang harus dilakukan.** Penggunaan alat listrik untuk pengoperasian yang tidak sesuai dengan tujuan penggunaan dapat mengakibatkan situasi yang berbahaya.
5. **Servis**
 - a. **Perkakas listrik sebaiknya diservis oleh teknisi yang mahir dan hanya menggunakan komponen pengganti yang persis sama.** Hal ini akan membuat keamanan perkakas listrik selalu terjaga.

Peringatan tambahan untuk keamanan perkakas listrik



Peringatan! Peringatan keselamatan tambahan untuk operasi penggerindaan, pengampelasan, penyikatan kawat, pemolesan, atau pemotongan abrasif.

- ◆ **Gunakan pelindung telinga.** Paparan terhadap kebisingan dapat menyebabkan kehilangan pendengaran.
- ◆ **Gunakan gagang pembantu yang disertakan bersama perkakas.** Lepasnya kendali dapat

menimbulkan cedera diri.

◆ **Pegang perkakas listrik pada permukaan pegangan berpenyekat saat melakukan pengoperasian di mana aksesoris pemotong dapat bersentuhan dengan kabel tersembunyi atau kabelnya sendiri.**

Aksesoris pemotong yang bersentuhan dengan kabel bertegangan listrik dapat mengalirkan arus listrik pada komponen logam dari perkakas listrik dan menyebabkan sengatan listrik pada pengguna.

- ◆ Jangan pernah gunakan aksesoris pahat dalam mode putar. Aksesoris akan terjepit dalam material dan memutar bor.
- ◆ Gunakan jepitan atau cara praktis lain untuk mengamankan dan menyangga benda kerja pada landasan yang stabil. Memegang benda dengan tangan atau disandarkan pada tubuh Anda akan membuatnya tidak stabil dan dapat mengakibatkan lepasnya kendali.
- ◆ Sebelum mengebor tembok, lantai, atau langit-langit, periksa dulu penempatan kabel dan pipa.
- ◆ Hindari menyentuh ujung mata bor segera setelah mengebor, karena mungkin panas.
- ◆ Tujuan penggunaan dijelaskan dalam buku petunjuk ini. Penggunaan aksesoris, atau tambahan, atau kinerja operasi apa pun dengan perkakas ini yang tidak sesuai dengan anjuran buku petunjuk ini dapat mendatangkan risiko cedera diri dan/atau kerusakan terhadap barang.

Keselamatan orang lain

- ◆ Peralatan ini tidak ditujukan untuk digunakan oleh orang (termasuk anak-anak) dengan keterbatasan kemampuan fisik, sensor, maupun mental, atau kurang pengalaman maupun pengetahuan, kecuali jika di bawah pengawasan atau menerima petunjuk tentang penggunaan peralatan oleh orang yang bertanggung jawab atas keselamatan mereka.
- ◆ Anak-anak harus diawasi agar mereka tidak bermain-main dengan perkakas ini.

Risiko residual

Risiko-risiko lain dapat timbul saat menggunakan perkakas, yang mungkin tidak tercantum dalam peringatan keselamatan yang disertakan. Risiko-risiko ini dapat diakibatkan oleh penyalahgunaan, penggunaan yang terlalu lama, dsb.

Sekalipun peraturan keselamatan terkait sudah diterapkan dan peralatan pengaman sudah digunakan, risiko-risiko lain tertentu tidak dapat dihindari. Ini meliputi:

- ◆ Cedera yang diakibatkan karena menyentuh komponen yang berputar/bergerak.
- ◆ Cedera yang terjadi saat mengganti komponen, pemotong, atau aksesoris.
- ◆ Cedera yang diakibatkan karena penggunaan perkakas untuk waktu lama. Jika menggunakan perkakas apa pun

untuk waktu yang lama, pastikan Anda mengistirahatkannya secara berkala.

- ◆ Kerusakan indera pendengaran.
- ◆ Bahaya kesehatan yang disebabkan oleh menghirup debu yang ditimbulkan oleh penggunaan perkakas (contoh: mengebor kayu, khususnya kayu oak, beech, dan MDF).

Label pada perkakas

Simbol-simbol berikut ini tertulis pada perkakas:



PERINGATAN! Untuk mengurangi risiko cedera diri, pengguna harus membaca buku petunjuk.

Keselamatan kelistrikan



Perkakas ini berisolasi ganda; oleh sebab itu tidak perlu kabel arde (ground). Selalu periksa apakah catu daya sesuai dengan tegangan yang tercantum pada papan tarif (rating plate).

- ◆ Jika kabel suplai rusak, harus diganti oleh pihak pabrik atau Pusat Layanan Stanley resmi untuk menghindari bahaya.

Menggunakan kabel sambungan

Jika diperlukan menggunakan kabel sambungan, gunakan kabel sambungan yang telah disetujui dan sesuai dengan daya masukan dari perkakas ini (lihat data teknis). Ukuran minimum konduktor adalah 1.5 mm².

Jika menggunakan gulungan kabel, selalu ulur kabel secara penuh Juga mengacu ke tabel di bawah ini .

Ukuran konduktor (mm ²)	Arus kabel (Amperes)					
0.75	6					
1.00	10					
1.50	15					
2.50	20					
4.00	25					
Panjang kabel (m)						
	7.5	15	25	30	45	60
Tegangan	Arus	Arus kabel (Amperes)				
115	0 - 2.0	6	6	6	6	10
	2.1 - 3.4	6	6	6	6	15
	3.5 - 5.0	6	6	10	15	20
	5.1 - 7.0	10	10	15	20	25
	7.1 - 12.0	15	15	20	25	-
230	12.1 - 20.0	20	20	25	-	-
	0 - 2.0	6	6	6	6	6
	2.1 - 3.4	6	6	6	6	6
	3.5 - 5.0	6	6	6	6	10
	5.1 - 7.0	10	10	10	10	15
	7.1 - 12.0	15	15	15	15	20
	12.1 - 20.0	20	20	20	20	25

Fitur

Perkakas ini memiliki beberapa atau semua fitur berikut ini.

1. Saklar kecepatan variabel
2. Tombol pengunci
3. Sakelar maju/mundur (hanya untuk STEL503)
4. Pemilih mode (hanya untuk STEL503)
5. Pegangan perkakas
6. Gagang samping
7. Penghenti kedalaman

Perakitan

Peringatan! Sebelum dirakit, pastikan bahwa alat ini sudah dimatikan dan dicabut dari stopkontak.

Memasang gagang samping

- ◆ Putar pegangan berlawanan arah jarum jam sampai Anda dapat menyelipkan gagang samping (6) ke bagian depan perkakas.
- ◆ Putar gagang samping ke posisi yang diinginkan.
- ◆ Kencangkan gagang samping dengan cara memutar pegangan searah jarum jam.



PERINGATAN! Selalu gunakan perkakas dengan pegangan samping di pasang secara sempurna.

Memasang aksesoris (gambar A)

- ◆ Bersihkan dan minyak tang (8) aksesoris.
- ◆ Tarik lengan (9) ke belakang dan masukkan tang ke dalam penahan perkakas (5).
- ◆ Tekan aksesoris ke bawah dan putar perlahan sampai pas pada lubangnya.
- ◆ Tarik aksesoris untuk memeriksa apakah sudah terkunci dengan benar. Fungsi palu mengharuskan aksesoris untuk dapat bergerak pada poros beberapa sentimeter saat terkunci dalam penahan perkakas.
- ◆ Untuk melepas aksesoris, tarik lengan (9) ke belakang dan tarik penahan perkakas aksesoris.

Penggunaan

Peringatan! Biarkan perkakas bekerja sesuai kecepatannya. Jangan dibebani berlebihan.

Peringatan! Sebelum mengebor tembok, lantai, atau langit-langit, periksa dulu penempatan kabel dan pipa.

Memilih mode operasi (gambar B)

Perkakas dapat digunakan dalam tiga mode operasi. Tekan tombol (10) dan putar pemilih mode bor (4) ke posisi yang dibutuhkan, sebagaimana diindikasikan oleh simbol.

Mengebor

- ◆ Untuk mengebor baja, kayu, dan plastik, setel pemilih mode operasi (4) ke mode posisi **2**.

Pengeboran Palu

- ◆ Untuk pengeboran palu pada batuan dan beton, setel pemilih mode operasi (4) ke posisi **T1**
- ◆ Saat memalu, perkakas tidak boleh sampai memantul dan berfungsi dengan mulus. Tingkatkan kecepatan jika diperlukan.

Pemaluan

- ◆ Untuk memalu dengan kunci kumparan, serta untuk pemahatan dan penyerpihan ringan, setel pemilih mode operasi (4) ke posisi **T**.
- ◆ Pastikan bahwa sakelar maju/mundur terpasang pada posisi maju.
- ◆ Saat mengubah fungsi pengeboran palu ke pemahatan, putar pahat ke posisi yang diinginkan. Jika terasa ada hambatan saat perubahan mode, putar pahat sedikit agar terkait dengan kunci kumparan.

Peringatan! Jika palu Anda adalah unit mode 1 (STEL501), maka palu Anda hanya memiliki 1 fungsi - pengeboran palu. Palu ini tidak dapat memilih mode operasi.

Memilih arah rotasi

Fungsi ini hanya disertakan dalam beberapa model tertentu (STEL503). Untuk mengebor dan memahat, gunakan rotasi maju (searah jarum jam). Untuk melepaskan mata bor yang macet, gunakan rotasi mundur (berlawanan arah jarum jam).

- ◆ Untuk memilih rotasi maju, dorong penggeser maju/mundur (3) ke kiri.
- ◆ Untuk memilih rotasi mundur, dorong penggeser maju/mundur ke kanan.

Peringatan! Jangan pernah mengubah arah rotasi pada saat mesin menyala.

Menyetel kedalaman pengeboran (gambar C)

- ◆ Kendurkan gagang samping (6) dengan cara memutar pegangan berlawanan jarum jam.
- ◆ Setel penghenti kedalaman (7) ke posisi yang diinginkan. Kedalaman pengeboran maksimum sama dengan jarak antara ujung mata bor dan ujung depan penghenti kedalaman.
- ◆ Kencangkan gagang samping dengan cara memutar pegangan searah jarum jam.

Menyalakan dan Mematikan

- ◆ Untuk menyalakan perkakas, tekan sakelar kecepatan variabel (1). Kecepatan perkakas tergantung pada sejauh mana Anda menekan sakelar.

- ◆ Sebagai aturan umum, gunakan kecepatan rendah untuk mata bor berdiameter besar, dan kecepatan tinggi untuk mata bor berdiameter lebih kecil.
- ◆ Untuk operasi terus menerus, tekan tombol pengunci (2) dan lepaskan sakelar kecepatan variabel. Opsi ini hanya dapat digunakan untuk rotasi maju (searah jarum jam).
- ◆ Untuk mematikan perkakas, lepas sakelar kecepatan variabel. Untuk mematikan perkakas saat dalam operasi terus menerus, tekan saklar kecepatan variabel sekali lagi dan lepaskan.

Seandainya suatu hari Anda jumpai produk Stanley Anda butuh diganti, atau tidak lagi berguna bagi Anda, jangan buang perkakas ini bersama limbah rumah tangga biasa. Pisahkan pengumpulan produk ini.



Pisahkan pengumpulan produk dan kemasan bekas agar bahan-bahannya dapat didaur ulang dan digunakan lagi. Penggunaan kembali bahan yang didaur ulang membantu mencegah pencemaran lingkungan dan mengurangi kebutuhan bahan baku.

Undang-undang setempat mungkin memfasilitasi pengumpulan produk-produk elektrik terpisah dari sampah rumah tangga, di tempat pembuangan sampah kota atau oleh pedagang ritel pada saat Anda membeli produk baru

Aksesori

Kinerja perkakas Anda tergantung pada aksesori yang digunakan. Aksesori Stanley dibuat sesuai standar mutu tinggi dan dirancang untuk meningkatkan kinerja perkakas Anda. Dengan menggunakan aksesori tersebut, Anda akan memaksimalkan penggunaan alat Anda.

Perawatan

Perkakas/peralatan listrik berkabel/nirkabel Stanley telah dirancang untuk penggunaan jangka panjang dengan pemeliharaan minimal. Pengoperasian yang memuaskan secara terus-menerus bergantung pada cara pemeliharaan yang layak dan pembersihan perkakas secara teratur.

Peringatan! Sebelum melakukan pemeliharaan apa pun pada perkakas listrik berkabel/nirkabel:

- ◆ Matikan dan cabut peralatan/perkakas.
- ◆ Atau, matikan dan lepaskan baterai dari peralatan/perkakas jika peralatan/perkakas memiliki kemasan baterai terpisah.
- ◆ Atau, jika baterai terintegrasi, kosongkan baterai sama sekali, kemudian matikan.
- ◆ Cabut pengisi daya sebelum membersihkannya. Pengisi daya tidak membutuhkan perawatan lain di luar pembersihan berkala.
- ◆ Bersihkan celah ventilasi pada peralatan/perkakas/pengisi daya secara teratur dengan menggunakan sikat lembut atau lap kering.
- ◆ Bersihkan secara teratur kerangka motor dengan menggunakan kain bersih yang lembap. Jangan gunakan bahan pembersih abrasif atau pembersih berbahan dasar larutan apa pun.
- ◆ Secara berkala, buka dan tepuk-tepuk gagang gerak untuk membersihkan debu dari dalam perkakas (bila dipasang).

Melindungi lingkungan



Pengumpulan terpisah. Produk ini tidak boleh dibuang bersama limbah rumah tangga biasa.

STEL501/503

HAMMER

ข้อมูลทางเทคนิค

		STEL501	STEL503
กำลังไฟเข้า	วัตต์	720	720
ความเร็วขณะไม่มีโหลด	/นาที	0-980	0-980
อัตราการกระแทก	BPM	0-5200	0-5200
แรงกระแทก	จุด	2.0	2.0
โหมดการทำงาน		1	3
ความสามารถสูงสุด	มม.		
- คอนกรีต		22	22
- เหล็ก		-	13
- ไม้		-	30
น้ำหนัก	กก.	2.9	3.0

วัตถุประสงค์ในการใช้งาน

สว่านโรตารี Stanley SDS plus ได้รับการออกแบบมาสำหรับใช้ในการเจาะไม้ โลหะ พลาสติก และปูน รวมถึงการเจาะสกัดเบา

คำแนะนำเพื่อความปลอดภัย**คำเตือนทั่วไปเพื่อความปลอดภัยในการใช้งานเครื่องมือไฟฟ้า**

คำเตือน! อ่านคำเตือนและคำแนะนำด้านความปลอดภัยทั้งหมด หากไม่ปฏิบัติตามคำเตือนและคำแนะนำเหล่านี้ อาจทำให้ถูกไฟดูด เกิดเพลิงไหม้ และ/หรือได้รับบาดเจ็บอย่างร้ายแรงได้

โปรดเก็บรักษาคำเตือนและคำแนะนำนี้ไว้เพื่อใช้อ้างอิงในอนาคต คำว่า “เครื่องมือไฟฟ้า” ในคำเตือนทั้งหมดที่แสดงไว้ข้างล่าง หมายถึงเครื่องมือไฟฟ้า (แบบมีสาย) ที่ทำงานด้วยแหล่งจ่ายไฟหลัก หรือเครื่องมือไฟฟ้า (แบบไร้สาย) ที่ทำงานด้วยแบตเตอรี่

1. ความปลอดภัยในบริเวณที่ทำงาน
- ก. รักษาความสะอาดและจัดให้มีแสงสว่างเพียงพอในบริเวณที่ทำงาน บริเวณที่คับแคบหรือมืดจะทำให้เกิดอุบัติเหตุได้

- ข. ห้ามใช้เครื่องมือไฟฟ้าในบริเวณที่อาจเกิดการระเบิด เช่น ในสถานที่ที่มีช่องเหลว แก๊ส หรือฝุ่นผงที่มีคุณสมบัติไวไฟ เครื่องมือไฟฟ้าจะทำให้เกิดประกายไฟที่อาจทำให้ฝุ่นผงหรือแก๊สติดไฟได้
 - ค. ป้องกันไม่ให้เด็กและบุคคลทั่วไปเดินเข้าไปใกล้กับบริเวณที่มีการใช้งานเครื่องมือไฟฟ้า สิ่งบรเวณอาจทำให้คุณเสียสมาธิและไม่สามารถควบคุมการทำงานของคุณได้
2. ความปลอดภัยทางไฟฟ้า
 - ก. ปลั๊กของเครื่องมือต้องเป็นชนิดเดียวกับเต้ารับ ห้ามดัดแปลงปลั๊กไม่ว่าด้วยวิธีใด ห้ามใช้ตัวแปลงกับเครื่องมือไฟฟ้าที่ต่อสายดิน (ลงกราวด์) ปลั๊กที่ไม่มีการดัดแปลงและเต้ารับชนิดเดียวกันจะช่วยลดความเสี่ยงจากการถูกไฟดูด
 - ข. หลีกเลี่ยงการสัมผัสพื้นผิวที่มีการต่อสายดินหรือลงกราวด์ เช่น ท่อ เครื่องทำความร้อน เตาหุงต้ม และตู้เย็น เนื่องจากจะมีความเสี่ยงสูงขึ้นในการถูกไฟดูดถาวรร่างกายของคุณกลายเป็นสื่อนำไฟฟ้าลงดินหรือกราวด์
 - ค. อย่าให้เครื่องมือไฟฟ้าโดนฝนหรือเปียกน้ำ หากมีน้ำเข้าไปในเครื่องมือไฟฟ้าจะเพิ่มความเสี่ยงในการถูกไฟดูดเพิ่มขึ้น
 - ง. ห้ามใช้สายไฟผิดวัตถุประสงค์ ห้ามขนย้ายเครื่องมือไฟฟ้าโดยการหิ้วที่สายไฟ และห้ามดึงหรือถอดปลั๊กเครื่องมือไฟฟ้าโดยการดึงที่สายไฟ เก็บสายไฟให้ห่างจากความร้อน น้ำมันหล่อลื่น ของมีคม หรือชิ้นส่วนที่เคลื่อนที่ไต่ สายไฟที่ชำรุดหรือพันกันจะทำให้มีโอกาสเสี่ยงมากขึ้นที่จะถูกไฟดูด
 - จ. เมื่อใช้เครื่องมือไฟฟ้านอกอาคาร ให้ใช้สายต่อพ่วงที่เหมาะสมสำหรับการใช้งานนอกอาคาร การใช้สายไฟที่เหมาะสมสำหรับการใช้งานนอกอาคารจะช่วยลดความเสี่ยงในการถูกไฟดูด
 - ฉ. ในกรณีที่จำเป็นต้องใช้งานเครื่องมือไฟฟ้าในบริเวณที่ชื้นแฉะ ให้ใช้อุปกรณ์ตัดกระแสไฟ (RCD) การใช้ RCD จะช่วยลดความเสี่ยงจากการถูกไฟดูด
 3. ความปลอดภัยส่วนบุคคล
 - ก. สิ้นตัว ระเบิดระงับกับสิ่งที่คุณกำลังทำ และใช้สามัญสำนึกในการตัดสินใจขณะที่ใช้งานเครื่องมือไฟฟ้า ห้ามใช้เครื่องมือไฟฟ้าในขณะที่คุณเหนื่อยล้าหรือได้รับอิทธิพลจากยา แอลกอฮอล์ หรือการรักษาใดๆ การใช้งานเครื่องมือไฟฟ้าโดยขาดความระมัดระวังแม้เพียงชั่วขณะหนึ่งก็อาจทำให้ได้รับบาดเจ็บสาหัสได้
 - ข. ใช้อุปกรณ์ป้องกันร่างกาย สวมอุปกรณ์ป้องกันดวงตาเสมอ การสวมอุปกรณ์ป้องกัน เช่น หน้ากากกันฝุ่น

รองเท่านั้นรภัยกันสั้น หมวกนิรภัย หรืออุปกรณ์ป้องกัน
เสียง อย่างถูกต้องเหมาะสมจะช่วยลดความรุนแรงของ
อาการบาดเจ็บได้

- ค. ต้องป้องกันไม่ให้เครื่องมือเปิดทำงานโดยไม่ได้ตั้งใจ
สวิตช์ต้องอยู่ในตำแหน่งปิด ก่อนที่จะเสียบปลั๊กไฟ
และ/หรือเชื่อมต่อกับชุดแบตเตอรี่ หรือก่อนที่จะยก
หรือขนย้ายเครื่องมือ การยกเครื่องมือไฟฟ้าในขณะที่
นิ้วอยู่ที่ปุ่มสวิตช์ หรือเชื่อมต่อเครื่องมือไฟฟ้าเข้ากับ
แหล่งจ่ายไฟในขณะที่สวิตช์ของเครื่องมือเปิดอยู่ อาจทำให้
เกิดอุบัติเหตุได้
 - ง. ถอดกุญแจปรับหรือประแจออกก่อนที่จะเปิดสวิตช์
เครื่องมือไฟฟ้า ประแจหรือกุญแจที่เสียบค้างอยู่ใน
ชิ้นส่วนที่หมุนได้ของเครื่องมือไฟฟ้าอาจทำให้ผู้ได้รับ
บาดเจ็บได้
 - จ. ห้ามยืนเขย่งเท้าขณะใช้งานเครื่องมือ ควรยืนในท่าที่
เหมาะสมและสมดุลตลอดเวลา ซึ่งจะช่วยให้สามารถ
ควบคุมเครื่องมือไฟฟ้าได้ดีขึ้นหากเกิดสถานการณ์ที่
ไม่คาดคิด
 - ฉ. แต่งกายให้เหมาะสม ห้ามสวมเสื้อผ้าที่หลวมหรือใส่
เครื่องประดับ รวบผม ชายเสื้อ และถุงมือให้ห่างจาก
ชิ้นส่วนที่กำลังหมุน เสื้อผ้าที่หลวมหรือยาวรวมถึง
เครื่องประดับ หรือผมที่ยาวอาจเข้าไปพันกับชิ้นส่วน
ที่กำลังหมุนได้
 - ช. หากมีอุปกรณ์สำหรับดูดและเก็บฝุ่น ต้องตรวจสอบให้
แน่ใจว่าได้เชื่อมต่อและใช้งานอุปกรณ์นั้นอย่างเหมาะสม
การใช้อุปกรณ์เก็บฝุ่นจะช่วยลดอันตรายที่เกี่ยวข้องกับฝุ่น
ได้
4. การใช้งานและการดูแลรักษาเครื่องมือไฟฟ้า
- ก. ห้ามฝืนใช้งานเครื่องมือไฟฟ้า ให้เลือกใช้เครื่องมือ
ไฟฟ้าที่เหมาะสมและตรงกับการใช้งานของคุณ
เครื่องมือไฟฟ้าที่เหมาะสมกับงานจะสามารถทำงาน
ได้ดีกว่าและปลอดภัยกว่าตามลักษณะของเครื่องมือที่
ถูกออกแบบมา
 - ข) ห้ามใช้เครื่องมือไฟฟ้าถ้าสวิตช์เปิดปิดเครื่องไม่ทำงาน
เครื่องมือไฟฟ้าที่ไม่สามารถใช้สวิตช์ควบคุมได้ ถือว่ามี
อันตรายและต้องส่งซ่อม
 - ค) ถอดปลั๊กของเครื่องมือไฟฟ้าออกจากแหล่งจ่ายไฟและ/
หรือแบตเตอรี่ก่อนทำการปรับแต่ง เปลี่ยนอุปกรณ์เสริม
หรือจัดเก็บ มาตรการความปลอดภัยเชิงป้องกันนี้จะช่วย
ลดความเสี่ยงที่จะทำให้เครื่องเปิดทำงานโดยไม่ได้ตั้งใจ
 - ง. เก็บเครื่องมือไฟฟ้าที่ไม่ได้ใช้งานไว้ให้พ้นมือเด็ก และ

ไม่ควรอนุญาตให้บุคคลที่ไม่คุ้นเคยกับเครื่องมือไฟฟ้า
หรือไม่ทราบถึงคำแนะนำเหล่านี้ นำเครื่องมือไฟฟ้าไป
ใช้งาน เครื่องมือไฟฟ้าจะเป็นอันตรายหากอยู่ในมือผู้ใช้
ที่ไม่ได้ผ่านการฝึกอบรม

- จ. ดูแลรักษาเครื่องมือไฟฟ้า ตรวจสอบชิ้นส่วนที่เคลื่อนที่
ได้เพื่อหาส่วนที่ไม่ตรงตำแหน่งหรือติดขัด ชิ้นส่วนที่
แตกหัก รวมถึงสภาพอื่นๆ ที่อาจส่งผลกระทบต่อการทำงาน
ของเครื่องมือไฟฟ้า หากเครื่องมือไฟฟ้าชำรุด ควรทำ
การซ่อมก่อนที่จะนำมาใช้งาน อุบัติเหตุจำนวนมากเกิด
ขึ้นเนื่องจากเครื่องมือไฟฟ้าไม่ได้รับการดูแลรักษาอย่าง
ถูกต้อง
 - ฉ) เครื่องมือตัดต้องคมและสะอาดอยู่เสมอ เครื่องมือตัด
ที่ได้รับการดูแลรักษาอย่างถูกต้องและมีขอบตัดคม จะมี
ปัญหาติดขัดน้อย และความคมได้ง่ายกว่า
 - ช) ใช้เครื่องมือไฟฟ้า อุปกรณ์เสริม และดอกสว่าน ฯลฯ
ตามคำแนะนำเหล่านี้ โดยพิจารณาถึงสภาพการทำงาน
และงานที่ทำเป็นสำคัญ การใช้เครื่องมือไฟฟ้าทำงานอื่น
นอกเหนือจากที่กำหนดไว้อาจทำให้เกิดอันตรายได้
5. การบริการ
- ก) การซ่อมเครื่องมือไฟฟ้าต้องดำเนินการโดยช่างซ่อม
ที่มีความเชี่ยวชาญ และใช้อะไหล่แท้เท่านั้น เพื่อเป็น
การรับประกันถึงความปลอดภัยของเครื่องมือไฟฟ้า

คำเตือนเพื่อความปลอดภัยเพิ่มเติม สำหรับการใช้เครื่องมือไฟฟ้า



คำเตือน! คำเตือนด้านความปลอดภัยเพิ่มเติม
สำหรับการเจียร การขัด การขัดแปรงลวด
การบัดเงา หรือการตัดวัสดุด้วยการกัดกร่อน

- ◆ สวมอุปกรณ์ป้องกันหู การได้ยินเสียงดังมากๆ อาจทำให้
สูญเสียความสามารถในการได้ยิน
- ◆ ใช้มือจับเสริมที่ใหม่พร้อมับเครื่อง การสูญเสียการ
ควบคุมเครื่องมืออาจทำให้ได้รับบาดเจ็บได้
- ◆ ในการใช้งานเครื่องมือไฟฟ้า ให้จับที่บริเวณส่วนมือจับ
ซึ่งมีการหุ้มฉนวนเอาไว้ เนื่องจากเครื่องมือตัดอาจสัมผัส
โค่นสายไฟที่ซ่อนอยู่หรือสายไฟของตัวเองได้
เมื่อเครื่องมือตัดสัมผัสกับสายไฟที่ "มีไฟฟ้าไหลผ่าน"
จะทำให้ชิ้นส่วนที่เป็นโลหะของเครื่องมือไฟฟ้า "มีไฟฟ้า
ไหลผ่าน" และทำให้ผู้ทำงานถูกไฟดูดได้
- ◆ ห้ามใช้อุปกรณ์เสริมที่เป็นดอกสว่านในโหมดเจาะหมุน

อุปกรณ์เสริมนี้จะเข้าไปติดในวัสดุชิ้นงานและทำให้ตัวสว่านหมุน

- ◆ ใช้ตัวจับชิ้นงานหรือจับยึดด้วยวิธีอื่นๆ ที่เหมาะสมเพื่อยึดและหมุนชิ้นงานบนแท่นที่มั่นคง การจับชิ้นงานด้วยมือหรือให้ชิ้นงานพิงกับลำตัวจะไม่มั่นคงและอาจไม่สามารถควบคุมการทำงานได้
- ◆ ก่อนเจาะผนัง พื้น หรือเพดาน ให้ตรวจสอบตำแหน่งสายไฟและท่อน้ำ
- ◆ หลีกเลี่ยงการสัมผัสปลายดอกสว่านหลังจากการเจาะเสร็จทันทีเนื่องจากดอกสว่านอาจมีความร้อน
- ◆ วัตถุประสงค์ในการใช้งานได้อธิบายไว้ในคู่มือแนะนำการใช้งานฉบับนี้ การใช้งานอุปกรณ์เสริมหรืออุปกรณ์ต่อพ่วงหรือการใช้งานอื่นใดกับเครื่องมือนี้ นอกเหนือจากที่ได้แนะนำไว้ในคู่มือการใช้งานนี้ อาจเสี่ยงต่อการได้รับบาดเจ็บ และ/หรือเกิดความเสียหายต่อทรัพย์สินได้

- ◆ อันตรายต่อสุขภาพที่เกิดจากการสูดดมฝุ่นที่เกิดขึ้นในขณะที่ใช้งานเครื่องมือ (ตัวอย่าง:- การทำงานกับไม้ โดยเฉพาะไม้โอ๊ค ไม้บีช และ MDF)

ป้ายสัญลักษณ์บนอุปกรณ์

สัญลักษณ์ต่อไปนี้จะปรากฏบนเครื่องมือ:



คำเตือน! เพื่อลดความเสี่ยงที่จะได้รับบาดเจ็บ ผู้ใช้จะต้องอ่านคู่มือแนะนำการใช้งานอุปกรณ์

ความปลอดภัยทางไฟฟ้า



เครื่องมือนี้มีฉนวนสองชั้น ดังนั้นจึงไม่จำเป็นต้องต่อสายดิน ต้องตรวจสอบแรงดันไฟฟ้าของแหล่งจ่ายไฟให้ตรงกับแรงดันไฟฟ้าบนแผ่นแสดงข้อมูลเสมอ

- ◆ ถ้าสายไฟของเครื่องมือชำรุด ต้องเปลี่ยนสายไฟใหม่โดยผู้ผลิตหรือศูนย์บริการของ Stanley ที่ได้รับอนุญาตแล้ว เพื่อหลีกเลี่ยงอันตรายที่อาจเกิดขึ้น

การใช้สายไฟต่อพ่วง

หากจำเป็นต้องใช้สายไฟต่อพ่วง ให้ใช้เฉพาะสายพ่วงที่เหมาะสมกับกำลังไฟด้านเข้าของเครื่องมือรุ่นนี้เท่านั้น (ดูในข้อมูลทางเทคนิค) พื้นที่หน้าตัดของลวดตัวนำต้องมีขนาดอย่างน้อย 1.5 ตร.มม.

เมื่อใช้สายไฟแบบตีลม้วน ให้ดึงสายไฟออกมาจนสุดทุกครั้ง. นอกจากนี้ ให้ดูตารางด้านล่างนี้ประกอบ.

ขนาดสายไฟ (ตร.มม)	พื้นที่ของสายไฟ(แอมป์)						
0.75	6						
1.00	10						
1.50	15						
2.50	20						
4.00	25						
ความยาวของสายไฟ (ม.)							
7.5	15 25 30 45 60						
แรงดันไฟฟ้า	แอมแปร์	พื้นที่ของสายไฟ(แอมป์)					
115	0 - 2.0	6	6	6	6	10	
	2.1 - 3.4	6	6	6	6	15 15	
	3.5 - 5.0	6	6	10	15	20 20	
	5.1 - 7.0	10	10	15	20	20 25	
	7.1 - 12.0	15	15	20	25	25 -	
230	12.1 - 20.0	20	20	25	-	-	
	0 - 2.0	6	6	6	6	6 6	
	2.1 - 3.4	6	6	6	6	6 6	
	3.5 - 5.0	6	6	6	6	10 15	
	5.1 - 7.0	10	10	10	10	15 15	
230	7.1 - 12.0	15	15	15	15	20 20	
	12.1 - 20.0	20	20	20	20	25 -	

ความปลอดภัยของบุคคลอื่น

- ◆ เครื่องมือนี้ไม่ได้มีไว้เพื่อการใช้งานโดยบุคคล (ซึ่งรวมถึงผู้เยาว์) ที่มีความบกพร่องทางกายภาพ ทางการรับรู้หรือทางสติปัญญา หรือบุคคลซึ่งขาดประสบการณ์และความรู้ เว้นเสียแต่จะได้รับการควบคุมดูแลหรือคำแนะนำการใช้งานเครื่องมือจากผู้ที่ได้รับผิดชอบต่อความปลอดภัยของบุคคลดังกล่าว
- ◆ เด็กต้องได้รับการดูแลเพื่อให้แน่ใจว่าเด็กจะไม่สามารถนำเครื่องมือมาเล่นได้

อันตรายอื่นๆ

เมื่อใช้งานเครื่องมือนี้ อาจมีความเสี่ยงที่จะเกิดอันตรายอื่นๆ ซึ่งอาจไม่ได้รับรู้ไว้ในคำเตือนเพื่อความปลอดภัยที่แนบมากับเครื่องมือ อันตรายดังกล่าวอาจเกิดจากการใช้งานที่ไม่ถูกต้อง การใช้งานเป็นเวลานาน เป็นต้น แม้ว่าจะได้ปฏิบัติตามข้อกำหนดด้านความปลอดภัยที่เกี่ยวข้องและใช้อุปกรณ์นิรภัยแล้ว แต่ก็ยังมีความเสี่ยงที่จะเกิดอันตรายบางอย่างขึ้นได้เช่นกัน อันตรายเหล่านั้นได้แก่:

- ◆ การบาดเจ็บที่เกิดจากการสัมผัสชิ้นส่วนที่กำลังหมุน/เคลื่อนที่
- ◆ การบาดเจ็บที่เกิดขึ้นขณะเปลี่ยนอะไหล่ ใบมีด หรืออุปกรณ์เสริม
- ◆ การบาดเจ็บที่เกิดจากการใช้งานเครื่องมือเป็นระยะเวลานาน เมื่อต้องใช้งานเครื่องมืออย่างต่อเนื่องเป็นระยะเวลานาน ควรมีการหยุดพักเป็นระยะ
- ◆ ความบกพร่องในการได้ยิน

ส่วนต่างๆ ของเครื่องมือ

เครื่องมือนี้ประกอบด้วยชิ้นส่วนดังต่อไปนี้ โดยอาจมีเพียงบางรายการหรือมีทั้งหมดก็ได้

1. สวิตช์ปรับระดับความเร็ว
2. ปุ่มล็อค
3. สวิตช์เดินหน้า/ถอยหลัง (เฉพาะรุ่น STEL503)
4. ปุ่มเลือกโหมดการทำงาน (เฉพาะรุ่น STEL503)
5. ตัวยึดเครื่องมือ
6. มือจับเสริมด้านข้าง
7. ตัวปรับความลึก

การประกอบ

คำเตือน! ก่อนประกอบเครื่องมือ ต้องตรวจสอบให้แน่ใจว่าได้ปิดสวิตช์เครื่องมือและถอดปลั๊กไฟแล้ว

ใส่มือจับเสริมด้านข้าง

- ◆ หมุนที่ยึดทวนเข็มนาฬิกาจนกระทั่งสามารถเลื่อนมือจับเสริม (6) ไปทางด้านหน้าของเครื่องมือได้
- ◆ หมุนมือจับเสริมไปยังตำแหน่งที่ต้องการ
- ◆ ยึดมือจับเสริมให้อยู่กับที่โดยหมุนที่ยึดตามเข็มนาฬิกา



ใช้เครื่องมือที่ประกอบตามจับด้านข้างอย่างถูกต้องทุกครั้ง

ใส่ดอกสว่าน (รูป A)

- ◆ ทำความสะอาดและทาสารหล่อลื่นที่ก้าน (8) ของดอกสว่าน
- ◆ ดึงปลอกหุ้ม (9) ไปด้านหลังและเสียบก้านของดอกสว่านเข้าไปในตัวยึดเครื่องมือ (5)
- ◆ กดดอกสว่านเข้าไปและค่อยๆ หมุนดอกสว่านจนกระทั่งเข้าพอดีในช่อง
- ◆ ลองดึงดอกสว่านออกเพื่อตรวจสอบว่าดอกสว่านล็อคอยู่ในตำแหน่งอย่างถูกต้องแล้ว สำหรับฟังก์ชันการดอกสว่านต้องสามารถเคลื่อนตามแนวแกนได้หลายเซนติเมตรเมื่อล็อคอยู่ในตัวจับเครื่องมือ
- ◆ ในการถอดดอกสว่าน ให้ดึงปลอกหุ้ม (9) ไปด้านหลังแล้วดึงดอกสว่านออกจากตัวยึดเครื่องมือ

การใช้งาน

คำเตือน! ปล่อยให้เครื่องมือทำงานตามความเร็วของเครื่องห้ามใช้งานเกินโหลดที่เหมาะสม

คำเตือน! ก่อนเจาะผนัง พื้น หรือเพดาน ให้ตรวจสอบตำแหน่งสายไฟและท่อน้ำ

การเลือกโหมดการทำงาน (รูป B)

เครื่องมือนี้มีโหมดการทำงานให้เลือกสามโหมด กดปุ่ม (10) และหมุนปุ่มเลือกโหมดการเจาะ (4) ที่ต้องการ โดยดูจากสัญลักษณ์ที่แสดงบนตัวเครื่องมือ

การเจาะ

- ◆ สำหรับการเจาะเหล็ก ไม้ และพลาสติก ให้หมุนปุ่มเลือกโหมดการทำงาน (4) ไปที่ตำแหน่ง **2**

การเจาะกระแทก

- ◆ สำหรับการเจาะกระแทกพื้นผิวปูนหรือคอนกรีต ให้หมุนปุ่มเลือกโหมดการทำงาน (4) ไปที่ตำแหน่ง **T1**
- ◆ เมื่อใช้โหมดเจาะกระแทก เครื่องมือต้องไม่กระดอนและต้องทำงานอย่างราบรื่น ถ้าจำเป็น สามารถเพิ่มความเร็วได้

การกระแทก

- ◆ สำหรับการกระแทกโดยใช้ตัวล็อคแกนหมุน รวมทั้งการสกัดเบาและการกระแทะ ให้หมุนปุ่มเลือกโหมดการทำงาน (4) ไปที่ตำแหน่ง **T**
- ◆ สวิตช์เดินหน้า/ถอยหลัง ต้องอยู่ที่ตำแหน่งเดินหน้า
- ◆ เมื่อเปลี่ยนโหมดการทำงานจากการเจาะกระแทกเป็นการสกัด ให้หมุนดอกสกัดไปยังตำแหน่งที่ต้องการ ถ้ารู้สึกว่ามีแรงต้านในระหว่างที่ทำการเปลี่ยนโหมดการทำงาน ให้หมุนดอกสกัดเล็กน้อยให้เข้าที่ในตัวล็อคแกนหมุน

คำเตือน! ถ้าเครื่องมือของคุณเป็นแบบ 1 โหมด (STEL501) จะมีเพียงฟังก์ชันเดียวคือการเจาะกระแทก และไม่สามารถเลือกโหมดการทำงานได้

การเลือกทิศทางการหมุน

ฟังก์ชันนี้จะมีเฉพาะในบางรุ่นเท่านั้น (STEL503) สำหรับการเจาะและการสกัด ให้ใช้การหมุนไปข้างหน้า (ตามเข็มนาฬิกา) สำหรับการถอนดอกสว่านที่ติด ให้ใช้การหมุนย้อนกลับ (ทวนเข็มนาฬิกา)

- ◆ ถ้าต้องการเลือกให้หมุนไปด้านหลัง ให้ดันปุ่มเลื่อนเดินหน้า/ถอยหลัง (3) ไปทางซ้าย
- ◆ ถ้าต้องการเลือกให้หมุนย้อนกลับ ให้ดันปุ่มเลื่อนเดินหน้า/ถอยหลังไปทางขวา

คำเตือน! ห้ามเปลี่ยนทิศทางการหมุนขณะที่มอเตอร์กำลัง

ทำงานโดยเด็ดขาด

การปรับตั้งความลึกของการเจาะ (รูป C)

- ◆ คลายมือจับเสริมด้านข้าง (6) โดยหมุนที่ยึดทวนเข็มนาฬิกา
- ◆ เลื่อนตัวปรับความลึก (7) ไปยังตำแหน่งที่ต้องการ ความลึกในการเจาะสูงสุดจะเท่ากับระยะห่างระหว่างปลายดอกสว่านกับส่วนหน้าสุดของตัวปรับความลึก
- ◆ ยึดมือจับเสริมให้อยู่กับที่โดยหมุนที่ยึดตามเข็มนาฬิกา

การเปิดและปิดเครื่องมือ

- ◆ เมื่อต้องการเปิดสวิตช์เครื่องมือ ให้กดสวิตช์ปรับระดับความเร็ว (1) ความเร็วของเครื่องมือจะขึ้นอยู่กับความลึกของสวิตช์ที่คุณกดลงไป
- ◆ ตามหลักการโดยทั่วไป จะใช้ความเร็วต่ำกับดอกสว่านที่มีเส้นผ่าศูนย์กลางขนาดใหญ่ และใช้ความเร็วสูงกับดอกสว่านที่มีเส้นผ่าศูนย์กลางเล็ก
- ◆ สำหรับการใช้งานอย่างต่อเนื่อง ให้กดปุ่มลัด (2) และปล่อยสวิตช์ปรับระดับความเร็ว ออปชั่นนี้จะใช้ได้เฉพาะการหมุนไปข้างหน้า (ตามเข็มนาฬิกา) เท่านั้น
- ◆ เมื่อต้องการปิดสวิตช์เครื่องมือ ให้ปล่อยสวิตช์ปรับระดับความเร็ว เมื่อต้องการเปิดสวิตช์เครื่องมือในระหว่างการใช้งานแบบต่อเนื่อง ให้กดสวิตช์ปรับระดับความเร็วอีกครั้งแล้วปล่อย

อุปกรณ์เสริม

สมรรถนะของเครื่องมือของคุณขึ้นอยู่กับอุปกรณ์เสริมที่ใช้ อุปกรณ์เสริมของ Stanley ได้รับการออกแบบทางวิศวกรรมให้มีมาตรฐานคุณภาพสูง และเพิ่มสมรรถนะของเครื่องมือของคุณ เมื่อใช้อุปกรณ์เสริมเหล่านี้ คุณจะสามารถใช้เครื่องมือของคุณได้อย่างมีประสิทธิภาพสูงสุด

การบำรุงรักษา

เครื่องมือแบบมีสาย/ไร้สายของ Stanley ได้รับการออกแบบมาเพื่อให้สามารถใช้งานได้นานอย่างต่อเนื่องโดยมีการบำรุงรักษาที่น้อยที่สุด การทำงานในระดับที่สามารถสร้างความพึงพอใจได้อย่างต่อเนื่องจะขึ้นอยู่กับ การดูแลรักษาเครื่องมือที่เหมาะสมและการทำความสะอาดอย่างสม่ำเสมอ

คำเตือน! ก่อนทำการบำรุงรักษาเครื่องมือไฟฟ้าแบบมีสาย/ไร้สาย:

- ◆ ให้ปิดสวิตช์เครื่องมือและถอดปลั๊กเครื่องมือ
- ◆ หรือปิดสวิตช์และถอดแบตเตอรี่ออกจากเครื่องมือ (ถ้าเครื่องมือมีชุดแบตเตอรี่แยกต่างหาก)
- ◆ หรือใช้แบตเตอรี่จนหมด (ถ้าเครื่องมือมีแบตเตอรี่ในตัว) จากนั้นให้ปิดสวิตช์เครื่องมือ
- ◆ ถอดปลั๊กเครื่องชาร์จก่อนที่จะทำความสะอาดเครื่องชาร์จ เครื่องชาร์จไม่จำเป็นต้องมีขั้นตอนการดูแลรักษาเป็นพิเศษ นอกเหนือไปจากการทำความสะอาดตามปกติ
- ◆ ทำความสะอาดของระบยาอากาศของเครื่องมือและเครื่องชาร์จเป็นประจำโดยใช้แปรงขนอ่อนหรือผ้าแห้ง
- ◆ ทำความสะอาดมอเตอร์เป็นประจำโดยใช้ผ้าขนน้ำบิดหมาด ห้ามใช้น้ำยาทำความสะอาดที่มีฤทธิ์กัดกร่อน หรือมีส่วนผสมของตัวทำละลาย
- ◆ เปิดตัวจับดอกสว่านออกมาเคาะเป็นประจำเพื่อกำจัดฝุ่นที่ติดอยู่ในตัวจับ (ขณะที่ยึดติดอยู่กับเครื่องมือ)

การปกป้องสิ่งแวดล้อม



การเก็บรวบรวมแบบคัดแยก ห้ามทิ้งผลิตภัณฑ์นี้ร่วมกับขยะในครัวเรือนทั่วๆ ไป

เมื่อถึงเวลาที่ต้องเปลี่ยนเครื่องมือ Stanley ของคุณใหม่ หรือไม่จำเป็นต้องใช้เครื่องมือนี้อีก อย่าทิ้งผลิตภัณฑ์นี้ร่วมกับขยะในครัวเรือน โปรดจัดการกับผลิตภัณฑ์นี้เพื่อการเก็บรวบรวมแบบคัดแยก



การเก็บรวบรวมแบบคัดแยกสำหรับบรรจุภัณฑ์และผลิตภัณฑ์ที่ใช้แล้วทำให้สามารถรีไซเคิลวัสดุและนำมาใช้งานได้อีกครั้ง การนำวัสดุรีไซเคิลมาใช้นั้น จะช่วยป้องกันมลพิษต่อสิ่งแวดล้อมและลดปริมาณการใช้วัตถุดิบลง

ตามกฎหมายท้องถิ่นอาจมีการจัดเตรียมสถานที่สำหรับการเก็บรวบรวมแบบคัดแยกอุปกรณ์ไฟฟ้าที่ใช้ภายในครัวเรือนไว้ ณ จุดรับขยะของเทศบาล หรือผู้ค้าปลีกอาจรับคืนอุปกรณ์ใช้แล้วเมื่อคุณซื้อผลิตภัณฑ์ชิ้นใหม่

STEL501/503 MÁY KHOAN BÚA

Thông số kỹ thuật

Hammer		STEL501	STEL503
Công suất đầu vào	W	720	720
Tốc độ không tải	/phút	0-980	
0-980			
Tỷ số nén	Lần/phút	0-5200	
0-5200			
Lực đập	J	2,0	2,0
Chế độ		1	3
Công suất tối đa	mm		
- Bê tông		22	22
- Thép		-	13
- Gỗ		-	30
Trọng lượng	kg	3,0	3,0

Mục đích sử dụng

Máy khoan búa xoay Stanley đầu gài SDS plus được thiết kế để khoan gỗ, kim loại, nhựa và tường, bê tông cũng như sử dụng vào việc cắt đục.

Hướng dẫn an toàn

Cảnh báo chung về an toàn các dụng cụ điện cầm tay



CẢNH BÁO! Đọc tất cả các cảnh báo và hướng dẫn về an toàn. Việc không tuân theo các cảnh báo và hướng dẫn được liệt kê dưới đây có thể gây giật điện, cháy nổ và/hoặc chấn thương nghiêm trọng.

Giữ lại tất cả các cảnh báo và hướng dẫn để tham khảo về sau. Thuật ngữ “dụng cụ điện cầm tay” trong phần cảnh báo chỉ thiết bị chạy bằng điện nguồn (có dây điện) hoặc thiết bị chạy bằng pin (không có dây điện).

1. An toàn tại nơi làm việc

- Đảm bảo nơi làm việc luôn sạch sẽ và đủ ánh sáng.** Những khu vực bừa bộn hoặc thiếu ánh sáng dễ gây tai nạn.

- Không vận hành dụng cụ điện cầm tay trong các môi trường dễ cháy nổ, như các môi trường có chất lỏng dễ cháy, khí ga hoặc bụi.** Dụng cụ điện cầm tay tạo ra các tia lửa điện có thể gây cháy bụi hoặc bốc khói.
- Không cho trẻ em và những người không liên quan lại gần khi đang vận hành dụng cụ điện cầm tay.** Những lúc xao lãng có thể khiến bạn mất kiểm soát.

2. An toàn điện

- Phích cắm của dụng cụ điện cầm tay phải vừa với ổ cắm.** Không được sửa đổi phích cắm dưới bất kỳ hình thức nào. Không được sử dụng các phích cắm tiếp hợp với những dụng cụ điện cầm tay có nối đất. Phích cắm không sửa chữa và ổ cắm phù hợp sẽ giảm nguy cơ bị điện giật.
- Tránh tiếp xúc với các bề mặt được nối đất như đường ống, lò sưởi, bếp nướng và tủ lạnh.** Nguy cơ bị điện giật sẽ cao hơn nếu cơ thể bạn nối đất.
- Không được để các dụng cụ điện cầm tay ở ngoài mưa hoặc nơi ẩm ướt.** Nước vào trong dụng cụ điện cầm tay sẽ làm tăng nguy cơ bị điện giật.
- Không được dùng dây điện cho các mục đích khác.** Tuyệt đối không sử dụng dây điện để mang, kéo hoặc rút phích cắm dụng cụ điện cầm tay. Giữ dây điện cách xa nguồn nhiệt, dầu mỡ, các cạnh sắc hoặc các bộ phận chuyển động. Dây điện bị hỏng hoặc bị vướng sẽ làm tăng nguy cơ bị điện giật.
- Khi vận hành dụng cụ điện cầm tay ngoài trời, hãy sử dụng dây nối dài phù hợp để sử dụng ngoài trời.** Sử dụng dây điện phù hợp để sử dụng ngoài trời sẽ giảm nguy cơ bị điện giật.
- Nếu bắt buộc phải vận hành dụng cụ điện cầm tay ở nơi ẩm ướt, hãy sử dụng nguồn được bảo vệ bởi thiết bị ngắt mạch tự động (RCD).** Sử dụng RCD giảm nguy cơ bị điện giật.

3. An toàn cá nhân

- Hãy tập trung, chú ý vào những gì bạn đang làm và tỉnh táo khi vận hành dụng cụ điện cầm tay.** Không được sử dụng dụng cụ điện cầm tay khi bạn đang mệt hoặc uống rượu bia, sử dụng ma túy hoặc chất kích thích. Một khoảnh khắc mất tập trung trong khi vận hành dụng cụ điện cầm tay có thể dẫn đến chấn thương cá nhân nghiêm trọng.
- Sử dụng trang bị bảo hộ cá nhân.** Luôn đeo

Kính bảo hộ. Thiết bị bảo hộ như mặt nạ chống bụi, giày chống trượt, mũ cứng, hoặc bảo vệ tai nếu được sử dụng ở những điều kiện phù hợp sẽ giảm các chấn thương cá nhân.

- c. **Tránh bật máy không chủ định. Đảm bảo rằng công tắc ở vị trí tắt trước khi nối với nguồn điện và/hoặc pin, khi cắm hoặc mang dụng cụ.** Việc cắm dụng cụ điện cầm tay khi ngón tay đặt vào công tắc hoặc sạc pin cho dụng cụ điện cầm tay khi công tắc đang bật có thể gây tai nạn.
- d. **Hãy tháo hết khóa điều chỉnh hoặc cờ lê trước khi bật dụng cụ điện cầm tay.** Cờ lê hoặc khóa vẫn để ở bộ phận quay của dụng cụ điện cầm tay có thể dẫn đến chấn thương cá nhân.
- e. **Không được với tay. Hãy luôn luôn đứng đúng tư thế và giữ thăng bằng.** Điều đó giúp kiểm soát dụng cụ điện cầm tay tốt hơn ở các tình huống không lường trước.
- f. **Mặc quần áo phù hợp. Không mặc quần áo rộng hoặc đeo đồ trang sức. Giữ cho tóc, quần áo và găng tay tránh xa khỏi các bộ phận chuyển động.** Quần áo rộng, đồ trang sức hoặc tóc dài có thể bị mắc vào các bộ phận chuyển động.
- g. **Nếu các dụng cụ được cung cấp để nối các phương tiện hút hoặc gom bụi, hãy đảm bảo những dụng cụ này được nối và sử dụng đúng cách.** Sử dụng thiết bị gom bụi có thể giảm các nguy cơ liên quan đến bụi.

4. Sử dụng và bảo quản thiết bị điện

- a. **Sử dụng dụng cụ điện cầm tay phù hợp. Sử dụng dụng cụ điện cầm tay phù hợp cho ứng dụng của bạn.** Dụng cụ điện cầm tay phù hợp sẽ giúp cho công việc tốt hơn và an toàn hơn theo đúng tốc độ được thiết kế.
- b. **Không sử dụng dụng cụ điện cầm tay nếu công tắc không bật và tắt được.** Những dụng cụ điện cầm tay không điều khiển được bằng công tắc đều rất nguy hiểm và cần phải được sửa chữa.
- c. **Rút phích cắm dụng cụ điện cầm tay khỏi nguồn điện và/hoặc pin trước khi thực hiện các điều chỉnh, thay đổi phụ kiện hoặc cất giữ dụng cụ.** Các biện pháp an toàn phòng ngừa đó giúp giảm nguy cơ khởi động dụng cụ điện cầm tay một cách tình cờ.
- d. **Bảo quản các dụng cụ điện cầm tay không sử dụng tránh xa tầm tay trẻ em và không cho phép những người không quen với dụng cụ điện cầm tay hoặc những hướng dẫn này vận hành dụng cụ điện cầm tay.** Dụng cụ điện cầm tay sẽ rất nguy hiểm khi được sử

dụng bởi những người chưa được huấn luyện.

- e. **Bảo trì dụng cụ điện cầm tay. Kiểm tra các bộ phận di chuyển xem có bị lấp lách hoặc kẹt không, các bộ phận có bị vỡ không và bất kỳ tình trạng nào khác có thể ảnh hưởng đến việc vận hành dụng cụ điện cầm tay. Nếu dụng cụ điện cầm tay bị hỏng, hãy sửa chữa trước khi sử dụng.** Rất nhiều tai nạn là do các dụng cụ điện cầm tay được bảo trì kém.
- f. **Đảm bảo các dụng cụ cắt luôn sắc và sạch sẽ.** Các dụng cụ cắt được bảo trì đúng cách với các cạnh cắt sắc sẽ ít bị kẹt hơn và dễ điều khiển hơn.
- g. **Sử dụng dụng cụ điện cầm tay, các phụ kiện và mũi khoan... theo các chỉ dẫn này, chú ý đến điều kiện làm việc và công việc cần thực hiện.** Việc sử dụng dụng cụ điện cầm tay cho các mục đích khác có thể dẫn đến tình huống nguy hiểm.

5. Bảo dưỡng

- a. **Hãy mang dụng cụ điện cầm tay đến nhân viên bảo dưỡng có chuyên môn để bảo dưỡng, chỉ sử dụng các phụ kiện thay thế chính hãng.** Điều này giúp duy trì mức độ an toàn của dụng cụ điện cầm tay.

Cảnh báo khác về an toàn dụng cụ điện cầm tay



Cảnh báo! Cảnh báo an toàn bổ sung việc dừng vận hành do bụi, cát, dây bị đứt, chát đánh bóng hoặc hoặc chất mài mòn

- ♦ **Mang thiết bị bảo vệ tai.** Việc tiếp xúc với tiếng ồn có thể gây tổn hại thính lực.
- ♦ **Sử dụng các tay cầm phụ kèm theo dụng cụ.** Việc mất khả năng kiểm soát có thể gây chấn thương cá nhân.
- ♦ **Kẹp thiết bị điện bằng các bề mặt cách điện khi vận hành tại những nơi công cụ cắt có thể tiếp xúc với dây dẫn ngầm hoặc với chính dây dẫn của nó.** Việc cắt phải dây điện "sống" có thể làm các bộ phận kim loại của thiết bị điện "có điện" và có thể làm người vận hành bị giật điện.
- ♦ **Tuyệt đối không sử dụng phụ kiện đục đang ở chế độ quay.** Phụ kiện sẽ bị kẹt vào vật liệu và làm quay máy khoan.
- ♦ **Dùng kẹp hay áp dụng một biện pháp thực tế khác nhằm bảo đảm và cố định phôi gia công trên bàn máy.** Giữ phôi bằng tay hay dựa vào người bạn đều làm cho phôi không vững và có thể dẫn tới mất kiểm soát.

- ◆ Trước khi khoan vào tường, sàn hay trần nhà, hãy kiểm tra vị trí lắp đặt đường dây và đường ống.
- ◆ Tránh chạm vào đầu mũi khoan ngay sau khi khoan vì mũi khoan lúc này vẫn có thể đang nóng.
- ◆ Mục đích sử dụng được mô tả trong tài liệu hướng dẫn này. Việc sử dụng bất kỳ phụ kiện hay đồ gá hoặc thực hiện vận hành dụng cụ này ngoài các mục đích sử dụng khuyến nghị trong tài liệu hướng dẫn này có thể dẫn đến nguy cơ chấn thương cá nhân và/hoặc hư hỏng tài sản.

cần dây nối đất. Luôn kiểm tra xem nguồn điện có tương ứng với điện thế trên biển thông số định mức hay không.

- ◆ Dây cắm điện bị hỏng phải được thay thế bởi nhà sản xuất hoặc trung tâm bảo hành Stanley được ủy quyền để tránh nguy hiểm.

Sử dụng dây điện nối dài

Nếu cần thiết phải sử dụng dây điện nối dài, sử dụng dây điện phù hợp với điện áp của máy (xem thông số kỹ thuật). Kích thước cáp tối thiểu là 1.5mm².

Khi sử dụng cuộn dây điện, luôn tháo dây ra hợp lý. Xem bảng thông số sau.

Kích thước dây (mm ²)		Định mức dòng điện cấp (Amper)					
0.75		6					
1.00		10					
1.50		15					
2.50		20					
4.00		25					
		Chiều dài dây (m)					
		7.5	15	25	30	45	60
Điện áp	Amperes	Định mức dòng điện cấp (Amper)					
115	0 - 2.0	6	6	6	6	6	10
	2.1 - 3.4	6	6	6	6	15	15
	3.5 - 5.0	6	6	10	15	20	20
	5.1 - 7.0	10	10	15	20	20	25
	7.1 - 12.0	15	15	20	25	25	-
230	0 - 2.0	20	20	25	-	-	-
	2.1 - 3.4	6	6	6	6	6	6
	3.5 - 5.0	6	6	6	6	10	15
	5.1 - 7.0	10	10	10	10	15	15
	7.1 - 12.0	15	15	15	15	20	20
	12.1 - 20.0	20	20	20	20	25	-

Tính năng

Dụng cụ này gồm một số hoặc tất cả những tính năng sau.

1. Công tắc tốc độ biến thiên
2. Nút khóa công tắc
3. Công tắc thuận/ngịch (chỉ có trên STEL503)
4. Công tắc chọn chế độ (chỉ có trên STEL503)
5. Đầu kẹp thiết bị
6. Tay cầm bên
7. Chốt chặn độ sâu

Lắp ráp

Cảnh báo! Trước khi lắp ráp, đảm bảo đã tắt và rút phích nguồn của dụng cụ.

Lắp tay cầm bên

- ◆ Xoay chốt kẹp ngược chiều kim đồng hồ tới khi nào có thể đẩy tay cầm bên (6) lên phía trước của dụng cụ.

An toàn cho người khác

- ◆ Không cho phép những người (bao gồm cả trẻ em) bị suy giảm năng lực thể chất, trí tuệ hoặc cảm giác, hay người thiếu kinh nghiệm và kiến thức sử dụng dụng cụ điện cầm tay này, trừ khi có sự giám sát hoặc hướng dẫn của người chịu trách nhiệm về vấn đề an toàn của họ.
- ◆ Phải giám sát để đảm bảo trẻ không nghịch các dụng cụ này.

Các nguy cơ còn lại.

Các nguy cơ còn lại khác có thể phát sinh khi sử dụng thiết bị không nằm trong các cảnh báo an toàn đính kèm. Những nguy cơ này có thể phát sinh từ việc sử dụng sai mục đích, sử dụng trong thời gian dài,... Kể cả việc áp dụng các quy tắc an toàn liên quan và dùng các thiết bị an toàn cũng không thể tránh được một số nguy cơ còn lại. Những nguy cơ này gồm:

- ◆ Chấn thương do chạm vào bất kỳ bộ phận đang quay/chuyển động nào.
- ◆ Chấn thương do thay đổi bất kỳ bộ phận, lưỡi dao hay phụ kiện nào.
- ◆ Chấn thương do sử dụng dụng cụ trong thời gian dài. Khi sử dụng bất kỳ một dụng cụ nào trong khoảng thời gian dài, bạn phải đảm bảo nghỉ giải lao thường xuyên.
- ◆ Suy giảm thính lực.
- ◆ Các mối nguy hại cho sức khỏe do hít phải nhiều bụi khi sử dụng dụng cụ (chẳng hạn: - làm việc với gỗ, đặc biệt là gỗ sồi, gỗ dẻ gai và gỗ ép.)

Ký hiệu trên máy

Những ký hiệu sau có trên dụng cụ:



CẢNH BÁO! Để giảm thiểu nguy cơ chấn thương, người sử dụng phải đọc hướng dẫn sử dụng.

An toàn điện



Do dụng cụ này được cách điện kép nên không

- ◆ Xoay tròn tay cầm vào vị trí mình muốn.
- ◆ Xiết chặt tay cầm bằng cách xoay chốt kẹp theo chiều kim đồng hồ.



Cảnh báo! Luôn sử dụng tay cầm phụ trợ với máy một cách hợp lý.

Lắp phụ kiện (hình A)

- ◆ Lau và tra dầu vào cán (8) của phụ kiện.
- ◆ Kéo ống nối (9) ra phía sau và lắp cán vào đầu kẹp dụng cụ (5).
- ◆ Đẩy phụ kiện xuống dưới và xoay nhẹ cho tới khi phụ kiện khớp vào các khe.
- ◆ Kéo phụ kiện ra để kiểm tra xem đã khóa chặt chưa. Chức năng đập đòi hỏi phụ kiện phải có khả năng di chuyển theo trục vài centimet khi bị khóa vào trong đầu kẹp thiết bị.
- ◆ Để tháo phụ kiện, kéo ống nối (9) ngược trở lại và kéo phụ kiện ra. Đầu giữ dụng cụ.

Sử dụng

Cảnh báo! Đảm bảo dụng cụ làm việc ở tốc độ cho phép. Không được chạy quá tải.

Cảnh báo! Trước khi khoan vào tường, sàn hay trần nhà, hãy kiểm tra vị trí lắp đặt đường dây và đường ống.

Lựa chọn chế độ vận hành (hình B)

Có thể sử dụng thiết bị ở ba chế độ vận hành. Nhấn nút (10) và xoay bộ chọn chế độ khoan (4) theo hướng quy định như các biểu tượng chỉ dẫn.

Khoan

- ◆ Để khoan thép, gỗ và nhựa, đặt nút chọn chế độ (4) tới vị trí **1** chế độ.

Chế độ khoan búa

- ◆ Để khoan tường và bê tông, đặt nút chọn chế độ (4) đến **T1** vị trí s
- ◆ Khi đập, không nên để dụng cụ này lên và phải để dụng cụ chạy thật êm. Tăng tốc độ nếu cần thiết.

Đục búa

- ◆ Để đập búa với khóa trục vít, và đục và đục nhẹ, thiết lập bộ chọn chế độ vận hành (4) ở vị trí **T**.
- ◆ Hãy đảm bảo công tắc thuận/ngược ở vị trí thuận
- ◆ Khi thay đổi từ chế độ khoan búa sang chế độ khoan đục, hãy xoay đục đến vị trí mong muốn. Nếu trong quá trình đổi chế độ thấy có lực kháng thì xoay nhẹ đục để khớp với khóa trục vít.

Cảnh báo! Nếu máy đục là loại 1 chế độ (STEL501), nó chỉ có một chế độ duy nhất - chế độ khoan búa.

Không thể chọn chế độ vận hành.

Chọn hướng quay

Chức năng này chỉ có trên kiểu máy nhất định (STEL503). Đối với khoan, và đục, lựa chọn hướng quay thuận (theo chiều kim đồng hồ). Để tháo mũi khoan bị kẹt, chọn hướng quay nghịch (ngược chiều kim đồng hồ).

- ◆ Để chọn quay theo chiều thuận, đẩy nút đảo chiều thuận/ngược (3) sang bên trái.
- ◆ Để chọn chiều quay nghịch, đẩy nút đảo chiều thuận/ngược sang bên phải.

Cảnh báo! Tuyệt đối không được thay đổi hướng quay khi động cơ đang chạy.

Thiết lập độ sâu khoan (hình C)

- ◆ Nới lỏng tay cầm bên (6) bằng cách xoay chốt kẹp ngược chiều kim đồng hồ.
- ◆ Thiết lập chốt chặn độ sâu (7) ở vị trí mong muốn. Độ sâu khoan tối đa bằng khoảng cách từ đầu mũi khoan cho tới đầu phía trước của chốt chặn độ sâu.
- ◆ Xiết chặt tay cầm bằng cách xoay chốt kẹp theo chiều kim đồng hồ.

Bật và tắt

- ◆ Để bật thiết bị lên, ấn công tắc bật/tắt (1). Tốc độ dụng cụ phụ thuộc vào lực ấn công tắc của bạn.
- ◆ Thông thường, chạy máy khoan ở tốc độ thấp đối với các mũi khoan có đường kính lớn và chạy máy khoan ở tốc độ cao đối với các mũi khoan có đường kính nhỏ hơn.
- ◆ Để khoan liên tục, nhấn nút khóa công tắc (2) và nhả công tắc thay đổi tốc độ. Có thể chọn phương án này chỉ khi khoan theo chiều thuận (theo chiều kim đồng hồ).
- ◆ Để tắt dụng cụ, nhả nút công tắc thay đổi tốc độ. Để tắt dụng cụ khi hoạt động liên tục, hãy ấn công tắc thay đổi tốc độ thêm một lần nữa và nhả ra.

Các phụ kiện

Hiệu suất làm việc của dụng cụ tùy thuộc vào phụ kiện được sử dụng. Phụ kiện của Stanley được chế tạo theo tiêu chuẩn chất lượng cao và được thiết kế nhằm tăng cường hiệu suất làm việc cho dụng cụ của bạn. Dụng cụ của bạn sẽ phát huy tối đa hiệu quả làm việc khi sử dụng các phụ kiện này.

Bảo trì

Dụng cụ/thiết bị có dây/không dây của Stanley được thiết kế để vận hành trong thời gian dài và ít phải bảo trì nhất. Máy vận hành liên tục theo ý muốn tùy thuộc vào việc bảo quản máy đúng cách và vệ sinh thường xuyên.

Cảnh báo! Trước khi bảo dưỡng các dụng cụ điện cầm tay có dây/không dây:

- ◆ Tắt và rút dây nguồn của thiết bị/dụng cụ.
- ◆ Hoặc tắt nguồn, tháo pin và khỏi thiết bị/dụng cụ nếu thiết bị/dụng cụ có pin rời.
- ◆ Hoặc chạy hết sạch pin nếu là loại pin tích hợp sẵn và sau đó tắt máy.
- ◆ Rút phích cắm bộ sạc trước khi vệ sinh. Bộ sạc không cần bảo dưỡng nhưng phải thường xuyên lau chùi.
- ◆ Thường xuyên lau chùi các khe thông gió trong thiết bị/dụng cụ/bộ sạc bằng chổi mềm hoặc khăn khô.
- ◆ Thường xuyên lau chùi vỏ động cơ bằng khăn ẩm. Không dùng chất tẩy rửa có chứa dung môi hay chất mài mòn.
- ◆ Thường xuyên mở đầu kẹp và vỏ nhẹ để trút bụi ở bên trong ra (khi lắp).

Bảo vệ Môi trường



Thu gom riêng. Không được vứt bỏ sản phẩm này với rác thải gia đình thông thường.

Nếu sản phẩm Stanley của bạn cần phải thay thế, hoặc bạn không sử dụng nó trong tương lai nữa, hãy nghĩ đến việc bảo vệ môi trường. Sản phẩm phải được thu gom riêng.



Thu gom riêng sản phẩm đã qua sử dụng và đóng gói lại sẽ cho phép tái chế và tái sử dụng vật liệu. Tái sử dụng vật liệu tái chế giúp ngăn chặn ô nhiễm môi trường và giảm nhu cầu vật liệu thô.

Luật lệ địa phương có thể quy định việc thu gom riêng các sản phẩm điện gia dụng, tại các bãi rác thải đô thị hoặc bởi những người bán lẻ khi bạn mua sản phẩm mới.

