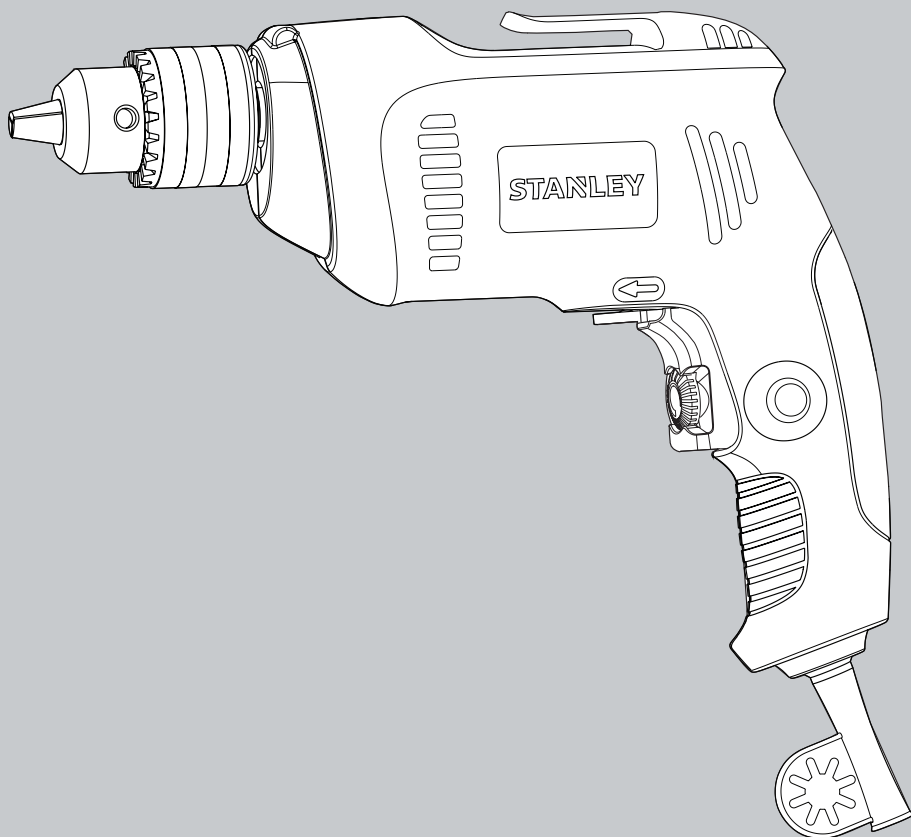


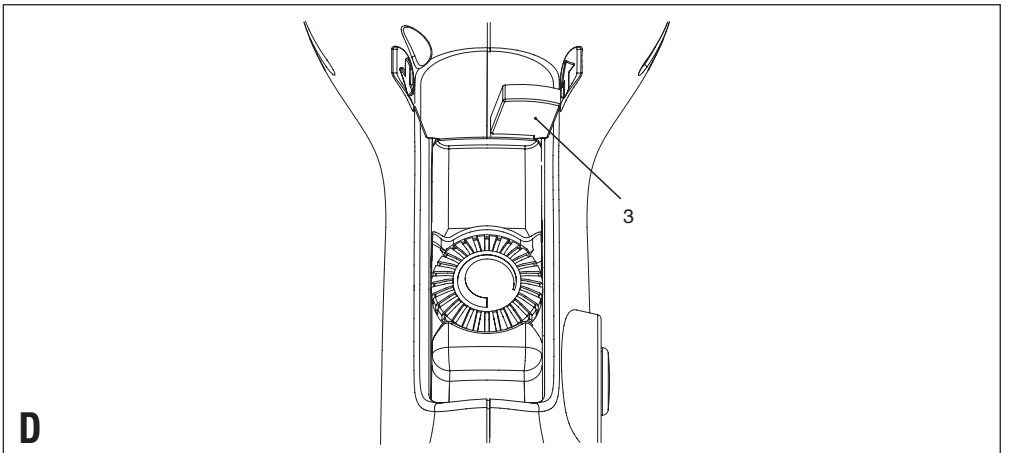
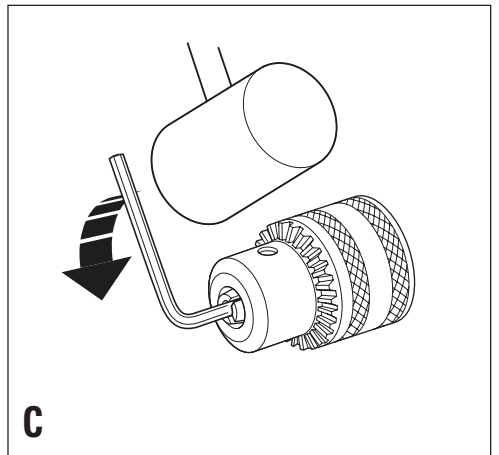
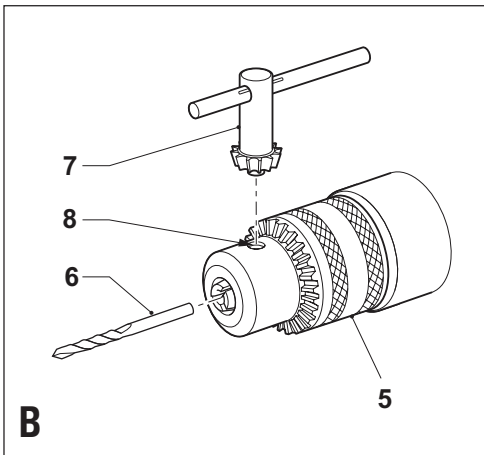
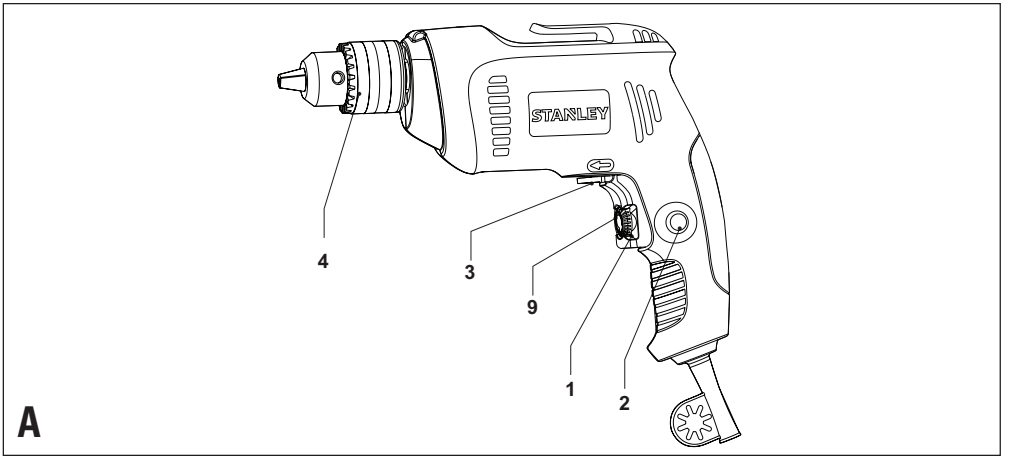
STANLEY



STDR5510

English
简体中文

3
7



ROTARY DRILL STDR5510

Technical data

SPECIFICATION	STDR5510-A9	
POWER	W	550
VOLTAGE	V	220
FREQUENCY	Hz	50
NO-LOAD SPEED	/min	0-2800
REVERSE		YES
LOCK ON		YES
MAX DRILLING CAPACITY		
-STEEL	mm	10
-WOOD	mm	25
CHUCK CAPACITY	mm	1.5-10

Intended use

Your Stanley rotary drill has been designed for drilling in wood, metal and plastic. This tool is intended for consumer use only.

GENERAL SAFETY RULES



Warning! Read safety warnings and all instructions. Failure to follow all instructions listed below may result in electric shock, fire and/or serious injury.

Save all warnings and instructions for future reference.

The term "power tool" in all of the warnings listed below refers to your mains operated (corded) power tool or battery operated (cordless) power tool.

1. Work area safety

- Keep work area clean and well lit.** Cluttered or dark areas invite accidents.
- Do not operate power tools in explosive atmospheres, such as in the presence of flammable liquids, gases or dust.** Power tools create sparks which may ignite the dust or fumes.
- Keep children and bystanders away while operating a power tool.** Distractions can cause you to lose control.

2. Electrical safety

- Power tool plugs must match the outlet. Never**

modify the plug in any way. Do not use any adapter plugs with earthed (grounded) power tools.

Unmodified plugs and matching outlets will reduce risk of electric shock.

- Avoid body contact with earthed or grounded surfaces such as pipes, radiators, ranges and refrigerators.** There is an increased risk of electric shock if your body is earthed or grounded.
- Do not expose power tools to rain or wet conditions.** Water entering a power tool will increase the risk of electric shock.
- Do not abuse the cord. Never use the cord for carrying, pulling or unplugging the power tool. Keep cord away from heat, oil, sharp edges or moving parts.** Damaged or entangled cords increase the risk of electric shock.
- When operating a power tool outdoors, use an extension cord suitable for outdoor use.** Use of a cord suitable for outdoor use reduces the risk of electric shock.
- If operating a power tool in a damp location is unavoidable, use a residual current device (RCD) protected supply.** Use of an RCD reduces the risk of electric shock.

3. Personal safety

- Stay alert, watch what you are doing and use common sense when operating a power tool. Do not use a power tool while you are tired or under the influence of drugs, alcohol or medication.** A moment of inattention while operating power tools may result in serious personal injury.
- Use personal protective equipment. Always wear eye protection.** Protective equipment such as dust mask, non-skid safety shoes, hard hat, or hearing protection used for appropriate conditions will reduce personal injuries.
- Prevent unintentional starting. Ensure the switch is in the off-position before connecting to power source and/or battery pack, picking up or carrying the tool.** Carrying power tools with your finger on the switch or energising power tools that have the switch on invites accidents.
- Remove any adjusting key or wrench before turning the power tool on.** A wrench or a key left attached to a rotating part of the power tool may result in personal injury.
- Do not overreach. Keep proper footing and balance at all times.** This enables better control of the power tool in unexpected situations.

- f. **Dress properly. Do not wear loose clothing or jewellery. Keep your hair, clothing and gloves away from moving parts.** Loose clothes, jewellery or long hair can be caught in moving parts.
 - g. **If devices are provided for the connection of dust extraction and collection facilities, ensure these are connected and properly used.** Use of dust collection can reduce dust-related hazards.
4. **Power tool use and care**
- a. **Do not force the power tool. Use the correct power tool for your application.** The correct power tool will do the job better and safer at the rate for which it was designed.
 - b. **Do not use the power tool if the switch does not turn it on and off.** Any power tool that cannot be controlled with the switch is dangerous and must be repaired.
 - c. **Disconnect the plug from the power source and/or the battery pack from the power tool before making any adjustments, changing accessories, or storing power tools.** Such preventive safety measures reduce the risk of starting the power tool accidentally.
 - d. **Store idle power tools out of the reach of children and do not allow persons unfamiliar with the power tool or these instructions to operate the power tool.** Power tools are dangerous in the hands of untrained users.
 - e. **Maintain power tools. Check for misalignment or binding of moving parts, breakage of parts and any other condition that may affect the power tools operation. If damaged, have the power tool repaired before use.** Many accidents are caused by poorly maintained power tools.
 - f. **Keep cutting tools sharp and clean.** Properly maintained cutting tools with sharp cutting edges are less likely to bind and are easier to control.
 - g. **Use the power tool, accessories and tool bits etc. in accordance with these instructions, taking into account the working conditions and the work to be performed.** Use of the power tool for operations different from those intended could result in a hazardous situation.
5. **Service**
- a. **Have your power tool serviced by a qualified repair person using only identical replacement parts.** This will ensure that the safety of the power tool is maintained.

ADDITIONAL POWER TOOL SAFETY WARNINGS



Warning! Additional safety warnings for drills and impact drills

- ◆ **Wear ear protectors when impact drilling.** Exposure to noise can cause hearing loss.
- ◆ **Use auxiliary handle(s), if supplied with the tool.** Loss of control can cause personal injury.
- ◆ **Hold power tool by insulated gripping surfaces when performing an operation where the cutting accessory may contact hidden wiring or its own cord.** Cutting accessory contacting a "live" wire may make exposed metal parts of the power tool "live" and could give the operator an electric shock.
- ◆ Use clamps or another practical way to secure and support the workpiece to a stable platform. Holding the work by hand or against your body leaves it unstable and may lead to loss of control.
- ◆ Before drilling into walls, floors or ceilings, check for the location of wiring and pipes.
- ◆ Avoid touching the tip of a drill bit just after drilling, as it may be hot.
- ◆ This tool is not intended for use by persons (including children) with reduced physical, sensory or mental capabilities, or lack of experience and knowledge, unless they have been given supervision or instruction concerning use of the appliance by a person responsible for their safety. Children should be supervised to ensure that they do not play with the appliance.
- ◆ The intended use is described in this instruction manual. The use of any accessory or attachment or performance of any operation with this tool other than those recommended in this instruction manual may present a risk of personal injury and/or damage to property.

Electrical safety



This tool is double insulated; therefore no earth wire is required. Always check that the power supply corresponds to the voltage on the rating plate.

Features

This tool includes some or all of the following features.

1. Variable speed switch
2. Lock-on button
3. Forward/reverse slider
4. Chuck
5. Sleeve
6. Bit Shaft
7. Chuck key
8. Hole
9. Speed dial

Assembly

Warning! Before assembly, make sure that the tool is switched off and unplugged.

Keyed chuck (fig. B)

- ◆ Open the chuck by turning the sleeve (5) counterclockwise.
- ◆ Insert the bit shaft (6) into the chuck.
- ◆ Insert the chuck key (7) into each hole (8) in the side of the chuck and turn clockwise until tight.

Removing and refitting the chuck (fig. C)

- ◆ Open the chuck as far as possible.
- ◆ Remove the chuck retaining screw, located in the chuck, by turning it clockwise using a screwdriver.
- ◆ Tighten an Allen key into the chuck and strike it with a hammer as shown.
- ◆ Remove the Allen key.
- ◆ Remove the chuck by turning it counterclockwise.
- ◆ To refit the chuck, screw it onto the spindle and secure it with the chuck retaining screw.

Use

Warning! Let the tool work at its own pace. Do not overload.

Warning! Before drilling into walls, floors or ceilings, check for the location of wiring and pipes.

Selecting the direction of rotation (fig. D)

For drilling and for tightening screws, use forward (clockwise) rotation. For loosening screws or removing a jammed drill bit, use reverse (counterclockwise) rotation.

- ◆ To select forward rotation, push the forward/reverse slider (3) to the left position.
- ◆ To select reverse rotation, push the forward/reverse slider to the right.
Viewed when holding the drill in the operating position. After any reversing operations, return slider (3) to forward position.

Warning! Never change the direction of rotation while the motor is running.

Switching on and off

- ◆ To switch the tool on, press the variable speed switch (1). The tool speed depends on how far you press the switch.
- ◆ For continuous operation, press the lock-on button (2) and release the variable speed switch. This option is available only at full speed.
- ◆ To switch the tool off, release the variable speed switch. To switch the tool off when in continuous operation,

press the variable speed switch once more and release it.

- ◆ Based on the different applications, turn around the speed dial (9) to control the maximum speed.

Proper Hand Position (fig.E)



Warning! To reduce the risk of serious personal injury, **ALWAYS** use proper hand position as shown in figure E.



Warning! To reduce the risk of serious personal injury, **ALWAYS** hold securely in anticipation of a sudden reaction.

DRILLING IN METAL

Start drilling with slow speed and increase to full power while applying firm pressure on the tool. A smooth even flow of metal chips indicates the proper drilling rate. Use a cutting lubricant when drilling metals. The exceptions are cast iron and brass which should be drilled dry.

NOTE: Large [5/16" (8 mm)] holes in steel can be made easier if a pilot hole [5/32" (4 mm)] is drilled first.

DRILLING IN WOOD

Start drilling with slow speed and increase to full power while applying firm pressure on the tool. Holes in wood can be made with the same twist drills used for metal. These bits may overheat unless pulled out frequently to clear chips from the flutes. Work that is apt to splinter should be backed up with a block of wood.

Accessories

The performance of your tool depends on the accessory used. Stanley accessories are engineered to high quality standards and designed to enhance the performance of your tool. By using these accessories you will get the very best from your tool.

Maintenance

Your tool has been designed to operate over a long period of time with a minimum of maintenance. Continuous satisfactory operation depends upon proper tool care and regular cleaning.

Warning! Before performing any maintenance, switch off and unplug the tool.

- ◆ Regularly clean the ventilation slots in your tool using a soft brush or dry cloth.
- ◆ Regularly clean the motor housing using a damp cloth.

Do not use any abrasive or solvent-based cleaner.

Protecting the environment



Separate collection. This product must not be disposed of with normal household waste.

Should you find one day that your Stanley product needs replacement, or if it is of no further use to you, do not dispose of it with household waste. Make this product available for separate collection.



Separate collection of used products and packaging allows materials to be recycled and used again. Re-use of recycled materials helps prevent environmental pollution and reduces the demand for raw materials.

Local regulations may provide for separate collection of electrical products from the household, at municipal waste sites or by the retailer when you purchase a new product

Remarks

- ◆ Stanley's policy is one of continuous improvement to our products and as such, we reserve the right to modify product specifications without prior notice.
- ◆ Standard equipment and accessories may vary by country.
- ◆ Product specifications may differ by country.
- ◆ Complete product range may not be available in all countries. Contact your local Stanley dealers for range availability.

电钻

STDR5510

技术参数

规格	STDR5510-A9	
功率	瓦	550
电压	伏特	220
频率	赫兹	50
空载转速	转/分	0-2800
反转		是
锁定		是
最大钻孔能力		
-钢材	毫米	10
-木材	毫米	25
夹头容量	毫米	1.5-10

设计用途

Stanley 电钻设计用于在木材、金属和塑料上钻孔。本工具仅供专业人士使用。

电动工具通用安全警告



警告！ 阅读所有警告和所有说明。不遵照以下警告和说明会导致电击、着火和 / 或严重伤害。

保存所有警告和说明书以备查阅。

在所有下列的警告中术语“电动工具”指市电驱动（有线）电动工具或电池驱动（无线）电动工具。

1. 工作场地的安全

- 保持工作场地清洁和明亮。混乱和黑暗的场地会引发事故。
- 不要在易爆环境，如有易燃液体、气体或粉尘的环境下操作电动工具。电动工具产生的火花会点燃粉尘或气体。
- 让儿童和旁观者离开后操作电动工具。注意力不集中会使你失去对工具的控制。

2. 电气安全

- 电动工具插头必须与插座相配。绝不能以任何方式改装插头。需接地的电动工具不能使用任何转换插头。

未经改装的插头和相配的插座将减少电击危险。

- 避免人体接触接地表面，如管道、散热片和冰箱。如果你身体接地会增加电击危险。
- 不得将电动工具暴露在雨中或潮湿环境中。水进入电动工具将增加电击危险。
- 不得滥用电线。绝不用电线搬运、拉动电动工具或拔出其插头。使电线远离热源、油、锐边或运动部件。受损或缠绕的软线会增加电击危险。
- 当在户外使用电动工具时，使用适合户外使用的外接软线。适合户外使用的软线将减少电击危险。
- 如果在潮湿环境下操作电动工具是不可避免的，应使用剩余电流动作保护器（RCD）。使用RCD可减小电击危险。

3. 人身安全

- 保持警觉，当操作电动工具时关注所从事的操作并保持清醒。当你感到疲倦，或在有药物、酒精或治疗反应时，不要操作电动工具。在操作电动工具时瞬间的疏忽会导致严重人身伤害。
- 使用个人防护装置。始终佩戴护目镜。安全装置，诸如适当条件下使用防全面具、防滑安全鞋、安全帽、听力防护等装置能减少人身伤害。
- 防止意外启动。确保开关在连接电源和/或电池组、拿起或搬运工具时处于关断位置。手指放在已接通电源的开关上或开关处于接通时插入插头可能会导致危险。
- 在电动工具接通之前，拿掉所有调节钥匙或扳手。遗留在电动工具旋转零件上的扳手或钥匙会导致人身伤害。
- 手不要伸展得太长。时刻注意立足点和身体平衡。这样在意外情况下能很好地控制电动工具。
- 着装适当。不要穿宽松衣服或佩戴饰品。让你的衣服、手套和头发远离运动部件。宽松衣服、配饰或长发可能会卷入运动部件中。
- 如果提供了与排屑、集尘设备连接用的装置，要确保他们连接完好且使用得当。使用这些装置可减少尘屑引起的危险。

4. 电动工具使用和注意事项

- 不要滥用电动工具，根据用途使用适当的电动工具。选用适当设计的电动工具会使你工作更有效、更安全。
- 如果开关不能接通或关断工具电源，则不能使用

该电动工具。不能用开关来控制的电动工具是危险的且必须进行修理。

- c. **在进行任何调节、更换附件或贮存电动工具之前，必须从电源上拔掉插头和 / 或使电池组与工具脱开。**这种防护性措施将减少工具意外启动的危险。
- d. **将闲置不用的电动工具贮存在儿童所及范围之外，并且不要让不熟悉电动工具或对这些说明不了解的人操作电动工具。**电动工具在未经培训的用户手中是危险的。
- e. **保养电动工具。检查运动件是否调整到位或卡住，检查零件破损情况和影响电动工具运行的其他状况。如有损坏，电动工具应在使用前修理好。**许多事故由维护不良的电动工具引发。
- f. **保持切削刀具锋利和清洁。**保养良好的有锋利切削刃的刀具不易卡住而且容易控制。
- g. **按照使用说明书，考虑作业条件和进行的作业来使用电动工具、附件和工具的刀头等。**将电动工具用于那些与其用途不符的操作可能会导致危险。

5. 维修

- a. **将你的电动工具送交专业维修人员，使用同样的备件进行修理。**这样将确保所维修的电动工具的安全性。

电动工具附加安全警告



警告! 电钻和冲击钻附加安全

- ◆ **使用冲击电钻时要戴好耳罩。**暴露在噪声中会引起听力损伤。
- ◆ **使用随工具提供的辅助手柄。**操作失手会引起人身伤害。
- ◆ **当在钻削附件可能触及暗线或其自身软线之处进行操作时，要通过绝缘握持面来握持工具。**钻削附件碰到带电导线会使工具外露的金属零件带电从而使操作者受到电击。
- ◆ 使用夹具或采取其他可行的方法，将工件固定、支撑到稳定的平台上。手持或用身体顶住工件都是不稳定的，会导致操作失控。
- ◆ 在墙上、地板或天花板上钻孔之前，请检查电线和管道位置
- ◆ 不要在钻孔后立刻碰触可能还发热的钻头尖端。
- ◆ 本工具不适合体力、感觉或智力不足，或者缺乏经验及知识的人员（包括儿童）使用，除非负责他们安全的人员已经为他们提供关于使用

此设备的监督或指示。应看管好儿童，以确保他们不将此设备当做玩具来玩。

- ◆ 本使用手册描述了工具的设计用途。使用非本使用手册所建议的任何其他附件或配件，或者使用本工具执行非手册建议的任何其他操作，都可能存在人身伤害和/或财产损失的危险。

电气安全



本工具采用双重绝缘，因此无需接地线。请务必检查电源电压是否与铭牌上的电压一致。

部件名称

本产品包含如下部分或全部部件。

1. 变速开关
2. 锁定按钮
3. 正/反转滑块
4. 夹头
5. 套管
6. 钻头轴
7. 夹头钥匙
8. 插孔
9. 速度旋钮

组装

警告! 组装前，请确保关闭工具电源并拔下工具插头。

带栓夹头（图 B）

- ◆ 通过逆时针转动套管 (5) 打开夹头。
- ◆ 将钻头轴 (6) 插入夹头。
- ◆ 将夹头钥匙 (7) 插入夹头侧面的每个插孔 (8) 然后顺时针转紧。

卸下及装回夹头（图 C）

- ◆ 将夹头打开到最大位置。
- ◆ 用螺丝起子顺时针转动夹头的固定螺钉将螺丝取出。
- ◆ 将内六角起子转紧到夹头内，然后用锤子敲打，如图所示。
- ◆ 取出内六角起子。
- ◆ 逆时针转动夹头将它取出。
- ◆ 要装回夹头，可将它旋入心轴，然后用夹头固定螺钉将它锁紧。

使用

警告！请让工具在自有速度下工作。切勿过载。

警告！在墙上、地板或天花板上钻孔之前，请检查电线和管道位置。

选择旋转方向（图 D）

如果要钻孔和转紧螺钉，使用向前（顺时针）旋转。如果要转松螺钉或取出卡住的钻头，使用向后（逆时针）旋转。

- ◆ 要选择向前旋转，将正/反转滑块 (3) 拨到左边。
- ◆ 要选择向后旋转，请将正/反转滑块拨到右边。以使用者手持操作电钻时的位置为查看位置。反转操作完毕后，将滑块 (3) 拨回正转位置。

警告！在马达运行时切勿更改旋转方向。

启动与关闭

- ◆ 要开启工具电源，请按下变速开关 (1)。工具转速取决于您按下开关的程度。
- ◆ 要使工具连续运转，请按下锁定按钮 (2)，然后松开变速开关。此选项只在全速运作时可用。
- ◆ 要关闭工具电源，请松开变速开关。要在连续运转时关闭工具电源，请再次按下变速开关然后松开。
- ◆ 根据不同的应用情况，转动速度旋钮 (9) 控制最大速度。

正确的手持方式（图 E）



警告！为降低严重的人身伤害风险，请务必使用正确的手持方式，如图 E 所示。



警告！为降低严重的人身伤害风险，请务必紧握工具以防止意外事件。

在金属材料上钻孔

开始钻孔时，采用较低速度；对工具施加稳固压力时，请增至全功率。如果金属屑平滑、均匀地流出，则表明钻孔速度适当。在金属材料上钻孔时，请使用切削润滑剂。但铸铁和黄铜材料例外，应干钻。

注：在钢材上钻大孔 [5/16 英寸（8 毫米）] 时，如果首先钻先导孔 [5/32 英寸（4 毫米）]，则比较容易进行。

在木材上钻孔

开始钻孔时，采用较低速度；对工具施加稳固压力时，请增至全功率。木材钻孔可以使用和钢材钻孔一样的麻花钻头。这些钻头会过热，除非你不断拔出钻头来清理钻屑。易碎裂材料应垫上木块。

附件

工具性能取决于所使用的附件。史丹利附件按照高质量标准设计，旨在增强工具的性能。购买这些附件会令您的工具如虎添翼。

维护

此工具设计精良，可以长期使用，仅需极少维护。要持续获得令人满意的工作效果，需要对工具进行适当的保养和定期清洁。

警告！在进行任何维护前关闭电源并拔出插头。

- ◆ 定期使用软刷或干布清洁工具内的通风槽。
- ◆ 定期使用湿布清洁电动机外壳。请勿使用任何研磨性或溶剂型清洁剂。

保护环境



分类回收。本产品不得与普通家庭垃圾一起处理。

如果发现您的史丹利产品需要进行替换，或您已经不再需要使用这些产品，请勿将它们与家庭废物一起处理。请将它们单独分类回收。



分类回收使用过的产品和包装能够让材料得以再循环和再利用。再生材料的再利用有助于防止环境污染，并降低对原材料的需求。

当地法规可能要求由市政废物处理点或向您出售新产品的零售商提供从家庭中分类回收电气产品的服务。

备注

- ◆ 史丹利的政策是持续改善我们的产品，因此，我们保留随时变更产品规格的权利，恕不另行通知。
- ◆ 标准设备和配件可能会根据不同的国家而有所不同。

- ◆ 产品规格可能会根据不同的国家而有所不同。
- ◆ 并非所有的国家都有提供完整的产品系列。如需各产品系列的供应情况，请联络您当地的百得代理商。

制造商：史丹利五金工具（上海）有限公司

制造商地址：上海市外高桥保税区泰谷路88号丰谷
大楼六层676A室

产地：江苏启东

