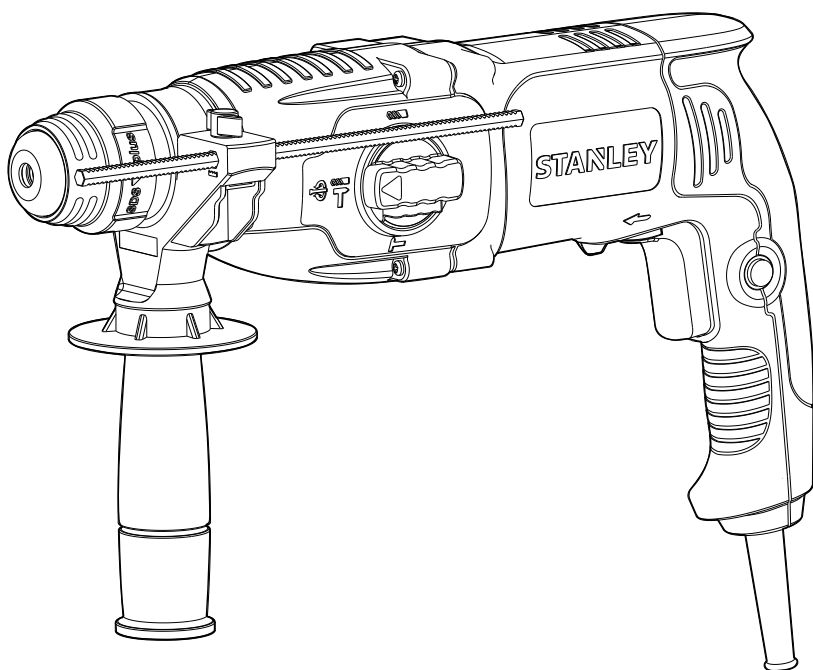
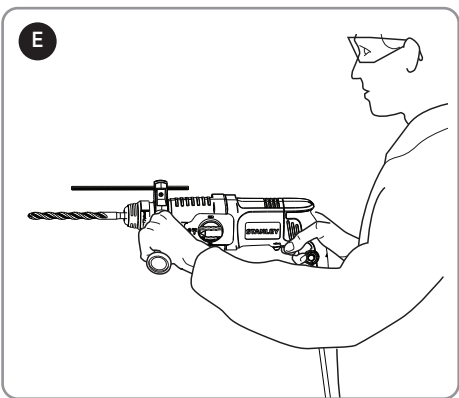
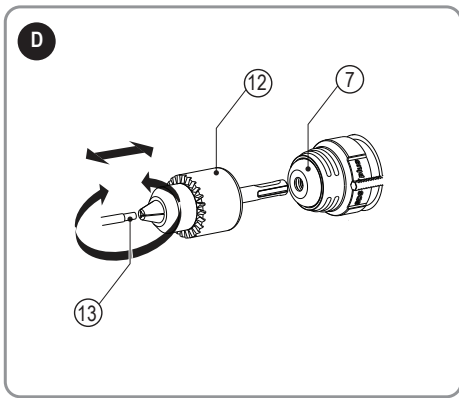
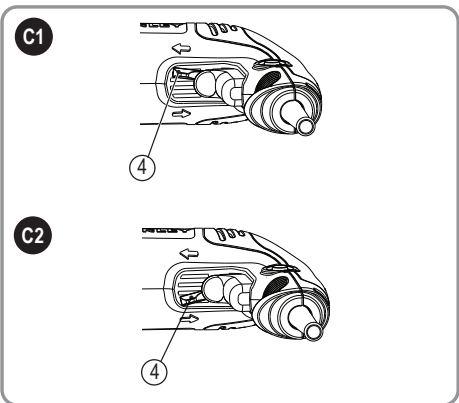
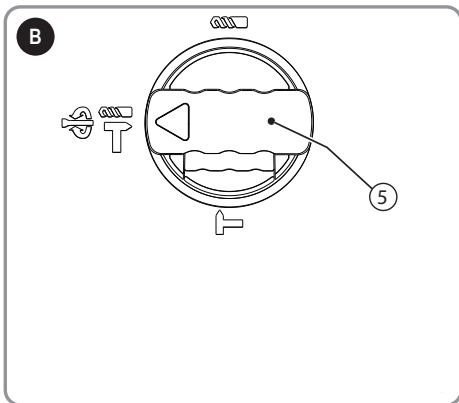
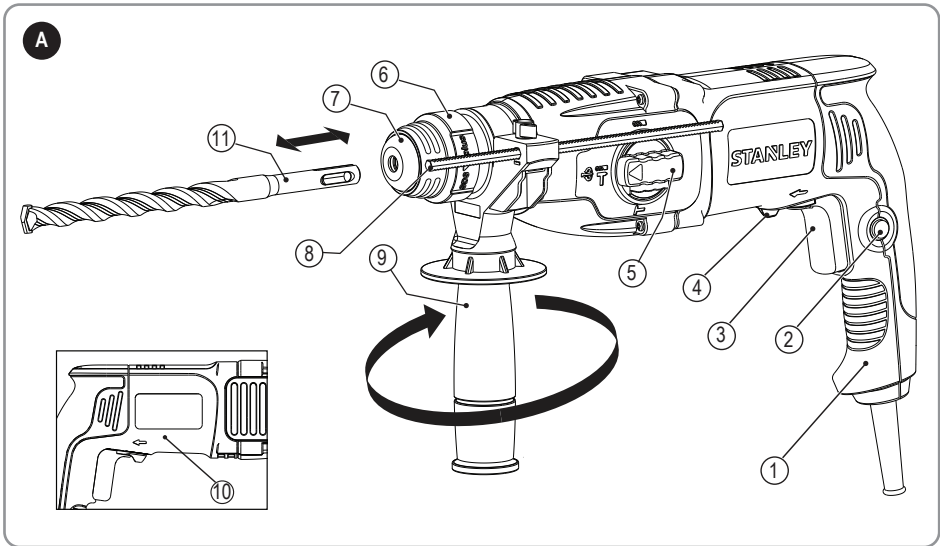


STANLEY



SHR263

English 3
简体中文 11



* The picture above may differ slightly to actual unit.

Intended use

Your Stanley SHR263 SDS plus rotary hammer is intended to drill holes in concrete, bricks, wood, and steel, light chipping, demolition applications and for carbide tipped core drilling or use for screw driver. This tool is intended for professional use.

SAFETY INSTRUCTION

General Power Tool Safety Warnings



WARNING! Read all safety warnings and all instructions. Failure to follow the warnings and instructions may result in electric shock, fire and/ or serious injury.

Save all warnings and instructions for future reference.

The term "power tool" in the warnings refers to your mains-operated (corded) power tool or battery operated (cordless) power tool.

1. Work area safety

- a. **Keep work area clean and well lit.** Cluttered or dark areas invite accidents.
- b. **Do not operate power tools in explosive atmospheres, such as in the presence of flammable liquids, gases or dust.** Power tools create sparks which may ignite the dust or fumes.
- c. **Keep children and bystanders away while operating a power tool.** Distractions can cause you to lose control.

2. Electrical safety

- a. **Power tool plugs must match the outlet. Never modify the plug in any way. Do not use any adapter plugs with earthed (grounded) power tools.** Unmodified plugs and matching outlets will reduce risk of electric shock.
- b. **Avoid body contact with earthed or grounded surfaces, such as pipes, radiators, ranges and refrigerators.** There is an increased risk of electric shock if your body is earthed or grounded.
- c. **Do not expose power tools to rain or wet conditions.** Water entering a power tool will increase the risk of electric shock.
- d. **Do not abuse the cord. Never use the cord for carrying, pulling or unplugging the power tool. Keep cord away from heat, oil, sharp edges or moving parts.** Damaged or entangled cords increase the risk of electric shock.
- e. **When operating a power tool outdoors, use an extension cord suitable for outdoor use.** Use of a cord suitable for outdoor use reduces the risk of electric shock.
- f. **If operating a power tool in a damp location is unavoidable, use a residual current device (RCD) protected supply. Use of an RCD reduces the risk of electric shock.** NOTE: The term "residual current device (RCD)" may be replaced by the term "ground fault circuit interrupter (GFCI)" or "earth leakage circuit breaker (ELCB)".

3. Personal safety

- a. **Stay alert, watch what you are doing and use common sense when operating a power tool. Do not use a power tool while you are tired or under the influence of drugs, alcohol or medication.** A moment of inattention while operating power tools may result in serious personal injury.
 - b. **Use personal protective equipment. Always wear eye protection.** Protective equipment such as dust mask, non-skid safety shoes, hard hat, or hearing protection used for appropriate conditions will reduce personal injuries.
 - c. **Prevent unintentional starting. Ensure the switch is in the off-position before connecting to power source and/ or battery pack, picking up or carrying the tool.** Carrying power tools with your finger on the switch or energising power tools that have the switch on invites accidents.
 - d. **Remove any adjusting key or wrench before turning the power tool on.** A wrench or a key left attached to a rotating part of the power tool may result in personal injury.
 - e. **Do not overreach. Keep proper footing and balance at all times.** This enables better control of the power tool in unexpected situations.
 - f. **Dress properly. Do not wear loose clothing or jewellery. Keep your hair, clothing and gloves away from moving parts.** Loose clothes, jewellery or long hair can be caught in moving parts.
 - g. **If devices are provided for the connection of dust extraction and collection facilities, ensure these are connected and properly used.** Use of dust collection can reduce dust-related hazards.
- #### 4. Power tool use and care
- a. **Do not force the power tool. Use the correct power tool for your application.** The correct power tool will do the job better and safer at the rate for which it was designed.
 - b. **Do not use the power tool if the switch does not turn it on and off.** Any power tool that cannot be controlled with the switch is dangerous and must be repaired.
 - c. **Disconnect the plug from the power source and/ or the battery pack from the power tool before making any adjustments, changing accessories, or storing power tools.** Such preventive safety measures reduce the risk of starting the power tool accidentally.
 - d. **Store idle power tools out of the reach of children and do not allow persons unfamiliar with the power tool or these instructions to operate the power tool.** Power tools are dangerous in the hands of untrained users.
 - e. **Maintain power tools. Check for misalignment or binding of moving parts, breakage of parts and any other condition that may affect the power tool's operation. If damaged, have the power tool repaired before use.** Many accidents are caused by poorly maintained power tools.

- f. **Keep cutting tools sharp and clean.** Properly maintained cutting tools with sharp cutting edges are less likely to bind and are easier to control.
- g. **Use the power tool, accessories and tool bits etc.** in accordance with these instructions, taking into account the working conditions and the work to **be performed**. Use of the power tool for operations different from those intended could result in a hazardous situation.
- 5. **Service**
- a. **Have your power tool serviced by a qualified repair person using only identical replacement parts.** This will ensure that the safety of the power tool is maintained.

ROTARY HAMMER SAFETY WARNINGS

- ♦ **Wear ear protectors.** Exposure to noise can cause hearing loss.
- ♦ **Use auxiliary handle(s), if supplied with the tool.** Loss of control can cause personal injury.
- ♦ **Hold power tool by insulated gripping surfaces, when performing an operation where the cutting accessory may contact hidden wiring or its own cord.** Cutting accessory contacting a "live" wire may make exposed metal parts of the power tool "live" and could give the operator an electric shock.
- ♦ Never use a chisel accessory in rotary mode. The accessory will bind in the material and rotate the drill.
- ♦ Use clamps or another practical way to secure and support the work piece to a stable platform. Holding the work by hand or against your body leaves it unstable and may lead to loss of control.
- ♦ Before drilling into walls, floors or ceilings, check for the location of wiring and pipes.
- ♦ Avoid touching the tip of the drill bit after drilling so as to avoid scalding.
- ♦ The intended use is described in this instruction manual. The use of any accessory or attachment or performance of any operation with this tool other than those recommended in this instruction **manual** may present a risk of personal injury and/or damage to property.

Note: Mains voltage: When connecting to the mains, it is imperative to verify if the voltage of the mains matches that of the power tool. If the mains voltage exceeds the voltage indicated on the power tool, the user may become severely injured in an accident, and the tool may be damaged. On the contrary, if the mains voltage is lower than the voltage required by the tool, the motor may be damaged as a result. Thus, if it is not possible to verify the voltage, it is imperative not to plug in to the power source.

Additional residual risks may arise when using the tool which may not be included in the enclosed safety warnings. These risks can arise from misuse, prolonged use etc. In spite of the application of the relevant safety regulations and the implementation of safety devices, certain risks cannot be avoided. These are:





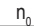



- ♦ Injuries caused by touching any rotating/moving parts.
- ♦ Injuries caused when changing any parts, blades or accessories.
- ♦ Injuries caused by prolonged use of a tool. When using any tool for prolonged periods ensure you take regular breaks.
- ♦ Impairment of hearing.
- ♦ Health hazards caused by breathing dust developed when using your tool (example:- working with wood, especially oak, beech and MDF.)

SAFETY OF OTHER

- ♦ This appliance is not intended for use by persons (including children) with reduced physical, sensory or mental capabilities, or lack of experience and knowledge, unless they have been given supervision or instruction concerning use of the appliance by a person responsible for their safety.
- ♦ Children should be supervised to ensure that they do not play with the appliance.

LABELS ON TOOL

The following symbols are shown on the tool along with date code:

	WARNING! To reduce the risk of injury, the user must read the instruction manual before use.		
	Wear ear protection.		
	Wear safety glasses or goggles.		
V	Volts		Direct current
A	Amperes		No-Load Speed
Hz	Hertz		Class II Construction
W	Watts		Earthing Terminal
min	minutes		Safety Alert Symbol

	Alternating Current	/min.	Revolutions or Reciprocation per minute
--	---------------------	-------	---

Position of Date Code (Fig. A)

The Date Code (10), which also includes the year of manufacture, is printed into the housing.

Example:

2016 XX JN
Year of manufacturing

PACKAGE CONTENTS

The package contains:

- 1 Compact rotary hammerdrill
- 1 Side handle
- 1 Depth stop
- 1 Kitbox
- 1 Drill chuck (Optional)
- 1 Bit (Optional)
- 1 Instruction manual

- ♦ Check for damage to the tool, parts or accessories which may have occurred during transport.
- ♦ Take the time to thoroughly read and understand this manual prior to operation.

ELECTRICAL SAFETY



Your tool is double insulated; therefore no earth wire is required. Be sure to check that the power supply corresponds to the voltage on the rating plate.



If the supply cord is damaged, it must be replaced by the manufacturer or an authorised Black and Decker Service Centre in order to avoid a hazard.

USING AN EXTENSION CABLE

If it is necessary to use an extension cable, please use an approved extension cable that fits the tool's power input specifications. The minimum cross-sectional area of the conducting wire is 1.5 sq. mm. Cables should be untangled before reeling up.

Cable cross-sectional area (mm ²)	Cable rated current (Ampere)
0.75	6
1.	10
1.50	15
2.50	20

4.00	25					
Cable length (m)						
	7.5	15	25	30	45	60

Voltage	Amperes	Cable rated current (Ampere)					
115	0 - 2.-	6	6	6	6	6	10
	2.1 - 3.4	6	6	6	6	15	15
	3.5 - 5.0	6	6	10	15	20	20
	5.1 - 7.0	10	10	15	20	20	25
	7.1 - 12.0	15	15	20	25	25	-
230	12.1 - 20.0	20	20	25	-	-	-
	0 - 2.0	6	6	6	6	6	6
	2.1 - 3.4	6	6	6	6	6	6
	3.5 - 5.0	6	6	6	6	10	15
	5.1 - 7.0	10	10	10	10	15	15
	7.1 - 12.0	15	15	15	15	20	20
	12.1 - 20.0	20	20	20	20	25	-

FEATURES (FIG. A, FIG.D)

This tool includes some or all of the following features.

1. Main handle
2. Lock-on button
3. Variable Speed Switch
4. Forward/Reverse Lever
5. Mode Selector
6. Sleeve
7. Tool clamp
8. Depth Stop
9. Side Handle
10. Date code
11. SDS bit
12. Drill chuck
13. Drill bit

ASSEMBLY

WARNING! Before assembly, make sure that the tool is switched off and unplugged.

Attaching the Side Handle (Fig. A)

WARNING! When using the tool, please use the side handle (9) for your safety.

The side handle can be fitted to suit both right-handed and left-handed users.

- ♦ Turn the grip counter-clockwise until you can slide the side handle onto the front of the tool.
- ♦ Rotate the side handle into the desired position.
- ♦ Tighten the side handle by turning the grip clockwise.

WARNING! When using the tool, remember to install the side handles properly.

Fitting an accessory (Fig. A)

- ♦ Clean and grease the shank (11) of the accessory.
- ♦ Insert the accessory bar into the tool clamp (7).
- ♦ Push the accessory down and turn it slightly until it fits into the slots.
- ♦ Pull on the accessory to check if it is properly locked. The hammering and drilling function requires the accessory to be able to move axially several centimetres when locked in the tool clamp.
- ♦ To remove the accessory, pull back the sleeve (6) and pull out the accessory from the tool clamp.

USE

WARNING! Always wear gloves when you change accessories. The exposed metal parts on the tool and accessory may become extremely hot during operation.

Please operate tool with normal load. Do not overload. Do not abuse the tool, please refer instruction manual to use the tool correctly.

WARNING! Before drilling into walls, floors or ceilings, check for the location of wiring and pipes.

Setting the drilling depth (Fig. A)

The depth stop is a convenient feature to ensure uniformity in drilling depth. Loosen the side handle to adjust the depth gauge according to the required depth. After that, tighten the side handle.

- ♦ Slacken the side handle (9) by turning the grip counter-clockwise.
- ♦ Set the depth stop (8) to the required position. The maximum drilling depth is equal to the distance between the tip of the drill bit and the front end of the depth stop.
- ♦ Tighten the side handle by turning the grip clockwise.

Switching on and off (Fig. A)

WARNING! Before plugging in to the power source, make sure the switch can be flipped freely, and can return to its original position once released. Please check switch lock on position before turn on and make sure switch lock off before plugging in to the power source.

- ♦ To switch the tool on, press the variable speed

switch (3). The tool speed depends on how far you press the switch.

- ♦ As a general rule, use low speeds for large diameter drill bits and high speeds for smaller diameter drill bits.
- ♦ For continuous operation, press the lock-on button (2) and release the variable speed switch.
- ♦ To switch the tool off, release the variable speed switch. To switch the tool off when in continuous operation, press the variable speed switch once more and release it.

WARNING! When the user leaves, or pick up, transport, manner and position the tool, make sure that tool is switched off and unplugged.

Fitting drill chuck (Fig D)

Optional accessory

- ♦ Insert the drill chuck (12) into the tool clamp (7) according to the instructions for installing attachments.
- ♦ Turn the drill chuck to loosen the clamps at the front-end of the drill-clamp, and insert the accessory bar (13) into the clamps and turn the chuck in the opposite direction.
- ♦ You may also use the drill chuck key to tighten the clamp.



Warning: Never use standard chucks in the hammer-drilling mode

Selecting the Operating Mode (Fig. B)

The tool can be used in the following operating modes:



Rotary drilling: for screw driving and for drilling into steel, wood and plastics



Hammer drilling: for concrete and masonry drilling operations. Bit rotation: non-working position used only to rotate a flat chisel into the desired position



Hammering only: for light chipping, chiselling and demolition applications. In this mode the tool can also be used as a lever to free a jammed drill bit.

1. To select the operating mode, press the mode selector button and rotate the mode selector switch (5) until it points to the symbol of the required mode.
2. Release the mode selector button and check that the mode selector switch is locked in place.



WARNING! Do not select the operating mode when the tool is running.

Proper Hand Position (Fig. A, Fig. E)




WARNING! To reduce the risk of serious personal injury, ALWAYS use proper hand position as shown.



WARNING! To reduce the risk of serious personal injury, ALWAYS hold securely in anticipation of a sudden reaction.

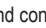
Proper hand position requires one hand on the side handle (9), with the other hand on the main handle (1).

Rotary drilling (Fig. B, Fig. C1/C2)

- ♦ For drilling in steel, wood and plastics, or for screw driving set the operating mode selector (5) to the  position.
- ♦ Fit the drill chuck assembly.
- ♦ insert the appropriate bits. When driving slotted head screws always use bits with a finder sleeve.
- ♦ For drilling in steel, wood and plastics, set the forward/ reverse lever (4) to the forward position(Fig C1). When use for screw driver function, tighten screws set the forward/reverse lever (4) to the forward position(Fig C1) and loose screws set the forward/reverse lever (4) to the reverse position(Fig C2).

WARNING! Never use drill chucks in the hammer drilling mode.

Hammer drilling (Fig. B)

- ♦ For hammer drilling in masonry and concrete, set the operating mode selector (5) to the  position.
- ♦ The drill bit has to be placed accurately onto the drill hole position. After that, pull the switch for optimal effects. Make sure the tool is in the correct position to prevent the drill from deviating from the hole.
- ♦ When the drill hole is clogged with debris or fine powder, please don't exert any more pressure. Tool should be put in free-running state before removing part of the drill bit from the hole. If repeated a few times, the blockage in the hole would be cleared, and normal drilling can resume.

WARNING! When the drill bit hits cement or the steel rebar in the cement, the tool may recoil dangerously. Please hold the tool tightly in a balanced and stable position at all times to prevent it from recoiling dangerously.

Overload coupling device

If the drill bit is caught or hooked, the driving force transmitted to the drill shaft will be cut off. This would generate a strong recoil, so it would be necessary to hold the tool tightly with both hands to remain in a stable position.

Chipping and chiselling (FIG.B)

- ♦ Set the mode selector switch (5) to the "hammering

only"  position.

- ♦ Insert the appropriate chisel and rotate it by hand to lock it into positions.
- ♦ Adjust the side handle (9) as required.
- ♦ Switch on the tool and start working.
- ♦ Always switch off the tool when work is finished and before unplugging.



WARNING! Do not use this tool to mix or pump easily combustible or explosive fluids (benzine, alcohol, etc.). Do not mix or stir inflammable liquids labelled accordingly.

Accessories

The performance of your tool depends on the accessory used. Stanley accessories are engineered to high quality standards and designed to enhance the performance of your tool. By using these accessories you will get the very best from your tool.

MAINTENANCE

Your Stanley corded/cordless appliance/tool has been designed to operate over a long period of time with a minimum of maintenance. To ensure satisfactory operations, the tool must be maintained and cleaned regularly



WARNING: To reduce the risk of injury, turn unit off and disconnect machine from power source before installing and removing accessories, before adjusting or changing set-ups or when making repairs. Be sure the trigger switch is in the OFF position. An accidental start-up can cause injury.

- ♦ This machine is not user-serviceable. If problems occur contact an authorised repair agent.
- ♦ The tool will automatically switch off when the carbon brushes are worn.

WARNING! Before performing any maintenance on corded/ cordless power tools:

- ♦ Switch off and unplug the appliance/tool.
- ♦ Or switch off and remove the battery from the appliance/ tool if the appliance/tool has a separate battery pack.
- ♦ Or run the battery down completely if it is integral and then switch off.
- ♦ Unplug the charger before cleaning it. Your charger does not require any maintenance apart from regular cleaning.
- ♦ Regularly clean the ventilation slots in your appliance/ tool/ charger using a soft brush or dry cloth.
- ♦ Regularly clean the motor housing using a damp cloth.

- ◆ Do not use any abrasive or solvent-based cleaner.
- ◆ Regularly open the chuck and tap it to remove any dust from the interior (when fitted).



Lubrication

Your power tool requires no additional lubrication. Accessories and attachments used must be regularly lubricated around the SDS Plus fitment.



Cleaning



WARNING! Blow dirt and dust out of the main housing with dry air as often as dirt is seen collecting in and around the air vents.

Wear approved eye protection and approved dust mask when performing this procedure.



WARNING! Never use solvents or other harsh chemicals for cleaning the nonmetallic parts of the tool. These chemicals may weaken the material of the parts. Use only mild soap and damp cloth to clean the tool. Never let any liquid get inside the tool, cleaning of gasoline or other chemicals, never immerse any part of the tool into liquid.

Optional Accessories



WARNING! Since accessories, other than those offered by Stanley, have not been tested with this product, use of such accessories with this tool could be hazardous. To reduce the risk of injury, only Stanley, recommended accessories should be used with this product.

Various types of SDS Plus drill bits and chisels are available as an option.

Consult your dealer for further information on the appropriate accessories.

Protecting The Environment



Separate collection. This product must not be disposed of with normal household waste.

Should you find one day that your Stanley product needs replacement, or if it is of no further use to you, do not dispose of it with household waste. Please sort it out for separate recycling.



Separate collection of used products and packaging allows materials to be recycled and used again. Reuse of recycled materials helps prevent environmental pollution and reduces the demand for raw materials.

Some local governments may require the local or municipal waste disposal centers or retailers of new products to provide

households with electronic product recycling services.

Notes

STANLEY's policy is one of continuous improvement to our products and as such, we reserve the right to change product specifications without prior notice.

Standard equipment and accessories may vary by country. Product specifications may differ by country.

Complete product range may not be available in all countries. Contact your local STANLEY dealers for range availability.

TECHNICAL DATA

ROTARY HAMMER		SHR263
TYPE		A9
Voltage	V	220
Frequency	Hz	50
Power input	W	800
No-load speed	min	0-1150
Impact rate	bpm	0-4300
Impact energy (NON EPTA)	J	3.4
Modes		3
Max drilling capacity	mm	
- Concrete		26
- Steel		13
- Wood		30
Weight	kg	2.6

设计用途

本 Stanley SHR263 SDS plus 电钻专用于在混凝土、砖石、木材与钢材、轻型凿切、破碎应用中钻孔，也用于硬合金钻头取芯钻探或螺丝起子。本工具可供专业使用。

安全说明

电动工具一般安全警告



警告！ 请仔细阅读所有安全警告和说明。如未遵守警告和说明，可能会导致触电、火灾和 / 或严重伤害。

请妥善保存所有警告和说明，以备将来查阅。警告中的术语“电动工具”是指电源供电式（有线）或电池供电式（无线）电动工具。

1. 工作场所安全
 - a. 保持工作场地清洁和明亮。杂乱或阴暗的地方容易引发事故。
 - b. 不要在易爆环境中操作电动工具，如有易燃液体、气体或粉尘的环境。电动工具产生的火花可能会点燃粉尘或气体。
 - c. 操作电动工具时，切勿让儿童和闲人靠近。注意力分散会导致您放松控制。
2. 电气安全
 - a. 电动工具插头必须与同规格的插座匹配。禁止以任何方式改装插头。需接地的电动工具不能使用任何转换插头。使用未经改装的插头和与之匹配的插座可以降低触电的风险。
 - b. 避免人体接触接地表面，如管道、散热片、炉灶和冰箱等。身体接地会增加触电的风险。
 - c. 电动工具不可淋雨，不可置于潮湿环境中。电动工具进水会增加触电的风险。
 - d. 不要滥用电线。请勿使用电线搬运、拉动电动工具或拔下插头。保持电线远离热源、油、锐边或运动部件。电线受损或缠结会增加触电风险。
 - e. 在户外使用电动工具时，请使用适合户外使用的延长线。采用适合户外使用的电线可降低触电风险。
 - f. 如果必须在潮湿场合使用电动工具，请使用漏电保护装置 (RCD)。使用漏电保护器可减少触电的危险。注：“漏电保护装置 (RCD)”一词可能由“接地故障断路器 (GFCI)”或“漏电保护断路器 (ELCB)”一词代替。
3. 人身安全
 - a. 保持警觉。操作电动工具时注意操作，保持清醒。不要在疲倦，或受到药物、酒精或治疗的影响下使用电动工具。操作电动工具时，注意力稍有分散即有可能导致严重的人身伤害。
 - b. 使用个人防护装备。始终佩戴护目镜。在适用情况下使用防护装备（如防尘口罩、防滑安全鞋、安全帽或听力保护设备等）可减少人身伤害。
 - c. 避免意外启动。在连接电源和 / 或电池组之前，以及拿起或搬动工具之前，请确保开关处于关闭位置。搬动电动工具时把手指放在开关上，或者在电动工具的开关处于开启状态时接通电源都容易发生意外。
 - d. 在启动电动工具之前，先取下所有调节钥匙或扳手。连接在电动工具旋转部件上的扳手或调整键可能导致人身伤害。
 - e. 手不要伸得太长。时刻注意脚下和身体平衡。这样才能在意外情况下更好地控制电动工具。
 - f. 穿着得当。切勿穿宽松的衣服或佩戴首饰。让您的头发、衣服和手套远离运动部件。宽松的衣服、饰物或长发可能会被运动部件缠住。
 - g. 如果提供了与排屑装置和集尘设备连接用的装置，请确保这些装置连接完好且使用得当。使用集尘设备可减少与粉尘相关的危害。
4. 电动工具的使用和保养
 - a. 不要超负荷使用电动工具。根据用途选用适当的电动工具。适当的电动工具在设计的速率下能获得更好的工作效果，而且更加安全。
 - b. 不要使用开关失灵的电动工具。无法用开关控制的电动工具是很危险的，必须进行修理。
 - c. 进行任何调整、更换配件或存放电动工具之前，必须从电源上拔掉插头和 / 或从电动工具上卸下电池组。这种预防性安全措施能降低电动工具意外启动的风险。
 - d. 将闲置的电动工具存放在儿童接触不到的地方，并且不能让不熟悉电动工具或对这些说明不了解的人员操作。让未经培训的用户操作电动工具是很危险的。
 - e. 维护电动工具。检查运动部件的偏差或卡住、零件破损情况和影响电动工具运行的其它条件。如果电动工具受损，则须对其进行修理方可使用。许多事故都是因电动工具维护不良而导致的。
 - f. 保持刀具锋利、清洁。妥善维护的锋利刀具在操作时不容易卡住，并且更容易控制。

g. 在使用电动工具、附件以及工具刀头等时，请遵循这些说明并考量具体的工作条件以及要执行的工作。将电动工具用于设计之外的操作时可能会发生危险。

5. 检修

a. 将您的电动工具交由合格的维修人员，只能使用相同的替换部件进行更换。这样可以确保电动工具的安全性。

- ◆ 接触旋转 / 运动部件时所导致的伤害风险。
- ◆ 更换部件、锯片或配件时的伤害风险。
- ◆ 长期使用工具的伤害风险。长期使用任何工具时，均应定期休息。
- ◆ 听力损伤。
- ◆ 吸入工具使用过程中产生的粉尘导致的健康危害（例如，锯切木材，特别是橡木、山毛榉和中密度纤维板时）。

电锤安全警告



警告！电锤附加安全警告

- ◆ 戴好耳罩。暴露在噪声中会引起听力损伤。
- ◆ 使用电锤随附的辅助手柄。操作失手会引起人身伤害。
- ◆ 在切削附件可能触及暗线或其自身软线之处进行操作时，要通过绝缘握持面来握持工具。切削附件碰到带电导线会使工具外露的金属零件带电从而使操作者受到电击。
- ◆ 切勿在旋转模式下使用凿子配件。附件将卡在材料中并旋转电钻。
- ◆ 使用夹具或其他可行方法来固定和支撑工件，将其固定到稳定的平台上。手持或用身体顶住工件都是不稳定的，会导致操作失控。
- ◆ 在墙上、地板或天花板上钻孔之前，请检查电线和钢管位置。
- ◆ 不要在钻孔后立刻碰触可能还发烫的钻头尖端。
- ◆ 本说明手册描述了工具的设计用途。使用非本使用手册所建议的任何其他附件或配件，或者使用本工具执行非手册建议的任何其他操作，都可能存在人身伤害和 / 或财产损失的危险。

注：电源电压：连接到主电源时，必须验证电源电压与电动工具的电压是否匹配。若电源电压大于电动工具所示的电压，用户可能会在事故中受到严重伤害，工具可能会损坏。相反，若电源电压小于电动工具所需的电压，可能会导致电机损坏。因此，若无法验证电压，不可将插头插入电源中。

其他风险









使用工具时，可能出现本安全警示之外的其他风险。这些风险可能来自使用不当、使用时间过长等。尽管遵守了相关的安全法规并采用了安全装备，某些风险仍然是无法避免的。这些风险包括：

他人安全

- ◆ 本设备不适合体力、感官或智力不足以及缺乏经验、知识的人员（包括儿童），除非负责他们安全的人员已经为他们提供关于使用此设备的监督或指示。
- ◆ 必须监督儿童，确保他们不将此设备当做玩具来玩。

工具上的标签

工具上显示下列符号和日期码：

	警告！为降低伤害风险，用户必须在使用前阅读说明手册。		
	请佩戴听力保护器。		
	请务必佩戴安全眼镜或护目镜。		
V	伏特		直流电
安培	安培	n_0	空载转速
赫兹	赫兹		II 级结构
瓦	瓦特		接地终端
分钟	分钟		安全警告标识
	交流电	/分	每分钟旋或往复次数

日期码的位置 (图 A)

日期码 (10) 印在工具外壳上, 其中还包含制造年份。

示例:

2016 XX JN
制造年份

包装内容

包装内的物品包括:

- 1 个轻型电锤
- 1 个侧手柄
- 1 个限深器
- 1 个工具箱
- 1 电钻夹头 (选配)
- 1 钻头 (选配)
- 1 本使用手册
- ◆ 检查工具、部件或配件是否在运输过程中损坏。
- ◆ 操作前, 请抽空仔细阅读并掌握本手册。

电气安全



本工具采用双重绝缘, 因此无需接地线。请务必检查电源电压是否与铭牌上的电压一致。



如果电源线损坏, 必须让制造商或授权的 Black and Decker 服务中心更换以避免发生危险。

使用延长线

如果需要使用延长线, 请使用与此工具输入功率规格相匹配的经认证的延长线。导线的最小横截面积为 1.5 平方毫米。在卷起线缆之前, 应清理线缆, 避免缠绕。

线缆横截面积 (平方毫米)	线缆额定电流 (安培)
0.75	6
1.	10

1.50	15
2.50	20
4.00	25

线缆长度 (米)

	7.5	15	25	30	45	60
--	-----	----	----	----	----	----

电压	安培	线缆额定电流 (安培)					
		6	6	6	6	6	10
115	0 - 2.-	6	6	6	6	6	10
	2.1 - 3.4	6	6	6	6	15	15
	3.5 - 5.0	6	6	10	15	20	20
230	5.1 - 7.0	10	10	15	20	20	25
	7.1 - 12.0	15	15	20	25	25	-
	12.1 - 20.0	20	20	25	-	-	-
115	0 - 2.0	6	6	6	6	6	6
	2.1 - 3.4	6	6	6	6	6	6
	3.5 - 5.0	6	6	6	6	10	15
230	5.1 - 7.0	10	10	10	10	15	15
	7.1 - 12.0	15	15	15	15	20	20
	12.1 - 20.0	20	20	20	20	25	-

特性 (图 A, 图 D)

本工具包含如下部分或全部部件。

1. 主手柄
2. 锁定按钮
3. 变速开关
4. 正 / 反转杆
5. 模式选择器
6. 套管
7. 工具夹头
8. 限深器

9. 侧手柄
10. 日期码
11. SDS 钻头
12. 电钻夹头
13. 钻头

装配

警告！ 组装前，请确保关闭工具电源并拔出工具插头。

安装侧手柄（图 A）

警告！ 为了您的安全，请在使用该工具时使用侧手柄 (9)。

侧手柄可根据需要安装，以适合右手和左手用户的需要。

- ◆ 逆时针转动手柄，直到您可以将侧手柄滑动至工具正面为止。
- ◆ 将侧手柄转入所需位置。
- ◆ 通过顺时针转动手柄转紧侧手柄。

警告！ 使用本工具时，请记住正确安装侧手柄。

安装配件（图 A）

- ◆ 清洁并润滑附件杆 (11)。
- ◆ 将配件杆插入工具夹头 (7)。
- ◆ 按下配件并稍微转动，直到配件安装到插槽里。
- ◆ 拉动配件以检查它是否锁定到位。敲击与钻孔功能需要配件在锁定到工具夹头中时可以轴向移动数厘米。
- ◆ 如果要取出配件，请向后拉动套管 (6)，然后将配件从工具夹头中拉出。

用途

警告！ 更换配件时请务必佩戴手套。工具和附件上的裸露金属部分可能会在操作过程中变得非常热。请在操作工具时使用正常负载。请勿过载。请勿滥用工具，若要正确使用工具，请参见说明手册。

警告！ 在墙上、地板或天花板上钻孔之前，请检查电线和管道位置。

设置钻孔深度（图 A）

限深器是方便的功能部件，能确保钻孔深度的一致性。请松开侧手柄，根据所需深度调整深度计。调整后，紧固侧手柄。

- ◆ 通过逆时针转动手柄转松侧手柄 (9)。
- ◆ 将限深器 (8) 设置到所需位置。最大钻孔深度相等于钻头尖端与深度尺前末端之间的距离。
- ◆ 通过顺时针转动手柄转紧侧手柄。

开启和关闭（图 A）

警告！ 将插头插入电源之前，请确保可以自由按下开关，并在放开后能回到原始位置。请在打开电源之前检查开关锁定位置，确保在将插头插入电源之前开关处于锁闭状态。

- ◆ 要开启工具电源，请按下变速开关 (3)。工具转速取决于按压开关的程度。
- ◆ 按照常规，使用大直径钻头时采用低速，使用小直径钻头时则采用高速。
- ◆ 要使工具连续运行，请按下锁定按钮 (2)，然后松开变速开关。
- ◆ 要关闭工具电源，请松开变速开关。

要在持续操作时关闭工具电源，请再次按下变速开关然后松开。

警告！ 在用户离开时，或在抬起、运输、操纵和放置工具时，请确保工具已关闭并已拔出插头。

安装电钻夹头（图 D）

可选配件

- ◆ 根据附件安装指示，将电钻夹头 (12) 插入到工具夹头 (7) 中。
- ◆ 转动电钻夹头，以松开电钻夹头前端的夹具，然后将配件杆 (13) 插入到夹头中，向反方向转动夹头。
- ◆ 您还可以使用电钻夹头锁匙来紧固夹头。



警告： 切勿在旋转锤击模式下使用标准夹头

选择操作模式（图 B）

本工具可在以下三种操作模式下使用：



旋转钻孔： 用于螺丝安装以及在钢材、木材和塑胶上钻孔



锤钻： 用于在混凝土和砖石上钻孔。钻头旋转：非工作位置，仅用于将平凿旋转到所需的位置



仅敲击： 用于轻型凿切、凿打和破碎应用。在此模式下，工具还可用作杠杆，便于取出卡住的钻头。

1. 要选择操作模式，请按下模式选择器按钮，并

旋转模式选择器开关 (5)，直到其指向所需的模式符号为止。

2. 松开模式选择器按钮，并检查模式选择器开关是否锁定到位。



警告！ 在工具运行时切勿选择操作模式。

正确的手持方式 (图 A、图 E)



警告！ 为降低严重的人身伤害风险，请务必使用正确的手持方式，如图所示。



警告！ 为降低严重的人身伤害风险，请务必紧握工具以防止意外事件。

正确的手持方式要求一只手握住侧手柄 (9)，另一只手则握住主手柄 (1)。

旋转钻孔 (图 B、图 C1/C2)

- ◆ 在钢材、木材和塑料上钻孔，或执行螺旋操作时，请将操作模式选择器 (5) 设置到其应处位置。
- ◆ 安装电钻夹头组件。
- ◆ 插入相应的钻头。旋转平头螺丝时务必使用带探测套管的钻头。
- ◆ 在钢材、木材和塑料上钻孔时，请将正 / 反转杆 (4) 设置到正向位置 (图 C1)。使用螺丝起子功能时，拧紧螺丝可将正 / 反转杆 (4) 设置到正向位置 (图 C1)，松开螺丝可将正 / 反转杆 (4) 设置到反向位置 (图 C2)。

警告！ 切勿在敲击钻孔模式下使用电钻夹头。

敲击钻孔 (图 B)

- ◆ 在砖石和混凝土中进行敲击钻孔时，请将操作模式选择器 (5) 设置到 位置。
- ◆ 钻头必须对准钻孔位置。对准之后，拉动开关以获得最佳效果。请确保工具位于正确位置，防止电钻偏离孔的位置。
- ◆ 若钻孔受到碎屑或粉尘的堵塞，请勿再施加压力。在将钻头部件从孔中取出之前，工具应处于自由运转的状态。若重复多次，将清除孔中的堵塞，可以继续正常钻孔。

警告！ 钻头接触到水泥或水泥中的钢筋时，工具可能会发生危险的反冲。请始终握牢工具，并保持平衡稳固的姿势，以防止危险的反冲。

过载耦合设备

若钻头遭夹住或勾住，将截断传送至电钻轴的动

力。这将产生强烈的反冲，因此需要双手握紧工具以保持平稳姿势。

凿切和凿打 (图 B)

- ◆ 将模式选择器开关 (5) 设定为“仅敲击” 位置。
- ◆ 插入相应的凿子，然后用手旋转以使其锁定到位。
- ◆ 根据需要调整侧手柄 (9)。
- ◆ 开启工具并开始工作。
- ◆ 作业结束后，务必先关闭工具开关，然后再拔下工具插头。



警告！ 切勿使用本工具混合或搅动易燃或易爆液体 (汽油、酒精等)。切勿混合或搅拌具有易燃标签的液体。

配件

电动工具的性能取决于所使用的附件。Stanley 配件按照高质量标准设计，旨在增强电动工具的性能。使用这些配件会令您的工具如虎添翼。

维护

Stanley 插电式 / 充电式设备 / 工具设计精良，可以长期使用，而且只需极少的维护。若要确保获得满意的操作效果，必须定期维护并清洁工具。



警告！ 为降低人身伤害的风险，在拆、装配件或调整、修理工具之前，请关闭工具并拔下工具插头。请确保触发开关处于 OFF (关闭) 位置。意外启动可能会导致人身伤害。

- ◆ 本工具不允许用户自行维修。如果发生问题，请联系授权维修代理。
- ◆ 当碳刷磨损时，工具将自动关闭。
- 警告！** 对有线 / 无线电动工具进行任何维护工作之前，必须：
 - ◆ 关闭电源并拔下设备 / 工具插头。
 - ◆ 如果设备 / 工具配有独立电池组，关闭电源并从设备 / 工具上取下电池。
 - ◆ 如果配有一体式电池，把电池电量耗尽后关闭电源。
 - ◆ 清洁之前将充电器拔下。除了定期清洁外，本充电器无需其他维护。
 - ◆ 定期使用软刷或干布清洁设备 / 工具 / 充电器内的通风槽。
 - ◆ 定期使用湿布清洁电动机外壳。请勿使用任

何研磨性或溶剂型清洁剂。

- ◆ 定期打开并轻拍夹头以清除内部粉尘（安装时）。



润滑

本电动工具无需另行润滑。SDS Plus 设备中使用的附件和配件必须定期进行润滑。



清洁



警告！一旦看到通风口及其周围积聚了尘屑，请用干燥的空气将灰尘和尘屑从主机外壳内吹出。执行此过程时，需戴上经认可的护目装备和防尘面具。



警告！请勿使用溶剂或其它刺激性化学制品来清洁工具的非金属部件。这些化学制品可能会削弱这些部件使用的材料。只使用温和的肥皂和湿布清洁本工具。切勿让任何液体渗入工具，切勿使用汽油或其他化学制品进行清洁，切勿让工具的任何部件浸在液体中。

可选配件



警告！除了 Stanley 提供的配件之外，其他配件都未经此产品兼容性测试，如果将此类配件与本工具一起使用将存在安全隐患。为降低伤害风险，本产品仅可使用 Stanley 推荐的配件。有各种不同类型的 SDS Plus 钻头和凿子可供选购。请向您的经销商咨询更多关于合适配件的信息。

保护环境



分类回收。本产品不得与普通家庭垃圾一起处理。

如果您发现您的史丹利产品需要进行替换，或您已经不再需要使用这些产品，请不要将它们与家庭废物一起处理。请将其分类，以便分类回收。



分类回收使用过的产品和包装能够让材料得以再循环和再利用。再生材料的再利用有助于防止环境污染，并降低对原材料的需求。

某些当地政府可能会要求当地或市政的废物处理中心或新产品零售商提供家用电子产品回收服务。

备注

STANLEY 的政策是持续改进我们的产品，因此，我们保留随时更改产品规格的权利，恕不另行通知。

标准设备和附件可能会因国家（地区）而异。不同国家（地区）的产品规格也可能会有所不同。并非所有的国家（地区）都可提供完整的产品系列。有关各产品系列的供货情况，请联系您当地的 STANLEY 经销商。

技术参数

电钻		SHR263
类型		A9
电压	V	220
频率	赫兹	50
输入功率	瓦	800
空载转速	分钟	0-1150
冲击率	bpm	0-4300
冲击能量 (NON EPTA)	焦	3.4
模式		3
最大钻孔能力	毫米	
- 混凝土		26
- 钢材		13
- 木材		30
重量	千克	2.6

制造商地址：中国（上海）自由贸易试验区泰谷路 88 号丰谷大楼 676A 室
 制造商：史丹利五金工具（上海）有限公司
 产地：江苏启东

