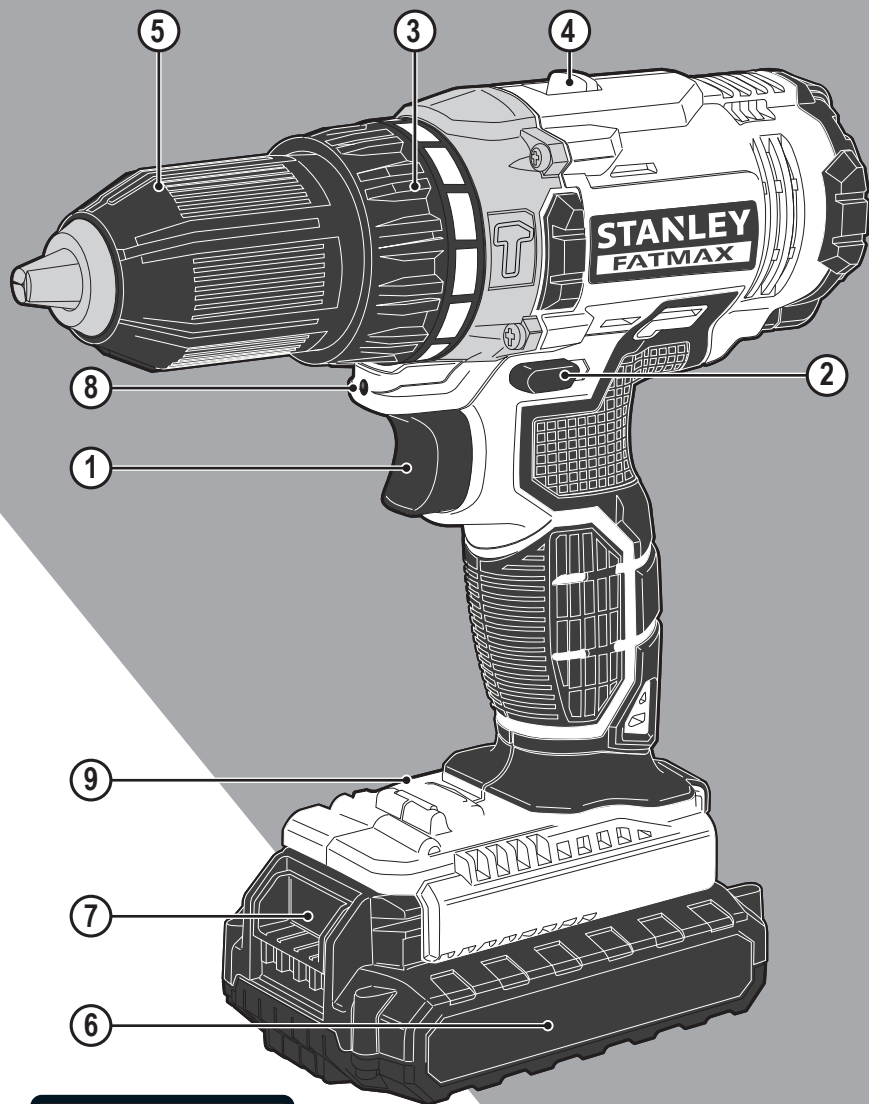


STANLEY®

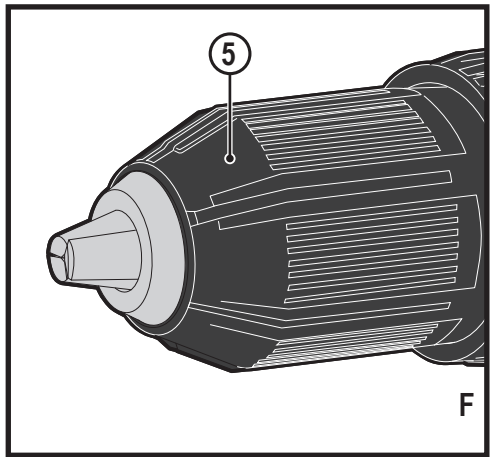
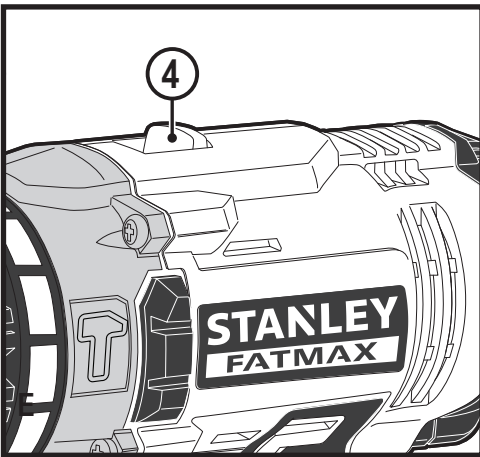
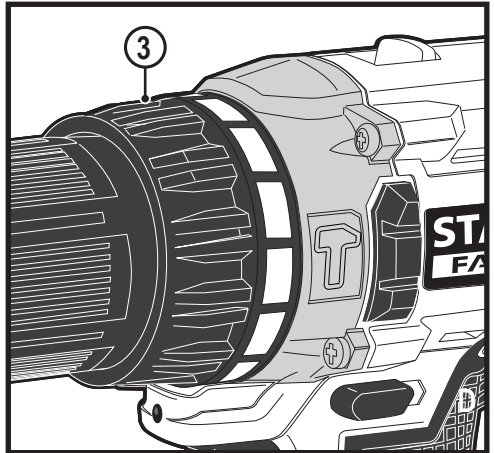
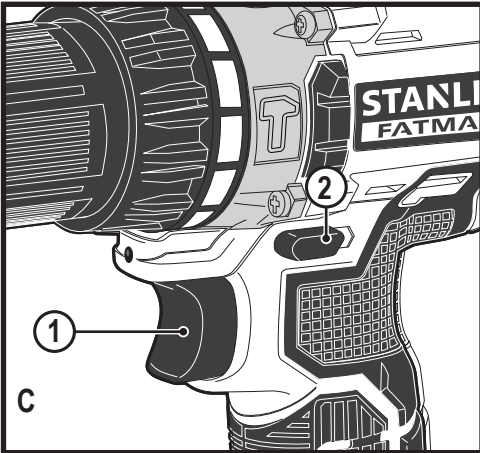
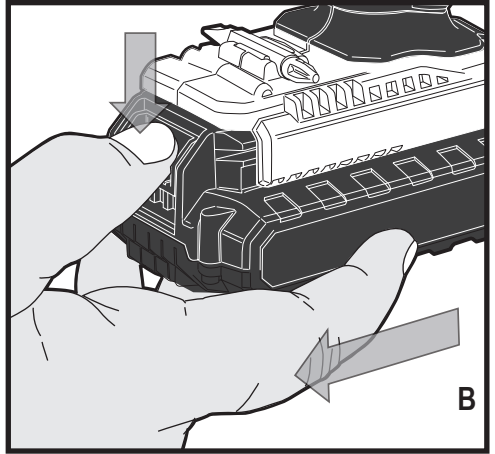
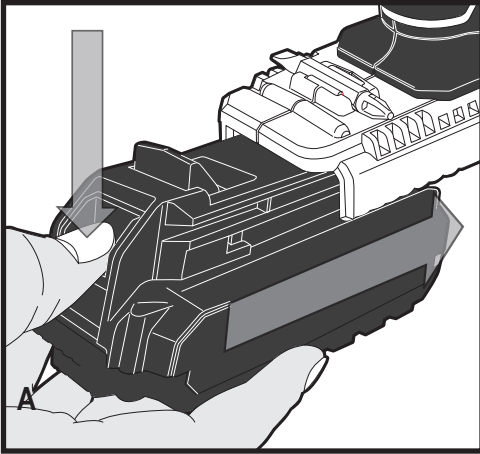
FATMAX®



www.stanley.eu

FMC626

English (original instructions)	4
Deutsch (<i>übersetzt von den originalanweisungen</i>)	12
Français (<i>traduction de la notice d'instructions originale</i>)	21
Italiano (<i>tradotto dalle istruzioni originali</i>)	29
Nederlands (<i>vertaald vanuit de originele instructies</i>)	38
Español (<i>traducido de las instrucciones originales</i>)	47
Português (<i>traduzido das instruções originais</i>)	56
Svenska (<i>översatt från de ursprungliga instruktionerna</i>)	64
Norsk (<i>oversatt fra de originale instruksjonene</i>)	72
Dansk (<i>oversat fra original brugsvejledning</i>)	80
Suomi (<i>käännetty alkuperäisestä käyttöohjeesta</i>)	88
Ελληνικά (<i>μετάφραση από τις πρωτότυπες οδηγίες</i>)	96



Intended use

Your Stanley Fat Max FMC626 drill/screwdriver has been designed for screwdriving applications and for drilling in wood, metal, plastics and soft masonry. This appliance is intended for professional and private, non professional users.

Safety instructions

General power tool safety warnings



Warning! Read all safety warnings, instructions, illustrations and specifications provided with this power tool. Failure to follow the warnings and instructions listed below may result in electric shock, fire and/or serious injury.

Save all warnings and instructions for future reference.

The term "power tool" in all of the warnings listed below refers to your mains operated (corded) power tool or battery operated (cordless) power tool.

1. **Work area safety**
 - a. **Keep work area clean and well lit.** Cluttered or dark areas invite accidents.
 - b. **Do not operate power tools in explosive atmospheres, such as in the presence of flammable liquids, gases or dust.** Power tools create sparks which may ignite the dust or fumes.
 - c. **Keep children and bystanders away while operating a power tool.** Distractions can cause you to lose control.
2. **Electrical safety**
 - a. **Power tool plugs must match the outlet. Never modify the plug in any way. Do not use any adapter plugs with earthed (grounded) power tools.** Unmodified plugs and matching outlets will reduce risk of electric shock.
 - b. **Avoid body contact with earthed or grounded surfaces such as pipes, radiators, ranges and refrigerators.** There is an increased risk of electric shock if your body is earthed or grounded.
 - c. **Do not expose power tools to rain or wet conditions.** Water entering a power tool will increase the risk of electric shock.
 - d. **Do not abuse the cord. Never use the cord for carrying, pulling or unplugging the power tool. Keep cord away from heat, oil, sharp edges or moving parts.** Damaged or entangled cords increase the risk of electric shock.
 - e. **When operating a power tool outdoors, use an extension cord suitable for outdoor use.** Use of a cord suitable for outdoor use reduces the risk of electric shock.
3. **Personal safety**
 - a. **Stay alert, watch what you are doing and use common sense when operating a power tool. Do not use a power tool while you are tired or under the influence of drugs, alcohol or medication.** A moment of inattention while operating power tools may result in serious personal injury.
 - b. **Use personal protective equipment. Always wear eye protection.** Protective equipment such as dust mask, non-skid safety shoes, hard hat, or hearing protection used for appropriate conditions will reduce personal injuries.
 - c. **Prevent unintentional starting. Ensure the switch is in the off-position before connecting to power source and/or battery pack, picking up or carrying the tool.** Carrying power tools with your finger on the switch or energising power tools that have the switch on invites accidents.
 - d. **Remove any adjusting key or wrench before turning the power tool on.** A wrench or a key left attached to a rotating part of the power tool may result in personal injury.
 - e. **Do not overreach. Keep proper footing and balance at all times.** This enables better control of the power tool in unexpected situations.
 - f. **Dress properly. Do not wear loose clothing or jewellery. Keep your hair, clothing and gloves away from moving parts.** Loose clothes, jewellery or long hair can be caught in moving parts.
 - g. **If devices are provided for the connection of dust extraction and collection facilities, ensure these are connected and properly used.** Use of dust collection can reduce dust-related hazards.
 - h. **Do not let familiarity gained from frequent use of tools allow you to become complacent and ignore tool safety principles.** A careless action can cause severe injury within a fraction of a second.
4. **Power tool use and care**
 - a. **Do not force the power tool. Use the correct power tool for your application.** The correct power tool will do the job better and safer at the rate for which it was designed.
 - b. **Do not use the power tool if the switch does not turn it on and off.** Any power tool that cannot be controlled with the switch is dangerous and must be repaired.
 - c. **Disconnect the plug from the power source and/or the battery pack from the power tool before making any adjustments, changing accessories, or storing power**
- f. **If operating a power tool in a damp location is unavoidable, use a residual current device (RCD) protected supply.** Use of an RCD reduces the risk of electric shock.

tools. Such preventive safety measures reduce the risk of starting the power tool accidentally.

- d. **Store idle power tools out of the reach of children and do not allow persons unfamiliar with the power tool or these instructions to operate the power tool.** Power tools are dangerous in the hands of untrained users.
 - e. **Maintain power tools. Check for misalignment or binding of moving parts, breakage of parts and any other condition that may affect the power tools operation. If damaged, have the power tool repaired before use.** Many accidents are caused by poorly maintained power tools.
 - f. **Keep cutting tools sharp and clean.** Properly maintained cutting tools with sharp cutting edges are less likely to bind and are easier to control.
 - g. **Use the power tool, accessories and tool bits etc. in accordance with these instructions, taking into account the working conditions and the work to be performed.** Use of the power tool for operations different from those intended could result in a hazardous situation.
 - h. **Keep handles and grasping surfaces dry, clean and free from oil and grease. Slippery handles and grasping surfaces do not allow for safe handling and control of the tool in unexpected situations.**
5. **Battery tool use and care**
 - a. **Recharge only with the charger specified by the manufacturer.** A charger that is suitable for one type of battery pack may create a risk of fire when used with another battery pack.
 - b. **Use power tools only with specifically designated battery packs.** Use of any other battery packs may create a risk of injury and fire.
 - c. **When battery pack is not in use, keep it away from other metal objects, like paper clips, coins, keys, nails, screws, or other small metal objects, that can make a connection from one terminal to another.** Shorting the battery terminals together may cause burns or a fire.
 - d. **Under abusive conditions, liquid may be ejected from the battery; avoid contact. If contact accidentally occurs, flush with water. If liquid contacts eyes, additionally seek medical help.** Liquid ejected from the battery may cause irritation or burns.
 - e. **Do not use a battery pack or tool that is damaged or modified.** Damaged or modified batteries may exhibit unpredictable behaviour resulting in fire, explosion or risk of injury.
 - f. **Do not expose a battery pack or tool to fire or excessive temperature.** Exposure to fire or temperature above 130 °C may cause explosion.
 - g. **Follow all charging instructions and do not charge the battery pack or tool outside the temperature range**

specified in the instructions. Charging improperly or at temperatures outside the specified range may damage the battery and increase the risk of fire.

6. Service

- a. **Have your power tool serviced by a qualified repair person using only identical replacement parts.** This will ensure that the safety of the power tool is maintained.
- b. **Never service damaged BATTERY packs.** Service of BATTERY packs should only be performed by the manufacturer or authorized service providers.

Additional power tool safety warnings



Warning! Additional safety warnings for screw-drivers.

- ◆ **Hold the power tool by insulated gripping surfaces, when performing an operation where the cutting accessory may contact hidden wiring.** Cutting accessory contacting a "live" wire may make exposed metal parts of the power tool "live" and could give the operator an electric shock.
- ◆ **Wear ear protectors with impact drilling.** Exposure to noise can cause hearing loss.
- ◆ **Use auxiliary handles supplied with the tool.** Loss of control can cause personal injury.
- ◆ **Brace the tool properly before use.** This tool produces a high output torque and without properly bracing the tool during operation, loss of control may occur resulting in personal injury.

Safety instructions when using long drill bits

- ◆ **Never operate at higher speed than the maximum speed rating of the drill bit.** At higher speeds, the bit is likely to bend if allowed to rotate freely without contacting the workpiece, resulting in personal injury.
- ◆ **Always start drilling at low speed and with the bit tip in contact with the workpiece.** At higher speeds, the bit is likely to bend if allowed to rotate freely without contacting the workpiece, resulting in personal injury.
- ◆ **Apply pressure only in direct line with the bit and do not apply excessive pressure.** Bits can bend causing breakage or loss of control, resulting in personal injury.
- ◆ **Use clamps or another practical way to secure and support the work piece to a stable platform. Holding the work by hand or against your body leaves it unstable and may lead to loss of control.**
- ◆ **Before driving fasteners into walls, floors or ceilings, check for the location of wiring and pipes.**
- ◆ **The intended use is described in this instruction manual.**

- ◆ The use of any accessory or attachment or performance of any operation with this tool other than those recommended in this instruction manual may present a risk of personal injury and/or damage to property.

Safety of others

- ◆ This tool is not intended for use by persons (including children) with reduced physical, sensory or mental capabilities, or lack of experience and knowledge, unless they have been given supervision or instruction concerning use of the tool by a person responsible for their safety.
- ◆ Children should be supervised to ensure that they do not play with the appliance.

Residual risks

Additional residual risks may arise when using the tool which may not be included in the enclosed safety warnings. These risks can arise from misuse, prolonged use etc. Even with the application of the relevant safety regulations and the implementation of safety devices, certain residual risks can not be avoided. These include:

- ◆ Injuries caused by touching any rotating/moving parts.
- ◆ Injuries caused when changing any parts, blades or accessories.
- ◆ Injuries caused by prolonged use of a tool. When using any tool for prolonged periods ensure you take regular breaks.
- ◆ Impairment of hearing.
- ◆ Health hazards caused by breathing dust developed when using your tool (example:- working with wood, especially oak, beech and MDF.)

Vibration

The declared vibration emission values stated in the technical data and the declaration of conformity have been measured in accordance with a standard test method provided by EN 62841 and may be used for comparing one tool with another. The declared vibration emission value may also be used in a preliminary assessment of exposure.

Warning! The vibration emission value during actual use of the power tool can differ from the declared value depending on the ways in which the tool is used. The vibration level may increase above the level stated.

When assessing vibration exposure to determine safety measures required by 2002/44/EC to protect persons regularly using power tools in employment, an estimation of vibration exposure should consider, the actual conditions of use and the way the tool is used, including taking account of all parts of the operating cycle such as the times when the tool is switched off and when it is running idle in addition to the trigger time.

Labels on tool

The following symbols are shown on the tool along with the date code:



Warning! To reduce the risk of injury, the user must read the instruction manual.



Wear ear protectors with impact drills. Exposure to noise can cause hearing loss



Do not stare at operating lamp

Additional safety instructions for batteries and chargers (Not provided with the tool)

Batteries

- ◆ Never attempt to open for any reason.
- ◆ Do not expose the battery to water.
- ◆ Do not store in locations where the temperature may exceed 40 °C.
- ◆ Charge only at ambient temperatures between 10 °C and 40 °C.
- ◆ Charge only using the charger provided with the tool.
- ◆ When disposing of batteries, follow the instructions given in the section "Protecting the environment".



Do not attempt to charge damaged batteries.

Chargers

- ◆ Use your Stanley Fat Max charger only to charge the battery in the tool with which it was supplied. Other batteries could burst, causing personal injury and damage.
- ◆ Never attempt to charge non-rechargeable batteries.
- ◆ Have defective cords replaced immediately.
- ◆ Do not expose the charger to water.
- ◆ Do not open the charger.
- ◆ Do not probe the charger.



The charger is intended for indoor use only.



Read the instruction manual before use.

Electrical safety



Your charger is double insulated; therefore no earth wire is required. Always check that the mains voltage corresponds to the voltage on the rating plate. Never attempt to replace the charger unit with a regular mains plug.

- ◆ If the supply cord is damaged, it must be replaced by the manufacturer or an authorised Stanley Fat Max Service Centre in order to avoid a hazard.

Features

This appliance includes some or all of the following features.

1. Trigger Switch
2. Forward/Reverse Button
3. Torque Adjust Collar
4. Dual Range Gear Selector
5. Keyless Chuck
6. Battery
7. Battery Release Button
8. LED Work Light
9. Bit Tip Holder

Use

Warning! Let the tool work at its own pace.

Do not overload.

Charging the battery

The battery needs to be charged before first use and whenever it fails to produce sufficient power on jobs that were easily done before. The battery may become warm while charging; this is normal and does not indicate a problem.

Warning! Do not charge the battery at ambient temperatures below 10 °C or above 40 °C. Recommended charging temperature: approx. 24 °C.

Note: The charger will not charge a battery if the cell temperature is below approximately 10 °C or above 40 °C.

The battery should be left in the charger and the charger will begin to charge automatically when the cell temperature warms up or cools down.

- ◆ Plug the charger into an appropriate outlet before inserting the battery pack.
- ◆ Insert the battery pack into the charger.



The green LED will flash indicating that the battery is being charged.



The completion of charge is indicated by the green LED remaining on continuously. The pack is fully charged and may be used at this time or left in the charger

Warning! Recharge discharged batteries as soon as possible after use or battery life may be greatly diminished.

Charger diagnostics

This charger is designed to detect certain problems that can arise with the battery packs or the power source. Problems are indicated by one LED flashing in different patterns.

Bad Battery



The charger can detect a weak or damaged battery. The red LED flashes in the pattern indicated on the label. If you see this bad battery blink pattern, do not continue to charge the battery. Return it to a service centre or a collection site for recycling

Hot/Cold Pack Delay



When the charger detects a battery that is excessively hot or excessively cold, it automatically starts a Hot/Cold Pack delay, suspending charging until the battery has normalised. After this happens, the charger automatically switches to the Pack Charging mode. This feature ensures maximum battery life. The red LED flashes in the pattern indicated on the label when the Hot/Cold pack delay is detected.

Problem Power Line



When the charger is used with some portable power sources such as generators or sources that convert DC to AC, the charger may temporarily suspend operation. The LED flashes in the pattern indicated on the label. This indicates that the power source is out of limits.

Leaving the battery in the charger

The charger and battery pack can be left connected with the LED glowing indefinitely. The charger will keep the battery pack fresh and fully charged.

Important charging Notes

- ◆ Longest life and best performance can be obtained if the battery pack is charged when the air temperature is

between 65°F and 75°F (18° - 24°C). DO NOT charge the battery pack in an air temperature below +40°F (+4.5°C), or above +105°F (+40.5°C). This is important and will prevent serious damage to the battery pack.

- ◆ The charger and battery pack may become warm to touch while charging. This is a normal condition, and does not indicate a problem. To facilitate the cooling of the battery pack after use, avoid placing the charger or battery pack in a warm environment such as in a metal shed, or an uninsulated trailer.
- ◆ If the battery pack does not charge properly:
 - ◆ Check current at receptacle by plugging in a lamp or other appliance.
 - ◆ Check to see if receptacle is connected to a light switch which turns power off when you turn out the lights.
 - ◆ Move charger and battery pack to a location where the surrounding air temperature is approximately 65°F - 75°F (18° - 24°C). d. If charging problems persist, take the tool, battery pack and charger to your local Stanley Fat Max service center.
- ◆ The battery pack should be recharged when it fails to produce sufficient power on jobs which were easily done previously.
- ◆ DO NOT CONTINUE to use under these conditions. Follow the charging procedure.
- ◆ You may also charge a partially used pack whenever you desire with no adverse affect on the battery pack.

Installing and Removing the Battery Pack from the tool

Warning! Make certain the lock-off button is engaged to prevent switch actuation before removing or installing battery.

To install battery pack

- ◆ Insert battery pack firmly into tool until an audible click is heard as shown in figure A. Ensure battery pack is fully seated and fully latched into position.

To remove battery pack

- ◆ Depress the battery release button (7) as shown in figure B and pull battery pack out of tool.

Trigger switch & forward/reverse button - figure C

- ◆ The drill is turned ON and OFF by pulling and releasing the trigger switch (1) shown in figure C. The farther the trigger is depressed, the higher the speed of the drill.
- ◆ A forward/reverse control button (2) determines the rotational direction of the tool and also serves as a lock off button.
- ◆ To select forward rotation, release the trigger switch and depress the forward/reverse control button on the right side of the tool.

- ◆ To select reverse, depress the forward/reverse control button on the left side of the tool.
- ◆ The center position of the control button locks the tool in the off position. When changing the position of the control button, be sure the trigger is released.

Adjusting torque control - figure D

This tool is fitted with a torque adjustment collar (3) to select the operating mode and to set the torque for tightening screws. Large screws and hard workpiece materials require a higher torque setting than small screws and soft workpiece materials.

- ◆ For drilling in wood, metal and plastics, set the collar to the drilling position symbol.
- ◆ For screwdriving, set the collar to the desired setting. If you do not yet know the appropriate setting, proceed as follows:
 - ◆ Set the collar to the lowest torque setting.
 - ◆ Tighten the first screw.
 - ◆ If the clutch ratchets before the desired result is achieved, increase the collar setting and continue tightening the screw.
 - ◆ Repeat until you reach the correct setting.
 - ◆ Use this setting for the remaining screws.

Dual range switch - figure E

The dual range feature of your drill allows you to shift gears for greater versatility.

- ◆ To select low speed, high torque setting (position 1), turn tool off and permit to stop. Slide gear shifter button (4) away from the chuck.
- ◆ To select the high speed, low torque setting (position 2), turn tool off and permit to stop. Slide gear shifter button back toward the chuck.

Note: Do not change gears when tool is running. If you are having trouble changing gears, make sure that the dual range gear button is either completely pushed forward or completely pushed back.

keyless chuck - figure F

Warning! Make certain the battery pack is removed to prevent tool actuation before installing or removing accessories.

To insert a drill bit or other accessory:

- ◆ Grasp the chuck (5) and rotate it in the counterclockwise direction, as viewed from the chuck end.
- ◆ Insert the bit or other accessory fully into the chuck, and tighten securely by rotating the chuck in the clockwise direction as viewed from the chuck end.

Warning! Do not attempt to tighten or loosen drill bits (or any other accessory) by gripping the front part of the chuck and turning the tool on. Damage to the chuck and personal injury may occur when changing accessories.

Screw driving

- ◆ For driving fasteners, the forward/reverse button should be pushed to the left.
- ◆ Use reverse (button pushed to the right) for removing fasteners.

Note: When moving from forward to reverse, or vice versa, always release the trigger switch first.

Drilling

- ◆ Use sharp drill bits only.
- ◆ Support and secure work properly, as instructed in the Safety Instructions.
- ◆ Use appropriate and required safety equipment, as instructed in the Safety Instructions.
- ◆ Secure and maintain work area, as instructed in the Safety Instructions.
- ◆ Run the drill very slowly, using light pressure, until the hole is started enough to keep the drill bit from slipping out of it.
- ◆ Apply pressure in a straight line with the bit. Use enough pressure to keep the bit biting but not so much as to stall the motor or deflect the bit.
- ◆ Hold the drill firmly with two hands, one hand on the handle, and the other gripping the bottom around the battery area or the auxiliary handle if provided.
- ◆ **DO NOT CLICK THE TRIGGER OF A STALLED DRILL OFF AND ON IN AN ATTEMPT TO START IT. DAMAGE TO THE DRILL CAN RESULT.**
- ◆ Minimize stalling on breakthrough by reducing pressure and slowly drilling through the last part of the hole.
- ◆ Keep the motor running while pulling the bit out of a drilled hole. This will help reduce jamming.
- ◆ Make sure switch turns drill on and off.

Drilling in wood

Holes in wood can be made with the same twist drill bits used for metal or with spade bits. These bits should be sharp and should be pulled out frequently when drilling to clear chips from the flutes.

Drilling in metal

Use a cutting lubricant when drilling metals. The exceptions are cast iron and brass which should be drilled dry. The cutting lubricants that work best are sulphurized cutting oil.

Drilling in masonry

For drilling in masonry, set the collar (3) to the hammer drilling position by aligning the symbol with the marking. Use carbide tipped masonry bits. Refer to Drilling section. Keep even force on the drill but not so much that you crack the brittle material. A smooth, even flow of dust indicates the proper drilling rate.

LED work light

When drill is activated by pulling the trigger switch (1), the integrated LED work light (8) will automatically illuminate the work area.

Note: The work light is for lighting the immediate work surface and is not intended to be used as a flashlight.

Bit tip storage

A bit storage slot (9) is built into the base of the tool.

Troubleshooting

Problem	Possible cause	Possible solution
Unit will not start.	Battery pack not installed properly.	Check battery pack installation.
	Battery pack not charged.	Check battery pack charging requirements
Unit starts immediately upon inserting battery	The switch has been left in the "on" position.	The switch must be moved to "off" to prevent the tool from immediately starting when battery is inserted.
Battery pack will not charge.	Battery pack not inserted into charger.	Insert battery pack into charger until LED lights.
	Charger not plugged in.	Plug charger into a working outlet.
	Surrounding air temperature too hot or too cold.	Move charger and battery pack to a surrounding air temperature of above 40 degrees F (45°C) or below 105 degrees F (+40.5°C)
Unit shuts off abruptly.	Battery pack has reached its maximum thermal limit.	Allow battery pack to cool down.
	Out of charge. (To maximize the life of the battery pack it is designed to shut off abruptly when the charge is depleted)	Place on charger and allow to charge.

Maintenance

Your Stanley Fat Max tool has been designed to operate over a long period of time with a minimum of maintenance. Continuous satisfactory operation depends upon proper tool care and regular cleaning.

Your charger does not require any maintenance apart from regular cleaning.

Warning! Before performing any maintenance on the tool, remove the battery from the tool. Unplug the charger before cleaning it.

- ◆ Regularly clean the ventilation slots in your tool and charger using a soft brush or dry cloth.

- ◆ Regularly clean the motor housing using a damp cloth. Do not use any abrasive or solvent-based cleaner.
- ◆ Regularly open the chuck and tap it to remove any dust from the interior.

EC declaration of conformity

MACHINERY DIRECTIVE



FMC626 - Cordless impact drill

Protecting the environment



Separate collection. Products and batteries marked with this symbol must not be disposed of with normal household waste.

Products and batteries contain materials that can be recovered or recycled reducing the demand for raw materials. Please recycle electrical products and batteries according to local provisions. Further information is available at www.2helpU.com.

Stanley Fat Max declares that these products described under "technical data" are in compliance with: 2006/42/EC, EN62841-1:2015, EN62841-2-1:2018+A11:2019.

These products also comply with Directive 2014/30/EU, and 2011/65/EU.

For more information, please contact Stanley Fat Max at the following address or refer to the back of the manual.

The undersigned is responsible for compilation of the technical file and makes this declaration on behalf of Stanley Fat Max.

Patrick Diepenbach

Patrick Diepenbach
 General Manager, Benelux
 Stanley Fat Max,
 Egide Walschaertsstraat 14-18
 2800 Mechelen, Belgium
 30/09/2021

**Declaration of conformity
 The Supply of Machinery (Safety)
 Regulations 2008**



FMC626 - Cordless impact drill

Stanley Fat Max declares that these products described under "technical data" are in compliance with: EN62841-1:2015, EN62841-2-1:2018+A11:2019.

These products conform to the following UK Regulations: The Supply of Machinery (Safety) Regulations, 2008, S.I. 2008/1597 (as amended).

Electromagnetic Compatibility Regulations, 2016, S.I.2016/1091 (as amended).

Technical data

		FMC626
Voltage	V _{DC}	18V
No-load speed	Min-1	0-350/0-1500
Max. torque	Nm	47
Chuck capacity	mm	13
Max Drilling capacity		
Steel/wood/masonry	mm	13/35/13
Weight	kg	1.2

		905998**	906086**
Charger			
Input voltage	V _{AC}	230	230
Output voltage	V _{DC}	18	18
Current	mA	1000	2000
Approx. charge time	Mins	80-240	40-120

		FMC685L	FMC687L	FMC684L
Battery				
Voltage	V _{AC}	18	18	18
Capacity	Ah	1.5	2.0	1.3
Type		Li-Ion	Li-Ion	Li-Ion

Level of sound pressure according to EN 62841:	
Sound pressure (L _{pA})	87.0 dB(A), uncertainty (K) 5 dB(A)
Sound power (L _{WA})	98.0 dB(A), uncertainty (K) 5 dB(A)

Vibration total values (triax vector sum) according to EN 60745:	
Drilling into metal (a _{h,D})	<2.5 m/s ² , uncertainty (K) 1.5 m/s ²
Impact drilling into concrete (a _{h,D})	14.9 m/s ² , uncertainty (K) 1.5 m/s ²

The Restriction of the Use of Certain Hazardous Substances in Electrical and Electronic Equipment Regulations 2012, S.I. 2012/3032 (as amended).

For more information, please contact Stanley Fat Max at the following address or refer to the back of the manual.

The undersigned is responsible for compilation of the technical file and makes this declaration on behalf of Stanley Fat Max.



Karl Evans
Vice President Professional Power Tools
Stanley Fat Max UK, 270 Bath Road, Slough
Berkshire, SL1 4DX
England
30/09/2021

Guarantee

Stanley Fat Max is confident of the quality of its products and offers consumers a 12 month guarantee from the date of purchase. This guarantee is in addition to and in no way prejudices your statutory rights. The guarantee is valid within the territories of the Member States of the European Union and the European Free Trade Area.

To claim on the guarantee, the claim must be in accordance with Stanley Fat Max Terms and Conditions and you will need to submit proof of purchase to the seller or an authorised repair agent. Terms and conditions of the Stanley Fat Max 1 year guarantee and the location of your nearest authorised repair agent can be obtained on the Internet at www.2helpU.com, or by contacting your local Stanley Fat Max office at the address indicated in this manual.

Please visit our website www.stanley.eu/3 to register your new Stanley Fat Max product and receive updates on new products and special offers

Verwendungszweck

Ihr Stanley Fat Max-Bohrschrauber FMC626 ist für Schraub- und Bohrarbeiten in Holz, Metall, Kunststoff und weichem Mauerwerk ausgelegt. Dieses Gerät ist zum gewerblichen und privaten Einsatz vorgesehen.

Sicherheitshinweise

Allgemeine Sicherheitswarnhinweise für Elektrowerkzeuge



Warnung! Beachten Sie alle Sicherheitshinweise, Anweisungen, Darstellungen und Daten, die Sie mit dem Gerät erhalten.

Das Nichtbeachten der unten aufgeführten Warnhinweise und Anweisungen kann zu elektrischem Schlag, Brand und/oder schweren Verletzungen führen.

Bewahren Sie alle Warnhinweise und alle Anweisungen auf. Der Begriff „Elektrowerkzeug“ in den Warnhinweisen bezieht sich auf Ihr netzbetriebenes Elektrowerkzeug (mit Kabel) oder auf Ihr akkubetriebenes (kabelloses) Elektrowerkzeug.

1. Sicherheit im Arbeitsbereich

- a. **Halten Sie Ihren Arbeitsbereich sauber und gut ausgeleuchtet.** Unaufgeräumte oder dunkle Bereiche begünstigen Unfälle.
- b. **Betreiben Sie das Gerät nicht in Umgebungen, in denen Explosionsgefahr z. B. aufgrund von brennbaren Flüssigkeiten, Gasen oder Staub besteht.** Elektrowerkzeuge erzeugen Funken, die den Staub oder die Dämpfe entzünden können.
- c. **Halten Sie Kinder und andere Personen während der Benutzung eines Geräts fern.** Ablenkung kann dazu führen, dass Sie die Kontrolle über das Gerät verlieren.

2. Elektrische Sicherheit

- a. **Der Netzstecker des Geräts muss in die Steckdose passen. Ändern Sie niemals den Stecker in irgendeiner Form. Verwenden Sie keinerlei Adapterstecker an geerdeten Elektrogeräten.** Unveränderte Stecker und passende Steckdosen mindern die Gefahr eines elektrischen Schlages.
- b. **Vermeiden Sie Körperkontakt mit geerdeten Oberflächen von Rohren, Heizungen, Herden und Kühlschränken.** Es besteht eine erhöhte Gefahr für einen elektrischen Schlag, wenn Ihr Körper geerdet ist.
- c. **Halten Sie Geräte von Regen und Nässe fern.** Wenn Wasser in das Elektrogerät eindringt, erhöht sich die Gefahr eines elektrischen Schlages.
- d. **Verwenden Sie das Kabel ordnungsgemäß. Verwenden Sie niemals das Kabel, um das**

Elektrogerät zu tragen oder durch Ziehen vom Netz zu trennen. Halten Sie das Kabel fern von Hitze, Öl, scharfen Kanten oder beweglichen Teilen. Beschädigte oder verhedderte Kabel erhöhen die Gefahr eines elektrischen Schlages.

- e. **Verwenden Sie nur für den Außenbereich zugelassene Verlängerungskabel, wenn Sie mit dem Gerät im Freien arbeiten.** Die Verwendung von für den Außeneinsatz geeigneten Kabeln mindert die Gefahr eines elektrischen Schlages.
- f. **Wenn das Gerät in einer feuchten Umgebung verwendet werden muss, schließen Sie es unbedingt an eine Steckdose mit Fehlerstromschutzschalter (FI-Schalter) an.** Der Einsatz eines Fehlerstromschutzschalters mindert die Gefahr eines elektrischen Schlages.

3. Persönliche Sicherheit

- a. **Seien Sie aufmerksam, achten Sie darauf, was Sie tun, und gehen Sie sachgerecht mit einem Gerät um. Benutzen Sie kein Elektrowerkzeug, wenn Sie müde sind oder unter dem Einfluss von Drogen, Alkohol oder Medikamenten stehen.** Ein Moment der Unachtsamkeit beim Betrieb eines Elektrogeräts kann zu schweren Verletzungen führen.
- b. **Verwenden Sie eine geeignete Schutzausrüstung. Tragen Sie immer einen Augenschutz.** Das Tragen persönlicher Schutzausrüstung, wie Staubmaske, rutschfeste Sicherheitsschuhe, Schutzhelm oder Gehörschutz, je nach Art und Einsatz des Elektrowerkzeugs, verringert das Risiko von Verletzungen.
- c. **Vermeiden Sie eine unbeabsichtigte Inbetriebnahme. Vergewissern Sie sich, dass der Schalter in der AUS-Position ist, bevor Sie das Gerät an die Stromversorgung und/oder an den Akku anschließen oder wenn Sie das Gerät aufnehmen oder tragen.** Wenn Sie beim Tragen des Elektrowerkzeugs den Finger am Schalter haben oder das Gerät eingeschaltet an die Stromversorgung anschließen, kann dies zu Unfällen führen.
- d. **Entfernen Sie Einstell- oder Schraubenschlüssel, bevor Sie das Gerät einschalten.** Werkzeuge oder Schlüssel, die an rotierenden Teilen des Elektrogerätes angebracht sind, können zu Verletzungen führen.
- e. **Beugen Sie sich nicht zu weit nach vorne. Sorgen Sie für einen sicheren Stand und halten Sie jederzeit das Gleichgewicht.** Dadurch können Sie das Elektrowerkzeug in unerwarteten Situationen besser kontrollieren.
- f. **Tragen Sie geeignete Kleidung. Tragen Sie keine weite Kleidung und keinen Schmuck. Halten Sie Ihre Haare, Kleidung und Handschuhe von beweglichen Teilen fern.** Lose sitzende Kleidung, Schmuck oder lange Haare können sich in den beweglichen Teilen verfangen.

- g. Falls Vorrichtungen zum Absaugen oder Auffangen von Staub vorhanden sind, vergewissern Sie sich, dass diese angeschlossen sind und richtig verwendet werden.** Der Einsatz von Staubsammlern kann staubbedingte Gefahren mindern.
- h. Werden Sie nicht durch häufigen Gebrauch von Werkzeugen unvorsichtig und ignorieren Sie niemals die Prinzipien des sicheren Umgangs mit Werkzeugen.** Eine unachtsame Handlung kann innerhalb von Sekundenbruchteilen zu schweren Verletzungen führen.
- 4. Gebrauch und Pflege von Elektrowerkzeugen**
- a. Überlasten Sie das Gerät nicht. Verwenden Sie das für Ihre Arbeit passende Elektrogerät.** Das richtige Gerät wird die Aufgabe besser und sicherer erledigen, wenn es bestimmungsgemäß verwendet wird.
- b. Verwenden Sie das Gerät nicht, wenn der Ein-/Ausschalter nicht funktioniert.** Ein Elektrowerkzeug, das sich nicht mehr ein- oder ausschalten lässt, ist gefährlich und muss repariert werden.
- c. Ziehen Sie den Stecker aus der Steckdose, oder trennen Sie das Gerät vom Akku, bevor Sie Einstellungen vornehmen, Zubehörteile wechseln oder das Gerät lagern.** Diese Vorbeugemaßnahmen mindern die Gefahr, dass das Elektrogerät unbeabsichtigt startet.
- d. Bewahren Sie unbenutzte Geräte außerhalb der Reichweite von Kindern auf. Lassen Sie Geräte nicht von Personen benutzen, die damit nicht vertraut sind oder diese Anweisungen nicht gelesen haben.** Elektrogeräte sind in den Händen nicht geschulter Personen gefährlich.
- e. Halten Sie das Gerät in einem einwandfreien Zustand. Prüfen Sie, ob bewegliche Teile verzogen oder ausgeschlagen, ob Teile gebrochen oder in einem Zustand sind, der den Betrieb des Elektrogerätes beeinträchtigen kann. Bei Beschädigungen lassen Sie das Elektrogerät reparieren, bevor Sie es verwenden.** Viele Unfälle entstehen wegen mangelnder Wartung der Elektrogeräte.
- f. Halten Sie Schneidgeräte scharf und sauber.** Richtig gewartete Schneidwerkzeuge mit scharfen Klingen blockieren seltener und sind leichter unter Kontrolle zu halten.
- g. Verwenden Sie Gerät, Zubehör, Einsatz-Bits usw. entsprechend diesen Anweisungen und berücksichtigen Sie dabei die Arbeitsbedingungen und die auszuführende Arbeit.** Wenn Sie das Elektrogerät für Aufgaben verwenden, die nicht bestimmungsgemäß sind, kann dies zu gefährlichen Situationen führen.
- h. Halten Sie Griffe und Oberflächen trocken, sauber und frei von Öl und Fett.** Rutschige Griffe und Oberflächen unterbinden die sichere Bedienbarkeit und Kontrolle über das Werkzeug in unerwarteten Situationen.
- 5. Gebrauch und Pflege von Akkuwerkzeugen**
- a. Laden Sie den Akku nur mit dem vom Hersteller vorgesehenen Ladegerät auf.** Für ein Ladegerät, das nur für eine bestimmte Akkuart geeignet ist, besteht Brandgefahr, wenn es mit anderen Akkus verwendet wird.
- b. Verwenden Sie nur die für das jeweilige Gerät vorgesehenen Akkus.** Die Verwendung anderer Akkus kann zu Verletzungen oder Bränden führen.
- c. Bewahren Sie den Akku bei Nichtbenutzung nicht in der Nähe metallischer Objekte wie Büroklammern, Münzen, Schlüsseln, Nägeln oder Schrauben auf, da diese eine Verbindung zwischen beiden Polen des Akkus herstellen können.** Durch den dadurch entstehenden Kurzschluss kann der Akku in Brand geraten.
- d. Bei falscher Anwendung kann Flüssigkeit aus dem Akku austreten. Vermeiden Sie den Kontakt damit. Bei unbeabsichtigtem Kontakt mit Wasser abspülen. Gelangt die Flüssigkeit in die Augen, ziehen Sie außerdem ärztliche Hilfe hinzu. Austretende Akkufflüssigkeit kann zu Hautreizungen oder Verbrennungen führen.**
- e. Verwenden Sie kein Akkupack oder Werkzeug, das beschädigt ist oder modifiziert wurde.** Beschädigte oder modifizierte Akkus können unvorhersehbare Reaktionen auslösen und zu Bränden, Explosionen oder Verletzungen führen.
- f. Setzen Sie das Akkupack oder Werkzeug keinem Feuer oder übermäßig hohen Temperaturen aus.** Die Belastung durch Feuer oder Temperaturen über 130 °C kann zur Explosion führen.
- g. Befolgen Sie alle Ladeanweisungen und laden Sie das Akkupack oder Werkzeug nicht außerhalb des in den Anweisungen festgelegten Temperaturbereichs auf.** Ein unsachgemäßer Ladevorgang oder Temperaturen außerhalb des festgelegten Bereichs können den Akku schädigen und die Brandgefahr erhöhen.
- 6. Service**
- a. Lassen Sie das Gerät nur von qualifiziertem Fachpersonal und nur mit Originalersatzteilen reparieren.** Damit wird sichergestellt, dass die Sicherheit des Gerätes erhalten bleibt.
- b. Führen Sie niemals Wartungsarbeiten an beschädigten AKKUPACKS durch.** Die Wartung von AKKUS darf nur durch den Hersteller oder zugelassene Vertragswerkstätten erfolgen.

Allgemeine Sicherheitswarnhinweise für Elektrowerkzeuge



Warnung! Zusätzliche Sicherheitswarnungen für Schraubendreher.

- ◆ Halten Sie das Elektrowerkzeug an den isolierten Griffflächen, wenn Arbeiten durchgeführt werden, bei denen das Schneidgerät versteckte Leitungen berühren könnte. Der Kontakt des Schneidwerkzeugs mit einer spannungsführenden Leitung kann auch metallene Geräteteile unter Spannung setzen und zu einem elektrischen Schlag führen.
- ◆ **Tragen Sie bei der Arbeit mit Schlagbohrmaschinen einen Gehörschutz.** Belastung durch Lärm kann Gehörschäden verursachen.
- ◆ **Verwenden Sie die mitgelieferten Zusatzgriffe.** Der Verlust der Kontrolle kann Verletzungen verursachen.
- ◆ **Verspannen Sie das Werkzeug vor Gebrauch ordnungsgemäß.** Dieses Werkzeug erzeugt ein hohes Ausgangsdrehmoment. Wenn das Werkzeug während des Betriebs nicht ordnungsgemäß verspannt wird, kann es zu einem Kontrollverlust und dadurch zu Verletzungen kommen.

Sicherheitsvorschriften bei Verwendung langer Bohrerbits

- ◆ **Die Arbeitsgeschwindigkeit darf keinesfalls die maximale Drehzahl des Bohreinsatzes überschreiten.** Bei höheren Geschwindigkeiten neigt der Bohreinsatz dazu, sich zu verbiegen, wenn er sich frei drehen kann, ohne das Werkstück zu berühren, was zu Verletzungen führen kann.
- ◆ **Beginnen Sie immer mit niedriger Geschwindigkeit und mit der Bitspitze in Kontakt mit dem Werkstück.** Bei höheren Geschwindigkeiten neigt der Bohreinsatz dazu, sich zu verbiegen, wenn er sich frei drehen kann, ohne das Werkstück zu berühren, was zu Verletzungen führen kann.
- ◆ **Üben Sie Druck nur in direkter Linie mit dem Bit und nicht übermäßig stark aus.** Bits können sich verbiegen und brechen, was zu Kontrollverlust und Verletzungen führen kann.
- ◆ **Verwenden Sie Klemmen oder eine andere praktikable Methode, um das Werkstück auf einer stabilen Plattform zu sichern. Das Festhalten des Werkstücks mit der Hand oder durch Drücken gegen den Körper macht es instabil und kann zu Kontrollverlust führen.**
- ◆ **Vor dem Eintreiben von Befestigungsmitteln in Wände, Böden oder Decken überprüfen Sie die Lage von Leitungen und Rohren.**
- ◆ **Die bestimmungsgemäße Verwendung ist in dieser Betriebsanleitung beschrieben.**
- ◆ **Die Verwendung von Zubehör oder**

Anbauteilen oder die Durchführung von anderen Arbeiten als denjenigen, die nicht in dieser Anleitung empfohlen sind, können ein Risiko von Verletzungen bzw. Sachschäden bedeuten.

Sicherheit von Anderen

- ◆ Dieses Werkzeug darf nicht von Personen (einschließlich Kindern) mit eingeschränkten körperlichen, sensorischen oder geistigen Fähigkeiten oder mangelnder Erfahrung und Wissen in Bezug auf dessen Gebrauch bedient werden, es sei denn, sie werden bei der Verwendung des Werkzeugs von einer erfahrenen Person beaufsichtigt oder angeleitet.
- ◆ Kinder müssen beaufsichtigt werden, um sicherzustellen, dass sie nicht mit dem Gerät spielen.

Restrisiken

Zusätzliche Restrisiken können auftreten, wenn das Werkzeug verwendet wird, das möglicherweise nicht in den Sicherheitswarnungen enthalten ist. Diese Risiken können aus Missbrauch, verlängerter Nutzung usw. resultieren.

Selbst unter Beachtung der geltenden Sicherheitsvorschriften und des Einsatzes von Schutzvorrichtungen können bestimmte Risiken nicht vermieden werden. Diese sind:

- ◆ Verletzungen, die durch das Berühren von sich drehenden/bewegenden Teilen verursacht werden.
- ◆ Verletzungen, die durch das Austauschen von Teilen, Messern oder Zubehör verursacht werden.
- ◆ Verletzungen, die durch längeren Gebrauch eines Geräts verursacht werden. Bei der längeren Verwendung eines Werkzeugs ist sicherzustellen, dass regelmäßige Pausen eingelegt werden.
- ◆ Schwerhörigkeit.
- ◆ Gesundheitsrisiken durch das Einatmen von Staub beim Gebrauch des Geräts (beispielsweise bei Holzarbeiten, insbesondere Eiche, Buche und Pressspan).

Schwingung

Die in den Abschnitten „Technische Daten“ und „EU-Konformitätserklärung“ angegebenen Werte für die Vibrationsemission wurden mit einer Standard-Prüfmethode nach EN 62841 ermittelt und können zum Vergleich verschiedener Geräte herangezogen werden. Die erklärten Schwingungsemissionswerte können auch in einer vorläufigen Expositionsbewertung verwendet werden.

Warnung! Der Schwingungsemissionswert während der tatsächlichen Verwendung des Elektrowerkzeugs kann in Abhängigkeit von den Arten, auf die das Werkzeug verwendet wird, vom erklärten Wert abweichen. Das Schwingungsniveau kann das angegebene Niveau übersteigen.

Bei der Bewertung der Schwingungsexposition zur Festlegung der durch die Richtlinie 2002/44/EG erforderlichen Sicher-

heitsmaßnahmen zum Schutz von Personen, die bei ihrer Beschäftigung regelmäßig Elektrowerkzeuge verwenden, muss eine Schätzung der Schwingungsexposition die tatsächlichen Nutzungsbedingungen und die Art berücksichtigen, auf die das Werkzeug verwendet wird, einschließlich der Beachtung aller Teile des Betriebszyklus, wie die Male, die das Werkzeug ausgeschaltet wird und wenn es im Ruhemodus läuft zusätzlich zur Auslösezeit.

Etiketten am Werkzeug

Am Gerät sind die folgenden Warnsymbole inkl. Datumscode angebracht:



Warnung! Zur Reduzierung der Verletzungsgefahr muss der Nutzer die Betriebsanleitung lesen.



Tragen Sie bei der Arbeit mit Schlagschraubern einen Gehörschutz. Lärm kann Gehörschäden verursachen.



Starren Sie nicht auf die Betriebsleuchte

Zusätzliche Sicherheitshinweise für Akkus und Ladegeräte (nicht im Lieferumfang enthalten)

Akkus

- ◆ Keinesfalls versuchen, den Akku zu öffnen.
- ◆ Achten Sie darauf, dass der Akku nicht mit Wasser in Berührung kommt.
- ◆ Nicht bei Temperaturen über 40 °C lagern.
- ◆ Laden Sie den Akku nur bei Umgebungstemperaturen von 10 °C bis 40 °C.
- ◆ Verwenden Sie ausschließlich das mitgelieferte Ladegerät.
- ◆ Beachten Sie bei der Entsorgung von Batterien und Akkus die Hinweise im Abschnitt „Umweltschutz“.



Versuchen Sie nie, beschädigte Akkus aufzuladen.

Ladegeräte

- ◆ Verwenden Sie das Stanley FatMax-Ladegerät nur für den Akku des Werkzeugs, mit dem es geliefert wurde. Andere Akkus könnten platzen und Sachschäden oder Verletzungen verursachen.
- ◆ Versuchen Sie keinesfalls, nicht aufladbare Batterien zu laden.
- ◆ Lassen Sie beschädigte Kabel sofort austauschen.
- ◆ Achten Sie darauf, dass das Ladegerät nicht mit Wasser in Berührung kommt.
- ◆ Versuchen Sie nicht, das Ladegerät zu öffnen.

- ◆ Nehmen Sie am Ladegerät keine Veränderungen vor.



Das Ladegerät darf nur im Innenbereich verwendet werden.



Vor Gebrauch die Anleitung lesen.

Elektrische Sicherheit



Das Ladegerät ist schutzisoliert, daher ist keine Erdleitung erforderlich. Stellen Sie sicher, dass die Netzspannung der auf dem Typenschild des Geräts angegebenen Spannung entspricht. Ersetzen Sie das Ladegerät keinesfalls durch ein normales Netzkabel.

- ◆ Ist das Netzkabel beschädigt, muss es durch den Hersteller oder eine Stanley FatMax Vertragswerkstatt ausgetauscht werden, um eine mögliche Gefährdung zu vermeiden.

Merkmale

Dieses Gerät verfügt über einige oder alle der folgenden Merkmale:

1. Auslöseschalter
2. Rechts-/Links-Schalter
3. Drehmomentvorwahl
4. Zweiganggetriebewähler
5. Schnellspannfutter
6. Akku
7. Akku-Löseknopf
8. LED-Arbeitsleuchte
9. Einsatzspitzenhalter

Verwendung

Warnung! Lassen Sie das Werkzeug die Geschwindigkeit selbst bestimmen.

Nicht überlasten.

Laden des Akkus

Der Akku muss vor erstmaliger Benutzung und immer dann aufgeladen werden, wenn das Gerät nicht mehr die volle Leistung bringt. Während des Ladevorgangs kann der Akku warm werden. Das ist normal.

Warnung! Laden Sie den Akku nicht, wenn die Umgebungstemperatur unter 10 °C oder über 40 °C liegt. Empfohlene Ladetemperatur: ca. 24 °C.

Hinweis: Ein Akku, bei dem die Temperatur der Batteriezellen unter ca. 10 °C oder über 40 °C liegt, wird vom Ladegerät nicht geladen.

Lassen Sie in diesem Fall den Akku im Ladegerät. Das Ladegerät beginnt automatisch mit dem Ladevorgang, sobald sich die Zellen erwärmt bzw. abgekühlt haben.

- ◆ Setzen Sie das Ladegerät in eine geeignete Steckdose ein, bevor Sie den Akku einsetzen.
- ◆ Setzen Sie den Akku in das Ladegerät ein.



Die grüne LED blinkt, wenn der Akku geladen wird.



Der Abschluss des Ladevorgangs wird dadurch angezeigt, dass die grüne LED dauerhaft leuchtet. Der Akku ist vollständig aufgeladen und kann jetzt verwendet oder in der Ladestation gelassen werden.

Warnung! Laden Sie entladene Akkus so bald wie möglich nach dem Gebrauch wieder auf, da sonst die Batterielebensdauer stark verringert werden kann.

Diagnose des Ladegeräts

Das Ladegerät ist so konzipiert, dass es bestimmte Probleme erkennen kann, die am Akku oder der Stromquelle auftreten können. Probleme werden dadurch angezeigt, dass eine LED in verschiedenen Sequenzen blinkt.

Defekter Akku



Das Ladegerät kann einen schwachen oder beschädigten Akku erkennen. Die rote LED blinkt mit dem Muster, das auf dem Etikett angegeben ist. Wenn das Blinkmuster für einen defekten Akku zu sehen ist, laden Sie den Akku nicht weiter auf. Bringen Sie ihn zu einem Kundendienstzentrum oder einer Recycling-Sammelstelle.

Verzögerung heißer/kalter Akku



Wenn das Ladegerät erkennt, dass ein Akku übermäßig heiß oder kalt ist, startet es automatisch eine "Verzögerung heißer/kalter Akku", bis sich der Akku normalisiert hat. Danach schaltet das Ladegerät automatisch in den Akku-Lademodus. Diese Funktion gewährleistet eine maximale Lebensdauer des Akkus. Die rote LED blinkt mit dem Muster, das auf dem Etikett angegeben ist, wenn die "Verzögerung heißer/kalter Akku" erkannt wird.

Problem mit der Stromleitung



Wenn das Ladegerät mit bestimmten tragbaren Stromquellen wie Generatoren oder Quellen, die Gleichstrom in Wechselstrom umwandeln, verwendet wird, kann der Betrieb des Ladegeräts zeitweilig aussetzen. Die LED blinkt mit dem Muster, das auf dem Etikett angegeben ist. Das zeigt an, dass die Stromquelle außerhalb der Grenzwerte liegt.

Belassen des Akkus im Ladegerät

Sie können den Akku auf im Ladegerät belassen. In diesem Fall leuchtet die LED-Anzeige dauerhaft. Das Ladegerät hält den Akku in einem vollständig geladenen Zustand.

Wichtige Hinweise zum Aufladen

- ◆ Die längste Lebensdauer und beste Leistung wird erhalten, wenn der Akku bei einer Lufttemperatur zwischen 18°- 24°C (65°F und 75°F) aufgeladen wird. Laden Sie den Akku NICHT bei einer Umgebungstemperatur unter +40 °F (+4,5 °C), oder über +105 °F (+40,5 °C) auf. Dies ist wichtig und verhindert schwere Schäden am Akku.
- ◆ Das Ladegerät und der Akku können sich während des Ladevorgangs warm anfühlen. Dies ist ein normaler Umstand und weist nicht auf ein Problem hin. Um das Abkühlen des Akkus nach dem Gebrauch zu erleichtern, platzieren Sie das Ladegerät und den Akku nicht in einer warmen Umgebung, wie beispielsweise in einem Metallschuppen oder einem nicht isolierten Wohnwagen.
- ◆ Wenn der Akku nicht richtig aufgeladen wird:
 - ◆ Prüfen Sie, ob die Steckdose unter Spannung steht, indem Sie eine Lampe oder ein anderes Gerät an die Steckdose anschließen.
 - ◆ Überprüfen Sie, ob die Steckdose mit einem Lichtschalter verbunden ist, der auch das Gerät ausschaltet, wenn das Licht ausgeschaltet wird.
 - ◆ Bringen Sie Ladegerät und Akku an einen Ort, wo die Umgebungstemperatur ca. 18°- 24°C beträgt. Wenn die Ladeprobleme bestehen bleiben, bringen Sie

Werkzeug, Akku und Ladegerät zu Ihrer lokalen Stanley Fat Max Vertragswerkstatt.

- ◆ Dieser Akku sollte aufgeladen werden, wenn er nicht mehr ausreichend Energie erzeugt, um Arbeiten so gut wie zuvor zu erledigen.
- ◆ Betreiben Sie das Werkzeug unter diesen Bedingungen NICHT WEITER. Halten Sie sich an das Ladeverfahren.
- ◆ Sie können auch jederzeit einen teilweise entleerten Akku aufladen, ohne dass dies nachteilige Auswirkungen auf den Akku hat.

Anbringen und Entfernen des Akkus

Warnung! Der Verriegelungsknopf muss eingerastet sein, damit keine unbeabsichtigte Bedienung des Ein-/Aus-Schalters vor dem Anbringen bzw. Entfernen des Akkus erfolgen kann.

Anbringen des Akkus

- ◆ Setzen Sie den Akku fest in das Werkzeug ein, bis ein Klicken zu hören ist, wie in Abbildung A gezeigt wird. Achten Sie darauf, dass der Akku vollständig eingesetzt und eingerastet ist.

Entfernen des Akkus

- ◆ Drücken Sie den Akku-Löseknopf (7) wie in Abbildung B gezeigt und ziehen Sie den Akku aus dem Werkzeug.

Auslöseschalter & Rechts-/Links-Schalter - Abbildung C

- ◆ Der Bohrer wird durch Ziehen und Loslassen des Auslöseschalters (1), der in Abbildung C gezeigt wird, EIN und AUS geschaltet. Je tiefer er eingedrückt wird, desto höher wird die Drehzahl der Bohrmaschine.
- ◆ Ein Regler für Rechts- oder Linksdrehung (2) bestimmt die Drehrichtung des Werkzeugs und dient auch als Verriegelungsschalter.
- ◆ Für Rechtsdrehung (vorwärts) lassen Sie den Auslöseschalter los und drücken den Drehrichtungsknopf an der rechten Seite des Werkzeugs.
- ◆ Für Linksdrehung (rückwärts) lassen Sie den Drückerschalter los und drücken Sie den Drehrichtungsknopf an der linken Seite des Werkzeugs.
- ◆ In der mittleren Stellung des Reglers ist das Werkzeug in der AUS-Stellung verriegelt. Achten Sie darauf, dass der Auslöseschalter entriegelt ist, wenn Sie diesen Regler verstellen.

Einstellen der Drehmomentregelung - Abbildung D

Dieses Gerät verfügt über eine Drehmomentvorwahl (3) zur Auswahl des Betriebsmodus und des Drehmoments zum Festziehen von Schrauben. Für große Schrauben und härtere Werkstücke muss ein größeres Drehmoment eingestellt werden als für kleine Schrauben und weiche Werkstücke.

- ◆ Um Bohrungen in Holz, Metall oder Kunststoff vorzunehmen, stellen Sie an der Drehmomentvorwahl das Symbol zum Bohren ein.
- ◆ Zum Ausführen von Schraubarbeiten stellen Sie an der Drehmomentvorwahl die gewünschte Position ein. Sollten Ihnen die jeweils erforderlichen Einstellungen noch nicht bekannt sein, gehen Sie wie folgt vor:
 - ◆ Stellen Sie das niedrigste Drehmoment ein.
 - ◆ Ziehen Sie mit dieser Einstellung die erste Schraube fest.
 - ◆ Wenn die Einstellung nicht zum gewünschten Ergebnis führt, erhöhen Sie die Drehmomenteinstellung, und fahren Sie fort.
 - ◆ Wiederholen Sie diesen Vorgang, bis Sie die richtige Einstellung gefunden haben.
 - ◆ Verwenden Sie die Einstellung auch für die übrigen Schrauben.

Zweiganggetriebeschalter - Abbildung E

Das Zweiganggetriebe an Ihrem Bohrer ermöglicht den Gangwechsel für eine größere Anpassungsfähigkeit.

- ◆ Zur Auswahl der niedrigen Geschwindigkeit mit hohem Drehmoment (Position 1) schalten Sie das Gerät aus und lassen es auslaufen. Schieben Sie den Gangschalterknopf (4) zurück, d.h. vom Spannfutter weg.
- ◆ Zur Auswahl der hohen Geschwindigkeit mit niedrigem Drehmoment (Position 2) schalten Sie das Gerät aus und lassen es auslaufen. Schieben Sie den Gangschalterknopf wieder nach vorne zum Spannfutter.

Hinweis: Ändern Sie nicht den Gang, während das Gerät sich dreht. Bei Problemen beim Gangwechsel prüfen Sie, dass der Zweiganggetriebewähler entweder komplett nach vorne oder hinten geschoben ist.

Schnellspannfutter - Abbildung F

Warnung! Der Akku muss entfernt worden sein, damit keine unbeabsichtigte Bedienung des Geräts vor dem Installieren bzw. Entfernen von Zubehöerteilen erfolgen kann.

Einsetzen eines Bohrbits oder eines anderen Zubehörteils:

- ◆ Umfassen Sie das Spannfutter (5) und drehen Sie es gegen den Uhrzeigersinn (vom Ende des Bohrfutters aus gesehen).
- ◆ Setzen Sie den Bohreinsatz oder ein anderes Zubehörteil ordnungsgemäß in das Spannfutter ein, und ziehen Sie das Spannfutter durch Drehen im Uhrzeigersinn (mit Blickrichtung vom Spannfutter) wieder fest.

Warnung! Versuchen Sie nicht, Bohrvorsätze (oder anderes Zubehör) einzusetzen, indem Sie das Spannfutter vorne fassen und das Gerät einschalten. Dabei kann das Spannfutter beschädigt werden und es kann zu schweren Verletzungen kommen.

Festziehen von Schrauben

- ◆ Zum Festziehen von Befestigungsmitteln muss der Rechts-/Links-Schalter nach links geschoben sein.
- ◆ Verwenden Sie zum Entfernen von Befestigungsmitteln den Links-Schalter (Schalter nach rechts geschoben).

Hinweis: Wenn Sie die Drehrichtung von Rechts nach Links oder umgekehrt ändern wollen, immer zuerst den Auslöseschalter lösen.

Bohren

- ◆ Verwenden Sie nur scharfe Bohreinsätze.
- ◆ Unterstützen und sichern Sie Werkstücke angemessen, wie in den Sicherheitshinweisen beschrieben.
- ◆ Verwenden Sie die richtige und erforderliche Sicherheitsausrüstung, wie in den Sicherheitshinweisen beschrieben.
- ◆ Sichern Sie den Arbeitsbereich und halten Sie ihn aufgeräumt, wie in den Sicherheitshinweisen beschrieben.
- ◆ Lassen Sie den Bohrer sehr langsam und nur mit leichtem Druck laufen, bis das Loch groß genug ist, dass der Bohreinsatz nicht mehr herausrutschen kann.
- ◆ Üben Sie nur parallel zum Bohreinsatz Druck aus. Der ausgeübte Druck darf nicht größer sein als für den Bohrvorgang erforderlich. Bei zu hohem Druck blockiert der Motor oder der Bohreinsatz wird beschädigt.
- ◆ Halten Sie den Bohrer mit beiden Händen fest; dabei sollte eine Hand auf dem Griff und die andere am Unterteil um den Akkubereich oder, falls vorhanden, am Zusatzhandgriff liegen.
- ◆ **WENN DER BOHRER BLOCKIERT IST, VERSUCHEN SIE NICHT, IHN DURCH WIEDERHOLTES BETÄTIGEN DES EIN-/AUSSCHALTERS WIEDER ZUM LAUFEN ZU BRINGEN. DER BOHREINSATZ KANN DADURCH BESCHÄDIGT WERDEN.**
- ◆ Verringern Sie im letzten Teil des Bohrlochs den Druck und die Geschwindigkeit, um ein Blockieren beim Durchbohren zu vermeiden.
- ◆ Lassen Sie den Motor an, während Sie den Bohrer aus einem gebohrten Loch ziehen. Dadurch wird verhindert, dass der Bohreinsatz einklemmt.
- ◆ Stellen Sie sicher, dass sich der Bohrer über den Schalter ein- und ausschalten lässt.

In Holz bohren

Holz kann entweder mit denselben Spiralbohreinsätzen bearbeitet werden, die auch für Metall verwendet werden, oder mit Spitzbohrern. Die Bohreinsätze sollten spitz sein und regelmäßig entnommen werden, um das Gerät von Spänen zu säubern.

In Metall bohren

Verwenden Sie beim Bohren in Metall ein Schneidöl. Ausnahmen sind Gusseisen und Messing, die trocken gebohrt

werden müssen. Der beste Schmierstoff ist schwefelhaltiges Schneidöl.

In Mauerwerk bohren

Stellen Sie zum Bohren in Mauerwerk die Drehmomentwahl (3) auf die Position zum Schlagbohren ein, indem Sie das Symbol an der Markierung ausrichten. Verwenden Sie hartmetallbestückte Mauerwerks-Bohreinsätze. Siehe Abschnitt „Bohren“. Üben Sie gleichmäßigen Druck auf die Bohrmaschine aus und achten Sie darauf, dass das Material nicht bricht. Ein leichtes, gleichmäßiges Austreten von Staub weist auf eine richtige Bohrleistung hin.

LED-Arbeitsleuchte

Wenn der Bohrer wird durch Ziehen des Auslöseschalters (1) aktiviert wurde, beleuchtet die integrierte LED-Arbeitsleuchte (8) automatisch den Arbeitsbereich.

Hinweis: Die Arbeitsleuchte soll die unmittelbare Arbeitsfläche ausleuchten und ist nicht dazu bestimmt, als Taschenlampe zu fungieren.

Aufbewahrung von Einsatzspitzen

In die Basis des Geräts ist ein Aufbewahrungsfach für Einsätze (9) integriert.

Fehlerbehebung

Problem	Mögliche Ursache	Mögliche Lösung
Gerät startet nicht.	Akku wurde nicht ordnungsgemäß angebracht. Akku nicht geladen.	Prüfen Sie, ob der Akku richtig angebracht wurde. Prüfen Sie die erforderliche Ladekapazität.
Gerät läuft sofort nach dem Einsetzen des Akkus an	Der Schalter wurde in der Position "Ein" gelassen.	Der Schalter muss in die Position "Aus" gestellt werden, damit das Gerät nicht sofort anläuft, wenn der Akku eingesetzt wird.
Akku lädt nicht.	Akku befindet sich nicht im Ladegerät. Das Ladegerät ist nicht mit dem Stromnetz verbunden. Umgebungstemperatur zu hoch oder zu niedrig.	Führen Sie den Akku in das Ladegerät ein, bis die LED leuchtet. Stecken Sie den Stecker des Ladegeräts in eine aktive Steckdose. Bringen Sie das Ladegerät und den Akku an einen Ort, der eine Umgebungstemperatur von über 4,5°C und unter +40,5°C aufweist.

Problem	Mögliche Ursache	Mögliche Lösung
Das Gerät schaltet sich unerwartet aus.	Der Akku hat seine thermische Belastungsgrenze erreicht. Akku ist entladen. (Um die Lebensdauer des Akkus zu maximieren, wurde er so konzipiert, dass er sich sofort abschaltet, wenn die Ladung aufgebraucht ist.)	Lassen Sie den Akku abkühlen. Bringen Sie ihn am Ladegerät an, so dass er aufgeladen wird.

Wartung

Ihr Stanley FatMax Gerät wurde im Hinblick auf eine lange Lebensdauer und einen möglichst geringen Wartungsaufwand entwickelt. Ein kontinuierlicher, zufriedenstellender Betrieb hängt von der richtigen Pflege des Gerätes und seiner regelmäßigen Reinigung ab.

Ihr Ladegerät braucht neben der normalen Reinigung keine Wartung.

Warnung! Entfernen Sie vor jeglichen Wartungsarbeiten am Gerät den Akku aus dem Gerät. Ziehen Sie das Ladegerät aus der Netzsteckdose, bevor Sie es reinigen.

- Reinigen Sie regelmäßig die Lüftungsschlitze des Geräts und des Ladegeräts mit einer weichen Bürste oder einem trockenen Tuch.
- Reinigen Sie das Motorgehäuse regelmäßig mit einem feuchten Tuch.
Verwenden Sie keine scheuerndes oder lösungsmittelbasiertes Reinigungsmittel.
- Öffnen Sie regelmäßig das Bohrfutter, und entfernen Sie durch Klopfen Staub aus dem Inneren des Geräts.

Umweltschutz



Abfalltrennung. Produkte und Akkus mit diesem Symbol dürfen nicht mit dem normalen Hausmüll entsorgt werden.

Produkte und Batterien enthalten Materialien, die zurückgewonnen oder recycelt werden können und die Nachfrage nach Rohstoffen reduzieren.

Bitte recyceln Sie Elektroprodukte und Batterien gemäß den lokalen Bestimmungen. Weitere Informationen finden Sie auf www.2helpU.com.

Technische Daten

		FMC626
Spannung	V_{DC}	18 V
Leerlaufdrehzahl	Min-1	0-350/0-1500

FMC626		
Max. Drehmoment	Nm	47
Bohrfutterspannweite	mm	13
Maximale Bohrtiefe		
Stahl/Holz/Mauerwerk	mm	13/35/13
Gewicht	kg	1,2

Ladegerät	905998**	906086**	
Eingangsspannung	V_{AC}	230	230
Ausgangsspannung	V_{DC}	18	18
Stromstärke	mA	1000	2000
Ungefähre Ladezeit	Min.	80-240	40-120

Akku	FMC685L	FMC687L	FMC684L	
Spannung	V_{AC}	18	18	18
Kapazität	Ah	1,5	2,0	1,3
Typ		Li-Ion	Li-Ion	Li-Ion

Schalldruckpegel gemäß EN 62841:

Schalldruck (L_{pA}) 87,0 dB(A), Unsicherheitsfaktor (K) 5 dB(A)

Schalleistung (L_{WA}) 98,0 dB(A), Unsicherheitsfaktor (K) 5 dB(A)

Gesamtvibration (Triax-Vektorsumme) gemäß EN 60745:

Metallbohren ($a_{h,D}$) <2,5 m/s², Unsicherheitsfaktor (K) 1,5 m/s²

Schlagbohren in Beton ($a_{h,D}$) 14,9 m/s², Unsicherheitsfaktor (K) 1,5 m/s²

EG-Konformitätserklärung

MASCHINENRICHTLINIE



FMC626 - Akku-Schlagbohrer

Stanley Fat Max erklärt, dass diese unter "Technische Daten" beschriebenen Geräte übereinstimmen mit:

2006/42/EC, EN62841-1:2015, EN62841-2-1:2018+A11:2019.

Diese Produkte erfüllen auch die Richtlinie 2014/30/EU und 2011/65/EU.

Weitere Informationen erhalten Sie von Stanley FatMax unter der folgenden Adresse. Diese befindet sich auch auf der Rückseite dieser Anleitung.

Der Unterzeichnete ist verantwortlich für die Zusammenstellung der technischen Daten und gibt diese Erklärung im Namen von Stanley FatMax ab.

Patrick Diepenbach

Patrick Diepenbach
General Manager, Benelux
Stanley Fat Max,
Egide Walschaertsstraat 14-18
2800 Mechelen, Belgien
30/09/2021

Garantie

Stanley Fat Max vertraut auf die Qualität der eigenen Geräte und bietet dem Käufer eine außergewöhnliche Garantie von 12 Monaten ab Kaufdatum. Diese Garantie ist ergänzend und beeinträchtigt keinesfalls ihre gesetzlichen Ansprüche. Diese Garantie gilt innerhalb der Staatsgebiete der Mitgliedstaaten der Europäischen Union und der Europäischen Freihandelszone.

Zur Inanspruchnahme dieser Garantie muss sie den allgemeinen Geschäftsbedingungen von Stanley FatMax entsprechen und dem Verkäufer bzw. der Vertragswerkstatt ein Kaufnachweis vorzulegen. Die Geschäftsbedingungen der 1-jährigen der Stanley FatMax Garantie sowie den Ort der nächsten zugelassenen Reparaturwerkstatt in Ihrer Nähe erhalten Sie im Internet unter www.2helpU.com oder in dem Sie Kontakt mit dem Stanley FatMax Büro unter der in diesem Handbuch angegebenen Adresse aufnehmen.

Ihr neues Stanley FatMax-Produkt können Sie auf unserer Website unter www.stanley.eu/3 registrieren. Dort erhalten Sie auch Informationen über neue Produkte und Sonderangebote.

Utilisation prévue

Votre perceuse/visseuse Stanley Fat Max FMC626 a été conçue pour visser et percer le bois, le métal, le plastique et les matériaux de maçonnerie tendres. Cet appareil est prévu pour les utilisateurs professionnels et non professionnels.

Consignes de sécurité

Avertissements de sécurité générale propres aux outils électriques



Avertissement ! Veuillez à lire tous les avertissements sur la sécurité, toutes les instructions, toutes les illustrations et toutes les spécifications fournies avec cet outil électrique. Le non-respect des avertissements et des instructions listés ci-dessous peut occasionner des décharges électriques, des incendies et/ou de graves blessures.

Conservez tous les avertissements et toutes les instructions afin de pouvoir vous y référer dans le futur. Le terme "outil électrique" mentionné dans tous les avertissements listés ci-dessous fait référence à vos outils électriques branchés sur secteur (avec fil) ou fonctionnant sur pile ou batterie (sans fil).

1. Sécurité de la zone de travail

- a. **Maintenez la zone de travail propre et bien éclairée.**
Les zones sombres ou encombrées sont propices aux accidents.
- b. **N'utilisez pas d'outils électriques dans un environnement présentant des risques d'explosion ou en présence de liquides, gaz ou poussières inflammables.** Les outils électriques créent des étincelles qui peuvent enflammer les poussières et les fumées.
- c. **Maintenez les enfants et les autres personnes à l'écart quand vous utilisez un outil électrique.** Toute distraction peut vous faire perdre le contrôle de l'outil.

2. Sécurité électrique

- a. **Les prises des outils électriques doivent correspondre à la prise de courant murale. Ne modifiez jamais la prise d'aucune sorte. N'utilisez aucun adaptateur avec des outils électriques reliés à la terre.** L'utilisation de prises d'origine et de prises murales appropriées permet de réduire le risque de décharge électrique.
- b. **Évitez tout contact physique avec des surfaces reliées à la terre comme des tuyaux, des radiateurs, des fours et des réfrigérateurs par exemple.** Il y a sinon un risque accru de décharge électrique si votre corps est lui-même relié à la terre.

- c. **N'exposez pas les outils électriques à la pluie, ni à l'humidité.** Le risque de décharge électrique augmente si de l'eau pénètre dans un outil électrique.
- d. **Ne tirez pas sur le cordon d'alimentation. N'utilisez jamais le cordon pour transporter, tirer ou débrancher l'outil électrique. Maintenez le cordon à l'écart de la chaleur, des substances grasses, des bords tranchants ou des pièces mobiles.** Les cordons endommagés ou emmêlés augmentent les risques de décharges électriques.
- e. **Si vous utilisez un outil électrique à l'extérieur, utilisez une rallonge homologuée pour les travaux en extérieur.** L'utilisation d'une rallonge électrique homologuée pour les travaux en extérieur réduit le risque de décharge électrique.
- f. **Si l'utilisation d'un outil électrique dans un endroit humide est inévitable, utilisez une alimentation électrique protégée par un disjoncteur différentiel à courant résiduel (DDR).** L'utilisation d'un DDR réduit le risque de décharge électrique.

3. Sécurité des personnes

- a. **Restez vigilant, surveillez ce que vous faites et faites preuve de bon sens lorsque vous utilisez un outil électrique. N'utilisez pas d'outils électriques si vous êtes fatigué ou sous l'influence de drogue, d'alcool ou de médicaments.** Tout moment d'inattention pendant l'utilisation d'un outil électrique peut engendrer de graves blessures.
- b. **Portez des équipements de protection individuelle. Portez toujours une protection oculaire.** Les équipements de protection comme les masques à poussière, les chaussures de sécurité antidérapantes, les casques ou les protections auditives réduisent le risque de blessures s'ils sont utilisés à bon escient.
- c. **Empêchez tout démarrage intempestif. Veillez à ce l'interrupteur soit sur la position Arrêt avant de raccorder l'outil à l'alimentation électrique et/ou au bloc-batterie ou avant de ramasser ou de transporter l'outil.** Le fait de transporter les outils électriques le doigt sur l'interrupteur ou d'alimenter les outils électriques dont l'interrupteur est déjà en position de marche augmente le risque d'accidents.
- d. **Retirez toutes les clés ou pinces de réglage avant de mettre l'outil en marche.** Une clé ou une pince restée fixée sur une pièce rotative de l'outil électrique peut engendrer des blessures.
- e. **Ne vous penchez pas. Gardez les pieds bien ancrés au sol et conservez votre équilibre en permanence.** Cela permet de mieux maîtriser l'outil électrique en cas de situations imprévues.
- f. **Portez des vêtements appropriés. Ne portez aucuns vêtements amples, ni bijoux. Gardez vos cheveux, vos**

- vêtements et vos gants éloignés des pièces mobiles.** Les vêtements amples, les bijoux ou les cheveux longs peuvent être happés par les pièces mobiles.
- g. Si vous disposez de dispositifs pour le raccordement d'un extracteur de poussière ou d'installations pour la récupération, assurez-vous qu'ils sont correctement raccordés et utilisés.** L'utilisation de dispositifs récupérateurs de poussières réduit les risques liés aux poussières.
- h. Ne pensez pas être familiarisé avec l'outil après l'avoir utilisé à de nombreuses reprises, au point de ne plus rester vigilant et d'en oublier les consignes de sécurité.** Toute action imprudente peut provoquer de graves blessures en une fraction de seconde.
- 4. Utiliser et entretenir un outil électrique**
- a. Respectez la capacité de l'outil. Utilisez le bon outil électrique, adapté pour le travail à réaliser.** Un outil adapté fonctionne mieux, de façon plus sûre et à la cadence pour laquelle il a été conçu.
- b. N'utilisez pas l'outil électrique si son interrupteur ne permet pas de l'allumer ou de l'éteindre.** Tout outil électrique qui ne peut plus être commandé par son interrupteur est dangereux et il doit être réparé.
- c. Débranchez la prise de la source d'alimentation et/ou retirez le bloc-batterie de l'outil électrique avant d'effectuer des réglages, de changer un accessoire ou de ranger les outils électriques.** Ces mesures de sécurité préventives réduisent le risque de démarrage accidentel de l'outil électrique.
- d. Rangez les outils électriques non utilisés hors de portée des enfants et ne laissez aucune personne ne connaissant pas ces outils ou leurs instructions d'utilisation les faire fonctionner.** Les outils électriques peuvent être dangereux entre des mains inexpérimentées.
- e. Entretenez vos outils électriques. Vérifiez que les pièces mobiles sont alignées correctement et qu'elles ne sont pas coincées. Vérifiez qu'aucune pièce n'est cassée et contrôlez l'absence de toute autre condition qui pourrait nuire au bon fonctionnement de l'outil. En cas de dommage, faites réparer l'outil électrique avant de le réutiliser.** De nombreux accidents sont provoqués par des outils électriques mal entretenus.
- f. Maintenez les organes de coupe affûtés et propres.** Des organes de coupe bien entretenus et dont le tranchant est affûté sont moins susceptibles de rester coincés et ils sont plus faciles à contrôler.
- g. Utilisez l'outil électrique, les accessoires et les embouts d'outils conformément à ces instructions, en tenant compte des conditions de travail et de la tâche à effectuer.** L'utilisation d'un outil électrique à d'autres fins que celles pour lesquelles il a été prévu peut entraîner des situations dangereuses.
- h. Veillez à ce que les poignées et les surfaces de préhension soient sèches et propres, sans trace d'huile ou de graisse.** Des poignées et des surfaces de préhension glissantes ne permettent pas de manipuler et de maîtriser l'outil correctement en cas de situations inattendues.
- 5. Utiliser et entretenir un outil fonctionnant sur batterie**
- a. N'effectuez la recharge qu'à l'aide du chargeur spécifié par le fabricant.** Un chargeur adapté pour un type de bloc-batterie peut engendrer un risque d'incendie s'il est utilisé avec un bloc-batterie différent.
- b. N'utilisez les outils électriques qu'avec les blocs-batteries qui leur sont dédiés.** L'utilisation d'autres blocs-batteries peut créer un risque de blessures et d'incendie.
- c. Lorsque le bloc-batterie n'est pas utilisé, éloignez-le des objets en métal comme les trombones, les pièces de monnaies, les clés, les clous, les vis ou d'autres petits objets métalliques qui pourraient créer un contact entre les deux bornes.** La mise en court-circuit des bornes d'une batterie peut provoquer des brûlures ou un incendie.
- d. Dans des conditions extrêmes, du liquide peut être éjecté de la batterie. Évitez tout contact avec ce liquide. En cas de contact accidentel, rincez à l'eau. En cas de contact avec les yeux, consultez en plus un médecin.** Le liquide sortant de la batterie peut provoquer des irritations ou des brûlures.
- e. N'utilisez pas un bloc-batterie ou un outil qui est endommagé ou qui a été modifié.** Un bloc-batterie endommagé ou modifié peut avoir un comportement imprévisible qui peut entraîner un incendie, une explosion ou à un risque de blessure.
- f. N'exposez pas le bloc-batterie ou l'outil au feu ou à des températures excessives.** L'exposition au feu ou à des températures dépassant 130°C peut provoquer une explosion.
- g. Respectez les instructions de charge et ne rechargez pas le bloc-batterie ou l'outil en dehors de la plage de températures spécifiée dans les instructions.** Une charge mal effectuée ou à des températures hors de la plage spécifiée peut endommager le bloc-batterie et augmenter le risque d'incendie.
- 6. Révision/Réparation**
- a. Ne faites réviser/réparer votre outil électrique que par un réparateur qualifié qui n'utilise que des pièces de rechange d'origine.** Cela permet de garantir la sûreté de l'outil électrique.
- b. Ne réparez jamais des blocs-batteries endommagés.** La révision/réparation des blocs-batteries ne peuvent être effectuées que par le fabricant ou un prestataire de services agréé.

Avertissements supplémentaires liés à la sécurité, propres aux outils électriques



Avertissement ! Avertissements liés à la sécurité supplémentaires propres aux tournevis.

- ◆ Ne tenez l'outil électrique que par ses surfaces de préhension isolées lorsque vous intervenez là où l'accessoire de coupe pourrait entrer en contact avec des fils cachés. Tout contact de l'organe de coupe avec un fil sous tension peut mettre les parties métalliques exposées de l'outil sous tension et provoquer une décharge électrique à l'utilisateur.
- ◆ **Portez des protections en cas de perçage avec impact.** L'exposition au bruit peut occasionner une perte de l'ouïe.
- ◆ **Utilisez les poignées auxiliaires fournies avec l'outil.** Toute perte de contrôle peut provoquer des blessures.
- ◆ **Tenez correctement l'outil avant de l'utiliser.** Ce produit génère un couple élevé et s'il n'est pas correctement tenu, une perte de contrôle pouvant provoquer des blessures est possible.

Consignes de sécurité pour l'utilisation de mèches longues

- ◆ **Ne les utilisez jamais à une vitesse supérieure à leur vitesse nominale maximum.** À grande vitesse, la mèche peut plier si elle tourne dans le vide, sans être en contact avec l'ouvrage et des blessures sont alors possibles.
- ◆ **Commencez toujours à percer à faible vitesse alors que la pointe de la mèche est en contact avec l'ouvrage.** À grande vitesse, la mèche peut plier si elle tourne dans le vide sans contact avec l'ouvrage, et occasionner des blessures.
- ◆ **N'exercez qu'une faible pression, toujours en ligne avec la mèche.**
Les mèches peuvent plier et casser et ainsi provoquer une perte de contrôle et des blessures.
- ◆ **Utilisez des fixations ou tout autre moyen pratique pour sécuriser et soutenir l'ouvrage sur un support stable.** Tenir l'ouvrage à la main ou contre votre corps le rend instable et peut entraîner une perte de contrôle.
- ◆ **Avant de visser des fixations dans les murs, les planchers ou les plafonds, vérifiez l'emplacement d'éventuels fils électriques ou canalisations.**
- ◆ **L'utilisation prévue est décrite dans cette notice d'utilisation.**
- ◆ **L'utilisation d'accessoires ou d'équipement ou la réalisation, avec cet outil, de toute opération autres que ceux/celles recommandé(s) dans la présente notice peut présenter un risque de blessure et/ou de dégât matériel.**

Sécurité des personnes

- ◆ Cet outil n'est pas conçu pour être utilisé par des personnes (y compris des enfants) aux capacités physiques, sensorielles ou intellectuelles réduites ou sans expérience ni connaissances, à moins qu'elles ne soient supervisées ou qu'elles n'aient été formées sur la façon d'utiliser l'outil, par une personne responsable de leur sécurité.
- ◆ Les enfants doivent être surveillés pour garantir qu'ils ne jouent pas avec l'appareil.

Risques résiduels

Certains risques résiduels autres que ceux mentionnés dans les avertissements sur la sécurité peuvent survenir en utilisant l'outil. Ces risques peuvent être dus à une utilisation incorrecte, une utilisation prolongée, etc.

Malgré le respect de toutes les réglementations pertinentes sur la sécurité et la mise en œuvre de dispositifs de sécurité, certains risques résiduels ne peuvent pas être évités. Ils comprennent :

- ◆ Les blessures dues au contact avec des pièces mobiles/ en rotation.
- ◆ Les blessures dues au changement de pièces, de lames ou d'accessoires.
- ◆ Les blessures dues à l'utilisation prolongée d'un outil. Lorsque vous utilisez un outil quel qu'il soit pendant de longues périodes, veillez à faire des pauses régulières.
- ◆ Les troubles de l'ouïe.
- ◆ Les risques pour la santé dus à l'inhalation des poussières émises pendant l'utilisation de l'outil (exemple : travail avec du bois, surtout le chêne, le hêtre et les panneaux en MDF).

Vibrations

La valeur des vibrations émises déclarée dans la section Caractéristiques techniques et la déclaration de conformité a été mesurée selon une méthode de test standard fournie par la norme EN 62841 et elle peut être utilisée pour comparer un outil à un autre. La valeur des vibrations émises déclarée peut aussi être utilisée pour une évaluation préliminaire à l'exposition.

Avertissement ! En fonction de la manière dont l'outil est utilisé, la valeur réelle des vibrations émises pendant son utilisation peut différer de la valeur déclarée. Le niveau des vibrations peut dépasser le niveau déclaré.

Quand l'exposition aux vibrations est évaluée afin de déterminer les mesures de sécurité requises par la norme 2002/44/CE pour protéger les personnes utilisant régulièrement des outils électriques, l'estimation de l'exposition aux vibrations doit tenir compte des conditions réelles d'utilisation et de la façon dont l'outil est utilisé. Il faut également tenir compte de toutes les composantes du cycle de fonctionnement comme les durées pendant lesquelles l'outil est éteint et quand il fonctionne au ralenti, en plus de la durée de déclenchement.

Étiquettes apposées sur l'outil

Les symboles suivant figurent sur l'outil avec le code date :



Avertissement ! Afin de réduire le risque de blessures, l'utilisateur doit lire la notice d'utilisation.



Portez des protections en cas de perçage avec impact. L'exposition au bruit peut engendrer la perte de l'ouïe



Ne regardez pas directement la lampe allumée

Consignes de sécurité supplémentaires propres aux batteries et aux chargeurs (non fournis avec l'outil)

Batteries

- ◆ Ne tentez de les ouvrir sous aucun prétexte.
- ◆ N'exposez pas les batteries à l'eau.
- ◆ Ne les stockez pas dans des endroits où la température peut dépasser 40°C.
- ◆ Ne les rechargez qu'à une température ambiante comprise entre 10°C et 40°C.
- ◆ N'utilisez que le chargeur fourni avec l'outil.
- ◆ Au moment de jeter les batteries, respectez les instructions mentionnées à la section "Protection de l'environnement".



N'essayez pas de recharger des batteries endommagées.

Chargeurs

- ◆ N'utilisez votre chargeur Stanley Fat Max que pour recharger la batterie fournie avec l'outil. Les autres batteries pourraient exploser et entraîner des blessures et des dommages.
- ◆ Ne tentez jamais de recharger des piles non rechargeables.
- ◆ Faites immédiatement remplacer les cordons endommagés.
- ◆ N'exposez pas le chargeur à l'eau.
- ◆ N'ouvrez pas le chargeur.
- ◆ Ne sondez pas le chargeur.



Le chargeur est conçu pour être exclusivement utilisé à l'intérieur.



Lisez la notice d'utilisation avant d'utiliser l'outil.

Sécurité électrique



Votre chargeur dispose d'une double isolation, aucune liaison à la terre n'est donc nécessaire. Vérifiez toujours que la tension du réseau électrique correspond à la tension mentionnée sur la plaque signalétique. N'essayez jamais de remplacer le module de charge par une prise de courant ordinaire.

- ◆ Si le câble d'alimentation est endommagé, il doit être remplacé par le fabricant ou un centre d'assistance agréé Stanley Fat Max afin d'éviter les risques éventuels.

Caractéristiques

Cet appareil présente tout ou partie des caractéristiques suivantes.

1. Interrupteur à gâchette
2. Bouton de sélection du sens de rotation
3. Bague de réglage du couple
4. Sélecteur de vitesse à double plage
5. Mandrin sans clé
6. Pile
7. Bouton de libération de la batterie
8. Éclairage de travail à LED
9. Porte-embout

Utiliser la machine

Avertissement ! Laissez l'outil fonctionner à son propre rythme.

Ne le poussez pas au-delà de sa capacité.

Recharger la batterie

La batterie doit être rechargée avant la première utilisation et chaque fois qu'elle n'apporte plus assez de puissance pour les travaux réalisés sans peine auparavant. La batterie peut devenir chaude pendant la charge. Ce phénomène est normal et n'indique pas un problème.

Avertissement ! Ne rechargez pas la batterie à une température ambiante inférieure à 10°C ou supérieure à 40°C. La température recommandée est d'environ 24°C.

Remarque : Le chargeur ne recharge pas la batterie si la température de la cellule est inférieure à environ 10°C ou supérieure à 40°C.

La batterie doit rester dans le chargeur et le chargeur commence automatiquement la charge dès que la température de la cellule remonte ou redescend.

- ◆ Branchez le chargeur dans une prise appropriée avant d'y insérer le bloc-batterie.
- ◆ Insérez le bloc-batterie dans le chargeur.



Le voyant vert clignote pour indiquer que la batterie est en charge.



La fin de la charge est indiquée par le voyant vert restant allumé de façon fixe. Le bloc est alors complètement rechargé et il peut soit être utilisé, soit être laissé dans le chargeur.

Avvertissement ! Rechargez les batteries déchargées dès que possible après utilisation pour ne pas grandement diminuer leur durée de vie.

Diagnostique du chargeur

Ce chargeur est conçu pour détecter certains problèmes qui peuvent survenir avec les blocs-batteries ou la source d'alimentation. Les problèmes sont signalés par un voyant clignotant de différentes façons.

Batterie défectueuse



Le chargeur peut détecter une batterie faible ou endommagée. La LED rouge clignote de la façon indiquée sur l'étiquette. Si vous constatez ce clignotement particulier indiquant une batterie défectueuse, cessez la charge de la batterie. Renvoyez-la dans un centre d'assistance ou un site de collecte pour recyclage.

Délai Bloc chaud/froid



Lorsque le chargeur détecte que la batterie est trop chaude ou trop froide, il démarre automatiquement un délai Bloc Chaud/Froid, suspendant la charge jusqu'à ce que la batterie se stabilise. Après cela, le chargeur passe automatiquement en mode Charge Bloc. Cette fonctionnalité permet de garantir une durée de vie maximale pour la batterie. La LED rouge clignote de la façon indiquée sur l'étiquette lorsque le délai Bloc Chaud/Froid est détecté.

Problème Circuit d'alimentation



Si le chargeur est utilisé avec certaines sources d'alimentation mobiles comme des générateurs ou des sources qui convertissent le courant continu en courant alternatif, il peut temporairement interrompre l'opération. La LED rouge clignote de la façon indiquée sur l'étiquette. Cela indique que la source d'alimentation est hors limite.

Laisser la batterie dans le chargeur

Le chargeur et le bloc-batterie peuvent rester raccordés avec le voyant allumé en continu. Le chargeur maintient le bloc-batterie complètement chargé.

Remarques importantes sur la recharge

- ◆ Une durée de vie plus longue et de meilleures performances peuvent être obtenues si le bloc-batterie est rechargé lorsque la température de l'air est comprise entre 65°F et 75°F (18° et 24°C). NE rechargez PAS le bloc-batterie à une température ambiante inférieure à +40°F (+4,5°C) ou supérieure à +105°F (+40,5°C). Cette consigne est importante et elle permet d'éviter le grave endommagement du bloc-batterie.
- ◆ Le chargeur et le bloc-batterie peuvent devenir chauds au toucher pendant la charge. C'est normal et cela n'indique pas un problème. Afin de faciliter le refroidissement du bloc-batterie après utilisation, évitez de placer le chargeur ou le bloc-batterie dans un environnement chaud comme une remise métallique ou une remorque non isolée.
- ◆ Si le bloc-batterie ne se recharge pas correctement :
 - ◆ Vérifiez le courant en branchant une lampe ou un autre appareil.
 - ◆ Vérifiez que la prise de courant n'est pas reliée à un interrupteur coupant l'alimentation lorsque l'on éteint l'éclairage.
 - ◆ Déplacez le chargeur et le bloc-batterie dans un endroit où la température ambiante est comprise entre 65°F et 75°F (18° - 24°C). Si les problèmes de charge persistent, apportez l'outil, le bloc-batterie et le chargeur dans votre centre d'assistance Stanley Fat Max local.
- ◆ Le bloc-batterie doit être rechargé lorsqu'il ne parvient plus à fournir la puissance nécessaire aux opérations qui étaient facilement réalisées auparavant.
- ◆ CÉSEZ D'UTILISER l'outil dans ces conditions. Respectez la procédure de charge.
- ◆ Vous pouvez également charger un bloc déjà utilisé si vous le souhaitez, sans que cela n'affecte le bloc-batterie.

Insérer et retirer le bloc-batterie de l'outil

Avertissement ! Avant de retirer ou d'installer la batterie, assurez-vous que le bouton de verrouillage est enclenché afin d'empêcher le déclenchement de l'interrupteur.

Pour installer le bloc-batterie

- ◆ Insérez fermement le bloc-batterie dans l'outil jusqu'à entendre un clic, comme illustré par la figure A. Assurez-vous que le bloc-batterie est bien en place et parfaitement verrouillé.

Pour retirer le bloc-batterie

- ◆ Appuyez sur le bouton de libération de la batterie (7) comme illustré par la figure B et tirez sur le bloc-batterie pour le sortir de l'outil.

Interrupteur à gâchette et bouton Marche avant/ Marche arrière - figure C

- ◆ La perceuse est mise en marche et éteinte en enfonçant et en relâchant l'interrupteur à gâchette (1) illustré par la figure C. Plus la gâchette est enfoncée, plus la vitesse de la perceuse est élevée.
- ◆ Un bouton de sélection du sens de rotation (2) sert à choisir le sens de rotation de l'outil mais il sert aussi de bouton de verrouillage.
- ◆ Pour sélectionner le sens de rotation avant, relâchez l'interrupteur à gâchette et enfoncez le bouton de sélection du sens de rotation sur le côté droit de l'outil.
- ◆ Pour sélectionner le sens de rotation arrière, appuyez sur le bouton de sélection du sens de rotation sur le côté gauche de l'outil.
- ◆ La position centrale du bouton de sélection permet de verrouiller l'outil à l'arrêt. Avant de changer la position du bouton de sélection, veillez à bien relâcher la gâchette.

Réglage du contrôle du couple - figure D

Cet outil est équipé d'une bague de réglage du couple (3) qui permet de sélectionner le mode de fonctionnement et de définir le couple pour le serrage des vis. Les grandes vis et les matériaux durs nécessitent un couple plus élevé que les petites vis et les matériaux tendres.

- ◆ Pour percer du bois, du métal et du plastique, réglez le collier sur le symbole de perçage.
- ◆ Pour visser, réglez la bague sur la position voulue. Si vous ne savez pas quel réglage choisir, procédez comme suit :
 - ◆ Réglez la bague sur le couple le plus faible.
 - ◆ Serrez la première vis.
 - ◆ Si l'embrayage cliquette avant d'avoir atteint le résultat voulu, augmentez le réglage de la bague et continuez à serrer la vis.
 - ◆ Répétez l'opération jusqu'à avoir atteint le bon réglage.
 - ◆ Utilisez ce réglage pour les vis restantes.

Interrupteur à double plage - figure E

Le système de transmission à double plage de votre perceuse vous permet de changer de vitesse pour plus de polyvalence.

- ◆ Pour sélectionner la vitesse lente avec un couple élevé (position 1), éteignez l'outil et attendez qu'il s'arrête. Faites glisser le sélecteur de vitesse vers l'arrière (4) loin du mandrin.
- ◆ Pour sélectionner une vitesse rapide et un couple faible (position 2), éteignez l'outil et attendez qu'il s'arrête. Faites glisser le sélecteur de vitesse vers l'avant (vers le mandrin).

Remarque : Ne changez pas de vitesse lorsque l'outil est en marche. En cas de problème pour changer de vitesse, assurez-vous que le sélecteur de vitesse est bien complètement poussé vers l'avant ou vers l'arrière.

mandrin sans clé - figure F

Avertissement ! Avant d'installer ou de retirer des accessoires, assurez-vous que le bloc-batterie a été retiré afin d'empêcher toute mise en marche accidentelle de l'outil.

Pour insérer une mèche ou un autre accessoire :

- ◆ Attrapez le mandrin (5) et tournez-le dans le sens inverse des aiguilles d'une montre, vu depuis l'extrémité du mandrin.
- ◆ Insérez complètement la mèche ou un autre accessoire dans le mandrin et resserrez ce dernier parfaitement en le tournant dans le sens des aiguilles d'une montre, vu depuis l'extrémité du mandrin.

Avertissement ! Ne tentez pas de serrer ou de desserrer des mèches (ou tout autre accessoire) en saisissant la partie avant du mandrin et en mettant l'outil en marche. Cela pourrait endommager le mandrin et provoquer des blessures.

Serrer des vis

- ◆ Pour visser des fixations, le bouton de sélection du sens de rotation doit être poussé vers la gauche.
- ◆ Utilisez le sens inverse (bouton poussé vers la droite) pour retirer les fixations.

Remarque : Relâchez toujours la gâchette avant de passer de la marche avant à la marche arrière et vice versa.

Percer

- ◆ N'utilisez que des mèches bien aiguisées.
- ◆ Soutenez et fixez l'ouvrage correctement, comme indiqué dans les consignes de sécurité.
- ◆ Utilisez les équipements de protection nécessaires appropriés, tels que mentionnés dans les consignes de sécurité.
- ◆ Sécurisez et entretenez la zone de travail correctement, comme indiqué dans les consignes de sécurité.
- ◆ Commencez par utiliser la perceuse très lentement, en n'appuyant que très légèrement, jusqu'à ce que le trou soit suffisamment formé pour que la mèche n'en sorte plus.
- ◆ Appliquez une pression perpendiculaire sur la mèche.

Exercez suffisamment de pression pour que la mèche avance, mais ne poussez pas de manière excessive afin d'éviter que le moteur ne cale ou que la mèche ne dévie.

- ◆ Tenez fermement la perceuse à deux mains, une main sur la poignée et l'autre main en bas, autour de la zone de la batterie ou de la poignée auxiliaire, le cas échéant.
- ◆ **N'ACTIONNEZ PAS LA GÂCHETTE D'UNE PERCEUSE QUI A CALÉ POUR TENTER DE LA DÉMARRER. VOUS POURRIEZ ENDOMMAGER LA PERCEUSE.**
- ◆ Évitez les calages pendant les percées en réduisant la pression et en perçant doucement la dernière partie du trou.
- ◆ Laissez le moteur tourner en sortant la mèche du trou. Cela permet d'éviter qu'elle se coince.
- ◆ Assurez-vous que l'interrupteur allume et éteint bien la perceuse correctement.

Percer le bois

Le bois peut être percé avec les mêmes mèches hélicoïdales utilisées pour le métal ou avec des mèches plates. Ces mèches doivent être aiguisées et fréquemment sorties du trou pendant le perçage afin de supprimer les copeaux des cannelures.

Percer le métal

Utilisez un lubrifiant de coupe pour percer les métaux. La fonte et le laiton doivent en revanche être percés à sec. Les lubrifiants de coupe les plus appropriés sont à base d'huile sulfurée.

Percer la pierre

Pour percer de la pierre, réglez le collier (3) à la position de perçage à percussion en alignant le symbole avec le repère. Utilisez des mèches pour maçonnerie en carbone. Consultez la section Perçage. Maintenez une force homogène sur la perceuse sans pour autant fissurer la matière friable. Un écoulement fluide et régulier de poussière indique que la vitesse de perçage est correcte.

Éclairage de travail à LED

Dès que la perceuse est mise en marche en appuyant sur l'interrupteur à gâchette (1), l'éclairage de travail à LED (8) éclaire automatiquement la zone de travail.

Remarque : L'éclairage de travail sert à éclairer la surface de travail immédiate et il ne doit pas être utilisé comme lampe torche.

Compartiment pour mèches et embouts

Un compartiment pour ranger les mèches et les embouts (9) se trouve à la base de l'outil.

Dépannage

Problème	Cause possible	Solution possible
La machine ne démarre pas.	Le bloc-batterie n'est pas bien installé. Le bloc-batterie n'est pas rechargé.	Vérifiez l'installation du bloc-batterie. Vérifiez si bloc-batterie a besoin d'être rechargé
L'appareil démarre immédiatement après l'insertion de la batterie	L'interrupteur a été laissé en position "Marche".	L'interrupteur doit être positionné sur "Arrêt" pour éviter que l'outil ne démarre immédiatement quand la batterie est installée.
Le bloc-batterie ne se recharge pas.	Le bloc-batterie n'est pas correctement inséré dans le chargeur. Le chargeur n'est pas branché. La température ambiante est trop chaude ou trop froide.	Insérez le bloc-batterie dans le chargeur jusqu'à ce que le voyant s'allume. Branchez le chargeur dans une prise murale qui fonctionne. Déplacez le chargeur et le bloc-batterie dans un endroit où la température ambiante est supérieure à 40°F (4,5°C) ou inférieure à 105°F (+40,5°C)
L'appareil s'éteint brusquement.	Le bloc-batterie a atteint sa limite thermique maximum. Déchargée. (Pour maximiser la durée de vie du bloc-batterie, il est conçu pour s'arrêter brusquement lorsque la batterie est déchargée)	Laissez le bloc-batterie refroidir. Placez-la dans le chargeur et laissez-la se recharger.

Maintenance

Votre outil Stanley Fat Max a été conçu pour fonctionner longtemps avec un minimum d'entretien. Le fonctionnement continu et satisfaisant de l'outil dépend de son bon entretien et de son nettoyage régulier.

Votre chargeur ne nécessite aucun entretien particulier, à l'exception d'un nettoyage régulier.

Avertissement ! Avant de réaliser toute tâche de maintenance sur l'outil, retirez-en la batterie. Débranchez le chargeur avant de le nettoyer.

- ◆ Nettoyez régulièrement les orifices d'aération de l'outil et du chargeur à l'aide d'une brosse souple ou d'un chiffon sec.
- ◆ Nettoyez régulièrement le bloc-moteur à l'aide d'un chiffon humide. N'utilisez pas de détergents abrasifs ou à base de -solvants.
- ◆ Ouvrez régulièrement le mandrin et tapotez dessus pour éliminer la poussière accumulée à l'intérieur.

Protection de l'environnement



Tri sélectif. Les produits et piles/batteries marqués de ce symbole ne doivent pas être jetés avec les déchets ménagers.

Les produits et les piles/batteries contiennent des matières qui peuvent être récupérées et recyclées afin de réduire la demande en matières premières.

Veillez à recycler les produits électriques et les piles/batteries conformément aux prescriptions locales en vigueur. Plus d'informations sont disponibles sur le site www.2helpU.com.

Caractéristiques techniques

		FMC626
Tension	V_{CC}	18 V
Vitesse à vide	Min^{-1}	0-350/0-1500
Couple maxi	Nm	47
Capacité du mandrin	mm	13
Capacité de perçage maxi		
Acier/bois/matériaux de maçonnerie	mm	13/35/13
Poids	kg	1,2

Chargeur	905998**	906086**
Tension d'entrée	V_{CA} 230	230
Tension de sortie	V_{CC} 18	18
Courant	mA 1000	2000
Durée de charge approx.	min 80-240	40-120

Pile	FMC685L	FMC687L	FMC684L
Tension	V_{CA} 18	18	18
Capacité	Ah 1,5	2,0	1,3
Type	Li-Ion	Li-Ion	Li-Ion

Niveau de pression sonore selon la norme EN 62841 :

Pression sonore (L_{pA}) 87,0 dB(A), incertitude (K) 5 dB(A)

Puissance sonore (L_{WA}) 98,0 dB(A), incertitude (K) 5 dB(A)

Valeurs totales des vibrations (somme vectorielle triaxiale) selon la norme EN 60745 :

Perçage du métal ($a_{h,D}$) <2,5 m/s², incertitude (K) 1,5 m/s²

Perçage à percussion du béton ($a_{h,D}$) 14,9 m/s², incertitude (K) 1,5 m/s²

Déclaration de conformité CE

DIRECTIVES MACHINES



FMC626 - Perceuse à chocs sans fil

Stanley Fat Max déclare que les produits décrits dans les "Caractéristiques techniques" sont conformes aux normes : 2006/42/CE, EN62841-1:2015, EN62841-2-1:2018+A11:2019.

Ces produits sont également conformes aux directives 2014/30/UE et 2011/65/UE.

Pour obtenir plus de précisions, contactez Stanley Fat Max à l'adresse qui suit ou vous consultez la dernière page de la notice.

Le soussigné est responsable de la compilation du dossier technique et il fait cette déclaration au nom de Stanley Fat Max.

Patrick Diepenbach

Patrick Diepenbach
General Manager, Benelux
Stanley Fat Max,
Egide Walschaertsstraat 14-18
2800 Mechelen, Belgique
30/09/2021

Garantie

Stanley Fat Max assure la qualité de ses produits et offre une garantie de 12 mois aux utilisateurs, à partir de la date d'achat. Cette garantie s'ajoute à vos droits légaux auxquels elle ne porte aucunement préjudice. Cette garantie est valable au sein des territoires des États membres de l'Union européenne et au sein de la Zone européenne de libre-échange.

Pour prétendre à la garantie, la réclamation doit être en conformité avec les conditions générales de Stanley Fat Max et vous devez fournir une preuve d'achat au vendeur ou au réparateur agréé. Les conditions générales de la garantie de 1 an Stanley Fat Max ainsi que l'adresse du réparateur agréé le plus proche sont disponibles sur le site Internet www.2helpU.com ou en contactant votre agence Stanley Fat Max locale à l'adresse indiquée dans cette notice.

Veillez consulter notre site Internet www.stanley.eu/3 pour enregistrer votre nouveau produit Stanley Fat Max et pour être tenu informé des nouveaux produits et des offres spéciales

Uso previsto

Il Trapano/avvitatore Stanley Fat Max FMC626 è stato progettato per avvitare e per trapanare legno, metallo, plastica e muratura. Questo elettrotensile è concepito per uso professionale e privato, per utilizzatori non professionisti.

Istruzioni di sicurezza

Avvertenze di sicurezza generali riguardanti gli elettrotensili



Avvertenza! Leggere tutte le avvertenze, istruzioni, illustrazioni e specifiche fornite con l'elettrotensile. La mancata osservanza delle avvertenze e istruzioni seguenti potrebbe causare scosse elettriche, incendi e/o gravi lesioni personali.

Conservare tutte le avvertenze e le istruzioni per riferimenti futuri. Il termine "elettrotensile" utilizzato nelle avvertenze fa riferimento sia agli utensili alimentati a corrente (con cavo elettrico), sia a quelli a batteria (senza cavo).

1. Sicurezza dell'area di lavoro

- Mantenere pulita e bene illuminata l'area di lavoro.** Gli ambienti disordinati o scarsamente illuminati favoriscono gli incidenti.
- Evitare di usare gli elettrotensili in ambienti esposti a rischio di esplosione, ad esempio in presenza di liquidi, gas o polveri infiammabili.** Gli elettrotensili generano scintille che possono incendiare le polveri o i fumi.
- Tenere lontani bambini e altre persone presenti mentre si usa un elettrotensile.** Eventuali distrazioni possono provocare la perdita di controllo dell'elettrotensile.

2. Sicurezza elettrica

- Le spine elettriche degli elettrotensili devono essere adatte alla presa di corrente. Non modificare la spina in alcun modo. Non usare spine con adattatore con gli elettrotensili dotati di messa a terra.** Per ridurre il rischio di scosse elettriche evitare di modificare le spine e utilizzare sempre le prese appropriate.
- Evitare il contatto fisico con superfici collegate a terra, quali tubature, radiatori, fornelli e frigoriferi.** Se il corpo dell'utilizzatore è collegato a terra, il rischio di scosse elettriche aumenta.
- Non esporre gli elettrotensili alla pioggia o all'umidità.** Se dovesse penetrare dell'acqua all'interno dell'elettrotensile, il rischio di scosse elettriche aumenta.
- Non utilizzare il cavo di alimentazione in modo improprio. Non spostare, tirare o scollegare mai**

l'elettrotensile dalla presa di corrente tirandolo dal cavo. Tenere il cavo di alimentazione lontano da fonti di calore, olio, bordi taglienti o parti in movimento. Se il cavo di alimentazione è danneggiato o impigliato, il rischio di scosse elettriche aumenta.

- Se l'elettrotensile viene adoperato all'aperto, usare esclusivamente prolunghie omologate per l'impiego all'esterno.** L'uso di un cavo di alimentazione adatto per esterni riduce il rischio di scosse elettriche.
 - Se non è possibile evitare di lavorare in una zona umida, utilizzare una rete di alimentazione elettrica protetta da un interruttore differenziale (RCD) salvavita.** L'uso di un RCD salvavita riduce il rischio di scosse elettriche.
- #### 3. Sicurezza personale
- È importante concentrarsi su ciò che si sta facendo e maneggiare con giudizio l'elettrotensile. Non utilizzare l'elettrotensile quando si è stanchi o sotto l'effetto di sostanze stupefacenti, alcool o medicinali.** Un solo attimo di distrazione durante l'uso di tale elettrotensile potrebbe provocare gravi lesioni personali.
 - Usare dispositivi di protezione individuale. Indossare sempre occhiali di protezione.** L'uso di dispositivi di protezione, quali mascherine antipolvere, scarpe antinfortunistiche antiscivolo, caschi di sicurezza o protezioni per l'udito, in condizioni opportune consente di ridurre il verificarsi di lesioni personali.
 - Impedire l'avvio involontario. Accertarsi che l'interruttore sia nella posizione di spegnimento, prima di collegare l'elettrotensile alla rete elettrica e/o alla batteria, di prenderlo in mano o di trasportarlo.** Per non esporsi al rischio di incidenti, non trasportare l'elettrotensile tenendo le dita sull'interruttore e non collegarlo a una fonte di alimentazione elettrica con l'interruttore in posizione di accensione.
 - Prima di accendere un elettrotensile, togliere eventuali utensili o chiavi di regolazione.** Un utensile di regolazione o una chiave attaccati a una parte rotante dell'elettrotensile possono provocare lesioni personali.
 - Non sbilanciarsi. Mantenere sempre un appoggio e un equilibrio adeguati.** In tal modo è possibile mantenere un migliore controllo dell'elettrotensile nelle situazioni impreviste.
 - Vestirsi adeguatamente. Non indossare abiti larghi o gioielli. Tenere i capelli, i vestiti e i guanti lontano dalle parti mobili.** Abiti larghi, gioielli o capelli lunghi possono impigliarsi nelle parti in movimento.
 - Se gli elettrotensili sono provvisti di attacchi per il collegamento di dispositivi di aspirazione o di raccolta della polvere, assicurarsi che questi siano installati e utilizzati correttamente.** L'impiego di dispositivi per la

raccolta delle polveri può ridurre i pericoli legati a queste ultime.

- h. Non lasciare che la familiarità acquisita dall'uso frequente degli utensili conduca alla noncuranza e alla trascuratezza dei principi di sicurezza degli utensili.** Un'azione disattenta può causare lesioni gravi in una frazione di secondo.

4. Utilizzo e cura degli elettroutensili

- a. Non sovraccaricare l'elettroutensile. Utilizzare l'elettroutensile adatto per il lavoro da eseguire.**

L'elettroutensile corretto funziona meglio e in modo più sicuro se utilizzato alla velocità per cui è stato progettato.

- b. Non utilizzare l'elettroutensile se l'interruttore di accensione/spengimento è difettoso.** Qualsiasi elettroutensile che non possa essere controllato tramite l'interruttore è pericoloso e deve essere riparato.
- c. Scollegare la spina dalla presa di corrente e/o il pacco batteria dall'elettroutensile prima di regolarlo, sostituirne gli accessori o di ripararlo.** Queste misure di sicurezza preventive riducono il rischio di azionare l'apparato accidentalmente.
- d. Quando non vengono usati, gli elettroutensili devono essere custoditi fuori dalla portata dei bambini. Non consentire l'uso dell'elettroutensile a persone inesperte o che non abbiano letto le presenti istruzioni.** Gli elettroutensili sono pericolosi in mano a persone inesperte.
- e. Sottoporre gli elettroutensili a regolare manutenzione. Verificare che le parti mobili siano correttamente allineate e non inceppate, che non vi siano componenti rotti e che non sussistano altre condizioni che possono compromettere il funzionamento dell'apparecchio. Se l'elettroutensile è danneggiato, farlo riparare prima dell'uso.** Molti incidenti sono provocati da elettroutensili non sottoposti a una corretta manutenzione.
- f. Mantenere affilati e puliti gli utensili da taglio.** La manutenzione corretta degli utensili da taglio con bordi affilati riduce le probabilità di inceppamento e ne facilita il controllo.
- g. Utilizzare l'elettroutensile, gli accessori, le punte, ecc. in conformità alle presenti istruzioni, tenendo conto delle condizioni operative e del lavoro da completare.** L'utilizzo dell'elettroutensile per impieghi diversi da quelli previsti può provocare situazioni di pericolo.
- h. Mantenere le impugnature e le superfici di presa asciutte, pulite e libere da olio e grasso.** Impugnature e superfici di presa scivolose non consentono di maneggiare e controllare in modo sicuro l'elettroutensile nel caso di imprevisti.

5. Uso e cura degli elettroutensili a batteria

- a. Ricaricare solo tramite il caricabatterie specificato dal fabbricante.** Un caricabatterie adatto per un solo tipo di batteria può comportare il rischio d'incendio se usato con una batteria diversa.
- b. Usare gli elettroutensili con gli appositi pacchi batteria.** L'impiego di pacchi batteria di tipo diverso potrebbe comportare il rischio di lesioni personali e di incendio.
- c. Quando il pacco batteria non viene usato, tenerlo lontano da altri oggetti metallici tipo graffette, monete, chiavi, chiodi, viti o altri oggetti metallici di piccole dimensioni, che potrebbero cortocircuitare un morsetto con l'altro.** Se i terminali della batteria vengono cortocircuitati si potrebbero causare ustioni o un incendio.
- d. In condizioni di sovraccarico, le batterie possono perdere liquido: evitare di toccarlo. In caso di contatto accidentale, sciacquare con abbondante acqua. Se il liquido dovesse entrare a contatto con gli occhi, rivolgersi anche a un medico.** Il liquido che fuoriesce dalla batteria può causare irritazioni o ustioni.
- e. Non utilizzare un pacco batteria o un utensile danneggiati o modificati.** Le batterie danneggiate o modificate potrebbero manifestare un comportamento imprevedibile con la possibilità di causare un'esplosione o un incendio.
- f. Non esporre un pacco batteria o un utensile al fuoco o a temperature elevate.** L'esposizione al fuoco o a una temperatura superiore a 130°C potrebbe provocare un'esplosione.
- g. Seguire tutte le istruzioni per la carica e non caricare il pacco batteria o l'elettroutensile a una temperatura che non rientri nell'intervallo di valori specificato nelle istruzioni.** Una carica effettuata in maniera scorretta o a una temperatura che non rientra nell'intervallo di valori specificato potrebbe danneggiare la batteria aumentando il rischio d'incendio.

6. Assistenza

- a. Fare riparare l'elettroutensile esclusivamente da personale specializzato e solo usando pezzi di ricambio originali.** In questo modo viene garantita la sicurezza dell'elettroutensile.
- b. Non riparare i pacchi BATTERIA danneggiati.** La manutenzione dei pacchi BATTERIA deve essere eseguita esclusivamente dal produttore o da fornitori di assistenza autorizzati.

Avvertenze di sicurezza aggiuntive per gli apparecchi elettrici



Avvertenza! Ulteriori avvisi di sicurezza per gli avvitatori

- ◆ Sostenere l'apparato con supporti aventi superfici isolanti quando si eseguono lavorazioni in cui l'accessorio di taglio potrebbe toccare cavi elettrici nascosti. Gli accessori da taglio che vengono a contatto con un cavo sotto tensione trasmettono la corrente elettrica anche alle parti metalliche esposte dell'elettrotensile e possono provocare la folgorazione dell'operatore.
- ◆ **Durante i lavori di perforazione a percussione indossare dispositivi di protezione per l'udito.** L'esposizione al rumore può causare la perdita dell'udito.
- ◆ **Usare le impugnature ausiliarie fornite con l'elettrotensile.** Un'eventuale perdita di controllo dell'elettrotensile può causare lesioni alle persone.
- ◆ **Sostenere correttamente l'elettrotensile prima dell'uso.** Questo elettrotensile produce una coppia d'uscita elevata e se non viene sostenuto in modo corretto durante l'uso potrebbe verificarsi una perdita di controllo con conseguenti possibili lesioni personali.

Istruzioni di sicurezza per l'uso con punte lunghe

- ◆ **Non utilizzare mai il trapano a una velocità superiore alla velocità nominale massima della punta impiegata.** In caso contrario è probabile che la punta si pieghi se viene lasciata ruotare liberamente senza toccare il pezzo in lavorazione, con la possibilità che si verifichino lesioni a persone.
- ◆ **Iniziare sempre a perforare a bassa velocità con la punta a contatto con il pezzo in lavorazione.** In caso contrario è probabile che la punta si pieghi se viene lasciata ruotare liberamente senza toccare il pezzo in lavorazione, con la possibilità che si verifichino lesioni a persone.
- ◆ **Applicare pressione solo in linea diretta con la punta. Non esercitare una pressione eccessiva.** Le punte possono piegarsi causando rottura o perdita di controllo, con conseguenti possibili lesioni a persone.
- ◆ **Usare dei morsetti o un altro metodo pratico per fissare e sostenere il pezzo da lavorare su una piattaforma stabile. Tenere fermo il pezzo con le mani o contro il corpo lo rende instabile e potrebbe comportare la perdita di controllo.**
- ◆ **Prima di avvitare dispositivi di fissaggio in pareti, pavimenti o soffitti, verificare l'ubicazione di cavi elettrici e tubazioni.**
- ◆ **L'uso previsto di questo elettrotensile è descritto in questo manuale di istruzioni.**
- ◆ **L'uso di accessori o dotazioni o l'esecuzione di operazioni con questo elettrotensile diversi da quelli consigliati in questo manuale di istruzioni potrebbe comportare il rischio che si verifichino lesioni a persone e/o danni materiali.**

Sicurezza altrui

- ◆ Questo elettrotensile non è destinato all'uso da parte di persone di qualsiasi età (compresi i bambini) con capacità fisiche, sensoriali o mentali ridotte, o prive di esperienza e conoscenze, a meno che non siano sottoposte a sorveglianza o ricevano istruzioni riguardo all'uso dell'elettrotensile da parte di una persona responsabile della loro sicurezza.
- ◆ I bambini devono essere sorvegliati per assicurarsi che non giochino con l'elettrotensile.

Rischi residui

L'utilizzo dell'elettrotensile può comportare rischi residui non necessariamente riportati in queste avvertenze di sicurezza. Tali rischi possono sorgere a seguito di un uso prolungato o improprio, ecc.

Malgrado il rispetto delle norme di sicurezza pertinenti e l'implementazione di dispositivi di sicurezza, alcuni rischi residui non possono essere evitati. Sono inclusi:

- ◆ lesioni personali causate dal contatto con parti rotanti/in movimento;
- ◆ lesioni personali subite durante la sostituzione di parti, lame o accessori;
- ◆ lesioni personali causate dall'impiego prolungato di un elettrotensile (quando si utilizza qualsiasi elettrotensile per periodi prolungati, assicurarsi di fare pause regolari);
- ◆ menomazioni uditive;
- ◆ rischi per la salute causati dalla respirazione delle polveri generate durante l'uso dell'elettrotensile (ad esempio quando si lavora con il legno, in modo particolare quello di quercia o faggio o con l'MDF).

Vibrazioni

I valori dichiarati delle emissioni di vibrazioni nella sezione "Dati tecnici" e nella Dichiarazione di conformità del presente manuale sono stati misurati in base al metodo di test standard previsto dalla normativa EN 62841 e possono essere usati come parametri di confronto tra due utensili. Il valore di emissione di vibrazioni dichiarato può anche essere usato per una valutazione preliminare dell'esposizione.

Avvertenza! Il livello di emissione di vibrazioni durante l'uso effettivo dell'elettrotensile può differire dal valore dichiarato, a seconda delle modalità di utilizzo dello stesso. Il livello di emissione di vibrazioni potrebbe superare il valore dichiarato.

Quando si valuta l'esposizione alla vibrazione per stabilire le misure di sicurezza richieste, in conformità alla normativa 2002/44/CE destinata alla protezione delle persone che usano regolarmente elettrotensili nello svolgimento delle proprie mansioni lavorative, è necessario prendere in considerazione le condizioni effettive di utilizzo e il modo in cui l'elettrotensile viene usato, oltre che tenere conto di tutte le componenti del ciclo operativo, vale a dire i periodi in cui l'elettrotensile è

spento, quelli in cui è acceso ma a riposo e quelli in cui viene effettivamente utilizzato.

Etichette sull'elettrotensile

Sull'elettrotensile sono presenti i seguenti simboli assieme al codice data:



Avvertenza! Per ridurre il rischio di lesioni personali l'utilizzatore deve leggere il manuale di istruzioni.



Indossare otoprotezioni quando si usano i trapani a percussione. L'esposizione al rumore può causare la perdita dell'udito.



Non fissare la luce di funzionamento

Altre istruzioni di sicurezza per batterie e caricabatterie (non fornite con l'elettrotensile)

Batterie

- ◆ Non tentare mai di aprire le batterie per alcun motivo.
- ◆ Non lasciare che le batterie si bagnino.
- ◆ Non riporre le batterie in luoghi in cui la temperatura potrebbe superare 40 °C.
- ◆ Caricare solo a temperature ambientali comprese tra 10 e 40 °C.
- ◆ Caricare le batterie solo con il caricabatterie fornito con l'elettrotensile.
- ◆ Al momento di smaltire le batterie, seguire le istruzioni riportate nella sezione "Tutela ambientale".



Non tentare di caricare batterie danneggiate.

Caricabatterie

- ◆ Usare il proprio caricabatterie Stanley Fat Max solo per caricare la batteria dell'elettrotensile con il quale è stato fornito. Batterie diverse potrebbero scoppiare, causando lesioni alle persone e danni materiali.
- ◆ Non tentare mai di caricare batterie non ricaricabili.
- ◆ Fare sostituire immediatamente i cavi di alimentazione difettosi.
- ◆ Non lasciare che il caricabatterie si bagni.
- ◆ Non aprire il caricabatterie.
- ◆ Non collegare il caricabatterie a sonde.



Il caricabatterie è destinato solo all'uso in ambienti chiusi.



Leggere il manuale d'istruzioni prima dell'uso.

Sicurezza elettrica



Il doppio isolamento di cui è provvisto il caricabatterie rende superfluo il filo di terra. Verificare sempre che la tensione di rete corrisponda alla tensione indicata sulla targhetta dei valori nominali. Non tentare mai di sostituire il caricabatterie con una normale spina di rete.

- ◆ In caso di danneggiamento del cavo di alimentazione, è necessario farlo riparare dal fabbricante o presso un centro di assistenza Stanley Fat Max autorizzato, in modo da evitare pericoli.

Caratteristiche

Questo elettrotensile presenta alcune o tutte le seguenti caratteristiche.

1. Grilletto di azionamento
2. Pulsante di selezione del senso di rotazione (orario/antiorario)
3. Collare di regolazione coppia
4. Selettore di velocità a due impostazioni
5. Mandrino autoserrante
6. Batteria
7. Pulsante di rilascio della batteria
8. Luce di lavoro a LED
9. Portapunte

Uso

Avvertenza! Lasciare che l'elettrotensile funzioni al proprio ritmo.

Non sovraccaricarlo.

Ricarica della batteria

La batteria deve essere caricata prima dell'impiego iniziale e quando non eroga una potenza sufficiente per lavori che prima era possibile eseguire facilmente. Durante la carica, la batteria potrebbe riscaldarsi. Si tratta di un fatto normale che non indica la presenza di un problema.

Avvertenza! Non caricare la batteria a temperature ambientali inferiori a 10 °C o superiori a 40 °C. La temperatura di carica consigliata è di circa 24 °C.

Nota: il caricabatterie non carica una batteria se la temperatura delle celle è inferiore a 10 °C o superiore a 40 °C.

La batteria deve essere lasciata nel caricabatterie, che comincerà a caricarla automaticamente quando la temperatura delle celle aumenta o diminuisce.

- ◆ Collegare il caricabatterie a una presa di corrente adatta prima di inserirvi il pacco batteria.
- ◆ Inserire il pacco batteria nel caricabatterie.



Il LED verde lampeggia mentre la ricarica è in corso.



Il completamento della ricarica sarà indicato dal LED verde che rimane acceso fisso. Il pacco batteria è completamente carico e può essere utilizzato in questo momento o lasciato nel caricabatterie

Avvertenza! Ricaricare le batterie scariche al più presto dopo l'uso, altrimenti la loro durata potrebbe ridursi notevolmente.

Diagnostica del caricabatterie

Questo caricabatterie è progettato in modo da rilevare determinati problemi che potrebbero insorgere con i pacchi batteria a la fonte di alimentazione. La presenza di problemi è indicata da un LED che lampeggia secondo schemi differenti.

Batteria guasta



Il caricabatterie è in grado di rilevare una batteria scarica o danneggiata. Il LED rosso lampeggia secondo lo schema indicato sull'etichetta. Se compare questo schema di batteria guasta, non continuare a ricaricare la batteria. Restituirli presso un centro di assistenza o conferirla a un sito di raccolta per essere riciclate.

Ritardo per pacco batteria caldo/freddo



Quando il caricabatterie rileva una batteria troppo calda o troppo fredda avvia automaticamente la funzione Ritardo per pacco batteria caldo/freddo, sospendendo il caricamento finché la batteria non ha raggiunto la temperatura normale; dopodiché passa automaticamente alla modalità di carica della batteria. Questa funzione garantisce la massima durata del pacco batteria. Il LED rosso lampeggia secondo lo schema indicato sull'etichetta quando viene rilevato un ritardo pacco caldo/freddo.

Problema alla linea di alimentazione



Quando il caricabatterie viene utilizzato con alcune fonti di alimentazione portatili, come generatori o fonti che convertono la corrente DC in AC, il funzionamento del caricabatterie potrebbe essere temporaneamente sospeso. Il LED lampeggia secondo lo schema indicato sull'etichetta. Questo indica che la fonte di alimentazione ha superato i limiti.

Batteria lasciata nel caricabatterie

Il caricabatterie e il pacco batteria possono essere lasciati collegati con il LED acceso fisso. Il caricabatterie manterrà il pacco batteria come nuovo e completamente carico.

Note importanti riguardanti la ricarica

- ◆ È possibile ottenere la massima durata e prestazioni ottimali se la batteria viene caricata con una temperatura dell'aria compresa tra 18 e 24 °C (65-75 °F). NON caricare il pacco batteria a una temperatura dell'aria al di sotto di +4,5 °C (+40 °F), o al di sopra di +40,5 °C (+105 °F). Questo è importante e consentirà di evitare gravi danni al pacco batteria.
- ◆ Il caricabatterie e la batteria possono diventare caldi al tatto durante la carica. Questa è una condizione normale, e non indica un problema. Per facilitare il raffreddamento della batteria dopo l'uso, evitare di posizionare il caricabatterie o il pacco batteria in un ambiente caldo, come ad esempio un capannone di metallo o un rimorchio non isolato.
- ◆ Se il pacco batteria non si carica correttamente:
 - ◆ Controllare la presenza di corrente nella presa collegandovi una lampada o apparecchio simile.
 - ◆ Verificare che la presa di corrente non sia collegata a un interruttore della luce che interrompe l'alimentazione quando si spegne la luce.
 - ◆ Spostare il caricabatterie e il pacco batteria in un luogo in cui la temperatura dell'aria circostante sia di circa 18-24 °C (65-75 °F). Se i problemi di ricarica persistono, portare l'elettrotensile, il pacco batteria e il caricabatterie presso il centro di assistenza Stanley Fat Max di zona.
- ◆ Il pacco batteria deve essere sostituito se non riesce a produrre alimentazione a sufficienza per lavori che prima venivano svolti con facilità.
- ◆ NON CONTINUARE a usarlo in queste condizioni. Seguire la procedura di ricarica.

- ◆ È anche possibile caricare un pacco parzialmente utilizzato ogni volta che si desidera senza alcun effetto negativo sulla batteria.

Inserimento e rimozione del pacco batteria dall'elettrotensile

Avvertenza! Verificare che il pulsante di sicurezza sia attivato per evitare l'azionamento del grilletto mentre si estrae o si inserisce il pacco batteria.

Per installare il pacco batteria

- ◆ Inserire il pacco batteria saldamente nell'elettrotensile fino a quando si avverte uno scatto, come illustrato nella Figura A. Assicurarsi che il pacco batteria sia completamente inserito e bloccato in posizione.

Per estrarre il pacco batteria

- ◆ Premere il pulsante di rilascio della batteria (7) come indicato nella Figura B ed estrarre la batteria dall'elettrotensile.

Grilletto di azionamento e pulsante di selezione del senso di rotazione - Figura C

- ◆ Il trapano/avvitatore viene avviato e arrestato premendo e rilasciando il grilletto di azionamento (1) mostrato nella Figura A. Più è premuto il grilletto, maggiore è la velocità del trapano/avvitatore.
- ◆ Un pulsante di selezione del senso di rotazione (2) consente di stabilire se la punta del trapano/avvitatore ruoterà in senso orario o antiorario e funge anche da pulsante di sicurezza.
- ◆ Per selezionare la rotazione in senso orario, rilasciare il grilletto di azionamento e premere il pulsante di selezione del senso di rotazione sul lato destro dell'elettrotensile.
- ◆ Per selezionare la rotazione in senso antiorario, premere il pulsante di selezione del senso di rotazione sul lato sinistro dell'utensile.
- ◆ La posizione centrale del selettore del senso di rotazione blocca l'elettrotensile nella posizione di spegnimento. Assicurarsi di avere rilasciato il grilletto di azionamento prima di cambiare la posizione del pulsante di controllo.

Regolazione del controllo della coppia di serraggio - Figura D

L'elettrotensile è dotato di un collare di regolazione della coppia (3) per selezionare la modalità operativa e per tarare la coppia di serraggio delle viti. Le viti di grandi dimensioni e i pezzi in materiale più duro richiedono una coppia di serraggio maggiore rispetto alle viti più piccole e ai pezzi in materiale più tenero.

- ◆ Per trapanare legno, metallo e plastica, regolare il collare sul simbolo del trapano.

- ◆ Per l'avvitatura, regolarlo sulla taratura desiderata. Se non si sa ancora quale taratura usare, procedere come descritto di seguito:
 - ◆ Regolare il collare sulla taratura di coppia più bassa.
 - ◆ Serrare la prima vite.
 - ◆ Se la frizione scatta prima di aver ottenuto il risultato desiderato, aumentare la taratura del collare e continuare ad avvitare la vite.
 - ◆ Ripetere fino a ottenere la taratura corretta.
 - ◆ Usare questa taratura per le viti rimanenti.

Interruttore a due intervalli - Figura E

La funzione del selettore velocità a due impostazioni del trapano a batteria consente di cambiare velocità per una maggiore versatilità.

- ◆ Per selezionare la velocità bassa, con coppia di serraggio alta (posizione 1), spegnere l'elettrotensile e attendere che si fermi. Far scorrere il selettore di velocità (4) indietro, lontano dal mandrino.
- ◆ Per selezionare la velocità alta, con coppia bassa (posizione 2), spegnere l'elettrotensile e attendere che si fermi. Far scorrere il selettore di velocità verso il mandrino.

Nota: non cambiare velocità mentre l'elettrotensile è in funzione. Se si hanno problemi a cambiare velocità assicurarsi che il selettore di velocità sia spinto tutto avanti o tutto indietro.

Mandrino autoserrante - Figura F

Avvertenza! Assicurarsi che il pacco batteria sia rimosso per evitare l'azionamento dell'elettrotensile prima dell'installazione o rimozione degli accessori.

Per inserire una punta o un altro accessorio, procedere come descritto di seguito.

- ◆ Afferrare il mandrino (5) e ruotarlo in senso antiorario, visto dal lato del mandrino.
- ◆ Infilare la punta o un altro accessorio completamente nel mandrino e serrare saldamente ruotando il mandrino in senso orario, visto dall'estremità del mandrino.

Avvertenza! Non tentare di serrare o allentare le punte (o qualsiasi altro accessorio) afferrando la parte anteriore del mandrino e accendendo l'elettrotensile. Durante il cambio degli accessori potrebbero verificarsi danni al mandrino e lesioni alle persone.

Avvitatura

- ◆ Quando si avvitano delle viti, il pulsante di selezione del senso di rotazione deve essere spostato verso sinistra.
- ◆ Utilizzare indietro (pulsante premuto a destra) per rimuovere le viti.

Nota: quando si passa dalla rotazione in senso orario alla rotazione in senso antiorario, o viceversa, rilasciare sempre prima il grilletto.

Foratura

- ◆ Utilizzare solamente punte appuntite.
- ◆ Sostenere e fissare il pezzo in lavorazione correttamente, come indicato nelle Istruzioni di sicurezza.
- ◆ Utilizzare dispositivi di protezione necessari e adeguati, come indicato nelle Istruzioni di sicurezza.
- ◆ Mettere in sicurezza e mantenere l'area di lavoro, come indicato nelle Istruzioni di sicurezza.
- ◆ Far funzionare il trapano/avvitatore molto lentamente, con una leggera pressione, fino a quando il foro è sufficientemente profondo da evitare la fuoriuscita della punta.
- ◆ Esercitare la pressione perpendicolarmente alla punta. Usare una pressione sufficiente a permettere alla punta di eseguire il foro, ma non così eccessiva da far spegnere il motore o da spostare la punta.
- ◆ Tenere il trapano saldamente con due mani, una mano sull'impugnatura, e l'altra che tiene il fondo intorno alla zona batteria o l'impugnatura ausiliaria, se in dotazione.
- ◆ **NON PREMERE VARIE VOLTE IL GRILLETTO DI AZIONAMENTO DEL TRAPANO/AVVITATORE CHE SI SIA ARRESTATO PER TENTARE DI RIAVIARLO. IL TRAPANO POTREBBE SUBIRE DANNI.**
- ◆ Contenere al massimo la possibilità di arresto iniziale, riducendo la pressione e trapanando lentamente l'ultima porzione del foro.
- ◆ Tenere acceso il motore mentre si estrae la punta da un foro trapanato. In questo modo si riducono gli inceppamenti.
- ◆ Assicurarsi che l'interruttore accenda e spenga il trapano.

Trapanatura del legno

I fori nel legno possono essere eseguiti con la medesima punta da trapano usata per il metallo o con punta a lancia. Queste punte devono essere affilate e devono essere estratte frequentemente per eliminare i trucioli dalle scanalature del trapano.

Trapanatura del metallo

Utilizzare un lubrificante da taglio quando si forano metalli. Fanno eccezione la ghisa e l'ottone che vanno forati a secco. Gli oli da taglio che funzionano meglio di tutto sono quelli solforati o l'olio di lardo.

Trapanatura di murature

Per trapanare murature, regolare il collare (3) alla posizione di trapanatura allineando il simbolo alla marcatura. Usare punte per muratura con inserto in carburo. Consultare la sezione Trapanatura. Mantenere una pressione uniforme sul trapano, ma non così eccessiva da inclinare il materiale fragile. La fuoriuscita continua e regolare di polvere dal foro è indice di un funzionamento adeguato.

Luce di lavoro a LED

Quando il trapano viene attivato tirando l'interruttore a grilletto (1), la luce di lavoro LED integrata (8) illumina automaticamente l'area di lavoro.

Nota: la luce di lavoro è intesa per la superficie immediata di lavoro e non deve essere usata come torcia per illuminazione.

Portapunte

Uno slot portapunte (9) è costruito nella base dell'utensile.

Guida alla risoluzione dei problemi

Problema	Possibile causa	Eventuale soluzione
L'elettrotensile non parte.	Il pacco batteria non è stato installato correttamente. Pacco batteria non caricato.	Verificare l'installazione del pacco batteria. Controllare i requisiti di carica del pacco batteria
L'unità parte immediatamente all'inserimento della batteria	L'interruttore è stato lasciato in posizione di accensione.	L'interruttore deve essere spostato nella posizione di spegnimento, per impedire l'avvio immediato dell'utensile quando viene inserita la batteria.
Il pacco batteria non si ricarica.	Il pacco batteria non è inserito nel caricabatterie. Caricabatterie non collegato a una presa di corrente. Temperatura dell'aria circostante troppo calda o troppo fredda.	Inserire il pacco batteria nel caricabatterie fino a quando il LED si illumina. Collegare il caricabatterie a una presa di corrente funzionante. Spostare il caricabatterie e il pacco batteria ad una temperatura dell'aria circostante al di sopra di 45°C (40 °F) o al di sotto di +40,5°C (105 °F).
L'unità si spegne improvvisamente.	Il pacco batteria ha raggiunto il limite termico massimo. Carica esaurita. (Per massimizzare la durata del pacco batteria è progettato per spegnersi improvvisamente quando la carica è esaurita)	Lasciare che il pacco batteria si raffreddi. Posizionare sul caricabatterie e consentire la ricarica.

Manutenzione

Questo elettrotensile Stanley Fat Max è stato progettato per funzionare a lungo con una manutenzione minima. Per ottenere prestazioni sempre soddisfacenti occorre avere cura dell'elettrotensile e sottoporlo a pulizia periodica.

Il caricabatterie non richiede alcuna manutenzione, fuorché una pulizia regolare.

Avvertenza! Prima di eseguire interventi di manutenzione sull'elettrotensile, estrarre la batteria. Scollegare il caricabatterie dalla presa di corrente prima di pulirlo.

- ◆ Pulire regolarmente le prese di ventilazione dell'elettrotensile e del caricabatterie con uno spazzolino o un panno morbido e asciutto.
- ◆ L'alloggiamento del motore deve essere pulito regolarmente con un panno umido. Non utilizzare materiali abrasivi o detersivi a base di solventi.
- ◆ Aprire regolarmente il mandrino e batterlo leggermente per eliminare la polvere che si forma all'interno.

Tutela ambientale



Raccolta differenziata. I prodotti e le batterie contrassegnate con questo simbolo non devono essere smaltiti insieme ai normali rifiuti domestici.

I prodotti e le batterie contengono materiali che possono essere recuperati e riciclati, riducendo la domanda di materie prime. Riciclare i prodotti e le batterie in base alle normative locali pertinenti. Ulteriori informazioni sono disponibili all'indirizzo www.2helpU.com.

Dati tecnici

FMC626		
Tensione	V_{DC}	18 V
Velocità a vuoto	Min^{-1}	0-350/0-1500
Coppia max.	Nm	47
Capacità del mandrino	mm	13
Capacità di trapanatura max.		
Acciaio/legno/muratura	mm	13/35/13
Peso	kg	1,2

Caricabatterie	905998**	906086**	
Tensione d'ingresso	V_{AC}	230	230
Tensione in uscita	V_{DC}	18	18
Corrente	mA	1000	2000
Tempo di carica approssimativo	Min	80-240	40-120

Batteria	FMC685L	FMC687L	FMC684L	
Tensione	V_{AC}	18	18	18
Capacità	Ah	1,5	2,0	1,3
Tipo	Li-Ion	Li-Ion	Li-Ion	

Livello di pressione sonora misurato in conformità alla norma EN 62841:

Pressione sonora (L_{pA}) 87,0 dB(A), incertezza (K) 5 dB(A)

Potenza sonora (L_{WA}) 98,0 dB(A), incertezza (K) 5 dB(A)

Valori totali di emissione di vibrazioni ((somma dei tre valori assiali) in conformità alla norma EN 60745:

Trapanatura nel metallo ($a_{h,D}$) <2,5 m/s^2 , incertezza (K) 1,5 m/s^2

Trapanatura a percussione nel calcestruzzo ($a_{h,D}$) 14,9 m/s^2 , incertezza (K) 1,5 m/s^2

Dichiarazione CE di conformità

DIRETTIVA MACCHINE



FMC626 - Trapano/avvitatore a percussione a batteria

Stanley Fat Max dichiara che questi prodotti descritti nella sezione "Dati tecnici" sono conformi alle seguenti norme: 2006/42/EC, EN62841-1:2015, EN62841-2-1:2018+A11:2019.

Inoltre, questi prodotti sono conformi alle Direttive 2014/30/UE e 2011/65/UE.

Per ulteriori informazioni contattare Stanley Fat Max al seguente indirizzo oppure consultare l'ultima di copertina del manuale.

Il firmatario è responsabile della compilazione del fascicolo tecnico e rende questa dichiarazione per conto di Stanley Fat Max.

Patrick Diepenbach

Patrick Diepenbach
General Manager, Benelux
Stanley Fat Max,
Egide Walschaertsstraat 14-18
2800 Mechelen, Belgio
30/09/2021

Garanzia

Stanley Fat Max è sicura della qualità dei propri prodotti e offre ai consumatori una garanzia di 12 mesi dalla data di acquisto. Questa garanzia aggiuntiva non pregiudica in

alcun modo i diritti del consumatore previsti dalla legge. La garanzia è valida sui territori degli stati membri dell'Unione Europea e dell'EFTA (Associazione europea di libero scambio).

Per attivare la garanzia, il reclamo deve essere effettuato in accordo con i Termini e Condizioni Stanley Fat Max e sarà necessario presentare la prova di acquisto al venditore o all'agente di riparazione autorizzato. Per consultare i Termini e condizioni della garanzia di 1 anno di Stanley Fat Max e trovare il centro di assistenza autorizzato più vicino, visitare il sito web www.2helpU.com oppure rivolgersi alla propria sede Stanley Fat Max locale, all'indirizzo riportato nel presente manuale.

Visitare il nostro sito www.stanley.eu/3 per registrare il nuovo prodotto Stanley Fat Max e ricevere gli aggiornamenti su nuovi prodotti e offerte speciali

Bedoeld gebruik

Uw Stanley Fat Max-FMC626 boormachine/schroevendraaier is ontworpen om als schroevendraaier te worden gebruikt en voor het boren in hout, metaal, kunststof en zachte steen. Dit apparaat is bedoeld voor professionele en particuliere, niet-professionele gebruikers.

Instructies voor de veiligheid

Algemene veiligheidswaarschuwingen voor elektrisch gereedschap



Waarschuwing! Lees alle veiligheidswaarschuwingen, instructies, illustraties en specificaties die bij dit elektrisch gereedschap zijn meegeleverd. Het niet opvolgen van de hieronder vermelde waarschuwingen en instructies kan leiden tot een elektrische schok, brand en/of ernstig persoonlijk letsel.

Bewaar alle waarschuwingen en instructies zodat u deze later ook kunt raadplegen. De term "elektrisch gereedschap" in de hieronder vermelde waarschuwingen verwijst naar uw (met een snoer) op de netspanning aangesloten elektrische gereedschap of naar (draadloos) elektrisch gereedschap met een accu.

1. Veiligheid op de werkplek

- Houd uw werkomgeving schoon en opgeruimd.** Op rommelige of donkere plekken kunnen gemakkelijk ongelukken gebeuren.
- Gebruik elektrisch gereedschap niet in een omgeving met explosiegevaar, zoals in de nabijheid van brandbare vloeistoffen, gasen of stof.** Elektrisch gereedschap veroorzaakt vonken die het stof of de dampen kunnen doen ontbranden.
- Houd kinderen en omstanders tijdens het gebruik van elektrisch gereedschap op afstand.** Wanneer u wordt afgeleid kunt u de controle over het gereedschap verliezen.

2. Elektrische veiligheid

- De netstekker van het gereedschap moet in het stopcontact passen. Pas de stekker nooit op enigerlei wijze aan. Gebruik geen adapterstekkers met geaard elektrisch gereedschap.** Niet-aangepaste stekkers en passende contactdozen verminderen het risico van een elektrische schok.
- Vermijd aanraking van het lichaam met geaarde oppervlakken, bijvoorbeeld leidingen, radiatoren, fornuizen en koelkasten.** Er bestaat een verhoogd risico op een elektrische schok als uw lichaam geaard is.

- Stel het gereedschap niet bloot aan regen en vocht.** Als er water elektrisch gereedschap binnendringt, verhoogt dit het risico van een elektrische schok.
- Behandel het snoer voorzichtig. Draag het elektrisch gereedschap nooit aan het snoer, trek het gereedschap nooit aan het snoer naar u toe, en trek de stekker nooit aan het snoer uit het stopcontact.** Houd het snoer uit de buurt van warmte, olie, scherpe randen of bewegende onderdelen. Beschadigde snoeren of snoeren die in de war zijn geraakt, verhogen het risico van een elektrische schok.
- Gebruik, wanneer u buitenshuis met elektrisch gereedschap werkt, alleen verlengsnoeren die zijn goedgekeurd voor gebruik buitenshuis.** Het gebruik van een verlengsnoer dat geschikt is voor werken buitenshuis, vermindert het risico van een elektrische schok.
- Als u met elektrisch gereedschap werkt op een vochtige locatie, gebruik dan een aardlekschakelaar (RCD).** Het gebruik van een aardlekschakelaar vermindert het risico van een elektrische schok.

3. Persoonlijke veiligheid

- Blijf alert, let goed op wat u doet en ga met verstand te werk bij het gebruik van elektrisch gereedschap. Gebruik het gereedschap niet wanneer u vermoeid bent of onder invloed van drugs, alcohol of medicatie.** Een moment van onoplettendheid tijdens het bedienen van elektrische gereedschap kan leiden tot ernstig persoonlijk letsel.
- Draag persoonlijke beschermende uitrusting. Draag altijd oogbescherming.** Beschermende uitrusting, zoals een stofmasker, antislip veiligheidsschoenen, een helm, of gehoorbescherming, gebruikt in de juiste omstandigheden, zal het risico op persoonlijk letsel verminderen.
- Zorg ervoor dat het gereedschap niet per ongeluk kan worden ingeschakeld. Controleer dat de schakelaar in de stand Uit staat voor u het gereedschap aansluit op de stroombron en/of de accu plaatst en voor u het gereedschap oppakt en draagt.** Het dragen van elektrisch gereedschap met uw vinger op de schakelaar of het van stroom voorzien van elektrisch gereedschap waarvan de schakelaar in de stand Aan staat, kan gemakkelijk leiden tot ongelukken.
- Verwijder instelgereedschap of steeksleutels voor u het gereedschap inschakelt.** Een steeksleutel of stelsleutel die in een ronddraaiend onderdeel van het elektrische gereedschap is achtergebleven, kan persoonlijk letsel veroorzaken.
- Reik niet buiten uw macht. Blijf te allen tijde stevig in evenwicht en met beide voeten op de grond staan.** Dit zorgt voor betere controle van het elektrisch gereedschap in onverwachte situaties.

- f. **Draag geschikte kleding. Draag geen loszittende kleding of sieraden. Houd uw haar, kleding en handschoenen uit de buurt van bewegende onderdelen.** Loszittende kleding, sieraden of lang haar kunnen door bewegende delen worden gegrepen.
- g. **Als voorzieningen voor het afzuigen en opvangen van stof kunnen worden gemonteerd, is het belangrijk dat u controleert dat ze goed zijn aangesloten en op juiste wijze worden gebruikt.** Het gebruik van stofafzuiging kan aan stof gerelateerde gevaren verminderen.
- h. **Denk niet dat u, doordat u gereedschap veel hebt gebruikt, wel weet hoe het werkt en dat u de veiligheidsbeginselen van het gereedschap wel kunt negeren.** Een onvoorzichtige handeling kan in een fractie van een seconde ernstig letsel veroorzaken.
4. **Gebruik en verzorging van elektrisch gereedschap**
- a. **Overbelast het gereedschap niet. Gebruik het juiste elektrisch gereedschap voor uw toepassing.** Het juiste elektrisch gereedschap voert de werkzaamheden waarvoor het is ontworpen, beter en veiliger uit.
- b. **Gebruik het elektrisch gereedschap niet wanneer de schakelaar niet goed werkt.** Ieder gereedschap dat niet met de schakelaar kan worden bediend, is gevaarlijk en moet worden gerepareerd.
- c. **Trek de stekker uit het stopcontact en/of de accu uit het elektrisch gereedschap voordat u het gereedschap instelt, toebehoren wisselt of het gereedschap opbergt.** Dergelijke preventieve veiligheidsmaatregelen verminderen het risico dat het elektrische gereedschap per ongeluk opstart.
- d. **Bewaar niet-gebruikte elektrische gereedschappen buiten bereik van kinderen. Laat het gereedschap niet gebruiken door personen die er niet vertrouwd mee zijn en deze aanwijzingen niet hebben gelezen.** Elektrisch gereedschap zijn gevaarlijk in handen van ongetrainde gebruikers.
- e. **Onderhoud het gereedschap goed. Controleer op verkeerde uitlijning en het aanlopen van bewegende onderdelen, breuk van onderdelen en andere omstandigheden die de werking van het elektrisch gereedschap nadelig kunnen beïnvloeden. Laat het gereedschap voor gebruik repareren, als het is beschadigd.** Veel ongelukken worden veroorzaakt doordat elektrisch gereedschap niet goed is onderhouden.
- f. **Houd zaag- en snijgereedschap scherp en schoon.** Goed onderhouden gereedschap met scherpe snijranden loopt minder snel vast en is gemakkelijker onder controle te houden.
- g. **Gebruik elektrisch gereedschap, toebehoren, zaagjes en boortjes, enz., volgens deze aanwijzingen. Let daarbij op de arbeidsomstandigheden en de uit te voeren werkzaamheden.** Gebruik van het elektrische gereedschap voor werkzaamheden die anders zijn dan het bedoelde gebruik, kunnen leiden tot een gevaarlijke situatie.
- h. **Houd de handgrepen droog, schoon en vrij van olie en vet.** Door gladde handgrepen en oppervlakken die u beet pakt, kan veilig werken en bedienen van het gereedschap in onverwachte situaties onmogelijk worden.
5. **Gebruik en onderhoud van accugereedschap**
- a. **Laad accu's alleen op met de door de fabrikant aanbevolen lader.** Een lader die geschikt is voor het ene type accu, kan een risico van brand doen ontstaan bij gebruik met een andere accu.
- b. **Gebruik elektrisch gereedschap alleen in combinatie met specifiek vermelde accu's.** Het gebruik van andere accu's kan gevaar voor letsel en brand opleveren.
- c. **Houd de accu, wanneer u deze niet gebruikt, weg bij andere metalen objecten zoals paperclips, munten, sleutels, spijkers, schroeven of andere kleine metalen voorwerpen die een verbinding tot stand kunnen brengen tussen de ene pool en de andere.** Als kortsluiting tussen de polen van de accu's wordt gemaakt, kunnen brandwonden of brand worden veroorzaakt.
- d. **Wanneer de accu slecht wordt behandeld, kan er vloeistof uit de accu spuiten, vermijd contact met deze vloeistof. Als er per ongeluk contact ontstaat, spoel dan met water. Als de vloeistof in de ogen komt, roep dan tevens medische hulp in.** Vloeistof die uit de batterij komt, kan irritatie en brandwonden veroorzaken.
- e. **Gebruik geen accu of gereedschap dat beschadigd is of waaraan wijzigingen zijn aangebracht.** Beschadigde of gemodificeerde accu's kunnen zich onvoorspelbaar gedragen en dat kan brand, explosie of een risico van letsel tot gevolg kan hebben.
- f. **Stel een accu of gereedschap niet bloot aan open vuur of uitzonderlijk hoge temperatuur.** Brand of een temperatuur boven de 130 °C kunnen de accu doen exploderen.
- g. **Volg alle instructies voor het opladen en laad de accu of het gereedschap niet op buiten het temperatuurbereik dat in de instructies wordt opgegeven.** Door op onjuiste wijze opladen of opladen bij een temperatuur buiten het opgegeven bereik kan de accu beschadigd raken en het risico van brand toenemen.
6. **Service**
- a. **Laat het gereedschap repareren door gekwalificeerd en vakkundig personeel en alleen met originele vervangende onderdelen.** Dit garandeert dat de veiligheid van het gereedschap behouden blijft.

- b. **Probeer nooit beschadigde accu's te repareren.** Het nazien van ACCU's mag uitsluitend worden uitgevoerd door de fabrikant of officiële servicemonteurs.

Aanvullende veiligheidswaarschuwingen voor elektrisch gereedschap



Waarschuwing! Aanvullende veiligheidswaarschuwingen voor schroevendraaiers.

- ◆ Houd het gereedschap alleen vast aan geïsoleerde oppervlakken als u een handeling uitvoert waarbij het zaaggereedschap in contact kan komen met verborgen bedrading. Accessoires van zaaggereedschap die in contact komen met bedrading waar spanning op staat, kunnen metalen onderdelen van het elektrisch gereedschap onder stroom zetten en de gebruiker een elektrische schok geven.
- ◆ **Draag gehoorbescherming bij het werken met slagboormachines.** Blootstelling aan lawaai kan gehoorverlies veroorzaken.
- ◆ **Gebruik de extra handgrepen die bij het gereedschap worden geleverd.** Verlies van controle kan leiden tot persoonlijk letsel.
- ◆ **Houd het gereedschap goed vast voor u begint.** Dit gereedschap heeft een hoog vermogen, wanneer u het gereedschap tijdens gebruik niet goed vasthoud kunt u de controle over het gereedschap verliezen wat kan leiden tot persoonlijk letsel.

Veiligheidsinstructie bij het gebruik van lange boren

- ◆ **Werk nooit op een hogere snelheid dan de maximale nominale snelheid van de boor.** Bij hogere snelheden zal de boor waarschijnlijk buigen als de boor vrij kan draaien zonder contact te maken met het werkstuk, en dat kan leiden tot persoonlijk letsel.
- ◆ **Begin altijd te boren op een lage snelheid en met de tip van de boor in contact met het werkstuk.** Bij hogere snelheden zal de boor waarschijnlijk buigen als de boor vrij kan draaien zonder contact te maken met het werkstuk, hetgeen kan leiden tot persoonlijk letsel.
- ◆ **Oefen alleen in een directe lijn druk uit op de boor en oefen niet uitzonderlijk veel druk uit.** Boren kunnen buigen wat kan leiden tot breuk of verlies van controle, wat persoonlijk letsel tot gevolg kan hebben.
- ◆ **Gebruik klemmen of pas een andere praktische manier toe om het werkstuk op een stabiele ondergrond vast te zetten. Het werkstuk met de hand vasthouden of tegen uw lichaam, zorgt ervoor dat het onstabiel is, hetgeen tot persoonlijk letsel kan leiden.**
- ◆ **Voordat u schroeven indraait in muren, vloeren of plafonds, moet u de locatie eerst controleren op de aanwezigheid van kabels en leidingen.**

- ◆ **Het bedoeld gebruik wordt beschreven in deze gebruiksaanwijzing.**
- ◆ **Het gebruik van een accessoire of hulpstuk of het met dit gereedschap uitvoeren van werkzaamheden anders dan die in deze gebruiksaanwijzing worden aanbevolen kunnen leiden tot een risico op persoonlijk letsel en/of materiële schade.**

Veiligheid van anderen

- ◆ Dit gereedschap mag niet worden gebruikt door personen (met inbegrip van kinderen) die lichamelijk of geestelijk mindervalide zijn of die geen ervaring met of kennis van dit gereedschap hebben, tenzij ze onder toezicht staan of instructies krijgen wat betreft het gebruik van het gereedschap van een persoon die verantwoordelijk is voor hun veiligheid.
- ◆ Houd toezicht op kinderen zodat zij niet met het apparaat kunnen spelen.

Overige risico's

Er kunnen zich nog meer risicovolle situaties voordoen wanneer u het gereedschap gebruikt, die mogelijk niet in de bijgesloten veiligheidswaarschuwingen worden vermeld. Deze risico's kunnen voortvloeien uit verkeerd gebruik, langdurig gebruik, enz.

Zelfs bij het toepassen van de relevante veiligheidsvoorschriften en het gebruik van veiligheidsvoorzieningen zullen bepaalde risico's misschien niet kunnen worden vermeden. Dit zijn onder meer:

- ◆ Verwondingen die worden veroorzaakt door het aanraken van draaiende of bewegende onderdelen.
- ◆ Verwondingen die worden veroorzaakt bij het vervangen van onderdelen, bladen of accessoires.
- ◆ Verwondingen die worden veroorzaakt door langdurig gebruik van het gereedschap. Las vooral regelmatig pauzes in wanneer u gereedschap langdurig achtereen gebruikt.
- ◆ Gehoorbeschadiging.
- ◆ Gezondheidsrisico's als gevolg van het inademen van stof dat door gebruik van het gereedschap wordt veroorzaakt (bijvoorbeeld tijdens het werken met hout, vooral eiken, beuken en MDF.)

Trilling

De aangegeven waarden voor trillingsemmissie in de technische gegevens en de conformiteitsverklaring zijn gemeten conform een standaardtestmethode die door EN 62841 wordt geboden. Hiermee kan het ene gereedschap met het andere worden vergeleken. De verklaarde trillingsemmissiewaarde kan ook worden gebruikt voor een voorlopige beoordeling van blootstelling.

Waarschuwing! De trillingsemmissiewaarde tijdens werkelijk gebruik van het elektrisch gereedschap kan verschillen van de

verklaarde waarde, afhankelijk van de manieren waarop het gereedschap wordt gebruikt. De trillingswaarde kan toenemen tot boven het vermelde niveau.

Bij het beoordelen van blootstelling aan trilling ter vaststelling van de veiligheidsmaatregelen die worden vereist volgens 2002/44/EG ter bescherming van personen die in hun werk regelmatig elektrisch gereedschap gebruiken, moet een schatting van de blootstelling aan trilling de feitelijke gebruiksomstandigheden en de manier waarop het gereedschap wordt gebruikt in overweging nemen, en ook rekening houden met alle onderdelen van de bedrijfscyclus zoals het aantal malen dat het gereedschap wordt uitgeschakeld en dat het gereedschap stationair draait, in aanvulling op de ingeschakelde tijd.

Etiketten op het gereedschap

Naast de datumcode is het gereedschap voorzien van de volgende symbolen:



Waarschuwing! Beperk het risico van letsel, de gebruiker moet de instructiehandleiding lezen.



Draag gehoorbeschermers bij het werken met slagboormachines. Blootstelling aan lawaai kan gehoorverlies veroorzaken



Kijk niet in de lamp

Aanvullende veiligheidsinstructies voor accu's en laders (niet meegeleverd met het gereedschap)

Accu's

- ◆ Probeer nooit om welke reden dan ook de accu te openen.
- ◆ Stel de accu niet bloot aan water.
- ◆ Bewaar de accu niet op locaties waar de temperatuur kan stijgen tot boven 40 °C.
- ◆ Laad de accu's alleen op bij een omgevingstemperatuur van 10 °C en 40 °C.
- ◆ Gebruik alleen de lader die bij het apparaat is geleverd.
- ◆ Gooi versleten accu's weg volgens de instructies in het gedeelte "Het milieu beschermen".

Laad beschadigde accu's niet op.



Laders

- ◆ Gebruik uw lader van Stanley Fat Max alleen voor de accu's in het gereedschap waarbij de lader is geleverd. Andere batterijen kunnen exploderen, met lichamelijk letsel en materiële schade tot gevolg.

- ◆ Probeer nooit niet-oplaadbare accu's op te laden.
- ◆ Een defect snoer moet direct worden vervangen.
- ◆ Stel de accu niet bloot aan water.
- ◆ Maak de lader niet open.
- ◆ Prik nooit een voorwerp in de lader.



De lader is uitsluitend bestemd voor gebruik binnenshuis.



Lees voor gebruik deze gebruikershandleiding.

Elektrische veiligheid



De lader is dubbel geïsoleerd, zodat een aardeaansluiting niet nodig is. Controleer altijd dat de netspanning overeenkomt met de waarde op het typeplaatje. Probeer nooit om de lader door een normale netstekker te vervangen.

- ◆ Als het netsnoer is beschadigd moet dit worden vervangen door de fabrikant of door een officieel Stanley Fat Max-servicecentrum, zodat ongelukken worden voorkomen.

Funcities

Het apparaat kan de volgende onderdelen bevatten.

1. Aan/uit-schakelaar
2. Vooruit/Achteruit-knop
3. Stelring voor aanpassing draaimoment
4. Selectieknop twee snelheden
5. Sleutellose boorkop
6. Accu
7. Ontgrendelingsknop accu
8. LED-werklicht
9. Bithouder

Gebruik

Waarschuwing! Laat het gereedschap op z'n eigen snelheid werken.

Overbelast het niet.

De accu opladen

De accu moet vóór het eerste gebruik worden opgeladen en ook zodra deze niet meer voldoende vermogen levert voor taken die eerst gemakkelijk konden worden uitgevoerd. Tijdens het opladen kan de accu warm worden. Dit is normaal en duidt niet op een probleem.

Waarschuwing! Laad de batterij niet op bij een omgevingstemperatuur van lager dan 10 °C of hoger dan 40 °C. De aanbevolen laadtemperatuur: ongev. 24 °C.

Opmerking: De lader functioneert niet als de temperatuur van de accu lager is dan ongeveer 10 °C of hoger dan 40 °C.

Laat de accu in dat geval in de lader zitten. De lader wordt automatisch ingeschakeld wanneer de accu de juiste temperatuur heeft.

- ◆ Steek de lader in een geschikt stopcontact voordat u de accu plaatst.
- ◆ Plaats de accu in de lader.



Het groene oplaadlampje gaat knipperen ten teken dat de accu wordt opgeladen.



Wanneer de accu geheel is opgeladen, blijft het groene LED-lampje ononderbroken branden. De accu is nu volledig opgeladen en kan worden gebruikt of in de acculader blijven zitten.

Waarschuwing! Laad accu's die leeg zijn zo spoedig mogelijk na gebruik op, omdat anders de levensduur van de accu mogelijk ernstig wordt bekort.

Problemen met de accu

Deze lader is zo ontworpen dat bepaalde problemen die zich kunnen voordoen met accu's of met de stroomvoorziening, kunnen worden gedetecteerd. Problemen worden aangeduid door middel van een LED die in verschillende patronen knippert.

Slechte accu



De lader kan vaststellen dat een accu zwak is of beschadigd. De rode LED knippert in een patroon dat op het label wordt aangeduid. Ziet u het lampje in dit patroon van een slechte accu knipperen, ga dan niet door met het opladen van de accu. Breng de accu terug naar het service Centrum of naar een inzamellocatie waar de accu kan worden gerecycled.

Hot/Cold Pack Delay (Vertraging Hete/Koude Accu)



Wanneer de lader waarneemt dat een accu veel te warm of veel te koud is, wordt onmiddellijk een Hot/Cold Delay gestart en wordt het laden uitgesteld tot de accu een normale temperatuur heeft bereikt. Zodra dit het geval is, schakelt de lader automatisch over op de stand Pack Charging. Deze functie waarborgt een maximale levensduur van de accu. De rode LED knippert in het patroon die wordt aangeduid op de label wanneer een Hot/Cold Pack Delay wordt waargenomen.

Probleem stroomvoorziening



Wanneer de lader wordt gebruikt met bepaalde draagbare stroombronnen, zoals generatoren of bronnen die gelijkstroom omzetten in wisselstroom, zal de lader misschien tijdelijk niet werken. De LED knippert in een patroon dat op het label wordt aangeduid. Dit geeft aan dat de stroombron buiten het bereik van de lader ligt.

De accu in de lader laten zitten

U kunt de accu voor onbepaalde tijd in de lader laten zitten terwijl het LED-lampje brandt. De lader houdt de accu volledig opgeladen.

Belangrijke opmerkingen over opladen

- ◆ De langste levensduur en de beste prestaties kunnen worden behaald als de accu wordt opgeladen wanneer de luchttemperatuur is tussen 18° en 24 °C. LAAD de accu NIET op bij een luchttemperatuur lager dan +4,5°C of hoger dan +40,5°C. Dit is belangrijk en zal ernstige beschadiging van de accu voorkomen.
- ◆ De lader en de accu zullen tijdens het laden misschien bij aanraking warm aanvoelen. Dit is normaal en wijst niet op een probleem. Plaats de accu en de lader na gebruik niet in een warme omgeving, zoals een metalen schuur of een niet-geïsoleerde aanhangwagen, laat ze op een koele plaats afkoelen.
- ◆ Als de accu niet goed oplaadt:
 - ◆ Controleer de spanning door een lamp of ander apparaat aan te sluiten op het stopcontact.
 - ◆ Controleer of de spanning op het stopcontact misschien wordt onderbroken door een lichtschakelaar, die het stopcontact stroomloos maakt wanneer u het licht uitschakelt.
 - ◆ Breng de lader en de accu naar een plaats waar de lucht/omgevingstemperatuur ongeveer 18- 24 °C. Houd het probleem met het laden aan, breng dan het gereedschap, de accu en de lader naar het Stanley Fat Max-servicecentrum bij u in de buurt.

- ◆ De accu moet worden opgeladen wanneer de accu niet voldoende vermogen levert voor werkzaamheden die voorheen zonder veel moeite werden gedaan.
- ◆ WERK NIET LANGER MET HET GEREEDSCHAP onder deze omstandigheden. Volg de laadprocedure.
- ◆ U kunt ook een accu die u al hebt gebruikt opladen, wanneer u dat maar wilt, zonder nadelige gevolgen voor de accu.

De accu in het gereedschap plaatsen en eruit nemen

Waarschuwing! Controleer dat de knop voor vergrendeling in de Uit-stand is ingeschakeld zodat de tacker niet kan worden ingeschakeld, voordat u de accu uitneemt of plaatst.

De accu plaatsen

- ◆ Plaats de accu in het gereedschap tot u een klik hoort, zoals wordt getoond in Afbeelding A. Controleer of de accu goed op z'n plaats zit en volledig is vergrendeld.

De accu uitnemen

- ◆ Druk op de accuvrijgaveknop (7) zoals wordt getoond in Afbeelding B en neem de accu uit het gereedschap.

Aan/Uit-schakelaar & Vooruit/Achteruit-knop - afbeelding C

- ◆ U schakelt de boormachine IN en UIT door de aan/uit-schakelaar (1), weergegeven in afbeelding H, in te drukken en los te laten. Hoe verder de schakelaar wordt ingedrukt, des te hoger de snelheid van de boormachine.
- ◆ Met de Vooruit/Achteruit-knop (2) bepaalt u de draairichting van het gereedschap. Deze knop dient ook als knop voor vergrendeling in de Uit-stand.
- ◆ Om de draairichting in de stand vooruit in te stellen, dient de aan/uit-schakelaar losgelaten te worden en dient de knop Vooruit/Achteruit aan de rechterzijde van het gereedschap ingedrukt te worden.
- ◆ U selecteert de draairichting achteruit door de regelknop Vooruit/Achteruit aan de linkerzijde van het gereedschap in te drukken.
- ◆ De middelste stand van de regelknop vergrendelt het gereedschap in de Uit-stand. Wanneer u de stand van de regelknop wijzigt, is het belangrijk dat u de Aan/Uit-schakelaar niet indrukt.

Torsieregeling aanpassen - afbeelding D

Dit gereedschap is voorzien van een stelling (3) voor het draaimoment waarmee u de gebruiksstand kunt selecteren en de draaimoment voor het indraaien van schroeven kunt instellen. Grote schroeven en harde werkstukmaterialen vereisen een hogere draaimoment-instelling dan kleine schroeven en zachte werkstukmaterialen.

- ◆ Als u in hout, metaal of kunststof wilt boren, stelt u de

stelling in op het symbool voor de boorstand.

- ◆ Zet voor het in- of uitdraaien van schroeven de stelling op de gewenste instelling of stand. Ga als volgt te werk als u niet weet wat de juiste instelling is:
 - ◆ Stel de stelling in op de laagste torsie-instelling.
 - ◆ Draai de eerste schroef aan.
 - ◆ Als de koppeling ratelt voordat het gewenste resultaat is bereikt, verhoogt u de instelling van de stelling en gaat u door met het aandraaien van de schroef.
 - ◆ Herhaal dit tot u de juiste instelling heeft bereikt.
 - ◆ Gebruik deze instelling voor de resterende schroeven.

Schakelaar twee snelheden - afbeelding E

Met de dubbele versnelling van uw boormachine kunt een andere versnelling kiezen en dat levert meer toepassingsmogelijkheden op.

- ◆ Selecteer de lage snelheid, hoge torsie instelling (stand 1), schakel het gereedschap uit en laat deze tot stilstand komen. Schuif de knop voor snelheidswissel (4) naar achteren (weg van de boorkop).
- ◆ Schakel voor de hoge snelheid, voor de instelling voor lage torsie (stand 2), het gereedschap uit en laat u het tot stilstand komen. Schuif de knop voor snelheidswissel weer naar voren (naar de boorkop toe).

Opmerking: Wissel niet van snelheid wanneer het gereedschap draait. Als het wisselen van snelheid niet gemakkelijk verloopt, is het belangrijk dat u controleert dat de knop voor de snelheidswissel geheel naar voren of geheel naar achteren is geduwd.

Sleutellose boorkop - afbeelding F

Waarschuwing! Controleer, voordat u accessoires plaatst of losneemt, dat de accu is uitgenomen, zodat het gereedschap niet per ongeluk kan worden ingeschakeld.

Een boortje of een ander accessoire inzetten:

- ◆ Pak de boorkop (5) vast en draai deze linksom, vanaf het uiteinde van de boorkop gezien.
- ◆ Plaats het boortje of het andere accessoire geheel in de boorkop en zet het stevig vast door de boorkop rechtsom te draaien, zoals gezien vanuit de boorkop.

Waarschuwing! Probeer niet boren (of andere accessoires) vast te zetten of los te maken door het voorste gedeelte van de boorkop vast te houden en het gereedschap in te schakelen. Wanneer u accessoires op deze manier vervangt, kan de spankop beschadigd raken en kunt u zich bezeren.

Schroeven draaien

- ◆ Als u schroeven wilt indraaien, moet u de knop voor vooruit/achteruit naar links duwen.
- ◆ Gebruik de achterwaartse draairichting (knop naar rechts geduwd) als u schroeven wilt uitdraaien.

Opmerking: Wanneer u wisselt van vooruit naar achteruit, of vice versa, moet u altijd eerst de aan/uit-schakelaar loslaten.

Boren

- ◆ Gebruik alleen scherpe boortjes.
- ◆ Ondersteun het werkstuk en zet het goed vast , volgens de aanwijzingen in de Veiligheidsinstructies.
- ◆ Gebruik geschikt en vereist veiligheidsapparatuur, volgens de aanwijzingen in de Veiligheidsinstructies.
- ◆ Maak het werkgebied veilig en onderhoud het volgens de aanwijzingen in de Veiligheidsinstructies.
- ◆ Laat de boormachine langzaam draaien, oefen lichte druk uit tot het gat voldoende diep is en het boortje niet meer kan weglopen.
- ◆ Oefen druk uit in een rechte lijn met de boor. Duw hard genoeg om de boor te laten boren, maar niet zo hard dat de motor blijft steken of dat de boor opzij beweegt.
- ◆ Houd de boor stevig met twee handen vast, één hand op de handgreep en de andere hand geklemd aan de onderzijde om de accu of om de extra handgreep, als deze is geleverd.
- ◆ **SCHAKEL EEN VASTGELOPEN BOORMACHINE NIET IN EN UIT ALS EENPOGING DE MACHINE WEER OP GANG TE BRENGEN. HIERDOOR KAN DE BOORMACHINE BESCHADIGD RAKEN.**
- ◆ Verklein de kans op vastlopen in het laatste gedeelte van het boren door dan de druk te verminderen en langzaam te boren.
- ◆ Laat de motor draaien terwijl u de boor uit het geboorde gat trekt. Hierdoor verkleint u de kans op blokkeren.
- ◆ Controleer dat de Aan/Uit-schakelaar goed werkt.

In hout boren

Gaten in hout kunt u met dezelfde spiraalboren maken die u ook voor metaal gebruikt of met speciale houtboren. Deze boren moeten scherp zijn en moeten tijdens het boren regelmatig uit het gat worden getrokken zodat spaanders uit de groeven van de boor kunnen ontsnappen.

In metaal boren

Gebruik een snijvloeistof wanneer u in metaal boort. De uitzonderingen zijn gietijzer en messing, deze moeten droog worden geboord. De snijolie die het beste werkt, is gezwavelde snijolie.

In steen boren

Zet voor boren in metselwerk de kraag (3) in de stand. voor hamerboren door het symbool tegenover de markering te draaien. Gebruik steenboren met een hardmetalen punt. Raadpleeg het hoofdstuk Boren. Oefen een gelijkmatige druk op de boormachine uit, maar niet zoveel dat er scheuren in het brossen materiaal ontstaan. Een gelijkmatige, constante stroom van de stof wijst erop dat u de juiste boorsnelheid gebruikt.

LED-werklicht

Wanneer u de boormachine inschakelt door de aan/uit-schakelaar (1) in te trekken, verlicht het geïntegreerde LED- werklicht (8) automatisch het werkgebied.

Opmerking: Het werklicht is bedoeld voor het verlichten van het werkoppervlak in de onmiddellijke nabijheid en het is niet de bedoeling dat u het licht gebruikt als zaklantaarn.

Bitopbergvak

In de voet van het gereedschap bevindt zich een opbergsleuf (9) voor bits.

Problemen oplossen

Probleem	Mogelijke oorzaak	Mogelijke oplossing
Unit start niet.	De accu is niet juist geïnstalleerd. De accu is niet opgeladen.	Controleer de manier waarop de accu is geïnstalleerd. Controleer de laadvereisten voor de accu
Het gereedschap start zodra u de accu inzet	De schakelaar is in de stand 'ON' blijven staan.	De schakelaar moet in de stand 'OFF' worden gezet, zodat het gereedschap niet onmiddellijk kan starten wanneer de accu wordt ingezet.
De accu kan niet worden opgeladen.	De accu is niet goed in de oplader geplaatst. De stekker van de lader zit niet in het stopcontact. De luchttemperatuur van de omgeving is te hoog of te laag.	Plaats de accu in de lader, zodat het indicatielampje voor het lader rood gaat branden. Steek de stekker van de lader in een werkend stopcontact. Verplaats de lader en de accu naar een locatie waar de luchttemperatuur hoger is dan 4,5 °C en lager is dan 40,5 °C.
Apparaat werkt plotseling niet meer.	Accu heeft de maximale temperatuur bereikt. Accu is leeg. (De accu is zo ontworpen dat hij zichzelf plotseling uitschakelt wanneer hij bijna leeg is. Dit verlengt de levensduur van de accu.)	Laat de accu afkoelen. Plaats de accu op de lader en laad de accu op.

Onderhoud

Uw Stanley Fat Max-gereedschap is ontworpen om gedurende langere periode te functioneren met een minimum aan onderhoud. Het continu naar tevredenheid functioneren hangt af van de juiste zorg voor het gereedschap en regelmatig schoonmaken.

Ander onderhoud dan een regelmatige schoonmaakbeurt vraagt uw lader niet.

Waarschuwing! Neem, voordat u onderhoud aan het gereedschap uitvoert, de accu uit het gereedschap. Trek de stekker van de lader uit het stopcontact voor u de lader gaat schoonmaken.

- ◆ Reinig de ventilatieopeningen van het gereedschap en de lader regelmatig met een zachte borstel of een droge doek.
- ◆ Reinig de behuizing van de motor regelmatig met een vochtige doek.
Gebruik geen schuurmiddelen of schoonmaakmiddelen die op een oplosmiddel zijn gebaseerd.
- ◆ Open regelmatig de spankop en tik stof uit het binnenste.

Bescherming van het milieu



Gescheiden afvalinzameling. Producten en accu's die zijn voorzien van dit symbool mogen niet worden weggegooid bij het normale huishoudafval.

Producten en accu's bevatten materialen die kunnen worden herwonnen en gerecycled waardoor de vraag naar grondstoffen afneemt.

Recycle elektrische producten en accu's volgens de ter plaatse geldende voorschriften. Nadere informatie is beschikbaar op www.2helpU.com.

Technische gegevens

		FMC626
Spanning	V_{DC}	18V
Snelheid onbelast	Min^{-1}	0-350/0-1500
Max. aanhaalmoment	Nm	47
Capaciteit spankop	mm	13
Max. boorvermogen		
Metaal/hout/metselwerk	mm	13/35/13
Gewicht	kg	1,2

		905998**	906086**
Ingangsspanning	V_{AC}	230	230
Uitgangsspanning	V_{DC}	18	18
Laadstroom	mA	1000	2000
Opladtid ca.	Min	80-240	40-120

Accu		FMC685L	FMC687L	FMC684L
Spanning	V_{AC}	18	18	18
Capaciteit	Ah	1,5	2,0	1,3
Type		Li-Ion	Li-Ion	Li-Ion

Geluidsdrukniveau volgens EN 62841:

Geluidsdruk (L_{pA}) 87,0 dB(A), onzekerheid (K) 5 dB(A)

Geluidsvermogen (L_{WA}) 98,0 dB(A), onzekerheid (K) 5 dB(A)

Totale trillingswaarden (som triaxvector) volgens EN 60745:

Boren in metaal ($a_{h,D}$) <2,5 m/s², onzekerheid (K) 1,5 m/s²

Met slagboor in beton boren ($a_{h,D}$) 14,9 m/s², onzekerheid (K) 1,5 m/s²

EG-verklaring van overeenstemming

RICHTLIJN VOOR MACHINES



FMC626 - Draadloze slagboor

Stanley Fat Max verklaart dat deze producten, die worden beschreven onder "Technische gegevens", voldoen aan: 2006/42/EC, EN62841-1:2015, EN62841-2-1:2018+A11:2019.

Deze producten voldoen ook aan Richtlijn 2014/30/EU en 2011/65/EU.

Neem voor meer informatie contact op met Stanley Fat Max op het volgende adres of raadpleeg de achterzijde van de handleiding.

Ondergetekende is verantwoordelijk voor de compilatie van het technische bestand en stelt deze verklaring op namens Stanley Fat Max.

Patrick Diepenbach

Patrick Diepenbach
General Manager, Benelux
Stanley Fat Max,
Egide Walschaertsstraat 14-18
2800 Mechelen, België
30-09-2021

Garantie

Stanley Fat Max heeft vertrouwen in zijn producten en biedt consumenten een garantie van 12 maanden vanaf de datum van aankoop. Deze garantie is een aanvulling op uw wettelijke rechten en maakt op geen enkele wijze inbreuk daarop. De garantie is geldig op het grondgebied van de Lidstaten van de Europese Unie en de Europese Vrijhandelszone.

Voor een garantie-aanspraak moet uw aanspraak in overeenstemming zijn met de Voorwaarden en Conditie van Stanley Fat Max en moet u een bewijs van aankoop overleggen aan de verkoper of aan een geautoriseerde reparatiemonteur. Voorwaarden en condities van de 1-jarige garantie van Stanley Fat Max en de vestiging van het geautoriseerde reparatiecentrum bij u in de buurt, kunt u vinden op internet op www.2helpU.com, of kunt u verkrijgen door contact op te nemen met het Stanley Fat Max-kantoor op het adres dat in deze handleiding wordt vermeld.

Bezoek onze website www.stanley.eu/3, waar u uw nieuwe Stanley Fat Max-product kunt registreren en u informatie kunt ontvangen over nieuwe producten en speciale aanbiedingen

Uso previsto

El taladro/destornillador Stanley Fat Max FMC626 ha sido diseñado para atornillar y para taladrar madera, metal, plásticos y mampostería ligera. Este aparato está pensado para usuarios profesionales y para usuarios no profesionales privados.

Instrucciones de seguridad

Advertencias de seguridad generales para herramientas eléctricas



¡Advertencia! Lea todas las advertencias de seguridad, instrucciones, ilustraciones y especificaciones suministradas con esta herramienta eléctrica. El incumplimiento de las advertencias e instrucciones que aparecen a continuación podría provocar una descarga eléctrica, un incendio y/o lesiones graves.

Guarde todas las advertencias e instrucciones para poder consultarlas con posterioridad. El término "herramienta eléctrica" que aparece en todas las advertencias que aparecen a continuación se refiere a la herramienta eléctrica que funciona a través de la red eléctrica (con cable) o a la herramienta eléctrica que funciona con batería (sin cable).

1. Seguridad en la zona de trabajo

- a. **Mantenga limpia y bien iluminada el área de trabajo.**
Las áreas en desorden u oscuras pueden provocar accidentes.
- b. **No utilice herramientas eléctricas en atmósferas explosivas tales como aquellas en las que haya líquidos, gases o polvos inflamables.** Las herramientas eléctricas originan chispas que pueden inflamar el polvo o los gases.
- c. **Mantenga alejados a los niños y a otras personas del área de trabajo al emplear la herramienta eléctrica.**
Las distracciones pueden ocasionar que pierda el control.

2. Seguridad eléctrica

- a. **El enchufe de la herramienta eléctrica debe corresponder a la toma de corriente. No modifique nunca el enchufe de ninguna forma. No utilice ningún enchufe adaptador con herramientas eléctricas conectadas a tierra (a masa).** Los enchufes no modificados y las tomas de corriente correspondientes reducirán el riesgo de descarga eléctrica.
- b. **Evite que su cuerpo toque partes conectadas a tierra como tuberías, radiadores, cocinas y refrigeradores.**
Existe un mayor riesgo de descarga eléctrica si su propio cuerpo está conectado a tierra.

- c. **No exponga las herramientas eléctricas a la lluvia y evite que penetren líquidos en su interior.** Si entra agua en una herramienta eléctrica, aumenta el riesgo de descarga eléctrica.
- d. **Cuide el cable de alimentación. No use nunca el cable para transportar, tirar de la herramienta eléctrica o desenchufarla. Mantenga el cable alejado del calor, aceite, bordes afilados y piezas en movimiento.** Los cables dañados o enredados aumentan el riesgo de descarga eléctrica.
- e. **Al trabajar con la herramienta eléctrica en la intemperie utilice solamente cables de prolongación homologados para su uso en exteriores.** La utilización de un cable adecuado para el uso en exteriores reduce el riesgo de descarga eléctrica.
- f. **Si la utilización de una herramienta eléctrica en un lugar húmedo es inevitable, utilice una fuente protegida con un dispositivo diferencial residual (DDR).** El uso de un DDR reduce el riesgo de descarga eléctrica.

3. Seguridad personal

- a. **Esté atento a lo que hace y emplee la herramienta eléctrica con prudencia. No maneje una herramienta eléctrica cuando esté cansado o bajo los efectos de drogas, medicamentos o alcohol.** Un momento de desatención cuando se manejan las herramientas eléctricas puede ocasionar lesiones personales graves.
- b. **Utilice un equipo de protección personal. Utilice siempre protección ocular.** El uso del equipo protector, como mascarillas antipolvo, calzado antideslizante, casco o protección auditiva, usado en condiciones apropiadas, reduce las lesiones personales.
- c. **Impida que la herramienta se ponga en marcha accidentalmente. Asegúrese de que el interruptor esté en posición de apagado antes de conectar con la fuente de alimentación y/o la batería, de levantar o transportar la herramienta.** El transportar herramientas eléctricas con el dedo puesto en el interruptor o herramientas eléctricas activadoras que tengan el interruptor encendido puede provocar accidentes.
- d. **Retire las herramientas de ajuste o llaves fijas antes de conectar la herramienta eléctrica.** Una llave inglesa u otra llave que se deje puesta en una pieza en movimiento de la herramienta eléctrica pueden ocasionar lesiones personales.
- e. **Sea precavido. Mantenga un equilibrio adecuado y la estabilidad constantemente.** Esto permite un mejor control de la herramienta eléctrica en situaciones inesperadas.
- f. **Lleve puesta una vestimenta de trabajo adecuada. No se ponga ropa suelta o joyas. Mantenga el cabello, la ropa y los guantes alejados de las piezas en**

- movimiento.** La ropa suelta, las joyas y el pelo largo pueden quedar atrapados en las piezas en movimiento.
- g. Siempre que sea posible utilice unos equipos de aspiración o captación de polvo, asegúrese de que estén montados y se utilicen correctamente.** El uso de equipo de recogida de polvo puede reducir los riesgos relacionados con el polvo.
- h. No permita que la familiaridad adquirida por el uso frecuente de las herramientas le hagan confiarse demasiado e ignorar los principios de seguridad de las herramientas.** Una acción descuidada puede causar lesiones graves en una fracción de segundo.
- 4. Uso y cuidado de la herramienta eléctrica**
- a. No sobrecargue la herramienta eléctrica. Use la herramienta eléctrica correcta para su trabajo.** La herramienta eléctrica correcta funcionará mejor y con mayor seguridad si se utiliza de acuerdo con sus características técnicas.
- b. No utilice herramientas eléctricas con un interruptor defectuoso.** Toda herramienta eléctrica que no pueda controlarse con el interruptor es peligrosa y debe ser reparada.
- c. Desconecte el conector de la herramienta eléctrica de la fuente de alimentación y la batería antes de realizar cualquier ajuste, cambiar accesorios o guardar la herramienta.** Dichas medidas de seguridad preventivas reducen el riesgo de poner en marcha accidentalmente la herramienta eléctrica.
- d. Guarde las herramientas eléctricas fuera del alcance de los niños y de las personas que no estén familiarizadas con su uso.** Las herramientas eléctricas son peligrosas en manos de personas no capacitadas.
- e. Realice el mantenimiento de sus herramientas eléctricas. Compruebe si hay desalineación o bloqueo de las piezas en movimiento, rotura de piezas y otras condiciones que puedan afectar el funcionamiento de la herramienta eléctrica. Si la herramienta eléctrica está dañada, llévela a reparar antes de utilizarla.** Muchos accidentes se ocasionan por el incorrecto mantenimiento de las herramientas eléctricas.
- f. Mantenga las herramientas de corte limpias y afiladas.** Hay menos probabilidad de que las herramientas de corte con bordes afilados se bloqueen, y son más fáciles de controlar.
- g. Utilice la herramienta eléctrica, los accesorios, los útiles de la herramienta, etc. de acuerdo con estas instrucciones, y tenga en cuenta las condiciones de trabajo y la tarea que va a realizar.** El uso de la herramienta eléctrica para operaciones que no sean las previstas puede ocasionar una situación peligrosa.
- h. Mantenga las empuñaduras y las superficies de agarre secas, limpias y libres de aceite y grasa.** Las empuñaduras y superficies de agarre resbaladizas impiden el agarre y el control seguro de la herramienta en situaciones imprevistas.
- 5. Uso y cuidado de la herramienta de batería**
- a. Recárguela solo con el cargador especificado por el fabricante.** Un cargador adecuado para un tipo de batería puede causar riesgos de incendio al ser utilizado con otra batería.
- b. Utilice las herramientas eléctricas solamente con las baterías recomendadas.** El uso de otras baterías puede suponer un riesgo de incendio y lesiones.
- c. Cuando no utilice la batería, manténgala alejada de objetos de metal como clips para papel, monedas, llaves, clavos, tornillos y otros pequeños objetos metálicos que pueden realizar una conexión de un terminal a otro.** Si provoca un cortocircuito entre los terminales de la batería, puede ocasionar un incendio o sufrir quemaduras.
- d. En caso de uso abusivo puede salir líquido de la batería, evite el contacto. Si se produce un contacto accidental, lávese con agua. Si el líquido entra en contacto con los ojos, busque atención médica de inmediato.** El líquido expulsado por la batería podrá provocar irritaciones o quemaduras.
- e. No utilice baterías o herramientas dañadas o modificadas.** Las baterías dañadas o modificadas pueden presentar un funcionamiento imprevisto y causar incendio, explosión o riesgo de lesiones.
- f. No exponga la batería ni la herramienta al fuego o a temperaturas excesivas.** La exposición al fuego o a una temperatura superior a 130 °C puede causar explosión.
- g. Siga todas las instrucciones de carga y no cargue la batería o la herramienta fuera del rango de temperatura indicado en las instrucciones.** La carga incorrecta o a temperaturas fuera del rango especificado puede dañar la batería y aumentar el riesgo de incendio.
- 6. Servicio**
- a. Esta herramienta eléctrica puede ser reparada solo por personal técnico autorizado que emplee exclusivamente piezas de repuesto originales.** Esto le asegurará el mantenimiento de la seguridad de la herramienta eléctrica.
- b. No repare nunca las baterías dañadas.** El mantenimiento de las baterías debe ser realizado solo por el fabricante o los proveedores de servicios autorizados.

Otras advertencias de seguridad para herramientas eléctricas



¡Advertencia! Advertencias de seguridad adicionales para atornilladores.

- ◆ Sostenga la herramienta eléctrica por las superficies de agarre aisladas cuando realice una operación en la que el accesorio de corte pueda entrar en contacto con un cable oculto. El contacto de los accesorios de corte con un cable cargado puede cargar las partes metálicas expuestas de la herramienta eléctrica y producir una descarga eléctrica en el operador.
- ◆ **Utilice protectores para los oídos con los taladros de percusión.** La exposición al ruido puede provocar pérdida auditiva.
- ◆ **Utilice las empuñaduras auxiliares suministradas con la herramienta.** La pérdida de control puede provocar lesiones personales.
- ◆ **Sujete la herramienta correctamente antes de usarla.** Esta herramienta produce un alto par de salida y, si no se sujeta correctamente durante el funcionamiento, se puede perder el control y causar lesiones personales.

Instrucciones de seguridad para el uso de brocas largas

- ◆ **Nunca utilice la herramienta a una velocidad superior a la velocidad máxima de la broca.** A velocidades superiores, es probable que la broca se doble si la deja girar libremente sin entrar en contacto con la pieza de trabajo, y ello que puede causar lesiones corporales.
- ◆ **Empiece siempre a taladrar a baja velocidad y con la punta de la broca en contacto con la pieza de trabajo.** A velocidades superiores, es probable que la broca se doble si la deja girar libremente sin entrar en contacto con la pieza de trabajo, y ello que puede causar lesiones corporales.
- ◆ **Aplique presión solo en línea directa con la broca, pero sin ejercer una presión excesiva.** Las brocas pueden doblarse causando rotura o pérdida de control y lesiones corporales.
- ◆ **Utilice abrazaderas u otro elemento para asegurar y sitúe la pieza de trabajo en una plataforma estable.** Las empuñaduras resbaladizas pueden causar la pérdida de control:
- ◆ **Antes de clavar elementos de fijación en paredes, suelos o techos, compruebe la ubicación del cableado y de las tuberías.**
- ◆ **En este manual de instrucciones se describe el uso previsto del aparato.**
- ◆ **La utilización de accesorios o acoplamientos o realizar cualquier operación con la herramienta distinta a las recomendadas en el presente manual pueden suponer un riesgo de lesiones personales y/o daños materiales.**

Seguridad de otras personas

- ◆ Las personas (incluidos los niños) con capacidades físicas, sensoriales o mentales disminuidas o que carezcan de experiencia y conocimientos no deben utilizar esta herramienta, salvo que hayan recibido supervisión o formación con respecto al uso del aparato por parte de una persona responsable de su seguridad.
- ◆ Los niños deben estar vigilados en todo momento para asegurarse de que no jueguen con el aparato.

Riesgos residuales

Al usar el aparato, pueden producirse otros riesgos residuales no especificados en las advertencias de seguridad adjuntas. Estos riesgos pueden derivarse de un mal uso, un uso prolongado, etc.

No obstante el cumplimiento de las normas de seguridad pertinentes y del uso de dispositivos de seguridad, existen determinados riesgos residuales que no pueden evitarse. Esto incluye:

- ◆ Lesiones producidas por el contacto con piezas móviles o giratorias.
- ◆ Lesiones producidas al cambiar cualquier pieza, hoja o accesorio.
- ◆ Lesiones producidas al usar una herramienta por un tiempo demasiado prolongado. Cuando use cualquier herramienta durante periodos prolongados, asegúrese de hacer pausas regulares.
- ◆ Deterioro auditivo.
- ◆ Riesgos para la salud producidos al respirar el polvo que se genera al usar la herramienta (por ejemplo: en los trabajos con madera, especialmente de roble, haya y tableros de densidad mediana).

Vibraciones

El valor de emisión de vibraciones indicado en el apartado de características técnicas y en la declaración de conformidad se ha calculado según un método de prueba estándar proporcionado por la norma EN 62841 y podrá utilizarse para comparar una herramienta con otra. El valor declarado de emisión de las vibraciones también se puede usar en una evaluación preliminar de la exposición.

¡Advertencia! El valor de emisión de las vibraciones durante el uso de la herramienta eléctrica puede variar con respecto al valor declarado, dependiendo de las formas de usar la herramienta. El nivel de las vibraciones puede superar el nivel indicado.

A la hora de evaluar la exposición a las vibraciones para determinar las medidas de seguridad exigidas por la Directiva 2002/44/CE para proteger a las personas que utilizan habitualmente herramientas electrónicas en su trabajo, una estimación de la exposición a las vibraciones debe tener en cuenta las condiciones reales de uso y la forma en que se

utiliza la herramienta, teniendo en cuenta también todas las partes del ciclo operativo, como el tiempo que la herramienta está apagada y cuando funciona en ralentí, además del tiempo de activación.

Etiquetas en la herramienta

Junto con el código de la fecha, en la herramienta aparecen los siguientes símbolos:



¡Advertencia! Para reducir el riesgo de lesiones, el usuario debe leer el manual de instrucciones.



Utilice protectores para los oídos con los taladros de percusión. La exposición al ruido puede provocar pérdida de audición.



No fije la vista en la lámpara de trabajo

Instrucciones de seguridad adicionales para baterías y cargadores (No suministrados con la herramienta)

Baterías

- ◆ Nunca trate de abrir las baterías por ningún motivo.
- ◆ No exponga la batería al agua.
- ◆ No guarde la batería en lugares donde la temperatura pueda superar los 40 °C.
- ◆ Realice la carga únicamente a una temperatura ambiente de entre 10 °C y 40 °C.
- ◆ Realice la carga únicamente con el cargador suministrado con la herramienta.
- ◆ Cuando vaya a desechar las pilas, siga las instrucciones facilitadas en la sección «Protección del medioambiente».



No intente cargar baterías dañadas.

Cargadores

- ◆ Utilice el cargador Stanley Fat Max para cargar únicamente la batería de la herramienta con la que fue suministrado. En caso de intentar cargar otras baterías, estas podrían explotar causando lesiones personales y daños.
- ◆ Nunca intente cargar baterías no recargables.
- ◆ Sustituya los cables defectuosos inmediatamente.
- ◆ No exponga el cargador al agua.
- ◆ No abra el cargador.
- ◆ No aplique ningún dispositivo para medir la resistencia del cargador.



Este cargador está pensado únicamente para utilizar en un lugar interior.



Lea el manual de instrucciones antes de utilizar el aparato.

Seguridad eléctrica



El cargador está provisto de doble aislamiento, por lo que no requiere una toma de tierra. Compruebe siempre que el voltaje de la red eléctrica coincida con el valor indicado en la placa de datos. No intente sustituir el cargador por un enchufe convencional para la red eléctrica.

- ◆ Si se dañara el cable de alimentación, deberá ser sustituido por el fabricante o un centro de asistencia técnica autorizado de Stanley Fat Max para evitar cualquier situación de riesgo.

Características

Este aparato incluye una o más de las siguientes características.

1. Gatillo interruptor
2. Botón de avance/retroceso
3. Collarín de ajuste de torsión
4. Selector de engranaje de doble serie
5. Mandril sin llave
6. Batería
7. Botón de liberación de la batería
8. Luz de trabajo LED
9. Portapuntas

Use

¡Advertencia! Deje que la herramienta funcione a su ritmo. No debe sobrecargarla.

Carga de la batería

Es necesario cargar la batería antes del primer uso y cada vez que empiece a no tener suficiente potencia para tareas que eran fáciles de realizar anteriormente. Es posible que la batería se caliente durante la carga, esto es normal y no denota ningún problema.

¡Advertencia! No cargue la batería si la temperatura ambiente es inferior a 10 °C o superior a 40 °C. La temperatura de carga recomendada es de aproximadamente 24 °C.

Nota: El cargador no cargará la batería si la temperatura de esta es inferior a los 10 °C o superior a los 40 °C aproximadamente.

Deje la batería en el cargador y este empezará a cargarla automáticamente cuando la temperatura de la batería aumente o disminuya.

- ◆ Conecte el cargador a la toma adecuada antes de introducir el paquete de baterías.
- ◆ Introduzca el paquete de baterías en el cargador.



El LED indicador de carga verde parpadeará, lo cual indica que se está cargando la batería.



Se indicará que la carga ha terminado porque la luz LED verde permanecerá encendida de manera continua. La batería estará cargada y podrá usarse, o dejarla en el cargador.

¡Advertencia! Recargue el conjunto descargado de la batería tan pronto como sea posible después del uso; de lo contrario, se reducirá la vida útil del conjunto de la batería.

Diagnóstico del cargador

Este cargador ha sido diseñado para detectar algunos problemas que pueden surgir con los paquetes de baterías o la fuente de alimentación. Los problemas se indican a través de un LED parpadeante con diferentes patrones.

Fallo de la batería



El cargador puede detectar si la batería está débil o dañada. El LED rojo parpadea con el patrón indicado en la etiqueta. Si nota este patrón de parpadeo del indicador de fallo de la batería, no siga recargando la batería. Lívela a un centro de servicios o a un punto de recogida para el reciclaje.

Retardo por batería fría / caliente



Cuando el cargador detecta que la batería está demasiado fría o demasiado caliente, inicia automáticamente un retardo de batería fría / caliente y suspende la carga hasta que la batería normalice. Después de esto, el cargador cambia automáticamente al modo de carga de batería. Esta característica le asegura la máxima vida útil de la batería. El LED rojo parpadea con el patrón indicado en la etiqueta cuando detecta el retardo de batería fría/caliente.

Problema en la línea de alimentación



Cuando el cargador se usa con algunos fuentes de energía portátiles tales como generadores o convertidores de CC a CA, el cargador puede interrumpir temporalmente su funcionamiento. El LED parpadea con el patrón indicado en la etiqueta. Esto indica que la fuente de alimentación está fuera de los límites.

Dejar la batería en el cargador

El cargador y la batería pueden permanecer conectados durante un periodo de tiempo indefinido con el indicador LED iluminado. El cargador mantendrá la batería a baja temperatura y completamente cargada.

Notas importantes para la carga

- ◆ Se puede conseguir una mayor duración y rendimiento si se carga la batería cuando la temperatura ambiente está entre 65 °F y 75 °F (18 °C y 24 °C). NO cargue la batería con una temperatura ambiente inferior a +40 °F (+4.5 °C) o superior a +105 °F (+40.5 °C). Esto es importante y previene los daños graves a la batería.
- ◆ El cargador y la batería pueden calentarse durante la carga. Esto es normal y no indica ningún problema. Para facilitar el enfriamiento de la batería después del uso, evite colocar el cargador o la batería en un ambiente cálido, como un cobertizo metálico o un remolque sin aislamiento.
- ◆ Si la batería no se carga correctamente:
 - ◆ Encienda una lámpara u otro aparato para comprobar la corriente del receptáculo.
 - ◆ Compruebe si la toma de corriente está conectada a un interruptor de luz que interrumpe la energía al apagar las luces.
 - ◆ Desplace el cargador y la batería hacia un lugar donde la temperatura ambiente sea de aproximadamente 65 °F - 75 °F (18 °C - 24 °C). Si el problema de carga persiste, lleve la herramienta, el paquete de baterías y el cargador a su centro local de servicios Stanley Fat Max.

- ◆ La batería debe recargarse cuando no produzca energía suficiente para trabajos que antes se efectuaban fácilmente.
- ◆ **NO SIGA UTILIZANDO** la herramienta en estas condiciones. Siga el procedimiento de carga.
- ◆ También puede cargar una batería parcialmente usada cuando lo desee, sin ningún efecto adverso para la batería.

Colocar y sacar la batería de la herramienta

¡Advertencia! Asegúrese de que el botón de desbloqueo está bloqueado para evitar que se active el interruptor antes de sacar o colocar la batería.

Colocación del conjunto de la batería

- ◆ Inserte la batería firmemente en la herramienta hasta que se oiga un clic audible, como se muestra en la figura A. Compruebe que la batería esté correctamente colocada y bloqueada en su posición.

Extracción del conjunto de la batería

- ◆ Presione el botón de liberación de la batería (7) como se muestra en la figura B y saque el conjunto de la batería de la herramienta.

Interruptor de activación y botón de avance/retroceso - figura C

- ◆ El taladro se **ENCIENDE** y se **APAGA** tirando y soltando el interruptor de activación (1) que se muestra en la figura C. Cuanto más se oprima el interruptor de activación, mayor será la velocidad del taladro.
- ◆ El botón de control de avance/retroceso (2) determina la dirección de rotación de la herramienta y también se utiliza como botón de bloqueo.
- ◆ Para seleccionar el giro hacia delante, suelte el interruptor de activación y pulse el botón de control de avance/retroceso situado en la parte derecha de la herramienta.
- ◆ Para seleccionar el sentido de retroceso, pulse el botón de control de avance/retroceso ubicado en la parte izquierda de la herramienta.
- ◆ La posición central del botón de control bloquea la herramienta en la posición de apagado. Cuando cambie la posición del botón de control, compruebe haber soltado el interruptor activador.

Ajuste de control de par - figura D

Esta herramienta dispone de un collarín de ajuste de par (3) para seleccionar el modo de funcionamiento y ajustar el par de apriete de los tornillos. Los tornillos largos y las piezas de trabajo de materiales duros requieren un ajuste de par de torsión mayor que los tornillos pequeños y las piezas de trabajo de materiales blandos.

- ◆ Para taladrar madera, metal y plásticos, ajuste el collar en el símbolo de posición de taladrado.
- ◆ Para atornillar, coloque el collarín en el ajuste deseado. Si no conoce el ajuste adecuado, haga lo siguiente:
 - ◆ Ajuste el collar en el ajuste de torsión más bajo.
 - ◆ Apriete el primer tornillo.
 - ◆ Si la herramienta se detiene antes de obtener el resultado deseado, aumente el ajuste del collarín y siga atornillando.
 - ◆ Repita la operación hasta obtener el ajuste correcto.
 - ◆ Utilice este ajuste para los tornillos restantes.

Interruptor de doble serie - figura E

La función de dos velocidades de su taladro le permite cambiar la velocidad para obtener más versatilidad.

- ◆ Para seleccionar la velocidad baja y el ajuste de par alto (posición 1), apague la herramienta y espere a que se detenga. Deslice el botón de cambio de marcha (4) alejándolo del mandril.
- ◆ Para seleccionar la velocidad alta y el ajuste de par bajo (posición 2), apague la herramienta y espere a que se detenga. Vuelva a deslizar el botón de cambio de marcha hacia el mandril.

Nota: No cambie las velocidades cuando la herramienta esté funcionando. Si tiene algún problema al cambiar las velocidades, compruebe que la palanca de engranajes de doble serie esté completamente colocada hacia delante o hacia atrás.

mandril sin llaves - figura F

¡Advertencia! Asegúrese de haber sacado la baterías, para evitar que se active la herramienta antes de colocar o extraer los accesorios.

Para introducir una broca u otro accesorio:

- ◆ Aferre el portabrocas (5) y gírelo en sentido antihorario, visto desde el extremo del portabrocas.
- ◆ Introduzca la broca u otro accesorio completamente en el mandril y fíjelo bien girando el mandril en sentido horario visto desde el extremo del mandril.

¡Advertencia! No intente apretar o aflojar las brocas (ni cualquier otro accesorio) agarrando la parte frontal del mandril y encendiendo la herramienta. Al cambiar los accesorios se puede dañar el mandril y se pueden producir lesiones personales.

Atornillado

- ◆ Para atornillar fijaciones, el botón de avance/retroceso debe pulsarse hacia la izquierda.
- ◆ Use el botón de retroceso (pulsando hacia la derecha) para extraer las fijaciones.

Nota: Cuando cambie de avance a retroceso o viceversa, siempre suelte antes el interruptor de accionamiento.

Taladrado

- ◆ Utilice solo brocas afiladas.
- ◆ Apoye y fije correctamente la pieza de trabajo como se indica en las instrucciones de seguridad.
- ◆ Utilice el equipo de seguridad requerido y apropiado, como se indica en las instrucciones de seguridad.
- ◆ Cuide y mantenga el lugar de trabajo como se indica en las instrucciones de seguridad.
- ◆ Realice el taladrado muy lentamente, ejerciendo una ligera presión hasta que el agujero sea suficientemente grande como para que la broca no se salga.
- ◆ Ejercer presión en línea recta con la broca. Presione lo suficiente para que la broca continúe perforando, pero no demasiado para evitar que el motor se paralice o que la broca se desvíe.
- ◆ Sujete el taladro firmemente con las dos manos, con una mano en la empuñadura y la otra agarrando la parte inferior alrededor de la batería, o utilice la empuñadura auxiliar, si la hubiese.
- ◆ **NO PULSE REITERADAMENTE EL INTERRUPTOR DE ENCENDIDO Y APAGADO DE UN TALADRO PARADO CON LA INTENCIÓN DE ACCIONARLO. PODRÍAN PRODUCIRSE DAÑOS EN EL TALADRO.**
- ◆ Para reducir al mínimo las paradas o interrupciones, disminuya la presión y taladre lentamente la última parte del orificio.
- ◆ Mantenga el motor en funcionamiento mientras extrae la broca del orificio. De este modo, evitará que se produzcan atascos.
- ◆ Compruebe que el interruptor encienda y apague el taladro.

Perforar madera

Los orificios en la madera pueden realizarse con las mismas brocas helicoidales utilizadas para el metal o con brocas de pala. Las brocas deben estar afiladas y es necesario extraerlas frecuentemente cuando se realizan las perforaciones con el fin de eliminar las astillas de las ranuras del taladro.

Perforar metales

Utilice un lubricante de corte cuando perforo metales. Las excepciones son el latón y la fundición, que deberán perforarse en seco. Los lubricantes de corte que funcionan mejor son a base de aceite de corte sulfurizado.

Perforar mampostería

Para perforar mampostería, ajuste el collar (3) en la posición de martillo de perforación alineando el símbolo con la marca. Utilice brocas de mampostería con punta de carburo. Consultar la sección de taladrado. Presione firmemente el taladro, aunque no con demasiada fuerza, ya que los materiales quebradizos podrían agrietarse. Un flujo suave y uniforme de polvo indica la velocidad adecuada de taladrado.

Luz de trabajo LED

Cuando el taladro se activa tirando el interruptor de activación (1), la luz de trabajo de LED integrada (8) iluminará automáticamente el área de trabajo.

Nota: La luz de trabajo sirve para alumbrar la superficie de trabajo inmediata y no puede utilizarse como luz de alumbrado.

Portaherramienta

En la base de la herramienta hay una ranura portaherramienta (9).

Resolución de problemas

Problema	Posible causa	Posible solución
La unidad no arranca.	La batería no se ha instalado correctamente. La batería no está cargada.	Compruebe la instalación de la batería. Compruebe los requisitos de carga de la batería.
La unidad se enciende inmediatamente después de introducir la batería.	El interruptor se dejó en la posición "encendido".	El interruptor debe colocarse en "apagado" para evitar que la herramienta se encienda inmediatamente al insertar la batería.
La batería no se carga.	No se ha insertado la batería en el cargador. El cargador no está enchufado. La temperatura del aire circundante es demasiado caliente o demasiado fría.	Inserte la batería en el cargador hasta que se encienda el indicador LED del cargador. Enchufe el cargador en una toma de corriente que funcione. Desplace el cargador y la batería a un lugar con temperatura ambiente superior a 40 °F (4,5 °C) o inferior a 105 °F (+40,5 °C).
La unidad se apaga repentinamente.	La batería ha alcanzado su máximo límite térmico. Descargada. (Para maximizar la vida útil del paquete de baterías, este ha sido diseñado para interrumpirse repentinamente cuando se agota la carga)	Deje que la batería se enfríe. Coloque en el cargador y déjelo cargar.

Mantenimiento

La herramienta de Stanley Fat Max se ha diseñado para que funcione durante un largo período de tiempo con un mantenimiento mínimo. El funcionamiento satisfactorio y continuo depende del buen cuidado de la herramienta y de una limpieza frecuente.

El cargador no requiere otro mantenimiento que una limpieza periódica.

¡Advertencia! Antes de realizar alguna operación de mantenimiento en la herramienta, extraiga la batería. Desenchufe el cargador antes de limpiarlo.

- ◆ Limpie periódicamente las ranuras de ventilación de la herramienta y el cargador con un cepillo suave o un paño seco.
- ◆ Limpie periódicamente la carcasa del motor con un paño húmedo. No utilice productos de limpieza abrasivos o a base de disolventes.
- ◆ Abra periódicamente el portaherramientas y golpéelo suavemente para eliminar los restos de polvo que pudiese contener en su interior.

Protección del medioambiente



Recogida selectiva. Los productos y las baterías marcadas con este símbolo no deben eliminarse junto con los residuos domésticos normales.

Los productos y las baterías que contienen materiales que se puedan recuperar o reciclar reducen la demanda de materias primas.

Recicle los productos eléctricos y las baterías de conformidad con las normas locales. Puede obtener más información en www.2helpU.com.

Datos técnicos

		FMC626
Voltaje	V_{CC}	18 V
Velocidad en vacío	Min. ⁻¹	0-350/0-1500
Par de torsión máximo	Nm	47
Capacidad del portaherramientas	mm	13
Capacidad máxima de perforación		
Acero/madera/mampostería	mm	13/35/13
Peso	kg	1,2

		905998**	906086**
Tensión de entrada	V_{CA}	230	230
Voltaje de salida	V_{CC}	18	18
Corriente	mA	1000	2000
Tiempo de carga aproximado	min	80-240	40-120

Batería	FMC685L	FMC687L	FMC684L	
Voltaje	V_{CA}	18	18	18

Batería	FMC685L	FMC687L	FMC684L	
Capacidad	Ah	1,5	2,0	1,3
Tipo		iones de litio	iones de litio	iones de litio

Nivel de presión acústica de acuerdo con la directiva EN 62841:	
Presión acústica (L_{pA})	87,0 dB(A), incertidumbre (K) 5 dB(A)
Potencia acústica (L_{WA})	98,0 dB(A), incertidumbre (K) 5 dB(A)

Valores totales de vibración (suma vectorial triaxial) de acuerdo con la directiva EN 60745:	
Perforación de metales ($a_{h,D}$)	2,5 m/s ² , incertidumbre (K) 1,5 m/s ²
Perforación de impacto en hormigón ($a_{h,D}$)	14,9 m/s ² , incertidumbre (K) 1,5 m/s ²

Declaración de conformidad CE

DIRECTIVA SOBRE MAQUINARIA



FMC626 - Taladro percutor sin cables

Stanley Fat Max declara que los productos descritos en

"Datos técnicos" cumplen las siguientes normas:
2006/42/EC, EN62841-1:2015, EN62841-2-1:2018+A11:2019.

Estos productos también son conformes a las directivas
2014/30/UE y 2011/65/UE.

Si desea obtener más información, póngase en contacto con Stanley Fat Max a través de la siguiente dirección o consulte el dorso del manual.

El abajo firmante es el responsable de la elaboración de la documentación técnica y expide la presente declaración en nombre y representación de Stanley Fat Max.

Patrick Diepenbach

Patrick Diepenbach
Director general, Benelux
Stanley Fat Max,
Egide Walschaertsstraat 14-18
2800 Mechelen, Bélgica
30/09/2021

Garantía

Stanley Fat Max confía en la calidad de sus productos y ofrece a los consumidores una garantía de 12 meses a partir de la fecha de compra. Esta garantía es adicional a sus derechos legales y no los menoscaba en modo alguno. La garantía es válida dentro de los territorios de los Estados Miembros de la Unión Europea y del Área de Libre Comercio Europea.

Para reclamar la garantía, deberá formular la reclamación de conformidad con las condiciones de Black & Decker, presentando el comprobante de compra al vendedor o al agente técnico autorizado. Puede obtener las condiciones de la garantía de 1 año de Black & Decker y la ubicación de su agente técnico autorizado más próximo en el sitio www.2helpU.com o poniéndose en contacto con su oficina local de Black & Decker en la dirección que se indica en este manual.

Visite nuestro sitio web www.stanley.eu/3 para registrar su nuevo producto Fat Max y recibir noticias sobre nuevos productos y ofertas especiales.

Utilização pretendida

O seu berbequim/aparafusadora Stanley Fat Max FMC626 foi concebido para aparafusar e para perfurar madeira, metal, plásticos e pedra macia. Este equipamento destina-se a utilização profissional bem como a utilizadores privados não profissionais.

Instruções de segurança

Avisos de segurança gerais relativos a ferramentas eléctricas



Atenção! Leia todos os avisos de segurança, instruções, ilustrações e especificações fornecidos com esta ferramenta eléctrica. O não cumprimento dos seguintes avisos e instruções pode resultar em choque eléctrico, incêndio e/ou ferimentos graves.

Guarde todos os avisos e instruções para futura referência. Em todos os avisos que se seguem abaixo, o termo "ferramenta eléctrica" refere-se à sua ferramenta alimentada pela rede eléctrica (com fios) ou por uma bateria (sem fios).

1. Segurança na área de trabalho

- a. **Mantenha a área de trabalho limpa e bem iluminada.** As áreas desorganizadas ou escuras são propensas a acidentes.
- b. **Não trabalhe com ferramentas eléctricas em áreas com risco de explosão, nas quais se encontrem líquidos, gases ou poeiras inflamáveis.** As ferramentas eléctricas criam faíscas que poderão inflamar estas poeiras ou vapores.
- c. **Mantenha crianças e outras pessoas afastadas durante a utilização da ferramenta eléctrica.** As distrações podem causar a perda do controlo da ferramenta.

2. Segurança eléctrica

- a. **As fichas da ferramenta eléctrica devem caber na tomada. Nunca modifique a ficha de forma alguma. Não utilize fichas adaptadoras com ferramentas eléctricas ligadas à terra.** As fichas não modificadas e as tomadas compatíveis reduzem o risco de choque eléctrico.
- b. **Evite que o corpo entre em contacto com superfícies ligadas à terra, como tubos, radiadores, fogões e frigoríficos.** Se o seu corpo estiver "ligado" à terra, o risco de choque eléctrico é maior.
- c. **As ferramentas eléctricas não podem ser expostas a chuva nem humidade.** A entrada de água numa ferramenta eléctrica aumenta o risco de choque eléctrico.

- d. **Manuseie o cabo com cuidado. Nunca o utilize para transportar, puxar ou desligar a ferramenta eléctrica. Mantenha o cabo afastado de fontes de calor, substâncias oleosas, arestas aguçadas ou peças móveis.** Os cabos danificados ou emaranhados aumentam o risco de choque eléctrico.
- e. **Quando trabalhar com uma ferramenta eléctrica ao ar livre, utilize um cabo de extensão apropriado para esse fim.** A utilização de um cabo adequado para uso ao ar livre reduz o risco de choque eléctrico.
- f. **Se for inevitável trabalhar com uma ferramenta eléctrica num local húmido, utilize um dispositivo de corrente residual (DCR).** A utilização de um DCR reduz o risco de choque eléctrico.

3. Segurança pessoal

- a. **Mantenha-se alerta, tenha atenção ao que está a fazer e seja cuidadoso quando trabalhar com a ferramenta eléctrica. Não utilize uma ferramenta eléctrica quando estiver cansado ou sob o efeito de drogas, álcool ou medicamentos.** Um momento de distração durante a utilização de ferramentas eléctricas poderá resultar em ferimentos graves.
- b. **Use equipamento de protecção individual. Use sempre protecção ocular.** O equipamento de protecção, como, por exemplo, uma máscara contra o pó, sapatos de segurança antiderrapantes, um capacete de segurança ou uma protecção auditiva, usado nas condições apropriadas, reduz o risco de ferimentos.
- c. **Evite arranques involuntários. Verifique se o gatilho da ferramenta está na posição de desligado antes de ligá-la à fonte de alimentação e/ou à bateria, segurar ou transportar a ferramenta.** Se mantiver o dedo no gatilho quando transportar ferramentas eléctricas ou se ligá-las à fonte de alimentação com o gatilho ligado, poderá originar acidentes.
- d. **Retire eventuais chaves de ajuste ou chaves de fendas antes de ligar a ferramenta eléctrica.** Uma chave de porcas ou chave de ajuste deixada numa peça móvel da ferramenta poderá resultar em ferimentos.
- e. **Não tente chegar a pontos fora do alcance. Mantenha-se sempre bem posicionado e equilibrado.** Desta forma, será mais fácil controlar a ferramenta eléctrica em situações inesperadas.
- f. **Use vestuário adequado. Não use roupa larga ou jóias. Mantenha o cabelo, a roupa e as luvas afastados das peças móveis.** As roupas largas, as jóias ou o cabelo comprido podem ficar presos nestas peças.
- g. **Se for prevista a montagem de dispositivos de extracção e recolha de pó, assegure-se de que estão ligados e que são utilizados de forma correcta.** A utilização de dispositivos de extracção de partículas pode reduzir os riscos relacionados com as mesmas.

- h. Não permita que a experiência obtida pela utilização frequente das ferramentas lhe permita ter uma atitude complacente e ignorar os princípios de segurança da ferramenta.** Uma acção descuidada pode causar ferimentos graves numa fracção de segundo.
- 4. Utilização e cuidados a ter com a ferramenta**
- a. Não sobrecarregue a ferramenta eléctrica. Utilize a ferramenta eléctrica correcta para o seu trabalho.** A ferramenta eléctrica adequada irá efectuar o trabalho de um modo mais eficiente e seguro se for utilizada de acordo com a capacidade para a qual foi concebida.
- b. Não utilize a ferramenta eléctrica se o gatilho não puder ser ligado nem desligado.** Qualquer ferramenta eléctrica que não possa ser controlada através do gatilho é perigosa e tem de ser reparada.
- c. Desligue a ficha da tomada e/ou a bateria da ferramenta eléctrica antes de proceder a ajustes, trocar acessórios ou guardar ferramentas eléctricas.** Estas medidas de segurança preventivas reduzem o risco de ligar a ferramenta eléctrica acidentalmente.
- d. Mantenha as ferramentas eléctricas que não estiverem a ser utilizadas fora do alcance das crianças. Não permita que a ferramenta eléctrica seja utilizada por pessoas não familiarizadas com a mesma ou que não tenham lido estas instruções.** As ferramentas eléctricas são perigosas nas mãos de pessoas que não possuam as qualificações necessárias para as manusear.
- e. Proceda à manutenção das ferramentas eléctricas. Verifique se as peças móveis da ferramenta eléctrica estão alinhadas e não emperram, se existem peças partidas ou danificadas ou quaisquer outras condições que possam afectar o funcionamento da mesma. Se a ferramenta eléctrica estiver danificada, só deve ser utilizada depois de ser reparada.** Muitos acidentes têm como principal causa ferramentas eléctricas com uma manutenção insuficiente.
- f. Mantenha as ferramentas de corte afiadas e limpas.** As ferramentas de corte sujeitas a uma manutenção adequada, com arestas de corte afiadas, emperram com menos frequência e controlam-se com maior facilidade.
- g. Utilize a ferramenta eléctrica, acessórios e peças de ferramenta de acordo com estas instruções, considerando as condições de trabalho e a tarefa a ser executada.** A utilização da ferramenta eléctrica para fins diferentes dos previstos poderá resultar em situações perigosas.
- h. Mantenha os punhos e superfícies de fixação secas, limpas e sem óleo e gordura.** Punhos e superfícies de fixação escorregadios não permitem o manuseamento e o controlo seguros em situações inesperadas.
- 5. Utilização e cuidados a ter com a ferramenta com baterias**
- a. Carregue apenas com o carregador especificado pelo fabricante.** Um carregador adequado para um tipo de bateria pode causar um incêndio se for utilizado com outra bateria.
- b. Utilize ferramentas eléctricas apenas com baterias específicas.** A utilização de outras baterias pode dar origem a risco de danos e incêndio.
- c. Quando não utilizar a bateria, mantenha-a afastada de outros objectos metálicos, tais como cliques para papel, moedas, chaves, pregos, parafusos ou outros pequenos objectos metálicos que permitam fazer a ligação de um terminal para outro.** O curto-circuito de terminais de bateria pode causar queimaduras ou incêndio.
- d. Em condições abusivas, pode derramar líquido da bateria, devendo evitar o contacto. Se tocar acidentalmente no líquido, lave bem com água. Se o líquido entrar em contacto com os olhos, consulte um médico.** O líquido derramado da bateria pode causar irritação ou queimaduras.
- e. Não utilize uma bateria ou ferramenta que esteja danificada ou modificada.** As baterias danificadas ou modificadas podem dar origem a um comportamento imprevisível e resultar em incêndio, explosão ou ferimentos.
- f. Não exponha a bateria ou a ferramenta a fogo ou temperatura excessiva.** A exposição a fogo ou temperatura superior a 130 °C pode causar uma explosão.
- g. Siga todas as instruções de carregamento. Não carregue a bateria ou a ferramenta fora da gama de temperaturas especificada nas instruções.** O carregamento indevido ou a temperaturas fora da gama especificada podem causar danos na bateria e aumentar o risco de incêndio.
- 6. Assistência**
- a. A sua ferramenta eléctrica só deve ser reparada por pessoal qualificado e só devem ser colocadas peças sobressalentes originais.** Desta forma, é garantida a segurança da ferramenta eléctrica.
- b. Nunca repare BATERIAS danificadas.** A assistência das baterias deve ser efectuada apenas pelo fabricante ou por fornecedores de serviços autorizados.
- Avisos de segurança adicionais relativos a ferramentas eléctricas**



Atenção! Avisos de segurança adicionais para aparafusadoras.

- ◆ Segure a ferramenta eléctrica apenas pelas superfícies isoladas específicas para o efeito ao efectuar uma operação em que o acessório de corte possa entrar em contacto com cabos ocultos. O acessório de corte que entrem em contacto com um fio com tensão eléctrica poderão fazer com que as peças de metal expostas da ferramenta conduzam electricidade e electrocutem o utilizador.
- ◆ **Utilize protecção auditiva com berbequins de percussão.** A exposição ao ruído pode causar perda auditiva.
- ◆ **Utilize os punhos auxiliares fornecidos com a ferramenta.** A perda de controlo pode causar ferimentos.
- ◆ **Segure a ferramenta correctamente antes de utilizá-la.** Esta ferramenta produz um binário de saída elevado. Se não segurar a ferramenta correctamente durante a operação, pode ocorrer perda de controlo e ferimentos.

Instruções de segurança para utilização de brocas compridas

- ◆ **Nunca utilize a uma velocidade superior à da categoria de velocidade máxima da broca.** A velocidades mais elevadas, a broca tem tendência para ficar dobrada se rodar livremente sem entrar em contacto com a peça de trabalho, resultando em ferimentos.
- ◆ **Comece sempre a perfurar a uma velocidade reduzida e com a ponta da broca em contacto com a peça de trabalho.** A velocidades mais elevadas, a broca tem tendência a ficar dobrada se rodar livremente sem entrar em contacto com a peça de trabalho e a causar ferimentos.
- ◆ **Só deve aplicar pressão directamente na broca e não deve aplicar pressão excessiva.** As brocas podem ficar dobradas e ficar partidas ou causar perda de controlo, resultando em ferimentos.
- ◆ **Utilize grampos ou outra maneira prática de fixar e apoiar a peça de trabalho numa plataforma estável. Se segurar a peça à mão ou contra o seu corpo, pode perder estabilidade e isso pode dar origem a perda de controlo.**
- ◆ **Antes de inserir pregos em paredes, pisos ou tectos, verifique onde estão os fios e os tubos.**
- ◆ **A utilização adequada é descrita neste manual de instruções.**
- ◆ **A utilização de qualquer acessório ou o desempenho de qualquer operação com esta ferramenta que não seja recomendada neste manual de instruções pode implicar um risco em termos de ferimentos e/ou danos materiais.**

Segurança de outras pessoas

- ◆ Esta ferramenta não deve ser utilizada por pessoas (incluindo crianças) que apresentem capacidades físicas,

sensoriais ou mentais reduzidas ou que não possuam os conhecimentos e a experiência necessários, excepto se forem vigiadas e instruídas acerca da utilização da ferramenta por uma pessoa responsável pela sua segurança.

- ◆ As crianças devem ser vigiadas para que não mexam no equipamento.

Riscos residuais

Quando utilizar a ferramenta, podem ocorrer riscos residuais adicionais que não constam nos avisos de segurança incluídos. Estes riscos podem resultar de má utilização, uso prolongado, etc.

Mesmo após o cumprimento dos regulamentos de segurança relevantes e a implementação de dispositivos de segurança, alguns riscos residuais não podem ser evitados.

Estes incluem:

- ◆ Ferimentos causados pelo contacto com peças em rotação/movimento.
- ◆ Ferimentos causados durante a troca de peças, lâminas ou acessórios.
- ◆ Ferimentos causados pela utilização prolongada de uma ferramenta. Quando utilizar uma ferramenta durante períodos prolongados, certifique-se de que faz pausas regularmente.
- ◆ Danos auditivos.
- ◆ Os problemas de saúde causados pela inalação de poeiras resultantes da utilização da ferramenta (exemplo: trabalhos em madeira, especialmente carvalho, faia e MDF).

Vibração

Os valores de emissão de vibração declarados na secção de dados técnicos e na declaração de conformidade foram medidos de acordo com o método de teste padrão fornecido pela norma EN 62841 e podem ser utilizados para comparar ferramentas. O valor de emissão de vibração pode ser também utilizado numa avaliação precoce à exposição.

Atenção! O valor de emissão de vibração durante a utilização da ferramenta eléctrica pode ser diferente do valor declarado, dependendo da maneira como a ferramenta é utilizada. O nível de vibração pode aumentar para um valor superior ao indicado.

Quando avaliar a exposição a vibração para determinar as medidas de segurança exigidas pela norma 2002/44/CE para proteger as pessoas que utilizam ferramentas eléctricas com frequência, deve ser efectuada uma estimativa da exposição a vibração, as condições de utilização e a maneira como a ferramenta é utilizada, incluindo a consideração todas as fases do ciclo de funcionamento, por exemplo, o número de vezes que a ferramenta é desligada e quando funciona ao ralento, além do tempo de accionamento.

Etiquetas colocadas na ferramenta

A ferramenta apresenta os seguintes símbolos de aviso em conjunto com o código de data:



Atenção! Para reduzir o risco de ferimentos, o utilizador deve ler o manual de instruções.



Utilize proteção auditiva com berbequins de percussão. A exposição ao ruído pode causar perda auditiva



Não olhe fixamente para a luz de funcionamento

Instruções de segurança adicionais para baterias e carregadores (não fornecidos com a ferramenta)

Baterias

- ◆ Nunca tente abrir a bateria, seja qual for o motivo.
- ◆ Não exponha a bateria à água.
- ◆ Não armazene em locais onde a temperatura possa exceder os 40 °C.
- ◆ Carregue apenas a temperaturas ambiente entre 10 °C e 40 °C.
- ◆ Carregue apenas com o carregador fornecido com a ferramenta.
- ◆ Quando eliminar as baterias, siga as instruções indicadas na secção "Protecção do ambiente".



Não tente carregar baterias danificadas.

Carregadores

- ◆ Utilize o carregador da Stanley Fat Max apenas para carregar a bateria da respectiva ferramenta. Outras baterias podem rebentar, provocando ferimentos e danos.
- ◆ Nunca tente carregar baterias não recarregáveis.
- ◆ Substitua de imediato os cabos defeituosos.
- ◆ Não exponha o carregador à água.
- ◆ Não abra o carregador.
- ◆ Não manipule o interior do carregador.



O carregador deve ser utilizado apenas em espaços interiores.



Leia o manual de instruções antes da utilização.

Segurança eléctrica



O carregador tem um isolamento duplo, pelo que não é necessário um fio de terra. Verifique sempre se a tensão de alimentação corresponde à tensão indicada na placa sinalética. Nunca substitua a unidade do carregador por uma tomada de alimentação normal.

- ◆ Se o cabo de alimentação estiver danificado, deve ser substituído pelo fabricante ou por um centro de assistência autorizado da Stanley Fat Max para evitar riscos.

Características

Este equipamento inclui algumas ou todas as seguintes funções.

1. Gatilho
2. Botão de avanço/recuo
3. Botão de ajuste de binário
4. Alavanca de velocidades de dupla amplitude
5. Mandril sem chave
6. Bateria
7. Botão de desbloqueio da bateria
8. Luz de trabalho LED
9. Suporte das brocas

Utilização

Atenção! Deixe a ferramenta funcionar ao seu próprio ritmo. Não a sobrecarregue.

Carregar a bateria

A bateria tem de ser carregada antes da primeira utilização e sempre que não conseguir produzir energia suficiente em trabalhos habitualmente feitos sem dificuldade. A bateria pode aquecer quando carregar; isto é normal e não indica um problema.

Atenção! Não carregue a bateria a temperaturas ambiente inferiores a 10 °C ou superiores a 40 °C. Temperatura de carregamento recomendada: aproximadamente 24 °C. Nota: O carregador não irá carregar a bateria se a temperatura das células for inferior a 10 °C ou superior a 40 °C.

A bateria não deve ser retirada do carregador para que este comece a carregar automaticamente quando a temperatura das células aquecer ou arrefecer.

- ◆ Ligue o carregador numa tomada adequada antes de inserir a bateria.
- ◆ Insira a bateria no carregador.



O LED verde ficará a piscar, indicando que a bateria está a ser carregada.



A conclusão do processo de carregamento é LED verde, que permanece ligado de maneira contínua. A bateria fica totalmente carregada e pode ser utilizada nesta altura ou pode deixá-la no carregador.

Atenção! Após a utilização, recarregue as baterias descarregadas assim que possível, caso contrário a duração da bateria pode diminuir consideravelmente.

Diagnóstico do carregador

Este carregador foi concebido para detectar determinados problemas que possam surgir com baterias ou a fonte de alimentação. Os problemas são indicados pela iluminação de um LED intermitente com diferentes padrões.

Problemas na bateria



O carregador permite detectar uma bateria fraca ou danificada. O LED vermelho pisca com o padrão indicado na etiqueta. Se aparecer este padrão intermitente de problemas na bateria, interrompa o carregamento da bateria. Entregue-a a um centro de assistência ou num local de recolha para reciclagem.

Retardação de calor/frio



Quando o carregador detecta que uma bateria está demasiado quente ou fria, inicia automaticamente a retardação de calor/frio, interrompendo o processo de carga até a bateria normalizar. Em seguida, o carregador muda automaticamente para o modo Carregar a bateria. Esta função assegura a duração máxima da bateria. O LED vermelho pisca no padrão indicado na etiqueta quando a retardação de calor/frio é detectada.

Problema na linha de alimentação



Quando o carregador é utilizado com algumas fontes de alimentação, como geradores ou fontes que convertem CC em CA, o carregador pode suspender temporariamente a operação. Este LED pisca com o padrão indicado na etiqueta. Isto indica que a fonte de alimentação está fora dos limites.

Deixar a bateria no carregador

O carregador e a bateria podem permanecer ligados com o LED aceso indefinidamente. O carregador vai manter a bateria completamente carregada.

Notas importantes sobre carregamento

- ◆ É possível aumentar a duração e o desempenho da bateria se carregá-la quando a temperatura ambiente se situar entre 18 °–24 °C. NÃO carregue a bateria se a temperatura ambiente for inferior a +4,5 °C ou superior a +40,5 °C. Isto é importante e impede danos graves na bateria.
- ◆ O carregador e a bateria podem ficar demasiado quentes durante o carregamento. Isto é normal e não representa um problema. Para facilitar o arrefecimento da bateria, evite colocar o carregador ou a bateria num local quente, como num barracão metálico ou num reboque não isolado.
- ◆ Se a bateria não carregar correctamente:
 - ◆ Verifique a corrente no receptáculo, ligando uma lâmpada ou outro aparelho.
 - ◆ Verifique se a tomada está ligada a um interruptor de luz que se desliga quando desliga as luzes.
 - ◆ Coloque o carregador e a bateria num local onde a temperatura do ar ambiente varie entre 18 °–24 °C. Se os problemas de carregamento persistirem, leve a ferramenta, a bateria e o carregador para um centro de assistência local da Stanley Fat Max.
- ◆ A bateria deve ser recarregada se não fornecer energia suficiente em trabalhos que tenham sido efectuados sem problemas anteriormente.
- ◆ NÃO CONTINUE a utilizar a bateria nestas condições. Siga o procedimento de carga.
- ◆ Pode também carregar uma bateria parcialmente utilizada sempre que quiser, porque não afecta a bateria.

Inserir e retirar a bateria da ferramenta

Atenção! Certifique-se de que o botão de bloqueio está na posição correcta para impedir a activação acidental do interruptor de funcionamento, antes de retirar ou instalar a bateria.

Instalar a bateria

- ◆ Insira a bateria com firmeza na ferramenta até ouvir um clique, como indicado na Figura A. Certifique-se de que a bateria está totalmente inserida e fixada na respectiva posição.

Retirar a bateria

- ◆ Carregue na patilha de libertação da bateria (7), como indicado na Figura B e retire a bateria da ferramenta.

Botão de gatilho e botão de avanço/recuo - Figura C

- ◆ O berbequim é ligado e desligado puxando e libertando o gatilho (1) indicado na Figura C. Quanto maior for a pressão do gatilho, maior será a velocidade do berbequim.
- ◆ O botão de controlo para a frente/para trás (2) determina a direcção de rotação da ferramenta e funciona também como botão de desbloqueio.
- ◆ Para seleccionar a rotação de avanço, liberte o gatilho e empurre o botão de controlo de avanço/recuo no lado direito da ferramenta.
- ◆ Para seleccionar a marcha inversa, liberte o botão de controlo de avanço/recuo no lado esquerdo da ferramenta.
- ◆ A posição central do botão de controlo bloqueia a ferramenta na posição Desligar. Se alterar a posição do botão de controlo, certifique-se de que liberta o interruptor.

Ajustar o controlo do binário - Figura D

Esta ferramenta é fornecida com um botão de ajuste de binário (3) para seleccionar o modo de funcionamento e definir o binário para apertar parafusos. Parafusos grandes e materiais duros requerem uma regulação de binário mais alta do que parafusos pequenos e materiais mais macios.

- ◆ Para perfurar madeira, metal e plásticos, coloque o botão na posição com o símbolo de perfuração.
- ◆ Para apertar parafusos, coloque o botão na posição desejada. Se ainda não souber qual a posição apropriada, proceda da seguinte forma:
 - ◆ Coloque o botão na posição de binário mínimo.
 - ◆ Aperte o primeiro parafuso.
 - ◆ Se o mecanismo forçar antes de atingir o resultado desejado, aumente a posição do botão e continue a apertar o parafuso.
 - ◆ Repita até atingir a posição correcta.
 - ◆ Utilize esta posição para os restantes parafusos.

Interruptor de dupla amplitude - Figura E

A função de duas velocidades do seu berbequim permite mudar de velocidade para uma maior versatilidade.

- ◆ Para seleccionar a velocidade baixa, definição de binário elevado (posição 1), desligue a ferramenta e aguarde até esta parar. Faça deslizar o botão de mudança de velocidade (4) no sentido oposto ao do mandril.

- ◆ Para seleccionar a velocidade alta, definição de binário baixo (posição 2), desligue a ferramenta e permita que a mesma pare. Faça deslizar o botão de mudança de velocidade para o mandril.

Nota: Não altere a velocidade quando a ferramenta estiver em funcionamento. Se tiver dificuldade em mudar de velocidade, certifique-se de que o botão de mudança de velocidade dupla está totalmente empurrado para a frente ou para trás.

Mandril sem chave - Figura F

Atenção! Antes de retirar ou instalar acessórios, certifique-se de que retirou a ferramenta para impedir a activação acidental do interruptor de funcionamento.

Inserir uma broca ou outro acessório:

- ◆ Segure no mandril (5) e rode-o na direcção contrária aos ponteiros do relógio, visto a partir da extremidade do mandril.
- ◆ Insira a broca ou outro acessório por completo no mandril e aperte com firmeza, rodando o mandril na direcção dos ponteiros do relógio, da perspectiva da extremidade do mandril.

Atenção! Não tente apertar ou soltar as brocas (ou qualquer outro acessório) segurando na parte frontal do mandril e ligando a ferramenta. Pode danificar o mandril ou provocar ferimentos ao trocar acessórios.

Aparafusar

- ◆ Para apertar parafusos, o botão para a frente/para trás deve estar posicionado para o lado esquerdo.
- ◆ Utilize o botão para trás (botão pressionado para a direita) para retirar os parafusos.

Nota: Quando alternar entre o modo de avanço ou recuo, liberte sempre primeiro o gatilho.

Perfuração

- ◆ Utilize apenas pontas de brocas afiadas.
- ◆ Apoie e fixe a peça correctamente, de acordo com as instruções de segurança.
- ◆ Utilize equipamento de segurança adequado e necessário, de acordo com as instruções de segurança.
- ◆ Apoie e fixe a área de trabalho, de acordo com as instruções de segurança.
- ◆ Coloque o berbequim a funcionar lentamente, até o furo ser iniciado o suficiente para impedir que a broca deslize.
- ◆ Aplique pressão em linha recta com a broca. Aplique pressão suficiente para manter a broca a perfurar e para não encravar o motor ou desviar a broca.
- ◆ Segure no berbequim com firmeza com ambas as mãos, uma no punho e a outra na parte inferior à volta da bateria ou do punho auxiliar, caso tenha sido fornecido.
- ◆ **NÃO CARREGUE NO GATILHO DE UM BERBEQUIM BLOQUEADO PARA TENTAR O ARRANQUE. DAI PODEM RESULTAR DANOS NO BERBEQUIM.**

- ◆ Minimize o encravamento na abertura do orifício, reduzindo a pressão e perfurando devagar na última parte do orifício.
- ◆ Mantenha o motor em funcionamento enquanto puxa a broca para fora de um orifício efectuado. Isto ajudará a reduzir o encravamento.
- ◆ Certifique-se de que o interruptor liga e desliga o berbequim.

Perfurar madeira

Os orifícios na madeira podem ser efectuados com as mesmas brocas utilizadas para perfurar metal ou com brocas espada. Estas brocas deverão estar afiadas e devem ser retiradas do orifício frequentemente, quando em utilização para limpar lascas das ranhuras.

Perfurar em metal

Utilize um lubrificante de corte para perfuração de metais. As excepções incluem ferro fundido e latão, que devem ser perfurados a seco. Os lubrificantes de corte que obtêm melhores resultados são o óleo de corte sulfurado.

Perfurar em pedra

Para perfurar em pedra, coloque o botão (3) na posição de perfuração com o martelo, alinhando o símbolo com a marca. Utilize brocas para pedra com ponta em carbono. Consulte a secção Perfuração. Exerça uma força homogénea no berbequim, mas não demasiada para não rachar o material frágil. Um fluxo de serradura fina e regular indica uma taxa de perfuração adequada.

Luz de trabalho LED

Quando pressione o gatilho (1) para activar o berbequim, a luz de trabalho LED (8) integrada ilumina automaticamente a área de trabalho.

Nota: A luz de funcionamento permite iluminar a superfície de trabalho imediata e não se destina a ser utilizada como lanterna.

Suporte das brocas

A base da ferramenta tem uma ranhura de armazenamento de brocas (9) inserida.

Resolução de problemas

Problema	Causa possível	Possível solução
A unidade não é iniciada.	A bateria não pode ser montada correctamente. A bateria não pode ser carregada.	Verifique a instalação da bateria. Verifique os requisitos para carregar a bateria

Problema	Causa possível	Possível solução
A unidade é iniciada de imediato depois de inserir a bateria	O interruptor foi deixado na posição "ligado".	O interruptor deve ser colocado na posição "desligado" para impedir que a ferramenta seja iniciada de imediato quando a bateria for inserida.
A bateria não irá ser carregada.	A bateria não foi introduzida no carregador. Carregador não ligado. A temperatura de ar circundante é demasiado quente ou fria.	Introduza a bateria no carregador até que o LED se acenda. Ligue o carregador à tomada. O carregador e a bateria devem estar a uma temperatura de ar circundante superior a 4,5 °C ou inferior a +40,5 °C)
A unidade desligou-se de maneira abrupta.	A bateria atingiu o limite térmico máximo. Sem carga. (Para maximizar a duração da bateria, esta foi concebida para desligar-se de maneira abrupta quando a carga ficar esgotada	Aguarde até a bateria arrefecer. Instale o carregador e aguarde até o equipamento estar carregado.

Manutenção

A sua ferramenta Stanley Fat Max foi concebida para funcionar por um longo período de tempo com uma manutenção mínima. Uma utilização continuamente satisfatória depende de uma manutenção adequada da ferramenta e de uma limpeza frequente.

O carregador não requer manutenção, além do processo de limpeza normal.

Atenção! Antes de ser realizada qualquer operação de manutenção na ferramenta, remova a bateria da ferramenta. Desligue o carregador antes de o limpar.

- ◆ Limpe com frequência as aberturas de ventilação da ferramenta e do carregador com uma escova suave ou um pano seco.
- ◆ Limpe com frequência o compartimento do motor com um pano húmido. Não utilize produtos de limpeza abrasivos ou à base de solventes.
- ◆ Abra o mandril regularmente e sacuda para remover qualquer vestígio de pó do seu interior.

Proteger o meio ambiente



Faça uma recolha de lixo selectiva. Os produtos e as baterias assinalados com este símbolo não devem ser eliminados em conjunto com os resíduos domésticos normais.

Os produtos e as baterias contêm materiais que podem ser recuperados ou reciclados, reduzindo assim a necessidade de matérias-primas.

Recicle os produtos eléctricos e as baterias de acordo com as disposições locais. Estão disponíveis mais informações em www.2helpU.com.

Dados técnicos

		FMC626
Tensão	V_{CC}	18 V
Velocidade sem carga	Min.^{-1}	0-350/0-1500
Binário máx.	Nm	47
Capacidade do mandril	mm	13
Capacidade máx. de perfuração		
Aço/madeira/pedra	mm	13/35/13
Peso	kg	1,2

		905998**	906086**
Tensão de entrada	V_{CA}	230	230
Tensão de saída	V_{CC}	18	18
Corrente	mA	1000	2000
Tempo de carga aprox.	Minutos	80 - 240	40 - 120

		FMC685L	FMC687L	FMC684L
Tensão	V_{CA}	18	18	18
Capacidade	Ah	1,5	2,0	1,3
Tipo		lões de lítio	lões de lítio	lões de lítio

Nível de pressão sonora de acordo com a EN 62841:

Pressão sonora (L_{pA}): 87,0 dB(A), variabilidade (K): 5 dB(A)

Potência sonora (L_{WA}): 98,0 dB(A), variabilidade (K): 5 dB(A)

Valores totais de vibração (valores totais de vibração) de acordo com EN 60745:

Perfurar metal ($a_{h,D}$): $<2,5 \text{ m/s}^2$, variabilidade (K): $1,5 \text{ m/s}^2$

Perfuração com impacto em betão ($a_{h,D}$): $14,9 \text{ m/s}^2$, variabilidade (K): $1,5 \text{ m/s}^2$

Declaração de conformidade da CE

DIRECTIVA "MÁQUINAS"



FMC626 - Berbequim de percussão sem fio

A Stanley Fat Max declara que os produtos descritos em "dados técnicos" estão em conformidade com as seguintes

normas:

2006/42/CE, EN62841-1:2015, EN62841-2-1:2018+A11:2019.

Estes produtos também estão em conformidade com as directivas 2014/30/UE e 2011/65/UE.

Para obter mais informações, contacte a Stanley Fat Max na morada indicada a seguir ou consulte o verso do manual.

O abaixo assinado é responsável pela compilação do ficheiro técnico, fazendo esta declaração em nome da Stanley Fat Max.

Patrick Diepenbach

Patrick Diepenbach
Director-geral, Benelux
Stanley Fat Max,
Egide Walschaertsstraat 14-18
2800 Mechelen, Bélgica
30/09/2021

Garantia

A Stanley Fat Max confia na qualidade dos seus produtos e oferece aos clientes uma garantia de 12 meses a partir da data de compra. Esta garantia é um complemento dos seus direitos estabelecidos por lei e não os afecta de forma alguma. A garantia é válida nos Estados-membros da União Europeia e nos países-membros da Zona Europeia de Comércio Livre.

Para accionar a garantia, esta deve estar em conformidade com os termos e condições da Stanley Fat Max e terá de apresentar comprovativos de compra ao vendedor ou a um agente de reparação autorizado. Os termos e condições da garantia de 1 ano da Stanley Fat Max e a localização do seu agente de reparação podem ser obtidos na Internet no Website www.2helpU.com ou contactando o escritório local da Stanley Fat Max na morada indicada neste manual.

Visite o nosso Website www.stanley.eu/3 para registar o novo produto Stanley Fat Max e manter-se actualizado relativamente a novos produtos e ofertas especiais

Avsedd användning

Denna Stanley Fat Max FMC626 borrar/skruvdragare är avsedd för skruvdragning och borrar i trä, metall, plast och mjukt murverk. Apparaten är avsedd för såväl yrkesanvändare som privatkonsumenter.

Säkerhetsinstruktioner

Allmänna säkerhetsvarningar för elverktyg



Varning! Läs alla säkerhetsanvisningar, instruktioner, illustrationer och specifikationer som levereras med detta elverktyg.

Underlåtenhet att följa de nedanstående varningarna och instruktionerna kan resultera i elektrisk stöt, eldsvåda och/eller allvarlig personskada.

Spara alla varningar och instruktioner för framtida referens. Termen "elverktyg" i varningarna syftar på ditt starkströmsdrivna (sladdanslutna) elverktyg eller batteridrivna (sladdlösa) elverktyg.

1. Säkerhet vid arbetsområdet

- Se till att arbetsområdet är rent och väl belyst.** Belamrade eller mörka områden inbjuder till olyckor.
- Använd inte elverktyget i explosionsfarlig omgivning, t.ex. i närheten av brännbara vätskor, gaser eller damm.** Elektriska verktyg ge upphov till gnistor som kan antända dammet eller ångorna.
- Håll barn och andra obehöriga personer på avstånd vid arbete med elverktyget.** Distractioner kan göra att du förlorar kontrollen.

2. Elektrisk säkerhet

- Elverktygets stickkontakt måste passa i eluttaget. Modifiera aldrig kontakten på något sätt. Använd inte några adapterkontakter med jordanslutna (jordade) elektriska verktyg.** Icke modifierade kontakter och matchande uttag minskar risken för elektrisk stöt.
- Undvik kroppskontakt med jordade ytor, t.ex. rör, värmeelement, spisar och kylskåp.** Det finns en ökad risk för elektrisk stöt om din kropp är jordansluten eller jordad.
- Utsätt inte elverktyget för regn eller våta omgivelningar.** Vatten som kommer in i ett elverktyg ökar risken för elektrisk stöt.
- Hantera nätsladden varsamt. Använd aldrig sladden till att bära, dra eller koppla bort elverktyget från eluttaget. Håll sladden borta från värme, olja, vassa kanter och rörliga delar.** Skadade eller tilltrasslade sladdar ökar risken för elektrisk stöt.

- Använd en förlängningssladd som är godkänd för utomhusbruk när du arbetar med elverktyg utomhus.** Användning av en sladd som passar för utomhusanvändning minskar risken för elektrisk stöt.
- Om du måste använda ett elverktyg på en fuktig plats, bör du använda en strömförsörjning med jordfelsbrytare.** Användning av en jordfelsbrytare minskar risken för elektrisk stöt.

3. Personlig säkerhet

- Var uppmärksam, se på vad du gör och använd sunt omdöme när du använder elverktyget. Använd inte ett elverktyg när du är trött eller påverkad av droger, alkohol eller medicinering.** Ett ögonblicks ouppmärksamhet när du arbetar med elektriska verktyg kan resultera i allvarlig personskada.
 - Använd personlig skyddsutrustning. Använd alltid skyddsglasögon.** Skyddsutrustning såsom dammskyddsmask, halksäkra säkerhetsskor, skyddshjälm eller hörselskydd som används när förhållandena kräver det minskar risken för personsador.
 - Förhindra oavsiktlig start. Se till att strömbrytaren är i främäläge innan du ansluter till strömkällan och/eller batteriet, lyfter upp eller bär verktyget.** Att bära elektriska verktyg med fingret på strömbrytaren eller att koppla strömmen till elektriska verktyg som har strömbrytaren på är att provocera olyckor.
 - Ta bort alla inställningsverktyg och skruvnycklar innan du startar elverktyget.** En skiftnyckel eller en nyckel som sitter kvar på en roterande del av elverktyget kan resultera i personskada.
 - Sträck dig inte för mycket. Ha ordentligt fotfäste och balans hela tiden.** Detta möjliggör bättre kontroll av elverktyget i oväntade situationer.
 - Bär lämpliga kläder. Bär inte lösa kläder eller smycken. Håll hår, beklädnad och handskar borta från delar i rörelse. Lösa kläder, smycken eller långt hår kan fastna i rörliga delar.**
 - Om elverktyget har dammsugnings- och uppsamlingsutrustning kontrollerar du att den är monterad och används på korrekt sätt.** Användning av dammuppsamling kan minska dammrelaterade faror.
 - Låt inte kännedom som fåtts genom frekvent användning av verktyg göra att du bli självbelåten och ignorerar principer för verktygssäkerhet.** Slarvig hantering kan leda till allvarliga skador inom bråkdelen av en sekund.
- #### 4. Användning och skötsel av elverktyg
- Överbelasta inte elverktyget. Använd det korrekta elverktyget för ditt arbete.** Rätt elverktyg gör arbetet bättre och säkrare vid den hastighet som det har konstruerats för.

- b. **Använd inte elverktyget om det inte kan startas och stängas av med strömbrytaren.** Ett elverktyg som inte kan kontrolleras med strömbrytaren är farligt och måste repareras.
 - c. **Dra stickkontakten ur vägguttaget och/eller ta ut batteriet ur elverktyget innan inställningar görs, tillbehörsdelar byts ut eller elverktyget ställs undan.** Sådana förebyggande säkerhetsåtgärder minskar risken att oavsiktligt starta elverktyget.
 - d. **Förvara elverktyg utom räckhåll för barn. Låt inte personer som inte är vana vid elverktyget eller som inte läst denna bruksanvisning använda det.** Elektriska verktyg är farliga i händerna på utbildade användare.
 - e. **Underhålla elverktyg. Kontrollera för feljustering eller om rörliga delar har fastnat, bristning hos delar och andra eventuella förhållanden som kan komma att påverka elverktygets funktion. Om det är skadat, se till att elverktyget blir reparerat före användning.** Många olyckor orsakas av dåligt underhållna elektriska verktyg.
 - f. **Håll kapverktyg vassa och rena.** Det finns mindre risk att ordentligt skötta kapningsverktyg med vassa blad fastnar och de är lättare att kontrollera.
 - g. **Använd elverktyg, tillbehör, bits m.m. enligt dessa anvisningar, samtidigt som arbetsförhållandena och det arbete som ska utföras beaktas.** Användningen av elverktyget för andra verksamheter än de som det är avsett för skulle kunna resultera i en farlig situation.
 - h. **Håll handtagen och greppytorna torra, rena och fria från olja och fett.** Hala handtag och greppytor förhindrar säker hantering och kontroll av verktyget i oväntade situationer.
5. **Användning och skötsel av batteridrivet verktyg**
- a. **Ladda endast med den laddare som är specificerad av tillverkaren.** En laddare som passar en batterityp kan medföra brandrisk om den används ihop med ett annat batteri.
 - b. **Använd endast de batteri som är speciellt avsedda för elverktyget.** Användning av andra batterier kan leda till personskador eller eldsvåda.
 - c. **När batteriet inte används ska du hålla det åtskilt från metallföremål som gem, mynt, nycklar, spik, skruvar och andra små metallföremål som kan orsaka kortslutning mellan batteriets poler.** Kortslutning av batteripolerna kan leda till brännskador eller eldsvåda.
 - d. **Under olämpliga förhållanden kan vätska spruta ut från batteriet. Undvik kontakt. Vid oavsiktlig kontakt, spola med vatten. Om vätskan kommer i kontakt med ögonen, sök också läkarhjälp.** Vätska som sprutar ur batteriet kan orsaka sveda och brännskador.
 - e. **Använd inte ett batteri eller ett verktyg som är defekt eller modifierat.** Defekta eller modifierade batterier kan

fungera oförutsägbart och ge upphov till brand, explosion eller risk för kroppsskador.

- f. **Utsätt inte batteriet eller verktyget för eld eller höga temperaturer.** Utsättning för eld eller temperaturer över 130 °C kan orsaka en explosion.
- g. **Följ alla instruktioner gällande laddningen och ladda inte batteriet eller verktyget utanför det temperaturintervall som anges i bruksanvisningen.** Att ladda på fel sätt eller utanför det angivna temperaturintervallet kan skada batteriet och öka brandrisken.

6. Service

- a. **Låt en kvalificerad reparatör som bara använder originaldelar utföra service på elverktyget.** Detta säkerställer att elverktygets säkerhet behålls.
- b. **Gör aldrig service på skadade batterier.** Service av BATTERI bör endast utföras av tillverkaren eller auktoriserade tjänsteleverantörer.

Kompletterande säkerhetsvarningar för elverktyg



Varning! Ytterligare säkerhetsanvisningar för skruvdragare.

- ◆ **Håll elverktyget i de isolerade handtagen när arbeten utförs där sägtilbehöret kan komma i kontakt med dolda strömförande ledningar.** Skärande tillbehör som kommer i kontakt med en strömförande ledning kan göra att oskyddade metalldelar av elverktyget blir strömförande och kan ge användaren en elektrisk stöt.
- ◆ **Bär hörselskydd när du använder slagborrar.** Exponering för buller kan leda till hörselskador.
- ◆ **Använd extrahandtagen som medföljer verktyget.** Förlust av kontroll kan orsaka personskador.
- ◆ **Stöd verktyget ordentligt innan användning.** Detta verktyg producerar ett högt vridmoment och utan korrekt stöd av verktyget under arbetet kan förlust av kontrollen resultera i personskador.

Säkerhetsinstruktioner när långa borrbits används

- ◆ **Arbeta aldrig på högre hastighet än maximala hastighetsmärkningen på borrbitsen.** Vid högre hastigheter är sannolikheten att den böjs om den tillåts att rotera fritt utan kontakt med arbetsstycket vilket resulterar personskador.
- ◆ **Starta alltid borrningen på låg hastighet och med bitsen i kontakt med arbetsstycket.** Vid högre hastigheter är sannolikheten att den böjs om den tillåts att rotera fritt utan kontakt med arbetsstycket vilket resulterar i personskada.
- ◆ **Använd endast tryck i direkt linje med bitsen och använd inte överdrivet tryck.** Bits kan böjas och brytas sönder eller göra att kontrollen förloras vilket resulterar i personskador.

- ◆ Använd klämmor eller annat praktiskt sätt att säkra och fästa arbetsstycket på ett stabilt underlag. Att hålla arbetet för hand eller mot din kropp gör det instabilt och kan göra så att du tappar kontrollen.
- ◆ Innan du slår in fästelement i väggar, golv eller tak, kontrollera var rör eller elledningar finns.
- ◆ Avsedd användning beskrivs i denna bruksanvisning.
- ◆ Användning av andra tillbehör eller tillsatser eller prestanda vid arbetet med detta verktyg än de som rekommenderas i denna bruksanvisning kan utgöra en risk för personskador och/eller skador på egendom.

Säkerhet för andra

- ◆ Verktyget ska inte användas av personer (inklusive barn) med nedsatt fysisk eller mental förmåga eller bristande erfarenhet och kunskap om de inte får vägledning och övervakas av en person som ansvarar för deras säkerhet.
- ◆ Barn ska hållas under uppsikt så att de inte leker med apparaten.

Återstående risker

När verktyget används kan återstående risker som inte nämns i de medföljande säkerhetsvarningarna uppstå. Dessa risker kan uppstå på grund av felaktig användning, långvarig användning etc.

Trots att de relevanta säkerhetsbestämmelserna tillämpas och säkerhetsanordningarna används kan vissa återstående risker inte undvikas. Dessa omfattar:

- ◆ Skador orsakade av att roterande/rörliga delar vidrörs.
- ◆ Skador som uppstår vid byte av delar, blad eller tillbehör.
- ◆ Skador som orsakas av långvarig användning av ett verktyg. När du använder ett verktyg under en längre bör du ta regelbundna pauser.
- ◆ Hörselnedsättning.
- ◆ Hälsorisker orsakade av inandning av damm när verktyget används (exempel: arbete med trä, särskilt ek, bok och MDF).

Vibrationer

De vibrationsvärden som anges i avsnitten Tekniska data och EG-deklarationen om överensstämmelse har uppmätts i enlighet med en standardtestmetod föreskriven i EN 62841 och kan användas för jämförelse med andra verktyg. De deklarerade vibrationsvärdena kan också användas för en preliminär bedömning av exponering.

Varning! Vibrationsvärdet under faktisk användning av elverktyget kan skilja sig från det deklarerade värdet, beroende på hur verktyget används. Vibrationsnivån kan överstiga den angivna nivån.

Vid bedömningen av vibrationsexponering för att fastställa de säkerhetsåtgärder som enligt 2002/44/EG krävs för att skydda

personer som regelbundet använder elverktyg i arbetet, bör man beakta de faktiska användningsförhållandena, hur verktyget används och förutom den tid det är aktiverat, också beakta den tid som verktyget är avstängt och går på tomgång.

Etiketter på verktyget

Följande varningssymboler finns på verktyget, tillsammans med datumkoden:



Varning! För att minska risken för personskada, måste användaren läsa bruksanvisningen.



Bär hörselskydd när du använder slagborrar. Att utsättas för buller kan leda till hörselskador



Stirra inte in i arbetslampan

Ytterligare säkerhetsinstruktioner för batterier och laddare (levereras inte med verktyget)

Batterier

- ◆ Försök aldrig öppna batteriet.
- ◆ Utsätt inte batteriet för vatten.
- ◆ Förvara inte apparaten på platser där temperaturen kan bli högre än 40 °C.
- ◆ Ladda endast vid temperaturer mellan 10 °C och 40 °C.
- ◆ Ladda endast med hjälp av laddare som medföljer verktyget.
- ◆ Följ instruktionerna som anges i avsnittet "Miljö" när du kastar batterierna.



Försök inte ladda skadade batterier.

Laddare

- ◆ Laddaren från Stanley Fat Max får bara användas för att ladda batteriet i det verktyg som laddaren levererades med. Andra batterier kan spricka och orsaka personskador och andra skador.
- ◆ Försök aldrig ladda batterier som inte är uppladdningsbara.
- ◆ Byt defekta sladdar omgående.
- ◆ Utsätt inte laddaren för vatten.
- ◆ Öppna inte laddaren.
- ◆ Gör ingen åverkan på laddaren.



Adaptren är endast avsedd för användning inomhus.



Läs bruksanvisningen före användning.

Elektrisk säkerhet



Eftersom laddaren är dubbelisolerad behövs ingen jordledare. Kontrollera alltid att nätspänningen överensstämmer med spänningen på typskylten. Försök aldrig byta ut kontakten till laddaren mot en vanlig kontakt.

- ◆ Om nätsladden är skadad, måste den för att undvika risker, bytas ut av tillverkaren eller en auktoriserad Stanley Fat Max-verkstad.

Egenskaper

Detta redskap har några eller samtliga av följande funktioner.

1. Strömbrytare
2. Knapp framåt/bakåt
3. Ring för justering av vridmomentet
4. Områdesväljare för dubbelväxel
5. Snabbchuck
6. Batteri
7. Batterilåsknapp
8. LED-arbetsbelysning
9. Bitshållare

Användning

Varning! Låt verktyget arbeta i sin egen takt. Överbelasta det inte.

Ladda batteriet

Batteriet måste laddas innan det används för första gången och sedan varje gång som det inte ger tillräckligt hög effekt för arbeten som annars brukar gå bra. Batteriet kan bli varmt när det laddas. Det är normalt och innebär inte att något är fel.

Varning! Ladda inte batteriet om temperaturen i luften är lägre än 10 °C eller högre än 40 °C. Den rekommenderade laddningstemperaturen är cirka 24 °C.

Notera: Laddaren laddar inte batteriet om celltemperaturen är lägre än ungefär 10 °C eller högre än 40 °C.

Batteriet får då sitta kvar i laddaren, som kommer att börja laddningen automatiskt när celltemperaturen har stigit eller sjunkit.

- ◆ Anslut laddaren till ett lämpligt uttag innan du sätter i batteriet.
- ◆ Sätt batteriet i laddaren.



Den gröna laddningsindikatorn kommer att blinka, vilket visar att batteriet laddas.



När laddningen är klar indikeras detta av att den gröna LED:n lyser kontinuerligt. Batteriet är fulladdat och kan nu användas eller lämnas i laddaren.

Varning! Ladda urladdade batterier så snart som möjligt efter användning, i annat fall kan batterilivslängden minska betydligt.

Laddardiagnostik

Denna laddare är designad att upptäcka vissa problem som kan uppstå med batteripaketet eller strömkällan. Problemen indikeras av en LED-blinkning i olika mönster.

Dåligt batteri



Laddaren kan upptäcka ett svagt eller skadat batteri. Den röda LED blinkar i mönstret som anges på etiketten. Om du ser detta blinkmönster för dåligt batteri, fortsätt då inte att ladda batteriet. Returnera det till ett servicecenter eller lämna det till batteriinsamlingen

Varm/kall fördröjning



När laddaren upptäcker ett batteri som är överdrivet hett eller överdrivet kallt, kommer den automatiskt att starta en varm/kall fördröjning och avbryta laddningen tills batteriet har nått en lämplig temperatur. När detta sker växlar laddaren automatiskt till paketladdningsläget. Denna funktion garanterar maximal batterilivslängd. Den röda LED blinkar i mönstret som anges på etiketten när den heta/kalla paketfördröjningen upptäcks.

Problem strömledning



När laddaren används med vissa portabla strömkällor såsom generatorer eller källor som konverterar DC till AC, kan laddaren temporärt avbryta operationen. LED blinkar i mönstret som anges på etiketten. Det indikerar att strömkällan är utanför gränsen

Lämna batteriet i laddaren

Batteriet kan sitta kvar i laddaren och laddaren kan vara ansluten till vägguttaget hur länge som helst när indikatorn lyser. Laddaren ser till att batteriet hålls fräscht och fulladdat.

Viktiga laddningsnoteringar

- ◆ Längsta livslängd och bästa prestanda uppnås om batteripaketet laddas då lufttemperaturen är mellan 18 °C-24 °C. Ladda INTE batteripaketet i lufttemperaturer under +4,5 °C eller över +40,5 °C. Detta är viktigt eftersom det förhindrar allvarlig skada på batteripaketet.
- ◆ Laddaren och batteripaketet kan bli för varma att vidröra under laddningen. Detta är normalt och indikerar inte något problem. För att möjliggöra kylning av batteripaketet, undvik att placera laddaren eller batteripaketet på en varm plats såsom i ett metallskjul eller i en oisolerad vagn.
- ◆ Om inte batteripaketet laddar ordentligt:
 - ◆ Kontrollera eluttaget genom att ansluta en lampa eller någon annan apparat.
 - ◆ Kontrollera om uttaget är anslutet till en strömbrytare som stänger av strömmen när du släcker ljuset.
 - ◆ Flytta laddaren och batteriet till en plats där den omgivande temperaturen är ungefär 18 °C-24 °C. Om laddningsproblemen kvarstår, lämna verktyget, batteripaketet och laddaren till ditt lokala Stanley Fat Max servicecenter.
- ◆ Batteripaketet måste laddas när de inte längre kan producera tillräckligt med energi för jobb som enkelt utfördes tidigare.
- ◆ Fortsätt INTE att använda under dessa förhållanden. Följ laddningsproceduren.
- ◆ Du kan också ladda ett delvis använt paket när du så önskar utan att det har någon negativ effekt på batteripaketet.

Montering och borttagning av batteripaketet från verktyget

Varning! Innan du sätter i eller tar ut batterierna ska du kontrollera att låsreglaget är i låst läge, så att du inte råkar sätta på verktyget av misstag.

Installera batteripaketet

- ◆ Sätt i batteriet i verktyget tills ett hörbart klick hörs, som visas på bild A. Se till att batteriet är helt isatt och låst på plats.

Ta bort batteripaketet

- ◆ Tryck ned batterilåsknappen (7) såsom visas i bild B dra bort batteriet från verktyget.

Avtryckare och framåt-/bakåtknapp - bild C

- ◆ Borrmaskinen slås PÅ och stängs AV genom att trycka på eller släppa avtryckaren (1) såsom visas i bild C. Ju längre

avtryckaren trycks in desto högre hastighet på bormaskinen.

- ◆ Med framåt-/bakåtknappen (2) väljer man verktygets riktning (höger-/vänstergång). Knappen fungerar även som låsknapp.
- ◆ För rotation höger släpp strömbrytaren och tryck på väljaren höger-/vänstergång på höger sida av verktyget.
- ◆ För rotation vänster tryck på väljaren höger-/vänstergång på vänster sida av verktyget.
- ◆ Den mittersta positionen låser verktyget i avstängt läge. Vid byte av position av kontrollknappen se till att avtryckaren är släppt.

Inställning av vridmomentkontrollen - bild D

Detta verktyg är utrustat med en inställningsring (3) för att välja driftläge och inställning av vridmomentet vid skruvdragning. Stora skruvar och dragning av skruvar i hårda material kräver ett högre vridmoment än små skruvar och mjuka material.

- ◆ Vid borring i trä, metall och plast vrider du ringen till läget med borsymbolen.
- ◆ Vid idragning av skruvar vrider du ringen till önskat läge. Om du inte vet vilket läge du ska välja gör du så här:
 - ◆ Ställ in ringen på det lägsta vridmomentet.
 - ◆ Dra åt den första skruven.
 - ◆ Om kopplingen slår ifrån innan önskat resultat är uppnått ökar du ringinställningen och fortsätter att dra åt skruven.
 - ◆ Upprepa tills du hittat rätt inställning.
 - ◆ Använd denna inställning med de återstående skruvarna.

Dubbel lägesomkopplare - bild E

Den här bormaskinen har två olika hastighetslägen, vilket gör den mer flexibel.

- ◆ För att välja en låg hastighet och högt vridmoment (position 1), stäng av verktyget och vänta tills det stannat. Skjut tillbaka hastighetsväljarknappen (4) bort från chucken.
- ◆ För att välja en hög hastighet och lågt vridmoment (position 2), stäng av verktyget och vänta tills det stannat. Skjut hastighetsväljaren bakåt (mot chucken).

Notera: Flytta inte hastighetsväljaren när verktyget är påslaget. Om du har problem med att växla, se till att hastighetsväljarknappen är tryckt antingen helt framåt eller helt bakåt.

snabbchuck - bild F

Varning! Innan du monterar eller tar bort tillbehör ska du kontrollera att batteripaketet är borttaget.

För att sätta in en borspets eller annat tillbehör:

- ◆ Håll chucken (5) och vrid den moturs såsom visas från chuckändan.
- ◆ För in bitsen eller annat tillbehör helt i chucken och dra åt ordentligt genom att vrida chucken medurs såsom visas från chuckändan.

Varning! Försök inte att dra åt eller lossa borrhjulsar (eller något annat tillbehör) genom att greppa chuckens framdel och sätta igång verktyget. Personskador eller skador på chucken kan uppstå om tillbehör byts på detta sätt.

Skruvdragning

- Vid idragning av fästdon ska knappen framåt/bakåt vara skjuten åt vänster.
- Använd bakåt (knappen skjuten åt höger) för borttagning av fästdon.

Notera: Vid ändring från framåt till bakåt eller vice versa, släpp alltid avtryckaren först.

Borning

- Använd endast vassa bits.
- Stöd och fäst arbetsstycket ordentligt såsom instrueras i säkerhetsinstruktionerna.
- Använd lämplig säkerhetsutrustning som krävs såsom instrueras i säkerhetsinstruktionerna.
- Säkra och underhåll arbetsområdet såsom instrueras i säkerhetsinstruktionerna.
- Kör borren mycket sakta, använd lätt tryck tills hålet är tillräckligt stort för att hålla kvar borrhjulsbiten.
- Tryck i bitsens riktning. Tryck tillräckligt hårt för att bitsen ska borra, men inte så hårt att motorn stannar eller bitsen böjer sig.
- Håll bormaskinen fast med båda händerna, en hand på handtaget och den andra i ett grepp på undersidan runt batteriet eller extra handtaget om sådant finns.
- **OM BORREN STANNAR SKA DU INTE FÖRSÖKA STARTA DEN IGEN GENOM ATT TRYCKA IN OCH SLÄPPA STRÖMBRYTAREN UPPREPADE GÅNGER. DETTA KAN SKADA BORMASKINEN.**
- Minska risken för att borren stannar vid genomborning genom att minska trycket och borra sakta den sista biten.
- Låt motorn vara igång medan du drar ut bitsen ur hålet. Då minskar risken för att verktyget kör fast.
- Se till att avtryckaren startar och stänger av bormaskinen.

Borra i trä

Man kan borra i trä med samma borrhjulsar som används för metallborring eller med borrar med sidoskär. Använd välslipade bits och dra ut dem med jämna mellanrum under borringen för att rensa bort spån från spåren.

Borra i metall

Använd smörjolja vid borring i metall. Undantaget är gjutjärn och mässing som bör borraras torrt. Sulfurerad skärolja fungerar bäst som skärolja.

Borra i betong

Vid borring i murverk ställer du borrhjulsväljaren (3) i läget slagborring i linje med symbolen med den markeringen. An-

vänd betongborr med karbidspets. Se borrhjulssektionen. Använd ett jämnt tryck på borren, men tryck inte så hårt att det porösa materialet går sönder. Ett fint, jämnt flöde med damm indikerar korrekt borrhastighet.

LED-arbetsbelysning

När borren är aktiverad genom tryckning på avtryckaren (1) kommer den integrerade LED-arbetsbelysningen (8) automatiskt att lysa på arbetsområdet.

Notera: Arbetslampan är till för att belysa det omedelbara arbetsområdet och är inte avsedd att användas som ficklampa.

Bitshållare

En bitshållare (9) är inbyggd i basen på verktyget.

Felsökning

Problem	Möjlig orsak	Möjlig lösning
Enheten startar inte.	Batteriet sitter inte rätt. Batteriet är inte laddat.	Se till att batteriet sitter som det ska. Se till att batteriet är ordentligt laddat
Enheten startar omedelbart när batteriet sätts i	Omkopplaren har lämnats i "på" positionen.	Omkopplaren måste flyttas till "av" för att förhindra att verktyget startar omedelbart när batteriet sätts i.
Batteriet går inte att ladda.	Batteriet är inte ordentligt isatt i laddaren. Laddaren är inte ansluten till elnätet. Omgivande temperatur är för varm eller för kall.	Sätt batteriet i laddaren så att LED lyser. Anslut laddaren till ett fungerande eluttag. Flytta laddaren och batteriet till en plats där temperaturen i den omgivande luften är över 4,5 °C eller under +40,5 °C.
Enheten stängs av plötsligt.	Batteriet har nått dess maximala termiska gräns. Slut på laddning. (För att maximera livslängden på batteripaketet är det designat att stängas av plötsligt när laddningen är slut	Låt batteripaketet svalna. Placera på laddare och ladda.

Underhåll

Detta Stanley Fat Max-verktyg har tillverkats för att fungera under lång tid med ett minimum av underhåll. Kontinuerlig tillfredsställande drift beror på ordentlig verktygsvård och regelbunden rengöring.

Din laddare kräver ingen annan service än regelbunden rengöring.

Varning! Ta ut batteriet ur verktyget innan du utför något underhåll på verktyget. Dra ur sladden till laddaren innan du rengör den.

- ◆ Rengör regelbundet verktygets ventilationsöppningar och laddaren med en mjuk borste eller torr trasa.
- ◆ Rengör motorhöljet regelbundet med en fuktig trasa. Använd inga slipande eller lösningsmedelhaltiga rengöringsmedel.
- ◆ Öppna chucken med jämna mellanrum och knacka på den för att avlägsna damm som sitter på insidan.

Att skydda miljön



Separat insamling. Produkter och batterier märkta med denna symbol får inte kastas med de vanliga hushållsoporna.

Produkter och batterier innehåller material som kan återvinnas och återanvändas för att minska behovet av råmaterial. Återvinn elektriska produkter och batterier enligt lokala bestämmelser. Närmare information finns tillgänglig på www.2helpU.com.

Tekniska specifikationer

		FMC626
Spänning	V_{DC}	18 V
Varvtal obelastad	Min^{-1}	0-350/0-1500
Max vridmoment	Nm	47
Chuckkapacitet	mm	13
Maximal borrkapacitet		
Stål/trå/murverk	mm	13/35/13
Vikt	kg	1,2

Laddare		905998**	906086**
Ingångsspänning	V_{AC}	230	230
Utspänning	V_{DC}	18	18
Strömstyrka	mA	1000	2000
Laddningstid cirka	Min	80-240	40-120

Batteri		FMC685L	FMC687L	FMC684L
Spänning	V_{AC}	18	18	18
Kapacitet	Ah	1,5	2,0	1,3
Typ		Litiumjon	Litiumjon	Litiumjon

Ljudtrycksnivå enligt EN 62841:	
Ljudtryck (L_{pA})	87,0 dB(A), osäkerhet (K) 5 dB(A)

Ljudtrycksnivå enligt EN 62841:	
Ljudeffekt (L_{WA})	98,0 dB(A), osäkerhet (K) 5 dB(A)
Totala vibrationsvärden (vektorsumman av tre axlar) enligt EN 60745:	
Borrning i metall ($a_{h, D}$)	$< 2,5 \text{ m/s}^2$, osäkerhet (K) 1,5 m/s^2
Slagborrning i betong ($a_{h, D}$)	14,9 m/s^2 , osäkerhet (K) 1,5 m/s^2

EG-försäkran om överensstämmelse

MASKINDIREKTIVET



FMC626 - sladdlös slagbormaskin

Stanley Fat Max garanterar att produkterna som beskrivs under "Tekniska data" uppfyller: 2006/42/EG, EN62841-1:2015, EN62841-2-1:2018+A11:2019.

Dessa produkter uppfyller också direktiv 2014/30/EU och 2011/65/EU.

För ytterligare information, kontakta Stanley Fat Max på följande adress eller se slutet av bruksanvisningen.

Undertecknad är ansvarig för sammanställningen av tekniska data och gör denna försäkran för Stanley Fat Max.

Patrick Diepenbach

Patrick Diepenbach
General Manager, Benelux
Stanley Fat Max,
Egide Walschaertsstraat 14-18
2800 Mechelen, Belgien
30/09/2021

Garanti

Stanley Fat Max är säker på kvaliteten hos denna produkt och erbjuder kunder 12 månaders garanti från datumet för inköpet. Denna garanti är ett tillägg till dina lagstadgade rättigheter och påverkar inte dessa på något sätt. Garantin är giltig i de territorier som tillhör medlemsstaterna i Europeiska unionen och det europeiska frihandelsområdet.

För yrkande under garantin måste yrkandet vara in enlighet med Stanley Fat Max villkor och du kommer att behöva skicka in bevis på köpet till försäljaren eller en auktoriserad reparatör. Villkoren för Stanley Fat Max 1-åriga garanti och var din närmaste auktoriserade reparationsverkstad befinner sig kan du se på internetadressen www.2helpU.com, eller ta reda på genom att kontakta din lokala Stanley Fat Max-filial på den adress som finns angiven i denna handbok.

Besök vår webbplats www.stanley.eu/3 för att registrera din nya Stanley Fat Max-produkt samt för att få information om nya produkter och specialerbjudanden

Tiltent bruk

Din Stanley Fat Max FMC626 drill/skrutrekker er utformet for bruk som skrutrekker og for boring i tre, metall, plast og løs mur. Dette apparatet er tiltent både fagarbeidere og private brukere.

Sikkerhetsinstruksjoner

Generelle sikkerhetsadvarsler for elektriske verktøy



Advarsel! Les alle sikkerhetsadvarsler, instruksjoner, illustrasjoner og spesifikasjoner som følger dette elektriske verktøyet. Manglende overholdelse av advarslene og instruksjonene kan resultere i elektrisk sjokk, brann og/eller alvorlig skade.

Lagre alle advarsler og instruksjoner for fremtidig bruk.

Uttrykket "elektrisk verktøy" i advarslene henviser til ditt strøm-drevne (med ledning) elektriske verktøy eller ditt batteridrevne (uten ledning) elektriske verktøy.

1. Sikkerhet på arbeidsområdet

- Hold arbeidsområdet rent og godt opplyst.** Rotete eller mørke områder er en invitasjon til ulykker.
- Ikke arbeid med elektroverktøy i eksplosjonsfarlige omgivelser, for eksempel der det befinner seg brennbare væsker, gass eller støv.** Elektriske verktøy skaper gnister som kan antenne støv eller gasser.
- Hold barn og andre personer unna når du bruker et elektroverktøy.** Distraksjoner kan føre til at du mister kontrollen.

2. Elektrisk sikkerhet


- Støpselet til verktøyet må passe til stikkkontakten. Aldri modifier støpselet på noen måte. Ikke bruk adaptere med jordede elektriske verktøy.** Umodifiserte støpsler og stikkontakter som passer vil redusere risikoen for elektrisk støt.
- Unngå kroppskontakt med jordede overflater som rør, radiatorer, komfyrer og kjøleskap.** Det er økt risiko for elektrisk støt dersom kroppen din er jordat.
- Ikke utsett elektroverktøy for regn eller fuktighet.** Dersom det kommer vann inn i et elektrisk verktøy vil det øke risikoen for elektrisk støt.
- Unngå uforvarlig behandling av ledningen. Aldri bruk ledningen til å bære, trekke eller dra ut støpselet til det elektriske verktøyet. Hold ledningen borte fra varme, olje, skarpe kanter eller bevegelige deler.** Skadede eller flokede ledninger øker risikoen for elektrisk støt.
- Når du bruker et elektroverktøy utendørs, må du bruke en skjøtledding som er egnet til utendørs bruk.** Bruk

av en skjøtledding beregnet for utendørs bruk reduserer risikoen for elektrisk støt.

- Hvis du ikke kan unngå å bruke elektroverktøy på et fuktig sted, må du bruke en strømforsyning som er beskyttet med jordfeilbryter (RCD).** Bruk av jordfeilbryter (RCD) reduserer risikoen for elektrisk støt.

3. Personlig sikkerhet

- Vær oppmerksom, pass på hva du gjør, og vis fornødt når du arbeider med et elektroverktøy. Ikke bruk et elektrisk verktøy dersom du er trøtt eller er påvirket av medikamenter, narkotika eller alkohol.** Ett øyeblikks uoppmerksomhet under bruk av elektriske verktøy kan føre til alvorlig personskade.
 - Bruk personlig verneutstyr. Bruk alltid vernebriller.** Verneutstyr slik som støvmaske, skliskre vernesko, hjelm, eller hørselsvern brukt under passende forhold vil redusere personskader.
 - Forhindre utilsiktet start. Sikre at bryteren er i av-stillingen før du kobler til strømkilden og/eller batteripakken, plukker opp eller bærer verktøyet.** Å bære elektriske verktøy med fingern på bryteren eller å sette inn støpselet mens elektriske verktøy har bryteren på øker faren for ulykker.
 - Fjern eventuelt innstillingsverktøy eller skruverktøy før du slår på elektroverktøyet.** En nøkkel som er festet til en roterende del av det elektriske verktøyet kan føre til personskade.
 - Ikke strekk deg for langt. Ha godt fotfeste og stå støtt hele tiden.** Dette fører til at du har bedre kontroll over det elektriske verktøyet ved uventede situasjoner.
 - Bruk egnede klær. Ikke ha på deg løstsittende klær eller smykker. Hold hår, antrekk og hansker borte fra bevegelige deler.** Løstsittende klær, smykker og langt hår kan bli fanget opp av bevegelige deler.
 - Hvis det kan monteres støvavsug- og oppsamlingsinnretninger, må du forvise deg om at disse er tilkoblet og brukes på riktig måte.** Bruk av støvoppsamlere kan redusere støvrelaterte farer.
 - Ikke la kunnskap og vaner som skyldes hyppig bruk av verktøy føre til at du blir likegyldig og ignorerer sikkerhetsprinsippene for verktøyet.** En ubetenksom handling kan føre til alvorlige personskader på brokdelen av et sekund.
- Bruk og vedlikehold av elektriske verktøy**
 - Ikke bruk makt på elektroverktøyet. Bruk det elektriske verktøyet som situasjonen krever.** Det riktige elektriske verktøyet vil gjøre jobben bedre og tryggere ved den hastigheten det ble konstruert for.
 - Ikke bruk elektroverktøyet hvis du ikke kan slå det på og av med bryteren.** Ethvert elektrisk verktøy som ikke kan kontrolleres med bryteren er farlig og må repareres.

- c. **Trek støpselet ut av stikkkontakten og/eller koble fra batteripakken på elektroverktøyet før du utfører innstillinger, bytter tilbehør eller legger elektroverktøyet bort.** Slike preventive sikkerhetsforanstaltninger reduserer risikoen for å starte det elektriske verktøyet ved et uhell.
- d. **Elektroverktøy som ikke er i bruk, må oppbevares utilgjengelig for barn. Ikke la verktøyet bli brukt av personer som ikke er fortrolige med det, eller som ikke kjenner disse instruksjonene.** Elektriske verktøy er farlige i hendene på utrenede brukere.
- e. **Sørg for vedlikehold av elektroverktøy. Kontroller om bevegelige deler er feiljustert eller fastskjært, om deler er ødelagt eller andre forhold som kan påvirke driften av verktøyet. Dersom det er skadet, få verktøyet reparert før neste bruk.** Mange ulykker forårsakes av dårlig vedlikeholdte verktøy.
- f. **Hold skjæreverktøy skarpe og rene.** Godt vedlikeholdte skjæreverktøy med skarpe skjærekanter setter seg mindre sannsynlig fast og er lettere å kontrollere.
- g. **Bruk elektroverktøy, tilbehør, bor osv. i henhold til disse instruksjonene. Ta hensyn til arbeidsforholdene og arbeidet som skal utføres.** Bruk av det elektriske verktøyet for oppgaver som er forskjellige fra de som er tiltenkt kan føre til en farlig situasjon.
- h. **Hold håndtak og gripeflater tørre, rene og frie for olje og fett.** Glatte håndtak og gripeområder gir utrygg håndtering og manglende kontroll over verktøyet i uventede situasjoner.
5. **Bruk og stell av batteriverktøy**
- a. **Ladningen skal bare skje med den laderen som produsenten har spesifisert.** En lader som passer for en type batteripakke kan føre til risiko for brann dersom den brukes på en annen batteripakke.
- b. **Bruk elektroverktøy bare sammen med spesifikt angitte batteripakker.** Bruk av andre batteripakker kan føre til risiko for personskade og brann.
- c. **Når batteripakken ikke er i bruk, må du oppbevare den atskilt fra andre metallgjenstander som binders, mynter, nøkler, spiker, skruer eller andre små metallgjenstander som kan opprette en forbindelse fra en terminal til en annen.** Kortslutning av batteripolene mot hverandre kan føre til brannskader eller brann.
- d. **Ved feilaktig bruk kan det komme væske ut av batteriet, unngå kontakt med den. Dersom du kommer i kontakt med den, skyll av med vann. Dersom du får væsken i øynene, søk legehjelp.** Væske som kommer ut av batteriet kan føre til irritasjon eller brannskader.
- e. **Ikke bruk en batteripakke eller verktøy som er skadet eller modifisert.** Skadede eller modifiserte batterier kan oppføre seg uforutsigbart og føre til brann, eksplosjon eller fare for personskade.
- f. **Ikke utsett en batteripakke eller et verktøy for ild eller for høy temperatur.** Ild eller temperatur over 130 °C kan føre til en eksplosjon.
- g. **Følg alle anvisninger for lading og lad ikke batteripakken eller verktøyet ved temperaturer som avviker fra området spesifisert i bruksanvisningen.** Feilaktig lading eller lading ved temperaturer utenfor det angitte område kan skade batteriet og øker brannfaren.
6. **Service**
- a. **Elektroverktøy skal repareres av kvalifisert personell og bare med originale reservedeler.** Dette vil sikre at verktøyet sikkerhet blir ivaretatt.
- b. **Utfør aldri vedlikehold på skadede batteripakker.** Service på BATTERIPAKKER skal kun utføres av produsenten eller et autorisert serviceverksted.
- Ekstra sikkerhetsadvarsler for elektriske verktøy**
-  **Advarsel!** Ytterligere sikkerhetsadvarsler for skrutrekker.
- ◆ Hold det elektriske verktøyet kun i isolerte gripeoverflater når du utfører operasjoner hvor skjæreverktøyet kan komme i kontakt med skjulte ledninger. Kapping av en strømførende ledning kan føre til at eksponerte metalldele på elektroverktøyet blir strømførende, og kan gi operatøren støt.
 - ◆ **Bruk hørselvern når du bruker skruverktøy med slag.** Å bli utsatt for støt kan føre til hørselstap.
 - ◆ **Bruk hjelpehåndtak som følger med verktøyet.** Tap av kontroll kan forårsake personskade.
 - ◆ **Hold verktøyet riktig før bruk.** Verktøyet leverer et høyt moment, og dersom man ikke holder verktøyet riktig under bruk kan tap av kontroll føre til personskader.
- Sikkerhetsanvisninger ved bruk av lange drillbits**
- ◆ **Bruk aldri høyere hastighet enn maksimal angitt hastighet for drillbiten.** Ved høyere hastigheten har biten en tendens til å bøye seg dersom den roterer fritt uten kontakt med arbeidsstykket, det kan føre til personskade.
 - ◆ **Start alltid boringen ved lav hastighet og med tuppen av biten i kontakt med arbeidsstykket.** Ved høyere hastigheten har biten en tendens til å bøye seg dersom den roterer fritt uten kontakt med arbeidsstykket, det kan føre til personskade.
 - ◆ **Legg på trykk kun i rett linje med biten og ikke bruk for hardt trykk.** Biten kan bøye seg og føre til at den brekker eller at du mister kontrollen, som kan føre til personskade.
 - ◆ **Bruk klemmer eller annen praktisk måte for å sikre og feste arbeidsstykket på et stabilt grunnlag.** Holding arbeidsstykket i hånden eller mot kroppen gjør det ustabil og kan føre til at du mister kontroll.

- ◆ **Før du fester skruer i vegger, gulv eller tak, sjekk for posisjon av ledninger og rør.**
- ◆ **Bruksområdet er beskrevet i denne bruksanvisning.**
- ◆ **Bruk av tilbehør, ekstrastyr eller å utføre handlinger med dette verktøyet utenom de som er anbefalt i denne bruksanvisningen kan føre til fare for personskader og/eller materielle skader.**

Sikkerhet for andre

- ◆ Dette apparatet er ikke ment for bruk av personer (inkludert barn) med redusert fysiske, sensoriske eller mentale evner, eller mangel på erfaring og kunnskap, med mindre de får tilsyn eller har blitt opplært i bruk av apparatet av en person ansvarlig for deres sikkerhet.
- ◆ Barn må holdes under oppsyn, sørg for at de ikke leker med apparatet.

Restrisikoer

Andre risikoer kan oppstå dersom du bruker verktøyet på en måte som ikke er beskrevet i de angitte sikkerhetsadvarslene. Slik risiko kan oppstå som følge av feil bruk, for lang bruk og annet.

Til tross for at man følger relevante sikkerhetsbestemmelser og bruker sikkerhetsstyr, er det bestemte restrisikoer som ikke kan unngås. Disse inkluderer:

- ◆ Personskader som forårsakes av berøring av en roterende/bevegelig del.
- ◆ Personskader som forårsakes av at en del, et blad eller tilbehør endres.
- ◆ Personskader som forårsakes av langvarig bruk av et verktøy. Ved bruk av et verktøy i lengre perioder, pass på å ta regelmessige pauser.
- ◆ Hørselskader.
- ◆ Helsefarer som forårsakes av innånding av støv som dannes når du bruker verktøyet (eksempel: arbeid med tre, spesielt eik, bøk og MDF.)

Vibrasjon

Vibrasjonsemissjonsverdien som er angitt under tekniske data og samsvarserklæring, er blitt målt i henhold til en standard testmetode som er angitt i EN 62841, og kan brukes til å sammenligne et verktøy med et annet. De angitte vibrasjonsverdiene kan også brukes som en foreløpig vurdering av eksponeringen.

Advarsel! De virkelige vibrasjonsverdiene under bruk av elektroverktøyet kan avvike fra de oppgitte verdiene avhengig av hvordan verktøyet brukes. Vibrasjonsnivået kan øke over det angitte nivået.

Ved vurdering av vibrasjonseksponering for bestemmelse av sikkerhetstiltak i henhold til 2002/44/EU for beskyttelse av personer som regelmessig bruker elektroverktøy i jobben, bør et estimat av vibrasjonseksponeringen ta hensyn til bruksfor-

holdene og måten verktøyet brukes på, inkludert en vurdering av alle deler av arbeidsprosessen, så som varighet av bruk og tomgangstid i forhold til tid for virkelig bruk.

Etiketter på verktøyet

Følgende advarselssymboler vises på verktøyet sammen med datokoden:



Advarsel! For å redusere skaderisikoen, les bruksanvisningen.



Bruk hørselsvern når du bruker slagboremaskiner. Å bli utsatt for støy kan forårsake hørselstap



Ikke se direkte på lampen når den er på

Ytterligere sikkerhetsinstruksjoner for batterier og ladere (følger ikke med verktøyet)

Batterier

- ◆ Forsøk aldri å åpne av noen årsak.
- ◆ Ikke utsett batteriet for vann.
- ◆ Ikke oppbevar det på steder hvor temperaturen kan komme over 40 °C.
- ◆ Lade kun ved omgivelsestemperaturer mellom 10 °C og 40 °C.
- ◆ Bruk bare laderen som følger med verktøyet.
- ◆ Følg instruksjonene i avsnittet "Miljøvern" når du skal kaste batterier.



Ikke forsøk å lade opp skadede batterier.

Ladere

- ◆ Stanley Fat Max-laderen skal bare brukes til å lade batteriet i apparatet som laderen kom sammen med. Andre batterier kan sprekke og føre til personskade og materiell skade.
- ◆ Prøv aldri å lade ikke-oppladbare batterier.
- ◆ Skift ut defekte strømkabler umiddelbart.
- ◆ Ikke utsett laderen for vann.
- ◆ Ikke åpne laderen.
- ◆ Ikke stikk noe inn i laderen.



Laderen er bare beregnet for bruk innendørs.



Les denne håndboken før bruk.

Elektrisk sikkerhet



Denne laderen er dobbeltisolert. Jording er derfor ikke nødvendig. Kontroller alltid at nettspenningen er i overensstemmelse med spenningen på typeskiltet. Prøv aldri å skifte ut laderen med et vanlig nettstøpsel.

- ◆ Hvis strømledningen blir skadet, må den skiftes av produsenten eller et autorisert Stanley Fatmax-servicesenter så man unngår fare.

Funksjoner

Dette verktøyet har noen av eller alle funksjonene angitt under.

1. Utløserbryter
2. Fremover/bakover knapp
3. Momentjusteringsmansjett
4. Gir med to områder
5. Nøkkelløs chuck
6. Batteri
7. Batteriutløserknapper
8. LED-arbeidslampe
9. Bitsholder

Bruk

Advarsel! La verktøyet jobbe i sin egen hastighet. Ikke overbelast det.

Lading av batteriet

Batteriet må lades før første bruk og hver gang det ikke lenger gir nok strøm til jobber som tidligere lett ble utført. Batteriet kan bli varmt under ladning. Dette er normalt og innebærer ikke feil.

Advarsel! Ikke lad batteriet ved omgivelsestemperaturer under 10 °C eller over 40 °C. Anbefalt ladetemperatur er ca. 24 °C.

Merk: Laderen vil ikke lade et batteri hvis celledemperaturen er under ca. 10 °C eller over 40 °C.

Du bør la batteriet stå i laderen. Laderen begynner å lade automatisk når celledemperaturen blir høyere eller lavere.

- ◆ Plugg inn laderen i en passende stikkontakt før du setter inn batteripakken.
- ◆ Sett batteripakken inn i laderen.



Det grønne LED-lyset blinker for å varsle om at batteriet lades.



Fullført lading vises ved at den grønne LED-en er på. Pakken er da fullt oppladet og kan brukes, eller den kan bli stående i laderen

Advarsel! Lad opp utladete batterier så fort som mulig etter bruk, ellers vil batteriets levetid forringes.

Laderdiagnose

Denne laderen er designet for å oppdage visse problemer som kan oppstå med batteripakken eller strømkilden. Problemer indikeres av et LED-lys som blinker i ulike mønstre.

Dårlig batteri



Laderen kan oppdage et svakt eller ødelagt batteri. LED-lyset blinker i mønsteret som er indikert på merkelappen. Hvis du ser dette blinkemønsteret for dårlig batteri, skal du ikke fortsette å lade batteriet. Returner det til et servicesenter eller et oppsamlingssted for resirkulering

Ventetid for varm/kald pakke



Dersom laderen detekterer et batteri som er for varmt eller for kaldt, vil den automatisk starte en "varm/kald pakke forsøkelse", og venter med å lade til batteriet har passende temperatur. Etter dette skjer, vil laderen automatisk bytte over til pakkelademodus. Denne funksjonen sikrer maksimal levetid på batteriet. Det røde LED-lyset blinker i mønsteret indikert på merkelappen når varm/kald pakkeforsøkelse er oppdaget.

Problem strømtilførsel



Når laderen brukes med mobilt strømtilførsel slik som generatorer eller kilder som konverterer DC til AC, kan laderen stoppe opp midlertidig. LED-lyset blinker i mønsteret som er indikert på merkelappen. Dette indikerer at strømtilførselen ikke er tilgjengelig.

La batteriet være i laderen

Laderen og batteripakken kan forbli tilkoblet med lysende lampe i ubegrenset tid. Laderen vil holde batteripakken klar og fulladet.

Viktige merknader om laderen

- ◆ Lang levetid og best ytelse oppnås dersom batteripakken lades med lufttemperatur mellom 65°F og 75°F (18° - 24°C). IKKE lade batteripakken med lufttemperatur under +40 °F (+4,5 °C), eller over +105 °F (+40,5 °C). Dette er viktig og vil forhindre alvorlig skade på batteripakken.
- ◆ Laderen og batteripakken kan være varme å ta på under lading. Dette er normalt og er ikke et tegn på et problem. For å muliggjøre bedre kjøling av batteripakken etter bruk, unngå å oppbevare laderen i varme omgivelser slik som et metallskur eller en isolert trailer.
- ◆ Hvis batteripakken ikke lader slik den skal:
 - ◆ Kontroller strømmen i kontakten ved å sette inn en lampe eller et annet apparat.
 - ◆ Kontroller om stikkkontakten er koblet til en lysbryter som slår av strømmen når du slår av lyset.
 - ◆ Flytt laderen og batteripakken til et sted hvor omgivelsestemperaturen er omtrent 65°F - 75°F (18° - 24°C). Hvis ladeproblemene vedvarer, ta verktøyet, batteripakken og laderen til ditt lokale Stanley Fat Max servicesenter.
- ◆ Denne batteripakken må lades opp når den slutter å gi nok strøm til jobber som ble utført litt tidligere.
- ◆ I SÅ FALL, IKKE FORTSETT å bruke verktøyet. Følg ladeprosedyren.
- ◆ Du kan også lade opp en halvutladet pakke når som helst uten at det har noen effekt på batteripakken.

Sette inn og ta av batteripakke på verktøyet

Advarsel! Pass på at låseknappen er i bruk for å hindre utilsikket aktivering av bryteren før du tar ut eller setter inn et batteri.

Installere batteripakken

- ◆ Sett batteripakken godt inn i verktøyet til du hører et klikk som vist på figur A. Forsikre deg om at batteripakken sitter godt og er låst på plass.

Ta ut batteripakken

- ◆ Trykk på batteriutløserknappen (7) som vist på figur B og dra batteripakken ut av verktøyet.

Avtrekkerbryter og forover/bakover knapp - figur C

- ◆ Drillen slås PÅ og AV ved å dra og slippe avtrekkeren (1) som vist i figur C. Desto mer du trykker avtrekkeren, desto raskere går drillen.
- ◆ En kontrollknapp (2) for fremover/bakover bestemmer retningen på verktøyet og tjener også som låseknapp.

- ◆ For å velge rotasjon fremover, slipp avtrekkeren og trykk fremover/bakover kontrollknappen på høyresiden av verktøyet.
- ◆ For å velge bakover, trykk fremover/bakover kontrollknappen på venstre siden av verktøyet.
- ◆ Når kontrollknappen står i midten er verktøyet låst. Når du skifter kontrollknappens posisjon, påse at avtrekkeren er sluppet.

Justering av dreiemomentkontrollen - figur D

Dette verktøyet er utstyrt med en mansjett (3) for å velge bruksmodus og stille inn moment for å skru til skruer. Store skruer og arbeidsstykker i harde materialer krever høyere moment er små skruer og arbeidsstykker med bløte materialer.

- ◆ For boring i tre, metall og plast stilles mansjetten i stillingen med boresymbolet.
- ◆ Når apparatet brukes som skrutrekker, settes mansjetten i ønsket stilling. Hvis du ikke vet hva som er riktig innstilling ennå, går du frem slik:
 - ◆ Sett mansjetten i stillingen for laveste moment.
 - ◆ Skru til den første skruen.
 - ◆ Hvis koblingen lager en klikkelyd før du oppnår ønsket resultat, øker du innstillingen av mansjetten og fortsetter å stramme skruen.
 - ◆ Gjenta til du når korrekt innstilling.
 - ◆ Bruk denne innstillingen for de gjenværende skruene.

To-område bryter - figur E

To-trinns fasiliteten gjør det mulig å skifte gir og gir dermed større fleksibilitet.

- ◆ Når du skal velge lav hastighet og høyt dreiemoment (posisjon 1), skrur du verktøyet av og venter til det stopper. Skyv girskifterknappen (4) bort fra chucken.
- ◆ Når du skal velge høy hastighet og lavt dreiemoment (posisjon 2), skrur du verktøyet av og venter til det stopper. Skyv girskifterknappen mot chucken.

Merk: Ikke skift gir når verktøyet er i gang. Dersom du har problemer med å skifte gir, pass på at to-trinns girskifter er skjovet enten helt forover eller helt bakover.

nøkkelløs chuck - figur F

Advarsel! Pass på at batteripakken er fjernet for å hindre utilsikket aktivering av verktøyet før du setter på eller tar av utstyr. For å sette inn en drill-bit eller annet tilbehør:

- ◆ Hold i chucken (5), og dreii den mot klokken sett fra enden av chucken.
- ◆ Sett bor eller annet tilbehør helt inn i chucken, og stram godt til ved å vri chucken med klokken sett fra enden av chucken.

Advarsel! Ikke forsøk å stramme drill-bits (eller annet tilbehør) ved å gripe rundt fronten av chucken og deretter slå på verktøyet. Det kan oppstå skade på chucken og personskaade når tilbehør skiftes.

Skruing

- ◆ Når du setter inn skruer, skal knappen for fremover/bakover være skjøvet til venstre.
- ◆ Bruk reversknappen (knappen trykkes til høyre) for å ta ut skruer.

Merk: Når du skifter fra forover til revers, slipp alltid avtrekkeren først.

Boring

- ◆ Bruk kun skarpe drillbits.
- ◆ Støtt opp og fest arbeidsstykket godt, som angitt i sikkerhetsanvisningene.
- ◆ Bruk riktig og påkrevd sikkerhetsutstyr som anvist i sikkerhetsinstruksjonene.
- ◆ Sikre og vedlikeholde arbeidsområdet som beskrevet i sikkerhetsinstruksjonen.
- ◆ Kjør maskinen svært langsomt til hullet er dypt nok til å holde drillbiten fra å skli ut.
- ◆ Trykk i rett linje med boret. Bruk nok trykk til at boret biter, men ikke så mye at motoren stanser eller at boret skifter retning.
- ◆ Hold boremaskinen godt med begge hender, en hånd på håndtaket og den andre rundt bunnen rundt batteriet og ekstrahåndtaket, dersom montert.
- ◆ **IKKE KLIKK MED BRYTEREN PÅ ET FASTKJØRT VERKTØY PÅ OG AV FOR Å FORSØKE Å STARTE DET. BOREMASKINEN KAN BLI SKADET.**
- ◆ Reduser blokkering til et minimum ved gjennombrudd ved å redusere trykket og bore langsomt gjennom den siste delen av hullet.
- ◆ Hold motoren i gang mens du trekker boret ut av det borede hullet. Dette vil bidra til å redusere fastkjøring.
- ◆ Forsikre deg om at bryteren slår drillen på og av.

Boring i tre

Hull i tre kan bores med de samme spiralborene som brukes til metall, eller med flate bor. Disse borene bør være skarpe og bør trekkes ut ofte under boringen så spon kan fjernes fra furene i boret.

Bore i metall

Bruk et en skjærevæske for smøring ved boring i metall. Unntak er støpejern og messing som bør bores tørt. Smøremidlene som virker best, er svovelholdig skjæreeolje eller fettolje.

Bore i mur

Hvis du skal bore i mur, setter du kragen (3) til hammerdrillingsposisjon ved å rette symbolet med merkingen. Bruk murbor med karbidtupp. Se kapittel om boring. Bruk jevn kraft på drillen, men ikke så mye at du knekker det sprø materialet. En myk, jevn strøm av støv tyder på korrekt borehastighet.

LED-arbeidslampe

Når boremaskinen startes ved å trykke på avtrekkeren (1), vil den LED arbeidslampen (8) automatisk tennes og lyse opp arbeidsområdet.

Merk: Arbeidslyset er for å belyse den nærmeste arbeidsflaten, og er ikke ment å brukes som lykt.

Lagring av bits

På bunnen av verktøyet er det et spor (9) for lagring av bits.

Feilsøking

Problem	Mulig årsak	Mulig løsning
Enheten starter ikke.	Batteripakken er ikke satt inn riktig. Batteripakken er ikke ladet.	Kontroller innstillingen av batteripakken. Kontroller kravene til ladning av batteripakken
Enheten starter umiddelbart etter at batteriet er satt inn	Bryteren er satt i "på" posisjon.	Bryteren må være satt til "av" for å hindre at verktøyet starter straks når batteriet settes inn.
Batteripakken blir ikke ladet.	Batteripakken er ikke satt inn i laderen. Laderen er ikke satt i stikkontakten. Omgivelsestemperaturen er for varm eller kald.	Sett batteripakken inn i laderen til LED-lyset lyser. Sett laderen i en stikkontakt som virker. Flytt laderen og batteriet til et sted med lufttemperatur over 40 grader F (4,5°C) eller under 105 grader F (+40,5°C)
Enheten stopper brått.	Batteripakken har nådd sin maksimale temperaturgrense. Ikke oppladet. (For å få lengst mulig levetid på batteriet, er batteripakken designet for å slå seg av straks den er utladet)	La batteripakken kjøle seg. Sett i laderen og la den lade seg opp.

Vedlikehold

Stanley Fat Max-verktøyet ditt er konstruert for å være i drift over lengre tid med et minimum av vedlikehold. For at den skal fungere tilfredsstillende over tid, er det viktig å sørge for riktig stell og regelmessig renhold.

Laderen krever intet annet vedlikehold enn regelmessig rengjøring.

Advarsel! Før du utfører vedlikehold på verktøyet, må du fjerne batteriet fra verktøyet. Fjern laderen fra stikkontakten før du rengjør den.

- ◆ Rengjør ventilasjonsåpningene i verktøyet og laderen jevnlig med en myk børste eller tørr klut.

- ◆ Rengjør motorhuset regelmessig med en fuktig klut. Ikke bruk skurende eller løsemiddelbaserte rengjøringsmidler.
- ◆ Åpne chucken regelmessig, og bank på den for å fjerne eventuelt støv fra innsiden.

Totale vibrasjonsverdier (vektorsum fra tre retninger) bestemt i samsvar med EN 60745:

Boring i metall ($a_{h,D}$) <2,5 m/s², usikkerhet (K) 1,5 m/s²
 Slagboring i betong ($a_{h,D}$) 14,9 m/s², usikkerhet (K) 1,5 m/s²

Beskyttelse av miljøet



Separat avfallshåndtering. Produkter og batterier som er merket med dette symbolet skal ikke kastes sammen med vanlig husholdningsavfall.

Produkter og batterier inneholder materialer som kan gjenbrukes eller gjenvinnes for å redusere behovet for nye råmaterialer.

Vennligst lever elektrisk utstyr og batterier til gjenbruk i henhold til lokale retningslinjer. Mer informasjon finner du på www.2helpU.com.

Tekniske data

		FMC626
Spenning	V_{DC}	18 V
Ubelastet hastighet	Min^{-1}	0-350/0-1500
Maks. dreiemoment	Nm	47
Chuck kapasitet	mm	13
Maks. borekapasitet		
Ståll/tre/mur	mm	13/35/13
Vekt	kg	1,2

Lader		905998**	906086**
Inngangsspenning	V_{AC}	230	230
Utgangsspenning	V_{DC}	18	18
Strøm	mA	1000	2000
Omtrentlig ladetid	min	80-240	40-120

Batteri		FMC685L	FMC687L	FMC684L
Spenning	V_{AC}	18	18	18
Kapasitet	Ah	1,5	2,0	1,3
Type		Li-ion	Li-ion	Li-ion

Lydtrykknivå i henhold til EN 62841:

Lydtrykk (L_{pA}) 87,0 dB(A), usikkerhet (K) 5 dB(A)
 Lydeffekt (L_{WA}) 98,0 dB(A), usikkerhet (K) 5 dB(A)

EU-samsvarserklæring

MASKINERDIREKTIV



FMC626 - Trådløs slagboremaskin

Stanley Europe erklærer at disse produktene som er beskrevet under "Tekniske data", er i samsvar med: 2006/42/EC, EN62841-1:2015, EN62841-2-1:2018+A11:2019.

Disse produktene er også i samsvar med direktiv 2014/30/EU og 2011/65/EU.

Hvis du ønsker mer informasjon, kontakt Stanley Fat Max på følgende adresse, eller se på baksiden av bruksanvisningen.

Undertegnede er ansvarlig for utarbeidelsen av den tekniske dokumentasjonen og gir denne erklæringen på vegne av Stanley Fat Max.

Patrick Diepenbach

Patrick Diepenbach
 General Manager, Benelux
 Stanley Fat Max,
 Egide Walschaertsstraat 14-18
 2800 Mechelen, Belgia
 30/09/2021

Garanti

Stanley Fat Max er trygg på kvaliteten av produktene sine og tilbyr en 12 måneders garanti fra kjøpsdato. Denne garantien er et tillegg og endrer ikke dine rettigheter i henhold til loven. Garantien er gyldig innen områdene tilhørende medlemslandene i den Europeiske Union (EU) og det Europeiske Frihandelsområdet (EFTA).

For å ta garantien i bruk må kravet være i samsvar med kjøpsbetingelsene fra Stanley Fat Max og du må vise kjøps-

kvittering til forhandleren eller til et autorisert serviceverksted. Stanley Fat Max betingelser for 1 års garanti samt adressen til det nærmeste autoriserte servicesenteret kan du finne på internett under www.2helpU.com, eller ved å kontakte ditt lokale Stanley Fat Max kontor som angitt i denne bruksanvisningen.

Besøk våre nettsider på www.stanley.eu/3 for å registrere ditt nye Stanley Fat Max-produkt og for å få informasjon om nye produkter og spesialtilbud

Tilsigtet anvendelse

Din Stanley Fat Max FMC626 bore-/skruemaskine er designet til skruopgaver samt til boring i træ, metal, plastik og blødt murværk. Dette apparat er beregnet til erhvervsmæssige brugere og private ikke-erhvervsmæssige brugere.

Sikkerhedsvejledning

Generelle sikkerhedsadvarsler for elektrisk værktøj



Advarsel! Læs alle sikkerhedsadvarsler, instruktioner, illustrationer og specifikationer, der følger med dette elværktøj. Manglende overholdelse af de advarsler og instruktioner, der er anført nedenfor, kan medføre elektrisk stød, brand og/eller alvorlig personskade.

Gem alle advarsler og instruktioner for fremtidig reference. Termen "elværktøj" i advarslerne refererer til dit elektroniske (ledning) eller batteribetjente (trådløse) elværktøj.

1. Sikkerhed i arbejdsområdet

- Hold arbejdsområdet rent og ordentligt oplyst.** Rodede eller mørke områder giver anledning til ulykker.
- Brug ikke elværktøj i eksplosive omgivelser, f.eks. hvor der er brændbare væsker, gasser eller støv.** Elværktøj danner gnister, der kan antænde støv eller dampe.
- Hold børn og omkringstående på afstand, når der arbejdes med elværktøj.** Distractioner kan medføre, at du mister kontrollen.

2. El-sikkerhed

- Elværktøjets stik skal passe til kontakten. Stikket må aldrig modificeres på nogen måde. Undlad at bruge adapterstik sammen med (jordforbundet) elektrisk værktøj.** Umodificerede stik og dertil passende stikkontakter reducerer risikoen for elektrisk stød.
- Undgå kropskontakt med jordforbundne overflader som f.eks. rør, radiatorer, komfurer og køleskabe.** Der er øget risiko for elektrisk stød, hvis din krop er jordforbundet.
- Udsæt ikke elværktøj for regn, og brug det ikke, hvor omgivelserne er våde.** Hvis der trænger vand ind i et elektrisk værktøj, øges risikoen for elektrisk stød.
- Ledningen må ikke beskadiges. Brug aldrig ledningen til at bære, trække værktøjet eller trække det ud af stikkontakten.** Hold ledningen borte fra varme, olie, skarpe kanter og bevægelige dele. Beskadigede eller sammenfiltrede ledninger øger risikoen for elektrisk stød.
- Hvis elværktøj benyttes i det fri, skal der benyttes en**

forlængerledning, som er godkendt til udendørs brug.

Brug af en ledning, der er egnet til udendørs brug, reducerer risikoen for elektrisk stød.

- Brug en strømkilde med fejlstrømsrelæ, hvis det er nødvendigt at anvende elværktøj på fugtige steder.**

Ved at benytte en fejlstrømsafbryder reduceres risikoen for elektrisk stød.

3. Personikkerhed

- Vær opmærksom, hold øje med, hvad du laver, og brug elværktøjet fornuftigt. Betjen ikke værktøjet, hvis du er træt, påvirket af narkotika, alkohol eller medicin.** Et øjeblik uopmærksomhed under anvendelse af et elektrisk værktøj kan forårsage alvorlig personskade.
 - Brug personligt beskyttelsesudstyr. Bær altid beskyttelsesbriller.** Sikkerhedsudstyr, såsom støvmaske, skridsikre sikkerhedssko, sikkerhedshjelm eller hørevæm, brugt når omstændighederne foreskriver det, reducerer omfanget af personskader.
 - Forhindr utilsigtet start. Kontrollér, at afbryderkontakten står på slukket, inden værktøjet tilsluttes strømkilden og/eller batteriet, sammen op eller bæres.** Når elektrisk værktøj bæres med fingeren på kontakten eller tilsluttes, når kontakten er tændt, giver det anledning til ulykker.
 - Fjern indstillingsværktøj eller skruenøgle, inden elværktøjet startes.** En skruenøgle eller anden nøgle, der bliver siddende på en roterende del af elektrisk værktøj, kan give anledning til personskade.
 - Stræk dig ikke for langt. Hold hele tiden en god fodstilling og balance.** Dette giver bedre kontrol af det elektriske værktøj, når uventede situationer opstår.
 - Brug egnet arbejdstøj. Du skal ikke have løst tøj eller smykker på. Hold dit hår, tøj og handsker væk fra bevægelige dele.** Løstsiddende tøj, smykker eller langt hår kan blive fanget i bevægelige dele.
 - Hvis der kan monteres støvudsugnings- og opsamlingsudstyr, skal dette tilsluttes og benyttes korrekt.** Anvendelse af støvopsamlingsudstyr kan begrænse faren forårsaget af støv.
 - Lad ikke kendskab opnået gennem hyppig brug af værktøjer lade dig blive tilbagehænet og ignorere principper for værktøjsikkerhed.** En skødesløs handling kan forårsage alvorlig personskade inden for en brøkdelen af et sekund.
- #### 4. Brug og pleje af elektrisk værktøj
- Overbelast ikke elværktøjet. Brug det værktøj, der er bedst egnet til det arbejde, der skal udføres.** Værktøjet vil klare opgaven bedre og mere sikkert med den ydelse, som det er beregnet til.
 - Brug ikke elværktøjet, hvis afbryderkontakten er defekt.** Alt elektrisk værktøj, der ikke kan kontrolleres

- med kontakten, er farligt og skal repareres.
- c. **Træk stikket ud af stikkontakten og/eller batteriet inden indstilling, tilbehørsudskiftning eller opbevaring af elværktøjet.** Sådanne forebyggende sikkerhedsforanstaltninger mindsker risikoen for, at værktøjet startes utilsigtet.
 - d. **Opbevar ubenyttet elværktøj uden for børns rækkevidde. Lad aldrig personer, der ikke er fortrolige med elværktøjet, eller som ikke har læst denne vejledning, benytte maskinen.** El-værktøj er farligt i hænderne på personer, som ikke er instrueret i brugen deraf.
 - e. **Elværktøj skal vedligeholdes. Undersøg om bevægelige dele sidder skævt, binder eller er gået itu såvel som andre forhold, der kan påvirke betjeningen af elektriske værktøjer. Hvis det elektriske værktøj er beskadiget, skal det repareres før brug.** Mange ulykker er forårsaget af dårligt vedligeholdt værktøj.
 - f. **Hold skæreværktøj skarpt og rent.** Ordentligt vedligeholdt skæreværktøj med skarpe skærekanter har mindre tilbøjelighed til at binde og er lettere at styre.
 - g. **Brug elværktøjet, tilbehøret, indsatsværktøj osv. i overensstemmelse med disse instruktioner under hensyntagen til arbejdsforholdene og arbejdet, der skal udføres med værktøjet.** Brug af elektrisk værktøj til andre opgaver end dem, det er beregnet til, kan resultere i en farlig situation.
 - h. **Hold håndtag og gribeflader tørre, rene og fri for olie og fedt.** Glatte håndtag og gribeflader giver ikke mulighed for sikker håndtering og styring af værktøjet i uventede situationer.
5. **Brug og pleje af batteriværktøj**
 - a. **Genoplad kun med den oplader, som producenten har angivet.** En oplader, der passer til en type batteripakke, kan udgøre en risiko for brand, når den bruges til en anden type.
 - b. **Elværktøj må kun bruges med batteripakker, der er beregnet hertil.** Brugen af andre batteripakker kan medføre personskade og brand.
 - c. **Når batteripakken ikke er i brug, skal den holdes på afstand af andre metalgenstande, f.eks. papirclips, mønter, nøgler, søm, skruer og andre små metalgenstande, som kan skabe forbindelse mellem de to poler.** Kortslutning af batteriet kan forårsage forbrændinger eller brand.
 - d. **Under grove forhold kan væske sive ud fra batteriet; undgå kontakt. Hvis der opstår kontakt ved et uheld, skyl med vand. Hvis væske kommer ind i øjnene, søg omgående lægehjælp.** Væske, der siver ud fra batteriet, kan fremkalde irritationer eller forbrændinger.
 - e. **Anvend ikke en batteripakke eller et værktøj, der er beskadiget eller ændret.** Beskadigede eller ændrede

batterier kan udvise uforudsigelig adfærd og resultere i brand, eksplosion eller risiko for skader.

- f. **Udsæt ikke en batteripakke eller et værktøj for ild eller meget varme temperaturer.** Udsættelse for ild eller temperaturer over 130 °C kan medføre en eksplosion.
 - g. **Følg alle opladningsinstruktionerne og oplad ikke batteripakken eller værktøjet uden for det temperaturområde, der er anført i instruktionerne.** Forkert opladning eller opladning ved temperaturer uden for det specificerede område kan beskadige batteriet og øge risikoen for brand.
6. **Service**
 - a. **Lad kun kvalificerede fagfolk reparere elværktøjet og benyt kun originale reservedele.** Derved sikres det, at værktøjets driftssikkerhed opretholdes.
 - b. **Udfør aldrig service på beskadigede BATTERI-pakker.** Service af BATTERI-pakker må kun udføres af producenten eller autoriserede serviceudbydere.

Ekstra sikkerhedsadvarsler for elektrisk værktøj



Advarsel! Yderligere sikkerhedsadvarsler for skruetrækkere.

- ◆ Hold kun fast i det elektriske værktøj på de isolerede håndtagsflader, når der skal saves i emner, hvor skæreværktøjet kan berøre skjulte ledninger. Kommer skæreværktøjet i kontakt med en "strømførende ledning", kan blottagte metaldele på el-værktøjet gøres strømførende og give stød til brugeren.
- ◆ **Bær høreværn ved slagboring.** Udsættelse for støj kan medføre høretab.
- ◆ **Brug de ekstra håndtag, der følger med værktøjet.** Hvis du mister kontrol, kan det medføre kvæstelser.
- ◆ **Støt værktøjet korrekt inden brug.** Dette værktøj producerer et højt udgangsmoment, og uden korrekt støtte af værktøjet under drift kan der forekomme tab af kontrol, hvilket resulterer i personskade.

Sikkerhedsinstruktioner ved brug af lange borehoveder

- ◆ **Arbejd aldrig ved højere hastighed end borehovedets nominelle maks. hastighed.** Ved højere hastigheder vil boret sandsynligvis blive bøjet, hvis det roterer frit uden at komme i kontakt med arbejdsemnet, hvilket resulterer i personskade.
- ◆ **Begynd altid at bore ved lav hastighed, og med borspidsen i kontakt med arbejdsemnet.** Ved højere hastigheder vil boret sandsynligvis blive bøjet, hvis det roterer frit uden at komme i kontakt med arbejdsemnet, hvilket resulterer i personskade.
- ◆ **Påfør kun tryk i direkte linje med boret, og påfør ikke for meget tryk.** Bor kan bøje, hvilket forårsager

ødelæggelse eller tab af kontrol, som kan resultere i personskade.

- ◆ **Brug klamper eller en anden praktisk metode til at fastgøre og støtte arbejdsområdet på en stabil platform.** Hvis du holder arbejdsområdet med hånden eller mod din krop, bliver det ustabilt og kan føre til tab af kontrol.
- ◆ **Inden du indsætter fastgørelsesenheder i vægge, gulve eller lofter, skal du kontrollere placeringen af ledninger og rør.**
- ◆ **Den tilsigtede anvendelse er beskrevet i denne betjeningsvejledning.**
- ◆ **Hvis der udføres andre opgaver end dem, der anbefales i denne instruktionsvejledning, kan det udgøre en risiko for personskade og/eller beskadigelse af ejendom.**

Andres sikkerhed

- ◆ Dette værktøj må ikke bruges af personer (herunder børn) med nedsatte fysiske, sensoriske eller mentale evner eller manglende erfaring og viden, medmindre de er under opsyn eller er blevet instrueret i brug af værktøjet af en person, der er ansvarlig for deres sikkerhed.
- ◆ Børn skal holdes under opsyn, så det sikres, at de ikke leger med værktøjet.

Restrisici

Der kan opstå yderligere, tilbageværende risici under brugen af værktøjet, som muligvis ikke behandles i de vedlagte sikkerhedsadvarsler. Disse risici kan opstå som følge af forkert brug, langvarigt brug osv.

På trods af overholdelsen af de relevante sikkerhedsregler og brug af sikkerhedsudstyr kan visse restrisici ikke undgås. Disse omfatter:

- ◆ Tilskadekomst forårsaget af berøring af roterende/bevægelige dele.
- ◆ Kvæstelser som følge af udskiftning af dele, blade eller tilbehør.
- ◆ Kvæstelser som følge af langvarig brug af et værktøj. Når du bruger et værktøj i længere perioder, skal du sørge for at holde regelmæssige pauser.
- ◆ Hørenedsættelse.
- ◆ Sundhedsrisici forårsaget af indånding af støv, der genereres ved brug af dit apparat (eksempel: arbejde med træ, især eg, bøg og MDF).

Vibration

De angivne værdier for udsendelse af vibration anført under de tekniske data og overensstemmelseserklæringen er målt i henhold til standardtestmetoden i EN 62841 og kan bruges til at sammenligne ét værktøj med et andet. Den deklarerede vibrationsemissionsværdi kan også anvendes i en foreløbig vurdering af eksponeringen.

Advarsel! Vibrationsemissionsværdien kan under faktisk brug af elværktøjet afvige fra den angivne værdi afhængigt af de måder, hvorpå værktøjet anvendes. Vibrationsniveauet kan stige til over det angivne niveau.

Ved vurdering af vibrationseksponeringen til at fastlægge de sikkerhedsforanstaltninger, der kræves af 2002/44/EC for at beskytte personer der regelmæssigt benytter elværktøj på arbejde, bør en vurdering af vibrationseksponeringen overvejes, de faktiske anvendelsesbetingelser og den måde, hvorpå værktøjet anvendes, herunder under hensyntagen til alle dele af driftscyklussen som f.eks. de tidspunkter, hvor værktøjet er slukket, og når det kører i tomgang, udover udløsningstiden.

Mærkatere på værktøjet

Værktøjet er forsynet med følgende advarselssymboler samt datokoden:



Advarsel! For at reducere risikoen for personskade bør du læse betjeningsvejledningen.



Bær høreværn ved slagboring. Udsættelse for støj kan medføre høretab.



Kig ikke ind i lampen, når den er tændt.

Yderligere sikkerhedsvejledninger for batterier og ladere (følger ikke med værktøjet)

Batterier

- ◆ Forsøg aldrig at åbne den af en eller anden grund.
- ◆ Batteriet må ikke udsættes for fugt.
- ◆ Må ikke opbevares på steder, hvor temperaturen kan overstige 40 °C.
- ◆ Oplad kun ved omgivelsestemperaturer på mellem 10 °C og 40 °C.
- ◆ Oplad kun ved hjælp af den medfølgende lader.
- ◆ Følg ved bortskaffelse af batterier vejledningen i afsnittet "Miljø".



Forsøg ikke at oplade beskadigede batterier.

Opladere

- ◆ Brug kun din Stanley Fat Max-lader til at oplade batteripakken i det værktøj, som den blev leveret sammen med. Andre batterier kan eksplodere og forårsage personskade og materiel skade.
- ◆ Prøv aldrig på at oplade ikke-opladelige batterier.
- ◆ Udskift straks defekte ledninger.
- ◆ Laderen må ikke udsættes for fugt.

- ◆ Laderen må ikke åbnes.
- ◆ Undersøg ikke laderen.



Opladeren er kun beregnet til indendørs brug.



Læs brugervejledningen, før værktøjet tages i brug.

El-sikkerhed



Opladeren er dobbelt isoleret. Derfor er en jordledning ikke nødvendig. Kontroller altid, at netspændingen svarer til spændingen på typeskiltet. Forsøg aldrig at erstatte opladerenheden med et almindeligt netstik.

- ◆ Hvis netledningen beskadiges, skal den udskiftes af producenten eller et autoriseret Stanley Fat Max-værksted, så farlige situationer undgås.

Funktioner

Dette apparat leveres med nogle af eller alle de følgende funktioner.

1. Startknap
2. Forlæns-/baglænsknap
3. Momentjusteringsring
4. Dobbeltområdegearvælger
5. Patron uden nøgle
6. Batteri
7. Batteriets udløsningsknap
8. LED-arbejdslys
9. Borspidsholder

Brug

Advarsel! Lad værktøjet arbejde i sit eget tempo. Overbelast det ikke.

Opladning af batteriet

Batteriet skal oplades inden ibrugtagningen, og når det ikke leverer strøm nok til opgaver, der tidligere kunne udføres ubesværet. Batteriet kan blive varmt under opladningen. Det er normalt og ikke tegn på problemer.

Advarsel! Oplad ikke batteriet ved omgivende temperaturer på under 10 °C eller over 40 °C. Den anbefalede opladningstemperatur er ca. 24 °C.

Bemærk: Opladeren oplader ikke et batteri, hvis dets temperatur er under ca. 10°C eller over 40°C.

Batteriet bør blive siddende i opladeren, som automatisk begynder opladningen, når batteriet opvarmes/afkøles.

- ◆ Indsæt opladeren i en passende udgang, før batteripakken indsættes.
- ◆ Indsæt batteripakken i opladeren.



Den grønne LED blinker for at vise, at batteriet oplades.



Når opladningen er færdig, vil det blive angivet af den grønne LED, som vil lyse konstant. Pakken er fuldt opladet og kan nu anvendes eller kan efterlades i opladeren.

Advarsel! Genoplad afladede batterier så hurtigt som muligt efter brug, da batteriets levetid ellers kan blive stærkt formindsket.

Fejlfinding ved opladeren

Denne oplader er udviklet til at registrere visse problemer, der kan opstå med batteripakker eller strømkilden. Problemerne angives med et LED blink i forskellige mønstre.

Dårligt batteri



Opladeren kan registrere et svagt eller beskadiget batteri. Det røde LED blinker i det mønstre, der er angivet på mærkaten. Hvis du ser dette dårlige batteriblinkmønster, forsæt ikke med at oplade batteriet. Returnér det til et servicecenter eller til et indsamlingssted til genbrug

Varm/kold pakkeforsinkelse



Når opladeren registrerer et batteri, der er alt for varmt eller alt for koldt, starter den automatisk en varm/kold pakkeforsinkelse og indstiller opladningen, indtil batteriet er blevet normaliseret. Efter dette er sket, skifter opladeren automatisk til pakkeopladningsfunktionen. Denne funktion sikrer maksimal batterilevetid. Det røde LED blinker i det mønstre, der er angivet på mærkaten, når varm/kold pakkeforsinkelsen registreres.

Problem med elledning



Når opladeren bruges med bærbare strømkilder som f.eks. generatorer eller kilder, der konverterer jævnstrøm til vekselstrøm, kan opladeren midlertidigt suspendere driften. LED blinker i det mønster der er angivet på mærkaten. Dette indikerer, at strømkilden er over grænseværdien.

Efterlade batteriet i opladeren

Du kan lade batteripakken sidde i opladeren med tændt LED, så længe det ønskes. Opladeren holder batteripakken klar og fuldt opladet.

Vigtige bemærkninger om opladning

- ◆ Den længste levetid og bedste ydeevne kan opnås, hvis batteripakken oplades, når lufttemperaturen er mellem 18°C (65°F) og 24°C (75°F). Oplad IKKE batteripakken i en lufttemperatur under +4,5 °C (+40 °F), eller over +40,5 °C (+105 °F). Dette er vigtigt og vil forhindre alvorlig beskadigelse af batteripakken.
- ◆ Opladeren og batteripakken kan blive for varm at røre ved under opladning. Dette er normalt og angiver ikke et problem. For at lette køling af batteripakken efter brug, undgå at placere opladeren eller batteripakken i varme omgivelser, som f.eks. i et metalskur eller i en uisole-ret trailer.
- ◆ Hvis batteripakken ikke oplades ordentligt:
 - ◆ Kontroller strømstikket ved at tilslutte en lampe eller et andet apparat.
 - ◆ Kontrollér, om der er forbindelse i stikdåsen ved at tilslutte en lampe til den, og derefter om strømmen bliver slået fra, når du slukker for lyset.
 - ◆ Flyt opladeren og batteripakken til et sted, hvor den omgivende lufttemperatur er ca. 18 °C - 24 °C (65 °F - 75 °F). Hvis der stadig er opladningsproblemer, tag værktøjet, batteripakken og opladeren til dit lokale Stanley Fat Max servicecenter.
- ◆ Batteripakken skal genoplades, når den ikke forsyner med tilstrækkelig strøm til de opgaver, som tidligere let blev udført.
- ◆ FORTSÆT IKKE med at bruge den under disse forhold. Følg opladningsproceduren.
- ◆ Du kan også oplade en delvist brugt pakke, når du ønsker det uden nogen negativ indflydelse på batteripakken.

Indsættelse og udtagning af batteripakken fra værktøjet

Advarsel! Sørg for, at låsekappen er aktiveret, for at forhindre utilsigtet aktivering af startknappen inden afmontering eller isætning af et batteri.

Sådan installeres batteripakken

- ◆ Indsæt batteripakken helt ind i værktøjet, indtil du hører et klik som vist i figur A. Kontrollér at batteripakken sidder godt fast og er helt låst i position.

Sådan udtages batteripakken

- ◆ Tryk batteriets udløserknop (7) ned som vist i figur B og træk batteripakken ud af værktøjet.

Udløserkontakt & forlæns-/baglænsknop - figur C

- ◆ Boret slås til og fra ved at trække og slippe udløserkontakten (1) som vist i figur C. Jo mere der trykkes på udløseren, jo højere bliver borets hastighed.
- ◆ En forlæns/baglæns styreknop (2) bestemmer værktøjets rotationsretning og virker også som en startspærreknop.
- ◆ Du vælger forlæns rotation ved at udløse udløserkontakten og trykke på forlæns/baglæns reguleringsknappen på højre side af værktøjet.
- ◆ Du vælger omvendt ved at trykke på forlæns/baglæns reguleringsknappen på venstre side af værktøjet.
- ◆ Midterpositionen på styreknappen låser værktøjet i off position. Når positionen på styreknappen ændres, sørg for at udløseren er udløst.

Justering af styring af drejemoment - figur D

Dette værktøj er udstyret med en krave til justering af drejemomentet (3) til valg af driftsfunktion og til indstilling af drejemomentet for fastspændingsskruer. Store skruer og hårde materialer kræver en højere indstilling af moment end små skruer og bløde materialer.

- ◆ Ved boring i træ, metal og plastic skal ringen indstilles på boresymbolet.
- ◆ Ved skrueopgaver skal ringen indstilles på den ønskede position. Gå frem på følgende måde, hvis du er usikker på den rigtige position:
 - ◆ Indstil ringen på den laveste momentposition.
 - ◆ Skru den første skrue i.
 - ◆ Hvis det ønskede resultat ikke opnås, skal du øge ringens indstilling og fortsætte med at skrue skruen i.
 - ◆ Gentag fremgangsmåden, indtil du finder den rigtige indstilling.
 - ◆ Brug samme indstilling til de andre skruer.

Dobbelt områdekontakt- figur E

Den dobbelte områdefunktion på din boremaskine gør det muligt for dig at skifte gear til større alsidighed.

- ◆ Til valg af lav hastighed, indstilling af højt drejemoment (position 1), slå værktøjet fra og tillad at stoppe. Skub gearskifterknappen (4) tilbage fra patronen.
- ◆ Til valg af høj hastighed, indstilling af lavt drejemoment (position 2), slå værktøjet fra og tillad at stoppe. Skub gearskifterknappen tilbage imod patronen.

Bemærk: Skift ikke gear når værktøjet kører. Hvis du har problemer med at skifte gear, sørg for at den dobbelte områdegearskifterknap enten er skubbet helt fremad eller helt tilbage.

patron uden nøgle - figur F

Advarsel! Sørg for at batteripakken er fjernet, så aktivering af værktøjet forhindres inden montering eller afmontering af tilbehør.

Sådan indsætter du et borehoved eller andet tilbehør:

- ◆ Grib fat om patronen (5) og drej den mod uret set fra enden af patronen.
- ◆ Sæt boret eller andet tilbehør helt ind i patronen og fastgør den godt ved at dreje patronen med uret som set fra enden af patronen.

Advarsel! Forsøg ikke at stramme eller løsne borehoveder (eller andet tilbehør) ved at gribe fat i den forreste del af patronen og dreje værktøjet. Ved udskiftning af tilbehør kan der ske beskadigelse af patronen og personskaade.

Skruerboring

- ◆ Ved inddrivning af fastgørelser skal forlæns-/baglænsknappen skubbes til venstre.
- ◆ Brug baglænsknappen (knap skubbet til højre) for udtagning af fastgørelser.

Bemærk: Når flytning fra fremad til bagud eller omvendt, udløs altid først udløserkontakten.

Boring

- ◆ Brug kun skarpe borehoveder.
- ◆ Understøt og sikr arbejdet korrekt som instrueret i sikkerhedsinstruktionerne.
- ◆ Brug passende og nødvendigt sikkerhedsudstyr, som instrueret i sikkerhedsinstruktionerne.
- ◆ Kontrollér og oprethold arbejdsområdet som instrueret i sikkerhedsinstruktionerne.
- ◆ Kør boret meget langsomt ved hjælp af et let tryk, indtil hullet startes tilstrækkeligt til at holde boret fra at glide ud af det.
- ◆ Øg trykket i lige linje med boret. Tryk tilstrækkeligt til, at boret stadig arbejder, men ikke så meget, at motoren bremses, eller boret afbøjes.
- ◆ Hold boret fast med to hænder, en hånd på håndtaget og den anden på bunden omkring batteriområdet eller på hjælpehåndtaget, hvis det er monteret.

◆ KLIK IKKE PÅ UDLØSEREN PÅ ET STOPPET BOR TIL OG FRA I ET FORSØG PÅ AT STARTE DET. RESULTATET KAN BLIVE BESKADIGELSE AF BORET.

- ◆ Minimér motorstop ved gennembrud ved at reducere trykket og bor langsomt gennem den sidste del af hullet.
- ◆ Lad motoren køre, mens du trækker boret ud af et borehul. Det mindsker risikoen for, at det sidder fast.
- ◆ Kontrollér at kontakten slår boret til og fra.

Boring i træ

Der kan bores huller i træ med samme spiralbor, der bruges til metal, eller med fladbor. Borene skal være skarpe, og de skal hyppigt tækkes ud under boringen for at fjerne spåner fra borespiralen.

Boring i metal

Brug et skæreoliesmøremiddel ved boring af metaller. Undtagelserne er støbejern og messing, der skal tørbores. De smøremidler, der fungerer bedst, er svovlet skæreolie.

Boring i murværk

For at bore i murværk skal du indstille kraven (3) til hammerborefunktionen ved at flugte symbolet med mærket. Brug murbor med spids af hårdmetal. Se afsnittet om boring. Hold et jævnt tryk på boremaskinen, men ikke så meget, at skrøbelige materialer revner. En jævn støvudstrømning angiver korrekt borehastighed.

LED-arbejdslys

Når boret er aktiveret ved træk i udløserkontakten (1), vil det integrerede LED arbejdslys (8) automatisk oplyse arbejdsområdet.

Bemærk: Arbejdslyset er til belysning af den aktuelle arbejds-overflade og er ikke beregnet til brug som en lommelygte.

Opbevaring af borspids

En lille til opbevaring af bor (9) er indbygget nederst i værktøjet.

Fejlsøgning

Problem	Mulig årsag	Mulig løsning
Enheden vil ikke starte.	Batteripakken er ikke installeret korrekt. Batteriet er ikke opladet.	Kontroller installationen af batteripakken. Kontroller kravene til opladning af batteriet
Enheden starter straks efter indsættelse af batteri	Kontakten er blevet efterladt i "on" position.	Kontakten skal være flyttet til "off" for at forhindre, at værktøjet starter, lige så snart batteriet er indsat.

Problem	Mulig årsag	Mulig løsning
Batteriet kan ikke oplades.	Batteripakken er ikke sat i opladeren. Opladeren er ikke tilsluttet. Omgivende lufttemperatur for varm eller for kold.	Indsæt batteripakken i opladeren, indtil LED lyser. Tilslut opladeren til en fungerende stikkontakt. Flyt opladeren og batteripakken til en omgivende lufttemperatur på over 45° C (40 grader F) eller under +40,5° C (105 grader F)
Enheden slukker brat.	Batteripakken har nået sin maksimale termiske grænse. Ude af opladning. (For at maksimere batteripakkens levetid er den designet til brat at slukke, når opladningen er opbrugt)	Lad batteripakken køle ned. Anbring den på opladeren og lad den lade op.

Vedligeholdelse

Dit Stanley Fat Max-værktøj er beregnet til brug gennem lang tid med et minimum af vedligeholdelse. Vedvarende tilfredsstillende funktion er afhængig af, om værktøjet plejes korrekt og rengøres regelmæssigt.

Din oplader kræver ingen vedligeholdelse bortset fra regelmæssig rengøring.

Advarsel! Tag batteriet ud af værktøjet, inden der foretages vedligeholdelse på værktøjet. Træk opladeren ud af stikkontakten, før den rengøres.

- ◆ Rens jævnligt værktøjets og opladerens ventilationshuller med en blød børste eller en tør klud.
- ◆ Rengør med jævne mellemrum motorhuset med en fugtig klud.
Brug ikke et slibende eller opløsningsmiddel-baseret rengøringsmiddel.
- ◆ Åbn jævnligt patronen, og bank på den for at fjerne støv indvendigt.

Miljøbeskyttelse



Særskilt bortskaffelse. Produkter og batterier mærket med dette symbol må ikke bortskaffes sammen med normalt husholdningsaffald.

Produkter og batterier indeholder materialer, der kan blive gendannet eller genanvendt og således reducere efterspørgslen efter råvarer.

Genbrug venligst elektriske produkter og batterier i henhold til lokale regulativer. Yderligere informationer findes på www.2helpU.com.

Tekniske data

FMC626		
Spænding	V_{DC}	18 V
Omdrejningstal ved ingen belastning	Min^{-1}	0-350/0-1500
Maks. moment	Nm	47
Patronkapacitet	mm	13
Maks. borekapacitet		
Stål/træ/murværk	mm	13/35/13
Vægt	kg	1,2

Oplader	905998**	906086**
Indgangsspænding	V_{AC} 230	230
Udgangsspænding	V_{DC} 18	18
Strømstyrke	mA 1000	2000
Ca. opladningstid	Min. 80-240	40-120

Batteri	FMC685L	FMC687L	FMC684L
Spænding	V_{AC} 18	18	18
Kapacitet	Ah 1,5	2,0	1,3
Type	Li-Ion	Li-Ion	Li-Ion

Lydtrykniveau i henhold til EN 62841:

Lydtryk (L_{pA}) 87,0 dB(A), usikkerhed (K) 5 dB(A)

Lydstrøkke (L_{WA}) 98,0 dB(A), usikkerhed (K) 5 dB(A)

Samlede værdier for vibration (triaksial vektorsum) i henhold til EN 60745:

Boring i metal ($a_{h,D}$) <2,5 m/s², usikkerhed (K) 1,5 m/s²

Slagboring i beton ($a_{h,D}$) 14,9 m/s², usikkerhed (K) 1,5 m/s²

EF-overensstemmelseserklæring

MASKINDIREKTIV



FMC626 - Ledningsfri slagboremaskine

Stanley Fat Max erklærer, at produkterne beskrevet under "Tekniske data" er i overensstemmelse med: 2006/42/EF EN62841-1:2015, EN62841-2-1:2018+A11:2019.

Disse produkter opfylder også direktiv 2014/30/EU og 2011/65/EU.

Kontakt Stanley Fat Max på nedenstående adresse, eller se vejledningens bagside for at få flere oplysninger.

Undertegnede er ansvarlig for udarbejdelsen af den tekniske fil og fremsætter denne erklæring på vegne af Stanley Fat Max.



Patrick Diepenbach
Administrerende direktør, Benelux
Stanley Fat Max,
Egide Walschaertsstraat 14-18
2800 Mechelen, Belgien
30/09/2021

Garanti

Stanley Fat Max er sikker på kvaliteten af sine produkter og giver forbrugerne en garanti på 12 måneder fra købsdatoen. Garantien er et tillæg til forbrugerens lovmæssige rettigheder og påvirker ikke disse. Garantien er gyldig inden for medlemsstaterne af Den Europæiske Union og Det Europæiske Frihandelsområde.

Når du gør krav på garantien, skal kravet være i overensstemmelse med Stanley Fat Max vilkår og betingelser, og du skal indsende dokumentation for købet til sælgeren eller til en autoriseret reparatør. Vilkår og betingelser for Stanley Fat Max 1 års garanti og placeringen af dit nærmeste autoriserede serviceværksted kan fås på internettet på www.2helpU.com, eller ved at kontakte dit lokale Stanley Fat Max kontor på den adresse, der er angivet i denne vejledning.

Besøg venligst vores websted www.stanley.eu/3 for at registrere dit nye Stanley Fat Max-produkt og modtage opdateringer om nye produkter og specielle tilbud

Käyttötarkoitus

Stanley Fat Max FMC626 pora/ruuvinväännin on tarkoitettu ruuvien kiinnittämiseen sekä puun, metallin, muovin ja pehmeän betonin poraamiseen. Laite on tarkoitettu sekä ammattikäyttöön että yksityiskäyttöön.

Turvaohjeet

Sähkötyökalun yleiset turvallisuusvaroitukset



Varoitus! Lue kaikki tämän laitteen mukana toimitetut varoitukset, käyttöohjeet, kuvat ja tekniset tiedot. Jos alla olevia varoituksia ja ohjeita ei noudateta, on olemassa sähköiskun, tulipalon ja/tai vakavan henkilövahingon vaara.

Tallenna kaikki varoitukset ja ohjeet myöhempää tarvetta varten. Kaikissa alla olevissa varoituksissa on käytettävä sähkötyökaluilmaus viittaa verkkovirtaan yhdistettävään tai akkukäyttöiseen työkaluun.

1. Työalueen turvallisuus

- Pidä työalue puhtaana ja varmista sen hyvä valaistus.** Onnettomuuksia sattuu herkemmin epäsiistissä tai huonosti valaistussa ympäristössä.
- Älä käytä sähkötyökalua räjähdysalttiissa ympäristössä, jossa on syttyvää nestettä, kaasua tai pölyä.** Sähkötyökalujen aiheuttamat kipinät voivat sytyttää pölyn tai kaasut.
- Pidä lapset ja sivulliset loitolla sähkötyökalua käytettäessäsi.** Keskittymiskyvyn herpaantuminen voi aiheuttaa hallinnan menettämisen.

2. Sähköturvallisuus

- Sähkötyökalun pistokkeen on sovitava pistorasiaan. Älä koskaan tee pistokkeeseen mitään muutoksia. Älä yhdistä maadoitettua sähkötyökalua jatkojohtoon.** Sähköiskun vaara vähenee, jos pistokkeisiin ei tehdä muutoksia ja ne yhdistetään vain niille tarkoitettuihin pistorasioihin.
- Vältä koskettamasta maadoitettuja pintoja, kuten putkia, lämpöpattereita, liesiä tai jääkaappeja.** Voit saada sähköiskun, jos kehoasi on maadoitettu.
- Älä altista sähkötyökalua sateelle tai kosteudelle.** Sähkötyökaluun menevä vesi lisää sähköiskun vaaraa.
- Älä käsittele virtajohtoa kovakouraisesti. Älä kannata sähkötyökaluja sähköjohdosta tai vedä pistoketta pistorasiasta sähköjohdon avulla. Pidä sähköjohto kaukana kuumuudesta, öljystä, terävistä reunoista tai liikkuvista osista.** Vaurioituneet tai soikeutuneet johdot lisäävät sähköiskun vaaraa.

- Käyttäessäsi sähkötyökalua ulkona käytä ainoastaan ulkokäyttöön soveltuvaa jatkojohtoa.** Ulkokäyttöön tarkoitettun sähköjohdon käyttäminen vähentää sähköiskun vaaraa.
- Jos sähkötyökalua on välttämättä käytettävä kosteassa paikassa, käytä vikavirtasuojalla (RCD) suojattua virtälähdettä.** Tämä vähentää sähköiskun vaaraa.

3. Henkilökohtainen turvallisuus

- Ole valpas, keskity työhön ja noudata tervettä järkeä sähkötyökalun käytössä. Älä käytä tätä sähkötyökalua ollessasi väsynyt tai alkoholin, huumeiden tai lääkkeiden vaikutuksen alaisena.** Keskittymisen herpaantuminen hetkeksikin sähkötyökalua käytettäessä voi aiheuttaa vakavan henkilövahingon.
- Käytä henkilökohtaisia suojavarusteita. Käytä aina suojalaseja.** Hengityssuojaimen, liukumattomien turvajalkineiden, kypärän ja kuulosuojaimen käyttäminen vähentää henkilövahinkojen vaaraa.
- Vältä tahatonta käynnistämistä. Varmista, että virtakytkin on OFF-asennossa, ennen kuin kytket sähkötyökalun pistorasiaan, yhdistät siihen akun, nostat sähkötyökalun käteesi tai kannat sitä.** Sähkötyökalun kantaminen sormi virtakytkimellä lisää onnettomuusvaaraa.
- Irrota mahdollinen säätö- tai kiintoavain ennen kuin käynnistät sähkötyökalun.** Sähkötyökalun pyöriivään osaan jäänyt säätöavain tai väännin voi aiheuttaa henkilövahingon.
- Älä kurkota. Huolehdi siitä, että sinulla on koko ajan tukeva jalansija ja hyvä tasapaino.** Näin voit hallita sähkötyökalua paremmin odottamattomissa tilanteissa.
- Käytä tarkoitukseen soveltuvia vaatteita. Älä käytä löysiä vaatteita tai koruja. Pidä hiukset, vaatteet ja kädet loitolla liikkuvista osista.** Löysät vaatteet, korut tai pitkät hiukset voivat tarttua liikkuviin osiin.
- Jos työkalun voi liittää pölynimuriin, tarkista, että liitos on tehty asianmukaisesti ja että laitteita käytetään oikealla tavalla.** Pölyn ottaminen talteen voi vähentää pölyn aiheuttamia vaaroja.
- Älä anna työkaluista saadun käyttökokemuksen aiheuttaa liiallista itsevarmuutta; työkalun turvallisuusohjeita tulee aina noudattaa.** Huolimaton käyttö voi aiheuttaa vakavia henkilövahinkoja sekunnin murto-osassa.

4. Sähkötyökalusta huolehtiminen

- Älä ylikuormita sähkötyökalua. Valitse käyttötarkoituksen kannalta oikea sähkötyökalu.** Sähkötyökalu toimii paremmin ja turvallisemmin, kun sitä käytetään sille suunniteltuun käyttötarkoitukseen.

- b. Älä käytä sähkötyökaluja, jota ei voida käynnistää ja pysäyttää virtakytkimestä. Jos sähkötyökaluja ei voi hallita kytkimen avulla, se on vaarallinen ja se on korjattava.
- c. Irrota pistotulppa pistorasiasta ja/tai akku laitteesta ennen kuin suoritat säätöjä, vaihdat tarvikkeita tai siirät sähkötyökulun varastoitavaksi. Näin voit vähentää vahingossa käynnistymisen aiheuttaman henkilövahingon vaaraa.
- d. Säilytä sähkötyökalu poissa lasten ulottuvilta, kun niitä ei käytetä. Älä anna sähkötyökalu sellaisen henkilön käyttöön, joka ei tunne sitä tai joka ei ole tutustunut tähän käyttöohjeeseen. Sähkötyökalu ovat vaarallisia kouluttamattomien käyttäjien käsissä.
- e. Hoida sähkötyökalu huolella. Tarkista liikkuvat osat, niiden kiinnitys, osien eheys ja muut koneen toimintaan vaikuttavat tekijät. Jos havaitset vaurioita, korjauta sähkötyökalu ennen niiden käyttämistä. Huonosti kunnossapidetyt sähkötyökalu aiheuttavat onnettomuuksia.
- f. Pidä leikkausterät terävinä ja puhtaina. Kunnossa pidettyjen leikkaavia teräviä reunoja sisältävien työkalut todennäköisyys jumiutua vähenee, ja niitä on helpompi hallita.
- g. Käytä sähkötyökaluja, tarvikkeita, vaihtoteriä yms. näiden ohjeiden mukaisesti. Ota tällöin huomioon työolosuhteet ja suoritettava toimenpide. Jos sähkötyökalu käytetään näiden ohjeiden vastaisesti, voi syntyä vaaratilanne.
- h. Varmista, että kahvat ja kädensijat ovat kuivia, puhtaita ja öljyttömiä sekä rasvattomia. Liukkaat kahvat ja pinnat heikentävät työkalun hallinnan ja ohjauksen turvallisuutta odottamattomissa tilanteissa.
5. Akkutyökulun käyttö ja huolto
- a. Lataa akku vain valmistajan määrittelemällä laturilla. Laturi, joka on sopiva yhden tyyppiselle akulle, voi aiheuttaa tulipalon vaaran, jos sitä käytetään toisen tyyppisellä akulla.
- b. Käytä sähkötyökaluissa ainoastaan kyseiseen sähkötyökaluun tarkoitettua akkua. Muun tyyppisen akun käyttö saattaa johtaa loukkaantumiseen ja tulipaloon.
- c. Pidä irrallinen akku loitolla metalliesineistä, kuten paperiliittimistä, kolikoista, avaimista, nauloista, ruuveista tai muista pienistä metalliesineistä, jotka voivat aiheuttaa oikosulun akun navoissa. Kennon pinteiden oikosulku voi aiheuttaa palovammoja tai tulipalon.
- d. Väärin käytetyistä akusta voi vuotaa nestettä. Älä kosketa sitä. Jos nesteen kanssa joutuu kosketuksiin, huuhtelee vedellä. Jos nestettä joutuu silmiin, hakeudu lisäksi lääkärin hoitoon. Akusta ruisunut neste saattaa aiheuttaa ärsytystä tai palovammoja.
- e. Vaurioitunutta tai muokattua akkua tai laitetta ei saa käyttää. Vaurioituneissa tai muokatuissa akuissa voi esiintyä odottamattomia häiriöitä, jotka voivat aiheuttaa tulipaloja, räjähdysvaaroja tai henkilövahinkoja.
- f. Akku ja laite tulee suojata tulelta sekä liian korkealta lämpötilalta. Mikäli akku altistuu tullelle tai yli 130 °C lämpötilalle, seurauksena voi olla räjähdys.
- g. Noudata kaikkia latausohjeita, akkua tai laitetta ei saa ladata ohjeissa annettujen lämpötilavälisen ulkopuolella. Virheellisen latauksen tai annettujen lämpötilavälisen ulkopuolella lataamisen seurauksena akku voi vaurioitua ja tulipalovaara kasvaa.
6. Huolto
- a. Korjauta sähkötyökalu koulutetulla ja ammattitaitoisella henkilöllä ja hyväksy korjauksiin vain alkuperäisiä varaosia. Täten taataan sähkötyökulun turvallisuus.
- b. Vaurioituneita AKKUJA ei saa koskaan huoltaa. AKUT saa huoltaa ainoastaan valmistaja tai valtuutettu huoltopalvelu.

Sähkötyökulun lisäturvallisuusvaroitukset



Varoitus! Ruuvinvääntimien lisäturvavaroitukset.

- ◆ Tartu kiinni koneen eristetyistä tartuntapinnoista, jos leikkausvälinettä käyttäessä on vaara osua piilossa oleviin johtoihin. Leikkaavien varusteiden osuminen jännitteeseen johtoon tekee sen paljaista metalliosista jännitteisiä, joten käyttäjä voi saada sähköiskun.
- ◆ Käytä kuulosuojaimia iskuporakonetta käyttäessäsi. Melulle altistuminen voi aiheuttaa kuulon menetyksen.
- ◆ Käytä työkalun mukana toimitettuja lisäkahvoja. Hallinnan menetys voi aiheuttaa henkilövahingon.
- ◆ Tartu työkaluun oikein ennen käyttöä. Tämä työkalu tuottaa suuren vääntömomentin, jos työkalua ei pidetä oikeaoppisesti käytön aikana, seurauksena voi olla hallinnan menetys ja henkilövahinko.

Turvavaroitukset pitkiä poranteriä käyttäessä

- ◆ Älä koskaan käytä poranterässä annettua maksiminopeutta suurempaa nopeutta. Jos nopeus on suurempi, terä voi vääntyä sen pyöriessä koskettamatta työkappaleeseen ja seurauksena voi olla henkilövahinko.
- ◆ Aloita poraaminen aina alhaisella nopeudella ja terän kärjen koskettaessa työkappaleeseen. Jos nopeus on suurempi, terä voi vääntyä sen pyöriessä koskettamatta työkappaleeseen ja seurauksena voi olla henkilövahinko.
- ◆ Kohdistaa painetta ainoastaan suorassa linjassa terään ja välttämällä liian suurta painetta. Terät voivat vääntyä aiheuttaen murtumisen tai hallinnan menetyksen ja täten henkilövahinkoja.

- ◆ Käytä puristimia tai muuta käytännöllistä tapaa kiinnittää työkappale vakaalle alustalle ja tukea sitä. Työkappaleen pitäminen käsin tai vartaloa vasten jättää sen epävakaaaksi ja voi johtaa hallinnan menettämiseen.
- ◆ Ennen kuin kiinnität kiinnikkeitä seiniin, lattiaan tai kattoon, tarkista johtojen ja putkien sijainnit.
- ◆ Suunniteltu käyttötarkoitus on kuvattu tässä ohjeessa.
- ◆ Muiden kuin tässä käyttöoppaassa suosittelujen lisävarusteiden tai lisälaitteiden käyttö tai toimintojen suorittaminen tällä työkalulla voi aiheuttaa henkilö- ja/tai omaisuusvahingon vaaran.

Muiden henkilöiden turvallisuus

- ◆ Tätä työkalua ei ole tarkoitettu sellaisten henkilöiden käyttöön, joilla on fyysisiä tai älyllisiä rajoitteita tai aistirajoitteita, eikä laitteen toimintaan perehtymättömien henkilöiden käyttöön (lapset mukaan luettuina), paitsi valvonnan alaisina, tai jos he ovat saaneet työkalun käyttöön liittyvää opastusta heidän turvallisuudestaan vastaavalta henkilöltä.
- ◆ Lapsia tulee valvoa ja varmistaa, että he eivät leiki laitteella.

Jäännösriski

Jäännösriskejä voi esiintyä käyttäessä muita kuin varoituk-
sissa mainittuja työkaluja. Riskit voivat johtua väärinkäytöstä,
pitkästä käytöstä jne.
Turvamaäräysten noudattamisesta ja turvalaitteiden käyttämi-
sestä huolimatta tiettyjä vaaroja ei voida välttää. Näitä ovat:

- ◆ Pyöriäviä tai liikkuvien osien koskettamisen aiheuttamat vahingot.
- ◆ Osia, teriä tai lisävarusteita vaihdettaessa aiheutuneet vahingot.
- ◆ Työkalun pitkäaikaisen käytön aiheuttamat vahingot. Pidä säännöllisiä taukoja työkalun pitkäaikaisen käytön aikana.
- ◆ Kuulon heikkeneminen.
- ◆ Työkalua käytettäessä (esimerkiksi puuta, erityisesti tammea, pyökkiä ja MDF-levyjä, käsiteltäessä) syntyneen pölyn sisäänhengityksen aiheuttamat terveysriskit.

Tärinä

Teknisissä tiedoissa ja vaatimustenmukaisuusilmoituksessa ilmoitettu tärinäpäästöarvo on mitattu standardin EN 62841 testausmenetelmän mukaisesti, ja sen avulla voidaan vertailla työkaluja keskenään. Ilmoitettua tärinän päästöarvoa voidaan käyttää myös alustavassa altistumisen arvioinnissa.

Varoitus! Todellinen tärinän päästöarvo sähkötyökalun käytön aikana voi poiketa ilmoitetusta arvosta työkalun käyttötavasta riippuen. Tärinätasoa voi olla ilmoitettua tasoa suurempi.

Kun tärinälle altistumista arvioidaan direktiivin 2002/44/EY vaatimien turvallisuustoimien määrittämiseksi ja säännöllisesti sähkötyökalua käyttävien käyttäjien suojaamiseksi, tärinän altistumisen arvioinnissa tulee huomioida todelliset käyttöolosuhteet sekä työkalun käyttötapa sekä kaikki käyttöjakson elementit (esim. työkalun sammutusajaj, tyhjäkäyntiajat sekä käynnistymisajat).

Työkalun tarrat

Työkaluun on merkitty päivämääräkoodi sekä seuraavat varoitusmerkinnät:



Varoitus! Loukkaantumisen riskin vähentämiseksi käyttäjän on luettava tämä käyttöohje.



Käytä kuulosuojaimia iskuporakonetta käyttäessäsi. Melulle altistuminen voi aiheuttaa kuulon menetyksen.



Älä katso suoraan työvaloon

Akkuja ja laturia koskevat lisäturvallisuusohjeet (ei toimiteta työkalun mukana)

Akut

- ◆ Älä koskaan yritä avata mistään syyssä.
- ◆ Älä anna akun kastua.
- ◆ Älä säilytä akkuja tiloissa, joissa lämpötila voi nousta yli 40 °C:een.
- ◆ Lataa akku paikassa, jonka lämpötila on vähintään +10 °C ja enintään +40 °C.
- ◆ Lataa akku ainoastaan työkalun mukana toimitetulla laturilla.
- ◆ Noudata akkuja hävittäessäsi kohdassa "Ympäristönsuojelu" annettuja ohjeita.

Älä koskaan yritä ladata viallisia akkuja.



Laturit

- ◆ Käytä Stanley Fat Max -laturia vain laitteen mukana toimitetun akun lataamiseen. Muut akut voivat räjähtää ja aiheuttaa henkilövahinkoja tai aineellisia vahinkoja.
- ◆ Älä koskaan yritä ladata akkuja, joita ei ole tarkoitettu ladattavaksi.
- ◆ Vaihda vialliset johdot välittömästi ehjiin.
- ◆ Älä altista laturia vedelle.
- ◆ Älä avaa laturia.
- ◆ Älä työnnä mitään laturin sisään.



Laturi on tarkoitettu ainoastaan sisäkäyttöön.



Lue käyttöohjeet huolellisesti ennen laitteen käyttöä.

Sähköturvallisuus



Laturi on kaksoeristetty, joten erillistä maadoitusta ei tarvita. Tarkista aina, että verkkojännite vastaa arvokilvessä ilmoitettua jännitettä. Älä yritä korvata laturiyksikköä tavallisella verkkopistokkeella.

- ◆ Jos virtajohto vahingoittuu, sen vaihtaminen on turvallisuussyistä jätettävä valmistajan tai valtuutetun Stanley Fat Max -huolto liikkeen tehtäväksi.

Ominaisuudet

Tässä laitteessa on kaikki tai joitakin seuraavista ominaisuuksista.

1. Liipaisinkytkin
2. Suunnanvaihtopainike
3. Vääntömomentin säätörengas
4. Kaksiasentoinen nopeuskytkin
5. Pikaistukka
6. Akku
7. Akun vapautuspainike
8. LED-työvalo
9. Teräpidike

Käytä

Varoitus! Anna laitteen käydä ilman kuormitusta.

Vältä työkalun ylikuormittamista.

Akun lataaminen

Lataa akku ennen ensimmäistä käyttökertaa ja aina silloin, kun se ei enää tuota riittävästi virtaa toimintoihin, jotka aikaisemmin hoituivat helposti. Akku voi lämmetä ladattaessa. Tämä on normaalia, eikä se ole merkki mistään viasta.

Varoitus! Älä lataa akkua alle 10 °C tai yli 40 °C asteen lämpötilassa. Suositeltava latauslämpötila on 24 °C.

Huomautus: Laturi ei lataa akkua, jos akun kennon lämpötila on alle 10 °C tai yli 40 °C.

Akku tulee kuitenkin jättää laturiin. Laturi aloittaa lataamisen automaattisesti, kun kennon lämpötila nousee tai laskee riittävästi.

- ◆ Yhdistä laturi sopivaan pistorasiaan ennen kuin laitat siihen akun.
- ◆ Aseta akku laturiin.



Vihreä LED-merkkivalo vilkkuu käynnissä olevan latauksen merkiksi.



Kun lataus on valmis, vihreä LED-valo jää palamaan jatkuvasti. Akku on täysin ladattu ja sitä voidaan käyttää heti tai sen voi jättää laturiin.

Varoitus! Lataa tyhjennetyt akut mahdollisimman pian käytön jälkeen, muutoin akun käyttöikä voi lyhentyä.

Laturin vianmääritys

Tämä laturi on tarkoitettu havaitsemaan joitakin akkuun tai virtalähteeseen liittyviä ongelmia. Ongelmista ilmoittaa yksi eri tahtiin vilkkuva LED-merkkivalo.

Viallinen akku



Laturi voi havaita heikkokuntoisen tai vaurioituneen akun. Punainen LED-merkkivalo vilkkuu merkissä ilmoitetulla tavalla. Jos näet tämän heikosta akun kunnosta ilmoittavan vilkkumisen, lopeta akun lataus. Vie se huoltopalveluun tai kierrätyspisteeseen.

Akun kuuma-/kylmäviive



Kun laturi tunnistaa liian kuumen tai kylmän akun, se käynnistää automaattisesti akun kuuma-/kylmäviiveen, jolloin lataus käynnistyy vasta sitten, kun akku on saavuttanut oikean lämpötilan. Tämän jälkeen laturi kytkeytyy automaattisesti akun lataustilaan. Tämä toiminto takaa akun maksimaalisen käyttöiän. Punainen LED-merkkivalo vilkkuu merkissä ilmoitetulla tavalla, kun kuuma-/kylmäviive on havaittu.

Virtajohtoa koskevat ongelmat



Kun laturia käytetään joillakin kannettavilla virtalähteillä (esim. generaattoreilla) tai tasavirtaa vaihtovirraksi muuntavilla lähteillä, laturin toiminta voi keskeytyä väliaikaisesti. LED-merkkivalo vilkkuu merkissä ilmoitetulla tavalla. Tämä tarkoittaa, että virtalähde ylittää sallitut rajat.

Akun jättäminen laturiin

Akku voidaan jättää laturiin, kun merkkivalo palaa. Laturi pitää akun käyttövalmiina ja ladattuna.

Tärkeitä huomautuksia lataamiseen

- ◆ Maksimaalinen käyttöikä ja paras suorituskyky saavutetaan, kun akkua ladataan lämpötilassa 18 °C - 24 °C (65 °F - 75 °F). ÄLÄ lataa akkua alle +4,5 °C (+40 °F) tai yli +40,5 °C (+105 °F) lämpötilassa. Tämä on tärkeää ja se estää akun vakavat vauriot.
- ◆ Laturi ja akku voivat kuumentua latauksen aikana. Tämä on normaalia, eikä ole se ole merkki ongelmasta. Jotta akku jäähtyisi käytön jälkeen, vältä asettamasta laturia tai akkua lämpimään ympäristöön, kuten metallikoteloon tai eristämättömän perävaunun päälle.
- ◆ Jos akku ei lataudu virheettömästi:
 - ◆ Tarkista pistorasian sähkövirta kytkemällä siihen lamppu tai jokin muu laite.
 - ◆ Tarkista valojen sammuttamisen yhteydessä virran katkaisevaa valokytkintä liitetty pistorasiaan.
 - ◆ Siirrä laturi ja akku paikkaan, jossa ympäristölämpötila on noin 18 °C - 24 °C (65 °F - 75 °F). Jos latausongelmat jatkuvat, vie työkalu akun ja laturin ohella paikalliseen Stanley Fat Max -huoltopalveluun.
- ◆ Tämä akku tulee ladata uudelleen, kun se ei enää tuota riittävää tehoa töissä, jotka voitiin aikaisemmin tehdä helposti.
- ◆ ÄLÄ JATKA TYÖKALUN KÄYTTÖÄ näissä olosuhteissa. Noudata latausohjeita.
- ◆ Voit halutessasi myös ladata osittain käytetyn akun milloin tahansa, ilman että siitä olisi haittaa akulle.

Akun asentaminen ja poistaminen työkalusta

Varoitus! Varmista ennen akun irrottamista tai asentamista, että lukituspainike on lukitussa asennossa virtakytkimen tahattoman käytön estämiseksi.

Akun asentaminen

- ◆ Aseta akku hyvin työkaluun, kunnes kuulet napsahduksen kuvan A mukaisesti. Varmista, että akku on hyvin paikoillaan ja lukittu paikoilleen.

Akun poistaminen

- ◆ Paina akun vapautuspainiketta (7) kuvan B mukaisesti ja vedä akku irti työkalusta.

Liipaisinkytkin ja suunnanvaihtopainike - kuva C

- ◆ Pora kytketään päälle ja pois päältä vetämällä ja vapauttamalla liipaisinkytkin (1) kuvan C mukaisesti. Mitä syvemmälle kytkintä painetaan, sitä suurempi on poran nopeus.
- ◆ Suunnanvaihtopainike (2) määrää työkalun kiertosuunnan ja toimii myös lukituspainikkeena.
- ◆ Kiinniruuvausta varten vapauta liipaisinkytkin ja paina alas suunnanvaihtopainike työkalun oikealla puolella.
- ◆ Kiinniruuvausta varten paina alas suunnanvaihtopainike työkalun oikealla puolella.
- ◆ Suunnanvaihtopainikkeen keskiasento lukitsee työkalun off-asentoon. Kun muutat suunnanvaihtopainikkeen asentoa, varmista, että liipaisin on vapautettu.

Vääntömomentin säätäminen - kuva D

Tässä työkalussa on vääntömomentin säätörenkas (3), jolla valitaan toimintatila ja asetetaan vääntömomentti ruuvien kiristämistä varten. Suuret ruuvit ja kovat työstettävät materiaalit vaativat suuremman vääntömomentin kuin pienet ruuvit ja pehmeät työstettävät materiaalit.

- ◆ Puuta, metallia ja muovia poratessasi aseta kartio porausasennon symbolin kohdalle.
- ◆ Ruuveja vääntäessäsi aseta kartio haluamaasi asentoon. Jos et vielä tiedä oikeaa asentoa, toimi seuraavasti:
 - ◆ Aseta kartio pienimmän vääntömomentin mukaiseen asentoon.
 - ◆ Kiristä ensimmäinen ruuvi.
 - ◆ Jos kytkin luistaa ennen halutun tuloksen saavuttamista, suurena kartion asetusta ja jatka ruuvien kiristämistä.
 - ◆ Toista menettelyä, kunnes asetus on oikea.
 - ◆ Kiristä muut ruuvit käyttämällä tätä asetusta.

Kaksiasentoinen nopeuskytkin - kuva E

Poran nopeuskytkimen avulla voit vaihtaa vaihteista monipuolisesti.

- ◆ Valitse alhainen nopeus ja suuri vääntömomentti (asento 1) katkaisemalla työkalusta virta ja antamalla sen pysähtyä. Liu'uta nopeuskytkintä (4) pois päin istukasta.
- ◆ Valitse suuri nopeus ja pieni vääntömomentti (asento 2) katkaisemalla työkalusta virta ja antamalla sen pysähtyä. Liu'uta nopeuskytkintä takaisin istukkaan päin.

Huomautus: Älä vaihda vaihdetta, kun työkalu on käynnissä. Jos vaihteiden vaihtamisessa on ongelmia, varmista, että nopeuskytkin on työnnetty joko kokonaan eteenpäin tai kokonaan taaksepäin.

Pikaistukka - kuva F

Varoitus! Varmista ennen lisävarusteiden asentamista tai irrottamista, että akku on irrotettu työkalun tahattoman käytön estämiseksi.

Vaihda poranterä tai muu lisävaruste seuraavasti:

- ◆ Tartu istukkaan (5) ja kierrä sitä vastapäivään istukan päästä katsottuna.
- ◆ Aseta terä tai muu tarvike istukkaan ja kiinnitä se hyvin kiertämällä istukkaa myötäpäivään istukan päästä katsottuna.

Varoitus! Älä yritä kiristää tai löysätä poranteriä (tai muita lisävarusteita) tarttumalla istukan etuosaan ja käynnistämällä työkalun. Lisävarusteiden vaihtaminen tällä tavalla voi vahingoittaa istukkaa tai johtaa tapaturmaan.

Ruuvaus

- ◆ Ruuveja kiinnitettäessä suunnanvaihtopainike tulee työntää vasemmalle.
- ◆ Poista ruuvit päinvastaiseen suuntaan (painike painettuna oikealle).

Huomautus: Vapauta liipaisin aina ennen kuin siirryt eteenpäin-asennosta taaksepäin-asentoon tai liipainvasto.

Poraaminen

- ◆ Käytä vain teräviä poranteriä.
- ◆ Tue ja kiinnitä työstökappale oikeoppisesti turvallisuusohjeita noudattaen.
- ◆ Käytä asianmukaisia ja vaadittuja turvavarusteita turvallisuusohjeita noudattaen.
- ◆ Varmista työalueen turvallisuus turvallisuusohjeita noudattaen.
- ◆ Käytä poraa erittäin hiljaa kevyellä paineella, kunnes reikä on aloitettu riittävästi poran pitämiseksi aukossa.
- ◆ Paina suoraan terän suuntaisesti. Paina tarpeeksi kovaa niin, että terä poraa, mutta älä niin kovaa, että moottori jää kiinni tai terä vääntyy.
- ◆ Pidä poraa tiukasti kahdella kädellä, yksi käsi kahvassa ja toinen akkualueen ympärillä tai lisäkahvassa (jos olemassa).
- ◆ **ÄLÄ YRITÄ KÄYNNISTÄÄ KIINNI JÄÄNYTTÄ MOOTORIA UUELLEEN PAINELEMALLA LIIPASINTA. PORA VOI VAHINGOITTUA.**
- ◆ Vähennä kiinni jäämisen mahdollisuutta puhkaisuvaiheessa vähentämällä painetta ja poraamalla hitaasti reian loppupäässä.
- ◆ Pidä moottori käynnissä ja vedä terä ulos poratusta reiästä. Tämä estää juuttumista.
- ◆ Varmista, että kytkin käynnistää ja sammuttaa poran.

Puun poraaminen

Puuhun voidaan porata reikiä samoilla kieräporanterillä kuin metalliin, tai litteäteräisillä poranterillä. Näiden terien tulisi olla teräviä ja porattaessa ne tulisi vetää ulos usein purujen poistamiseksi urista.

Metallin poraaminen

Käytä leikkuujähdytysnestettä, kun poraat metalleja. Poikkeuksia ovat valurauta ja messinki, joita tulee porata kuivina.

Parhaiten toimivia leikkuujähdytysnestettä ovat rikitetty leikkuuöljy.

Betonin poraaminen

Betonia poratessasi aseta poraustavan valitsin (3) iskuporauksen asentoon kohdistamalla vastaava symboli merkintään. Käytä karbidikirkisiä betoniteriä. Katso osio "Poraaminen". Paina poraa tasaisesti, mutta älä niin voimakkaasti, että hauras materiaali murtuu. Yhtenäinen, tasainen pölyvirta osoittaa oikean porausnopeuden.

LED-työvalo

Kun poralla edetään vetämällä liipaisimesta (1), integroitu LED-työvalo (8) syttyy automaattisesti työalueen valaisemiseksi.

Huomautus: Työvalo on tarkoitettu välittömän työpinnan valaisuun eikä sitä ole tarkoitettu käytettäväksi taskulamppuna.

Terän säilytystila

Terän säilytysaukko (9) sijaitsee työkalun kannassa.

Vianmääritys

Ongelma	Mahdollinen syy	Mahdollinen ratkaisu
Laite ei käynnisty.	Akkua ei ole asennettu oikein. Akku ei ole latautunut.	Tarkista akun asennus. Tarkista akun latausvaatimukset.
Laite käynnistyy välittömästi akun kytkemisen jälkeen.	Kytkin on jätetty "Päällä"-asentoon.	Kytkin tulee siirtää "Pois päältä"-asentoon, jotta työkalu ei käynnistyisi heti akun kytkemisen jälkeen.
Akku ei lataudu.	Akkua ei ole asetettu laturiin. Laturia ei ole kytketty pistorasiaan. Ympäristölämpötila on liian korkea tai liian alhainen.	Työnnä akku laturiin, kunnes punaiset LED-valot syttyvät. Kytke laturi pistorasiaan. Siirrä laturi ja akku ympäristöön, jonka lämpötila on yli 4,5 °C (40 °F) tai alle +40,5 °C (105 °F).
Laite sammuu äkkinäisesti.	Akun maksimilämpötila on saavutettu. Ei virtaa. (Akun maksimaalista käyttöikää varten akku sammuu tarkoituksella äkkinäisesti virran loppuessa).	Anna akun jäähtyä. Aseta laturiin ja anna latautua.

Huolto

Tämä Stanley Fat Max -työkalu on suunniteltu toimimaan mahdollisimman pitkään mahdollisimman vähällä huollolla. Oikea käsittely ja säännöllinen puhdistus varmistavat laitteen ongelmattoman toiminnan.

Laturi ei vaadi huoltoa, ainoastaan säännöllisen puhdistuksen.

Varoitus! Poista akku ennen työkalun huoltamista. Irrota laturi pistorasasta ennen laturin puhdistamista.

- Puhdista työkalun ja laturin ilma-aukot säännöllisesti pehmeällä harjalla tai kuivalla liinalla.
- Puhdista moottorin kotelo säännöllisesti kostealla rätillä. Älä käytä hiovia tai liuotinpohjaisia puhdistusaineita.
- Avaa istukka säännöllisesti ja naputtele pöly pois sen sisältä.

Ympäristön suojeleminen



Toimita tämä laite kierrätykseen. Tällä symbolilla merkityt tuotteet ja akkuja ei saa hävittää tavallisen kotitalousjätteen mukana.

Tuotteissa ja akuissa on materiaaleja, jotka voidaan kerätä tai kierrättää uudelleen käyttöä varten. Kierrätä sähkölaitteet ja akut paikallisten määräyksien mukaisesti. Lisätietoa on saatavilla osoitteessa www.2helpU.com.

Tekniset tiedot

		FMC626
Jännite	V_{DC}	18 V
Kuormittamaton nopeus	Min^{-1}	0-350/0-1500
Maks. vääntömomentti	Nm	47
Istukan kapasiteetti	mm	13
Suurin mahdollinen porausteho		
Teräs/puu/betoni	mm	13/35/13
Paino	kg	1,2

Laturi	905998**	906086**	
Tulojännite	V_{AC}	230	230
Lähtöjännite	V_{DC}	18	18
Virta	mA	1000	2000
Arvioitu latausaika	min	80-240	40-120

Akku	FMC685L	FMC687L	FMC684L	
Jännite	V_{AC}	18	18	18
Kapasiteetti	Ah	1,5	2,0	1,3
Tyyppi	Li-Ion	Li-Ion	Li-Ion	

Äänenpainetaso standardin EN 62841 mukaisesti:
Äänenpaine (L_{pA}) 87,0 dB(A), epävarmuus (K) 5 dB(A)
Ääniteho (L_{WA}) 98,0 dB(A), epävarmuus (K) 5 dB(A)

Tärinän kokonaisarvot (vektorisumma) standardin EN 60745 mukaisesti:

Porattaessa metallia ($a_{h,D}$) < 2,5 m/s², epävarmuus (K) 1,5 m/s²
 Iskuporattaessa betonia ($a_{h,D}$) 14,9 m/s², epävarmuus (K) 1,5 m/s²

EU-vaatimustenmukaisuusvakuutus

KONEDIREKTIIVI



FMC626 - Akkuiskuporakone

Stanley Fat Max ilmoittaa, että tuotteet, jotka on kuvattu kohdassa Tekniset tiedot, täyttävät seuraavien direktiivien

vaatimukset:

2006/42/EY, EN62841-1:2015, EN62841-2-1:2018+A11:2019.

Nämä tuotteet täyttävät myös direktiivien 2014/30/EU ja 2011/65/EU vaatimukset.

Lisätietoja saa ottamalla yhteyttä Stanley Fat Max -yhtiöön seuraavaan osoitteeseen. Tiedot ovat myös käyttöoppaan takakannessa.

Allekirjoittanut vastaa teknisten tietojen kokoamisesta tehden tämän ilmoituksen Stanley Fat Maxin puolesta.

Patrick Diepenbach

Patrick Diepenbach
 Pääjohtaja, Benelux
 Stanley Fat Max,
 Egide Walschaertsstraat 14-18
 2800 Mechelen, Belgia
 30/09/2021

Takuu

Stanley Fat Max on vakuuttunut tuotteidensa korkeasta laadusta ja tarjoaa kuluttajille 12 kuukauden takuun, joka astuu voimaan ostopäivänä. Takuu on lisäys kuluttajan laillisiin oikeuksiin eikä se vaikuta niihin. Tämä takuu on voimassa kaikissa EU- ja ETA-maissa.

Edellytyksenä takuun saamiselle on, että vaade täyttää Stanley Fat Maxin ehdot ja että ostaja toimittaa ostotositteen jälleenmyyjälle tai valtuutetulle huoltoliikkeelle. Stanley

Fat Max -yhtiön yhden vuoden takuun ehdot ja lähimmän valtuutetun korjauspalvelun tiedot ovat saatavilla osoitteessa www.2helpU.com tai ottamalla yhteyttä paikalliseen Stanley Fat Max -toimipisteeseen tämän ohjekirjan osoitteeseen.

Käy verkkosivuillemme osoitteessa www.www.stanley.eu/3 ja rekisteröi uusi Stanley Fat Max -tuotteesi saadaksesi tietoa uusista tuotteista ja erikoistarjouksista

Προβλεπόμενη χρήση

Το δραπετανοκατάβιδο Stanley Fat Max FMC626 που αποκτήσατε έχει σχεδιαστεί για εφαρμογές βιδώματος και για διάτρηση σε ξύλο, μέταλλο, πλαστικά και μαλακά υλικά τοιχοποιίας. Αυτή η συσκευή προορίζεται για επαγγελματική και ιδιωτική, μη επαγγελματική χρήση.

Οδηγίες ασφαλείας

Γενικές προειδοποιήσεις ασφαλείας για ηλεκτρικά εργαλεία



Προειδοποίηση! Διαβάστε όλες τις προειδοποιήσεις ασφαλείας, τις οδηγίες, τις απεικονίσεις και τις προδιαγραφές που συνοδεύουν αυτό το ηλεκτρικό εργαλείο. Η μη τήρηση των προειδοποιήσεων και των οδηγιών που αναφέρονται παρακάτω μπορεί να έχει ως αποτέλεσμα ηλεκτροπληξία, πυρκαγιά και/ή σοβαρή σωματική βλάβη.

Φυλάξτε όλες τις προειδοποιήσεις και τις οδηγίες για μελλοντική αναφορά. Ο όρος "ηλεκτρικό εργαλείο" που χρησιμοποιείται σε όλες τις παρακάτω προειδοποιήσεις, αναφέρεται είτε σε εργαλείο που λειτουργεί με ρεύμα δικτύου (ρεύματος - με καλώδιο) είτε σε εργαλείο που λειτουργεί με μπαταρία (μπαταρίας - χωρίς καλώδιο).

1. Ασφάλεια χώρου εργασίας

- α. Διατηρείτε τον χώρο εργασίας καθαρό και καλά φωτισμένο.** Οι ατακτοποιητοί ή σκοτεινοί χώροι γίνονται αιτίες ατυχημάτων.
- β. Μη χρησιμοποιείτε ηλεκτρικά εργαλεία σε περιβάλλον όπου υπάρχει κίνδυνος έκρηξης, όπως με παρουσία εύφλεκτων υγρών, αερίων ή σκόνης.** Τα ηλεκτρικά εργαλεία παράγουν σπινθήρες που μπορεί να προκαλέσουν ανάφλεξη της σκόνης ή των αναθυμιάσεων.
- γ. Όταν χρησιμοποιείτε ηλεκτρικό εργαλείο, κρατάτε μακριά τα παιδιά και άλλα άτομα.** Παράγοντες που αποσπούν την προσοχή μπορεί να σας κάνουν να χάσετε τον έλεγχο.

2. Ασφαλής χρήση ηλεκτρικού ρεύματος

- α. Τα φως των ηλεκτρικών εργαλείων πρέπει να ταιριάζουν στην πρίζα. Δεν επιτρέπεται με κανέναν τρόπο η μετασκευή του φως. Μη χρησιμοποιείτε φως προσαρμογής με γειωμένα ηλεκτρικά εργαλεία.** Τα φως που δεν έχουν υποστεί τροποποιήσεις και οι κατάλληλες πρίζες μειώνουν τον κίνδυνο ηλεκτροπληξίας.
- β. Αποφεύγετε την επαφή του σώματός σας με γειωμένες επιφάνειες, όπως σωλήνες, καλοριφέρ, κουζίνες και ψυγεία.** Υπάρχει αυξημένος κίνδυνος ηλεκτροπληξίας αν το σώμα σας είναι γειωμένο.

- γ. Μην εκθέτετε τα ηλεκτρικά εργαλεία σε βροχή ή υγρασία.** Η εισχώρηση νερού σε ηλεκτρικό εργαλείο αυξάνει τον κίνδυνο ηλεκτροπληξίας.
- δ. Μην κακομεταχειρίζεστε το καλώδιο. Μη χρησιμοποιείτε ποτέ το καλώδιο για να μεταφέρετε το εργαλείο, να το τραβήξετε ή να το αποσυνδέσετε από την πρίζα. Κρατάτε το καλώδιο μακριά από θερμότητα, λάδια, αιχμηρά άκρα ή κινούμενα μέρη.** Τυχόν χαλασμένα ή περδεδεμένα καλώδια αυξάνουν τον κίνδυνο ηλεκτροπληξίας.
- ε. Όταν χρησιμοποιείτε ηλεκτρικό εργαλείο σε εξωτερικούς χώρους, χρησιμοποιείτε πάντα καλώδιο επέκτασης κατάλληλο για εργασία σε εξωτερικούς χώρους.** Η χρήση καλωδίου κατάλληλου για εργασία σε εξωτερικούς χώρους μειώνει τον κίνδυνο ηλεκτροπληξίας.
- στ. Εάν είναι αναπόφευκτη η χρήση ενός ηλεκτρικού εργαλείου σε συνθήκες υγρασίας, χρησιμοποιήστε μια διάταξη προστασίας από ρεύμα διαρροής (RCD).** Η χρήση μιας διάταξης RCD μειώνει τον κίνδυνο ηλεκτροπληξίας.

3. Ατομική ασφάλεια

- α. Όταν χρησιμοποιείτε ηλεκτρικό εργαλείο, να είστε σε εγρήγορση, να συγκεντρώνετε στην εργασία που κάνετε και να επιστρατεύετε την κοινή λογική. Μη χρησιμοποιείτε ηλεκτρικό εργαλείο όταν είστε κουρασμένοι/η ή υπό την επήρεια ναρκωτικών ουσιών, οινοπνεύματος ή φαρμακευτικής αγωγής.** Μια στιγμή απροσεξίας κατά τη χρήση ηλεκτρικών εργαλείων μπορεί να προκαλέσει σοβαρό τραυματισμό.
- β. Χρησιμοποιείτε ατομικό εξοπλισμό προστασίας. Πάντα φοράτε προστασία ματιών.** Ο εξοπλισμός προστασίας, όπως μάσκα κατά της σκόνης, αντιολισθητικά παπούτσια ασφαλείας, κράνος ή προστασία ακοής, όταν χρησιμοποιείται για τις κατάλληλες συνθήκες, θα μειώσει τους τραυματισμούς και τις σωματικές βλάβες.
- γ. Αποτρέπετε την ακούσια ενεργοποίηση. Βεβαιωθείτε ότι ο διακόπτης βρίσκεται στη θέση απενεργοποίησης πριν συνδέσετε το εργαλείο σε πηγή ρεύματος και/ή πακέτο μπαταριών, καθώς και πριν πάρετε στα χέρια σας ή μεταφέρετε το εργαλείο.** Η μεταφορά ηλεκτρικών εργαλείων με το δάκτυλο στον διακόπτη ή η σύνδεση εργαλείων στην πηγή ρεύματος με τον διακόπτη στη θέση ενεργοποίησης ενέχουν κίνδυνο ατυχήματος.
- δ. Πριν θέσετε το ηλεκτρικό εργαλείο σε λειτουργία, αφαιρέστε τυχόν εργαλεία ή κλειδιά ρύθμισης.** Αν ένα μηχανικό κλειδί ή κλειδί ρύθμισης ξεχαστεί συνδεδεμένο σε περιστρεφόμενο εξάρτημα του ηλεκτρικού εργαλείου, αυτό μπορεί να έχει ως αποτέλεσμα τραυματισμό ατόμων.
- ε. Μην τεντώνετε υπερβολικά. Διατηρείτε πάντα σταθερή στήριξη στα πόδια σας και καλή ισορροπία.**

- Έτσι μπορείτε να έχετε καλύτερο έλεγχο του ηλεκτρικού εργαλείου σε μη αναμενόμενες καταστάσεις.
- στ. Φοράτε κατάλληλη ενδυμασία εργασίας. Μη φοράτε φαρδιάς εφαρμογής ρούχα ή κοσμήματα. Κρατάτε τα μαλλιά, τα ρούχα και τα γάντια σας μακριά από κινούμενα μέρη.** Τα φαρδιά ρούχα, τα κοσμήματα και τα μακριά μαλλιά μπορούν να πιαστούν σε κινούμενα μέρη.
- ζ. Αν παρέχονται διατάξεις για τη σύνδεση συστημάτων απομάκρυνσης και συλλογής της σκόνης, βεβαιωθείτε ότι αυτές είναι συνδεδεμένες και χρησιμοποιούνται κατάλληλα.** Η χρήση διατάξεων συλλογής της σκόνης μπορεί να μειώσει τους κινδύνους που προέρχονται από τη σκόνη.
- η. Μην αφήνετε την εξοικείωση που έχετε αποκτήσει από τη συχνή χρήση εργαλείων να σας επιτρέψει να εφησυχάσετε ώστε να αγνοείτε τις αρχές ασφαλούς χρήσης των εργαλείων.** Μια απρόσεκτη ενέργεια μπορεί να προκαλέσει βαρύ τραυματισμό μέσα σε κλάσματα του δευτερολέπτου.
- 4. Χρήση και φροντίδα ηλεκτρικών εργαλείων**
- α. Μην υπερφορτώνετε το ηλεκτρικό εργαλείο.** Χρησιμοποιείτε το σωστό ηλεκτρικό εργαλείο για την εφαρμογή. Το σωστό ηλεκτρικό εργαλείο θα εκτελέσει την εργασία καλύτερα και ασφαλέστερα, με την ένταση χρήσης για την οποία σχεδιάστηκε.
- β. Μη χρησιμοποιήσετε ηλεκτρικό εργαλείο αν ο διακόπτης του δεν μπορεί να το ενεργοποιεί και απενεργοποιεί.** Οποιοδήποτε εργαλείο δεν μπορεί να ελεγχθεί μέσω του διακόπτη του, είναι επικίνδυνο και πρέπει να επισκευαστεί.
- γ. Αποσυνδέστε το φως από την πηγή ρεύματος και/ή το πακέτο μπαταριών από το ηλεκτρικό εργαλείο, πριν διακόψετε οποιαδήποτε ρύθμιση, αλλαγή αξεσουάρ ή όταν πρόκειται να αποθηκεύσετε το ηλεκτρικό εργαλείο.** Τέτοια προληπτικά μέτρα ασφαλείας μειώνουν τον κίνδυνο αθέλητης εκκίνησης του ηλεκτρικού εργαλείου.
- δ. Φυλάσσετε μακριά από παιδιά τα ηλεκτρικά εργαλεία που δεν χρησιμοποιείτε.** Μην αφήνετε να χρησιμοποιήσουν ηλεκτρικό εργαλείο άτομα που δεν είναι εξοικειωμένα με αυτό ή άτομα που δεν έχουν διαβάσει αυτές τις οδηγίες χρήσης. Τα ηλεκτρικά εργαλεία είναι επικίνδυνα στα χέρια μη εκπαιδευμένων χρηστών.
- ε. Να συντηρείτε τα ηλεκτρικά εργαλεία. Ελέγχετε για προβλήματα ευθυγράμμισης ή για μάγκωμα των κινούμενων εξαρτημάτων, θραύση εξαρτημάτων, καθώς και για οποιοδήποτε άλλο πρόβλημα μπορεί να επηρεάσει τη λειτουργία των ηλεκτρικών εργαλείων. Αν το ηλεκτρικό εργαλείο έχει υποστεί ζημιά, φροντίστε να επισκευαστεί πριν το χρησιμοποιήσετε.** Η ανεπαρκής συντήρηση των ηλεκτρικών εργαλείων αποτελεί αιτία πολλών ατυχημάτων.
- στ. Διατηρείτε τα κοπτικά εργαλεία κοφτερά και καθαρά.** Τα κατάλληλα συντηρημένα εργαλεία κοπής με αιχμηρά άκρα κοπής έχουν μικρότερες πιθανότητες να μαγκώσουν και ελέγχονται ευκολότερα.
- ζ. Χρησιμοποιείτε το ηλεκτρικό εργαλείο, τα αξεσουάρ και τα εξαρτήματα εργασίας των εργαλείων κλπ. σύμφωνα με τις παροχές οδηγιές, λαμβάνοντας υπόψη σας τις συνθήκες εργασίας και την εργασία που θέλετε να εκτελέσετε.** Η χρήση του ηλεκτρικού εργαλείου για εργασίες διαφορετικές από τις προβλεπόμενες θα μπορούσε να οδηγήσει σε επικίνδυνη κατάσταση.
- η. Διατηρείτε τις λαβές και τις επιφάνειες κρατήματος στεγνές, καθαρές και απαλλαγμένες από λάδι και γράσο.** Οι ολισθηρές λαβές και επιφάνειες κρατήματος δεν επιτρέπουν τον ασφαλή χειρισμό και έλεγχο του εργαλείου σε μη αναμενόμενες καταστάσεις.
- 5. Χρήση και φροντίδα εργαλείων μπαταρίας**
- α. Να επαναφορτίζετε μόνο με τον φορτιστή που καθορίζει ο κατασκευαστής.** Ένας φορτιστής που είναι κατάλληλος για ένα τύπο πακέτου μπαταριών μπορεί να δημιουργήσει κίνδυνο πυρκαγιάς όταν χρησιμοποιείται με άλλο πακέτο μπαταριών.
- β. Χρησιμοποιείτε τα ηλεκτρικά εργαλεία αποκλειστικά και μόνο με τα καθοριζόμενα πακέτα μπαταριών.** Η χρήση άλλων πακέτων μπαταριών μπορεί να προκαλέσει κίνδυνο τραυματισμού και πυρκαγιάς.
- γ. Όταν το πακέτο μπαταριών δεν χρησιμοποιείται, κρατάτε το μακριά από άλλα μεταλλικά αντικείμενα, όπως συνδετήρες, κέρματα, κλειδιά, καρφιά, βίδες ή άλλα μικρά μεταλλικά αντικείμενα που μπορούν να βραχυκυκλώσουν τους δύο ακροδέκτες του.** Εάν βραχυκυκλώσουν οι πόλοι της μπαταρίας μπορεί να προκληθούν εγκαύματα ή πυρκαγιά.
- δ. Αν οι μπαταρίες υποστούν κακομεταχείριση, μπορεί να διαρρεύσει υγρό. Αποφύγετε την επαφή. Αν κατά λάθος έρθετε σε επαφή, ξεπλύνετε με νερό. Αν το υγρό έρθει σε επαφή με τα μάτια, ζητήστε επιπλέον και ιατρική βοήθεια.** Το υγρό που εξέρχεται από την μπαταρία μπορεί να προκαλέσει ερεθισμούς ή εγκαύματα.
- ε. Μη χρησιμοποιήσετε πακέτο μπαταριών ή εργαλείο που έχει υποστεί ζημιά ή έχει τροποποιηθεί.** Οι μπαταρίες που έχουν υποστεί ζημιά ή τροποποίηση μπορεί να έχουν απρόβλεπτη συμπεριφορά, με αποτέλεσμα φωτιά, έκρηξη ή κίνδυνο τραυματισμού.
- στ. Μην εκθέσετε ένα πακέτο μπαταριών ή εργαλείο σε φωτιά ή υπερβολική θερμοκρασία.** Η έκθεση σε φωτιά ή σε θερμοκρασία πάνω από 130 °C μπορεί να προκαλέσει έκρηξη.

ζ. **Τηρείτε όλες τις οδηγίες φόρτισης και μη φορτίζετε το πακέτο μπαταριών ή το εργαλείο εκτός των ορίων θερμοκρασίας που ορίζονται στις προδιαγραφές.** Η ακατάλληλη φόρτιση ή η φόρτιση σε θερμοκρασίες εκτός των προβλεπόμενων ορίων μπορεί να προξενήσει ζημιά στην μπαταρία και να αυξήσει τον κίνδυνο φωτιάς.

6. Σέρβις

- α. **Το σέρβις του ηλεκτρικού σας εργαλείου πρέπει να αναλαμβάνει έμπειρος τεχνικός που χρησιμοποιεί μόνο γνήσια ανταλλακτικά.** Έτσι θα εξασφαλίσετε τη διατήρηση της ασφάλειας του ηλεκτρικού εργαλείου.
- β. **Ποτέ μην κάνετε σέρβις σε πακέτα ΜΠΑΤΑΡΙΩΝ που έχουν υποστεί ζημιά.** Το σέρβις σε πακέτα ΜΠΑΤΑΡΙΩΝ πρέπει να εκτελείται μόνο από τον κατασκευαστή ή εξουσιοδοτημένους παρόχους σέρβις.

Πρόσθετες προειδοποιήσεις ασφαλείας για ηλεκτρικά εργαλεία



Προειδοποίηση! Πρόσθετες προειδοποιήσεις ασφαλείας για κατασβίδια.

- ◆ Κρατάτε το ηλεκτρικό εργαλείο από μονωμένες επιφάνειες λαβής όταν εκτελείτε μια εργασία όπου το αξεσουάρ κοπής μπορεί να έρθει σε επαφή με αθέατα καλώδια. Αν αξεσουάρ κοπής έρθει σε επαφή με καλώδιο υπό τάση, μπορεί να τεθούν υπό ηλεκτρική τάση και τα εκτεθειμένα μεταλλικά μέρη του ηλεκτρικού εργαλείου και να προκληθεί ηλεκτροπληξία στον χειριστή.
- ◆ **Όταν χρησιμοποιείτε κρουστικά δράπανα, να φοράτε ωτοασπίδες.** Η έκθεση σε θόρυβο μπορεί να προκαλέσει απώλεια ακοής.
- ◆ **Χρησιμοποιείτε τις βοηθητικές λαβές που παρέχονται μαζί με το εργαλείο.** Η απώλεια ελέγχου μπορεί να προκαλέσει τραυματισμό.
- ◆ **Συγκρατήστε σωστά το εργαλείο πριν τη χρήση.** Αυτό το εργαλείο παράγει υψηλή ροπή εξόδου και αν δεν συγκρατείτε σωστά το εργαλείο κατά τη λειτουργία, μπορεί να προκύψει απώλεια ελέγχου με αποτέλεσμα τραυματισμό.

Οδηγίες ασφαλείας κατά τη χρήση τρυπανιών μεγάλου μήκους

- ◆ **Ποτέ μη χρησιμοποιείτε ταχύτητα υψηλότερη από τη μέγιστη ονομαστική ταχύτητα του τρυπανιού.** Σε υψηλότερες ταχύτητες, το τρυπάνι είναι πιθανό να λυγίσει αν επιτραπεί να περιστραφεί ελεύθερα χωρίς να είναι σε επαφή με το αντικείμενο εργασίας, με αποτέλεσμα τραυματισμό.
- ◆ **Πάντα ξεκινάτε τη διάτρηση σε χαμηλή ταχύτητα και με τη μύτη του τρυπανιού σε επαφή με το αντικείμενο εργασίας.** Σε υψηλότερες ταχύτητες, το τρυπάνι είναι πιθανό να λυγίσει αν

επιτραπεί να περιστραφεί ελεύθερα χωρίς να είναι σε επαφή με το αντικείμενο εργασίας, με αποτέλεσμα τραυματισμό.

- ◆ **Εφαρμόζετε πίεση μόνο σε ευθεία γραμμή με το τρυπάνι και μην εφαρμόζετε υπερβολική πίεση.** Τα τρυπάνια μπορεί να λυγίσουν προκαλώντας θραύση ή απώλεια του ελέγχου, με αποτέλεσμα τραυματισμό.
- ◆ **Χρησιμοποιείτε σφινγκήτρες ή άλλο πρακτικό τρόπο για να στερεώνετε και να στηρίζετε το αντικείμενο εργασίας σε σταθερό υπόβαθρο. Αν κρατάτε το αντικείμενο εργασίας με το χέρι σας ή κόντρα στο σώμα σας, δεν υπάρχει σταθερότητα και μπορεί να προκληθεί απώλεια του ελέγχου.**
- ◆ **Πριν βιδώσετε στοιχεία στερέωσης σε τοίχους, δάπεδα ή ταβάνια, ελέγχετε για τυχόν διερχόμενα καλώδια και σωλήνες.**
- ◆ **Η προβλεπόμενη χρήση περιγράφεται στο παρόν εγχειρίδιο οδηγιών.**
- ◆ **Η χρήση οποιουδήποτε αξεσουάρ ή προσαρτήματος ή η εκτέλεση οποιασδήποτε εργασίας με αυτό το εργαλείο διαφορετικής από αυτές που συνιστώνται στο παρόν εγχειρίδιο οδηγιών ενδέχεται να engυκμονεί κίνδυνο τραυματισμού και/ή υλικής ζημιάς.**

Ασφάλεια τρίτων

- ◆ Αυτό το εργαλείο δεν προορίζεται για χρήση από άτομα (στα οποία περιλαμβάνονται και τα παιδιά) με μειωμένες φυσικές, αισθητηριακές ή διανοητικές ικανότητες ή άτομα χωρίς εμπειρία και γνώσεις, παρά μόνο εφόσον επιτηρούνται ή τους έχουν δοθεί οδηγίες σχετικά με τη χρήση του εργαλείου, από άτομο υπεύθυνο για την ασφάλειά τους.
- ◆ Τα παιδιά πρέπει να επιτηρούνται για να διασφαλίζεται ότι δεν παίζουν με το εργαλείο.

Υπολειπόμενοι κίνδυνοι

Κατά τη χρήση του εργαλείου μπορεί να προκύψουν πρόσθετοι υπολειπόμενοι κίνδυνοι, οι οποίοι ενδέχεται να μη συμπεριλαμβάνονται στις προειδοποιήσεις ασφαλείας που εσωκλείονται. Αυτοί οι κίνδυνοι μπορεί να προκληθούν από κακή χρήση, παρατεταμένη χρήση κλπ. Παρά την εφαρμογή των σχετικών κανονισμών ασφαλείας και τη χρήση διατάξεων ασφαλείας, ορισμένοι υπολειπόμενοι κίνδυνοι δεν είναι δυνατό να αποφευχθούν. Σε αυτούς περιλαμβάνονται:

- ◆ Τραυματισμοί από επαφή με οποιαδήποτε περιστρεφόμενα/κιούμενα μέρη.
- ◆ Τραυματισμοί κατά την αλλαγή οποιωνδήποτε εξαρτημάτων, λεπίδων ή αξεσουάρ.
- ◆ Σωματικές βλάβες από παρατεταμένη χρήση εργαλείου. Όταν χρησιμοποιείτε οποιοδήποτε εργαλείο για παρατεταμένα χρονικά διαστήματα, μην παραλείπετε με κανένα τρόπο να κάνετε τακτικά διαλείμματα.

- ◆ Βλάβη της ακοής.
- ◆ Κίνδυνοι στην υγεία που προκαλούνται από την εισπνοή σκόνης όταν χρησιμοποιείτε το εργαλείο (παραδείγματα: όταν επεξεργάζεστε ξύλο, ειδικά δρυ, οξιά και MDF).

Κραδασμοί

Η δηλωμένη τιμή εκπομπής δόνησης που αναφέρεται στα τεχνικά χαρακτηριστικά και τη δήλωση συμμόρφωσης έχει μετρηθεί σύμφωνα με μια τυποποιημένη μέθοδο δοκιμής που παρέχεται από το πρότυπο EN 62841 και μπορεί να χρησιμοποιηθεί για τη σύγκριση ενός εργαλείου με ένα άλλο. Η δηλωμένη τιμή εκπομπής κραδασμών μπορεί επίσης να χρησιμοποιηθεί σε έναν προκαταρκτικό προσδιορισμό της έκθεσης σε κραδασμούς.

Προειδοποίηση! Η τιμή εκπομπής κραδασμών κατά την πραγματική χρήση του ηλεκτρικού εργαλείου μπορεί να διαφέρει από τη δηλωμένη τιμή, ανάλογα με τον τρόπο που χρησιμοποιείται το εργαλείο. Το επίπεδο κραδασμών μπορεί να αυξηθεί πάνω από το επίπεδο που έχει δηλωθεί.

Κατά τον προσδιορισμό της έκθεσης σε κραδασμούς για τον καθορισμό των απαιτούμενων μέτρων ασφάλειας σύμφωνα με την οδηγία 2002/44/EK για την προστασία προσώπων που χρησιμοποιούν συχνά ηλεκτρικά εργαλεία στην εργασία τους, μια προσεγγιστική εκτίμηση της έκθεσης σε κραδασμούς πρέπει να λαμβάνει υπόψη τις πραγματικές συνθήκες χρήσης και τον τρόπο χρήσης του εργαλείου, συμπεριλαμβανομένων και όλων των επιμέρους τμημάτων του κύκλου εργασίας, όπως πόσες φορές τέθηκε το εργαλείο εκτός λειτουργίας, πότε είναι σε λειτουργία χωρίς φορτίο, επιπλέον του χρόνου πίεσης της σκανδάλης.

Ετικέτες πάνω στο εργαλείο

Το εργαλείο φέρει τα παρακάτω προειδοποιητικά σύμβολα μαζί με τον κωδικό ημερομηνίας:



Προειδοποίηση! Για να μειωθεί ο κίνδυνος τραυματισμού, ο χρήστης πρέπει να διαβάσει το εγχειρίδιο οδηγιών.



Όταν χρησιμοποιείτε κρουστικά δράπανα, να φοράτε ωτοασπίδες. Η έκθεση σε θόρυβο μπορεί να προκαλέσει απώλεια ακοής.



Μην κοιτάζετε απευθείας στη λάμπα λειτουργίας

Πρόσθετες οδηγίες ασφαλείας για μπαταρίες και φορτιστές (Δεν παρέχονται με το εργαλείο)

Μπαταρίες

- ◆ Ποτέ μην επιχειρήσετε να τις ανοίξετε, για κανένα λόγο.
- ◆ Μην εκθέτετε την μπαταρία σε νερό.
- ◆ Μην αποθηκεύετε σε θέσεις όπου η θερμοκρασία ενδέχεται να υπερβεί τους 40 °C.

- ◆ Η φόρτιση πρέπει να γίνεται μόνο σε θερμοκρασίες περιβάλλοντος μεταξύ 10 °C και 40 °C.
- ◆ Φορτίστε μόνο με χρήση του φορτιστή που παρέχεται με το εργαλείο.
- ◆ Όταν απορρίπτετε μπαταρίες, ακολουθείτε τις οδηγίες στην ενότητα "Προστασία του περιβάλλοντος".



Μην επιχειρήσετε να φορτίσετε μπαταρίες που έχουν υποστεί ζημιά.

Φορτιστές

- ◆ Ο φορτιστής STANLEY FATMAX πρέπει να χρησιμοποιείται αποκλειστικά και μόνο για τη φόρτιση της μπαταρίας του εργαλείου το οποίο συνοδεύει. Άλλες μπαταρίες μπορεί να εκραγούν, προκαλώντας τραυματισμό και ζημιές.
- ◆ Ποτέ μην επιχειρήσετε να φορτίσετε μη επαναφορτιζόμενες μπαταρίες.
- ◆ Φροντίστε να αντικαθίστανται άμεσα τα καλώδια που έχουν υποστεί ζημιά.
- ◆ Μην εκθέτετε τον φορτιστή σε νερό.
- ◆ Μην ανοίξετε τον φορτιστή.
- ◆ Μην εισάγετε οποιαδήποτε αντικείμενα μέσα στο φορτιστή.



Ο φορτιστής προορίζεται για χρήση σε εσωτερικούς χώρους και μόνο.



Διαβάστε αυτό το εγχειρίδιο οδηγιών πριν από τη χρήση.

Ασφαλής χρήση ηλεκτρικού ρεύματος



Ο φορτιστής σας φέρει διπλή μόνωση, επομένως δεν απαιτείται αγωγός γείωσης. Ελέγχετε πάντα αν η τάση τροφοδοσίας αντιστοιχεί σε αυτήν που αναγράφεται στην πινακίδα στοιχείων. Ποτέ μην επιχειρήσετε να αντικαταστήσετε τη μονάδα φορτιστή με έναν κανονικό φιν ρεύματος δικτύου.

- ◆ Αν το καλώδιο ρεύματος έχει υποστεί ζημιά, πρέπει να αντικατασταθεί από τον κατασκευαστή ή εξουσιοδοτημένο κέντρο σέρβις Stanley Fat Max, για την αποφυγή κινδύνου.

Χαρακτηριστικά

Στη συσκευή αυτή διατίθενται ορισμένα ή όλα τα παρακάτω χαρακτηριστικά.

1. Διακόπτης σκανδάλης
2. Κομπτί ελέγχου κίνησης εμπρός/όπισθεν
3. Κολάρο ρύθμισης ροπή
4. Επιλογέας ταχύτητας δύο περιοχών

5. Αυτόματο τσok
6. Μπαταρία
7. Κουμπί απελευθέρωσης μπαταρίας
8. LED φωτισμού εργασίας
9. Υποδοχή μύτης

Χρήση

Προειδοποίηση! Αφήνετε το εργαλείο να λειτουργήσει με τον δικό του ρυθμό.

Μην το υπερφορτώνετε.

Φόρτιση της μπαταρίας

Η μπαταρία πρέπει να φορτίζεται πριν από την πρώτη χρήση και όποτε αδυνατεί να παρέχει επαρκή ισχύ σε εργασίες που παλιά ήταν εύκολη η εκτέλεσή τους. Η μπαταρία μπορεί να θερμαίνεται κατά τη φόρτιση. Κάτι τέτοιο είναι φυσιολογικό και δεν υποδηλώνει πρόβλημα.

Προειδοποίηση! Μη φορτίζετε την μπαταρία σε θερμοκρασίες περιβάλλοντος κάτω από 10 °C ή πάνω από 40 °C. Η συνιστώμενη θερμοκρασία φόρτισης είναι περίπου 24 °C. ΣΗΜΕΙΩΣΗ: Ο φορτιστής δεν θα φορτίσει μια μπαταρία με θερμοκρασία στοιχείων κάτω από περίπου 10 °C ή πάνω από 40 °C.

Η μπαταρία θα πρέπει να μείνει στο φορτιστή και αυτός θα αρχίσει να τη φορτίζει αυτόματα μόλις η θερμοκρασία στοιχείων αυξηθεί ή μειωθεί αντίστοιχα.

- ◆ Συνδέστε το φορτιστή σε κατάλληλη πρίζα πριν εισάγετε το πακέτο μπαταριών.
- ◆ Εισάγετε το πακέτο μπαταριών στο φορτιστή.



Η πράσινη λυχνία LED θα αναβοσβήνει υποδεικνύοντας ότι η μπαταρία φορτίζεται.



Η ολοκλήρωση της φόρτισης υποδεικνύεται όταν η κόκκινη φωτεινή ένδειξη παραμένει αναμμένη συνεχώς. Τότε το πακέτο είναι πλήρως φορτισμένο και μπορείτε να το χρησιμοποιήσετε ή να το αφήσετε τοποθετημένο στο φορτιστή

Προειδοποίηση! Επαναφορτίζετε τις αποφορτισμένες μπαταρίες το συντομότερο δυνατόν μετά τη χρήση, διαφορετικά μπορεί να μειωθεί πολύ η διάρκεια ζωής τους.

Διαγνωστικά φορτιστή

Αυτός ο φορτιστής έχει σχεδιαστεί ώστε να ανιχνεύει ορισμένα προβλήματα που μπορούν να προκύψουν με πακέτα μπαταριών ή με την πηγή ρεύματος. Τα προβλήματα υποδεικνύονται από μια λυχνία LED που αναβοσβήνει με διαφορετικά μοτίβα αναλαμπών.

Προβληματική μπαταρία



Ο φορτιστής μπορεί να ανιχνεύσει ότι μια μπαταρία είναι εξασθενημένη ή έχει υποστεί ζημιά. Η κόκκινη λυχνία LED αναβοσβήνει με το μοτίβο αναλαμπών που υποδεικνύεται στην ετικέτα. Αν δείτε αυτό το μοτίβο αναλαμπών που αντιστοιχεί σε προβληματική μπαταρία, μη συνεχίσετε τη φόρτιση της μπαταρίας. Επιστρέψτε την σε κέντρο σέρβις ή σε θέση συλλογής για ανακύκλωση

Καθυστέρηση θερμού/ψυχρού πακέτου



Αν ο φορτιστής ανιχνεύσει μπαταρία με υπερβολικά υψηλή ή χαμηλή θερμοκρασία, ξεκινά αυτόματα μια Καθυστέρηση θερμού/ψυχρού πακέτου μπαταρίας, αναστέλλοντας τη φόρτιση έως ότου η μπαταρία έχει φθάσει σε κατάλληλη θερμοκρασία. Αφού συμβεί αυτό, ο φορτιστής μεταβαίνει αυτόματα σε λειτουργία φόρτισης του πακέτου. Αυτή η λειτουργία διασφαλίζει τη μέγιστη διάρκεια ζωής της μπαταρίας. Η κόκκινη λυχνία LED αναβοσβήνει με το μοτίβο αναλαμπών που υποδεικνύεται στην ετικέτα όταν ανιχνεύσει η καθυστέρηση θερμού/ψυχρού πακέτου μπαταρίας.

Προβληματική γραμμή παροχής



Όταν ο φορτιστής χρησιμοποιείται με ορισμένες φορητές πηγές ρεύματος όπως γεννήτριες ή πηγές που μετατρέπουν συνεχές ρεύμα σε εναλλασσόμενο (DC σε AC), ο φορτιστής μπορεί να αναστείλει προσωρινά τη λειτουργία του. Η λυχνία LED αναβοσβήνει με το μοτίβο αναλαμπών που υποδεικνύεται στην ετικέτα. Αυτό υποδεικνύει ότι η πηγή ρεύματος είναι εκτός ορίων.

Παραμονή της μπαταρίας στον φορτιστή

Ο φορτιστής και το πακέτο μπαταριών μπορούν να παραμεί-

νουν συνδεδεμένα επ' αόριστον με τη λυχνία LED αναμμένη. Ο φορτιστής θα διατηρήσει το πακέτο μπαταριών πλήρως φορτισμένο.

Σημαντικές επισημάνσεις για τη φόρτιση

- ◆ Η μέγιστη διάρκεια ζωής και η βέλτιστη απόδοση μπορούν να επιτευχθούν αν το πακέτο μπαταριών φορτίζεται όταν η θερμοκρασία περιβάλλοντος είναι μεταξύ 18 °C και 24 °C (65 °F έως 75 °F). ΜΗΝ φορτίζετε το πακέτο μπαταριών σε θερμοκρασία αέρα κάτω από +40 °F (+4,5 °C) ή πάνω από +105 °F (+40,5 °C). Αυτό είναι σημαντικό και θα αποτρέψει σοβαρή ζημιά στο πακέτο μπαταριών.
- ◆ Ο φορτιστής και το πακέτο μπαταριών μπορεί να θερμανθούν κατά τη φόρτιση. Αυτό είναι κανονικό φαινόμενο και όχι ένδειξη προβλήματος. Για να διευκολύνετε την ψύξη του πακέτου μπαταριών μετά τη χρήση, αποφεύγετε να τοποθετήτε το φορτιστή ή το πακέτο μπαταριών σε θερμό περιβάλλον, όπως σε μεταλλικό παράπηγμα ή σε μη μονωμένο τρέιλερ.
- ◆ Αν το πακέτο μπαταριών δεν φορτίζεται σωστά:
 - ◆ Ελέγξτε το ρεύμα συνδέοντας μία λάμπα ή άλλη ηλεκτρική συσκευή.
 - ◆ Ελέγξτε μήπως η πρίζα συνδέεται σε διακόπτη φώτων που διακόπτει το ρεύμα όταν σβήνεται τα φώτα.
 - ◆ Μετακινήστε το φορτιστή και το πακέτο μπαταριών σε θέση όπου η θερμοκρασία αέρα περιβάλλοντος είναι περίπου 18 °C - 24 °C (65 °F - 75 °F). Αν τα προβλήματα φόρτισης επιμένουν, παραδώστε το εργαλείο, το πακέτο μπαταριών και το φορτιστή στο τοπικό σας κέντρο σέρβις Stanley Fat Max.
- ◆ Το πακέτο μπαταριών πρέπει να επαναφορτίζεται όταν δεν είναι σε θέση να παράγει επαρκή ισχύ σε εργασίες που γινόντουσαν εύκολα πιο πριν.
- ◆ ΜΗ ΣΥΝΕΧΙΣΕΤΕ να χρησιμοποιείτε το εργαλείο υπό αυτές τις συνθήκες. Ακολουθείτε τη διαδικασία φόρτισης.
- ◆ Μπορείτε επίσης να φορτίσετε όποτε επιθυμείτε ένα πακέτο μπαταριών που δεν έχει εξαντληθεί πλήρως, χωρίς αυτό να έχει αρνητικές συνέπειες στο πακέτο μπαταριών.

Εισαγωγή και αφαίρεση του πακέτου μπαταριών από το εργαλείο

Προειδοποίηση! Βεβαιωθείτε ότι είναι πατημένο το κουμπί ασφαλίσης, για να αποφύγετε τυχόν ενεργοποίηση του διακόπτη πριν από την αφαίρεση ή την τοποθέτηση της μπαταρίας.

Για την εγκατάσταση του πακέτου μπαταριών

- ◆ Εισάγετε το πακέτο μπαταριών με σταθερή πίεση μέσα στο εργαλείο έως ακούσετε ήχο ασφάλισης, όπως δείχνει η εικόνα Α. Βεβαιωθείτε ότι το πακέτο μπαταριών έχει εδράσει πλήρως και έχει ασφαλίσει καλά στη θέση του.

Για να αφαιρέσετε το πακέτο μπαταριών

- ◆ Πατήστε το κουμπί απελευθέρωσης μπαταρίας (7) όπως δείχνει η εικόνα Β και τραβήξτε το πακέτο μπαταριών έξω από το εργαλείο.

Διακόπτης σκανδάλης και κουμπί ελέγχου κίνησης εμπρός/όπισθεν - εικόνα C

- ◆ Το δράπανο ενεργοποιείται με πάτημα και απελευθέρωση του διακόπτη σκανδάλης (1) όπως δείχνει η εικόνα C. Όσο περισσότερο πατάτε τη σκανδάλη, τόσο ταχύτερα λειτουργεί το δράπανο.
- ◆ Ένα κουμπί ελέγχου κίνησης εμπρός/όπισθεν (2) καθορίζει την κατεύθυνση περιστροφής του εργαλείου και ταυτόχρονα χρησιμεύει και ως κουμπί ασφαλίσης σε απενεργοποιημένη κατάσταση.
- ◆ Για να επιλέξετε περιστροφή προς τα εμπρός, απελευθερώστε τον διακόπτη σκανδάλης και πιέστε το κουμπί ελέγχου κίνησης εμπρός/όπισθεν στη δεξιά πλευρά του εργαλείου.
- ◆ Για να επιλέξετε περιστροφή όπισθεν, πιέστε το κουμπί ελέγχου κίνησης εμπρός/όπισθεν στην αριστερή πλευρά του εργαλείου.
- ◆ Η μεσαία θέση του κουμπιού ελέγχου ασφαλίζει το εργαλείο σε απενεργοποιημένη κατάσταση. Όταν αλλάζετε τη θέση του κουμπιού ελέγχου, να βεβαιώνετε ότι έχει ελευθερωθεί η σκανδάλη.

Ρύθμιση συστήματος ελέγχου ροπής - εικόνα D

Αυτό το εργαλείο είναι εξοπλισμένο με ένα κολάρο (3) για την επιλογή τρόπου λειτουργίας και για τη ρύθμιση της ροπής, όταν σφίγγετε βίδες. Για μεγάλες βίδες και σκληρά υλικά αντικειμένων εργασίας απαιτείται ρύθμιση μεγαλύτερης ροπής από ότι για μικρές βίδες και μαλακά υλικά αντικειμένων εργασίας.

- ◆ Για διάτρηση σε ξύλο, μέταλλο και πλαστικό, ρυθμίστε το κολάρο στη θέση με το σύμβολο της διάτρησης.
- ◆ Για βίδωμα, θέστε το κολάρο στην επιθυμητή ρύθμιση. Εάν δε γνωρίζετε ακόμη την κατάλληλη ρύθμιση, ενεργήστε ως εξής:
 - ◆ Τοποθετήστε το κολάρο στη χαμηλότερη ρύθμιση ροπής.
 - ◆ Σφίξτε την πρώτη βίδα.
 - ◆ Αν κατά τη προσπάθεια να σφίξετε τη βίδα διαπιστώσετε αντίσταση και δεν επιτυγχάνεται το επιθυμητό αποτέλεσμα, αυξήστε τη ρύθμιση του κολάρου και συνεχίστε να σφίγγετε τη βίδα.
 - ◆ Επαναλάβετε μέχρι να επιτύχετε τη σωστή ρύθμιση.
 - ◆ Χρησιμοποιήστε την ίδια ρύθμιση και για τις υπόλοιπες βίδες.

Διακόπτης διπλής περιοχής - εικόνα E

Το χαρακτηριστικό διπλής περιοχής του δρανάνου, σας επιτρέπει να αλλάζετε ταχύτητες για μεγαλύτερη ευελιξία χρήσης.

- ♦ Για να επιλέξετε τη ρύθμιση χαμηλής ταχύτητας, υψηλής ροπής (θέση 1), απενεργοποιήστε το εργαλείο και αφήστε το να σταματήσει. Μετακινήστε το κουμπί επιλογής ταχύτητας (4) σε κατεύθυνση αντίθετη του τσοκ.
- ♦ Για να επιλέξετε τη ρύθμιση υψηλής ταχύτητας, χαμηλής ροπής (θέση 2), απενεργοποιήστε το εργαλείο και αφήστε το να σταματήσει. Μετακινήστε το κουμπί επιλογής ταχύτητας πίσω προς την κατεύθυνση του τσοκ.

ΣΗΜΕΙΩΣΗ: Μην αλλάζετε ταχύτητα με το εργαλείο εν κινήσει. Αν δυσκολεύεστε στην αλλαγή ταχυτήτων, βεβαιωθείτε ότι το κουμπί επιλογής της διπλής περιοχής ταχυτήτων έχει μετακινηθεί είτε τελείως μπροστά είτε τελείως πίσω.

Αυτόματο τσοκ - εικόνα F

Προειδοποίηση! Βεβαιωθείτε ότι έχει αφαιρεθεί το πακέτο μπαταριών, για να αποτρέψετε ενεργοποίηση του εργαλείου, πριν από την τοποθέτηση ή την αφαίρεση αξεσουάρ.

Για να τοποθετήσετε ένα τρυπάνι ή άλλο αξεσουάρ:

- ♦ Κρατήστε το τσοκ (5) και περιστρέψτε το αριστερόστροφα, όπως βλέπετε από την άκρη του τσοκ.
- ♦ Τοποθετήστε τη μύτη ή άλλο αξεσουάρ τελείως μέσα στο τσοκ και σφίξτε το τσοκ καλά περιστρέφοντάς το δεξιόστροφα όπως φαίνεται από το άκρο τσοκ.

Προειδοποίηση! Μην επιχειρήσετε να σφίξετε ή να ξεσφίξετε τα τρυπάνια (ή οποιοδήποτε άλλο αξεσουάρ) πιάνοντας το μπροστινό μέρος του τσοκ και ενεργοποιώντας το εργαλείο. Μπορεί να προκληθεί ζημία στο τσοκ και τραυματισμός αλλάζοντας αξεσουάρ με αυτόν τον τρόπο.

Βίδωμα

- ♦ Για το βίδωμα, το κουμπί ελέγχου κίνησης εμπρός/πίσθεν πρέπει να είναι πατημένο προς τα αριστερά.
- ♦ Για ξεβίδωμα χρησιμοποιήστε την αντίθετη θέση (κουμπί πατημένο προς τα δεξιά).

ΣΗΜΕΙΩΣΗ: Όταν αλλάζετε κίνηση από εμπρός σε πίσθεν, ή αντίστροφα, πάντα να απελευθερώνετε πρώτα το διακόπτη σκανδάλης.

Διάτρηση

- ♦ Χρησιμοποιείτε αιχμηρά τρυπάνια και μόνο.
- ♦ Υποστηρίξτε και στερεώστε σωστά το αντικείμενο εργασίας, όπως υποδεικνύεται στις Οδηγίες ασφαλείας.
- ♦ Χρησιμοποιείτε τον κατάλληλο και απαιτούμενο εξοπλισμό ασφαλείας, όπως υποδεικνύεται στις Οδηγίες ασφαλείας.
- ♦ Προστατεύετε και διατηρείτε σε καλή κατάσταση την περιοχή εργασίας, σύμφωνα με τις Οδηγίες ασφαλείας.
- ♦ Ξεκινάτε τη διάτρηση με πολύ μικρή ταχύτητα, χρησιμοποιώντας μόνο μικρή πίεση, έως ότου ξεκινήσει η σπή και επαρκεί να συγκρατεί το τρυπάνι χωρίς να κινδυνεύει να γλιστρήσει έξω από αυτή.
- ♦ Ασκήστε πίεση σε ευθεία γραμμή με το τρυπάνι. Ασκήστε όση πίεση χρειάζεται για να μπορεί το τρυπάνι να διεισ-

δύει στο αντικείμενο, όχι όμως σε υπερβολικό βαθμό γιατί υπάρχει κίνδυνος να κολλήσει το μοτέρ ή να στραβώσει το τρυπάνι.

- ♦ Κρατάτε το δράπανο σταθερά και με τα δύο χέρια, με το ένα χέρι στη λαβή και με το άλλο να πιάνει το κάτω μέρος γύρω από την περιοχή της μπαταρίας ή τη βοηθητική λαβή αν παρέχεται τέτοια λαβή.
- ♦ **ΑΝ ΤΟ ΔΡΑΠΑΝΟ ΑΚΙΝΗΤΟΠΟΙΗΘΕΙ, ΜΗΝ ΠΑΤΑΤΕ ΚΑΙ ΑΦΗΝΕΤΕ ΤΗ ΣΚΑΝΔΑΛΗ ΠΡΟΣΠΑΘΩΝΤΑΣ ΝΑ ΤΟ ΘΕΣΕΤΕ ΠΑΛΙ ΣΕ ΚΙΝΗΣΗ. ΜΠΟΡΕΙ ΝΑ ΠΡΟΚΛΗΘΕΙ ΖΗΜΙΑ ΣΤΟ ΔΡΑΠΑΝΟ.**
- ♦ Ελαχιστοποιήστε το ενδεχόμενο κολλήματος μειώνοντας την πίεση και τρυπώντας αργά στο τελευταίο τμήμα της σπής.
- ♦ Αφήστε το μοτέρ να λειτουργεί καθώς βγάζετε το τρυπάνι του εργαλείου από μια σπή που μόλις διανοίξατε. Αυτό συμβάλλει στον περιορισμό του κολλήματος.
- ♦ Βεβαιωθείτε ότι ο διακόπτης ενεργοποιεί και απενεργοποιεί το δράπανο.

Διάτρηση σε ξύλο

Οι σπές στο ξύλο μπορούν να γίνουν με τα ίδια ελικοειδή τρυπάνια που χρησιμοποιούνται για τη διάτρηση μετάλλων ή με τρυπάνια φερού. Αυτά τα τρυπάνια θα πρέπει να είναι αιχμηρά και να τα τραβάτε έξω συχνά κατά τη διάτρηση ώστε να φεύγουν τα πριονίδια από τις αυλακώσεις τους.

Διάτρηση μετάλλου

Χρησιμοποιείτε λιπαντικό κοπής κατά τη διάτρηση μετάλλων. Εξαιρέσεις είναι ο χυτοσίδηρος και ο ορείχαλκος όπου πρέπει να γίνεται ξηρή διάτρηση. Τα πιο αποτελεσματικά λιπαντικά κοπής είναι το θειωμένο λάδι κοπής.

Διάτρηση τοιχοποιίας

Για διάτρηση τοιχοποιίας, θέστε το κολάρο (3) στη θέση διάτρησης με κρούση, ευθυγραμμίζοντας το σύμβολο με το σημάδι. Χρησιμοποιείτε μύτες για τοιχοποιία με άκρο καρβιδίου. Συμβουλευθείτε το τμήμα Διάτρηση. Διατηρείτε ομοιόμορφη πίεση στο δράπανο, όχι όμως σε υπερβολικό βαθμό γιατί μπορεί να προκληθεί ρηγμάτωση στο εύθραυστο υλικό. Μια ομαλή, ομοιόμορφη ροή σκόνης υποδηλώνει σωστό ρυθμό διάτρησης.

Φως εργασίας LED

Όταν ενεργοποιείται το δράπανο με τράβηγμα του διακόπτη σκανδάλης (1), ανάβει αυτόματα το ενσωματωμένο φως εργασίας LED (8) ώστε να φωτίζεται η περιοχή εργασίας. **ΣΗΜΕΙΩΣΗ:** Το φως εργασίας προορίζεται για το φωτισμό της άμεσης επιφάνειας εργασίας και δεν προορίζεται για χρήση ως φακός.

Φύλαξη των μυτών

Υπάρχει ενσωματωμένη υποδοχή φύλαξης μυτών (9) στη βάση του εργαλείου.

Αντιμετώπιση προβλημάτων

Πρόβλημα	Πιθανή αιτία	Πιθανή λύση
Η μονάδα δεν τίθεται σε λειτουργία.	Το πακέτο μπαταριών δεν έχει εγκατασταθεί σωστά. Το πακέτο μπαταριών δεν είναι φορτισμένο.	Ελέγξτε την τοποθέτηση του πακέτου μπαταριών. Ελέγξτε τις απαιτήσεις φόρτισης του πακέτου μπαταριών
Η μονάδα αρχίζει να λειτουργεί αμέσως μετά την τοποθέτηση της μπαταρίας	Ο διακόπτης έχει παραμείνει στη θέση "ενεργοποίησης".	Πρέπει να κινήσετε το διακόπτη στη θέση "απενεργοποίησης", για να αποτρέψετε την άμεση έναρξη κίνησης του εργαλείου κατά την εισαγωγή της μπαταρίας.
Το πακέτο μπαταριών δεν φορτίζεται.	Δεν έχει τοποθετηθεί πακέτο μπαταριών στο φορτιστή. Ο φορτιστής δεν έχει συνδεθεί. Η θερμοκρασία αέρα περιβάλλοντος είναι πολύ θερμή ή πολύ ψυχρή.	Τοποθετήστε το πακέτο μπαταριών στο φορτιστή μέχρι να ανάψει η λυχνία LED. Συνδέστε τον φορτιστή σε μια πρίζα που λειτουργεί. Μετακινήστε το φορτιστή και το πακέτο μπαταριών σε θέση με θερμοκρασία αέρα περιβάλλοντος πάνω από 4,5 βαθμούς C (40 °F) ή κάτω από +40,5 βαθμούς C (105 °F)
Η μονάδα σβήνει ξαφνικά.	Το πακέτο μπαταριών έχει φθάσει στο όριο μέγιστης θερμοκρασίας του. Εκτός φόρτισης. (Για να μεγιστοποιηθεί η διάρκεια χρήσης του, το πακέτο μπαταριών έχει σχεδιαστεί να απενεργοποιείται άμεσα όταν εξαντληθεί η φόρτίσή του)	Αφήστε το πακέτο μπαταριών να κρυώσει. Τοποθετήστε το στο φορτιστή και αφήστε το να φορτιστεί.

Συντήρηση

Αυτό το εργαλείο της Stanley Fat Max έχει σχεδιαστεί έτσι ώστε να λειτουργεί για μεγάλο χρονικό διάστημα με την ελάχιστη δυνατή συντήρηση. Η συνεχής ικανοποιητική λειτουργία του εργαλείου εξαρτάται από τη σωστή φροντίδα και τον τακτικό καθαρισμό του.

Ο φορτιστής σας δεν χρειάζεται οποιαδήποτε συντήρηση πέραν του τακτικού καθαρισμού.

Προειδοποίηση! Πριν πραγματοποιήσετε κάποια συντήρηση στο εργαλείο, αφαιρέστε την μπαταρία από το εργαλείο. Πριν καθαρίσετε τον φορτιστή, αποσυνδέστε τον από την πρίζα.

- ◆ Καθαρίζετε τακτικά τις εγκοπές εξαιρισμού του εργαλείου και του φορτιστή χρησιμοποιώντας μια μαλακή βούρτσα ή ένα στεγνό πανί.
- ◆ Καθαρίζετε τακτικά το περίβλημα του μοτέρ χρησιμοποιώντας ένα ελαφρά υγρό πανί. Μη χρησιμοποιείτε καθαριστικά που χαράζουν ή περιέχουν διαλύτες.
- ◆ Να ανοίγεται τακτικά το τσοκ και να το χτυπάτε ελαφρά για να αφαιρείται η σκόνη από το εσωτερικό του.

Προστασία του περιβάλλοντος



Χωριστή συλλογή. Τα προϊόντα και οι μπαταρίες που επισμαίνονται με αυτό το σύμβολο δεν πρέπει να απορρίπτονται μαζί με τα κανονικά οικιακά απορρίμματα.

Τα προϊόντα και οι μπαταρίες περιέχουν υλικά που μπορούν να ανακτηθούν ή να ανακυκλωθούν ώστε να μειωθούν οι ανάγκες για πρώτες ύλες. Παρακαλούμε να ανακυκλώνετε τα ηλεκτρικά προϊόντα και τις μπαταρίες σύμφωνα με τους τοπικούς κανονισμούς. Περισσότερες πληροφορίες διατίθενται στον ιστότοπο www.2helpU.com.

Τεχνικά χαρακτηριστικά

		FMC626
Τάση	V _{DC}	18 V
Ταχύτητα χωρίς φορτίο	min ⁻¹	0-350/0-1500
Μέγ. ροπή	Nm	47
Μέγεθος τσοκ	mm	13
Μέγ. ικανότητα διάτρησης		
Χάλυβας/ξύλο/ειδη τοιχοποιίας	mm	13/35/13
Βάρος	kg	1.2

Φορτιστής	905998**	906086**	
Τάση εισόδου	V _{AC}	230	230
Τάση εξόδου	V _{DC}	18	18
Ρεύμα	mA	1000	2000
Χρόνος φόρτισης κατά προσέγγιση	Λεπτά	80-240	40-120

Μπαταρία	FMC685L	FMC687L	FMC684L	
Τάση	V _{AC}	18	18	18
Χωρητικότητα	Ah	1,5	2,0	1,3

Μπαταρία	FMC685L	FMC687L	FMC684L
Τύπος	Ιόντων λίθιου	Ιόντων λιθίου	Ιόντων λίθιου

Στάθμη ηχητικής πίεσης κατά EN 62841:

Ηχητική πίεση (L_{pA}) 87,0 dB(A), αβεβαιότητα (K) 5 dB(A)

Ηχητική ισχύς (L_{WA}) 98,0 dB(A), αβεβαιότητα (K) 5 dB(A)

Οι συνολικές τιμές κραδασμών (διανυσματικό άθροισμα τριών αξόνων)
κατά EN 60745:

Διάτρηση σε μέταλλο ($a_{h,D}$) < 2,5 m/s², αβεβαιότητα (K) 1,5 m/s²

Κρουστική διάτρηση σε σκυρόδεμα ($a_{h,D}$) 14,9 m/s², αβεβαιότητα (K) 1,5 m/s²

Δήλωση συμμόρφωσης ΕΚ

ΟΔΗΓΙΑ ΣΧΕΤΙΚΑ ΜΕ ΤΑ ΜΗΧΑΝΗΜΑΤΑ



FMC626 - Κρουστικό δράπανο μπαταρίας

Η Stanley Fat Max δηλώνει ότι αυτά τα προϊόντα που περιγράφονται στα "τεχνικά χαρακτηριστικά" συμμορφώνονται

με τα εξής:

2006/42/EK, EN62841-1:2015, EN62841-2-1:2018+A11:2019.

Αυτά τα προϊόντα συμμορφώνονται επίσης με την οδηγία 2014/30/EE και 2011/65/EE.

Για περισσότερες πληροφορίες, επικοινωνήστε με την Stanley Fat Max στην παρακάτω διεύθυνση ή ανατρέξτε στο πίσω μέρος του εγχειριδίου.

Ο κάτωθι υπογεγραμμένος είναι υπεύθυνος για την κατάρτιση του τεχνικού φακέλου και δηλώνει τα παρόντα εκ μέρους της Stanley Fat Max.

Patrick Diepenbach

Patrick Diepenbach
Γενικός διευθυντής, Μπενελούξ
Stanley Fat Max,
Egide Walschaertsstraat 14-18
2800 Mechelen, Belgium (Βέλγιο)
30/09/2021

Εγγύηση

Η Stanley Fat Max είναι σίγουρη για την ποιότητα των προϊόντων της και προσφέρει στους καταναλωτές εγγύηση 12 μηνών από την ημερομηνία αγοράς. Αυτή η εγγύηση αποτελεί πρόσθετο δικαίωμά σας και δεν ζημιώνει τα νόμιμα δικαιώματά σας. Η εγγύηση ισχύει εντός της επικράτειας των χωρών μελών της Ευρωπαϊκής Ένωσης και της Ευρωπαϊκής Ζώνης Ελεύθερων Συναλλαγών.

Για να υποβάλετε αξίωση βάσει της εγγύησης, η αξίωση θα πρέπει να είναι σύμφωνη με τους Όρους και προϋποθέσεις της Stanley Fat Max και θα χρειαστεί να υποβάλετε απόδειξη αγοράς στον πωλητή ή σε εξουσιοδοτημένο αντιπρόσωπο επισκευών. Μπορείτε να δείτε τους Όρους και προϋποθέσεις της εγγύησης 1 έτους της Stanley Fat Max και την τοποθεσία του πλησιέστερου εξουσιοδοτημένου αντιπροσώπου σέρβις, στο Internet στη διεύθυνση www.2helpU.com, ή επικοινωνώντας με το τοπικό σας γραφείο Stanley Fat Max στη διεύθυνση που υποδεικνύεται στο παρόν εγχειρίδιο.

Επισκεφθείτε τον ιστότοπό μας www.stanley.eu/3 για να καταχωρίσετε το καινούργιο προϊόν Stanley Fat Max που αποκτήσατε και για να λαμβάνετε ενημερώσεις σχετικά με νέα προϊόντα και ειδικές προσφορές

België/Belgique	STANLEY FATMAX E. Walschaertstraat 14-16 2800 Mechelen Belgium	De. Tel. +32 70 220 065 Fr. Tel. +32 70 220 066 Fax +32 15 473 799 www.stanleytools.eu Enduser.be@SBDinc.com
Danmark	STANLEY FATMAX Farveland 1B 2600 Glostrup	Tel. 70 20 15 10 Fax 70 22 49 10 www.stanleyworks.dk
Deutschland	STANLEY FATMAX Richard Klinger Str. 11, D - 65510 Idstein	Tel. 06126 21-1 Fax 06126 21-2770
Ελλάδα	STANLEY FATMAX Στράβωνος 7 & Λεωφ. Βουλιαγμένης 159 Γλυφάδα 166 74 - Αθήνα	Τηλ. +30 210 8981-616 Φαξ +30 210 8983-285 www.stanleyworks.gr
España	STANLEY FATMAX. Parc de Negocis "Mas Blau" Edificio Muntadas, c/Bergadá, 1, Of. A6 08820 El Prat de Llobregat (Barcelona)	Tel. 934 797 400 Fax 934 797 419 respuesta.postventa@sbdinc.com www.stanleyworks.es
France	STANLEY FATMAX 5 allée des Hêtres B.P. 30084 69579 Limonest Cédex	Tel. 04 72 20 39 20 Fax 04 72 20 39 00 www.stanleyoutillage.fr
Helvetia	STANLEY FATMAX In der Luberzen 40 8902 Urdorf	Tel. 01 730 67 47 Fax 01 730 70 67 www.stanleyworks.de
Italia	STANLEY FATMAX Energypark–Building 03 sud, Via Monza 7/A 20871 Vimercate (MB)	Tel. 039-9590200 Fax 039-9590313 www.stanley.it
Nederland	STANLEY FATMAX Joulehof 12, 4600 RG Bergen op Zoom	Tel. +31 164 283 065 Fax +31 164 283 200 Enduser.NL@SBDinc.com
Norge	STANLEY FATMAX Postboks 4613, Nydalen 0405 Oslo	Tif. 45 25 13 00 Fax 45 25 08 00
Österreich	STANLEY FATMAX Oberlaaerstraße 248, A-1230 Wien	Tel. 01 66116-0 Fax 01 66116-614 www.stanleyworks.de
Portugal	STANLEY FATMAX Centro de Escritórios de Sintra Avenida Almirante Gago Coutinho, 132/134, Edifício 142710-418 Sintra 2710-418 Lisboa	Tel. 214667500 Fax 214667575 resposta.posvenda@sbdinc.com
Suomi	STANLEY FATMAX Tekniikantie 12, 02150 Espoo	Puh. 010 400 430 Faksi 0800 411 340 www.stanleyworks.fi
Sverige	STANLEY FATMAX Box 94, 431 22 Mölndal	Tel. 031-68 61 00 Fax 031-68 60 08
Türkiye	STANLEY FATMAX KALE Hirdavat ve Makina A.Ş. Deftedar Mah. Savaklar Cad. No:15 Edimekapı / Eyüp / İSTANBUL 34050	Puh. 0212 533 52 55 Faks 0212 533 10 05 www.stanleyworks.fi
United Kingdom	STANLEY FATMAX 270 Bath Road Slough, Berkshire SL1 4DX	Tel. +44 (0)1753 511234 Fax +44 (0)1753 551155 www.stanleytools.co.uk
Middle East & Africa	STANLEY FATMAX P.O.Box - 17164 Jebel Ali (South Zone), Dubai, UAE	Tel. +971 4 8127400 Fax +971 4 8127036 www.stanleyworks.ae