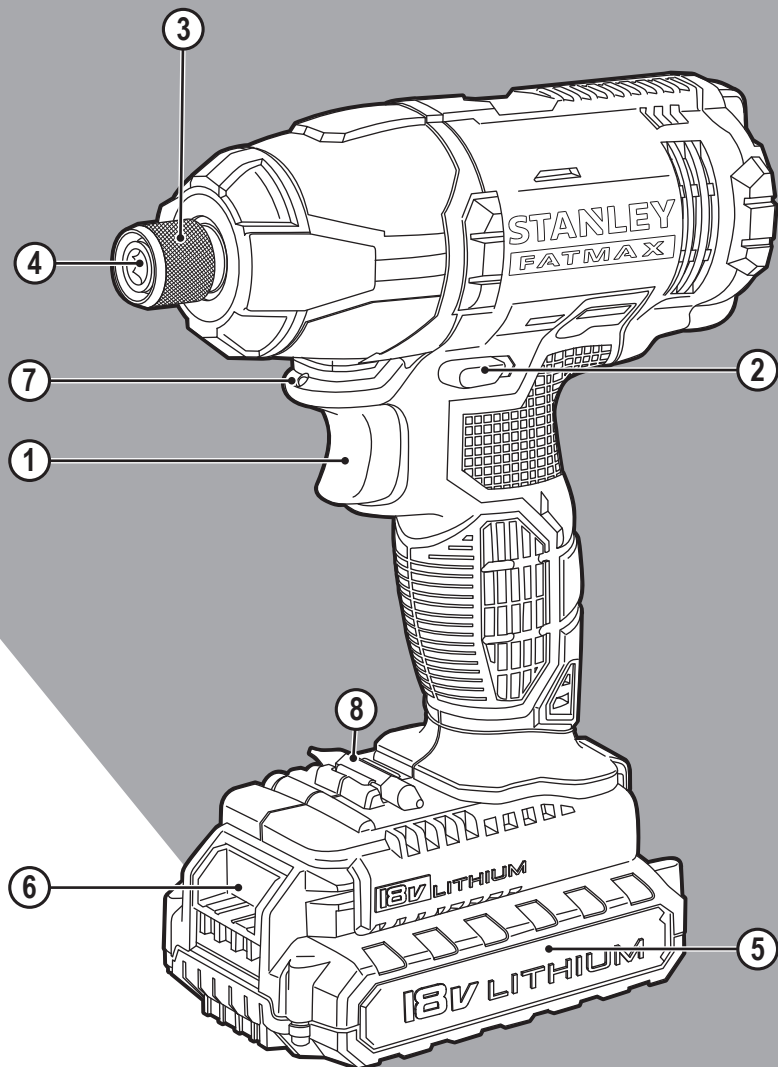


STANLEY®

FATMAX®



www.stanley.eu

FMC641

EN

DE

FR

IT

NL

ES

PT

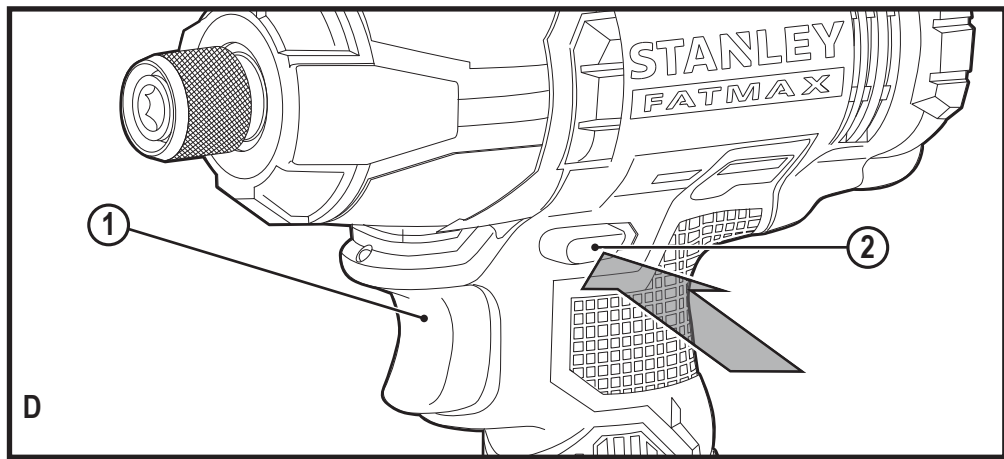
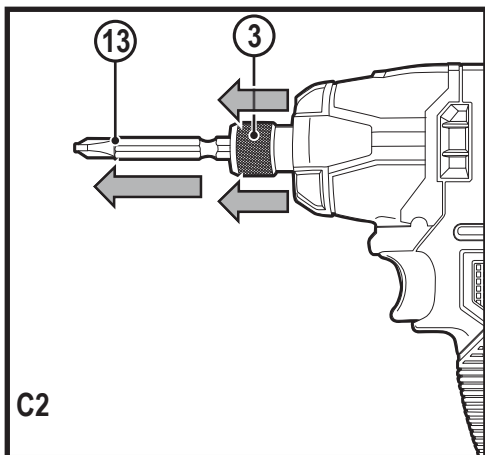
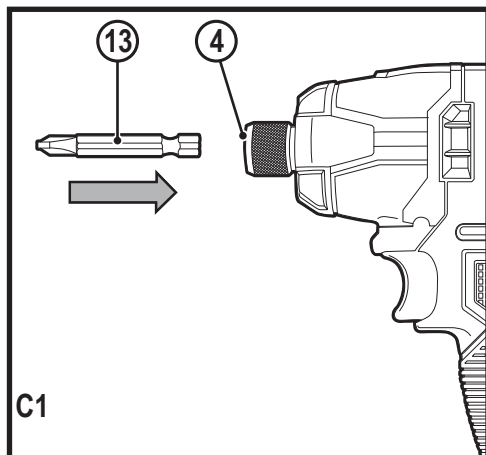
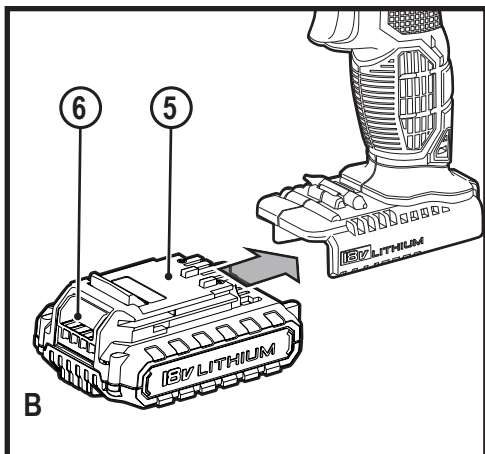
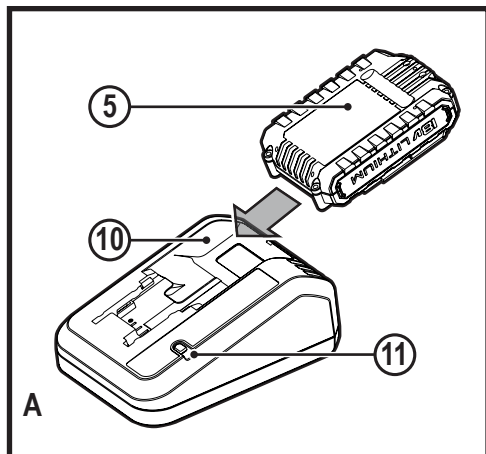
SV

NO

DK

FI

EL



Intended use

Your Stanley Fat Max FMC641 impact wrench has been designed for screwdriving and nut setting applications. This appliance is intended for professional and private, non professional users.

Safety instructions

General power tool safety warnings



Warning! Read all safety warnings and all instructions. Failure to follow the warnings and instructions listed below may result in electric shock, fire and/or serious injury.

Save all warnings and instructions for future reference.

The term "power tool" in all of the warnings listed below refers to your mains operated (corded) power tool or battery operated (cordless) power tool.

1. Work area safety

- Keep work area clean and well lit.** Cluttered or dark areas invite accidents.
- Do not operate power tools in explosive atmospheres, such as in the presence of flammable liquids, gases or dust.** Power tools create sparks which may ignite the dust or fumes.
- Keep children and bystanders away while operating a power tool.** Distractions can cause you to lose control.

2. Electrical safety

- Power tool plugs must match the outlet. Never modify the plug in any way. Do not use any adapter plugs with earthed (grounded) power tools.** Unmodified plugs and matching outlets will reduce risk of electric shock.
- Avoid body contact with earthed or grounded surfaces such as pipes, radiators, ranges and refrigerators.** There is an increased risk of electric shock if your body is earthed or grounded.
- Do not expose power tools to rain or wet conditions.** Water entering a power tool will increase the risk of electric shock.
- Do not abuse the cord. Never use the cord for carrying, pulling or unplugging the power tool. Keep cord away from heat, oil, sharp edges or moving parts.** Damaged or entangled cords increase the risk of electric shock.
- When operating a power tool outdoors, use an extension cord suitable for outdoor use.** Use of a cord suitable for outdoor use reduces the risk of electric shock.
- If operating a power tool in a damp location is unavoidable, use a residual current device (RCD) protected supply.**

Use of an RCD reduces the risk of electric shock.

3. Personal safety

- Stay alert, watch what you are doing and use common sense when operating a power tool. Do not use a power tool while you are tired or under the influence of drugs, alcohol or medication.** A moment of inattention while operating power tools may result in serious personal injury.
 - Use personal protective equipment. Always wear eye protection.** Protective equipment such as dust mask, non-skid safety shoes, hard hat, or hearing protection used for appropriate conditions will reduce personal injuries.
 - Prevent unintentional starting. Ensure the switch is in the off-position before connecting to power source and/or battery pack, picking up or carrying the tool.** Carrying power tools with your finger on the switch or energising power tools that have the switch on invites accidents.
 - Remove any adjusting key or wrench before turning the power tool on.** A wrench or a key left attached to a rotating part of the power tool may result in personal injury.
 - Do not overreach. Keep proper footing and balance at all times.** This enables better control of the power tool in unexpected situations.
 - Dress properly. Do not wear loose clothing or jewellery. Keep your hair, clothing and gloves away from moving parts.** Loose clothes, jewellery or long hair can be caught in moving parts.
 - If devices are provided for the connection of dust extraction and collection facilities, ensure these are connected and properly used.** Use of dust collection can reduce dust-related hazards.
- #### 4. Power tool use and care
- Do not force the power tool. Use the correct power tool for your application.** The correct power tool will do the job better and safer at the rate for which it was designed.
 - Do not use the power tool if the switch does not turn it on and off.** Any power tool that cannot be controlled with the switch is dangerous and must be repaired.
 - Disconnect the plug from the power source and/or the battery pack from the power tool before making any adjustments, changing accessories, or storing power tools.** Such preventive safety measures reduce the risk of starting the power tool accidentally.
 - Store idle power tools out of the reach of children and do not allow persons unfamiliar with the power tool or these instructions to operate the power tool.** Power tools are dangerous in the hands of untrained users.

- e. **Maintain power tools. Check for misalignment or binding of moving parts, breakage of parts and any other condition that may affect the power tools operation. If damaged, have the power tool repaired before use.** Many accidents are caused by poorly maintained power tools.
- f. **Keep cutting tools sharp and clean.** Properly maintained cutting tools with sharp cutting edges are less likely to bind and are easier to control.
- g. **Use the power tool, accessories and tool bits etc. in accordance with these instructions, taking into account the working conditions and the work to be performed.** Use of the power tool for operations different from those intended could result in a hazardous situation.

5. Battery tool use and care

- a. **Recharge only with the charger specified by the manufacturer.** A charger that is suitable for one type of battery pack may create a risk of fire when used with another battery pack.
- b. **Use power tools only with specifically designated battery packs.** Use of any other battery packs may create a risk of injury and fire.
- c. **When battery pack is not in use, keep it away from other metal objects, like paper clips, coins, keys, nails, screws, or other small metal objects, that can make a connection from one terminal to another.** Shorting the battery terminals together may cause burns or a fire.
- d. **Under abusive conditions, liquid may be ejected from the battery; avoid contact. If contact accidentally occurs, flush with water. If liquid contacts eyes, additionally seek medical help.** Liquid ejected from the battery may cause irritation or burns.

6. Service

- a. **Have your power tool serviced by a qualified repair person using only identical replacement parts.** This will ensure that the safety of the power tool is maintained.

Additional power tool safety warnings



Warning! Additional safety warnings for impact wrenches

- ◆ **Wear ear protectors with impact drills.** Exposure to noise can cause hearing loss.
- ◆ **Use auxiliary handles supplied with the tool.** Loss of control can cause personal injury.
- ◆ **Hold power tool by insulated gripping surfaces, when performing an operation where the fastener may contact hidden wiring.**

Fasteners contacting a "live" wire may make exposed metal parts of the power tool "live" and could give the operator an electric shock.

- ◆ **Use clamps or another practical way to secure and support the workpiece to a stable platform.** Holding the work by hand or against your body leaves it unstable and may lead to loss of control.
- ◆ The intended use is described in this instruction manual. The use of any accessory or attachment or performance of any operation with this tool other than those recommended in this instruction manual may present a risk of personal injury and/or damage to property.



Warning! Impact wrenches are not torque wrenches. Do not use this tool for tightening fasteners to specified torques. An independent, calibrated torque measurement device such as a torque wrench should be used when under tightened or over tightened fasteners can lead to the failure of the joint.

Safety of others

- ◆ This tool is not intended for use by persons (including children) with reduced physical, sensory or mental capabilities, or lack of experience and knowledge, unless they have been given supervision or instruction concerning use of the tool by a person responsible for their safety.
- ◆ Children should be supervised to ensure that they do not play with the appliance.

Residual risks

Additional residual risks may arise when using the tool which may not be included in the enclosed safety warnings. These risks can arise from misuse, prolonged use etc. Even with the application of the relevant safety regulations and the implementation of safety devices, certain residual risks can not be avoided. These include:

- ◆ Injuries caused by touching any rotating/moving parts.
- ◆ Injuries caused when changing any parts, blades or accessories.
- ◆ Injuries caused by prolonged use of a tool. When using any tool for prolonged periods ensure you take regular breaks.
- ◆ Impairment of hearing.
- ◆ Health hazards caused by breathing dust developed when using your tool (example:- working with wood, especially oak, beech and MDF.)

Vibration

The declared vibration emission values stated in the technical data and the declaration of conformity have been measured in accordance with a standard test method provided by EN 60745 and may be used for comparing one tool with another.

The declared vibration emission value may also be used in a preliminary assessment of exposure.

Warning! The vibration emission value during actual use of the power tool can differ from the declared value depending on the ways in which the tool is used. The vibration level may increase above the level stated.

When assessing vibration exposure to determine safety measures required by 2002/44/EC to protect persons regularly using power tools in employment, an estimation of vibration exposure should consider, the actual conditions of use and the way the tool is used, including taking account of all parts of the operating cycle such as the times when the tool is switched off and when it is running idle in addition to the trigger time.

Labels on tool

The following symbols are shown on the tool along with the date code:



Warning! To reduce the risk of injury, the user must read the instruction manual.

Additional safety instructions for batteries and chargers (Not provided with the tool)

Batteries

- ◆ Never attempt to open for any reason.
- ◆ Do not expose the battery to water.
- ◆ Do not store in locations where the temperature may exceed 40 °C.
- ◆ Charge only at ambient temperatures between 10 °C and 40 °C.
- ◆ Charge only using the charger provided with the tool.
- ◆ When disposing of batteries, follow the instructions given in the section "Protecting the environment".



Do not attempt to charge damaged batteries.

Chargers

- ◆ Use your Stanley Fat Max charger only to charge the battery in the tool with which it was supplied. Other batteries could burst, causing personal injury and damage.
- ◆ Never attempt to charge non-rechargeable batteries.
- ◆ Have defective cords replaced immediately.
- ◆ Do not expose the charger to water.
- ◆ Do not open the charger.
- ◆ Do not probe the charger.



The charger is intended for indoor use only.



Read the instruction manual before use.

Electrical safety



Your charger is double insulated; therefore no earth wire is required. Always check that the mains voltage corresponds to the voltage on the rating plate. Never attempt to replace the charger unit with a regular mains plug.

- ◆ If the supply cord is damaged, it must be replaced by the manufacturer or an authorised Stanley Fat Max Service Centre in order to avoid a hazard.

Features

This appliance includes some or all of the following features.

1. Trigger Switch
2. Forward/reverse button
3. Chuck collar
4. Hex quick-release chuck
5. Battery
6. Battery release button
7. Led work light
8. Bit tip holder (accessory not supplied)

Assembly

Warning! Before assembly, remove the battery from the tool.

Fitting and removing the battery (fig. B)

- ◆ To fit the battery (5), line it up with the receptacle on the tool. Slide the battery into the receptacle and push until the battery snaps into place.
- ◆ To remove the battery, push the release buttons (6) while at the same time pulling the battery out of the receptacle.

Fitting and removing a screwdriver bit or socket (fig. C1, C2)

This tool is fitted with a quick release chuck to allow for an easy exchange of bits..

Warning! Make certain the tool is locked to prevent switch actuation before installing or removing accessories.

- ◆ Lock the tool by setting the forward/reverse slider (2) to the centre position.
- ◆ Insert the bit shaft (13) into the chuck (4) (Fig. C1).

Note! To remove the bit/socket, pull and hold the chuck collar (3) away from the front of the tool (Fig. C2).

Warning! Use only impact rated sockets. Non-impact sockets may break and cause a hazardous condition. Inspect socket prior to use to ensure that it contains no cracks. Use only impact rated accessories.

Use

Warning! Let the tool work at its own pace. Do not overload.

Charging the battery (fig. A)

The battery needs to be charged before first use and whenever it fails to produce sufficient power on jobs that were easily done before. The battery may become warm while charging; this is normal and does not indicate a problem.

Warning! Do not charge the battery at ambient temperatures below 10 °C or above 40 °C. Recommended charging temperature: approx. 24 °C.

Note: The charger will not charge a battery if the cell temperature is below approximately 10 °C or above 40 °C.

The battery should be left in the charger and the charger will begin to charge automatically when the cell temperature warms up or cools down.

- ◆ To charge the battery (5), insert it into the charger (10). The battery will only fit into the charger in one way. Do not force. Be sure that the battery is fully seated in the charger.
- ◆ Plug in the charger and switch on at the mains.

The charging indicator (11) will flash green continuously (slowly).

The charge is complete when the charging indicator (11) lights green continuously. The charger and the battery can be left connected indefinitely with the LED illuminated. The LED will change to flashing green (charging) state as the charger occasionally tops up the battery charge. The charging indicator (11) will be lit as long as the battery is connected to the plugged-in charger.

- ◆ Charge discharged batteries within 1 week. Battery life will be greatly diminished if stored in a discharged state

Leaving the battery in the charger

The charger and battery pack can be left connected with the LED glowing indefinitely. The charger will keep the battery pack fresh and fully charged.

Charger diagnostics

If the charger detects a weak or damaged battery, the charging indicator (11) will flash red at a fast rate. Proceed as follows:

- ◆ Re-insert the battery (5).
- ◆ If the charging indicators continues flashing red at a fast rate, use a different battery to determine if the charging process works properly.
- ◆ If the replaced battery charges correctly, the original battery is defective and should be returned to a service centre for recycling.
- ◆ If the new battery gives the same indication as the original battery, take the charger to be tested at an authorised service centre.

Note: It may take as long as 60 minutes to determine that the battery is defective. If the battery is too hot or too cold, the LED will alternately blink red, fast and slow, one flash at each speed and repeat.

Selecting the direction of rotation (fig. D)

For tightening, use forward (clockwise) rotation. For loosening, use reverse (counterclockwise) rotation.

- ◆ To select forward rotation, push the forward/reverse slider (2) to the left.
- ◆ To select reverse rotation, push the forward/reverse slider to the right.
- ◆ To lock the tool, set the forward/reverse slider into the centre position.

Screwdriving / nut setting

- ◆ Select the appropriate bit / socket for the screw or nut to be driven.
- ◆ Select forward or reverse rotation as described above.
- ◆ Hold the tool in line with the fastener.
- ◆ Press the trigger (1)
- ◆ After tightening, check torque with a torque wrench.

LED work light

The LED work light (7) is activated automatically when the trigger is depressed. The LED work light will illuminate when the trigger is partially depressed, before the unit begins running.

Hints for optimum use**Screwdriving**

- ◆ Always use the correct type and size of screwdriver bit.
- ◆ If screws are difficult to tighten, try applying a small amount of washing liquid or soap as a lubricant.
- ◆ Always hold the tool and screwdriver bit in a straight line with the screw.

Maintenance

Your Stanley Fat Max tool has been designed to operate over a long period of time with a minimum of maintenance. Continuous satisfactory operation depends upon proper tool care and regular cleaning.

Your charger does not require any maintenance apart from regular cleaning.

Warning! Before performing any maintenance on the tool, remove the battery from the tool. Unplug the charger before cleaning it.

- ◆ Regularly clean the ventilation slots in your tool and charger using a soft brush or dry cloth.
- ◆ Regularly clean the motor housing using a damp cloth.

Do not use any abrasive or solvent-based cleaner.

- ◆ Regularly open the chuck and tap it to remove any dust from the interior.

Protecting the environment



Separate collection. Products and batteries marked with this symbol must not be disposed of with normal household waste.

Products and batteries contain materials that can be recovered or recycled reducing the demand for raw materials. Please recycle electrical products and batteries according to local provisions. Further information is available at www.2helpU.com

Technical data

		FMC641
Voltage	V_{DC}	18V
No-load speed	Min^{-1}	0-2800
Beats	BPM	0-3100
Max. torque (PTI Method)	Nm	165
Chuck capacity	mm	6 (Hex)
Weight	kg	1.5

Charger		90599846-02	90636454
Input voltage	V_{AC}	230	230
Output voltage	V_{DC}	18	18
Current	mA	1000	1000
Approx. charge time	Mins	80-240	80-240

Battery	FMC684L	FMC685L	FMC687L	FMC688L
Voltage	V_{AC}	18	18	18
Capacity	Ah	1.3	1.5	2.0
Type		Li-ion	Li-ion	Li-ion

Level of sound pressure according to EN 60745:

Sound pressure (L_{pA}) 93,0 dB(A), uncertainty (K) 3 dB(A)

Sound power (L_{WA}) 104 dB(A), uncertainty (K) 3 dB(A)

Vibration total values (triax vector sum) according to EN 60745:

Drilling into metal ($a_{h,D}$) 14,3 m/s^2 , uncertainty (K) 1.5 m/s^2

EC declaration of conformity

MACHINERY DIRECTIVE



Cordless Impact Driver - FMC641

Stanley Fat Max declares that these products described under "technical data" are in compliance with: 2006/42/EC, EN60745-1:2009+A11:2010 EN60745-2-2:2010

These products also comply with Directive 2004/108/EC (until 19/04/2016) 2014/30/EU (from 20/04/2016) and 2011/65/EU.

For more information, please contact Stanley Fat Max at the following address or refer to the back of the manual.

The undersigned is responsible for compilation of the technical file and makes this declaration on behalf of Stanley Fat Max.

R. Laverick
Director of Engineering
Stanley Fat Max Europe, 210 Bath Road, Slough,
Berkshire, SL1 3YD
United Kingdom
21/04/2017

Guarantee

Stanley Fat Max is confident of the quality of its products and offers consumers a 12 month guarantee from the date of purchase. This guarantee is in addition to and in no way prejudices your statutory rights. The guarantee is valid within the territories of the Member States of the European Union and the European Free Trade Area.

To claim on the guarantee, the claim must be in accordance with Stanley Fat Max Terms and Conditions and you will need to submit proof of purchase to the seller or an authorised repair agent. Terms and conditions of the Stanley Fat Max 1 year guarantee and the location of your nearest authorised repair agent can be obtained on the Internet at www.2helpU.com, or by contacting your local Stanley Fat Max office at the address indicated in this manual.

Please visit our website www.stanley.eu/3 to register your new Stanley Fat Max product and receive updates on new products and special offers.

Verwendungszweck

Ihr Stanley Fat Max Schlagschrauber FMC641 ist für Schraub- und Setzarbeiten ausgelegt. Dieses Gerät ist zum gewerblichen und privaten Einsatz vorgesehen.

Sicherheitshinweise

Allgemeine Sicherheitswarnungen für das Gerät



Warnung! Lesen Sie alle Sicherheitswarnhinweise und alle Anweisungen. Die Nichteinhaltung der folgenden Warnungen und Anweisungen kann einen elektrischen Schlag, Brand und/oder schwere Verletzungen verursachen.

Bewahren Sie alle Sicherheitswarnungen und Anweisungen gut auf. Der nachfolgend verwendete Begriff „Gerät“ bezieht sich auf netzbetriebene Geräte (mit Netzkabel) und auf akkubetriebene Geräte (ohne Netzkabel).

1. Sicherheit im Arbeitsbereich

- Halten Sie Ihren Arbeitsbereich sauber und gut ausgeleuchtet.** Unaufgeräumte oder dunkle Bereiche begünstigen Unfälle.
- Betreiben Sie das Gerät nicht in Umgebungen, in denen Explosionsgefahr z. B. aufgrund von brennbaren Flüssigkeiten, Gasen oder Staub besteht.** Geräte erzeugen Funken, die den Staub oder die Dämpfe entzünden können.
- Halten Sie Kinder und andere Personen während der Benutzung eines Geräts fern.** Bei Ablenkung können Sie die Kontrolle verlieren.

2. Elektrische Sicherheit

- Der Netzstecker des Geräts muss in die Steckdose passen. Ändern Sie niemals den Stecker in irgendeiner Form. Verwenden Sie keinerlei Adapterstecker an geerdeten Elektrogeräten.** Unveränderte Stecker und passende Steckdosen mindern die Gefahr eines elektrischen Schlags.
- Vermeiden Sie Körperkontakt mit geerdeten Oberflächen von Rohren, Heizungen, Herden und Kühlschränken.** Es besteht eine erhöhte Gefahr für einen elektrischen Schlag, wenn Ihr Körper geerdet ist.
- Halten Sie Geräte von Regen und Nässe fern.** Das Eindringen von Wasser in ein Gerät erhöht das Risiko eines elektrischen Schlags.
- Verwenden Sie das Kabel ordnungsgemäß. Verwenden Sie es niemals zum Tragen. Trennen Sie das Gerät nicht durch Ziehen am Kabel vom Netz. Halten Sie das Kabel fern von Hitze, Öl, scharfen Kanten oder beweglichen Teilen.**

Beschädigte oder verhedderte Kabel erhöhen die Gefahr eines elektrischen Schlags.

- Verwenden Sie nur für den Außenbereich zugelassene Verlängerungskabel, wenn Sie mit dem Gerät im Freien arbeiten.** Die Verwendung eines für den Außenbereich geeigneten Verlängerungskabels verringert das Risiko eines elektrischen Schlags.
 - Wenn das Gerät in einer feuchten Umgebung verwendet werden muss, schließen Sie es unbedingt an eine Steckdose mit Fehlerstromschutzschalter (FI-Schalter) an.** Ein Fehlerstromschutzschalter verringert das Risiko eines elektrischen Schlags.
- #### 3. Sicherheit von Personen
- Seien Sie aufmerksam, achten Sie darauf, was Sie tun, und gehen Sie sachgerecht mit einem Gerät um. Benutzen Sie kein Gerät, wenn Sie müde sind oder unter dem Einfluss von Drogen, Alkohol oder Medikamenten stehen.** Ein Moment der Unachtsamkeit beim Betrieb eines Geräts kann zu schweren Verletzungen führen.
 - Verwenden Sie eine geeignete Schutzausrüstung. Tragen Sie immer einen Augenschutz.** Das Tragen persönlicher Schutzausrüstung, wie Staubmaske, rutschfeste Sicherheitsschuhe, Schutzhelm oder Gehörschutz, je nach Art und Einsatz des Geräts, verringert das Risiko von Verletzungen.
 - Vermeiden Sie eine unbeabsichtigte Inbetriebnahme. Vergewissern Sie sich, dass das Gerät ausgeschaltet ist, bevor Sie es an eine Steckdose oder einen Akku anschließen, es hochheben oder tragen.** Wenn Sie beim Tragen des Geräts den Finger am Schalter haben oder das Gerät eingeschaltet an die Stromversorgung anschließen, kann dies zu Unfällen führen.
 - Entfernen Sie Einstell- oder Schraubenschlüssel, bevor Sie das Gerät einschalten.** Werkzeuge oder Schlüssel, die an rotierenden Teilen des Geräts angebracht sind, können zu Verletzungen führen.
 - Beugen Sie sich nicht zu weit nach vorne. Sorgen Sie für einen sicheren Stand und halten Sie jederzeit das Gleichgewicht.** Dadurch können Sie das Gerät in unerwarteten Situationen besser kontrollieren.
 - Tragen Sie geeignete Kleidung. Tragen Sie keine weite Kleidung und keinen Schmuck. Halten Sie Ihre Haare, Kleidung und Handschuhe von beweglichen Teilen fern.** Lose sitzende Kleidung, Schmuck oder lange Haare können sich in den beweglichen Teilen verfangen.
 - Falls Vorrichtungen zum Absaugen oder Auffangen von Staub vorhanden sind, vergewissern Sie sich, dass diese angeschlossen sind und richtig verwendet werden.** Das Verwenden einer Staubauffangvorrichtung verringert Gefährdungen durch Staub.

4. Gebrauch und Pflege von Geräten
 - a. **Überlasten Sie das Gerät nicht. Verwenden Sie das für Ihre Arbeit passende Gerät.** Das richtige Gerät wird die Aufgabe besser und sicherer erledigen, wenn es bestimmungsgemäß verwendet wird.
 - b. **Verwenden Sie das Gerät nicht, wenn der Ein-/Ausschalter nicht funktioniert.** Ein Gerät, das sich nicht mehr ein- oder ausschalten lässt, ist gefährlich und muss repariert werden.
 - c. **Ziehen Sie den Stecker aus der Steckdose, oder trennen Sie das Gerät vom Akku, bevor Sie Einstellungen vornehmen, Zubehörteile wechseln oder das Gerät lagern.** Diese Vorbeugemaßnahmen mindern die Gefahr, dass das Elektrogerät unbeabsichtigt startet.
 - d. **Bewahren Sie unbenutzte Geräte außerhalb der Reichweite von Kindern auf. Lassen Sie Geräte nicht von Personen benutzen, die damit nicht vertraut sind oder diese Anweisungen nicht gelesen haben.** Geräte sind in den Händen nicht geschulter Personen gefährlich.
 - e. **Halten Sie das Gerät in einem einwandfreien Zustand. Kontrollieren Sie, ob bewegliche Teile falsch ausgerichtet sind oder klemmen und ob Teile gebrochen oder so beschädigt sind, dass die Funktion des Geräts beeinträchtigt ist. Bei Beschädigungen lassen Sie das Gerät reparieren, bevor Sie es verwenden.** Viele Unfälle entstehen wegen mangelnder Wartung der Geräte.
 - f. **Halten Sie Schneidgeräte scharf und sauber.** Richtig gewartete Schneidwerkzeuge mit scharfen Klingen blockieren seltener und sind leichter unter Kontrolle zu halten.
 - g. **Verwenden Sie Gerät, Zubehör, Einsatz-Bits usw. entsprechend diesen Anweisungen, und berücksichtigen Sie dabei die Arbeitsbedingungen und die auszuführende Arbeit.** Der Gebrauch von Geräten für andere als die vorgesehenen Zwecke kann zu gefährlichen Situationen führen.
5. Gebrauch und Pflege von Akkuwerkzeugen
 - a. **Laden Sie den Akku nur mit dem vom Hersteller vorgesehenen Ladegerät auf.** Für ein Ladegerät, das nur für eine bestimmte Akkuart geeignet ist, besteht Brandgefahr, wenn es mit anderen Akkus verwendet wird.
 - b. **Verwenden Sie nur die für das jeweilige Gerät vorgesehenen Akkus.** Die Verwendung anderer Akkus kann zu Verletzungen oder Bränden führen.
 - c. **Bewahren Sie den Akku bei Nichtbenutzung nicht in der Nähe metallischer Objekte wie Büroklammern, Münzen, Schlüsseln, Nägeln oder Schrauben auf, da diese eine Verbindung zwischen beiden Polen des Akkus herstellen können.**

Durch den dadurch entstehenden Kurzschluss kann der Akku in Brand geraten.

- d. **Bei falscher Anwendung kann Flüssigkeit aus dem Akku austreten. Vermeiden Sie den Kontakt damit. Bei unbeabsichtigtem Kontakt mit Wasser abspülen. Gelangt die Flüssigkeit in die Augen, ziehen Sie außerdem ärztliche Hilfe hinzu.** Austretende Akkufflüssigkeit kann zu Hautreizungen oder Verbrennungen führen.
6. Service
 - a. **Lassen Sie das Gerät nur von qualifiziertem Fachpersonal und nur mit Originalersatzteilen reparieren.** Damit wird sichergestellt, dass die Sicherheit des Geräts erhalten bleibt.

Zusätzliche Sicherheitswarnungen für das Gerät



Warnung! Zusätzliche Sicherheitshinweise für Schlagschrauber

- ◆ **Tragen Sie bei der Arbeit mit Schlagschraubern einen Gehörschutz.** Lärm kann Gehörschäden verursachen.
- ◆ **Verwenden Sie die mitgelieferten Zusatzgriffe.** Der Verlust der Kontrolle kann Verletzungen verursachen.
- ◆ **Halten Sie das Gerät an den isolierten Griffflächen fest, wenn Sie Arbeiten ausführen, bei denen verdeckte Kabel beschädigt werden könnten.** Der Kontakt mit stromführenden Leitungen kann auch offen liegende Metallteile am Gerät unter Strom setzen und zu einem Stromschlag führen.
- ◆ **Sichern Sie das Werkstück zum Beispiel mit Einspannvorrichtungen auf einer stabilen Plattform.** Das Werkstück ist instabil, wenn es mit der Hand oder dem Körper abgestützt wird, was zum Verlust der Kontrolle führen kann.
- ◆ Die bestimmungsgemäße Verwendung ist in dieser Betriebsanleitung beschrieben. Die Verwendung von Zubehör- oder Anbauteilen, die nicht in dieser Anleitung empfohlen werden, sowie die Bedienung des Geräts in Abweichung von den in dieser Anleitung beschriebenen Verfahren können zu Verletzungen und/oder Sachschäden führen.



Warnung! Schlagschrauber sind keine Drehmomentschrauber. Das Gerät ist nicht dazu geeignet, Verbindungselemente mit einem bestimmten Drehmoment festzuziehen. Ein unabhängiges, kalibriertes Gerät zur Messung des Drehmoments, wie z. B. ein Drehmomentschrauber, sollte verwendet werden, wenn das Verbindungselement durch Unter- oder Überschreiten der Klemmkraft beschädigt werden kann.

Sicherheit anderer Personen

- ◆ Dieses Gerät darf nicht von Personen (einschließlich Kindern) mit eingeschränkten körperlichen, sensorischen oder geistigen Fähigkeiten oder mangelnder Erfahrung und Wissen in Bezug auf dessen Gebrauch bedient werden, es sei denn, sie werden bei der Verwendung des Geräts von einer erfahrenen Person beaufsichtigt oder angeleitet.
- ◆ Kinder müssen beaufsichtigt werden, um sicherzustellen, dass sie nicht mit dem Gerät spielen.

Restrisiken

Beim Gebrauch dieses Geräts verbleiben zusätzliche Restrisiken, die möglicherweise nicht in den Sicherheitswarnungen genannt werden. Diese Risiken bestehen beispielsweise bei Missbrauch oder längerem Gebrauch.

Auch bei der Einhaltung der entsprechenden Sicherheitsvorschriften und der Verwendung aller Sicherheitsgeräte bestehen weiterhin bestimmte Restrisiken. Diese sind:

- ◆ Verletzungen, die durch das Berühren von sich drehenden/bewegenden Teilen verursacht werden.
- ◆ Verletzungen, die durch das Austauschen von Teilen, Sägeblättern oder Zubehör verursacht werden.
- ◆ Verletzungen, die durch längeren Gebrauch eines Geräts verursacht werden. Legen Sie bei längerem Gebrauch regelmäßige Pausen ein.
- ◆ Beeinträchtigung des Gehörs.
- ◆ Gesundheitsrisiken durch das Einatmen von Staub beim Gebrauch des Geräts (beispielsweise bei Holzarbeiten, insbesondere Eiche, Buche und Pressspan)

Vibration

Die in den Abschnitten „Technische Daten“ und „EU-Konformitätserklärung“ angegebenen Werte für die Vibrationsemission wurden mit einer Standard-Prüfmethode nach EN 60745 ermittelt und können zum Vergleich verschiedener Geräte herangezogen werden. Außerdem kann mit Hilfe dieses Werts die Belastung bei Verwendung des Geräts schon im Voraus eingeschätzt werden.

Warnung! Die bei Verwendung des Geräts auftretende Vibrationsbelastung hängt von der Art des Gerätegebrauchs ab und kann dementsprechend von dem angegebenen Wert abweichen. Gegebenenfalls kann die Vibration über dem angegebenen Wert liegen.

Für die Ermittlung der Vibrationsbelastung müssen die tatsächlichen Einsatzbedingungen und Verwendungen des Geräts während des gesamten Arbeitsgangs berücksichtigt werden, einschließlich der Zeiten, wenn das Gerät nicht verwendet oder im Leerlauf betrieben wird. Diese Werte werden benötigt, um die gemäß 2002/44/EG erforderlichen Sicherheitsmaßnahmen zum Schutz von Personen festlegen zu können.

Etiketten am Werkzeug

Am Gerät sind die folgenden Warnsymbole inkl. Datumscode angebracht:



Warnung! Lesen Sie vor Gebrauch die Anleitung. Andernfalls besteht Verletzungsgefahr.

Zusätzliche Sicherheitshinweise für Akkus und Ladegeräte (nicht im Lieferumfang enthalten)

Akkus

- ◆ Keinesfalls versuchen, den Akku zu öffnen.
- ◆ Achten Sie darauf, dass der Akku nicht mit Wasser in Berührung kommt.
- ◆ Nicht bei Temperaturen über 40 °C lagern.
- ◆ Laden Sie den Akku nur bei Umgebungstemperaturen von 10 °C bis 40 °C auf.
- ◆ Verwenden Sie ausschließlich das mitgelieferte Ladegerät.
- ◆ Beachten Sie zur Entsorgung von Akkus oder Batterien die Hinweise im Abschnitt „Umweltschutz“.



Versuchen Sie nie, beschädigte Akkus aufzuladen.

Ladegeräte

- ◆ Verwenden Sie das Stanley Fat Max Ladegerät nur für den Akku des Werkzeugs, mit dem es geliefert wurde. Andere Akkus können platzen und Sachschäden oder Verletzungen verursachen.
- ◆ Versuchen Sie keinesfalls, nicht aufladbare Batterien zu laden.
- ◆ Lassen Sie beschädigte Kabel sofort austauschen.
- ◆ Achten Sie darauf, dass das Ladegerät nicht mit Wasser in Berührung kommt.
- ◆ Versuchen Sie nicht, das Ladegerät zu öffnen.
- ◆ Nehmen Sie am Ladegerät keine Veränderungen vor.



Das Ladegerät darf nur im Innenbereich verwendet werden.



Vor Gebrauch die Anleitung lesen.

Elektrische Sicherheit



Das Ladegerät ist schutzisoliert, daher ist keine Erdleitung erforderlich. Stellen Sie sicher, dass die Netzspannung der auf dem Typenschild des Geräts angegebenen Spannung entspricht. Ersetzen Sie das Ladegerät keinesfalls durch ein normales Netzkabel.

- ◆ Ist das Netzkabel beschädigt, muss es durch den Hersteller oder eine Stanley Fat Max Vertragswerkstatt ausgetauscht werden, um eine mögliche Gefährdung zu vermeiden.

Merkmale

Dieses Gerät verfügt über einige oder alle der folgenden Merkmale:

1. Auslöseschalter
2. Rechts-/Links-Schalter
3. Spannfutter
4. Innensechskant-Spannfutter mit Schnellspannung
5. Akku
6. Akku-Löseknöpfe
7. LED-Arbeitsleuchte
8. Bit-Spitzhalter (Zubehör nicht enthalten)

Montage

Warnung! Entfernen Sie vor der Montage den Akku aus dem Gerät.

Einsetzen und Entnehmen des Akkus (Abb. B)

- ◆ Um den Akku (5) einzusetzen, richten Sie ihn an der Aufnahme am Gerät aus. Schieben Sie den Akku in die Aufnahme, bis er in der richtigen Position einrastet.
- ◆ Drücken Sie die Entriegelungstasten (6), und ziehen Sie gleichzeitig den Akku aus dem Akkufach, um diesen zu entfernen.

Einsetzen und Entfernen eines Schraubendrehereinsatzes oder -futters (Abb. C1, C2)

Das Gerät verfügt über ein Schnellspannbohrfutter zum einfachen Wechseln der Einsätze.

Warnung! Das Gerät muss gesperrt sein, damit keine unbeabsichtigte Bedienung des Ein-/Ausschalters vor dem Installieren bzw. Entfernen von Zubehörteilen erfolgen kann.

- ◆ Verriegeln Sie das Gerät, indem Sie den Vor-/Zurückwahlschalter (2) in die mittlere Position bewegen.
- ◆ Setzen Sie den Einsatz (13) in das Bohrfutter (4) ein (Abb. C1).

Hinweis! Zum Entfernen von Bit/Einsatz ziehen Sie den Bohrfutterkopf (3) nach hinten, und halten Sie diesen fest (Abb. C2).

Warnung! Nur Werkzeughalter für Schlagbohrarbeiten verwenden. Werkzeughalter, die nicht für Schlagbohrarbeiten vorgesehen sind, können zerbrechen und zu gefährlichen Situationen führen. Untersuchen Sie den Werkzeughalter vor der Verwendung, um sicherzustellen, dass er keine Risse aufweist. Nur Zubehör für Schlagbohrarbeiten verwenden.

Verwendung

Warnung! Beschleunigen Sie den Arbeitsvorgang nicht mit Gewalt. Vermeiden Sie eine Überlastung.

Laden des Akkus (Abb. A)

Der Akku muss vor der erstmaligen Benutzung sowie immer dann aufgeladen werden, wenn das Gerät nicht mehr mit voller Leistung arbeitet. Der Akku kann sich während des Aufladens erwärmen. Das ist normal und deutet nicht auf ein Problem hin.

Warnung! Laden Sie den Akku nicht, wenn die Umgebungstemperatur unter 10 °C oder über 40 °C liegt. Empfohlene Ladetemperatur: ca. 24 °C.

Hinweis: Ein Akku, bei dem die Temperatur der Akkuzellen unter ca. 10 °C oder über 40 °C liegt, wird vom Ladegerät nicht geladen.

Lassen Sie in diesem Fall den Akku im Ladegerät. Das Ladegerät beginnt automatisch mit dem Ladevorgang, sobald sich die Zellen erwärmt bzw. abgekühlt haben.

- ◆ Setzen Sie den Akku (5) in das Ladegerät (10) ein, um diesen zu laden. Der Akku kann nur in einer Richtung in das Ladegerät eingesetzt werden. Erzwingen Sie den Arbeitsvorgang nicht. Vergewissern Sie sich, dass der Akku ordnungsgemäß im Ladegerät steckt.
- ◆ Schließen Sie das Ladegerät an eine Steckdose an und schalten Sie die Stromversorgung ein.

Die Ladeanzeige (11) blinkt durchgängig grün (langsam). Der Ladevorgang ist abgeschlossen, wenn die Ladeanzeige (11) dauerhaft grün leuchtet. Sie können den Akku auf unbestimmte Zeit im Ladegerät belassen. In diesem Fall leuchtet die LED-Anzeige. Die LED-Anzeige beginnt erneut, grün zu blinken (Ladezustand), wenn der Akku gelegentlich nachgeladen wird. Solange der Akku mit dem angeschlossenen Ladegerät verbunden ist, leuchtet die Ladeanzeige (11).

- ◆ Ein entladener Akku sollte innerhalb einer Woche wieder aufgeladen werden. Die Lebensdauer des Akkus wird erheblich reduziert, wenn dieser in entladem Zustand aufbewahrt wird.

Belassen des Akkus im Ladegerät

Sie können den Akku auch im Ladegerät belassen. In diesem Fall leuchtet die LED-Anzeige dauerhaft. Das Ladegerät hält den Akku in einem vollständig geladenen Zustand.

Diagnose des Ladegeräts

Wenn das Ladegerät einen schwachen oder beschädigten Akku feststellt, blinkt die Ladeanzeige (11) in schneller Folge rot. Gehen Sie folgendermaßen vor:

- ◆ Setzen Sie den Akku (5) erneut ein.
- ◆ Falls die Ladeanzeige weiterhin in schneller Folge rot aufblinkt, verwenden Sie einen anderen Akku, um herauszufinden, ob der Ladevorgang ordnungsgemäß ausgeführt wird.
- ◆ Wenn der neu eingesetzte Akku ordnungsgemäß geladen wird, ist der ursprüngliche Akku defekt. Geben Sie diesen bei einem Service Center ab, damit er recycelt werden kann.

- ◆ Lassen Sie das Ladegerät von einer autorisierten Vertragswerkstatt überprüfen, wenn bei dem neuen Akku dieselbe Anzeige erscheint wie bei dem ursprünglichen Akku.

Hinweis: Es kann bis zu 60 Minuten dauern, bis sich herausstellt, ob der Akku tatsächlich defekt ist. Falls der Akku zu warm oder zu kalt sein sollte, blinkt die LED-Anzeige abwechselnd langsam und schnell rot auf. Die Anzeige blinkt hierbei einmal langsam, einmal schnell. Danach wiederholt sich der Vorgang.

Auswählen der Drehrichtung (Abb. D)

Verwenden Sie zum Festziehen von Verbindungselementen die Vorwärtsdrehung (im Uhrzeigersinn). Verwenden Sie zum Lösen von Verbindungselementen die Rückwärtsdrehung (gegen den Uhrzeigersinn).

- ◆ Drücken Sie den Vor-/Zurückwahlschalter (2) nach links, um die Vorwärtsdrehung einzustellen.
- ◆ Drücken Sie den Vor-/Zurückwahlschalter nach rechts, um die Rückwärtsdrehung einzustellen.
- ◆ Bewegen Sie den Vor-/Zurückwahlschalter in die mittlere Stellung, um das Gerät zu sperren.

Schraub- und Setzarbeiten

- ◆ Wählen Sie den geeigneten Einsatz für die zu verwendende Schraube bzw. Mutter.
- ◆ Wählen Sie wie oben erläutert die Vorwärts- bzw. Rückwärtsdrehung aus.
- ◆ Halten Sie das Gerät in gerader Linie zum Verbindungselement.
- ◆ Drücken Sie den Auslöser (1)
- ◆ Prüfen Sie das Drehmoment nach dem Festziehen mit einem Drehmomentschrauber.

LED-Arbeitsleuchte

Die LED-Arbeitsleuchte (7) wird beim Drücken des Auslösers automatisch aktiviert. Die LED-Arbeitsleuchte leuchtet, sobald der Auslöser teilweise durchgedrückt wird, bevor das Gerät anläuft.

Hinweise für optimale Arbeitsergebnisse

Schraubarbeiten

- ◆ Verwenden Sie stets Schraubendrehereinsätze der richtigen Art und Größe.
- ◆ Sollten beim Festziehen von Schrauben Schwierigkeiten auftreten, verwenden Sie etwas Spülmittel oder Seife als Schmiermittel.
- ◆ Halten Sie das Gerät und den Schraubendrehereinsatz stets in gerader Linie zur Schraube.

Wartung

Ihr Stanley Fat Max Gerät wurde im Hinblick auf eine lange Lebensdauer und einen möglichst geringen Wartungsaufwand entwickelt. Ein kontinuierlicher, zufriedenstellender Betrieb hängt von der richtigen Pflege des Gerätes und seiner regelmäßigen Reinigung ab.

Das Ladegerät benötigt keine Wartung, es sollte jedoch regelmäßig gereinigt werden.

Warnung! Entfernen Sie vor jeglichen Wartungsarbeiten am Gerät den Akku aus dem Gerät. Trennen Sie das Ladegerät von der Stromversorgung, bevor Sie es reinigen.

- ◆ Reinigen Sie regelmäßig die Lüftungsschlitze des Geräts und des Ladegeräts mit einer weichen Bürste oder einem trockenen Tuch.
- ◆ Reinigen Sie das Motorgehäuse regelmäßig mit einem feuchten Tuch. Verwenden Sie keine scheuernden Reinigungsmittel oder Reinigungsmittel auf Lösungsmittelbasis.
- ◆ Öffnen Sie regelmäßig das Bohrfutter, und entfernen Sie durch Klopfen Staub aus dem Inneren des Geräts.

Umweltschutz



Getrennte Entsorgung. Produkte und Akkus mit diesem Symbol dürfen nicht mit dem normalen Hausmüll entsorgt werden.

Produkte und Akkus enthalten Materialien, die wiederverwertet werden können, um den Bedarf an Rohstoffen zu verringern. Bitte recyceln Sie Elektroprodukte und Batterien gemäß den lokalen Bestimmungen. Weitere Informationen finden Sie auf www.2helpU.com

Technische Daten

		FMC641
Spannung	V _{DC}	18V
Leerlaufdrehzahl	Min ⁻¹	0-2800
Schlagzahl	Schläge pro Minute	0-3100
Max. Drehmoment (PTI-Methode)	Nm	165
Bohrfutterspannweite	mm	6 (Sechskant)
Gewicht	kg	1,5

Ladegerät		90599846-02	90636454
Eingangsspannung	V_{AC}	230	230
Ausgangsspannung	V_{DC}	18	18
Stromstärke	mA	1000	1000
Ungefähre Ladezeit	Min.	80-240	80-240

Der Unterzeichnete ist verantwortlich für die Zusammenstellung des technischen Dossiers und gibt diese Erklärung im Namen von Stanley Fat Max.



R. Laverick
 Director of Engineering
 Stanley Fat Max Europe, 210 Bath Road, Slough,
 Berkshire, SL1 3YD
 Vereinigtes Königreich
 21.04.2017

Akku		FMC684L	FMC685L	FMC687L	FMC688L
Spannung	V_{AC}	18	18	18	18
Kapazität	Ah	1,3	1,5	2,0	4,0
Typ		Li-Ionen	Li-Ionen	Li-Ionen	Li-Ionen

Garantie

Stanley Fat Max vertraut auf die Qualität der eigenen Geräte und bietet dem Käufer eine außergewöhnliche Garantie von 12 Monaten ab Kaufdatum. Diese Garantie versteht sich unbeschadet der gesetzlichen Gewährleistungsansprüche und schränkt diese keinesfalls ein. Diese Garantie gilt innerhalb der Staatsgebiete der Mitgliedstaaten der Europäischen Union und der Europäischen Freihandelszone.

Zur Inanspruchnahme dieser Garantie muss sie den allgemeinen Geschäftsbedingungen von Stanley Fat Max entsprechen und dem Verkäufer bzw. der Vertragswerkstatt ist ein Kaufnachweis vorzulegen. Die Bedingungen für die 1-jährige Garantie von Stanley Fat Max und den Standort Ihrer nächstgelegenen Vertragswerkstatt finden Sie im Internet unter www.2helpU.com oder indem Sie sich an die lokale Stanley Fat Max -Niederlassung wenden, deren Adresse Sie in dieser Anleitung finden.

Ihr neues Stanley Fat Max-Produkt können Sie auf unserer Website unter www.stanley.eu/3 registrieren. Dort erhalten Sie auch Informationen über neue Produkte und Sonderangebote.

EU-Konformitätserklärung MASCHINENRICHTLINIE



Akku-Schlagschrauber - FMC641

Stanley Fat Max erklärt, dass diese unter „Technische Daten“ beschriebenen Geräte übereinstimmen mit:

2006/42/EC, EN60745-1:2009+A11:2010 EN60745-2-2:2010

Diese Produkte entsprechen außerdem der Richtlinie
 2004/108/EU.
 (bis 19/04/2016)
 2014/30/EU (ab 20/04/2016)
 und 2011/65/EU.

Weitere Informationen erhalten Sie von Stanley Fat Max unter der folgenden Adresse. Diese befindet sich auch auf der Rückseite dieser Anleitung.

Utilisation prévue

Votre clé à chocs Stanley Fat Max a été spécialement conçue pour les travaux de vissage et de réglage de vis. Cet appareil a été conçu pour les utilisateurs professionnels et non professionnels.

Consignes de sécurité

Consignes de sécurité concernant les outils électriques



Avertissement ! Lisez tous les avertissements et toutes les consignes de sécurité.

Le non-respect des avertissements et des instructions listés ci-dessous peut entraîner des chocs électriques, des incendies et/ou de graves blessures.

Conservez tous les avertissements et toutes les instructions afin de pouvoir vous y référer dans le futur. Le terme «outil électrique» mentionné dans tous les avertissements listés ci-dessous fait référence à vos outils électriques branchés sur secteur (avec câble) ou fonctionnant sur pile ou batterie (sans fil).

1. Sécurité de la zone de travail

- a. **Maintenez la zone de travail propre et bien éclairée.** Les zones sombres ou encombrées sont propices aux accidents.
- b. **N'utilisez pas d'outils électriques dans un environnement présentant des risques d'explosion ou en présence de liquides, gaz ou poussières inflammables.** Les outils électriques créent des étincelles qui peuvent enflammer les poussières et les fumées.
- c. **Maintenez les enfants et autres personnes éloignés lorsque les outils électriques sont en marche.** Toute distraction peut vous faire perdre le contrôle de l'outil.

2. Sécurité électrique

- a. **Les prises des outils électriques doivent correspondre à la prise de courant murale. Ne modifiez jamais la prise d'aucune sorte. N'utilisez aucun adaptateur avec des outils électriques reliés à la terre.** L'utilisation de prises d'origine et de prises murales appropriées permet de réduire le risque de choc électrique.
- b. **Évitez tout contact physique avec des surfaces reliées à la terre comme des tuyaux, des radiateurs, des fours et des réfrigérateurs par exemple.** Le risque de choc électrique augmente si votre corps est relié à la terre.
- c. **N'exposez pas les outils électriques à la pluie, ni à l'humidité.** Le risque de choc électrique augmente si de l'eau pénètre dans un outil électrique.

- d. **Ne tirez pas sur le cordon d'alimentation. N'utilisez jamais le cordon pour transporter, tirer ou débrancher l'outil électrique. Maintenez le cordon éloigné de la chaleur, des substances grasses, des bords tranchants ou des pièces mobiles.** Les cordons endommagés ou emmêlés augmentent le risque de choc électrique.
- e. **Si vous utilisez un outil électrique à l'extérieur, utilisez une rallonge homologuée pour les travaux extérieurs.** L'utilisation d'un cordon adapté pour l'extérieur réduit le risque de choc électrique.
- f. **Si l'utilisation d'un outil électrique dans un endroit humide est inévitable, utilisez une alimentation électrique protégée par un disjoncteur différentiel.** L'utilisation d'un disjoncteur différentiel réduit le risque de choc électrique.

3. Sécurité personnelle

- a. **Restez vigilant, surveillez ce que vous faites et faites preuve de bon sens lorsque vous utilisez un outil électrique. N'utilisez pas d'outils électriques si vous êtes fatigué ou sous l'influence de drogue, d'alcool ou de médicaments.** Tout moment d'inattention pendant l'utilisation d'un outil électrique peut engendrer de graves blessures.
- b. **Portez des équipements de protection individuelle. Portez toujours une protection oculaire.** Les équipements de protection comme les masques à poussière, les chaussures de sécurité antidérapantes, les casques ou les protections auditives utilisés à bon escient réduisent le risque de blessures.
- c. **Empêchez tout démarrage par inadvertance. Assurez-vous que l'interrupteur est en position Arrêt avant de raccorder l'outil à l'alimentation électrique et/ou au bloc-batterie ou avant de ramasser ou de transporter l'outil.** Le fait de transporter les outils électriques le doigt sur l'interrupteur ou d'alimenter les outils électriques dont l'interrupteur est déjà en position de marche augmente les accidents.
- d. **Retirez toutes les clés ou pinces de réglage avant de mettre l'outil en marche.** Une clé ou une pince restée fixée à la partie rotative de l'outil électrique peut engendrer des blessures.
- e. **Ne présumez pas de vos forces. Gardez les pieds bien ancrés au sol et conservez votre équilibre en permanence.** Cela permet de mieux maîtriser l'outil électrique en cas de situations imprévues.
- f. **Portez des vêtements appropriés. Ne portez aucun vêtement ample ou bijou. Gardez vos cheveux, vos vêtements et vos gants éloignés des pièces mobiles.** Les vêtements amples, les bijoux ou les cheveux longs peuvent être happés par les pièces mobiles.

- g. Si des dispositifs pour l'extraction des poussières ou des installations pour la récupération sont présents, assurez-vous qu'ils sont correctement raccordés et utilisés.** L'utilisation de dispositifs récupérateurs de poussières réduit les risques liés aux poussières.
- 4. Utilisation et entretien des outils électriques**
- a. Respectez la capacité de l'outil. Utilisez le bon outil adapté pour votre intervention.** Un outil adapté fonctionne mieux, de façon plus sûre et à la cadence pour laquelle il a été conçu.
- b. N'utilisez pas l'outil électrique si son interrupteur Marche/Arrêt est défectueux.** Tout appareil électrique qui ne peut plus être commandé par son interrupteur est dangereux et doit être réparé.
- c. Débranchez la prise du secteur et/ou le bloc-batterie de l'outil électrique avant d'effectuer tout réglage, de changer un accessoire ou de ranger l'outil électrique.** Ces mesures de sécurité préventives réduisent le risque de démarrage accidentel de l'outil électrique.
- d. Rangez les outils électriques non utilisés hors de portée des enfants et ne laissez aucune personne ne connaissant pas ces outils ou leurs instructions d'utilisation les faire fonctionner.** Les outils électriques peuvent être dangereux entre des mains inexpérimentées.
- e. Entretenez vos outils électriques. Vérifiez que les pièces mobiles sont alignées correctement et qu'elles ne sont pas coincées. Vérifiez qu'il n'y a pas de pièces cassées ou toute autre condition qui pourrait nuire au bon fonctionnement de l'outil. En cas de dommage, faites réparer l'outil électrique avant utilisation.** De nombreux accidents sont provoqués par des outils électriques mal entretenus.
- f. Maintenez les organes de coupe affûtés et propres.** Des organes de coupe bien entretenus et affûtés sont moins susceptibles de rester coincés et sont plus faciles à contrôler.
- g. Utilisez les outils électriques, les accessoires et les embouts d'outil conformément à ces instructions, en tenant compte des conditions de travail, ainsi que du travail à effectuer.** L'utilisation d'un outil électrique à des fins autres que celles pour lesquelles il a été prévu engendre des situations dangereuses.
- 5. Utilisation et entretien de la batterie de l'outil**
- a. N'effectuez la recharge qu'à l'aide du chargeur spécifié par le fabricant.** Un chargeur adapté pour un autre type de bloc-batterie peut engendrer un risque d'incendie s'il est utilisé avec un bloc-batterie différent.
- b. N'utilisez les outils électriques qu'avec les blocs-batteries qui leurs sont dédiés.** L'utilisation d'un autre bloc-batterie peut engendrer des blessures et un incendie.
- c. Lorsque le bloc-batterie n'est pas utilisé, éloignez-le des objets en métal comme les trombones, les pièces de monnaies, les clés, les clous, les vis ou d'autres petits objets métalliques qui pourraient créer une liaison entre les deux bornes.** La mise en court-circuit des bornes d'une batterie peut provoquer des brûlures ou un incendie.
- d. En cas d'utilisation abusive, du liquide peut être éjecté de la batterie. Évitez tout contact avec ce liquide. En cas de contact accidentel, rincez à l'eau. En cas de contact avec les yeux, consultez un médecin.** Le liquide projeté de la batterie peut provoquer des irritations ou des brûlures.
- 6. Réparation**
- a. Faites réparer votre outil électrique par une personne qualifiée, n'utilisant que des pièces de rechange d'origine.** Cela permet de garantir la sûreté de l'outil électrique.

Consignes de sécurité supplémentaires concernant les outils électriques



Avertissement ! Consignes de sécurité supplémentaires concernant les clés à chocs

- ◆ **Portez des protections auditives si vous utilisez une perceuse à percussion.** L'exposition au bruit peut causer des pertes de l'ouïe.
- ◆ **Utilisez les poignées auxiliaires livrées avec l'outil.** La perte de contrôle peut provoquer des blessures.
- ◆ **Tenez l'outil électrique par ses surfaces de préhension isolées lorsque vous l'utilisez dans des endroits où le dispositif de fixation peut entrer en contact avec des fils cachés.**
Tout contact du dispositif de fixation avec un fil sous tension peut mettre les parties métalliques exposées de l'outil sous tension et provoquer un choc électrique à l'utilisateur.
- ◆ **Utilisez des pinces ou tout autre moyen pratique pour fixer et soutenir la pièce à travailler sur une plateforme stable.** Tenir la pièce à travailler à la main ou contre votre corps la rend instable et peut conduire à une perte de contrôle.
- ◆ L'utilisation prévue est décrite dans ce manuel d'utilisation. L'utilisation d'un accessoire ou d'une fixation ou l'utilisation de cet outil à d'autres fins que celles recommandées dans ce manuel d'utilisation présentent un risque de blessures et/ou de dommages matériels.



Avertissement ! Les clés à chocs ne sont pas des clés dynamométriques. N'utilisez pas cet outil pour serrer les fixations à un couple précis. Un autre appareil, tel qu'une clé dynamométrique doit être utilisé si le serrage des fixations n'est pas satisfaisant et risque d'endommager le joint.

Sécurité des personnes

- ◆ Cet outil n'est pas conçu pour être utilisé par des personnes (y compris des enfants) ayant des capacités mentales, sensorielles ou physiques réduites, ou celles manquant d'expérience et de connaissances, à moins qu'elles ne soient encadrées ou qu'elles n'aient été formées à l'utilisation de l'appareil par une personne responsable de leur sécurité.
- ◆ Ne laissez jamais les enfants sans surveillance pour éviter qu'ils ne jouent avec cet appareil.

Risques résiduels

Certains risques résiduels autres que ceux mentionnés dans les avertissements sur la sécurité peuvent survenir en utilisant l'appareil. Ces risques peuvent être provoqués par une utilisation incorrecte, prolongée, etc...

Malgré l'application des normes de sécurité pertinentes et la présence de dispositifs de sécurité, certains risques résiduels ne peuvent pas être évités. Ils comprennent :

- ◆ Les blessures dues au contact avec une pièce rotative/mobile.
- ◆ Les blessures dues au remplacement de pièces, lames ou accessoires.
- ◆ Les blessures dues à l'utilisation prolongée d'un outil. Lorsque l'outil est utilisé pendant de longues périodes, assurez-vous de faire des pauses régulières.
- ◆ La diminution de l'acuité auditive.
- ◆ Les risques sanitaires dus à l'inhalation de poussières émises pendant l'utilisation de l'outil (exemple : travail avec du bois, surtout le chêne, le hêtre et les panneaux en MDF)

Vibrations

La valeur des émissions de vibrations déclarée dans la section Caractéristiques techniques et la déclaration de conformité a été mesurée selon une méthode de test standard fournie par la norme EN 60745 et peut être utilisée pour comparer un outil à un autre. La valeur des émissions de vibrations déclarée peut aussi être utilisée pour une évaluation préliminaire à l'exposition.

Avertissement ! En fonction de la manière dont l'outil est utilisé, la valeur des émissions de vibrations réelles pendant l'utilisation de l'outil peut différer de la valeur déclarée. Le niveau des vibrations peut dépasser le niveau déclaré.

Quand l'exposition aux vibrations est évaluée afin de déterminer les mesures de sécurité requises par la norme 2002/44/CE pour protéger les personnes utilisant régulièrement des outils électriques, cette estimation doit tenir compte des conditions réelles d'utilisation et de la façon dont l'outil est utilisé. Il faut également tenir compte de toutes les composantes du cycle de fonctionnement comme la durée pendant laquelle l'outil est arrêté et quand il fonctionne au ralenti, ainsi que la durée du déclenchement.

Étiquettes sur l'outil

Outre le code date, les symboles suivants sont apposés sur l'outil :



Avertissement ! Pour réduire le risque de blessures, l'utilisateur doit lire le manuel d'instructions.

Consignes de sécurité supplémentaires concernant les batteries/piles et les chargeurs (non fournis avec l'outil)

Batteries

- ◆ Ne tentez jamais sous aucun prétexte de les ouvrir.
- ◆ N'exposez pas les batteries à l'eau.
- ◆ Ne les stockez pas dans des endroits où la température peut dépasser 40° C.
- ◆ Ne les rechargez qu'à une température ambiante comprise entre 10° C et 40° C.
- ◆ Ne les rechargez qu'à l'aide du chargeur fourni avec l'outil.
- ◆ Pour la mise au rebut des batteries/piles, respectez les instructions mentionnées à la section « Protection de l'environnement ».



N'essayez pas de recharger des batteries endommagées.

Chargeurs

- ◆ N'utilisez votre chargeur Stanley Fat Max que pour charger la batterie fournie avec l'outil. D'autres batteries pourraient exploser et provoquer des blessures et des dommages.
- ◆ Ne tentez jamais de recharger des piles non rechargeables.
- ◆ Faites immédiatement remplacer les cordons endommagés.
- ◆ N'exposez pas le chargeur à l'eau.
- ◆ N'ouvrez pas le chargeur.
- ◆ Ne sondez pas le chargeur.



Le chargeur est conçu pour être exclusivement utilisé à l'intérieur.



Lisez le manuel d'utilisation avant d'utiliser l'outil.

Sécurité électrique



Votre chargeur dispose d'une double isolation ; aucun fil de terre n'est donc nécessaire.

Vérifiez toujours si la tension indiquée sur la plaque signalétique de l'appareil correspond à la tension du secteur. N'essayez jamais de remplacer l'unité du chargeur avec une prise secteur ordinaire.

- ◆ Si le câble d'alimentation est endommagé, il doit être remplacé par le fabricant ou par un centre de réparation agréé Stanley Fat Max afin d'éviter les risques éventuels.

Caractéristiques

Cet appareil présente tout ou partie des caractéristiques suivantes.

1. Interrupteur à gâchette
2. Bouton d'inversion du sens de rotation
3. Bague du mandrin
4. Mandrin hexagonal à serrage rapide
5. Batterie
6. Bouton de libération de la batterie
7. Éclairage de travail à LED
8. Support d'embout (accessoire non fourni)

Assemblage

Avertissement ! Avant l'assemblage, retirez la batterie de l'outil.

Installation et retrait de la batterie (figure B)

- ◆ Pour installer la batterie (5), alignez-la avec le boîtier de l'outil. Glissez la batterie dans le boîtier et poussez-la jusqu'à ce qu'elle se bloque en position.
- ◆ Pour retirer la batterie, poussez les boutons de libération (6) en extrayant simultanément la batterie hors du boîtier.

Mise en place et retrait d'un embout tournevis ou d'une douille (fig. C1, C2)

Cet outil est équipé d'un mandrin à serrage rapide qui facilite les changements d'embouts.

Avertissement ! Assurez-vous que l'outil est verrouillé pour éviter le déclenchement de l'interrupteur avant l'installation ou le retrait des accessoires.

- ◆ Verrouillez l'outil en plaçant le curseur de réglage du sens de rotation (2) en position centrale.
- ◆ Insérez la tige de l'embout (13) dans le mandrin (4) (Fig. C1).

Remarque ! Pour retirer l'embout, la douille, tirez et éloignez le collier du mandrin (3) depuis l'avant de l'outil (Fig. C2).

Avertissement ! N'utilisez que des douilles à choc. Les autres douilles peuvent casser et causer une situation dangereuse. Inspecter la douille avant l'utilisation pour vérifier qu'elle n'est pas fissurée. N'utilisez que des accessoires à choc.

Utilisation

Avertissement ! Laissez l'outil fonctionner à son propre rythme. Ne le poussez pas au-delà de sa limite.

Charge de la batterie (figure A)

La batterie doit être chargée avant la première utilisation et chaque fois qu'elle n'apporte plus assez de puissance pour les travaux réalisés sans peine auparavant. La batterie peut chauffer pendant la charge. Ce phénomène est normal et n'indique pas un problème.

Avertissement ! Ne rechargez pas la batterie à une température ambiante inférieure à 10 °C ou supérieure à 40 °C. La température recommandée est d'environ 24 °C.

Remarque : Le chargeur ne recharge pas la batterie si la température de la cellule est inférieure à environ 10 °C ou supérieure à 40 °C.

La batterie doit rester dans le chargeur qui démarre automatiquement la charge quand la température de la cellule augmente ou diminue.

- ◆ Pour charger la batterie (5), insérez-la dans le chargeur (10). Il n'y a qu'un moyen d'insérer la batterie dans le chargeur. Ne forcez pas. Assurez-vous que la batterie est complètement enclenchée dans le chargeur.
- ◆ Branchez le chargeur et mettez-le sous tension.

Le témoin de charge (11) clignote continuellement en vert (lentement).

Le processus est terminé quand le témoin de charge (11) reste allumé en vert. Le chargeur et la batterie peuvent rester raccordés en permanence avec le voyant allumé. Le voyant peut se mettre à clignoter en vert (charge) si le chargeur détecte qu'il faut compléter la charge de la batterie. Le témoin de charge (11) clignote aussi longtemps que la batterie est branchée au chargeur connecté.

- ◆ Chargez les batteries déchargées dans un délai d'une semaine. La durée de vie de la batterie est considérablement diminuée si elle est stockée déchargée.

Laisser la batterie dans le chargeur

Le chargeur et le bloc-batterie peuvent rester raccordés avec le voyant allumé en continu. Le chargeur maintient le bloc-batterie complètement chargé.

Diagnostics du chargeur

Si le chargeur détecte des dommages ou une usure de la batterie, le témoin de charge (11) clignote rapidement en rouge. Procédez comme suit :

- ◆ Réinsérez la batterie (5).

- ◆ Si les témoins de charge continuent de clignoter rapidement en rouge, utilisez une autre batterie pour déterminer si le processus de charge fonctionne correctement.
- ◆ Si la batterie de test se recharge correctement, cela indique que la batterie d'origine est défectueuse et qu'elle doit être renvoyée dans un centre d'assistance pour être recyclée.
- ◆ Si la nouvelle batterie signale le même problème, demandez à un centre de réparation agréé de tester le chargeur.

Remarque : la détection de la défaillance peut prendre jusqu'à 60 minutes. Si la batterie est trop chaude ou trop froide, le témoin alterne un clignotement lent, puis un clignotement rapide en rouge et ainsi de suite.

Sélection du sens de rotation (figure D)

Pour le serrage, utilisez le sens de rotation avant (dans le sens des aiguilles d'une montre). Pour le desserrage, utilisez le sens de rotation arrière (dans le sens inverse des aiguilles d'une montre).

- ◆ Pour sélectionner le sens de rotation horaire, poussez le curseur de mode horaire/anti-horaire (2) vers la gauche.
- ◆ Pour sélectionner le sens de rotation anti-horaire, poussez le curseur de mode horaire/anti-horaire vers la droite.
- ◆ Pour verrouiller l'outil, placez le bouton de commande avant/arrière au centre.

Vissage/Réglage d'écrou

- ◆ Sélectionnez une embout/une douille adaptés pour la vis ou l'écrou à entraîner.
- ◆ Sélectionnez le sens de rotation en marche avant ou arrière comme décrit ci-dessus.
- ◆ Gardez l'outil aligné avec l'organe de fixation.
- ◆ Enfoncez la gâchette (1)
- ◆ Après le serrage, vérifiez le couple avec une clé dynamométrique.

Éclairage de travail à LED

L'éclairage de travail (7) s'allume automatiquement en appuyant sur la gâchette. Il s'allume quand la gâchette est enfoncée à mi-course, avant que l'outil commence à fonctionner.

Conseils pour une utilisation optimale

Vissage

- ◆ Choisissez toujours un embout de type et de taille appropriés.
- ◆ Si le serrage de la vis est difficile, enduisez-la d'une petite quantité de liquide vaisselle ou de savon comme lubrifiant.
- ◆ Alignez toujours l'outil et l'embout tournevis avec la vis.

Maintenance

Votre outil Stanley Fat Max a été conçu pour fonctionner pendant longtemps avec un minimum d'entretien.

Le fonctionnement continu et satisfaisant de l'outil dépend de son entretien adéquat et de son nettoyage régulier.

Le chargeur ne nécessite aucun entretien particulier, à l'exception d'un nettoyage régulier.

Avertissement ! Avant d'entretenir l'outil, retirez la batterie. Débranchez le chargeur avant de le nettoyer.

- ◆ Nettoyez régulièrement les fentes d'aération de l'outil et du chargeur à l'aide d'une brosse souple ou d'un chiffon sec.
- ◆ Nettoyez régulièrement le carter moteur à l'aide d'un chiffon humide.
N'utilisez pas de détergents abrasifs ou à base de solvants.
- ◆ Ouvrez régulièrement le mandrin et tapotez dessus pour éliminer la poussière accumulée à l'intérieur.

Protection de l'environnement



Tri sélectif. Les produits et batteries marqués de ce symbole ne doivent pas être jetés avec les déchets ménagers.

Les produits et batteries contiennent des matières qui peuvent être récupérées et recyclées afin de réduire la demande en matières premières.

Veuillez recycler les produits électriques et les batteries conformément aux dispositions locales en vigueur. Plus d'informations sont disponibles sur le site www.2helpU.com

Données techniques

		FMC641
Tension	V_{CC}	18V
Vitesse à vide	Min^{-1}	0-2800
Impacts	BPM	0-3100
Couple maxi (Méthode PTI)	Nm	165
Capacité du mandrin	mm	6 (Hex)
Poids	kg	1,5

Chargeur		90599846-02	90636454
Tension d'entrée	V_{CA}	230	230
Tension de sortie	V_{CC}	18	18
Courant	mA	1000	1000
Durée de charge approximative	min	80-240	80-240

Batterie		FMC684L	FMC685L	FMC687L	FMC688L
Tension	V _{CA}	18	18	18	18
Capacité	Ah	1,3	1,5	2,0	4,0
Type		Batterie lithium-ion	Batterie lithium-ion	Batterie lithium-ion	Batterie lithium-ion

Niveau de pression sonore selon la norme EN 60745 :
Pression sonore (L _{pA}) 93,0 dB(A), incertitude (K) 3 dB(A)
Puissance sonore (L _{WA}) 104 dB(A), incertitude (K) 3 dB(A)
Valeurs totales des vibrations (somme vectorielle triaxiale) selon la norme EN 60745 :
Perçage dans le métal (a _{h,D}) 14,3 m/s ² , incertitude (K) 1,5 m/s ²

Déclaration de conformité CE

DIRECTIVES MACHINES



Clé à choc sans fil - FMC641

Stanley Europe déclare que les produits décrits dans les « Caractéristiques techniques » sont conformes aux normes : 2006/42/CE, EN60745-1:2009+A11:2010, EN60745-2-2:2010

Ces produits sont également conformes à la Directive 2004/108/CE (jusqu'au 19/04/2016) 2014/30/UE (à partir du 20/04/2016) et 2011/65/UE

Pour plus de détails, veuillez contacter Stanley Fat Max à l'adresse suivante ou reportez-vous au dos du manuel.

Le soussigné est responsable de la compilation du fichier technique et fait cette déclaration au nom de Stanley Fat Max.

R. Laverick
Directeur Ingénierie
Stanley Fat Max Europe, 210 Bath Road, Slough,
Berkshire, SL1 3YD
Royaume-Uni
21/04/2017

Garantie

Stanley Fat Max est sûr de la qualité de ses produits et offre une garantie de 12 mois aux utilisateurs, à partir de la date d'achat. Cette garantie s'ajoute à vos droits légaux auxquels elle ne porte aucunement préjudice. Cette garantie est valable au sein des territoires des États membres de l'Union Européenne et au sein de la Zone européenne de libre-échange.

Pour prétendre à la garantie, la réclamation doit être en conformité avec les conditions générales de Stanley Fat Max et vous devez fournir une preuve d'achat au vendeur ou au réparateur agréé. Les conditions générales de la garantie de 1 an Stanley Fat Max ainsi que l'adresse du réparateur agréé le plus proche sont disponibles sur le site Internet www.2helpU.com ou en contactant votre agence Stanley Fat Max locale à l'adresse indiquée dans ce manuel.

Accédez à notre site Internet www.stanley.eu/3 pour enregistrer votre nouveau produit Stanley Fat Max et être informé des nouveaux produits et des offres spéciales.

Uso previsto

L'avvitatore/chave battente Stanley Fat Max FMC641 è stato progettato per avvitare e per applicazioni di taratura dei dadi. Questo apparecchio è concepito per uso professionale e privato e per utenti non professionisti.

Istruzioni di Sicurezza

Avvisi di sicurezza generici per gli elettrodomestici



Avvertenza! Leggere tutte le avvertenze e le istruzioni. La mancata osservanza dei presenti avvisi e istruzioni potrebbe causare scosse elettriche, incendi e/o infortuni gravi.

Conservare tutti gli avvertimenti e le istruzioni per consultazioni future Il termine "elettrodomestico" che ricorre in tutti gli avvisi seguenti si riferisce ad utensili elettrici con o senza filo.

1. Sicurezza nella zona di lavoro

- a. **Mantenere pulita e bene illuminata l'area di lavoro.** Gli ambienti disordinati o scarsamente illuminati favoriscono gli incidenti.
- b. **Evitare di usare gli elettrodomestici in ambienti esposti a rischio di esplosione, ad esempio in presenza di liquidi, gas o polveri infiammabili.** Gli apparati elettrici creano scintille che possono incendiare le polveri o i fumi.
- c. **Tenere lontani bambini e astanti mentre si usa un elettrodomestico.** Le distrazioni possono provocare la perdita di controllo.

2. Sicurezza elettrica

- a. **Le spine elettriche degli elettrodomestici devono essere adatte alla presa. Non modificare la spina in alcun modo. Non collegare un adattatore alla spina di un apparato elettrico dotato di scarico a terra.** Per ridurre il rischio di scossa elettrica evitare di modificare le spine e utilizzare sempre le prese appropriate.
- b. **Evitare il contatto fisico con superfici collegate a terra, tipo tubi, radiatori, forni e frigoriferi.** Se il proprio corpo è collegato con la terra, il rischio di scossa elettrica aumenta.
- c. **Custodire gli elettrodomestici al riparo dalla pioggia o dall'umidità.** Se l'acqua entra nell'apparato elettrico aumenta il rischio di scossa elettrica.
- d. **Non utilizzare il cavo in modo improprio. Non utilizzare mai il cavo per spostare, tirare o scollegare l'apparato elettrico. Tenere il cavo elettrico lontano da fonti di calore, olio, bordi taglienti o parti in movimento.** Se il cavo è danneggiato o impigliato, il rischio di scossa elettrica aumenta.

- e. **Se l'elettrodomestico viene adoperato all'aperto, usare esclusivamente prolunghie omologate per l'impiego all'esterno.** L'uso di un cavo elettrico adatto ad ambienti esterni riduce il rischio di scossa elettrica.
- f. **Se non è possibile evitare di lavorare in una zona umida, usare un'alimentazione elettrica protetta da un dispositivo a corrente residua (RCD).** L'uso di un interruttore differenziale riduce il rischio di scossa elettrica.

3. Sicurezza delle persone

- a. **È importante concentrarsi su ciò che si sta facendo e maneggiare con giudizio l'elettrodomestico. Non utilizzare l'apparato elettrico quando si è stanchi o sotto l'effetto di droghe, alcool o medicinali.** Un solo attimo di distrazione durante l'uso di tali apparati potrebbe provocare gravi lesioni personali
 - b. **Usare l'equipaggiamento di protezione personale. Utilizzare sempre protezioni oculari.** L'uso di abbigliamento di protezione quali mascherine antipolvere, scarpe antinfortunistiche antiscivolo, caschi di sicurezza o protezioni uditive, in condizioni opportune consente di ridurre le lesioni personali.
 - c. **Impedire l'avviamento involontario. Accertarsi che l'interruttore di accensione sia regolato su spento prima di collegare l'elettrodomestico all'alimentazione elettrica e/o al battery pack, di prenderlo in mano o di trasportarlo.** Il trasporto di apparati elettrici tenendo il dito sull'interruttore o quando sono collegati alla rete elettrica con l'interruttore nella posizione di acceso provoca incidenti.
 - d. **Prima di accendere un elettrodomestico, togliere eventuali utensili o chiavi di regolazione.** Un utensile di regolazione o una chiave fissati su una parte rotante dell'apparato elettrico possono provocare lesioni personali.
 - e. **Non sbilanciarsi. Mantenere sempre un appoggio ed equilibrio adeguati.** Ciò consente un migliore controllo dell'apparato nelle situazioni impreviste.
 - f. **Vestirsi adeguatamente. Non indossare abiti lenti o gioielli. Tenere i capelli, i vestiti e i guanti lontano dalle parti mobili.** Abiti larghi, gioielli o capelli lunghi possono impigliarsi nelle parti in movimento.
 - g. **Se gli elettrodomestici sono provvisti di attacchi per il collegamento di dispositivi di aspirazione o di raccolta della polvere, assicurarsi che questi siano installati e utilizzati correttamente.** La raccolta delle polveri può ridurre i pericoli legati a queste ultime.
- #### 4. Uso e cura degli elettrodomestici
- a. **Non sovraccaricare l'elettrodomestico. Utilizzare un apparato adatto al lavoro da eseguire.**

L'apparato lavora meglio e con maggior sicurezza se utilizzato secondo quanto è stato previsto.

- b. **Non utilizzare elettrodomestici con interruttori difettosi.** Qualsiasi apparato elettrico che non possa essere controllato tramite l'interruttore è pericoloso e deve essere riparato.
- c. **Scollegare la spina dalla presa di corrente e/o il battery pack dall'elettrodomestico prima di regolarlo, sostituirne gli accessori o di riporlo.** Queste misure di sicurezza preventive riducono il rischio di azionare l'apparato accidentalmente.
- d. **Quando non vengono usati, gli elettrodomestici devono essere custoditi fuori dalla portata dei bambini. Non consentire l'uso dell'elettrodomestico a persone inesperte o che non abbiano letto le presenti istruzioni.** Gli apparati elettrici sono pericolosi in mano a persone inesperte.
- e. **Sottoporre gli elettrodomestici a regolare manutenzione. Verificare che le parti mobili siano bene allineate e non inceppate, che non vi siano componenti rotti e che non sussistano altre condizioni che possono compromettere il funzionamento dell'elettrodomestico. Se danneggiato, far riparare l'apparato elettrico prima dell'uso.** Molti incidenti sono provocati da apparati elettrici su cui non è stata effettuata la corretta manutenzione.
- f. **Mantenere affilati e puliti gli strumenti da taglio.** La manutenzione corretta degli utensili da taglio con bordi affilati riduce le probabilità di inceppamento e ne facilita il controllo.
- g. **Utilizzare l'elettrodomestico, gli accessori e le punte in conformità alle presenti istruzioni, tenendo conto delle condizioni di lavoro e del lavoro da completare.** L'utilizzo dell'apparato elettrico per impieghi diversi da quelli previsti può provocare situazioni di pericolo.

5. Uso e cura degli apparati a batteria

- a. **Ricaricare solo usando l'alimentatore prescritto dal fabbricante.** Un caricabatteria adatto per un tipo di gruppo batterie può esporre al rischio d'incendio se usato con pacco batteria diverso.
- b. **Usare gli elettrodomestici con gli appositi battery pack.** L'impiego di battery pack di altro tipo potrebbe creare il rischio di lesioni e di incendi.
- c. **Quando il battery pack non viene usato, tenerlo lontano da altri oggetti metallici tipo graffette, monete, chiavi, chiodi, viti o altri oggetti metallici di piccole dimensioni, che potrebbero cortocircuitare un morsetto con l'altro.** Se i morsetti della batteria vengono cortocircuitati si potrebbero causare ustioni o un incendio.
- d. **In condizioni di sovraccarico, le batterie possono perdere liquido: evitare di toccarlo. In caso di contatto accidentale, sciacquare con acqua. Se il liquido entra a contatto con gli occhi, consultare un medico.**

Il liquido che fuoriesce dalla batteria può causare irritazioni o ustioni.

6. Assistenza

- a. **Fare riparare l'elettrodomestico esclusivamente da personale specializzato e solo usando pezzi di ricambio originali.** In questo modo viene garantita la sicurezza dell'apparato elettrico.

Altri avvisi di sicurezza per gli elettrodomestici



Avvertenza! Altri avvisi di sicurezza per gli avvitatori/chavi battenti

- ◆ **Indossare otoprotezioni quando si usano i trapani a percussione.** L'esposizione al rumore può causare la perdita dell'udito.
- ◆ **Usare le impugnature ausiliarie fornite con l'elettrodomestico.** La perdita del controllo può causare lesioni alla persona.
- ◆ **Tenere l'elettrodomestico afferrando le impugnature isolate se vi è la possibilità che la punta dell'avvitatore possa venire a contatto di cavi nascosti o del filo di alimentazione.**

I dispositivi di fissaggio che vengono a contatto con un cavo sotto tensione trasmettono la corrente elettrica anche alle parti metalliche esposte dell'apparato e possono provocare la folgorazione dell'operatore.

- ◆ **Usare morse o altri metodi pratici per fissare e bloccare il pezzo da lavorare ad una piattaforma stabile.** Tenere il lavoro con le mani o contro il corpo non assicura la stabilità e potrebbe portare ad una perdita del controllo.
- ◆ L'utilizzo previsto è indicato nel presente manuale. Se questo elettrodomestico viene usato con accessori o per usi diversi da quelli raccomandati nel presente manuale d'uso, si potrebbero verificare lesioni personali e/o danni alle cose.



Avvertenza! Le chiavi battenti non sono chiavi torsiometriche. Non usare questo elettrodomestico per serrare la bulloneria alla coppia specificata. Usare un utensile indipendente e opportunamente calibrato, come una chiave torsiometrica, se un serraggio eccessivo o insufficiente della bulloneria potrebbe causare danni al giunto.

Sicurezza altrui

- ◆ Questo elettrodomestico non è stato progettato per impiego da parte di persone (o bambini) portatrici di handicap fisici, psichici o sensoriali o che non abbiano la dovuta esperienza o conoscenza, a meno che non siano seguite opportunamente istruzioni sul suo impiego da parte di una persona responsabile della loro sicurezza.

- ◆ I bambini devono essere sorvegliati per assicurarsi che non giochino con l'apparecchio.

Rischi residui

L'utilizzo dell'apparecchio può comportare altri rischi non contemplati negli avvisi di sicurezza qui riportati. Tali rischi possono sorgere a seguito di un uso prolungato o improprio, ecc. Pur osservando le norme di sicurezza e utilizzando dispositivi di protezione adeguati, certi rischi non possono essere evitati. Sono inclusi:

- ◆ Lesioni causate o subite a seguito del contatto con parti rotanti/in movimento.
- ◆ Lesioni causate o subite durante la sostituzione di parti, lame o accessori.
- ◆ Lesioni causate dall'impiego prolungato di un elettro-utensile. Quando si usa qualsiasi apparecchio per lunghi periodi, accertarsi di fare regolarmente delle pause.
- ◆ Menomazioni uditive.
- ◆ Rischi per la salute causati dall'aspirazione di polvere generata dall'utilizzo dell'elettro-utensile (ad esempio quando si lavora con il legno, in modo particolare quello di quercia, faggio o l'MDF.)

Vibrazioni

I valori dichiarati delle emissioni di vibrazioni al paragrafo Dati tecnici e nella Dichiarazione di conformità del presente manuale sono stati misurati in base al metodo di test standard previsto dalla normativa EN 60745 e possono essere usati come parametri di confronto tra due utensili. Il valore delle emissioni di vibrazioni dichiarato può anche essere usato come valutazione preliminare dell'esposizione.

Avvertenza! Il valore delle emissioni di vibrazioni durante l'impiego effettivo dell'elettro-utensile può variare da quello dichiarato a seconda delle modalità d'uso. Il livello delle vibrazioni può aumentare oltre quello dichiarato.

Quando si valuta l'esposizione alle vibrazioni per determinare le misure di sicurezza richieste dalla normativa 2002/44/CE destinata alla protezione delle persone che usano regolarmente gli elettro-utensili nello svolgimento delle proprie mansioni, è necessario prendere in considerazione le condizioni effettive di utilizzo e il modo in cui l'utensile è usato, oltre a tenere in conto tutte le componenti del ciclo operativo, vale a dire i periodi in cui l'elettro-utensile è spento, quelli in cui è acceso ma a riposo e quelli in cui è effettivamente utilizzato.

Etichette sull'apparato

Sull'elettro-utensile sono presenti i seguenti simboli assieme al codice data:



Avvertenza! Per ridurre il rischio di infortuni, l'utente deve leggere il manuale d'uso.

Altre istruzioni di sicurezza per batterie e caricabatteria (non fornite con l'elettro-utensile)

Batterie

- ◆ Non tentare mai di aprire le batterie per qualsiasi motivo.
- ◆ Non lasciare che le batterie si bagnino.
- ◆ Non riporre in luoghi dove la temperatura potrebbe superare 40°C.
- ◆ Caricare solo a temperature ambiente tra 10 °C e 40 °C.
- ◆ Caricare solo usando il caricabatteria fornito con l'elettro-utensile.
- ◆ Per lo smaltimento delle batterie, seguire le istruzioni fornite alla sezione "Protezione dell'ambiente".



Non tentare di caricare delle batterie danneggiate.

Caricabatterie

- ◆ Usare il caricabatteria Stanley Fat Max solo per caricare la batteria dell'apparecchio con il quale è stato fornito. Altre batterie potrebbero scoppiare causando lesioni alle persone e danni alle cose.
- ◆ Non tentare mai di caricare batterie non ricaricabili.
- ◆ Fare sostituire immediatamente i fili di alimentazione difettosi.
- ◆ Non lasciare che il caricabatteria si bagni.
- ◆ Non aprire il caricabatteria.
- ◆ Non collegare il caricabatteria a sonde.



Il caricabatteria può solo essere usato all'interno.



Leggere il presente manuale d'uso prima dell'impiego.

Sicurezza elettrica



Il doppio isolamento di cui è provvisto il caricabatteria rende superfluo il filo di terra. Controllare sempre che la tensione di rete corrisponda a quella indicata sulla targhetta dei dati tecnici. Non tentare mai di sostituire il caricabatteria con una normale spina elettrica.

- ◆ In caso di danneggiamento del filo di alimentazione, è necessario farlo riparare dal fabbricante o presso un centro assistenza Stanley Fat Max autorizzato in modo da evitare eventuali pericoli.

Caratteristiche

Questo apparecchio presenta alcune o tutte le seguenti caratteristiche.

1. Interruttore a grilletto
2. Pulsante avanti/indietro
3. Collare del mandrino
4. Mandrino esagonale a rilascio rapido
5. Batteria
6. Pulsante di rilascio della batteria
7. Luce di lavoro a LED
8. Portapunte (accessorio non in dotazione)

Assemblaggio

Avvertenza! Prima dell'assemblaggio, estrarre la batteria dall'elettrotensile.

Montaggio e rimozione della batteria (fig. B)

- ◆ Per montare la batteria (5), allinearla all'apposito vano sull'elettrotensile. Infilare la batteria nell'apposito vano premerla fino a quando si aggancia in sede.
- ◆ Per rimuovere la batteria, premere i pulsanti di rilascio (6) estraendo al tempo stesso la batteria dall'apposito vano.

Montaggio e rimozione di una punta di cacciavite o di una bussola (fig. C1, C2)

Questo elettrotensile è dotato di mandrino a rilascio rapido che consente di sostituire facilmente le punte.

Avvertenza! Verificare che l'elettrotensile sia bloccato per evitare l'azionamento dell'interruttore prima dell'installazione o rimozione degli accessori.

- ◆ Bloccare l'elettrotensile regolando il cursore avanti/indietro (2) sulla posizione centrale.
- ◆ Inserire il codolo della punta (13) nel mandrino portapunta (4) (Fig. C1).

Nota! Per rimuovere la punta da cacciavite/bussola, allontanare il collare del mandrino (3) dalla parte anteriore dell'elettrotensile e tenerlo così (Fig. C2).

Avvertenza! Usare esclusivamente attacchi a impulso. Gli attacchi non a impulso potrebbero rompersi e causare una condizione di pericolo. Ispezionare l'attacco prima dell'uso per assicurarsi che non contenga crepature. Usare esclusivamente accessori a impulso.

Utilizzo

Avvertenza! Lasciare che l'elettrotensile funzioni al suo ritmo. Non sovraccaricarlo.

Carica della batteria (fig. A)

La batteria deve essere caricata prima dell'impiego iniziale e quando non eroga una potenza sufficiente per lavori che prima era possibile eseguire facilmente. Durante la carica, la batteria potrebbe riscaldarsi. Si tratta di un fatto normale che non indica che vi è un problema.

Avvertenza! Non ricaricare la batteria a temperature ambientali inferiori a 10°C o superiori a 40°C. La temperatura di ricarica consigliata è di circa 24°C.

Nota: Il caricabatterie non carica una batteria se la temperatura della cella è inferiore a 10 °C o superiore a 40 °C.

La batteria deve essere lasciata nel caricabatterie, che incomincerà a caricare automaticamente quando la temperatura della cella aumenta o diminuisce.

- ◆ Per caricare la batteria (5), inserirla nel caricabatterie (10). La batteria può essere inserita nel caricabatterie solo in un verso. Non forzare. Accertarsi che la batteria sia completamente insediata nel caricabatterie.
- ◆ Collegare il caricabatterie alla presa di corrente.

L'indicatore di carica (11) passa al lampeggio verde continuo (lentamente).

La carica è completa quando l'indicatore di carica (11) rimane acceso di continuo in verde. Il caricabatterie e la batteria possono essere lasciati collegati indefinitamente con il LED acceso. Il LED passa al lampeggio verde (carica in corso) quando il caricabatterie di tanto in tanto rabocca la carica della batteria. L'indicatore di carica (11) si accende se la batteria è inserita nell'alimentatore collegato a una presa elettrica.

- ◆ Caricare le batterie scariche entro 1 settimana. La durata delle batterie diminuisce parecchio se sono conservate scariche.

Batteria lasciata nel caricabatterie

Il caricabatterie e il pacco batteria possono essere lasciati collegati con il LED sempre acceso. Il caricabatterie manterrà il pacco batteria come nuovo e completamente carico.

Diagnostica del caricabatterie

Se l'alimentatore rileva che la batteria è debole o danneggiata, fa lampeggiare velocemente in rosso l'indicatore di carica (11). Procedere nel modo seguente:

- ◆ Inserire di nuovo la batteria (5).
- ◆ Se gli indicatori di carica continuano a lampeggiare in rosso a un ritmo veloce, usare una batteria diversa per determinare se il ciclo di carica funziona correttamente.
- ◆ Se la batteria di ricambio si carica correttamente, significa che quella originale è difettosa e che deve essere spedita a un centro di assistenza per essere riciclata.
- ◆ Se anche con la nuova batteria si ottengono i medesimi risultati dati da quella vecchia, portare il caricatore presso un centro di assistenza autorizzato per essere sottoposto a controllo.

Nota: ci possono volere anche 60 minuti per determinare se la batteria è difettosa. Se la batteria è troppo calda o troppo fredda, il LED lampeggia alternamente in rosso a un ritmo veloce e lento con un lampeggio veloce e uno lento ripetuti nel tempo.

Selezione della direzione di rotazione (fig. D)

Per l'avvitatura, usare la rotazione in avanti (senso orario). Per l'allentamento, usare la rotazione indietro (senso antiorario).

- ◆ Per selezionare la rotazione in avanti, spingere il cursore avanti/indietro (2) verso sinistra.
- ◆ Per selezionare la rotazione indietro, spingere il cursore avanti/indietro verso destra.
- ◆ Per bloccare l'elettrotensile, regolare il cursore avanti/indietro sulla posizione centrale.

Avvitatura/taratura dei dadi

- ◆ Selezionare la punta da cacciavite/bussola idonea alla vite o al dado da serrare.
- ◆ Selezionare la rotazione avanti o indietro come descritto qui sopra.
- ◆ Tenere l'elettrotensile allineato alla bulloneria.
- ◆ Premere l'interruttore a grilletto (1).
- ◆ Dopo il serraggio, controllare la coppia con una chiave torsionometrica.

Luce di lavoro a LED

La luce di lavoro a LED (7) è attivata automaticamente quando si preme la levetta. La luce di lavoro a LED si accende quando la levetta è premuta a metà, prima che l'elettrotensile cominci a funzionare.

Consigli per un utilizzo ottimale

Avvitatura

- ◆ Usare sempre la punta da cacciavite di tipo e misura corretti.
- ◆ Se le viti sono dure da avvitare, versare una piccola quantità di detersivo o sapone per lubrificarle.
- ◆ Tenere sempre l'elettrotensile e la punta del cacciavite in posizione perpendicolare rispetto alla vite.

Manutenzione

Questo elettrotensile Stanley Fat Max è stato progettato per funzionare a lungo con una manutenzione minima. Prestazioni sempre soddisfacenti dipendono da una cura appropriata e da una pulizia regolare.

Il caricabatterie non richiede nessuna manutenzione salvo una regolare pulizia.

Avvertenza! Prima di eseguire interventi di manutenzione sull'elettrotensile, estrarre la batteria. Scollegare l'alimentatore dalla spina prima di pulirlo.

- ◆ Pulire regolarmente le prese di ventilazione dell'elettrotensile e dell'alimentatore con un pennello o con un panno morbido e asciutto.
- ◆ Il vano del motore deve essere pulito regolarmente con un panno umido.
Non usare materiali abrasivi o detersivi a base di solventi.

- ◆ Aprire regolarmente il mandrino e batterlo leggermente per eliminare la polvere dall'interno.

Protezione dell'ambiente



Raccolta differenziata. I prodotti e le batterie contrassegnati con questo simbolo devono essere smaltiti con i rifiuti domestici normali.

I prodotti e le batterie contengono materiali che possono essere recuperati o riciclati riducendo la richiesta di materie prime. Riciclare i prodotti elettrici e le batterie secondo le disposizioni locali. Ulteriori informazioni sono disponibili all'indirizzo www.2helpU.com

Dati tecnici

		FMC641
Tensione	V_{DC}	18V
Velocità a vuoto	Min^{-1}	0-2800
Battiti	BPM	0-3100
Coppia max. (Metodo PTI)	Nm	165
Capacità del mandrino	mm	6 (esagonale)
Peso	kg	1,5

Caricabatterie	90599846-02		90636454
Tensione in ingresso	V_{AC}	230	230
Tensione erogata	V_{DC}	18	18
Corrente	mA	1000	1000
Tempo di carica approssimativo	Min	80-240	80-240

Batteria		FMC684L	FMC685L	FMC687L	FMC688L
Tensione	V_{AC}	18	18	18	18
Capacità	A/h	1,3	1,5	2,0	4,0
Tipo		Ioni di litio	Ioni di litio	Ioni di litio	Ioni di litio

Livello di pressione sonora misurato in base a EN 60745:	
Pressione sonora (L_{pA})	93,0 dB(A), incertezza (K) 3 dB(A)
Potenza acustica (L_{WA})	104 dB(A), incertezza (K) 3 dB(A)
Valori totali vibrazioni (somma vettoriale triassiale) in base a EN 60745:	
Trapanatura nel metallo ($a_{h,D}$)	14,3 m/s^2 , incertezza (K) 1,5 m/s^2

Dichiarazione di conformità CE

DIRETTIVA MACCHINE



Chiave a impulsi a batteria - FMC641

Stanley Fat Max dichiara che questi prodotti descritti al paragrafo "Dati tecnici" sono conformi a:

2006/42/EC, EN60745-1:2009+A11:2010 EN60745-2-2:2010

Questi prodotti sono anche conformi alla direttiva
2004/108/CE.

(fino al 19/04/2016)
2014/30/EU (da 20/04/2016)
e 2011/65/EU.

Per ulteriori informazioni contattare Stanley Fat Max al seguente indirizzo oppure consultare l'ultima di copertina del manuale.

Il firmatario è responsabile della compilazione del documento tecnico e rende questa dichiarazione per conto di

Stanley Fat Max.

R. Laverick
Direttore tecnico
Stanley Fat Max Europe, 210 Bath Road, Slough,
Berkshire, SL1 3YD
Regno Unito
21/04/2017

Garanzia

Stanley Fat Max è sicura della qualità dei propri prodotti e offre ai consumatori una garanzia di 12 mesi dalla data di acquisto. Il presente certificato di garanzia è complementare ai diritti legali e non li pregiudica in alcun modo. La garanzia è valida sui territori degli stati membri dell'Unione Europea e dell'EFTA (Associazione europea di libero scambio).

Per attivare la garanzia, il reclamo deve essere effettuato in accordo con i Termini e Condizioni Stanley Fat Max e sarà necessario presentare la prova di acquisto al venditore o all'agente di riparazione autorizzato. I Termini e condizioni della garanzia Stanley Fat Max di 1 anno e la sede dell'agente di riparazione autorizzato più vicino sono consultabili su Internet all'indirizzo www.2helpU.com, o contattando l'ufficio Stanley Fat Max di zona all'indirizzo indicato in questo manuale.

Visitare il nostro sito www.stanley.eu/3 per registrare il nuovo prodotto Stanley Fat Max e ricevere gli aggiornamenti sui nuovi prodotti e le offerte speciali.

Bedoeld gebruik

De slagmoersleutel Fat Max FMC641 van Stanley is ontworpen voor toepassing als schroevendraaier en voor het aanzetten van moeren. Dit apparaat is bedoeld voor professionele en private, niet-professionele gebruikers.

Veiligheidsinstructies

Algemene veiligheidswaarschuwingen voor elektrisch gereedschap



Waarschuwing! Lees alle veiligheidswaarschuwingen en alle instructies. Wanneer de volgende waarschuwingen en voorschriften niet in acht worden genomen, kan dit een elektrische schok, brand of ernstig letsel tot gevolg hebben.

Bewaar alle waarschuwingen en instructies als referentiemateriaal. De hierna gebruikte term 'elektrisch gereedschap' in alle waarschuwingen die hieronder worden vermeld, heeft betrekking op elektrisch gereedschap voor gebruik op netspanning (met netsnoer) of op een accu (snoerloos).

1. Veilige werkomgeving

- a. **Houd uw werkomgeving schoon en goed verlicht.** Op rommelige of donkere plekken zullen sneller ongelukken gebeuren.
- b. **Werk niet met elektrisch gereedschap in een omgeving met explosiegevaar, zoals in de nabijheid van brandbare vloeistoffen, gassen of stof.** Elektrisch gereedschap veroorzaakt vonken die het stof of de dampen kunnen doen ontbranden.
- c. **Houd kinderen en omstanders tijdens het gebruik van elektrisch gereedschap op afstand.** Als u wordt afgeleid, kunt u de controle over het gereedschap verliezen.

2. Elektrische veiligheid

- a. **De netstekker van het gereedschap moet in het stopcontact passen. Pas de stekker nooit op enige manier aan. Gebruik geen adapterstekkers in combinatie met geaard elektrisch gereedschap.** Niet-aangepaste stekkers en passende contactdozen verminderen het risico van een elektrische schok.
- b. **Vermijd aanraking van het lichaam met geaarde oppervlakken, bijvoorbeeld buizen, verwarmingen, fornuizen en koelkasten.** Er bestaat een verhoogd risico van een elektrische schok als uw lichaam contact heeft met aarde.
- c. **Stel het gereedschap niet bloot aan regen en vocht.** Als er water in een elektrisch gereedschap dringt, verhoogt dit het risico van een elektrische schok.
- d. **Behandel het snoer voorzichtig.**

Gebruik het snoer nooit om het elektrische gereedschap te dragen of naar u toe te trekken, of de stekker uit het stopcontact te halen. Houd het snoer uit de buurt van warmte, olie, scherpe randen, of bewegende onderdelen. Beschadigde snoeren of snoeren die in de war zijn geraakt, verhogen het risico van een elektrische schok.

- e. **Gebruik, wanneer u buitenshuis met elektrisch gereedschap werkt, alleen verlengsnoeren die zijn goedgekeurd voor gebruik buitenshuis.** Het gebruik van een verlengsnoer dat geschikt is voor buitenshuis, vermindert het risico van een elektrische schok.
- f. **Als u met elektrisch gereedschap werkt op een vochtige locatie, gebruik dan een aardlekschakelaar (RCD).**

Het gebruik van een aardlekschakelaar vermindert het risico van een elektrische schok.

3. Persoonlijke veiligheid

- a. **Blijf alert, let goed op wat u doet en ga met verstand te werk bij het gebruik van elektrisch gereedschap. Gebruik het gereedschap niet als u vermoeid bent of onder de invloed van drugs, alcohol of medicatie bent.** Een moment van onoplettendheid tijdens het werken met elektrisch gereedschap kan leiden tot ernstig persoonlijk letsel.
- b. **Draag persoonlijke beschermende uitrusting. Draag altijd oogbescherming.** Beschermende uitrusting, zoals een stofmasker, antislip veiligheidsschoenen, een helm, of gehoorbescherming, gebruikt in de juiste omstandigheden, zal het risico op persoonlijk letsel verminderen.
- c. **Voorkom per ongeluk inschakelen. Controleer dat de schakelaar in de uit-stand staat voordat u het gereedschap aansluit op het stopcontact en/of de accu plaatst en voordat u het gereedschap optilt of gaat dragen.** Het dragen van elektrisch gereedschap met uw vinger op de schakelaar of het aanzetten van elektrisch gereedschap waarvan de schakelaar aan staat, kan leiden tot ongelukken.
- d. **Verwijder stelsleutel of steeksleutels voordat u het gereedschap inschakelt.** Een steeksleutel of stelsleutel in een draaiend deel van het gereedschap kan tot verwondingen leiden.
- e. **Reik niet buiten uw macht. Blijf altijd stevig en in balans op de grond staan.** Dit zorgt voor betere controle over het elektrisch gereedschap in onverwachte situaties.
- f. **Draag geschikte kleding. Draag geen loszittende kleding of sieraden. Houd uw haar, kleding en handschoenen uit de buurt van bewegende onderdelen.** Loszittende kleding, sieraden of lang haar kunnen door bewegende delen worden gegrepen.

- g. Als voorzieningen voor stofafzuiging of stofopvang kunnen worden gemonteerd, controleer dan dat deze zijn aangesloten en op de juiste wijze worden gebruikt.** Het gebruik van stofafzuiging kan aan stof gerelateerde gevaren verminderen.
- 4. Gebruik en onderhoud van elektrisch gereedschap**
- a. Overbelast het elektrisch gereedschap niet. Gebruik het juiste elektrisch gereedschap voor uw toepassing.** Met het juiste elektrisch gereedschap kunt u de werkzaamheden waarvoor het gereedschap is ontworpen, beter en veiliger uitvoeren.
- b. Gebruik het elektrisch gereedschap niet als de schakelaar niet goed werkt.** Ieder gereedschap dat niet met de schakelaar kan worden bediend, is gevaarlijk en moet worden gerepareerd.
- c. Trek de stekker uit het stopcontact en/of de accu uit het elektrisch gereedschap voordat u het gereedschap instelt, toebehoren wisselt of het gereedschap opbergt.** Dergelijke preventieve veiligheidsmaatregelen verminderen het risico dat het elektrisch gereedschap per ongeluk wordt gestart.
- d. Bewaar elektrisch gereedschap dat niet wordt gebruikt, buiten bereik van kinderen. Laat niet personen die er niet vertrouwd mee zijn en deze aanwijzingen niet hebben gelezen met het gereedschap werken.** Elektrisch gereedschap is gevaarlijk in handen van ongetrainde gebruikers.
- e. Onderhoud het gereedschap goed. Controleer of bewegende delen van het gereedschap goed functioneren en niet klemmen, en of er onderdelen zodanig zijn gebroken of beschadigd dat de werking van het gereedschap nadelig wordt beïnvloed. Laat het gereedschap voor gebruik repareren als het beschadigd is.** Veel ongelukken worden veroorzaakt door slecht onderhouden elektrisch gereedschap.
- f. Houd zaag- en snijdgereedschap scherp en schoon.** Goed onderhouden snijdgereedschappen met scherpe snijvlakken lopen minder snel vast en zijn gemakkelijker onder controle te houden.
- g. Gebruik elektrisch gereedschap, toebehoren, zaagjes en boortjes, enz., volgens deze aanwijzingen. Let daarbij op de arbeidsomstandigheden en de uit te voeren werkzaamheden.** Gebruik van het elektrisch gereedschap voor werkzaamheden die anders zijn dan bedoeld, kan leiden tot een gevaarlijke situatie.
- 5. Gebruik en onderhoud van accugereedschap**
- a. Laad accu's alleen op met de door de fabrikant aanbevolen lader.** Een lader die geschikt is voor het ene type accu, kan een risico van brand doen ontstaan bij gebruik met een andere accu.
- b. Gebruik elektrisch gereedschap alleen in combinatie met specifiek vermelde accu's.** Het gebruik van andere accu's kan gevaar voor letsel en brand opleveren.
- c. Houd de accu, wanneer u deze niet gebruikt, weg bij andere metalen objecten zoals paperclips, munten, sleutels, spijkers, schroeven of andere kleine metalen voorwerpen die een verbinding tot stand kunnen brengen tussen de ene pool en de andere.** Als kortsluiting tussen de polen van de accu wordt gemaakt, kan dit tot brandwonden of brand leiden.
- d. Wanneer de accu slecht wordt behandeld, kan er vloeistof uit de accu spuiten, vermijd contact met deze vloeistof. Als er per ongeluk contact ontstaat, spoel dan met water. Als de vloeistof in de ogen komt, roep dan tevens medische hulp in.** Vloeistof uit de accu kan irritatie en brandwonden veroorzaken.
- 6. Service**
- a. Laat het gereedschap repareren door gekwalificeerd en vakkundig personeel en alleen met originele vervangende onderdelen.** Dit zorgt ervoor dat de veiligheid van het gereedschap gewaarborgd blijft.

Aanvullende veiligheidswaarschuwingen voor elektrisch gereedschap



Waarschuwing! Aanvullende veiligheidswaarschuwingen voor slagmoersleutels

- ◆ **Draag gehoorbescherming bij gebruik als klopper.** Blootstelling aan lawaai kan gehoorverlies veroorzaken.
- ◆ **Gebruik de extra handgrepen die bij het gereedschap worden geleverd.** Verlies van controle kan leiden tot persoonlijk letsel.
- ◆ **Houd het gereedschap vast aan de geïsoleerde handgrepen wanneer u werkzaamheden uitvoert waarbij het bevestigingsmateriaal in aanraking kan komen met verborgen bedrading.** Bevestigingsmateriaal dat in contact komt met bedrading die onder stroom staat, kan metalen onderdelen van het gereedschap onder stroom zetten en de gebruiker een elektrische schok geven.
- ◆ **Zet het werkstuk met klemmen of op een andere praktische manier vast en ondersteun het werkstuk op een stabiele ondergrond.** Wanneer u het werkstuk vasthoudt met de hand of het tegen uw lichaam gedrukt houdt, is het instabiel en kunt u de controle verliezen.
- ◆ **Het bedoeld gebruik wordt beschreven in deze instructiehandleiding.** Het gebruik van andere accessoires of hulpstukken of uitvoering van andere handelingen met dit gereedschap dan die in deze instructiehandleiding worden aanbevolen, kan leiden tot persoonlijk letsel en/of materiele schade.



Waarschuwing! Slagmoersleutels zijn geen momentsleutels. Gebruik dit gereedschap niet voor het vastdraaien van bevestigingsmaterialen tot een bepaald moment. Gebruik een afzonderlijke, gekalibreerde momentmeter zoals een momentsleutel wanneer bevestigingsmateriaal dat te veel of te weinig is aangezet, ertoe kan leiden dat een verbinding bezwijkt.

Veiligheid van anderen

- ◆ Dit gereedschap is niet bedoeld voor gebruik door personen (inclusief kinderen) met een verminderde fysieke, sensorische of mentale vermogens, of met een gebrek aan ervaring en kennis, tenzij zij onder toezicht staan of instructie over het gebruik van dit gereedschap hebben ontvangen van iemand die verantwoordelijk is voor hun veiligheid.
- ◆ Houd toezicht op kinderen zodat zij niet met het apparaat kunnen spelen.

Overige risico's

Er kunnen zich bij het gebruik van dit gereedschap nog meer risico's voordoen, die mogelijk niet in de bijgesloten veiligheidswaarschuwingen worden beschreven. Deze risico's kunnen zich voordoen door onoordeelkundig gebruik, langdurig gebruik, enz.

Zelfs wanneer de veiligheidsvoorschriften in acht worden genomen en de veiligheidsvoorzieningen worden gebruikt, kunnen bepaalde risico's niet worden uitgesloten. Dit zijn onder meer:

- ◆ Verwondingen die worden veroorzaakt door aanraking van draaiende/bewegende onderdelen.
- ◆ Verwondingen die worden veroorzaakt bij het vervangen van onderdelen, zaagbladen of accessoires.
- ◆ Verwondingen die worden veroorzaakt door langdurig gebruik van gereedschap. Wanneer u langere periodes met het gereedschap werkt, kunt u het beste regelmatig een pauze nemen.
- ◆ Gehoorbeschadiging.
- ◆ Gezondheidsrisico's door het inademen van stof dat vrijkomt bij gebruik van uw gereedschap (bijv.: het werken met hout, vooral eiken, beuken en MDF.)

Trillingen

De aangegeven waarden voor trillingsemmissie in de technische gegevens en de conformiteitverklaring, zijn gemeten conform een standaardtestmethode die door EN 60745 wordt verstrekt. Hiermee kan het ene gereedschap met het andere worden vergeleken. De aangegeven waarde voor trillingsemmissie kan ook worden gebruikt bij een voorlopige bepaling van blootstelling.

Waarschuwing! De waarde voor trillingsemmissie tijdens het werkelijke gebruik van het gereedschap kan verschillen van de aangegeven waarde afhankelijk van de manieren waarop het gereedschap wordt gebruikt. Het trillingsniveau kan toenemen tot boven het aangegeven niveau.

Bij beoordeling van de blootstelling aan trillingen met het doel vast te stellen welke veiligheidsmaatregelen 2002/44/EG vereist ter bescherming van personen die tijdens hun werk regelmatig elektrisch gereedschap gebruiken, moet bij een inschatting van de blootstelling aan trillingen rekening worden gehouden met de werkelijke gebruiksomstandigheden en de manier waarop het gereedschap wordt gebruikt. Daarbij moet ook rekening worden gehouden met alle onderdelen van de bedrijfscyclus, zoals wanneer het gereedschap wordt uitgeschakeld en wanneer het gereedschap stationair loopt en ook de aanlooptijd.

Etiketten op het gereedschap

Behalve van de datumcode is het gereedschap voorzien van de volgende symbolen:



Waarschuwing! De gebruiker moet de instructiehandleiding lezen zodat het risico van letsel wordt beperkt.

Aanvullende instructies voor de veiligheid voor accu's en laders (niet meegeleverd met het gereedschap)

Accu's

- ◆ Probeer nooit om welke reden dan ook de accu open te maken.
- ◆ Stel de accu niet bloot aan water.
- ◆ Bewaar de accu niet op locaties waar de temperatuur kan stijgen tot boven 40 °C.
- ◆ Laad de accu's alleen op bij een omgevingstemperatuur tussen 10 °C en 40 °C.
- ◆ Laad de accu alleen op in de lader die bij het gereedschap wordt geleverd.
- ◆ Gooi accu's weg volgens de instructies in het hoofdstuk "Het milieu beschermen".



Probeer niet beschadigde accu's op te laden.

Laders

- ◆ Gebruik de lader van Stanley Fat Max alleen voor de accu's in het apparaat waarbij de lader is bijgeleverd. Andere accu's kunnen openbarsten, met letsel en materiele schade tot gevolg.
- ◆ Probeer nooit niet-oplaadbare accu's op te laden.
- ◆ Laat een snoer dat kapot is, direct vervangen.

- ◆ Stel de lader niet bloot aan water.
- ◆ Maak de lader niet open.
- ◆ Steek niet met een scherp voorwerp in de lader.



De lader is uitsluitend bestemd voor gebruik binnenshuis.



Lees de instructiehandleiding voordat u de lader in gebruik neemt.

Elektrische veiligheid



De lader is dubbel geïsoleerd, en daarom is een aardedraad niet nodig. Controleer altijd dat de netspanning overeenkomt met de waarde op het typeplaatje. Probeer nooit de lader te voorzien van een normale netstekker.

- ◆ Als het netsnoer is beschadigd, moet dit worden vervangen door de fabrikant of door een officieel Stanley Fat Max-servicecentrum, zodat ongelukken worden voorkomen.

Onderdelen

Dit apparaat heeft enkele van de volgende functies of altemaal.

1. Aan/uit-schakelaar
2. Vooruit/achteruit-knop
3. Kraag boorhouder
4. Inbus snelsluitboorhouder
5. Accu
6. Accu-ontgrendelknop
7. Led-werklicht
8. Boorhouder (accessoire niet meegeleverd)

Montage

Waarschuwing! Verwijder de accu uit het gereedschap voordat u met de montage begint.

De accu plaatsen en verwijderen (afb. B)

- ◆ U plaatst de accu (5) door deze tegenover het vak op het gereedschap te houden. Schuif de accu in het vak en duw tot de accu vastklikt.
- ◆ Als u de accu wilt verwijderen, drukt u op de vergrendelingsknoppen (6) en trekt u tegelijkertijd de accu uit het accuvak.

Een schroefbit of dop plaatsen of verwijderen (afb. C1, C2)

Dit gereedschap is uitgerust met een snelspanknop, zodat u bits gemakkelijk kunt verwisselen.

Waarschuwing! Controleer voor u accessoires plaatst of verwijdert, dat het gereedschap is vergrendeld zodat de schakelaar niet per ongeluk kan worden geactiveerd.

- ◆ Vergrendel het gereedschap door de schuifknop voor vooruit/achteruit (2) in de middelste stand te zetten.
- ◆ Plaats de bitschacht (13) in de spanknop (4) (Afb. C1).

NB! Trek de kraag (3) van de spanknop weg van de voorkant van het gereedschap (Afb. C2) en houd deze vast als u het bit/de dop wilt verwijderen.

Waarschuwing! Gebruik alleen doppen die geschikt zijn voor slagmoersleutels. Andere doppen dan slagdoppen kunnen breken en dat kan leiden tot een gevaarlijke situatie. Inspecteer de dop voor gebruik zodat u zeker weet dat er geen scheuren in zitten. Gebruik alleen accessoires die geschikt zijn voor slagmoersleutels.

Gebruik van het gereedschap

Waarschuwing! Laat het gereedschap op zijn eigen snelheid werken. Overbelast het gereedschap niet.

De accu opladen (afb. A)

De accu moet vóór het eerste gebruik worden opgeladen, en ook zodra de accu niet meer voldoende vermogen levert voor taken die eerst gemakkelijk konden worden uitgevoerd. Tijdens het opladen kan de accu warm worden. Dit is normaal en duidt niet op een probleem.

Waarschuwing! Laad de accu niet op bij een omgevingstemperatuur van lager dan 10 °C of hoger dan 40 °C. De aanbevolen laadtemperatuur ligt op ongev. 24 °C.

Opmerking: De lader functioneert niet als de temperatuur van de accu lager is dan ongeveer 10 °C of hoger dan 40 °C.

Laat de accu in dat geval in de lader zitten. De lader wordt automatisch ingeschakeld wanneer de accu de juiste temperatuur heeft.

- ◆ Plaats de accu (5), wanneer u deze wilt opladen, in de lader (10). De accu past maar op één manier in de lader. Oefen er geen kracht op uit. Controleer dat de accu goed in de lader is geplaatst.
- ◆ Steek de stekker van de lader in een stopcontact.

Het indicatielampje van de oplader (11) blijft (langzaam) groen knipperen.

Wanneer het indicatielampje (11) continu groen brandt, is de accu volledig opgeladen. U kunt de accu voor onbepaalde tijd in de lader laten zitten, terwijl het Led-lampje brandt. Het Led-lampje gaat groen knipperen (opladen), omdat de accu zo nu en dan door de lader wordt bijgeladen. Het indicatielampje (11) blijft branden zolang de accu zich op de lader bevindt en de lader is aangesloten op het stopcontact.

- ◆ Laad lege accu's binnen 1 week op. Als u accu's leeg bewaart, wordt de levensduur van de accu's aanzienlijk verminderd.

De accu in de lader laten zitten

U kunt de accu voor onbepaalde tijd in de lader laten zitten terwijl het Led-lampje brandt. De lader zorgt ervoor dat de accu altijd volledig opgeladen is.

Diagnose van de accu door de lader

Als er wordt geconstateerd dat de accu bijna leeg is of beschadigd is, gaat het indicatielampje van de oplader (11) snel rood knipperen. Ga in dat geval als volgt te werk:

- ◆ Plaats de accu (5) opnieuw.
- ◆ Controleer, als het indicatielampje snel rood blijft knipperen, met een andere accu of de lader wel goed werkt.
- ◆ Als de andere accu wel goed laadt, is de oorspronkelijke accu kapot en kunt u deze het beste terugbrengen naar een servicecentrum, waar de accu kan worden gerecycled.
- ◆ Als bij de nieuwe accu het lampje ook snel knippert, laat de lader dan testen in een geautoriseerd servicecentrum.

Opmerking: Het kan soms wel 60 minuten duren voordat kan worden vastgesteld dat de accu niet goed functioneert. Als de accu te warm of te koud is, knippert het lampje afwisselend snel en langzaam rood.

De draairichting selecteren (afb. D)

Gebruik de draairichting voorruit (rechtsom) om vast te draaien. Gebruik de draairichting achterruit (linksom) om los te draaien.

- ◆ Duw voor voorwaartse rotatie de schuifknop voorruit/achterruit (2) naar links.
- ◆ Duw voor voorwaartse rotatie de schuifknop voorruit/achterruit naar rechts.
- ◆ U kunt het gereedschap vergrendelen door de schuifknop voor Voorruit/Achterruit in de middelste stand te zetten.

Schroeven/moeren aanzetten

- ◆ Selecteer de juiste bit/dop voor de schroef of moer die moet worden los-/aangedraaid.
- ◆ Selecteer vooruit of achteruit zoals hierboven beschreven.
- ◆ Houd het gereedschap op één lijn met het bevestigingsmateriaal.
- ◆ Druk de aan/uit-schakelaar in (1)
- ◆ Controleer het aanhaalmoment met een momentsleutel nadat u het bevestigingsmateriaal hebt aangedraaid.

LED-werklicht

Het LED-werklicht (7) gaat automatisch branden als de aan/uit-schakelaar wordt ingedrukt. Het LED-werklicht brandt wanneer de schakelaar gedeeltelijk is ingedrukt, dus voordat het apparaat begint te werken.

Tips voor optimaal gebruik

Schroeven

- ◆ Gebruik altijd een schroefbit van het juiste type en formaat.

- ◆ Als schroeven moeilijk kunnen worden vastgedraaid, kunt u een kleine hoeveelheid afwasmiddel of zeep als smeermiddel gebruiken.
- ◆ Houd het gereedschap en het schroefbit altijd recht in het verlengde van de schroef.

Onderhoud

Uw Stanley Fat Max-gereedschap is ontworpen om gedurende langere periode te functioneren met een minimum aan onderhoud. Het continu naar tevredenheid functioneren hangt af van de juiste zorg voor het gereedschap en regelmatig schoonmaken.

Behalve regelmatige reiniging vraagt de lader geen onderhoud.

Waarschuwing! Voordat u onderhoud aan het gereedschap uitvoert, verwijdert u de accu uit het gereedschap. Neem de lader uit het stopcontact voordat u deze schoonmaakt.

- ◆ Reinig de ventilatieopeningen van het gereedschap en de lader regelmatig met een zachte borstel of een droge doek.
- ◆ Reinig de behuizing van de motor regelmatig met een vochtige doek.
Gebruik niet een schurend schoonmaakmiddel of een schoonmaakmiddel op basis van een oplosmiddel.
- ◆ Open regelmatig de spanknop en tik eventueel stof uit het binnenste.

Het milieu beschermen



Gescheiden afvalinzameling. Producten en accu's die zijn voorzien van dit symbool mogen niet bij het normale huishoudafval worden weggegooid.

Producten en accu's bevatten materialen die kunnen worden teruggewonnen of gerecycled, wat de vraag naar grondstoffen doet afnemen.

Recycle elektrische producten en accu's volgens de ter plaatse geldende bepalingen. Nadere informatie is beschikbaar op www.2helpU.com

Technische gegevens

		FMC641
Spanning	V_{DC}	18V.
Snelheid onbelast	Min^{-1}	0-2800
Slagen	SPM	0-3100
Max. torsie (PTI-methode)	Nm	165
Capaciteit boorkop	mm	6 (Inbus)
Gewicht	kg	1,5

Lader	90599846-02		90636454
Ingangsspanning	V_{AC}	230	230
Uitgangsspanning	V_{DC}	18	18
Laadstroom	mA	1000	1000
Oplaadtijd ongeveer	Min	80-240	80-240

Accu		FMC684L	FMC685L	FMC687L	FMC688L
Spanning	V_{AC}	18	18	18	18
Capaciteit	Ah	1,3	1,5	2,0	4,0
Type		Li-Ion	Li-Ion	Li-Ion	Li-Ion

Geluidsdrukkniveau, volgens EN 60745:

Geluidsdruk (L_{pA}) 93,0 dB(A), meetonzekerheid (K) 3 dB(A)

Geluidsvermogen (L_{WA}) 104 dB(A), meetonzekerheid (K) 3 dB(A)

Totale trillingswaarden (som triaxvector) volgens EN 60745:

Boren in metaal ($a_{h,D}$) < 14,3 m/s^2 , meetonzekerheid (K) 1,5 m/s^2

EG conformiteitsverklaring

RICHTLIJN VOOR MACHINES



Snoerloze slagmoersleutel - FMC641

Stanley Fat Max verklaart dat deze producten, die worden beschreven onder "Technische gegevens", voldoen aan: 2006/42/EC, EN60745-1:2009+A11:2010 EN60745-2-2:2010

Deze producten voldoen tevens aan de richtlijn 2004/108/EG. (tot 19-04-2016) 2014/30/EU (vanaf 20-04-2016) en 2011/65/EU.

Neem voor meer informatie contact op met Stanley Fat Max op het volgende adres of raadpleeg de achterzijde van de handleiding.

De ondergetekende is verantwoordelijk voor de samenstelling van het technische bestand en legt deze verklaring af namens. Stanley Fat Max.

R. Laverick
Technisch Directeur
Stanley Fat Max Europe, 210 Bath Road, Slough,
Berkshire, SL1 3YD
Verenigd Koninkrijk
21-4-2017

Garantie

Stanley Fat Max heeft vertrouwen in zijn producten en biedt consumenten een garantie van 12 maanden vanaf de datum van aankoop. Deze garantie vormt een aanvulling op uw wettelijke rechten en beperken deze niet. De garantie is geldig op het grondgebied van de Lidstaten van de Europese Unie en de Europese Vrijhandelszone.

Voor een garantie-aanspraak moet uw aanspraak in overeenstemming zijn met de Voorwaarden en Condities van Stanley Fat Max en moet u een bewijs van aankoop overleggen aan de verkoper of aan een geautoriseerde reparatiemonteur. Voorwaarden en condities van de 1-jarige garantie van Stanley Fat Max en het adres van de vestiging van het geautoriseerde reparatiecentrum bij u in de buurt, kunt u vinden op internet op www.2helpU.com, of door contact op te nemen met het Stanley Fat Max-kantoor ter plaatse, op het adres dat in deze handleiding wordt vermeld.

Ga naar onze website www.stanley.eu/3 en registreer uw nieuwe product van Stanley Fat Max en ontvang informatie over nieuwe producten en speciale aanbiedingen.

Uso previsto

La llave de percusión Stanley Fat Max FMC641 ha sido diseñada para atornillar y apretar tuercas. Este aparato está pensado para usuarios profesionales y para usuarios no profesionales privados.

Instrucciones de seguridad

Advertencias de seguridad generales para herramientas eléctricas



Advertencia. Lea todas las advertencias de seguridad y todas las instrucciones. En caso de no atenerse a las siguientes advertencias e instrucciones de seguridad, podría producirse una descarga eléctrica, incendio o lesión grave.

Guarde todas las advertencias e instrucciones para futuras consultas. El término "herramienta eléctrica" empleado en las advertencias a continuación hace referencia a la herramienta eléctrica con alimentación de red (con cable) o alimentada por batería (sin cable).

1. Seguridad del área de trabajo

- a. **Mantenga limpia y bien iluminada el área de trabajo.**
Las áreas en desorden u oscuras pueden provocar accidentes.
- b. **No utilice herramientas eléctricas en entornos con peligro de explosión, como aquellos en los que haya líquidos, gases o material en polvo inflamables.** Las herramientas eléctricas originan chispas que pueden inflamar el polvo o los gases.
- c. **Mantenga alejados a los niños y otras personas del área de trabajo al emplear la herramienta eléctrica.**
Las distracciones pueden ocasionar que pierda el control.

2. Seguridad eléctrica

- a. **El enchufe de la herramienta eléctrica debe corresponder a la toma de corriente. No modifique nunca el enchufe de ninguna forma. No utilice ningún enchufe adaptador con las herramientas eléctricas conectadas a tierra.** Los enchufes no modificados y las tomas de corriente correspondientes reducirán el riesgo de descarga eléctrica.
- b. **Evite que su cuerpo toque partes conectadas a tierra como tuberías, radiadores, cocinas y refrigeradores.** Existe un mayor riesgo de descarga eléctrica si su propio cuerpo está conectado a tierra.
- c. **No exponga las herramientas eléctricas a la lluvia y a la humedad.** Si entra agua a una herramienta eléctrica aumentará el riesgo de descarga eléctrica.

- d. **Cuide el cable de alimentación. No use nunca el cable para transportar, tirar de la herramienta eléctrica o desenchufarla. Mantenga el cable alejado del calor, aceite, bordes afilados y piezas en movimiento.** Los cables dañados o enredados aumentan el riesgo de descarga eléctrica.
- e. **Al trabajar con la herramienta eléctrica en la intemperie utilice solamente cables de prolongación homologados para su uso en exteriores.** La utilización de un cable adecuado para el uso en exteriores reduce el riesgo de descarga eléctrica.
- f. **Si la utilización de una herramienta eléctrica en un lugar húmedo es inevitable, utilice una fuente protegida con un dispositivo de corriente residual (RCD).**
El uso de un dispositivo de corriente residual reduce el riesgo de descarga eléctrica.

3. Seguridad personal

- a. **Esté atento a lo que hace y emplee la herramienta eléctrica con prudencia. No maneje una herramienta eléctrica cuando esté cansado o bajo los efectos de drogas, medicamentos o alcohol.** Un momento de falta de atención cuando se manejan las herramientas eléctricas puede ocasionar lesiones personales graves.
- b. **Utilice un equipo de protección personal. Utilice siempre protección ocular.** El uso del equipo protector como mascarillas antipolvo, calzado antideslizante, casco o protección auditiva para condiciones apropiadas reducirá las lesiones personales.
- c. **Impida que la herramienta se ponga en marcha accidentalmente. Asegúrese de que el interruptor se encuentre en la posición de apagado antes de conectar la herramienta a la fuente de alimentación o a la batería, o de coger o transportar la herramienta.** Transportar herramientas eléctricas con el dedo puesto en el interruptor o herramientas eléctricas activadoras que tengan el interruptor encendido puede provocar accidentes.
- d. **Retire las herramientas de ajuste o llaves fijas antes de encender la herramienta eléctrica.** Dejar una llave inglesa u otra llave puesta en una pieza en movimiento de la herramienta eléctrica puede ocasionar lesiones personales.
- e. **Sea precavido. Mantenga un equilibrio adecuado y la estabilidad constantemente.** Esto permite un mejor control de la herramienta eléctrica en situaciones inesperadas.
- f. **Lleve puesta una vestimenta de trabajo adecuada. No se ponga ropa suelta o joyas. Mantenga el cabello, la ropa y los guantes alejados de las piezas en movimiento.** La ropa suelta, las joyas y el pelo largo pueden quedar atrapados en las piezas en movimiento.

- g. Siempre que sea posible utilizar unos equipos de aspiración o captación de polvo, asegúrese de que estén montados y se utilicen correctamente.** El uso de equipo de recogida de polvo puede reducir los riesgos relacionados con el polvo.
- 4. Uso y cuidado de herramientas eléctricas**
- a. No sobrecargue la herramienta eléctrica. Use la herramienta eléctrica correcta para su trabajo.** La herramienta eléctrica correcta funcionará mejor y con mayor seguridad si se utiliza de acuerdo con sus características técnicas.
- b. No utilice herramientas eléctricas con un interruptor defectuoso.** Toda herramienta eléctrica que no pueda controlarse con el interruptor es peligrosa y debe ser reparada.
- c. Desconecte el enchufe de la herramienta eléctrica de la fuente de alimentación y la batería antes de realizar cualquier ajuste, cambiar accesorios o guardar la herramienta.** Dichas medidas de seguridad preventivas reducen el riesgo de poner en marcha accidentalmente la herramienta eléctrica.
- d. Guarde las herramientas eléctricas fuera del alcance de los niños y no permita que la utilicen las personas no familiarizadas con su uso o con estas instrucciones.** Las herramientas eléctricas son peligrosas en manos de personas no capacitadas.
- e. Realice el mantenimiento de sus herramientas eléctricas. Controle si funcionan correctamente, sin atascarse, las partes móviles de la herramienta eléctrica, y si existen partes rotas o deterioradas que pudieran afectar al funcionamiento de la herramienta. Si la herramienta eléctrica está dañada, llévela para que sea reparada antes de utilizarla.** Se ocasionan muchos accidentes por el mal mantenimiento de las herramientas eléctricas.
- f. Mantenga las herramientas de corte limpias y afiladas.** Hay menos probabilidad de que las herramientas de cortar con bordes afilados se bloqueen, y son más fáciles de controlar.
- g. Utilice la herramienta eléctrica, los accesorios, los útiles de la herramienta, etc. de acuerdo con estas instrucciones, y tenga en cuenta las condiciones de trabajo y la tarea que va a realizar.** El uso de la herramienta eléctrica para operaciones que no sean las previstas puede ocasionar una situación peligrosa.
- 5. Uso y cuidado de la herramienta de baterías**
- a. Recárguela solo con el cargador especificado por el fabricante.** Un cargador adecuado para un tipo de paquete de baterías puede provocar riesgos de incendio al ser utilizado con otro paquete de baterías.
- b. Utilice las herramientas eléctricas solamente con las baterías recomendadas.** El uso de otras baterías puede suponer un riesgo de incendio y lesiones.
- c. Cuando no utilice la batería, manténgala alejada de objetos de metal como clips para papel, monedas, llaves, clavos, tornillos y otros pequeños objetos metálicos que pueden realizar una conexión de un terminal a otro.** Si se produce un cortocircuito entre los terminales de la batería, pueden ocasionarse incendios o quemaduras.
- d. En caso de uso abusivo puede salir líquido de la batería, evite el contacto. Si se produce un contacto accidental, lave con agua. Si el líquido se pone en contacto con los ojos, acuda además a un médico.** El líquido expulsado de la batería podrá provocar irritaciones o quemaduras.
- 6. Servicio**
- a. Esta herramienta eléctrica solo la puede reparar personal técnico autorizado que emplee exclusivamente piezas de repuesto originales.** Así se asegurará que se mantenga la seguridad de la herramienta eléctrica.

Advertencias de seguridad adicionales para herramientas eléctricas



Advertencia. Advertencias de seguridad adicionales para llaves de percusión

- ◆ **Utilice protectores para los oídos con los taladros de percusión.** La exposición al ruido puede provocar pérdida de audición.
- ◆ **Utilice las empuñaduras auxiliares suministradas con la herramienta.** La pérdida de control puede provocar lesiones personales.
- ◆ **Sujete la herramienta eléctrica por la superficie protegida cuando realice una operación en la que el accesorio de corte pueda entrar en contacto con cableado oculto.**
El contacto de los elementos de sujeción con un cable "cargado" puede cargar las partes metálicas expuestas de la herramienta eléctrica y producir una descarga eléctrica al operador.
- ◆ **Utilice un tornillo de banco u otro método práctico para asegurar y sujetar la pieza de trabajo a una plataforma estable.** Si sostiene la pieza de trabajo con las manos o con su cuerpo, esta estará inestable y podrá hacer que usted pierda el control.
- ◆ **En este manual se describe el uso previsto.** La utilización de accesorios o dispositivos auxiliares o la realización de operaciones distintas a las recomendadas en este manual de instrucciones para esta herramienta puede presentar riesgo de lesiones personales y/o de daños materiales.



Advertencia. Las llaves de percusión no son llaves dinamométricas. No utilice esta herramienta para apretar elementos de fijación a pares especificados. Hay que utilizar un dispositivo calibrado e independiente de medición de pares, como una llave dinamométrica, en aquellos casos en los que apretar demasiado o demasiado poco los elementos de sujeción podría conllevar un fallo de la unión.

Seguridad de otras personas

- ◆ Las personas (incluidos niños) con capacidades físicas, sensoriales o mentales disminuidas o que carezcan de experiencia y conocimientos no deben utilizar esta herramienta, salvo que hayan recibido supervisión o formación con respecto al uso del aparato por parte de una persona responsable de su seguridad.
- ◆ Los niños deberán permanecer vigilados para asegurarse de que no jueguen con el aparato.

Riesgos residuales

El uso de esta herramienta puede producir riesgos residuales adicionales no incluidos en las advertencias de seguridad adjuntas. Estos riesgos se pueden generar por un uso incorrecto, demasiado prolongado, etc.

El cumplimiento de las normas de seguridad correspondientes y el uso de dispositivos de seguridad no evitan ciertos riesgos residuales. Esto incluye:

- ◆ Lesiones producidas por el contacto con piezas móviles o giratorias.
- ◆ Lesiones producidas al cambiar cualquier pieza, cuchilla o accesorio.
- ◆ Lesiones producidas al usar una herramienta por un tiempo demasiado prolongado. Si utiliza una herramienta durante períodos de tiempo demasiado prolongados, asegúrese de realizar pausas con frecuencia.
- ◆ Deterioro auditivo.
- ◆ Riesgos para la salud producidos al respirar el polvo que se genera cuando se utiliza la herramienta (ejemplo: en los trabajos con madera, especialmente si son de roble, haya y tableros de densidad mediana).

Vibración

Los valores de emisión de vibraciones declarados en el apartado de características técnicas y en la declaración de conformidad se han calculado según un método de prueba estándar proporcionado por la norma EN 60745 y podrán utilizarse para comparar una herramienta con otra. El valor de emisión de vibraciones especificado también puede utilizarse en una evaluación preliminar de la exposición.

Advertencia. El valor de emisión de vibraciones durante el funcionamiento real de la herramienta eléctrica puede diferir del valor declarado en función de cómo se utilice dicha herramienta. El nivel de las vibraciones puede aumentar por encima del nivel declarado.

Al evaluar la exposición a las vibraciones con el fin de determinar las medidas de seguridad que exige la directiva 2002/44/CE para proteger a las personas que utilizan periódicamente herramientas eléctricas en el entorno laboral, deberá tenerse en cuenta una estimación de la exposición a las vibraciones, las condiciones de uso reales y el modo de empleo de la herramienta, así como los pasos del ciclo operativo como, por ejemplo, el número de veces que la herramienta se apaga, el tiempo que está parada y el tiempo de activación.

Etiquetas en la herramienta

Junto con el código de la fecha, en la herramienta aparecen los siguientes símbolos



Advertencia. Para reducir el riesgo de lesiones, el usuario debe leer el manual de instrucciones.

Instrucciones de seguridad adicionales para baterías y cargadores (No suministrados con la herramienta)

Baterías

- ◆ Jamás trate de abrir las baterías por ningún motivo.
- ◆ No exponga la batería al agua.
- ◆ No guarde la batería en lugares en los que la temperatura pueda superar los 40 °C.
- ◆ Realice la carga únicamente a una temperatura ambiente de entre 10 °C y 40 °C.
- ◆ Utilice únicamente el cargador suministrado con la herramienta para realizar la carga.
- ◆ Para desechar las baterías, siga las instrucciones facilitadas en la sección "Protección del medioambiente".



No intente cargar baterías dañadas.

Cargadores

- ◆ Utilice el cargador Stanley Fat Max para cargar únicamente la batería de la herramienta con la que fue suministrado. Otras baterías pueden explotar y provocar lesiones y daños materiales.
- ◆ Nunca intente cargar baterías no recargables.
- ◆ Sustituya los cables defectuosos inmediatamente.
- ◆ No exponga el cargador al agua.
- ◆ No abra el cargador.
- ◆ No aplique ningún dispositivo para medir la resistencia del cargador.



Este adaptador está pensado únicamente para utilizarse en un lugar interior.



Lea el manual de instrucciones antes de usar el producto.

Seguridad eléctrica



El cargador presenta un aislamiento doble; por lo tanto, no se requiere conexión a tierra. Compruebe siempre que el voltaje de la red eléctrica corresponda al valor indicado en la placa de características. No intente sustituir el cargador por un enchufe convencional para la red eléctrica.

- ◆ Si se daña el cable de alimentación, debe ser sustituido por el fabricante o un centro de asistencia técnica autorizado de Stanley Fat Max para evitar cualquier situación de riesgo.

Características

Este aparato incluye una o más de las siguientes características.

1. Interruptor del disparador
2. Botón de avance/retroceso
3. Collar de mandril
4. Mandril hexagonal de desenganche rápido
5. Batería
6. Botón de liberación del conjunto de la batería
7. Luz de trabajo LED
8. Porta puntas (acesorio no suministrado)

Ensamblaje

Advertencia. Antes de proceder al montaje, extraiga la batería de la herramienta.

Inserción y extracción de la batería (fig. B)

- ◆ Para insertar la batería (5), alíneela con el receptáculo de la herramienta. Deslice la batería dentro del receptáculo y empujela hasta que encaje en su sitio.
- ◆ Para extraer la batería, pulse los botones de liberación (6) a la vez que tira de la batería para extraerla del receptáculo.

Colocación y extracción de una punta o broca (Fig. C1, C2)

Esta herramienta está dotada de un portabrocas de liberación rápida que permite cambiar las brocas fácilmente.

Advertencia. Asegúrese de que la herramienta está bloqueada para evitar que se active el interruptor antes de colocar o extraer accesorios.

- ◆ Para bloquear la herramienta, ajuste el control deslizante de avance/retroceso (2) en la posición central.
- ◆ Inserte el eje de la broca (13) en el portabrocas (4). (Fig. C1).

Nota. Para sacar la punta/broca, tire del collar del portabrocas (3) y manténgalo apartado de la parte frontal de la herramienta (Fig. C2).

Advertencia. Utilice sólo brocas de impacto. Los enchufes que no sean de impacto podrán romperse y provocar condiciones peligrosas. Revise la broca antes de utilizar el aparato para comprobar que no tenga rajaduras. Utilice sólo brocas de impacto.

Uso

Advertencia. Deje que la herramienta funcione a su ritmo. No la sobrecargue.

Carga de la batería (Fig. A)

Es necesario cargar la batería antes del primer uso y cada vez que note que no dispone de suficiente potencia para tareas que antes realizaba con facilidad. Es posible que la batería se caliente durante la carga; esto es normal y no denota ningún problema.

Advertencia. No cargue la batería si la temperatura ambiente es inferior a 10 °C o superior a 40 °C. La temperatura de carga recomendada es de aproximadamente 24 °C.

Nota: El cargador no cargará la batería si la temperatura de esta es inferior a 10 °C o superior a 40 °C aproximadamente. Deje la batería en el cargador y este empezará a cargarla automáticamente cuando la temperatura de la batería aumente o disminuya.

- ◆ Para cargar la batería (5), colóquela en el cargador (10). La batería encaja en el cargador solo en un sentido. No la fuerce. Asegúrese de que la batería queda perfectamente encajada en el cargador.
- ◆ Enchufe el cargador y conéctelo a la red eléctrica.

El indicador de carga (11) parpadeará en verde de forma continua (lentamente).

La carga habrá finalizado cuando el indicador de carga (11) se ilumine en verde de manera continua. El cargador y la batería pueden permanecer conectados durante un periodo de tiempo indefinido con el indicador LED iluminado. El indicador LED pasará a parpadear en verde (estado de carga), ya que el cargador completa la carga de la batería ocasionalmente. El indicador de carga (11) permanecerá encendido siempre que la batería esté conectada al cargador y este último permanecerá enchufado.

- ◆ Cargue las baterías descargadas en el plazo de 1 semana. La duración de la batería disminuirá considerablemente si se guarda descargada.

Dejar la batería en el cargador

El cargador y la batería pueden permanecer conectados durante un periodo de tiempo indefinido con el indicador LED iluminado. El cargador mantendrá la batería a baja temperatura y completamente cargada.

Diagnóstico del cargador

Si el cargador detecta que la batería dispone de poca energía o está dañada, el indicador de carga (11) parpadeará en rojo a gran velocidad. Realice el procedimiento siguiente:

- ◆ Vuelva a insertar la batería (5).
- ◆ Si los indicadores de carga siguen parpadeando en rojo a gran velocidad, utilice una batería diferente para determinar si el proceso de carga se efectúa correctamente.
- ◆ Si la batería sustituida se carga correctamente, significa que la batería original está defectuosa y que debe devolverla al centro de servicio para su reciclado.
- ◆ Si el cargador muestra la misma indicación con la batería nueva, llévelo a revisar a un centro de servicio autorizado.

Nota: puede llevar hasta 60 minutos determinar si la batería es defectuosa. Si la batería está demasiado caliente o demasiado fría, el indicador LED alternará parpadeos en rojo, rápidos y lentos, con un destello en cada rango de velocidad, y se repetirá la secuencia.

Selección del sentido de la rotación (Fig. D)

Para apretar, utilice la rotación de avance (en el sentido de las agujas del reloj). Para aflojar, utilice la rotación de retroceso (en sentido contrario al de las agujas del reloj).

- ◆ Para seleccionar la rotación hacia delante, empuje el control deslizante de avance/retroceso (2) hacia la izquierda.
- ◆ Para seleccionar la rotación hacia atrás, empuje el control deslizante de avance/retroceso hacia la derecha.
- ◆ Para bloquear la herramienta, coloque el control deslizante de avance/retroceso en la posición central.

Atornillado/apriete de tuercas

- ◆ Seleccione la punta/broca adecuada para colocar el tornillo o tuerca.
- ◆ Seleccione la rotación hacia delante o hacia atrás como se ha descrito anteriormente.
- ◆ Sostenga la herramienta en línea con la fijación.
- ◆ Pulse el interruptor de accionamiento (1).
- ◆ Después de apretar, compruebe el par con una llave dinamométrica.

Luz de trabajo LED

La luz de trabajo LED (7) se activa de forma automática al pulsar el gatillo. La luz de trabajo LED se iluminará cuando el gatillo se presione parcialmente, antes de que la unidad comience a funcionar.

Consejos por un uso óptimo

Atornillado

- ◆ Utilice siempre el tipo y tamaño adecuados de puntas de atornillar.
- ◆ Si tiene dificultad para apretar los tornillos, inténtelo aplicando una pequeña cantidad de líquido de limpieza o jabón como lubricante.
- ◆ Sujete siempre la herramienta y la punta del destornillador en línea recta con el tornillo.

Mantenimiento

La herramienta de Stanley Fat Max se ha diseñado para que funcione durante un largo período de tiempo con un mantenimiento mínimo. El funcionamiento satisfactorio y continuo depende del buen cuidado de la herramienta y de una limpieza frecuente.

El cargador no requiere ningún mantenimiento especial excepto la limpieza periódica.

Advertencia. Antes de realizar alguna operación de mantenimiento en la herramienta, extraiga la batería. Desenchufe el cargador antes de limpiarlo.

- ◆ Limpie de forma periódica las ranuras de ventilación de la herramienta y el cargador con un cepillo blando o un paño seco.
- ◆ Limpie periódicamente la carcasa del motor con un paño húmedo. No utilice limpiadores abrasivos o a base de disolventes.
- ◆ Abra regularmente el portabrocas y golpéelo suavemente para eliminar los restos de polvo que contenga en su interior.

Protección del medio ambiente



Recogida selectiva. Los productos y las baterías marcadas con este símbolo no se deben eliminar con la basura doméstica normal.

Los productos y las baterías que contienen materiales que se puedan recuperar o reciclar reducen la demanda de materias primas.

Recicle los productos eléctricos y el conjunto de la batería de conformidad con la normativa local. Puede obtener más información en

www.2helpU.com

Datos técnicos

		FMC641
Tensión	V_{CC}	18V
Velocidad en vacío	Min.^{-1}	0-2800
Impactos	BPM	0-3100
Par de torsión máximo (Método PTI)	Nm	165
Capacidad del mandril	mm	6 (Hex)
Peso	kg	1.5

Cargador		90599846-02	90636454
Voltaje de entrada	V_{CA}	230	230
Voltaje de salida	V_{CC}	18	18
Corriente	mA	1000	1000
Tiempo de carga aproximado	min	80-240	80-240

Batería		FMC684L	FMC685L	FMC687L	FMC688L
Tensión	V_{CA}	18	18	18	18
Capacidad	Ah	1.3	1.5	2.0	4.0
Tipo		iones de litio	iones de litio	iones de litio	iones de litio

Nivel de presión acústica de acuerdo con la directiva EN 60745:	
Presión acústica (L_{pA})	93,0 dB(A), incertidumbre (K) 3 dB(A)
Potencia acústica (L_{WA})	104 dB(A), incertidumbre (K) 3 dB(A)
Valores totales de vibración (suma vectorial triaxial) de acuerdo con la directiva EN 60745:	
Perforación de metal ($a_{h,D}$)	14.3 m/s^2 , incertidumbre (K) 1.5 m/s^2

Declaración de conformidad CE

DIRECTIVA DE MÁQUINAS



Destornillador de impacto inalámbrico - FMC641

Stanley Fat Max declara que los productos descritos en la

"ficha técnica" cumplen las siguientes normas:

2006/42/EC, EN60745-1:2009+A11:2010 EN60745-2-2:2010

Estos productos también cumplen la directiva 2004/108/CE (hasta 19/04/2016), 2014/30/EU (desde 20/04/2016) y 2011/65/EU.

Si desea obtener más información, póngase en contacto con Stanley Fat Max a través de la siguiente dirección o consulte el dorso del manual.

El que suscribe es responsable de la compilación del archivo técnico y realiza esta declaración en nombre de Stanley Fat Max.

R. Laverick
Director de Ingeniería
Stanley Fat Max Europe, 210 Bath Road, Slough,
Berkshire, SL1 3YD
Reino Unido
21/04/2017

Garantía

Stanley Fat Max confía en la calidad de sus productos y ofrece a los consumidores una garantía de 12 meses a partir de la fecha de compra. Esta garantía es adicional a sus derechos legales y no los menoscaba en modo alguno. La garantía es válida dentro de los territorios de los Estados Miembros de la Unión Europea y del Área de Libre Comercio Europea.

Para reclamar la garantía, la reclamación se debe presentar de conformidad con las condiciones de Stanley Fat Max. Tendrá que adjuntar un justificante de compra al vendedor o al agente técnico autorizado. Las condiciones de la garantía de 1 años de Stanley Fat Max y la ubicación de su agente técnico autorizado más cercano se pueden obtener en Internet en www.2helpU.com o poniéndose en contacto con su oficina local de Stanley Fat Max en la dirección que se indica en este manual.

Visite nuestro sitio web www.stanley.eu/3 y registre su nuevo producto Stanley Fat Max para mantenerse al día sobre los nuevos productos y las ofertas especiales.

Utilização pretendida

A sua chave de fendas de percussão Stanley Fat Max FMC641 foi concebida para aparafusar parafusos e porcas em aplicações. Este aparelho destina-se a utilização profissional bem como a utilizadores privados não profissionais.

Instruções de segurança

Avisos de segurança gerais para ferramentas eléctricas



Atenção! Leia todos os avisos de segurança e todas as instruções. O não cumprimento dos seguintes avisos e instruções pode resultar em choque eléctrico, incêndio e/ou graves lesões.

Guarde todos os avisos e instruções para futura referência. A expressão "ferramenta eléctrica" utilizada a seguir refere-se a ferramentas eléctricas com ligação à corrente eléctrica (com cabo) ou com bateria (sem fios).

1. Segurança na área de trabalho

- a. **Mantenha a área de trabalho limpa e bem iluminada.** As áreas desorganizadas ou escuras são propensas a acidentes.
- b. **Não trabalhe com ferramentas eléctricas em áreas com risco de explosão, nas quais se encontrem líquidos, gases ou poeiras inflamáveis.** As ferramentas eléctricas criam faíscas que poderão inflamar estas poeiras ou vapores.
- c. **Mantenha crianças e outras pessoas afastadas durante a utilização da ferramenta eléctrica.** As distrações podem levar à perda do controlo da ferramenta.

2. Segurança eléctrica

- a. **As fichas da ferramenta eléctrica devem encaixar na tomada. Nunca modifique a ficha de forma alguma. Não utilize fichas adaptadoras com ferramentas eléctricas ligadas à terra.** As fichas não modificadas e as tomadas compatíveis reduzem o risco de choque eléctrico.
- b. **Evite que o corpo entre em contacto com superfícies ligadas à terra, como tubos, radiadores, fogões e frigoríficos.** Se o seu corpo estiver "ligado" à terra, o risco de choque eléctrico é maior.
- c. **As ferramentas eléctricas não podem ser expostas a chuva nem humidade.** A entrada de água numa ferramenta eléctrica aumenta o risco de choque eléctrico.
- d. **Manuseie o cabo com cuidado. Nunca o utilize para**

transportar, puxar ou desligar a ferramenta eléctrica. Mantenha o cabo afastado de fontes de calor, substâncias oleosas, extremidades aguçadas ou peças móveis. Os cabos danificados ou emaranhados aumentam o risco de choque eléctrico.

- e. **Quando trabalhar com uma ferramenta eléctrica ao ar livre, utilize uma extensão adequada para esse fim.** A utilização de um cabo adequado para uso ao ar livre reduz o risco de choque eléctrico.
 - f. **Se for inevitável trabalhar com uma ferramenta eléctrica num local húmido, utilize um dispositivo de corrente residual (RCD).** A utilização de um DCR reduz o risco de choque eléctrico.
3. **Segurança pessoal**
 - a. **Mantenha-se atento, observe o que está a fazer e seja prudente quando trabalhar com a ferramenta eléctrica. Não utilize uma ferramenta eléctrica quando estiver cansado ou sob o efeito de drogas, álcool ou medicamentos.** Um momento de distração durante a utilização de ferramentas eléctricas poderá resultar em ferimentos graves.
 - b. **Utilize equipamento de protecção pessoal. Use sempre uma protecção ocular.** O equipamento de protecção, como, por exemplo, uma máscara contra o pó, sapatos de segurança antiderrapantes, um capacete de segurança ou uma protecção auditiva, usado nas condições apropriadas, reduz o risco de ferimentos.
 - c. **Evite arranques involuntários. Certifique-se de que o botão está desligado antes de ligar a ferramenta à corrente eléctrica e/ou à bateria, e antes de pegar ou transportar a ferramenta.** Se mantiver o dedo sobre o interruptor ao transportar ferramentas eléctricas ou se as ligar à fonte de alimentação com o interruptor ligado, poderá dar origem a acidentes.
 - d. **Retire eventuais chaves de ajuste ou chaves de fendas antes de ligar a ferramenta eléctrica.** Uma chave de fenda ou de ajuste que se encontre numa peça em rotação da ferramenta eléctrica poderá causar lesões.
 - e. **Não tente chegar a pontos fora do alcance. Mantenha sempre os pés bem apoiados e um equilíbrio apropriado.** Desta forma, será mais fácil controlar a ferramenta eléctrica em situações inesperadas.
 - f. **Use vestuário adequado. Não use roupa larga nem jóias. Mantenha o cabelo, a roupa e as luvas afastados das peças móveis.** As roupas largas, as jóias ou o cabelo comprido podem ficar presos nestas peças.
 - g. **Se for prevista a montagem de dispositivos de extracção e recolha de poeiras, assegure-se de que estão ligados e que são utilizados de forma correcta.** A utilização de dispositivos de extracção de partículas pode reduzir os riscos relacionados com as mesmas.

4. Utilização e manutenção da ferramenta eléctrica

- a. Não sobrecarregue a ferramenta eléctrica. Utilize a ferramenta eléctrica correcta para o seu trabalho.** A ferramenta eléctrica adequada irá efectuar o trabalho de um modo mais eficiente e seguro se for utilizada de acordo com a capacidade para a qual foi concebida.
- b. Não utilize a ferramenta eléctrica se o interruptor não puder ser ligado ou desligado.** Qualquer ferramenta eléctrica que não possa ser controlada através do interruptor de alimentação é perigosa e tem de ser reparada.
- c. Desligue a ficha da tomada e/ou a bateria da ferramenta eléctrica antes de proceder a ajustes, trocar acessórios ou guardar ferramentas eléctricas.** Estas medidas de segurança preventivas reduzem o risco de ligar a ferramenta eléctrica acidentalmente.
- d. Mantenha as ferramentas eléctricas que não estiverem a ser utilizadas fora do alcance das crianças. Não permita que a ferramenta eléctrica seja utilizada por pessoas não familiarizadas com a mesma ou que não tenham lido estas instruções.** As ferramentas eléctricas são perigosas nas mãos de pessoas que não possuam as qualificações necessárias para as manusear.
- e. Proceda à manutenção das ferramentas eléctricas. Verifique se as partes móveis estão desalinhasadas ou bloqueadas, se existem peças partidas ou qualquer outra situação que possa afectar o funcionamento das ferramentas eléctricas. Se a ferramenta eléctrica estiver danificada, esta não deve ser utilizada até que seja reparada.** Muitos acidentes têm como principal causa ferramentas eléctricas com uma manutenção insuficiente.
- f. Mantenha as ferramentas de corte afiadas e limpas.** As ferramentas de corte sujeitas a uma manutenção adequada, com arestas de corte afiadas, emperram com menos frequência e controlam-se com maior facilidade.
- g. Utilize a ferramenta eléctrica, os acessórios e as peças de ferramenta, etc., de acordo com estas instruções, considerando as condições de trabalho e a tarefa a ser executada.** A utilização da ferramenta eléctrica para fins diferentes dos previstos poderá resultar em situações perigosas.
- 5. Utilização e cuidados a ter com a ferramenta com pilhas**
- a. Carregue apenas com o carregador especificado pelo fabricante.** Um carregador adequado para um tipo de bateria pode causar um incêndio se for utilizado com outra bateria.
- b. Utilize ferramentas eléctricas apenas com baterias específicas.** A utilização de outras baterias pode dar origem a risco de danos e incêndio.

- c. Quando não utilizar a pilha, mantenha-a afastada de outros objectos metálicos, tais como cliques para papel, moedas, chaves, pregos, parafusos ou outros pequenos objectos metálicos que permitam fazer a ligação de um terminal para outro.** O curto-circuito de terminais das pilhas pode causar queimaduras ou incêndio.
- d. Em condições abusivas, pode derramar líquido da pilha, devendo evitar o contacto. Se tocar acidentalmente no líquido, lave bem com água. Se o líquido entrar em contacto com os olhos, consulte um médico.** O líquido derramado da bateria pode causar irritação ou queimaduras.
- 6. Assistência**
- a. A sua ferramenta eléctrica só deve ser reparada por pessoal qualificado e só devem ser colocadas peças sobressalentes originais.** Desta forma, é garantida a segurança da ferramenta eléctrica.

Avisos de segurança adicionais para ferramentas eléctricas

Atenção! Avisos de segurança adicionais para chaves de fenda de percussão

- ◆ **Utilize protecção auditiva com berbequins de percussão.** A exposição ao ruído pode causar perda auditiva.
- ◆ **Utilize os punhos auxiliares fornecidos com a ferramenta.** A perda de controlo pode causar lesões pessoais.
- ◆ **Segure a ferramenta eléctrica pelas áreas isoladas quando executar uma operação em que o agrafos possa entrar em contacto com a cablagem oculta.** Os agrafos que entrem em contacto com um fio com tensão eléctrica poderão fazer com que as peças de metal expostas da ferramenta conduzam electricidade e electrocitem o utilizador.
- ◆ **Utilize grampos ou outro sistema prático para apoiar e fixar a peça numa plataforma estável.** Segurar a peça com a mão ou contra o corpo pode causar instabilidade e perda de controlo.
- ◆ A utilização adequada é descrita neste manual de instruções. A utilização de qualquer acessório ou a realização de qualquer operação com esta ferramenta que não se inclua no presente manual de instruções poderá representar um risco de ferimentos e/ou danos materiais.



Atenção! As chaves de fenda de percussão não são chaves de fenda de aperto. Não utilize esta ferramenta para apertar fixadores segundo binários especificados. Deverá ser utilizado um dispositivo de medição de binário independente, como uma chave de fenda de aperto, quando o aperto insuficiente ou excessivo de fixadores for passível de originar a falha das junções.

Segurança de terceiros

- ◆ Esta ferramenta não deve ser utilizada por pessoas (incluindo crianças) que apresentem capacidades físicas, sensoriais ou mentais reduzidas ou que não possuam os conhecimentos e a experiência necessários, excepto se forem vigiadas e instruídas acerca da utilização da ferramenta por uma pessoa responsável pela sua segurança.
- ◆ As crianças deverão ser vigiadas para que não mexam no aparelho.

Riscos residuais

Podem surgir riscos residuais adicionais durante a utilização da ferramenta, que poderão não constar nos avisos de segurança incluídos. Estes riscos podem resultar de má utilização, uso prolongado, etc.

Mesmo com o cumprimento dos regulamentos de segurança relevantes e a implementação de dispositivos de segurança, alguns riscos residuais não podem ser evitados. Estes incluem:

- ◆ Ferimentos causados pelo contacto com peças em rotação/movimento.
- ◆ Ferimentos causados durante a troca de peças, lâminas ou acessórios.
- ◆ Ferimentos causados pela utilização prolongada de uma ferramenta. Quando utilizar uma ferramenta durante períodos prolongados, certifique-se de que faz pausas regularmente.
- ◆ Danos auditivos.
- ◆ Problemas de saúde causados pela inalação de poeiras resultantes da utilização da ferramenta (exemplo: trabalhos em madeira, especialmente carvalho, faia e MDF.)

Vibração

Os valores de emissão de vibração declarados na secção de dados técnicos e na declaração de conformidade foram medidos de acordo com o método de teste padrão fornecido pela norma EN 60745 e podem ser utilizados para comparar ferramentas. O valor de emissão de vibração declarado pode ainda ser utilizado numa avaliação preliminar de exposição.

Atenção! O valor de emissão de vibração durante a utilização real da ferramenta eléctrica pode ser diferente do valor declarado, dependendo da forma como a ferramenta é utilizada. O nível de vibração pode aumentar acima do nível indicado.

Quando avaliar a exposição da vibração para determinar as medidas de segurança exigidas pela Directiva 2002/44/CE para proteger pessoas que utilizem regularmente ferramentas eléctricas na sua actividade profissional, deve ser considerada uma estimativa de exposição de vibração, as condições reais de utilização e o modo de utilização da ferramenta, incluindo ainda todas as partes do ciclo de funcionamento, como os períodos de inactividade e espera da ferramenta, para além do tempo de funcionamento.

Etiquetas colocadas na ferramenta

A ferramenta apresenta os seguintes símbolos de aviso juntamente com o código de data:



Atenção! Para reduzir o risco de ferimentos, o utilizador deve ler o manual de instruções.

Instruções de segurança adicionais para baterias e carregadores (não fornecidos com a ferramenta)

Baterias

- ◆ Nunca tente abrir a bateria, seja qual for o motivo.
- ◆ Não exponha a bateria à água.
- ◆ Não armazene em locais onde a temperatura possa exceder os 40 °C.
- ◆ Carregue apenas a temperaturas ambiente entre 10 °C e 40 °C.
- ◆ Carregue apenas com o carregador fornecido com a ferramenta.
- ◆ Quando eliminar as baterias, siga as instruções da secção " Protecção do ambiente".



Não tente carregar baterias danificadas.

Carregadores

- ◆ Utilize o seu carregador Stanley Fat Max apenas para carregar a bateria na ferramenta respectiva. Outras baterias podem rebentar, provocando ferimentos e danos.
- ◆ Nunca tente carregar baterias não recarregáveis.
- ◆ Substitua os cabos defeituosos imediatamente.
- ◆ Não exponha o carregador à água.
- ◆ Não abra o carregador.
- ◆ Não abra o carregador.



O carregador deverá ser utilizado apenas em espaços interiores.



Antes da utilização, leia o manual de instruções.

Segurança eléctrica



O seu carregador tem isolamento duplo. Por esse motivo, não precisa de ligação à terra. Verifique sempre se a tensão de alimentação corresponde à tensão indicada na placa de especificações. Nunca tente substituir a unidade do carregador por uma tomada de alimentação normal.

- ◆ Se o cabo de alimentação estiver danificado, terá de ser substituído pelo fabricante ou por um centro de assistência autorizado Stanley Fat Max para evitar acidentes.

Componentes

Este aparelho inclui algumas ou todas as seguintes características.

1. Botão de Gatilho
2. Botão de avanço/recuo
3. Anel do mandril
4. Mandril sextavado de libertação rápida
5. Bateria
6. Patilha de libertação das baterias
7. Luz de trabalho LED
8. Suporte da broca (acessório não fornecido)

Montagem

Atenção! Antes de montar, remova a bateria da ferramenta.

Colocação e remoção da bateria (Fig. B)

- ◆ Para colocar a bateria (5), alinhe-a com o receptáculo na ferramenta. Deslize a bateria para dentro do receptáculo e empurre-a até que se encaixe devidamente.
- ◆ Para remover a bateria, pressione os botões de desbloqueio (6) enquanto retira, simultaneamente, a bateria do receptáculo.

Colocar e retirar uma ponta ou bocal da aparafusadora (Fig. C1, C2)

Esta ferramenta inclui um mandril de libertação rápida para facilitar a troca de pontas.

Atenção! Antes de retirar ou instalar acessórios, certifique-se de que a ferramenta está bloqueada para impedir a activação accidental do interruptor de funcionamento.

- ◆ Bloqueie a ferramenta colocando a corrediça de avanço/recuo (2) na posição central.
- ◆ Coloque o veio de pontas (13) no mandril (4) (Fig. C1).

Nota! Para retirar a broca/bocal, puxe e mantenha seguro o botão de ajuste do mandril (3) no sentido contrário à parte frontal da ferramenta (Fig. C2).

Atenção! Utilize apenas tomadas nominais de impacto. As tomadas que não sejam de impacto podem partir-se e dar origem a uma situação de perigo. Inspeccione a tomada antes de a utilizar para garantir que não tem rachas. Utilize apenas acessórios nominais de impacto.

Utilização

Atenção! Não altere o ritmo de funcionamento da ferramenta. Não sobrecarregue.

Carregar a bateria (fig. A)

A bateria precisa de ser carregada antes da primeira utilização e sempre que não conseguir produzir energia suficiente em trabalhos anteriormente feitos sem dificuldade. A bateria pode aquecer durante o carregamento. Isto é normal e não indica um problema.

Atenção! Não carregue a bateria a temperaturas ambiente inferiores a 10 °C ou superiores a 40 °C. Temperatura de carregamento recomendada: aproximadamente 24 °C.

Nota: O carregador não irá carregar a bateria se a temperatura das células for inferior a 10 °C ou superior a 40 °C.

A bateria não deve ser retirada do carregador para que este comece a carregar automaticamente quando a temperatura das células aquecer ou arrefecer.

- ◆ Para carregar a bateria (5), insira-a no carregador (10). A bateria apenas pode ser colocada no carregador de uma forma. Não force o movimento de corte. Certifique-se de que a bateria está completamente introduzida no carregador.
- ◆ Ligue a ficha do carregador e ligue-o à corrente.

O indicador de carga (11) ficará intermitente a verde de forma contínua (lento).

A carga estará concluída quando o indicador de carga (11) ficar verde de forma contínua. O carregador e a bateria podem ser deixados ligados indefinidamente com o LED aceso. O LED irá mudar para o estado de intermitente a verde (a carregar) à medida que o carregador ocasionalmente preenche a carga da bateria. O indicador de carga (11) ficará aceso enquanto a bateria estiver fixa ao carregador ligado na tomada.

- ◆ As baterias descarregadas devem ser carregadas no espaço de 1 semana. A vida útil de uma bateria diminuirá consideravelmente se for guardada sem carga.

Deixar a bateria no carregador

O carregador e a bateria podem permanecer ligados com o LED aceso indefinidamente. O carregador irá manter a bateria completamente carregada.

Diagnóstico do carregador

Se o carregador detectar que a bateria está fraca ou danificada, o indicador de carga (11) ficará vermelho em modo intermitente rápido. Proceda da seguinte forma:

- ◆ Insira novamente a bateria (5).
- ◆ Se os indicadores de carga continuarem a piscar rapidamente a vermelho, utilize uma bateria diferente para determinar se o processo de carga está a funcionar correctamente.
- ◆ Se a bateria de substituição carregar correctamente, então a bateria original está defeituosa e deve ser entregue num centro de serviço para reciclagem.
- ◆ Se a bateria nova der a mesma indicação que a bateria original, leve o carregador até um centro de assistência autorizado para ser testado.

Nota: determinar se a bateria está defeituosa pode demorar até 60 minutos. Se a bateria estiver demasiado quente ou fria, o LED piscará alternadamente de modo rápido e lento, piscando uma vez a cada velocidade e repetindo o processo.

Seleção do sentido de rotação (Fig. D)

Para aparafusar, utilize a rotação para a frente (no sentido dos ponteiros do relógio). Para desaparafusar, utilize a rotação para trás (no sentido contrário ao dos ponteiros do relógio).

- ◆ Para seleccionar a rotação para a frente, empurre a patilha para a frente/para trás (2) para a posição da esquerda.
- ◆ Para seleccionar a rotação para trás, pressione a patilha para a frente/para trás para a direita.
- ◆ Para bloquear a ferramenta, coloque a corrediça de avanço/recuo na posição central.

Aparafusamento de parafusos/porcas

- ◆ Selecione a ponta/bocal para o parafuso ou porca a utilizar.
- ◆ Selecione a rotação para a frente ou para trás, conforme descrito acima.
- ◆ Segure a ferramenta em linha com o fixador.
- ◆ Prima o gatilho (1)
- ◆ Depois de aparafusar, verifique o nível de aperto com uma chave de fenda de aperto.

Luz de trabalho LED

A luz de trabalho LED (7) é activada automaticamente quando o gatilho é premido. A luz de trabalho LED acende-se quando o gatilho é parcialmente libertado, antes de a unidade entrar em funcionamento.

Sugestões para uma utilização óptima

Aparafusar

- ◆ Utilize sempre o tipo e tamanho correctos de brocas de aparafusadora.
- ◆ Se tiver dificuldade em apertar os parafusos, utilize um pouco de detergente ou sabão como lubrificante.
- ◆ Segure sempre a ferramenta e a ponta da aparafusadora em linha recta com o parafuso.

Manutenção

A sua ferramenta Stanley Fat Max foi concebida para funcionar por um longo período de tempo com uma manutenção mínima. Uma utilização continuamente satisfatória depende de uma manutenção apropriada da ferramenta e de uma limpeza regular.

O seu carregador não necessita de manutenção para além da limpeza regular.

Atenção! Antes de ser realizada qualquer operação de manutenção na ferramenta, remova a bateria da ferramenta. Desligue o carregador antes de o limpar.

- ◆ Limpe regularmente as ranhuras de ventilação da ferramenta e do carregador utilizando uma escova suave ou um pano seco.
- ◆ Limpe regularmente o compartimento do motor com um pano húmido. Não utilize produtos de limpeza abrasivos ou à base de solventes.
- ◆ Abra o mandril regularmente e sacuda para remover qualquer vestígio de pó do seu interior.

Protecção do ambiente



Faça uma recolha de lixo selectiva. Os produtos e baterias assinalados com este símbolo não devem ser eliminados em conjunto com resíduos domésticos normais.

Os produtos e baterias contêm materiais que podem ser recuperados ou reciclados, reduzindo a necessidade de matérias-primas.

Recicle os produtos eléctricos e as baterias de acordo com as disposições locais. Estão disponíveis mais informações em www.2helpU.com

Dados técnicos

		FMC641
Tensão	V_{CC}	18V
Velocidade sem carga	Min^{-1}	0-2800
Batimentos	BPM	0-3100
Binário máx. (Método PTI)	Nm	165
Capacidade do mandril	mm	6 (sextavado)
Peso	kg	1.5

Carregador		90599846-02	90636454
Tensão de entrada	V_{CA}	230	230
Voltagem de saída	V_{CC}	18	18
Corrente	mA	1000	1000
Tempo de carga aprox.	Minutos	80-240	80-240

Bateria		FMC684L	FMC685L	FMC687L	FMC688L
Tensão	V_{CA}	18	18	18	18
Capacidade	Ah	1.3	1.5	2.0	4.0
Tipo		lões de lítio	lões de lítio	lões de lítio	lões de lítio

Nível de pressão acústica de acordo com a norma EN 60745:
Pressão acústica (L_{pA}) 93,0 dB(A), imprecisão (K) 3 dB(A)
Potência acústica (L_{WA}) 104 dB(A), imprecisão (K) 3 dB(A)
Valores totais de vibração (soma vectores triax) de acordo com a EN 60745:
Perfuração em metal ($a_{h,D}$) 14,3 m/s ² , imprecisão (K) 1,5 m/s ²

Declaração de conformidade CE

DIRECTIVA "MÁQUINAS"



Chave de impacto sem fio - FMC641

A Stanley Fat Max declara que os produtos descritos em "dados técnicos" estão em conformidade com as seguintes normas:

2006/42/CE, EN60745-1:2009+A11:2010 EN60745-2-2:2010

Estes produtos estão também em conformidade com a Directiva 2004/108/CE.
(até 19/04/2016)
2014/30/UE (a partir de 20/04/2016)
e 2011/65/UE.

Para obter mais informações, contacte a Stanley Fat Max na morada indicada ou consulte o verso do manual.

O abaixo assinado é responsável pela compilação do ficheiro técnico e faz esta declaração em nome da

Stanley Fat Max.

R. Laverick
Director de Engenharia
Stanley Fat Max Europe, 210 Bath Road, Slough,
Berkshire, SL1 3YD
Reino Unido
21/04/2017

Garantia

A Stanley Fat Max confia na qualidade dos seus produtos e oferece aos clientes uma garantia de 12 meses a partir da data de compra. Esta garantia é um complemento dos seus direitos estabelecidos por lei, não os prejudicando de forma alguma. A garantia é válida nos Estados-membros da União Europeia e nos países-membros da Zona Europeia de Comércio Livre.

Para accionar a garantia, esta deve estar em conformidade com os termos e condições da Stanley Fat Max e terá de apresentar comprovativos de compra ao vendedor ou a um agente de reparação autorizado. Os termos e condições da garantia de 1 ano da Stanley Fat Max e a localização do agente de reparação autorizado mais próximo pode ser obtido na Internet em www.2helpU.com ou contactando uma filial da Stanley Fat Max, cuja morada está indicada neste manual.

Visite o nosso Website www.stanley.eu/3 para registar o seu novo produto Stanley Fat Max e receber actualizações sobre novos produtos e ofertas especiais.

Avsedd användning

Den Stanley Fat Max FMC641 slagskruvdragare är avsedd för skruv- och mutterdragning. Apparaten är avsedd för såväl yrkesanvändare som privatkonsumenter.

Säkerhetsinstruktioner

Allmänna säkerhetsanvisningar för elverktyg



Varning! Läs alla säkerhetsvarningar och instruktioner. Fel som uppstår till följd av att varningarna och instruktionerna som listas nedan inte följts kan orsaka elstötar, brand och/eller allvarliga kroppsskador.

Spara alla säkerhetsföreskrifter och anvisningar för framtida bruk. Begreppet "Elverktyg" i alla varningar som listas nedan avser nätdrivna elverktyg (med nätsladd) och batteridrivna elverktyg (sladdlösa).

1. Säkerhet på arbetsområdet

- Se till att arbetsområdet är rent och väl belyst.** Stökiga eller mörka områden inbjuder till olyckor.
- Använd inte elverktyget i explosionsfarlig omgivning, t.ex. i närheten av brännbara vätskor, gaser eller damm.** Elektriska verktyg ge upphov till gnistor som kan antända dammet eller ångorna.
- Håll barn och andra obehöriga personer på avstånd vid arbete med elverktyget.** Distractioner kan göra att du förlorar kontrollen.

2. Elsäkerhet

- Elverktygets stickkontakt måste passa i eluttaget. Modifiera aldrig kontakten på något sätt. Använd inga adapterkontakter med jordanslutna (jordade) elektriska verktyg.** Icke modifierade kontakter och passande uttag minskar risken för elektrisk stöt.
- Undvik kroppskontakt med jordade ytor, t.ex. rör, värmeelement, spisar och kylskåp.** Det finns en ökad risk för elektrisk stöt om din kropp är jordansluten eller jordad.
- Utsätt inte elverktyget för regn eller våta omgivningar.** Vatten som kommer in i ett elverktyg ökar risken för elektrisk stöt.
- Hantera nätsladden varsamt. Använd aldrig sladden för att bära, dra eller koppla bort elverktyget från uttaget. Håll sladden borta från värme, olja, skarpa kanter eller rörliga delar.** Skadade eller tilltrasslade sladdar ökar risken för elektrisk stöt.
- Använd en förlängningsladd som lämpar sig för utomhusbruk när du arbetar med elverktyg utomhus.** Att använda en sladd som lämpar sig för utomhusbruk minskar risken för elektrisk stöt.

- Om du måste använda ett elverktyg på en fuktig plats, bör du använda en strömförsörjning med jordfelsbrytare.**

Att använda en jordfelsbrytare minskar risken för elektrisk stöt.

3. Personlig säkerhet

- Var uppmärksam, se på vad du gör och använd sunt omdöme när du använder elverktyget. Använd inte ett elverktyg när du är trött eller påverkad av droger, alkohol eller mediciner.** Ett ögonblicks ouppmärksamhet när du arbetar med elektriska verktyg kan leda till allvarliga personskador.
 - Använd personlig skyddsutrustning. Använd alltid skyddsglasögon.** Skyddsutrustning såsom dammfilterskydd, halksäkra säkerhetsskor, skyddshjälm eller hörselskydd som används för lämpliga förhållanden minskar personskador.
 - Förhindra oavsiktlig igångsättning. Kontrollera att strömbrytaren står i avstängt läge innan du ansluter verktyget till elnätet eller sätter i batteriet, samt innan du tar upp eller bär verktyget.** Att bära elektriska verktyg med fingret på strömbrytaren eller att koppla strömmen till elektriska verktyg när strömbrytaren är på leder till olyckor.
 - Ta bort alla inställningsverktyg och skruvnycklar innan du startar elverktyget.** Ett verktyg eller en nyckel som har lämnats kvar på en roterande del av det elektriska verktyget kan orsaka kroppsskador.
 - Sträck dig inte för mycket. Ha ordentligt fotfäste och balans hela tiden.** Detta möjliggör bättre kontroll av elverktyget i oväntade situationer.
 - Bär lämpliga kläder. Bär inte lösa kläder eller smycken. Håll hår, beklädnad och handskar borta från delar i rörelse.** Lösa kläder, smycken eller långt hår kan fastna i rörliga delar.
 - Om elverktyget har dammsugnings- och uppsamlingsutrustning, se till att den är ansluten och används på korrekt sätt.** Användning av dammuppsamling kan minska dammrelaterade risker.
- #### 4. Bruk och skötsel av elverktyg
- Överbelasta inte elverktyget. Använd rätt elverktyg för ditt arbete.** Det korrekta elverktyget gör arbetet bättre och säkrare vid den hastighet för vilket det konstruerades.
 - Använd inte elverktyget om det inte kan startas och stängas av med strömbrytaren.** Ett elverktyg som inte kan kontrolleras med strömbrytaren är farligt och måste repareras.
 - Dra stickproppen ur vägguttaget och/eller ta ut batteriet ur elverktyget innan inställningar görs, tillbehör byts ut eller elverktyget ställs undan.** Sådana förebyggande säkerhetsåtgärder minskar risken att oavsiktligt starta elverktyget.

- d. Förvara elverktyg utom räckhåll för barn och låt inte personer som är ovana vid elverktyget eller som inte läst denna bruksanvisning använda det. Elektriska verktyg är farliga i händerna på ovana användare.
- e. Underhålla elverktyg. Kontrollera att rörliga komponenter fungerar felfritt och inte kärvar, att komponenter inte gått sönder eller skadats och inget annat föreligger som kan påverka elverktygets funktion. Om det är skadat, se till att elverktyget blir reparerat före användningen. Många olyckor orsakas av dåligt underhållna elektriska verktyg.
- f. Håll kapverktyg vassa och rena. Ordentligt underhållna kapningsverktyg med vassa skärytor fastnar inte så lätt och är lättare att kontrollera.
- g. Använd elverktyg, tillbehör, bits m.m. enligt dessa anvisningar, samtidigt som arbetsförhållandena och det arbete som ska utföras beaktas. Att använda elverktyget för något annat än det som det är avsett för, kan leda till en riskfylld situation.

- 5. Användning och skötsel av batteridrivet verktyg
 - a. Ladda endast med den laddare som är specificerad av tillverkaren. En laddare som passar en batterityp kan medföra brandrisk om den används ihop med ett annat batteri.
 - b. Använd endast de batteripaket som är speciellt avsedda för elverktyget. Användning av andra batteripaket kan leda till personsador eller eldsvåda.
 - c. När batteriet inte används ska du hålla det åtskilt från metallföremål som gem, mynt, nycklar, spik, skruvar och andra små metallföremål som kan orsaka kortslutning mellan batteriets poler. Kortslutning av batteripolerna kan leda till brännskador eller eldsvåda.
 - d. Under olämpliga förhållanden kan vätska spruta ut från batteriet. Undvik kontakt. Vid oavsiktlig kontakt, spola med vatten. Om vätskan kommer i kontakt med ögonen, sök också läkarhjälp. Vätska som sprutar ur batteriet kan orsaka sveda och brännskador.

- 6. Service
 - a. Låt en kvalificerad reparatör som bara använder originaldelar utföra service på elverktyget. Detta säkerställer att elverktygets säkerhet bibehålls.

Ytterligare säkerhetsanvisningar för elverktyg



Varning! Ytterligare säkerhetsanvisningar för slagskruvdragare

- ◆ Bär hörselskydd när du använder slagborrmaskiner. Att utsättas för buller kan leda till hörselskador.
- ◆ Använd de extra handtag som följer med verktyget. Tappad kontroll kan orsaka personsador.

- ◆ Håll verktyget i de isolerade greppytorna vid arbete där fästnanordningen riskerar att komma i kontakt med dolda elledningar. Fästdon som kommer i kontakt med en strömförande ledning kan göra att exponerade metalldelar hos elverktyget blir strömförande och kan ge användaren en elektrisk stöt.
- ◆ Använd skruvtvingar eller något annat praktiskt sätt att fästa och stödja arbetsstycket mot ett stabilt underlag. Att hålla arbetet för hand eller mot kroppen är instabilt och kan göra att du förlorar kontrollen.
- ◆ Den avsedda användningen beskrivs i denna bruksanvisning. Om andra tillbehör eller tillsatser används, eller om någon annan verksamhet än den som rekommenderas i den här bruksanvisningen genomförs med verktyget, kan personer och/eller egendom ta skada.



Varning! Slagskruvdragare är inte momentnycklar. Använd inte det här verktyget för att dra åt fästnanordningar till ett angivet vridmoment. En särskild, kalibrerad enhet för mätning av vridmoment som en momentnyckel ska användas när för liten åtdragning eller för stor åtdragning av fästnanordningar kan leda till att fogen brister.

Andras säkerhet

- ◆ Detta verktyg får inte användas av personer (inklusive barn) med nedsatt fysisk eller mental förmåga eller bristande erfarenhet och kunskap, om de inte övervakas och får vägledning om användningen av apparaten av en person som ansvarar för deras säkerhet.
- ◆ Barn ska hållas under uppsikt så att de inte leker med apparaten.

Återstående risker

Ytterligare risker som inte finns med i de bifogade säkerhetsanvisningarna kan uppstå när verktyget används. Dessa risker kan uppstå vid felaktig eller långvarig användning, etc. Även om alla relevanta säkerhetsanvisningar följs och säkerhetsanordningar används kan vissa ytterligare risker inte undvikas. Dessa omfattar:

- ◆ Skador orsakade av att roterande/rörliga delar vidrörs.
- ◆ Skador som uppstår vid byte av delar, klingor eller tillbehör.
- ◆ Skador som orsakas av långvarig användning av ett verktyg. Se till att regelbundet ta vilopausar när du använder ett verktyg under en längre period.
- ◆ Nedsatt hörsel.
- ◆ Hälsorisker till följd av inandning av damm när redskapet används (exempel: arbete med trämaterial, särskilt ek, bok och MDF)

Vibrationer

De vibrationsvärden som anges i avsnitten Tekniska data och deklarationen om överensstämmelse har uppmätts i enlighet med en standardtestmetod föreskriven i EN 60745 och kan användas för jämförelse med andra verktyg. Det angivna vibrationsvärdet kan även användas för en preliminär bedömning av exponeringen.

Varning! Vibrationsvärdet under faktisk användning av elverktyget kan skilja sig från det uppgivna värdet beroende på hur verktyget används. Vibrationsnivån kan överstiga den uppgivna nivån.

Vid uppskattningar av exponering för vibrationer i syfte att bedöma vilka säkerhetsåtgärder som är nödvändiga enligt 2002/44/EG för att skydda personer som regelbundet använder elverktyg i arbetet ska man utgå från de faktiska omständigheter under vilka elverktyget används och sättet på vilket det används. Bedömningen ska även ta hänsyn till alla moment i arbetscykeln, t.ex. när verktyget är avstängt och när det går på tomgång såväl som när det faktiskt används.

Etiketter på verktyget

Följande varningssymboler finns på verktyget, tillsammans med datumkoden:



Varning! Läs bruksanvisningen före användning för att minska risken för personskador.

Ytterligare säkerhetsinstruktioner för batterier och laddare (levereras inte med verktyget)

Batterier

- ◆ Försök aldrig öppna av någon anledning.
- ◆ Utsätt inte batteriet för vatten.
- ◆ Förvara inte på platser där temperaturen kan bli högre än 40 °C.
- ◆ Ladda endast vid omgivningstemperaturer på mellan 10 °C och 40 °C.
- ◆ Ladda endast med den laddare som följer med apparaten.
- ◆ Följ instruktionerna i avsnittet "Skydda miljön" när du gör dig av med batterier.



Försök inte ladda skadade batterier.

Laddare

- ◆ Laddaren från Stanley Fat Max får bara användas för att ladda batteriet i det verktyg som laddaren levererades med. Andra batterier kan spricka och orsaka personskador och andra skador.
- ◆ Försök aldrig ladda batterier som inte är uppladdningsbara.
- ◆ Se till att defekta sladdar byts ut omedelbart.
- ◆ Utsätt inte laddaren för vatten.

- ◆ Öppna inte laddaren.
- ◆ Gör ingen åverkan på laddaren.



Laddaren är endast avsedd för inomhusanvändning.



Läs bruksanvisningen före användning.

Elsäkerhet



Eftersom laddaren är dubbelisolerad behövs ingen jordledare. Kontrollera alltid att nätspänningen överensstämmer med spänningen på typskylten. Försök aldrig byta ut laddaren mot en vanlig nätkontakt.

- ◆ Om nätsladden är skadad, måste den bytas ut av tillverkaren eller en auktoriserad Stanley Fat Max-verkstad för att undvika risker.

Funktioner

Den här apparaten har några eller samtliga av följande funktioner.

1. Strömbrytare
2. Knapp framåt/bakåt
3. Chuckhylsa
4. Sexkants snabbchuck
5. Batteri
6. Batterilåsknapp
7. LED-arbetsbelysning
8. Bitsspetsållare (tillbehör medföljer inte)

Montering

Varning! Ta ur batteriet innan du sätter ihop verktyget.

Montera och ta bort batteriet (bild B)

- ◆ Sätt in batteriet (5) genom att placera det i linje med kontakten på verktyget. Skjut in batteriet i facket och tryck tills batteriet snäpper på plats.
- ◆ Ta ur batteriet genom att trycka på låsknapparna (6) samtidigt som du drar ut batteriet ur facket.

Montera och ta bort en skruvbits eller hylsa (bild C1, C2)

Verktyget är utrustat med en snabbchuck så att du enkelt kan byta bits.

Varning! Innan du monterar eller tar bort tillbehör ska du kontrollera att verktyget är låst så att du inte råkar slå på det av misstag.

- ◆ Lås verktyget genom att sätta framåt-/bakåttreglaget (2) i mittenläget.
- ◆ Sätt bitskafet (13) i chucken (4) (bild C1).

Notera! För att ta bort bitsen/hylsan, dra och håll chuckhylsan (3) bort från verktygets främre del.

Varning! Använd endast märkta slaghylsor. Icke- slaghylsor kan bryta och utgöra fara. Inspektera hylsan innan användning för att garantera att den inte har sprickor. Använd endast slagtilbehör.

Användning

Varning! Låt redskapet arbeta i sin egen takt. Överbelasta inte.

Ladda batteriet (fig. A)

Batteriet måste laddas innan det används för första gången samt varje gång det inte ger tillräckligt hög effekt för arbeten som tidigare klarades av. Batteriet kan bli varmt när det laddas. Det är normalt och innebär inte att något är fel.

Varning! Ladda inte batteriet om temperaturen i luften är lägre än 10 °C eller högre än 40 °C. Den rekommenderade laddningstemperaturen är cirka 24 °C.

Notera: Laddaren laddar inte batteriet om celltemperaturen är lägre än ungefär 10 °C eller högre än 40 °C.

Batteriet får då sitta kvar i laddaren, som kommer att börja laddningen automatiskt när celltemperaturen har stigit eller sjunkit.

- ◆ Vid laddning av batteriet (5) sätter du det i laddaren (10). Batteriet kan bara placeras i laddaren på ett sätt. Tvinga inte. Se till att batteriet sitter ordentligt i laddaren.
- ◆ Anslut laddaren till vägguttaget och slå på strömmen.

Laddningsindikatorn (11) börjar blinka grönt (långsamt).

När batteriet är laddat lyser laddningsindikatorn (11) med ett grönt fast sken. Batteriet kan sitta kvar i laddaren och laddaren kan vara ansluten till vägguttaget hur länge som helst när indikatorn lyser. Indikatorn kommer emellanåt att börja blinka grönt (laddningsläge) eftersom laddaren då och då fyller på batteriets laddning. Laddningsindikatorn (11) lyser när batteriet sitter i laddaren och laddaren är ansluten till ett eluttag.

- ◆ Urladdade batterier bör laddas inom 1 vecka. Om batterierna inte laddas när de är urladdade förkortas batterilivslängden avsevärt

Lämna batteriet i laddaren

Batteriet kan sitta kvar i laddaren och laddaren kan vara ansluten till vägguttaget hur länge som helst när indikatorn lyser. Laddaren ser till att batteriet hålls fräscht och fulladdat.

Laddardiagnostik

Om laddaren upptäcker ett svagt eller skadat batteri börjar laddningsindikatorn (11) att blinka rött snabbt. Gör så här:

- ◆ Sätt i batteriet (5) igen.
- ◆ Om laddningsindikatorn fortsätter att blinka rött snabbt kan du använda ett annat batteri för att kontrollera att laddningsprocessen fungerar som den ska.

- ◆ Om det utbytta batteriet kan laddas utan problem är det gamla batteriet defekt och bör lämnas till ett servicecenter för återvinning.
- ◆ Om problemet kvarstår med det nya batteriet bör du ta med laddaren till ett auktoriserat servicecenter.

Notera: Det kan ta upp till 60 minuter att avgöra om batteriet är defekt. Om batteriet är för varmt eller för kallt blinkar indikatorn rött omväxlande snabbt och långsamt med en blinkning i varje hastighet.

Välja rotationsriktning (fig. D)

När du drar åt använder du framåtgående (medurs) rörelse. När du lossar använder du bakåtgående (moturs) rörelse.

- ◆ Du väljer rotation framåt genom att trycka framåt/bakåttreglaget (2) åt vänster.
- ◆ Du väljer rotation bakåt genom att trycka framåt/bakåttreglaget åt höger.
- ◆ Läs verktyget genom att sätta framåt/bakåttreglaget i mittenläget.

Skruv-/mutterdragning

- ◆ Välj lämplig bit/hylsa för skruven eller muttern som ska dras.
- ◆ Välj framåt- eller bakåtgående rörelse enligt beskrivningen ovan.
- ◆ Håll verktyget i linje med fästans ordning.
- ◆ Tryck på avtryckaren (1)
- ◆ Efter åtdragning kontrollerar du vridmomentet med en momentnyckel.

LED-arbetsbelysning

LED-arbetsbelysningen (7) aktiveras automatiskt när strömbrytaren trycks in. LED-arbetsbelysningen tänds när strömbrytaren är delvis nedtryckt, innan enheten startar.

Tips för optimal användning

Skruvdragning

- ◆ Använd alltid skruvbits av rätt sort och storlek.
- ◆ Om en skruv är svår att dra åt kan du använda lite diskmedel eller tvål som smörjmedel.
- ◆ Håll alltid verktyget och skruvdragarbitsen i en rät linje i förhållande till skruven.

Underhåll

Detta Stanley Fat Max-verktyg har tillverkats för att fungera under lång tid med ett minimum av underhåll. Kontinuerlig tillfredsställande drift beror på ordentlig verktygsvård och regelbunden rengöring.

Laddaren behöver inget annat underhåll än regelbunden rengöring.

Varning! Ta ut batteriet ur verktyget innan du utför något underhåll på verktyget. Dra ur sladden till laddaren innan du rengör den.

- ◆ Rengör regelbundet verktygets ventilationsöppningar och laddaren med en mjuk borste eller torr trasa.
- ◆ Rengör motorhöjlet regelbundet med en fuktig trasa. Använd aldrig rengöringsmedel med lösnings- eller slip-medel.
- ◆ Öppna chucken med jämna mellanrum och knacka på den för att avlägsna damm som sitter på insidan.

Skydda miljön



Separat insamling. Produkter och batterier som är markerade med denna symbol får inte kastas i de vanliga hushållsoporna.

Produkter och batterier innehåller material som kan återanvändas eller återvinnas för att minska behovet av råmaterial. Återvinn elektriska produkter och batterier enligt lokala bestämmelser. Närmare information finns tillgänglig på www.2helpU.com

Tekniska data

		FMC641
Spänning	V_{DC}	18V
Varvtal obelastad	Min^{-1}	0-2800
Slag	BPM	0-3100
Max vridmoment (PTI Metod)	Nm	165
Chuckkapacitet	mm	6 (Hex)
Vikt	kg	1.5

Laddare		90599846-02	90636454
Inspänning	V_{AC}	230	230
Utspänning	V_{DC}	18	18
Strömstyrka	mA	1000	1000
Laddningstid cirka	Min	80-240	80-240

Batteri		FMC684L	FMC685L	FMC687L	FMC688L
Spänning	V_{AC}	18	18	18	18
Kapacitet	Ah	1.3	1.5	2.0	4.0
Typ		Li-jon	Li-jon	Li-jon	Li-jon

Ljudnivå enligt EN 60745:
Ljudtryck (L_{pA}) 93,0 dB(A), osäkerhet (K) 3 dB(A)
Ljudeffekt (L_{WA}) 104 dB(A), osäkerhet (K) 3 dB(A)
Totala vibrationsvärden (vektorsumman av tre axlar) enligt EN 60745:
Borning i metall ($a_{h,D}$) 14,3 m/s^2 , osäkerhet (K) 1,5 m/s^2

EG-deklaration om överensstämmelse

MASKINDIREKTIV



Sladdlös slagbormaskin - FMC641

Stanley FatMax garanterar att produkterna som beskrivs under "Tekniska data" uppfyller: 2006/42/EG, EN60745-1:2009+A11:2010 EN60745-2-2:2010

De här produkterna överensstämmer även med Direktivet 2004/108/EG (till 19 april 2016) 2014/30/EU (från 20 april 2016) och 2011/65/EU.

För ytterligare information, kontakta Stanley Europe på följande adress eller se slutet av bruksanvisningen.

Undertecknad är ansvarig för sammanställning av den tekniska filen och gör denna förklaring på Stanley Fat Max vägnar.

R. Laverick
Director of Engineering
Stanley Fat Max Europe, 210 Bath Road, Slough,
Berkshire, SL1 3YD
Storbritannien
2017-04-21

Garanti

Stanley Fat Max är säker på kvaliteten hos denna produkt och erbjuder kunder 12 månaders garanti från datumet för inköpet. Garantin gäller utöver konsumentens rättigheter enligt lag och påverkar inte dessa. Garantin är giltig i de territorier som tillhör medlemsstaterna i Europeiska unionen och det europeiska frihandelsområdet.

För yrkande under garantin måste yrkandet vara in enlighet med Stanley Fat Max villkor och du kommer att behöva skicka in bevis på köpet till försäljaren eller en auktoriserad reparatör. Villkoren för Stanley Fat Max ettåriga garanti och var du hittar din närmaste auktoriserade reparatör kan erhållas på internet på www.2helpU.com, eller genom att kontakta ditt lokala Stanley Fat Max kontor på adressen som angetts i denna bruksanvisning.

Besök vår webbsida www.stanely.eu/3 för att registrera din nya Stanley Fat Max-produkt samt för att få information om nya produkter och specialerbjudanden.

Tiltenkt bruk

Stanley Fat Max FMC641 muttertrekker er konstruert for bruk som skrutrekker og til å feste muttere. Dette apparatet er tiltenkt både fagarbeidere og private brukere.

Sikkerhetsinstruksjoner

Generelle sikkerhetsadvarsler for elektroverktøy



Advarsel! Les alle sikkerhetsadvarsler og alle instruksjoner. Hvis advarslene og anvisningene nedenfor ikke overholdes, kan det medføre elektrisk støt, brann og/eller alvorlige personskader.


Ta vare på alle advarsler og instruksjoner for fremtidig bruk. Uttrykket "elektroverktøy" i alle advarslene nedenfor gjelder for strømdrevne elektroverktøy (med ledning) og batteridrevne elektroverktøy (uten ledning).

1. Sikkerhet i arbeidsområdet

- Hold arbeidsområdet rent og godt opplyst.** Rotete eller mørke områder er en invitasjon til ulykker.
- Ikke arbeid med elektroverktøy i eksplosjonsfarlige omgivelser, for eksempel der det befinner seg brennbare væsker, gass eller støv.** Elektrisk verktøy skaper gnister som kan antenne støv eller gasser.
- Hold barn og andre personer unna når du bruker et elektroverktøy.** Distraksjoner kan føre til at du mister kontrollen.

2. Elektrisk sikkerhet

- Støpselet til verktøyet må passe til stikkkontakten. Aldri modifier støpselet på noen måte. Ikke bruk adapterstøpsler til jordede elektriske verktøy.** Umodifiserte støpsler og stikkontakter som passer vil redusere risikoen for elektrisk sjokk.
- Unngå kroppskontakt med jordede overflater som rør, radiatorer, komfyrer og kjøleskap.** Det er økt risiko for elektrisk støt dersom kroppen din er jordet.
- Ikke utsett elektroverktøy for regn eller fuktighet.** Dersom det kommer vann inn i et elektrisk verktøy vil det øke risikoen for elektrisk sjokk.
- Unngå uforvarlig behandling av ledningen. Aldri bruk ledningen til å bære, trekke eller dra ut støpselet til det elektriske verktøyet. Hold ledningen borte fra varme, olje, skarpe kanter eller bevegelige deler.** Skadede eller innviklede ledninger øker risikoen for elektrisk sjokk.
- Når du bruker et elektroverktøy utendørs, må du bruke en skjøteledning som er egnet til utendørs bruk.** Bruk av en skjøteledning beregnet for utendørs bruk reduserer risikoen for elektrisk støt.

- f. Hvis du ikke kan unngå å bruke elektroverktøy på et fuktig sted, må du bruke en strømforsyning som er beskyttet med jordfeilbryter.
Bruk av jordfeilbryter (RCD) reduserer risikoen for elektrisk sjokk.
3. Personikkerhet
- a. Vær oppmerksom, pass på hva du gjør, og vis fornuft når du arbeider med et elektroverktøy. Ikke bruk et elektrisk verktøy dersom du er trøtt eller er påvirket av medikamenter, narkotika eller alkohol. Ett øyeblikks uoppmerksomhet under bruk av elektriske verktøy kan føre til alvorlig personskade.
- b. Bruk personlig verneutstyr. Bruk alltid vernebriller. Verneutstyr slik som støvmaske, skliskre vernesko, hjelm, eller hørselsvern brukt under passende forhold vil redusere personskader.
- c. Forhindre utilsiktet start. Kontroller at bryteren står i posisjon "av" før du kobler til strømkilden og/eller batteripakken, og før du tar opp eller bærer verktøyet. Å bære elektriske verktøy med fingeren på bryteren eller å sette inn støpselet mens elektriske verktøy har bryteren på øker faren for ulykker.
- d. Fjern eventuelt innstillingsverktøy eller skruverktøy før du slår på elektroverktøyet. Et skruverktøy eller en nøkkel som fortsatt er festet til en roterende del av elektroverktøyet, kan føre til personskade.
- e. Ikke strekk deg for langt. Ha godt fotfeste og stå støtt hele tiden. Dette fører til at du har bedre kontroll over det elektriske verktøyet ved uventede situasjoner.
- f. Bruk egnede klær. Ikke ha på deg løstsittende klær eller smykker. Hold hår, antrekk og hansker borte fra bevegelige deler. Løstsittende klær, smykker og langt hår kan bli fanget opp av bevegelige deler.
- g. Hvis det kan monteres støvavsug- og oppsamlingsinnretninger, må du forvise deg om at disse er tilkoblet og brukes på riktig måte. Bruk av støvoppsamlere kan redusere støvrelaterte farer.
4. Bruk og behandling av elektroverktøy
- a. Ikke bruk makt på elektroverktøyet. Bruk det elektriske verktøyet som situasjonen krever. Det riktige elektriske verktøyet vil gjøre jobben bedre og tryggere ved den hastigheten det ble konstruert for.
- b. Ikke bruk elektroverktøyet hvis du ikke kan slå det på og av med bryteren. Ethvert elektrisk verktøy som ikke kan kontrolleres med bryteren er farlig og må repareres.
- c. Trekk støpselet ut av stikkontakten og/eller koble fra batteripakken på elektroverktøyet før du utfører innstillinger, bytter tilbehør eller legger elektroverktøyet bort for lagring. Slike preventive sikkerhetsforanstaltninger reduserer risikoen for å starte det elektriske verktøyet ved et uhell.
- d. Elektroverktøy som ikke er i bruk, må oppbevares utilgjengelig for barn. Ikke la verktøyet bli brukt av personer som ikke er fortrolige med det, eller som ikke kjenner disse instruksjonene. Elektriske verktøy er farlige i hendene på utrenede brukere.
- e. Sørg for vedlikehold av elektroverktøy. Undersøk om bevegelige deler er feiljustert eller blokkert, om deler er skadet, og om det er andre forhold som kan påvirke elektroverktøets funksjon. Dersom det er skadet, få verktøyet reparert før neste bruk. Mange ulykker forårsakes av dårlig vedlikeholdte verktøy.
- f. Hold skjæreverktøy skarpe og rene. Godt vedlikeholdte skjæreverktøy med skarpe skjærekanter setter seg mindre sannsynlig fast og er lettere å kontrollere.
- g. Bruk elektroverktøy, tilbehør, bits osv. i henhold til disse instruksjonene. Ta hensyn til arbeidsforholdene og arbeidet som skal utføres. Bruk av det elektriske verktøyet for oppgaver som er forskjellige fra de som er tiltenkt kan føre til en farlig situasjon.
5. Bruk og stell av batteriverktøy
- a. Ladningen skal bare skje med den laderen som produsenten har spesifisert. En lader som passer for en type batteripakke kan føre til risiko for brann dersom den brukes på en annen batteripakke.
- b. Bruk elektroverktøy bare sammen med spesifikt angitte batteripakker. Bruk av andre batteripakker kan føre til risiko for personskade og brann.
- c. Når batteripakken ikke er i bruk, må du oppbevare den atskilt fra andre metallgjenstander som binders, mynter, nøkler, spiker, skruer eller andre små metallgjenstander som kan opprette en forbindelse fra en terminal til en annen. Kortslutning av batteripolene med hverandre kan føre til brannskader eller brann.
- d. Ved feilaktig bruk kan det komme væske ut av batteriet, unngå kontakt med den. Dersom du kommer i kontakt med den, skyll av med vann. Dersom du får væsken i øynene, søk legehjelp. Væske som kommer ut av batteriet kan føre til irritasjon eller brannskader.
6. Service
- a. Elektroverktøyet skal repareres av kvalifisert personell og bare med originale reservedeler. Dette vil sikre at verktøyet sikkerhet blir ivaretatt.
- Ytterligere sikkerhetsadvarsler for elektroverktøy
-  Advarsel! Ytterligere sikkerhetsadvarsler for muttetrekkere
- ◆ Bruk hørselsvern når du bruker slagboremaskiner. Å bli utsatt for støy kan forårsake hørselstap.

- ◆ **Bruk hjelpehåndtak som følger ned verktøyet.** Å miste kontroll kan forårsake personskade.
- ◆ **Hold elektroverktøyet i de isolerte grepene når du utfører arbeid der festeordningen kan komme i kontakt med skjulte ledninger.** Skruer som kommer i kontakt med en strømførende ledning kan føre til at eksponerte metalldele på elektroverktøyet blir strømførende, og kan gi brukeren støt.
- ◆ **Bruk klemmer eller en annen praktisk måte å feste og støtte arbeidsstykket på en stabil plattform.** Å holde arbeidsstykket i hendene eller mot kroppen er ustabil og kan føre til at du mister kontroll.
- ◆ Bruksområdet er beskrevet i denne bruksanvisningen. Hvis du bruker annet tilbehør, kobler til annet utstyr eller bruker dette produktet til andre oppgaver enn det som er anbefalt i denne håndboken, kan det medføre fare for personskader og/eller skade på eiendom.



Advarsel! Muttertrekkere er ikke momentnøkler. Ikke bruk dette verktøyet til å stramme festeordninger til spesifiserte momenter. Du bør bruke et uavhengig, kalibrert verktøy som måler moment, for eksempel en momentnøkkel, når koblinger kan svikte hvis festeordninger er for lite eller for mye strammet.

Andre personers sikkerhet

- ◆ Det er ikke meningen at dette verktøyet skal brukes av personer (inkludert barn) med reduserte fysiske, sansemessige eller mentale evner, eller som mangler erfaring og kunnskap, med mindre de har fått oppfølging eller instruksjon når det gjelder bruken av apparatet, fra en person som er ansvarlig for deres sikkerhet.
- ◆ Barn må holdes under oppsyn, sørg for at de ikke leker med apparatet.

Restrisikoer

Når verktøyet brukes, kan det oppstå ytterligere risikoer som kanskje ikke er beskrevet i de medfølgende sikkerhetsadvarslene. Disse risikoene kan bli forårsaket av feil bruk, langvarig bruk osv.

Selv om de relevante sikkerhetsbestemmelsene blir fulgt, og sikkerhetstiltakene blir gjennomført, kan visse gjenværende risikoer ikke unngås. Disse inkluderer:

- ◆ Personskader som forårsakes av berøring av en roterende/bevegelig del.
- ◆ Personskader som forårsakes av at en del, et blad eller tilbehør endres.
- ◆ Personskader som skyldes for lang tids bruk av verktøyet. Når du bruker et verktøy i lange perioder, må du sørge for å ta regelmessige pauser.
- ◆ Hørselskader.

- ◆ Helsefærer som forårsakes av innånding av støv som dannes når du bruker verktøyet (eksempel: arbeid med tre, spesielt eik, bøk og MDF)

Vibrasjon

Vibrasjonsemisjonsverdien som er angitt under tekniske data og samsvarserklæring, er blitt målt i henhold til en standard testmetode som er angitt i EN 60745, og kan brukes til å sammenligne et verktøy med et annet. Den oppgitte vibrasjonsemisjonsverdien kan også brukes til en foreløpig vurdering av eksponering.

Advarsel! Vibrasjonsemisjonsverdien under faktisk bruk av elektroverktøyet kan avvike fra den oppgitte verdien avhengig av måten verktøyet blir brukt på. Vibrasjonsnivået kan øke over nivået som er oppgitt.

Når det vurderes vibrasjonseksponering for å avgjøre hvilke sikkerhetstiltak som kreves ifølge 2002/44/EF, for å beskytte personer som bruker elektroverktøy regelmessig til arbeidsformål, skal det, når vibrasjonseksponeringen anslås, tas hensyn til de faktiske bruksforholdene og måten verktøyet blir brukt på. Dette inkluderer å ta hensyn til alle deler av brukssyklusen, for eksempel når verktøyet er avslått, når det går på tomgang og når utløseren er trykket inn.

Etiketter på verktøyet

Følgende advarselssymboler vises på verktøyet sammen med datokoden:



Advarsel! Brukeren må lese håndboken for å redusere risikoen for personskade.

Ytterligere sikkerhetsinstruksjoner for batterier og ladere (følger ikke med verktøyet)

Batterier

- ◆ Forsøk aldri å åpne av noen årsak.
- ◆ Ikke utsett batteriet for vann.
- ◆ Ikke oppbevar det på steder hvor temperaturen kan komme over 40 °C.
- ◆ Lad bare ved temperaturer mellom 10 °C og 40 °C.
- ◆ Bruk bare laderen som følger med verktøyet.
- ◆ Følg instruksjonene i avsnittet "Miljøvern" når du skal kaste batterier.



Ikke forsøk å lade opp skadede batterier.

Ladere

- ◆ Stanley Fat Max-laderen skal bare brukes til å lade batteriet i apparatet som laderen kom sammen med. Andre batterier kan sprekke og føre til personskade og materiell skade.
- ◆ Prøv aldri å lade ikke-oppladbare batterier.

- ◆ Skift ut defekte ledninger umiddelbart.
- ◆ Ikke utsett laderen for vann.
- ◆ Ikke åpne laderen.
- ◆ Ikke stikk gjenstander eller fingre inn i laderen.



Laderen er bare beregnet for innendørs bruk.



Les denne håndboken før bruk.

Elektrisk sikkerhet



Denne laderen er dobbeltisolert. Jording er derfor ikke nødvendig. Kontroller alltid at nettspenningen er i overensstemmelse med spenningen på typeskiltet. Ikke skift ut laderen med et vanlig nettstøpsel.

- ◆ Hvis strømledningen blir skadet, må den skiftes av produsenten eller et autorisert Stanley Fat Max-servicesenter så man unngår farlige situasjoner.

Funksjoner

Dette apparatet har noen av eller alle funksjonene nedenfor.

1. Utløserbryter
2. Fremover/bakover knapp
3. Chuck-krage
4. Hurtiglås-chuck
5. Batteri
6. Festeknapp for batteriet
7. LED-arbeidslampe
8. Bitholder (tilbehør medfølger ikke)

Montering

Advarsel! Fjern batteriet fra verktøyet før montering.

Sette inn og ta ut batteriet (figur B)

- ◆ Når du skal sette inn batteriet (5), holder du det på linje med kontakten på verktøyet. Skyv batteriet inn i kontakten til det klikker på plass.
- ◆ Når du skal ta ut batteriet, trykker du på utløserknappene (6) og trekker samtidig batteriet ut av kontakten.

Sette på og ta av skrutrekkerbit eller pipe (fig. C1, C2)

Dette verktøyet er utstyrt med en hurtigutløsningschuck, så bits enkelt kan byttes.

Advarsel! Pass på at verktøyet er låst for å hindre utilsikket aktivering av bryteren før du setter på eller tar av tilbehøret.

- ◆ Lås verktøyet ved å sette glidebryteren for fremover/bakover (2) i midtstillingen.
- ◆ Sett bitskafet (13) inn i chucken (4).

Merk! Trekk i og hold chuckkragen (3) bort fra fronten av verktøyet (Fig. C2).

Advarsel! Bruk bare piper for slagbruk. Sokler som ikke er ment for slagbruk kan knekke og føre til farlige situasjoner. Inspiser sokkelen før bruk for å se at den ikke har sprekker. Bruk bare tilbehør for slagbruk.

Bruk

Advarsel! La verktøyet arbeide i sin egen hastighet. Må ikke overbelastes.

Lading av batteriet (Fig. A)

Batteriet må lades før første gang det brukes, og hver gang det ikke lenger gir nok strøm til oppgaver som tidligere ble utført uten problemer. Batteriet kan bli varmt under lading. Dette er normalt og innebærer ikke feil.

Advarsel! Ikke lad batteriet ved omgivelsestemperaturer under 10 °C eller over 40 °C. Anbefalt ladetemperatur er ca. 24 °C. Merk: Laderen vil ikke lade et batteri hvis celleteperaturen er under ca. 10 °C eller over 40 °C.

Du bør la batteriet stå i laderen. Laderen begynner å lade automatisk når celleteperaturen blir høyere eller lavere.

- ◆ Når du skal lade batteriet (5), setter du det inn i laderen (10). Batteriet kan bare settes i laderen på én måte. Ikke bruk kraft. Pass på at batteriet sitter helt inne i laderen.
- ◆ Sett i laderen, og slå på ved strømmen.

Ladningsindikatoren (11) blinker grønt kontinuerlig (langsomt). Ladingen er fullført når ladeindikatoren (11) lyser grønt kontinuerlig. Laderen og batteriet kan være tilkoblet så lenge du vil mens LED-en lyser. Lampen begynner å blinke grønt (lader) når laderen av og til «fyller på» batteriladingen. Ladningsindikatoren (11) lyser så lenge batteriet er tilkoblet laderen, og denne er koblet til nettstrømmen.

- ◆ Lad utladede batterier innen 1 uke. Batterienes levetid blir mye kortere hvis de oppbevares utladet.

La batteriet være i laderen

Laderen og batteripakken kan forbli tilkoblet med lysende LED-lys i ubegrenset tid. Laderen holder batteripakken klar og fulladet.

Laderdiagnose

Hvis laderen oppdager et svakt eller skadet batteri, blinker ladningsindikatoren (11) rødt med rask takt. Fortsett som følger:

- ◆ Sett inn batteriet (5) på nytt.
- ◆ Hvis ladeindikatoren fortsetter å blinke rødt i rask takt, må du bruke et annet batteri for å finne ut om ladeprosessen fungerer som den skal.
- ◆ Hvis den nye batteripakken lades korrekt, er den opprinnelige batteripakken defekt og bør leveres til et service-senter for resirkulering.

- ◆ Hvis det nye batteriet gir samme indikasjon som det opprinnelige batteriet, bringer du laderen til et autorisert servicesenter.

Merk: Det kan ta så mye som 60 minutter å avgjøre om batteriet er defekt. Hvis batteriet er for varmt eller for kaldt, blinker LED-lampen rødt vekslende raskt og langsomt, ett blink ved hver hastighet med gjentagelse.

Velg rotasjonsretning (Fig. D)

Til stramming bruker du rotasjon fremover (med klokken). Til løsløsning bruker du rotasjon bakover (mot klokken).

- ◆ år du skal velge rotasjon fremover, skyver du glidebryteren (2) for fremover/bakover til venstre.
- ◆ Når du skal velge rotasjon bakover, skyver du glidebryteren til høyre.
- ◆ Når du skal låse verktøyet, setter du glidebryteren for fremover/bakover i midtstillingen.

Bruk som skrutrekker / feste muttere

- ◆ Velg passende bit/pipe for skruen eller mutteren som skal skrues.
- ◆ Velg rotasjon fremover eller bakover som beskrevet over.
- ◆ Hold verktøyet på linje med festeordningen.
- ◆ Trykk på avtrekkeren (1).
- ◆ Kontroller momentet med en momentnøkkel etter at du har skrudd til.

LED-arbeidslampe

LED-arbeidslampen (7) aktiveres automatisk når utløseren trykkes inn. LED-arbeidslampen lyser når utløseren er delvis trykket inn, før enheten begynner å gå.

Råd for optimal bruk

Bruk som skrutrekker

- ◆ Bruk alltid riktig type og størrelse av skrutrekkerbit.
- ◆ Hvis skruer er vanskelige å stramme, prøver du å bruke litt flytende vaskemiddel eller såpe som smøremiddel.
- ◆ Hold alltid verktøyet og skrutrekkerbiten i rett linje med skruen

Vedlikehold

Stanley Fat Max-verktøyet ditt er konstruert for å være i drift over lengre tid med et minimum av vedlikehold. For at den skal fungere tilfredsstillende over tid, er det viktig å sørge for riktig stell av verktøyet og regelmessig renhold.

Laderen krever ikke annet vedlikehold enn regelmessig rengjøring.

Advarsel! Før du utfører vedlikehold på verktøyet, må du fjerne batteriet fra verktøyet. Trekk ut laderen fra stikkontaktene før du rengjør den.

- ◆ Rengjør ventilasjonsåpningene i verktøyet og laderen jevnlig med en myk børste eller tørr klut.

- ◆ Rengjør motorhuset regelmessig med en fuktig klut. Ikke bruk slipende eller løsemiddelbaserte rengjøringsmidler.
- ◆ Åpne chucken regelmessig, og bank på den for å fjerne eventuelt støv fra innsiden.

Miljøvern



Separat avfallshåndtering. Produkter og batterier merket med dette symbolet skal ikke kastes i vanlig husholdningsavfall.

Produkter og batterier inneholder materialer som kan gjenbrukes eller gjenvinnes for å redusere behovet for nye råmaterialer.

Vennligst lever elektrisk utstyr og batterier til gjenbruk i henhold til lokale regler. Mer informasjon finner du på www.2helpU.com

Tekniske data

		FMC641
Spenning	V_{DC}	18V
Ubelastet hastighet	Min^{-1}	0-2800
Slag	BPM	0-3100
Maksimum dreiemoment (PTI metoden)	Nm	165
Chuck kapasitet	mm	6 (sekskant)
Vekt	kg	1,5

Lader		90599846-02	90636454
Inngangsspenning	V_{AC}	230	230
Utgangsspenning	V_{DC}	18	18
Strøm	mA	1000	1000
Omtrentlig ladetid	min	80-240	80-240

Batteri		FMC684L	FMC685L	FMC687L	FMC688L
Spenning	V_{AC}	18	18	18	18
Kapasitet	Ah	1,3	1,5	2,0	4,0
Type		Li-Ion	Li-Ion	Li-Ion	Li-Ion

Lydtryknivå i henhold til EN 60745:

Lydtrykk (L_{PA}) 93,0 dB(A), usikkerhet (K) 3 dB(A)

Lydeffekt (L_{WA}) 104 dB(A), usikkerhet (K) 3 dB(A)

Totale vibrasjonsverdier (vektorsum fra tre retninger) bestemt i samsvar med EN 60745:

Boring i metall ($a_{h,D}$) 14,3 m/s^2 , usikkerhet (K) 1,5 m/s^2

EU-samsvarserklæring

MASKINERIDIREKTIV



Trådløs slagtrekker - FMC641

Stanley Europe erklærer at disse produktene som er beskrevet under "Tekniske data", er i samsvar med:

2006/42/EC, EN60745-1:2009+A11:2010 EN60745-2-2:2010

Disse produktene er også i samsvar med direktivet 2004/108/EU (til 19/04/2016) 2014/30/EU (from 20/04/2016) og 2011/65/EU.

Hvis du ønsker mer informasjon, kontakt Stanley Fat Max på følgende adresse, eller se på baksiden av bruksanvisningen.

Undertegnede er ansvarlig for sammenstillingen av den tekniske filen og fremsetter denne erklæringen på vegne av Stanley Fat Max.

R. Laverick
Director of Engineering
Stanley Fat Max Europe, 210 Bath Road, Slough,
Berkshire, SL1 3YD
Storbritannia
21.04.2017

Garanti

Stanley Fat Max er trygg på kvaliteten av produktene sine og tilbyr en 12 måneders garanti fra kjøpsdato. Denne garantierklæringen kommer i tillegg til dine lovbestemte rettigheter og er ikke i konflikt med disse. Garantien er gyldig innen områdene tilhørende medlemslandene i den Europeiske Union (EU) og det Europeiske Frihandelsområdet (EFTA).

For å ta garantien i bruk må kravet være i samsvar med kjøpsbetingelsene fra Stanley Fat Max og du må vise kjøpskvittering til forhandleren eller til et autorisert serviceverksted. Betingelsene for Stanley Fat Max 1 års garanti og adressen til din nærmeste autoriserte serviceverksted kan du finne på internett under www.2helpU.com, eller ved å kontakte ditt lokale Stanley Fat Max kontor, adressen er angitt i denne bruksanvisningen.

Besøk vår webside www.stanley.eu/3 for å registrere ditt nye Stanley Fat Max produkt og for å holde deg oppdatert om nye produkter og spesialtilbud.

Tilsigtet brug

Din Stanley Fat Max FMC641 slagskrueogle er desig-net til iskruning af skruer og tilspænding af møtrikker. Dette apparat er beregnet til erhvervsmæssige brugere og private ikke-erhvervsmæssige brugere.

Sikkerhedsinstruktioner

Generelle sikkerhedsadvarsler vedrørende elværktøj



Advarsel! Læs alle sikkerhedsadvarsler og alle instruktioner. Hvis nedenstående advarsler og instruktioner ikke følges, er der risiko for elektrisk stød, brand og/eller alvorlige personskader.

Gem alle advarsler og anvisninger til senere brug. Begrebet "elværktøj", der benyttes i nedenstående advarsler, henviser til netdrevet elværktøj (med netledning) eller batteridrevet elværktøj (uden netledning).

1. Sikkerhed i arbejdsområdet

- Hold arbejdsområdet rent og ordentligt oplyst.** Rodede eller mørke områder giver anledning til ulykker.
- Brug ikke elværktøj i eksplosive omgivelser, f.eks. hvor der er brændbare væsker, gasser eller støv.** Elværktøj danner gnister, der kan antænde støv eller dampe.
- Hold børn og omkringstående på afstand, når der arbejdes med elværktøj.** Distractioner kan medføre, at du mister kontrollen.

2. Elektricitet og sikkerhed

- Elværktøjets stik skal passe til kontakten. Stikket må aldrig modificeres på nogen måde. Undlad at bruge adapterstik sammen med jordforbundet elektrisk værktøj.** Umodificerede stik og dertil passende stikkontakter reducerer risikoen for elektrisk stød.
- Undgå kropskontakt med jordforbundne overflader som f.eks. rør, radiatorer, komfurer og køleskabe.** Der er øget risiko for elektrisk stød, hvis din krop er jordforbundet.
- Udsæt ikke elværktøj for regn, og brug det ikke, hvor omgivelserne er våde.** Hvis der trænger vand ind i et elektrisk værktøj, øges risikoen for elektrisk stød.
- Pas på, at ledningen ikke beskadiges. Brug aldrig ledningen til at bære, trække værktøjet eller trække det ud af stikkontakten. Hold ledningen borte fra varme, olie, skarpe kanter og bevægelige dele.** Beskadigede eller sammenfiltrede ledninger øger risikoen for elektrisk stød.
- Hvis elværktøj benyttes i det fri, skal der benyttes en forlængerledning, som er godkendt til udendørs brug.**

- Brug af en ledning, der er egnet til udendørs brug, reducerer risikoen for elektrisk stød.
- f. **Brug en strømkilde med fejlstrømsrelæ, hvis det er nødvendigt at anvende elværktøj på fugtige steder.** Ved at benytte en fejlstrømsafbryder reduceres risikoen for elektrisk stød.
3. **Personlig sikkerhed**
- a. **Vær opmærksom, hold øje med, hvad du laver, og brug elværktøjet fornuftigt. Betjen ikke værktøjet, hvis du er træt, påvirket af narkotika, alkohol eller medicin.** Et øjeblikks uopmærksomhed under anvendelse af et elektrisk værktøj kan forårsage alvorlig personskade.
- b. **Brug personligt beskyttelsesudstyr. Bær altid beskyttelsesbriller.** Sikkerhedsudstyr, såsom støvmaske, skridsikre sikkerhedssko, sikkerhedshjelm eller høreværn, brugt når omstændighederne foreskriver det, reducerer omfanget af personskader.
- c. **Træf forholdsregler, så utilsigtet start ikke er mulig. Kontroller, at afbryderkontakten står på slukket, inden værktøjet tilsluttes strømkilden og/eller batteriet, samles op eller bæres.** Når elektrisk værktøj bæres med fingeren på kontakten eller tilsluttes, når kontakten er tændt, giver det anledning til ulykker.
- d. **Fjern indstillingsværktøj eller skruenøgle, inden elværktøjet startes.** En skruenøgle eller anden nøgle, der bliver siddende på en roterende del af elektrisk værktøj, kan give anledning til personskade
- e. **Stræk dig ikke for langt. Hold hele tiden en god fodstilling og balance.** Dette giver bedre kontrol af det elektriske værktøj, når uventede situationer opstår.
- f. **Brug egnet arbejdstøj. Bær ikke løst tøj eller smykker. Hold dit hår, tøj og handsker væk fra bevægelige dele.** Løstsiddende tøj, smykker eller langt hår kan blive fanget i bevægelige dele.
- g. **Hvis der kan monteres støvudsugnings- og opsamlingsudstyr, skal dette tilsluttes og benyttes korrekt.** Anvendelse af støvopsamlingsudstyr kan begrænse farer forårsaget af støv.
4. **Brug og vedligeholdelse af elværktøj**
- a. **Overbelast ikke elværktøjet. Brug det værktøj, der er bedst egnet til det arbejde, der skal udføres.** Værktøjet vil klare opgaven bedre og mere sikkert med den ydelse, som det er beregnet til.
- b. **Brug ikke elværktøjet, hvis afbryderkontakten er defekt.** Alt elektrisk værktøj, der ikke kan kontrolleres med kontakten, er farligt og skal repareres.
- c. **Træk stikket ud af stikkontakten og/eller batteriet inden indstilling, tilbehørsudskiftning eller opbevaring af elværktøjet.** Sådanne forebyggende sikkerhedsforanstaltninger mindsker risikoen for, at værktøjet startes utilsigtet.
- d. **Opbevar ubenyttet elværktøj uden for børns rækkevidde. Lad aldrig personer, der ikke er fortrolige med elværktøjet, eller som ikke har læst denne vejledning, benytte maskinen.** El-værktøj er farligt i hænderne på personer, som ikke er instrueret i brugen deraf.
- e. **Elværktøj skal vedligeholdes. Kontroller, om bevægelige dele er skæve og ikke sidder fast, og om delene er brækket eller beskadiget, så elværktøjets funktion påvirkes.** Hvis det elektriske værktøj er beskadiget, skal det repareres før brug. Mange ulykker er forårsaget af dårligt vedligeholdt værktøj.
- f. **Hold skæreværktøj skarpt og rent.** Ordentligt vedligeholdt skæreværktøj med skarpe skærekanter har mindre tilbøjelighed til at binde og er lettere at styre.
- g. **Brug elværktøjet, tilbehøret, indsatsværktøj osv. i overensstemmelse med disse instruktioner under hensyntagen til arbejdsforholdene og arbejdet, der skal udføres med værktøjet.** Brug af elektrisk værktøj til andre opgaver end dem, det er beregnet til, kan resultere i en farlig situation.
5. **Brug og pleje af batteriværktøj**
- a. **Genoplad kun med den lader, som producenten har angivet.** En oplader, der passer til en type batteripakke, kan udgøre en risiko for brand, når den bruges til en anden type.
- b. **Elværktøj må kun bruges med batteripakker, der er beregnet hertil.** Brugen af andre batteripakker kan medføre personskade og brand.
- c. **Når batteripakken ikke er i brug, skal den holdes på afstand af andre metalgenstande, f.eks. papirclips, mønter, nøgler, søm, skruer og andre små metalgenstande, som kan skabe forbindelse mellem de to poler.** Kortslutning af batteriet kan forårsage forbrændinger eller brand.
- d. **Under grove forhold kan væske sive ud fra batteriet; undgå kontakt. Hvis der opstår kontakt ved et uheld, skyl med vand. Hvis væske kommer ind i øjnene, søg omgående lægehjælp.** Væske, der siver ud fra batteriet, kan fremkalde irritationer eller forbrændinger.
6. **Service**
- a. **Lad kun kvalificerede fagfolk reparere elværktøjet og benyt kun originale reservedele.** Derved sikres det, at værktøjets driftssikkerhed opretholdes.
- Yderligere sikkerhedsadvarsler for elværktøj**



Advarsel! Yderligere sikkerhedsadvarsler for slagskruenøgler

- ◆ **Bær høreværn ved slagboring.** Udsættelse for støj kan medføre høretab.
- ◆ **Brug de ekstra håndtag, der følger med værktøjet.** Tab af kontrol kan medføre personskade.
- ◆ **Hold i elværktøjets isolerede gribeplader, hvis der er risiko for at beslaget kommer i kontakt med skjulte ledninger.**
Hvis beslag kommer i kontakt med en strømførende ledning, bliver elværktøjets blotlagte dele strømførende, så brugeren får stød.
- ◆ **Brug skruetvinger eller lignende til at holde og støtte materialet på et stabilt underlag.** Hvis du holder fast i arbejdsområdet med din hånd eller krop, vil det være ustabil, og det kan medføre, at du mister kontrollen over det.
- ◆ Den tilsigtede anvendelse er beskrevet i denne betjeningsvejledning. Brug af ekstraudstyr eller tilbehør eller udførelse af andre opgaver med dette værktøj end de, der anbefales i denne vejledning, kan medføre risiko for personskade og/eller materiel skade.



Advarsel! Slagskruenøgler er ikke momentnøgler. Brug ikke dette værktøj til tilspænding af beslag til bestemte drejningsmomenter. Der bør anvendes en selvstændig, kalibreret drejningsmomentmåler som f.eks. en momentnøgle, hvis for løse eller stramme beslag kan medføre fejl i samlingen.

Andres sikkerhed

- ◆ Dette værktøj må ikke bruges af personer (herunder børn) med nedsatte fysiske, sensoriske eller mentale evner eller manglende erfaring og viden, medmindre det sker under overvågning, eller der gives instruktion i brugen af værktøjet af en person, der er ansvarlig for deres sikkerhed.
- ◆ Børn skal overvåges for at sikre, at de ikke leger med udstyret.

Restrisici

Der kan opstå yderligere restrisici under brugen af værktøjet, som ikke kan medtages i vedlagte sikkerhedsadvarsler. Disse risici kan opstå pga. forkert anvendelse, langvarig brug etc. Selv ved overholdelse af relevante sikkerhedsforskrifter og anvendelse af sikkerhedsudstyr kan visse restrisici ikke undgås. Disse omfatter:

- ◆ Tilskadekomst forårsaget af berøring af roterende/bevægelige dele.
- ◆ Tilskadekomst forårsaget af udskiftning af dele, klinger eller tilbehør.
- ◆ Tilskadekomst forårsaget af langvarig brug af et værktøj. Husk at holde pause jævnlige ved brug af et værktøj i længere tid.
- ◆ Hørenedsættelse.

- ◆ Sundhedsrisici forårsaget af indånding af støv, der genereres ved brug af værktøjet (eksempel: Arbejde med træ, især, eg, bøg og MDF.)

Vibration

De angivne værdier for udsendelse af vibration anført under de tekniske data og overensstemmelseserklæringen er målt i henhold til standardtestmetoden i EN 60745 og kan bruges til at sammenligne ét værktøj med et andet. Den angivne vibrationsemissionsværdi kan også bruges som en foreløbig vurdering af eksponeringen.

Advarsel! Værdien for udsendelse af vibration ved faktisk brug af elværktøjet kan afvige fra den angivne værdi afhængig af måden, værktøjet anvendes på. Vibrationsniveauet kan overstige det angivne niveau.

I vurderingen af eksponeringen for vibration med henblik på fastsættelse af sikkerhedsforanstaltninger som krævet i 2002/44/EF til beskyttelse af personer, der jævnligt anvender elværktøj i deres arbejde, skal der tages hensyn til de faktiske betingelser under brugen, og måden værktøjet bruges på, herunder alle arbejdsfaserens elementer, f.eks. perioder, hvor værktøjet er slukket, og hvor det kører i tomgang, tillige med startperioderne.

Mærkatet på værktøjet

Værktøjet er forsynet med følgende advarselssymboler samt datokoden:



Advarsel! Brugeren skal læse brugervejledningen for at reducere risikoen for tilskadekomst.

Yderligere sikkerhedsvejledninger for batterier og ladere (følger ikke med værktøjet)

Batterier

- ◆ Forsøg aldrig at åbne den af en eller anden grund.
- ◆ Batteriet må ikke udsættes for vand.
- ◆ Må ikke opbevares på steder, hvor temperaturen kan overstige 40 °C.
- ◆ Oplad kun ved omgivelsestemperaturer på mellem 10 °C og 40 °C.
- ◆ Oplad kun ved hjælp af den medfølgende lader.
- ◆ Følg vejledningen i afsnittet "Miljøbeskyttelse" ved bortskaffelse af batterier".



Forsøg ikke at oplade beskadigede batterier.

Opladere

- ◆ Brug kun din Stanley Fat Max-lader til at oplade batteripakken i det værktøj, som den blev leveret sammen med.

Andre batterier kan eksplodere og forårsage personskader og materielle skader.

- ◆ Forsøg aldrig at oplade ikke-genopladelige batterier.
- ◆ Udskift straks defekte ledninger.
- ◆ Opladeren må ikke udsættes for vand.
- ◆ Opladeren må ikke åbnes.
- ◆ Opladeren må ikke undersøges.



Opladeren er kun beregnet til indendørs brug.



Læs brugervejledningen, før værktøjet tages i brug.

Elektricitet og sikkerhed



Laderen er dobbelt isoleret. Derfor er en jordledning ikke nødvendig. Kontroller altid, at netspændingen svarer til spændingen på typeskiltet. Forsøg aldrig at erstatte laderenheden med et almindeligt netstik.

- ◆ Hvis netledningen beskadiges, skal den udskiftes af producenten eller et autoriseret Stanley Fat Max-værksted, så farlige situationer undgås.

Funktioner

Dette apparat leveres med nogle af eller alle de følgende komponenter.

1. Startknap
2. Forlæns-/baglænsknap
3. Patronkrave
4. Sekskantet hurtigtudløsende patron
5. Batteri
6. Batteriets udløsningsknap
7. LED arbejdslys
8. Borspidsholder (tilbehør medfølger ikke)

Samling

Advarsel! Tag batteriet ud af værktøjet, inden det samles.

Montering og afmontering af batteriet (fig. B)

- ◆ Anbring batteriet (5) ud for værktøjets fatning for at isætte batteriet. Lad batteriet glide ind i fatningen, og skub, indtil batteriet går på plads.
- ◆ Tryk på udløserknapperne (6), og træk samtidigt batteriet ud af fatningen for at tage batteriet ud.

Montering og afmontering af et skruetrækkerbor eller holder (fig. C1, C2)

Dette værktøj har en patron med hurtigtudløser, så det er lettere at udskifte bor.

Advarsel! Sørg for at værktøjet er låst, så utilsigtet aktivering af startknappen inden montering eller afmontering af tilbehør forhindres.

- ◆ Lås værktøjet ved at sætte skyderen til skift af retning (2) i midterposition.
- ◆ Sæt borets aksel (13) i patronen (4) (fig. C1).

Bemærk! For at fjerne boreholderen, træk og hold patronkraven (3) i retning væk fra værktøjets forside (fig. C2).

Advarsel! Brug kun effektvurderet holdere. Ikke slagborholdere kan gå i stykker og forårsage en farlig situation. Kontroller borholderen før brug for at sikre, at der ikke findes nogen revner. Brug kun effektvurderet tilbehør.

Anvendelse

Advarsel! Lad værktøjet arbejde i dets eget tempo. Det må ikke overbelastes.

Opladning af batteriet (fig. A)

Batteriet skal oplades inden ibrugtagningen, og når det ikke leverer strøm nok til opgaver, der tidligere kunne udføres ubesværet. Batteriet kan blive varmt under opladningen. Det er normalt og ikke tegn på problemer.

Advarsel! Oplad ikke batteriet ved omgivende temperaturer på under 10 °C eller over 40 °C. Den anbefalede opladningstemperatur er ca. 24 °C.

Bemærk: Opladeren oplader ikke et batteri, hvis dets temperatur er under ca. 10° C eller over 40° C.

Batteriet bør blive siddende i laderen, som automatisk begynder opladningen, når batteriet opvarmes/afkøles.

- ◆ Sæt batteriet (5) i opladeren (10) for at lade det op. Batteriet passer kun i opladeren på én måde. Tving dem ikke. Kontroller, at batteriet er sat helt i opladeren.
- ◆ Tilslut opladeren og tænd på stikkontakten.

Ladeindikatoren (11) blinker konstant grønt (langsomt). Ladningen er afsluttet, når ladeindikatoren (11) lyser konstant grønt. Du kan lade opladeren og batteriet være tilsluttet i længere tid med tændt lysdiode. LED'en begynder at blinke grønt (opladning), når laderen en gang imellem "efterfylder" batteriet. Ladeindikatoren (11) lyser, så længe batteriet er tilsluttet til laderen, der er sat i stikkontakten.

- ◆ Afladede batterier bør oplades inden for 1 uge. Batteriets levetid reduceres kraftigt, hvis batteriet opbevares i afladet tilstand

Lad batteriet blive siddende i opladeren

Du kan lade batteripakken sidde i laderen med tændt lysdiode, så længe det ønskes. Opladeren holder batteripakken klar og fuldt opladet.

Fejlfinding af opladeren

Ladeindikatoren (11) blinker hurtigt rødt, hvis laderen registrerer et svagt eller beskadiget batteri. Forsæt som følger:

- ◆ Sæt batteriet (5) i igen.

- ◆ Hvis ladeindikatoren fortsætter med at blinke hurtigt rødt, skal du bruge et andet batteri til at kontrollere, om opladningen sker korrekt.
- ◆ Hvis det andet batteri lades korrekt, er det oprindelige batteri defekt og skal indleveres til genbrug på et servicecenter.
- ◆ Hvis det andet batteri lades korrekt, er det oprindelige batteri defekt og skal indleveres til genbrug på et servicecenter.

Bemærk: Det kan tage op til 60 minutter at konstatere, at batteriet er defekt. Hvis batteriet er for varmt eller koldt, blinker lysdioden rødt skiftevis hurtigt og langsomt med et blink ved hver frekvens, hvorefter sekvensen gentages.

Valg af omløbsretning (fig. D)

Brug forlæns omløb (med uret) for at spænde. Brug baglæns omløb (mod uret) for at løsne.

- ◆ Tryk skyderen til skift af retning (2) mod venstre for at vælge forlæns omløb.
- ◆ Tryk skyderen til skift af retning mod højre for at vælge baglæns omløb.
- ◆ Lås værktøjet ved at sætte skyderen til skift af retning i midterposition.

Iskruning / stramning af møtrikker

- ◆ Vælg passende bor / holder til skruen eller møtrikken, der skal isættes.
- ◆ Vælg forlæns eller baglæns omløb som beskrevet ovenfor.
- ◆ Hold værktøjet på linje med beslaget.
- ◆ Tryk på udløseren (1)
- ◆ Efter stramning kontroller spændingsmomentet med en momentnøgle.

LED-arbejdslys

LED-arbejdslyset (7) aktiveres automatisk, når der trykkes på kontakten. LED arbejdslyset lyser, når kontakten trykkes halvt ned, før apparatet begynder at køre.

Gode råd til optimal brug

Iskruning

- ◆ Brug altid den rette type og størrelse skruetrækker.
- ◆ Prøv at smøre lidt opvaskemiddel eller sæbe på skruen, hvis den er vanskelig at spænde.
- ◆ Hold altid værktøjet og skruetrækkeren i lige linje med skruen

Vedligehold

Dit Stanley Fat Max-værktøj er beregnet til brug gennem lang tid med et minimum af vedligeholdelse. Vedvarende tilfredsstillende funktion er afhængig af, om værktøjet plejes korrekt og rengøres regelmæssigt.

Laderen kræver ingen vedligeholdelse, men skal rengøres jævnligt.

Advarsel! Tag batteriet ud af værktøjet, inden der foretages vedligeholdelse på værktøjet. Træk laderen ud af stikkontakten, før den rengøres.

- ◆ Rens jævnligt værktøjets og laderens ventilationshuller med en blød børste eller en tør klud.
- ◆ Rengør med jævne mellemrum motorhuset med en fugtig klud.
Der må ikke bruges skuremidler eller opløsningsmidler.
- ◆ Åbn jævnligt patronen, og bank på den for at fjerne støv indvendigt.

Miljøbeskyttelse



Særskilt bortskaffelse. Produkter og batterier mærket med dette symbol må ikke bortskaffes sammen med normalt husholdningsaffald.

Produkter og batterier indeholder materialer, der kan blive gendannet eller genanvendt og således reducere efterspørgslen efter råvarer.

Genbrug venligst elektriske produkter og batterier i henhold til lokale regulativer. Yderligere informationer findes på www.2helpU.com

Tekniske data

		FMC641
Spænding	V_{DC}	18V
Tomgangshastighed	Min^{-1}	0-2800
Slag	SPM	0-3100
Maks. moment (PTI metode)	Nm	165
Patronkapacitet	mm	6 (sekskantet)
Vægt	kg	1.5

Oplader		90599846-02	90636454
Indgangsspænding	V_{AC}	230	230
Udgangsspænding	V_{DC}	18	18
Strømstyrke	mA	1000	1000
Ladetid ca.	Min.	80-240	80-240

Batteri		FMC684L	FMC685L	FMC687L	FMC688L
Spænding	V _{AC}	18	18	18	18
Kapacitet	Ah	1,3	1,5	2,0	4,0
Type		Li-ion	Li-ion	Li-ion	Li-ion

Lydtrykniveau i henhold til EN 60745:

Lydtryk (L_{pA}) 93,0 dB(A), usikkerhed (K) 3 dB(A)

Lydeffekt (L_{WA}) 104 dB(A), usikkerhed (K) 3 dB(A)

Samlede værdier for vibration (triaksial vektorsum) i henhold til EN 60745:

Boring i metal ($a_{h,D}$) 14,3 m/s², usikkerhed (K) 1,5 m/s²

EF-overensstemmelseserklæring

MASKINDIREKTIV



Trådløs slagskruenøgle - FMC641

Stanley Fat Max erklærer, at produkterne beskrevet under "Tekniske data" er i overensstemmelse med: 2006/42/EC, EN60745-1:2009+A11:2010 EN60745-2-2:2010

Disse produkter er endvidere i overensstemmelse med direktiv 2004/108/EF (indtil 19/04/2016) 2014/30/EU (fra 20/04/2016) og 2011/65/EU.

Kontakt Stanley Fat Max på nedenstående adresse, eller se vejledningens bagside for at få flere oplysninger.

Undertegnede er ansvarlig for kompilering af den tekniske fil og udsteder denne erklæring på vegne af Stanley Fat Max.

R. Laverick
Direktør for konstruktioner
Stanley Fat Max Europe, 210 Bath Road, Slough,
Berkshire, SL1 3YD
Storbritannien
21/04/2017

Garanti

Stanley Fat Max er sikker på kvaliteten af sine produkter og giver forbrugerne en garanti på 12 måneder fra købsdatoen. Garantien er et tillæg til forbrugerens lovsikrede rettigheder og påvirker ikke disse. Garantien er gyldig inden for medlemsstaterne af Den Europæiske Union og Det Europæiske Frihandelsområde.

Når du gør krav på garantien, skal kravet være i overensstemmelse med Stanley Fat Max vilkår og betingelser, og du skal indsende dokumentation for købet til sælgeren eller til en autoriseret reparatør. Vilkår og betingelser for Stanley Fat Max 1 års garanti og placeringen af dit nærmeste autoriserede serviceværksted kan fås på internettet på www.2helpU.com, eller ved at kontakte dit lokale Stanley Fat Max kontor på den adresse, der er angivet i denne vejledning.

Besøg venligst vores websted www.stanley.eu/3 for at registrere dit nye Stanley Fat Max produkt og modtage opdateringer om nye produkter og specielle tilbud.

Käyttötarkoitus

Stanley Fat Max FMC641 -iskuväännin on suunniteltu ruuvaamiseen ja muttereiden asettamiseen. Laitte on tarkoitettu sekä ammatti- että yksityiskäyttöön.

Turvallisuusohjeet

Sähkötyökalujen yleiset turvavaroitukset



Varoitukset! Lue kaikki turvallisuusvaroitukset ja ohjeet. Alla olevien varoitusten ja ohjeiden noudattamisen laiminlyönti saattaa johtaa sähköiskuihin, tulipaloon ja/tai vakavaan loukkaantumiseen.

Säästä kaikki varoitukset ja ohjeet tulevaa käyttöä varten. Ohjeissa käytetty käsite "sähkötyökalu" tarkoittaa verkkokäyttöisiä sähkötyökaluja (verkkojohdolla varustettuja) ja akkukäyttöisiä sähkötyökaluja (ilman verkkojohtoa).

1. Työalueen turvallisuus

- Pidä työalue puhtaana ja hyvin valaistuna.**
Onnettomuuksia sattuu herkemmin epäsiistissä tai huonosti valaistussa ympäristössä.
- Älä käytä sähkötyökalua räjähdysalttiissa ympäristössä, jossa on syttyvää nestettä, kaasua tai pölyä.** Sähkötyökalujen aiheuttamat kipinät voivat sytyttää pölyn tai kaasut.
- Pidä lapset ja sivulliset loitolla sähkötyökalua käyttäessäsi.** Keskittymiskyvyn herpaantuminen voi aiheuttaa hallinnan menettämisen.

2. Sähköturvallisuus

- Sähkötyökalun pistokkeen on sovittava pistorasiaan. Älä koskaan tee pistokkeeseen mitään muutoksia. Älä yhdistä maadoitettua sähkötyökalua jatkojohtoon.** Sähköiskun vaara vähenee, jos pistokkeisiin ei tehdä muutoksia ja ne yhdistetään vain niille tarkoitettuihin pistorasioihin.
- Vältä koskettamasta maadoitettuja pintoja, kuten putkia, lämpöpattereita, liesiä tai jääkaappeja.** Voit saada sähköiskun, jos kehosi on maadoitettu.
- Älä altista sähkötyökalua sateelle tai kosteudelle.** Sähkötyökaluun menevä vesi lisää sähköiskun vaaraa.
- Älä käsittele virtajohtoa kovakouraisesti. Älä kanna työkaluja sähköjohdosta tai vedä pistoketta pistorasiasta sähköjohdon avulla. Pidä sähköjohto kaukana kuumuudesta, öljystä, terävistä reunoista tai liikkuvista osista.** Vaurioituneet tai soikeutuneet johdot lisäävät sähköiskun vaaraa.
- Käyttäessäsi sähkötyökalua ulkona käytä ainoastaan ulkokäyttöön soveltuvaa jatkojohtoa.** Ulkokäyttöön tarkoitettu sähköjohdon käyttäminen vähentää sähköiskun vaaraa.

- Jos sähkötyökalua on välttämättä käytettävä koosteassa paikassa, käytä vikavirtasuojalla (RCD) suojattua virtalähdettä.**
Tämä vähentää sähköiskun vaaraa.

3. Henkilöturvallisuus

- Ole valpas, keskity työhön ja noudata tervettä järkeä sähkötyökalun käytössä. Älä käytä tätä työkalua ollessasi väsynyt tai alkoholin, huumeiden tai lääkkeiden vaikutuksen alaisena.** Keskittymisen herpaantuminen hetkeksikin sähkötyökalua käytettäessä voi aiheuttaa vakavan henkilövahingon.
- Käytä henkilökohtaisia suojavarusteita. Käytä aina suojalaseja.** Hengityssuojaimen, liukumattomien turvajalkineiden, kypärän ja kuulosuojaimen käyttäminen vähentää henkilövahinkojen vaaraa.
- Vältä tahatonta käynnistämistä. Varmista, että kytkin on OFF-asennossa, ennen kuin liität laitteen virtalähteeseen ja/tai akkuun, nostat laitteen tai kannat sitä.** Sähkötyökalun kantaminen sormi virtakytkimellä lisää onnettomuusvaaraa.
- Irrota mahdollinen säätö- tai kiintoavain ennen kuin käynnistät sähkötyökalun.** Sähkötyökalun pyöriivään osaan kiinni jäänyt avain voi johtaa loukkaantumiseen.
- Älä kurkota. Huolehdi siitä, että sinulla on koko ajan tukeva jalansija ja hyvä tasapaino.** Näin voit hallita sähkötyökalua paremmin odottamattomissa tilanteissa.
- Käytä tarkoitukseen soveltuvia vaatteita. Älä käytä löysiä vaatteita tai koruja. Pidä hiukset, vaatteet ja kädet loitolla liikkuvista osista.** Löysät vaatteet, korut tai pitkät hiukset voivat tarttua liikkuviin osiin.
- Jos työkalun voi liittää polynimuriiniin, tarkista, että liitos on tehty asianmukaisesti ja että laitteita käytetään oikealla tavalla.** Pölyn ottaminen talteen voi vähentää pölyn aiheuttamia vaaroja.

4. Sähkötyökalujen käyttö ja hoito

- Älä yliuormita sähkötyökalua. Valitse käyttötarkoituksen kannalta oikea sähkötyökalu.** Sähkötyökalu toimii paremmin ja turvallisemmin, kun sitä käytetään sille suunniteltuun käyttötarkoitukseen.
- Älä käytä sähkötyökalua, jota ei voida käynnistää ja pysäyttää virtakytkimestä.** Jos sähkötyökalua ei voi hallita kytkimen avulla, se on vaarallinen ja se on korjattava.
- Irrota pistotulppa pistorasiasta ja/tai akku laitteesta ennen kuin suoritat säätöjä, vaihdat tarvikkeita tai siirrä sähkötyökalun varastoitavaksi.** Näin voit vähentää vahingossa käynnistymisen aiheuttaman henkilövahingon vaaraa.
- Säilytä sähkötyökalut poissa lasten ulottuvilta, kun niitä ei käytetä.**

Älä anna sähkötyökalua sellaisen henkilön käyttöön, joka ei tunne sitä tai joka ei ole tutustunut tähän käyttöohjeeseen. Sähkötyökalut ovat vaarallisia kouluttamattomien käyttäjien käsissä.

- e. Hoida sähkötyökalusi huolella. Tarkista, että liikkuvat osat toimivat moitteettomasti ja etteivät ne ole puristuksessa. Tarkista myös, ettei työkalussa ei ole murtuneita tai vahingoittuneita osia, jotka saattaisivat vaikuttaa haitallisesti sen toimintaan. Jos havaitset vaurioita, korjauta sähkötyökalu ennen niiden käyttämistä. Huonosti kunnossapidetyt sähkötyökalut aiheuttavat onnettomuuksia.
- f. Pidä leikkausterät terävinä ja puhtaina. Kunnossa pidettyjen leikkaavia teräviä reunoja sisältävien työkalut todennäköisyyksi jumiutua vähenee, ja niitä on helpompi hallita.
- g. Käytä sähkötyökaluja, tarvikkeita, vaihtoteriä yms. näiden ohjeiden mukaisesti. Ota tällöin huomioon työolosuhteet ja suoritettava toimenpide. Jos sähkötyökalua käytetään näiden ohjeiden vastaisesti, voi syntyä vaaratilanne.

5. Akkutyökalun käyttö ja huolto

- a. Lataa akku vain valmistajan määrittelemällä laturilla. Laturi, joka on sopiva yhden tyyppiselle akulle, voi aiheuttaa tulipalon vaaran, jos sitä käytetään toisen tyyppisellä akulla.
- b. Käytä sähkötyökalussa ainoastaan kyseiseen sähkötyökaluun tarkoitettua akkua. Muun tyyppisen akun käyttö saattaa johtaa loukkaantumiseen ja tulipaloon.
- c. Pidä irrallinen akku loitolla metalliesineistä, kuten paperiliittimistä, kolikoista, avaimista, nauloista, ruuveista tai muista pienistä metalliesineistä, jotka voivat aiheuttaa oikosulun akun navoissa. Kennon pinteiden oikosulku voi aiheuttaa palovammoja tai tulipalon.
- d. Väärin käytetystä akusta voi vuotaa nestettä. Älä kosketa sitä. Jos nesteen kanssa joutuu kosketuksiin, huuhtelee vedellä. Jos nestettä joutuu silmiin, hakeudu lisäksi lääkärin hoitoon. Akusta roiskunut neste saattaa aiheuttaa ärsytystä tai palovammoja.

6. Huolto

- a. Korjauta sähkötyökalu koulutetulla ja ammattitaitoisella henkilöllä ja hyväksy korjauksiin vain alkuperäisiä varaosia. Tämä varmistaa sähkötyökalun turvallisuuden.

Sähkötyökalujen lisäturvavaroitukset



Varoitus! Iskuväntimien lisäturvavaroitukset

- ◆ Käytä kuulosuojaimia iskuporakonetta käyttäessäsi. Melulle altistuminen voi aiheuttaa kuulon menetyksen.
- ◆ Käytä apukahvoja työkalun kanssa. Hallinnan menetykseen voi aiheuttaa henkilövahingon.
- ◆ Pitele sähkötyökalua eristetyistä tartuntapinnoista, kun teet työtä, jossa kiinnitin voi joutua kosketuksiin piilossa olevien sähköjohtojen kanssa. Kiinnittimien osuminen jännitteeseen johtoon tekee sen paljaista metalliosista jännitteisiä, joten käyttäjä voi saada sähköiskun.
- ◆ Käytä puristimia tai muuta käytännöllistä tapaa kiinnittää ja tukea työkalulle tukevalle alustalle. Työn pitäminen käsin tai vartaloa vasten on epävakaata ja saattaa johtaa kontrollin menetykseen.
- ◆ Tarkoitettu käyttö on kuvattu tässä käyttöohjeessa. Käytä työkalua ainoastaan sellaiseen työhön, johon se on tarkoitettu, ja käytä vain tässä käyttöohjeessa suositeltuja tarvikkeita ja lisälaitteita. Ohjeesta poikkeava käyttö voi aiheuttaa henkilö- ja/tai omaisuusvahinkoja.



Varoitus! Iskuväntimet eivät ole momenttiavaimia. Älä käytä tätä työkalua kiinnittimien kiristämiseen tiettyyn vääntömomenttiin. Momenttiavaimen kaltaista itsenäistä, kalibroitua vääntömomentin mittauslaitetta on käytettävä, kun ali- tai ylikiristetyt kiinnittimet voivat johtaa liitoksen peittämiseen.

Muiden henkilöiden turvallisuus

- ◆ Tätä työkalua ei ole tarkoitettu sellaisten henkilöiden käyttöön, joilla on fyysisiä tai älyllisiä rajoitteita tai aistirajoitteita, eikä laitteen toimintaan perehtymättömien henkilöiden käyttöön (lapset mukaan luettuina), paitsi valvonnan alaisina, tai jos he ovat saaneet laitteen käyttöön liittyvää opastusta heidän turvallisuudestaan vastaavalta henkilöltä.
- ◆ Lapsia tulee valvoa ja varmistaa, että he eivät leiki laitteella.

Jäännösriskit

Myös muut kuin turvavaroituksissa mainitut riskit ovat mahdollisia työkalua käytettäessä. Nämä riskit voivat liittyä muun muassa virheelliseen tai pitkäaikaiseen käyttöön. Tiettyjä jäännösriskejä ei voi välttää, vaikka noudatetaan kaikkia turvamaarayksisiä ja käytät turvalaitteita. Näitä ovat:

- ◆ Pyörivien tai liikkuvien osien koskettamisen aiheuttamat vahingot.
- ◆ Osia, teriä tai lisävarusteita vaihdettaessa aiheutuneet vahingot.
- ◆ Työkalun pitkäaikaisen käytön aiheuttamat vahingot. Varmista, että pidät säännöllisesti taukoja työkalun pitkäaikaisen käytön aikana.
- ◆ Kuulon heikkeneminen.

- ◆ Työkalua käytettäessä (esimerkiksi puuta, erityisesti tammea, pyökkiä ja MDF-levyjä käsiteltäessä) syntyneen pölyn sisäänhengityksen aiheuttamat terveysriskit.

Tärinä

Teknisissä tiedoissa ja vaatimustenmukaisuusvakuutuksessa ilmoitettu tärinäpäästöarvo on mitattu EN 60745 -standardin testaamenetelmän mukaisesti, ja arvoa voi käyttää työkalujen keskinäiseen vertailuun. Ilmoitettua tärinäpäästöarvoa voi käyttää myös altistumisen alustavaan arviointiin.

Varoitus! Sähkötyökalun käytön aikana mitattu todellinen tärinäpäästöarvo voi poiketa ilmoitetusta tärinäpäästöarvosta työkalun käyttötavan mukaan. Tärinätasoa voi olla ilmoitettua tasoa suurempi.

Kun tärinälle altistumista arvioidaan sen määrittämiseksi, mitä direktiivin 2002/44/EY mukaisia turvatoimenpiteitä vaaditaan sähkötyökaluja säännöllisesti käyttävien henkilöiden suojelemiseksi, tärinälle altistumisen arvioinnissa on otettava huomioon todelliset käyttöolosuhteet ja työkalun käyttötavat. Todellisen käytön lisäksi on kiinnitettävä huomiota myös siihen, milloin työkalu on sammutettuna tai se käy tyhjäkäynnillä.

Työkalun tarrat

Työkaluun on merkitty päivämääräkoodi sekä seuraavat varoitusmerkinnot:



Varoitus! Käyttäjän on luettava käyttöohje vahinkojen välttämiseksi.

Akkuja ja laturia koskevat lisäturvallisuusohjeet (ei toimiteta työkalun mukana)

Akut

- ◆ Älä koskaan yritä avata mistään syystä.
- ◆ Älä anna akun kastua.
- ◆ Älä säilytä paristoja tiloissa, joissa lämpötila voi nousta yli 40 °C:een.
- ◆ Lataa akku paikassa, jonka lämpötila on vähintään +10 °C ja enintään +40 °C.
- ◆ Lataa akku ainoastaan työkalun mukana toimitetulla laturilla.
- ◆ Noudata akkujen hävittämisessä Ympäristönsuojelukohdassa esitetyjä ohjeita.



Älä koskaan yritä ladata viallisia akkuja.

Laturit

- ◆ Käytä Stanley Fat Max -laturia vain laitteen mukana toimitetun akun lataamiseen. Muut akut voivat räjähtää ja aiheuttaa henkilövahinkoja tai aineellisia vahinkoja.
- ◆ Älä koskaan yritä ladata akkuja, joita ei ole tarkoitettu ladattaviksi.

- ◆ Vaihda vialliset johdot välittömästi ehjiin.
- ◆ Älä altista laturia vedelle.
- ◆ Älä avaa laturia.
- ◆ Älä työnä mitään laturin sisään.



Laturi on tarkoitettu ainoastaan sisäkäyttöön.



Lue käyttöohjeet huolellisesti ennen laitteen käyttöä.

Sähköturvallisuus



Laturi on kaksoeristetty, joten erillistä maadoitusta ei tarvita. Tarkista aina, että verkkojännite vastaa arvokilvessä ilmoitettua jännitettä. Älä yritä vaihtaa laturin tavallista verkkovirran pistoketta.

- ◆ Jos virtajohto vahingoittuu, sen vaihtaminen on turvallisuusyistä jätettävä valmistajan tai valtuutetun Stanley Fat Max -huoltoiliikkeen tehtäväksi.

Yleiskuvas

Tässä laitteessa on kaikki tai joitakin seuraavista ominaisuuksista.

1. Liipaisinkytkin
2. Suunnanvaihtopainike
3. Istukan holkki
4. Kuusioistukka pikaliitännällä
5. Akku
6. Akun vapautuspainike
7. LED-työvalo
8. Teränpidike (lisävaruste, ei kuulu pakkaukseen)

Asennus

Varoitus! Poista akku laitteesta aina ennen kokoamista.

Akun kiinnittäminen ja irrottaminen (kuva B)

- ◆ Kiinnitä akku (5) asettamalla se työkalussa olevan kiinnitysvyvennyksen kanssa samaan linjaan. Liu'uta akkua kiinnitysvyvennykseen, kunnes se lukittuu paikalleen.
- ◆ Irrota akku painamalla vapautuspainikkeita (6) samalla, kun vedät akun irti vyvennyksestä.

Ruuvas- tai hylsyavainkärkien kiinnittäminen tai poistaminen (kuva C1, C2)

Tässä työkalussa on pikavapautettava istukka, joka helpottaa kärkien vaihtamista.

Varoitus! Varmista ennen lisävarusteiden asentamista tai irrottamista, että työkalu on lukitussa asennossa virtakytimen tahattoman käytön estämiseksi.

- ◆ Lukitse työkalu siirtämällä eteen-/taaksepäin-liukusäädin (2) keskelle.

- ◆ Työnnä terän varsi (13) istukkaan (4) (kuva C1).

Huomautus! Irrota terä/pistoke vetämällä istukan kartiota (3) työkalun etuosasta pois päin ja pidä sitä paikallaan (kuva C2).

Varoitus! Käytä ainoastaan määritettyjä iskupistokkeita. Muut kuin iskupistokkeet voivat rikkoutua ja aiheuttaa vaaratilanteita. Tarkista pistoke ennen käyttöä varmistaaksesi, ettei siinä ole halkeamia. Käytä ainoastaan määritettyjä lisävarusteita.

Käyttö

Varoitus! Anna työkalun käydä omaan tahtiinsa. Älä ylikuorimita sitä.

Akun lataaminen (kuva A)

Lataa akku ennen ensimmäistä käyttökertaa ja aina, kun se ei enää tuota riittävästi virtaa toimintoihin, jotka aiemmin sujuivat helposti. Akku voi lämmetä ladattaessa. Tämä on normaalia, eikä se ole merkki mistään viasta.

Varoitus! Älä lataa akkua alle 10 °C tai yli 40 °C asteen lämpötilassa. Suositeltava latauslämpötila on 24 °C.

Huomautus: Laturi ei lataa akkua, jos akun kennon lämpötila on alle 10 °C tai yli 40 °C.

Akku tulee kuitenkin jättää laturiin. Laturi aloittaa lataamisen automaattisesti, kun kennon lämpötila nousee tai laskee riittävästi.

- ◆ Lataa akku (5) asettamalla se laturiin (10). Akku sopii laturiin vain yhdessä asennossa. Älä pakota. Varmista, että akku on kunnolla laturissa.
- ◆ Kytke laturi pistorasiaan.

Latauksen merkkivalo (11) vilkkuu tasaisesti vihreänä (hitaasti).

Akku on ladattu, kun latauksen merkkivalo (11) palaa keskeytyksettä vihreänä. Akku voidaan jättää laturiin, kun merkkivalo palaa. Merkkivalo voi alkaa vilkkua uudelleen vihreänä ns. täydennyslatauksen ajaksi. Latauksen merkkivalo (11) palaa niin kauan kuin akku on pistorasiaan liitettyssä laturissa.

- ◆ Lataa akut viikon kuluessa tyhjentymisestä. Akkujen käyttöikä lyhenee merkittävästi, jos ne jätetään tyhjiksi pitkäksi aikaa.

Akun jättäminen laturiin

Akku voidaan jättää laturiin, kun merkkivalo palaa. Laturi pitää akun käyttövalmiina ja ladattuna.

Laturin vianmääritys

Jos laturi havaitsee lähes tyhjän tai viallisen akun, latauksen merkkivalo (11) vilkkuu nopeasti punaisena. Toimi seuraavasti:

- ◆ Aseta akku (5) uudelleen laturiin.
- ◆ Jos merkkivalot vilkkuvat edelleen nopeasti punaisina, vaihda akku, jotta saat tarkistettua, toimiiko lataus asianmukaisesti.
- ◆ Jos toinen akku latautuu normaalisti, alkuperäinen akku on viallinen ja se on toimitettava huoltopisteeseen kierrätettäväksi.

- ◆ Jos toinen akku antaa saman virheilmoituksen kuin alkuperäinen, vie laturi huoltopisteeseen testattavaksi.

Huomautus: Akun kunnon määrittäminen voi kestää 60 minuuttia. Jos akku on liian kuuma tai kylmä, latauksen merkkivalo vilkkuu punaisena vuoroin nopeasti ja hitaasti.

Pyörimissuunnan valitseminen (kuva D)

Käytä kiristämiseen eteenpäin suuntautuvaa pyörimisliikettä (myötäpäivään). Käytä irrottamiseen taaksepäin suuntautuvaa pyörimisliikettä (vastapäivään).

- ◆ Valitse pyörimissuunta eteenpäin työntämällä eteen-/taaksepäin-liukusäädintä (2) vasemmalle.
- ◆ Valitse pyörimissuunta taaksepäin työntämällä eteen-/taaksepäin-liukusäädintä oikealle.
- ◆ Lukitse työkalu asettamalla eteen-/taaksepäin-liukusäädin keskelle.

Ruuvaaminen ja muttereiden asettaminen

- ◆ Valitse ruuvia tai mutteria vastaava kärki.
- ◆ Valitse pyörimissuunta eteen- tai taaksepäin edellä kuvulla tavalla.
- ◆ Pidä työkalua linjassa kiinnittimen kanssa.
- ◆ Paina virtakytkintä (1)
- ◆ Kun ruuvi on kiristetty, tarkista momentti momenttiavaimella.

LED-työvalo

LED-työvalo (7) aktivoituu automaattisesti, kun virtakytkintä painetaan. LED-työvalo sytyy, kun virtakytkintä painetaan osittain alas, eli jo ennen kuin laite käynnistyy.

Vinkejä parhaimman tuloksen saavuttamiseksi

Ruuvien kiinnittäminen

- ◆ Käytä aina oikeantyyppistä ja -kokoista ruuvikärkeä.
- ◆ Jos ruuvien kiristäminen on hankalaa, kokeile käyttäviä liukasteena pientä määrää pesunestettä tai saippuaa.
- ◆ Pidä aina työkalu ja ruuviavain suorassa linjassa ruuviin nähden.

Huolto

Tämä Stanley Fat Max -työkalu on suunniteltu toimimaan mahdollisimman pitkään mahdollisimman vähällä huollolla. Oikea käsittely ja säännöllinen puhdistus varmistavat laitteen ongelmattoman toiminnan.

Laturi ei tarvitse säännöllisen puhdistamisen lisäksi mitään muuta huoltoa.

Varoitus! Poista akku ennen työkalun huoltamista. Irrota laturi pistorasiasta ennen laturin puhdistamista.

- ◆ Puhdista työkalun ja laturin ilma-aukot säännöllisesti pehmeällä harjalla tai kuivalla liinalla.
- ◆ Puhdista moottorin kotelo säännöllisesti kostealla rätillä. Älä käytä hankaavia tai liuotinpohjaisia puhdistusaineita.
- ◆ Avaa istukka säännöllisesti ja naputtele pöly pois sen sisältä.

Ympäristönsuojelu



Toimita tämä laite erilliskeräykseen. Tällä symbolilla merkityt tuotteita ja akkuja ei saa hävittää tavallisen kotitalousjätteen mukana.

Tuotteissa ja akuissa on materiaaleja, jotka voidaan ottaa talteen tai kierrättää uudelleen käyttöä varten.

Kierrätä sähkölaitteet ja akut paikallisten määräyksien mukaan. Lisätietoa on saatavilla osoitteessa

www.2helpU.com

Tekniset tiedot

		FMC641
Jännite	V_{DC}	18V
Kuormittamaton nopeus	Min^{-1}	0-2800
Kuormitusisku	BPM	0-3100
Maks. vääntömomentti (PTI-menetelmä)	Nm	165
Istukan kapasiteetti	mm	6 (kuusio)
Paino	kg	1,5

Laturi		90599846-02	90636454
Syöttöjännite	V_{AC}	230	230
Lähtöjännite	V_{DC}	18	18
Virta	mA	1000	1000
Arvioitu latausaika	min	80-240	80-240

Akku		FMC684L	FMC685L	FMC687L	FMC688L
Jännite	V_{AC}	18	18	18	18
Teho	Ah	1,3	1,5	2,0	4,0
Tyyppi		LI-ion	LI-ion	LI-ion	LI-ion

Äänenpainetaso, määritetty EN 60745-standardin mukaan:	
Äänenpaine (L_{pA})	93,0 dB(A), epävarmuus (K) 3 dB(A)
Äänitehotaso (L_{WA})	104 dB(A), epävarmuus (K) 3 dB(A)
Tärinän kokonaisarvot (vektorisumma) standardin EN 60745 mukaisesti:	
Porattaessa metallia ($a_{h,D}$)	14,3 m/s^2 , epävarmuus (K) 1,5 m/s^2

EY-vaatimustenmukaisuusvakuutus

KONEDIREKTIIVI



Langaton iskuväännin - FMC641

Stanley Fat Max ilmoittaa, että tuotteet, jotka on kuvattu kohdassa Tekniset tiedot, täyttävät seuraavien direktiivien vaatimukset:

2006/42/EY, EN60745-1:2009+A11:2010 EN60745-2-2:2010

Nämä tuotteet täyttävät myös direktiivin 2004/108/EY vaatimukset. (19.4.2016 saakka) 2014/30/EY (alkaen 20.4.2016) ja 2011/65/EY.

Lisätietoja saa ottamalla yhteyttä Stanley Fat Max -yhtiöön seuraavaan osoitteeseen. Tiedot ovat myös käyttöoppaan takakannessa.

Allekirjoittaja vastaa teknisistä tiedoista ja antaa tämän vakuutuksen seuraavan yhtiön puolesta: Stanley Fat Max.

R. Laverick

Teknisen osaston johtaja

Stanley Fat Max Europe, 210 Bath Road, Slough,

Berkshire, SL1 3YD

Iso-Britannia

21.4. 2017

Takuu

Stanley Fat Max on vakuuttunut tuotteidensa korkeasta laadusta ja tarjoaa kuluttajille 12 kuukauden takuun, joka astuu voimaan ostopäivänä. Takuu on lisäys kuluttajan laillisiin oikeuksiin eikä vaikuta niihin. Tämä takuu on voimassa kaikissa EU- ja ETA-maissa.

Edellytyksenä takuun saamiselle on, että vaade täyttää Stanley Fat Maxin ehdot ja että ostaja toimittaa ostotositteen jälleenmyyjälle tai valtuutetulle huoltoliikkeelle. Stanley Fat Maxin yhden vuoden takuun ehdot ja lähimmän valtuutetun korjauspalvelun yhteystiedot ovat saatavilla osoitteessa www.2helpU.com tai ottamalla yhteyttä paikalliseen Stanley Fat Maxin toimipisteeseen tässä ohjekirjassa ilmoitettuun osoitteisiin.

Käy verkkosivuillemme osoitteessa www.stanley.eu/3 ja rekisteröi uusi Stanley Fat Max -tuotteesi. Sivuilta saat myös päivityksiä uusista tuotteista ja erikoistarjouksista.

Προβλεπόμενη χρήση

Το κρουστικό κλειδί Stanley Fat Max FMC641 έχει σχεδιαστεί για εφαρμογές βιδώματος και για εφαρμογές σύσφιξης παξιμαδιών. Αυτή η συσκευή προορίζεται για επαγγελματική και ιδιωτική, μη επαγγελματική χρήση.

Οδηγίες ασφαλείας

Γενικές προειδοποιήσεις ασφαλείας για ηλεκτρικά εργαλεία



Προειδοποίηση! Διαβάστε όλες τις προειδοποιήσεις ασφαλείας και όλες τις οδηγίες. Η μη τήρηση των παρακάτω προειδοποιήσεων και οδηγιών μπορεί να προκαλέσει ηλεκτροπληξία, πυρκαγιά και/ή σοβαρές σωματικές βλάβες.

Φυλάξτε όλες τις προειδοποιήσεις και τις οδηγίες για μελλοντική αναφορά. Ο όρος «ηλεκτρικό εργαλείο» που χρησιμοποιείται σε όλες τις παρακάτω προειδοποιήσεις αναφέρεται είτε σε εργαλείο που λειτουργεί με ρεύμα δικτύου (με καλώδιο) είτε σε εργαλείο που λειτουργεί με μπαταρία (χωρίς καλώδιο).

1. Ασφάλεια χώρου εργασίας

- α. Διατηρείτε το χώρο εργασίας καθαρό και καλά φωτισμένο. Οι ατακτοποιητοί ή σκοτεινοί χώροι γίνονται αιτίες ατυχημάτων.
- β. Μη χρησιμοποιείτε ηλεκτρικά εργαλεία σε περιβάλλον όπου υπάρχει κίνδυνος έκρηξης, όπως με παρουσία εύφλεκτων υγρών, αερίων ή σκόνης. Τα ηλεκτρικά εργαλεία παράγουν σπινθήρες που μπορεί να προκαλέσουν ανάφλεξη της σκόνης ή των αναθυμιάσεων.
- γ. Όταν χρησιμοποιείτε ηλεκτρικό εργαλείο, κρατάτε τα παιδιά και άλλα άτομα μακριά. Παράγοντες που αποσπούν την προσοχή μπορεί να σας κάνουν να χάσετε τον έλεγχο.

2. Ασφαλής χρήση ηλεκτρικού ρεύματος

- α. Τα φως των ηλεκτρικών εργαλείων πρέπει να ταιριάζουν στην πρίζα. Δεν επιτρέπεται με κανέναν τρόπο η μετασκευή του φως. Μη χρησιμοποιείτε προσαρμοστικά φως με γειωμένα ηλεκτρικά εργαλεία. Τα φως που δεν έχουν υποστεί τροποποιήσεις και οι κατάλληλες πρίζες μειώνουν τον κίνδυνο ηλεκτροπληξίας.
- β. Αποφεύγετε την επαφή του σώματός σας με γειωμένες επιφάνειες, όπως σωλήνες, καλοριφέρ, κουζίνες και ψυγεία. Υπάρχει αυξημένος κίνδυνος ηλεκτροπληξίας αν το σώμα σας είναι γειωμένο.
- γ. Μην εκθέτετε τα ηλεκτρικά εργαλεία σε βροχή ή υγρασία. Η εισχώρηση νερού σε ηλεκτρικό εργαλείο αυξάνει τον κίνδυνο ηλεκτροπληξίας.

- δ. Μην κακομεταχειρίζεστε το καλώδιο. Μη χρησιμοποιείτε ποτέ το καλώδιο για να μεταφέρετε το εργαλείο, να το τραβήξετε ή να το αποσυνδέσετε από την πρίζα. Κρατάτε το καλώδιο μακριά από θερμότητα, λάδια, αιχμηρά άκρα ή κινούμενα μέρη. Τα καλώδια που έχουν υποστεί ζημιά ή είναι μπερδεμένα αυξάνουν τον κίνδυνο ηλεκτροπληξίας.
- ε. Όταν χρησιμοποιείτε ηλεκτρικό εργαλείο σε εξωτερικούς χώρους, να χρησιμοποιείτε πάντοτε καλώδιο επέκτασης κατάλληλο για εργασία σε εξωτερικούς χώρους. Η χρήση καλωδίου κατάλληλου για εργασία σε εξωτερικούς χώρους μειώνει τον κίνδυνο ηλεκτροπληξίας.
- στ. Εάν είναι αναπόφευκτη η χρήση ενός ηλεκτρικού εργαλείου σε συνθήκες υγρασίας, χρησιμοποιήστε μια διάταξη προστασίας από ρεύμα διαρροής (RCD). Η χρήση μιας διάταξης RCD μειώνει τον κίνδυνο ηλεκτροπληξίας.

3. Προσωπική ασφάλεια

- α. Όταν χρησιμοποιείτε ηλεκτρικό εργαλείο, να είστε σε εγρήγορση, να συγκεντρώνεστε στην εργασία που κάνετε και να επιστρατεύετε την κοινή λογική. Μη χρησιμοποιείτε ηλεκτρικό εργαλείο όταν είστε κουρασμένος/η ή υπό την επήρεια ναρκωτικών, οινοπνεύματος ή φαρμακευτικής αγωγής. Μια στιγμή απροσεξίας κατά τη χρήση ηλεκτρικών εργαλείων μπορεί να προκαλέσει σοβαρό τραυματισμό.
- β. Να χρησιμοποιείτε ατομικό εξοπλισμό προστασίας. Πάντα φοράτε προστασία ματιών. Ο εξοπλισμός προστασίας, όπως μάσκα κατά της σκόνης, αντιολισθητικά παπούτσια ασφαλείας, κράνος ή προστασία ακοής, όταν χρησιμοποιείται για τις κατάλληλες συνθήκες, θα μειώσει τους τραυματισμούς και τις σωματικές βλάβες.
- γ. Αποτρέπετε την ακούσια ενεργοποίηση. Βεβαιωθείτε ότι ο διακόπτης λειτουργίας βρίσκεται στη θέση απενεργοποίησης πριν συνδέσετε το εργαλείο στην πηγή ρεύματος και/ή τοποθετήσετε το πακέτο μπαταρίας, πριν πάρετε ή μεταφέρετε το εργαλείο. Η μεταφορά ηλεκτρικών εργαλείων με το δάχτυλο πάνω στο διακόπτη ή η σύνδεση στο ρεύμα ηλεκτρικών εργαλείων με το διακόπτη στη θέση ενεργοποίησης, ενέχει κινδύνους πρόκλησης ατυχημάτων.
- δ. Πριν θέσετε το ηλεκτρικό εργαλείο σε λειτουργία, αφαιρέστε τυχόν εργαλεία ή κλειδιά ρύθμισης. Αν παραμείνει μηχανικό κλειδί ή κλειδί ρύθμισης συνδεδεμένο σε περιστρεφόμενο εξάρτημα του ηλεκτρικού εργαλείου, αυτό μπορεί να έχει ως αποτέλεσμα τραυματισμό ατόμων.
- ε. Μην τεντώνεστε υπερβολικά. Διατηρείτε πάντα σταθερή στήριξη στα πόδια σας και καλή ισορροπία.

Έτσι μπορείτε να έχετε καλύτερο έλεγχο του ηλεκτρικού εργαλείου σε μη αναμενόμενες καταστάσεις.

στ. Φοράτε κατάλληλη ενδυμασία εργασίας. Μη φοράτε ρούχα με χαλαρή εφαρμογή ούτε κοσμήματα. Κρατάτε τα μαλλιά, τα ρούχα και τα γάντια σας μακριά από κινούμενα μέρη. Τα χαλαρά ρούχα, τα κοσμήματα και τα μακριά μαλλιά μπορούν να πιαστούν σε κινούμενα μέρη.

ζ. Αν παρέχονται διατάξεις για τη σύνδεση συστημάτων απομάκρυνσης και συλλογής της σκόνης, βεβαιωθείτε ότι αυτά είναι συνδεδεμένα και χρησιμοποιούνται σωστά. Η χρήση διατάξεων συλλογής της σκόνης μπορεί να μειώσει τους κινδύνους που προέρχονται από τη σκόνη.

4. Χρήση και φροντίδα ηλεκτρικών εργαλείων

α. Μην υπερφορτώνετε το ηλεκτρικό εργαλείο.

Χρησιμοποιείτε το κατάλληλο εργαλείο ανάλογα με την εφαρμογή. Το σωστό ηλεκτρικό εργαλείο θα εκτελέσει την εργασία καλύτερα και ασφαλέστερα, με την ένταση χρήσης για την οποία σχεδιάστηκε.

β. Μη χρησιμοποιήσετε ηλεκτρικό εργαλείο αν ο διακόπτης του δεν μπορεί να το ενεργοποιεί και απενεργοποιεί. Ένα ηλεκτρικό εργαλείο του οποίου η λειτουργία δεν μπορεί να ελεγχθεί με το διακόπτη είναι επικίνδυνο και πρέπει να επισκευαστεί.

γ. Αποσυνδέστε το φις από την πηγή ρεύματος καίη το πακέτο μπαταρίας από το ηλεκτρικό εργαλείο, πριν διεξαγάτε οποιαδήποτε ρύθμιση, αλλαγή αξεσουάρ ή όταν πρόκειται να αποθηκεύσετε το ηλεκτρικό εργαλείο. Τέτοια προληπτικά μέτρα ασφαλείας μειώνουν το κίνδυνο αβέλτητης εκκίνησης του ηλεκτρικού εργαλείου.

δ. Να φυλάσσετε μακριά από παιδιά τα ηλεκτρικά εργαλεία που δεν χρησιμοποιείτε. Μην αφήνετε να χρησιμοποιήσουν ηλεκτρικό εργαλείο άτομα που δεν είναι εξοικειωμένα με αυτό ή άτομα που δεν έχουν διαβάσει αυτές τις οδηγίες χρήσης. Τα ηλεκτρικά εργαλεία είναι επικίνδυνα στα χέρια μη εκπαιδευμένων χρηστών.

ε. Να συντηρείτε τα ηλεκτρικά εργαλεία. Ελέγχετε για προβλήματα ευθυγράμμισης ή μάγκωμα των κινούμενων εξαρτημάτων, θραύση εξαρτημάτων, καθώς και για οποιοδήποτε άλλο πρόβλημα μπορεί να επηρεάσει τη λειτουργία των ηλεκτρικών εργαλείων. Αν το εργαλείο έχει υποστεί ζημιά, φροντίστε να επισκευαστεί πριν το χρησιμοποιήσετε. Η ανεπαρκής συντήρηση των ηλεκτρικών εργαλείων αποτελεί αιτία πολλών ατυχημάτων.

στ. Διατηρείτε τα κοπτικά εργαλεία κοφτερά και καθαρά. Τα κοπτικά εργαλεία με αιχμηρά κοπτικά άκρα που συντηρούνται σωστά έχουν λιγότερες πιθανότητες να μπλοκάρουν και ελέγχονται ευκολότερα.

ζ. Να χρησιμοποιείτε το ηλεκτρικό εργαλείο, τα αξεσουάρ και τις μύτες των εργαλείων κλπ. σύμφωνα με τις παρούσες οδηγίες, λαμβάνοντας υπόψη σας τις συνθήκες εργασίας και την εργασία που θέλετε να εκτελέσετε. Η χρήση του ηλεκτρικού εργαλείου για εργασίες διαφορετικές από τις προβλεπόμενες θα μπορούσε να οδηγήσει σε επικίνδυνη κατάσταση.

5. Χρήση και φροντίδα εργαλείων μπαταρίας

α. Να επαναφορτίζετε μόνο με το φορτιστή που καθορίζει ο κατασκευαστής. Ένας φορτιστής που είναι κατάλληλος για ένα τύπο πακέτου μπαταρίας μπορεί να δημιουργήσει κίνδυνο πυρκαγιάς όταν χρησιμοποιείται με άλλο πακέτο μπαταρίας.

β. Χρησιμοποιείτε τα ηλεκτρικά εργαλεία αποκλειστικά και μόνο με τα καθοριζόμενα πακέτα μπαταριών. Η χρήση άλλων πακέτων μπαταριών μπορεί να προκαλέσει κίνδυνο τραυματισμού και πυρκαγιάς.

γ. Όταν το πακέτο μπαταρίας δεν χρησιμοποιείται, κρατάτε το μακριά από άλλα μεταλλικά αντικείμενα, όπως συνδετήρες, κέρματα, κλειδιά, καρφιά, βίδες ή άλλα μικρά μεταλλικά αντικείμενα που μπορούν να βραχυκυκλώσουν τους δύο ακροδέκτες του. Εάν βραχυκυκλώσουν οι ακροδέκτες της μπαταρίας, μπορεί να προκληθούν εγκαύματα ή πυρκαγιά.

δ. Αν οι μπαταρίες υποστούν κακομεταχείριση, μπορεί να διαρρεύσει υγρό. Αποφύγετε την επαφή. Αν κατά λάθος έρθετε σε επαφή, ξεπλύνετε με νερό. Σε περίπτωση που το υγρό έλθει σε επαφή με τα μάτια σας, ζητήστε επιπλέον και ιατρική βοήθεια. Το υγρό που εξέρχεται από την μπαταρία μπορεί να προκαλέσει ερεθισμό ή εγκαύματα.

6. Σέρβις

α. Το σέρβις του ηλεκτρικού σας εργαλείου πρέπει να αναλαμβάνει έμπειρος τεχνικός που χρησιμοποιεί μόνο γνήσια ανταλλακτικά. Έτσι θα εξασφαλίσετε τη διατήρηση της ασφάλειας του ηλεκτρικού εργαλείου.

Πρόσθετες προειδοποιήσεις ασφαλείας για ηλεκτρικά εργαλεία



Προειδοποίηση! Συμπληρωματικές προειδοποιήσεις ασφαλείας για κρουστικά κλειδιά

- ◆ Όταν χρησιμοποιείτε κρουστικά δράπανα, να φοράτε ωτοασπίδες. Η έκθεση σε θόρυβο μπορεί να προκαλέσει απώλεια ακοής.
- ◆ Χρησιμοποιείτε τις βοηθητικές λαβές που παρέχονται μαζί με το εργαλείο. Η απώλεια ελέγχου μπορεί να προκαλέσει σωματική βλάβη.

- ◆ **Κρατάτε το ηλεκτρικό εργαλείο από τις μονωμένες επιφάνειες συγκράτησης όταν εκτελείτε κάποια εργασία κατά την οποία το στοιχείο στερέωσης μπορεί να έρθει σε επαφή με κρυμμένα καλώδια.**

Αν το στοιχείο στερέωσης έρθει σε επαφή με καλώδιο υπό τάση μπορεί να θεθούν υπό ηλεκτρική τάση και τα εκτεθειμένα μεταλλικά μέρη του ηλεκτρικού εργαλείου και να προκληθεί ηλεκτροπληξία στο χειριστή.

- ◆ **Χρησιμοποιείτε σφιγκτήρες ή άλλο πρακτικό μέσο για να στερεώνετε και να στηρίζετε το τεμάχιο εργασίας σε σταθερό υπόβαθρο.** Αν κρατάτε το τεμάχιο εργασίας με το χέρι σας ή κόντρα στο σώμα σας, αυτό δεν είναι σταθερό και μπορεί να προκληθεί απώλεια ελέγχου.
- ◆ Η προβλεπόμενη χρήση περιγράφεται στο παρόν εγχειρίδιο οδηγιών. Η χρήση οποιοδήποτε αξεσουάρ ή προσαρτήματος ή η εκτέλεση με αυτό το εργαλείο οποιασδήποτε εργασίας διαφορετικής από αυτές που υποδεικνύονται στο παρόν εγχειρίδιο οδηγιών, ενδέχεται να εγκυμονεί κίνδυνο σωματικής βλάβης και/ή υλικών ζημιών.



Προειδοποίηση! Τα κρουστικά κλειδιά δεν είναι ροπόκλειδα. Μη χρησιμοποιείτε αυτό το εργαλείο για τη σύσφιξη στοιχείων στερέωσης σε καθορισμένη ροπή. Πρέπει να χρησιμοποιείτε ξεχωριστή, βαθμονομημένη συσκευή μέτρησης ροπής, όπως ένα ροπόκλειδο, όταν κάποιο στοιχείο στερέωσης που έχει σφικτεί είτε υπερβολικά είτε ελλιπώς μπορεί να οδηγήσει σε αστοχία μιας σύνδεσης.

Ασφάλεια τρίτων

- ◆ Αυτό το εργαλείο δεν προορίζεται για χρήση από άτομα (στα οποία περιλαμβάνονται και τα παιδιά) με μειωμένες φυσικές, αισθητηριακές ή διανοητικές ικανότητες ή άτομα χωρίς εμπειρία και γνώσεις, παρά μόνο εφόσον επιτηρούνται ή τους έχουν δοθεί οδηγίες σχετικά με τη χρήση του εργαλείου από άτομο υπεύθυνο για την ασφάλειά τους.
- ◆ Τα παιδιά πρέπει να επιτηρούνται για να διασφαλίζεται ότι δεν παίζουν με τη συσκευή.

Υπολειπόμενοι κίνδυνοι

Κατά τη χρήση του εργαλείου μπορεί να δημιουργηθούν πρόσθετοι υπολειπόμενοι κίνδυνοι, οι οποίοι ενδέχεται να μη συμπεριλαμβάνονται στις προειδοποιήσεις ασφαλείας που εσωκλείονται. Αυτοί οι κίνδυνοι μπορεί να προκληθούν από κακή χρήση, παρατεταμένη χρήση κλπ.

Παρά την εφαρμογή των σχετικών κανονισμών ασφαλείας και τη χρήση διατάξεων ασφαλείας, ορισμένοι υπολειπόμενοι κίνδυνοι δεν είναι δυνατό να αποφευχθούν. Σ' αυτούς περιλαμβάνονται:

- ◆ Τραυματισμοί από επαφή με περιστρεφόμενα/κινούμενα μέρη.
- ◆ Τραυματισμοί κατά την αλλαγή οποιουδήποτε εξαρτημάτων, λεπίδων ή αξεσουάρ.
- ◆ Σωματικές βλάβες από παρατεταμένη χρήση του εργαλείου. Όταν χρησιμοποιείτε οποιοδήποτε εργαλείο για παρατεταμένα χρονικά διαστήματα, μην παραλείπετε με κανένα τρόπο να κάνετε τακτικά διαλείμματα.
- ◆ Βλάβη της ακοής.
- ◆ Κίνδυνοι στην υγεία που προκαλούνται από την εισπνοή σκόνης, όταν χρησιμοποιείτε το εργαλείο (παραδείγματα: όταν επεξεργάζεστε ξύλο, ειδικά δρυ, οξιά και MDF.)

Κραδασμοί

Η δηλωμένη τιμή εκπομπής κραδασμών που αναφέρεται στα τεχνικά χαρακτηριστικά και τη δήλωση συμμόρφωσης έχει μετρηθεί σύμφωνα με τυποποιημένη μέθοδο δοκιμής που προβλέπεται από το πρότυπο EN 60745 και μπορεί να χρησιμοποιηθεί για τη σύγκριση ενός εργαλείου με ένα άλλο. Η δηλωμένη τιμή εκπομπής κραδασμών μπορεί επίσης να χρησιμοποιηθεί σε ένα προκαταρκτικό προσδιορισμό της έκθεσης σε κραδασμούς.

Προειδοποίηση! Η τιμή εκπομπής κραδασμών κατά την πραγματική χρήση του ηλεκτρικού εργαλείου μπορεί να διαφέρει από τη δηλωμένη τιμή, ανάλογα με τον τρόπο που χρησιμοποιείται το εργαλείο. Το επίπεδο κραδασμών μπορεί να αυξηθεί πάνω από το επίπεδο που έχει δηλωθεί.

Κατά τον προσδιορισμό της έκθεσης σε κραδασμούς για τον καθορισμό των απαιτούμενων μέτρων ασφάλειας σύμφωνα με την οδηγία 2002/44/ΕΚ για την προστασία προσώπων που χρησιμοποιούν συχνά ηλεκτρικά εργαλεία στην εργασία τους, μια προσεγγιστική εκτίμηση της έκθεσης σε κραδασμούς πρέπει να λαμβάνει υπόψη τις πραγματικές συνθήκες χρήσης και τον τρόπο χρήσης του εργαλείου, συμπεριλαμβανομένων και όλων των επιμέρους τμημάτων του κύκλου εργασίας, όπως τα χρονικά διαστήματα που το εργαλείο ήταν εκτός λειτουργίας και τα διαστήματα λειτουργίας χωρίς φορτίο επιπλέον του χρόνου πίεσης της σκανδάλης.

Ετικέτες πάνω στο εργαλείο

Το εργαλείο φέρει τα παρακάτω προειδοποιητικά σύμβολα μαζί με τον κωδικό ημερομηνίας:



Προειδοποίηση! Για να μειωθεί ο κίνδυνος τραυματισμού, ο χρήστης πρέπει να διαβάσει το εγχειρίδιο οδηγιών.

Πρόσθετες οδηγίες ασφαλείας για μπαταρίες και φορτιστές (Δεν παρέχονται με το εργαλείο)

Μπαταρίες

- ◆ Ποτέ μην επιχειρήσετε να τις ανοίξετε, για κανένα λόγο.

- ◆ Μην εκθέτετε την μπαταρία σε νερό.
- ◆ Μην αποθηκεύετε σε θέσεις όπου η θερμοκρασία ενδέχεται να υπερβεί τους 40 °C.
- ◆ Η φόρτιση πρέπει να γίνεται μόνο σε θερμοκρασίες περιβάλλοντος μεταξύ 10 °C και 40 °C.
- ◆ Η φόρτιση πρέπει να γίνεται μόνο με το φορτιστή που παρέχεται μαζί με το εργαλείο.
- ◆ Κατά την απόρριψη των μπαταριών, να τηρείτε τις οδηγίες που παρέχονται στην ενότητα «Προστασία του περιβάλλοντος».



Μην επιχειρήσετε να φορτίσετε μπαταρίες που έχουν υποστεί ζημιά.

Φορτιστές

- ◆ Ο φορτιστής Stanley Fat Max πρέπει να χρησιμοποιείται αποκλειστικά και μόνο για τη φόρτιση της μπαταρίας του εργαλείου το οποίο συνοδεύει. Άλλες μπαταρίες ενδέχεται να σκάσουν, προκαλώντας τραυματισμό ατόμων και ζημιές.
- ◆ Μην επιχειρήσετε ποτέ να φορτίσετε μη επαναφορτιζόμενες μπαταρίες.
- ◆ Να φροντίζετε να αντικαθίστανται άμεσα τα καλώδια που έχουν υποστεί ζημιά.
- ◆ Μην εκθέτετε το φορτιστή σε νερό.
- ◆ Μην ανοίξετε το φορτιστή.
- ◆ Μην εισάγετε οποιαδήποτε αντικείμενα μέσα στο φορτιστή.



Ο φορτιστής προορίζεται για χρήση μόνο σε εσωτερικούς χώρους.



Διαβάστε το εγχειρίδιο οδηγιών πριν τη χρήση.

Ασφαλής χρήση ηλεκτρικού ρεύματος



Ο φορτιστής σας φέρει διπλή μόνωση. Επομένως, δεν απαιτείται αγωγός γείωσης. Ελέγχετε πάντα ότι η τάση ρεύματος δικτύου συμφωνεί με αυτήν που αναγράφεται στην πινακίδα τεχνικών χαρακτηριστικών. Ποτέ μην επιχειρήσετε να αντικαταστήσετε το φορτιστή με κανονικό φως ρεύματος δικτύου.

- ◆ Αν το καλώδιο ρεύματος έχει υποστεί φθορά, πρέπει να αντικατασταθεί από τον κατασκευαστή ή από ένα εξουσιοδοτημένο κέντρο επισκευών της Stanley Fat Max, ώστε να μην αποτελέσει κίνδυνο.

Χαρακτηριστικά

Στη συσκευή περιλαμβάνονται ορισμένα ή όλα τα παρακάτω στοιχεία.

1. Διακόπτης σκανδάλης
2. Κομπι κίνησης εμπρός/όπισθεν
3. Κολάρο τσοκ
4. Εξαγωνικό τσοκ ταχείας απελευθέρωσης
5. Μπαταρία
6. Κομπι απελευθέρωσης μπαταρίας
7. Φως εργασίας LED
8. Υποδοχή μύτης (το αξεσουάρ δεν παρέχεται)

Συναρμολόγηση

Προειδοποίηση! Πριν από τη συναρμολόγηση, αφαιρέστε την μπαταρία από το εργαλείο.

Τοποθέτηση και αφαίρεση της μπαταρίας (εικ. Β)

- ◆ Για να τοποθετήσετε τη μπαταρία (5), ευθυγραμμίστε τη με την υποδοχή στο εργαλείο. Τοποθετήστε την μπαταρία μέσα στην υποδοχή και σπρώξτε την μέχρι να ασφαλίσει στη θέση της.
- ◆ Για να αφαιρέσετε τη μπαταρία, πατήστε τα κομπιά απασφάλισης (6) και ταυτόχρονα τραβήξτε τη μπαταρία έξω από την υποδοχή.

Τοποθέτηση και αφαίρεση μιας μύτης κατασβιδιού ή καρυδιού (εικ. C1, C2)

Το εργαλείο αυτό είναι εξοπλισμένο με τσοκ ταχείας απελευθέρωσης για την εύκολη αλλαγή των μυτών.

Προειδοποίηση! Βεβαιωθείτε ότι το εργαλείο είναι ασφαλισμένο, ώστε να αποτραπεί τυχόν ενεργοποίηση του διακόπτη πριν από την τοποθέτηση ή την αφαίρεση αξεσουάρ.

- ◆ Ασφαλίστε το εργαλείο θέτοντας το συρόμενο επιλογήα κίνησης εμπρός/όπισθεν (2) στην κεντρική θέση.
- ◆ Εισαγάγετε τον άξονα της μύτης (13) στο τσοκ (4) (Εικ. C1).

Σημείωση! Για να αφαιρέσετε τη μύτη/το καρυδάκι, τραβήξτε και κρατήστε το κολάρο του τσοκ (3) αντίθετα από το εμπρός μέρος του εργαλείου (Εικ. C2).

Προειδοποίηση! Χρησιμοποιείτε μόνο καρυδάκια σχεδιασμένα για κρουστική λειτουργία. Τα μη κρουστικά καρυδάκια μπορεί να σπάσουν και να προκαλέσουν επικίνδυνη κατάσταση. Ελέγχετε το καρυδάκι πριν τη χρήση για να βεβαιωθείτε ότι δεν έχει ρωγμές. Χρησιμοποιείτε μόνο αξεσουάρ σχεδιασμένα για κρουστική λειτουργία.

Χρήση

Προειδοποίηση! Αφήστε το εργαλείο να λειτουργήσει με το δικό του ρυθμό. Μην το υπερφορτώνετε.

Φόρτιση της μπαταρίας (εικ. Α)

Η μπαταρία πρέπει να φορτιστεί πριν την πρώτη χρήση και όταν δεν μπορεί να παρέχει επαρκή ισχύ σε εργασίες που πριν γίνοντουσαν εύκολα. Η μπαταρία μπορεί να θερμαίνεται κατά τη φόρτιση. Κάτι τέτοιο είναι φυσιολογικό και δεν υποδηλώνει πρόβλημα.

Προειδοποίηση! Μην φορτίζετε την μπαταρία σε θερμοκρασίες περιβάλλοντος κάτω από 10 °C ή πάνω από 40 °C. Η συνιστώμενη θερμοκρασία φόρτισης είναι περίπου 24 °C. Σημείωση: Ο φορτιστής δεν θα φορτίσει μια μπαταρία με θερμοκρασία κυψέλης κάτω από περίπου 10 °C ή πάνω από 40 °C.

Η μπαταρία θα πρέπει να μείνει στο φορτιστή και αυτός θα αρχίσει να τη φορτίζει αυτόματα μόλις η θερμοκρασία κυψέλης αυξηθεί ή μειωθεί αντίστοιχα.

- ◆ Για να φορτίσετε την μπαταρία (5), τοποθετήστε την μέσα στο φορτιστή (10). Η μπαταρία μπορεί να τοποθετηθεί στο φορτιστή μόνο με έναν τρόπο. Μην ασκείτε άσκοπη δύναμη. Βεβαιωθείτε ότι η μπαταρία είναι τοποθετημένη σωστά στο φορτιστή.
- ◆ Συνδέστε το φορτιστή στην πρίζα και ενεργοποιήστε την παροχή ρεύματος.

Η ενδεικτική λυχνία φόρτισης (11) θα αρχίσει να αναβοσβήνει συνεχώς (αργά) με πράσινο χρώμα.

Η φόρτιση έχει ολοκληρωθεί όταν η ενδεικτική λυχνία φόρτισης (11) ανάψει σταθερά με πράσινο χρώμα. Ο φορτιστής και η μπαταρία μπορούν να παραμείνουν συνδεδεμένα επ' αόριστον όσο η ενδεικτική λυχνία LED είναι αναμμένη. Η ενδεικτική λυχνία LED αρχίζει να αναβοσβήνει με πράσινο χρώμα (φόρτιση), καθώς ο φορτιστής αναπληρώνει περιστασιακά το φορτίο της μπαταρίας. Η ενδεικτική λυχνία φόρτισης (11) παραμένει αναμμένη για όσο διάστημα η μπαταρία είναι συνδεδεμένη με το φορτιστή στην πρίζα.

- ◆ Φορτίζετε τις αποφορτισμένες μπαταρίες εντός 1 εβδομάδας. Η διάρκεια ζωής μιας μπαταρίας μειώνεται σημαντικά εάν αυτή αποθηκευτεί σε αποφορτισμένη κατάσταση

Παραμονή της μπαταρίας στο φορτιστή

Ο φορτιστής και το πακέτο μπαταρίας μπορούν να παραμείνουν συνδεδεμένα με τη λυχνία LED αναμμένη επ' αόριστον. Ο φορτιστής θα διατηρήσει το πακέτο μπαταρίας σε βέλτιστη κατάσταση και πλήρως φορτισμένο.

Διαγνωστικά φορτιστή

Εάν ο φορτιστής εντοπίσει μια ασθενή ή κατεστραμμένη μπαταρία, η ενδεικτική λυχνία φόρτισης (11) θα αρχίσει να αναβοσβήνει γρήγορα με κόκκινο χρώμα. Προχωρήστε ως εξής:

- ◆ Επανατοποθετήστε την μπαταρία (5).
- ◆ Εάν η ενδεικτική λυχνία φόρτισης συνεχίζει να αναβοσβήνει γρήγορα με κόκκινο χρώμα, χρησιμοποιήστε μια άλλη μπαταρία για να εξακριβώσετε αν η διαδικασία φόρτισης λειτουργεί σωστά.
- ◆ Αν η νέα μπαταρία φορτίζεται σωστά, αυτό σημαίνει ότι η αρχική μπαταρία είναι ελαττωματική και θα πρέπει να επιστραφεί σε ένα κέντρο σέρβις για ανακύκλωση.
- ◆ Αν η νέα μπαταρία δίνει την ίδια ένδειξη με την αρχική μπαταρία, δώστε το φορτιστή για έλεγχο σε εξουσιοδοτημένο κέντρο σέρβις.

Σημείωση: Μπορεί να χρειαστούν μέχρι και 60 λεπτά για να εξακριβωθεί εάν η μπαταρία είναι ελαττωματική. Εάν η μπαταρία είναι πολύ θερμή ή πολύ κρύα, η ενδεικτική λυχνία LED θα αναβοσβήνει με κόκκινο χρώμα σε γρήγορο και αργό ρυθμό εναλλασσόμενα, με μια αναλαμπή σε κάθε ρυθμό και επαναλαμβανόμενα.

Επιλογή της κατεύθυνσης περιστροφής (εικ. D)

Για σφίξιμο, χρησιμοποιήστε την προς τα εμπρός (δεξιόστροφη) περιστροφή. Για χαλάρωμα χρησιμοποιήστε την ανάστροφη (αριστερόστροφη) περιστροφή.

- ◆ Για επιλογή της προς τα εμπρός περιστροφής, πιέστε προς τα αριστερά το συρόμενο επιλογέα κίνησης εμπρός/όπισθεν (2).
- ◆ Για επιλογή της ανάστροφης περιστροφής, πιέστε προς τα δεξιά το συρόμενο επιλογέα κίνησης εμπρός/όπισθεν.
- ◆ Για να ασφαλίσετε το εργαλείο, θέστε το συρόμενο επιλογέα κίνησης εμπρός/όπισθεν στην κεντρική θέση.

Βίδωμα / σφίξιμο παξιμαδιών

- ◆ Επιλέξτε την κατάλληλη μύτη / καρυδάκι για τη βίδα ή το παξιμαδί που θα βιδωθεί.
- ◆ Επιλέξτε περιστροφική κίνηση προς τα εμπρός ή πίσω, όπως περιγράφεται παραπάνω.
- ◆ Κρατάτε το εργαλείο στην ίδια ευθεία με το στοιχείο στερέωσης.
- ◆ Πιέστε τη σκανδάλη (1)
- ◆ Μετά τη σύσφιξη, ελέγξτε τη ροπή με ένα ροποκλειδο.

Φως εργασίας LED

Το φως εργασίας LED (7) ενεργοποιείται αυτόματα όταν πιέζεται η σκανδάλη. Το φως εργασίας LED θα ανάψει όταν πιεστεί μερικώς η σκανδάλη, πριν ξεκινήσει η λειτουργία της μονάδας.

Συμβουλές για βέλτιστη χρήση

Βίδωμα

- ◆ Χρησιμοποιείτε πάντα μύτες κατασαβιδιού του κατάλληλου τύπου και μεγέθους.
- ◆ Εάν συναντήσετε δυσκολία κατά τη σύσφιξη βιδών, δοκιμάστε να χρησιμοποιήσετε μικρή ποσότητα υγρού πλυσίματος ή σαπουνιού για λίπανση.
- ◆ Πάντοτε να κρατάτε το εργαλείο και τη μύτη κατασαβιδιού σε ευθεία γραμμή με τη βίδα.

Συντήρηση

Αυτό το εργαλείο της Stanley Fat Max έχει σχεδιαστεί έτσι ώστε να λειτουργεί για μεγάλο χρονικό διάστημα με την ελάχιστη δυνατή συντήρηση. Η συνεχής ικανοποιητική λειτουργία εξαρτάται από τη σωστή φροντίδα και τον τακτικό καθαρισμό του εργαλείου.

Ο φορτιστής σας δεν απαιτεί άλλη συντήρηση εκτός του τακτικού καθαρισμού.

Προειδοποίηση! Προτού πραγματοποιήσετε κάποια συντήρηση στο εργαλείο, αφαιρέστε την μπαταρία από το εργαλείο. Πριν καθαρίσετε το φορτιστή, αποσυνδέστε τον από την πρίζα.

- ◆ Να καθαρίζετε τακτικά τις εγκοπές εξαιρισμού του εργαλείου και του φορτιστή με μια μαλακή βούρτσα ή με ένα στεγνό πανί.
- ◆ Να καθαρίζετε τακτικά το περιβλήμα του μοτέρ με ένα υγρό πανί.
Μην χρησιμοποιείτε καθαριστικά που χαράζουν ή περιέχουν διαλύτες.
- ◆ Να ανοίγετε τακτικά το τσοκ και να το χτυπάτε ελαφρά για να αφαιρείται η σκόνη από το εσωτερικό του.

Προστασία του περιβάλλοντος



Χωριστή συλλογή. Τα προϊόντα και οι μπαταρίες που επισημαίνονται με αυτό το σύμβολο δεν πρέπει να απορρίπτονται μαζί με τα κανονικά οικιακά απορρίμματα.

Τα προϊόντα και οι μπαταρίες περιέχουν υλικά που μπορούν να ανακτηθούν ή να ανακυκλωθούν ώστε να μειωθούν οι ανάγκες για πρώτες ύλες.

Παρακαλούμε να ανακυκλώνετε τα ηλεκτρικά προϊόντα και τις μπαταρίες σύμφωνα με τους τοπικούς κανονισμούς. Περισσότερες πληροφορίες διατίθενται στον ιστότοπο www.2helpU.com

Τεχνικά χαρακτηριστικά

		FMC641
Τάση	V_{DC}	18V
Ταχύτητα χωρίς φορτίο	Min^{-1}	0-2800
Κρούσεις	BPM	0-3100
Μέγ. ροπή (Μέθοδος PTI)	Nm	165
Μέγεθος τσοκ	mm	6 (εξαγωνικό)
Βάρος	kg	1,5

Φορτιστής		90599846-02	90636454
Τάση εισόδου	V_{AC}	230	230
Τάση εξόδου	V_{DC}	18	18
Ρεύμα	mA	1000	1000
Χρόνος φόρτισης περ.	Λεπτά	80-240	80-240

Μπαταρία		FMC684L	FMC685L	FMC687L	FMC688L
Τάση	V_{AC}	18	18	18	18
Χωρητικότητα	Ah	1,3	1,5	2,0	4,0
Τύπος		Li-Ion (λιθίου-ιόντων)	Li-Ion (λιθίου-ιόντων)	Li-Ion (λιθίου-ιόντων)	Li-Ion (λιθίου-ιόντων)

Στάθμη ηχητικής πίεσης, μετρημένες σύμφωνα με το πρότυπο EN 60745:

Ηχητική πίεση (L_{pA}) 93,0 dB(A), αβεβαιότητα (K) 3 dB(A)

Ηχητική ισχύς (L_{WA}) 104 dB(A), αβεβαιότητα (K) 3 dB(A)

Οι συνολικές τιμές δόνησης (διανυσματικό άθροισμα τριών αξόνων) κατά EN 60745:

Διάτρηση σε μέταλλο ($a_{h,D}$) 14,3 m/s^2 , αβεβαιότητα (K) 1,5 m/s^2

Δήλωση συμμόρφωσης EK

ΟΔΗΓΙΑ ΠΕΡΙ ΜΗΧΑΝΗΜΑΤΩΝ



Κρουστικό καταβίδι μπαταρίας - FMC641

Η Stanley Fat Max δηλώνει ότι αυτά τα προϊόντα που περιγράφονται στα «τεχνικά χαρακτηριστικά» συμμορφώνονται με:
2006/42/EK, EN60745-1:2009+A11:2010 EN60745-2-2:2010

Αυτά τα προϊόντα συμμορφώνονται επίσης με την Οδηγία 2004/108/EK (έως 19/04/2016) 2014/30/EE (από 20/04/2016) και 2011/65/EE.

Για περισσότερες πληροφορίες, παρακαλέστε να επικοινωνήσετε με την Stanley Fat Max στην παρακάτω διεύθυνση ή να ανατρέξετε στο πίσω μέρος του εγχειριδίου.

Ο κάτωθι υπογεγραμμένος είναι υπεύθυνος για την κατάρτιση του τεχνικού φακέλου και δηλώνει τα παρόντα εκ μέρους της Stanley Fat Max.



R. Laverick
Διευθυντής Σχεδιασμού
Stanley Fat Max Europe, 210 Bath Road, Slough,
Berkshire, SL1 3YD
United Kingdom
21/04/2017

Εγγύηση

Η Stanley Fat Max είναι σίγουρη για την ποιότητα των προϊόντων της και προσφέρει στους καταναλωτές εγγύηση 12 μηνών από την ημερομηνία αγοράς. Αυτή η εγγύηση είναι πρόσθετο δικαίωμά σας και δεν ζημιώνει τα νόμιμα δικαιώματά σας. Η εγγύηση ισχύει εντός της επικράτειας των χωρών μελών της Ευρωπαϊκής Ένωσης και της Ευρωπαϊκής Ζώνης Ελεύθερων Συναλλαγών.

Για να υποβάλετε αξίωση βάσει της εγγύησης, η αξίωση θα πρέπει να είναι σύμφωνη με τους Όρους και προϋποθέσεις της Stanley Fat Max και θα χρειαστεί να υποβάλετε απόδειξη αγοράς στον πωλητή ή σε εξουσιοδοτημένο αντιπρόσωπο επισκευών. Μπορείτε να αποκτήσετε τους Όρους και προϋποθέσεις της εγγύησης 1 ετών της Stanley Fat Max και να μάθετε την τοποθεσία του πλησιέστερου εξουσιοδοτημένου αντιπροσώπου επισκευών στο Internet στο www.2helpU.com, ή επικοινωνώντας με το τοπικό σας γραφείο Stanley Fat Max στη διεύθυνση που υποδεικνύεται στο παρόν χειρίδιο.

Παρακαλούμε επισκεφθείτε την ιστοσελίδα μας www.stanley.eu/3 για να καταχωρίσετε το νέο σας προϊόν Stanley Fat Max και για να ενημερώνεστε για τα νέα προϊόντα και τις ειδικές προσφορές.

België/Belgique	Stanley Fat Max E. Walschaertstraat 14-16 2800 Mechelen Belgium	De. Tel. +32 70 220 065 Fr. Tel. +32 70 220 066 Fax +32 15 473 799 www.stanleytools.eu Enduser.be@SBDinc.com
Danmark	Stanley Fat Max Farveland 1B 2600 Glostrup	Tel. 70 20 15 10 Fax 70 22 49 10 www.stanleyworks.dk
Deutschland	Stanley Fat Max Richard Klinger Str. 11, D - 65510 Idstein	Tel. 06126 21-1 Fax 06126 21-2770
Ελλάδα	Stanley Fat Max. Στράβωνος 7 & Λεωφ. Βουλιαγμένης 159 Γλυφάδα 166 74 - Αθήνα	Τηλ. +30 210 8981-616 Φαξ +30 210 8983-285 www.stanleyworks.gr
España	Stanley Fat Max. Parc de Negocis "Mas Blau" Edificio Muntadas, c/Bergadá, 1, Of. A6 08820 El Prat de Llobregat (Barcelona)	Tel. 934 797 400 Fax 934 797 419 respuesta.postventa@sbdinc.com www.stanleyworks.es
France	Stanley Fat Max 5 allée des Hêtres B.P. 30084 69579 Limonest Cédex	Tel. 04 72 20 39 20 Fax 04 72 20 39 00 www.stanleyouillage.fr
Helvetia	Stanley Fat Max In der Luberzen 40 8902 Urdorf	Tel. 01 730 67 47 Fax 01 730 70 67 www.stanleyworks.de
Italia	Stanley Fat Max EnergyPark-Building 03 sud, Via Monza 7/A 20871 Vimercate (MB)	Tel. 039-9590200 Fax 039-9590313 www.stanley.it
Nederland	Stanley Fat Max Joulehof 12, 4600 RG Bergen op Zoom	Tel. +31 164 283 065 Fax +31 164 283 200 Enduser.NL@SBDinc.com
Norge	Stanley Fat Max Postboks 4613, Nydalen 0405 Oslo	Tlf. 45 25 13 00 Fax 45 25 08 00
Österreich	Stanley Fat Max Oberlaaerstraße 248, A-1230 Wien	Tel. 01 66116-0 Fax 01 66116-614 www.stanleyworks.de
Portugal	Stanley Fat Max Centro de Escritórios de Sintra Avenida Almirante Gago Coutinho, 132/134, Edifício 142710-418 Sintra 2710-418 Lisboa	Tel. 214667500 Fax 214667575 resposta.posvenda@sbdinc.com
Suomi	Stanley Fat Max Tekniikantie 12, 02150 Espoo	Puh. 010 400 430 Faksi 0800 411 340 www.stanleyworks.fi
Sverige	Stanley Fat Max Box 94, 431 22 Mölndal	Tel. 031-68 61 00 Fax 031-68 60 08
Türkiye	Stanley Fat Max KALE Hırdavat ve Makina A.Ş. Defterdar Mah. Savaklar Cad. No:15 Edirnekapı / Eyüp / İSTANBUL 34050	Puh. 0212 533 52 55 Faks 0212 533 10 05 www.stanleyworks.fi
United Kingdom	Stanley Fat Max 210 Bath Road Slough, Berkshire SL1 3YD	Tel. +44 (0)1753 511234 Fax +44 (0)1753 551155 www.stanleytools.co.uk
Middle East & Africa	Stanley Fat Max P.O.Box - 17164 Jebel Ali (South Zone), Dubai, UAE	Tel. +971 4 8127400 Fax +971 4 8127036 www.stanleyworks.ae