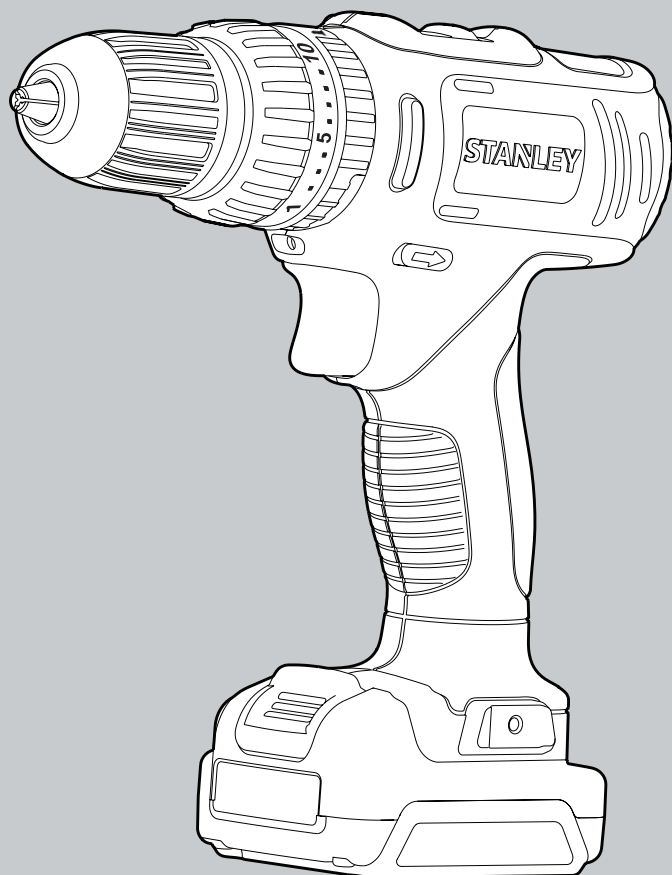


STANLEY



SCH12

English	Page 4
Русский	Page 13
Українська	Page 25
Türkçe	Page 36

Fig A

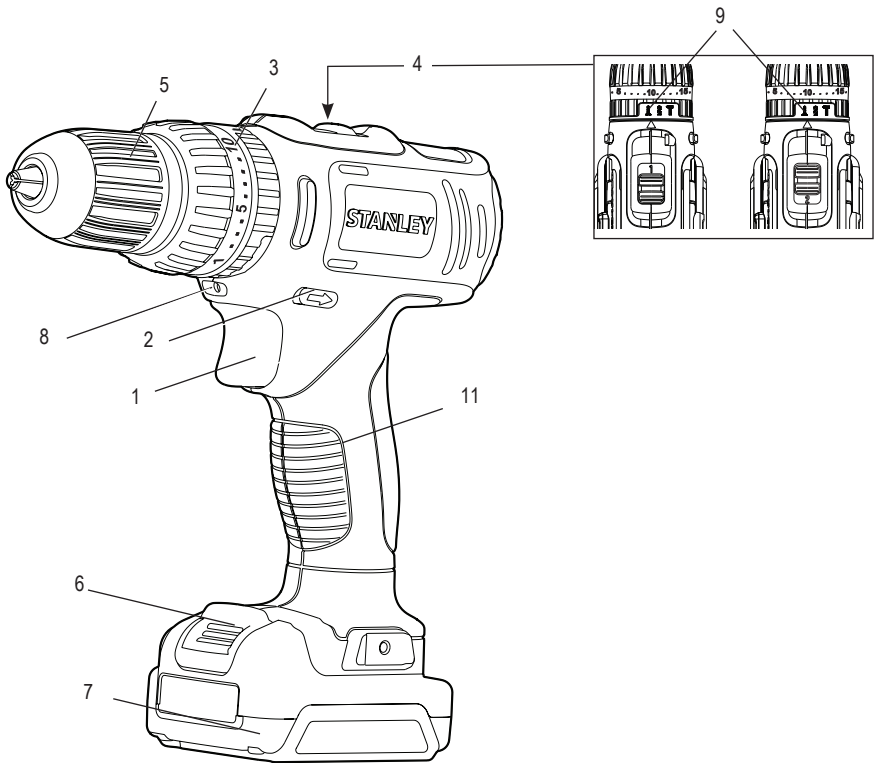


Fig B

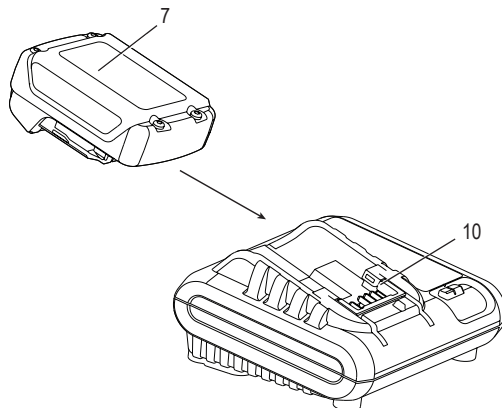


Fig C

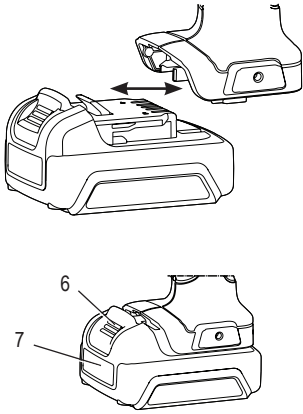


Fig D

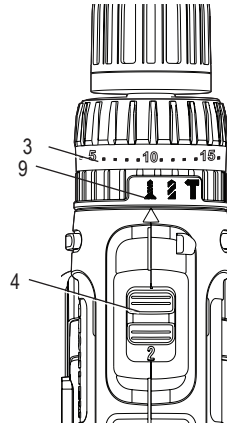


Fig E

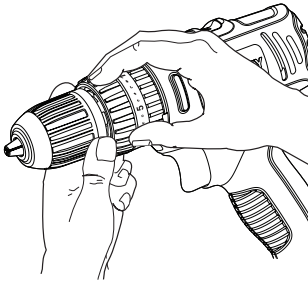


Fig F

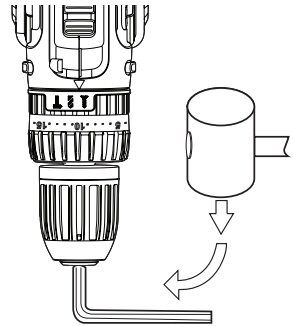


Fig G

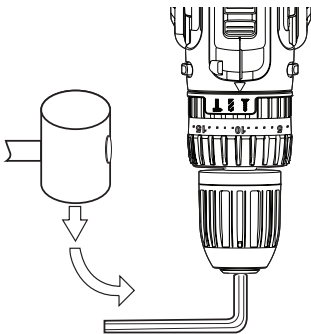
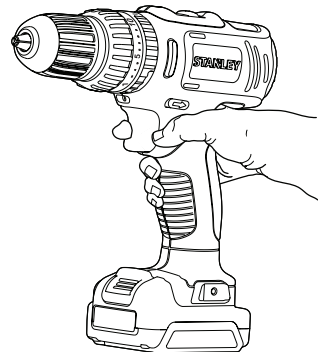


Fig H



Intended use

Your Stanley SCH12 10.8V Li-Ion Hammer Drill has been designed for light fastening and drilling applications. This tool is intended for professional use.

Safety instructions

General power tool safety warnings



Warning! Read all safety warnings and all instructions. Failure to follow the warnings and instructions listed below may result in electric shock, fire and/or serious injury.

Save all warnings and instructions for future reference.

The term "power tool" in all of the warnings listed below refers to your mains operated (corded) power tool or battery operated (cordless) power tool.

1. Work area safety

- a. **Keep work area clean and well lit.** Cluttered or dark areas invite accidents.
- b. **Do not operate power tools in explosive atmospheres, such as in the presence of flammable liquids, gases or dust.** Power tools create sparks which may ignite the dust or fumes.
- c. **Keep children and bystanders away while operating a power tool.** Distractions can cause you to lose control.

2. Electrical safety

- a. **Power tool plugs must match the outlet. Never modify the plug in any way. Do not use any adapter plugs with earthed (grounded) power tools.** Unmodified plugs and matching outlets will reduce risk of electric shock.
- b. **Avoid body contact with earthed or grounded surfaces such as pipes, radiators, ranges and refrigerators.** There is an increased risk of electric shock if your body is earthed or grounded.
- c. **Do not expose power tools to rain or wet conditions.** Water entering a power tool will increase the risk of electric shock.
- d. **Do not abuse the cord. Never use the cord for carrying, pulling or unplugging the power tool. Keep cord away from heat, oil, sharp edges or moving parts.** Damaged or entangled cords increase the risk of electric shock.
- e. **When operating a power tool outdoors, use an extension cord suitable for outdoor use.** Use of a cord suitable for outdoor use reduces the risk of electric shock.
- f. **If operating a power tool in a damp location is unavoidable, use a residual current device (RCD) protected supply.** Use of an RCD reduces the risk of electric shock.

3. Personal safety

- a. **Stay alert, watch what you are doing and use common sense when operating a power tool. Do not use a power tool while you are tired or under the influence of drugs,**

alcohol or medication. A moment of inattention while operating power tools may result in serious personal injury.

- b. **Use personal protective equipment. Always wear eye protection.** Protective equipment such as dust mask, non-skid safety shoes, hard hat, or hearing protection used for appropriate conditions will reduce personal injuries.

- c. **Prevent unintentional starting. Ensure the switch is in the off-position before connecting to power source and/or battery pack, picking up or carrying the tool.** Carrying power tools with your finger on the switch or energising power tools that have the switch on invites accidents.

- d. **Remove any adjusting key or wrench before turning the power tool on.** A wrench or a key left attached to a rotating part of the power tool may result in personal injury.

- e. **Do not overreach. Keep proper footing and balance at all times.** This enables better control of the power tool in unexpected situations.

- f. **Dress properly. Do not wear loose clothing or jewellery. Keep your hair, clothing and gloves away from moving parts.** Loose clothes, jewellery or long hair can be caught in moving parts.

- g. **If devices are provided for the connection of dust extraction and collection facilities, ensure these are connected and properly used.** Use of dust collection can reduce dust-related hazards.

4. Power tool use and care

- a. **Do not force the power tool. Use the correct power tool for your application.** The correct power tool will do the job better and safer at the rate for which it was designed.
- b. **Do not use the power tool if the switch does not turn it on and off.** Any power tool that cannot be controlled with the switch is dangerous and must be repaired.
- c. **Disconnect the plug from the power source and/or the battery pack from the power tool before making any adjustments, changing accessories, or storing power tools.** Such preventive safety measures reduce the risk of starting the power tool accidentally.
- d. **Store idle power tools out of the reach of children and do not allow persons unfamiliar with the power tool or these instructions to operate the power tool.** Power tools are dangerous in the hands of untrained users.
- e. **Maintain power tools. Check for misalignment or binding of moving parts, breakage of parts and any other condition that may affect the power tools operation. If damaged, have the power tool repaired before use.** Many accidents are caused by poorly maintained power tools.
- f. **Keep cutting tools sharp and clean.** Properly maintained cutting tools with sharp cutting edges are less likely to bind and are easier to control.
- g. **Use the power tool, accessories and tool bits etc. in accordance with these instructions, taking into account the working conditions and the work to be performed.** Use of

the power tool for operations different from those intended could result in a hazardous situation.

5. Battery tool use and care

a. Recharge only with the charger specified by the manufacturer. A charger that is suitable for one type of battery pack may create a risk of fire when used with another battery pack.

b. Use power tools only with specifically designated battery packs. Use of any other battery packs may create a risk of injury and fire.

c. When battery pack is not in use, keep it away from other metal objects, like paper clips, coins, keys, nails, screws, or other small metal objects, that can make a connection from one terminal to another. Shorting the battery terminals together may cause burns or a fire.

d. Under abusive conditions, liquid may be ejected from the battery; avoid contact. If contact accidentally occurs, flush with water. If liquid contacts eyes, additionally seek medical help. Liquid ejected from the battery may cause irritation or burns.

6. Service

a. Have your power tool serviced by a qualified repair person using only identical replacement parts. This will ensure that the safety of the power tool is maintained.

Additional Specific Safety Rules for Drill/Drivers

- **Wear ear protectors when impact drilling.** Exposure to noise can cause hearing loss.
- **Use auxiliary handle(s), if supplied with the tool.** Loss of control can cause personal injury.
- **Hold power tool by insulated gripping surfaces when performing an operation where the cutting accessory may contact hidden wiring.** Cutting accessory contacting a "live" wire may make exposed metal parts of the power tool "live" and could give the operator an electric shock.

Residual Risks

In spite of the application of the relevant safety regulations and the implementation of safety devices, certain residual risks cannot be avoided.

These are:

- Impairment of hearing.
- Risk of personal injury due to flying particles.
- Risk of burns due to accessories becoming hot during operation.
- Risk of personal injury due to prolonged use.

Labels on tool

The following pictograms are shown on the tool along with the date code:



Warning! To reduce the risk of injury, the user must read the instruction manual.



Always wear safety goggles



Always wear safety hearing protection

Position of date barcode

The Date Code, which also includes the year of manufacture, is printed into the housing.

Example:

2015 XX JN
Year of manufacturing

Important Safety Instructions for All Battery Chargers

SAVE THESE INSTRUCTIONS: This manual contains important safety and operating instructions for the SC121 battery chargers.

- Before using charger, read all instructions and cautionary markings on charger, battery pack, and product using battery pack.



WARNING: Shock hazard. Do not allow any liquid to get inside charger. Electric shock may result.



CAUTION: Burn hazard. To reduce the risk of injury, charge only STANLEY rechargeable batteries. Other types of batteries may burst causing personal injury and damage.



CAUTION: Children should be supervised to ensure that they do not play with the appliance.

NOTICE: Under certain conditions, with the charger plugged in to the power supply, the charger can be shorted by foreign material. Foreign materials of a conductive nature such as, but not limited to, grinding dust, metal chips, steel wool, aluminum foil, or any buildup of metallic particles should be kept away from charger cavities. Always unplug the charger from the power supply when there is no battery pack in the cavity. Unplug charger before attempting to clean.

- **DO NOT attempt to charge the battery pack with any chargers other than the ones in this manual.** The charger and battery pack are specifically designed to work together.
- **These chargers are not intended for any uses other than charging STANLEY rechargeable batteries.** Any other uses may result in risk of fire, electric shock or electrocution.
- **Do not expose charger to rain or snow.**
- **Pull by plug rather than cord when disconnecting charger.** This will reduce risk of damage to electric plug and cord.
- **Make sure that cord is located so that it will not be stepped on, tripped over, or otherwise subjected to damage or stress.**

ENGLISH (Original instructions)

- **Do not use an extension cord unless it is absolutely necessary.** Use of improper extension cord could result in risk of fire, electric shock, or electrocution.
- **Do not place any object on top of charger or place the charger on a soft surface that might block the ventilation slots and result in excessive internal heat.** Place the charger in a position away from any heat source. The charger is ventilated through slots in the top and the bottom of the housing.
- **Do not operate charger with damaged cord or plug** — have them replaced immediately.
- **Do not operate charger if it has received a sharp blow, been dropped, or otherwise damaged in any way.** Take it to an authorised service centre.
- **Do not disassemble charger; take it to an authorized service centre when service or repair is required.** Incorrect reassembly may result in a risk of electric shock, electrocution or fire.
- In case of damaged power supply cord the supply cord must be replaced immediately by the manufacturer, its service agent or similar qualified person to prevent any hazard.
- **Disconnect the charger from the outlet before attempting any cleaning. This will reduce the risk of electric shock.** Removing the battery pack will not reduce this risk.
- **NEVER** attempt to connect 2 chargers together.
- **The charger is designed to operate on standard household electrical power. Do not attempt to use it on any other voltage.** This does not apply to the vehicular charger.

SAVE THESE INSTRUCTIONS

Chargers

The SC121 accept 10.8V batteries.

These chargers require no adjustment and are designed to be as easy as possible to operate.







Charging Procedure (fig. B)

1. Plug the charger (10) into an appropriate outlet before inserting battery pack.
2. Insert the battery pack (7) into the charger. The red (charging) light will blink continuously indicating that the charging process has started.
3. The completion of charge will be indicated by the red light remaining ON continuously. The pack is fully charged and may be used at this time or left in the charger.

NOTE: To ensure maximum performance and life of Li-Ion batteries, charge the battery pack fully before first use.

Charging Process

Refer the tables below for the state of charge of the battery pack.

State of charge	
 charging	— — — — — 
 fully charged	————— 
 hot/cold pack delay	— — — ——— 

HOT/COLD PACK DELAY

When the charger detects a battery that is hot, it automatically delays charging until the battery has cooled.

When the charger detects a battery that is cold, it automatically delays charging until the battery has warmed.

The red light will continue to blink, but a yellow indicator light will be illuminated during this operation. Once the battery has cooled, the yellow light will turn off and the charger will resume the charging procedure.

Electronic protection system

Li-Ion batteries are designed with an Electronic Protection System that will protect the battery against overloading, overheating or deep discharge.

The tool will automatically turn off if the Electronic Protection System engages. If this occurs, place the Li-Ion battery on the charger until it is fully charged.

Important Safety Instructions for All Battery Packs

When ordering replacement battery packs, be sure to include catalog number and voltage.

The battery pack is not fully charged out of the carton. Before using the battery pack and charger, read the safety instructions below. Then follow charging procedures outlined.

READ ALL INSTRUCTIONS

- **Do not charge or use battery in explosive atmospheres, such as in the presence of flammable liquids, gases or dust.** Inserting or removing the battery from the charger may ignite the dust or fumes.
- **Never force battery pack into charger. Do not modify battery pack in any way to fit into a non-compatible charger as battery pack may rupture causing serious personal injury.**
- Charge the battery packs only in STANLEY chargers.
- **DO NOT** splash or immerse in water or other liquids.
- **Do not store or use the tool and battery pack in locations where the temperature may reach or exceed 40 °C (105 °F) (such as outside sheds or metal buildings in summer).**




WARNING: Never attempt to open the battery pack for any reason. If battery pack case is cracked or damaged, do not insert into charger. Do not crush, drop or damage battery pack. Do not use a battery pack or charger that has received a sharp blow, been dropped, run over or damaged in any way (i.e., pierced with a nail, hit with a hammer, stepped on). Electric shock or electrocution may result. Damaged battery packs should be returned to service centre for recycling.



CAUTION: When not in use, place tool on its side on a stable surface where it will not cause a tripping or falling hazard. Some tools with large battery packs will stand upright on the battery pack but may be easily knocked over.

SPECIFIC SAFETY INSTRUCTIONS FOR LITHIUM ION (Li-Ion)

- **Do not incinerate the battery pack even if it is severely damaged or is completely worn out.** The battery pack can explode in a fire. Toxic fumes and materials are created when lithium ion battery packs are burned.
- **If battery contents come into contact with the skin, immediately wash area with mild soap and water.** If battery liquid gets into the eye, rinse water over the open eye for 15 minutes or until irritation ceases. If medical attention is needed, the battery electrolyte is composed of a mixture of liquid organic carbonates and lithium salts.
- **Contents of opened battery cells may cause respiratory irritation.** Provide fresh air. If symptoms persists, seek medical attention.

 **WARNING:** Burn hazard. Battery liquid may be flammable if exposed to spark or flame.

Transportation

STANLEY batteries comply with all applicable shipping regulations as prescribed by industry and legal standards which include UN Recommendations on the Transport of Dangerous Goods; International Air Transport Association (IATA) Dangerous Goods Regulations, International Maritime Dangerous Goods (IMDG) Regulations, and the European Agreement Concerning The International Carriage of Dangerous Goods by Road (ADR). Lithium-ion cells and batteries have been tested to section 38.3 of the UN Recommendations on the Transport of Dangerous Goods Manual of Tests and Criteria.

In most instances, shipping a STANLEY battery pack will be excepted from being classified as a fully regulated Class 9 Hazardous material. In general, the two instances that require shipping Class 9 are:

1. Air shipping more than two STANLEY lithium-ion battery packs when the package contains only battery packs (no tools), and
2. Any shipment containing a lithium-ion battery with an energy rating greater than 100 watt hours (Wh). All lithium-ion batteries have the watt hour rating marked on the pack.

Regardless of whether a shipment is considered excepted or fully regulated, it is the shipper's responsibility to consult the latest regulations for packaging, labeling/marketing and documentation requirements.

Transporting batteries can possibly cause fire if the battery terminals inadvertently come in contact with conductive materials. When transporting batteries, make sure that the battery terminals are protected and well insulated from materials that could contact them and cause a short circuit.

The information provided in this section of the manual is provided in good faith and believed to be accurate at the time the document was created. However, no warranty, expressed or implied, is given. It is the buyer's responsibility to ensure that its activities comply with the applicable regulations.

Battery Pack

BATTERY TYPE

The SCH12 operates on a 10.8V battery pack.

Storage Recommendations

1. The best storage place is one that is cool and dry away from direct sunlight and excess heat or cold. For optimum battery performance and life, store battery packs at room temperature when not in use.
2. For long storage, it is recommended to store a fully charged battery pack in a cool, dry place out of the charger for optimal results.

NOTE: Battery packs should not be stored completely depleted of charge. The battery pack will need to be recharged before use.

Labels on Charger and Battery Pack

In addition to the pictographs used in this manual, the labels on the charger and the battery pack may show the following pictographs:



Read instruction manual before use.



See **Technical Data** for charging time.



Battery charging.



Battery charged.



Battery defective.



Hot/cold pack delay.



Do not probe with conductive objects.



Do not charge damaged battery packs.



Do not expose to water.



Have defective cords replaced immediately.



Charge only between 4 °C and 40 °C.



Only for indoor use.



Discard the battery pack with due care for the environment.



Charge STANLEY battery packs only with designated STANLEY chargers. Charging battery packs other than the designated STANLEY batteries with a STANLEY charger may make them burst or lead to other dangerous situations.



Do not incinerate the battery pack.

Package Contents

The package contains:

- 1 Hammer drill
- 1 Charger
- 2 Batteries (S2) or 1 Battery (S1)
- 1 Instruction manual

NOTE: Battery packs and chargers are not included with N-models.

- Check for damage to the tool, parts or accessories which may have occurred during transport.
- Take the time to thoroughly read and understand this manual prior to operation.

FEATURES (Fig. A)

1. Trigger Switch
2. Forward/Reverse Button
3. Torque Adjustment Collar
4. Gear shifter
5. Keyless Chuck
6. Battery Release Button
7. Battery pack
8. LED Work Light
9. Function collar

INTENDED USE

This hammer drill is designed for light fastening and drilling applications.

DO NOT use under wet conditions or in presence of flammable liquids or gases.

This hammer drill is a professional power tool.

DO NOT let children come into contact with the tool. Supervision is required when inexperienced operators use this tool.

- This product is not intended for use by persons (including children) suffering from diminished physical, sensory or mental abilities, or for lack of experience and/or for want of knowledge or skills unless they are supervised by a person responsible for their safety. Children should never be left alone to play with this product.

Electrical Safety



The electric motor has been designed for one voltage only. Always check that the battery pack voltage corresponds to the voltage on the rating plate. Also make sure that the voltage of your charger corresponds to that of your mains.

Your STANLEY charger is double insulated in accordance with EN 60335; therefore no earth wire is required.

If the supply cord is damaged, it must be replaced by a specially prepared cord available through the STANLEY service organization.

Using an Extension Cable

An extension cord should not be used unless absolutely necessary. Use an approved extension cable suitable for the power input of your charger (see **Technical Data**). The minimum conductor size is 1 mm²; the maximum length is 30 m.

When using a cable reel, always unwind the cable completely.

Assembly and adjustments



WARNING: Prior to assembly and adjustment, always remove the battery pack. Always switch off the tool before inserting or removing the battery pack.



WARNING: Use only STANLEY battery packs and chargers.

Inserting and Removing the Battery Pack from the Tool (fig. C)



WARNING: To reduce the risk of serious personal injury, place the forward/reverse button in the lock-off position or turn tool off and disconnect battery pack before making any adjustments or removing/installing attachments or accessories. An accidental start-up can cause injury.

NOTE: Make sure your battery pack (7) is fully charged.

TO INSTALL THE BATTERY PACK INTO THE TOOL HANDLE

1. Align the battery pack with the rails inside the handle.
2. Slide it firmly into place until you hear the lock snap into place.

TO REMOVE THE BATTERY PACK FROM THE TOOL

1. Press the release button (6) and firmly pull the battery pack out of the tool handle.
2. Insert battery pack into the charger as described in the charger section of this manual.

OPERATING INSTRUCTIONS

Safety warnings and instructions: Drills



WARNING: Always observe the safety instructions and applicable regulations.



WARNING: To reduce the risk of serious personal injury, place the forward/reverse button in the lock-off position or turn tool off and disconnect battery pack

before making any adjustments or removing/installing attachments or accessories.



Proper Hand Position (Fig. A, H)



WARNING: To reduce the risk of serious personal injury, **ALWAYS** use proper hand position as shown.

WARNING: To reduce the risk of serious personal injury, **ALWAYS** hold securely in anticipation of a sudden reaction.

Proper hand position requires one hand on the main handle (9).

Trigger switch (Fig. A)

To turn the tool on, squeeze the trigger switch (1). To turn the tool off, release the trigger switch. Your tool is equipped with a brake. The chuck will stop when the trigger switch is fully released.

The variable speed switch enables you to select the best speed for a particular application. The further you squeeze the trigger, the faster the tool will operate. For maximum tool life, use variable speed only for starting holes or fasteners.

NOTE: Continuous use in variable speed range is not recommended. It may damage the switch and should be avoided.

Forward/Reverse Control Button (Fig. A)

A forward/reverse control button (2) determines the rotational direction of the tool and also serves as a lock off

To select forward rotation, release the trigger switch and depress the forward/reverse control button on the right side of the tool.

To select reverse, depress the forward/reverse control button on the left side of the tool.

The center position of the control button locks the tool in the off position. When changing the position of the control button, be sure the trigger is released.

NOTE: The first time the tool is run after changing the direction of rotation, you may hear a click on start up. This is normal and does not indicate a problem.

LED work light

There is a LED worklight (8) located under the torque adjustment collar (3). The worklight will be activated when the trigger switch is squeezed.

Note: The work light is for lighting the immediate work surface and is not intended to be used as a flashlight.

Torque Adjustment Collar (Fig. A, D)

Turn function collar (9) to screw symbol. The torque adjustment collar (3) is clearly marked with numbers and a drill bit symbol. The collar should be rotated until the desired setting is located at the top of the tool. Locators are provided in the collar to eliminate the guess work when selecting fastening torque. The higher the number on the collar, the higher the torque and the larger the fastener which can be driven. To lock the clutch for drilling operations, move function collar(9) to drill bit position.

NOTE: When using the hammer drill for drilling holes, be sure that the function collar is set so the figure of the drill is aligned with the center line on the top of the tool. Failure to do this will allow the clutch to slip while attempting to drill.

Gear Shifter (Fig. A, D)

The dual range feature of your drill allows you to shift gears for greater versatility.

To select the low speed, high torque setting, turn the tool off and permit to stop. Slide the gear shifter (4) forward (towards the chuck). To select the high speed, low torque setting, turn the tool off and permit to stop. Slide the gear shifter back (away from chuck).

Note: Do not change gears when tool is running. If you are having trouble changing gears, make sure that the dual range gear button is either completely pushed forward or completely pushed back.

Keyless chuck (Fig. E)

Your tool features a keyless chuck with one rotating sleeve for one-handed operation of the chuck. To insert a drill bit or other accessory, follow these steps.

1. Lock the trigger in the OFF position as previously described.
2. Grasp the black sleeve of the chuck with one hand and use the other hand to secure the tool. Rotate the sleeve counterclockwise far enough to accept the desired accessory.
3. Insert the accessory about 19 mm (3/4") into the chuck and tighten securely by rotating the chuck sleeve clockwise with one hand while holding the tool with the other. Your tool is equipped with an automatic spindle lock mechanism. This allows you to open and close the chuck with one hand.



To release the accessory, repeat step 2 above.

WARNING: Do not attempt to tighten drill bits (or any other accessory) by gripping the front part of the chuck and turning the tool on. Damage to the chuck and personal injury may result. Always lock off trigger switch when changing accessories.

Be sure to tighten chuck with one hand on the chuck sleeve and one hand holding the tool for maximum tightness.

Chuck removal (Fig. F)

Turn the adjustment collar to the "drill" position and gear shifter to position 1 (low speed). Tighten the chuck around the shorter end of a hex key (not supplied) of 6.35 mm (1/4") or greater size. Using a wooden mallet or similar object, strike the longer end in the clockwise direction, as shown. This will loosen the screw inside the chuck.

Open chuck jaws fully, insert screwdriver (or Torx tool if required) into front of chuck between jaws to engage screw head. Remove screw by turning clockwise (left-hand-thread). Place hex key in chuck and tighten, as shown in Figure F. Using a wooden mallet or similar object, strike key sharply in the counterclockwise direction. This will loosen the chuck so that it can be unscrewed by hand.

Chuck installation (Fig. G)

Screw the chuck on by hand as far as it will go and insert screw (left-hand thread). Tighten screw securely. Tighten the chuck around the shorter end of a 6.35 mm (1/4") or larger hex key (not supplied) strike the longer end in the clockwise direction with

ENGLISH (Original instructions)

a wooden mallet, as shown. Tighten the screw once again by turning in a counter-clockwise direction.

Drill Operation



WARNING: To reduce the risk of serious personal injury, turn tool off and disconnect tool from power source before making any adjustments or removing/installing attachments or accessories.



WARNING: To reduce the risk of personal injury, **ALWAYS** ensure workpiece is anchored or clamped firmly. If drilling thin material, use a wood "back-up" block to prevent damage to the material.

Turn the collar to the drill bit symbol for drilling. Select the desired speed/torque range using the gear shifter to match the speed and torque to the planned operation.

- Use sharp drill bits only. For WOOD, use twist drill bits, spade bits, or hole saws. For METAL, use high-speed steel (HSS) twist drill bits or hole saws.
- Always apply pressure in a straight line with the bit. Use enough pressure to keep drill biting, but do not push hard enough to stall the motor or deflect the bit.
- Hold tool firmly with both hands to control the twisting action of the drill.



WARNING: The drill may stall if overloaded causing a sudden twist. Always expect the stall. Grip the drill firmly with both hands to control the twisting action and avoid injury.

• **IF DRILL STALLS, it is usually because it is being overloaded or improperly used. RELEASE TRIGGER IMMEDIATELY, remove drill bit from work, and determine cause of stalling. DO NOT CLICK TRIGGER ON AND OFF IN AN ATTEMPT TO START A STALLED DRILL — THIS CAN DAMAGE THE DRILL.**

- To minimize stalling or breaking through the material, reduce pressure on drill and ease the bit through the last fractional part of the hole.
- Keep the motor running when pulling the bit back out of a drilled hole. This will help prevent jamming.
- With variable speed drills there is no need to center punch the point to be drilled. Use a slow speed to start the hole and accelerate by squeezing the trigger harder when the hole is deep enough to drill without the bit skipping out.

Hammer drill operation (Fig. D)

1. Turn the collar (9) to the hammer drill symbol.
2. Select the high speed setting by sliding the selector forward (towards the chuck). Important: Use carbide tipped or masonry bits only.
3. Drill with just enough force on the hammer to keep it from bouncing excessively or "rising" off the bit. Too much force will cause slower drilling speeds, overheating and lower drilling rate.

4. Drill straight, keeping the bit at a right angle to the work. Do not exert side pressure on the bit when drilling as this will cause clogging of the bit flutes and a slower drilling speed.

5. When drilling deep holes, if the hammer speed starts to drop off, pull the bit partially out of the hole with tool still running to help clear debris from the hole.

NOTE: A smooth, even flow of dust from the hole indicates proper drilling rate.

Operation as a Screwdriver

Select the desired speed/torque range using the dual range gear shifter on the top of tool to match the speed and torque to the planned operation.

Insert the desired fastener accessory into the chuck as you would any drill bit. Make a few practice runs in scrap or unseen areas to determine the proper position of the clutch collar.

MAXIMUM RECOMMENDED CAPACITIES

	Low Range-1	High Range-2
Bits, Metal Drilling	6.00 mm	3.00 mm
Wood, Flat Boring	19.00 mm	12.00 mm
Hole Saws	19.00 mm	16.00 mm

MAINTENANCE

Your STANLEY power tool has been designed to operate over a long period of time with a minimum of maintenance. Continuous satisfactory operation depends upon proper tool care and regular cleaning.



WARNING: To reduce the risk of serious personal injury, place the forward/reverse button in the lock-off position or turn tool off and disconnect battery pack before making any adjustments or removing/installing attachments or accessories. An accidental start-up can cause injury.

The charger and battery pack are not serviceable. There are no serviceable parts inside.



Lubrication

Your power tool requires no additional lubrication.



Cleaning



WARNING: Blow dirt and dust out of the main housing with dry air as often as dirt is seen collecting in and around the air vents. Wear approved eye protection and approved dust mask when performing this procedure.



WARNING: Never use solvents or other harsh chemicals for cleaning the non-metallic parts of the tool. These chemicals may weaken the materials used in these parts. Use a cloth dampened only with water and mild soap.

Never let any liquid get inside the tool; never immerse any part of the tool into a liquid.

Charger Cleaning Instructions



WARNING! Shock hazard. Disconnect the charger from the AC outlet before cleaning. Dirt and grease may be removed from the exterior of the charger using a cloth or soft non-metallic brush. Do not use water or any cleaning solutions.

Optional Accessories



Warning! Since accessories, other than those offered by STANLEY have not been tested with this product, use of such accessories with this tool could be hazardous. To reduce the risk of injury, only STANLEY recommended accessories should be used with this product.

Consult your dealer for further information on the appropriate accessories.

PROTECTING THE ENVIRONMENT



Separate collection. This product must not be disposed of with normal household waste.

Should you find one day that your STANLEY product needs replacement, or if it is of no further use to you, do not dispose of it with household waste. Make this product available for separate collection.



Separate collection of used products and packaging allows materials to be recycled and used again. Re-use of recycled materials helps prevent environmental pollution and reduces the demand for raw materials.

Local regulations may provide for separate collection of electrical products from the household, at municipal waste sites or by the retailer when you purchase a new product.

BATTERIES



This long life battery pack must be recharged when it fails to produce sufficient power on jobs which were easily done before. At the end of its technical life, discard it with due care for our environment:

Run the battery down completely, then remove it from the tool.

- Li-Ion cells are recyclable. Take them to your dealer or a local recycling station. The collected battery packs will be recycled or disposed of properly.

REMARKS

Stanley's policy is one of continuous improvement to our products and as such, we reserve the right to modify product specifications without prior notice.

- Standard equipment and accessories may vary by country.
- Product specifications may differ by country.
- Complete product range may not be available in all countries. Contact your local Stanley dealers for range availability.

Technical data

		SCH12
Voltage	V _{DC}	10.8
No-load speed:		
1st gear	min ⁻¹	0-400
2nd gear	min ⁻¹	0-1500
Max torque	Nm	28
Chuck capacity	mm	10
Maximum drilling capacity:		
Wood	mm	20
Metal	mm	10
Masonry	mm	8
Charger		SC121
Input Voltage	V _{AC}	220-240
Output Voltage	V _{DC}	22
Output Current(DC)	A	1.25
Approx. charge time	min	70 (1,5 Ah)
Battery		SB12S
Voltage	V _{DC}	10.8
Capacity	Ah	1.5
Type		Li-Ion

LEVEL OF SOUND PRESSURE ACCORDING TO EN 60745:

Sound pressure (LpA) 65.0 dB(A), uncertainty (K) 3 dB(A)

Sound power (LWA) 76 dB(A), uncertainty (K) 3 dB(A)

VIBRATION TOTAL VALUES (TRIAx VECTOR SUM) ACCORDING TO EN 60745:

Drilling into metal (ah, D) 0.9 m/s², uncertainty (K) 1.5 m/s²

No load (ah, S) 1.1 m/s², uncertainty (K) 1.5 m/s²

VIBRATION

The declared vibration emission values stated in the technical data and the declaration of conformity have been measured in accordance with a standard test method provided by EN 60745 and may be used for comparing one tool with another. The declared vibration emission value may also be used in a preliminary assessment of exposure.

WARNING! The vibration emission value during actual use of the power tool can differ from the declared value depending on the ways in which the tool is used. The vibration level may increase above the level stated.

When vibration exposure to determine assessing safety measures required by 2002/44/EC to protect persons regularly using power tools in employment, an estimation of vibration exposure should consider, the actual conditions of use and the way the tool is used, including taking account of all parts of the operating cycle such as the times when the tool is switched off and when it is running idle in addition to the trigger time.

SERVICE INFORMATION

STANLEY offers a full network of company-owned and authorized service locations. All STANLEY Service Centers are staffed with trained personnel to provide customers with efficient and reliable power tool service. For more information about our authorized service centers and if you need technical advice, repair, or genuine factory replacement parts, contact the STANLEY location nearest you.

TWO YEARS WARRANTY

If your STANLEY product becomes defective due to faulty materials or workmanship within 24 months from the date of purchase, STANLEY guarantees to replace all defective parts free of charge or – at our discretion – replace the unit free of charge provided that:

- The product has not been misused and has been used in accordance with the instruction manual;
- The product has been subject to fair wear and tear;
- Repairs have not been attempted by unauthorized persons;
- Proof of purchase is produced;
- The STANLEY product is returned complete with all original components;
- The product hasn't been used for hire purposes.

If you wish to make a claim, contact your seller or check the location of your nearest authorised STANLEY repair agent in the STANLEY catalogue or contact your local STANLEY office at the address indicated in this manual. A list of authorised STANLEY repair agents and full details of our after sales service is available on the internet at: www.2helpU.com

EC declaration of conformity
MACHINERY DIRECTIVE



SCH12 - Hammer Drill

STANLEY declares that these products described under "technical data" are in compliance with: 2006/42/EC, EN 60745-1:2009 + A11:2010, EN 60745-2-1:2010. These products also comply with Directive 2004/108/EC (until 19/04/2016) 2014/30/EU (from 20/04/2016) and 2011/65/EU. For more information, please contact STANLEY at the following address or refer to the back of the manual.

The undersigned is responsible for compilation of the technical file and makes this declaration on behalf of STANLEY.

A handwritten signature in black ink, appearing to read 'R. Laverick', written over a light blue horizontal line.

R.Laverick
Engineering Manager
STANLEY , Europe, Egide Walschaertsstraat14-18,
2800 Mechelen, Belgium
01.2016

Назначение

Ваш ударная дрель Stanley SCH12 10,8 В Li-Ion предназначена для выполнения операций в лёгком режиме по сверлению и заворачиванию. Данный инструмент предназначен для профессионального использования.

Инструкции по технике безопасности

Общие правила безопасности при работе с электроинструментами



Внимание! Внимательно прочтите все инструкции по эксплуатации и руководство по безопасности.

Несоблюдение всех перечисленных ниже правил безопасности и инструкций может привести к поражению электрическим током, возникновению пожара и/или получению тяжелой травмы.

Сохраните все инструкции по безопасности и руководство по эксплуатации для их дальнейшего использования.

Термин «Электроинструмент» во всех приведенных ниже указаниях относится к Вашему сетевому (с кабелем) или аккумуляторному (беспроводному) электроинструменту.

1. Безопасность рабочего места

a. Содержите рабочее место в чистоте и обеспечьте хорошее освещение. Плохое освещение или беспорядок на рабочем месте может привести к несчастному случаю.

b. Не используйте электроинструменты, если есть опасность возгорания или взрыва, например, вблизи легко воспламеняющихся жидкостей, газов или пыли. В процессе работы электроинструмент создает искровые разряды, которые могут воспалить пыль или горючие пары.

c. Во время работы с электроинструментом не подпускайте близко детей или посторонних лиц. Отвлечение внимания может вызвать у Вас потерю контроля над рабочим процессом.

2. Электробезопасность

a. Вилка кабеля электроинструмента должна соответствовать штепсельной розетке. Ни в коем случае не видоизменяйте вилку электрического кабеля. Не используйте соединительные штепсели-переходники, если в силовом кабеле электроинструмента есть провод заземления. Использование оригинальной вилки кабеля и соответствующей ей штепсельной розетки уменьшает риск поражения электрическим током.

b. Во время работы с электроинструментом избегайте физического контакта с заземленными объектами, такими как трубопроводы, радиаторы отопления, электроплиты и холодильники. Риск поражения

электрическим током увеличивается, если Ваше тело заземлено.

c. Не используйте электроинструмент под дождем или во влажной среде. Попадание воды в электроинструмент увеличивает риск поражения электрическим током.

d. Бережно обращайтесь с электрическим кабелем. Ни в коем случае не используйте кабель для переноски электроинструмента или для вытягивания его вилки из штепсельной розетки. Не подвергайте электрический кабель воздействию высоких температур и смазочных веществ; держите его в стороне от острых кромок и движущихся частей инструмента. Поврежденный или запутанный кабель увеличивает риск поражения электрическим током.

e. При работе с электроинструментом на открытом воздухе используйте удлинительный кабель, предназначенный для наружных работ. Использование кабеля, пригодного для работы на открытом воздухе, снижает риск поражения электрическим током.

f. При необходимости работы с электроинструментом во влажной среде используйте источник питания, оборудованный устройством защитного отключения (УЗО). Использование УЗО снижает риск поражения электрическим током.

3. Личная безопасность

a. При работе с электроинструментами будьте внимательны, следите за тем, что Вы делаете, и руководствуйтесь здравым смыслом. Не используйте электроинструмент, если Вы устали, а также находясь под действием алкоголя или понижающих реакцию лекарственных препаратов и других средств. Малейшая неосторожность при работе с электроинструментами может привести к серьезной травме.

b. При работе используйте средства индивидуальной защиты. Всегда надевайте защитные очки. Своевременное использование защитного снаряжения, а именно: пылезастыной маски, ботинок на нескользящей подошве, защитного шлема или противощумовых наушников, значительно снизит риск получения травмы.

c. Не допускайте непреднамеренного запуска. Перед тем, как подключить электроинструмент к сети и/или аккумулятору, поднять или перенести его, убедитесь, что выключатель находится в положении «выключено». Не переносите электроинструмент с нажатой кнопкой выключателя и не подключайте к сетевой розетке электроинструмент, выключатель которого установлен в положение «включено», это может привести к несчастному случаю.

d. Перед включением электроинструмента снимите с него все регулировочные или гаечные ключи. Регулировочный или гаечный ключ, оставленный закрепленным на вращающейся части электроинструмента, может стать причиной тяжелой травмы.

е. Работайте в устойчивой позе. Всегда сохраняйте равновесие и устойчивую позу. Это позволит Вам не потерять контроль при работе с электроинструментом в непредвиденной ситуации.

ф. Одевайтесь соответствующим образом. Во время работы не надевайте свободную одежду или украшения. Следите за тем, чтобы Ваши волосы, одежда или перчатки находились в постоянном отдалении от движущихся частей инструмента. Свободная одежда, украшения или длинные волосы могут попасть в движущиеся части инструмента.

г. Если электроинструмент снабжен устройством сбора и удаления пыли, убедитесь, что данное устройство подключено и используется надлежащим образом. Использование устройства пылеудаления значительно снижает риск возникновения несчастного случая, связанного с запыленностью рабочего пространства.

4. Использование электроинструментов и технический уход

а. Не перегружайте электроинструмент. Используйте Ваш инструмент по назначению. Электроинструмент работает надежно и безопасно только при соблюдении параметров, указанных в его технических характеристиках.

в. Не используйте электроинструмент, если его выключатель не устанавливается в положение включения или выключения. Электроинструмент с неисправным выключателем представляет опасность и подлежит ремонту.

с. Отключайте электроинструмент от сетевой розетки и/или извлекайте аккумулятор перед регулированием, заменой принадлежностей или при хранении электроинструмента. Такие меры предосторожности снижают риск случайного включения электроинструмента.

д. Храните неиспользуемые электроинструменты в недоступном для детей месте и не позволяйте лицам, не знакомым с электроинструментом или данными инструкциями, работать с электроинструментом. Электроинструменты представляют опасность в руках неопытных пользователей.

е. Регулярно проверяйте исправность электроинструмента. Проверяйте точность совмещения и легкость перемещения подвижных частей, целостность деталей и любых других элементов электроинструмента, воздействующих на его работу. Не используйте неисправный электроинструмент, пока он не будет полностью отремонтирован. Большинство несчастных случаев являются следствием недостаточного технического ухода за электроинструментом.

ф. Следите за остротой заточки и чистой режущих принадлежностей. Принадлежности с острыми кромками позволяют избежать заклинивания и делают работу менее утомительной.

г. Используйте электроинструмент, аксессуары и насадки в соответствии с данным Руководством и с

учетом рабочих условий и характера будущей работы. Использование электроинструмента не по назначению может создать опасную ситуацию.

5. Использование аккумуляторных инструментов и технический уход

а. Заряжайте аккумулятор зарядным устройством указанной производителем марки. Зарядное устройство, которое подходит к одному типу аккумуляторов, может создать риск возгорания в случае его использования с аккумуляторами другого типа.

в. Используйте электроинструменты только с предназначенными для них аккумуляторами. Использование аккумулятора какой-либо другой марки может привести к возникновению пожара и получению травмы.

с. Держите не используемый аккумулятор подальше от металлических предметов, таких как скрепки, монеты, ключи, гвозди, шурупы, и других мелких металлических предметов, которые могут замкнуть контакты аккумулятора. Короткое замыкание контактов аккумулятора может привести к получению ожогов или возникновению пожара.

д. В критических ситуациях из аккумулятора может вытечь жидкость (электролит); избегайте контакта с кожей. Если жидкость попала на кожу, смойте ее водой. Если жидкость попала в глаза, обращайтесь за медицинской помощью. Жидкость, вытекшая из аккумулятора, может вызвать раздражение или ожоги.

6. Техническое обслуживание

а. Ремонт Вашего электроинструмента должен производиться только квалифицированными специалистами с использованием идентичных запасных частей. Это обеспечит безопасность Вашего электроинструмента в дальнейшей эксплуатации.

Дополнительные специальные правила безопасности при использовании дрелей/винтовёртов

• При сверлении с ударом всегда надевайте противошумовые наушники. Воздействие шума может привести к потере слуха.

• При работе пользуйтесь дополнительными рукоятками, если они прилагаются к инструменту. Потеря контроля над инструментом может привести к получению тяжёлой травмы.

Держите инструмент за изолированные ручки при выполнении операций, во время которых режущий инструмент может соприкоснуться со скрытой проводкой. Контакт насадки с находящимися под напряжением проводом делает не покрытые изоляцией металлические части электроинструмента также «живыми», что создаёт опасность поражения оператора электрическим током.

Остаточные риски

Несмотря на соблюдение соответствующих инструкций по технике безопасности и использование предохранительных

устройств, некоторые остаточные риски невозможно полностью исключить.

К ним относятся:

- Ухудшение слуха.
- Риск получения травмы от разлетающихся частиц.
- Риск получения ожогов от принадлежностей и насадок, которые в процессе работы сильно нагреваются.
- Риск получения травмы, связанный с продолжительным использованием инструмента.

Маркировка инструмента

Наравне с кодом даты на инструменте могут находиться следующие знаки:



Внимание! Полное ознакомление с руководством по эксплуатации снизит риск получения травмы.



Всегда работайте в защитных очках



Всегда используйте средства защиты слуха

Положение даты штрих-кода

Дата кода, который также включает год изготовления, печатается на корпусе.

Пример:

2015 XX JN
Год изготовления

Важные инструкции по безопасности для всех зарядных устройств

СОХРАНИТЕ ДАННЫЕ ИНСТРУКЦИИ: Данное руководство содержит важные инструкции по эксплуатации и технике безопасности для зарядного устройства SC121.

• Перед началом эксплуатации зарядного устройства прочитайте все инструкции и ознакомьтесь с предупредительными символами на зарядном устройстве, аккумуляторе и продукте, работающем от аккумулятора.



ВНИМАНИЕ: Опасность поражения электрическим током. Не допускайте попадания жидкости внутрь зарядного устройства. Это может привести к поражению электрическим током.



ПРЕДУПРЕЖДЕНИЕ: Опасность получения ожога. Для снижения риска получения травмы, заряжайте только перезаряжаемые аккумуляторы марки STANLEY. Аккумуляторы других марок могут взорваться, что приведёт к получению травмы или повреждению зарядного устройства.



ПРЕДУПРЕЖДЕНИЕ: Не позволяйте детям играть с электроинструментом.

ПРЕДУПРЕЖДЕНИЕ: В определенных условиях, когда зарядное устройство подключено к электросети, оно может быть закорочено посторонним материалом. Не

допускайте попадания токопроводящих материалов, таких как шлифовальная пыль, металлическая стружка, стальная проволока, алюминиевая фольга или слой металлических частиц и других подобных материалов в гнезда зарядного устройства. Всегда отключайте зарядное устройство от электросети, если в его гнезде нет аккумулятора. Отключайте зарядное устройство от электросети перед чисткой.

• **НЕ пытайтесь заряжать аккумулятор зарядными устройствами марок, не указанных в данном руководстве.** Зарядное устройство и аккумулятор специально разработаны для совместного использования.

• **Данные зарядные устройства не предусмотрены для зарядки аккумуляторов других марок, кроме STANLEY.** Попытка зарядить аккумулятор другой марки может привести к риску возникновения пожара, поражения электрическим током или смерти от электрического тока.

• **Не подвергайте зарядное устройство воздействию дождя или снега!**

• **Отключайте зарядное устройство от электросети, вынимая вилку из розетки, а не потянув за кабель!** Это снизит риск повреждения электрической вилки и кабеля.

• **Располагайте кабель таким образом, чтобы на него нельзя было наступить, споткнуться об него, или иным способом повредить или сильно натянуть!**

• **Используйте удлинительный кабель только в случае крайней необходимости!** Использование несоответствующего удлинительного кабеля может создать риск возникновения пожара, поражения электрическим током или смерти от электрического тока.

• **Не кладите на верхнюю часть зарядного устройства какой-либо предмет и не ставьте зарядное устройство на мягкую поверхность, это может блокировать вентиляционные прорези и вызвать чрезмерный внутренний нагрев!** Располагайте зарядное устройство вдали от источника тепла. Вентиляция зарядного устройства происходит через прорези, расположенные в верхней и нижней части его корпуса.

• **Не эксплуатируйте зарядное устройство, если его кабель или вилка повреждены** – сразу же заменяйте повреждённые детали.

• **Не эксплуатируйте зарядное устройство, если оно получило повреждение вследствие сильного удара или падения или иного внешнего воздействия!** Отнесите его в авторизованный сервисный центр.

• **Не разбирайте зарядное устройство самостоятельно; для проведения технического обслуживания или ремонта отнесите его в авторизованный сервисный центр.** Неправильная сборка может привести к риску поражения электрическим током или смерти от электрического тока.

• В случае повреждения электрического кабеля для предотвращения получения травмы он должен быть немедленно заменён производителем, его сервисным агентом или другим квалифицированным специалистом.

Русский язык (Перевод с оригинала инструкции)

• **Перед каждой операцией чистки отключайте зарядное устройство от электросети. Это снизит риск поражения электрическим током.** Извлечение аккумулятора из зарядного устройства не приводит к снижению этого риска.

• **НИКОГДА** не пытайтесь подключать 2 зарядных устройства одновременно!

• **Зарядное устройство рассчитано на работу от стандартной бытовой электросети. Не пытайтесь подключать его к источнику с другим напряжением.** Данное указание не относится к автомобильному зарядному устройству.

СОХРАНИТЕ ДАННЫЕ ИНСТРУКЦИИ

Зарядные устройства

Зарядные устройства SC121 предназначены для зарядки аккумуляторов напряжением 10.8 В.

Данные зарядные устройства не требуют регулировки и являются наиболее простыми в эксплуатации.

Процедура зарядки (Рис. В)

1. Перед тем как вставить аккумулятор, подключите вилку зарядного устройства (10) к соответствующей сетевой розетке.







2. Вставьте аккумулятор (7) в зарядное устройство. Красный индикатор зарядки начнёт непрерывно мигать, указывая на начало процесса зарядки.

3. После завершения зарядки красный индикатор переходит в режим непрерывного свечения. Аккумулятор полностью заряжен, и его можно использовать с инструментом или оставить в зарядном устройстве.

ПРИМЕЧАНИЕ: Для достижения максимальной производительности и продления срока службы Li-Ion аккумуляторов, перед первым использованием полностью зарядите аккумулятор.

Процесс зарядки

Состояние заряда аккумулятора смотрите в приведённой ниже таблице:

Состояние заряда	
 зарядка	
 полностью заряжен	
 пауза для согревания/охлаждения аккумулятора	

ПАУЗА ДЛЯ СОГРЕВАНИЯ/ОХЛАЖДЕНИЯ АККУМУЛЯТОРА

Если зарядное устройство определит, что аккумулятор чрезмерно перегрет, оно автоматически остановит зарядку, пока аккумулятор не охладится.

Если зарядное устройство определит, что аккумулятор чрезмерно охлаждён, оно автоматически остановит зарядку, пока аккумулятор не согреется.

Красный индикатор зарядки будет продолжать мигать, тогда как жёлтый индикатор загорится только во время паузы для согревания/охлаждения аккумулятора. Как только аккумулятор охладится, жёлтый индикатор погаснет, и зарядное устройство продолжит процесс зарядки аккумулятора.

Электронная защитная система

Аккумуляторы Li-Ion спроектированы по Электронной Защитной Системе, которая защищает аккумулятор от перегрузки, перегрева или глубокой разрядки.

При срабатывании Электронной Защитной Системы инструмент автоматически отключится. Если это произошло, поместите Li-Ion аккумулятор в зарядное устройство до его полной зарядки.

Важные инструкции по безопасности для всех аккумуляторов

При заказе аккумуляторов для замены, не забывайте указывать их номер по каталогу и напряжение.

Извлечённый из упаковки аккумулятор заряжен не полностью. Перед началом эксплуатации аккумулятора и зарядного устройства, прочтите нижеследующие инструкции по безопасности. Затем приступайте к установленной процедуре зарядки.

ПРОЧТИТЕ ВСЕ ИНСТРУКЦИИ


• **Не заряжайте и не используйте аккумулятор во взрывоопасной атмосфере, например, в присутствии легко воспламеняющихся жидкостей, газов или пыли.** При установке или извлечении аккумулятора из зарядного устройства пыль или газы могут воспламениться.

• **Не вставляйте аккумулятор в зарядное устройство силой. Ником образом не видоизменяйте аккумулятор для установки в не предназначенное для него зарядное устройство – аккумулятор может расколоться, что приведёт к получению тяжёлой телесной травмы.**

• Заряжайте аккумуляторы только зарядными устройствами STANLEY.

• **НЕ брызгайте** и не погружайте в воду или другие жидкости.

• **Не храните и не используйте инструмент и аккумулятор в местах, в которых температура может достичь или превысить 40 °C (например, наружные навесы или строения из металла в летнее время).**

 **ВНИМАНИЕ:** Ни в коем случае не пытайтесь разобрать аккумулятор. Не вставляйте в зарядное устройство аккумулятор с треснутым или повреждённым корпусом. Не разбивайте, не бросайте и не ломайте аккумулятор. Не используйте аккумуляторы или зарядные устройства, которые подверглись воздействию резкого удара, удара при падении, попали под тяжёлый предмет или были повреждены каким-либо другим образом (например, проткнуты гвоздём, попали под удар молотка или под ноги). Это может привести к поражению электрическим током или смерти от электрического тока. Повреждённые

аккумуляторы должны возвращаться в сервисный центр на переработку.



ПРЕДУПРЕЖДЕНИЕ: Кладите не используемый инструмент набор на устойчивую поверхность в месте, в котором он не создаёт опасность, что об него могут споткнуться и упасть. Некоторые инструменты с аккумуляторами больших размеров ставятся на аккумулятор в вертикальном положении, но их легко опрокинуть.

СПЕЦИАЛЬНЫЕ ИНСТРУКЦИИ ПО БЕЗОПАСНОСТИ ДЛЯ ИОННО-ЛИТИЕВЫХ (Li-ION) АККУМУЛЯТОРОВ

- Не сжигайте аккумулятор, даже если он сильно повреждён или полностью изношен. Аккумулятор в огне может взорваться. При горении ионно-литиевых аккумуляторов выделяются токсичные пары и частицы.
- Если содержимое аккумулятора попало на кожу, немедленно промойте поражённый участок водой с мягким мылом. Если аккумуляторная жидкость попала в глаз, промойте открытый глаз в течение 15 минут, пока не исчезнет раздражение. Если необходимо обратиться за медицинской помощью, медиков следует поставить в известность, что аккумуляторный электролит состоит из смеси жидкого органического карбоната и солей лития.
- Содержимое открытых элементов аккумулятора может вызывать раздражение органов дыхания. Обеспечьте приток свежего воздуха. Если симптомы сохраняются, обратитесь за медицинской помощью.



ВНИМАНИЕ: Опасность получения ожога. Аккумуляторная жидкость может воспламениться при попадании искры или пламени.

Транспортировка

Аккумуляторы STANLEY соответствуют всем применимым правилам транспортировки, прописанным производителем, а также национальным стандартам, включающим в себя Рекомендации ООН по перевозке опасных грузов; правила международной ассоциации воздушного транспорта (IATA) по перевозке опасных грузов, правила международного морского кодекса по опасным грузам (IMDG) и Европейское соглашение о перевозке опасных грузов автотранспортом (ADR). Каждый ионно-литиевый элемент или аккумулятор протестирован в соответствии с требованиями к испытаниям, указанными в подразделе 38.3 части по испытаниям и критериям Рекомендаций ООН по перевозке опасных грузов.

В большинстве случаев, перевозимый аккумулятор STANLEY освобождается от необходимости быть классифицированным, поскольку является материалом 9 класса опасности. Принадлежность к 9 классу опасности учитывается только в двух случаях:

1. Авиаперевозка более чем двух ионно-литиевых аккумуляторов STANLEY при наличии в упаковке только аккумуляторов (без инструментов), и
2. Любой вид перевозки ионно-литиевых аккумуляторов с удельной мощностью, превышающей 100 ватт-часов (Втч).

Удельная мощность в ватт-часах указана на корпусе ионно-литиевого аккумулятора.

Вне зависимости от условий перевозки в обязанности грузоотправителя входит уточнение и получение информации о последних действующих правилах упаковки, маркировки и требований к документации.

Во время перевозки аккумуляторов существует риск возгорания при случайном контакте клемм аккумулятора с токопроводящими материалами. При перевозке аккумуляторов убедитесь, что клеммы аккумулятора защищены и надёжно изолированы от любых материалов, контакт с которыми способен вызвать короткое замыкание.

Информация данного раздела руководства по эксплуатации была предоставлена добровольно и на момент создания документа является полностью достоверной. Однако не было дано никаких гарантий - явно выраженных или подразумеваемых. Деятельность в соответствии с правилами и нормами полностью является ответственностью покупателя.

Аккумулятор

ТИП АККУМУЛЯТОРА

SCH12 заряжает аккумуляторы напряжением 10.8 В.

Рекомендации по хранению

1. Оптимальным местом для хранения является холодное и сухое место, вдали от прямых солнечных лучей и источников избыточного тепла или холода. Для увеличения производительности и срока службы, храните не используемые аккумуляторы при комнатной температуре.
2. Для обеспечения долгого срока службы аккумуляторов, при длительном хранении рекомендуется убирать полностью заряженные аккумуляторы в сухое прохладное место вдали от зарядного устройства.

ПРИМЕЧАНИЕ: Не убирайте на хранение полностью разряженные аккумуляторы. Перед использованием аккумулятор потребует зарядить.

Символы на зарядном устройстве и аккумуляторе

В дополнение к пиктограммам, содержащимся в данном руководстве по эксплуатации, на зарядном устройстве и аккумуляторе имеются символы, которые отображают следующее:



Перед использованием внимательно прочтите данное руководство по эксплуатации.



Время зарядки см. в разделе «Технические характеристики». Аккумулятор заряжается.



Аккумулятор заряжен.



Аккумулятор неисправен.



Пауза для согревания/охлаждения аккумулятора.



Не касайтесь токопроводящими предметами контактов аккумулятора и зарядного устройства.



Ни в коем случае не пытайтесь заряжать повреждённый аккумулятор!



Не погружайте аккумулятор в воду.



Немедленно заменяйте повреждённый сетевой кабель.



Заряжайте аккумулятор при температуре окружающей среды в пределах 4°C-40°C.



Для использования только внутри помещений.



Утилизируйте отработанный аккумулятор безопасным для окружающей среды способом!



Заряжайте аккумуляторы STANLEY только зарядными устройствами STANLEY. Зарядка аккумуляторов других марок зарядными устройствами STANLEY может привести к протечке или взрыву аккумулятора и другим опасным ситуациям.



Не бросайте аккумулятор в огонь.

Комплект поставки

В упаковку входят:

- 1 Ударная дрель
- 1 Зарядное устройство
- 2 Аккумулятора (C2) или 1 аккумулятор (C1)
- 1 Руководство по эксплуатации

ПРИМЕЧАНИЕ: Аккумуляторы и зарядные устройства не входят в комплект поставки моделей N.

- Проверьте инструмент, детали и дополнительные приспособления на наличие повреждений, которые могли произойти во время транспортировки.
- Перед началом работы необходимо внимательно прочитать настоящее руководство и принять к сведению содержащуюся в нем информацию.

ОПИСАНИЕ (Рис. А)

1. Курковый пусковой выключатель
2. Переключатель направления вращения (реверса)
3. Муфта установки крутящего момента
4. Переключатель скоростей
5. Быстрозажимной патрон
6. Отпирающая кнопка аккумулятора
7. Аккумулятор
8. Светодиодная подсветка
9. Муфта выбора режима работы

НАЗНАЧЕНИЕ

Данная ударная дрель предназначена для выполнения операций в лёгком режиме по сверлению и заворачиванию.

НЕ ИСПОЛЬЗУЙТЕ инструмент во влажных условиях или при наличии в окружающем пространстве легко воспламеняющихся жидкостей или газов.

Данная ударная дрель является профессиональным электроинструментом.

НЕ РАЗРЕШАЙТЕ детям прикасаться к инструменту. Неопытные пользователи всегда должны работать под наблюдением.

*Данное изделие не может использоваться людьми (включая детей) со сниженными физическими, сенсорными и умственными способностями или при отсутствии необходимого опыта или навыка, за исключением, если они выполняют работу под присмотром лица, отвечающего за их безопасность. Не оставляйте детей с инструментом без присмотра.

Электробезопасность



Электрический двигатель рассчитан на работу только при одном напряжении электросети. Всегда следите, чтобы напряжение аккумулятора соответствовало напряжению, обозначенному на паспортной табличке электроинструмента. Также убедитесь, что напряжение Вашего зарядного устройства соответствует напряжению электросети.

Ваше зарядное устройство STANLEY имеет двойную изоляцию в соответствии со стандартом EN 60335, что исключает потребность в заземляющем проводе.

Повреждённый кабель должен заменяться специально подготовленным кабелем, который можно получить в сервисном центре STANLEY.

Использование удлинительного кабеля

Используйте удлинительный кабель только в случае крайней необходимости! Всегда используйте удлинительный кабель установленного образца, соответствующий входной мощности Вашего зарядного устройства (см. раздел «Технические характеристики»). Минимальный размер проводника должен составлять 1 мм²; максимальная длина кабеля не должна превышать 30 м.

При использовании кабельного барабана, всегда полностью разматывайте кабель.

Сборка и регулировка



ВНИМАНИЕ: Перед сборкой и регулировкой инструмента всегда извлекайте аккумулятор. Перед установкой или снятием аккумулятора всегда выключайте инструмент.



ВНИМАНИЕ: Используйте аккумуляторы и зарядные устройства только марки STANLEY.

Установка и извлечение аккумулятора (Рис. С)



ВНИМАНИЕ: Для снижения риска получения тяжёлой травмы, устанавливайте переключатель направления движения в положение блокировки или выключайте инструмент и извлекайте аккумулятор перед каждой операцией регулировки или снятием/установкой принадлежностей или насадок. Непреднамеренный запуск инструмента может привести к получению травмы.

ПРИМЕЧАНИЕ: Убедитесь, что аккумулятор (7) полностью заряжен.

ДЛЯ УСТАНОВКИ АККУМУЛЯТОРА В РУКОЯТКУ ИНСТРУМЕНТА

1. Совместите аккумулятор с бороздками внутри рукоятки инструмента.

2. Вдвигайте аккумулятор в рукоятку, пока не услышите, что замок защёлкнулся на месте.

ДЛЯ ИЗВЛЕЧЕНИЯ АККУМУЛЯТОРА ИЗ ИНСТРУМЕНТА

1. Нажмите на отпирающую кнопку (6) и извлеките аккумулятор из рукоятки инструмента.

2. Вставьте аккумулятор в зарядное устройство, как описано в разделе «Зарядное устройство» данного руководства.

Инструкции по эксплуатации

Правила безопасности и инструкции: Дрели



ВНИМАНИЕ: Всегда следуйте указаниям действующих норм и правил безопасности.



ВНИМАНИЕ: Для снижения риска получения тяжёлой травмы, устанавливайте переключатель направления движения в положение блокировки или выключайте инструмент и извлекайте аккумулятор перед каждой операцией регулировки или снятием/установкой принадлежностей или насадок.

Правильное положение рук во время работы (Рис. А, Н)



ВНИМАНИЕ: Для уменьшения риска получения тяжёлой травмы, **ВСЕГДА** правильно удерживайте электроинструмент, как показано на рисунке.



ВНИМАНИЕ: Для уменьшения риска получения тяжёлой травмы, **ВСЕГДА** надёжно удерживайте инструмент, предупреждая внезапные сбои в работе.

Правильное положение рук во время работы: одной рукой удерживайте основную рукоятку (9).

Курковый пусковой выключатель (Рис. А)

Чтобы включить инструмент, нажмите на курковый пусковой выключатель (1). Для выключения инструмента отпустите курковый выключатель. Ваш инструмент оборудован тормозом. Патрон остановится только после того как курковый выключатель будет полностью отпущен.

Встроенный переключатель скорости позволяет выбрать наиболее подходящую скорость для каждой отдельной операции. Увеличение скорости регулируется

интенсивностью нажатия на курковый выключатель. В целях продления срока службы Вашего инструмента используйте максимальную скорость только на начальном этапе высверливания отверстий или заворачивания крепёжных элементов.

ПРИМЕЧАНИЕ: Не рекомендуется непрерывно использовать инструмент во всём диапазоне скоростей. Это может привести к повреждению пускового выключателя.

Переключатель направления вращения (реверса) (Рис. А)

• Переключатель направления вращения (2) устанавливает направление вращения инструмента, а также служит кнопкой блокировки.

• Для установки вращения вперёд, отпустите курковый выключатель и нажмите на переключатель направления вращения с правой стороны инструмента.

• Для установки реверса, нажмите на переключатель направления вращения с левой стороны инструмента.

• Кнопка переключателя, установленная в среднее положение, блокирует инструмент в состоянии «выключено». При изменении положения кнопки переключателя не забывайте отпускать курковый выключатель.

ПРИМЕЧАНИЕ: При первом включении инструмента после изменения направления вращения Вы можете услышать щелчок в момент запуска. Это нормально и не указывает на наличие какой-либо проблемы.

Светодиодная подсветка

Под муфтой установки крутящего момента (3) расположена светодиодная подсветка (8). Подсветка загорается при нажатии на курковый пусковой выключатель.

Примечание: Подсветка служит для освещения рабочей поверхности и не предназначена для использования в качестве фонарика.

Муфта установки крутящего момента (Рис. А, D)

Поверните муфту выбора режима работы (9) и установите её на символ винта. На муфту установки крутящего момента (3) нанесены цифры. Вращайте муфту до установки нужного значения в верхней части инструмента. На муфте предусмотрены указатели в целях предотвращения неточностей при выборе крутящего момента. Чем выше цифра на муфте, тем выше крутящий момент и тем больше размер крепёжной детали, которую можно завернуть. Для блокировки муфты в режиме сверления передвиньте муфту выбора режима работы (9) на позицию сверла.

ПРИМЕЧАНИЕ: При использовании ударной дрели для высверливания отверстий убедитесь, что муфта выбора режима работы расположена таким образом, чтобы символ сверла был выровнен по центральной линии в верхней части инструмента. В противном случае, при начале сверления муфта будет двигаться.

Переключатель скоростей (Рис. А, D)

2-х скоростной редуктор Вашего инструмента позволяет легко переключаться с одной скорости на другую для максимальной универсальности применения инструмента.

Для установки низкой скорости/высокого крутящего момента выключите инструмент и дождитесь его полной остановки. Переведите переключатель скоростей (4) вперёд (в направлении патрона). Для установки высокой скорости/низкого крутящего момента выключите инструмент и дождитесь его полной остановки. Переведите переключатель скоростей (4) назад (в направлении от патрона).

Примечание: Не переключайте скорость при работающем инструменте. Если у Вас возникли проблемы при переключении скоростей, убедитесь, что переключатель скоростей полностью переведён вперёд или назад.

Быстрозажимной патрон (Рис. E)

Ваш инструмент оборудован быстрозажимным патроном с одной поворотной муфтой для легкой и быстрой смены насадок одной рукой. Чтобы вставить сверло или другую насадку, выполните следующие шаги:

1. Заблокируйте курковый пусковой выключатель в положение ВЫКЛ., как было описано выше.
2. Обхватите заднюю часть муфты патрона одной рукой, а другой рукой удерживайте инструмент. Поворачивайте муфту в направлении против часовой стрелки, пока она не сдвинется на расстояние, позволяющее вставить нужную насадку.
3. Вставьте насадку в патрон на глубину приблизительно 19 мм и надёжно затяните, поворачивая муфту патрона по часовой стрелке одной рукой и удерживая инструмент другой рукой. Ваш инструмент оборудован механизмом автоматической блокировки шпинделя. Данный механизм позволяет открывать и затягивать патрон одной рукой.

Чтобы извлечь насадку, повторите шаг 2.



ВНИМАНИЕ: Не пытайтесь закрепить сверло (или какую-либо другую насадку), захватив переднюю часть патрона и одновременно включив инструмент. Это может привести к повреждению патрона и получению травмы. При смене насадок всегда блокируйте курковый выключатель в выключенном положении.

Для надёжной фиксации насадки всегда затягивайте патрон, поворачивая муфту одной рукой и удерживая инструмент другой рукой.

Снятие патрона (Рис. F)

Поверните муфту установки крутящего момента на позицию сверла, а переключатель скоростей в положение 1 (низкая скорость). Зажмите в патроне короткий конец шестигранного ключа (не входит в комплект поставки инструмента) диаметром 6,35 мм (1/4") или более. Деревянным молотком или похожим предметом ударяйте по длинному концу ключа, поворачивая его по часовой стрелке, как показано на рисунке. Таким образом, будет ослаблен винт внутри патрона.

Полностью раскройте кулачки патрона и вставьте отвёртку (или звездообразную насадку, если требуется) в переднюю часть патрона между кулачками, достигая головки винта. Открутите винт по часовой стрелке (левая резьба) и извлеките его из патрона. Вставьте в патрон шестигранный ключ и затяните, как показано на Рисунке F. Деревянным молотком или похожим предметом ударяйте по ключу, поворачивая его против часовой стрелки. Ослабив, таким образом, патрон, отвинтите его вручную.

Установка патрона (Рис. G)

Навинтите патрон вручную настолько возможно и вставьте винт (с левой резьбой). Затяните винт с усилием. Зажмите в патроне короткий конец шестигранного ключа диаметром 6,36 мм (1/4") или более (не входит в комплект поставки инструмента) и деревянным молотком ударяйте по длинному концу ключа, поворачивая его по часовой стрелке, как показано на рисунке. Снова затяните винт, поворачивая его в направлении против часовой стрелки.

Сверление

ВНИМАНИЕ: Для снижения риска получения тяжёлой травмы, перед регулировкой или снятием/установкой дополнительных принадлежностей или насадок выключайте инструмент и отсоединяйте его от электросети.

ВНИМАНИЕ: Для снижения риска получения травмы **ВСЕГДА** надёжно закрепляйте заготовку. При сверлении тонких материалов, для предотвращения их повреждения подкладывайте деревянный брусок.

Поверните муфту и установите её на символ сверла. При помощи переключателя скоростей (e) установите скорость и крутящий момент, оптимальные для выполнения задания.

- Всегда используйте только остро заточенные сверла. Для сверления в ДЕРЕВЕ используйте спиральные сверла, первые сверла или цифенборы. Для сверления в МЕТАЛЛЕ используйте высокоскоростные спиральные сверла из стали или цифенборы.

- Всегда прикладывайте давление по прямой линии со сверлом. Давление должно быть достаточным для равномерного врезания сверла, но не слишком большим, чтобы не вызвать останов двигателя или отклонение сверла.

- Крепко держите инструмент обеими руками, чтобы контролировать вращательное действие сверла.



ВНИМАНИЕ: В случае перегрузки в результате внезапного закручивания сверла дрель может остановиться. Всегда определяйте причину останова. Крепко держите инструмент обеими руками, чтобы контролировать вращательное действие сверла и избежать получения травмы.

- **ОСТАНОВ ДРЕЛИ** обычно происходит в результате перегрузки инструмента или неправильного использования. **СРАЗУ ЖЕ ОТПУСТИТЕ ВЫКЛЮЧАТЕЛЬ**, извлеките сверло из заготовки и определите причину останова. **НЕ ПЫТАЙТЕСЬ ВНЕЗАПНО ОСТАНОВИВШИЙСЯ ДВИГАТЕЛЬ**,

НАЖИМАЯ НА КЛАВИШУ ПУСКОВОГО ВЫКЛЮЧАТЕЛЯ – ИНСТРУМЕНТ МОЖЕТ ВЫЙТИ ИЗ СТРОЯ.

• Для сведения к минимуму риска внезапного останова инструмента или повреждения обрабатываемого материала, уменьшите давление на дрель и осторожно высверливайте последнюю часть отверстия.

• Не выключайте двигатель при извлечении сверла из высверленного отверстия. Это позволит избежать заклинивания сверла.

• При использовании регулировки скорости нет необходимости предварительно прокернить высверливаемое отверстие. Начиная сверление, используйте низкую скорость и путем нажатия на курковый выключатель постепенно увеличивайте скорость, пока отверстие не будет достаточно глубоким, чтобы сверло из него не выскочило.

Использование Ударная дрель (РИС. D)

1. Поверните кольцо (3) к символу ударной дрели.
2. Выберите настройку большого количества оборотов, сдвинув переключатель вперед (к зажимному патрону). Важно: Используйте сверла только с твердосплавным наконечником или с тонкостенной алмазной коронкой.
3. При сверлении прикладывайте ровно столько усилия, сколько необходимо, чтобы избежать чрезмерной отдачи инструмента или «отрыва» сверла от материала. Слишком большое усилие приведет к уменьшению количества оборотов, перегреву инструмента и снижению производительности сверления.
4. Сверлить необходимо перпендикулярно к рабочей поверхности. Не прикладывайте боковое усилие к сверлу во время сверления, так как это приведет к засорению канавок сверла и замедлению сверления.
5. Если при сверлении глубоких отверстий скорость ударной дрели начинает падать, не выключая инструмент частично извлеките сверло из отверстия, чтобы удалить из него отходы сверления.

ПРИМЕЧАНИЕ: Плавный и равномерный поток пыли из отверстия указывает на правильно выбранную скорость сверления.

Использование шуруповёрта

При помощи переключателя скоростей, расположенного в верхней части инструмента, установите скорость и крутящий момент, оптимальные для выполнения задания.

Вставьте в патрон отвёрточную насадку таким же способом, как и сверло. Выполните несколько пробных заворачиваний в обрезке материала или на скрытом участке, чтобы определить правильную позицию муфты установки крутящего момента.

РЕКОМЕНДОВАННЫЕ ПАРАМЕТРЫ

	Низкая скорость- 1	Высокая скорость- 2
Насадки, сверление в металле	6.00 mm	3.00 mm
Древесина, плоское сверление	19.00 mm	12.00 mm
Цифенборы	19.00 mm	16.00 mm

ТЕХНИЧЕСКОЕ ОБСЛУЖИВАНИЕ

Ваш электроинструмент STANLEY рассчитан на работу в течение продолжительного времени при минимальном техническом обслуживании. Срок службы и надёжность инструмента увеличивается при правильном уходе и регулярной чистке.



ВНИМАНИЕ: Для снижения риска получения тяжелой травмы, устанавливайте переключатель направления движения в положение блокировки или выключайте инструмент и извлекайте аккумулятор перед каждой операцией регулировки или снятием/установкой принадлежностей или насадок. Непреднамеренный запуск инструмента может привести к получению травмы.

Зарядное устройство и аккумулятор не требуют технического обслуживания. Внутри нет обслуживаемых пользователем деталей.



Смазка

Ваш электроинструмент не требует дополнительной смазки.



Чистка



ВНИМАНИЕ: Выдувайте грязь и пыль из корпуса сухим сжатым воздухом по мере видимого скопления грязи внутри и вокруг вентиляционных отверстий. Выполняйте данную процедуру, надев средство защиты глаз и респиратор утвержденного типа.



ВНИМАНИЕ: Никогда не используйте растворители или другие агрессивные химические средства для очистки неметаллических деталей инструмента. Эти химикаты могут ухудшить свойства материалов, применённых в данных деталях. Используйте ткань, смоченную в воде с мягким мылом. Не допускайте попадания какой-либо жидкости внутрь инструмента; ни в коем случае не погружайте какую-либо часть инструмента в жидкость.

Инструкции по чистке зарядного устройства



ВНИМАНИЕ: Опасность поражения электрическим током. Перед чисткой отключите зарядное устройство от розетки сети переменного тока. Грязь и масло можно удалять с наружной поверхности зарядного устройства с помощью ткани или мягкой неметаллической щётки. Не используйте воду или любой чистящий раствор.

Дополнительные принадлежности




Внимание! Поскольку принадлежности, отличные от тех, которые предлагает STANLEY, не


проходили тесты на данном изделии, то использование этих принадлежностей может привести к опасной ситуации. Во избежание риска получения травмы, с данным продуктом должны использоваться только дополнительные принадлежности, рекомендованные STANLEY.

По вопросу приобретения дополнительных принадлежностей обращайтесь к Вашему дилеру.

ЗАЩИТА ОКРУЖАЮЩЕЙ СРЕДЫ


 Раздельный сбор. Данное изделие нельзя утилизировать вместе с обычными бытовыми отходами.

Если однажды Вы захотите заменить Ваше изделие STANLEY или Вы больше в нём не нуждаетесь, не выбрасывайте его вместе с бытовыми отходами. Отнесите изделие в специальный приёмный пункт.

 Раздельный сбор изделий с истекшим сроком службы и их упаковок позволяет пускать их в переработку и повторно использовать. Использование переработанных материалов помогает защищать окружающую среду от загрязнения и снижает расход сырьевых материалов.

Местное законодательство может обеспечить сбор старых электроинструментов отдельно от бытового мусора на муниципальных свалках отходов, или Вы можете сдавать их в торговом предприятии при покупке нового изделия.

Аккумуляторы

 Данный аккумулятор с длительным сроком службы следует подзаряжать, если он не обеспечивает достаточную мощность для работ, которые ранее выполнялись легко и быстро. Утилизируйте отработанный аккумулятор безопасным для окружающей среды способом.

- Полностью разрядите аккумулятор, затем извлеките его из инструмента.
- Ионно-литиевые элементы подлежат переработке. Сдайте их Вашему дилеру или в местный пункт переработки. Собранные аккумуляторы будут переработаны или утилизированы безопасным для окружающей среды способом.

ПРИМЕЧАНИЯ

Политика Stanley нацелена на постоянное усовершенствование нашей продукции, поэтому фирма оставляет за собой право изменять технические характеристики изделий без предварительного уведомления.

- Стандартное оборудование и дополнительные принадлежности могут меняться в зависимости от страны продаж.
- Технические характеристики продуктов могут различаться в зависимости от страны продаж.
- Полная линия продуктов присутствует на рынках не всех стран. Для получения информации касательно линии продуктов в Вашей стране обратитесь в ближайший сервисный центр Stanley.

Технические характеристики

		SCH12
Напряжение	Впост. Тока	10.8
Число оборотов без нагрузки		
1-я скорость	об/мин.	0–400
2-я скорость	об/мин.	0–1500
Максимальный крутящий момент	Нм	28
Патрон	мм	10
Максимальный диаметр сверления:		
Древесина	мм	20
Металл	мм	10
бетон	мм	8
Зарядное устройство		SC121
Напряжение питания	Вперем. Тока	220-240
Выходное напряжение	Впост. Тока	22
Ток	А	1.25
Время зарядки	мин	70 (1.5Ah)
Аккумулятор		SB12S
Напряжение	Впост. Тока	10.8
Емкость	Ач	1.5
Тип		Li-Ion

Информация по техническому обслуживанию

STANLEY имеет обширную сеть принадлежащих компании и авторизованных сервисных центров. В целях предоставления клиентам эффективного и надёжного технического обслуживания электроинструментов во всех сервисных центрах STANLEY работает обученный персонал. За дополнительной информацией о наших авторизованных сервисных центрах, а также, если Вы нуждаетесь в технической консультации, ремонте или покупке оригинальных запасных частей, обратитесь в ближайший к Вам сервисный центр STANLEY.

STANLEY

Гарантийные условия

Уважаемый покупатель!

1. Поздравляем Вас с покупкой высококачественного изделия STANLEY и выражаем признательность за Ваш выбор.
2. При покупке изделия требуйте проверки его комплектности и исправности в Вашем присутствии, инструкцию по эксплуатации и заполненный гарантийный талон на русском языке.

В гарантийном талоне должны быть внесены: модель, дата продажи, серийный номер, дата производства инструмента; название, печать и подпись торговой организации. При отсутствии у Вас правильно заполненного гарантийного талона, а также несоответствия указанных в нем данных мы будем вынуждены отклонить Ваши претензии по качеству данного изделия.

3. Во избежание недоразумений убедительно просим Вас перед началом работы с изделием внимательно ознакомиться с инструкцией по его эксплуатации. Правовой основой настоящих гарантийных условий является действующее Законодательство. Гарантийный срок на данное изделие составляет 24 месяца и исчисляется со дня продажи. В случае устранения недостатков изделия, гарантийный срок продлевается на период его нахождения в ремонте. Срок службы изделия составляет 5 лет со дня продажи.
4. В случае возникновения каких-либо проблем в процессе эксплуатации изделия рекомендуем Вам обращаться только в уполномоченные сервисные центры STANLEY, адреса и телефоны которых Вы сможете найти в гарантийном талоне, на сайте www.2helpU.com или узнать в магазине. Наши сервисные станции - это не только квалифицированный ремонт, но и широкий ассортимент запчастей и принадлежностей.
5. Производитель рекомендует проводить периодическую проверку и техническое обслуживание изделия в уполномоченных сервисных центрах.



Изготовитель
Блэк энд Деккер Холдингс ГмбХ
Германия, 65510, Идштайн,
ул. Блэк энд Деккер, 40

6. Наши гарантийные обязательства распространяются только на неисправности, выявленные в течение гарантийного срока и вызванные дефектами производства и \ или материалов.
7. **Гарантийные условия не распространяются на неисправности изделия, возникшие в результате:**
 - 7.1. Несоблюдения пользователем предписаний инструкции по эксплуатации изделия, применения изделия не по назначению, неправильном хранении, использования принадлежностей, расходных материалов и запчастей, не предусмотренных производителем.
 - 7.2. Механического повреждения (сколы, трещины и разрушения) внутренних и внешних деталей изделия, основных и вспомогательных рукояток, сетевого электрического кабеля, вызванного внешним ударным или любым иным воздействием
 - 7.3. Попадания в вентиляционные отверстия и проникновение внутрь изделия посторонних предметов, материалов или веществ, не являющихся отходами, сопровождающими применение изделия по назначению, такими как: стружка, опилки, песок, и пр.
 - 7.4. Воздействий на изделие неблагоприятных атмосферных и иных внешних факторов, таких как дождь, снег, повышенная влажность, нагрев, агрессивные среды, несоответствие параметров питающей электросети, указанных на инструменте.
 - 7.5. Стихийного бедствия. Повреждение или утрата изделия, связанное с непредвиденными бедствиями, стихийными явлениями, в том числе вследствие действия непреодолимой силы (пожар, молния, потоп и другие природные явления), а так же вследствие перепадов напряжения в электросети и другими причинами, которые находятся вне контроля производителя.
8. **Гарантийные условия не распространяются:**
 - 8.1. На инструменты, подвергавшиеся вскрытию, ремонту или модификации вне уполномоченного сервисного центра.
 - 8.2. На детали и узлы, имеющие следы естественного износа, такие как: приводные ремни и колеса, угольные щетки, смазка, подшипники, зубчатое зацепление редукторов, резиновые уплотнения, сальники, направляющие ролики, муфты, выключатели, бойки, толкатели, стволы, и т.п.
 - 8.3. На сменные части: патроны, цанги, зажимные гайки и фланцы, фильтры, аккумуляторные батареи, ножи, шлифовальные подошвы, цепи, звездочки, пильные шины, защитные кожухи, пилки, абразивы, пильные и абразивные диски, фрезы, сверла, буры и т.п.
 - 8.4. На неисправности, возникшие в результате перегрузки инструмента (как механической, так и электрической), повлекшей выход из строя одновременно двух и более деталей и узлов, таких как: ротора и статора, обеих обмоток статора, ведомой и ведущей шестерни редуктора или других узлов и деталей. К безусловным признакам перегрузки изделия относятся, помимо прочих: появление цветов побежалости, деформация или оплавление деталей и узлов изделия, потемнение или обугливание изоляции проводов электродвигателя под воздействием высокой температуры.

Призначення інструменту

Ваш Stanley SCH12 10.8 Li-Ion ударний дріль розроблений для легких кріпильних робіт і операцій з свердління. Цей інструмент призначений для професійного використання.

Інструкції з техніки безпеки

Загальні правила безпеки для електричного інструменту



Попередження! Прочитайте всі попередження та всі інструкції.

Невиконання всіх інструкцій, що наведені нижче, може призвести до ураження електричним струмом, пожежі та/або серйозних травм.

Зберігайте це керівництво для отримання інформації в подальшому.

Термін "електричний інструмент" в усіх попередженнях, перерахованих нижче, стосується використовуваних Вами інструментів, що працюють від мережі енергоспоживання або акумуляторів.

1. Безпека робочої зони

a. Тримайте робочу зону чистою та добре освітленою. Неупорядковані та темні робочі зони збільшують імовірність нещасного випадку.

b. Не використовуйте електричні інструменти у вибухонебезпечній атмосфері, наприклад, в присутності вогнебезпечних рідин, газів та пилу. Електричні інструменти створюють іскри, що можуть запалити пил або випаровування.

c. Тримайте дітей та сторонніх подалі під час використання електричного інструменту. Відвернення уваги може призвести до втрати контролю.

2. Електрична безпека

a. Вилка електричного інструменту має відповідати розетці. Ніколи ніяким чином не змінюйте розетку. Не використовуйте адаптерів із заземленими електричними інструментами. Немодифіковані вилки та розетки, що підходять до них, зменшують ризик ураження електричним струмом.

b. Уникайте контакту тіла з заземленими поверхнями, такими як труби, радіатори, плити та холодильники. Якщо Ваше тіло заземлене, ризик ураження електричним струмом збільшується.

c. Не залишайте електричні інструменти під дощем або в умовах підвищеної вологості. Вода, що потрапляє в електричний інструмент, підвищує ризик ураження електричним струмом.

d. Не використовуйте шнур не за призначенням. Ніколи не використовуйте шнур для переносу, витягнення або відключення електричного інструменту. Тримайте шнур подалі від високих температур, мастила,

гострих предметів та рухомих деталей. Ушкоджений або заплутаний шнур підвищує ризик ураження електричним струмом.

e. При використанні електричного інструменту на вулиці, використовуйте подовжуючий шнур, що підходить для використання на вулиці. Використання шнура, що підходить для вулиці, знижує ризик ураження електричним струмом.

f. Якщо неможливо уникнути використання електричного інструменту в умовах підвищеної вологості, використовуйте живлення, захищене пристроєм залишкового струму (RCD). Використання RCD знижує ризик ураження електричним струмом.

3. Особиста безпека

a. Будьте в стані готовності, дивіться, що ви робите, та використовуйте загальний глузд, коли ви працюєте з електричним інструментом. Не використовуйте електричний інструмент, коли ви втомлені або знаходитесь від впливом наркотичних речовин, алкоголю або лікарських засобів. Втрата уваги при роботі з електричними інструментами може призвести до серйозних травм.

b. Використовуйте особисті засоби безпеки. Засоби безпеки, такі як протипилова маска, неслизькі безпечні чоботи, твердий капелюх та засоби захисту слухового апарату, які використані для відповідних умов, зменшують імовірність особистих травм.

c. Уникнення випадкового запуску. Переконайтесь, що вимикач знаходиться в позиції Вкл. перед підключенням до джерела живлення та/або акумулятора, переміщенням або перенесенням пристрою. Перенесення інструменту, тримаючи палець на вимикачі, або підключення живлення з перемикачем в позиції Вкл. може призвести до нещасного випадку.

d. Зніміть всі налаштувальні ключі або гайкові ключі перед тим, як вмикати електричний інструмент. Гайковий ключ, що залишився прикріпленим до якоїсь деталі, що обертається, може призвести до травм.

e. Не перенапружуйтеся. Завжди підтримуйте правильну постановку ніг та рівновагу. Це дозволяє тримати електричний інструмент під кращим контролем у несподіваних ситуаціях.

f. Вдягайтеся відповідним чином. Не вдягайте вільний одяг чи прикраси. Тримайте ваше волосся, одяг та рукавички подалі від рухомих деталей. Вільний одяг, прикраси або довге волосся може зачепитися за рухомі деталі.

g. Якщо передбачені пристрої для підключення до засобів виділення та збирання пилу, переконайтесь, що вони правильно підключені та використовуються. Використання таких пристроїв зменшує ризик виникнення небезпечних ситуацій, що пов'язані з потраплянням пилу.

4. Використання та догляд за електричним інструментом

a. Не використовуйте надмірні зусилля при роботі з електричним інструментом. Використовуйте відповідний електричний інструмент для вашої задачі. Правильно обраний електричний інструмент виконає завдання краще та безпечніше за умов, для яких він був розроблений.

b. Не використовуйте інструмент, вмикач якого не вмикає та не вимикає його. Будь-який електричний інструмент, який не може управлятися вмикачем, є небезпечним і має бути відремонтований.

c. Відключіть вилку від джерела живлення перед тим, як робити будь-які налаштування, зміну додаткового обладнання та перед зберіганням інструменту. Такі заходи безпеки знижують.

d. Бережіть вимкнені електричні інструменти від дітей та не дозволяйте особам, що не знайомі з електричним інструментом або цими інструкціями, використовувати електричний інструмент. Електричні інструменти є небезпечними, якщо вони використовуються некваліфікованими користувачами.

e. Технічне обслуговування електричних інструментів. Перевіряйте на відсутність вивірнювання або заїдання рухомих деталей, ушкоджених частин та інших умов, що можуть впливати на роботу електричного інструменту. Якщо є ушкодження, відремонтуйте інструмент перед використанням. Багато нещасних випадків є результатом того, що інструмент не пройшов відповідного технічного обслуговування.

f. Тримайте ріжучі інструменти гострими та чистими. Правильно доглянуті ріжучі інструменти з гострими ріжучими кромками мають меншу ймовірність заїдання, та ними легше керувати.

g. Використовуйте електричний інструмент, додаткові інструменти та деталі інструменту тощо у відповідності до цих інструкцій та відповідно до даного типу механізованих інструментів, зважаючи на умови використання та роботу, яка має бути виконана. Використання електричних інструментів не за призначенням може призвести до виникнення небезпечних ситуацій.

5. Використання електроінструмента з живленням від акумулятора та догляд за ним

a. Для зарядження акумулятора використовуйте тільки зарядний пристрій, рекомендований виробником. Зарядний пристрій, який підходить до одного типу акумуляторів, може створити ризик пожежі при використанні з акумулятором іншого типу.

b. Використовуйте з електроінструментом виключно ті акумулятори, які призначені до застосування саме з ним. Використання будь-яких інших акумуляторів може створити ризик травматизму та пожежі.

c. Поблизу акумулятора, який тимчасово не використовуються, не повинно бути сторонніх металевих предметів на зразок канцелярських скріпок, монет, ключів, цвяхів, гвинтів або інших дрібних виробів з металу, які можуть спричинити коротке замикання

выводів акумулятора. Коротке замикання выводів акумулятора може спричинити вибух або пожежу.

d. Уникайте контакту з рідиною, яка за невідповідних умов використання може витікати з акумулятора. Якщо ця рідина випадково потрапила на шкіру, її необхідно змити водою. Якщо ця рідина потрапила в очі, необхідно звернутися до лікаря. Рідина, яка витікла з акумулятора, може спричинити подразнення та опіки.

6. Обслуговування

a. Надавайте Ваш електричний інструмент для обслуговування кваліфікованим спеціалістом з ремонту та використовуйте тільки ідентичні замінні деталі. Це забезпечить безпеку електричного пристрою, що обслуговується.

Додаткові спеціальні правила техніки безпеки під час роботи з дрилем/викруткою

- Якщо інструмент застосовують як ударний дріль, використовуйте засоби захисту слуху. Вплив шуму може призводити до втрати слуху.

- Якщо в комплекті поставки знаходяться рукоятки (одна чи декілька), використовуйте їх. Втрата управління інструментом може призводити до отримання травм.

- Якщо існує ризик того, що під час роботи ріжучий елемент електроінструменту може торкнутися схованого кабелю, що знаходиться під напругою, тримайте інструмент за ізольовані частини корпусу. Контакт ріжучого елемента з кабелем під напругою може призвести до того, що під напругою опиняться металеві частини інструменту, внаслідок чого оператора буде уражено електричним струмом.

Існуючі ризики

Навіть за умови виконання всіх відповідних правил техніки безпеки та використання захисних пристроїв, певні остаточні ризики під час використання інструменту залишаються.

Такими ризиками є:

- ризик погіршення слуху.


- ризик отримання травм від частинок твердого матеріалу, що розлітаються.

- ризик виникнення пожежі за рахунок нагрівання матеріалів під час роботи.

- ризик отримання травм, що виникає, коли інструмент довго використовують.

ПОЗНАЧКИ НА КОРПУСІ ІНСТРУМЕНТУ

Окрім коду, що позначає дату випуску, на корпусі інструменту можуть знаходитись наступні позначки:

 **Попередження!** Щоб зменшити ризик травм, користувач повинен прочитати керівництво з експлуатації.

 Використання для захисту очей

 Використання захисту слуху

друкується на корпусі.

Дата коду, який також включає рік виготовлення, друкується на корпусі.

Приклад:

2015 XX JN
Рік виготовлення

Важливі правила техніки безпеки, що стосуються всіх пристроїв для зарядження акумуляторів

ЗБЕРІГАЙТЕ ЦІ ІНСТРУКЦІЇ: Ця інструкція містить важливі правила техніки безпеки та експлуатації для пристроїв для зарядження акумуляторів SC121.

• Перед тим, як використовувати пристрій для зарядження акумуляторів, ознайомтесь з усіма настановами та попереджувальними позначками на пристрої, акумуляторі та інструменті, для живлення якого використовують акумулятор.



ЗАСТЕРЕЖЕННЯ: Небезпека ураження електрострумом. Всередину пристрою для зарядження не повинна потрапляти рідина. Наслідком може бути ураження електричним струмом.



ПОПЕРЕДЖЕННЯ: Небезпека виникнення пожежі. Для того, щоб зменшити ризик отримання травми, використовуйте пристрій для зарядженні тільки акумуляторів виробництва компанії Stanley. Використання акумуляторів інших типів може призводити до виникнення пожежі, наслідком якої можуть стати травми та пошкодження виробів.



ПОПЕРЕДЖЕННЯ: Слідкуйте за тим, щоб діти не гралися з пристроями.

ПОПЕРЕДЖЕННЯ: Сторонні предмети, що потрапили у пристрій, можуть його "закоротити" після приєднання до джерела живлення. Предмети, які проводять електричний струм, такі, як пил, що утворюється під час шліфування металевих предметів, металева стружка, металева вата, алюмінієва фольга або будь-який агломерат металевих частинок, слід тримати на відстані від чарунок пристрою для зарядження акумуляторів. Якщо в чарунці пристрою не знаходиться акумулятор, від'єднуйте пристрій від джерела живлення. Перед очищенням пристрою від'єднуйте його від джерела живлення.

• **НЕ ЗАРЯДЖАЙТЕ** акумулятор за допомогою іншого пристрою, що відрізняється від того, що вказано в цій інструкції. Зарядний пристрій та акумулятор спеціально розроблені для спільного використання.

• Названі тут пристрої призначені для зарядження тільки змінних акумуляторів виробництва компанії Stanley. Спроба зарядити акумулятор іншого типу може призвести до виникнення пожежі, ураження електричним струмом або до загибелі оператора.

• Пристрій не повинен потрапляти під дощ або сніг.

• Під час відключення акумулятора від джерела живлення тягніть не за кабель, а за вилку. Це зменшує ризик пошкодження вилки та кабелю.

• Впевніться в тому, що кабель розташовано так, що на нього не наступлять, через нього не перечепляться, та що він не буде іншим чином пошкоджений чи перевантажений.

• Не використовуйте подовжувач електричного кабелю, окрім випадків, коли це абсолютно необхідно. Використання невідповідного подовжувача може призвести до виникнення пожежі, ураження електричним струмом або до загибелі оператора.

• Не кладіть ті чи інші речі на пристрій для зарядження та не розміщуйте пристрій на м'якій поверхні, оскільки це може призводити до перекривання вентиляційних отворів і, внаслідок цього, до перегрівання пристрою. Розміщуйте зарядний пристрій на віддаленні від джерел тепла. Вентиляційні отвори знаходяться на верхній та нижній частинах корпусу пристрою.

• Не використовуйте пристрій для зарядження акумуляторів, якщо його вилку або кабель пошкоджено – їх слід відразу замінити.

• Не використовуйте пристрій, якщо по ньому чимось вдарили, якщо він впав або був пошкоджений іншим чином. Зверніться до сервісного центру, який уповноважено на проведення відповідних ремонтних робіт.

• Не розбирайте пристрій для зарядження акумуляторів; якщо необхідно виконати обслуговування чи ремонт пристрою, звертайтеся до сервісного центру. Неправильне розбирання пристрою може призвести до виникнення пожежі, ураження електричним струмом або до загибелі оператора.

• Якщо кабель живлення пошкоджено, то, для запобігання ризикам, його слід відразу замінити, звернувшись або до виробника, або до його уповноваженого агенту по ремонту чи іншої кваліфікованої особи.

• Перед очищенням пристрою для зарядження його слід від'єднати від джерела живлення. Це необхідно для зменшення ризику ураження електричним струмом. Від'єднання самого лише акумулятора не зменшує такий ризик.

• **НЕ НАМАГАЙТЕСЯ** з'єднувати 2 зарядних пристрої.

• Зарядний пристрій розроблено так, щоб він міг жититися від звичайної побутової електромережі. Не використовуйте джерела живлення з іншою напругою. Пристрій не розрахований на живлення від автомобільного акумулятора.

ЗБЕРІГАЙТЕ ЦІ ІНСТРУКЦІЇ

Зарядні пристрої

Пристрої SC201/SC202 використовують для зарядки акумуляторів, що створюють напругу 10.8 В.

Пристрої не потребують додаткових налаштувань і розроблені так, щоб їх експлуатація була максимальною простою.







Процедура заряджання (рис. В)

1. Перед тим, як вставити акумулятор, приєднайте пристрій (10) до джерела живлення, що відповідає всім вимогам.
2. Вставте в пристрій акумулятор (7). Про початок процесу заряджання акумулятора свідчитиме миготіння червоного світлового індикатора на пристрої.
3. Про повне заряджання акумулятора свідчитиме постійне світіння червоного світлового індикатора. Тепер акумулятор повністю заряджений і може бути використаний у будь-який час; також його можна залишити в пристрої для зарядження.

ПРИМІТКА: Для того, щоб досягти максимальної продуктивності літій-іонних акумуляторів, перед першим їх використанням зарядіть їх повністю.

Процес заряджання

В таблиці вказано, яким саме чином пристрій сигналізує про стан акумулятора в процесі його заряджання.

Стан акумулятора	
 Акумулятор заряджається	— — — — — 
 Акумулятор повністю заряджений	— — — — — 
 Затримка зарядження для надто холодного чи гарячого акумулятора	— — — — — 

ВІДСТРОЧЕННЯ ЗАРЯДЖАННЯ ДЛЯ НАДТО ХОЛОДНОГО/ ГАРЯЧОГО АКУМУЛЯТОРА

В тому випадку, якщо пристрій виявить, що акумулятор гарячий, його заряджання припиняється, і відновлюється після охолодження акумулятора.

В тому випадку, якщо пристрій виявить, що акумулятор надто холодний, його заряджання припиняється, і відновлюється після нагрівання акумулятора.

В цей період червоний індикатор миготить, а жовтий світиться. Після охолодження акумулятора жовтий індикатор відключиться, що свідчитиме про те, що процес заряджання відновився.

Електронна система захисту

Літій-іонні акумулятори містять Систему електронного захисту, яка не допускає їх перевантаження, перегрівання або надто глибокого розрядження.

У таких випадках акумулятор буде автоматично відключений цією Системою. Якщо це відбулося, приєднайте літій-іонний акумулятор до пристрою для зарядження і повністю зарядіть його.

Важливі правила техніки безпеки, що стосуються всіх акумуляторів

Під час замовлення акумуляторів на заміну вказуйте їх номер за каталогом та характеристики напруги.

Акумулятор, що знаходиться в упаковці, не заряджений повністю. Перед тим, як використовувати акумулятор та пристрій для зарядження, вивчіть інструкції, наведені нижче. Після цього виконайте вказівки щодо процедури зарядження акумулятора.

ВИВЧІТЬ ІНСТРУКЦІЇ

- Не заряджайте та не використовуйте акумулятор у вибухонебезпечному середовищі, наприклад, поруч із займистими рідинами, в атмосфері займистого газу або за наявності займистого пилу. В цих умовах вставлення акумулятора в пристрій для зарядження або виймання його з такого пристрою може привести до займання пилу або випарів.


- Не застосовуйте силу під час вставлення акумулятора в пристрій для зарядження. Не змінюйте тим чи іншим чином конструкцію акумулятора для того, щоб він підходив до пристрою для зарядження, який не розрахований на його використання; це може призвести до пошкодження акумулятора і, внаслідок цього, до серйозних травм оператора.


- Заряджайте акумулятори тільки за допомогою зарядних пристроїв виробництва компанії Stanley.

- Не ДОПУСКАЙТЕ потрапляння води та інших рідин на акумулятор та пристрій для його зарядження та не занурюйте їх в ці рідини.

- Не зберігайте та не використовуйте акумулятори та пристрої для їх зарядження в місцях, де температура може бути більшою за 40 °C (105 °F), напр., біля гаражів чи інших металевих будівель в сонячну погоду.

ЗАСТЕРЕЖЕННЯ: Ні за яких умов не розбирайте акумулятор.

 Якщо корпус акумулятора має тріщини або інші пошкодження, не вставляйте його в пристрій для зарядження. Не робіть ударів по корпусу акумулятора, не роняйте його та не пошкоджуйте. Не використовуйте акумулятор або пристрій для його зарядження, якщо по них чимось вдарили, якщо вони падали чи на них падав важкий предмет, або якщо вони були пошкоджені іншим чином (напр., були пробиті цвяхом, по них вдарили молотком, наступили на них тощо). Наслідком може бути ураження електричним струмом або загибель оператора. Акумулятор, що виїшов з ладу, слід надіслати до сервісного центру для утилізації.

 **ПОПЕРЕДЖЕННЯ:** Якщо виробни не використовують, тримайте їх у відведеному для цього місці (на стабільній поверхні, на якій вони не будуть переміщуватись та з якої не впадуть). Зауважте, що деякі інструменти з акумулятором великих розмірів, які можна поставити вертикально на акумулятор, можуть легко перекинутись.

ОСОБЛИВОСТІ ТЕХНІКИ БЕЗПЕКИ ПІД ЧАС РОБОТИ З ЛІТІЙ-ІОННИМИ АКУМУЛЯТОРАМИ

- Не утилізуйте акумулятор шляхом його спалювання, навіть якщо він був серйозно пошкоджений або повністю виїшов з ладу. Такий акумулятор може вибухнути у вогні.

Під час спалювання літій-іонних акумуляторів утворюються шкідливі леткі продукти згоряння.

• **Якщо матеріал, що знаходився всередині акумулятора, потрапив на шкіру, терміново промийте уражену ділянку шкіри рідким миючим засобом та водою.** Якщо рідина з акумулятора потрапила в око, промивайте відкрите око водою упродовж 15 хвилин або до припинення відчуття "жару". Інформація для медиків: електроліт акумулятора містить суміш рідких органічних сполук-карбонатів та солі літію.

• **Речовини, що знаходяться всередині акумулятора, можуть викликати подразнення респіраторних шляхів.** Виведіть постраждалого на свіже повітря. Якщо симптоми не зникли, зверніться по медичну допомогу.



ЗАСТЕРЕЖЕННЯ: Небезпека виникнення пожежі. Рідина, що міститься в акумуляторі, може зайнятися під дією іскри або вогню.

Перевезення

Акумулятори виробництва компанії Stanley задовольняють вимогам всіх нормативних актів та чинних стандартів, які використовують в галузі транспортування, в тому числі «Рекомендації ООН щодо перевезення небезпечних вантажів», «Положень IATA (International Air Transport Association, Міжнародна асоціація повітряного транспорту) щодо небезпечних вантажів», «Міжнародних положень щодо перевезень небезпечних вантажів морем (IMDG)», а також Європейської угоди щодо міжнародних перевезень небезпечних вантажів шляхами (ADR). Літій-іонні батареї та акумулятори пройшли перевірку відповідно до п. 38.3 «Настанов щодо випробувань та критеріїв оцінювання їх результатів на відповідність вимогам Рекомендацій ООН щодо перевезення небезпечних вантажів».

В більшості випадків перевезення акумуляторів виробництва компанії Stanley не підпадає під визначення «небезпечні матеріали класу 9, що знаходяться під повним контролем». Загалом, існують два випадки, коли перевезення має здійснюватись згідно з вимогами для матеріалів класу 9:

1. перевезення авіатранспортом більш ніж двох літій-іонних акумуляторів виробництва компанії Stanley, якщо упаковка містить тільки акумулятори (без інструментів), а також

2. перевезення будь-якого вантажу, що містить літій-іонний акумулятор потужністю більше 100 Вт-год. Потужність кожного літій-іонного акумулятора (у Вт-год) вказана на упаковці.

Незалежно від того, підпадає вантаж під визначення "під повним контролем" чи ні, відправник несе повну відповідальність за виконання вимог чинних нормативних актів стосовно пакування вантажу, його маркування та підготовки товаросупровідних документів.

Під час перевезення акумуляторів контакт їх виводів з матеріалами, що проводять струм, може призвести до виникнення пожежі. Тому, під час перевезення акумуляторів, впевніться в тому, що їх виводи захищені та належним чином

ізолювані від матеріалів, контакт з якими може призводити до короткого замикання.

Інформація цього розділу представлена належним чином, і, як ми вважаємо, адекватна на момент створення цього документу. В той же час вона не являє собою гарантійні зобов'язання, надані явно або опосередковано. Покупець несе відповідальність за те, щоб його діяльність відповідала вимогам нормативних актів, які мають відношення до теми, про яку йде мова.

Акумулятор

ТИП АКУМУЛЯТОРА

Інструмент SCH12 використовує з акумулятором, що створює напругу 10.8 В.

Рекомендації щодо зберігання

1. Оптимальним є зберігання в сухому прохолодному місці, захищеному від дії прямого сонячного світла, в якому не допускається виникнення ситуації, коли температура може стати надто великою або надто низькою. Для того, щоби продуктивність акумулятора та термін його експлуатації були оптимальними, зберігати їх, якщо вони не використовуються, краще за кімнатної температури.

2. Якщо очікується, що термін зберігання буде значний, краще зберігати акумулятор в сухому прохолодному місці (але не в пристрої для заряджання) повністю зарядженим.

ПРИМІТКА: Не слід зберігати акумулятор повністю розрядженим. Перед використання акумулятор треба буде перезарядити.

Позначки на пристрої для заряджання та на акумуляторі

Окрім позначок, які вже наводилися в цьому документі, на акумуляторі або на пристрої для його заряджання Ви можете зустріти наступні піктограми:



Прочитати інструкцію перед використанням



Час заряджання вказаний в розділі «Технічні характеристики»



Акумулятор заряджається



Акумулятор заряджений



Акумулятор пошкоджено



Відстрочення заряджання для надто холодного/ гарячого акумулятора



Не торкатися предметами, які проводять електричний струм



Не заряджати пошкоджені акумулятори



Не допускати потрапляння води



Пошкоджено кабель живлення – його слід відразу замінити



Заряджати тільки за температури від 4 °C до 40 °C



Призначений для використання всередині приміщення



Під час утилізації акумулятора враховуйте вимоги щодо охорони оточуючого середовища.



Заряджайте акумулятори тільки за допомогою зарядних пристроїв, на яких позначено, що вони вироблені компанією Stanley. Використання

інших пристроїв може призвести до пожежі або виникнення небезпечної ситуації іншого типу.



Не утилізуйте акумулятори шляхом їх спалювання.

Комплект поставки

Комплект поставки включає:

- 1 ударний дріль
- 1 зарядний пристрій
- 2 акумулятори (C2) або 1 акумулятор (C1)
- 1 Інструкцію з експлуатації

ПРИМІТКА: Для N-виробів комплект поставки не включає акумулятори та зарядні пристрої.

• Після отримання інструменту перевірте, чи не були пошкоджені сам інструмент, його складові частини та допоміжні пристрої під час перевезення.

• Перед початком експлуатації інструменту знайдіть час для того, щоб прочитати цю інструкцію і зрозуміти особливості роботи з інструментом.

ОСНОВНІ ВУЗЛИ ІНСТРУМЕНТУ (рис. А)

1. Тригерний вмикач
2. Кнопка «вперед/назад»
3. Регулятор моменту обертання
4. Селектор перемикання двох діапазонів передач
5. Патрон (без ключа)
6. Кнопка вивільнення акумулятора
7. Акумулятор
8. Світлодіод для освітлення робочого поля
9. Перемикач вибору режиму роботи

ПРИЗНАЧЕННЯ ІНСТРУМЕНТУ

Цей ударний дріль призначений для проведення робіт, пов'язаних з кріпленням та висвердлюванням.

НЕ ВИКОРИСТОВУВАТИ у вологій атмосфері або в присутності займистих рідин чи газів.

Цей ударний дріль призначений для професійного використання.

НЕ ДАВАЙТЕ інструмент дітям. Недосвідчені оператори повинні працювати під наглядом.

• Цей інструмент не повинен використовуватись особами (в тому числі дітьми), що мають обмеження фізичних, сенсорних або розумових здібностей, недостатній досвід роботи та/або навички та знання, якщо роботи виконуються не під наглядом осіб, що несуть відповідальність за техніку безпеки на робочому місці. Не дозволяйте дітям гратися з цим інструментом.

Електробезпека

Електродвигун інструменту розрахований на використання джерела живлення з фіксованою напругою. Завжди перевіряйте, чи відповідає напруга, що її забезпечує акумулятор, робочій напрузі інструменту, вказаній в паспорті. Також впевніться в тому, що робоча напруга зарядного пристрою відповідає напрузі мережі живлення, яку Ви використовуєте.

Зарядний пристрій виробництва компанії Stanley має подвійну ізоляцію, що відповідає вимогам стандарту EN 60335; таким чином, заземлення пристрою не потрібне.

Якщо кабель живлення пошкоджено, його слід замінити; для заміни використовують спеціальний кабель, який можна придбати в сервісних організаціях компанії Stanley.

Використання подовжувача

Подовжувач слід використовувати лише у випадках, коли без цього абсолютно неможливо обійтись. Використовуйте кабель-подовжувач, який підходить до входу Вашого зарядного пристрою (див. "Технічні характеристики"). Мінімально допустима площа перерізу струмопровідного елемента має становити 1 mm²; максимально допустима довжина кабелю - 30 м.

Якщо Ви використовуєте кабельний барабан, завжди розмотуйте кабель повністю.

Збирання та налаштування інструменту



ЗАСТЕРЕЖЕННЯ: Перед початком збирання та налаштування інструменту завжди від'єднуйте акумулятор. Перед тим, як вставляти або від'єднувати акумулятор, відключайте інструмент.



ЗАСТЕРЕЖЕННЯ: Використовуйте тільки акумулятори та зарядні пристрої виробництва компанії Stanley.

Як приєднувати акумулятор до інструменту та від'єднувати його.



ЗАСТЕРЕЖЕННЯ: Для того, щоб зменшити ризик отримання серйозної травми, перед налаштуванням інструменту та знімання/приєднання певних його частин переведіть кнопку «вперед-назад» у положення «заблоковано» або переверніть інструмент та від'єднайте акумулятор. Неочікуване включення інструменту може призводити до отримання травм.

ПРИМІТКА: Впевніться в тому, що акумулятор (7) повністю заряджений.

ПРИЄДНАННЯ АКУМУЛЯТОРА ДО РУКОЯТКИ ІНСТРУМЕНТУ

1. Поставте акумулятор на направляючі, що знаходяться всередині рукоятки.
2. Посуньте акумулятор вперед до упору; коли він стане на місце, Ви повинні почути характерне клацання.

ВІД'ЄДНАННЯ АКУМУЛЯТОРА ВІД ІНСТРУМЕНТУ

1. Натисніть кнопку вивільнення акумулятора (6) та з силою витягніть акумулятор з рукоятки інструменту.
2. В зарядний пристрій акумулятор вставляйте так, як то описано у відповідному розділі цього документа.

ІНСТРУКЦІЇ З ВИКОРИСТАННЯ

Застереження та правила техніки безпеки: Свердління

УВАГА: Завжди дотримуйтесь інструкції по техніці безпеки та чинних правил.



УВАГА: Щоб зменшити ризик отримання серйозної травми, помістіть кнопку прямого / зворотного ходу в положенні блокування, або переверніть інструмент і відключіть акумулятор перед регулюванням або зняттям чи установкою додаткового приладдя або насадок.

Правильне положення рук (Мал. А, Н)



УВАГА: Щоб зменшити ризик отримання серйозної травми, **ЗАВЖДИ** правильно розташуйте руки щодо інструмента.



УВАГА: Щоб зменшити ризик отримання серйозної травми, **ЗАВЖДИ** займайте правильне стійке положення.

Правильне положення рук на інструменті припускає завжди тримати одну руку на основній рукоятці інструменту (9)

Клавіша включення / виключення (Мал. А)

Щоб включити інструмент потрібно натиснути на вимикач (1). Для виключення інструменту, відпустіть перемикач запуску. Ваш інструмент оснащений гальмом. Патрон зупиниться, коли перемикач запуску повністю відпустити.

Регулювання швидкості клавішею включення / вимикання дозволяє вибрати оптимальну швидкість для конкретного використання. Чим сильніше ви натискаєте клавішу включення / виключення, тим швидше швидкість роботи інструменту. Для максимального терміну служби інструменту, використовуйте змінну швидкість тільки для пуску операції свердління або загортання.

ПРИМІТКА: Безперервне використання змінної швидкості не рекомендується. Це може призвести до пошкодження перемикача і цього слід уникати.

Клавіша управління реверсом (Мал. А)

Кнопка «вперед-назад» (2) визначає напрямок обертань, і також має функцію блокування інструменту.

Для того, щоб вибрати напрямок обертання «вперед», відпустіть тригерний вмикач і натисніть ту частину кнопки «вперед-назад», що знаходиться з правого боку інструменту.

Для того, щоб вибрати напрямок обертання «назад», натисніть ту частину кнопки «вперед-назад», що знаходиться з лівого боку інструменту.

Центральне положення кнопки забезпечує блокування інструменту (блокування можливе, коли інструмент відключений). Зміна положення кнопки «вперед-назад» можлива, якщо тригерний вмикач вивільнено.

ПРИМІТКА: Спочатку при використанні інструменту після зміни напрямку обертання, ви можете почути клацання при запуску. Це нормально і не вказує на проблему.

Світлодіод для освітлення робочого поля

Світлодіодне підсвічування (8) розташоване під муфтою регулювання крутного моменту (3). Підсвічування активується, коли клавіша включення / виключення знаходиться в натиснутому стані

Примітка: Світлодіод призначений для освітлення робочого поля і не повинен використовуватись як сигнальний.

Муфта регулювання крутного моменту (рис. А, D)

Встановіть перемикач вибору режиму роботи (9) на символ шурпа. Муфта регулювання крутного моменту (3) має нанесені точні показники з числами. Муфта повинна бути встановлена в необхідному положенні відповідно позначки на верхній частині корпусу інструменту. Числові значення нанесені на муфту з метою точної установки крутного моменту. Чим вище значення числа на муфті, тим, відповідно, вище буде зусилля крутного моменту. Для установки інструменту в режим свердління, встановіть муфту у відповідне положення.

ПРИМІТКА: при використанні ударної дрилі в режимі свердління, переконайтеся, що муфта вибору режиму роботи встановлена в положення відповідно до малюнку свердла на ній і збігається з відміткою на верхній частині корпусу інструменту. Данна дія дозволить уникнути ковзання муфти при свердлінні.

Перемикач двох діапазонів передачі (рис. А, D)

Функція перемикач двох діапазонів передачі дрилі розширює діапазон робочих налаштувань інструменту.

Щоб вибрати низьку швидкість, високе значення крутного моменту, вимкніть інструмент і дозволяють зупинитися. Слайд важіль перемикач передач (4) вперед (в сторону патрона). Щоб вибрати високу швидкість, низький момент затягування, вимкніть інструмент і дозволяють зупинитися. Слайд важіль перемикач передач назад (від патрона).

Примітка: Не перемикайте передачу, коли інструмент працює. Якщо виникли проблеми з перемикач передачі, перевірте, чи зміщена кнопка перемикача в той чи інший бік до упору.

Патрон без ключа (рис. E)

Ваш інструмент оснащений швидкозакримним патроном, який дозволяє провести зміну аксесуарів однією рукою. Щоб замінити свердло або аксесуар, виконайте такі дії:

1. Зафіксуйте клавішу пуску у вимкненому положення, як описано вище.
2. Візьміться за чорний корпус Партон з одного боку, і поверніть надійно тримаючи інструмент іншою рукою. Повертайте патрон проти годинникової стрілки досить довго, щоб встановити необхідну приналежність.
3. Встановіть приналежність з посадкою 19 мм (3/4 ") в патрон і надійно затягніть, обертаючи за годинниковою стрілкою патрон рукою з одного боку, надійно утримуючи інструмент другою рукою. Ваш інструмент оснащений автоматичним механізмом блокування шпинделя. Це дозволяє відкривати і закривати патрон однією рукою.

Щоб звільнити аксесуар, повторіть крок 2 вище.

УВАГА: Не намагайтеся закріпити свердло (або будь-який інший аксесуар), взявшись за передню частину патрона і повертаючи інструмент. Це може призвести до пошкодження патрона і отримання травми. Завжди блокуйте пускову кнопку при заміні аксесуарів і приладдя.

Обов'язково при затягуванні патрона однією рукою, другою рукою щільно притримуйте інструмент і знаходьтеся в стійкому становищі.

Зняття патрона (рис. F)

Встановіть муфту в положення свердління, а перемикач швидкостей у положення 1 (низька швидкість). Зафіксуйте патрон на короткому кінці шестигранного ключа (не входить в комплект поставки) 6,35 мм (1/4 ") або більшого розміру. Використовуючи дерев'яну киянку або аналогічний інструмент вдарте по довгому кінцю ключа в бік обертання годинникової стрілки, як показано нижче. Ця дія послабить гвинт всередині патрона.

Відкрийте "губки" патрона повністю і втягніть викрутку (або будь-який інструмент з роз'ємом TORX у разі необхідності) в передній частині патрона між "губками", щоб зафіксувати головку гвинта. Відкрутіть гвинт за годинниковою стрілкою (ліворонна різьба). Після цього повторно зафіксуйте патрон на короткому кінці шестигранного ключа (не входить в комплект поставки) 6,35 мм (1/4 ") або більшого розміру. Використовуючи дерев'яну киянку або аналогічний інструмент вдарте по довгому кінцю ключа в бік обертання годинникової стрілки. Це дозволить послабити патрон так, щоб його можна було від'єднати вручну.

Установка патрона (рис. G)

Наживите несущий гвинт патрона вручну наскільки можливо (ліворонна різьба). Затягніть гвинт. Зафіксуйте патрон на короткому кінці шестигранного ключа (не входить в комплект поставки) 6,35 мм (1/4 ") або більшого розміру. Використовуючи дерев'яну киянку або аналогічний інструмент вдарте по довгому кінцю ключа проти обертання годинникової стрілки.

Дії з дрилем.



УВАГА: Щоб виключити ризик отримання серйозної травми, вимкніть інструмент та від'єднайте його від джерела живлення, перш ніж робити які-небудь дії з інструментом по установці / зняттю приладдя.



УВАГА: Щоб виключити ризик отримання серйозної травми, ЗАВЖДИ міцно закріплюйте заготовку з якою ви працюєте. При свердлінні тонкого матеріалу, використовуйте дерев'яний блок "підкладку", щоб уникнути шкідливих наслідків для матеріалів і робочих поверхонь.

Встановіть муфту регулювання в положення свердління. Виберіть необхідний діапазон швидкості / крутного моменту за допомогою регульованої муфти, за допомогою клавіші перемикачів, щоб домогтися відповідних показників для планованої роботи.

• Використовуйте тільки гострі свердла. Для деревини, використовуйте спіральні свердла, біти лопати або коронки. Для металевих, використовуйте високошвидкісні сталеві (HSS) спіральні свердла або отвір пилки.

Завжди застосовуйте не сильне натискання по прямій лінії. Використовуйте достатній тиск, щоб інструмент не зсковзував, але в той же час не використовуйте занадто сильне натискання, яке призводить до гальмування двигуна.

Тримайте інструмент під час роботи двома руками перебуваючи в стійкому положення, щоб контролювати роботу.



УВАГА: свердло може зупинитися при занадто сильному навантаженні, викликаючи тим самим несподіваний "ривок" інструмента. Завжди чекайте такої можливості. Міцно тримайте інструмент двома руками, щоб уникнути травм.

• **ЯКЩО ІНСТРУМЕНТ ЗУПИНЯЄТЬСЯ, це є наслідком перевантаження або неправильного використання. НЕГАЙНО ВІДПУСТИТЬ пускову клавішу, видаліть свердло з робочої зони і визначте причину зупинки. НЕ НАТИСКАЙТЕ пускову клавішу ПОВТОРНО У СПРОБІ ПРОДОВЖИТИ РОБОТУ ВІДРАЗУ ПІСЛЯ ЗУПИНКИ СВЕРДЛА - ЦЕ МОЖЕ ПОШКОДИТИ ІНСТРУМЕНТ.**

Щоб зменшити ризик розтягування або розриву матеріалу, зменшіть тиск на інструмент і намагайтеся закінчити роботу на малій швидкості.

При вилученні свердла з отвору, включайте реверсне обертання для уникнення заклинювання свердла.

При наявності регульованої швидкості немає необхідності використовувати керн для засвердлювання. Використовуйте малу швидкість, щоб почати свердління і збільшуйте швидкість по мірі засвердлювання глибше.

Роботи в режимі ударного дреля (Рис. D)

1. Поверніть кільце (3) до символу ударного дреля.
2. Виберіть настройку великої кількості обертів, зсунувши перемикач вперед (до затискного патрону). Важливо: Використовуйте свердла тільки з твердосплавним наконечником або з тонкостінною алмазною коронкою.
3. Під час свердління прикладайте рівно стільки зусиль, скільки необхідно для уникнення надмірної віддачі інструмента або «відриву» свердла від матеріалу. Завелике зусилля призведе до зменшення кількості обертів, перегріву інструмента і зниження продуктивності свердління.
4. Свердлити необхідно перпендикулярно до робочій поверхні. Не прикладайте бічне зусилля до свердла під час свердління, оскільки це призведе до засмічення канавок свердла і уповільнення свердління.
5. Якщо під час свердління глибоких отворів швидкість ударного дреля починає падати, не вимикаючи інструмент частково витягніть свердло з отвору, щоб видалити з нього відходи свердління.

ПРИМІТКА: Плавний і рівномірний потік пилу з отвору вказує на правильну обрану швидкість свердління.

Роботи в режимі шурупверта

Виберіть необхідний діапазон швидкості / крутного моменту за допомогою подвійної настройки муфти крутного моменту і швидкості для запланованої операції.

Вставте необхідний аксесуар в патрон, як і будь яке свердло. Зробіть кілька пробних обертів для зразку щоб визначити оптимальний крутий момент при застосуванні у вашій роботі.

МАКСИМАЛЬНО РЕКОМЕНДОВАНІ РОЗМІРИ

	Низька швидкість - 1	Висока швидкість - 2
Біти, свердління металу	6.00 mm	3.00 mm
Деревина, спіральні свердла	19.00 mm	12.00 mm
Ціфенбори	19.00 mm	16.00 mm

ОБСЛУГОВУВАННЯ ІНСТРУМЕНТУ

Ваш інструмент Stanley розрахований на роботу протягом тривалого часу при мінімальному технічному обслуговуванні. Термін служби і надійність інструменту збільшується при правильному догляді і регулярному чищенні.

Увага! Перед будь-якими видами робіт з технічного обслуговування виймайте з інструменту акумулятор. Перед чищенням зарядного пристрою відключіть його від джерела живлення.

Ваш зарядний пристрій не вимагає ніякого додаткового технічного обслуговування, крім регулярного чищення.



Ваш інструмент не потребує додаткового мастила.



Чистка



УВАГА: прочитайте бруд і пил з основного корпусу сухим повітрям так часто, як бачите скупчення бруду всередині і навколо вентиляційних отворів. Одягайте засіб захисту для очей і респіратор при виконанні цієї процедури.



УВАГА: Ніколи не використовуйте розчинники або інші агресивні хімічні речовини для очищення неметалевих деталей інструменту. Ці хімічні речовини можуть послабити матеріал, що використовуються в цих частинах. Використовуйте тканину, змочену у воді з м'яким милом. Ніколи не допускайте попадання рідини всередину інструменту; ніколи не опускайте яку-небудь частину інструменту в рідину.

Інструкції з чищення Зарядного пристрою



УВАГА: Небезпека ураження електричним струмом. Від'єднайте зарядний пристрій від розетки перед очищенням. Бруд і масло можна видалити із зовнішньої частини зарядного пристрою, використовуючи тканину або м'яку неметалеву щітку. Не використовуйте воду або чистячі розчини.

ДОПОМІЖНІ ТА ЗМІННІ ЕЛЕМЕНТИ



Застереження! Оскільки інші допоміжні та змінні елементи, окрім вироблених компанією Stanley, не перевірялися на сумісність з цим виробом, то їх використання може бути небезпечним. Для того, щоб зменшити ризик отримання травми, рекомендується використовувати тільки допоміжні елементи виробництва компанії Stanley.



Зверніться до дилера для отримання додаткової інформації щодо відповідних аксесуарів.

ЗАХИСТ ОТОЧУЮЧОГО СЕРЕДОВИЩА



Інструмент, що вийшов з ладу, підлягає спеціальному режиму утилізації. Його не слід утилізувати разом зі звичайними побутовими відходами.

Якщо Ви дійшли висновку, що Ваш інструмент слід замінити, або що він більше не потрібен Вам, не утилізуйте його разом із побутовими відходами. Продукт слід утилізувати у спеціальний спосіб.



Роздільна зборка виробів з вичерпаним терміном служби та упаковки дозволяє пускати їх у переробку і повторно використовувати. Використання перероблених матеріалів допомагає захищати навколишнє середовище від забруднення та зменшує потребу в сировині.

"Міське законодавство може забезпечити збір старих едетроінструментів окремо від побутового сміття на муніципальних смітниках, або Ви можете здавати їх продавцями при покупці нового виробу.

АКУМУЛЯТОРИ



Акумулятор має бути перезаряджен у разі зниження потужності при роботі, яку було легко зробити раніше.

■ Наприкінці життєвого циклу акумулятор повинен бути утилізований щоб не заподіяти шкоди навколишньому середовищу:

Повністю розрядіть акумулятор та від'єднайте його від інструменту.

• Li-Ion клітини придатні для переробки. Віднесіть їх удо дилера або в місцевий пункт переробки. Зібрані акумулятори будуть перероблені або утилізовані належним чином.

ПОЯСНЕННЯ

Постійне удосконалення наших виробів є одним із принципів компанії Stanley, тому ми залишаємо за собою право вносити зміни в конструкцію виробу без попереднього повідомлення про це.

- Базовий виріб та допоміжні/змінні елементи можуть мати різну конструкцію під пас постачання продукції в різні країни.
- Характеристики виробу також можуть бути відмінними в різних країнах.
- Повна лінійка готових виробів в деяких країнах може бути недоступною. З питань асортименту продукції звертайтеся до Вашого місцевого представництва компанії Stanley.

Технічні дані

		SC12
Напруга	Впост. Струму	10.8
Швидкість обертання в режимі без навантаження		
Перша передача	хв-1	0-400
Друга передача	хв-1	0-1500
Макс. Крутильний момент		
Найбільший діаметр свердла, Нм		28
яке можна затиснути у патроні	мм	10
Максимальна місткість буріння:		
Деревина	мм	20
Метал	мм	10
Бетон	мм	8
Зарядний пристрій		SC121
Вхідна напруга	Взмінн. Струму	220-240
Вихідна напруга	Впост. Струму	22
Струм	А	1.25
Орієнтовний час зарядження мин		70 (1.5Ah)
Акумулятор		SB12S
Напруга	Впост. Струму	10.8
Ємкість	Ампер-годин	1.5
Тип		Li-Ion

ІНФОРМАЦІЯ СТОСОВНО ОБСЛУГОВУВАННЯ

Компанія Stanley має мережу власних сервісних центрів та уповноважених органів з обслуговування інструментів. Всі сервісні організації компанії Stanley укомплектовані кваліфікованим персоналом, який надає покупцям послуги з ефективного та надійного обслуговування електроінструменту. Для того, щоб отримати додаткову інформацію про наші уповноважені сервісні центри, а також, якщо Вам потрібна порада з технічних питань, ремонт або виготовлені нашою компанією запасні частини, зв'яжіться з найближчим представництвом компанії Stanley.

STANLEY

Гарантійні умови

Шановний покупець!

1. Вітаємо Вас з покупкою високоякісного виробу STANLEY і висловлюємо вдячність за Ваш вибір.
2. При покупці виробу вимагайте перевірки його комплектності і справності у Вашій присутності, інструкцію з експлуатації та заповнений гарантійний талон українською мовою
В гарантійному талоні повинні бути внесені: модель, дата продажу, серійний номер, дата виробництва інструменту; назва, печатка і підпис торгової організації. За відсутності у Вас правильно заповненого гарантійного талону, а також при невідповідності зазначених у ньому даних ми будемо змушені відхилити Ваші претензії щодо якості даного виробу.
3. Щоб уникнути непорозумінь, переконливо просимо Вас перед початком роботи з виробом уважно ознайомитися з інструкцією з його експлуатації. Правовою основою справжніх гарантійних умов є чинне Законодавство. Гарантійний термін на даний виріб складає 24 місяці і обчислюється з дня продажу. У разі усунення недоліків виробу, гарантійний строк продовжується на період його перебування в ремонті. Термін служби виробу становить 5 років з дня продажу.
4. У разі виникнення будь-яких проблем у процесі експлуатації виробу рекомендуємо Вам звертатися тільки в уповноважені сервісні центри STANLEY, адреси та телефони яких Ви зможете знайти в гарантійному талоні, на сайті www.2helpU.com або дізнатися в магазині. Наші сервісні станції - це не тільки кваліфікований ремонт, але і широкий асортимент запчастин і аксесуарів.
5. Виробник рекомендує проводити періодичну перевірку і технічне обслуговування виробу в уповноважених сервісних центрах.
6. Наші гарантійні зобов'язання поширюються тільки на несправності, виявлені протягом гарантійного терміну і викликані дефектами виробництва та \ або матеріалів.
7. Гарантійні умови не поширюються на несправності виробу, що виникли в результаті:
 - 7.1 Недотримання користувачем приписів інструкції з експлуатації виробу, застосування виробу не за призначенням, неправильного зберігання, використання приладдя, витратних матеріалів і запчастин, що не передбачені виробником.
 - 7.2 Механічного пошкодження (відколи, тріщини і руйнування) внутрішніх і зовнішніх деталей виробу, основних і допоміжних рукояток, мережевого кабелю, що викликані зовнішнім ударним або будь-яким іншим впливом

- 7.3 Поتراплення у вентиляційні отвори та проникнення всередину виробу сторонніх предметів, матеріалів або речовин, що не є відходами, які супроводжують застосування виробу за призначенням, такими як: стружка, тирса, пісок, та ін.
- 7.4 Впливу на виріб несприятливих атмосферних і інших зовнішніх факторів, таких як дощ, сніг, підвищена вологість, нагрівання, агресивні середовища, невідповідність параметрів електромережі, що зазначені на інструменті.
- 7.5 Стихійного лиха. Пошкодження або втрати виробу, що пов'язані з непередбаченими лихами, стихійними явищами, у тому числі внаслідок дії інших небезпечних факторів, таких як пожежа, блискавка, потоп і інші природні явища), а також внаслідок перепадів напруги в електромережі та іншими причинами, які знаходяться поза контролем виробника.
8. Гарантійні умови не поширюються:
 - 8.1. На інструменти, що піддавалися розкриттю, ремонту або модифікації поза уповноваженим сервісним центром.
 - 8.2. На деталі, вузли та матеріали, що мають сліди природного зносу, такі як: приводні ремені і колеса, вугільні щітки, мастило, підшипники, зубчасті зчеплення редукторів, гумові ущільнення, сальники, направляючі ролики, муфти, вимикачі, бойки, штовхачі, стволи тощо.
 - 8.3. На змінні частини: патрони, цанги, затискні гайки і фланці, фільтри, акумуляторні батареї, ножі, шліфувальні підшви, ланцюги, зірочки, пильні шини, захисні кожухи, пилки, абразиви, пильні і абразивні диски, фрези, свердла, бури тощо
 - 8.4. На несправності, що виникли в результаті перевантаження інструменту (як механічного, так і електричного), що спричинили вихід з ладу одночасно двох і більше деталей і вузлів, таких як: ротора і статора, обох обмоток статора, веденої і ведучої шестерень редуктора або інших вузлів і деталей. До безумовних ознак перевантаження виробу відносяться, крім інших: поява кольорів мінливості, деформація або оплавлення деталей і вузлів виробу, потемніння або обуглювання ізоляції проводів електродвигуна під впливом високої температури.



Виробник:
"Stanley Black & Decker Deutschland GmbH" Black-&Decker Str.40, D-65510 Idstein, Німеччина

Kullanım amacı

Stanley SCH12 10,8V Li-Ion darbeli matkap/tornavidanız hafif vida takma/sökme ve delme işlemleri için tasarlanmıştır. Bu alet profesyonel kullanım içindir.

Güvenlik talimatları

Genel elektrikli alet güvenliği uyarıları



Uyarı! Bütün güvenlik uyarılarını ve talimatlarını mutlaka okuyun. Aşağıda yer alan uyarılar ve talimatların herhangi birisine uyulmaması elektrik çarpması, yangın ve/veya ciddi yaralanma riskine neden olabilir.

Bütün uyarı ve güvenlik talimatlarını ilerde bakmak üzere saklayın.

Aşağıda yer alan uyarılardaki «elektrikli alet» terimi şebeke elektriğiyle (kablolu) veya akü/pille (şarjlı) çalışan elektrikli aletinizi ifade etmektedir.

1. Çalışma alanının güvenliği

a. Çalışma alanını temiz ve aydınlık tutun. Karışık veya karanlık alanlar kazaya davetiye çıkarır.

b. Elektrikli aletleri, yanıcı sıvılar, gazlar ve tozların bulunduğu yerler gibi yanıcı ortamlarda çalıştırmayın. Elektrikli aletler, toz veya dumanları ateşleyebilecek kıvılcımlar çıkarır.

c. Bir elektrikli aleti çalıştırırken çocuklardan ve etraftaki kişilerden uzak tutun. Dikkatinizi dağıtıcı şeyler kontrolü kaybetmenize neden olabilir.

2. Elektrik güvenliği

a. Elektrikli aletlerin fişleri prizlere uygun olmalıdır. Fiş üzerinde kesinlikle hiçbir değişiklik yapmayın. Topraklı elektrikli aletlerde hiçbir adaptör fişi kullanmayın. Değiştirilmemiş fişler ve uygun prizler elektrik çarpması riskini azaltacaktır.

b. Borular, radyatörler, ocaklar ve buzdolapları gibi topraklanmamış yüzeylerle vücut temasından kaçının. Vücudunuzun topraklanması halinde yüksek bir elektrik çarpması riski vardır.

c. Elektrikli aletleri yağmura maruz bırakmayın veya ıslatmayın. Elektrikli alete su girmesi elektrik çarpması riskini arttıracaktır.

d. Elektrik kablosunu uygun olmayan amaçlarla kullanmayın. Elektrikli aleti kesinlikle kablosundan tutarak taşımayın, çekmeyin veya prizden çıkartmayın. Kabloyu sıcağın, yağdan, keskin kenarlardan veya hareketli parçalardan uzak tutun. Hasarlı veya dolaşmış kablolar elektrik çarpması riskini artırır.

e. Elektrikli bir aleti açık havada çalıştırıyorsanız, açık havada kullanıma uygun bir uzatma kablosu kullanın. Açık havada kullanıma uygun bir kablolu kullanılması elektrik çarpması riskini azaltır.

f. Eğer bir elektrikli aletin nemli bir bölgede çalıştırılması zorunluysa, bir artık akım aygıtı (RCD) korumalı bir kaynak kullanın. Bir RCD kullanılması elektrik şoku riskini azaltır.

3. Kişisel güvenlik

a. Elektrikli bir aleti kullanırken her zaman dikkatli olun, yaptığınız işe yoğunlaşın ve sağduyulu davranın. Elektrikli bir aleti yorgunken veya ilaç ya da alkolün etkisi altındayken kullanmayın. Elektrikli aletleri kullanırken bir anlık dikkatsizlik ciddi kişisel yaralanmayla sonuçlanabilir.

b. Kişisel koruyucu ekipmanları mutlaka kullanın. Daima koruyucu gözlük takın. Koşullara uygun toz maskesi, kaymayan güvenlik ayakkabıları, baret veya kulaklık gibi koruyucu donanımların kullanılması kişisel yaralanmaları azaltacaktır.

c. İstem dışı çalıştırılmasını önleyin. Aleti güç kaynağına ve/veya aküye bağlamadan, yerden kaldırmadan veya taşımadan önce düğmenin kapalı konumda olduğundan emin olun. Aleti, parmağınız düğme üzerinde bulunacak şekilde taşımak veya açık konumdaki elektrikli aletleri elektrik şebekesine bağlamak kazaya davetiye çıkarır.

d. Elektrikli aleti açmadan önce tüm ayarlama anahtarlarını çıkartın. Elektrikli aletin hareketli bir parçasına takılı kalmış bir anahtar kişisel yaralanmaya neden olabilir.

e. Ulaşmakta zorlandığınız yerlerde kullanmayın. Daima sağlam ve dengeli basın. Bu, beklenmedik durumlarda elektrikli aletin daha iyi kontrol edilmesine olanak tanır.

f. Uygun şekilde giyinin. Bol elbiseler giymeyin ve takı takmayın. Saçınızı, elbiselerinizi ve eldivenlerinizi hareketli parçalardan uzak tutun. Bol elbiseler ve takılar veya uzun saç hareketli parçalara takılabilir.

g. Eğer kullandığınız üründen toz emme ve toplama özellikleri olan ataşmanlar varsa bunların bağlı olduğundan ve doğru şekilde kullanıldığından emin olun. Bu toz toplama ataşmanların kullanılması toza ilgili tehlikeleri azaltabilir.

4. Elektrikli aletlerin kullanımı ve bakımı

a. Elektrikli aleti zorlamayın. Uygulamanız için doğru elektrikli aleti kullanın. Doğru elektrikli alet, belirlendiği kapasite ayarında kullanıldığında daha iyi ve güvenli çalışacaktır.

b. Düğme açmıyor ve kapatmıyorsa elektrikli aleti kullanmayın. Düğmeyle kontrol edilemeyen tüm elektrikli aletler tehlikelidir ve tamir edilmesi gerekmektedir.

c. Herhangi bir ayarlama, aksesuar değişimi veya elektrikli aletlerin saklanması öncesinde fişi güç kaynağından çekin ve/veya aküyü elektrikli aletten ayırın. Bu tür önleyici güvenlik tedbirleri aletin istem dışı olarak çalıştırılmasını riskini azaltacaktır.

d. Elektrikli aleti, çocukların ulaşamayacağı yerlerde saklayın ve elektrikli aleti tanımayan veya bu talimatları bilmeyen kişilerin elektrikli aleti kullanmasına izin vermeyin. Elektrikli aletler, eğitimsiz kullanıcıların elinde tehlikelidir.

e. Elektrikli aletleri iyi durumda muhafaza edin. Hareketli parçalardaki hizalama hatalarını ve tutuklukları, parçalardaki kırılmalar ve elektrikli aletin çalışmasını etkileyebilecek tüm diğer koşulları kontrol edin. Hasarlı ise, elektrikli aleti

kullanmadan önce tamir ettirin. Kazaların çoğu, elektrikli aletlerin bakımının yeterli şekilde yapılmamasından kaynaklanır.

f. Kesim aletlerini keskin ve temiz tutun. Bakımı uygun şekilde yapılmış keskin kesim uçlu kesim aletlerinin sıkışma ihtimali daha düşüktür ve kontrol edilmesi daha kolaydır.

g. Elektrikli aleti, aksesuarlarını ve aletin diğer parçalarını kullanırken bu talimatlara mutlaka uyun ve çalışma ortamının koşullarını ve yapılacak işin ne olduğunu göz önünde bulundurun. Elektrikli aletin öngörülen işlemler dışındaki işlemler için kullanılması tehlikeli durumlara neden olabilir.

5. Akü/pille çalışan aletin kullanımı ve bakımı

a. Sadece üretici tarafından belirtilen şarj cihazı ile şarj edin. Bir akü tipine uygun bir şarj cihazı başka tipte bir aküyü şarj etmek için kullanıldığında yangın riski yaratabilir.

b. Elektrikli aletleri yalnızca özel olarak tanımlanmış akülerle kullanın. Başka bir akünün kullanılması yaralanma veya yangın riskine yol açabilir.

c. Akü kullanımda değilken, ataç, bozuk para, anahtar, çivi, vida veya terminaler arasında kontağa neden olabilecek diğer küçük metal nesnelere uzak tutulmalıdır. Akü terminalerinin birbirine kısa devre yapılması yanıklara veya yangına neden olabilir.

d. Sıra dışı koşullarda sıvı aküden dışarı akabilir, temastan kaçın. Yanışıklık cilde temas edilirse su ile yıkayın. Gözle temas durumunda ayrıca doktora başvurun. Aküden sıvı akması ciltte tahriş veya yanmaya neden olabilir.

6. Servis

a. Elektrikli aletinizi, sadece orijinal yedek parçaların kullanıldığı yetkili servise tamir ettirin. Bu, elektrikli aletin güvenliğinin muhafaza edilmesini sağlayacaktır.

Matkap/tornavidalar için özel ek güvenlik talimatları

• **Darbeli matkap ile çalışırken kulaklık takın.** Yüksek sese maruz kalmak işitme kaybına yol açabilir.

• **Alette birlikte verilmiş olan yardımcı tutma kollarını kullanın.** Kontrol kaybı kişisel yaralanmalara neden olabilir.

• **Kesme aksesuarının gizli kablolarla temas edebileceği yerlerde çalışma yaparken elektrikli aleti yalıtımlı kavrama yüzeylerinden tutun.** Kesme aksesuarının «akım taşıyan» bir kabloya temas etmesi durumunda elektrikli aletin metal kısımları da «akım taşıyıcı» hale gelecek ve kullanıcının elektrik çarpmasına neden olabilir.

Diğer tehlikeler

Emniyet tedbirlerini düzenleyen yönetmeliğin uygulanmasına ve emniyet sağlayıcı aygıtların kullanılmasına rağmen, başka belirli risklerden kaçınılamaz.

Bunlar:

- Duyuma bozukluğu.
- Sıçrayan parçacıklardan kaynaklanan yaralanma riski.
- Çalışma sırasında ısınan aksesuarlardan kaynaklanan yanık tehlikesi.

– Uzun süreli kullanımdan kaynaklanan yaralanma riski.

Alet üzerindeki etiketler

Aletin etiketinde aşağıdaki semboller tarih kodu ile birlikte bulunabilir:



Uyarı! Yaralanma riskini en aza indirmek için kullanıcı kullanım talimatlarını mutlaka okumalıdır.



Daima koruyucu gözlük takın



Daima koruyucu kulaklık takın

Tarih kodu konumu

İmalat yılını da içeren Tarih Kodu gövdeye basılıdır.

Örnek:

2015 XX JN
İmalat Yılı

Tüm akü şarj cihazları için önemli güvenlik talimatları

BU TALİMATLARI SAKLAYIN: Bu kılavuz SC121 şarj cihazları hakkında önemli güvenlik ve çalıştırma talimatları içerir.

• Şarj cihazını kullanmadan önce şarj cihazının, akünün ve üründe kullanılan akünün üzerindeki talimatları ve uyarıcı işaretleri okuyun.



UYARI: Elektrik çarpması tehlikesi. Şarj cihazının içine sıvı kaçmasına izin vermeyin. Elektrik çarpmasına neden olabilir.



DİKKAT: Yanma tehlikesi. Yaralanma riskini azaltmak için, yalnızca STANLEY şarj edilebilir akülerini şarj edin. Diğer akü tipleri patlayarak yaralanmanıza veya hasar meydana gelmesine yol açabilir.



DİKKAT: Çocuklar, cihazla oynamalarını önlemek amacıyla kontrol altında tutulmalıdır.

İKAZ: Belirli koşullar altında, şarj cihazı güç kaynağına takılıyken, yabancı maddeler tarafından kısa devre yapılabilir. Bunlarla sınırlı olmamak kaydıyla iletken nitelikteki taşlama tozu, metal yongalar, çelik yünü, alüminyum folyo veya metal parçacık birikimi gibi yabancı maddeler şarj cihazının yuvalarından uzak tutulmalıdır. Yuvalarda akü yokken şarj cihazını daima güç kaynağından çıkarın. Şarj cihazının fişini temizlemeden önce çıkarın.

• **Aküyü bu kılavuzdaki şarj cihazlarından başka cihazlarla şarj etmeye ÇALIŞMAYIN.** Şarj cihazı ve akü özellikle birlikte çalışacak şekilde tasarlanmıştır.

• **Bu şarj cihazları STANLEY şarj edilebilir akülerini şarj etmekten başka kullanımlar için tasarlanmamıştır.** Başka kullanımlar yangın veya elektrik çarpmasına yol açabilir.

• **Şarj cihazını yağmura veya kara maruz bırakmayın.**

• **Şarj cihazını fişten çıkarırken kablodan değil fişten tutarak çekin.** Bu, elektrik fişine ve kablosuna hasar verilmesi riskini azaltır.

bazı aletler akünün üzerinde dik durabilir, ancak bunlar kolayca devrilebilir.

LİTYUM İYON (Li-Ion) AKÜLER İÇİN ÖZEL GÜVENLİK TALİMATLARI

• **Önemli ölçüde hasarlı veya tamamen eskimiş olsa bile aküyü ateşe atmayın.** Akü ateşe atılırsa patlayabilir. Lityum iyon aküler yanınca zehirli buharlar ve materyaller açığa çıkar.

• **Akü içeriği cildinizle temas ederse, etkilenen alanı derhal yumuşak bir sabun ve suyla yıkayın.** Akü sıvısı gözlerinize bulaşır, gözünüzü açık tutarak 15 dakika boyunca veya tahriş hissi geçene kadar suyla yıkayın. Tıbbi yardım gerekirse, akü elektroliti sıvı organik karbonatlar ve lityum tuzları karışımından oluşmaktadır.

• **Açılan akü hücrelerinin içeriği solunum yolunu tahriş edebilir.** Ortama temiz hava girmesini sağlayın. Belirtiler geçmezse tıbbi yardım alın.



UYARI: Yanma tehlikesi. Akü sıvısı kıvılcıma veya ateşe maruz kalırsa yanıcı olabilir.

Nakliyat

STANLEY aküler, Tehlikeli Maddelerin Nakliyesi Hakkında BM Tavsiyeleri; Uluslararası Hava Taşımacılığı Birliği (IATA) Tehlikeli Madde Düzenlemeleri, Uluslararası Deniz Taşımacılığı Tehlikeli Madde (IMDG) Düzenlemeleri ve Uluslararası Karayoluyla Tehlikeli madde Taşıma Konulu Avrupa Anlaşması içeriklerinde belirtilen sektörel ve hukuki standartların tüm düzenlemeleriyle uyumludur. Lityum-iyon hücreler ve aküler, Tehlikeli Madde Taşımacılığı Kılavuzu Testleri ve Kriterleri Hakkındaki BM Tavsiyelerinin 38.3. bölümüne kadar test edilmiştir.

Çoğu durumda, STANLEY akünün nakliyatı tamamen düzenlenmiş Sınıf 9 Tehlikeli madde sınıfının dışında kalmaktadır. Genel olarak, Sınıf 9 gerektiren iki örnek şunlardır:

1. İki adetten fazla STANLEY lityum-iyon akünün, pakette yalnızca aküler varken (hiçbir alet olmadan) hava yoluyla taşınması, ve
2. Enerji derecesi 100 Watt Saat (Wh)'den fazla olan lityum-iyon akülerin herhangi bir şekilde taşınması. Tüm lityum-iyon akülerin paketlerinde Watt Saat değeri belirtilmiştir.

Nakliyat kapsamı dışında da kalsa, tamamen düzenlenmiş de olsa, paketleme, etiketleme ve belgeleme gereklilikleri hakkındaki son düzenlemeleri takip etmek nakliyatçıların sorumluluğudur.

Aküleri taşımak eğer akü terminalleri iletken malzemelerle dikkatsizlik sonucu temas ederlerse yangına neden olabilir. Akü nakliyatı yaparken, akü kutuplarının iyi korunduğundan ve kutuplarla temas edip kısa devreye sebep olabilecek maddelerden iyi şekilde izole edildiğinden emin olun.

Kılavuzun bu bölümünde bulunan bilgiler iyi niyetle yazılmıştır ve kılavuzun hazırlandığı tarih itibarıyla doğru olduğuna inanılmaktadır. Fakat, sözlü veya zımnen hiçbir garanti verilmemektedir. Gerçekleştirdiği işlemlerin geçerli düzenlemelerle uyumlu olduğundan emin olmak alıcının sorumluluğundadır.

Akü

AKÜ TİPİ

SCH12 10.8V akülerle çalışır.

Saklama önerileri

1. En iyi saklama ortamı serin ve kuru, doğrudan güneş ışığı almayan, aşırı sıcak ve soğuk olmayan yerlerdir. En uygun akü performansı ve ömrü için kullanımda deęilken aküleri oda sıcaklığında saklayın.

2. Uzun süreli saklama için, en iyi sonuç için şarj cihazından uzak serin, kuru bir yerde tamamen dolu bir akü saklamak için tavsiye edilir.

NOT: Aküler tamamen şarj boşalmış halinde saklanmamalıdır. Akünün kullanılmadan önce yeniden şarj edilmesi gerekir.

Şarj cihazı ve akü üzerindeki etiketler

Bu kılavuzda kullanılan sembollere ilave olarak, şarj cihazı ve akü üzerinde bulunan etiketler aşağıdaki semboller belirtmektedir:



Aletle çalışmaya başlamadan önce bu kılavuzu okuyun.



Şarj süresi için **Teknik Özellikleri** bölümüne bakın.



Akü şarj oluyor.



Akü şarj oldu.



Hasarlı akü.



Sıcak/soğuk akü gecikmesi.



İletken nesnelere temas etmeyin.



Hasarlı aküleri şarj etmeyin.



Suya maruz bırakmayın.



Hasarlı kabloların hemen değiştirilmesini sağlayın.



Sadece 4 °C ila 40 °C arasında şarj edin.



Yalnızca kapalı alanda kullanım icindir.



Aküleri çevremize gerekli ozeni göstererek atın.



LI-ION

Türkçe (Çeviris orijinal talimatlardan yapılmıştır)



STANLEY aküler, yalnızca onlar için tasarlanmış olan STANLEY şarj cihazlarında şarj edin. STANLEY aküleri haricindeki akülerin STANLEY şarj cihazlarıyla şarj edilmesi patlamalarına veya diğer tehlikeli durumların ortaya çıkmasına sebep olabilir.



Aküyü ateşe atmayın.

Ambalajın içeriği

Ambalaj, aşağıdaki parçaları içermektedir:

- 1 Darbeli matkap
- 1 Şarj cihazı
- 2 Akü (S2) veya 1 akü (S1)
- 1 Kullanım kılavuzu

NOT :N modelleriyle birlikte akü ve şarj cihazı verilmemektedir.

- Alette, parçalarda veya aksesuarlarda nakliye sırasında meydana gelmiş olabilecek hasarı kontrol edin.
- Aleti çalıştırmadan önce, bu kullanım kılavuzunu baştan sonra okuyup anlamak için gerekli zamanı ayırın.

ÖZELLİKLER (ŞEKİL A)

1. Açma/kapama tetiği
2. İleri/geri kontrol düğmesi
3. Tork ayarlama bileziği
4. Vites mandalı
5. Anahtarsız mandren
6. Akü çıkartma düğmesi
7. Akü
8. LED aydınlatma
9. Vidalama / delme bileziği

KULLANIM AMACI

Bu darbeli matkap hafif vidalama ve delme işleri için tasarlanmıştır.

Islak koşullarda veya yanıcı sıvı ya da gazların mevcut olduğu ortamlarda **KULLANMAYIN**.

Bu darbeli matkap profesyonel bir elektrikli alettir.

Çocukların aleti ellemesine **İZİN VERMEYİN**. Bu alet deneyimsiz kullanıcılar tarafından kullanılırken nezaret edilmelidir

• Bu ürün fiziksel ve zihinsel kapasitesinin yanı sıra algılama gücü azalmış olan veya yeterince deneyim ve bilgisi bulunmayan kişiler (çocuklar dahil) tarafından kullanılmak üzere üretilmemiştir. Bu tür kişiler ürünü ancak güvenliklerinden sorumlu bir kişi tarafından cihazın kullanımıyla ilgili talimatların verilmesi veya sürekli kontrol altında tutulması durumunda kullanabilir. Çocuklar, bu ürün ile oynamalarını önlemek amacıyla kontrol altında tutulmalıdır.



Elektrik Güvenliği

Elektrik motoru, sadece tek bir gerilim ile çalışacak şekilde ayarlanmıştır. Her zaman akü voltajının aletin üretim etiketinde belirlenmiş değerlere uyup

uymadığını kontrol edin. Aynı zamanda şarj cihazınızın voltajının ana şebeke voltajınızla aynı olduğundan emin olun.

STANLEY şarj cihazınız, EN 60335'e göre çifte yalıtımlıdır. Bu yüzden hiçbir topraklama kablosuna gerek yoktur.

Güç kablosu hasarlıysa, STANLEY yetkili servisinden temin edilebilen özel olarak hazırlanmış bir kabloyla değiştirilmelidir.

Uzatma kablolarının kullanımı

Kesinlikle gerekli olmadıkça bir uzatma kablosu kullanılmamalıdır. Daima şarj cihazınızın elektrik girişine uygun («**Teknik Özellikleri**» bölümüne bakın), onaylı bir uzatma kablosu kullanın. Minimum iletken boyutu 1 mm²'dir; maksimum uzunluk 30 m'dir.

Bir kablo makarası kullanırken, kabloyu daima sonuna kadar açın.

Montaj ve ayarlamalar



UYARI: Montaj ve ayarlama işlemlerinden önce daima aküyü çıkartın. Aküyü takmadan veya çıkartmadan önce daima aletin kapalı olduğundan emin olun.



UYARI: Yalnızca STANLEY akü ve şarj cihazlarını kullanın.

Alete akü takma ve çıkartma (Şekil C)



UYARI: Ciddi yaralanma riskini azaltmak için herhangi bir ayar yapmadan ya da parça veya aksesuarları söküp takmadan önce ileri/geri düğmesini kilitleyin veya aleti kapatın ve aküyü çıkartın. Aletin yanlışlıkla çalıştırılması yaralanmaya neden olabilir.

NOT: Akünün (7) tamamen şarjlı olduğundan emin olun.

AKÜYÜ ALETİN KOLUNA TAKMA

1. Aküyü kolun içindeki raylarla hizalayın.
2. Kilidin yerine oturduğunu duyana kadar yerine doğru sıkıca kaydırın.

AKÜYÜ ALETEN ÇIKARTMA

1. Serbest bırakma düğmesine (6) basın ve aküyü sıkıca çekerek aletin kolundan çıkarın.
2. Aküyü bu kılavuzun şarj cihazı kısmında açıklandığı gibi şarj cihazına takın.

KULLANIM KILAVUZU

Güvenlik uyarıları ve talimatları: Matkaplar

UYARI: Güvenlik talimatlarına ve geçerli yönetmeliklere daima uyun.



UYARI: Ciddi yaralanma riskini azaltmak için herhangi bir ayar yapmadan ya da parça veya aksesuarları söküp takmadan önce ileri/geri düğmesini kilitleyin, aleti kapatın ve güç kaynağından ayırın.

Uygun el pozisyonu (Şekil A, H)



UYARI: Ciddi yaralanma riskini azaltmak için, **DAİMA** şekilde gösterilen uygun el pozisyonunu kullanın.

UYARI: Ciddi yaralanma riskini azaltmak için, ani tepki ihtimaline karşı aleti **DAİMA** sıkıca tutun.

Doğru el pozisyonu bir elin ana kol (9) üzerinde olduğunu numdur.

Açma/kapama tetiği (Şekil A)

Aleti açmak için, açma/kapama tetik düğmesine (1) basın. Aleti kapatmak için, açma/kapama tetik düğmesini bırakın. Aletiniz motor freni ile donatılmıştır. Tetik düğmesini tamamen bıraktıktan sonra mandren duracaktır.

Değişken hız ayarlı tetik belirli bir uygulama için en iyi hız seçmenizi sağlar. Ne kadar fazla tetiğe basarsanız, alet o kadar hızlı çalışacaktır. Maksimum uzun alet ömrü için değişken hız ayarını sadece delik delmeye veya vida sıkıya başlarken kullanın.

NOT: Değişken hız aralığında sürekli kullanım tavsiye edilmez. Bu tetiğe zarar verebilir ve kaçınılmalıdır.

İleri/geri kontrol düğmesi (Şekil A)

- İleri/geri kontrol düğmesi (2) aletin çalışma yönünü belirler ve ayrıca çalışmayı önleyen bir kilitleme görevi görür.
- İleri dönmeyi seçmek için açma/kapama tetiğini bırakın ve aletin sağ tarafındaki ileri/geri kontrol düğmesine basın.
- Ger dönmeyi seçmek için aletin sol tarafındaki ileri/geri kontrol düğmesine basın.

İleri/geri kontrol düğmesi orta konumundayken aleti kapalı konumda kilitlet. İleri/geri kontrol düğmesinin yerini değiştirirken tetiğin serbest bırakıldığından emin olun.

NOT: Aleti dönmeye yönünü değiştirdikten sonra ilk çalıştırınca baştan bir tıklama sesini duyabilirsiniz. Bu normal bir durumdur ve bir sorun olduğuna işaret etmez.

LED aydınlatma

Tork ayarlama bileziğinin (3) altında bir çalışma LED ışığı (8) bulunmaktadır. Tetik düğmesine basıldığında çalışma ışığı devreye girer.

Not: Bu aydınlatma sadece çalışma alanını aydınlatmak için tasarlanmıştır; fener olarak kullanım için değildir.

Tork ayarlama bileziği (Şekil A, D)

Vidalama / delme bileziğini (9) vida sembolüne döndürün. Tork ayarlama bileziği (3) sayılarla açıkça işaretlenmiştir. Bilezik, istenen ayar aletin üstüne gelene kadar çevrilmelidir. Sabitleme torkunu seçerken tahmini ortadan kaldırmak için bilezikte yer bulucular sunulmuştur. Bilezik üzerindeki sayı yükseldikçe, tork da yükselir ve takılacak vida boyutu o kadar büyür. Vidalama / delme bileziğini (9) delme işlemleri için kilitlemek için matkap ucu konumuna getirin.

NOT: Darbeli matkabı delik delmek için kullanırken, vidalama / delme bileziğinin matkap ucu simgesine ayarlanmış ve aletin üst kısmındaki merkez çizgisiyle hizalanmış olduğundan emin olun. Bunun yapılmaması, delik delme işlemi sırasında bileziğin kaymasına neden olur.

Vites mandalı (Şekil A, D)

Aletiniz iki hızlı vites kutusu özelliği ile çok amaçlı kullanım için vitesler arasında geçiş yapmanızı sağlar.

Düşük vitesi (yüksek tork ayarı) seçmek için aleti kapatın ve durmasını bekleyin. Vites mandalını (4) ileriye (mandrene doğru) kaydırın. Yüksek vitesi (düşük tork ayarı) seçmek için aleti kapatın ve durmasını bekleyin. Vites mandalını geriye (mandrenden uzağa) kaydırın.

Not: Alet çalışırken vites değiştirmeyin. Vites değiştirirken sorun yaşıyorsanız vites mandalının tamamen ileri veya tamamen geri itildiğinden emin olun.

Anahtarsız mandren (Şekil E)

Aletiniz, mandrenin tek elle kullanılması için tek döner kovanlı anahtarsız mandren kullanmaktadır. Matkap ucunu veya başka bir aksesuarı takmak için aşağıdaki adımları izleyin.

- Yukarıda açıklandığı gibi tetiği kapalı konumunda kilitleyin.
- Mandrenin siyah kovanını bir elinizle kavrayın ve diğer elinizle aleti tutun. Kovani, istenen aksesuarı takmak için yeterli kadar açılana kadar saatin ters yönünde çevirin.
- Ucu yaklaşık 19 mm mandren içine sokun ve bir elinizle aleti tutarken diğer elinizle mandreni saat yönünde çevirerek sıkın. Aletiniz bir mil kilidi mekanizmasıyla donatılmıştır. Bu, bir elinizle mandreni açıp kapatmanızı sağlar.

Aksesuarı çıkarmak için, 2. adımı tekrarlayın.



UYARI: Mandrenin ön kısmını tutarak ve aleti çalıştırarak matkap uçları (veya başka bir aksesuarı) sıkıya kalkışmayın. Bu yaralanmaya veya mandren hasarına yol açabilir. Aksesuar değiştirirken daima açma/kapama tetiğini kilitleyin.

Maksimum sıklık için bir elle mandreni sıkarken diğer elle de aleti tutun.

Mandren çıkartılması (Şekil F)

Ayarlama bileziğini «matkap» konumuna ve vites mandalını 1. konumuna (düşük hız) ayarlayın. 6,35 mm (1/4") veya daha büyük bir altıgen anahtarın (ambalaja dahil değil) kısa ucunu mandrene sıkıştırın. Ahşap bir tokmak veya benzeri nesneyle şekilde gösterildiği gibi anahtarın uzun ucuna saat yönünde çevirerek vurun. Bu, mandren içindeki vidayı gevşetir.

Mandren kısıklıklarını mümkün olduğunca açın ve vida kafasını kavramak için bir tornavidayı (veya gerekirse tork anahtarını) mandren kısıklıkları arasından sokun. Vidayı saat yönünde (sol oluk) çevirerek sökün. Şekil F'de gösterildiği gibi altıgen anahtar mandren içine yerleştirip sıkın. Ahşap bir tokmak veya benzeri nesneyle şekilde gösterildiği gibi anahtar saatin ters yönünde çevirerek vurun. Bu mandreni gevşetir, böylece el ile sökebilirsiniz.

Mandren takılması (Şekil G)

Mandreni gidebildiği kadar elle vidalayın ve vidayı (sol oluk) takın. Vidayı iyice sıkın. Bir altıgen anahtarın (ambalaja dahil değil) kısa ucunu mandrene sıkıştırın ve anahtarın uzun ucuna ahşap bir tokmakla şekilde gösterildiği gibi saat yönünde vurun. Vidayı saatin ters yönünde tekrar sıkın.

Türkçe (Çeviris orijinal talimatlardan yapılmıştır)

Delme



UYARI: Ciddi yaralanma riskini azaltmak için herhangi bir ayar yapmadan ya da parça veya aksesuarları söküp takmadan önce aleti kapatın ve güç kaynağından ayırın.



UYARI: Kişisel yaralanma riskini azaltmak için, DAİMA üzerinde çalışılan parçanın sıkıca sabitlendiğinden veya sıkıştırıldığından emin olun. İnce malzemeleri deliyorsanız, malzemenin hasar görmesini engellemek için ahşap bir «destekleme» bloğu kullanın.

Delme işlemleri için tork ayarlamaya bileziğini matkap ucu sembolüne getirin. Planlanan işleme uygun hız/tork aralığını seçmek için vites mandalını kullanın.

- Yalnızca keskin matkap uçlarını kullanın. AHŞAP için, ahşap matkap uçları, geniş ağızlı ahşap uçları veya delik testereleler kullanın. METAL için, yüksek hızlı çelik (HHS) uçları, metal matkap uçları, veya delik testereleler kullanın.
- Daima matkap ucuna düz bir çizgide baskı uygulayın. Uca yeterli bir baskı uygulayın, ama motor duracak ya da uç sekecek kadar değil.
- Dönme hareketini kontrol etmek için matkabı her iki elinizle sıkıca tutun.



UYARI: Matkap zorlanırsa aşırı dönme kuvvetine yol açacak şekilde aniden durabilir. Her zaman ani durmaya karşı dikkatli olun. Dönme hareketini kontrol etmek ve yaralanmayı önlemek için matkabı her iki elinizle sıkıca tutun.

• **MATKAP DURURSA**, bunun nedeni genellikle aşırı yüklenmesi veya yanlış kullanılmasıdır. **TETİĞİ DERHAL BIRAKIN**, ucu çıkarın ve durma nedenini belirleyin. **ANİDEN DURMUŞ VEYA SIKIŞMIŞ MATKABI YENİDEN ÇALIŞTIRMAK İÇİN AÇMA/KAPAMA TETİĞİNE SÜREKLİ BASMAYA KALKIŞMAYIN – BU, MATKABA ZARAR VEREBİLİR.**



• Durmayı veya malzemenin kırılmasını en aza indirmek için, matkabın üzerindeki basıncı azaltın ve ucu deliğin son parçasının içinden çıkarın.

• Ucu açılmış deliğinden çekerken motor çalışmasını sağlayın. Bu sıkışmayı önlemeye yardımcı olacaktır.

• Değişken hızlı matkaplarda, delinecek noktayı ortalamaya gerek yoktur. Bir deliği açmaya başlamak için düşük hız kullanın ve delik uç kaymayacak kadar derin olduğunda tetiği daha sert sıkarak hızlandırın.

Darbeli matkabın kullanımı (Şek. D)

1. Bileziği (9) darbeli matkap sembolüne çevirin.
2. Seçiciyi kaydırarak (mandrene doğru) yüksek hız ayarını seçin. Önemli: Sadece karbit veya taş uçlar kullanın.
3. Aşırı sıçramasını veya ucun "yükselmesini" önlemek için darbeli matkaba gereken miktardan daha fazla güç uygulamayın. Çok fazla güç uygulamak delme hızının yavaşlamasına, aşırı ısınmaya ve daha düşük delme performansına neden olacaktır.
4. Ucu doğru açıya getirerek düz bir şekilde delin. Delme sırasında uca yandan basınç uygulamayın; aksi takdirde ucun oluşu tkamasına ve delme hızının düşmesine sebep olursunuz.

5. Derin delikler açarken darbe hızı düşerse, delikteki döküntüyü temizlemek için alet çalıştığı esnada ucu kısmen deliğin dışına çıkarın.

NOT: Tozun delikten düzgün ve pürüzsüz bir şekilde çıkması, uygun delme oranı hızını uygulandığının bir göstergesidir.

Tornavidanın kullanımı

Planlanan işleme uygun hız/tork aralığını seçmek için aletin üst kısmında bulunan iki vites mandalını kullanın.

İsteddiğiniz sabitleyici aksesuarını herhangi bir matkap ucunu taktığınız gibi mandrene takın. Tork ayarlamaya bileziğinin doğru konumunu belirlemek için atık malzemelerin veya görünmeyen bölgelerin üzerinde birkaç deneme yapın.

ÖNERİLEN MAKSİMUM KAPASİTELER

	Düşük Hız-1	Yüksek Hız-2
Uçlar, Metal Delme	6.00 mm	3.00 mm
Ahşap, Düz Delme	19.00 mm	12.00 mm
Delik Testereleler	19.00 mm	16.00 mm

BAKIM

STANLEY elektrikli aletiniz minimum bakımla uzun bir süre çalışacak şekilde tasarlanmıştır. Kesintisiz olarak memnuniyet verici bir şekilde çalışması gerekli özenin gösterilmesine ve düzenli temizliğe bağlıdır.



UYARI: Ciddi yaralanma riskini azaltmak için herhangi bir ayar yapmadan ya da parça veya aksesuarları söküp takmadan önce ileri/geri düğmesini kilitleyin, aleti kapatın ve güç kaynağından ayırın. Aletin yanlışlıkla çalıştırılması yaralanmaya neden olabilir.

Şarj cihazı ve akü bakım gerektirmezler. Aletin içinde bakım yapılabilecek herhangi bir parça yoktur.



Yağlama

Elektrikli aletiniz ek bir yağlama gerektirmemektedir.



Temizleme



UYARI: Havalandırma deliklerinde ve etrafında toz toplanması halinde bu tozu ve kiri kuru hava kullanarak ana gövdeden uzaklaştırın. Bu işlemi gerçekleştirirken onaylı bir göz koruması ve onaylı toz maskesi takın.



UYARI: Aletin metalik olmayan parçalarını temizlemek için asla çözücü veya başka sert kimyasal kullanmayın. Bu kimyasallar bu parçalarda kullanılan malzemeleri güçsüzleştirir. Yalnızca su ve yumuşak sabunla namlendirilmiş bir bez kullanın. Aletin içine sıvı kaçmasına kesinlikle izin vermeyin; aletin herhangi bir parçasını bir sıvı içine daldırmayın.

Şarj cihazı temizleme talimatları



UYARI: Elektrik çarpması tehlikesi. Temizlik işlemi yapmadan önce şarj cihazının fişini AC prizinden çekin. Bir bez veya metalik olmayan yumuşak bir fırça kullanılarak, şarj cihazının dışındaki kir ve yağ çıkartılabilir. Su veya başka bir temizleme çözümü kullanmayın.

Aksesuarlar



Uyarı! STANLEY tarafından tedarik veya tavsiye edilenlerin dışındaki aksesuarlar bu ürün üzerinde test edilmediğinden, söz konusu aksesuarların bu aletle birlikte kullanılması tehlikeli olabilir. Yaralanma riskini azaltmak için bu ürünle birlikte sadece STANLEY tarafından tavsiye edilen aksesuarlar kullanılmalıdır.

Uygun aksesuarlarla ilgili daha ayrıntılı bilgi için bayiinize danışın.

ÇEVRENİN KORUNMASI



Ayrı olarak atın. Bu ürün, normal evsel atıklarla birlikte atılmamalıdır.

STANLEY ürününüzün değiştirilmesi gerektiğini düşünmeniz veya artık kullanılamaz durumda olması halinde onu, evsel atıklarla birlikte atmayın. Bu ürünü, ayrı olarak toplanacak şekilde atın.



Kullanılmış ürünlerin ve ambalajların ayrı olarak toplanması bu maddelerin geri dönüşüme sokularak yeniden kullanılmasına olanak tanır. Geri dönüşümlü maddelerin tekrar kullanılmasında çevre kirliliğinin önlenmesine yardımcı olur ve ham madde ihtiyacını azaltır.

Yerel yönetmelikler, elektrikli ürünlerin evlerden toplanıp belediye atık tesislerine aktarılması veya yeni bir ürün satın alırken perakende satıcı tarafından toplanması yönünde hükümler içerebilir.

AKÜLER



Bu uzun ömürlü akü, daha önce kolayca yapılan işlerde yeterince güç üretemeyecek duruma geldiğinde şarj edilmelidir. Teknik ömürlerinin sonunda, aküleri çevremize gerekli özeni göstererek atın:

Aküyü bitene kadar aleti çalıştırın, sonra aletten çıkartın.

• Li-Ion hücreler geri dönüştürülebilir. Bunları yetkili servise veya yerel toplama merkezine teslim edin. Toplanan aküler geri dönüştürülecek veya uygun şekilde atılacaktır.

Notlar

Stanley politikası gibi, ürünlerimizi sürekli iyileştirme amacıyla önceden haber vermeden ürün özelliklerini değiştirme hakkını saklı tutarız.

- Standart ekipman ve aksesuarlar ülkeye göre değişebilir.
- Ürün özellikleri ülkelere göre farklı olabilir.
- Komple ürün çeşidi tüm ülkelerde geçerli olmayabilir. Ürün çeşidi durumu hakkında lütfen en yakın Stanley yetkili servisiyle temas kurun.

Teknik özellikleri

		SCH12
Voltaj	V_{DC}	10.8
Yüksüz hızı		
1. vites	dev/dak.	0-400
2. vites	dev/dak.	0-1500
Maks.tork	Nm	28
Mandren kapasitesi	mm	10
Maksimum delme kapasitesi		
Ahşap	mm	20
Metal	mm	10
Duvar	mm	8
Şarj Cihazı		SC121
Giriş voltajı	V_{AC}	220-240
Çıkış voltajı	V_{DC}	22
Çıkış akımı(DC)	A	1.25
Yaklaşık şarj süresi	dak	70 (1.5Ah)
Akü		SB12S
Voltaj	V_{DC}	10.8
Kapasite	Ah	1.5
Akü		Li-Ion

EN 60745'e göre ses basıncı düzeyi:

Ses basıncı (LpA) 65.0 dB(A), belirsizlik (K) 3 dB(A)

Akustik güç (LwA) 76 dB(A), belirsizlik (K) 3 dB(A)

EN 60745'e göre tespit edilen toplam titreşim değerleri (üç yönün vektör toplamı):

Metalde delme (ah, D) 0.9 m/s², belirsizlik (K) 1.5 m/s²

Yüksüz çalıştırma (ah, S) 1.1 m/s², belirsizlik (K) 1.5 m/s²

VİBRASYON

Teknik veriler ve uygunluk beyanati içerisinde belirtilen titreşim emisyon değerleri EN60745 tarafından belirlenen standart bir test yöntemiyle uygun olarak ölçülmektedir ve diğer bir aletle karşılaştırma yaparken kullanılabilir. Beyan edilen titreşim emisyon değeri aynı zamanda maruz kalmanın önceden değerlendirilmesinde de kullanılabilir.

UYARI! Elektrikli aletin mevcut kullanım sırasındaki titreşim emisyon değeri, aletin kullanım yöntemine bağlı olarak, beyan edilen değere göre farklılık sergileyebilir. Titreşim düzeyi belirlenen seviyenin üzerinde artış gösterebilir.

İşyerinde düzenli olarak elektrikli alet kullanan çalışanları korumak amacıyla 2002/44/EC tarafından getirilen elektrik güvenliği önlemlerini belirlemek üzere titreşime maruz kalmayı değerlendirirken, çalışma döngüsü içerisinde örneğin aletin kapalı olduğu ve aktif durumda olmasının yanı sıra boşta çalıştığı zamanlar gibi, bütün zaman dilimleri dahil olmak üzere mevcut kullanım durumu ve aletin kullanım şekli göz önünde bulundurularak değerlendirilmelidir.

SERVİS BİLGİLERİ

STANLEY, kendisine ait ve yetkili servisler ile tam bir servis ağı sunmaktadır. Tüm STANLEY Servis Merkezleri müşterilere etkili

Türkçe (Çevirisi orijinal talimatlardan yapılmıştır)

ve güvenilir elektrikli el aleti hizmeti sunmak için eğitimli personel ile donatılmıştır. Yetkili servis merkezlerimiz hakkında daha fazla bilgi almak istiyorsanız veya teknik danışmanlık, onarım ya da orijinal fabrika yedek parçası ihtiyacınız varsa, size en yakın STANLEY satış noktasına başvurun.

İki Yıl Garanti

Sahip olduğunuz STANLEY ürünü satın alma tarihinden itibaren 24 ay içinde hatalı malzeme veya işçilik nedeniyle bozulursa, STANLEY aşağıdaki şartlara uyulması koşuluyla ücretsiz olarak tüm kusurlu parçaların yenilenmesini veya -kendi inisiyatifine bağlı olarak- satın alınan ürünün değiştirilmesini garanti eder:

- Ürün, hatalı kullanılmamış kullanım kılavuzuna uygun kullanılmıştır.
- Ürün yıpranmamış, hırpalanmamış ve aşınmamıştır;
- Yetkili olmayan kişilerce tamire çalışılmamıştır.
- Satın alma belgesi (fatura) ibraz edilmiştir;
- STANLEY ürünü, tüm orijinal parçaları ile birlikte iade edilmiştir;
- Ürün kiralama amacıyla kullanılmamıştır.

Garanti talebinde bulunmak için, lütfen satıcıyla irtibata geçin veya STANLEY katalogunda belirtilen size en yakın STANLEY yetkili satıcı adresini kontrol edin veya ürünün kılavuzunda belirtilen adresteki yerel STANLEY yetkili tamir servisi ile temas kurun. İnternet'ten STANLEY yetkili tamir servislerinin listesine ve satış sonrası hizmetlerimizle ilgili tüm bilgilerine aşağıdaki siteden ulaşabilirsiniz: www.2helpU.com

AT Uygunluk Beyanatı MAKİNE DİREKTİFİ



SCH12 – Darbeli Matkap

STANLEY, «teknik özellikleri» bölümünde açıklanan bu ürünlerin aşağıda belirtilen yönergelere uygun olduğunu beyan eder: 2006/42/EC, EN 60745-1:2009 + A11:2010, EN 60745-2-1:2010
Bu ürünler ayrıca 2004/108/EC (19/04/2016 tarihine kadar), 2014/30/EU (20/04/2016 tarihinden itibaren) ve 2011/65/EU Direktiflerine de uygundur. Daha fazla bilgi için, lütfen aşağıdaki adresten STANLEY ile irtibata geçin veya kılavuzun arkasına bakın.
Bu belge altında imzası bulunan yetkili, teknik dosyanın derlenmesinden sorumludur ve bu beyanı STANLEY adına vermiştir.

R.Laverick
Mühendislik Bölümü Müdürü
STANLEY, Europe, Egide Walschaertsstraat14-18,
2800 Mechelen, Belçika
01.2016

Sanayi ve Ticaret Bakanlığı tebliğince kullanım ömrü 7 yıldır.
Türkiye Distribütörü
STANLEY BLACK&DECKER TURKEY ALET ÜRETİM
SAN. TIC. LTD.STİ.
Kozyatağı Mh Değirmen Sk. Nida Kule No:18 Kat:6
34742 Kadıköy İstanbul
Tel : (0216) 665 29 00
Faks : (0216) 665 29 01
E-posta: info-tr@sbdinc.com