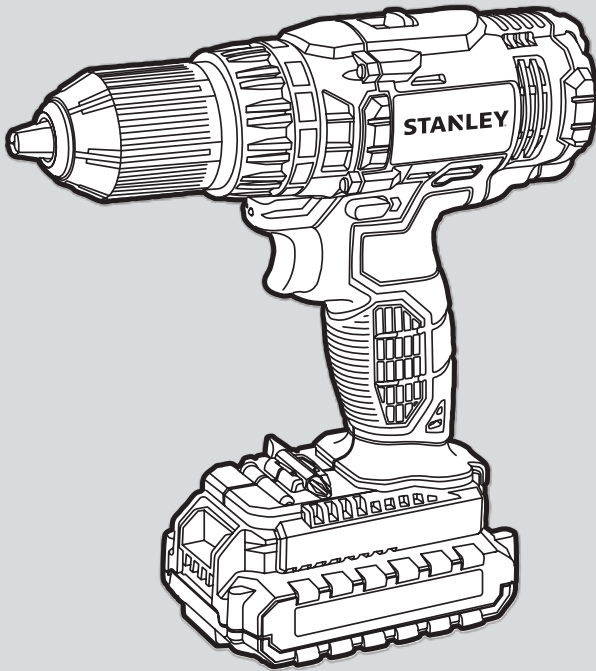


# STANLEY



SCD20

English	Page	4
French	Page	15
العربية	Page	35

FIG. A

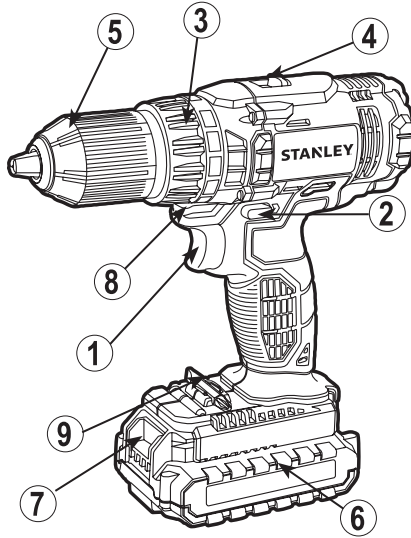


FIG. B

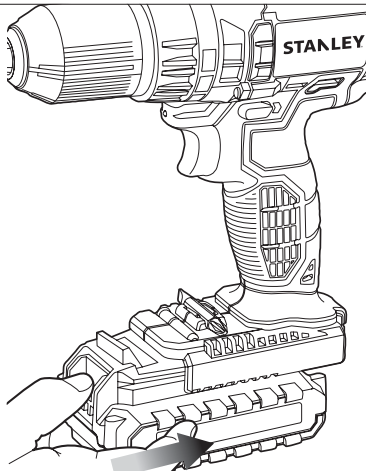


FIG. C

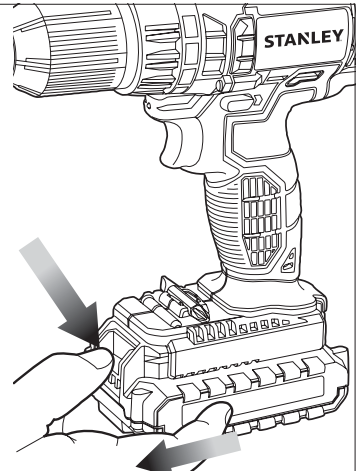


FIG. D

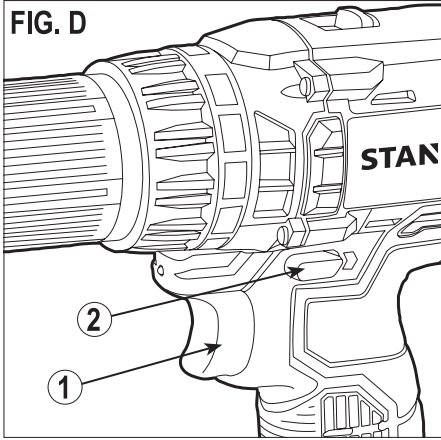


FIG. E

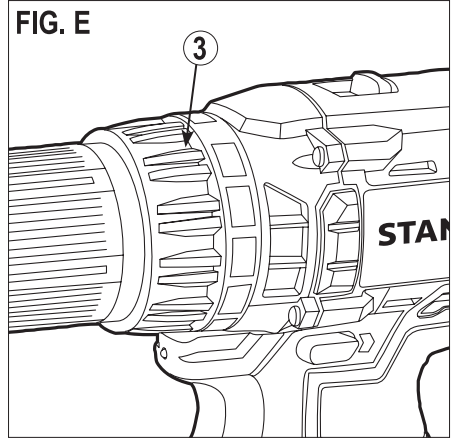


FIG. F

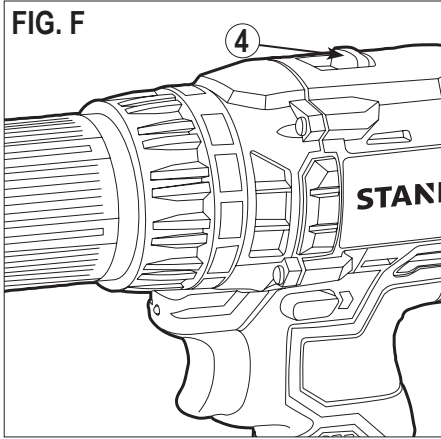
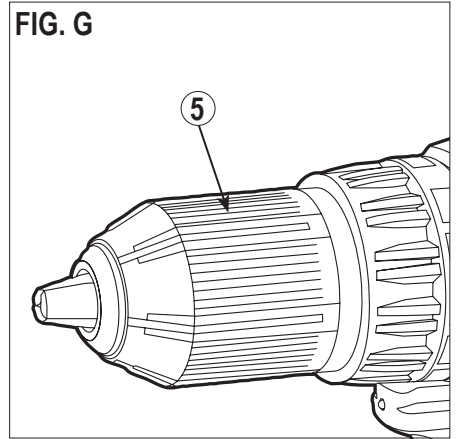


FIG. G



## Intended use

Your STANLEY drill/screwdriver SCD20 has been designed for screwdriving applications and for drilling in wood, metal and plastics. This tool is intended for semi-professional and professional use.

## Safety instructions

### General power tool safety warnings



**Warning!** Read all safety warnings and instructions. Failure to follow the warnings and instructions may result in electric shock, fire and/or serious injury.

### Save all warnings and instructions for future reference.

The term "power tool" in the warnings refers to your mainsoperated (corded) power tool or battery-operated (cordless) power tool.

#### 1. Work area safety

- a. **Keep work area clean and well lit.** Cluttered or dark areas invite accidents.
- b. **Do not operate power tools in explosive atmospheres, such as in the presence of flammable liquids, gases or dust.** Power tools create sparks which may ignite the dust or fumes.
- c. **Keep children and bystanders away while operating a power tool.** Distractions can cause you to lose control.

#### 2. Electrical safety

- a. **Power tool plugs must match the outlet. Never modify the plug in any way. Do not use any adapter plugs with earthed (grounded) power tools.** Unmodified plugs and matching outlets will reduce risk of electric shock.
- b. **Avoid body contact with earthed or grounded surfaces such as pipes, radiators, ranges and refrigerators.** There is an increased risk of electric shock if your body is earthed or grounded.
- c. **Do not expose power tools to rain or wet conditions.** Water entering a power tool will increase the risk of electric shock.

- d. **Do not abuse the cord. Never use the cord for carrying, pulling or unplugging the power tool. Keep cord away from heat, oil, sharp edges or moving parts.** Damaged or entangled cords increase the risk of electric shock.
- e. **When operating a power tool outdoors, use an extension cord suitable for outdoor use.** Use of a cord suitable for outdoor use reduces the risk of electric shock.
- f. **If operating a power tool in a damp location is unavoidable, use a residual current device (RCD) protected supply.** Use of an RCD reduces the risk of electric shock.

#### 3. Personal safety

- a. **Stay alert, watch what you are doing and use common sense when operating a power tool. Do not use a power tool while you are tired or under the influence of drugs, alcohol or medication.** A moment of inattention while operating power tools may result in serious personal injury.
- b. **Use safety equipment. Always wear eye protection.** Safety equipment such as dust mask, non-skid safety shoes, hard hat, or hearing protection used for appropriate conditions will reduce personal injuries.
- c. **Prevent unintentional starting. Ensure the switch is in the off-position before connecting to power source and/or battery pack, picking up or carrying the tool.** Carrying power tools with your finger on the switch or energising power tools that have the switch on invites accidents.
- d. **Remove any adjusting key or wrench before turning the power tool on.** A wrench or a key left attached to a rotating part of the power tool may result in personal injury.
- e. **Do not overreach. Keep proper footing and balance at all times.** This enables better control of the power tool in unexpected situations.
- f. **Dress properly. Do not wear loose clothing or jewellery. Keep your hair, clothing and gloves away from moving parts.** Loose clothes, jewellery or long hair can be caught in moving parts.

**g. If devices are provided for the connection of dust extraction and collection facilities, ensure these are connected and properly used.** Use of dust collection can reduce dust-related hazards.

#### 4. Power tool use and care

**a. Do not force the power tool. Use the correct power tool for your application.** The correct power tool will do the job better and safer at the rate for which it was designed.

**b. Do not use the power tool if the switch does not turn it on and off.** Any power tool that cannot be controlled with the switch is dangerous and must be repaired.

**c. Disconnect the plug from the power source before making any adjustments, changing accessories, or storing power tools.** Such preventive safety measures reduce the risk of starting the power tool accidentally.

**d. Store idle power tools out of the reach of children and do not allow persons unfamiliar with the power tool or these instructions to operate the power tool.** Power tools are dangerous in the hands of untrained users.

**e. Maintain power tools. Check for misalignment or binding of moving parts, breakage of parts and any other condition that may affect the power tools operation. If damaged, have the power tool repaired before use.** Many accidents are caused by poorly maintained power tools.

**f. Keep cutting tools sharp and clean.** Properly maintained cutting tools with sharp cutting edges are less likely to bind and are easier to control.

**g. Use the power tool, accessories and tool bits etc., in accordance with these instructions and in the manner intended for the particular type of power tool, taking into account the working conditions and the work to be performed.** Use of the power tool for operations different from those intended could result in a hazardous situation.

#### 5. Battery tool use and care

**a. Recharge only with the charger specified by the manufacturer.** A charger that is suitable for one type of battery pack may create a risk of fire when used with another battery pack.

**b. Use Power tools only with specifically designated**

**battery packs.** Use of any other battery packs may create a risk of injury and fire.

**c. When battery pack is not in use, keep it away from other metal objects, like paper clips, coins, keys, nails, screws, or other small metal objects, that can make a connection from one terminal to another.**

Shorting the battery terminals together may cause burns or a fire.

**d. Under abusive conditions, liquid may be ejected from the battery; avoid contact. If contact accidentally occurs, flush with water. If liquid contacts eyes, additionally seek medical help.** Liquid ejected from the battery may cause irritation or burns.

#### 6. Service

**a. Have your power tool serviced by a qualified repair person using only identical replacement parts.** This will ensure that the safety of the power tool is maintained.

#### Additional specific safety rules for drill/drivers

- **Wear ear protectors when impact drilling.** Exposure to noise can cause hearing loss.
- **Use auxiliary handle(s), if supplied with the tool.** Loss of control can cause personal injury.
- **Hold power tool by insulated gripping surfaces when performing an operation where the cutting accessory may contact hidden wiring.** Cutting accessory contacting a "live" wire may make exposed metal parts of the power tool "live" and could give the operator an electric shock.

#### Residual risks









In spite of the application of the relevant safety regulations and the implementation of safety devices, certain residual risks cannot be avoided.

These are:

- Impairment of hearing.
- Risk of personal injury due to flying particles.
- Risk of burns due to accessories becoming hot during operation.
- Risk of personal injury due to prolonged use.

**Labels on tool**

The label on your tool may include the following symbols along with the date code:

	Read Instructions Manual	Hz ..... Hertz		Class II Construction
	Use Eye Protection	W ..... Watts		Earthing Terminal
	Use Ear Protection	min ..... minutes		Safety Alert Symbol
			...../min..	Revolutions or Reciprocation per minute
				
V ..... Volts		$n_0$ ..... No-Load Speed		
A ..... Amperes				

**Position of date barcode**

The Date Code, which also includes the year of manufacture, is printed into the housing.


Example:


2014 XX JN  
Year of manufacturing


**Important safety instructions for all battery chargers**

**Save these instructions:** This manual contains important safety and operating instructions for the SC201 battery chargers.

- Before using charger, read all instructions and cautionary markings on charger, battery pack, and product using battery pack.

 **Warning:** Shock hazard. Do not allow any liquid to get inside charger. Electric shock may result.

 **Caution:** Burn hazard. To reduce the risk of injury, charge only STANLEY rechargeable batteries. Other types of batteries may burst causing personal injury and damage.

 **Caution:** Children should be supervised to ensure that they do not play with the appliance.

**Notice:** Under certain conditions, with the charger plugged in to the power supply, the charger can be shorted by foreign material. Foreign materials of a conductive nature such as, but not limited to, grinding dust, metal chips, steel wool, aluminum foil, or any buildup of metallic particles should be kept away from charger cavities. Always unplug the charger from

the power supply when there is no battery pack in the cavity. Unplug charger before attempting to clean.

- **Do not attempt to charge the battery pack with any chargers other than the ones in this manual.** The charger and battery pack are specifically designed to work together.
- **These chargers are not intended for any uses other than charging STANLEY rechargeable batteries.** Any other uses may result in risk of fire, electric shock or electrocution.
- **Do not expose charger to rain or snow.**
- **Pull by plug rather than cord when disconnecting charger.** This will reduce risk of damage to electric plug and cord.
- **Make sure that cord is located so that it will not be stepped on, tripped over, or otherwise subjected to damage or stress.**
- **Do not use an extension cord unless it is absolutely necessary.** Use of improper extension cord could result in risk of fire, electric shock, or electrocution.
- **Do not place any object on top of charger or place the charger on a soft surface that might block the ventilation slots and result in excessive internal heat.** Place the charger in a position away from any heat source. The charger is ventilated through slots in the top and the bottom of the housing.
- **Do not operate charger with damaged cord or plug** — have them replaced immediately.
- **Do not operate charger if it has received a sharp blow, been dropped, or otherwise damaged in any way.** Take it to an authorised service centre.
- **Do not disassemble charger; take it to an authorised service centre when service or repair is required.** Incorrect reassembly may result in a risk of electric shock, electrocution or fire.
- In case of damaged power supply cord the supply cord must be replaced immediately by the manufacturer, its service agent or similar qualified person to prevent any hazard.

- **Disconnect the charger from the outlet before attempting any cleaning. This will reduce the risk of electric shock.** Removing the battery pack will not reduce this risk.
- **Never** attempt to connect 2 chargers together.
- **The charger is designed to operate on standard household electrical power. Do not attempt to use it on any other voltage.** This does not apply to the vehicular charger.

## Save these instructions

### Chargers

The SC201/ SC202 accept 18V batteries.

These chargers require no adjustment and are designed to be as easy as possible to operate.







### Charging Procedure (fig. 2)

1. Plug the charger (j) into an appropriate outlet before inserting battery pack.
2. Insert the battery pack (g) into the charger. The red (charging) light will blink continuously indicating that the charging process has started.
3. The completion of charge will be indicated by the red light remaining ON continuously. The pack is fully charged and may be used at this time or left in the charger.

**Note:** To ensure maximum performance and life of Li-Ion batteries, charge the battery pack fully before first use.

### Charging Process

Refer the tables below for the state of charge of the battery pack.

State of charge—SC201	
 charging — — — — —	
 fully charged —————	
 hot/cold pack delay — — — — —	

### Hot/Cold pack delay

SC201/ SC202

When the charger detects a battery that is hot, it automatically delays charging until the battery has cooled.

When the charger detects a battery that is cold, it automatically delays charging until the battery has warmed.

The red light will continue to blink, but a yellow indicator light will be illuminated during this operation. Once the battery has cooled, the yellow light will turn off and the charger will resume the charging procedure.

Stanley Li-Ion tools are designed with an Electronic Protection System that will protect the battery against overloading, overheating or deep discharge.

The tool will automatically turn off if the Electronic Protection System engages. If this occurs, place the Li-Ion battery on the charger until it is fully charged.

### Li-Ion battery packs only

Li-Ion batteries are designed with an Electronic Protection System that will protect the battery against overloading, overheating or deep discharge.

The tool will automatically turn off if the Electronic Protection System engages. If this occurs, place the Li-Ion battery on the charger until it is fully charged.

### Important safety instructions for all battery packs

When ordering replacement battery packs, be sure to include catalog number and voltage.

The battery pack is not fully charged out of the carton. Before using the battery pack and charger, read the safety instructions below. Then follow charging procedures outlined.

### Read all instructions

- Do not charge or use battery in explosive atmospheres, such as in the presence of flammable liquids, gases or dust. Inserting or removing the battery from the charger may ignite the dust or fumes.
- Never force battery pack into charger. Do not modify battery pack in any way to fit into a non-compatible charger as battery pack may rupture causing serious personal injury.
- Charge the battery packs only in STANLEY chargers.
- DO NOT splash or immerse in water or other liquids.

- Do not store or use the tool and battery pack in locations where the temperature may reach or exceed 40°C (105°F) (such as outside sheds or metal buildings in summer).



**Warning:** Never attempt to open the battery pack for any reason. If battery pack case is cracked or damaged, do not insert into charger. Do not crush, drop or damage battery pack. Do not use a battery pack or charger that has received a sharp blow, been dropped, run over or damaged in any way (i.e., pierced with a nail, hit with a hammer, stepped on). Electric shock or electrocution may result. Damaged battery packs should be returned to service centre for recycling.



**Caution:** When not in use, place tool on its side on a stable surface where it will not cause a tripping or falling hazard. Some tools with large battery packs will stand upright on the battery pack but may be easily knocked over.

### Specific safety instructions for lithium ion (Li-Ion)

- Do not incinerate the battery pack even if it is severely damaged or is completely worn out. The battery pack can explode in a fire. Toxic fumes and materials are created when lithium ion battery packs are burned.
- If battery contents come into contact with the skin, immediately wash area with mild soap and water. If battery liquid gets into the eye, rinse water over the open eye for 15 minutes or until irritation ceases. If medical attention is needed, the battery electrolyte is composed of a mixture of liquid organic carbonates and lithium salts.
- Contents of opened battery cells may cause respiratory irritation. Provide fresh air. If symptoms persists, seek medical attention.



**Warning:** Burn hazard. Battery liquid may be flammable if exposed to spark or flame.

### Transportation

STANLEY batteries comply with all applicable shipping regulations as prescribed by industry and legal standards which include UN Recommendations on the Transport of Dangerous Goods; International Air Transport Association (IATA) Dangerous Goods Regulations, International Maritime Dangerous Goods (IMDG) Regulations, and the European Agreement Concerning The International Carriage of

Dangerous Goods by Road (ADR). Lithium-ion cells and batteries have been tested to section 38.3 of the UN Recommendations on the Transport of Dangerous Goods Manual of Tests and Criteria.

In most instances, shipping a STANLEY battery pack will be excepted from being classified as a fully regulated Class 9 Hazardous material. In general, the two instances that require shipping Class 9 are:

1. Air shipping more than two STANLEY lithium-ion battery packs when the package contains only battery packs (no tools), and
2. Any shipment containing a lithium-ion battery with an energy rating greater than 100 watt hours (Wh). All lithium-ion batteries have the watt hour rating marked on the pack.

Regardless of whether a shipment is considered excepted or fully regulated, it is the shipper's responsibility to consult the latest regulations for packaging, labeling/marketing and documentation requirements.

Transporting batteries can possibly cause fire if the battery terminals inadvertently come in contact with conductive materials. When transporting batteries, make sure that the battery terminals are protected and well insulated from materials that could contact them and cause a short circuit.

The information provided in this section of the manual is provided in good faith and believed to be accurate at the time the document was created. However, no warranty, expressed or implied, is given. It is the buyer's responsibility to ensure that its activities comply with the applicable regulations.

### Battery Pack

#### Battery type

The SCD20 operates on a 18V battery pack.

#### Storage recommendations

1. The best storage place is one that is cool and dry away from direct sunlight and excess heat or cold. For optimum battery performance and life, store battery packs at room temperature when not in use.
2. For long storage, it is recommended to store a fully charged battery pack in a cool, dry place out of the charger for optimal results.



**Note:** Battery packs should not be stored completely depleted of charge. The battery pack will need to be recharged before use.

## Labels on charger and battery pack

In addition to the pictographs used in this manual, the labels on the charger and the battery pack may show the following pictographs:



Read instruction manual before use.



See Technical Data for charging time.



100% Battery charging.



100% Battery charged.



Battery defective.



Hot/cold pack delay.



Do not probe with conductive objects.



Do not charge damaged battery packs.



Do not expose to water.



Have defective cords replaced immediately.



Charge only between 4 °C and 40 °C.



Only for indoor use.



Discard the battery pack with due care for the environment.



Charge STANLEY battery packs only with designated STANLEY chargers. Charging battery packs other than the designated STANLEY batteries with a STANLEY charger may make them burst or lead to other dangerous situations.



Do not incinerate the battery pack.

## Package contents

The package contains:

- 1 Drill/driver
- 1 Charger
- 2 Batteries (C2) or 1 Battery (C1)
- 1 Instruction manual

**Note:** Battery packs and chargers are not included with N-models.

- Check for damage to the tool, parts or accessories which may have occurred during transport.
- Take the time to thoroughly read and understand this manual prior to operation.

## Storage recommendations

1. The best storage place is one that is cool and dry away from direct sunlight and excess heat or cold.
2. Long storage will not harm the battery pack or charger.

## Features (Fig. A)

1. Trigger Switch
2. Forward/Reverse Button
3. Torque Adjust Collar
4. Dual Range Gear Selector
5. Keyless Chuck
6. Battery
7. Battery Release Button
8. LED Work Light
9. Bit Tip Holder

## Intended use

This drill/driver is designed for light fastening and drilling applications.

**Do not** use under wet conditions or in presence of flammable liquids or gases.

This drill/driver is a professional power tool.

**Do not** let children come into contact with the tool. Supervision is required when inexperienced operators use this tool.

- This product is not intended for use by persons (including children) suffering from diminished physical, sensory or mental abilities, or for lack of experience and/or for want of knowledge or skills unless they are supervised by a person responsible for their safety. Children should never be left alone to play with this product.

### Electrical safety

The electric motor has been designed for one voltage only. Always check that the battery pack voltage corresponds to the voltage on the rating plate. Also make sure that the voltage of your charger corresponds to that of your mains.



Your STANLEY charger is double insulated in accordance with EN 60335; therefore no earth wire is required. If the supply cord is damaged, it must be replaced by a specially prepared cord available through the STANLEY service organisation.

### Using an extension cable

An extension cord should not be used unless absolutely necessary. Use an approved extension cable suitable for the power input of your charger (see Technical Data). The minimum conductor size is 1 mm<sup>2</sup>; the maximum length is 30 m.

When using a cable reel, always unwind the cable completely.

### Assembly and adjustments



**Warning:** Prior to assembly and adjustment, always remove the battery pack. Always switch off the tool before inserting or removing the battery pack.



**Warning:** Use only STANLEY battery packs and chargers.

### Inserting and removing the battery pack from the tool (fig. 3)



**Warning:** To reduce the risk of serious personal injury, place the forward/reverse button in the lock-off position or turn tool off and disconnect battery pack before making any adjustments or removing/installing attachments or accessories. An accidental start-up can cause injury.

**Note:** Make sure your battery pack (g) is fully charged.

#### To install the battery pack into the tool handle

1. Align the battery pack with the rails inside the handle.
2. Slide it firmly into place until you hear the lock snap into place.

#### To remove the battery pack from the tool

1. Press the release button (f) and firmly pull the battery pack out of the tool handle.
2. Insert battery pack into the charger as described in the charger section of this manual.

### Operating instructions

Safety warnings and instructions: Drills



**Warning!** Before using tool, read all instructions and cautionary markings on tool.



**Warning!** Drill may stall (if overloaded or improperly used) causing a twist. Always expect the stall. Grip the drill firmly with two hands to control the twisting action and prevent loss of control which could cause personal injury. If a stall does occur, release the trigger immediately and determine the reason for the stall before re-starting.

#### Trigger switch & forward/reverse button (Fig. D)

- The drill is turned ON and OFF by pulling and releasing the trigger switch (1) shown in Fig. D. The farther the trigger is depressed, the higher the speed of the drill.
- A forward/reverse control button (2) determines the rotational direction of the tool and also serves as a lock off button.

- To select forward rotation, release the trigger switch and depress the forward/reverse control button on the right side of the tool.
- To select reverse, depress the forward/reverse control button on the left side of the tool.
- The center position of the control button locks the tool in the off position. When changing the position of the control button, be sure the trigger is released.

### Adjusting torque control (Fig. E)

This tool is fitted with a torque adjustment collar (3) to select the operating mode and to set the torque for tightening screws. Large screws and hard workpiece materials require a higher torque setting than small screws and soft workpiece materials.

- For drilling in wood, metal and plastics, set the collar to the drilling position symbol .
- For screwdriving, set the collar to the desired setting. If you do not yet know the appropriate setting, proceed as follows:
  - Set the collar to the lowest torque setting.
  - Tighten the first screw.
  - If the clutch ratchets before the desired result is achieved, increase the collar setting and continue tightening the screw. Repeat until you reach the correct setting. Use this setting for the remaining screws.

### Dual range switch (Fig. F)

The dual range feature of your drill allows you to shift gears for greater versatility.

- To select low speed, high torque setting (position 1), turn tool off and permit to stop. Slide gear shifter button (4) away from the chuck.
- To select the high speed, low torque setting (position 2), turn tool off and permit to stop. Slide gear shifter button back toward the chuck.

**Note:** Do not change gears when tool is running. If you are having trouble changing gears, make sure that the dual range gear button is either completely pushed forward or completely pushed back.

### Keyless chuck (Fig. G)



**Warning!** Make certain the battery pack is removed to prevent tool actuation before installing or removing accessories.

To insert a drill bit or other accessory:

1. Grasp the chuck (5) and rotate it in the counterclockwise direction, as viewed from the chuck end.
2. Insert the bit or other accessory fully into the chuck, and tighten securely by rotating the chuck in the clockwise direction as viewed from the chuck end.



**Warning!** Do not attempt to tighten or loosen drill bits (or any other accessory) by gripping the front part of the chuck and turning the tool on. Damage to the chuck and personal injury may occur when changing accessories.

### Screw driving

- For driving fasteners, the forward/reverse button should be pushed to the left.
- Use reverse (button pushed to the right) for removing fasteners.

**Note:** When moving from forward to reverse, or vice versa, always release the trigger switch first.

### Drilling

- Use sharp drill bits only.
- Support and secure work properly, as instructed in the Safety Instructions.
- Use appropriate and required safety equipment, as instructed in the SafetyInstructions.
- Secure and maintain work area, as instructed in the SafetyInstructions.
- Run the drill very slowly, using light pressure, until the hole is started enough to keep the drill bit from slipping out of it.
- Apply pressure in a straight line with the bit. Use enough pressure to keep the bit biting but not so much as to stall the motor or deflect the bit.

- Hold the drill firmly with two hands, one hand on the handle, and the other gripping the bottom around the battery area or the auxiliary handle if provided.
- Do not click the trigger of a stalled drill off and on in an attempt to start it. Damage to the drill can result.
- Minimize stalling on break through by reducing pressure and slowly drilling through the last part of the hole.
- Keep the motor running while pulling the bit out of a drilled hole. This will help reduce jamming.
- Make sure switch turns drill on and off.

### Drilling in wood

Holes in wood can be made with the same twist drill bits used for metal or with spade bits. These bits should be sharp and should be pulled out frequently when drilling to clear chips from the flutes.

### Drilling in metal

Use a cutting lubricant when drilling metals. The exceptions are cast iron and brass which should be drilled dry. The cutting lubricants that work best are sulfurized cutting oil or lard oil.

### LED work light

When drill is activated by pulling the trigger switch (1), the integrated LED work light (8) will automatically illuminate the work area.

**Note:** The work light is for lighting the immediate work surface and is not intended to be used as a flashlight.

### Bit tip storage

A bit storage slot (9) is built into the base of the tool.

### Maintenance

Use only mild soap and damp cloth to clean the tool. Never let any liquid get inside the tool; never immerse any part of the tool into a liquid.



Important! To ensure product SAFETY and RELIABILITY, repairs, maintenance and adjustment (other than those listed in this manual) should be performed by authorized service centers or other qualified organizations, always using identical

replacement parts. Unit contains no user service able parts inside.

### Accessories



Warning! Since accessories, other than those offered by STANLEY have not been tested with this product, use of such accessories with this tool could be hazardous. To reduce the risk of injury, only STANLEY recommended accessories should be used with this product.

### Batteries



STANLEY batteries can be recharged many times. At the end of their useful life, discard batteries with due care for our environment:

- Run the battery down completely, then remove it from the tool.
- NiCd, NiMH and Li-Ion batteries are recyclable. Take them to any authorised repair agent or a local recycling station.

### Remarks

Stanley's policy is one of continuous improvement to our products and as such, we reserve the right to modify product specifications without prior notice.

- Standard equipment and accessories may vary by country.
- Product specifications may differ by country.
- Complete product range may not be available in all countries. Contact your local Stanley dealers for range availability.

### Technical data

		SCD20
Voltage	$V_{DC}$	18
No-load speed	$\text{min}^{-1}$	0-350 / 0-1500
Max torque	Nm	29.4
Chuck capacity	mm	13
<b>Charger</b>		<b>SC201 / SC202</b>
Input Voltage	$V_{AC}$	220 - 240

Output Voltage	$V_{DC}$	18
Output Current (DC)	A	1.0 / 2.0
Approx. charge time	min	75 / 45
<b>Battery</b>		<b>SB20C</b>
Voltage	$V_{DC}$	18
Capacity	Ah	1.3
Type		Li-Ion

## Vibration

The declared vibration emission values stated in the technical data and the declaration of conformity have been measured in accordance with a standard test method provided by EN 60745 and may be used for comparing one tool with another. The declared vibration emission value may also be used in a preliminary assessment of exposure.

**Warning!** The vibration emission value during actual use of the power tool can differ from the declared value depending on the ways in which the tool is used. The vibration level may increase above the level stated.

When assessing vibration exposure to determine safety measures required by 2002/44/EC to protect persons regularly using power tools in employment, an estimation of vibration exposure should consider, the actual conditions of use and the way the tool is used, including taking account of all parts of the operating cycle such as the times when the tool is switched off and when it is running idle in addition to the trigger time.

## Service information

STANLEY offers a full network of company-owned and authorized service locations. All STANLEY Service Centers are staffed with trained personnel to provide customers with efficient and reliable power tool service. For more information about our authorized service centers and if you need technical advice, repair, or genuine factory replacement parts, contact the STANLEY location nearest you.

## Protecting the environment



Separate collection. This product must not be disposed of with normal household waste.

Should you find one day that your Stanley product needs replacement, or if it is of no further use to you, do not dispose of it with household waste. Make this product available for separate collection.



Separate collection of used products and packaging allows materials to be recycled and used again.

Re-use of recycled materials helps prevent environmental pollution and reduces the demand for raw materials.

Local regulations may provide for separate collection of electrical products from the household, at municipal waste sites or by the retailer when you purchase a new product. Stanley provides a facility for the collection and recycling of Stanley products once they have reached the end of their working life. To take advantage of this service please return your product to any authorised repair agent who will collect them on our behalf.

You can check the location of your nearest authorised repair agent by contacting your local Stanley office at the address indicated in this manual. Alternatively, a list of authorised Stanley repair agents and full details of our after-sales service and contacts are available on the Internet at: [www.2helpU.com](http://www.2helpU.com)

## **One year warranty**

If your Stanley product becomes defective due to faulty materials or workmanship within 12 months from the date of purchase, Stanley Europe guarantees to replace all defective parts free of charge or – at our discretion – replace the unit free of charge provided that:

- The product has not been misused and has been used in accordance with the instruction manual.
- The product has been subject to fair wear and tear;
- Repairs have not been attempted by unauthorised persons;
- Proof of purchase is produced.
- The Stanley product is returned complete with all original components

If you wish to make a claim, contact your seller or check the location of your nearest authorised Stanley repair agent in the Stanley catalogue or contact your local Stanley office at the address indicated in this manual. A list of authorised Stanley repair agents and full details of our after sales service is available on the internet at: [www.stanleytools.com](http://www.stanleytools.com)

## Usage prévu

Votre perceuse/visseuse STANLEY SCD20 est conçue pour les opérations de vissage et pour percer le bois, le métal et le plastique. Cet outil est prévu pour un usage semi-professionnel et professionnel.

## Consignes de sécurité

### Consignes de sécurité concernant les outils électroportatifs



**Attention ! Lisez avec attention tous les avertissements et toutes les instructions.** Le non-respect de cette consigne peut entraîner une électrocution, un incendie et/ou de graves blessures.

### Conservez tous les avertissements et instructions pour référence ultérieure.

La notion d'« outil électroportatif » mentionnée par la suite se rapporte à des outils électriques raccordés au secteur (avec câble de raccordement) ou fonctionnant avec piles (sans fil).

1. **Sécurité de la zone de travail**
    - a. **Maintenez la zone de travail propre et bien éclairée.** Un lieu de travail en désordre ou mal éclairé augmente le risque d'accidents.
    - b. **N'utilisez pas les outils électroportatifs dans un environnement présentant des risques d'explosion ni en présence de liquides, gaz ou poussières inflammables.** Les outils électroportatifs génèrent des étincelles risquant d'enflammer les poussières ou les vapeurs.
    - c. **Tenez les enfants et autres personnes éloignés durant l'utilisation de l'outil électroportatif.** En cas d'inattention, vous risquez de perdre le contrôle.
  2. **Sécurité électrique**
    - a. **La prise de l'outil électroportatif doit être compatible avec la prise d'alimentation. Ne modifiez en aucun cas la prise. N'utilisez pas de prises d'adaptateur avec des appareils ayant une prise de terre.** Le respect de ces consignes réduit le risque de choc électrique.
    - b. **Évitez le contact physique avec des surfaces mises à la terre telles que tuyaux, radiateurs, fours et réfrigérateurs.** Il y a un risque élevé de choc électrique si votre corps est relié à la terre.
  - c. **N'exposez pas l'outil électroportatif à la pluie ou à l'humidité.** La pénétration d'eau dans un outil électroportatif augmente le risque de choc électrique.
  - d. **Préservez le câble d'alimentation. N'utilisez pas le câble pour porter l'outil. Ne le tirez pas pour le débrancher. Maintenez le câble éloigné des sources de chaleurs, des parties huilées, des bords tranchants ou des parties de l'appareil en rotation.** Le risque de choc électrique augmente si les câbles sont endommagés ou emmêlés.
  - e. **Si vous utilisez l'outil électroportatif à l'extérieur, utilisez une rallonge homologuée pour une utilisation à l'extérieur.** L'utilisation d'une rallonge électrique homologuée pour les travaux à l'extérieur réduit le risque de choc électrique.
  - f. **Si l'outil doit être utilisé dans un endroit humide, prenez les précautions nécessaires en utilisant un dispositif à courant résiduel (RCD).** L'utilisation d'un tel dispositif réduit les risques d'électrocution.
3. **Sécurité personnelle**
    - a. **Restez vigilant, surveillez ce que vous faites. Faites preuve de bon sens quand vous utilisez un outil électroportatif. N'utilisez pas l'outil lorsque vous êtes fatigué ou après avoir consommé de l'alcool ainsi que des médicaments.** Un moment d'inattention lors de l'utilisation de l'outil peut entraîner de graves blessures.
    - b. **Portez un équipement de protection. Portez toujours des lunettes de protection.** Selon le travail à effectuer, le port d'équipement de protection tels que masque anti-poussières, chaussures de sécurité antidérapantes, casque ou protection auditive, réduit le risque de blessures.
    - c. **Évitez un démarrage imprévu. L'outil doit être en position OFF (arrêt) avant d'effectuer le branchement à l'alimentation et/ou au bloc-batterie, de le ramasser ou de le porter.** Ne laissez pas votre doigt sur le bouton de commande en le transportant. N'alimentez pas l'outil si le bouton est activé. Ceci pourrait être à l'origine d'accident.
    - d. **Enlevez tout outil ou clé de réglage avant de mettre l'appareil en marche.** Une clé ou un outil se trouvant sur une pièce en rotation peut causer des blessures.

- e. **Adoptez une position confortable. Adoptez une position stable et gardez votre équilibre en permanence.** Vous contrôlerez mieux l'outil dans des situations inattendues.
  - f. **Portez des vêtements appropriés. Ne portez pas de vêtements amples ou de bijoux. N'approchez pas les cheveux, vêtements ou gants des parties des pièces mobiles.** Les vêtements amples, les bijoux ou les cheveux longs peuvent s'accrocher dans les pièces en mouvement.
  - g. **En cas d'utilisation d'appareils servant à aspirer ou à recueillir les poussières, assurez-vous qu'ils sont correctement raccordés et utilisés.** L'utilisation de tels dispositifs réduit les dangers dus aux poussières.
- #### 4. Utilisation des outils électroportatifs et précautions
- a. **Respectez la capacité de l'outil. Utilisez l'outil électroportatif correspondant au travail à effectuer.** Avec un outil approprié, vous travaillerez mieux et en toute sécurité.
  - b. **N'utilisez pas un outil électroportatif dont l'interrupteur est défectueux.** Un outil électroportatif qui ne peut plus être mis en marche/arrêt présente un danger et doit être réparé.
  - c. **Retirez la prise de courant et/ou débranchez le bloc-batterie avant d'effectuer des réglages, de changer les accessoires ou de ranger l'outil.** Cette mesure de précaution empêche de mettre l'outil en marche accidentellement.
  - d. **Rangez les outils électroportatifs hors de portée des enfants. Les personnes ne connaissant pas l'outil ou n'ayant pas lu ces instructions ne doivent en aucun cas l'utiliser.** Les outils électroportatifs sont dangereux lorsqu'ils sont utilisés par des personnes non initiées.
  - e. **Entretenez les outils électroportatifs. Vérifiez que les parties mobiles fonctionnent correctement et qu'elles ne sont pas coincées. Vérifiez qu'il n'y a pas de pièces cassées ou endommagées susceptibles de nuire au bon fonctionnement de l'outil. S'il est endommagé, faites réparer l'outil avant de l'utiliser.** De nombreux accidents sont dus à des outils électroportatifs mal entretenus.
  - f. **Maintenez les outils de coupe aiguisés et propres.** Des outils soigneusement entretenus avec des bords tranchants bien aiguisés se coincent moins souvent et

peuvent être guidés plus facilement.

- g. **Utilisez les outils électroportatifs, les accessoires, etc., en suivant ces instructions et en tenant compte des conditions de travail, ainsi que du travail à effectuer.** L'utilisation des outils électroportatifs à d'autres fins que celles prévues peut vous mettre en situation dangereuse.

#### 5. Utilisation et entretien des outils électriques

- a. **Rechargez uniquement avec le chargeur spécifié par le fabricant.** Un chargeur qui convient pour un type de bloc batterie peut causer un risque de court-circuit et d'incendie quand il est utilisé avec un autre bloc batterie.
- b. **Utilisez les outils électriques uniquement avec les blocs batteries spécifiquement conçus pour eux.** L'utilisation d'autres blocs batterie risque de blesser et provoquer un incendie.
- c. **Quand le bloc batterie n'est pas utilisé, gardez-le éloigné des objets en métal, tels que trombones, pièces de monnaie, clés, clous, vis ou autres petits objets en métal, qui pourraient faire une connexion entre les deux bornes.** Un court-circuitage des bornes de la batterie peut causer des brûlures ou un incendie.
- d. **Dans des conditions d'usage abusif, du liquide risque d'être projeté par la batterie ; évitez tout contact. S'il y a un contact accidentel, rincez avec de l'eau. Si le liquide entre en contact avec les yeux, demandez une aide médicale supplémentaire.** Le liquide éjecté par la batterie peut causer des irritations ou des brûlures.

#### 6. Réparations

- a. **Faites réparer votre outil électroportatif uniquement par du personnel qualifié et seulement avec des pièces de rechange appropriées.** Cela garantira le maintien de la sécurité de votre outil.

#### Consignes de sécurité supplémentaires spécifiques aux perceuses/visseuses

- **Portez des protections auditives lors de l'utilisation de perceuses à percussion.** L'exposition au bruit peut causer une perte de l'acuité auditive..
- **Utilisez la ou les poignées auxiliaires, si fournies avec l'outil.** Vous risquez de vous blesser si vous perdez le contrôle.



- **Tenez l'outil électrique par les surfaces de prise isolées quand l'accessoire de coupe risque d'entrer en contact avec des fils électriques cachés.** Si l'accessoire de coupe entre en contact avec un fil sous tension, il peut « électricifier » les parties métalliques exposées et transmettre une décharge électrique à l'utilisateur.

## Risques résiduels







Même en appliquant les règles de sécurité et en mettant en place les dispositifs de sécurité, certains risques résiduels ne peuvent pas être totalement éliminés.

Ces risques sont les suivants :

- Perte de l'acuité auditive.
- Blessures physiques provoquées par les éclats.
- Brûlures au contact des accessoires qui chauffent pendant le fonctionnement.
- Blessures physiques suite à une utilisation prolongée.

## Étiquettes de l'outil

L'étiquette apposée sur votre outil peut contenir les symboles suivants ainsi que le code de date :

	Lire le manuel d'instructions	Hz ..... Hertz W ..... Watts	 ..... Construction de classe II
	Utiliser une protection oculaire	min ..... minutes ~ ..... Courrant alternatif	 ..... Borne de terre
	Utiliser des protections auditives	— — — ..... Courrant continu	 ..... Symbole d'alerte de sécurité
V ..... Volts		.../min..	Rotations par minute
A ..... Ampères	n <sub>0</sub> ..... Vitesse à vide		

## Position le code de la date

Le code de la date, comprenant aussi l'année de fabrication, est imprimé sur le boîtier de l'outil.

Exemple:

2014 XX JN  
Année de fabrication

## Consignes de sécurités importantes pour tous les chargeurs de batterie

**Conservez ces consignes :** Ce manuel contient d'importantes consignes de sécurité et d'utilisation relatives aux chargeurs de batterie SC201.

- Avant d'utiliser le chargeur, veuillez lire toutes les

consignes et mises en garde se trouvant sur le chargeur, le bloc-batterie et le produit utilisant le bloc-batterie.



**Avertissement :** Risque de choc électrique. Ne laissez pas pénétrer de liquide dans le chargeur. Il existe un risque de choc électrique.



**Attention :** Risque de brûlure. Pour réduire le risque de blessure, chargez uniquement des batteries STANLEY rechargeables. Les autres types de batteries risquent d'exploser et d'entraîner des blessures physiques et des dégâts.

**Attention :** Les enfants doivent être surveillés pour s'assurer qu'ils ne jouent pas avec l'appareil.



**Remarque :** Dans certaines conditions, lorsque le chargeur est branché sur le secteur, il peut être court-circuité par des matériaux étrangers. Les matériaux étrangers conducteurs comprenant, mais sans s'y limiter, la poussière de ponçage, les copeaux métalliques, la laine d'acier, les feuilles d'aluminium ou toutes sortes d'amas de particules métalliques doivent être tenus à l'écart des cavités du chargeur. Débranchez toujours le chargeur lorsque la cavité ne contient pas de bloc-batterie. Débranchez le chargeur avant de le nettoyer.

- **N'essayez PAS de charger le bloc-batterie avec des chargeurs différents de ceux indiqués dans ce manuel.** Le chargeur et le bloc-batterie sont conçus spécialement pour fonctionner ensemble.
- **Ces chargeurs sont destinés exclusivement au chargement des batteries STANLEY rechargeables.** Toute autre utilisation entraînerait un risque d'incendie, de choc électrique ou d'électrocution.
- **N'exposez pas le chargeur à la pluie ou à la neige.**
- **Pour débrancher le chargeur, tirez au niveau de la prise plutôt que sur le cordon.** Cela permet de réduire le risque d'endommager la prise électrique et le cordon.
- **Veillez à ce que le cordon soit positionné de sorte à éviter de marcher dessus, de trébucher, de l'endommager ou de trop le tendre.**
- **N'utilisez pas de rallonge sauf en cas d'absolue nécessité.** L'utilisation d'une rallonge inappropriée pourrait entraîner un risque d'incendie, de choc électrique ou d'électrocution.

- **Ne posez rien sur le chargeur et ne placez pas ce dernier sur une surface molle pouvant obstruer les fentes de ventilation et engendrer une chaleur excessive à l'intérieur.** Placez le chargeur à un endroit éloigné de toute source de chaleur. La ventilation du chargeur se fait à travers des fentes situées au-dessus et en dessous du boîtier.
- **Ne faites pas fonctionner le chargeur si le cordon ou la prise sont endommagés** — faites-les remplacer immédiatement.
- **Ne faites pas fonctionner le chargeur s'il a reçu un choc violent, s'il est tombé ou s'il est abîmé.** Apportez-le à un centre de réparation agréé.
- **Ne démontez pas le chargeur ; apportez-le à un centre de réparation agréé pour l'entretien et les réparations.** S'il est mal remonté, il existe un risque de choc électrique, d'électrocution ou d'incendie."
- Si le cordon d'alimentation est endommagé, il doit être immédiatement remplacé par le fabricant, un réparateur agréé ou une autre personne de même qualification afin d'éviter tout danger.
- **Débranchez le chargeur avant de le nettoyer. Cela permettra de réduire le risque de choc électrique.** Le fait de retirer le bloc-batterie ne diminue pas ce risque.
- Ne reliez **JAMAIS** 2 chargeurs ensemble.
- **Le chargeur est conçu pour fonctionner avec une alimentation électrique domestique standard. N'essayez pas de l'utiliser avec une tension différente.** Cette remarque n'est pas valable pour le chargeur automobile.

## Conservez ces consignes

### Chargeurs

Les chargeurs SC201/SC202 acceptent des batteries de 18 V.

Ces chargeurs n'ont pas besoin de réglages et sont conçus pour être utilisés le plus simplement possible.

### Procédure de charge (fig. 2)

1. Branchez le chargeur (j) dans une prise adéquate avant d'insérer le bloc-batterie.
2. Insérez le bloc-batterie (g) dans le chargeur. Le voyant rouge (chargement) clignote en continu pour indiquer que la charge a commencé.







3. La charge est terminée quand le voyant rouge reste allumé. La batterie est alors totalement chargée et peut être utilisée ou laissée dans le chargeur.

**Remarque :** Pour garantir un rendement et une durée de vie maximum des batteries Li-Ion, chargez complètement le bloc-batterie avant la première utilisation.

### Processus de charge

Reportez-vous au tableau ci-dessous pour connaître l'état de charge du bloc-batterie.

#### État de charge—SC201

 charge en cours	-----	
 charge complète	-----	
 retardement bloc chaud/froid	-----	

### Retardement bloc chaud/froid

#### SC201/ SC202

Quand le chargeur détecte qu'une batterie est trop chaude, il retarde automatiquement la charge jusqu'à ce que la batterie refroidisse.

Quand le chargeur détecte qu'une batterie est trop froide, il retarde automatiquement la charge jusqu'à ce que la batterie se réchauffe.

Le voyant rouge continue à clignoter, mais un indicateur jaune s'allume également pendant cette opération. Une fois que la batterie a refroidi, l'indicateur jaune s'éteint et le chargeur reprend la procédure de charge.

Les outils Stanley à batteries Li-Ion intègrent un système de protection électronique qui protège la batterie contre les surcharges, la surchauffe ou la décharge intégrale.

L'outil s'éteint automatiquement si le système de protection électronique se déclenche. Dans ce cas, placez la batterie Li-Ion sur le chargeur jusqu'à ce qu'elle soit complètement chargée.

### Blocs-batteries Li-Ion uniquement

Les batteries Li-Ion intègrent un système de protection électronique qui protège la batterie contre les surcharges, la surchauffe ou la décharge intégrale.

L'outil s'éteint automatiquement si le système de protection électronique se déclenche. Dans ce cas, placez la batterie Li-Ion sur le chargeur jusqu'à ce qu'elle soit complètement chargée.

## Consignes de sécurité importantes pour tous les blocs-batteries

Lorsque vous commandez des blocs-batteries de rechange, veillez à indiquer le numéro de référence et la tension.

Le bloc-batterie n'est pas complètement chargé à la livraison. Avant d'utiliser le bloc-batterie et le chargeur, lisez les consignes de sécurité ci-après. Suivez ensuite les procédures de charge décrites.

### Lisez toutes les consignes

- Ne chargez pas ou n'utilisez pas la batterie dans des atmosphères explosives, par exemple en présence de liquides, gaz ou poussières inflammables. L'insertion de la batterie dans le chargeur ou son retrait peuvent enflammer les poussières ou les vapeurs.
- Ne forcez jamais pour insérer le bloc-batterie dans le chargeur. Ne modifiez le bloc-batterie d'aucune manière pour le faire rentrer dans un chargeur non compatible. Il pourrait se briser et provoquer des blessures physiques graves.
- Chargez les blocs-batteries dans des chargeurs STANLEY uniquement.
- N'éclaboussez PAS et ne plongez pas le bloc-batterie dans l'eau ou d'autres liquides.
- Ne rangez pas et n'utilisez pas le bloc-batterie à des endroits où la température peut atteindre ou dépasser 40 °C (105 °F) (par exemple, les abris de jardin ou les bâtiments en métal en été).



**Avvertissement :** N'essayez jamais d'ouvrir le bloc-batterie pour quelque raison que ce soit. Si le boîtier du bloc-batterie est fissuré ou endommagé, ne l'insérez pas dans le chargeur. Le bloc-batterie ne doit pas subir d'écrasement, de chute ou de dommages. N'utilisez pas un bloc-batterie ou un chargeur s'il a reçu un choc violent, s'il est tombé, a été écrasé ou abîmé (percé avec un clou, frappé avec un marteau, piétiné). Il existe un risque de choc électrique ou d'électrocution. Les blocs-batteries endommagés doivent être renvoyés au centre de réparation pour être recyclés.



**Attention :** Lorsque vous n'utilisez pas l'outil, posez-le sur son flanc sur une surface stable où il ne présente pas de risque de trébuchement ou de chute. Bien que certains outils munis d'un gros bloc-batterie puissent tenir à la verticale sur

le bloc-batterie, ils peuvent être renversés facilement dans cette position.

### Consignes de sécurité spécifiques pour le lithium ion (Li-Ion)

- N'incinerez pas le bloc-batterie même s'il est très endommagé ou complètement usé. Le bloc-batterie peut exploser au contact du feu. Lorsque les blocs-batteries au lithium-ion sont brûlés, ils dégagent des vapeurs et des matières toxiques.
- En cas de contact du contenu de la batterie avec la peau, lavez immédiatement la zone à l'eau et au savon doux. En cas de projection de liquide de batterie dans les yeux, rincez l'œil ouvert à l'eau pendant 15 minutes ou jusqu'à ce que l'irritation cesse. En cas de besoin d'assistance médicale, l'électrolyte de la batterie est composé d'un mélange de carbonates organiques liquides et de sels de lithium.
- Le contenu des batteries ouvertes peuvent irriter les voies respiratoires. Faites circuler de l'air frais. Si les symptômes persistent, consultez un médecin.



**Avvertissement :** Risque de brûlure. Le liquide de batterie peut s'enflammer au contact d'étincelles ou de flammes.

### Transport

Les batteries STANLEY sont conformes à toutes les réglementations en vigueur en matière de transport, tel que le décrivent les normes juridiques et industrielles, notamment les suivantes : Recommandations des Nations Unies relatives au transport des marchandises dangereuses ; Règlements de l'Association internationale du transport aérien (IATA) relatifs aux matières dangereuses, Réglementations sur le transport maritime international des marchandises dangereuses (IMDG) et Accord européen relatif au transport international des marchandises dangereuses par route (ADR). Les piles et batteries au lithium-ion ont été testées selon la section 38.3 du Manuel d'épreuves et de critères des Recommandations des Nations Unies relatives au transport des marchandises dangereuses.

Dans la plupart des cas, le transport d'un bloc-batterie STANLEY sera exempté de l'obligation d'être effectué selon les réglementations relatives aux matières dangereuses de Classe 9. En général, le transport doit être traité conformément à la Classe 9 dans deux situations :

1. Transport aérien de plus de deux blocs-batteries lithium-ion STANLEY lorsque le colis ne contient que des blocs-batteries (pas d'outils)

2. Tout transport de batterie au lithium-ion dont l'énergie nominale est supérieure à 100 wattheures (Wh).  
L'énergie nominale en wattheures est indiquée sur toutes les batteries au lithium-ion.

Que le transport soit traité selon les réglementations ou en soit exempt, il en va de la responsabilité de l'expéditeur de consulter les réglementations les plus récentes concernant les exigences d'emballage, d'étiquetage/marquage et de documentation.

Le transport de batteries présente un risque d'incendie si les bornes de la batterie entrent accidentellement en contact avec des matériaux conducteurs. Lors du transport de batteries, veillez à ce que leurs bornes soient protégées et bien isolées des matériaux pouvant entrer en contact avec et provoquer un court-circuit.

Les informations contenues dans cette section du manuel sont fournies de bonne foi et sont censées être précises au moment de la création du présent document. Toutefois, aucune garantie, expresse ou implicite, n'est donnée. L'acquéreur a la responsabilité de s'assurer que ses activités sont conformes aux réglementations en vigueur.

### Bloc-batterie

#### Type de batterie

L'outil SCD20 fonctionne avec un bloc-batterie de 18 V.

### Recommandations pour le rangement

1. L'appareil doit idéalement être rangé à un endroit frais et sec, protégé contre la lumière directe du soleil ainsi que les températures extrêmes (chaud ou froid). Pour optimiser le rendement et la durée de vie de la batterie, rangez le bloc-batterie à température ambiante lorsque vous ne l'utilisez pas.
2. Pour les entreposages prolongés, il est recommandé de charger complètement le bloc-batterie avant de le ranger hors du chargeur à un endroit frais et sec pour obtenir des résultats optimaux.

**Remarque :** Les blocs-batteries ne doivent pas être complètement déchargés avant leur rangement. Le bloc-batterie aura besoin d'être rechargé avant de l'utiliser.

### Étiquettes sur le chargeur et le bloc-batterie

En plus des pictogrammes utilisés dans ce manuel, les étiquettes apposées sur le chargeur et le bloc-batterie peuvent comporter les symboles suivants :



Lire le mode d'emploi avant utilisation.



Voir la Fiche technique pour connaître la durée de charge.



Batterie en cours de charge.



Batterie chargée.



Batterie défectueuse.



Retardement bloc chaud/froid.



Ne pas approcher d'objets conducteurs.



Ne pas charger des blocs-batteries endommagés.



Ne pas exposer à l'eau.



Remplacer immédiatement les cordons défectueux.



Charger uniquement entre 4 °C et 40 °C.



Pour utilisation en intérieur uniquement.



Jeter le bloc-batterie selon les exigences en matière de respect de l'environnement.



Charger les blocs-batteries STANLEY uniquement à l'aide des chargeurs STANLEY spécifiés. Le fait de charger des blocs-batteries différents des batteries STANLEY spécifiées avec un chargeur STANLEY peut entraîner leur explosion ou d'autres situations dangereuses.



Ne pas incinérer le bloc-batterie.

### Contenu de la boîte

La boîte contient :

1 perceuse/visseuse

1 chargeur

2 batteries (C2) ou 1 batterie (C1)

1 mode d'emploi

**Remarque :** Les blocs-batteries et le chargeur ne sont pas inclus avec les modèles N.

- Vérifiez que l'outil, ses pièces et ses accessoires n'ont pas été endommagés pendant le transport.
- Prenez le temps de lire attentivement et de comprendre ce mode d'emploi avant d'utiliser l'outil.

### Recommandations pour le rangement

1. L'appareil doit idéalement être rangé à un endroit frais et sec, protégé contre la lumière directe du soleil ainsi que les températures extrêmes (chaud ou froid).
2. Un entreposage prolongé ne nuira pas au bloc-batterie ni au chargeur.

### Caractéristiques (Fig. A)

1. Gâchette
2. Bouton de rotation avant/arrière
3. Collier de réglage du couple de serrage
4. Sélecteur deux vitesses
5. Mandrin auto-serrant
6. Batterie
7. Bouton de déverrouillage de batterie
8. Éclairage de travail LED
9. Porte-foret

### Usage prévu

Cette perceuse/visseuse est conçue pour les opérations légères de vissage et de perçage.

**Ne pas** utiliser sous l'humidité ou en présence de liquides ou de gaz inflammables.

Cette visseuse/perceuse est un outil électrique pour professionnel.

**Ne pas** laisser les enfants s'approcher de l'outil. Les opérateurs inexpérimentés doivent utiliser cet outil sous surveillance.

- Ce produit n'est pas fait pour être utilisé par des personnes (y compris les enfants) avec des capacités physiques, sensorielles ou mentales réduites, ou un manque d'expérience et/ou de connaissances, sans la

supervision d'une personne responsable de leur sécurité. Les enfants doivent être surveillés pour s'assurer qu'ils ne jouent pas avec ce produit.

### Sécurité électrique

Le moteur électrique est conçu pour un type de tension uniquement. Vérifiez toujours que la tension du bloc-batterie correspond à celle de la plaque signalétique. Assurez-vous également que la tension de votre chargeur correspond à celle de votre réseau électrique.



Votre chargeur STANLEY est doublement isolé conformément à la norme EN 60335 ; une mise à la terre n'est donc pas nécessaire. Si le cordon d'alimentation est endommagé, il doit être remplacé par un cordon spécialement préparé que vous pouvez vous procurer auprès d'un centre de réparation STANLEY.

### Utilisation de rallonge électrique

N'utilisez pas de rallonge sauf en cas d'absolute nécessité. Utilisez une rallonge électrique homologuée adaptée à la puissance de votre chargeur (voir Fiche technique). L'âme doit mesurer un minimum de 1 mm<sup>2</sup> ; la longueur doit être d'un maximum de 30 m.

Quand vous utilisez un dévidoir de câble, déroulez toujours le câble complètement.

### Montage et réglages



**Avertissement :** Avant le montage et les réglages, retirez toujours le bloc-batterie. Éteignez toujours l'outil avant d'insérer ou de retirer le bloc-batterie.



**Avertissement :** Utilisez uniquement des blocs-batteries et des chargeurs STANLEY.

### Insérer et retirer le bloc-batterie de l'outil (fig. 3)



**Avertissement :** Pour réduire le risque de blessures physiques graves, placez le bouton de rotation avant/arrière en position de verrouillage ou éteignez l'outil et retirez le bloc-batterie avant de réaliser des réglages ou de retirer/installer des accessoires. Une mise en marche accidentelle présente un risque de blessure.

**Remarque :** Vérifiez que votre bloc-batterie (g) est complètement chargé.

### Installer le bloc-batterie dans la poignée de l'outil

1. Alignez le bloc-batterie avec les rails situés à l'intérieur de la poignée.

2. Faites-le glisser fermement jusqu'à ce que vous entendiez le déclic de verrouillage.

### Retirer le bloc-batterie de la poignée de l'outil

1. Appuyez sur le bouton de déverrouillage (f) et sortez le bloc-batterie de la poignée de l'outil en tirant fermement.
2. Insérez le bloc-batterie dans le chargeur, comme indiqué dans la section de ce manuel consacrée au chargeur.

### Consignes d'utilisation

Avertissements et consignes de sécurité : Perceuses

**Avertissement !** Avant d'utiliser l'outil, lisez toutes les consignes et les mises en garde apposées sur l'outil.

**Avertissement !** La perceuse peut se bloquer (suite à une surcharge ou une mauvaise utilisation) et provoquer une torsion. Soyez toujours préparé à cette éventualité. Tenez la perceuse fermement à deux mains pour maîtriser la torsion et éviter une perte de contrôle qui pourrait provoquer des blessures physiques. En cas de blocage, relâchez immédiatement la gâchette et déterminez la raison du blocage avant de reprendre le perçage.

### Gâchette et bouton de rotation avant/arrière (Fig. D)

- La perceuse s'allume et s'éteint en appuyant et en relâchant la gâchette (1) signalée sur la Fig. D. Plus vous enfoncez la gâchette, plus la vitesse de la perceuse augmente.
- Un bouton de commande avant/arrière (2) détermine le sens de rotation de l'outil et sert également de bouton de verrouillage.
- Pour sélectionner la rotation vers l'avant, relâchez la gâchette et appuyez sur le bouton de rotation avant/arrière à droite de l'outil.
- Pour sélectionner la rotation arrière, appuyez sur le bouton de rotation avant/arrière à gauche de l'outil.
- La position centrale du bouton de commande verrouille l'outil en position éteinte. Quand vous changez le bouton de commande de position, assurez-vous d'avoir bien relâché la gâchette.

### Régler le couple de serrage (Fig. E)

Cet outil est équipé d'un collier de réglage du couple de serrage (3) pour sélectionner le mode de fonctionnement et régler le couple de serrage des vis. Les grandes vis et les

matériaux durs nécessitent un couple plus élevé que les petites vis et les matériaux souples.

- Pour percer dans le bois, le métal et le plastique, placez le collier sur le symbole de position de perçage.
- Pour le vissage, placez le collier sur le réglage souhaité. Si vous ne savez pas à l'avance le bon réglage, procédez comme suit :
- Placez le collier sur le plus faible couple de serrage.
- Serrez la première vis.
- Si le cran débraye avant d'obtenir le résultat souhaité, augmentez le réglage du collier et continuez à serrer la vis. Recommencez jusqu'à obtention du réglage adéquat. Utilisez ce réglage pour les autres vis.

### Interrupteur deux niveaux (Fig. F)

La fonction deux niveaux de votre perceuse vous permet de changer de vitesse pour une plus grande polyvalence.

- Pour sélectionner la basse vitesse, le réglage de couple élevé (position 1), éteignez l'outil et attendez qu'il s'arrête complètement. Faites glisser le bouton de changement de vitesse (4) pour l'éloigner du mandrin.
- Pour sélectionner la vitesse élevée, le réglage de couple faible (position 2), éteignez l'outil et attendez qu'il s'arrête complètement. Faites glisser le bouton de changement de vitesse pour le rapprocher du mandrin.

**Remarque :** Ne changez pas de vitesse quand l'outil est en train de fonctionner. Si vous avez des difficultés à changer de vitesse, vérifiez que le bouton à deux vitesses est poussé complètement vers l'avant ou vers l'arrière.

### Mandrin auto-serrant (Fig. G)



**Avertissement !** Vérifiez que le bloc-batterie est retiré pour éviter que l'outil se mette en marche avant d'installer ou de retirer des accessoires.

Pour insérer un foret ou un autre accessoire :

1. Saisissez le mandrin (5) et faites-le tourner dans le sens antihoraire (vu depuis l'extrémité du mandrin).
2. Insérez complètement le foret ou un autre accessoire dans le mandrin et serrez fermement en faisant tourner le mandrin dans le sens horaire (vu depuis l'extrémité du mandrin).



**Avertissement !** N'essayez pas de serrer ou desserrer un foret (ou d'autres accessoires) en saisissant le devant du mandrin et en mettant l'outil en marche. Cette façon de changer les accessoires risque d'endommager le mandrin et d'entraîner des blessures.

### Vissage/dévisage

- Pour serrer des vis, le bouton de rotation avant/arrière doit être poussé vers la gauche.
- Utilisez la rotation arrière (bouton vers la droite) pour retirer les vis.

**Remarque :** Lorsque vous changez de sens de rotation, relâchez toujours d'abord la gâchette.

### Perçage

- Utilisez uniquement des forets bien affûtés.
- Veillez à ce que la pièce à percer soit bien soutenue et sûre, comme indiqué dans les consignes de sécurité.
- Utilisez un équipement de sécurité adéquat, selon les consignes de sécurité.
- Veillez à ce que la zone de travail soit bien sûre et propre, comme indiqué dans les consignes de sécurité.
- Actionnez la perceuse très lentement en exerçant une légère pression, jusqu'à ce que le trou commence à être suffisamment profond pour empêcher le foret de glisser.
- Exercez une pression en ligne droite avec le foret, en appuyant suffisamment pour que le foret continue à percer mais sans toutefois surcharger le moteur ou tordre le foret.
- Tenez la perceuse fermement à deux mains, une main sur la poignée et l'autre tenant le bas de l'outil, au niveau de la batterie ou sur la poignée auxiliaire, le cas échéant.
- N'essayez pas de redémarrer une perceuse bloquée en appuyant à plusieurs reprises sur la gâchette. Vous risquez d'endommager la perceuse.
- Pour réduire le risque de blocage au moment de traverser le matériau, réduisez la pression et la vitesse de perçage sur la fin.
- Laissez tourner le moteur pour sortir le foret d'un trou percé, afin d'éviter qu'il se coince.

- Vérifiez que l'interrupteur met en marche et éteint bien la perceuse.

### Perçage du bois

Le bois peut être percé à l'aide de forets à vrille utilisés également pour le métal ou avec des forets à trois pointes. Ces forets doivent être affûtés et vous devez les sortir fréquemment pendant le perçage pour retirer les copeaux des cannelures.

### Perçage du métal

Utilisez un lubrifiant de coupe pour percer le métal, à l'exception de la fonte et du laiton qui doivent être percés à sec. L'huile sulfurée et l'huile de saindoux sont les plus indiquées.

### Éclairage de travail LED

Lorsque vous activez la perceuse en appuyant sur la gâchette (1), l'éclairage de travail LED intégré (8) éclaire automatiquement la zone de travail.

**Remarque :** L'éclairage de travail sert à éclairer la surface de travail de manière localisée et ne fait pas office de spot.

### Rangement des forets

La base de l'outil intègre une fente (9) destinée au rangement des forets.

### Entretien

Utilisez uniquement un savon doux et un chiffon humide pour nettoyer l'outil. Ne laissez jamais pénétrer de liquide dans l'outil et ne le plongez jamais dans du liquide.



**Important !** Pour garantir la SÉCURITÉ et la FIABILITÉ du produit, les réparations, l'entretien ainsi que les réglages (autres que ceux décrits dans le présent manuel) doivent être réalisés par un centre de réparation agréé ou un autre organisme qualifié, en utilisant toujours des pièces de rechange identiques. Aucune pièce à l'intérieur de l'outil ne peut être remplacée par l'utilisateur.

### Accessoires



**Avertissement !** L'utilisation d'accessoires différents de ceux proposés par STANLEY peut être dangereuse, car ils n'ont pas été testés avec ce produit. Pour réduire le risque de blessure, il convient de n'utiliser que des accessoires recommandés par STANLEY avec ce produit.

## Batteries



Les batteries STANLEY peuvent être rechargées à de nombreuses reprises. En fin de vie, jetez les batteries selon les exigences en matière de respect de l'environnement :

- Déchargez complètement la batterie puis retirez-la de l'outil.
- Les batteries NiCd, NiMH et Li-Ion sont recyclables. Apportez-les à un agent de réparation agréé ou à un centre de recyclage.

## Remarques

Stanley adopte une politique d'amélioration continue de ses produits et se réserve donc le droit d'en modifier les spécifications sans avis préalable.

- Les équipements et accessoires standard peuvent varier en fonction du pays.
- Les spécifications peuvent varier en fonction du pays.
- La gamme de produits complète peut ne pas être disponible dans tous les pays. Contactez votre distributeur Stanley local pour savoir quels produits sont disponibles.

## Fiche technique

		SCD20
Tension	$V_{DC}$	18
Vitesse à vide	$\text{min}^{-1}$	0-350 / 0-1500
Couple de serrage maxi	Nm	29.4
Capacité du mandrin	mm	13
Chargeur		SC201 / SC202
Tension d'entrée	$V_{AC}$	220 - 240
Tension de sortie	$V_{DC}$	18
Courant de sortie (DC)	A	1.0 / 2.0
Durée approx. de charge	min	75 / 45
Batterie		SB20C
Tension	$V_{DC}$	18
Capacité	Ah	1.3
Type		Li-Ion

## Vibrations

Les valeurs des émissions de vibrations mentionnées dans la fiche technique et la déclaration de conformité ont été mesurées conformément à une méthode d'essai normalisée EN 60745 et peuvent être utilisées pour les comparer à celles d'un autre outil. La valeur de l'émission de vibrations déclarée peut également être utilisée pour une évaluation préliminaire d'exposition.

Attention ! La valeur de l'émission de vibrations pendant le fonctionnement de l'outil électrique peut être différente de la valeur déclarée suivant la façon dont l'outil est utilisé. Le niveau des vibrations peut augmenter au-dessus du niveau mentionné.

Quand une évaluation de l'exposition aux vibrations est effectuée afin de déterminer les mesures de sécurité requises par la norme 2002/44/EC pour la protection des personnes utilisant régulièrement des outils électriques dans leur emploi, l'estimation de l'exposition aux vibrations devra considérer les conditions actuelles d'utilisation et la façon dont l'outil est utilisé, y compris en tenant compte de toutes les parties du cycle telles que les moments pendant lesquels l'outil est arrêté et combien de temps il tourne au ralenti, en plus du temps pendant lequel il est déclenché.

## Information pour la réparation

STANLEY dispose d'un réseau intégral de centres de réparation appartenant à l'entreprise et agréés. Tous les centres de réparation STANLEY possèdent un personnel formé spécialement pour garantir aux clients une réparation fiable et efficace des outils électriques. Pour en savoir plus sur nos centres de réparation agréés et en cas de besoin de conseils techniques, de réparation ou de pièces rechange d'origine, contactez le concessionnaire STANLEY le plus proche.



## Protection de l'environnement



Collecte sélective. Ne pas jeter cet appareil avec les ordures ménagères.

Si vous devez remplacer un appareil Stanley ou si vous ne l'utilisez plus, ne le jetez pas avec les ordures ménagères, mais dans les conteneurs de collecte sélective.



La collecte sélective des produits et des emballages usagés permet de recycler et de réutiliser leurs matériaux. La réutilisation de matériaux recyclés aide à protéger l'environnement contre la pollution et à réduire la demande en matières premières.

Les réglementations locales peuvent proposer la collecte sélective des appareils électriques ménagers, dans des déchetteries municipales ou par le revendeur lorsque vous achetez un nouvel appareil. Stanley dispose d'installations pour la collecte et le recyclage des produits Stanley en fin de vie. Pour profiter de ce service, veuillez rapporter votre appareil auprès d'un centre de réparation agréé qui se chargera de le collecter en notre nom.

Pour connaître l'adresse d'un centre de réparation agréé près de chez vous, contactez votre distributeur Stanley à l'adresse indiquée dans ce manuel, ou consultez la liste des centres de réparation agréés Stanley et tout renseignement complémentaire sur notre service après-vente sur le site internet à l'adresse: [www.2helpU.com](http://www.2helpU.com).

## Garantie 1 an

Si votre appareil STANLEY s'avère défectueux en raison d'un vice de matériau ou de fabrication dans les 12 mois à compter de sa date d'achat, STANLEY garantit le remplacement gratuit de toute pièce défectueuse ou – à notre discrétion – le remplacement gratuit de l'appareil, à condition que :

- L'appareil n'ait pas été utilisé avec négligence et qu'il ait été utilisé en suivant les instructions contenues dans ce manuel.
- L'appareil ait été soumis à une usure normale;
- Aucune réparation n'ait été effectuée par du personnel non autorisé;
- Une preuve d'achat soit fournie.
- L'appareil STANLEY soit retourné complet, avec l'ensemble de ses composants originaux.

Pour avoir recours à la garantie, contactez votre revendeur ou consultez l'emplacement du centre de réparations agréé STANLEY le plus proche dans le catalogue STANLEY ou contactez le service clientèle STANLEY à l'adresse indiquée dans ce manuel. Une liste des centres de réparations agréés STANLEY et tout détail complémentaire concernant notre service après-vente sont à votre disposition sur notre site internet : [www.stanleytools.com](http://www.stanleytools.com)

## حماية البيئة

### ضمان سنة واحدة

إذا وجد في منتج ستانلي عيوب تصنيع أو عيوب مواد في غضون ١٢ شهراً من تاريخ الشراء، تضمن لك ستانلي استبدال كافة الأجزاء المعيبة دون مقابل أو - وفقاً لتقديرنا - استبدال الوحدة دون مقابل شريطة:

- عدم إساءة استخدام الجهاز وأن يكون الجهاز قد تم استخدامه وفقاً لدليل التعليمات؛
- تعرض الجهاز للبلل العادي بالاستعمال؛
- عدم القيام بأي إصلاحات بواسطة أشخاص غير معتمدين؛
- تقديم إثبات للشراء؛
- إعادة منتج ستانلي مكتملاً مع كافة مكوناته الأصلية

إذا كنت ترغب في إقامة دعوى، اتصل بالبائع أو تحقق من موقع أقرب وكيل إصلاح معتمد من ستانلي في دليل ستانلي أو اتصل بمكتب ستانلي المحلي على العنوان المشار إليه في الدليل. توجد قائمة بوكلاء الإصلاح المعتمدين من ستانلي وبياناتهم الكاملة لخدمات ما بعد البيع على موقع الإنترنت: [www.stanleytools.com](http://www.stanleytools.com)

فرز النفايات. يجب عدم وضع هذا المنتج مع النفايات المنزلية العادية.



إذا وجدت في يوم ما أنك بحاجة إلى استبدال منتج ستانلي، أو إذا لم تعد بحاجة إلى استخدامه، فلا تتخلص منه مع النفايات المنزلية. وقم بإتاحته للفرز.

يتيح فرز المنتجات المستخدمة وتغليفها بإعادة تدوير المواد واستخدامها مرة أخرى. حيث يساعد إعادة



استخدام المواد المعاد تدويرها في منع التلوث البيئي ويقلل من الطلب على المواد الخام.

وقد نصت اللوائح المحلية على فرز المنتجات الكهربائية عن النفايات المنزلية في مواقع نفايات البلدية أو بواسطة بائع التجزئة عند شراء منتج جديد. وتوفر ستانلي مرافق جمع وإعادة تدوير منتجات ستانلي حينما تصل إلى نهاية عمرها الافتراضي للعمل. للاستفادة من هذه الخدمة، برجاء إعادة المنتج إلى أي وكيل إصلاح معتمد يقوم بجمعها نيابة عنا.

يمكنك التحقق من موقع أقرب وكيل إصلاح معتمد من خلال الاتصال بمكتب ستانلي المحلي على العنوان المشار إليه في الدليل. وبدلاً من ذلك، توجد قائمة بوكلاء الإصلاح المعتمدين من ستانلي وبياناتهم الكاملة لخدمات ما بعد البيع وبيانات اتصالاتهم على موقع الإنترنت: [www.2helpu.com](http://www.2helpu.com)

## ضوء التشغيل LED

### البيانات الفنية

SCD20		
١٨	جهد تيار مستمر	الجهد الكهربائي
١٥٠٠-٠ / ٣٥٠-٠	دورة في الدقيقة	السرعة بدون حمل
٢٩,٤	نيوتن متر	الحد الأقصى لعزم الدوران
١٠	ملم	سعة الظرف
SC201 / SC202		
٢٤٠ - ٢٢٠	جهد تيار متردد	الجهد الكهربائي الداخلي
١٨	جهد تيار مستمر	الجهد الكهربائي الخارج
٢,٠ / ١,٠	أمبير	تيار الخرج (مستمر)
٤٥ / ٧٥	دقيقة	وقت الشحن التقريبي
SB20C		
١٨	جهد تيار مستمر	الجهد الكهربائي
١,٣	أمبير / ساعة	السعة
ليثيوم أيون		النوع

عند إنجاز الثقب بالضغط على الزناد (١). يعمل ضوء التشغيل (٨) على إضاءة منطقة العمل

ملاحظة: ضوء التشغيل مخصص لإنارة منطقة العمل المباشرة وليس مصمما كضوء كشاف.

### تخزين رأس اللقمة

تم بناء فتحة لتخزين اللقمة (٩) بشكل مدمج في قاعدة الجهاز.

### الصيانة

استخدم الصابون المعتدل والقماش الرطب لتنظيف الجهاز. لا تدع أي سائل يتسرب داخل الجهاز. ولا تغمر أي جزء منه في السائل.

**هام!** لضمان سلامة المنتج وماتنه. يجب إجراء الصيانة والإصلاحات والتعديلات (غير تلك المذكورة في هذا الدليل) بواسطة مراكز الخدمة المعتمدة أو المؤسسات المؤهلة الأخرى. باستخدام قطع الغيار الأصلية دائما. لا تحتوي الوحدة على قطع قابلة للصيانة في الداخل.



### الملحقات

**تحذيراً!** نظراً لأن الملحقات غير تلك المزودة بواسطة ستانلي لم تخبر مع هذا المنتج. يمكن أن يكون استخدام هذه الملحقات مع هذه الأداة خطراً. لتقليل خطر الإصابة. يجب استخدام ملحقات ستانلي الموصى بها فقط مع هذا المنتج.



### البطاريات

يمكن إعادة شحن بطاريات ستانلي العديد من المرات. ومع انتهاء عمرها المفيد. اطرح البطاريات بعناية واجبة نحو البيئة:



- أفرغ البطارية تماماً ثم أخرجها من الجهاز.
- يمكن إعادة تدوير بطاريات NiCd وLi-Ion وNiMH. خذها إلى أي وكيل خدمة معتمد أو محطة إعادة تدوير محلية.

### ملاحظات

تنصب سياسة ستانلي على التحسين المستمر لمنتجاتنا. لذا نحفظ بحق تعديل مواصفات المنتج بدون إذن مسبق.

- قد تتباين المعدات والملحقات القياسية حسب البلد.
- قد تتباين مواصفات المنتج حسب البلد.
- قد لا يتوفر النطاق الكامل للمنتجات في جميع الدول. اتصل بوكلاء ستانلي المحليين لمعرفة النطاق المتوفر.

### لاهتزاز

تم قياس قيم انبعاثات الاهتزازات المعلنة والمبينة في البيانات الفنية وإقرار التوافق وفقاً لأسلوب الاختبار الموحد بموجب المعيار EN 60745 ويمكن استخدام تلك القيم لمقارنة جهاز كهربائي بآخر. كما يمكن استخدام قيمة انبعاثات الاهتزازات المعلنة في التقدير المبدئي للتعرض.

تحذير! قد تختلف قيمة انبعاثات الاهتزازات أثناء الاستخدام الفعلي للجهاز الكهربائي عن القيمة المعلنة بناءً على طريقة استخدام الجهاز وقد يزيد كذلك مستوى الاهتزاز عن المستوى المحدد.

عند تقدير التعرض للاهتزاز لتحديد تدابير السلامة المطلوبة بموجب المعيار EC/2002/44 لحماية الأشخاص الذين يستخدمون الأجهزة الكهربائية بانتظام في أداء أعمالهم، يجب أن يوضع في الحسبان ظروف الاستخدام الفعلية وطريقة استخدام الجهاز. مع الأخذ في الاعتبار جميع أجزاء الدورة التشغيلية مثل أوقات إيقاف الجهاز والمدة التي يترك فيها الجهاز في وضع التشغيل دون استخدام، بالإضافة إلى وقت البدء.

### معلومات الخدمة

توفر شركة ستانلي شبكة كاملة من مراكز الخدمة المملوكة من قبل الشركة والمعتمدة. وتعتبر كافة مراكز خدمة ستانلي مجهزة بكوادرات مربية لتزويد العملاء بخدمة فعالة وموثوقة للأجهزة. لمزيد من المعلومات عن مراكز الخدمة المعتمدة لدينا وإذا كنت بحاجة لمشورة فنية أو صيانة أو قطع غيار أصلية من المصنع. اتصل بأقرب موقع لستانلي.

ملاحظة: عند التحول من الأمام إلى الخلف، أو العكس، حرر الزناد أولاً دائماً.

#### الثقب

- إذا كنت تستخدم لقم المثقب الحادة فقط.
- ادعم وأمن العمل كما يجب، كما هو موضح في تعليمات السلامة.

استخدم معدلات السلامة المناسبة والمطلوبة، كما هو موضح في تعليمات السلامة.

ادعم وأمن منطقة العمل كما هو موضح في تعليمات السلامة.

شغل المثقب ببطء شديد بالضغط الخفيف، حتى تصبح الحفرة بحجم كاف لمنع اللقمة المثقب من الانزلاق منه.

طبق الضغط في خط مستقيم مع اللقمة. استخدم ضغطاً كافياً للمحافظة على عمل اللقمة لكن لي بإفراط بحيث يتوقف المحرك أو تلف اللقمة.

ثبت المثقب بقوة بكلتا اليدين، بحيث تكون إحدى اليدين على القبض، والأخرى تثبت الزر في منطقة البطارية أو القبض المساعد إن كان مزوداً.

لا جُرر أو تضغط على زناد المثقب في محاولة لتشغيله، فقد يتسبب ذلك بتضرر المثقب.

قلل التوقف أو الانقطاع بخفض الضغط والمثقب ببطء عبر الجزء الأخير من الثقب.

حافظ على دوران المحرك أثناء سحب اللقمة خارج الحفرة المنقوبة، هذا سيساعد على تقليل الانسداد.

تأكد أن المفتاح يشغل المثقب ويوقفه.

#### ثقب الخشب

يمكن ثقب الحفر في الخشب بنفس لقم المثقب المستخدمة في العادن أو مع لقم الرفض. يجب أن تكون هذه اللقم حادة ويجب سحبها للخارج بشكل متكرر عند الثقب لتنظيف الرقائق من الأسنان.

#### ثقب المعدن

استخدم مادة تشحيم القص عند ثقب المعدن. ويعتبر الحديد الصلب والنحاس من الاستثناءات حيث يجب أن تثقب جافة. يعتبر زيت القص المعالج بالكبريت أو شحم الخنزير أفضل مادة تشحيم.

اضبط الحلقة على أدنى إعداد للدوران.

شد البرغي الأول

إذا أغلق القابض قبل تحقيق النتيجة المطلوبة، قم بزيادة إعداد الحلقة وتابع شد البرغي. كرر حتى تصل إلى الإعداد الصحيح. استخدم هذا الإعداد لبقية البراغي.

#### مفتاح النطاق الثنائي (شكل ج)

تسمح لك ميزة النطاق الثنائي بتغيير تروس التوجيه لمزيد من السمة العملية.

لاختيار السرعة المنخفضة، يعمل إعداد الدوران العالي (الوضع ١) على إيقاف الجهاز وإتاحة التوقف. مرر زر الموجه (٤) بعيداً عن المقبض.

لاختيار السرعة العالية، يعمل إعداد الدوران المنخفض (الوضع ٢) على إيقاف الجهاز وإتاحة التوقف. مرر زر الموجه بإتجاه المقبض مرة أخرى.

ملاحظة: لا تغير تروس التوجيه أثناء عمل الجهاز. إذا كنت تواجه متاعب في تغيير تروس التوجيه، تأكد أن زر النطاق الثنائي إما مضغوط كلياً نحو الأمام أو الخلف.

#### المقبض بدون مفتاح (شكل ح)



تحذيراً! تأكد أن البطارية منزوعة لمنع تفعيل الجهاز قبل تركيب الملحقات أو فكها.

لإدخال مثقب أو ملحقات أخرى:

١. امسك المقبض (٥) وقم بتدويره عكس عقارب الساعة، كما يتضح من نهاية المقبض.

٢. أدخل اللقمة أو الملحقات الأخرى في المقبض. وشد بإحكام بتدوير المقبض مع عقارب الساعة كما يتضح من نهاية المقبض.



تحذيراً! لا تحاول شد أو إرخاء لقم المثقب (أو أي ملحق آخر) بمسك الجزء الأمامي من المقبض وتشغيل الجهاز. قد يتضرر المقبض وتقع إصابة شخصية عند تغيير الملحقات.

#### فك البراغي

- لشد الرباط، يجب دفع زر الأمام/الخلف إلى اليسار.
- استخدم الإجراء المعاكس (ضغط الزر إلى اليمين) لفك الرباط.

١. اضغط على زر التحرير (f) واسحب البطارية خارج مقبض الجهاز.
٢. ركب البطارية في الشاحن كما هو موضح في قسم الشاحن من هذا الدليل.

### تعليمات التشغيل

تحذيرات وتعليمات السلامة: المنقب

تحذير! اقرأ جميع التعليمات والعلامات التحذيرية على الجهاز قبل استخدامه.



تحذير! قد يتوقف المنقب (إذا تم استخدامه بطريقة غير مناسبة أو بشكل مفرط) مسبباً التواء. تفقد التوقف المفاجئ دائماً، ثبت المنقب بقوة بكلتا اليدين للسيطرة



على فعل الالتواء ومنع فقدان السيطرة ما قد يسبب إصابة شخصية. إذا حدث توقف مفاجئ: حرر الزناد فوراً وحدد سبب التوقف قبل الاستئناف.

### مفتاح الزناد ووزر الأمام الخلف (شكل ث)

- يمكن تشغيل المنقب وإيقافه بسحب وخبرير مفتاح الزناد (١) الموضح في شكل ث. كلما زاد الضغط على الزناد كلما زادت سرعة المنقب.
- يحدد زر التحكم للأمام/للخلف (٢) الاتجاه الدوراني للجهاز ويعمل كزر قفل.
- لاختيار التدوير الأمامي، حرر الزناد واضغط على زر التحكم للأمام/للخلف على الجهة اليمنى من الجهاز.
- لاختيار التدوير الخلفي، حرر الزناد واضغط على زر التحكم للأمام/للخلف على الجهة اليسرى من الجهاز.

يعمل الوضع الأوسط لزر التحكم على ضبط الجهاز في وضع القفل. عند تغيير وضع زر التحكم، تأكد أن الزناد محرر.

### تعديل ضبط الدوران (ج)

تم تزويد الجهاز بحلقة تعديل الدوران (٣) لاختيار وضع التشغيل ولضبط الدوران لشدة البراغي. تتطلب البراغي الكبيرة والمواد الصلبة إعداد أعلى للدوران من البراغي الصغيرة والمواد غير الصلبة.

- لثقب الخشب والمعادن والبيلاستيك، اضبط الحلقة على رمز وضع الثقب.
- لفك البراغي، اضبط الحلقة على الإعداد المرغوب. إن لم تكن تعلم الإعداد المناسب بعد، تابع كما يلي:

- هذا الجهاز غير مخصص لاستخدام الأشخاص (من فيهم الأطفال) الذين يعانون من قدرات بدنية أو حسية أو عقلية محدودة، أو يفقدون للخبرة أو المعرفة أو المهارة إلا إذا كانوا تحت إشراف شخص مسؤول عن سلامتهم. لا يجب ترك الأطفال يلهون بهذا المنتج لوحدهم.

### الأمان الكهربائي

تم تصميم المحرك الكهربائي لفولطية واحدة فقط. تحقق دائماً من أن فولطية البطارية متوافقة مع فولطية لوحة التصنيف. تأكد كذلك أن فولطية شاحنك تتطابق مع فولطية الكهرياء الرئيسية.

يتميز شاحن ستانلي بأنه مزدوج العزل حسب EN 10335. لذا ليس هناك حاجة إلى سلك أرضي. إذا كان سلك الطاقة تالفاً، يجب استبداله بسلك مخصص لهذه الغاية من مركز خدمة ستانلي.



### استخدام سلك تطويل

لا يجب استخدام سلك تطويل إلا إذا كان ذلك ضروري جداً. استخدم سلك تطويل معتمد يناسب طاقة شاحنك (انظر البيانات الفنية). الحد الأدنى لحجم الموصل هو 1 م؛ والطول الأقصى هو 30 م. عند استخدام بكرة كبل، لف الكبل كلياً دائماً.

### التركيب والتعديلات

تحذير: انزع البطارية قبل التركيب والتعديل دائماً. قم بإيقاف الجهاز دائماً قبل تركيب البطارية أو نزعها.



تحذير: استخدم بطاريات وشواحن ستانلي فقط.



### تركيب ونزع البطارية من الجهاز (شكل ٣)

تحذير: لتقليل خطر الإصابة الشخصية، اجبض زر الأمام/الخلف في وضع القفل أو أوقف الجهاز وافصل البطارية قبل إجراء أية تعديلات أو فك/تركيب القطع أو الملحقات. يمكن أن يتسبب التشغيل العرض بالإصابات.



ملاحظة: تأكد أن البطارية (g) مشحونة بالكامل.

### تركيب البطارية في مقبض الجهاز

١. حاذي البطارية مع السلك داخل المقبض.
٢. ركبها في مكانها برفق حتى تسمع صوت انطباق القفل في مكانه.

نزع البطارية من مقبض الجهاز

اقرأ دليل التعليمات قبل الاستخدام.



انظر البيانات الفنية لوقت الشحن.



شحن البطارية.



لبطارية مشحونة.



البطارية غير صالحة.



التأجيل بسبب سخونة/برودة البطارية.



لا تختبر بمواد موصلة.



لا تقم بشحن البطاريات المتضررة.



لا تعرضها للماء.



استبدل الأسلاك التالفة فوراً.



اشحن فقط بين ٤ و ٤٠ درجة مئوية.



للاستخدام الداخلي فقط.



تخلص من البطارية بعناية واجبة للبيئة.



اشحن بطاريات ستمانلي بشواحن ستمانلي المخصصة فقط. قد يؤدي شحن بطاريات غير بطاريات ستمانلي مع شاحن ستمانلي إلى انفجارها أو إلى أوضاع خطيرة أخرى.



لا تحرق البطارية.



## محتويات العبوة

تحتوي العبوة على:

١ مثقب/مفك

١ شاحن

٢ بطارية (C٢) أو ١ بطارية (C١)

١ دليل تعليمات

ملاحظة: البطاريات والشواحن غير مشمولة في طرازات N.

- تحقق من وجود أي أضرار في الجهاز أو الملحقات ربما حدث أثناء النقل.
- خصص الوقت الكافي لقراءة وفهم هذا الدليل قبل التشغيل.

## توصيات التخزين

١. يمتاز أفضل مكان للتخزين ببرودته وجفافه وبعده عن أشعة الشمس المباشرة والحجارة أو البرودة المفرطة. للحصول على أفضل أداء وعمر للبطارية. خزن البطاريات عند درجة حرارة الغرفة في حال عدم الاستعمال.
٢. وفيما يخص التخزين الطويل. يوصى بتخزين البطارية المشحونة كلياً في مكان بارد وجاف خارج الشاحن من أجل أفضل النتائج.

## مميزات (شكل أ)

١. مفتاح التشغيل
٢. زر الأمام/الخلف
٣. حلقة تعديل الدوران
٤. مفتاح اختيار ترس التوجيه الثنائي
٥. مقبض بدون مفتاح
٦. البطارية
٧. زر تحرير البطارية
٨. ضوء التشغيل LED
٩. حامل رأس اللقمة

## غرض الاستخدام

تم تصميم هذا المثقب/المفك لاستخدامات الشد والثقب الخفيفة. لا تستخدمه تحت ظروف البلل أو في وجود سوائل أو غازات سريعة الاشتعال.

يعتبر المثقب/المفك أداة كهربائية متخصصة.

لا تدع الأطفال يلمسون الجهاز. يجب الإشراف في حال استخدام الجهاز من قبل مشغلين غير متمرسين.



**تحذير:** لا تحاول مطلقاً فتح البطارية لأي سبب. إذا تصدعت علبة البطارية أو تضررت، لا تدخلها في الشاحن. لا تسحق البطارية أو تسقطها أو تتلفها. لا تستخدم البطارية أو الشاحن الذي يتعرض لضربة حادة أو سقوط أو دمس أو تلف بأي طريقة (أي ثقب بواسطة مسمار، الضرب بمطرقة أو الدوس). فقد ينتج عن ذلك صدمة كهربائية أو القتل بالكهرباء. يجب إعادة البطاريات التالفة إلى مركز الخدمة لإعادة التدوير.



**احتسب:** في حال عدم استخدام الجهاز، ضعه على جانبه على سطح مستقر حيث لن يتسبب بخطر التعثر أو السقوط. تقف بعض الأجهزة ذات البطاريات الكبيرة رأسياً على البطارية لكن قد يسهل إسقاطها.

### تعليمات السلامة المحددة أيون الليثيوم (Li-Ion)

- لا تحرق البطارية حتى إذا كانت متضررة كثيراً أو مهترئة كلياً. يمكن أن تنفجر البطارية في الحريق. تتولد الأبخرة والمواد السامة عند احتراق بطاريات أيون الليثيوم.
- إذا تلامست محتويات البطارية مع الجلد، اغسل المنطقة فوراً بالصابون المعتدل والماء. إذا وصل سائل البطارية إلى العين، اشطف العين المفتوحة بالماء لمدة 15 دقيقة إلى أن يتوقف التهيج. وإذا كانت هناك حاجة لعناية طبية، فإن محلول البطارية يتألف من مزيج من الكربونات العضوية السائلة وأملاح الليثيوم.
- قد تسبب محتويات خلايا البطارية المفتوحة بتهيج تنفسي، وفر الهواء المتجدد. إذا استمرت الأعراض، اطلب العناية الطبية.



**تحذير:** خطر الاحتراق. يمكن أن يصبح سائل البطارية سريع الاشتعال إذا تعرض للشرار أو اللهب.

### النقل

توافق بطاريات سنانلي مع جميع أنظمة الشحن المطبقة وفق المعايير الصناعية والقانونية التي تتضمن توصيات الأمم المتحدة حول نقل البضائع الخطرة. أنظمة البضائع الخطرة للدوليين لنقل الجوي (ATA)، والأنظمة الدولية البحرية للبضائع الخطرة (MDG)، والاتفاقية الأوروبية الخاصة بنقل البضائع الخطرة بالبر (ADR). تم اختبار بطاريات وخلايا أيون الليثيوم وفق البند ٣٨.٣ من دليل اختبارات ومعايير توصيات الأمم المتحدة حول نقل البضائع الخطرة.

في معظم الحالات، سيتم استثناء شحن بطاريات سنانلي من التصنيف كمواد خطيرة من الفئة ٩. وبشكل عام، هناك حالتان تتطلبان الشحن ضمن الفئة ٩:

١. الشحن الجوي لأكثر من بطاريتي أيون الليثيوم نوع سنانلي عندما تتضمن العبوة بطاريات فقط (بدون أجهزة) و
٢. أي شحنة تتضمن بطارية أيون الليثيوم بتصنيف طاقة أعلى من ١٠٠ واط ساعة (و س). حمل جميع بطاريات أيون الليثيوم بتصنيف الواط ساعة على العبوة.

وبغض النظر عن اعتبار الشحنة مستثناة أو منظمة بالكامل، فإن من مسؤولية الشاحن مراجعة أحدث الأنظمة الخاصة بالتعبئة وتسمية/تمييز ومتطلبات التوثيق.

يمكن أن يسبب نقل البطاريات حريقاً إذا تلامست أطراف البطاريات مع المواد الموصلة. احرص عند نقل البطاريات، تأكد أن أطراف البطارية محمية ومعزولة جيداً عن المواد التي قد تتلامس معها وتسبب انقطاع التيار

تم تزويد المعلومات المذكورة في هذا الجزء من الدليل بحسن نية ويعتقد أنها دقيقة خلال إنشاء هذه الوثيقة. رغم ذلك، لا تقدم أية ضمانات صريحة أو ضمنية، إن من مسؤولية المشتري ضمان أن أنشطته تتوافق مع الأنظمة المطبقة.

### وحدة البطارية

#### نوع البطارية

يعمل SCD٢٠ بطارية ١٨ فولط.

#### توصيات التخزين

١. يمتاز أفضل مكان للتخزين ببرودته وجفافه وبعده عن أشعة الشمس المباشرة والحرارة أو البرودة المفرطة. للحصول على أفضل أداء وعمر للبطارية، خزن البطاريات عند درجة حرارة الغرفة في حال عدم الاستعمال.

٢. وفيما يخص التخزين الطويل، يوصى بتخزين البطارية

المشحونة كلياً في مكان بارد وجاف خارج الشاحن من أجل أفضل النتائج.

**ملاحظة:** يجب تخزين البطاريات بدون شحن. يجب إعادة شحن البطارية قبل الاستعمال.

### الملصقات على الشاحن والبطارية

إضافة إلى الصور التوضيحية المستخدمة في هذا الدليل، قد تعرض الملصقات على الشاحن والبطارية الصور التالية:

- فصل الشاحن عن المأخذ قبل محاولة التنظيف. هذا سيقفل من مخاطر التعرض لصدمة كهربائية. لن يؤدي فك البطارية على تقليل هذا الخطر.
  - لا تحاول توصيل شاحنين معاً.
  - تم تصميم الشاحن للعمل وفق الطاقة الكهربائية المنزلية، لا تحاول استخدام أي فولطية أخرى. لا ينطبق ذلك على شاحن المركبات.
- عندما يكتشف الشاحن بطارية باردة، يقوم بتأجيل الشحن تلقائياً حتى تسخن البطارية.
- يستمر الضوء الأحمر بالوميض. لكن مؤشراً أصفر يضيء أثناء التشغيل. عندما تبرد البطارية. ينطفئ الضوء الأصفر ويستأنف الشاحن عملية الشحن.
- تم تصميم أجهزة Stanley Li-Ion بنظام حماية إلكتروني يعمل على حماية البطارية من فرط الحمل أو فرط التسخين أو التفريغ العميق.

## احفظ هذه التعليمات

### الشواحن

يقبل SC201/SC202 بطاريات 18 فولط.







لا تتطلب هذه الشواحن أي تعديل وهي مصممة لتعمل بأكبر قدر من السهولة.

### إجراء الشحن (شكل ٢)

1. أوصل الشاحن (ج) في مأخذ مناسب قبل إدخال البطارية.
  2. أدخل البطارية (g) في الشاحن. يومض ضوء (الشحن) الأحمر باستمرار بما يشير إلى بدء عملية الشحن.
  3. تتم الإشارة إلى استكمال الشحن ببقاء الضوء الأحمر سغالا باستمرار. تكون البطارية مشحونة بالكامل ويمكن استخدامها أو تركها على الشاحن.
- ملاحظة: لضمان أقصى أداء وعمر لبطاريات Li-Ion، اشحن البطارية كلياً قبل الاستخدام الأول.

### عملية الشحن

راجع الجداول أدناه لمعرفة حالة شحن البطارية.

حالة الشحن - SC201	
	جاري الشحن 
	مشحون كلياً 
	التأجيل بسبب سخونة/برودة البطارية 

### التأجيل بسبب سخونة/برودة البطارية

SC201/SC202




عندما يكتشف الشاحن بطارية ساخنة، يقوم بتأجيل الشحن تلقائياً حتى تبرد البطارية.

- لا تشحن أو تستخدم البطارية في أجواء انفجارية، مثلاً في وجود سوائل أو غازات أو أتربة قابلة للاشتعال. قد يؤدي إدخال أو نزع البطارية من الشاحن إلى إشعال الأتربة أو الأبخرة.
- لا تقحم البطارية في الشاحن بقوة. لا تعدل البطارية بأي طريقة لكي تتطابق مع شاحن غير متوافق فقد تنفجر البطارية مسببة إصابة شخصية خطيرة.
- اشحن البطارية في شواحن ستانلي فقط.
- لا ترش عليها الماء أو تغمرها فيه أو في سوائل أخرى.
- لا تخزن أو تستخدم الجهاز والبطارية في أماكن قد تصل فيها درجة الحرارة أو تتجاوز ٤٠ مئوية (١٠٥ فهرنهايت) (مثل السقائف الخارجية أو المباني المعدنية في الصيف).



## الملاحظات الموجودة على الجهاز

قد يتضمن المصق الموجود على جهازك الرموز التالية إلى جانب رمز التاريخ:

	اقرأ دليل التعليمات	هرتز ..... Hz	عزل مزودج من الفئة 2
	استخدم واقى العين	واط ..... W	طرف أرضي
	استخدام واقى الأذن	دقيقة تيار متردد	رمز تنبيه الأمان
V	فولط	min ..... min	تيار مستمر
A	مبير	~	عدد الدورات أو الترددات في الدقيقة
N <sub>0</sub>	السرعة بدون حمل	***	

## وضع رمز التعرف على التاريخ

رمز التاريخ الذي يتضمن كذلك سنة الصنع مطبوع على الغلاف.


مثال:


XX JN ٢٠١٤  
سنة الصنع


## تعليمات هامة للسلامة لجميع شواحن البطاريات


احفظ هذه التعليمات: يحتوي هذا الدليل على تعليمات هامة للسلامة والتشغيل لشواحن البطاريات SC٢٠١.

قبل استعمال الشاحن. اقرأ جميع التعليمات والعلامات التحذيرية على الشاحن وعلى عبوة البطارية والمنتج الذي يستخدم البطاريات.

 تحذير: خطر الصدمة. لا تسمح لأي سائل بالتسرب إلى داخل الشاحن. فقد ينتج عن ذلك صدمة كهربائية.

 احترس: خطر الاحتراق. لتقليل خطر الإصابة. اشحن بطاريات ستانلي القابلة لإعادة الشحن فقط. البطاريات الأخرى يمكن أن تنفجر متسببة في وقوع إصابات وأضرار شخصية.

 احترس: يجب مراقبة الأطفال للتحقق من أنهم لا يعبتون بالجهاز.

 تنبيه: يمكن أن يتعرض الشاحن للقصور بفعل المواد الغريبة تحت ظروف معينة بينما يكون الشاحن

موصولاً بمصدر الطاقة. يجب إبعاد المواد الغريبة ذات الطبيعة الموصلة عن جويفات الشاحن. بما يتضمن ولا يقتصر على غبار الطحن. الرقائق المعدنية، الليف الحديدي. رقائق الألمنيوم أو أي تراكم للجزيئات المعدنية. أفضل الشواحن عن الكهرباء في حال عدم وجود بطارية في التجويف. أفضل الجهاز عن الكهرباء قبل التنظيف.

لا تحاول شحن البطارية بأية شواحن غير المذكورة في هذا الدليل. تم تصميم الشاحن والبطارية للعمل معا.

إن هذه الشواحن ليست معدة لأية استخدامات غير شحن بطاريات ستانلي القابلة لإعادة الشحن. قد تؤدي أية استخدامات أخرى إلى خطر الحريق أو الصدمة الكهربائية أو القتل بالكهرباء.

لا تعرض الشواحن للمطر أو الثلج.

اسحب القابس وليس السلك عند فصل الشاحن عن الكهرباء. فهذا سيقلل خطر تضرر القابس والسلك الكهربائي.

تأكد أن السلك في مكان لن يتعرض للذوس أو التعثر أو التلف أو الضغط.

لا تستخدم سلك التطويل إلا إذا كان ذلك ضروري جداً. قد يؤدي استخدام سلك التطويل غير المناسب إلى خطر الحريق أو الصدمة الكهربائية أو القتل بالكهرباء.

لا تضع أي جسم على الشاحن أو تضع الشاحن على سطح ناعم قد يسبب فتحات التهوية ويؤدي إلى حرارة داخلية مفرطة. ضع الشاحن بعيداً عن أي مصدر للحرارة. تتم تهوية الشاحن من خلال الفتحات الموجودة في أعلى وأسفل الوعاء.

لا تشغل الشاحن إذا كان سلكه أو قابسه تالفاً - استبدله على الفور.

لا تشغل الشاحن غذا تعرض لضربة قوية أو سقط أو تضرر بأي طريقة. خذهُ إلى مركز معتمد للخدمة.

لا تفك الشاحن: بل خذهُ إلى مركز معتمد للخدمة في حال الحاجة إلى خدمة أو إصلاح.

قد تؤدي إعادة التركيب الخاطئة إلى خطر الصدمة الكهربائية أو القتل بالكهرباء أو الحريق."

إذا كان سلك الطاقة تالفاً. يجب استبداله فوراً من قبل المصنع. أو وكيل الخدمة أو شخص مؤهل لمنع أي خطر.

٤. استخدام الجهاز والاعتناء به

والعملات المعدنية والمفاتيح والمسامير والبراغي أو الأشياء المعدنية الصغيرة الأخرى. التي يمكن أن تؤدي إلى توصيل طرف بالطرف الآخر. قد يتسبب توصيل طرفي البطارية مع بعضهما البعض في التعرض لحروق أو نشوب حريق.

أ. لا تفرط في التحميل على الجهاز واستخدمه فقط فيما هو مخصص له حيث يقوم الجهاز بالمهمة الموكلة له بأمان وبشكل أفضل في المهام المخصص لها.

د. في الظروف التعسفية، قد يخرج سائل من البطارية. تجنب ملامسة هذا السائل. في حالة ملامسة هذا السائل بالصدفة، اشطف الجزء الذي لامس السائل بالماء الغزير. وفي حالة ملامسة السائل للعينين، اطلب المساعدة الطبية أيضاً. قد يؤدي السائل المتسرب من البطارية إلى حدوث التهابات أو حروق.

ب. لا تستخدم الجهاز إذا كان المفتاح لا يتحكم في بدء تشغيل الجهاز وإيقاف تشغيله. فأني جهاز لا يمكن التحكم فيه بواسطة المفتاح يكون خطراً ويجب إصلاحه.

ج. افصل القابس من مصدر الطاقة و/أو عبوة البطارية من الجهاز قبل إجراء أية تعديلات أو تغيير ملحقات أو تخزين الأجهزة. إجراءات السلامة الوقائية هذه من شأنها المساهمة في تقليل خطر تشغيل الجهاز دون قصد.

١. الخدمة

أ. يلزم صيانة الجهاز من خلال شخص مؤهل لتنفيذ أعمال الصيانة باستخدام قطع الغيار المطابقة فقط. سوف يضمن ذلك الحفاظ على سلامة الجهاز الكهربائي.

د. خزن الجهاز بعيداً عن متناول أيدي الأطفال ولا تترك الأشخاص غير الملمين بالجهاز أو بتعليمات استخدامه يشغلون الجهاز. حيث يمثل الجهاز خطورة في أيدي المستخدمين غير المدربين.

قواعد السلامة الإضافية المحددة للمثقب/المفك

٥. قم بصيانة الجهاز وتحقق من عدم تراس أو ربط الأجزاء

• ضع واقيات الأذن عند الثقب. يمكن أن يؤدي التعرض للضجيج إلى فقدان السمع.

المتحركة على نحو غير صحيح وأي ظروف أخرى قد تؤثر على تشغيل الجهاز. وإذا حدث تلف في الجهاز، فينبغي إصلاحه قبل الاستخدام. فالعديد من الحوادث تقع جراء عدم صيانة الأجهزة الكهربائية.

• استخدم المقابض المساعدة، إذا كانت مزودة مع الأداة. يمكن أن يؤدي فقدان السيطرة إلى الإصابة الشخصية.

و. حافظ على أدوات القطع نظيفة وحادة. فأدوات القطع ذات الحواف الحادة التي تتم صيانتها بشكل سليم يصعب إعاقتها ويسهل التحكم فيها.

• امسك الجهاز من أسطح المسك المعزولة عند تنفيذ أي عملية حيث يمكن أن تتلامس وحدة القص مع الأسلاك الخفية. يمكن أن تؤدي وحدة القص الملامسة لسلك "حي" إلى جعل الأجزاء المعدنية المكشوفة للجهاز "حية" وقد تصيب المشغل بصدمة كهربائية.

ز. استخدم الجهاز وملحقاته ولقمه وغيرها وفقاً لهذه التعليمات مع مراعاة ظروف العمل والعمل المقرر تنفيذه. إن استخدام الجهاز في تنفيذ عمليات ومهام غير المخصص لها قد يتسبب في حدوث مواقف خطيرة.

المخاطر الكامنة

٥. استخدام الجهاز الذي يعمل بالبطارية والعناية به

رغم تطبيق تعليمات السلامة ذات الصلة وتنفيذ كل إجراءات السلامة والأمان فلا يمكن منع ظهور بعض المخاطر الأخرى.

أ. ينبغي إعادة الشحن فقط باستخدام الشاحن المجدد بواسطة الشركة المصنعة. الشاحن المناسب لنوع معين من حزمة البطارية قد يسبب مخاطر نشوب حريق عند استخدامه مع حزمة بطارية أخرى.

من هذه المخاطر:

ب. استخدم الأجهزة الكهربائية فقط مع حزم البطارية المصممة لها خصيصاً. قد يؤدي استخدام أي حزم بطارية أخرى إلى مخاطر التعرض لإصابة أو نشوب حريق.

- الإضرار بحاسة السمع.

- خطر الإصابة الشخصية بفعل الأجسام المتطايرة.

- خطر الحروق بفعل سخونة الملحقات أثناء التشغيل.

- خطر الإصابة الشخصية بفعل الاستعمال لفترة طويلة.

ج. في حالة عدم استخدام حزمة البطارية، ينبغي الاحتفاظ بها دائماً بعيداً عن الأشياء المعدنية الأخرى؛ مثل مشابك الورق

## غرض الاستخدام

تم تصميم منقرف/مفك براغي ستانلي لفك البراغي والثقب في الخشب والعدن والبلاستيك. هذه الأداة معدة للاستخدام المتخصص وشبه المتخصص.

## تعليمات السلامة

### تحذيرات السلامة العامة للجهاز

**تحذيراً!** يرجى قراءة جميع تعليمات وتحذيرات السلامة. قد يتسبب عدم اتباع التعليمات الواردة أدناه في حدوث صدمة كهربائية أو نشوب حريق أو وقوع إصابة خطيرة.



### احفظ جميع التحذيرات والتعليمات للرجوع إليها مستقبلاً.

. يشير مصطلح "الجهاز" في جميع التحذيرات الواردة أدناه إلى الجهاز الذي يعمل بمصدر التيار الرئيسي (سلكي) أو الجهاز الذي يعمل بالبطارية (لاسلكي).

#### ١. سلامة منطقة العمل

أ. حافظ على منطقة العمل نظيفة وجيدة الإضاءة. فالمنطقة المظلمة أو التي تعتبرها الفوضى مدعاة لوقوع الحوادث.

ب. لا تشغل الجهاز في أجواء انفجارية مثل وجود السوائل أو الغازات أو الجزيئات القابلة للاشتعال. حيث يصدر الجهاز شرراً يمكن أن يتسبب في اشتعال الجزيئات أو الأبخرة.

ج. حافظ على وجود الأطفال والمارة بعيداً أثناء تشغيل الجهاز لأن انشغالك بهم قد يفقدك التحكم في الجهاز.

#### ٢. السلامة الكهربائية

أ. يجب أن تتوافق قوايس الجهاز مع مأخذ التيار. لا تعدل القابس بأي حال من الأحوال. ولا تستخدم أي قوايس معدلة مع جهاز تاريض (مؤرض). فالقوايس غير المعدلة وتوافقها مع مأخذ التيار من شأنه التقليل من خطر الصدمة الكهربائية.

ب. جنب ملامسة الجسم للأسطح الأرضية أو المؤرضة مثل الأنابيب والشعاع والسلاسل والمبردات. حيث يتزايد خطر الإصابة بصدمة كهربائية عندما يكون جسمك مؤرضاً أو موصولاً بالأرض.

ج. لا تعرض الجهاز للمطر أو للبلل حيث تزيد المياه التي تدخل إلى الجهاز من خطر الصدمة الكهربائية.

د. لا تستخدم الكابل بشكّل غير سليم. وإياك واستخدام الكابل في حمل أو سحب الجهاز أو شدّه لنزعه من القابس.

واجعل الكابل بعيداً عن الحرارة أو الزيت أو الحواف الحادة أو الأجزاء المتحركة. واعلم بأن الكابلات التالفة أو المتشابكة تزيد من خطر الصدمة الكهربائية.

٥. عند تشغيل الجهاز خارج المنزل. استخدم كابل تمديد مناسباً للاستخدام خارج المنزل. حيث إن استخدام كابل مناسب للاستخدام خارج المنزل يقلل من خطر الصدمة الكهربائية.

و. عند تعذر جنب تشغيل الجهاز في مكان رطب. استخدم أداة تعمل بالتيار المتبقي لتوفير إمداد طاقة محمي. فاستخدم أداة تعمل بالتيار المتبقي يقلل من خطر الصدمة الكهربائية.

#### ٣. السلامة الشخصية

أ. توخ الحذر وانتبه لما تقوم به وكن متعملاً عند تشغيل الجهاز. لا تستخدم الجهاز عندما تكون متعباً أو واقعاً تحت تأثير المخدرات أو الكحول أو العقاقير. فلحظة سهو واحدة أثناء تشغيل الجهاز كفيلة بالنسب في إصابة شخصية خطيرة.

ب. استخدم معدات الوقاية الشخصية. وارزد دائماً واقبات للأعين. حيث يساعد استخدام معدات الوقاية (مثل قناع الدخان وأحذية السلامة المقاومة للانزلاق وخوذة صلبة وواقبات الأذنين في الظروف المناسبة) في تقليل خطر الإصابة الشخصية.

ج. جنب حدوث التشغيل العرضي. وتأكد من أن مفتاح التشغيل على وضع إيقاف التشغيل قبل التوصيل بمصدر الطاقة و/أو عبوة البطارية أو رفع الجهاز أو حمله. واعلم أن حمل الجهاز وأصبعك على مفتاح تشغيل الجهاز أو توصيل الجهاز بمصدر الطاقة عندما يكون مفتاح التشغيل على وضع بدء التشغيل من شأنه التسبب في وقوع حوادث.

د. قم بإزالة أي مفتاح تعديل أو مفتاح ربط قبل بدء تشغيل الجهاز حيث من الممكن أن يتسبب ترك مفتاح الربط أو مفتاح التعديل مرفقاً بالجزء الدوار من الجهاز في حدوث إصابة شخصية.

٥. لا تبعد جسديك كثيراً عن الجهاز أثناء تشغيله وحافظ على رسوخ قدميك وتوازنك دائماً لأن هذا يتيح لك تحكماً أفضل في الجهاز الكهربائي عند حدوث مواقف غير متوقعة.

١. رتد ملابس مناسبة. ولا ترتدي الملابس الفضفاضة أو المجوهرات. وحافظ على شعرك وملابسك وقفازك بعيداً عن الأجزاء المتحركة. لأن الشعر الطويل أو المجوهرات أو الملابس الفضفاضة يمكن أن تعلق بالأجزاء المتحركة.

ز. إذا توفرت مع الجهاز معدات لتربيب وسائل جميع واستخراج الأتربة. فتأكد من أنها موصلة ومستخدمة بشكل صحيح. فاستخدام عدة جميع الأتربة من شأنه التقليل من المخاطر المتعلقة بالأتربة.

## Names & Addresses for STANLEY Service Concessionaries - MIDDLE EAST & AFRICA

**ALGERIA:** Sarl Outillage Corporation, 08 Rue Med Boudiaf - Cheraga - Algiers, Algeria. Tel: (213-21) 371530, Fax: (213-21) 369667. **ANGOLA:** Angoferraria, Lda., Rua Robert Shields, No. 61, Luanda, Angola. Tel: 00244-222-395837 / 222-395034, Fax: 00244-222-394790. **AZERBAIJAN:** RAYON Holdings Ltd. 41 Khagani St Apt. 47 AZ 1001, Baku. Tel: (994-12) 4935544, Fax: (994-12) 5980378. **BAHRAIN:** Kavalani & Sons W.L.L., P.O. Box 71, Sitra, Manama. Tel: (973) 17732888, Fax: (973) 17737379. Alfoz Services Co. W.L.L., P.O. Box 26562, Tubli, Manama. Tel: (973) 17783562, Fax: (973) 17783479. **EGYPT:** El Farab S.A.E., 15-Nabil El Wakkad Street, Dokki, Giza, Egypt. Tel: 00202-37603946 / 002-010-2582544, Fax: 00202-33352796. **ETHIOPIA:** Seif Tewfik Sherif, Arada Sub-City, Kebele 01/02, Global Insurance Building, 2nd Floor, Room 43, P.O. Box 2525, Addis Ababa, Ethiopia. Tel: (251-11) 1563968/ 1563969, Fax: (251-11) 1558009. **IRAQ:** Financial Links, Kazazz Building Arasat Al-Hindia Block No: 629 Street: 31 Building No: 1 Baghdad - Iraq. Tel: 00964 (0)780 195 2223/ 00964 (0)781 3763044. Al Sard Co. for General Trading Ltd. Jbara Bldg. 3Flr, Al Rasheed St. Bagdad. Tel: (964) 18184102. Sakhar Group, Arrasat al-hindya Al Masbah, Baghdad. (964) 7400144446. **JORDAN:** Palestine Tld. Bldg. (Bashiti Hardware), 93 King Abdulrahman 2nd Street, Opp. ELBA House, P.O. Box 3005, Amman 11953, Tel: (962-6) 5349098, Fax: (962-6) 5330731. **KENYA:** Dextron Tools Ltd., P.O. Box 20121-00200, Shariff House, Kimathi Street, Nairobi. Tel: (254-20) 6905000/ 2358021, Fax: (254-20) 6905111/ 6905112. **KUWAIT:** Al Omar Technical Co., P.O. Box 4062, 13041 Safat, Kuwait. Tel: (965) 24848595/ 24840039, Fax: (965) 24845652. Fawaz Al Zayani Establishment, P.O. Box 42426, Shop No. 18, Al Humaizi Commercial Complex, Khalifa Al Jassim, Shuwaikh, Kuwait. Tel: (965) 24828710, Fax: (965) 24828716. Fawaz Al Zayani Establishment, P.O. Box 42426, Shop No.18, Al Humaizi Commercial Complex, Khalifa Al Jassim, Shuwaikh, Kuwait. Tel: (965) 24828716. Fawaz Al Zayani Establishment, Fahaeel Industrial Area, Main St., Sanaya, Kuwait. Tel: (965) 23925830, Fax: (965) 24828716. **LEBANON:** Est. Shaya & Azar S.A.R.L., Boulevard Jdeideh - Mar Takla - Bouchrieh P.O. Box 90545 Jdeideh, Beirut - Lebanon. Tel: 00961 1 872305 / 306 , Fax: 00961 1 872303. **LIBYA:** North Africa Trading ( El Ghoul Brothers), AlHilal Service Center Tawergha St. Misurata. Tel: 00218-091-3221408. **(Benghazi)** Sniydal st., Amr Ibn EL-As Rd. Tel: (+218) 92 5771120. **(Tripoli)** Al Barniq Service Center, Mokhazin elskar st., ElFallah. Tel: (+218) 21 4808019. **(Misrata)** Al Hilal Service Center, Tawergha st. Tel: (+218) 51 262674. **MAURITIUS:** Robert Le Marie Limited, Old Moka Road, Bell Village, P.O. Box 161, Port Louis, Tel: 00230-212 1856/ 212 2847, Fax: 00230-2080843. **MOROCCO:** Ets Louis Guillaud & Cie, 149, Quartier Industriel, Moulay Rachid, Casablanca, Postal Code 20450, Morocco. Tel: 00212-522729233, Fax: 00212-522729096. **NIGERIA:** Meridian Power Tools Ltd., Gr. Floor, #1 Alhaji Masha Rd, Next to Teslim Balogun Stadium, Near National Stadium Surulere, Lagos, Nigeria. Tel: 00234-1-7740431 / 7740410, Fax: 00234-1-7913798. **OMAN:** Al Jizzi Company LLC, P.O. Box 1704, PC 112 Ruwi, Oman. Tel: (968) 24832618/ 24835153, Fax: (968) 24831334/24836460. Al Hassan Technical & Construction Supplies Co. LLC, P.O. Box 1948, P.C. 112, Ruwi, Tel: (968) 24810575 / 24837054, Fax: (968) 24810287/ 24833080. Oman Hardware Co. LLC, P.O. Box 635, Ruwi Postal Code 112, Tel: (968) 24815131, Fax: (968) 24816491. Khimji Ramdas, P.O. Box 19, Post Box 10, Ghala, Muscat, Oman. Tel: (968) 24595906/ 907, Fax: (968) 24852752. Oman Marketing & Service Co. (Omasco), P.O. Box 2734, Behind Honda Showroom, Wattayah, Oman. Tel: (968) 24560232/ 24560255, Fax: (968) 24560993. Oman Marketing & Service Co. (Omasco), Al Ohi, Sohar, Oman. Tel: (968) 26846379, Fax: (968) 26846379. Oman Marketing & Service Co. (Omasco), Sanaya, Salalah, Oman. Tel: (968) 23212290, Fax: (968) 23210936. **PAKISTAN:** ZIT Co - Nasir & Bros., 2nd Floor, Qadri Center, Chowk Dalgran Railway Road, Lahore, Pakistan. Tel: 0092 42 37670839, Fax: 0092 42 37652989. Ammar Service & Spares, 60-Bank Arcade, Serai Road, Karachi, Pakistan. Tel: (92-21) 32426905, Fax: (92-21) 32427214. **QATAR:** Teyseer Industrial Supplies & Services Co. W.L.L. 55, Al Wakalat St. (Between St. 18 & 19) Salwa Industrial Area, P.O. Box 40523 Doha, Qatar. Tel: (974) 44581536, Fax: (974) 44662024. Shaheen Electrical Works & Trading Co. W.L.L, Gate 34, St. 44 Industrial Area P.O. Box 9756, Doha, Tel: (974) 44600230 / 44600525, Fax: (974) 44601338. Al Muffah Service Centre, Al Wakrah Road, P.O. Box 875, Doha, Qatar. Tel: (974) 44650880/ 44650110/ 44446868, Fax: (974) 44441415 / 44662599. **SAUDI ARABIA:** (Al Bahr) Mohamed Ahmed Bin Afif Est., P.O. Box 530, Yanbu, Al Bahr. Tel: (966-4) 3222626/ 3228867, Fax: (966-4) 3222210. (Al Khobar) Fawaz Ebrahim Al Zayani Trading Est., P.O. Box 76026, Al Khobar # 31952, Tel: (966-3) 8140914, Fax: (966-3) 8140824. MSS (Al-Mojil Supply & Services) P.O. Box 450, Jubail 31951, Opp. Gulf Bridge Library & Riyadh House. Tel: (966-3) 3612850/ 3624487/ 3621729, Fax: (966-3) 3623589/ 3620783. (Dammam) MSS (Al-Mojil Supply & Services), P.O. Box 450, Jubail 31951, Opp. Gulf Bridge Library & Riyadh House. Tel: (966-3) 3612850 / 3624487 / 3621729, Fax: (966-3) 3623589 / 3620783. (Al Bawardi Tools & Hardware, P.O. Box 112, Dammam. Tel: (966-3) 8330780 Ext.24 / 8348585 Ext. 24 / +966-3-8335555, Fax: (966-3) 8336303. (Al Hassa) Mutawa Trading & Gen. Services, Maliki road Hafuf city, Al Hassa, KSA. Tel: (966-2) 502846275 (Jeddah) Al Bawardi Tools & Hardware, P.O. Box 16905, Jeddah 21474, Tel: (966-2) 6444547 / 6439035 / 6456095, Fax: (966-2) 6439024. EAC (Al Yousef Contg. & Trdg. Est.), P.O. Box 30377, Jeddah -21477, Tel: (966-2) 6519912, Fax: (966-2) 6511153. (Madina) Garziz Trading for Bldg Mat & Decoration, P.O. Box 3364, Madina. Tel: (966-4) 826 14 90 / 8227636, Fax: (966-4) 8265741. (Riyadh) Industrial Material Organization (IMO), P.O. Box 623, Rail Street, Riyadh. Tel: (966-1) 4028010 Ext 26 / 8001245757, Fax: (966-1) 4037970. Sultan Garment Factory (RSC), P.O. Box 29912, Riyadh 11467, KSA, Tel: (966-1) 4055148 / 4042889, Fax: (966-1) 4055148. Al Bawardi Tools & Hardware, P.O. Box 68, Riyadh 11411, Tel: (966-1) 4484999, Fax: (966-1) 4487877. (Yanbu) Fawaz Ebrahim Al Zayani, Opposite to Al Fouzan, Jeddah highway or King Abdul Aziz road, Yanbu. Tel: (966-4) 3960980, Fax: (966-4) 3961980. Mohamed Ahmed Bin Afif Est., P.O. Box 530, Yanbu, Al Bahr, Tel: (966-4) 3222626/ 3228867, Fax: (966-4) 3222210. **SOUTH AFRICA:** Stanley Black & Decker - RSA, 199 Winze Drive Stormill Exit 9 Roodoepoort, Tel: (2711) 472 0454, Fax: (2711) 472 0482. Trevo Power Tool Service 14 Steenbok Street, Koedoespoort, 0186, Pretoria, South Africa. Tel: (27-86) 1873826, Fax: (27-86) 5001771. **TANZANIA:** General Motors investment Ltd., P.O. Box 16541, 14 Nyerere Road, Vingunguti, Dar-es-Salaam. Tel: (255 22) 2862661/ 2865022, Fax: (255 22) 2862667. **TUNISIA:** Societe Tunisienne De Maintenance (STM), Rue de la Physique. Nouvelle Zone Industrielle Ben Arous., 2013 Ben Arous, Tunisia. Tel: (+216) 79 3989687, Fax: (+216) 71 385154. **UAE:** (Abu Dhabi) Light House Electrical, P.O. Box 120, Abu Dhabi. Tel: (971-2) 6726131, Fax: (971-2) 6720667. Galaxy Equipment Trading, Madinat Zayed (Baada Zaid), Abu Dhabi P.C. 58910, Tel: (971-2) 8844279, Fax: (971-2) 8844297. (Ajman) Al Sukoon Gen. Trdg. Co. LLC, P.O. Box 2975, Ajman. Tel: (971-6) 7435725/ 7438317, Fax: (971-6) 7437350. Al Sukoon Gen. Trdg. Co. LLC, P.O. Box 2975, Ajman. Tel: (971-6) 7435725 / 7438317, Fax: (971-6) 7437350. (Al Ain) Zillion Equipment and Spare Parts Trading LLC, P.O. Box 19740, Opp. Bin Sadal/ Trimix Redymix Sanaiya, Al Ain. Tel: (971-3) 7216690, Fax: (971-3) 7216103. (Dubai) Black & Decker (Overseas) GmbH, P.O. Box 5420, Dubai. Tel: (971-4) 8127400/ 8127406, Fax: (971-4) 82822765. Ideal Star Workshop Eqp. Trading LLC, P.O. Box 37116, Al Quoz, Dubai. Tel: (971-4) 3474160, Fax: (971-4) 3474157, Fine Tools, P.O.Box 30139, Al Quoz, Dubai. Tel: (971-4) 3385240, Fax: (971-4) 3385239. Alebrah Engineering Service, P.O. Box 78954, Al Qusais , Dubai. Tel: (971-4) 2850044, Fax: (971-4) 2844802. (Musaffah) Light House Electrical, P.O. Box 120, Abu Dhabi. Tel: (971-2) 5548315, Fax: (971-2) 5540461. (Sharjah) Mc Coy Middle East LLC, P.O. Box 25793, Sharjah. Tel: (971-6) 5395931, Fax: (971-6) 5395932. Burj Al Madeena, Industrial Area No.1, Opp. Pakistani Masjid, P.O. Box 37635, Sharjah. Tel: (971-6) 5337747, Fax: (971-6) 5337719. Burj Al Madeena , Industrial Area No 1, opp Pakistani Masjid P.O. Box 37635, Sharjah. Tel: (971-6) 5337747, Fax: (971-6) 5337719. (Ras Al Khaimah) Mc Coy Middle East LLC, P.O. Box 10584, Ras Al Khaimah. Tel: (971-7) 2277095, Fax: (971-7) 2277096. **UGANDA:** The Building Center (U) Ltd., 52 Station Road, Kitgum House, P.O. Box 7436, Kampala, Uganda. Tel: (256-41) 4234567/ 4259754, Fax: (256-41) 4236413. **YEMEN:** (Aden) Middle East Trad. Co. Ltd. (METCO), Mualla Dakka, Aden, Yemen. Tel: (967-2) 222670, Fax: (967-2) 222670. (Sana'a) Middle East Trad. Co. Ltd. (METCO), Hayel St., Sana'a, Yemen. Tel: (967-1) 204201, Fax: (967-1) 204204. (Taiz) Middle East Trading Co. (METCO), P.O. Box 12363, 5th Flr, Hayel Saeed Anam Bldg, Al-Mugammah St. Taiz, Yemen. Tel: (967-4) 213455, Fax: (967-4) 219869.