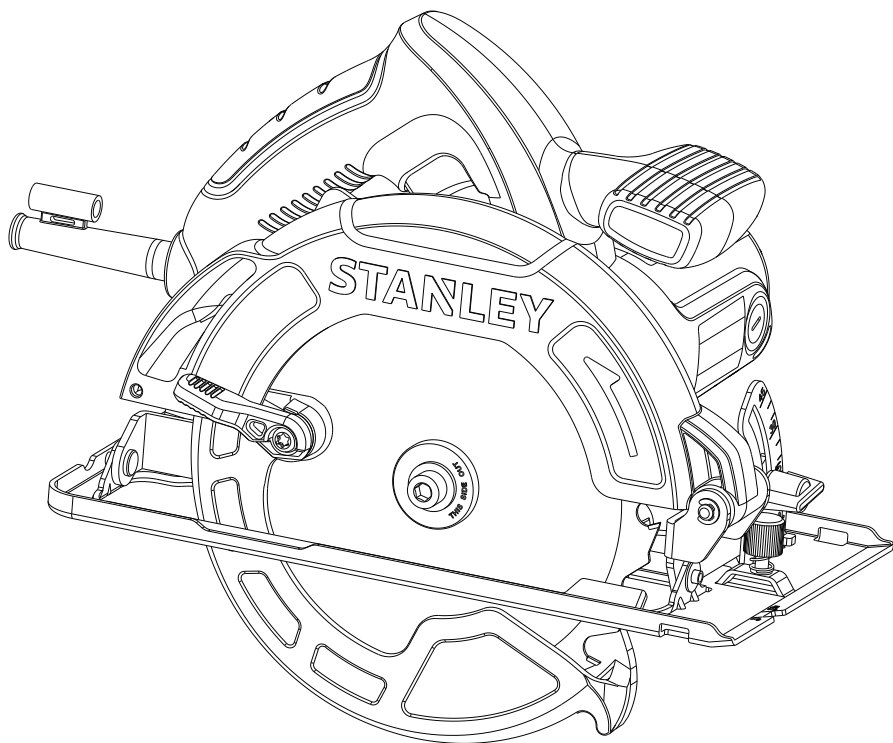
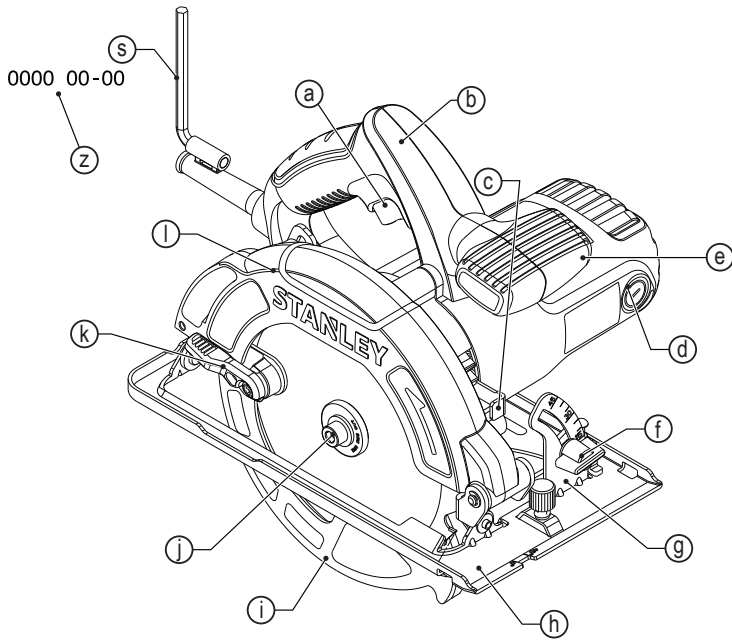


STANLEY®

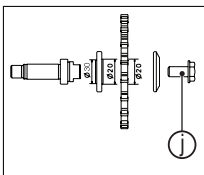
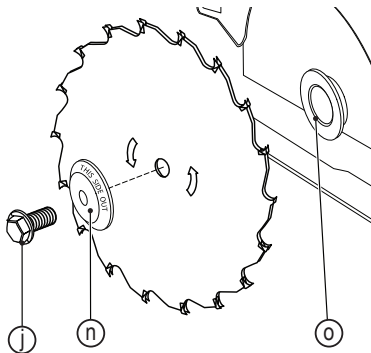


SC16

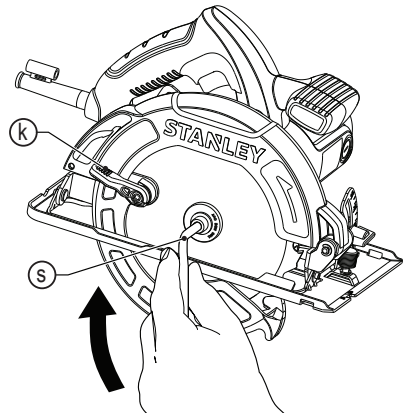
English	Page	07
French	Page	15
العربية	Page	34



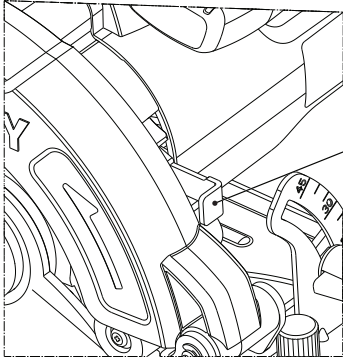
A



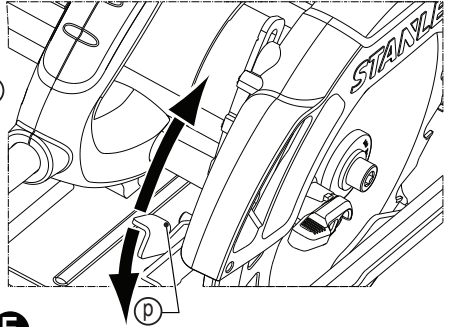
B



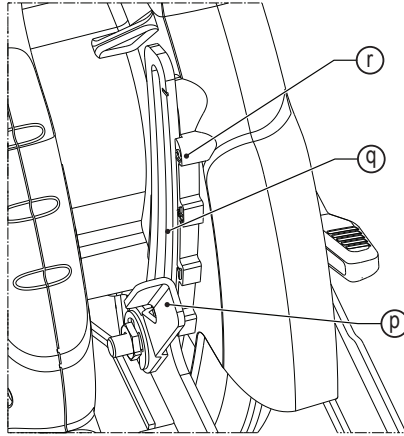
C



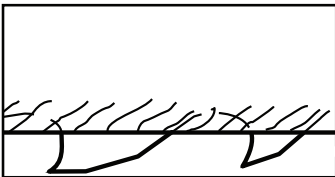
D



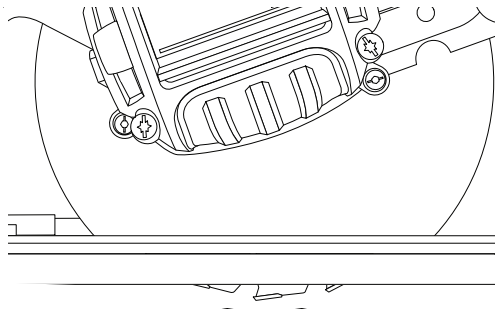
E

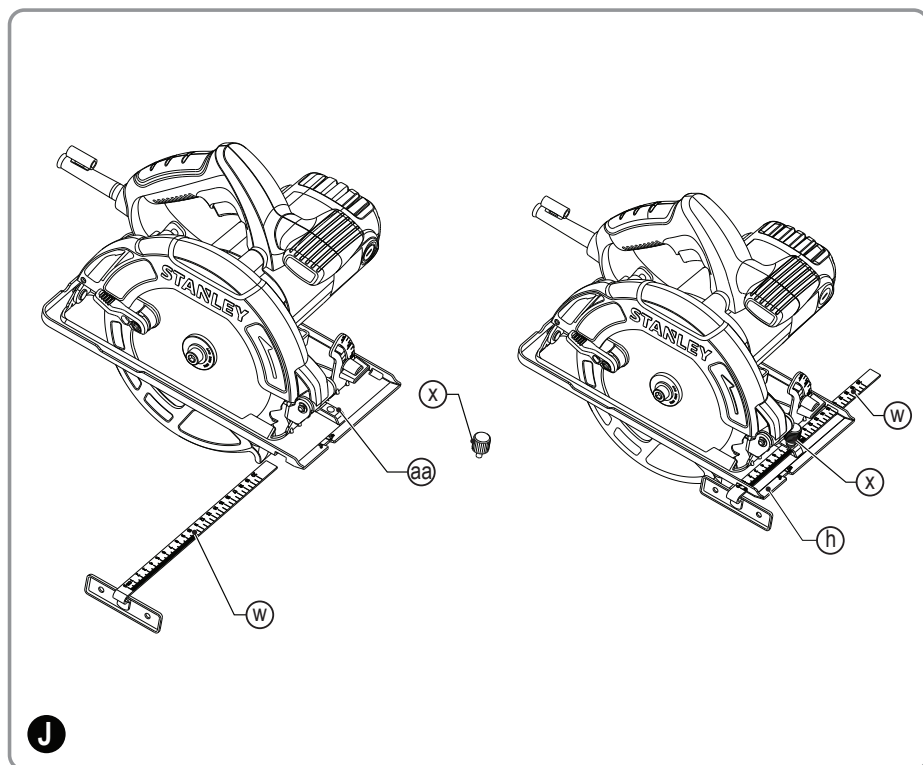
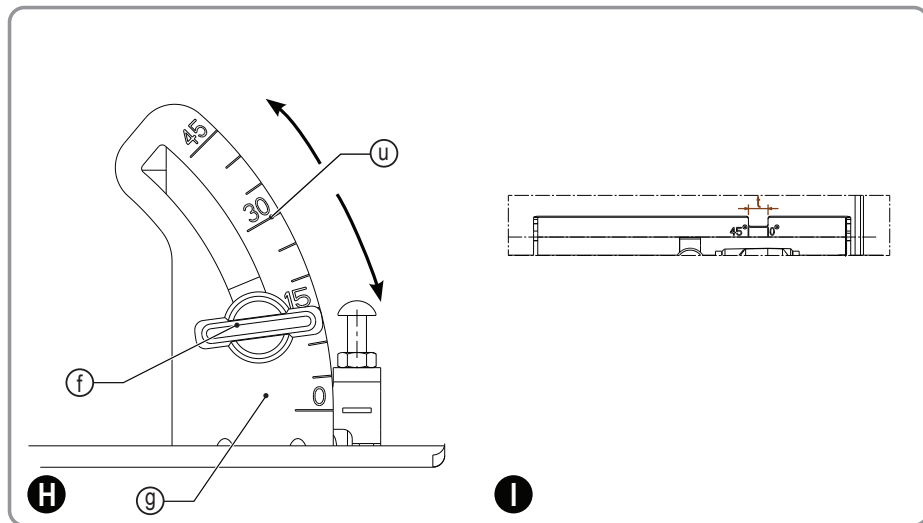


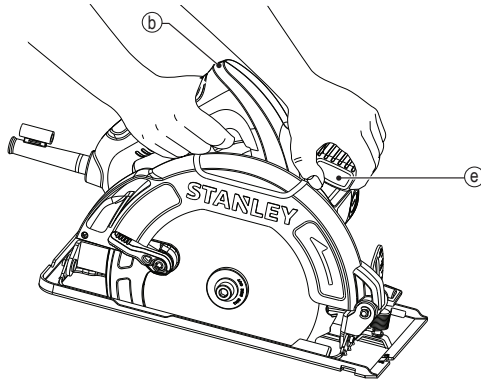
F



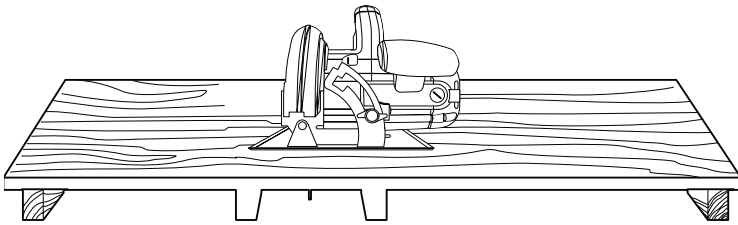
G



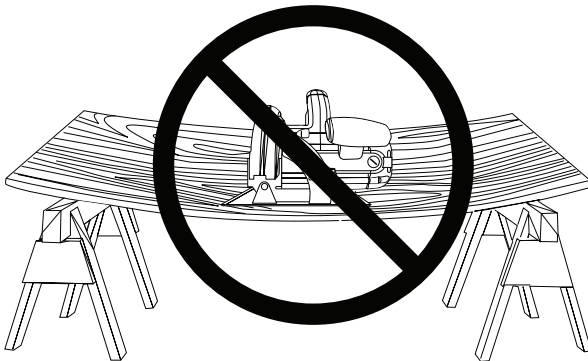




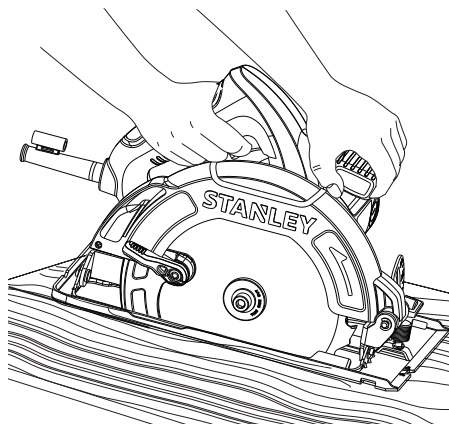
K



L



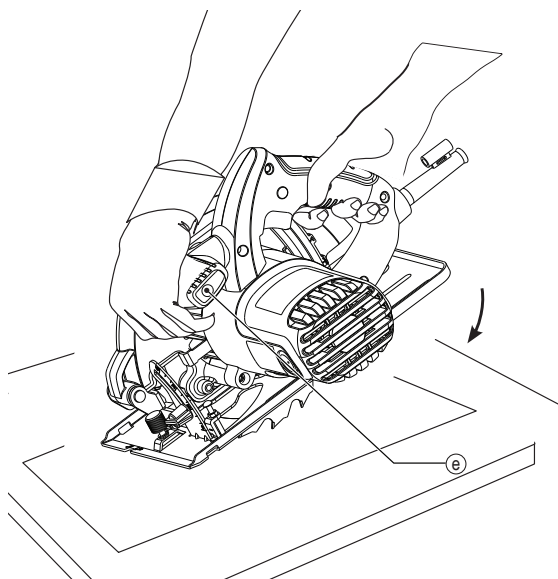
M



N



O



P

INTENDED USE

Your STANLEY Circular Saw SC16 has been designed for wood cutting applications. This tool is intended for professional use.

SAFETY INSTRUCTIONS

The definitions below describe the level of severity for each signal word. Please read the manual and pay attention to these symbols.



DANGER: Indicates an imminently hazardous situation which, if not avoided, **will result in death or serious injury.**



WARNING: Indicates a potentially hazardous situation which, if not avoided, **could result in death or serious injury.**



CAUTION: Indicates a potentially hazardous situation which, if not avoided, **may result in minor or moderate injury.**

NOTICE: Indicates a practice not related to personal injury which, if not avoided, **may result in property damage.**



Denotes risk of electric shock.



Denotes risk of fire.



Warning: To reduce the risk of injury, read the instruction manual.

General power tool safety warnings



WARNING! Read all safety warnings, instructions, illustrations and specifications provided with this power tool. Failure to follow all instructions listed below may result in electric shock, fire and/or serious injury.

Save all warnings and instructions for future reference.

The term "power tool" in the warnings refers to your mains-operated (corded) power tool or battery-operated (cordless) power tool.

1. Work area safety

- a. **Keep work area clean and well lit.** Cluttered or dark areas invite accidents.
- b. **Do not operate power tools in explosive atmospheres, such as in the presence of flammable liquids, gases or dust.** Power tools create sparks which may ignite the dust or fumes.
- c. **Keep children and bystanders away while operating a power tool.** Distractions can cause you to lose control.

2. Electrical safety

- a. **Power tool plugs must match the outlet. Never modify the plug in any way. Do not use any adapter plugs with earthed (grounded) power tools.** Unmodified plugs and matching outlets will reduce risk of electric shock.
- b. **Avoid body contact with earthed or grounded surfaces such as pipes, radiators, ranges and refrigerators.** There is an increased risk of electric

shock if your body is earthed or grounded.

- c. **Do not expose power tools to rain or wet conditions.** Water entering a power tool will increase the risk of electric shock.
 - d. **Do not abuse the cord. Never use the cord for carrying, pulling or unplugging the power tool. Keep cord away from heat, oil, sharp edges or moving parts.** Damaged or entangled cords increase the risk of electric shock.
 - e. **When operating a power tool outdoors, use an extension cord suitable for outdoor use.** Use of a cord suitable for outdoor use reduces the risk of electric shock.
 - f. **If operating a power tool in a damp location is unavoidable, use a residual current device (RCD) protected supply.** Use of an RCD reduces the risk of electric shock.
3. **Personal safety**
 - a. **Stay alert, watch what you are doing and use common sense when operating a power tool. Do not use a power tool while you are tired or under the influence of drugs, alcohol or medication.** A moment of inattention while operating power tools may result in serious personal injury.
 - b. **Use personal protective equipment. Always wear eye protection.** Protective equipment such as a dust mask, non-skid safety shoes, hard hat, or hearing protection used for appropriate conditions will reduce personal injuries.
 - c. **Prevent unintentional starting. Ensure the switch is in the off-position before connecting to power source and/or battery pack, picking up or carrying the tool.** Carrying power tools with your finger on the switch or energising power tools that have the switch on invites accidents.
 - d. **Remove any adjusting key or wrench before turning the power tool on.** A wrench or a key left attached to a rotating part of the power tool may result in personal injury.
 - e. **Do not overreach. Keep proper footing and balance at all times.** This enables better control of the power tool in unexpected situations.
 - f. **Dress properly. Do not wear loose clothing or jewellery. Keep your hair and clothing away from moving parts.** Loose clothes, jewellery or long hair can be caught in moving parts.
 - g. **If devices are provided for the connection of dust extraction and collection facilities, ensure these are connected and properly used.** Use of dust collection can reduce dust-related hazards.
 - h. **Do not let familiarity gained from frequent use of tools allow you to become complacent and ignore tool safety principles.** A careless action can cause severe injury within a fraction of a second.
 4. **Power tool use and care**
 - a. **Do not force the power tool. Use the correct power tool for your application.** The correct power tool will do the job better and safer at the rate for which it was designed.
 - b. **Do not use the power tool if the switch does not**

turn it on and off. Any power tool that cannot be controlled with the switch is dangerous and must be repaired.

- c. **Disconnect the plug from the power source and/ or remove the battery pack, if detachable from the power tool before making any adjustments, changing accessories, or storing power tools.** Such preventive safety measures reduce the risk of starting the power tool accidentally.
 - d. **Store idle power tools out of the reach of children and do not allow persons unfamiliar with the power tool or these instructions to operate the power tool.** Power tools are dangerous in the hands of untrained users.
 - e. **Maintain power tools and accessories. Check for misalignment or binding of moving parts, breakage of parts and any other condition that may affect the power tools operation. If damaged, have the power tool repaired before use.** Many accidents are caused by poorly maintained power tools.
 - f. **Keep cutting tools sharp and clean.** Properly maintained cutting tools with sharp cutting edges are less likely to bind and are easier to control.
 - g. **Use the power tool, accessories and tool bits etc. in accordance with these instructions, taking into account the working conditions and the work to be performed.** Use of the power tool for operations different from those intended could result in a hazardous situation.
 - h. **Keep handles and grasping surfaces dry, clean and free from oil and grease.** Slippery handles and grasping surfaces do not allow for safe handling and control of the tool in unexpected situations.
5. **Service**
- a. **Have your power tool serviced by a qualified repair person using only identical replacement parts.** This will ensure that the safety of the power tool is maintained.

ADDITIONAL SPECIFIC SAFETY RULES

Safety instructions for all saws

Cutting procedures

- a.  **DANGER! Keep hands away from cutting area and the blade. Keep your second hand on auxiliary handle, or motor housing.** *If both hands are holding the saw, they cannot be cut by the blade.*

NOTE: For circular saws with a maximum blade of 140mm or smaller, the words "Keep your second hand on auxiliary handle, or motor housing" do not apply.
- b. **Do not reach underneath the workplace.** *The guard cannot protect you from the blade below the workpiece.*
- c. **Adjust the cutting depth to the thickness of the workpiece.** Less than a full tooth of the blade teeth should be visible below the workpiece.
- d. **Never hold piece being cut in your hands or across your leg.** Secure the workpiece to a stable platform. It is important to support the work properly to minimize body exposure, blade binding, or loss of control.
- e. **Hold power tool by insulated gripping surfaces when performing an operation where the cutting**

tool may contact hidden wiring. Contact with a "live" wire will also make exposed metal parts of the power tool "live" and shock the operator.

- f. **When ripping, always use a rip fence or straight edge guide.** This improves the accuracy of cut and reduces the chance of blade binding.
- g. **Always use blades with correct size and shape (diamond versus round) of arbour holes.** Blades that do not match the mounting hardware of the saw will run eccentrically, causing loss of control.
- h. **Never use damaged or incorrect blade washers or bolt.** The blade washers and bolt were specially designed for your saw, for optimum performance and safety of operation. Additional Safety Information

Further safety instructions for all saws

Kickback causes and related warnings

- Kickback is a sudden reaction to a pinched, bound or misaligned saw blade, causing an uncontrolled saw to lift up and out of the workpiece toward the operator;
- When the blade is pinched or bound tightly by the kerf closing down, the blade stalls and the motor reaction drives the unit rapidly back toward the operator;
- If the blade becomes twisted or misaligned in the cut, the teeth at the back edge of the blade can dig into the top surface of the wood causing the blade to climb out of the kerf and jump back toward the operator.

Kickback is the result of saw misuse and/or incorrect operating procedures or conditions and can be avoided by taking proper precautions as given below:

- a. **Maintain a firm grip with both hands on the saw and position your arms to resist kickback forces.** Position your body to either side of the blade, but not in line with the blade. Kickback could cause the saw to jump backwards, but kickback forces can be controlled by the operator, if proper precautions are taken.
- b. **When blade is binding, or when interrupting a cut for any reason, release the trigger and hold the saw motionless in the material until the blade comes to a complete stop.** Never attempt to remove the saw from the work or pull the saw backward while the blade is in motion or kickback may occur. Investigate and take corrective actions to eliminate the cause of blade binding.
- c. **When restarting a saw in the workpiece, centre the saw blade in the kerf and check that saw teeth are not engaged into the material.** If saw blade is binding, it may walk up or kickback from the workpiece as the saw is restarted.
- d. **Support large panels to minimise the risk of blade pinching and kickback. Large panels tend to sag under their own weight.** Supports must be placed under the panel on both sides, near the line of cut and near the edge of the panel.
- e. **Do not use dull or damaged blades.** Unsharpened or improperly set blades produce narrow kerf causing excessive friction, blade binding and kickback.
- f. **Blade depth and bevel adjusting locking levers must be tight and secure before making cut.** If blade

adjustment shifts while cutting, it may cause binding and kickback.

- g. **Use extra caution when making a “plunge cut” into existing walls or other blind areas.** The protruding blade may cut objects that can cause kickback.

Lower guard safety instructions

- Check the lower guard for proper closing before each use.** Do not operate the saw if lower guard does not move freely and close instantly. Never clamp or tie the lower guard into the open position. If saw is accidentally dropped, lower guard may be bent. Raise the lower guard with the retracting handle and make sure it moves freely and does not touch the blade or any other part, in all angles and depths of cut.
- Check the operation of the lower guard spring.** If the guard and the spring are not operating properly, they must be serviced before use. Lower guard may operate sluggishly due to damaged parts, gummy deposits, or a build-up of debris.
- The lower guard should be retracted manually only for special cuts such as “plunge cuts” and “compound cuts”.** Raise lower guard by retracting handle and as soon as blade enters the material, the lower guard must be released. For all other sawing, the lower guard should operate automatically.
- Always observe that the lower guard is covering the blade before placing saw down on bench or floor.** An unprotected, coasting blade will cause the saw to walk backwards, cutting whatever is in its path. Be aware of the time it takes for the blade to stop after switch is released.

ADDITIONAL SAFETY INSTRUCTIONS FOR CIRCULAR SAWS

- **Wear ear protectors.** Exposure to noise can cause hearing loss.
- **Wear a dust mask.** Exposure to dust particles can cause breathing difficulty and possible injury.
- **Do not use blades of larger or smaller diameter than recommended.** For the proper blade rating refer to the technical data. Use only the blades specified in this manual, complying with EN 847-1.
- **Never use abrasive cut-off and diamond wheels.** Do not cut concrete, brick, steel or other hard materials.
- **Do not use water feed attachments.**
- **Use clamps or another practical way to secure and support the workpiece to a stable platform.** Holding the work by hand or against your body leaves it unstable and may lead to loss of control.
- **Do not use this saw as a table saw.**

Additional safety information



WARNING: We recommend the use of a residual current device with a residual current rating of 30mA or less.

SAFETY OF OTHERS

- This tool is not intended for use by persons (including children) with reduced physical, sensory or mental capabilities, or lack of experience and knowledge, unless they have been given supervision or instruction

concerning use of the tool by a person responsible for their safety.

- Children should be supervised to ensure that they do not play with the appliance.

RESIDUAL RISKS

In spite of the application of the relevant safety regulations and the implementation of safety devices, certain residual risks cannot be avoided. These are:

- Impairment of hearing
- Risk of personal injury due flying particles.
- Risk of burns due to accessories becoming hot during operation.
- Risk of personal injury due to prolonged use.
- Risk of dust from hazardous substances.

ELECTRICAL SAFETY



Your tool is double insulated; therefore no earth wire is required. Always check that the main voltage corresponds to the voltage on the rating plate.



WARNING! If the power cord is damaged, it must be replaced by the manufacturer, authorized STANLEY Service Center or an equally qualified person in order to avoid damage or injury. If the power cord is replaced by an equally qualified person, but not authorized by STANLEY, the warranty will not be valid.

USING AN EXTENSION CABLE

If an extension cable is required, use an approved 3-core extension cable suitable for the power input of this tool (see Technical Data). The minimum conductor size is 1.5 mm²; the maximum length is 30 m. When using a cable reel, always unwind the cable completely.

Cable cross-sectional area (mm ²) Cable rated current (Ampere)	Cable cross-sectional area (mm ²) Cable rated current (Ampere)
0.75	6
1.00	10
1.50	15
2.50	20
4.00	25

Cable length (m)							
	7.5	15	25	30	45	60	

Voltage	Amperes	Cable rated current (Ampere)					
110-127	0 - 2.0	6	6	6	6	6	10
	2.1 - 3.4	6	6	6	6	15	15
	3.5 - 5.0	6	6	10	15	20	20
	5.1 - 7.0	10	10	15	20	20	25
	7.1 - 12.0	15	15	20	25	25	-
220-240	12.1 - 20.0	20	20	25	-	-	-
	0 - 2.0	6	6	6	6	6	6
	2.1 - 3.4	6	6	6	6	6	6
	3.5 - 5.0	6	6	6	6	10	15
	5.1 - 7.0	10	10	10	10	15	15
7.1 - 12.0	15	15	15	15	20	20	
	12.1 - 20.0	20	20	20	20	25	-

Example:

2017 XX JN
Year of manufacturing

PACKAGE CONTAINS

- 1 Circular saw
- 1 Circular saw blade
- 1 Blade wrench
- 1 Parallel fence
- 1 Instruction manual
- Check for damage to the tool, parts or accessories which may have occurred during transport.
- Take the time to thoroughly read and understand this manual prior to operation.

FEATURES (Fig A)

WARNING: Never modify the power tool or any part of it. Damage or personal injury could result.

- a. Trigger switch
- b. Main handle
- c. Blade lock
- d. End cap
- e. Auxiliary handle
- f. Bevel adjustment knob
- g. Bevel angle adjustment mechanism
- h. Base plate
- i. Lower blade guard
- j. Blade clamping screw
- k. Lower guard lever
- l. Upper blade guard



WARNING: These heavy-duty circular saws are designed for professional wood cutting applications. DO NOT use water feed attachments with this saw. DO NOT use abrasive wheels or blades. DO NOT use under wet conditions or in the presence of flammable liquids or gases. Do not use diamond wheels.

These heavy-duty saws are professional power tools. DO NOT let children come into contact with the tool. Supervision is required when inexperienced operators use this tool.

- This product is not intended for use by persons (including children) suffering from diminished physical, sensory or mental abilities; lack of experience, knowledge or skills unless they are supervised by a person responsible for their safety. Children should never be left alone with this product.

BEFORE USE

- Before using the tool for the first time, it is recommended to receive practical information.
- Always check that the supply voltage is the same as the voltage indicated on the nameplate of the tool.
- Use suitable detectors to find hidden utility lines or call the local utility company for assistance(contact with electric lines can lead to fire or electrical shock; damaging a gas line can result in an explosion; penetrating a water pipe will cause property damage or an electrical shock).

LABELS ON TOOL

The label on your tool may include the following symbols:

	must read the instruction manual before use. WARNING! To reduce the risk of injury, the user		
	Wear safety glasses or goggles.		
	Wear ear protection.		
	Wear a dust mask.		
V	Volts		Direct Current
A	Amperes	n_0	No-Load Speed
Hz	Hertz		Class II Construction
W	Watts		Earthing Terminal
min	minutes		Safety Alert Symbol
	Alternating Current	/min.	Revolutions or Reciprocation per minute

Position of date code

The Date Code, which also includes the year of manufacture, is printed into the housing.

- Do not work materials containing asbestos (asbestos is considered carcinogenic).
- Dust from material such as paint containing lead, some wood species, minerals and metal may be harmful (contact with or inhalation of the dust may cause allergic reactions and/or respiratory diseases to the operator or bystanders); wear a dust mask and work with a dust extraction device when connectable.
- Certain kinds of dust are classified as carcinogenic (such as oak and beech dust) especially in conjunction with additives for wood conditioning; wear a dust mask and work with a dust extraction device when connectable.
- Follow the dust-related national requirements for the materials you want to work with.
- Do not clamp the tool in a vice.
- Use completely unrolled and safe extension cords with a capacity of 16 Amps.

AFTER USE

- After switching off the tool, never stop the rotation of the accessory by a lateral force applied against it.

ASSEMBLY AND ADJUSTMENT



WARNING: To reduce the risk of serious personal injury, turn tool off and disconnect tool from power source before making any adjustments or removing/installing attachments or accessories. Before reconnecting the tool, depress and release the trigger switch to ensure that the tool is off. An accidental start-up can cause injury.

CHANGING BLADES



CAUTION: The inner flange has a 20 mm diameter on one side and a 30 mm diameter on the other. The side with 30mm diameter is marked by "30", and the other side with 20mm diameter marked by "20". Use the correct side for the hole diameter of the blade you intend to use. Mounting the blade on the wrong side can result in the dangerous vibration.

To install the blade (Fig A-D)

1. Using the lower guard lever (k), retract the lower blade guard (i) and place blade on saw spindle against the inner clamp washer (o), making sure that the blade will rotate in the proper direction (the direction of the rotation arrow on the saw blade and the teeth must point in the same direction as the direction of rotation arrow on the saw). Do not assume that the printing on the blade will always be facing you when properly installed. When retracting the lower blade guard to install the blade, check the condition and operation of the lower blade guard to assure that it is working properly. Make sure it moves freely and does not touch the blade or any other part, in all angles and depths of cut.
2. Place outer clamp washer (n) on saw spindle with the large flat surface against the blade and the wording on the outer clamp washer facing you.
3. Thread blade clamping screw (j) into saw spindle by hand (screw has right-hand threads and must be turned clockwise to tighten).
4. Depress the blade lock (c) while turning the saw spindle

with the blade wrench until the blade lock engages and the blade stops rotating.

5. Tighten the blade clamping screw firmly with the blade wrench (s).

NOTE: Never engage the blade lock while saw is running, or engage in an effort to stop the tool. Never turn the saw on while the blade lock is engaged. Serious damage to your saw will result.

To replace the blade (Fig B-D)

1. To loosen the blade clamping screw (j), depress the blade lock (c) and turn the saw spindle with the blade wrench (s) until the blade lock engages and the blade stops rotating. With the blade lock engaged, turn the blade clamping screw counterclockwise with the blade wrench (screw has right-hand threads and must be turned counterclockwise to loosen).
2. Remove the blade clamping screw (j) and outer clamp washer (n). Remove old blade.
3. Clean any saw dust that may have accumulated in the guard or clamp washer area and check the condition and operation of the lower blade guard as previously outlined. Do not lubricate this area.
4. Always use blades that are the correct size (diameter) with the proper size and shape center hole for mounting on the saw spindle. Always assure that the maximum recommended speed (rpm) on the saw blade meets or exceeds the speed (rpm) of the saw.
5. Follow steps 1 through 5 under To Install the Blade, making sure that the blade will rotate in the proper direction.

LOWER BLADE GUARD



WARNING: The lower blade guard is a safety feature which reduces the risk of serious personal injury. Never use the saw if the lower guard is missing, damaged, misassembled or not working properly. Do not rely on the lower blade guard to protect you under all circumstances. Your safety depends on following all warnings and precautions as well as proper operation of the saw. Check lower guard for proper closing before each use. If the lower blade guard is missing or not working properly, have the saw serviced before using. To assure product safety and reliability, repair, maintenance and adjustment should be performed by an authorized service center or other qualified service organization, always using identical replacement parts.



WARNING: Never use the saw whose lower guard kept opening by adding a wedge, string, rubber band, or other materials. USE

Checking the lower guard (Fig A)

1. Turn tool off and disconnect from power supply.
2. Rotate the lower guard lever (k) from the fully closed position to the fully open position.
3. Release the lever and observe the lower guard (i) return to the fully closed position.

The tool should be serviced by a qualified service center if it:

- fails to return to the fully closed position,
- moves intermittently or slowly, or
- contacts the blade or any part of the tool in all angles and depth of cut.

Blades

WARNING: To minimize the risk of eye injury, always use eye protection. Carbide is a hard but brittle material. Foreign objects in the workpiece such as wire or nails can cause tips to crack or break. Only operate saw when proper saw blade guard is in place. Mount blade securely in proper rotation before using, and always use clean, sharp blade.

If you need assistance regarding blades, please contact your local STANLEY dealer.

Depth of cut adjustment (Fig E-G)

1. Raise the depth adjustment lever (p) to loosen.
2. To obtain the correct depth of cut, align the notch (q) on the depth adjustment strap with the appropriate mark on the upper blade guard (l).
3. Tighten the depth adjustment lever
4. For the most efficient cutting action using a carbide tipped saw blade, set the depth adjustment so that about one half of a tooth projects below the surface of the wood to be cut.
5. A method of checking for the correct cutting depth is shown in Figure G. Lay a piece of the material you plan to cut along the side of the blade, and observe how much tooth projects beyond the material.

Bevel angle adjustment (Fig H)

The bevel angle adjustment mechanism (g) can be adjusted between 0° and 45°.

1. Turn the bevel adjustment knob (f) to loosen.
2. Tilt the foot plate to the desired angle mark on the pivot bracket (u).
3. Turn the bevel adjustment knob to retighten.

Kerf indicator (Fig I)

The front of the saw shoe has a kerf indicator (t) for vertical and bevel cutting. This indicator enables you to guide the saw along cutting lines penciled on the material being cut. The indicator lines up with the left (inner) side of the saw blade, which makes the slot or "kerf" cut by the moving blade fall to the right of the indicator. The notches on the base plate indicate 0° and 45°.

Mounting and adjusting the parallel fence (Fig J)

The parallel fence (w) is used for cutting parallel to the edge of the workpiece.

Mounting (Fig J-K)

1. Insert parallel fence adjustment knob (x) into the hole (aa) as shown in Figure J, keeping the knob loose to allow the parallel fence to pass.
2. Insert the parallel fence (w) into the base plate(h) as shown in Figure J.
3. Tighten the parallel fence adjustment knob (x).

Adjusting

1. Slacken the fence adjustment knob (x) and set the parallel fence (w) to the desired width. The adjustment can be read on the parallel fence scale.

2. Tighten the fence adjustment knob (x).

Prior to operation

- Make sure the guards have been mounted correctly. The saw blade guard must be in closed position.
- Make sure the saw blade rotates in the direction of the arrow on the blade.
- Do not use excessively worn saw blades.

USE**Instructions for use**

WARNING: Always observe the safety instructions and applicable regulations.



WARNING: To reduce the risk of injury, turn unit off and disconnect machine from power source before installing and removing accessories, before adjusting or changing set-ups or when making repairs. An accidental start-up can cause injury.

Proper hand position (Fig K)

WARNING: To reduce the risk of serious personal injury, ALWAYS use proper hand position as shown.



WARNING: To reduce the risk of serious personal injury, ALWAYS hold securely in anticipation of a sudden reaction.

Proper hand position requires one hand on the main handle (b), with the other hand on the auxiliary handle (e).

Switching on and off (FIG. A)

To run the tool, press the ON/OFF-switch (a).

To stop the tool, release the ON/OFF-switch. Always switch OFF the tool when work is finished and before unplugging.

NOTICE: Do not switch the tool ON or OFF when the saw blade touches the workpiece or other materials.

Workpiece support (Fig L-P)

WARNING: To reduce the risk of serious personal injury, support the work properly and hold the saw firmly to prevent loss of control.

Figures M and O show proper sawing position. Figures N and P show an unsafe condition. Hands should be kept away from cutting area, and power cord is positioned clear of the cutting area so that it will not get caught or hung up on the work.

To avoid kickback, ALWAYS support board or panel NEAR the cut, (Fig M and O). DON'T support board or panel away from the cut (Fig N and P).

When operating the saw, keep the cord away from the cutting area and prevent it from becoming hung up on the work piece.

ALWAYS DISCONNECT SAW BEFORE MAKING ANY ADJUSTMENTS! Place the work with its "good" side—the one on which appearance is most important—down. The saw cuts upward, so any splintering will be on the work face that is up when you saw it.

Cutting

WARNING: Never attempt to use this tool by resting it upside down on a work surface and bringing the material to the tool. Always securely

clamp the workpiece and bring the tool to the workpiece, securely holding the tool with two hands as shown in Figure P. Place the wider portion of the saw foot plate on that part of the work piece which is solidly supported, not on the section that will fall off when the cut is made. As examples, Figure P illustrates the RIGHT way to cut off the end of a board. Always clamp work. Don't try to hold short pieces by hand! Remember to support cantilevered and overhanging material. Use caution when sawing material from below.

Be sure saw is up to full speed before blade contacts material to be cut. Starting saw with blade against material to be cut or pushed forward into kerf can result in kickback.

Push the saw forward at a speed which allows the blade to cut without laboring. Hardness and toughness can vary even in the same piece of material, and knotty or damp sections can put a heavy load on the saw. When this happens, push the saw more slowly, but hard enough to keep working without much decrease in speed. Forcing the saw can cause rough cuts, inaccuracy, kickback, and overheating of the motor. Should your cut begin to go off the line, don't try to force it back on. Release the switch and allow blade to come to a complete stop. Then you can withdraw the saw, sight anew, and start a new cut slightly inside the wrong one. In any event, withdraw the saw if you must shift the cut. Forcing a correction inside the cut can stall the saw and lead to kickback.

IF SAW STALLS, RELEASE THE TRIGGER AND BACK THE SAW UNTIL IT IS LOOSE. BE SURE BLADE IS STRAIGHT IN THE CUT AND CLEAR OF THE CUTTING EDGE BEFORE RESTARTING.

As you finish a cut, release the trigger and allow the blade to stop before lifting the saw from the work. As you lift the saw, the spring-tensioned telescoping guard will automatically close under the blade. Remember the blade is exposed until this occurs.

Never reach under the work for any reason. When you have to retract the telescoping guard manually (as is necessary for starting pocket cuts) always use the retracting lever.

NOTE: When cutting thin strips, be careful to ensure that small cutoff pieces don't hang up on inside of lower guard.

Ripping

Ripping is the process of cutting wider boards into narrower strips – cutting grain lengthwise. Hand guiding is more difficult for this type of sawing and the use of a STANLEY parallel fence (w) is recommended.

Pocket cutting (Fig O)

WARNING: Never tie the blade guard in a raised position. Never move the saw backwards when pocket cutting. This may cause the unit to raise up off the work surface which could cause injury.

A pocket cut is one that is made in a floor, wall or other flat surface.

1. Adjust the saw foot plate so the blade cuts at desired depth.
2. Tilt the saw forward and rest front of the foot plate on material to be cut.

3. Using the lower guard lever, retract lower blade guard to an upward position. Lower rear of foot plate until blade teeth almost touch cutting line.
4. Release the blade guard (its contact with the work will keep it in position to open freely as you start the cut). Remove hand from guard lever and firmly grip auxiliary handle (e), as shown in Figure P. Position your body and arm to allow you to resist kickback if it occurs.
5. Make sure the cutting surface before starting saw.
6. Start the motor and gradually lower the saw until its foot plate rests flat on the material to be cut. Advance saw along the cutting line until cut is completed.
7. Release trigger and allow blade to stop completely before withdrawing the blade from the material.
8. When starting each new cut, repeat as above.

MAINTENANCE

Your STANLEY power tool has been designed to operate over a long period of time with a minimum of maintenance. Continuous satisfactory operation depends upon proper tool care and regular cleaning.

- Regularly clean the ventilation slots in your tool using a soft brush or dry cloth.
- Regularly clean the motor housing using a damp cloth. Do not use any abrasive or solvent-based cleaner. This machine is not user-serviceable. If problems occur contact an authorised repair agent.

Prior to operation

- Make sure the guards have been mounted correctly. The saw blade guard must be in closed position.
- Make sure the saw blade rotates in the direction of the arrow on the blade.
- Do not use excessively worn saw blades.

**Lubrication**

Your power tool requires no additional lubrication.

**Cleaning**

WARNING: Blow dirt and dust out of the main housing with dry air as often as dirt is seen collecting in and around the air vents. Wear approved eye protection and approved dust mask when performing this procedure.



WARNING: Never use solvents or other harsh chemicals for cleaning the non-metallic parts of the tool. These chemicals may weaken the materials used in these parts. Use a cloth dampened only with water and mild soap. Never let any liquid get inside the tool; never immerse any part of the tool into a liquid.

To maintain products SAFETY and RELIABILITY, repair, carbon brush inspection and replacement, any other maintenance or adjustment should be performed by STANLEY Service Centers, always using Stanley replacement parts.

Lower guard

The lower guard should always rotate and close freely from a fully open to fully closed position. Always check for correct operation before cutting by fully opening the guard and letting it close. If the guard closes slowly or not completely it will need cleaning or servicing. Do not use the saw until it functions correctly. To clean the guard, use dry air or a soft brush to remove all accumulated sawdust or debris from the path of the guard and from around the guard spring. Should this not correct the problem, it will need to be serviced by an authorized service center.

Blades

A dull blade will cause inefficient cutting, overload on the saw motor, excessive splintering and increase the possibility of kickback. Change blades when it is no longer easy to push the saw through the cut, when the motor is straining, or when excessive heat is built up in the blade. It is a good practice to keep extra blades on hand so that sharp blades are available for immediate use. Dull blades can be sharpened in most areas.

Hardened gum on the blade can be removed with kerosene, turpentine, or oven cleaner. Anti-stick coated blades can be used in applications where excessive buildup is encountered, such as pressure treated and green lumber.

ACCESSORIES



WARNING: Since accessories, other than those offered by STANLEY, have not been tested with this product, use of such accessories with this tool could be hazardous. To reduce the risk of injury, only STANLEY, recommended accessories should be used with this product.

Consult your dealer for further information on the appropriate accessories.

PROTECTING THE ENVIRONMENT



Separate collection. This product must not be disposed of with normal household waste.

Should you find one day that your STANLEY product needs replacement, or if it is of no further use to you, do not dispose of it with household waste. Make this product available for separate collection.



STANLEY provides a facility for the collection and recycling of STANLEY products once they have reached the end of their working life. To take advantage of this service please return your product to any authorised repair agent who will collect them on our behalf.

You can check the location of your nearest authorised repair agent by contacting your local STANLEY office at the address indicated in this manual. Alternatively, a list of authorised STANLEY repair agents and full details of our after-sales service and contacts are available on the Internet at: www.2helpU.com.

NOTES

STANLEY's policy is one of continuous improvement to our products and as such, we reserve the right to change product specifications without prior notice. Standard equipment and accessories may vary by country. Product specifications may differ by country. Complete product

range may not be available in all countries. Contact your local STANLEY dealers for range availability

SERVICE INFORMATION

STANLEY offers a full network of company-owned and authorized service locations. All STANLEY Service Centers are staffed with trained personnel to provide customers with efficient and reliable power tool service. For more information about our authorized service centers and if you need technical advice, repair, or genuine factory replacement parts, contact the STANLEY location nearest you.

TECHNICAL DATA

CIRCULAR SAW		SC16
Voltage	V _{AC}	220~240
Frequency	Hz	50-60
Power input	W	1600
Rated no-load speed	min ⁻¹	5500
Maximum blade diameter	mm	190
Maximum depth of cut at		
	90°	mm 65
	45°	mm 50
Blade bore	mm	20 / 30
Bevel angle adjustment	mm	45°
Weight	kg	3.90

TWO YEAR WARRANTY

If your STANLEY product becomes defective due to faulty materials or workmanship within 24 months from the date of purchase, STANLEY guarantees to replace all defective parts

free of charge or – at our discretion – replace the unit free of charge provided that:

- The product has not been misused and has been used in accordance with the instruction manual;
- The product has been subject to fair wear and tear;
- Repairs have not been attempted by unauthorized persons;
- Proof of purchase is produced;
- The STANLEY product is returned complete with all original components;
- The product hasn't been used for hire purposes.

If you wish to make a claim, contact your seller or check the location of your nearest authorised STANLEY repair agent in the STANLEY catalogue or contact your local STANLEY office at the address indicated in this manual. A list of authorised STANLEY repair agents and full details of our after sales service is available on the internet at: www.2helpU.com

UTILISATION PRÉVUE

Votre scie circulaire STANLEY SC16 a été spécialement conçue pour les applications de coupe de bois. Cet outil est destiné à une utilisation professionnelle.

CONSIGNES DE SÉCURITÉ

Les définitions ci-dessous définissent le niveau de gravité de chaque mention d'avertissement. Veuillez lire le manuel et prêter attention à ces symboles.



DANGER: Indique une situation imminente dangereuse qui, si elle n'est pas évitée, entraînera des blessures graves ou la mort.



AVERTISSEMENT: Indique une situation potentiellement dangereuse qui, si elle n'est pas évitée, entraînera des blessures graves ou la mort.



ATTENTION: Indique une situation potentiellement dangereuse qui, si elle n'est pas évitée, entraînera des blessures légères ou mineures.

AVIS : Indique une pratique ne concernant pas les blessures corporelles qui, si elle n'est pas évitée, peut entraîner des dommages matériels.



Indique un risque d'électrocution.



Indique un risque d'incendie.



Avertissement : Afin de réduire le risque de blessure, lisez le manuel d'instruction.

Avertissements de sécurité générale concernant l'outil électrique



AVERTISSEMENT! Lisez tous les avertissements de sécurité, les instructions, les illustrations et les spécifications fournies avec cet outil électrique. Le non-respect de ces avertissements et de ces instructions peut provoquer un incendie, une électrocution et/ou de graves blessures.

Conservez ces avertissements et ces instructions à titre de référence ultérieure. Le terme « outil électrique » dans les avertissements fait référence à votre outil électrique alimenté par le courant (avec cordon d'alimentation) ou fonctionnant sur batterie (sans cordon).

1. Sécurité de l'aire de travail

- Travaillez dans un endroit propre et bien éclairé.** Les zones encombrées et sombres peuvent entraîner des accidents.
 - Ne mettez pas en marche votre outil électrique dans un environnement explosif, ou en présence de liquides inflammables, de gaz, ou de poussières.** La mise en marche de l'outil crée des étincelles qui peuvent enflammer les poussières ou vapeurs.
 - Éloignez les enfants et les personnes présentes de la zone lorsque l'outil est en fonctionnement.** Toute distraction peut vous faire perdre le contrôle de l'outil.
- ### 2. Sécurité électrique
- Les fiches de l'outil électrique doivent

correspondre à la prise secteur. Ne modifiez jamais la fiche, de quelque manière que ce soit. N'utilisez pas d'adaptateurs avec des outils ayant une prise de terre (mis à la terre). Des fiches non modifiées et raccordées aux prises murales correspondantes réduiront les risques de choc électrique.

- Évitez le contact direct avec les surfaces mises à la terre ou mises à la masse comme les canalisations, les radiateurs, les cuisinières et les réfrigérateurs.** Le risque de choc électrique augmente si votre corps est mis à la terre ou à la masse.
 - N'utilisez pas d'outils électriques dans des environnements pluvieux ou humides.** Si de l'eau s'introduit dans un outil électrique, le risque de choc électrique augmentera.
 - Ne malmenez pas le cordon d'alimentation.** N'utilisez jamais le cordon pour transporter, tirer ou débrancher l'outil électrique. Veuillez à garder le cordon éloigné des sources de chaleur, des huiles, des rebords coupants ou des pièces mobiles. Les câbles endommagés ou entremêlés augmentent le risque de choc électrique.
 - Lorsqu'un outil électrique est utilisé à l'extérieur, utilisez uniquement une rallonge spécialement prévue à cet effet.** L'usage d'une rallonge adaptée à l'utilisation en extérieur réduit le risque de choc électrique.
 - Habilitez-vous correctement. Ne portez pas de vêtements amples ou de bijoux.** Gardez vos cheveux, vos vêtements et vos gants éloignés des pièces mobiles. Tenez vos cheveux, vêtements et gants éloignés des pièces mobiles. Les vêtements amples, les bijoux ou les cheveux longs peuvent être happés par les pièces mobiles.
- ### 3. Sécurité personnelle
- Soyez vigilant, regardez bien ce que vous faites et faites preuve de bon sens lorsque vous utilisez l'outil électrique.** N'utilisez pas d'outil électrique si vous êtes sous l'influence de drogues, d'alcool ou de médicaments. Un instant d'inattention pendant l'utilisation d'outils électriques peut entraîner des blessures graves.
 - Utilisez un équipement de protection individuel. Utilisez toujours une protection oculaire.** L'utilisation d'équipements de protection tels que les masques anti-poussière, les chaussures de sécurité antidérapantes, les casques de sécurité ou les protections auditives dans des conditions appropriées réduiront les risques de blessures corporelles.
 - Évitez les démarrages intempestifs.** Veillez à ce que l'interrupteur soit en position d'arrêt avant de brancher l'outil à une source d'alimentation et/ou une batterie, de ramasser l'outil ou de le transporter. Transporter les outils électriques avec le doigt sur l'interrupteur ou brancher les outils électriques avec l'interrupteur en position de marche peut entraîner des accidents.
 - Retirez toute clé à molette ou autre clé de réglage avant de mettre l'outil électrique en marche.** Laissez une clé à molette ou une clé sur une partie

rotative de l'outil électrique peut engendrer des blessures corporelles.

- e. **Ne vous penchez pas trop.** Gardez en permanence une position stable et un bon équilibre. Cela permet un meilleur contrôle de l'outil électrique dans des situations imprévues.
 - f. **Portez des vêtements appropriés.** Ne portez pas de vêtements amples ou de bijoux. Tenez vos cheveux, vêtements et gants éloignés des pièces mobiles. Les vêtements amples, les bijoux ou les cheveux longs peuvent être happés par les pièces mobiles.
 - g. **Si des dispositifs destinés au raccordement d'installations d'extraction et de recueil de la poussière sont fournis, assurez-vous qu'ils sont correctement raccordés et utilisés.** L'utilisation de cet outil peut réduire les dangers associés à la présence de poussières.
 - h. **Ne pensez pas que la familiarité que vous avez acquise en utilisant fréquemment des outils vous permet d'être complaisant et d'ignorer les principes de sécurité concernant l'utilisation des outils.** Une action imprudente peut causer de graves blessures en une fraction de seconde.
- 4. Utilisation et entretien de l'outil électrique**
- a. **Ne forcez pas l'outil électrique. Utilisez l'outil électrique adapté à votre travail.** L'outil adapté est plus efficace et moins dangereux s'il est utilisé à la vitesse pour laquelle il a été conçu.
 - b. **N'utilisez pas l'outil si l'interrupteur ne le met pas en position de marche et d'arrêt.** Tout outil qui ne peut être contrôlé par l'interrupteur est dangereux et doit être réparé.
 - c. **Débrancher la fiche de l'alimentation source et / ou la batterie de la batterie de l'outil électrique avant de faire ajustements, changement d'accessoires, ou stockage d'outils électriques.** Ces mesures de sécurité préventives réduisent le risque de démarrage accidentel de l'outil électrique.
 - d. **Conservez les outils électriques inutilisés hors de la portée des enfants et ne laissez pas de personnes non familiarisées avec l'outil ou ces instructions utiliser l'outil électrique.** Les outils électriques sont dangereux pour les utilisateurs inexpérimentés.
 - e. **Maintenir les outils électriques. Vérifiez la dérive d'alignement ou l'attache des pièces mobiles, toute possibilité de rupture de pièces et tout état pouvant affecter l'outil lors de son utilisation.** Si l'outil est endommagé, faites-le réparer avant de l'utiliser. De nombreux accidents sont dus à des outils électriques mal entretenus.
 - f. **Maintenez les outils de coupe aiguisés et propres.** Les outils de coupe bien entretenus aux bords aiguisés sont moins susceptibles de se coincer et plus faciles à contrôler.
 - g. **Utilisez l'outil électrique, les accessoires et les mèches de l'outil etc., conformément à ces instructions en prenant en compte les conditions de travail et la tâche à réaliser.** L'utilisation de l'outil électrique pour des opérations différentes de celles pour lesquelles il a été conçu peut entraîner une situation dangereuse.

- h. **Maintenez les poignées et les surfaces de préhension sèches, propres et exemptes d'huile et de graisse.** Des poignées et des surfaces de préhension glissantes ne permettent pas de manipuler l'outil en toute sécurité et de le contrôler dans des situations inattendues.


5. Réparation

- a. **Faites réparer votre outil électrique par un réparateur agréé utilisant uniquement les pièces de rechange identiques.** Cela permettra de garantir la sécurité de l'outil électrique.

CONSIGNES DE SÉCURITÉ SPÉCIFIQUES ADDITIONNELLES

Consignes de sécurité pour toutes les scies

Procédures de coupe

- a.  **DANGER ! Gardez vos mains hors de portée de la zone de coupe et de la lame. Gardez votre deuxième main sur la poignée auxiliaire ou sur le bloc moteur.** Si les deux mains maintiennent la scie, elles ne peuvent pas être coupées par la lame.

REMARQUE : Pour les scies circulaires avec une lame maximale de 140 mm ou moins, l'instruction « Gardez votre deuxième main sur la poignée auxiliaire ou sur le bloc moteur » ne s'applique pas.

- b. **Ne mettez pas vos mains sous la table à découper.** Au-dessous de la pièce à découper, le protège-lame ne peut pas vous protéger de la lame.
- c. **Réglez une profondeur de coupe égale à l'épaisseur de la pièce à découper.** Moins d'une dent de lame devrait être visible en dessous de la pièce à découper.
- d. **Ne tenez jamais la pièce à découper dans vos mains ou sur votre jambe.** Fixez la pièce à découper sur une table stable. Il est important de fixer correctement la pièce à découper pour minimiser l'exposition du corps et tout risque de grippage de la lame ou de perte de contrôle.
- e. **Tenez l'outil électrique uniquement par les surfaces isolées lorsque vous effectuez une opération au cours de laquelle l'outil coupant peut être en contact avec des câbles cachés. Si les éléments de fixation entrent en contact avec un câble « sous tension », les pièces métalliques de l'outil électrique risquent de transmettre le courant et d'infliger une décharge électrique à l'opérateur.**
- f. **Lors de la refente, utilisez toujours un guide de refente ou un guide parallèle droit.** Cela améliore la précision de la coupe et réduit les risques de grippage de la lame.
- g. **Utilisez toujours des lames ayant des trous de montage de taille et de forme (losange versus rond) correspondantes à celles de l'arbre de montage.** Les lames qui ne correspondent pas à l'arbre de montage de la scie tourneront excentriquement, entraînant une perte de contrôle.
- h. **N'utilisez jamais de rondelles ou d'écrous de lame endommagés ou incorrects.** Les rondelles et les écrous de lame ont été spécifiquement conçus pour votre scie afin d'en optimiser les performances et la sécurité de fonctionnement. Consignes de sécurité supplémentaires

Consignes de sécurité additionnelles pour toutes les scies

Causes de recul et mises en garde associées

- L'effet de rebond est une réaction soudaine d'une lame de scie pincée, accrochée ou mal alignée, qui cause un saut vertical non contrôlé de la scie hors de la pièce découpée en direction de l'opérateur ;
- Lorsque la lame est pincée ou accrochée par la fermeture du trait de scie, celle-ci se bloque et le moteur réagit en renvoyant rapidement l'appareil en arrière et en direction de l'opérateur ;
- Si la lame devient tordue ou n'est plus alignée dans la coupe, les dents situées sur l'arête arrière de la lame peuvent mordre la surface du bois, entraînant la montée de la lame hors du trait de scie et un bond de celle-ci vers l'opérateur.

Le recul résulte d'un mauvais usage de la scie et/ou de l'inobservation des procédures d'utilisation et peut être évité en suivant les précautions appropriées indiquées ci-dessous :

- a. **Saisissez fermement la scie avec les deux mains et placez vos bras de façon à pouvoir résister aux forces du rebond.** Placez votre corps d'un côté ou de l'autre de la lame de la scie et non dans sa trajectoire. Un effet de rebond peut provoquer un saut de la scie vers l'arrière, mais l'opérateur peut maîtriser les forces de rebond en prenant les mesures de précaution adéquates.
- b. **Lorsque la lame se grippe ou lors de l'interruption d'une découpe pour toute raison, relâchez la détente et tenez la scie immobile dans le matériau jusqu'à ce que la lame s'immobilise complètement.** N'essayez jamais de retirer la scie de la pièce ou de tirer la scie vers l'arrière pendant que la lame est en mouvement, pour éviter tout risque de rebond. Recherchez et prenez les actions correctives nécessaires pour éliminer les causes du grippage de la lame.
- c. **Lors du redémarrage d'une scie dans la pièce à découper, centrez la lame dans le trait de scie et vérifiez que les dents de scie ne sont pas engagées dans le matériau.** Si la lame de la scie est bloquée, elle pourrait se déplacer ou produire un rebond au redémarrage de la scie.
- d. **Soutenez les grands panneaux pour minimiser les risques de pincement de lame et d'effet de rebond. Les grands panneaux à traiter ont tendance à fléchir sous leur propre poids.** Installez des pièces d'appui sous le panneau, des deux côtés, près de la ligne de coupe et du bord du panneau.
- e. **N'utilisez pas de lames émoussées ou endommagées.** Des lames non aiguisées ou incorrectement placées produisent un trait de scie étroit et entraînent des frottements excessifs, des grippages de lame et des effets de rebonds.
- f. **Les leviers de verrouillage de la profondeur et de l'inclinaison de la lame doivent être bien serrés avant d'effectuer une coupe.** Si les réglages de la lame changent pendant la découpe, celle-ci peut se gripper ou entraîner un effet de rebond.
- g. **Faites particulièrement attention lors de la réalisation d'une « découpe en plongée » dans des murs existants ou d'autres zones sans visibilité.** La lame en saillie est susceptible de couper des objets pouvant causer des effets de rebonds.

Consignes de sécurité pour le protège-lame inférieur

- a. **Vérifiez, avant chaque utilisation, que le protège-lame inférieur se ferme bien.** N'utilisez pas la scie si le protège-lame inférieur ne se déplace pas librement ou ne se ferme pas instantanément. Ne fixez ou n'attachez jamais le protège-lame inférieur en position ouverte. Si la scie tombe accidentellement, le protège-lame inférieur pourrait se plier. Relevez le protège-lame inférieur à l'aide du levier de rétraction et assurez-vous qu'il se déplace librement et ne touche pas la lame ou aucune autre pièce, et ce, quelles que soient l'inclinaison et la profondeur de coupe.
- b. **Vérifiez le fonctionnement du ressort du protège-lame inférieur.** Si le protège-lame et le ressort ne fonctionnent pas correctement, faites-les réparer avant toute utilisation. Le protège-lame inférieur peut fonctionner lentement à cause de pièces endommagées, de dépôts collants ou d'accumulation de débris.
- c. **Le protège-lame inférieur ne doit être rétracté manuellement que pour des coupes spéciales telles que des « coupes en plongée » et des « coupes combinées ».** Relevez le protège-lame inférieur avec le levier de rétraction et relâchez-le immédiatement une fois que la lame a mordu dans la pièce. Pour tout autre type de sciage, le protège-lame inférieur doit être actionné automatiquement.
- d. **Vérifiez toujours que le protège-lame inférieur recouvre la lame avant de poser la scie sur l'établi ou sur le sol.** Une lame non protégée et tournant toujours par inertie peut faire reculer la scie, en coupant tout ce qu'elle rencontre. Soyez conscient du temps qu'il faut à la lame pour s'arrêter après avoir relâché la détente.

CONSIGNES DE SÉCURITÉ SUPPLÉMENTAIRES POUR LES SCIES CIRCULAIRES

- **Portez des protège-oreilles.** Une exposition au bruit peut provoquer la perte de l'audition.
- **Portez un masque anti-poussière.** Une exposition à des particules de poussière peut entraîner des difficultés respiratoires et d'éventuelles blessures.
- **N'utilisez pas de lames de diamètre plus petit ou plus grand que celui qui est recommandé.**

FRANÇAIS (Traduction des instructions initiales)

Pour savoir le type de lame à utiliser, consultez les données techniques. Utilisez uniquement les lames spécifiées dans ce manuel, en conformité avec la norme EN 847-1.

- **N'utilisez jamais de produits abrasifs et de disques diamant.** Ne coupez pas le béton, la brique, l'acier ou d'autres matériaux durs.
 - **N'utilisez pas des accessoires alimentés en eau.**
 - **Utilisez des serre-joints, un état de serrage ou toute autre méthode pratique pour sécuriser et maintenir la pièce à traiter sur une plate-forme stable.** Le fait de tenir la pièce à traiter avec votre main ou de l'appuyer contre votre corps la rend instable et peut provoquer une perte de contrôle.
 - **N'utilisez pas cette scie comme une scie table.**
- Consignes de sécurité supplémentaires**



AVERTISSEMENT : Nous recommandons l'utilisation d'un dispositif à courant résiduel avec un courant résiduel nominal de 30 mA ou moins.

SÉCURITÉ D'AUTRUI

- Cet outil n'est pas destiné à être utilisé par des personnes (y compris les enfants) présentant des capacités physiques, sensorielles ou mentales réduites, ou sans expérience, ni connaissances, à moins qu'elles ne soient surveillées ou qu'elles n'aient été instruites à l'utilisation de l'appareil par une personne responsable de leur sécurité.
- Les enfants doivent être surveillés pour s'assurer qu'ils ne jouent pas avec l'appareil.

RISQUES RÉSIDUELS

Malgré l'application des instructions de sécurité en vigueur et la mise en œuvre des dispositifs de sécurité, certains risques résiduels ne peuvent être évités. Ces risques sont les suivants :

- Troubles de l'audition.
- Risques de blessures corporelles dus aux particules volantes.
- Risques de brûlures dus aux accessoires devenant brûlant durant leur utilisation.
- Risques de blessures corporelles dus à un usage prolongé.
- Risques d'explosion de poussières de substances dangereuses.

SÉCURITÉ ÉLECTRIQUE



Cet outil dispose d'une double isolation ; aucun fil de terre n'est donc nécessaire. Vérifiez toujours que la tension du secteur correspond à celle de la plaque signalétique.



AVERTISSEMENT ! Si le cordon d'alimentation est endommagé, il doit être remplacé par le fabricant ou un centre de réparation agréé

STANLEY ou encore une personne tout aussi qualifiée afin d'éviter tout accident ou blessure. En cas de remplacement du cordon d'alimentation par une personne tout aussi qualifiée mais non agréée par STANLEY, la garantie ne sera plus valable.

UTILISATION D'UNE RALLONGE

Si une rallonge est nécessaire, utilisez toujours une rallonge agréée à 3 conducteurs, adaptée à la puissance absorbée par cet outil (voir les caractéristiques techniques). La section minimale des conducteurs est de 1,5 mm² ; la longueur maximale est de 30 m. Lorsque vous utilisez un rouleau à câble, déroulez-le toujours complètement.

Superficie de la section transversale du câble (mm ²) Intensité nominale du câble (Ampère)	Superficie de la section transversale du câble (mm ²) Intensité nominale du câble (Ampère)
0.75	6
1.00	10
1.50	15
2.50	20
4.00	25










Longueur du câble (m)

	7.5	15	25	30	45	60
--	-----	----	----	----	----	----

Tension	Ampères	Intensité nominale du câble (Ampère)					
110-127	0 - 2.0	6	6	6	6	6	10
	2.1 - 3.4	6	6	6	6	15	15
	3.5 - 5.0	6	6	10	15	20	20
	5.1 - 7.0	10	10	15	20	20	25
220-240	7.1 - 12.0	15	15	20	25	25	-
	12.1 - 20.0	20	20	25	-	-	-
	0 - 2.0	6	6	6	6	6	6
	2.1 - 3.4	6	6	6	6	6	6
	3.5 - 5.0	6	6	6	6	10	15
	5.1 - 7.0	10	10	10	10	15	15
	7.1 - 12.0	15	15	15	15	20	20
	12.1 - 20.0	20	20	20	20	25	-

ÉTIQUETTES DE L'OUTIL

L'étiquette apposée sur votre outil peut afficher les symboles suivants :

	AVERTISSEMENT ! Pour réduire tout risque de blessure, l'utilisateur doit lire le manuel d'instructions avant toute utilisation.		
	Portez des lunettes de sécurité ou des lunettes-masque.		
	Portez des protège-oreilles.		
	Portez un masque anti-poussière.		
V	Volts		Courant continu
A	Ampères	n_0	Vitesse à vide
Hz	Hertz		Construction de classe II
W	Watts		Borne de terre
min	minutes		Symbole d'alerte de sécurité
	Courant alternatif	/min.	Tours ou mouvements alternatifs par minute

Position du code de la date

Le code de date qui comporte également l'année de fabrication est imprimé sur le logement.

Exemple :

2017 XX JN
Année de fabrication

L'ENSEMBLE CONTIENT

- 1 scie circulaire
- 1 lame pour scie circulaire
- 1 clé pour lame
- 1 guide parallèle
- 1 manuel d'instruction

- Vérifiez que l'outil, les pièces détachées et les accessoires n'ont pas été endommagés durant le transport.
- Prenez le temps de bien lire et comprendre ce manuel avant d'utiliser l'outil.

CARACTÉRISTIQUES (FIG. A)

AVERTISSEMENT : Ne modifiez jamais l'outil électrique ou toute partie de celui-ci. Des dommages ou des blessures pourraient en résulter.

- a. Gâchette
- b. Poignée principale
- c. Verrouillage de lame
- d. Couvreclé d'extrémité
- e. Poignée auxiliaire
- f. Bouton de réglage de l'inclinaison
- g. Mécanisme de réglage de l'angle d'inclinaison
- h. Semelle
- i. Protège-lame inférieur
- j. Vis du serre-lame
- k. Levier du protège-lame
- l. Protège-lame supérieur



AVERTISSEMENT : Ces scies circulaires puissantes sont conçues pour les applications de coupe de bois professionnelles. N'UTILISEZ PAS d'accessoires alimentés en eau avec cette scie. N'UTILISEZ PAS des disques ou des lames abrasifs. N'UTILISEZ PAS cet outil dans des environnements humides ou en présence de liquide inflammable ou de gaz. N'utilisez pas des disques diamant.

Ces scies puissantes sont des outils électriques pour professionnels. NE LAISSEZ PAS les enfants s'approcher de cet outil. Une supervision est nécessaire lorsque des travailleurs inexpérimentés utilisent cet outil.

- Cet outil n'est pas destiné à être utilisé par des personnes (y compris les enfants) présentant des capacités physiques, sensorielles ou mentales réduites, ou sans expérience, ni connaissances, à moins qu'elles ne soient supervisées par une personne responsable de leur sécurité. Les enfants ne devraient jamais être laissés seuls avec ce produit.

AVANT L'UTILISATION

- Avant d'utiliser l'outil pour la première fois, il est recommandé de recevoir des informations pratiques.
- Vérifiez toujours que la tension d'alimentation est la même que la tension indiquée sur la plaque signalétique de l'outil.
- Utilisez des détecteurs adaptés pour trouver les lignes d'eau, d'électricité et de gaz cachées ou appelez les compagnies de service locales pour obtenir de l'aide (tout contact avec des lignes électriques peut provoquer un incendie ou une décharge électrique ; endommager une conduite de gaz peut entraîner une explosion ; couper une conduite d'eau causera des dommages aux biens ou une décharge électrique).
- Ne travaillez pas avec des matériaux contenant de l'amiante (l'amiante est considéré comme cancérigène).
- La poussière provenant de matériaux comme la peinture contenant du plomb, certains types de bois, des minéraux et des métaux peuvent être nuisibles (un simple contact ou l'inhalation de la poussière peut causer des réactions allergiques et/ou des maladies respiratoires pour l'opérateur ou les personnes

se trouvant à proximité) ; portez un masque anti-poussière et travaillez avec un dispositif d'extraction de la poussière lorsqu'il est possible d'en raccorder un.

- Certains types de poussières sont classées comme cancérogènes (tels que les poussières de chêne et hêtre) particulièrement lorsque des additifs ont été utilisés pour conditionner le bois ; portez un masque anti-poussière et travaillez avec un dispositif d'extraction de la poussière lorsqu'il est possible d'en raccorder un.
- Suivez les exigences nationales liées à la poussière relatives aux matériaux que vous voulez découper.
- Ne serrez pas l'outil dans un étai.
- Utilisez des rallonges complètement déroulées et sûres ayant une capacité de 16 ampères.

APRÈS L'UTILISATION

- Une fois que l'alimentation est coupée, n'essayez jamais d'arrêter la rotation de la lame en exerçant une force latérale sur elle.

MONTAGE ET RÉGLAGE



AVERTISSEMENT : Pour réduire le risque de blessures physiques graves, arrêtez l'outil et débranchez-le du secteur avant de réaliser des réglages ou de démonter/installer des accessoires. Avant de rebrancher l'outil, appuyez sur la gâchette et relâchez-la pour vous assurer que l'outil est déjà hors tension. Un démarrage accidentel peut provoquer des blessures.

REMPLACEMENT DES LAMES



ATTENTION : La bride intérieure a un diamètre de 20 mm d'un côté et un diamètre de 30 mm de l'autre. Le côté de 30 mm de diamètre est marqué « 30 », et le côté de 20 mm diamètre est marqué « 20 ». Utilisez le côté correct pour le diamètre de l'alésage de la lame que vous comptez utiliser. Un montage de la lame du mauvais côté peut entraîner des vibrations dangereuses.

Installation de la lame (Fig. A à D)

1. À l'aide du levier du protège-lame inférieur (k), baissez le protège-lame inférieur (i) et placez la lame sur l'axe de la scie contre la rondelle de serrage intérieure (o), en veillant à ce que la lame tourne dans le bon sens (le sens de la flèche de rotation sur la lame de scie et les dents doivent pointer dans la même direction). Ne supposez pas que l'impression sur la lame sera toujours orientée vers vous lorsque la lame est correctement installée. Lorsque vous rétractez le protège-lame inférieur pour installer la lame, vérifiez l'état et le bon fonctionnement du protège-lame inférieur pour vous assurer qu'il fonctionne correctement. Assurez-vous qu'il se déplace librement et ne touche pas la lame ou aucune autre pièce, et ce, quelles que soient l'inclinaison et la profondeur de coupe.
2. Placez la rondelle de serrage extérieur (n) sur l'axe en veillant à appuyer la grande surface plate contre la lame et à ce que les mots imprimés sur la rondelle de serrage extérieur vous fassent face.

3. Vissez à la main la vis de serrage de la lame (j) sur l'axe de la scie (la vis qui a un filetage à droite est serrée en la tournant dans le sens horaire).
4. Enfoncez le verrou de lame (c) en tournant l'axe de la scie avec la clé à lame jusqu'à ce que le verrou de lame s'enclenche et que la lame s'arrête de tourner.
5. Serrez la vis de serrage de la lame fermement avec la clé à lame (s).

REMARQUE : N'engagez jamais le verrou de lame pendant que la scie est en train de tourner, ou pour arrêter l'outil. Ne démarrez jamais la scie alors que le verrou de lame est engagé. Votre scie subirait de graves dommages.

Remplacement de la lame (Fig. B à D)

1. Pour desserrer la vis de serrage de la lame (j), enfoncez le verrou de lame (c) et tournez l'axe de la scie avec la clé à lame (s) jusqu'à ce que le verrou de lame s'enclenche et que la lame s'arrête de tourner. Une fois que le verrou de lame est engagé, tournez la vis de serrage de la lame dans le sens antihoraire avec la clé à lame (la vis qui a un filetage à droite est desserrée en la tournant dans le sens antihoraire).
2. Retirez la vis de serrage de la lame (j) et la rondelle de serrage extérieur (n). Retirez la lame usée.
3. Nettoyez toutes les particules de poussière qui se sont accumulées dans la zone du protège-lame ou de la rondelle de serrage et vérifiez l'état et le bon fonctionnement du protège-lame inférieur comme indiqué précédemment. Ne lubrifiez pas cette zone.
4. Utilisez toujours des lames qui sont de la bonne taille (diamètre) avec un alésage central ayant les bonnes taille et forme pour pouvoir monter la lame sur l'axe de la scie. Assurez-vous toujours que la vitesse maximale recommandée (tr/min) sur la lame de scie est égale ou supérieure à la vitesse (tr/min) de la scie.
5. Suivez les étapes 1 à 5 de la section Installation de la lame, en veillant à ce que la lame tourne dans le bon sens.

PROTÈGE-LAME INFÉRIEUR



AVERTISSEMENT : Le protège-lame inférieur est un dispositif de sécurité qui réduit les risques de blessures graves.

N'utilisez jamais la scie si le protège-lame inférieur est manquant, endommagé, mal monté, ou s'il ne fonctionne pas correctement. Ne prenez pas sur le protège-lame inférieur pour vous protéger en toutes circonstances. Pour veiller à votre sécurité, vous devez observer tous les avertissements et précautions suivants et utiliser correctement la scie. Vérifiez, avant chaque utilisation, que le protège-lame inférieur se ferme bien. Si le protège-lame inférieur est manquant ou ne fonctionne pas correctement, faites réparer la scie avant de l'utiliser. Pour assurer la fiabilité et la sécurité de l'outil, les réparations, l'entretien et le réglage doivent être effectués par un centre de service agréé ou du personnel qualifié en utilisant toujours les mêmes pièces de rechange.



AVERTISSEMENT : N'utilisez jamais la scie lorsque le protège-lame est maintenu ouvert avec un coin, une corde, un élastique, ou tout autre dispositif. UTILISATION

Vérification du protège-lame inférieur (Fig. A)

1. Mettez l'outil hors tension et débranchez-le de l'alimentation électrique.
2. Faites pivoter le levier du protège-lame inférieur (k) de la position complètement fermée à la position complètement ouverte.
3. Relâchez le levier et observez le protège-lame inférieur (i) retourner à la position complètement fermée.

L'outil devrait être réparé par un centre de service qualifié s'il :

- ne retourne pas à la position complètement fermée,
- se déplace par intermittence ou lentement, ou
- touche la lame ou toute autre partie de l'outil, quelles que soient l'inclinaison ou la profondeur de la coupe.

Lames

AVERTISSEMENT : Pour minimiser le risque de blessure aux yeux, utilisez toujours des lunettes de protection. Le carbure est un matériau dur, mais cassant.

Des objets étrangers dans la pièce à couper comme un câble ou des clous peuvent fissurer ou briser des pointes en carbure. Utilisez uniquement la scie lorsque le protège-lame correct est en place. Montez la lame de façon à ce qu'elle tourne dans le bon sens et en la serrant bien avant de l'utiliser, et utilisez toujours des lames bien aiguisées et propres.

Si vous avez besoin d'assistance concernant les lames, veuillez contacter votre revendeur local STANLEY.

Réglage de la profondeur de coupe (Fig. E à G)

1. Soulevez le levier de réglage de la profondeur (p) pour desserrer le mécanisme de réglage.
2. Pour régler la profondeur de coupe correcte, alignez l'encoche (q) sur la bande de réglage de profondeur avec la marque appropriée sur le protège-lame supérieur (l).
3. Serrez le levier de réglage de la profondeur.
4. Pour couper le plus efficacement possible à l'aide d'une lame de scie à pointes en carbure, réglez la profondeur de sorte que seule la moitié d'une dent pénètre la surface de bois à couper.
5. Une méthode de vérification de la profondeur de coupe correcte est montrée sur la figure G. Posez un morceau du matériau que vous voulez couper sur le côté de la lame, et observez la hauteur de dents qui pénètre dans le morceau de matériau.

Réglage de l'angle d'inclinaison (Fig. H)

Le mécanisme de réglage de l'angle d'inclinaison (g) peut être réglé entre 0° et 45°.

1. Tournez le bouton de réglage de l'inclinaison (f) pour desserrer le mécanisme de réglage
2. Inclinez la semelle à l'angle souhaité marqué sur l'équerre du pivot (u).
3. Tournez le bouton de réglage de l'inclinaison pour resserrer le mécanisme.

Indicateur de trait de scie du type (Fig. I)

L'avant de la semelle dispose d'un indicateur de trait de

scie (t) pour les coupes verticales et les chanfreinages. Cet indicateur permet de guider la scie le long d'une ligne de coupe marquée au crayon sur le matériau à découper. L'indicateur est aligné avec le côté gauche (intérieur) de la lame de scie, donc la rainure ou le « trait de scie » laissé par le mouvement de la lame se trouve à droite de l'indicateur. Les encoches sur la semelle indiquent 0° et 45°.

Montage et réglage du guide parallèle (Fig. J)

Le guide parallèle (w) est utilisé pour faire des coupes parallèles au bord de la pièce.

Montage (Fig. J à K)

1. Insérez le bouton de réglage du guide parallèle (x) dans le trou (aa), comme illustré à la figure J, sans le serrer pour pouvoir glisser le guide parallèle dans la semelle.
2. Insérez le guide parallèle (w) dans la semelle (h), comme illustré à la figure J.
3. Serrez le bouton de réglage du guide parallèle (x).

RÉGLAGE

1. Desserrez le bouton de réglage du guide (x) et réglez le guide parallèle (w) à la largeur désirée. La largeur réglée peut être lue sur l'échelle graduée du guide parallèle.
2. Serrez le bouton de réglage du guide parallèle (x).

Avant l'utilisation

- Assurez-vous que les protège-lame ont été montés correctement. Le protège-lame de la scie de protection doit être en position fermée.
- Assurez-vous que la lame de scie tourne dans le sens de la flèche tracée sur la lame.
- N'utilisez pas de lames de scie excessivement usées.

UTILISATION**Mode d'emploi**

AVERTISSEMENT : Suivez toujours les instructions de sécurité et le règlement applicable.



AVERTISSEMENT : Pour réduire les risques de blessures, mettez l'outil hors tension et débranchez-le de toute source d'alimentation avant le montage ou le démontage des accessoires et avant de régler ou de changer des réglages ou de faire des réparations. Un démarrage accidentel peut provoquer des blessures.

Position correcte des mains (Fig. K)

AVERTISSEMENT : Pour éviter tout risque de blessures corporelles graves, placez TOUJOURS vos mains comme indiqué.



AVERTISSEMENT : Afin de réduire le risque de blessure corporelle sérieuse, tenez TOUJOURS l'outil fermement de manière à anticiper une réaction soudaine.

La position correcte des mains consiste à placer une main sur la poignée principale (b) et l'autre sur la poignée auxiliaire (e).

Allumer et éteindre (FIG. A)

Pour lancer l'outil, appuyez sur l'interrupteur ON / OFF (a). Pour arrêter l'outil, relâchez le commutateur ON / OFF. Éteignez toujours l'outil lorsque le travail est terminé et avant de le débrancher.

AVIS : N'allumez et n'éteignez jamais l'outil lorsque la lame de scie touche la pièce à découper ou d'autres matériaux.

Soutien de la pièce à couper (Fig. L à P)

AVERTISSEMENT : Afin de réduire le risque de blessures graves, il est important de soutenir correctement la pièce à découper et de tenir la scie fermement pour éviter toute perte de contrôle.

Les figures M et O illustrent la bonne position pour scier. Les figures N et P illustrent une situation dangereuse. Les mains doivent être tenues à l'écart de la zone de coupe, et le cordon d'alimentation positionné hors de la zone de coupe de sorte afin de ne pas être coincé ou accroché par la pièce à couper.

Pour éviter tout recul soudain, soutenez TOUJOURS la planche ou le panneau près de la zone de coupe (Fig. M et O). Ne soutenez pas la planche ou le panneau loin de la zone de coupe (Fig. N et P).

Lors de l'utilisation de la scie, gardez le cordon loin de la surface de coupe et veillez à ce qu'il ne s'accroche pas à la pièce à couper.

DÉBRANCHEZ TOUJOURS LA SCIE AVANT DE FAIRE DES RÉGLAGES ! Placez la pièce à couper avec le « bon » côté – celui dont l'apparence est la plus importante – vers le bas. La scie coupe vers le haut, donc tout éclatement du matériau sera sur la face de travail tournée vers le haut.

Coupe

AVERTISSEMENT : N'essayez jamais d'utiliser cet outil en le posant à l'envers sur une surface de travail et en mettant le matériau à couper en contact avec l'outil.

Serrez toujours correctement la pièce et mettez l'outil en contact avec la pièce, en tenant fermement l'outil avec les deux mains, comme illustré à la figure P. Placez la partie la plus large de la semelle ou du panneau sur la section de la pièce à couper qui est soutenue, et non pas sur la section qui va tomber lorsque la coupe est faite. À titre d'exemple, la figure P illustre la bonne façon de couper l'extrémité d'un panneau ou d'une planche. Fixez toujours la pièce à couper. N'essayez pas de tenir de petites pièces avec la main ! N'oubliez pas de soutenir les pièces en porte-à-faux et les sections dépassant les supports. Soyez prudent lors du sciage du matériau pour le dessous.

Laissez le temps à la scie d'atteindre sa pleine vitesse avant de mettre la lame en contact avec le matériau à couper. Démarrer la scie lorsque la lame est en contact avec le matériau à couper ou à l'intérieur du trait de scie peut provoquer un retour soudain de l'outil.

Pousser la scie vers l'avant à une vitesse qui permet à la lame de couper sans difficulté. La dureté et la résistance peuvent varier dans la même pièce de matériau et des sections avec des nœuds ou du bois humide peuvent exercer une résistance bien plus grande sur la scie. Lorsque c'est le cas, poussez la scie plus lentement, mais suffisamment fort pour continuer à progresser sans ralentir sensiblement la vitesse de la lame. Le fait de forcer la scie peut causer des coupes plus irrégulières et inexactes, des

retours de l'outil, et une surchauffe du moteur. Si votre coupe commence à s'écarter de la ligne de coupe, n'essayez pas de forcer la lame à reprendre le droit chemin. Relâchez la gâchette et laissez la lame s'arrêter complètement. Vous pouvez alors retirer la scie, regarder à nouveau le trait de scie, et commencer une nouvelle coupe un peu sur le côté du trait de scie existant. Dans tous les cas, retirez la scie si vous devez décaler la coupe. Forcer la scie à changer de trajectoire durant une coupe peut faire caler la scie et conduire à un retour soudain de l'outil.

SI LA SCIE CALE, RELÂCHEZ LA GÂCHETTE ET RETIREZ LA SCIE JUSQU'À CE QUE LA LAME TOURNE LIBREMENT. ASSUREZ-VOUS QUE LA LAME EST PERPENDICULAIRE À LA COUPE, ET À DISTANCE DU BORD DE COUPE AVANT DE REDÉMARRER L'OUTIL.

Lorsque vous terminez une coupe, relâchez la gâchette et laissez la lame s'arrêter avant de retirer la scie de la pièce coupée. Lorsque vous soulevez la scie, le protège-lame télescopique tendu par ressort se ferme automatiquement sous la lame. Rappelez-vous que la lame est exposée tant que le protège-lame ne s'est pas fermé.

Ne mettez jamais la main sous la pièce à couper, quelles que soient les circonstances. Lorsque vous devez fermer le protège-lame télescopique manuellement (comme c'est le cas pour démarrer des coupes en plongée), utilisez toujours le levier de rétraction.

REMARQUE : Lorsque vous découpez des bandes minces, veillez à ce que les petites bandes coupées ne pendent pas à l'intérieur du protège-lame inférieur.

Refente

La refente consiste à découper dans le sens du grain du matériau des pièces larges en bandes plus étroites. Guider la scie à la main est plus difficile pour ce type de sciage et donc il est recommandé d'utiliser le guide parallèle STANLEY (w).

Découpe en plongée (Fig. O)

AVERTISSEMENT : N'attachez jamais le protège-lame en position relevée. Ne déplacez jamais la scie en arrière lors d'une découpe en plongée. La scie pourrait alors se soulever hors de la surface de travail et causer des blessures.

Une découpe en plongée est une découpe faite dans un plancher, un mur ou toute autre surface plane.

1. Ajustez la semelle de la scie de sorte que la lame coupe à la profondeur désirée.
2. Inclinez la scie vers l'avant et reposez l'avant de la semelle sur la pièce à découper.
3. À l'aide du levier du protège-lame inférieur, rétractez le protège-lame inférieur vers le haut. Descendez l'arrière de la semelle jusqu'à ce que les dents de la lame touchent presque la ligne de coupe.
4. Relâchez le protège-lame (il sera alors en contact avec la pièce et pourra s'ouvrir librement dès que vous commencerez la coupe). Lâchez le levier du protège-lame et saisissez fermement la poignée secondaire (e), comme illustré à la figure P. Placez votre corps et votre bras de façon à résister à tout rebond pouvant se produire.
5. Assurez-vous que la lame n'est pas en contact avec la surface de coupe avant de démarrer la scie.

- Démarrez le moteur et plongez graduellement la scie jusqu'à ce que la semelle repose à plat sur la pièce à couper. Déplacez la scie vers l'avant le long de la ligne de coupe sur la distance de coupe désirée.
- Relâchez la détente et attendez l'arrêt complet de la lame avant de retirer la lame de la pièce.
- Répétez les mêmes actions ci-dessus pour chaque nouvelle coupe en plongée.

ENTRETIEN

Votre outil STANLEY a été conçu pour fonctionner pendant une longue période avec un minimum d'entretien. Un fonctionnement continu satisfaisant de l'outil dépend d'un entretien soigneux et régulier.

- Nettoyez régulièrement les fentes d'aération de votre outil à l'aide d'une brosse douce et d'un chiffon sec.
- Nettoyez régulièrement le boîtier du moteur à l'aide d'un chiffon humide. N'utilisez pas d'agent nettoyant abrasif ou à base de solvant. Cet outil n'est pas réparable par l'utilisateur. Si des problèmes surviennent, consultez un agent de réparation agréé.

Avant l'utilisation

- Assurez-vous que les protège-lame ont été montés correctement. Le protège-lame de la scie de protection doit être en position fermée.
- Assurez-vous que la lame de scie tourne dans le sens de la flèche tracée sur la lame.
- N'utilisez pas de lames de scie excessivement usées.



Lubrification

Votre outil électrique ne nécessite aucune lubrification supplémentaire.



Nettoyage



AVERTISSEMENT : Soufflez les saletés et la poussière qui pénètrent dans le cadre de l'outil avec de l'air sec dès que vous observez que de la saleté s'accumule à l'intérieur et autour des prises d'air. Portez des lunettes de protection et des masques anti-poussière approuvés lors de cette procédure.



AVERTISSEMENT : N'utilisez jamais de solvants ou autres produits chimiques corrosifs pour nettoyer les parties non métalliques de l'outil. Ces matériaux chimiques peuvent affaiblir les matériaux de ces parties. Utilisez uniquement un chiffon imbibé d'eau mélangée à un savon doux. Ne laissez jamais couler un liquide à l'intérieur et ne plongez jamais une partie quelconque de l'outil dans l'eau.

Pour maintenir la SÉCURITÉ et la FIABILITÉ des produits, tout remplacement, réparation et inspection des balais de charbon, et autre entretien ou réglage doit être effectué par un centre de services après-vente de STANLEY, en utilisant toujours des pièces de rechange d'origine Stanley.

Protège-lame inférieur

Le protège-lame inférieur doit toujours tourner et se fermer librement depuis la position complètement ouverte jusqu'à

la position complètement fermée. Vérifiez toujours le bon fonctionnement du protège-lame avant de faire une coupe en l'ouvrant complètement et en le laissant se fermer. Si le protège-lame se ferme lentement ou incomplètement, il doit être nettoyé ou réparé. N'utilisez pas la scie tant que le protège-lame ne fonctionne pas correctement. Pour nettoyer le protège-lame, utilisez de l'air sec ou une brosse souple pour enlever tous les débris ou la sciure accumulés dans le chemin du protège-lame et autour du ressort du protège-lame. Si cela ne corrige pas le problème, faites réparer votre outil dans un centre de services agréé.

Lames

Une lame émoussée ralentit la coupe, crée une surcharge sur le moteur de la scie, un éclatement excessif du matériau et un risque accru de retour soudain de l'outil. Changer les lames lorsqu'il n'est plus facile de pousser la scie à travers le chemin de coupe, lorsque le moteur peine ou lorsque la lame chauffe trop. Une bonne pratique consiste à avoir des lames supplémentaires à disposition afin que des lames aiguisées puissent être utilisées dès que nécessaire. Des lames émoussées peuvent être aiguisées dans la plupart des régions.

La gomme durcie sur la lame peut être enlevée avec du kérosène, de l'essence de térébenthine, ou un nettoyeur à four. Des lames enduites d'anti-adhésif peuvent être utilisées lorsque l'accumulation de gomme est excessive, comme c'est le cas des poutres de bois vert ou sous pression.

ACCESSOIRES



AVERTISSEMENT : Puisque les accessoires autres que ceux qui sont offerts par STANLEY n'ont pas été testés avec ce produit, l'utilisation de tels accessoires avec cet outil pourrait être dangereuse. Pour réduire le risque de blessures, seuls les accessoires recommandés par STANLEY devraient être utilisés avec ce produit.

Consultez votre revendeur pour obtenir de plus amples informations sur les accessoires appropriés.

PROTECTION DE L'ENVIRONNEMENT



Collecte séparée. Ce produit ne doit pas être jeté avec les ordures ménagères.



Si vous décidez de remplacer ce produit STANLEY, ou si vous n'en avez plus l'utilité, ne le jetez pas avec vos déchets domestiques. Mettez-le dans un point de collecte séparée approprié.



STANLEY met à votre disposition un centre de collecte et de recyclage pour les produits STANLEY ayant atteint la fin de leur durée de service. Pour profiter de ce service, veuillez retourner votre produit à un agent de réparation agréé qui se chargera de la collecte.

Vous pouvez trouver l'agent de service agréé le plus proche en contactant votre agence STANLEY locale à l'adresse indiquée dans ce manuel. Autrement, une liste d'agents de réparation agréés STANLEY et des informations complètes concernant notre service après-vente, y compris les coordonnées, sont disponibles en ligne à l'adresse suivante: www.2helpU.com.

REMARQUES

STANLEY mène une politique d'amélioration continue de ses produits et se réserve, de ce fait, le droit d'en modifier les caractéristiques sans préavis. Les accessoires ou équipements peuvent varier selon le pays. Les spécifications du produit peuvent varier selon le pays. La gamme complète du produit peut ne pas être disponible dans tous les pays. Contactez votre revendeur STANLEY local concernant la disponibilité de la gamme.

INFORMATION CONCERNANT LE CENTRE DE SERVICE

STANLEY offre un réseau complet de centres de service agréé. Tous les centres de services STANLEY disposent d'un personnel formé afin de fournir un service efficace et de confiance aux clients concernant les outils électriques. Si vous désirez plus d'informations sur les centres de service agréés, ou si vous avez besoin d'informations techniques, de réparation ou de pièce authentique d'usine, contactez le centre STANLEY le plus proche de chez vous.

CARACTÉRISTIQUES TECHNIQUES

SCIE CIRCULAIRE		SC16
Voltage	V _{AC}	220~240
Fréquence	Hz	50-60
Alimentation électrique	W	1600
Vitesse nominale à vide	min ⁻¹	5500
Diamètre de lame	mm	190
Profondeur de découpe maximale à	90°	mm 65
	45°	mm 50
Alésage de lame	mm	20 / 30
Réglage de l'angle d'inclinaison	mm	45°
Poids	kg	3.90

GARANTIE DE DEUX ANS

Si un produit STANLEY s'avère défectueux en raison de matériaux en mauvais état ou d'une erreur humaine dans les 24 mois suivant la date d'achat, STANLEY garantit le remplacement gratuit de toutes les pièces défectueuses ou, à votre discrétion, le remplacement gratuit de l'unité si :

- Le produit a été correctement utilisé et a été utilisé en respectant les instructions du manuel ;
- L'usure du produit est normale ;
- Aucune réparation n'a été tentée par des personnes non autorisées ;
- Une preuve d'achat est donnée ;
- Le produit STANLEY est réexpédié avec tous les composants d'origine ;
- Le produit n'a pas été loué.

Si vous souhaitez faire une réclamation, contactez votre vendeur ou vérifiez l'emplacement de l'agent de réparation agréé STANLEY le plus proche dans votre catalogue STANLEY ou contactez votre bureau local STANLEY à l'adresse indiquée dans ce manuel. Une liste d'agents de réparation agréés STANLEY et des informations complètes concernant notre service après-vente sont disponibles en ligne à l'adresse suivante : www.2helpU.com.

راجع بائع التجزئة لديك لمزيد من المعلومات عن الملحقات المناسبة.

حماية البيئة

الجمع المنفصل. يلزم عدم التخلص من هذا المنتج مع القمامة المنزلية العادية.



إذا لزم في يوم ما استبدال منتج STANLEY الخاص بك، أو إذا لم تعد تستخدمه، فلا تتخلص منه مع القمامة المنزلية الأخرى. اجعل هذا المنتج جاهزاً لعملية جمع المخلفات وفرزها.

توفر STANLEY التسهيلات لاستلام وإعادة تصنيع منتجات STANLEY عندما تصل إلى نهاية حياتها العملية. للاستفادة من هذه الخدمة، يُرجى إعادة منتجك لوكيل الصيانة المعتمد وسوف يستلمها بالنيابة عنك.



يمكنك التعرف على موقع أقرب وكيل صيانة معتمد عبر الاتصال بـ مكتب STANLEY المحلي لديك على العنوان الموضح في هذا الدليل. وبدلاً من ذلك، توجد قائمة بوكلاء الصيانة المعتمدين التابعين لشركة STANLEY والتفاصيل الكاملة لخدمات ما بعد البيع ووسائل الاتصال على الإنترنت على: www.2helpu.com.

ملاحظات

تعتمد سياسة شركة STANLEY على التحسين المستمر لمنتجاتنا، ومن ثم فإننا نحافظ بحق إجراء أي تعديلات على خصائص المنتج بدون إشعار مسبق. يمكن أن تتباين التجهيزات والملحقات القياسية من بلد لآخر. ويمكن أن تتباين مواصفات المنتج من بلد لآخر. يمكن ألا تتوفر المجموعة الكاملة للمنتج في كل البلدان. اتصل بوكيل STANLEY المحلي لديك للتحقق من نطاق التوفر.

معلومات الخدمة

توفر شركة STANLEY شبكة كاملة من مراكز الصيانة المملوكة للشركة وكذلك المعتمدة. لدى كل مراكز صيانة STANLEY فرق عمل مدربة لإمداد العملاء بخدمة فعالة ومعتمدة للأدوات الكهربائية. للحصول على مزيد من المعلومات حول مراكز الخدمة المعتمدة وإذا كنت بحاجة إلى المشورة الفنية أو الإصلاح أو قطع غيار أصلية من المصنع فاتصل بأقرب وكيل STANLEY لديك.

البيانات الفنية

منشأر دؤار	SC16	
220-240	فولتتبار متردد	الجهد الكهربائي
50-60	هرتز	التردد
1600	وات	دخل القدرة
5500	دقيقة ¹	سرعة عدم تحميل المقننة
91x185	ملم	سطح قاعدة الصنفرة
190	كجم	قطر الشفرة الأقصى
		الحد الأقصى لععمق القطع على
65	ملم	90°
50	ملم	45°
20 / 30	ملم	تجويب الشفرة
45°	ملم	آلية ضبط زاوية الشطب
3.90	كجم	الوزن

ضمان لمدة سنتين

- إذا تلف منتج STANLEY الخاص بك بسبب عيب في المواد أو جودة الصنع وذلك أثناء 24 شهر من تاريخ الشراء، فإن شركة STANLEY تضمن استبدال كل الأجزاء المعيبة دون مقابل أو - وفقاً لتقديرنا - استبدال الوحدة بدون مقابل بشرط أن:
- عدم إساءة استخدام المنتج واستخدامه وفقاً لتعليمات الدليل؛
 - خضوع المنتج للاستهلاك العادل؛
 - عدم قيام أفراد غير معتمدين بالتصليح؛
 - تم إصدار دليل شراء؛
 - تم إرجاع منتج STANLEY كاملاً مع كل المحتويات الأصلية؛
 - لم يتم استخدام المنتج في أغراض التآجير.

إذا رغبت في عمل شكوى، اتصل ببائعك أو تحقق من مكان أقرب وكيل إصلاح STANLEY معتمد بالقرب منك

STANLEY معتمد بالقرب منك في دليل STANLEY أو اتصل بمكتب STANLEY المحلي لديك على العنوان المبين في هذا الدليل. تتوفر قائمة بوكلاء الصيانة المعتمدين التابعين لشركة STANLEY والتفاصيل الكاملة لخدمات ما بعد البيع على الإنترنت على

www.2helpu.com

رأيت التراب قد تجمع في فتحات التهوية وحولها. أثناء القيام بهذا الإجراء، ارتدِ واقيّ للعين معتمد مع قناع معتمد للوقاية من التراب.



تحذير: لا تستخدم مطلقاً المذيبات أو المواد الكيماوية القوية الأخرى لتنظيف الأجزاء غير المعدنية في الأداة. يمكن أن تتسبب تلك المواد الكيماوية في إضعاف المواد المستخدمة في هذه الأجزاء. استخدم قطعة قماش رطبة مع ماء وصابون خفيف. لا تترك أي سوائل تتسرب إلى داخل الأداة؛ ولا تغمر أي جزء من أجزاء الأداة في السائل.

للمحافظة على سلامة المنتجات وموثوقيتها في العمل، يجب إجراء جميع عمليات الإصلاح وفحص فرشاة الكربون والاستبدال وأي عمليات صيانة أو تعديل بواسطة مراكز خدمة STANLEY، وباستخدام قطع الغيار المعتمدة من STANLEY فقط.

الغطاء الواقي السفلي

يجب أن يدور ويغلق الغطاء الواقي السفلي دائماً بحرية من وضع الفتح الكامل إلى وضع الإغلاق الكامل. تحقق دائماً من التشغيل الصحيح قبل القطع بواسطة فتح الغطاء الواقي بالكامل ثم تركه يُغلق. إذا كان الغطاء الواقي يغلق ببطء أو بشكل غير كامل فإنه سيحتاج للنظافة أو الصيانة. لا تستخدم المنشار حتى يعمل بشكل صحيح. من أجل تنظيف الغطاء الواقي، استخدم هواءً جافاً أو فرشاة ناعمة لإزالة كل غبار المنشار أو الحطام المتراكم من مسار الغطاء الواقي ومن حول زنبرك الغطاء الواقي. إذا لم يصلح هذا المشكلة، فسوف تكون هناك حاجة للصيانة من قبل مركز خدمة معتمد.

شفرات

سوف تتسبب الشفرة الثامنة في قطع غير فعال وزيادة التحميل على محرك المنشار والتشطي المفرط وزيادة احتمالية الارتداد. قم بتغيير الشفرات عندما لم يعد من السهل دفع المنشار أثناء القطع أو عند إجهاد المحرك أو عندما تظهر الحرارة الزائدة على الشفرة. إنها ممارسة جيدة أن تحتفظ بشفرات إضافية في يدك حيث تكون الشفرات الحادة متاحة للاستخدام الفوري. يمكن شحذ الشفرات الثامنة في معظم المناطق.

يمكن إزالة الصمغ المتصلب من على الشفرة باستخدام الكيروسين أو الترتينين أو منظف الفرن. يمكن استخدام شفرات مطلية مانعة للاتصاق في التطبيقات التي يوجد بها تراكم مفرط، مثل الضغط المعالج والخشب الأخضر.

ملحقات

تحذير: بما أن أي ملحقات أخرى غير تلك المقدمة من قبل STANLEY لم تُختبر مع هذا المنتج، فإن استخدامها قد يكون خطراً للغاية. وللحد من خطر الإصابة، يجب استخدام الملحقات الموصى بها من قبل STANLEY فقط مع هذا المنتج.



1. اضبط قرصة المنشار حتى تقطع الشفرة على العمق المطلوب.
2. أمل المنشار للأمام وأسند القاعدة على المادة التي ستقطع.
3. باستخدام رافعة الغطاء الواقي السفلي، اسحب الغطاء الواقي السفلي للشفرة إلى وضع أعلى. اخفض مؤخرة القاعدة حتى تكاد الشفرة أن تلامس خط القطع.
4. حرر الغطاء الواقي للشفرة (سوف يستمر متصلاً بالعمل حتى يُفتح بحرية عند بدء القطع). أزل يديك عن رافعة الغطاء الواقي وأمسك بحزم المقبض المساعد (e)، كما هو مبين في الشكل P. اجعل جسمك وذراعيك في وضع يسمح بمقاومة الارتداد في حال حدوثه.
5. تأكد من سطح القطع قبل بدء المنشار.
6. شغل المحرك وخفض المنشار تدريجياً حتى تُسند القاعدة بشكل مسطح على المادة التي ستقطع. ادفع المنشار بطول خط القطع حتى يُكتمل القطع.
7. حرر الزناد وارك الشفرة تتوقف تماماً قبل سحب الشفرة عن الخامة.
8. عند البدء في قطع جديد، كرر على النحو الوارد أعلاه.

الصيانة

تم تصميم الأداة الكهربائية من STANLEY لكي تعمر لفترة طويلة بأقل قدر من الحاجة للصيانة. ويعتمد استمرار الآلة في أداء عملها على النحو المرضي على العناية المناسبة والتنظيف المنتظم.

- استخدم فرشاة ناعمة أو قطعة قماش جافة لتنظيف فتحة تهوية الأداة بانتظام.
- نظف مبيت المحرك بانتظام باستخدام قطعة قماش مبللة. لا تستخدم أي منظف ذو أساس كاشط أو مذيّب. هذه الآلة لا تُجرى صيانتها من قبل المستخدم. فإذا حدثت أي مشكلات، يجب الاتصال بوكيل إصلاح معتمد.

قبل التشغيل

- تأكد أن الغطاءين الواقيين تم تركيبهم بصورة صحيحة. يجب أن يكون الغطاء الواقي لشفرة المنشار في الوضع المغلق.
- تأكد أن شفرة المنشار تدور في اتجاه الأسهم الموجودة على الشفرة.
- لا تستخدم بإفراط شفرات منشار مهترئة.

التشحيم



لا تحتاج الأداة الكهربائية إلى تشحيم إضافي.

التنظيف



تحذير: تخلص من الأوساخ والأتربة المتراكمة بالعلبة الرئيسية عن طريق استخدام الهواء الجاف كلما



صغيرة بيدك. تذكر أن تدعم المواد ذات العتبة الناتئة والمعلقة. توخ الحذر عند نشر المادة من الأسفل. تأكد أن المنشار وصل لكامل سرعته قبل ملامسة الشفرة للمادة التي تُقطع. يمكن أن يتسبب بدء النشر بينما تكون الشفرة في مواجهة المادة التي تُقطع أو تُدفع للأمام في الشق في حدود ارتداد.

ادفع المنشار للأمام على سرعة تسمح للشفرة بالقطع بدون جهد. ربما تتباين الصلابة والقسوة حتى في نفس المادة، ويمكن أن تضع الأجزاء المعقدة أو الرطبة حملاً ثقيلًا على المنشار. عند حدوث ذلك، ادفع المنشار ببطء أكثر، ولكن بقوة كافية لمواصلة العمل بدون انخفاض كبير للسرعة. فيمكن أن يتسبب دفع المنشار قسراً في حدوث قطوع خشنة وعدم إتقان وارتداد وزيادة سخونة المحرك. إذا بدء قطعك في الخروج عن الخط، فلا تحاول إجباره على الرجوع إليه. حرر المفتاح واترك الشفرة حتى تتوقف تمامًا. ثم يمكنك سحب المنشار، واستهدف قطع جديد، ثم ابدأ قطع جديد بعض الشيء داخل القطع الآخر الخاطئ. على أية حال، اسحب المنشار إذا كان يجب تغيير القطع. يمكن أن يؤدي التصحيح القسري داخل القطع إلى توقف المنشار وحدث ارتداد.

إذا توقف المنشار، حرر الزناد واسحب المنشار حتى يتم تحريره. تأكد أن الشفرة مستقيمة على القطع ونظف حافة القطع قبل إعادة التشغيل. عندما تنهي القطع، حرر الزناد واترك الشفرة تتوقف قبل رفع المنشار عن العمل. عند رفعك للمنشار، سيغلق الغطاء الواقي ذو النابض الشد المتداخل تلقائيًا تحت الشفرة. تذكر أن الشفرة مكشوفة حتى يحدث ذلك. لا تمسك يدك أسفل العمل لأي سبب. عندما ينبغي عليك سحب الغطاء الواقي المتداخل يدويًا (كما يلزم لبدء القطع التجويفي) استخدم دائمًا رافعة السحب.

ملاحظة: عند قطع شرائط رقيقة، توخ الحذر للتأكد أن القطع المقصوصة الصغير لا تعلق داخل الغطاء الواقي السفلي.

الشق الطولي

يُعد الشق الطولي هو عملية قطع خامة عريضة في أشرطة أضيّق - قطع باتجاه تعريق الخشب بالطول. يُعد التوجيه اليدوي أصعب لهذا النوع من النشر ويُنصح باستخدام حاجز STANLEY الموازي (w).

القطع التجويفي (الشكل O)

تحذير: لا تربط مطلقًا الغطاء الواقي للشفرة في وضع مرتفع. لا تحرك المنشار أبدًا إلى الوراء أثناء قطع التجويف. فربما يؤدي هذا إلى ارتفاع الوحدة عن سطح العمل مما يمكن أن يسبب إصابة. يتم عمل القطع التجويفي في الأرضية أو الحائط أو أي سطح مستوٍ آخر.

الملحقات، وقبل ضبط أو تغيير التثبيت، أو قبل إجراء الإصلاحات. حيث إن بدء التشغيل العرضي قد يؤدي إلى حدوث إصابة.

الوضع اليدوي الصحيح (الشكل K)

تحذير: لتقليل مخاطر الإصابة الشخصية، استخدم دائمًا الوضع اليدوي المناسب كما هو موضح. **تحذير:** لتقليل مخاطر الإصابة الشخصية، احرص دائمًا على الوقوف بأمان تحسبًا لأي ارتداد مفاجيء. يتطلب وضع اليد الصحيح أن تكون إحدى اليدين على المقبض الرئيسي (b)، واليد الأخرى على المقبض المساعد (c).

التبديل وإيقاف (شكل a)

لتشغيل الأداة، اضغط على مفتاح تشغيل / إيقاف (a). لإيقاف الأداة، اترك مفتاح ON / OFF-switch. قم دائمًا بإيقاف تشغيل الأداة عند انتهاء العمل وقبل إلغاء التوصيل. **ملاحظة:** لا تشغل الأداة أو توقفها عندما تلامس شفرة المنشار قطعة العمل أو أي مادة أخرى.

تدعيم قطعة العمل (الأشكال L-P)

تحذير: لتقليل خطر إصابة شخصية بالغة، دعم العمل بطريقة سليمة وامسك المنشار بحزم لتفادي فقدان التحكم.

يشير الشكلان M و O إلى وضع النشر الصحيح. يشير الشكلان P و N إلى وضع غير آمن. يجب إبقاء اليدين بعيدًا عن منطقة القطع، ووضع السلك الكهربائي بعيدًا عن منطقة القطع حتى لا يتم الإمساك به أو يُعلق في العمل. لتفادي الارتداد، ادعم دائمًا اللوح أو المنصة بالقرب من القطع، (الأشكال M و O). لا تدعم اللوح أو المنصة بعيدًا عن القطع (الأشكال P و N).

عند تشغيل المنشار، أبقِ السلك بعيدًا عن منطقة القطع وجنبه من أن يعلق بقطعة العمل.

افصل المنشار دائمًا قبل إجراء أية تعديلات! ضع العمل على جانبه "الجيد" - الجانب الذي يبدو شكله أكثر أهمية - لأسفل. يقوم المنشار بالقطع إلى أعلى، لذا فأنت تشظي سيكون على مقدمة العمل الذي يتجه لأعلى عندما تنظر إليه.

التقطيع

تحذير: لا تحاول مطلقًا استخدام تلك الأداة عبر وضعها رأسًا على عقب على سطح العمل وتوجيه المادة ناحية الأداة. اربط

دائمًا قطعة العمل بإحكام ووجه الأداة ناحية قطعة العمل، وامسك الأداة بإحكام بكلتا يديك كما هو مبين في الشكل P. ضع الجزء العريض من قاعدة المنشار على جزء قطعة العمل المدعم بقوة، وليس على الجانب الذي سيسقط عند إجراء القطع. على سبيل المثال، يُظهر الشكل P الطريقة الصحيحة لقطع طرف اللوح. اربط العمل دائمًا. لا تحاول أن تمسك قطع

الشفرة، ولاحظ مقدار بروز سن الشفرة خلف المادة.

ضبط زاوية الشطب (الشكل H)

يمكن ضبط آلية ضبط زاوية الشطب (g) بين 0° و 45° .

1. أدر مقبض ضبط الشطب (f) ليرتخي.
2. أمل القاعدة إلى علامة الزاوية المطلوبة في دعامة المحور (u).
3. أدر مفتاح ضبط الشطب لإعادة ربطه.

مؤشر قطع (الشكل I)

يوجد مؤشر قطع (t) في مقدمة قرصة المنشار للقطع الرأسي والمشطوب. يمكنك هذا المؤشر من توجيه المنشار بطول خطوط القطع المعلمة بالقلم الرصاص على المادة التي تُقطع. يسطف المؤشر مع الجانب الأيسر (الداخلي) لشفرة المنشار، مما يجعل الفتحة أو قطع "الشق" بواسطة انتقال الشفرة المتحركة على عین المؤشر. تشير الحزوز على لوح القاعدة إلى 0° و 45°

تركيب وضبط الحاجز الموازي (الشكل J)

يستخدم الحاجز الموازي (w) للقطع الموازي لحافة قطعة العمل.

التركيب (الأشكال J-K)

1. أدخل مقبض ضبط الحاجز الموازي (x) في الفتحة (aa) كما هو موضح في الشكل J، مع إبقاء المقبض مرتخي حتى يسمح بمرور الحاجز الموازي.
2. أدخل الحاجز الموازي (w) في لوح القاعدة (h) كما هو موضح في الشكل J.
3. اربط مقبض ضبط الحاجز الموازي (x).

الضبط

1. قم بحل مقبض ضبط الحاجز (x) وعين الحاجز الموازي (w) على العرض المطلوب. يمكن قراءة الضبط على مقياس الحاجز الموازي.
2. اربط مقبض ضبط الحاجز (x).

قبل التشغيل

- تأكد أن الغطاءين الواقيين تم تركيبهم بصورة صحيحة. يجب أن يكون الغطاء الواقى لشفرة المنشار في الوضع المخلوق.
- تأكد أن شفرة المنشار تدور في اتجاه الأسهم الموجودة على الشفرة.
- لا تستخدم بإفراط شفرات منشار مهترنة.

الاستخدام

تعليمات الاستخدام

- تحذير: احرص دائماً على مراعاة تعليمات السلامة والقيود السارية.
- تحذير: لتقليل خطر الإصابة، أوقف تشغيل الوحدة وافصل الآلة من مصدر الطاقة قبل تركيب أو إزالة



السليم للمنشار. تحقق أن الغطاء الواقى السفلي مغلق بطريقة سليمة قبل كل استخدام. إذا كان الغطاء الواقى السفلي مفقوداً أو لا يعمل بشكل صحيح، فيجب إصلاح المنشار قبل الاستخدام. لضمان سلامة المنتج واعتماديته، فيجب أن تتم أعمال إصلاحه وصيانته وضبطه، بواسطة مراكز الخدمة المعتمدة أو فنيي الخدمة المعتمدين، وباستخدام الأجزاء البديلة المطابقة دائماً.



تحذير: لا تستخدم مطلقاً الغطاء الواقى السفلي وتتركه مفتوحاً بواسطة إضافة وتد أو خيط أو شريط مطاطي أو مواد أخرى. الاستخدام

فحص الغطاء الواقى السفلي (الشكل A)

1. أوقف الأداة وافصلها عن الكهرباء.
 2. قم بتدوير رافعة الغطاء الواقى السفلي (k) من الوضع المغلق بالكامل إلى الوضع المفتوح بالكامل.
 3. حرر الرافعة ولاحظ الغطاء الواقى السفلي (i) وهو يعود إلى الوضع المغلق بالكامل.
- يجب خدمة الإدارة من قبل مركز خدمة مؤهل إذا كانت:
- تفشل في الرجوع إلى الوضع المغلق بالكامل،
 - تتحرك بشكل متقطع أو بطيء، أو
 - تلامس الشفرة أو أي جزء من الأداة في كل الزوايا وفي عمق القطع.

شفرات



تحذير: استخدم دائماً واقى العينين، لتقليل خطر إصابة العينين. يُعتبر الكرييد مادة صلبة ولكنها سهلة التفتت. يمكن أن تسبب

الأشياء الغريبة مثل الأسلاك والمسامير في منطقة العمل في بدايات شرخ أو كسر. شغل المنشار فقط عندما يوجد الغطاء الواقى السفلي للشفرة في مكانه. ركب الشفرة بشكل آمن بتدويرها بطريقة سليمة قبل الاستخدام، واستخدم دائماً شفرة نظيفة وحادة.

إذا احتجت للمساعدة بخصوص الشفرات، يُرجى الاتصال بتاجر STANLEY المحلي لديك.

ضبط عمق القطع (الأشكال E-G)

1. ادفع رافعة ضبط العمق لأعلى (p) للإرخاء.
2. للحصول على عمق القطع الصحيح، حاذي الحز (q) الموجود على شريط ضبط العمق مع العلامة المناسبة على الغطاء الواقى العلوي للشفرة (l).
3. اربط رافعة ضبط العمق
4. من أجل عملية قطع أكثر فعالية باستخدام شفرة منشار ذات أطراف كربيدية، عين ضبط العمق حيث يبرز نصف سن الشفرة تحت سطح الخشب الذي سيُقطع.
5. توضح طريقة التحقق من عمق القطع الصحيح في الشكل G. ضع قطعة مادة أنت تخطط أن تقطعها على جانب

2. ضع حلقة الربط الخارجية (n) في محور دوران المنشار واجعل السطح المستوي العريض في مواجهة الشفرة والكتابة التي على حلقة الربط الخارجية في مواجهتك.
3. أدخل برغي ربط الشفرة (j) في محور دوران المنشار يدويًا (يتجه حز لولب البرغي الليمين ويجب تدويره في اتجاه عقارب الساعة لربطه).
4. اضغط على قفل الشفرة (c) أثناء تدوير محور دوران المنشار بواسطة مفتاح ربط الشفرة حتى يتعشق قفل الشفرة وتتوقف الشفرة عن الدوران.
5. أحكم ربط برغي ربط الشفرة بواسطة مفتاح (مفاتيح) ربط الشفرة.

ملاحظة: لا تعشق قفل الشفرة مطلقًا أثناء عمل المنشار، أو تعشيقه بهدف وقف الأداة. لا تشغل المنشار مطلقًا بينما يكون قفل الشفرة معشوقًا. فسوف يحدث ضرر جسيم لمنشارك.

لاستبدال الشفرة (الأشكال B-D)

1. لإرخاء ربط برغي ربط الشفرة (j)، اضغط على قفل الشفرة (c) وقم بتدوير محور دوران المنشار بواسطة مفتاح ربط الشفرة (s) حتى يتعشق قفل الشفرة وتتوقف الشفرة عن الدوران. مع تعشيق قفل الشفرة، قم بتدوير برغي ربط الشفرة عكس اتجاه عقارب الساعة بواسطة مفتاح ربط الشفرة (يتجه حز لولب البرغي الليمين ويجب تدويره عكس اتجاه عقارب الساعة لفتكه).
2. أزل برغي ربط الشفرة (j) وحلقة الربط الخارجية (n). أزل الشفرة.
3. نظف أي غبار نشر قد يكون متراكمًا في الغطاء الواقي أو في منطقة حلقة الربط وتحقق من حالة وعمل الغطاء الواقي السفلي للشفرة كما أخص ذلك مسبقًا. لا تقم بتشحيم تلك المنطقة.
4. استخدم دائمًا شفرات ذات مقاس صحيح (قطر) مع فتحة مركزية ذات مقاس وشكل مناسبين لتركيب الشفرة على محور الدوران. تأكد دائمًا أن السرعة القصوى الموصى بها (لفة في الدقيقة) للشفرة المنشار تساوي أو تتعدى سرعة (لفة في الدقيقة) المنشار.
5. اتبع الخطوات من 1 إلى 5 أدناه لتثبيت الشفرة، وتأكد أن الشفرة سوف تدور في الاتجاه الصحيح.

غطاء واقي سفلي للشفرة

تحذير: يعتبر الغطاء الواقي السفلي للشفرة خاصية للسلامة حيث يقلل من خطر الإصابة الشخصية الجسدية. لا تستخدم المنشار مطلقًا إذا كان الغطاء الواقي السفلي مفقودًا أو تالفًا أو مجمع بطريقة سيئة أو لا يعمل بشكل سليم. لا تعتمد على أن الغطاء الواقي السفلي للشفرة يحيمك في جميع الأحوال. تعتمد سلامتك على اتباع التحذيرات والاحتياطات إضافة إلى التشغيل

- قناع غبار واستخدم جهاز استخلاص غبار عندما يمكن ربطه.
- تُصنف بعض أنواع الغبار كمسببات للسرطان (مثل غبار البلوط والوزان) خاصة عندما تقترن مع إضافات لتكثيف الخشب؛ ارتدِ قناع غبار واستخدم جهاز استخلاص غبار عندما يمكن ربطه.
 - اتبع المتطلبات الوطنية المتعلقة بالغبار فيما يخص المواد التي تريد أن تعمل بها.
 - لا تثبت الأداة في منجلة.
 - استخدم أسلاك إطالة ممدودة وأمنة بالكامل بقدرة 16 أمبير.

بعد الاستخدام

- بعد إيقاف تشغيل الأداة، لا توقف دوران الملقح مطلقًا بقوة جانبية تستخدمها ضدها.

التجميع والضبط



تحذير: للحد من مخاطر الإصابة الجسدية الخطيرة، أوقف تشغيل الأداة وافصل الأداة من مصدر الطاقة قبل إجراء أي تعديلات أو إزالة/تركيب الملحقات أو الكماليات. قبل إعادة توصيل الأداة، اضغط وحرر مفتاح التشغيل للتأكد من أن الأداة متوقفة بالفعل. حيث إن بدء التشغيل العرضي قد يؤدي إلى حدوث إصابة.

تغيير الشفرات



تحذير: يبلغ قطر الشفاه الداخلية من إحدى الجانبين 20 ملم ومن الجانب الآخر 30 ملم. يوضع على الجانب الذي يبلغ 30 ملم علامة "30"، والجانب الآخر الذي يبلغ 20 ملم علامة "20". استخدم الجانب الصحيح لقطر فتحة الشفرة التي تنوي استخدامها. ربما يتسبب تركيب الشفرة على الجانب الخاطئ في اهتزاز خطير.

لتثبيت الشفرة (الأشكال A-D)

1. باستخدام رافعة الغطاء الواقي السفلي (k)، اسحب الغطاء الواقي السفلي للشفرة (i) وضع الشفرة في عمود دوران المنشار في مواجهة حلقات الربط الداخلية (o)، وتأكد أن الشفرة ستدور في الاتجاه الصحيح (يجب أن يشير اتجاه دوران السهم على شفرة المنشار والأسنان إلى نفس الاتجاه الذي يشير إليه دوران السهم على المنشار). لا تفترض أن الطباعة الموجودة على الشفرة سوف تكون مقابلتك دائمًا عند تثبيتها بشكل صحيح. عند سحب الغطاء الواقي السفلي للشفرة لتركيب الشفرة، تحقق من حالة وعمل الواقي السفلي للشفرة للتأكد أنه يعمل بشكل صحيح. تأكد أنه يتحرك بحرية ولا يلامس الشفرة أو أي جزء آخر، في جميع الزوايا وفي عمق القطع.

تتعرض الأداة للتلف أو تتسبب في وقوع إصابة جسيدي.

- مفتاح التشغيل
- المقبض الرئيسي
- قفل الشفرة
- سدادة طرفية
- مقبض مساعد
- مقبض ضبط الشطب
- آلية ضبط زاوية الشطب
- لوح القاعدة
- غطاء واقي سفلي للشفرة
- برغي ربط الشفرة
- رافعة الغطاء الواقي السفلي
- واق شفرة علوي



تحذير: صُممت هذه المناشير الدوّارة ذات العمل الشاق لتطبيقات قطع الأخشاب الاحترافية. لا تستخدم مرفقات تغذية مياه مع هذا المنشار. لا تستخدم أقراص أو شفرات جليخ. لا تستخدم الأداة في ظروف رطبة أو مع وجود سوائل أو غازات قابلة للاشتعال. لا تستخدم أقراص ماسية.

تُعد المناشير العمل الشاق هذه كأدوات كهربائية احترافية. لا تسمح للأطفال بلامسة هذه الأداة. تتطلب الرقابة عند استخدام مشغليين ليس ذوي خبرة لهذه الأداة.

- هذا المنتج غير مخصص للاستخدام من قبل الأشخاص (بما فيهم الأطفال) الذين يعانون من تقلص في القدرات الجسدية والحسية والعقلية؛ كذلك قلة الخبرة أو المعرفة أو المهارات ما لم يشرف عليهم شخص مسؤول. لا يجب ترك الأطفال بمفردهم مع هذا المنتج.

قبل الاستخدام

- قبل استخدام الأداة لأول مرة، يُنصح بالحصول على معلومات عملية.
- تحقق دائماً أن جهد التيار هو نفس الجهد المشار إليه على بطاقة اسم الأداة.
- استخدم كاشفات مناسبة للعثور على خطوط مرافق خفية أو اتصل بشركة المرافق المحلية للمساعدة (قد يؤدي لامسة خطوط الكهرباء إلى نشوب حريق أو صدمة كهربائية؛ وربما يتسبب تلف خط الغاز في حدوث انفجار؛ وسوف يتسبب ثقب خط الماء في تلف الممتلكات أو صدمة كهربائية).
- لا تعمل على مواد تحتوي على أسهست (يعتبر الأسهست مسبب السرطان).
- ربما يكون الغبار الناتج عن المواد مثل الطلاء المحتوي على رصاص وبعض أنواع الخشب والمعادن والفلزات ضاراً (فقد يتسبب التلامس مع الغبار أو استنشاقه في ردود فعل تحسسية و/أو أمراض تنفسية للمشغل أو الحاضرين)؛ ارتد

يجب قراءة دليل التعليمات قبل الاستخدام. تحذير! لتقليل خطر الإصابة، يجب على المستخدم قراءة دليل التعليمات قبل الاستخدام			
نظارات حماية أو أمان.			
واقي الأذن.			
ارتد قناع غبار.			
V	فولت	===	تيار مباشر
A	أمبير	n_0	سرعة بدون تحميل
Hz	هرتز		تصميم من الفئة الثانية
W	وات		طرف أرضي
min	دقائق		رمز تبيه الأمان
\sim	تيار متردد	/min.	عدد الدورات أو الترددات في الدقيقة

موضع رمز التاريخ

يوجد كود التاريخ، والذي يحتوي على سنة الصنع، مطبوعاً على العلبة.

مثال:

XX JN 2017

سنة الصنع

تحتوي العبوة على

- 1 منشار دوّار
 - 1 شفرة منشار دائرية
 - 1 مفتاح ربط شفرة
 - 1 حاجز مواز
 - 1 دليل تعليمات
- تحقق من أي تلف قد يحدث في الأداة أو أجزائها أو الملحقات أثناء النقل.
 - استغرق الوقت الكافي لقراءة وفهم هذا الدليل بالكامل قبل الاستخدام.

الخصائص (الشكل A)

تحذير: يحظر تعديل الأداة الكهربائية أو أي جزء منها. فقد

مساحة المقطع العرضي للكابل (ملم ²) التيار المقنن للكابل (أمبير)	مساحة المقطع العرضي للكابل (ملم ²) التيار المقنن للكابل (أمبير)
6	0.75
10	1.00
15	1.50
20	2.50
25	4.00

طول الكابل (م)					
60	45	30	25	15	7.5

تيار الكابل المقنن (بالأمبير)						أمبير	الجهد الكهربائي
10	6	6	6	6	6	0 - 2.0	110-127
15	15	6	6	6	6	2.1 - 3.4	
20	20	15	10	6	6	3.5 - 5.0	
25	20	20	15	10	10	5.1 - 7.0	
-	25	25	20	15	15	7.1 - 12.0	
-	-	-	25	20	20	12.1 - 20.0	
6	6	6	6	6	6	0 - 2.0	220-240
6	6	6	6	6	6	2.1 - 3.4	
15	10	6	6	6	6	3.5 - 5.0	
15	15	10	10	10	10	5.1 - 7.0	
20	20	15	15	15	15	7.1 - 12.0	
-	25	20	20	20	20	12.1 - 20.0	

الملصقات الموجودة على الأداة

يمكن أن يحتوي الملصق الموجود على الأداة على الرموز التالية:

أو في مقابل جسمك يجعلها غير مستقرة ويمكن أن يؤدي إلى فقدان التحكم بها.

• لا تستخدم هذا المنشار كمنشار طاوله. تعليمات الأمان الإضافية

تحذير: نحن ننصح باستخدام أداة تعمل بالتيار المتبقي مع معدل التيار المتبقي لـ 30 ملي أمبير أو أقل.



سلامة الآخرين

• هذا الجهاز غير مصمم ليستخدمه الأشخاص ذوو القدرات الجسدية والحسية والعقلية المتدنية أو من تنقصهم الخبرة والمعرفة (بما في ذلك الأطفال) إلا في ظل الإشراف عليهم أو إعطائهم التعليمات المتعلقة باستخدام الجهاز من قبل الشخص المسؤول عن سلامتهم.

• ينبغي مراقبة الأطفال لضمان عدم عبثهم بالجهاز.

المخاطر المتبقية

على الرغم من سريان تعليمات السلامة وتطبيق تجهيزات السلامة فهناك بعض المخاطر الأخرى التي لا يمكن تجنب وقوعها. وهي:

- تضرر السمع
- خطر التعرض لإصابات جسدية جراء الجزينات المتطايرة.
- خطر التعرض لحروق جراء الملحقات التي تسخن أثناء التشغيل.
- خطر التعرض لإصابات جسدية جراء الاستخدام لفترات طويلة.
- خطر التعرض لغير المواد الخطرة.

السلامة من مخاطر الكهرباء

الأداة الخاصة بك مزدوجة العزل؛ وبالتالي لا حاجة إلى توصيل سلك أرضي. تحقق دائماً من توافق جهد مصدر التيار الكهربائي مع الجهد الموضح على لوحة التقنين.



تحذير! في حالة تلف سلك الطاقة، يجب استبداله من قبل مُصنِع الجهاز، أو مركز خدمة معتمد لدى شركة STANLEY، أو أي فني مؤهل على نفس المستوى لتجنب أي تلف أو إصابة. في حالة استبدال سلك الطاقة بواسطة فني مؤهل على نفس المستوى، ولكنه غير معتمد لدى شركة STANLEY، فسوف تسقط صلاحية الضمان.



استخدام سلك إطالة

إذا احتجت إلى سلك تمديد، فاستخدم سلك تمديد ثلاثي القلوب معتمداً يتناسب مع دخل الطاقة لهذه الأداة (راجع البيانات الفنية). الحد الأدنى لحجم الموصل 1.5 ملم²؛ والحد الأقصى لطول 30 م. عند استخدام بكرة كابل، إبسط الكابل بالكامل.

أثناء القطع، فرمًا يحدث تكبير أو ارتداد. g. توخي مزيداً الحرس عند القيام بـ "قطع غائر" في الجدران القائمة أو المناطق العمياء الأخرى. يمكن أن تسبب الشفرة البارزة في قطع الأشياء في حدوث الارتداد.

تعليمات السلامة الخاصة بالغطاء الواقي السفلي.

a. تحقق أن الغطاء الواقي السفلي مغلق بطريقة سليمة قبل كل استخدام. لا تشغل المنشار إذا كان الغطاء الواقي السفلي لا يتحرك بحرية أو يغلق على الفور. لا تشبك أو تربط الغطاء الواقي السفلي على الوضع المفتوح. إذا سقط المنشار سهوًا، فرمًا يحدث التواء في الغطاء الواقي السفلي. ارفع الغطاء الواقي السفلي بواسطة مقبض السحب وتأكد أنه يتحرك بحرية ولا يلامس الشفرة أو أي جزء آخر، في جميع الزوايا وفي عمق القطع.

b. افحص تشغيل زنبرك الغطاء الواقي السفلي. إذا لم يكن يعمل كل من الغطاء الواقي والزنبرك بشكل سليم، فيجب أن يتم إصلاحهما قبل الاستخدام. يمكن أن يعمل الغطاء الواقي السفلي ببطء بسبب وجود أجزاء تالفة أو رواسب صمغية أو تراكم المخلفات.

c. يجب سحب الغطاء الواقي السفلي يدويًا فقط في حالات القطع الخاصة مثل "القطع الغائر" و"القطع المركب". ارفع الغطاء الواقي السفلي بواسطة مقبض السحب حال دخول الشفرة في الخامة، ويجب تحرير الغطاء الواقي السفلي. لعلميات النشر الأخرى، ينبغي أن يعمل الغطاء الواقي السفلي أوتوماتيكيًا.

d. تحقق دائماً أن الغطاء الواقي السفلي يغطي الشفرة قبل وضع المنشار على الطاولة أو على الأرض. سوف تسبب الشفرة المنزلقة الغير محمية في سير المنشار للوراء، قطعاً أي شيء في مساره. انتبه إلى الوقت الذي تستغرقه الشفرة حتى تتوقف بعد تحرير زر التشغيل.

تعليمات سلامة إضافية للمناشير الدوّارة

- ارتد واقبات الأذن. إن التعرض للضجيج يمكن أن يتسبب في فقدان السمع.
- ارتد قناع غبار. قد يؤدي التعرض لجزيئات الغبار إلى صعوبة في التنفس وجروح محتملة.
- لا تستخدم شفرات ذات قطر أكبر أو أصغر من الموصى بها. ارجع إلى البيانات التقنية لمعرفة تصنيف الشفرة المناسبة. استخدم الشفرات المحددة في الدليل فقط، والمتوافقة مع EN 847-1.
- لا تستخدم مطلقاً أقراص جليخ وأقراص ماسية. لا تقطع خرسانة أو طوب أو صلب أو مواد صلبة أخرى.
- لا تستخدم مرفقات تغذية مياه.
- استخدم المشابك أو أي طريقة عملية أخرى لتأمين وتدعيم أداة العمل على منصة ثابتة. إن حمل قطعة الشغل يدويًا

لمشارك، من أجل الأداء الأمثل وسلامة التشغيل. تعليمات سلامة إضافية تعليمات سلامة إضافية لكل المناشير أسباب الارتداد والتحذيرات ذات الصلة

-- الارتداد هو رد فعل مفاجئ ناتج عن شفرة منشار محشورة أو مكبلية أو منحرفة، يؤدي إلى ارتفاع المنشار الغير متحكم فيه لأعلى وبعيداً عن قطعة العمل باتجاه المشغل؛ -- عندما تنحسر أو تكبل الشفرة في الشق، تتوقف الشفرة فجأةً ويسبب رد فعل المحرك اندفاع الجهاز بسرعة نحو المشغل؛

-- إذا التويبت الشفرة أو انحرفت أثناء القطع، فيمكن أن تتعمق أسنان الحافة الخلفية للشفرة في السطح العلوي للخشب مسببة ارتفاع الشفرة عن الشق والقفز للوراء تجاه المشغل.

الارتداد هو نتيجة لسوء استعمال المنشار و/أو عمليات التشغيل غير الصحيحة أو الظروف غير المواتية ويمكن تجنبها عبر اتباع الاحتياطات المناسبة على النحو المبين أدناه:

- a. احتفظ بيديك قابضتين بحزم على المنشار و ثبت ذراعيك لمقاومة قوة الارتداد. ثبت جسمك على أحد جانبي الشفرة، وليس في مواجهة الشفرة. يمكن أن يتسبب الارتداد في قفز المنشار إلى الخلف، ولكن يمكن للمشغل التحكم في قوة الارتداد، إذا اتخذ الاحتياطات المناسبة.
- b. في حالة تكبير العجلة أو توقف القطع لأي سبب من الأسباب، فحصر الزناد و اترك المنشار بلا حركة في خامة العمل حتى تتوقف الشفرة تمامًا عن الحركة. لا تحاول مطلقاً إزالة المنشار من منطقة العمل أو سحبه للخلف أثناء حركة الشفرة حتى لا يحدث ارتداد. قم بالبحث واتخاذ الإجراءات التصحيحية للقضاء على أسباب تكبير الشفرة.

- c. عند إعادة تشغيل المنشار في قطعة العمل، ضع شفرة المنشار في منتصف الشق وتحقق من أن أسنان المنشار ليست مقيدة في خامة العمل. إذا كانت الشفرة مكبلية، فيمكن أن تنجح لأعلى أو ترتد عن قطعة العمل عند إعادة تشغيل المنشار.
- d. دعم العمل بالأواح كبيرة وذلك لتقليل خطر تكبير الشفرة أو ارتدادها. تميل الألواح الكبيرة للارتخاء بسبب تأثير وزنها. ينبغي وضع ألواح التدعيم تحت جانبي القاعدة، بالقرب من خط القطع وبالقرب من حافة القاعدة.
- e. لا تستخدم شفرة تالفة أو ثائلة. تُحدث الشفرات غير الحادة والغير ملائمة شقوقاً ضيقة مما يسبب احتكاكاً مفرطاً وتكبيلاً للشفرة وارتداداً.
- f. يجب أن يكون مقبضاً قفل ضبط العمق والشطب للشفرة محكماً الغلق ومأمّنين قبل القطع. إذا تغير ضبط الشفرة

- يمكن أن يتسبب في التعرض لمواقف خطيرة.
- h. حافظ على جفاف المقابض والأسطح القابضة ونظافتها وخلوها من الزيت والشحم. فالمقابض والأسطح القابضة المنزلقة لا تسمح بالتعامل مع الأداة والتحكم فيها بأمان في المواقف غير المتوقعة.
5. الخدمة
- a. احرص على أن يقوم فني متخصص بإصلاح الأداة الكهربائية الخاصة بك وباستخدام قطع الغيار المتطابقة فقط. وذلك يضمن سلامة صيانة الأداة الكهربائية.
- باذاتناك في كل الأوقات. حيث يتيح ذلك إمكانية تحكم أفضل في الأداة الكهربائية في المواقف غير المتوقعة.
- f. ارتدِ زيًا مناسبًا. لا ترتدِ الملابس الفضفاضة أو الحلي. احرص على إبعاد شعرك وملابسك عن الأجزاء المتحركة. فقد تعلق الملابس الفضفاضة أو الحلي أو الشعر الطويل في الأجزاء المتحركة.
- g. إذا كانت الأجهزة معدة للتوصيل بوسائل إزالة أو تجميع الأتربة، فتأكد من توصيلها واستخدامها بشكل مناسب. استخدام هذه الأجهزة يمكن أن يقلل من المخاطر المتعلقة بالغبار.

قواعد سلامة إضافية خاصة

- h. لا تسمح لاعتيادك على استخدام الأدوات بشكل متكرر أن يبعث داخلك اطمئنانًا قد يدفعك إلى تجاهل مبادئ سلامة العاصة بالأداة. فأنت تصرف طائش يمكن أن يتسبب في وقوع إصابات خطيرة في لمح البصر.
4. استخدام الأداة الكهربائية والعناية بها
- a. لا تضغط على الأداة الكهربائية. استخدم الأداة الكهربائية المناسبة لاستعمالك. حيث أن الأداة الكهربائية المناسبة سوف تقوم بأداء العمل بشكل أفضل وأكثر أمانًا وفعلاً للمعدل التي صُممت لأجله.
- b. لا تستخدم الأداة الكهربائية إذا لم يقم المفتاح بالتشغيل والإيقاف. أية أداة كهربائية لا يمكن التحكم فيها باستخدام المفتاح تصبح خطرة ويجب إصلاحها.
- c. افضل القابض عن مصدر الكهرباء و/أو أخرج حزمة البطارية، إن كانت قابلة للإزالة، من الأداة الكهربائية قبل إجراء أي تعديلات أو تغيير أي ملحقات أو تخزين الأدوات الكهربائية. تعمل إجراءات السلامة الوقائية هذه على الحد من خطر بدء تشغيل الأداة الكهربائية بدون قصد.
- d. خزن الأدوات الكهربائية غير المستخدمة بعيدًا عن متناول الأطفال ولا تسمح للأشخاص الغير معتمدين على الأداة الكهربائية أو هذه التعليمات بتشغيل الأداة الكهربائية. تمثل الأدوات الكهربائية خطرًا في أيدي المستخدمين غير المتدربين.
- e. هـ. صيانة الأدوات الكهربائية والملحقات. تحقق من وجود أي محاذرة خائنة أو عائق في الأجزاء المتحركة، أو كسر في الأجزاء، وأية حالة أخرى يمكن أن تؤثر على تشغيل الأدوات الكهربائية. في حالة تلفها، يتم إصلاح الأداة الكهربائية قبل استخدامها. تتع العديد من الحوادث جراء صيانة الأدوات الكهربائية بشكل سيء.
- f. احرص على أن تظل أدوات القطع حادة ونظيفة. تعمل الصيانة المناسبة للأدوات القطع ذات الحواف الحادة على تقليل احتمالية أن تلثم ويمكن التحكم فيها بشكل أسهل.
- g. استخدم الأداة الكهربائية والكماليات ولقم الأداة وما إلى ذلك بما يتوافق مع هذه التعليمات، مع الوضع في الاعتبار ظروف العمل والعمل الذي يتعين القيام به. استخدام الأداة الكهربائية لتنفيذ العمليات في الأغراض غير المخصصة
- a. خطر! ابق يديك بعيدًا عن منطقة القطع والشفرة. ابق يدك الأخرى على المقبض الإضافي، أو على مبيت المحرك. إذا كانت كلتا اليدين تمسكان بالمنشار، فلا يوجد إمكانية لجرهما من قبل الشفرة. ملاحظة: بخصوص المناشير الدوارة ذات شفرات يصل قطرها الأقصى إلى 140 ملم أو أقل، لا يُطبق عليها هذه الجملة «ابق يدك الأخرى على المقبض الإضافي، أو على مبيت المحرك».
- b. لا تصل إلى أسفل قطعة العمل. لا يتمكن الغطاء الواقي من حمايتك من الشفرة أسفل قطعة العمل.
- c. اضبط عمق القطع حسب سمك قطعة العمل. يجب أن يكون مرئيًا تحت قطعة العمل.
- d. لا تمسك بالقطعة في يديك أو بين ساقيك أثناء قطعها مطلقًا. أمّن قطعة العمل على منصة ثابتة. من المهم إسناد العمل بصورة صحيحة لتقليل تعرض الجسم للمخاطر وتكبير الشفرة وفقدان التحكم.
- e. امسك الأداة الكهربائية باستخدام أسطح إمساك معزولة عند إجراء عملية حيث يمكن أن ينشأ فيه تلامس بين أداة التقطيع وبين الأسلاك المخفية. يؤدي ملامسة سلك "حي" إلى جعل الأجزاء المعدنية للأداة "طرف حي" مما يعرض المشغل لصدمة كهربائية.
- f. عند القطع، استخدم دائمًا دليل المشغولات أو مسطرة تقويم. فهذا يحسن من دقة القطع ويقلل من فرص تكبير الشفرة.
- g. استخدم دائمًا الشفرات ذات الحجم والشكل الصحيحين (علي هيئة مُعيّن وليس شكلاً مستديرًا) لفتحات الإدخال. سوف تنحرف الشفرات التي لا تتطابق مع المعدات المركبة في المنشار عن مركزها، مسببة فقدان التحكم.
- h. لا تستخدم مطلقًا حلقات شفرات أو براغي تالفة أو غير مناسبة. لقد صُممت حلقات الشفرات والبراغي خصيصًا

صُمم المنتشار الدوّار SC16 من STANLEY الخاص بك لتطبيقات قطع الخشب. هذا الجهاز مُعد للاستخدام المحترف.

تعليمات السلامة

التعريفات الموضحة أدناه تبين مستوى القسوة لكل إشارة مكتوبة. يرجى قراءة الدليل مع مراعاة هذه الرموز.

خطر: يشير إلى موقف خطر وشيك سوف تنتج عنه الوفاة أو إصابات خطيرة في حال عدم تجنبه.



تحذير: يشير إلى موقف خطر محتمل من الممكن أن تنتج عنه الوفاة أو إصابات خطيرة في حال عدم تجنبه.



تحذير: يشير إلى موقف خطر محتمل ربما تنتج عنه الوفاة أو إصابات خطيرة في حال عدم تجنبه.



ملاحظة: يشير إلى ممارسة لا تتطوي على إلحاق إصابات جسدية للمشغل، ولكن يمكن أن ينتج عنه تلف الممتلكات إن لم يتم تجنبه.

يشير إلى خطر التعرض لصدمة كهربائية.



يشير إلى خطر نشوب حريق.



تحذير: لتجنب خطر التعرض للإصابات، تجب قراءة دليل التعليمات.



تحذيرات عامة متعلقة بسلامة أداة الطاقة الكهربائية

تحذير! احرص على قراءة كل تحذيرات السلامة والتعليمات والرسوم التوضيحية ذات الصلة والمواصفات المرفقة مع ٥.



احتفظ بكل التحذيرات والتعليمات كمرجع مستقبلي

مصطلح «الأداة الكهربائية» الوارد في كل التحذيرات المدرجة أدناه يشير إلى الأداة الكهربائية المشغلة بواسطة التيار الكهربائي (بكابيل) أو المشغلة ببطارية (بدون كابيل).

1. سلامة منطقة العمل

a. حافظ على منطقة العمل نظيفة ومضاءة جيداً. فالمناطق غير المرتبة أو المظلمة عرضة لوقوع حوادث.

b. لا تشغل الأدوات الكهربائية في أجواء قابلة للانفجار، مثل

وجود سوائل أو غازات أو غبار قابلة للاشتعال. تطلق الأدوات الكهربائية شرراً يمكن أن يشعل الغبار أو الأدخنة.

c. احرص على إبعاد الأطفال والمتواجدين في منطقة العمل عند تشغيل الأداة الكهربائية. مصادر صرف الانتباه يمكن أن تجعلك تفقد القدرة على التحكم.

2. السلامة من مخاطر الكهرباء

a. يلزم توافق قوابس الأداة الكهربائية مع مقبس التيار الكهربائي. يُحظر تعديل القابس بأي طريقة. لا تستخدم

قوابس مهايئ مع الأدوات الكهربائية المتصلة بالأرضي (مؤرضة). عدم تعديل القابس واستخدام مخارج تيار مناسبة يحد من مخاطر الصدمات الكهربائية.

b. تجنب ملامسة الجسم مع أسطح مؤرضة أو أرضية، مثل

المواسير والمدافئ والأفران والمبردات. يزداد خطر التعرض لصدمة كهربائية إذا كان جسمك في وضع تأريض أو أرضي.

c. لا تعرض الأدوات الكهربائية للمطر أو لظروف رطبة. سوف يؤدي تسرب الماء إلى داخل الأداة الكهربائية إلى زيادة مخاطر التعرض للصدمات الكهربائية.

d. لا تسئ استخدام السلك. لا تستخدم السلك مطلقاً في حمل أو سحب الأداة الكهربائية أو فصلها من المقبس. ابق السلك بعيداً عن الحرارة والزيت والحواف الحادة والأجزاء المتحركة. تزيد الأسلاك التالفة أو المتشابكة من مخاطر التعرض للصدمات الكهربائية.

e. عند تشغيل الأداة الكهربائية في الخارج، استخدم سلك إطالة مناسباً للاستخدام الخارجي. استخدام سلك مناسب لأغراض الاستخدام الخارجي يقلل من مخاطر التعرض للصدمات الكهربائية.

f. إذا لم يكن هناك مفر من تشغيل الأداة الكهربائية في منطقة رطبة، فاستخدم شبكة تغذية محمية بقاطع تفاضلي (RCD). استخدام قاطع الدائرة يقلل من مخاطر التعرض للصدمات الكهربائية.

3. السلامة الشخصية

a. كن متيقظاً، وراقب ما تفعل واستخدم حسك العام عند تشغيل الأداة الكهربائية. لا تستخدم الأداة الكهربائية عندما تكون مجهداً أو تحت تأثير المخدرات أو الكحوليات أو الأدوية. في حالة عدم الانتباه عند تشغيل الأداة الكهربائية يمكن أن تتسبب في وقوع إصابات شخصية بالغة.

b. استخدم معدات الحماية الشخصية. احرص دائماً على ارتداء واقي العينين. سوف تعمل معدات الحماية، مثل قناع الغبار وأحذية السلامة المقاومة للانزلاق والخوذة الصلبة وواقي الأذن المستخدمة في ظروف مناسبة على تقليل معدل الإصابات الشخصية.

c. تجنب بدء العمل بدون قصد. تحقق من أن المفتاح في وضع الإيقاف قبل التوصيل بمصدر الكهرباء و/أو علبه البطارية أو قبل التقاط أو حمل الأداة. إن حمل الأدوات الكهربائية وإصبعك على مفتاح التشغيل أو بينما توجد الأدوات في وضع التشغيل من شأنه أن يستدعي وقوع حوادث.

d. تخلص من أية مفاتيح ضبط أو ربط قبل تشغيل الأداة الكهربائية. يمكن أن يتسبب أي مفتاح ربط أو ضبط موصل بالجزء الدوار من الأداة الكهربائية في وقوع إصابات شخصية.

e. تجنب المبالغة. ضع قدميك في وضع مناسب واحتفظ

