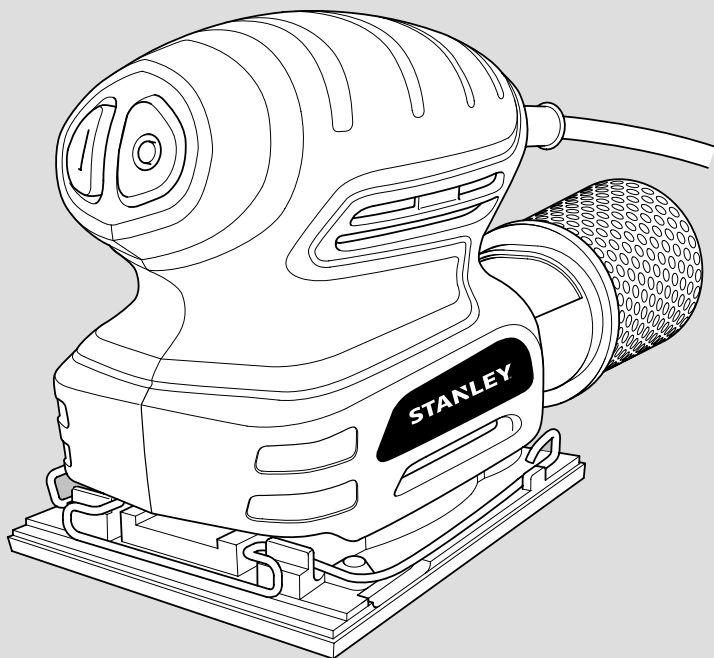


# STANLEY



**STSS025**

English(Original)	Page	3
Russian	Page	9
Ukrainian	Page	16

FIG. A

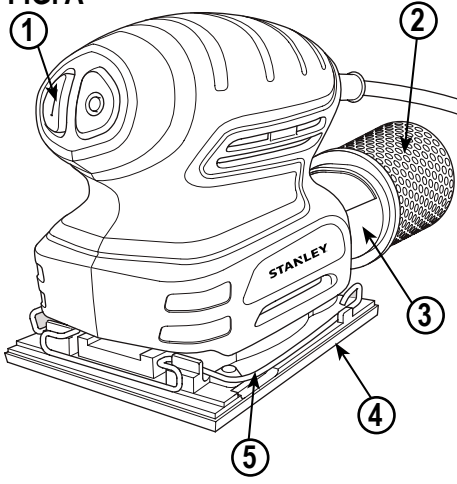


FIG. B

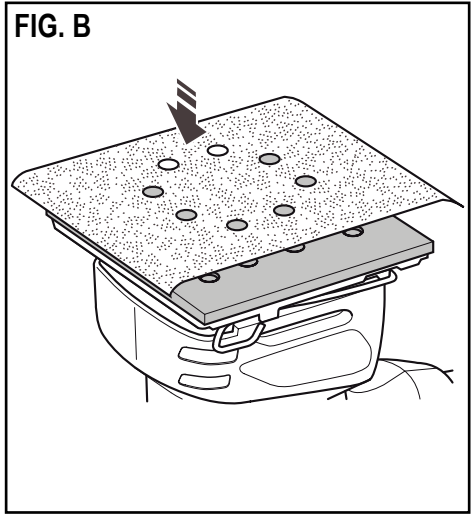


FIG. C

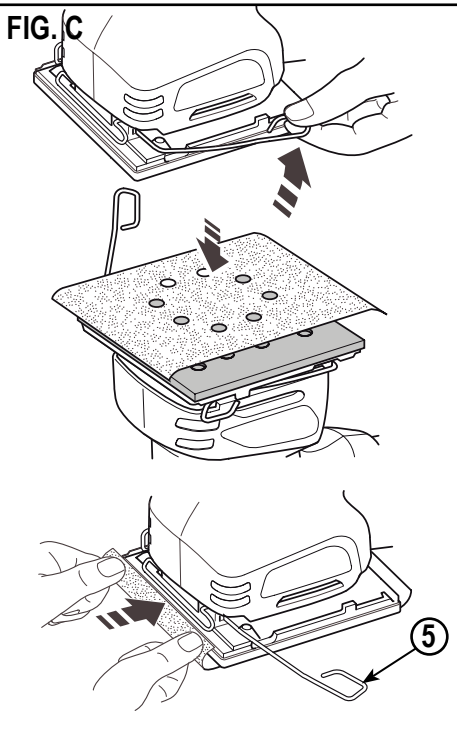


FIG. D

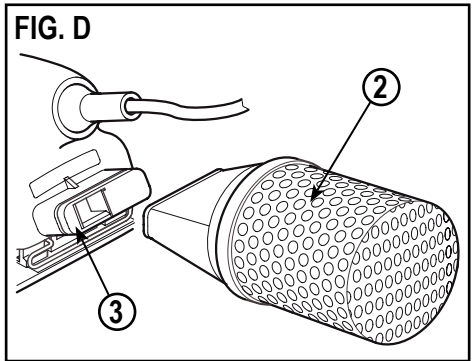
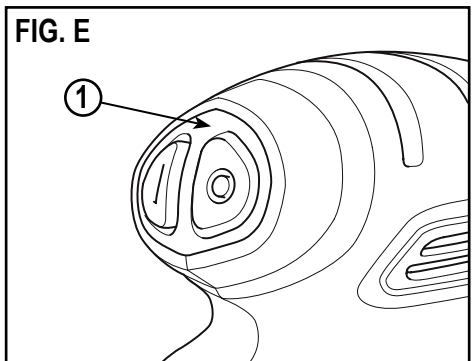


FIG. E



## Technical Data

Specifications	STSS025
Power	220W
Voltage	220-240V
Frequency	50/60Hz
Orbits per minute	16000/min

## Intended Use

Your STANLEY sander has been designed for sanding wood, metal, plastics and painted surfaces.

**DO NOT RETURN THIS PRODUCT TO THE STORE,**  
first contact your local STANLEY Office  
or nearest authorized service center.

## General Safety Rules



**Warning!** Read and understand all instructions. Failure to follow all instructions listed below, may result in electric shock, fire and/or serious personal injury.

## SAVE THESE INSTRUCTIONS

### Safety instructions

#### General power tool safety warnings



**Warning!** Read all safety warnings and all instructions. Failure to follow the warnings and instructions listed below may result in electric shock, fire and/or serious injury.

#### Save all warnings and instructions for future reference.

The term "power tool" in all of the warnings listed below refers to your mains operated (corded) power tool or battery operated (cordless) power tool.

#### 1. Work area safety

- Keep work area clean and well lit.** Cluttered or dark areas invite accidents.
- Do not operate power tools in explosive atmospheres, such as in the presence of flammable liquids, gases or dust.** Power tools create sparks which may ignite the dust or fumes.
- Keep children and bystanders away while operating a power tool.** Distractions can cause you to lose control.

#### 2. Electrical safety

- Power tool plugs must match the outlet. Never modify the plug in any way. Do not use any adapter plugs with earthed (grounded) power tools.** Unmodified plugs and matching outlets will reduce risk

of electric shock.

- Avoid body contact with earthed or grounded surfaces such as pipes, radiators, ranges and refrigerators.** There is an increased risk of electric shock if your body is earthed or grounded.
- Do not expose power tools to rain or wet conditions.** Water entering a power tool will increase the risk of electric shock.
- Do not abuse the cord. Never use the cord for carrying, pulling or unplugging the power tool. Keep cord away from heat, oil, sharp edges or moving parts.** Damaged or entangled cords increase the risk of electric shock.
- When operating a power tool outdoors, use an extension cord suitable for outdoor use.** Use of a cord suitable for outdoor use reduces the risk of electric shock.
- If operating a power tool in a damp location is unavoidable, use a residual current device (RCD) protected supply.** Use of an RCD reduces the risk of electric shock. Note: The term "Residual Current Device (RCD)" can be replaced by "Ground Fault Circuit Interrupter (GFCI)" or by "Earth Leakage Circuit Breaker (ELCB)".

#### 3. Personal safety

- Stay alert, watch what you are doing and use common sense when operating a power tool. Do not use a power tool while you are tired or under the influence of drugs, alcohol or medication.** A moment of inattention while operating power tools may result in serious personal injury.
- Use personal protective equipment. Always wear eye protection.** Protective equipment such as dust mask, non-skid safety shoes, hard hat, or hearing protection used for appropriate conditions will reduce personal injuries.
- Prevent unintentional starting. Ensure the switch is in the off-position before connecting to power source and/or battery pack, picking up or carrying the tool.** Carrying power tools with your finger on the switch or energising power tools that have the switch on invites accidents.
- Remove any adjusting key or wrench before turning the power tool on.** A wrench or a key left attached to a rotating part of the power tool may result in personal injury.
- Do not overreach. Keep proper footing and balance at all times.** This enables better control of the power tool in unexpected situations.
- Dress properly. Do not wear loose clothing or jewellery. Keep your hair, clothing and gloves away from moving parts.** Loose clothes, jewellery or long hair can be caught in moving parts.

**g. If devices are provided for the connection of dust extraction and collection facilities, ensure these are connected and properly used.** Use of dust collection can reduce dust-related hazards.

#### 4. Power tool use and care

**a. Do not force the power tool. Use the correct power tool for your application.** The correct power tool will do the job better and safer at the rate for which it was designed.

**b. Do not use the power tool if the switch does not turn it on and off.** Any power tool that cannot be controlled with the switch is dangerous and must be repaired.

**c. Disconnect the plug from the power source and/or the battery pack from the power tool before making any adjustments, changing accessories, or storing power tools.** Such preventive safety measures reduce the risk of starting the power tool accidentally.

**d. Store idle power tools out of the reach of children and do not allow persons unfamiliar with the power tool or these instructions to operate the power tool.** Power tools are dangerous in the hands of untrained users.

**e. Maintain power tools. Check for misalignment or binding of moving parts, breakage of parts and any other condition that may affect the power tools operation. If damaged, have the power tool repaired before use.** Many accidents are caused by poorly maintained power tools.

**f. Keep cutting tools sharp and clean.** Properly maintained cutting tools with sharp cutting edges are less likely to bind and are easier to control.

#### 5. Service

**a. Have your power tool serviced by a qualified repair person using only identical replacement parts.** This will ensure that the safety of the power tool is maintained.

## Additional Power Tool Safety Warnings

- **Hold the power tool by insulated gripping surfaces, because the sanding belt / sanding base may contact its own cord.** Cutting a "live" wire may make exposed metal parts of the power tool "live" and shock the operator.
- **Use clamps or another practical way to secure and support the work piece to a stable platform.** Holding the work by hand or against your body leaves it unstable and may lead to loss of control.


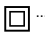




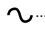


**Warning!** Contact with or inhalation of dust arising from sanding applications may endanger the health of the operator and possible bystanders. Wear a dust mask specifically designed for protection against dust and fumes and ensure that persons within or entering the work area are also protected.

- Thoroughly remove all dust after sanding.
- Take special care when sanding paint which is possibly lead based or when sanding some woods and metal which may produce toxic dust:
  - Do not let children or pregnant women enter the work area.
  - Do not eat, drink or smoke in the work area.
  - Dispose of dust particles and any other debris safely.
- This tool is not intended for use by persons (including children) with reduced physical, sensory or mental capabilities, or lack of experience and knowledge, unless they have been given supervision or instruction concerning use of the appliance by a person responsible for their safety. Children should be supervised to ensure that they do not play with the appliance.
- The intended use is described in this instruction manual. The use of any accessory or attachment or performance of any operation with this tool other than those recommended in this instruction manual may present a risk of personal injury and/or damage to property.

## 6. Labels on tool

The label on your tool may include the following symbols:

	Read Instructions Manual	Hz ..... Hertz		Class II Construction
	Use Eye Protection	W ..... Watts		Earthing Terminal
	Use Ear Protection	min ..... minutes		Safety Alert Symbol
			.....	Revolutions or Reciprocation per minute
		----- Direct Current	.../min..	
V ..... Volts		n <sub>0</sub> ..... No-Load Speed		
A ..... Amperes				

### Position of date barcode

The Date Code, which also includes the year of manufacture, is printed into the housing.

Example:

2014 XX JN  
Year of manufacturing

## 7. Electrical safety



Your tool is double insulated; therefore no earth wire is required. Always check that the main voltage corresponds to the voltage on the rating plate.



**Warning!** If the power cord is damaged, it must be replaced by the manufacturer, authorized STANLEY Service Center or an equally qualified person in order to avoid damage or injury. If the power cord is replaced by an equally qualified person, but not authorized by STANLEY, the warranty will not be valid.

### Residual risks

Additional residual risks may arise when using the tool which may not be included in the enclosed safety warnings. These risks can arise from misuse, prolonged use etc.

Even with the application of the relevant safety regulations and the implementation of safety devices, certain residual risks can not be avoided. These include:

- Injuries caused by touching any rotating/moving parts.
- Injuries caused when changing any parts, blades or accessories.
- Injuries caused by prolonged use of a tool. When using any tool for prolonged periods ensure you take regular breaks.
- Impairment of hearing.

- Health hazards caused by breathing dust developed when using your tool (example:- working with wood, especially oak, beech and MDF.)

### Features (Fig. A)

1. On/off switch
2. Dustbag
3. Dust extraction outlet
4. Sanding base
5. Paper clamp lever

### Assembly



**Warning!** Before assembly, make sure that the tool is switched off and unplugged.

#### Fitting sanding sheets (FIG. B y C)



**Warning!** Never use the tool without a sanding sheet or accessory in place.

#### Fitting sanding sheets with nylon loops (FIG. B)



**Warning!** Make sure that the tool is switched off and unplugged.

- Press the sheet firmly and evenly onto the sanding base (4), making sure that the holes in the sheet line up with the holes in the base.

#### Fitting regular sanding sheets (FIG. C)



**Warning!** Make sure that the tool is switched off and unplugged.

- Soften the sanding sheet by rubbing its non-abrasive side over the edge of a worktop.
- Press the paper clamp levers (5) upwards to release them from the retaining grooves and open the paper clamps (5) by pressing them down.
- Place the sheet onto the sanding base (4).
- Insert the edge of the sanding sheet into the front paper clamp (5) as shown.
- Press the front paper clamp lever (5) downwards and locate it in the retaining groove.
- While keeping a slight tension on the sheet, insert the rear edge of the sheet into the rear paper clamp (5).

- Press the rear paper clamp lever (5) downwards and locate it in the retaining groove.

#### Fitting and removing the dustbag (FIG. D)

- Fit the dustbag (2) over the dust extraction outlet (3).
- Slide the dustbag (2) onto the tool and make sure that it is securely located.
- To remove the dustbag (2), pull it to the rear and off the outlet.

## USE

**Warning!** Let the tool work at its own pace. Do not overload.

#### Switching on and off (FIG. E)

- To switch the tool on, press the part of the on/off switch (1) marked 'I'.
- To switch the tool off, press the part of the on/off switch (1) marked 'O'.

#### Emptying the dustbag

- The dustbag (2) should be emptied every 10 minutes.
- Shake the dustbag (2) to empty the contents

#### Hints for optimum use

- Do not place your hands over the ventilation slots.
- Do not exert too much pressure on the tool.
- Regularly check the condition of the sanding sheet. Replace when necessary.
- Always sand with the grain of the wood.
- When sanding new layers of paint before applying another layer, use extra fine grit.
- On very uneven surfaces, or when removing layers of paint, start with a coarse grit. On other surfaces, start with a medium grit. In both cases, gradually change to a fine grit for a smooth finish.
- Consult your retailer for more information on available accessories.

## Maintenance

Your STANLEY tool has been designed to operate over a long period of time with a minimum of maintenance. Continuous satisfactory operation depends upon proper tool care and regular cleaning.



**Warning!** Before performing any maintenance, switch off and unplug the tool.

- Regularly clean the ventilation slots in your tool using a soft dry brush or dry cloth.
- Regularly clean the motor housing using a clean damp cloth. Do not use any abrasive or solvent-based cleaner.

## Service Information

STANLEY offers a full network of company-owned and authorized service locations. All STANLEY Service Centers are staffed with trained personnel to provide customers with efficient and reliable power tool service. For more information about our authorized service centers and if you need technical advice, repair, or genuine factory replacement parts, contact the STANLEY location nearest you.

## Protecting the environment



Separate collection. This product must not be disposed of with normal household waste.

Should you find one day that your STANLEY product needs replacement, or if it is of no further use to you, do not dispose of it with household waste. Make this product available for separate collection.



Separate collection of used products and packaging allows materials to be recycled and used again.

Re-use of recycled materials helps prevent environmental pollution and reduces the demand for raw materials.

Local regulations may provide for separate collection of electrical products from the household, at municipal waste sites or by the retailer when you purchase a new product. STANLEY provides a facility for the collection and recycling of STANLEY products once they have reached the end of their working life. To take advantage of this service please return your product to any authorised repair agent who will collect them on our behalf.

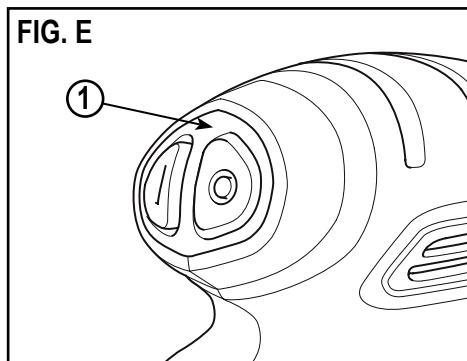
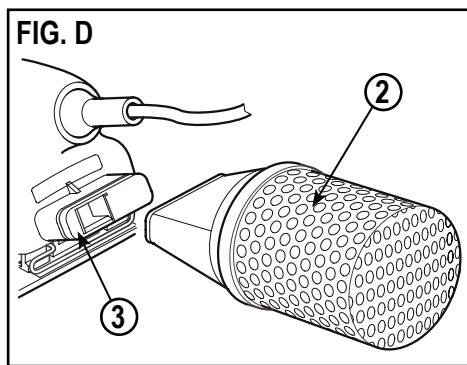
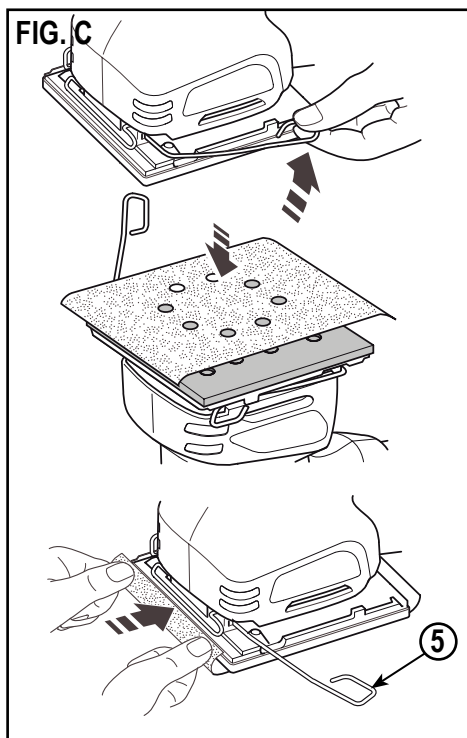
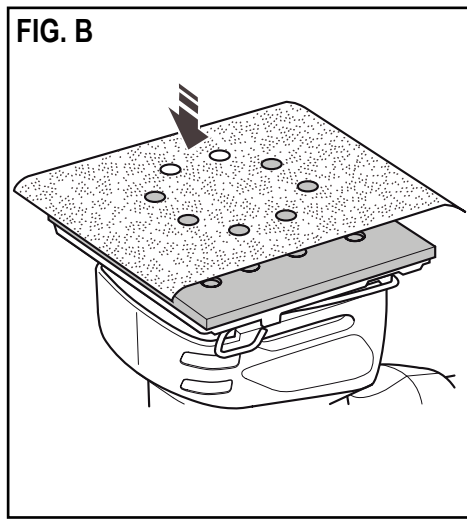
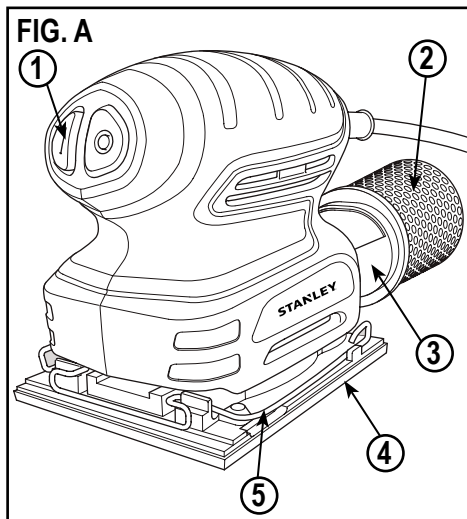
You can check the location of your nearest authorised repair agent by contacting your local STANLEY office at the address indicated in this manual. Alternatively, a list of authorised STANLEY repair agents and full details of our after-sales service and contacts are available on the Internet at: [www.2helpU.com](http://www.2helpU.com)

## Two years full warranty

If your STANLEY product becomes defective due to faulty materials or workmanship within 24 months from the date of purchase, STANLEY Europe guarantees to replace all defective parts free of charge or – at our discretion – replace the unit free of charge provided that:

- The product has not been misused and has been used in accordance with the instruction manual.
- The product has been subject to fair wear and tear;
- Repairs have not been attempted by unauthorised persons;
- Proof of purchase is produced.
- The STANLEY product is returned complete with all original components

If you wish to make a claim, contact your seller or check the location of your nearest authorised STANLEY repair agent in the STANLEY catalogue or contact your local STANLEY office at the address indicated in this manual. A list of authorised STANLEY repair agents and full details of our after sales service is available on the internet at: [www.stanleytools.com](http://www.stanleytools.com)





## Технические данные

Спецификации	STSS025
Мощность	220W
Напряжение	220-240V
Частота	50/60Hz
Орбит в минуту	16000/мин

### Использование по назначению

Ваша шлифовальная машинка STANLEY предназначена для шлифования дерева, металла, пластмассы и окрашенных поверхностей.

**НЕ ВОЗВРАЩАЙТЕ ЭТО ИЗДЕЛИЕ В МАГАЗИН,** сначала обратитесь в местный офис STANLEY или в ближайший авторизованный сервисный центр.

### Общие правила безопасности



**Предостережение!** Ознакомьтесь со всеми инструкциями. Несоблюдение инструкций, указанных ниже, может привести к поражению электрическим током, пожару и/или серьезной травме.

### ЭТИ ИНСТРУКЦИИ

#### Правила техники безопасности

#### Общие предупреждения по технике безопасности электроинструментов



**Внимание!** Ознакомьтесь со всеми правилами безопасности и инструкциями. Несоблюдение предупреждений и инструкций, указанных ниже, может привести к поражению электрическим током, пожару и/или серьезной травме.

Сохраните все предупреждения и инструкции для будущего использования.

Термин "электроинструмент" во всех предупреждениях, указанных ниже, относится к вашему сетевому (с кабелем) электроинструменту или аккумуляторному электроинструменту (без кабеля питания).

#### 1. Безопасность рабочего места

- a. **Содержите рабочее место в чистоте и хорошо освещенным.** Беспорядок на рабочем месте или отсутствие освещения рабочего места может привести к аварии.
- b. **Не работайте с электроинструментом в месте хранения взрывоопасных материалов, например, в присутствии огнеопасных жидкостей, газов или пыли.** Электрические инструменты создают искры, которые могут воспламенить пыль или пары.

- c. **Дети и посторонние лица должны находиться как можно дальше во время работы с электроинструментом.** Вы можете отвлечься и потерять контроль.
2. **Электробезопасность**
  - a. **Вилка электроинструмента должна соответствовать розетке. Никогда не модифицируйте вилку каким-либо образом. Не используйте никакие вилки-переходники с заземленными (замкнутыми на землю) электроинструментами.** Вилки и розетки, которые не подвергались никаким изменениям снижают риск поражения электрическим током.
  - b. **Избегайте контакта тела с заземленными поверхностями, такими как трубы, радиаторы, плиты и холодильники.** Существует повышенный риск поражения электрическим током, если ваше тело заземлено.
  - c. **Избегайте любого воздействия дождя или влаги на электроинструменты.** Вода, попавшая в электроинструмент, увеличивает риск поражения электрическим током.
  - d. **Аккуратно обращайтесь со шнуром питания. Никогда не используйте шнур питания для переноски, перемещения или извлечения вилки из розетки. Держите шнур вдали от источников тепла, масла, острых краев или движущихся частей.** Поврежденные или запутанные шнуры увеличивают риск поражения электрическим током.
  - e. **При работе с электроинструментом на улице, используйте удлинитель, подходящий для наружного использования.** Использование кабеля, пригодного для использования на открытом воздухе, снижает риск поражения электрическим током.
  - f. **При необходимости работы с электроинструментом во влажной среде, используйте устройство защитного отключения (УЗО).** Использование УЗО снижает риск поражения электрическим током. Примечание: определение "Устройство защитного отключения (RCD)" может быть заменено на "Прерыватель схемы замыкания на землю (GFCI)" или "Автоматический выключатель утечки на землю (ELCB)".
3. **Личная безопасность**
  - a. **Будьте внимательны, смотрите, что вы делаете, используйте здравый смысл при работе с электроинструментом. Не используйте электроинструмент, если вы устали или находитесь под влиянием наркотиков, алкоголя или лекарств.** Малейшая неосторожность при работе с электроинструментом может привести к серьезным травмам.

- b. Используйте средства индивидуальной защиты. Всегда надевайте защитные очки. Другое защитное оборудование, включая респиратор, ботинки на нескользящей подошве, защитный шлем или средства защиты органов слуха, используемые в надлежащих условиях, уменьшат риск получения травмы.
- c. Для предотвращения случайного запуска, убедитесь, что переключатель находится в выключенном положении перед подключением к источнику питания и/или аккумуляторной батарее, поднятия или переноски инструмента. Не переносите электроинструмент с пальцем на выключателе и не включайте питание на инструмент с включенным выключателем, что может привести к несчастному случаю.
- d. Перед включением электроинструмента снимайте регулировочный или гаечный ключ. Гаечный или регулировочный ключ, оставленный на вращающейся части электроинструмента, может привести к травме.
- e. Не тянитесь. Сохраняйте правильную стойку и баланс все время. Это позволяет лучше контролировать инструмент в неожиданных ситуациях.
- f. Одевайтесь правильно. Не надевайте свободную одежду или украшения. Держите волосы, одежду и перчатки вдали от движущихся частей. Свободная одежда, украшения или длинные волосы могут попасть в движущиеся части.
- g. Если имеются устройства для подключения пылесборника или вытяжки, убедитесь в том, что они подсоединены и используются правильно. Использование пылесборника снижает вероятность возникновения рисков, связанных с пылью.
4. Использование и уход за электроинструментом
- a. Не перегружайте электроинструмент. Используйте подходящий электрический инструмент для соответствующего применения. Правильно подобранный электроинструмент позволит выполнить работу лучше и безопаснее при скорости, для которой он был разработан.
- b. Не используйте электроинструмент, если переключатель не может его включить и выключить. Любой электроинструмент, который нельзя контролировать с помощью переключателя, опасен и должен быть отремонтирован.
- c. Отключите кабель питания от источника питания и/или аккумуляторный блок от электрического инструмента перед выполнением любых регулировок, замены принадлежностей или при хранении электроинструмента. Такие профилактические меры безопасности уменьшают риск непреднамеренного запуска электрического инструмента.
- d. Храните неиспользуемые электроинструменты в недоступном для детей месте и не позволяйте лицам, не знакомым с электроинструментом или данными инструкциями, работать с электроинструментом. Электроинструменты опасны в руках неопытных пользователей.
- e. Поддержание электроинструмента. Проверяйте разрегулированность или соединение подвижных частей, поломки частей и любые другие условия, которые могут повлиять на работу электроинструмента. При наличии повреждения, отремонтируйте электроинструмент перед использованием. Многие несчастные случаи являются следствием плохого ухода за электроинструментом.
- f. Держите режущий инструмент острым и чистым. Хорошо ухоженный режущий инструмент с острыми режущими кромками легче контролировать.
5. Обслуживание
- a. Обеспечьте, чтобы обслуживание и ремонт вашего электроинструмента проводился в авторизованном сервисном центре по ремонту с использованием только оригинальных запасных частей. Это станет гарантией безопасности электроинструмента.

### Дополнительные правила техники безопасности для электроинструментов

- Держите инструмент за изолированные поверхности во время работы, при которой режущий инструмент может задеть скрытую проводку или собственный кабель. При контакте режущего аксессуара с «работающим» проводом или открытыми металлическими частями электроинструмента оператора может ударить электрическим током.
- Используйте тиски или другое подходящее приспособление для обеспечения и поддержания обрабатываемого изделия на устойчивой платформе. Проведение работы по направлению руки или против вашего тела лишает устойчивости и может привести к потере контроля.



**Предостережение!** Контакт с пылью или вдыхание пыли, образующейся во время шлифования может представлять опасность для здоровья оператора и окружающих лиц. Надевайте респиратор, специально разработанный для защиты от пыли и паров, и следите, чтобы лица, находящиеся в рабочей зоне, также были защищены.

- Соблюдайте особую осторожность при удалении краски на основе свинца или при шлифовании некоторых сортов дерева или металла, которые могут быть источником токсичной пыли:
- Не позволяйте детям или беременным женщинам находиться в рабочей зоне.
- Не ешьте, не пейте и не курите в рабочей зоне.
- Удаляйте частицы пыли и прочие отходы безопасным способом.
- Этот инструмент не предназначен для использования лицами (включая детей) с ограниченными физическими, чувствительными или умственными способностями или с недостатком опыта или знаний, если они не были под контролем и руководством лица, контролирующего использование инструмента или ответственным за их безопасность. Дети должны быть под присмотром взрослых, чтобы не допустить никаких игр с инструментом.
- Назначение инструмента описывается в данном руководстве. Использование любых аксессуаров или приспособлений или выполнение любых операций с помощью этого инструмента, не рекомендованных в данном руководстве, может представлять опасность получения травм и/или повреждения имущества.

## 6. Этикетки на инструменте

Этикетка на вашем инструменте может включать следующие символы:



Читайте инструкции по эксплуатации



Используйте средства защиты глаз



Используйте средства защиты органов слуха

Гц ..... Герц  
Вт ..... Ватт

мин..... минуты

~ Переменный ток

==== Постоянный ток



..... Конструкция класса II



..... Терминал заземления



..... Символ предупреждения об опасности оборотов или возвратно-поступательное движение в минуту

...мин..

V ..... Вольт

A ..... Ампер

n<sub>0</sub> ..... Скорость без нагрузки

## Положение даты штрих-кода

Дата кода, который также включает год изготовления, печатается на корпусе.

Пример:

2014 XX JN

Год изготовления

## 7. Электрическая безопасность



Ваш инструмент защищен двойной изоляцией, поэтому заземляющий провод не требуется. Всегда проверяйте, чтобы напряжение сети соответствовало напряжению, указанному на заводской табличке.



**Предостережение!** Если оригинальный шнур питания поврежден, он должен быть заменен производителем или в уполномоченном сервисном центре STANLEY для того, чтобы избежать опасности или повреждений. Если шнур питания заменен квалифицированным специалистом, не уполномоченным STANLEY, гарантия действовать не будет.

## Остаточные риски

Дополнительные остаточные риски могут возникнуть при использовании инструмента, который не может быть включен в описанные здесь правила техники безопасности. Эти риски могут возникнуть при неправильном или продолжительном использовании изделия и т.п.

Даже при соблюдении соответствующих правил техники безопасности и использовании предохранительных устройств, некоторых остаточных рисков невозможно избежать. Они включают в себя:

- Травмы в результате касания вращающихся/движущихся частей.
- Риск получения травмы во время смены деталей инструмента, ножей или насадок.
- Травмы, вызванные продолжительным использованием инструмента. При использовании инструмента в течение продолжительного периода времени делайте регулярные перерывы в работе.
- Плохой слух
- Ущерб здоровью в результате вдыхания пыли при использовании инструмента (пример: работа с деревом, в особенности, с древесиной дуба, бука и древесноволокнистой плитой средней плотности)

## Характеристики (рис. А)

1. Переключатель вкл./выкл.
2. Мешок для мусора
3. Выход для отсоса пыли
4. Шлифовальная основа
5. Рычаг зажима наждачной бумаги

**Сборка**

**Предостережение!** Перед сборкой убедитесь, что инструмент выключен и отключен от источника питания.

**Установка шлифовальной бумаги (рис. В и С)**

**Предостережение!** Никогда не используйте инструмент без шлифовальной бумаги, или если аксессуар находится не на месте.

**Установка шлифовальной бумаги с нейлоновыми петлями (рис. В)**

**Предостережение!** Убедитесь, что инструмент выключен и отключен от сети.

- Прижмите лист плотно и равномерно на шлифовальной основе (4), убедившись, что отверстия в листе совпадают с отверстиями в основании.

**Установка обычных листов наждачной бумаги (фиг. С)**

**Предостережение!** Убедитесь, что инструмент выключен и отключен от сети.

- Смягчите наждачную бумагу, протерев ее с обратной стороны по краю рабочей поверхности.
- Поднимите рычаги зажима бумаги (5) вверх, чтобы освободить их из удерживающих пазов и открыть зажимы (5), опустив их вниз.
- Поместите лист на шлифовальную основу (4).
- Вставьте край наждачной бумаги в передний зажим для бумаги (5), как показано.
- Нажмите на передний рычаг зажима для бумаги (5) вниз, чтобы он вошел в удерживающий паз.
- Продолжая придавливать лист, вставьте заднюю кромку листа в зажимы для бумаги (5).
- Нажмите на задний рычаг зажима для бумаги (5) вниз, чтобы он вошел в удерживающий паз.

**Установка и снятие пылесборника (рис. D)**

- Установите пылесборник (2) над выходом для отсоса пыли (3).
- Присоедините пылесборник (2) к инструменту и убедитесь, что он надежно закреплен.
- Чтобы удалить пылесборник (2), подтяните его к задней части и от выхода.

**ИСПОЛЬЗОВАНИЕ**

**Предостережение!** Дайте инструменту работать с нормальной нагрузкой. Не перегружайте его.

**Включение и выключение (рис. E)**

- Чтобы включить инструмент, нажмите на переключатель вкл./выкл. (1) с пометкой « I ».
- Чтобы выключить инструмент, нажмите на переключатель вкл./выкл. (1) с пометкой « 0 ».

**Очистка пылесборника**

- Мешок для сбора пыли (2) следует полностью очищать каждые 10 минут.
- Встряхните мешок для мусора (2) и очистите его содержимое

**Советы по оптимальному использованию**

- Не кладите руки на вентиляционные отверстия.
- Не нажимайте слишком сильно на инструмент.
- Регулярно проверяйте состояние наждачной бумаги. Замените ее при необходимости.
- Всегда шлифуйте с крупными древесинами.
- При шлифовании новых слоев краски перед нанесением еще одного слоя, используйте дополнительную мелкую зернистость.
- На очень неровных поверхностях или при удалении слоев краски, начните работу с применением бумаги с грубой зернистостью. Для других поверхностей, начните со средней зернистости. В обоих случаях, постепенно переходите на бумагу с мельчайшей зернистостью для получения гладкой поверхности.
- Проконсультируйтесь у своего дилера для получения дополнительной информации об аксессуарах, имеющихся в продаже.

**Обслуживание**

Ваш инструмент STANLEY был разработан для работы в течение длительного периода времени при минимальном техническом обслуживании. Для обеспечения удовлетворительной работы, инструмент должен правильно храниться и подвергаться регулярной чистке.

**Предостережение!** Перед выполнением любых работ по обслуживанию выключите и отсоедините инструмент.

- Регулярно очищайте вентиляционные прорези инструмента мягкой щеткой или сухой тканью.
- Регулярно очищайте корпус двигателя влажной тканью. Не используйте для чистки абразивные материалы или материалы на основе растворителя.

**Информационная служба**

STANLEY предлагает обширную сеть авторизованных сервисных центров, принадлежащих компании. Все сервисные центры STANLEY укомплектованы персоналом, прошедшим обучение, чтобы предоставить клиентам эффективный и надежный сервис. Для получения более подробной информации о наших авторизованных сервисных центрах, и если вам необходим технический совет, ремонт или оригинальные запасные части, обратитесь в ближайший к вам центр STANLEY.

## Защита окружающей среды



Раздельный сбор и утилизация. Этот продукт не следует утилизировать вместе с бытовым мусором.

Если вы поймете, что ваш продукт Stanley нуждается в замене, или если он не имеет никакого дальнейшего применения для вас, не выбрасывайте его вместе с бытовыми отходами. Предоставьте этот продукт для раздельного сбора/утилизации.



Раздельный сбор продуктов и упаковок позволяет осуществить их переработку и использовать их повторно. Повторное использование переработанных материалов помогает защищать окружающую среду от загрязнения и снижает расход сырьевых материалов.

Местное законодательство может обеспечить сбор старых электроинструментов отдельно от бытового мусора на муниципальных свалках отходов или в торговом предприятии при покупке нового изделия. Stanley обеспечивает возможность для сбора и утилизации продуктов Stanley, как только они достигли конца своего срока службы. Для того чтобы воспользоваться этой услугой, вы можете сдать ваше изделие в любой авторизованный сервисный центр, который собирает их по нашему поручению.

Вы можете узнать место нахождения вашего ближайшего авторизованного сервисного центра, обратившись в местное отделение Stanley по адресу, указанному в данном руководстве. Кроме того, список авторизованных ремонтных агентов Stanley и полную информацию о нашем послепродажном обслуживании и контактах вы можете найти в Интернете: [www.2helpU.com10](http://www.2helpU.com10)

## Полная гарантия сроком на два года

Если ваш продукт STANLEY выходит из строя из-за дефектных материалов или изготовления в течение 24 месяцев с даты покупки, STANLEY Europe гарантирует замену всех неисправных деталей бесплатно или - по своему усмотрению - замену продукта бесплатно при условии, что:

- Продукт использовался правильно, его эксплуатация проводилась строго в соответствии с инструкцией по эксплуатации.
- Продукт подвергался естественному износу;
- Ремонт не проводился посторонними лицами;
- Представлены документы, подтверждающие покупку.
- Продукт STANLEY возвращается в полном комплекте со всеми оригинальными компонентами

Если вы хотите сделать заявку, свяжитесь с продавцом или узнайте место нахождения вашего ближайшего авторизованного сервисного агента Stanley в каталоге Stanley или обратитесь в местное представительство Stanley по адресу, указанному в данном руководстве. Список авторизованных сервисных агентов Stanley и полную информацию о нашем послепродажном обслуживании можно найти в Интернете по адресу: [www.stanleytools.com](http://www.stanleytools.com)

# STANLEY

## Гарантийные условия

### Уважаемый покупатель!

1. Поздравляем Вас с покупкой высококачественного изделия STANLEY и выражаем признательность за Ваш выбор.
2. При покупке изделия требуйте проверки его комплектности и исправности в Вашем присутствии, инструкцию по эксплуатации и заполненный гарантийный талон на русском языке.

В гарантийном талоне должны быть внесены: модель, дата продажи, серийный номер, дата производства инструмента; название, печать и подпись торговой организации. При отсутствии у Вас правильно заполненного гарантийного талона, а также несоответствия указанных в нем данных мы будем вынуждены отклонить Ваши претензии по качеству данного изделия.

3. Во избежание недоразумений убедительно просим Вас перед началом работы с изделием внимательно ознакомиться с инструкцией по его эксплуатации. Правовой основой настоящих гарантийных условий является действующее Законодательство. Гарантийный срок на данное изделие составляет 24 месяца и исчисляется со дня продажи. В случае устранения недостатков изделия, гарантийный срок продлевается на период его нахождения в ремонте. Срок службы изделия составляет 5 лет со дня продажи.
4. В случае возникновения каких-либо проблем в процессе эксплуатации изделия рекомендуем Вам обратиться только в уполномоченные сервисные центры STANLEY, адреса и телефоны которых Вы сможете найти в гарантийном талоне, на сайте [www.2helpU.com](http://www.2helpU.com) или узнать в магазине. Наши сервисные станции - это не только квалифицированный ремонт, но и широкий ассортимент запчастей и принадлежностей.
5. Производитель рекомендует проводить периодическую проверку и техническое обслуживание изделия в уполномоченных сервисных центрах.

# EAC

Изготовитель

Блэк энд Декер Холдингс ГмБХ  
Германия, 65510, Идштайн,  
ул. Блэк энд Деккер, 40

6. Наши гарантийные обязательства распространяются только на неисправности, выявленные в течение гарантийного срока и вызванные дефектами производства и/или материалов.
7. **Гарантийные условия не распространяются на неисправности изделия, возникшие в результате:**
  - 7.1. Несоблюдения пользователем предписаний инструкции по эксплуатации изделия, применения изделия не по назначению, неправильном хранении, использования принадлежностей, расходных материалов и запчастей, не предусмотренных производителем.
  - 7.2. Механического повреждения (сколы, трещины и разрушения) внутренних и внешних деталей изделия, основных и вспомогательных рукояток, сетевого электрического кабеля, вызванного внешним ударным или любым иным воздействием
  - 7.3. Попадания в вентиляционные отверстия и проникновение внутрь изделия посторонних предметов, материалов или веществ, не являющихся отходами, сопровождающими применение изделия по назначению, такими как: стружка, опилки, песок, и пр.
  - 7.4. Воздействий на изделие неблагоприятных атмосферных и иных внешних факторов, таких как дождь, снег, повышенная влажность, нагрев, агрессивные среды, несоответствие параметров питающей электросети, указанных на инструменте.
  - 7.5. Стихийного бедствия. Повреждение или утрата изделия, связанное с непредвиденными бедствиями, стихийными явлениями, в том числе вследствие действия непреодолимой силы (пожар, молния, потоп и другие природные явления), а так же вследствие перепадов напряжения в электросети и другими причинами, которые находятся вне контроля производителя.
8. **Гарантийные условия не распространяются:**
  - 8.1. На инструменты, подвергавшиеся вскрытию, ремонту или модификации вне уполномоченного сервисного центра.
  - 8.2. На детали и узлы, имеющие следы естественного износа, такие как: приводные ремни и колеса, угольные щетки, смазка, подшипники, зубчатое зацепление редукторов, резиновые уплотнения, сальники, направляющие ролики, муфты, выключатели, бойки, толкатели, стволы, и т.п.
  - 8.3. На сменные части: патроны, цанги, зажимные гайки и фланцы, фильтры, аккумуляторные батареи, ножи, шлифовальные подошвы, цепи, звездочки, пыльные шины, защитные кожухи, пилки, абразивы, пыльные и абразивные диски, фрезы, сверла, буры и т.п.
  - 8.4. На неисправности, возникшие в результате перегрузки инструмента (как механической, так и электрической), повлекшей выход из строя одновременно двух и более деталей и узлов, таких как: ротора и статора, обеих обмоток статора, ведомой и ведущей шестерни редуктора или других узлов и деталей. К безусловным признакам перегрузки изделия относятся, помимо прочего: появление цветов побежалости, деформация или оплавление деталей и узлов изделия, потемнение или облупивание изоляции проводов электродвигателя под воздействием высокой температуры.

FIG. A

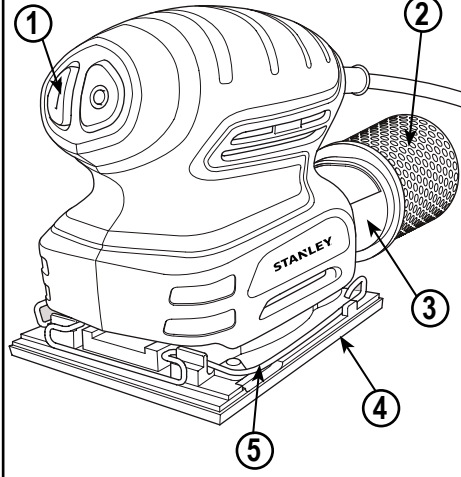


FIG. B

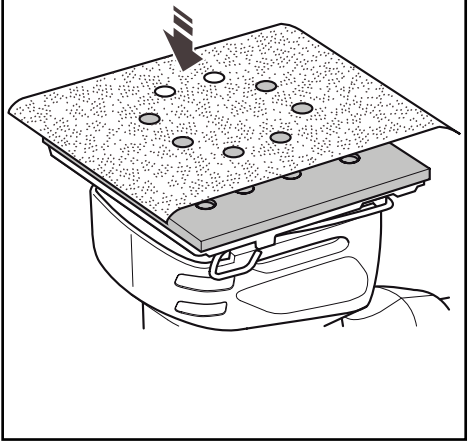


FIG. C

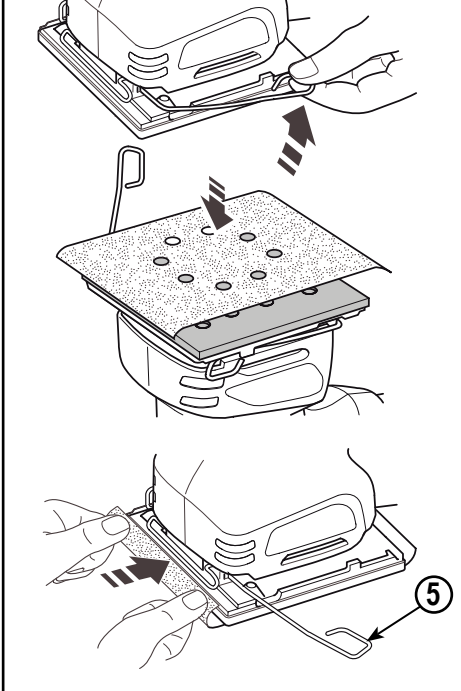


FIG. D

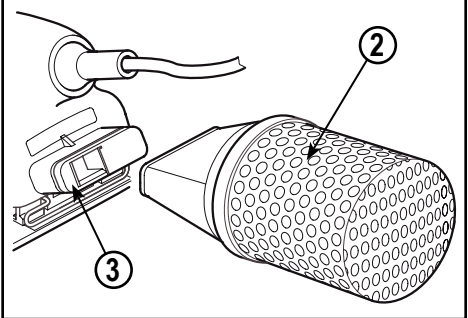
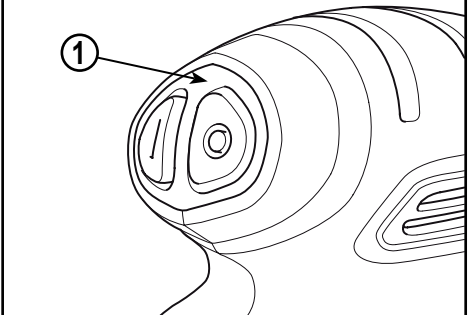


FIG. E



## Технічні дані

Специфікації	STSS025
Потужність	220W
Напруга	220-240V
Частота	50/60Hz
Орбіт в хвилину	16000/хвил

## Використання за призначенням

Ваша шліфувальна машинка STANLEY призначена для шліфування дерева, металу, пластмаси і пофарбованих поверхонь.

**НЕ ПОВЕРТАЙТЕ ЦЕЙ ВИРОБ В МАГАЗИН,**  
спочатку зверніться в місцевий офіс STANLEY або в  
найближчий авторизований сервісний центр.



### Загальні правила безпеки

**Застереження!** Ознайомтеся з усіма інструкціями. Недотримання інструкцій, зазначених нижче, може призвести до ураження електричним струмом, пожежі та/або серйозної травми.

## ЗБЕРЕЖІТЬ ЦІ ІНСТРУКЦІЇ

### Правила техніки безпеки



### Загальні попередження з техніки безпеки електроінструментів

**Увага!** Ознайомтеся з усіма правилами безпеки та інструкціями. Недотримання попереджень та інструкцій, зазначених нижче, може призвести до ураження електричним струмом, пожежі та/або серйозної травми.

**Збережіть всі попередження та інструкції для майбутнього використання.**

Термін "електроінструмент" у всіх попередженнях, зазначених нижче, відноситься до мережевого (з кабелем) електроінструменту або акумуляторної батареї (без кабелю живлення).

### 1. Безпека робочого місця

- Утримуйте робоче місце в чистоті і добре освітленим.** Безлад на робочому місці або відсутність освітлення робочого місця може призвести до аварії.
- Не працюйте з електроінструментом в місці зберігання вибухонебезпечних матеріалів, наприклад, у присутності легкозаймистих рідин, газів або пилу.** Електричні інструменти створюють іскри, що можуть запалити пил або пари.

- Діти і сторонні особи повинні знаходитися якнайдалі під час роботи з електроприладами.** Ви можете відволіктися і втратити контроль.

### 2. Електробезпека

- Вилка електроінструмента повинна відповідати розетці. Ніколи не змінюйте вилку будь-яким чином. Не використовуйте ніякі вилки-перехідники з заземленими (замкнутими на землю) електроінструментами.** Вилки і розетки, які не піддавалися ніяким змінам знижують ризик ураження електричним струмом.
- Уникайте контакту тіла з заземленими поверхнями, такими як труби, радіатори, плити та холодильники.** Існує підвищений ризик ураження електричним струмом, якщо ваше тіло заземлене.
- Уникайте будь-якого впливу дощу або вологи на електроінструменти.** Вода, що потрапила в електроінструмент, збільшує ризик ураження електричним струмом.
- Обережно поводьтеся зі шнуром живлення. Ніколи не використовуйте шнур живлення для перенесення, перемищення або вилучення вилки з розетки. Тримайте шнур подалі від джерел тепла, масла, гострих країв або рухомих частин.** Пошкоджені або заплутані шнури збільшують ризик ураження електричним струмом.
- При роботі з електроінструментом на вулиці, використовуйте подовжувач, відповідний для зовнішнього використання.** Використання кабелю, придатного для використання на відкритому повітрі, знижує ризик ураження електричним струмом.
- При необхідності роботи з електроінструментом у вологому середовищі, використовуйте пристрій захисного відключення (ПЗВ).** Використання ПЗВ знижує ризик ураження електричним струмом. Примітка: визначення "Пристрій захисного відключення (RCD)" може бути замінено на "Переривник схеми замикання на землю (GFCI)" або "Автоматичний вимикач витoku на землю (ELCB)".

### 3. Особиста безпека

- Будьте уважні, дивіться, що ви робите, використовуйте здоровий глузд при роботі з електроприладами. Не використовуйте електроінструмент, якщо ви втомилися або перебуваєте під впливом наркотиків, алкоголю або ліків.** Найменша необережність при роботі з електроінструментом може призвести до серйозних травм.



- b. Використовуйте засоби індивідуального захисту. Завжди надягайте захисні окуляри.** Інше захисне обладнання, включаючи респіратор, черевики на нековзній підшві, захисний шолом або засоби захисту органів слуху, використовувати в належних умовах, зменшать ризик отримання травми.
- c. Для запобігання випадкового запуску, переконайтеся, що перемикач знаходиться у вимкненому положенні перед підключенням до джерела живлення та/або акумуляторної батареї, підняття або перенесення інструменту.** Не переносьте електроінструмент з пальцем на вимикачі і не включайте електроживлення на інструмент з увімкненим вимикачем, що може призвести до нещасного випадку.
- d. Перед підключенням електроінструменту знімайте регулювальний або гайковий ключ.** Гайковий або регулювальний ключ, залишений на обертовій частині електроінструменту, може призвести до травми.
- e. Не тягніться. Зберігайте правильну стійку і баланс весь час.** Це дозволяє краще контролювати інструмент в несподіваних ситуаціях.
- f. Одягайтеся правильно. Не надягайте вільний одяг або прикраси. Тримайте волосся, одяг і рукавички далеко від рухомих частин.** Вільний одяг, прикраси або довге волосся можуть потрапити в рухому частину.
- g. Якщо є пристрій для підключення пилосбірника або витяжки, переконайтеся в тому, що вони під'єднані і використовуються правильно.** Використання пилосбірника знижує ймовірність виникнення ризиків, пов'язаних з пилом.
- 4. Використання та догляд за електроінструментом**
- a. Не перевантажуйте електроінструмент. Використовуйте відповідний електричний інструмент для відповідного застосування.** Правильно підібраний електроінструмент дозволить виконати роботу краще і безпечніше при швидкості, для якій він був розроблений.
- b. Не використовуйте електроінструмент, якщо перемикач не може його включити і вимкнути.** Будь-який електроінструмент, який не можна контролювати за допомогою перемикача, є небезпечний і повинен бути відремонтований.
- c. Від'єднайте кабель живлення від джерела живлення та/або акумулятора від електричного інструменту перед виконанням будь-яких регулювань, заміни приладдя або при зберіганні електроінструменту.** Такі профілактичні заходи безпеки зменшують ризик ненавмисного запуску електричного інструменту.
- d. Зберігайте електроприлади в недоступному для дітей місці і не дозволяйте особам, які не знайомі з електричним інструментом або даними інструкціями, працювати з електроприладами.** Електроінструменти небезпечні в руках недосвідчених користувачів.
- e. Підтримання електроінструменту. Перевіряйте розрегульованість або з'єднання рухомих частин, поломки частин і будь-які інші умови, які можуть вплинути на роботу електроінструменту. При наявності пошкодження, відремонтуйте електроінструмент перед використанням.** Багато нещасних випадків є наслідком поганого догляду за електроінструментом.
- f. Тримайте ріжучий інструмент гострим і чистим.** Добре доглянутий ріжучий інструмент з гострими ріжучими крайками легше контролювати.
- g. Використовуйте електроінструмент, аксесуари та насадки відповідно до цих вказівок, приймаючи до уваги умови роботи і ті роботи, які повинні бути виконані.** Використання електроінструменту для операцій, які відрізняються від тих, для яких він призначений, може призвести до небезпечної ситуації.
- 5. Обслуговування**
- a. Забезпечте, щоб обслуговування і ремонт вашого електроінструменту проводився в авторизованому сервісному центрі по ремонту з використанням тільки оригінальних запасних частин.** Це стане гарантією безпеки електроінструменту.

### Додаткові правила техніки безпеки для електроінструментів

- Тримайте інструмент за ізольовані поверхні під час роботи, при якій ріжучий інструмент може зачепити приховану проводку або власний кабель. При контакті ріжучого аксесуара з «працюючим» проводом або відкритими металевими частинами електроінструменту оператора може вдарити електричним струмом.
- Використовуйте лещата або інше відповідне пристосування для забезпечення і підтримки оброблюваного виробу на стійкій платформі. Проведення роботи по напрямку руки або проти вашого тіла позбавляє стійкості і може призвести до втрати контролю.



**Застереження!** Контакт з пилом або вдихання пилу, що утворюється під час шліфування може становити небезпеку для здоров'я оператора і оточуючих осіб. Одягайте респіратор, спеціальний розроблений для захисту від пилу і парів і парів і стежте, щоб особи, які перебувають в робочій зоні, також були захищені.

- Дотримуйтесь особливої обережності при видаленні фарби на основі свинцю або при шліфуванні деяких сортів дерева або металу, які можуть бути джерелом токсичного пилу:
- Не дозволяйте дітям або вагітним жінкам перебувати в робочій зоні.
- Не їйте, не пийте і не паліть у робочій зоні.
- Видаляйте частинки пилу та інші відходи безпечним способом.
- Цей інструмент не призначений для використання особами (включаючи дітей) з обмеженими фізичними, чутливими або розумовими здібностями або з браком досвіду чи знань, якщо вони не були під контролем і керівництвом особи, яка контролює використання інструменту або відповідальним за їх безпеку. Діти повинні бути під наглядом дорослих, щоб не допустити ніяких ігор з інструментом.
- Призначення інструменту описується в цьому посібнику. Використання будь-яких аксесуарів або пристосувань або виконання будь-яких операцій за допомогою цього інструменту, які не рекомендовані у цьому посібнику, може становити небезпеку отримання травм та / або пошкодження майна.

## 6. Етикетки на інструменті

Етикетки на вашому інструменті можуть включати такі символи:



Читайте інструкції з експлуатації

Gc ..... Герц



..... Конструкція класу II



Використовуйте засоби захисту очей

Вт ..... Ватт



..... Термінал заземлення



Використовуйте засоби захисту органів слуху

мин ..... хвилини



..... Символ попередження про небезпеку

~ Змінний струм

==== Постійний струм

хв..

обороти або зворотно поступальний рух в хвилину

V ..... Вольт

n<sub>0</sub> ..... Швидкість без навантаження

A ..... Ампер

### Положення дати штрих-коду

Дата коду, який також включає рік виготовлення, друкується на корпусі.

Приклад:

2014 XX JN  
Рік виготовлення

## 7. Електрична безпека



Ваш інструмент захищений подвійною ізоляцією, тому заземлюючий провід не потрібен. Завжди перевіряйте, щоб напруга мережі відповідала напрузі, вказаній на табличці.



**Застереження!** Якщо оригінальний шнур живлення пошкоджений, він повинен бути

замінений виробником або в уповноваженому сервісному центрі STANLEY для того, щоб уникнути небезпеки або пошкоджень. Якщо шнур живлення замінений кваліфікованим фахівцем, не уповноваженим STANLEY, гарантія діяти не буде.

## Залишкові ризики

Додаткові залишкові ризики можуть виникнути при використанні інструменту, який не може бути включений в описані тут правила техніки безпеки. Ці ризики можуть виникнути при неправильному або тривалому використанні виробу і т.д. Незважаючи на дотримання відповідних правил техніки безпеки та використання запобіжних пристроїв, деяких залишкових ризиків неможливо уникнути. Вони включають в себе:

- Травми в результаті торкання обертових/рухомих частин.
- Ризик отримання травми під час зміни деталей інструменту, ножів або насадок.
- Травми, викликані тривалим використанням інструменту. При використанні інструменту протягом тривалого часу робіть регулярні перерви в роботі.
- Поганий слух
- Збиток здоров'ю внаслідок вдихання пилу при використанні інструменту (приклад: робота з деревом, особливо, з деревиною дуба, бука і деревоволокнистими плитами середньої щільності)

## Характеристики (мал. А)

1. Перемикач вкл./викл.
2. Мішок для сміття
3. Вихід для відсмоктування пилу
4. Шліфувальна основа
5. Важіль затискача наждачного паперу

## Збірка



**Застереження!** Перед збіркою переконайтеся, що інструмент вимкнений і відключений від джерела живлення.

### Установка шліфувального паперу (рис. В і С)



**Застереження!** Ніколи не використовуйте інструмент без шліфувального паперу, або якщо аксесуар знаходиться не на місці.

### Установка шліфувального паперу з нейлоновими петлями (мал. В)



**Застереження!** Переконайтеся, що інструмент вимкнений і відключений від мережі.

- Притисніть лист щільно і рівномірно на шліфувальній основі (4), переконавшись, що отвори в листі збігаються з отворами в основі.

**Установка звичайних листів наждачного паперу (мал. С)**

**Застереження!** Переконайтеся, що інструмент вимкнений і відключений від мережі.

- Пом'якшіть наждачний папір, протерши його зі зворотного боку по краю робочої поверхні.
- Підніміть важелі затиску паперу (5) вгору, щоб звільнити їх з утримуючих пазів і відкрити затискачі (5), опустивши їх униз.
- Помістіть лист на шліфувальну основу (4).
- Вставте край наждачного паперу в передній затискач для паперу (5), як показано.
- Натисніть на передній важіль затиску для паперу (5) вниз, щоб він увійшов в паз.
- Продовжуючи придавлювати лист, вставте задню кромку листа в затискачі для паперу (5).
- Натисніть на задній важіль затиску для паперу (5) вниз, щоб він увійшов в паз.

**Установка і зняття пилозбірника (мал. D)**

- Встановіть пилозбірник (2) над виходом для відсмоктування пилу (3).
- Приєднайте пилозбірник (2) до інструменту і переконайтеся, що він надійно закріплений.
- Щоб видалити пилозбірник (2), підтягніть його до задньої частини і від виходу.

**ВИКОРИСТАННЯ**

**Застереження!** Дайте інструменту працювати з нормальним навантаженням. Не перевантажуйте його.

**Вмикання і вимикання (мал. E)**

- Щоб включити інструмент, натисніть на перемикач вкл./викл. (1) з позначкою «I».
- Щоб вимкнути інструмент, натисніть на перемикач вкл./викл. (1) з позначкою «0».

**Очищення пилозбірника**

- Мішок для збору пилу (2) слід повністю очищати кожні 10 хвилин.
- Струсніть мішок для сміття (2) і очистіть його вміст

**Поради по оптимальному використанню**

- Не ставте руки на вентиляційні отвори.

- Не натискайте занадто сильно на інструмент.
- Регулярно перевіряйте стан наждачного паперу. Замініть його при необхідності.
- Завжди шліфуйте з крупками деревини.
- При шліфуванні нових шарів фарби перед нанесенням ще одного шару, використовуйте додаткову дрібну зернистість.
- На дуже нерівних поверхнях або при видаленні шарів фарби, почніть роботу із застосуванням паперу з грубою зернистістю. Для інших поверхонь, почніть з середньої зернистості. В обох випадках, поступово переходить на папір з найдрібнішої зернистістю для отримання гладкої поверхні.
- Запитайте у свого дилера для отримання додаткової інформації про аксесуари, які є у продажу.

**Обслуговування**

Ваш інструмент STANLEY був розроблений для роботи протягом тривалого періоду часу при мінімальному технічному обслуговуванні. Для забезпечення задовільної роботи, інструмент повинен правильно зберігатися і піддаватися регулярному чищенню.



**Застереження!** Перед виконанням будь-яких робіт з обслуговування вимкніть і відключіть інструмент.

- Регулярно очищайте вентиляційні прорізи інструменту м'якою щіткою або сухою тканиною.
- Регулярно очищайте корпус двигуна вологою тканиною. Не використовуйте для чищення абразивні матеріали або матеріали на основі розчинника.

**Інформаційна служба**

STANLEY пропонує широку мережу авторизованих сервісних центрів, що належать компанії. Всі сервісні центри STANLEY укомплектовані персоналом, який пройшов навчання, щоб надати клієнтам ефективний і надійний сервіс. Для отримання більш докладної інформації про наші авторизовані сервісні центри, і якщо вам необхідна технічна рада, ремонт або оригінальні запасні частини, зверніться до найближчого до вас центру STANLEY.

## Повна гарантія терміном на два роки



Роздільний збір і утилізація. Цей продукт не слід утилізувати разом з побутовим сміттям.

Якщо ви зрозумієте, що ваш продукт Stanley потребує заміни, або якщо він не має ніякого подальшого застосування для вас, не викидайте його разом з побутовими відходами. Надайте цей продукт для роздільного збору/утилізації.



Роздільний збір продуктів і упаковок дозволяє здійснити їх переробку і використати їх повторно. Повторне використання перероблених матеріалів допомагає захищати довкілля від забруднення і знижує витрату сировинних матеріалів.

Місьцеве законодавство може забезпечити збір старих електроінструментів окремо від побутового сміття на муніципальних звалищах відходів або в торговому підприємстві при купівлі нового виробу. Stanley забезпечує можливість для збору і утилізації продуктів Stanley, як тільки вони досягли кінця свого терміну служби. Для того, щоб скористатися цією послугою, ви можете здати ваш виріб у будь-який авторизований сервісний центр, який збирає їх за нашим дорученням.

Ви можете упізнати місце знаходження вашого найближчого авторизованого сервісного центру, звернувшись в місьцеве відділення Stanley за адресою, вказаною в цьому керівництві. Крім того, список авторизованих ремонтних агентів Stanley і повну інформацію про наше післяпродажне обслуговування і контакти ви можете знайти в Інтернеті: [www.2helpu.com](http://www.2helpu.com)10

## Два рік повної гарантії

Якщо ваш продукт STANLEY виходить з ладу із-за дефектних матеріалів або виготовлення впродовж 24 місяців з дати купівлі, STANLEY Europe гарантує заміну усіх несправних деталей безкоштовно або - на власний розсуд - заміну продукту безкоштовно за умови, що:

- Продукт використовувався правильно, його експлуатація проводилася строго відповідно до інструкції з експлуатації.
- Продукт піддавався звичайному зносу;
- Ремонт не проводився сторонніми особами;
- Представлені документи, що підтверджують купівлю.
- Продукт STANLEY повертається в повному комплекті з усіма оригінальними компонентами

Якщо ви хочете зробити заявку, зв'яжіться з продавцем або з'ясуйте місце знаходження вашого найближчого авторизованого сервісного агента Stanley в каталозі Stanley або зверніться в місьцеве представництво Stanley за адресою, вказаною в цьому посібнику. Список авторизованих сервісних агентів Stanley і повну інформацію про наше післяпродажне обслуговування можна знайти в Інтернеті за адресою: [www.stanleytools.com](http://www.stanleytools.com)

**STANLEY**

Гарантійні умови

Шановний покупець!

1. Вітаємо Вас з покупкою високоякісного виробу STANLEY і висловлюємо вдячність за Ваш вибір.
2. При покупці виробу вимагайте перевірки його комплектності і справності у Вашій присутності, інструкцію з експлуатації та заповнений гарантійний талон українською мовою  
В гарантійному талоні повинні бути внесені: модель, дата продажу, серійний номер, дата виробництва інструменту; назва, печатка і підпис торгової організації. За відсутності у Вас правильно заповненого гарантійного талону, а також при невідповідності зазначених у ньому даних ми будемо змушені відхилити Ваші претензії щодо якості даного виробу.
3. Щоб уникнути непорозумінь, переконливо просимо Вас перед початком роботи з виробом уважно ознайомитися з інструкцією з його експлуатації. Правовою основою справжніх гарантійних умов є чинне Законодавство. Гарантійний термін на даний виріб складає 24 місяці і обчислюється з дня продажу. У разі усунення недоліків виробу, гарантійний строк продовжується на період його перебування в ремонті. Термін служби виробу становить 5 років з дня продажу.
4. У разі виникнення будь-яких проблем у процесі експлуатації виробу рекомендуємо Вам звертатися тільки в уповноважені сервісні центри STANLEY, адреси та телефони яких Ви зможете знайти в гарантійному талоні, на сайті [www.2helpU.com](http://www.2helpU.com) або дізнатися в магазині. Наші сервісні станції - це не тільки кваліфікований ремонт, але і широкий асортимент запчастин і аксесуарів.
5. Виробник рекомендує проводити періодичну перевірку і технічне обслуговування виробу в уповноважених сервісних центрах.
6. Наші гарантійні зобов'язання поширюються тільки на несправності, виявлені протягом гарантійного терміну і викликані дефектами виробництва та \ або матеріалів.
7. Гарантійні умови не поширюються на несправності виробу, що виникли в результаті:
  - 7.1 Недотримання користувачем приписів інструкції з експлуатації виробу, застосування виробу не за призначенням, неправильного зберігання, використання приладдя, витратних матеріалів і запчастин, що не передбачені виробником.
  - 7.2 Механічного пошкодження (відколи, тріщини і руйнування) внутрішніх і зовнішніх деталей виробу, основних і допоміжних рукояток, мережевого кабелю, що викликані зовнішнім ударним або будь-яким іншим впливом

- 7.3 Потрапляння у вентиляційні отвори та проникнення всередину виробу сторонніх предметів, матеріалів або речовин, що не є відходами, які супроводжують застосування виробу за призначенням, такими як: стружка, тирса, пісок, та ін.
- 7.4 Впливу на виріб несприятливих атмосферних і інших зовнішніх факторів, таких як дощ, сніг, підвищена вологість, нагрівання, агресивні середовища, невідповідність параметрів електромережі, що зазначені на інструменті.
- 7.5 Стихійного лиха. Пошкодження або втрати виробу, що пов'язані з непередбаченими лихами, стихійними явищами, у тому числі внаслідок дії непереборної сили (пожежа, блискавка, потоп і інші природні явища), а також внаслідок перепадів напруги в електромережі та іншими причинами, які знаходяться поза контролем виробника.
8. Гарантійні умови не поширюються:
  - 8.1. На інструменти, що піддавалися розкриттю, ремонту або модифікації поза уповноваженим сервісним центром.
  - 8.2. На деталі, вузли та матеріали, що мають сліди природного зносу, такі як: приводні ремені і колеса, вугільні щітки, мастило, підшипники, зубчасті зчеплення редукторів, гумові ущільнення, сальники, направляючі ролики, муфти, вимикачі, бойки, штовхачі, стволи тощо.
  - 8.3. На змінні частини: патрони, цанги, затискні гайки і фланці, фільтри, акумуляторні батареї, ножі, шліфувальні підшви, ланцюги, зірочки, пильні шини, захисні кожухи, пилки, абразиви, пильні і абразивні диски, фрези, свердла, бури тощо
  - 8.4. На несправності, що виникли в результаті перевантаження інструменту (як механічного, так і електричного), що спричинили вихід з ладу одночасно двох і більше деталей і вузлів, таких як: ротора і статора, обох обмоток статора, веденої і ведучої шестерень редуктора або інших вузлів і деталей. До безумовних ознак перевантаження виробу відносяться, крім інших: поява кольорів мінливості, деформація або оплавлення деталей і вузлів виробу, потенційна або обуглювання ізоляції проводів електродвигуна під впливом високої температури.



Виробник:

"Stanley Black & Decker Deutschland GmbH" Black-&-Decker Str.40, D-65510 Idstein, Німеччина



## Names & Addresses for STANLEY Service Concessionaries - MIDDLE EAST & AFRICA

**ALGERIA:** Sarl Outillage Corporation, 08 Rue Med Boudiaf - Cheraga - Algiers, Algeria. Tel: (213-21) 375130, Fax: (213-21) 369667. **ANGOLA:** Angoferraria, Lda., Rua Robert Shields, No. 61, Luanda, Angola. Tel: 00244-222-395837 / 222-395034, Fax: 00244-222-394790. **AZERBAIJAN:** Royalton Holdings Ltd. 41 Khagani St. Apt. 47 AZ 1001, Baku. Tel: (994-12) 4935544, Fax: (994-12) 5980378. **BAHRAIN:** Kavalani & Sons W.L.L., P.O. Box 71, Sitra, Manama, Tel: (973) 17732888, Fax: (973) 17737379. Alfouz Services Co. W.L.L., P.O. Box 26562, Tubli, Manama. Tel: (973) 17783562, Fax: (973) 17783479. **EGYPT:** El Farab S.A.E., 15-Nabil El Wakkad Street, Dokki, Giza, Egypt. Tel: 00202-37603946 / 002-010-2582544, Fax: 00202-33352796. **ETHIOPIA:** Seif Tewfik Sherif, Arada Sub-City, Kebele 01/02, Global Insurance Building, 2nd Floor, Room 43, P.O. Box 2525, Addis Ababa, Ethiopia. Tel: (251-11) 1563968/ 1563969, Fax: (251-11) 1558009. **IRAQ:** Financial Links, Kazzaz Building Ararat Al-Hindia Block No: 629 Street: 31 Building No: 1 Baghdad - Iraq. Tel: 00964 (0)780 195 2223/ 00964 (0)781 3763044. Al Sard Co. for General Trading Ltd. Jbara Bldg. 3Flr, Al Rasheed St. Bagdad. Tel: (964) 18184102. Sakhar Group, Arrasat al-hindya Al Masbah, Baghdad. (964) 7400144446. **JORDAN:** Palestine Bldg. Matl. (Bashiti Hardware), 93 King Abdullah 2nd Street. Opp. ELBA House, P.O. Box 3005, Amman 11953, Tel: (962-6) 5349098, Fax: (962-6) 5330731. **KENYA:** Dextron Tools Ltd., P.O. Box 20121-00200, Shariff House, Kimathi Street, Nairobi. Tel: (254-20) 6905000/ 2358021, Fax: (254-20) 6905111/ 6905112. **KUWAIT:** Al Omar Technical Co., P.O. Box 4062, 13041 Safat, Kuwait. Tel: (965) 24848595/ 24840039, Fax: (965) 24845652. Fawaz Al Zayani Establishment, P.O. Box 42426, Shop No. 18, Al Humaizi Commercial Complex, Khalifa Al Jassim, Shuwaikh, Kuwait. Tel: (965) 24828710, Fax: (965) 24828716. Fawaz Al Zayani Establishment, P.O. Box 42426, Shop No.18, Al Humaizi Commercial Complex, Khalifa Al Jassim, Shuwaikh, Kuwait. Tel: (965) 24828710, Fax: (965) 24828716. Fawaz Al Zayani Establishment, Fahaheel Industrial Area, Main St., Sanaya, Kuwait. Tel: (965) 23925830, Fax: (965) 24828716. **LEBANON:** Est. Shaya & Azar S.A.R.L., Boulevard Jdeideh - Mar Takla - Bouchrieh. P.O. Box 90545 Jdeideh.Beirut - Lebanon. Tel: 00961 1 872305 / 306 , Fax: 00961 1 872303. **LIBYA:** North Africa Trading ( El Ghoul Brothers), AlHilal Service Center Tawergha St. Misurata. Tel: 00218-091-3221408. **(Benghazi)** Sniydal st., Amr Ibn El-Aas Rd. Tel: (+218) 92 5771120. **(Tripoli)** Al Barniq Service Center, Mokhazin elskar st., ElFallah. Tel: (+218) 21 4808019. **(Misrata)** Al Hilal Service Center, Tawergha st. Tel: (+218) 51 2626743. **MAURITIUS:** Robert Le Marie Limited, Old Moka Road, Bell Village, P.O. Box 161, Port Louis, Tel: 00230-212 1865/ 212 2847, Fax: 00230-2080843. **MOROCCO:** Ets Louis Guillaud & Cie, 149, Quartier Industriel, Moulay Rachid, Casablanca, Postal Code 20450, Morocco. Tel: 00212-522729233, Fax: 00212-522729096. **NIGERIA:** Meridian Power Tools Ltd., Gr.Floor, #1 Alhaji Masha Rd, Next to Teslim Balogun Stadium, Near National Stadium Surulere, Lagos, Nigeria. Tel: 00234-1-7740431 / 7740410, Fax: 00234-1-7913798. **OMAN:** Al Jizzi Company LLC, P.O. Box 1704, PC 112 Ruwi, Oman. Tel: (968) 24832618/ 24835153, Fax: (968) 24831334/24836460. Al Hassan Technical & Construction Supplies Co. LLC, P.O. Box 1948, P.C. 112, Ruwi, Tel: (968) 24810575 / 24837054, Fax: (968) 24810287/ 24833080. Oman Hardware Co. LLC, P.O. Box 635, Ruwi Postal Code 112, Tel: (968) 24815131, Fax: (968) 24816491. Khimji Ramdas, P.O. Box 19, Post Code 100, Ghala, Muscat, Oman. Tel: (968) 24595906/ 907, Fax: (968) 24852752. Oman Marketing & Service Co. (Omasco), P.O. Box 2734, Behind Honda Showroom, Wattayah, Oman. Tel: (968) 24560232/ 24560255, Fax: (968) 24560993. Oman Marketing & Service Co. (Omasco), Al Ohi, Sohar, Oman. Tel: (968) 26846379, Fax: (968) 26846379. Oman Marketing & Service Co. (Omasco), Sanaya, Salalah, Oman. Tel: (968) 23212290, Fax: (968) 23210936. **PAKISTAN:** ZIT Co - Nasir & Bros., 2nd Floor, Qadri Center, Chokwal Dargan Railway Road, Lahore, Pakistan. Tel: 0092 42 37670839, Fax: 0092 42 37652989. Ammar Service & Spares, 60-Bank Arcade, Serai Road, Karachi, Pakistan. Tel: (92-21) 32426905, Fax: (92-21) 32427214. **QATAR:** Teyseer Industrial Supplies & Services Co. W.L.L, 55, Al Wakalat St. (Between St. 18 & 19) Salwa Industrial Area, P.O. Box 40523 Doha, Qatar. Tel: (974) 44581536, Fax: (974) 44682024. Shaheen Electrical Works & Trading Co. W.L.L, Gate 34, St. 44 Industrial Area P.O. Box 9756, Doha, Qatar. Tel: (974) 44600230 / 44600525, Fax: (974) 44601338. Al Mufthah Service Centre, Al Wakrah Road, P.O. Box 875, Doha, Qatar. Tel: (974) 44650880/ 44650110/ 44446868, Fax: (974) 44441415 / 44662599. **SAUDI ARABIA: (Al Bahr)** Mohamed Ahmed Bin Afif Est., P.O. Box 530, Yanbu, Al Bahr. Tel: (966-4) 3222626/ 3228867, Fax: (966-4) 3222210. **(Al Khobar)** Fawaz Ebrahim Al Zayani Trading Est., P.O. Box 76026, Al Khobar # 31952, Tel: (966-3) 8140914, Fax: (966-3) 8140824. MSS (Al-Mojil Supply & Services) P.O. Box 450, Jubail 31951, Opp. Gulf Bridge Library & Riyadh House. Tel: (966-3) 3612850/ 3624487/ 3621729, Fax: (966-3) 3623589/ 3620783. **(Dammam)** MSS (Al-Mojil Supply & Services), P.O. Box 450, Jubail 31951, Opp-Gulf Bridge Library & Riyadh House. Tel: (966-3) 3612850 / 3624487 / 3621729, Fax: (966-3) 3623589 / 3620783. **(Al Bawardi Tools & Hardware)**, P.O. Box 112, Dammam, Tel: (966-3) 8330780 Ext.24 / 8348585 Ext. 24 / +966-3-8335555, Fax: (966-3) 8336303. **(Al Hassa)** Mutawa Trading & Gen. Services, Maliki road Hafuf city, Al Hassa, KSA. Tel: (966-6) 502846275 **(Jeddah)** Al Bawardi Tools & Hardware, P.O. Box 16905, Jeddah 21474, Tel: (966-2) 6444547 / 6439035 / 6456095, Fax: (966-2) 6439024. EAC (Al Yousef Contg. & Trdg. Est.), P.O. Box 30377, Jeddah -21477, Tel: (966-2) 6519912, Fax: (966-2) 6511153. **(Madina)** Garziz Trading for Bldg Mat & Decoration, P.O. Box 3364, Madina. Tel: (966-4) 826 14 90 / 8227636, Fax: (966-4) 8265741. **(Riyadh)** Industrial Material Organization (IMO), P.O. Box 623, Rial Street, Riyadh, Tel: (966-1) 4028010 Ext 26 / 8001245757, Fax: (966-1) 4037970. Sultan Garment Factory (RSC), P.O. Box 29912, Riyadh 11467, KSA, Tel: (966-1) 4055148 / 4042889, Fax: (966-1) 4055148. Al Bawardi Tools & Hardware, P.O. Box 68, Riyadh 11411, Tel: (966-1) 4484999, Fax: (966-1) 4487877. **(Yanbu)** Fawaz Ebrahim Al Zayani, Opposite to Al Fouzan, Jeddah highway or King Abdul Aziz road, Yanbu. Tel: (966-4) 3960980, Fax: (966-4) 3961980. Mohamed Ahmed Bin Afif Est., P.O. Box 530, Yanbu, Al Bahr, Tel: (966-4) 3222626/ 3228867, Fax: (966-4) 3222210. **SOUTH AFRICA:** Stanley Black & Decker - RSA, 199 Winetree Drive Stormill Exit 9 Rooodepoort. Tel: (2711) 472 0454, Fax: (2711) 472 0482. Trevco Power Tool Service 14 Steenbok Street, Koedoespoort, 0186, Pretoria, South Africa. Tel: (27-86) 1873826, Fax: (27-86) 5001771. **TANZANIA:** General Motors investment Ltd., P.O. Box 16541, 14 Nyerere Road, Vingunguti, Dar-es-Salaam. Tel: (255 22) 2862661/ 2865022, Fax: (255 22) 2862667. **TUNISIA:** Societe Tunisienne De Maintenance (STM), Rue de la Physique. Nouvelle Zone Industrielle Ben Arous., 2013 Ben Arous, Tunisia. Tel: (+216) 79 389687, Fax: (+216) 71 385154. **UAE: (Abu Dhabi)** Light House Electrical, P.O. Box 120, Abu Dhabi. Tel: (971-2) 6726131, Fax: (971-2) 6720667. Galaxy Equipment Trading, Madinat Zayed (Baada Zaid), Abu Dhabi P.C. 58910, Tel: (971-2) 8844279, Fax: (971-2) 8844297 **(Ajman)** Al Sukoon Gen. Trdg. Co. LLC, P.O. Box 2975, Ajman. Tel: (971-6) 7435725/ 7438317, Fax: (971-6) 7437350, Al Sukoon Gen. Trdg. Co. LLC, P.O. Box 2975, Ajman, Tel: (971-6) 7435725 / 7438317, Fax: (971-6) 7437350 **(Al Ain)** Zillion Equipment and Spare Parts Trading LLC, P.O. Box 19740, Opp. Bin Sada/ Trimix Redymyic Sanaiya, Al Ain, Tel: (971-3) 7216690, Fax: (971-3) 7216103. **(Dubai)** Black & Decker (Overseas) GmbH, P.O. Box 5420, Dubai. Tel: (971-4) 8127400/ 8127406, Fax: (971-4)2822765. Ideal Star Workshop Eqp't.Trading LLC, P.O. Box 37116, Al Quoz, Dubai. Tel: (971-4) 3474160, Fax: (971-4) 3474157, Fine Tools, P.O.Box 30139, Al Quoz, Dubai, Tel: (971-4) 3385240, Fax: (971-4) 3385239, Albreah Engineering Service, P.O. Box 78954, Al Qusais , Dubai. Tel: (971-4) 2850044, Fax: (971-4) 2844802. **(Musafah)** Light House Electrical, P.O. Box 120, Abu Dhabi. Tel: (971-2) 5548315, Fax: (971-2) 5540461. **(Sharjah)** Mc Coy Middle East LLC, P.O. Box 25793, Sharjah, Tel: (971-6) 5395931, Fax: (971-6) 5395932. Burj Al Madeena, Industrial Area No.1, Opp. Pakistani Masjid, P.O. Box 37635, Sharjah. Tel: (971-6) 5337747, Fax: (971-6) 5337719. Burj Al Madeena , Industrial Area No 1, opp Pakistani Masjid P.O. Box 37635, Sharjah, Tel: (971-6) 5337747, Fax: (971-6) 5337719 **(Ras Al Khaimah)** Mc Coy Middle East LLC, P.O. Box 10584, Ras Al Khaimah, Tel: (971-7) 2277095, Fax: (971-7) 2277096. **UGANDA:** The Building Center (U) Ltd., 52 Station Road, Kitgum House, P.O. Box 7436, Kampala, Uganda. Tel: (256-41) 4234567/ 4259754, Fax: (256-41) 4236413. **YEMEN: (Aden)** Middle East Trad. Co. Ltd. (METCO), Mualla Dakka, Aden, Yemen. Tel: (967-2) 222670, Fax: (967-2) 222670. **(Sana'a)** Middle East Trad. Co. Ltd. (METCO), Hayel St., Sana'a, Yemen. Tel: (967-1) 204201, Fax: (967-1) 204204. **(Taiz)** Middle East Trading Co. (METCO), P.O. Box 12363, 5th Flr, Hayel Saeed Anam Bldg, Al-Mugamma St. Taiz, Yemen. Tel: (967-4) 213455, Fax: (967-4) 219869.