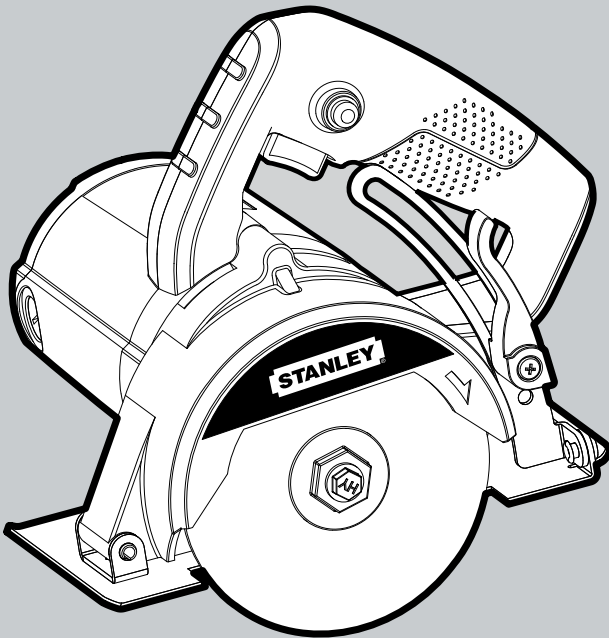
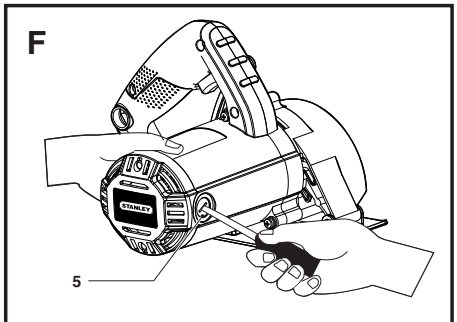
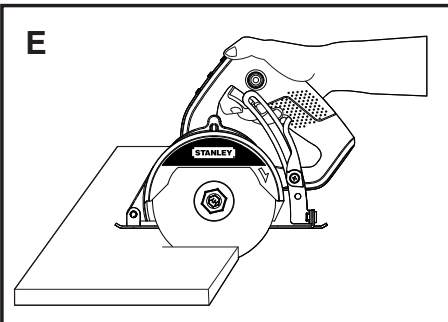
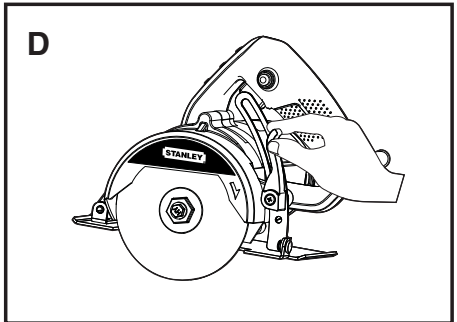
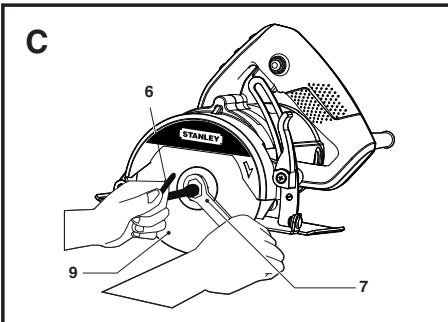
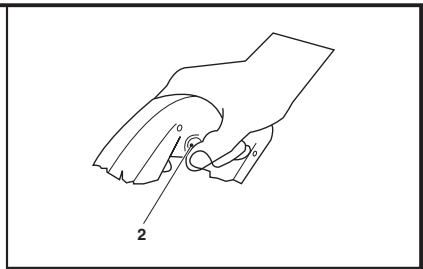
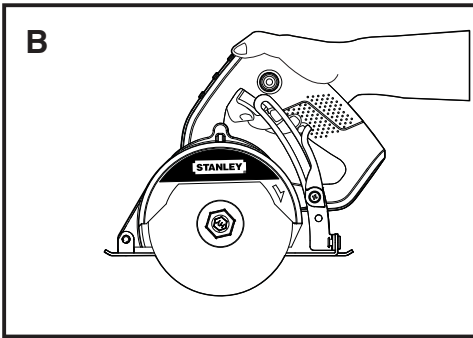
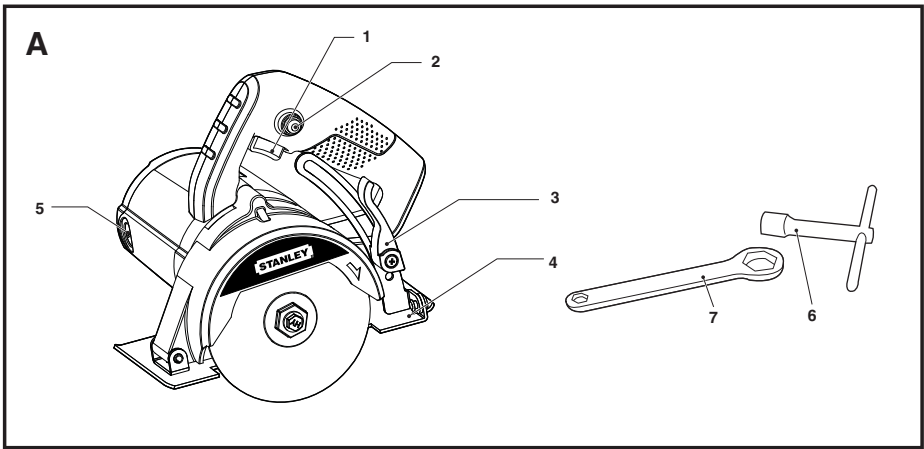


STANLEY

®





STEL785 110mm Tile/Marble Cutter

TECHNICAL DATA

SPECIFICATION	STEL785	
POWER	W	1,200
NO-LOAD SPEED	/min	13,500
WHEEL DIAMETER	mm	110
MAX. DEPTH OF CUT	mm	34
WEIGHT	kg	2.69
CABLE LENGTH	m	2

INTENDED USE

Your Stanley tile cutter has been designed for cutting applications.

GENERAL SAFETY RULES

Warning! Read all instructions. Failure to follow all instructions listed below may result in electric shock, fire and/or serious injury. The term "power tool" in all of the warnings listed below refers to your mains operated (corded) power tool or battery operated (cordless) power tool.

SAVE THESE INSTRUCTIONS.

1. Work area

- a. **Keep work area clean and well lit.** Cluttered and dark areas invite accidents.
- b. **Do not operate power tools in explosive atmospheres, such as in the presence of flammable liquids, gases or dust.** Power tools create sparks which may ignite the dust or fumes.
- c. **Keep children and bystanders away while operating a power tool.** Distractions can cause you to lose control.

2. Electrical safety

- a. **Power tool plugs must match the outlet. Never modify the plug in any way. Do not use any adapter plugs with earthed (grounded) power tools.** Unmodified plugs and matching outlets will reduce risk of electric shock.
- b. **Avoid body contact with earthed or grounded surfaces such as pipes, radiators, ranges and refrigerators.** There is an increased risk of electric shock if your body is earthed or grounded.
- c. **Do not expose power tools to rain or wet conditions.** Water entering a power tool will increase the risk of electric shock.
- d. **Do not abuse the cord. Never use the cord for carrying, pulling or unplugging the power tool. Keep cord away from heat, oil, sharp edges or moving parts.** Damaged or entangled cords increase the risk of electric shock.
- e. **When operating a power tool outdoors, use an extension cord suitable for outdoor use.** Use of a cord suitable for outdoor use reduces the risk of

electric shock.

- f. **If operating a power tool in a damp location is unavoidable, use a residual current device (RCD) protected supply.** Use of an RCD reduces the risk of electric shock.
3. **Personal safety**
 - a. **Stay alert, watch what you are doing and use common sense when operating a power tool. Do not use a power tool while you are tired or under the influence of drugs, alcohol or medication.** A moment of inattention while operating power tools may result in serious personal injury.
 - b. **Use safety equipment. Always wear eye protection.** Safety equipment such as dust mask, non-skid safety shoes, hard hat, or hearing protection used for appropriate conditions will reduce personal injuries.
 - c. **Avoid accidental starting. Ensure the switch is in the off position before plugging in.** Carrying power tools with your finger on the switch or plugging in power tools that have the switch on invites accidents.
 - d. **Remove any adjusting key or wrench before turning the power tool on.** A wrench or a key left attached to a rotating part of the power tool may result in personal injury.
 - e. **Do not overreach. Keep proper footing and balance at all times.** This enables better control of the power tool in unexpected situations.
 - f. **Dress properly. Do not wear loose clothing or jewellery. Keep your hair, clothing and gloves away from moving parts.** Loose clothes, jewellery or long hair can be caught in moving parts.
 - g. **If devices are provided for the connection of dust extraction and collection facilities, ensure these are connected and properly used.** Use of these devices can reduce dust related hazards.
 4. **Power tool use and care**
 - a. **Do not force the power tool. Use the correct power tool for your application.** The correct power tool will do the job better and safer at the rate for which it was designed.
 - b. **Do not use the power tool if the switch does not turn it on and off.** Any power tool that cannot be controlled with the switch is dangerous and must be repaired.
 - c. **Disconnect the plug from the power source and/or the battery pack from the power tool before making any adjustments, changing accessories, or storing power tools.** Such preventive safety measures reduce the risk of starting the power tool accidentally.
 - d. **Store idle power tools out of the reach of children and do not allow persons unfamiliar with the power tool or these instructions to**

starting the power tool accidentally

- d. **Store idle power tools out of the reach of children and do not allow persons unfamiliar with the power tool or these instructions to operate the power tool.** Power tools are dangerous in the hands of untrained users.
 - e. **Maintain power tools. Check for misalignment or binding of moving parts, breakage of parts and any other condition that may affect the power tools operation. If damaged, have the power tool repaired before use.** Many accidents are caused by poorly maintained power tools.
 - f. **Use the power tool, accessories and tool bits etc., in accordance with these instructions, taking into account the working conditions and the work to be performed.** Use of the power tool for operations different from those intended could result in a hazardous situation.
5. **Service**
- a. **Have your power tool serviced by a qualified repair person using only identical replacement parts.** This will ensure that the safety of the power tool is maintained.

Additional Safety Instructions for Tile/Marble Cutters



⚠ CAUTION: Hold tool by insulated gripping surfaces when performing an operation where the cutting tool may contact hidden wiring or its own cord. Contact with a "live" wire will make exposed metal parts of the tool "live" and shock the operator.

1. **Always keep your hands away from the cutting area and the diamond disk.** Always keep the other hand on the side handle. If you hold the tool with both hands, your hands will not be injured by the disk.
2. **Do not touch the underside of the work** because the guard cannot protect the part of the disk under the work.
3. **Always use a diamond disk with well-matched size and center (diamond or circular shape).** Mismatched disk and holder will result in eccentric operation out of control.
4. **Do not use any washer or bolt that is damaged or unfit in size;** otherwise you will lose control of operation.
5. **Do not use any grinding wheel.**
6. **Do not use any diamond disc that does not conform to the Manufacturer's stipulations.**
7. **Do not use any cutting disk that has been damaged, distorted or cracked.**
8. **Do not operate the tool without the fixed guard.**


9. **Do not start the tool with the disk touching the work.**
10. **When switching off the tool, do not put down the tool until the disc completely stops running, nor should any external force be exerted to stop the disk.**
11. **Disconnect the plug from the power source and ensure the diamond disk stand still when replacing the disc, adjusting the cutting depth or water pipe, or repairing the tool.**
12. **Only hold the tool by its insulated gripping surface when the diamond disk is possibly cutting through concealed wires or its own cord.** If the diamond disk touches a "live" wire, the tool's exposed metal parts may be energized and thus shock the operator.
13. **Be especially cautious when "blind cutting" through walls or other blind areas** because the diamond disk may cut gas or water piping, wires or resilient objects.

Symbols

The label on your tool may include the following symbols:

VVolts
AAmperes
HzHertz
WWatts
minminutes
~Alternating current
—Direct current
n_0No load speed
Class II Construction
Safety alert symbol
.../minRevolutions or reciprocations per minute

Double Insulation

 The tool is double insulated. This means that all the external metal parts are electrically insulated from the mains power supply. This is done by placing insulated barriers between the electrical and mechanical components so as to making unnecessary for the tool to be earthed.

NOTE: Double insulation does not take the place of normal safety precautions when operating this tool. The insulation system is for added protection against injury resulting from a possible electrical insulation failure within the tool.

Electrical Safety

The electric motor has been designed for one voltage only. Always check that the power supply corresponds to the voltage on the rating plate.


Using an Extension Cable

An extension cable should not be used unless absolutely necessary. Use of an improper extension cable could result in a risk of fire and electric shock. If an extension cable must be used, use only those that are approved by the country's Electrical Authority. Make sure that extension cord is in good condition before using. Always use the cord that is suitable for the power input of your tool (see technical data on name plate). The minimum conductor size is 1mm²; the maximum length is 30m. When using a cable reel, always unwind the cable completely.

Features (Fig. A)

1. On / off switch
2. Lock-on button
3. Depth-of-cut adjustment lever
4. Base
5. Brush Cap
6. Socket wrench
7. Spanner


Assembly and Adjustment


 Prior to assembly and adjustment always unplug the tool.

Fitting & Removing the Diamond Wheel (Fig. C)

Fitting

- Insert the diamond wheel (9) to the spindle.
- Grip outside flange with spanner (7) and turn socket wrench (6) counterclockwise.

 Be sure to tighten clamp bolt securely.

 Use only the recommended diamond wheel with the correct hole size.


Removing


- Follow the procedure above in reverse order.

Cutting Depth Adjustment (Fig. D)

- To increase or decrease the depth of cut, loosen by pulling the Depth-of-cut adjustment lever (3) down.
- For minimum depth of cut, move/slide wing nut towards the "-" sign.
- To increase the depth of cut, move adjustment lever upwards, away from the base.
- At the desired depth of cut, secure the base by tightening the adjustment lever.
- At anytime, the depth-of-cut adjustment knob can also be set to a desired position to suit the user.

Instruction for Use

 Always observe the safety instructions and applicable regulations.

 Ensure that the depth-of-cut adjustment lever (3) is properly tightened before operating the tool.

Switching On And Off (Fig. E)

- To switch the tool on, press the on/off switch (1).
- To switch the tool off, release the on/off switch. This tool has a lock-on feature.
- To activate press the on/off switch and the then lock-on button (2).
- To de-activate press the on/off button again. Always switch off the tool when work is finished and before unplugging.

Cutting (Fig. E)

- Align the edge of the front of the base with the cutting line on the work piece. Hold the tool firmly.
- Set the base on the work piece to be cut without the wheel making any contact.
- Turn tool on and wait until the wheel attains full speed.
- Move the tool forward over the work piece surface, advancing smoothly until the cut is completed.
- Keep the cutting line straight.
- **This tool should only be used on horizontal surfaces.**
- Be sure to move the tool gently forward, in a straight line. Forcing, or exerting excessive pressure, or allowing the wheel to bend, pinch or twist in the cut can cause the motor to over heat and tool to kickback dangerously.
- **When cutting the work piece over 20mm deep, make 2 or 3 separate cuts to prevent motor failure.**


Maintenance

Your Stanley power tool has been designed to operate over a long period of time with a minimum of maintenance. Continuous satisfactory operation depends upon proper tool care and regular cleaning.

Motor Brushes (Fig. F)

- Remove and check carbon brushes regularly. Replace when they have worn down to about 6mm or less.
- Keep carbon brushes clean for free movement in the holder. Both carbon brushes should be replaced at the same time.
- Use only Stanley carbon brushes. Use a screwdriver to remove brush caps (5).
- Take out worn brushes, insert new ones, and secure the brush caps.

Cleaning

 **Warning:** unplug the tool before you use a cloth to clean the housing. With the motor running, blow dirt and dust out of all air vents with dry air at least once a week. Wear safety glasses when performing this. Exterior plastic parts may be cleaned with a damp cloth and mild detergent. Although these parts are highly solvent resistant, NEVER use solvents.

Tool Care

Avoid overloading the machine. Overloading will result in a considerable reduction in speed and efficiency and the unit will become hot. In this event, run the machine at no load for a minute or two until cooled to normal working temperature by the built in fan. Switching your machine on and off whilst under load will considerably reduce the life of the switch.


Important

To ensure product SAFETY and RELIABILITY, repairs, maintenance and adjustment (other than those listed in this manual) should be performed by authorized service centers or other qualified organizations, always using identical replacement parts. Unit contains no user serviceable parts inside.

Accessories

The performance of any power tool is dependent upon the accessory used. Stanley accessories are engineered to high quality standards and are designed to enhance the performance of power tool. Stanley offers a large selection of accessories available at our local dealer or authorized service center at extra cost.


Note: use only accessories rated at least equal to the maximum speed marked on the tool.

 **CAUTION:** The use of any other accessory not recommended for use with this tool could be hazardous.

 **No grinding disc is allowed to use on this tool.**

 **No wood-cutting disc is allowed on this tool.**

Protecting The Environment

 Should you find one day that your tool needs replacement, or if it is of no further use to you, think of the protection of the environment. Stanley recommends you to contact your local council for disposal information.

Service Information

Stanley offers a full network of company-owned and authorized service locations throughout Asia. All Stanley Service Centers are staffed with trained personnel to provide customers with efficient and reliable power tool service. Whether you need technical advice, repair, or genuine factory replacement parts, contact the Stanley location nearest to you.

Notes

- Stanley's policy is one of continuous improvement to our products and, as such, we reserve the right to change product specifications without prior notice.
- Standard equipment and accessories may vary by country.
- Product specifications may differ by country.
- Complete product range may not be available in all countries.
- Contact your local Stanley dealers for range availability.

