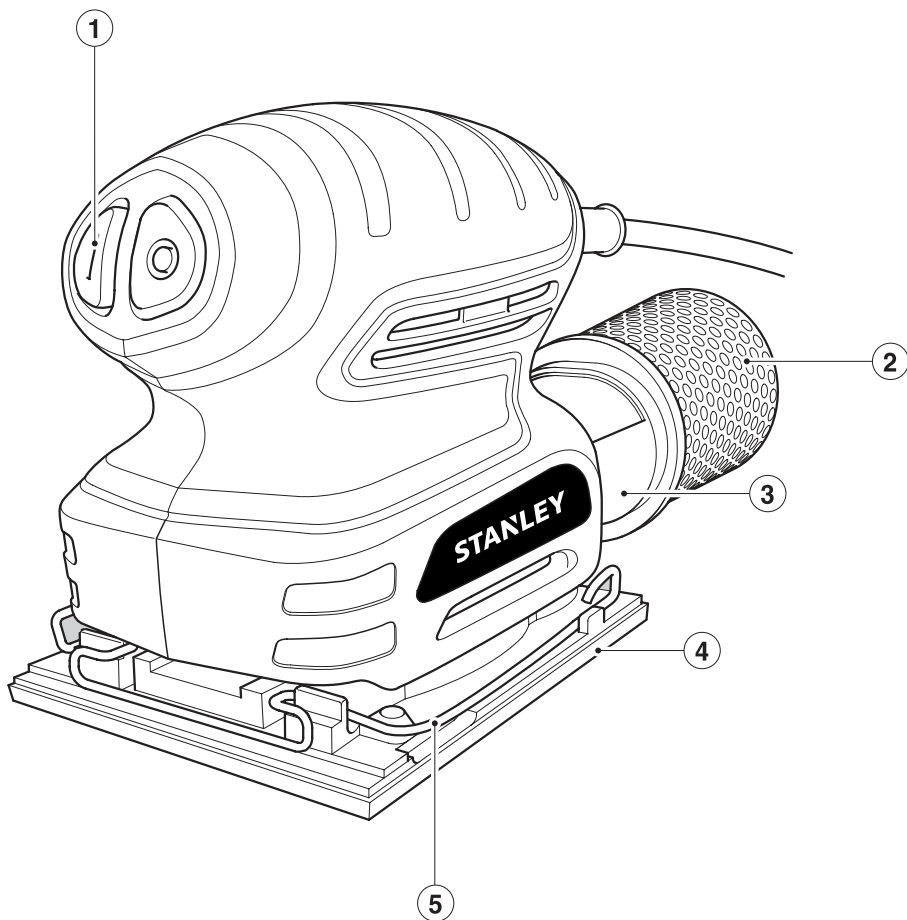


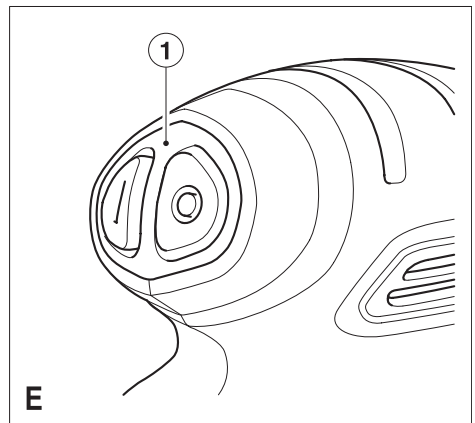
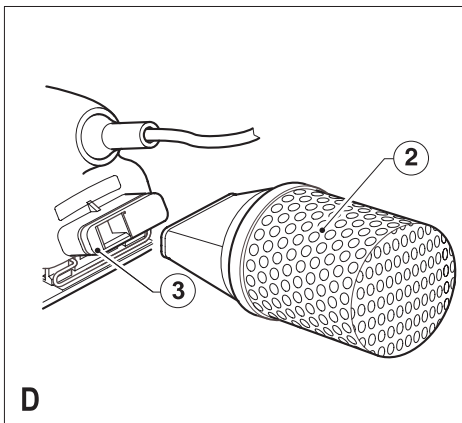
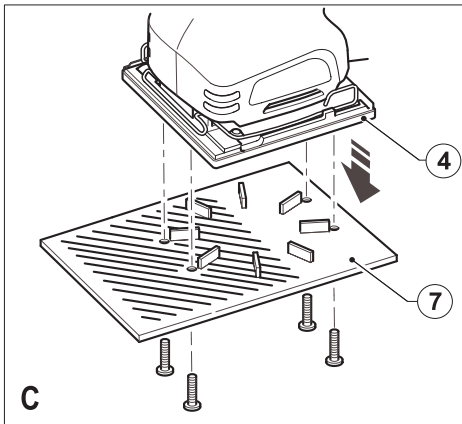
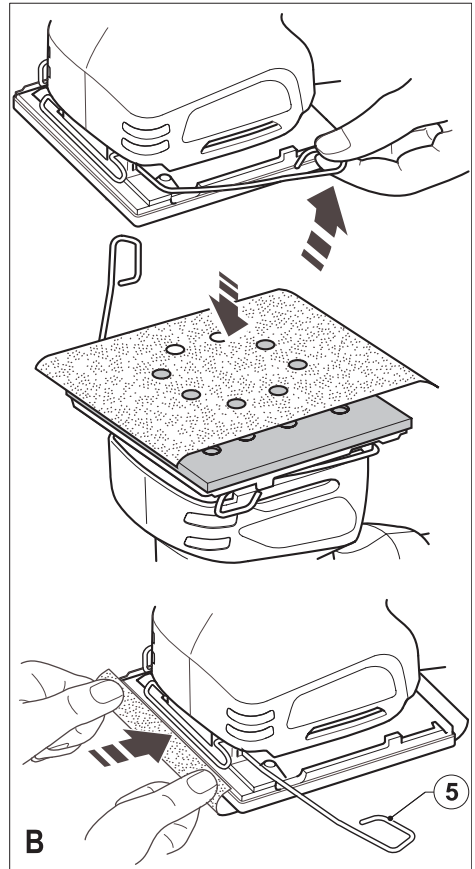
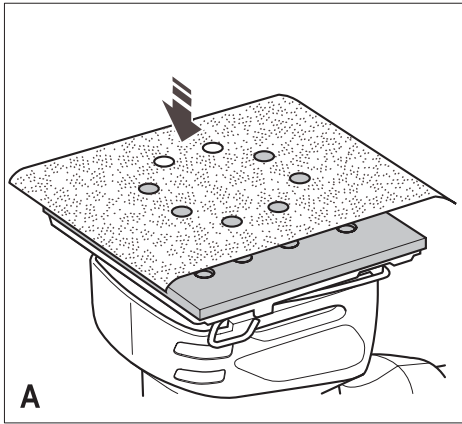
# STANLEY



STEL401

English  
繁體中文

3  
6



# STEL401 1/4 SHEET SANDER

## Technical data

		STEL401
Voltage	v	110
Power input	w	220
Orbits (no load)	/min	16000
Oscillations (no load)	/min	32000
Weight	kg	1.12

## Intended use

Your Stanley sander has been designed for sanding wood, metal, plastics and painted surfaces.

## Safety instructions

### General power tool safety warnings



**Warning! Read all safety warnings and all instructions.** Failure to follow all instructions may result in electric shock, fire and/or serious injury.

### Save all warnings and instructions for future reference.

The term "power tool" in all of the warnings listed below refers to your mains operated (corded) power tool or battery operated (cordless) power tool.

- 1. Work area safety**
  - a. Keep work area clean and well lit.** Cluttered or dark areas invite accidents.
  - b. Do not operate power tools in explosive atmospheres, such as in the presence of flammable liquids, gases or dust.** Power tools create sparks which may ignite the dust or fumes.
  - c. Keep children and bystanders away while operating a power tool.** Distractions can cause you to lose control.
- 2. Electrical safety**
  - a. Power tool plugs must match the outlet. Never modify the plug in any way. Do not use any adapter plugs with earthed (grounded) power tools.** Unmodified plugs and matching outlets will reduce risk of electric shock.
  - b. Avoid body contact with earthed or grounded surfaces such as pipes, radiators, ranges and refrigerators.** There is an increased risk of electric shock if your body is earthed or grounded.
  - c. Do not expose power tools to rain or wet conditions.** Water entering a power tool will increase the risk of electric shock.
- 3. Personal safety**
  - a. Stay alert, watch what you are doing and use common sense when operating a power tool. Do not use a power tool while you are tired or under the influence of drugs, alcohol or medication.** A moment of inattention while operating power tools may result in serious personal injury.
  - b. Use personal protective equipment. Always wear eye protection.** Protective equipment such as dust mask, non-skid safety shoes, hard hat, or hearing protection used for appropriate conditions will reduce personal injuries.
  - c. Prevent unintentional starting. Ensure the switch is in the off-position before connecting to power source and/or battery pack, picking up or carrying the tool.** Carrying power tools with your finger on the switch or energising power tools that have the switch on invites accidents.
  - d. Remove any adjusting key or wrench before turning the power tool on.** A wrench or a key left attached to a rotating part of the power tool may result in personal injury.
  - e. Do not overreach. Keep proper footing and balance at all times.** This enables better control of the power tool in unexpected situations.
  - f. Dress properly. Do not wear loose clothing or jewellery. Keep your hair, clothing and gloves away from moving parts.** Loose clothes, jewellery or long hair can be caught in moving parts.
  - g. If devices are provided for the connection of dust extraction and collection facilities, ensure these are connected and properly used.** Use of these devices can reduce dust related hazards.
- 4. Power tool use and care**
  - a. Do not force the power tool. Use the correct power tool for your application.** The correct power tool will do the job better and safer at the rate for which it was designed.
  - d. Do not abuse the cord. Never use the cord for carrying, pulling or unplugging the power tool. Keep cord away from heat, oil, sharp edges or moving parts.** Damaged or entangled cords increase the risk of electric shock.
  - e. When operating a power tool outdoors, use an extension cord suitable for outdoor use.** Use of a cord suitable for outdoor use reduces the risk of electric shock.
  - f. If operating a power tool in a damp location is unavoidable, use a residual current device (RCD) protected supply.** Use of an RCD reduces the risk of electric shock.

- b. **Do not use the power tool if the switch does not turn it on and off.** Any power tool that cannot be controlled with the switch is dangerous and must be repaired.
  - c. **Disconnect the plug from the power source and/or the battery pack from the power tool before making any adjustments, changing accessories, or storing power tools.** Such preventive safety measures reduce the risk of starting the power tool accidentally.
  - d. **Store idle power tools out of the reach of children and do not allow persons unfamiliar with the power tool or these instructions to operate the power tool.** Power tools are dangerous in the hands of untrained users.
  - e. **Maintain power tools. Check for misalignment or binding of moving parts, breakage of parts and any other condition that may affect the power tools operation. If damaged, have the power tool repaired before use.** Many accidents are caused by poorly maintained power tools.
  - f. **Keep cutting tools sharp and clean.** Properly maintained cutting tools with sharp cutting edges are less likely to bind and are easier to control.
  - g. **Use the power tool, accessories and tool bits etc. in accordance with these instructions, taking into account the working conditions and the work to be performed.** Use of the power tool for operations different from those intended could result in a hazardous situation.
5. **Service**
- a. **Have your power tool serviced by a qualified repair person using only identical replacement parts.** This will make sure that the safety of the power tool is maintained.

#### Additional power tool safety warnings



**Warning!** Additional safety warnings for sanders.

- ◆ **Hold the power tool by insulated gripping surfaces, because the sanding belt / sanding base may contact its own cord.** Cutting a "live" wire may make exposed metal parts of the power tool "live" and shock the operator.
- ◆ **Use clamps or another practical way to secure and support the workpiece to a stable platform.** Holding the work by hand or against your body leaves it unstable and may lead to loss of control.
- ◆ **Warning!** Contact with or inhalation of dust arising from sanding applications may endanger the health of the operator and possible bystanders. Wear a dust mask specifically designed for protection against dust and fumes and ensure that persons within or entering the work area are also protected.

- ◆ Thoroughly remove all dust after sanding.
- ◆ Take special care when sanding paint which is possibly lead based or when sanding some woods and metal which may produce toxic dust:
  - Do not let children or pregnant women enter the work area.
  - Do not eat, drink or smoke in the work area.
  - Dispose of dust particles and any other debris safely.
- ◆ This tool is not intended for use by persons (including children) with reduced physical, sensory or mental capabilities, or lack of experience and knowledge, unless they have been given supervision or instruction concerning use of the appliance by a person responsible for their safety. Children should be supervised to ensure that they do not play with the appliance.
- ◆ The intended use is described in this instruction manual. The use of any accessory or attachment or performance of any operation with this tool other than those recommended in this instruction manual may present a risk of personal injury and/or damage to property.

#### Labels on tools

The following pictograms are shown on the tool:



**Warning!** To reduce the risk of injury, the user must read the instruction manual.

#### Electrical safety



This tool is double insulated; therefore no earth wire is required. Always check that the power supply corresponds to the voltage on the rating plate.

- ◆ This appliance is not intended for use by young or infirm persons without supervision. Children must be supervised to ensure they do not play with the appliance.
- ◆ If the supply cord is damaged, it must be replaced by the manufacturer or an authorised Black & Decker Service Centre in order to avoid a hazard.

#### Features

1. On/off switch
2. Dust bag
3. Dust extraction outlet
4. Sanding base
5. Paper clamp lever

## Assembly

**Warning!** Before assembly, make sure that the tool is switched off and unplugged.

### Fitting sanding sheets (fig. A & B)

**Warning!** Never use the tool without a sanding sheet or accessory in place.

#### Fitting sanding sheets with nylon loops (fig. A)

**Warning!** Make sure that the tool is switched off and unplugged.

- ◆ Press the sheet firmly and evenly onto the sanding base (4), making sure that the holes in the sheet line up with the holes in the base.

#### Fitting regular sanding sheets (fig. B)

**Warning!** Make sure that the tool is switched off and unplugged.

- ◆ Soften the sanding sheet by rubbing its non-abrasive side over the edge of a worktop.
- ◆ Press the paper clamp levers (5) upwards to release them from the retaining grooves and open the paper clamps (5) by pressing them down.
- ◆ Place the sheet onto the sanding base (4).
- ◆ Insert the edge of the sanding sheet into the front paper clamp (5) as shown.
- ◆ Press the front paper clamp lever (5) downwards and locate it in the retaining groove.
- ◆ While keeping a slight tension on the sheet, insert the rear edge of the sheet into the rear paper clamp (5).
- ◆ Press the rear paper clamp lever (5) downwards and locate it in the retaining groove.

#### Louvre attachment (fig. C)

With this attachment you can work in crevices and use the sanding base on both sides.

- ◆ Locate the front of the louvre attachment (7) onto the sanding base (4).
- ◆ Secure it in position with the four screws supplied.
- ◆ Place a 1/2 sheet to the underside of the louvre base. Part of it will fold over the front part of the base.
- ◆ To remove the louvre attachment (7), reverse the procedure.

#### Fitting and removing the dustbag (fig. D)

- ◆ Fit the dustbag (2) over the dust extraction outlet (3).
- ◆ Slide the dustbag (2) onto the tool and make sure that it is securely located.
- ◆ To remove the dustbag (2), pull it to the rear and off the outlet.

## Use

**Warning!** Let the tool work at its own pace. Do not overload.

### Switching on and off (fig. E)

- ◆ To switch the tool on, press the part of the on/off switch (1) marked 'I'.
- ◆ To switch the tool off, press the part of the on/off switch (1) marked '0'.

### Emptying the dustbag

- ◆ The dustbag (2) should be emptied every 10 minutes.
- ◆ Shake the dustbag (2) to empty the contents

### Hints for optimum use

- ◆ Do not place your hands over the ventilation slots.
- ◆ Do not exert too much pressure on the tool.
- ◆ Regularly check the condition of the sanding sheet. Replace when necessary.
- ◆ Always sand with the grain of the wood.
- ◆ When sanding new layers of paint before applying another layer, use extra fine grit.
- ◆ On very uneven surfaces, or when removing layers of paint, start with a coarse grit. On other surfaces, start with a medium grit. In both cases, gradually change to a fine grit for a smooth finish.
- ◆ Consult your retailer for more information on available accessories.

## Maintenance

Your Stanley tool has been designed to operate over a long period of time with a minimum of maintenance. Continuous satisfactory operation depends upon proper tool care and regular cleaning.

**Warning!** Before performing any maintenance, switch off and unplug the tool.

- ◆ Regularly clean the ventilation slots in your tool using a soft dry brush or dry cloth.
- ◆ Regularly clean the motor housing using a clean damp cloth. Do not use any abrasive or solvent-based cleaner.

# STEL401 砂磨機

## 技術參數

砂磨機	STEL401	
電壓	伏特	110
功率	瓦特	220
迴轉數 (空載)	/分鐘	16000
震盪次數 (空載)	/分鐘	32000
重量	千克	1.12

## 設計用途

本史丹利砂磨機的設計用途是砂光木材、金屬、塑料以及油漆表面。本工具專為個人用戶使用。

## 安全須知

### 電動工具安全通則



**警告！**請閱讀所有安全警示與須知內容。如未能遵守以下任何指導內容，會導致觸電、火災或嚴重的人身傷害。

請妥善保管所有警示與須知，以備將來參考使用。下列警告提示中的術語“電動工具”指電驅動（有線）電動工具或電池驅動（無線）電動工具。

### 1. 工作場地

- 保持工作場地清潔和明亮。混亂和黑暗的場地會引發事故。
- 請勿在易爆環境，如有易燃液體、氣體或粉塵的環境下操作電動工具。電動工具產生的火花會點燃粉塵或氣體。
- 操作電動工具時請遠離兒童和旁觀者。注意力不集中會導致工具失控。

### 2. 電氣安全

- 電動工具插頭必須與插座相配。請勿以任何方式改裝插頭。需接地的電動工具不能使用任何轉換插頭。原裝的插頭和相配的插座將減少觸電危險。
- 避免人體接觸接地表面，如管道、散熱片和冰箱。身體接地會增加觸電危險。
- 請勿將電動工具暴露在雨中或潮濕環境中。電動工具接觸水將增加觸電危險。
- 請勿濫用電源線。絕不能用電源線搬運、拉動電動工具或拔出其插頭。讓電源線遠離熱、油、銳邊或運動部件。受損或纏繞的電源線會增加觸電危險。
- 當在戶外使用電動工具時，請使用適合戶外使用的延長電線。適合戶外使用的電線將減少觸電危險。

- 如果在潮濕的環境中使用電動工具，請使用漏電保護裝置（RCD），使用此裝置可降低觸電危險。
  - 建議使用額定剩餘電流小於等於30毫安的剩餘電流漏電保護器。
- 人身安全**
    - 保持警覺，當操作電動工具時關注所從事的操作並保持清醒。切勿在有疲倦、藥物、酒精或治療反應下操作電動工具。在操作電動工具期間精力分散會導致嚴重人身傷害。
    - 使用安全裝置，始終配戴護目鏡。在適當條件下使用防塵面具、防滑安全鞋、安全帽、聽力防護等裝置能減少人身傷害。
    - 避免意外運動。確保工具在接入電源/電池、攜帶時開關處於關閉狀態。手指放在已接通電源的開關上火開關處於接通時插入電源可能會導致危險。
    - 在電動工具起動之前，取掉所有調節鑰匙或扳手。遺留在電動工具旋轉零件上的扳手或鑰匙會導致人身傷害。
    - 不要超越操作距離。時刻注意身體平衡，這樣在意外情況下能更好地控制電動工具。
    - 合理著裝，操作工具時不要穿寬鬆衣服或佩帶飾品。讓你的頭髮、衣服和袖子遠離運動部件。寬鬆服裝、佩飾或長發可能會捲入運動部件。
    - 如果電動工具提供了與排屑裝置、集塵設備連接用的裝置，則確保他們連接完好且使用得當。使用這些裝置可減少碎屑引起的危險。
  - 電動工具使用和注意事項**
    - 不要濫用電動工具，根據用途選用適當的電動工具。合適的電動工具能在其額定的參數下更好更安全的完成作業。
    - 如果開關不能接通或關閉工具電源，則不能使用該電動工具。不能用開關來控制的電動工具是危險的且必須進行修理。
    - 在進行任何調節、更換附件或存放電動工具之前，必須從電源上拔掉插頭和/或將電池盒脫開。這種防護性措施將減少電動工具意外起動的危險。
    - 將閒置電動工具貯存在兒童所及範圍之外，並且不要讓不熟悉電動工具或對這些說明不了解的人操作電動工具。電動工具在未經培訓的用戶手中是危險的。
    - 對電動工具進行維護。檢查運動部件的安裝偏差、零件破損情況和影響電動工具運行的其它條件。如有損壞，電動工具必須在使用前修理好。許多事故是由於維護不良而引發。

- f. 保持刀具具有良好鋒利的切削刃，這樣工具不易卡死且易控制。
  - g. 按照作業條件和工況情況，同時參照本說明書合理使用工具，附件及刀具。電動工具用作那些與要求不符的操作可能會導致危險情況。
5. 維修
- a. 電動工具的維修必須由專業維修人員完成，且只能更換使相同規格的部件。這樣能確保所維修的電動工具的安全性。

## 電動工具安全通則



**注意！** 砂光機安全附則。

- ◆ 緊固件可能接觸隱藏的導線時，請僅握持絕緣的把手錶面。如果緊固件接觸“帶電”導線，工具暴露金屬部件的表面會“帶電”，並且導致操作員觸電。
- ◆ 請使用夾鉗或其它切實可行的方法來固定和支撐工件，將其固定到穩定的工作台上。用手抓住工件或用身體抵住工件並不穩定，可能會導致工件失控。
- ◆ 警告！砂光作業會產生粉塵，如果不慎與之接觸或吸入，會危害操作人員甚至周圍人員的健康。請佩戴專用防塵面罩，並保證工作區內人員和進入工作區的人員也採取保護措施。
- ◆ 砂光作業後，請徹底清除所有粉塵。
- ◆ 打磨可能含鉛的油漆、或打磨某些可能產生有害粉塵的木材與金屬時，必須格外小心：
  - 禁止兒童或孕婦進入工作區域。
  - 禁止在工作區內吃、喝、抽煙。
  - 安全處理粉塵顆粒及其它碎屑。
- ◆ 除非其安全負責人進行工具使用的監督或指導，否則體力、感知能力或心智不足的人（包括兒童），或缺乏相關經驗與知識的人不得使用本工具。必須看管兒童，勿使其拿本工具玩耍。
- ◆ 本指導手冊已經說明了預定用途。如果配件或附件的使用、本工具的操作超出本指導手冊建議的範圍，則可能出現人身傷害和/或財產損壞風險。

## 工具上的標誌

本工具有如下圖形標誌：



**警告！** 為降低傷害風險，使用前務必閱讀使用手冊。

## 電氣安全：



本工具為雙重絕緣，因此無須接地線。隨時檢查並確保電源電壓與銘牌上的使用電壓相符。

- ◆ 如果電源線損壞，必須由廠商或史丹利授權服務中心更換，以排除隱患。

## 特性

1. On/off開關
2. 集塵袋
3. 排塵口
4. 打磨底座
5. 砂紙夾緊桿

## 組裝

**警告！** 組裝前，請確保工具開關關閉並拔下電源插頭。

## 安裝砂紙（圖A和B）

**警告！** 禁止在不裝砂紙或配件的情況下使用本工具。

## 帶尼龍環砂紙的安裝(圖A)

**警告！** 請確保工具開關關閉並拔下電源插頭。

- ◆ 把砂紙牢固、均勻地按入打磨底座（4）內，並確保砂紙上的孔與底座上的孔對正。

## 安裝普通砂紙(圖B)

**警告！** 請確保工具開關關閉並拔下電源插頭。

- ◆ 把砂紙的非打磨面在工作台的邊緣摩擦，使其變軟。
- ◆ 把砂紙夾緊桿（5）向上按，把它們從卡槽中釋放出來，然後向下按夾緊桿（5），將其打開。
- ◆ 把砂紙放到打磨底座（4）上。
- ◆ 如圖所示，把砂紙的邊緣插入前砂紙夾（5）。
- ◆ 向下按前砂紙夾緊桿（5），將其定位於卡槽內。
- ◆ 輕微拉緊砂紙的同時，把砂紙的後邊緣插入後砂紙夾（5）內。
- ◆ 向下按後砂紙夾緊桿（5），將其定位於卡槽內。

## 集塵袋的安裝與拆卸（圖D）

- ◆ 把集塵袋（2）對準排塵口（3）。
- ◆ 把集塵袋（2）滑動安裝到工具上，確保其牢固固定。
- ◆ 要拆卸集塵袋（2），將其向後拉，從排塵口取下。



## 使用步驟

**警告！讓工具在自有節奏下工作，切勿過載。**

### 打開與關閉 (圖E)

- ◆ **要打開工具，請按下on/off開關 (1) 上標有“1”的部分。**
- ◆ **要關閉工具，請按下on/off開關 (1) 上標有“0”的部分。**

### 清空集塵袋

- ◆ **集塵袋 (2) 應每10分鐘清空一次。**
- ◆ **搖動集塵袋 (2)，清空內部粉塵。**

### 最佳使用指南

- ◆ **切勿把手放在通風槽上。**
- ◆ **不得對工具施加過大壓力。**
- ◆ **定期檢查砂紙的狀況。必要時應更換砂紙。**
- ◆ **務必順木材紋理打磨。**
- ◆ **塗另一道油漆前，在新漆面上打磨時，應使用超細砂紙。**
- ◆ **打磨極不平整表面，或清除油漆層時，在開始時應採用粗粒度。對於其它表面，採用中等粒度。在兩種情況下，逐漸改為細粒度，以獲得光面精整。**
- ◆ **請向您的零售商諮詢可用配件的更多信息。**

### 維護

您的史丹利電動工具設計精良，可以長期運作，而祇需要極少的維護。要取得連續的令人滿意的工作效果，需要您做合適的保養和定期的清潔。

### 重要提示

**為了確保本產品的安全性和可靠性，工具的維修、維護和調整 (本手冊列出的調整除外) 應由授權服務中心或其他合格機構進行，請始終使用相同的備件，工具內不含任何用戶可以維修的零件。**

### 清潔



**警告！一旦通風口及其周圍積聚可見的塵埃，請立即使用乾燥的壓縮空氣吹掉主機外殼內的塵埃和灰塵。執行此步驟時，請佩戴經認可的護目裝備和認可的面罩。**



**警告！切勿使用溶劑或其他刺激性化學品來清潔工具的非金屬部件。這些化學品可能削弱零件中使用的材料。只能使用抹布蘸中性肥皂水進行清潔。不要讓任何液體進入工具；不要讓工具的任何部分浸入液體中。**

### 配件

所有電工工具的性能均取決於所用的配件。史丹利配件依據高質量標準設計，能够強化電動工具的性能。使用史丹利配件，可以確保您的史丹利工具可以發揮最出色的性能。使用這些配件，您的工具能够維持最佳狀態。在地方零售商或授權服務中心處，史丹利提供了大量配件，用戶可另行選購。



**注意！如果使用非推薦配件，本工具將存在隱患。**

### 保護環境



分類回收。此類產品不得和普通家庭垃圾一起處理。如果某一天您發現必須跟換您的史丹利產品，請不要把它和家庭垃圾一起處理，請把該產品單獨分類回收。



舊產品和舊包裝的分類回收使材料能夠得以再循環和再利用。再循環材料的重新利用有助於防止環境污染和減少原材料需求。必要時，請聯繫地方市政部門，諮詢本市/鎮的相關處理規定。

### 服務信息

史丹利完善的自有和授權服務網絡遍布全亞洲。所有史丹利服務中心的員工都經過專門培訓，可以為客戶提供高效、可靠的電動工具服務。無論您需要技術諮詢、維修或是正宗的原裝配件，請聯繫離您最近的史丹利服務站。

### 說明

- ◆ 史丹利的產品方針之一是持續改進，因此產品規格如有更改，恕不另行通知。
- ◆ 各個國家的標準設備和配件可能有所不同。
- ◆ 產品規格可能因國家而異。
- ◆ 並非所有國家都有全系列的產品。聯繫您當地的史丹利零售商了解可售產品範圍。

每個國家的保修政策都不相同，請聯繫各地的史丹利零售商。

進口商:新加坡商百得電動工具(股)公司台灣分公司

地址:台北市士林區德行西路33號2樓

電話: 02-28341741

總經銷商:永安實業股份有限公司

地址:新北市三重區新北大道二段137號

電話: 02-29994633



設備名稱：砂磨機		型號（型式）：STEL401				
Equipment name		Type designation (Type)				
單元 U nit	<b>限用物質及其化學符號</b> <b>Restricted substances and its chemical symbols</b>					
	鉛Lead (Pb)	汞Mercury (Hg)	鎘Cadmium (Cd)	六價鉻Hexava- lent chromium (Cr <sup>+6</sup> )	多溴聯苯 Polybrominated biphenyls (PBB)	多溴二苯醚 Polybrominated diphenyl ethers (PBDE)
外殼	○	○	○	○	○	○
馬達	○	○	○	○	○	○
電源線	○	○	○	○	○	○
電源開關	○	○	○	○	○	○
內部配線	○	○	○	○	○	○
電源板	○	○	○	○	○	○
備考1. “超出0.1 wt %” 及 “超出0.01 wt %” 係指限用物質之百分比含量超出百分比含量基準值。 Note 1 : “Exceeding 0.1 wt %” and “exceeding 0.01 wt %” indicate that the percentage content of the restricted substance exceeds the reference percentage value of presence condition.						
備考2. “○” 係指該項限用物質之百分比含量未超出百分比含量基準值。 Note 2 : “○” indicates that the percentage content of the restricted substance does not exceed the percentage of reference value of presence.						
備考3. “—” 係指該項限用物質為排除項目。 Note 3 : The “—” indicates that the restricted substance corresponds to the exemption.						





