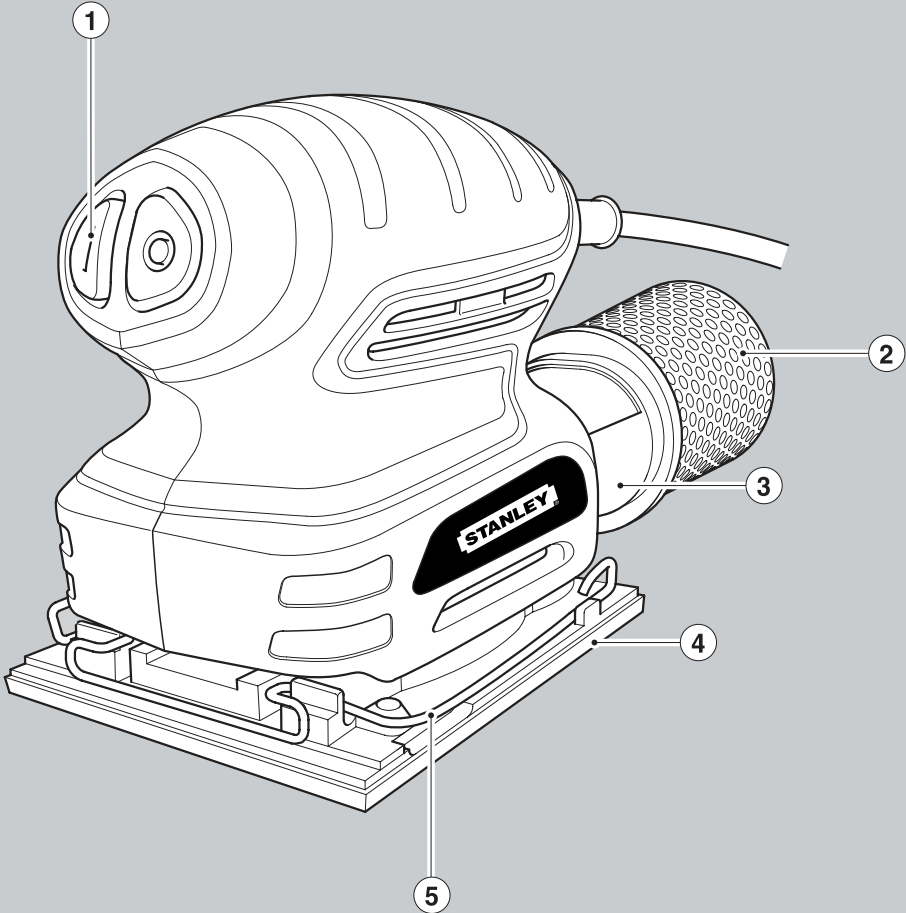


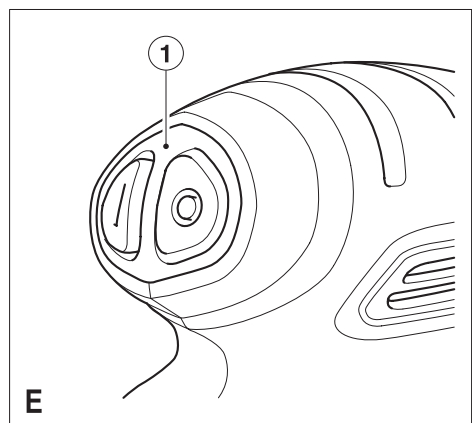
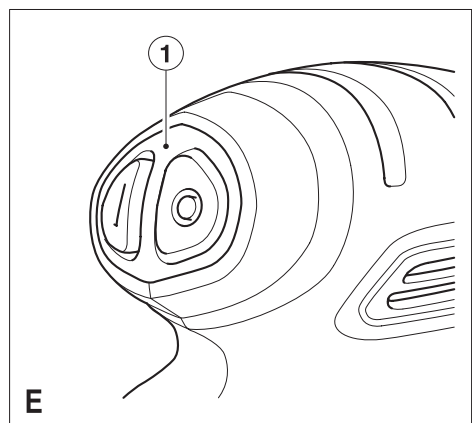
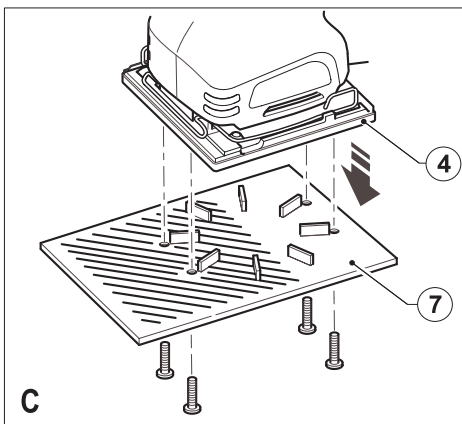
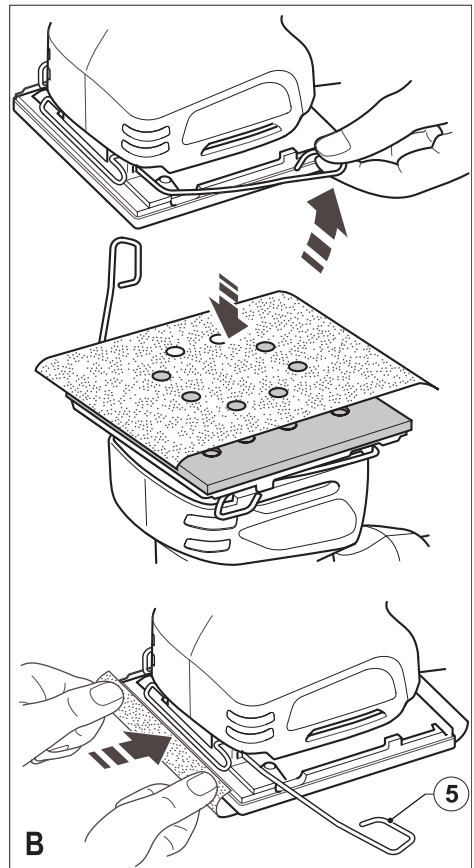
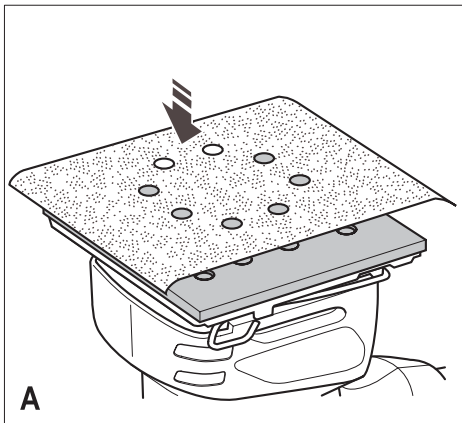
STANLEY

®



STEL401

English	3
简体中文	6
INDONESIA	9
ภาษาไทย	13
TIẾNG VIỆT	17



STEL401 1/4 SHEET SANDER

Technical data

		STEL401
Voltage	v	220-240
Power input	w	220
Orbits (no load)	/min	16000
Oscillations (no load)	/min	32000
Weight	kg	1.12

Intended use

Your Stanley sander has been designed for sanding wood, metal, plastics and painted surfaces.

Safety instructions

General power tool safety warnings



Warning! Read all safety warnings and all instructions. Failure to follow all instructions may result in electric shock, fire and/or serious injury.

Save all warnings and instructions for future reference.

The term "power tool" in all of the warnings listed below refers to your mains operated (corded) power tool or battery operated (cordless) power tool.

- 1. Work area safety**
 - a. Keep work area clean and well lit.** Cluttered or dark areas invite accidents.
 - b. Do not operate power tools in explosive atmospheres, such as in the presence of flammable liquids, gases or dust.** Power tools create sparks which may ignite the dust or fumes.
 - c. Keep children and bystanders away while operating a power tool.** Distractions can cause you to lose control.
- 2. Electrical safety**
 - a. Power tool plugs must match the outlet. Never modify the plug in any way. Do not use any adapter plugs with earthed (grounded) power tools.** Unmodified plugs and matching outlets will reduce risk of electric shock.
 - b. Avoid body contact with earthed or grounded surfaces such as pipes, radiators, ranges and refrigerators.** There is an increased risk of electric shock if your body is earthed or grounded.
 - c. Do not expose power tools to rain or wet conditions.** Water entering a power tool will increase the risk of electric shock.
- 3. Personal safety**
 - a. Stay alert, watch what you are doing and use common sense when operating a power tool. Do not use a power tool while you are tired or under the influence of drugs, alcohol or medication.** A moment of inattention while operating power tools may result in serious personal injury.
 - b. Use personal protective equipment. Always wear eye protection.** Protective equipment such as dust mask, non-skid safety shoes, hard hat, or hearing protection used for appropriate conditions will reduce personal injuries.
 - c. Prevent unintentional starting. Ensure the switch is in the off-position before connecting to power source and/or battery pack, picking up or carrying the tool.** Carrying power tools with your finger on the switch or energising power tools that have the switch on invites accidents.
 - d. Remove any adjusting key or wrench before turning the power tool on.** A wrench or a key left attached to a rotating part of the power tool may result in personal injury.
 - e. Do not overreach. Keep proper footing and balance at all times.** This enables better control of the power tool in unexpected situations.
 - f. Dress properly. Do not wear loose clothing or jewellery. Keep your hair, clothing and gloves away from moving parts.** Loose clothes, jewellery or long hair can be caught in moving parts.
 - g. If devices are provided for the connection of dust extraction and collection facilities, ensure these are connected and properly used.** Use of these devices can reduce dust related hazards.
- 4. Power tool use and care**
 - a. Do not force the power tool. Use the correct power tool for your application.** The correct power tool will do the job better and safer at the rate for which it was designed.
 - d. Do not abuse the cord. Never use the cord for carrying, pulling or unplugging the power tool. Keep cord away from heat, oil, sharp edges or moving parts.** Damaged or entangled cords increase the risk of electric shock.
 - e. When operating a power tool outdoors, use an extension cord suitable for outdoor use.** Use of a cord suitable for outdoor use reduces the risk of electric shock.
 - f. If operating a power tool in a damp location is unavoidable, use a residual current device (RCD) protected supply.** Use of an RCD reduces the risk of electric shock.

- b. **Do not use the power tool if the switch does not turn it on and off.** Any power tool that cannot be controlled with the switch is dangerous and must be repaired.
 - c. **Disconnect the plug from the power source and/or the battery pack from the power tool before making any adjustments, changing accessories, or storing power tools.** Such preventive safety measures reduce the risk of starting the power tool accidentally.
 - d. **Store idle power tools out of the reach of children and do not allow persons unfamiliar with the power tool or these instructions to operate the power tool.** Power tools are dangerous in the hands of untrained users.
 - e. **Maintain power tools. Check for misalignment or binding of moving parts, breakage of parts and any other condition that may affect the power tools operation. If damaged, have the power tool repaired before use.** Many accidents are caused by poorly maintained power tools.
 - f. **Keep cutting tools sharp and clean.** Properly maintained cutting tools with sharp cutting edges are less likely to bind and are easier to control.
 - g. **Use the power tool, accessories and tool bits etc. in accordance with these instructions, taking into account the working conditions and the work to be performed.** Use of the power tool for operations different from those intended could result in a hazardous situation.
5. **Service**
- a. **Have your power tool serviced by a qualified repair person using only identical replacement parts.** This will make sure that the safety of the power tool is maintained.

Additional power tool safety warnings



Warning! Additional safety warnings for sanders.

- ◆ **Hold the power tool by insulated gripping surfaces, because the sanding belt / sanding base may contact its own cord.** Cutting a "live" wire may make exposed metal parts of the power tool "live" and shock the operator.
- ◆ **Use clamps or another practical way to secure and support the workpiece to a stable platform.** Holding the work by hand or against your body leaves it unstable and may lead to loss of control.
- ◆ **Warning!** Contact with or inhalation of dust arising from sanding applications may endanger the health of the operator and possible bystanders. Wear a dust mask specifically designed for protection against dust and fumes and ensure that persons within or entering the work area are also protected.

- ◆ Thoroughly remove all dust after sanding.
- ◆ Take special care when sanding paint which is possibly lead based or when sanding some woods and metal which may produce toxic dust:
 - Do not let children or pregnant women enter the work area.
 - Do not eat, drink or smoke in the work area.
 - Dispose of dust particles and any other debris safely.
- ◆ This tool is not intended for use by persons (including children) with reduced physical, sensory or mental capabilities, or lack of experience and knowledge, unless they have been given supervision or instruction concerning use of the appliance by a person responsible for their safety. Children should be supervised to ensure that they do not play with the appliance.
- ◆ The intended use is described in this instruction manual. The use of any accessory or attachment or performance of any operation with this tool other than those recommended in this instruction manual may present a risk of personal injury and/or damage to property.

Labels on tools

The following pictograms are shown on the tool:



Warning! To reduce the risk of injury, the user must read the instruction manual.

Electrical safety



This tool is double insulated; therefore no earth wire is required. Always check that the power supply corresponds to the voltage on the rating plate.

- ◆ This appliance is not intended for use by young or infirm persons without supervision. Children must be supervised to ensure they do not play with the appliance.
- ◆ If the supply cord is damaged, it must be replaced by the manufacturer or an authorised Black & Decker Service Centre in order to avoid a hazard.

Features

1. On/off switch
2. Dustbag
3. Dust extraction outlet
4. Sanding base
5. Paper clamp lever

Assembly

Warning! Before assembly, make sure that the tool is switched off and unplugged.

Fitting sanding sheets (fig. A & B)

Warning! Never use the tool without a sanding sheet or accessory in place.

Fitting sanding sheets with nylon loops (fig. A)

Warning! Make sure that the tool is switched off and unplugged.

- ◆ Press the sheet firmly and evenly onto the sanding base (4), making sure that the holes in the sheet line up with the holes in the base.

Fitting regular sanding sheets (fig. B)

Warning! Make sure that the tool is switched off and unplugged.

- ◆ Soften the sanding sheet by rubbing its non-abrasive side over the edge of a worktop.
- ◆ Press the paper clamp levers (5) upwards to release them from the retaining grooves and open the paper clamps (5) by pressing them down.
- ◆ Place the sheet onto the sanding base (4).
- ◆ Insert the edge of the sanding sheet into the front paper clamp (5) as shown.
- ◆ Press the front paper clamp lever (5) downwards and locate it in the retaining groove.
- ◆ While keeping a slight tension on the sheet, insert the rear edge of the sheet into the rear paper clamp (5).
- ◆ Press the rear paper clamp lever (5) downwards and locate it in the retaining groove.

Louvre attachment (fig. C)

With this attachment you can work in crevices and use the sanding base on both sides.

- ◆ Locate the front of the louvre attachment (7) onto the sanding base (4).
- ◆ Secure it in position with the four screws supplied.
- ◆ Place a 1/2 sheet to the underside of the louvre base. Part of it will fold over the front part of the base.
- ◆ To remove the louvre attachment (7), reverse the procedure.

Fitting and removing the dustbag (fig. D)

- ◆ Fit the dustbag (2) over the dust extraction outlet (3).
- ◆ Slide the dustbag (2) onto the tool and make sure that it is securely located.
- ◆ To remove the dustbag (2), pull it to the rear and off the outlet.

Use

Warning! Let the tool work at its own pace. Do not overload.

Switching on and off (fig. E)

- ◆ To switch the tool on, press the part of the on/off switch (1) marked 'I'.
- ◆ To switch the tool off, press the part of the on/off switch (1) marked 'O'.

Emptying the dustbag

- ◆ The dustbag (2) should be emptied every 10 minutes.
- ◆ Shake the dustbag (2) to empty the contents

Hints for optimum use

- ◆ Do not place your hands over the ventilation slots.
- ◆ Do not exert too much pressure on the tool.
- ◆ Regularly check the condition of the sanding sheet. Replace when necessary.
- ◆ Always sand with the grain of the wood.
- ◆ When sanding new layers of paint before applying another layer, use extra fine grit.
- ◆ On very uneven surfaces, or when removing layers of paint, start with a coarse grit. On other surfaces, start with a medium grit. In both cases, gradually change to a fine grit for a smooth finish.
- ◆ Consult your retailer for more information on available accessories.

Maintenance

Your Stanley tool has been designed to operate over a long period of time with a minimum of maintenance. Continuous satisfactory operation depends upon proper tool care and regular cleaning.

Warning! Before performing any maintenance, switch off and unplug the tool.

- ◆ Regularly clean the ventilation slots in your tool using a soft dry brush or dry cloth.
- ◆ Regularly clean the motor housing using a clean damp cloth. Do not use any abrasive or solvent-based cleaner.

STEL401 砂光机

技术参数

		STEL401
电压	伏特	220
输入功率	瓦特	220
轨道次数 (空载)	/分钟	16000
震荡次数 (空载)	/分钟	32000
重量	千克	1.12

设计用途

本史丹利砂光机的设计用途是砂光木材、金属、塑料以及油漆表面。

安全须知

电动工具安全通则

警告！ 阅读所有警告和所有说明。不遵照以下警告和说明会导致电击、着火和/或严重伤害。

保存所有警告和说明书以备将来查阅。

在所有下列警告中术语“电动工具”指市电驱动（有线）电动工具或电池驱动（无线）电动工具。

a) 工作场地的安全

- 1) 保持工作场地清洁和明亮。混乱和黑暗的场地会引发事故。
- 2) 不要在易爆环境，如有易燃液体、气体或粉尘的环境下操作电动工具。电动工具产生的火花会点燃粉尘或气体。
- 3) 让儿童和旁观者离开后操作电动工具。注意力不集中会使操作者失去对工具的控制。

b) 电气安全

- 1) 电动工具插头必须与插座相配。绝不能以任何方式改装插头。需接地的电动工具不能使用任何转换插头。未经改装的插头和相配的插座将减少电击危险。
- 2) 避免人体接触接地表面，如管道、散热片、冰箱。如果你身体接地会增加电击危险。
- 3) 不得将电动工具暴露在雨中或潮湿环境中。水进入电动工具将增加电击危险。

- 4) 不得滥用电线。绝不能使用电线搬运、拉动电动工具或拔出其插头。使电线远离热源、油、锐边或运动部件。受损或缠绕的软线会增加电击危险。
- 5) 当在户外操作电动工具时，使用适合户外使用的外接软线。适合户外使用的软线将减少电击的危险。
- 6) 如果在潮湿的环境下操作电动工具是不可避免的，应使用剩余电流动作保护器 (RCD)。使用 RCD 可减小电击的危险。

c) 人身安全

- 1) 保持警觉。当操作电动工具时关注所从事的操作并保持清醒。当你感到疲倦，或在有药物、酒精或治疗反应时，不要操作电动工具。在操作电动工具时瞬间的疏忽会导致严重人身伤害。
- 2) 使用个人防护装置。始终佩戴护目镜。安全装置，诸如适当条件下使用防尘面具、防滑安全鞋、安全帽，听力防护等装置能减少人身伤害。
- 3) 防止意外起动。确保开关在连接电源和/或电池盒、拿起或搬运工具时处于关断位置。手指放在已经接通电源的开关上或开关处于接通时插入插头可能会导致危险。
- 4) 在电动工具接通之前，拿掉所有调节钥匙或扳手。遗留在电动工具旋转零件上的扳手或钥匙会导致人身伤害。
- 5) 手不要伸得太长。时刻注意立足点和身体平衡。这样在意外情况下能很好地控制电动工具。
- 6) 着装适当。不要穿宽松的衣服或佩戴饰品。让衣服、手套和头发远离运动部件。宽松衣服、配饰或长发可能会卷入运动部件中。
- 7) 如果提供了与排屑装置、集尘设备连接用的装置，要确保这些装置连接完好且使用得当。使用这些装置可减少碎屑引起的危险。

d) 电动工具的使用和注意事项

- 1) 不要滥用电动工具。根据用途使用适当的电动工具。选用适当设计的电动工具会使你工作更有效、更安全。
- 2) 如果开关不能接通或关断工具电源，则不能使用该电动工具。不能用开关来控制的电动工具是危险的且必须进行修理。

- 3) 在进行任何调节、更换附件或贮存电动工具之前，必须从电源上拔掉插头和/或使电池盒与工具脱开。这种防护性措施将减少工具意外起动的危险。
- 4) 将闲置不用的电动工具贮存在儿童所及范围之外，并且不要让不熟悉电动工具或对这些说明不了解的人操作电动工具。电动工具在未经培训的用户手中是危险。
- 5) 保养电动工具。检查运动部件是否调整到位或卡主、检查零件破损情况和影响电动工具运行的其他状况。如有损坏，电动工具应在使用前修理好。许多事故由维护不良电动工具所引发。
- 6) 保持切削刀具锋利和清洁。保养良好的有锋利切削刃的刀具不易卡住而且更容易控制。
- 7) 按照使用说明书，考虑作业条件和进行的工作来使用电动工具、附件和工具的刀头等。将电动工具用于那些与其用途不符的操作可能会导致危险。

e) 维修

- 1) 将你的电动工具送交专业维修人员，使用同样的备件进行修理。这样将确保所维修的电动工具的安全性。

电动工具安全通则

 **注意！砂光机安全通则。**

- ◆ 紧固件可能接触隐藏的导线时，请仅握持绝缘的把手表面。如果紧固件接触“带电”导线，工具暴露金属部件的表面会“带电”，并且导致操作员触电。
- ◆ 请使用夹钳或其它切实可行的方法来固定和支撑工件，将其固定到稳定的工作台上。用手抓住工件或用身体抵住工件并不稳定，可能会导致工件失控。
- ◆ 警告！砂光作业会产生粉尘，如果不慎与之接触或吸入，会危害操作人员甚至周围人员的健康。请佩戴专用防尘面罩，并保证工作区内人员和进入工作区的人员也采取保护措施。
- ◆ 砂光作业后，请彻底清除所有粉尘。

- ◆ 打磨可能含铅的油漆、或打磨某些可能产生有害粉尘的木材与金属时，必须格外小心：
 - 禁止儿童或孕妇进入工作区域。
 - 禁止在工作区内吃、喝、抽烟。
 - 安全处理粉尘颗粒及其它碎屑。
- ◆ 除非其安全负责人进行工具使用的监督或指导，否则体力、感知能力或心智不足的人（包括儿童），或缺乏相关经验与知识的人不得使用本工具。必须看管儿童，勿使其拿本工具玩耍。
- ◆ 本指导手册已经说明了预定用途。如果配件或附件的使用、本工具的操作超出本指导手册建议的范围，则可能出现人身伤害和/或财产损失风险。

工具上的标志

本工具有如下图形标志：



警告！为降低伤害风险，使用前务必阅读使用手册。

电气安全



本工具为双重绝缘，因此无须接地线。随时检查并确保电源电压与铭牌上的使用电压相符。

- ◆ 在缺乏监督的情况下，年轻人或体弱的人不得使用本工具。必须看管孩子，不让他们玩耍本工具。
- ◆ 如果电源线损坏，必须由厂商或百得授权服务中心更换，以排除隐患。

部件名称

1. On/off开关
2. 集尘袋
3. 排尘口
4. 打磨底座
5. 砂纸夹紧杆

组装

警告！组装前，请确保工具开关关闭并拔下电源插头。

安装砂纸 (图A和B)

警告！禁止在不装砂纸或配件的情况下使用本工具。

带尼龙环砂纸的安装(图A)

警告！请确保工具开关关闭并拔下电源插头。

- ◆ 把砂纸牢固、均匀地按入打磨底座 (4) 内，并确保砂纸上的孔与底座上的孔对正。
- ◆ 尼龙环砂纸规格：108mm*112mm

安装普通砂纸(图B)

警告！请确保工具开关关闭并拔下电源插头。

- ◆ 把砂纸的非打磨面在工作台的边缘摩擦，使其变软。
- ◆ 把砂纸夹紧杆 (5) 向上按，把它们从卡槽中释放出来，然后向下按夹紧杆 (5)，将其打开。
- ◆ 把砂纸放到打磨底座 (4) 上。
- ◆ 如图所示，把砂纸的边缘插入前砂纸夹 (5)。
- ◆ 向下按前砂纸夹紧杆 (5)，将其定位于卡槽内。
- ◆ 轻微拉紧砂纸的同时，把砂纸的后边缘插入后砂纸夹紧杆 (5) 内。
- ◆ 向下按后砂纸夹紧杆 (5)，将其定位于卡槽内。

连接百叶窗式附件 (图C)

使用本附件，就可以在缝隙中使用本工具，并且打磨底座的两面都可以使用。

- ◆ 把附件 (7) 的前部定位到打磨底座 (4) 上。
- ◆ 使用随工具提供的四个螺钉，把附件牢固固定。
- ◆ 把1/2砂纸放入百叶窗底座的底面。砂纸的一部分将折叠到底座的前部。
- ◆ 要取下百叶窗附件 (7)，请反向操作本程序。
- ◆ 百叶窗附件规格：165mm*112mm。

集尘袋的安装与拆卸 (图D)

- ◆ 把集尘袋 (2) 对准排尘口 (3)。
- ◆ 把集尘袋 (2) 滑动安装到工具上，确保其牢固固定。
- ◆ 要拆卸集尘袋 (2)，将其向后拉，从排尘口取下。

使用步骤

警告！让工具在自有节奏下工作，切勿过载。

打开与关闭 (图E)

- ◆ 要打开工具，请按 down/off 开关 (1) 上标有“1”的部分。
- ◆ 要关闭工具，请按 down/off 开关 (1) 上标有“0”的部分。

清空集尘袋

- ◆ 集尘袋 (2) 应每10分钟清空一次。
- ◆ 摇动集尘袋 (2)，清空内部粉尘。

最佳使用指南

- ◆ 切勿把手放在通风槽上
- ◆ 不得对工具施加过大压力。
- ◆ 定期检查砂纸的状况。必要时应更换砂纸。
- ◆ 务必顺木材纹理打磨。
- ◆ 涂另一道油漆前，在新漆面上打磨时，应使用超细砂纸。
- ◆ 打磨极不平整表面，或清除油漆层时，在开始时应采用粗粒度。对于其它表面，采用中等粒度。在两种情况下，逐渐改为细粒度，以获得光面平整。
- ◆ 请向您的零售商咨询可用配件的更多信息。

维护

本史丹利电动工具设计精良，可以长期运作，而只需极少的维护。要取得连续的令人满意的工作效果，需要您做合适的保养和定期的清洁。

警告！开始任何维护工作前，请关闭工具开关并拔下插头。

- ◆ 定期使用干燥的软刷或干抹布清洁工具的通风口。
- ◆ 定期使用干净的湿抹布清洁马达外壳。切勿使用任何研磨型或溶剂型清洁剂。

制造商：百得美国公司

地址：701 E Joppa Rd, TW050 MD21286, Towson, 美国

产地：江苏苏州

STEL401 PENGAMPELAS ELEKTRIK 1/4

DATA TEKNIS

		STEL401
TEGANGAN	V	220–240
DAYA INPUT	W	220
ORBIT (TANPA BEBAN)	/min	16000
OSILASI (TANPA BEBAN)	/min	32000
BERAT	kg	1,12

MAKSUD PENGGUNAAN

Amplas Stanley Anda telah dirancang untuk pengamplasan kayu, logam, plastik dan permukaan yang dicat.

INSTRUKSI KESELAMATAN

Peringatan keamanan alat listrik umum



Peringatan! Baca semua peringatan keamanan dan semua instruksi. Gagal mengikuti semua petunjuk dapat menyebabkan sengatan listrik, kebakaran dan / atau cedera serius.

Simpan semua peringatan dan instruksi untuk referensi di masa mendatang.

Istilah "Power Tool" dalam semua peringatan yang tercantum di bawah ini mengacu pada pengoperasian kelistrikan "power tool" anda (memakai kabel) atau power tool yang beroperasi dengan baterai (tanpa kabel).

1. Keselamatan Area kerja.

- Jaga area kerja bersih dan terang.** Daerah yang berantakan atau gelap mengundang kecelakaan.
- Jangan mengoperasikan alat-alat listrik di lingkungan yang mudah terjadi ledakan, seperti dengan adanya cairan mudah meledak, gas atau debu.** Alat-alat listrik membuat percikan api yang dapat membakar debu atau asap.
- Jauhkan anak-anak dan para pengamat menjauh pada saat pengoperasian power tool.** Gangguan dapat menyebabkan Anda kehilangan kontrol.

2. Keamanan elektrik

- Colokan Power tool harus sesuai outlet. Jangan memodifikasisteker dengan cara apapun.** Jangan menggunakan colokan adaptor apapun pada power tool yang dibumikan (grounded). Colokan yang tidak dimodifikasi dan outlet yang sesuai akan mengurangi risiko kejutan listrik.

- Hindari kontak tubuh dengan permukaan yang dibumikan atau grounded seperti pipa, radiator, kompor dan kulkas.** Ada peningkatan risiko sengatan listrik jika tubuh Anda dibumikan atau ground.
- Jangan memaparkan power tool pada hujan atau kondisi basah.** Air yang masuk pada power tool akan meningkatkan risiko sengatan listrik.
- Jangan menyalahgunakan kabelnya. Jangan menggunakan kabel untuk membawa, menarik atau mencabut power tool.** Jauhkan kabel dari panas, minyak, tepi tajam atau bagian yang bergerak. Kabel rusak atau terbelit meningkatkan risiko sengatan listrik.
- Ketika mengoperasikan power tool di luar ruangan, gunakankabel ekstensi yang sesuai untuk penggunaan outdoor.** Penggunaan kabel yang cocok untuk penggunaan outdoor mengurangi risiko sengatan listrik.
- Jika tidak dapat dihindari mengoperasikan power tool di lokasi yang lembab, gunakan perangkat arus sisa (RCD) dilindungi pasokan.** Penggunaan RCD mengurangi risiko sengatan listrik.

3. Keselamatan Pribadi

- Tetap waspada, perhatikan apa yang Anda lakukan dan gunakan akal sehat saat mengoperasikan power tool.** Jangan menggunakan alat listrik saat Anda lelah atau di bawah pengaruh obat-obatan, alkohol atau obat. Sesaat kurangnya perhatian saat mengoperasikan alat-alat listrik dapat menyebabkan cedera pribadi yang serius.
- Gunakan peralatan perlindungan pribadi. Selalu memakai perlindungan mata.** Peralatan pelindung seperti masker debu, sepatu safety non-selip, topi keras, atau perlindungan pendengaran yang digunakan untuk kondisi yang tepat akan mengurangi cedera pribadi.
- Mencegah dari memulai dengan tidak disengaja. Pastikan saklar dalam posisi off sebelum terhubung ke sumber listrik dan / atau kemasan baterai, mengambil atau membawa alat.** Membawa power tool dengan jari Anda pada switch atau power tool yang sedang di aliri energi dengan posisi saklar diaktifkan, dapat mengundang kecelakaan.
- Pindahkan perkakas atau kunci Inggris sebelum menyalakan power tool.** Sebuah kunci Inggris terpasang ke bagian pemutar dari power tool dapat mengakibatkan cedera.

- e. **Jangan melampaui batas.** Jaga pijakan dan keseimbangan yang tepat setiap saat. Hal ini memungkinkan kontrol yang lebih baik pada power tool dalam situasi yang tidak terduga.
- f. **Berpakaian secara layak.** Jangan memakai pakaian yang longgar atau perhiasan. Jauhkan rambut, pakaian dan sarung tangan anda dari bagian yang bergerak. Pakaian longgar, perhiasan atau rambut panjang dapat terjatuh di bagian yang bergerak.
- g. **Jika disediakan perangkat untuk sambungan dari debu ekstraksi dan koleksi fasilitas, pastikan ini sudah terhubung dan digunakan dengan benar.** Penggunaan perangkat ini dapat mengurangi bahaya yang berhubungan dengan debu.
4. **Menggunakan alat listrik dan perawatan nya.**
- a. **Jangan menggunakan power tool dengan paksa. Gunakan power tool yang sesuai untuk aplikasi Anda.** Power tool yang benar akan melakukan pekerjaannya lebih baik dan lebih aman sesuai dengan peruntukannya.
- b. **Jangan gunakan alat listrik jika saklar tidak menyala on dan off. Setiap power tool yang tidak dapat dikontrol dengan saklar, berbahaya dan harus diperbaiki.**
- c. **Lepaskan colokan dari catu daya sebelum melakukan suatu penyesuaian, mengganti aksesoris, atau menyimpan alat listrik.** Langkah-langkah keamanan yang preventif mengurangi risiko menyalakan power tool dengan tidak sengaja.
- d. **Simpan power tool yang tidak digunakan ditempat yang jauh dari jangkauan anak-anak dan jangan mengizinkan orang asing yang tidak terbiasa dengan power tool atau instruksi ini untuk mengoperasikan power tool.** Power tool berbahaya jika berada di tangan orang yang tidak terlatih.
- e. **Rawat power tool. Periksa ketidaksesuaian atau pengikatan bagian yang bergerak, kerusakan bagian-bagian dan setiap kondisi lain yang dapat mempengaruhi pengoperasian power tool. Jika rusak, perbaiki power tool sebelum digunakan.** Banyak kecelakaan disebabkan oleh alat-listrik kurang terpelihara.
- f. **Jaga lah agar alat pemotong tetap tajam dan bersih. Rawat lah alat pemotong dengan sesuai dengan merawat tepi pemotong tetap tajam agar tidak gampang berikatan dan lebih mudah untuk mengontrol.**
- g. **Gunakan alat listrik, aksesoris, alat bit, dll sesuai dengan petunjuk ini, dengan mempertimbangkan kondisi kerja dan pekerjaan yang harus dilakukan. Mengoperasikan power tool untuk sesuatu yang berbeda dari yang dimaksudkan bisa mengakibatkan situasi berbahaya.**
5. **Layanan**
- a. **Servis power tool anda pada orang yang ahli dengan gunakan hanya suku cadang yang sama.** Ini akan memastikan bahwa keselamatan power tool dipelihara.

PERINGATAN KESELAMATAN TAMBAHAN POWER TOOL



Peringatan! Peringatan keamanan tambahan untuk Para Pengampelas.

- **Pegang power tool pada permukaan pegangan yang terbalut, karena sabuk ampelas / dasar amplas dapat terkontak dengan kabelnya.** Memotong kawat yang "hidup" dapat membuat logam yang terbuka pada bagian power tool "hidup" dan mengejutkan operator.
- **Gunakan klem atau cara lain yang praktis untuk mengamankan dan mendukung pekerjaan ke platform yang stabil.** Memegang pekerjaan dengan tangan atau bersentuhan tubuh anda akan membuatnya tidak stabil dan dapat mengakibatkan hilangnya kontrol.
- **Peringatan!** Kontak dengan atau menghirup debu yang timbul dari pengerjaan pengamplasan dapat membahayakan kesehatan operator dan bisa juga para pengamat. Kenakan masker debu yang khusus dirancang untuk perlindungan terhadap debu dan asap dan memastikan bahwa orang-orang di dalam atau yang memasuki area kerja juga dilindungi.
- Bersihkan debu dengan seksama setelah pengamplasan.
- Hati-hati ketika mengamplas cat yang mungkin menyebabkan atau ketika mengamplasan kayu dan logam yang dapat menghasilkan debu beracun:
 - Jangan membiarkan anak-anak atau wanita hamil memasuki area kerja.
 - Jangan makan, minum atau merokok di area kerja.
 - Buang lah partikel debu dan puing-puing lainnya secara aman.
- Alat ini tidak dimaksudkan untuk digunakan oleh orang (termasuk anak-anak) dengan cacat fisik, cacat indera atau cacat mental, atau kurangnya pengalaman dan pengetahuan, kecuali mereka telah

diberikan pengawasan atau instruksiberkaitan dengan penggunaan alat oleh orang bertanggung jawab untuk keselamatan mereka. Anak–anak harus diawasi untuk memastikan bahwa mereka tidak bermain dengan alat.

- Penggunaan yang dimaksudkan dijelaskan dalam instruksi manual. Penggunaan aksesoris atau lampiran atau kinerja operasi apapun dengan alat ini selain yang direkomendasikan dalam manual ini instruksi dapat menyebabkan resiko cedera pribadi dan / atau kerusakan properti.

LABEL PADA ALAT

Piktogram berikut ini akan ditampilkan pada alat:



Peringatan! Untuk mengurangi risiko cedera, pengguna harus membaca instruksi manual.

Keselamatan listrik



Alat ini terisolasi ganda, sehingga tidak diperlukan kabel bumi. Selalu periksa bahwa power supply sesuai dengan tegangan pada plat rating.

- Alat ini tidak dimaksudkan untuk digunakan oleh orang muda atau lemah tanpa pengawasan. Anak–anak harus diawasi untuk memastikan mereka tidak bermain dengan alat.
- Jika kabel listrik rusak, harus diganti oleh produsen atau Pusat Layanan Resmi Black & Decker untuk menghindari terjadinya bahaya.

Fitur

1. On / off switch
2. Kantong debu
3. Stopkontak Pengeluaran Debu
4. Pengamplasan dasar
5. Tuas penjepit kertas

Perakitan



Peringatan! Sebelum perakitan, pastikan bahwa alat dimatikan dan dicabut.

Pemasangan lembar pengamplasan (Gbr. A & B)

Peringatan! Jangan menggunakan peralatan tanpa selembaar pengamplasan atau aksesoris di tempatnya.

Pemasangan lembaran pengamplasan dengan loop nilon (Gbr. A)

Peringatan! Pastikan bahwa alat ini dimatikan dan dicabut.

- Tekan lembar dengan kuat dan merata ke dasar pengamplasan (4), pastikan bahwa lubang dalam garis sejajar dengan lubang–lubang di dasar.

Pemasangan pengamplasan lembar reguler (Gbr. B)

Peringatan! Pastikan bahwa alat ini dimatikan dan dicabut.

- Lunakkan lembar pengamplasan dengan menggosok sisi non–abrasif pada tepi bidang kerja bagian atas.
- Tekan tuas penjepit kertas (5) ke atas untuk melepaskan nya dari alur penahan dan buka klem kertas (5) dengan menekannya.
- Tempatkan lembar ke dasar pengamplasan (4).
- Masukkan ujung lembaran pengamplasan ke penjepit kertas depan (5) seperti yang ditunjukkan.
- Tekan kertas penjepit depan tuas (5) ke bawah dan cari di alur penahan.
- Sambil menjaga sedikit ketegangan pada lembar tersebut, masukkan ujung belakang kertas itu ke penjepit kertas belakang (5).
- Tekan tuas kertas penjepit belakang (5) ke bawah dan cari di alur penahan.

Lampiran Louvre (gambar C)

Dengan lampiran ini Anda dapat bekerja di celah–celah dan menggunakan dasar pengamplasan pada kedua sisi.

- Cari bagian depan lampiran Louvre (7) ke dasar pengamplasan (4).
- Amankan posisinya dengan empat sekrup yang disediakan.
- Tempatkan 1/2 lembar ke bawah dasar Louvre. Bagian dari itu akan melipat atas bagian depan pangkalan.
- Untuk menghapus lampiran jalur hias (7), sebaliknya prosedur.

Pemasangan dan memindahkan kantong debu (Gbr. D)

- Pasang kantong debu (2) melalui outlet ekstraksi debu (3).
- Geser kantong debu (2) ke alat dan pastikan bahwa itu berada pada posisi aman.
- Untuk memindahkan kantong debu (2), tarik ke belakang dan daristopkontak.

PENGGUNAAN



Peringatan! Biarkan alat bekerja dengan kecepatannya sendiri. Jangan melebihi beban.

Menyalakan dan mematikan (gbr. E)

- Untuk mengaktifkan alat ini, tekan bagian dari on / off(1) bertanda 'I'.
- Untuk Mematikan alat ini, tekan bagian dari on / off(1) bertanda '0'.

Mengosongkan kantong debu

- Kantong debu (2) harus dikosongkan setiap 10 menit.
- Kocok kantong debu (2) untuk mengosongkan isi

Petunjuk untuk penggunaan optimal

- Jangan letakkan tangan Anda di atas slot ventilasi.
- Jangan mengerahkan terlalu banyak tekanan pada alat.
- Secara teratur memeriksa kondisi lembar pengamplasan. Ganti bila diperlukan.
- Selalu amplas dengan butiran kayu.
- Ketika mengamplas lapisan baru cat sebelum menerapkan lapisan lain, gunakan pasir halus ekstra.
- Pada permukaan yang sangat tidak merata, atau ketika menghilangkan lapisan cat, mulailah dengan grit kasar. Pada permukaan lain, mulailah dengan grit menengah. Dalam kedua kasus, secara bertahap rubah ke pasir halus untuk hasil akhir yang halus.
- Konsultasikan pada pengecer Anda untuk informasi lebih lanjut tentang aksesori yang tersedia.

PEMELIHARAAN

Alat Stanley anda telah dirancang untuk beroperasi dalam periode waktu yang lama dengan pemeliharaan yang minim. Pengoperasian berkelanjutan yang memuaskan tergantung pada perawatan alat yang tepat dan pembersihan rutin.

Peringatan! Sebelum melakukan perawatan apapun, matikan dan cabut alat.

- Secara teratur bersihkan slot ventilasi dalam perangkat anda menggunakan kuas kering yang halus atau kain kering.
- Secara teratur bersihkan rumah motor menggunakan kain basah yang bersih. Jangan menggunakan bahan kasar atau pembersih berbasis pelarut.

STEL401**เครื่องตัดกระดาศทวาย 1/4****ข้อมูลทางเทคนิค**

		STEL421
แรงดันไฟเข้า	โวลต์	220-240
กำลังไฟเข้า	วัตต์	220
อัตราการหมุน (ไม่มีโหลด)	ต่อนาที	16000
การสิ้น (ไม่มีโหลด)	มม.	36000
น้ำหนัก	กก.	1.12

วัตถุประสงค์ในการใช้งาน

เครื่องตัดกระดาศทวาย Stanley นี้ออกแบบมาเพื่อใช้ตัดไม้ โลหะ พลาสติก และพื้นผิวที่มีการทาสี

คำแนะนำเพื่อความปลอดภัย**คำเตือนด้านความปลอดภัยสำหรับเครื่องมือไฟฟ้าทั่วไป**

คำเตือน โปรดอ่านคำเตือนและคำแนะนำ เพื่อความปลอดภัยทั้งหมด การไม่ปฏิบัติตาม คำแนะนำทั้งหมดอาจทำให้ถูกไฟดูด เกิดเพลิงไหม้ และ/หรือบาดเจ็บสาหัสได้

โปรดเก็บรักษาคำเตือนและคำแนะนำทั้งหมดนี้ไว้เพื่อ การอ้างอิงในอนาคต คำว่า “เครื่องมือไฟฟ้า” ในคำเตือน ทั้งหมดที่แสดงไว้ข้างล่าง หมายถึง เครื่องมือไฟฟ้า (แบบมีสาย) ที่ทำงานผ่านแหล่งจ่ายไฟหลัก หรือเครื่องมือ ไฟฟ้า (แบบไร้สาย) ที่ทำงานผ่านแบตเตอรี่

- ความปลอดภัยในบริเวณที่ทำงาน**
- รักษาความสะอาดและจัดให้มีแสงสว่างเพียงพอ** ในบริเวณที่ทำงาน บริเวณที่คับแคบหรือมืดทำให้เกิดอุบัติเหตุได้
- ห้ามใช้เครื่องมือไฟฟ้าในบริเวณที่อาจเกิดการระเบิด** เช่น ในสถานที่ที่มีของเหลว แก๊ส หรือฝุ่นผงที่มีคุณสมบัติไวไฟ เครื่องมือไฟฟ้าจะทำให้เกิดประกายไฟ ที่อาจทำให้เกิดละอองไฟหรือเปลวไฟขึ้นได้
- ระวังไม่ให้เด็กเล็กและคนเดินผ่านไปมาเข้าใกล้ในขณะที่ใช้งานเครื่องมือไฟฟ้า** สิ่งรบกวนอาจทำให้คุณเสียสมาธิได้
- ความปลอดภัยทางไฟฟ้า**
- ปลั๊กไฟของเครื่องต้องเป็นชนิดเดียวกับเต้ารับ ห้ามดัดแปลงปลั๊กไม่ว่าด้วยวิธีใด ห้ามใช้ปลั๊กอะแดปเตอร์ใดๆ กับเครื่องมือไฟฟ้าที่ต่อสายดิน (ลงกราวด์)** ปลั๊กที่ไม่มีการดัดแปลงและเต้ารับชนิดเดียวกันจะช่วยลดความเสี่ยงจากการถูกไฟดูด
- หลีกเลี่ยงการสัมผัสพื้นผิวที่ต่อสายดินหรือลงกราวด์** เช่น ท่อ เครื่องทำความร้อน เตาหุงต้ม และตู้เย็น

มีความเสี่ยงเพิ่มขึ้นที่จะถูกไฟดูดหากร่างกายเป็นสื่อ เชื่อมต่อลงดิน

- อย่าให้เครื่องมือไฟฟ้าถูกฝนหรือเปียกน้ำ** น้ำที่เข้า เครื่องมือไฟฟ้าจะทำให้เกิดความเสี่ยงในการถูกไฟดูดเพิ่มขึ้น
 - ห้ามใช้สายไฟผิดวัตถุประสงค์ ห้ามใช้สายไฟเพื่อหิ้ว ดึง หรือถอดปลั๊กเครื่องมือไฟฟ้า** เก็บสายไฟให้พ้น จากความร้อน น้ำมัน ของมีคม หรือ ชิ้นส่วนที่กำลัง เคลื่อนที่ สายไฟที่ชำรุดหรือพันกันเป็นการเพิ่มความเสี่ยงจากการถูกไฟดูด
 - เมื่อใช้เครื่องมือไฟฟ้านอกอาคาร ให้ใช้สายต่อพ่วงที่ เหมาะสมสำหรับการใช้งานนอกอาคาร** ใช้สายไฟที่ เหมาะสำหรับการใช้งานนอกอาคารจะช่วยลดความเสี่ยงในการถูกไฟดูด
 - หากไม่สามารถหลีกเลี่ยงการใช้เครื่องมือไฟฟ้าใน บริเวณที่ชื้นแฉะได้ ให้ใช้อุปกรณ์ป้องกันไฟฟ้าสะสม (RCD)** การใช้ RCD จะเป็นการลดความเสี่ยงจากการถูก ไฟดูด
- ความปลอดภัยส่วนบุคคล**
 - ตื่นตัวและมีสมาธิกับสิ่งที่คุณกำลังทำ** รวมทั้งใช้สามัญ สำนึกในขณะที่กำลังใช้งานเครื่องมือไฟฟ้า ห้ามใช้ เครื่องมือไฟฟ้าในขณะที่คุณกำลังเหนื่อยหรือได้รับ อิทธิพลจากยา แอลกอฮอล์ หรือการรักษาบางอย่าง การขาดความระมัดระวังในการใช้เครื่องมือไฟฟ้า แม้ชั่วขณะหนึ่งอาจทำให้บาดเจ็บสาหัสได้
 - ใช้อุปกรณ์ป้องกันส่วนบุคคล สวมอุปกรณ์ป้องกัน ดวงตาเสมอ** อุปกรณ์ป้องกัน เช่น หน้ากากกันฝุ่น รองเท้ากันภัยกันลื่น หมวกกันน็อก หรืออุปกรณ์ป้องกัน เสียงดังสำหรับสภาพที่เหมาะสม จะช่วยลดอาการ บาดเจ็บของบุคคลนั้นได้
 - ป้องกันเครื่องเปิดทำงานโดยไม่ได้ตั้งใจ** สวิตช์ต้องอยู่ใน ตำแหน่งปิดก่อนเสียบปลั๊กของเครื่องเข้ากับแหล่ง จ่ายไฟ และ/หรือแบตเตอรี่ หรือก่อนจะยกหรือหิ้ว เครื่องมือ การยกเครื่องมือไฟฟ้าในขณะที่นิ้วอยู่ที่สวิตช์ หรือใช้เครื่องมือไฟฟ้าในขณะที่สวิตช์เปิดอยู่ อาจทำให้เกิดอุบัติเหตุได้
 - ถอดกุญแจปรับแต่งหรือประแจออกก่อนเปิดสวิตช์ เครื่องมือไฟฟ้า** ประแจหรือกุญแจที่เสียบค้างอยู่ใน ชิ้นส่วนที่หมุนได้ของเครื่องมือไฟฟ้าอาจทำให้ได้รับ บาดเจ็บได้
 - ห้ามยืนเขย่งเท้าขณะใช้เครื่อง** ขณะใช้เครื่องมือควร ยืนให้มั่นคงและมีความสมดุลตลอดเวลา เพื่อช่วยใน การควบคุมเครื่องมือไฟฟ้าได้ดียิ่งขึ้นในสถานการณ์ที่ไม่คาดคิด
 - แต่งกายให้เหมาะสม** ห้ามสวมเสื้อผ้าหลวมหรือใส่ เครื่องประดับ รวบผม ชายเสื้อ และถุงมือให้ห่างจาก ชิ้นส่วนที่กำลังหมุน เสื้อผ้าที่หลวมหรือยาวรุ่มร่าม

เครื่องประดับ หรือผมที่ยาว อาจเข้าไปพันกับชิ้นส่วนที่กำลังหมุน

ข. หากมีอุปกรณ์สำหรับดูดและเก็บฝุ่น ต้องตรวจสอบให้แน่ใจว่าได้เชื่อมต่อและใช้งานอุปกรณ์นั้นอย่างเหมาะสม การใช้อุปกรณ์เหล่านี้จะช่วยลดอันตรายที่เกี่ยวข้องกับฝุ่นได้

4. การใช้และการดูแลรักษาเครื่องมือไฟฟ้า

ก. ห้ามมิให้ใช้เครื่องมือไฟฟ้า เลือกใช้เครื่องมือไฟฟ้าที่ถูกต้องตรงกับลักษณะการใช้งานของคุณ เครื่องมือไฟฟ้าที่ถูกต้องย่อมทำงานได้ดีกว่าและปลอดภัยกว่าตามขีดความสามารถที่เครื่องมือได้รับการออกแบบมา

ข. ห้ามใช้เครื่องมือไฟฟ้าถ้าสวิตช์เปิดปิดเครื่องไม่ทำงาน เครื่องมือไฟฟ้าที่ไม่สามารถควบคุมผ่านสวิตช์ได้ ถือว่ามีอันตรายและต้องส่งซ่อม

ค. ถอดปลั๊กของเครื่องมือไฟฟ้าออกจากแหล่งจ่ายไฟและ/หรือแบตเตอรี่ก่อนทำการปรับแต่ง เปลี่ยนอุปกรณ์เสริม หรือจัดเก็บเครื่องมือไฟฟ้า มาตรการเพื่อความปลอดภัยเชิงป้องกันนี้จะช่วยลดความเสี่ยงในการเผลอเปิดเครื่องให้ทำงานโดยไม่ได้ตั้งใจ

ง. เก็บเครื่องมือไฟฟ้าที่ไม่ใช้งานไว้ให้พ้นมือเด็ก และไม่อนุญาตให้บุคคลที่ไม่คุ้นเคยกับเครื่องมือไฟฟ้าหรือคำแนะนำเหล่านี้เป็นผู้ใช้เครื่องมือ เครื่องมือไฟฟ้าอาจก่อให้เกิดอันตรายได้หากอยู่ในมือผู้ใช้ที่ไม่มีความชำนาญ

จ. บำรุงรักษาเครื่องมือไฟฟ้า ตรวจสอบหาส่วนที่บิดเบี้ยวและการกัดขีดในส่วนที่เคลื่อนที่ได้ ชิ้นส่วนที่แตกหักและสภาพอื่นๆ ที่อาจส่งผลกระทบต่อการทำงานของเครื่องมือไฟฟ้า หากชำรุดเสียหาย ให้นำเครื่องมือไปส่งซ่อมก่อนนำมาใช้ อุบัติเหตุจำนวนมากเกิดจากการดูแลรักษาเครื่องมือไฟฟ้าไม่ดีพอ

ฉ. เครื่องมือตัดตัดต้องคมและสะอาดอยู่เสมอ เครื่องมือตัดที่ได้รับการดูแลรักษาอย่างถูกต้อง และมีขอบตัดคมจะมีปัญหาตัดน้อย และควบคุมได้ง่ายกว่า

ข. ใช้เครื่องมือไฟฟ้า อุปกรณ์เสริม และดอกสว่านเป็นต้น ตามคำแนะนำสำหรับสิ่งเหล่านี้ โดยพิจารณาถึงสภาพการทำงานและงานที่ทำเป็นสำคัญ การใช้เครื่องมือไฟฟ้าทำงานอื่นนอกเหนือจากที่กำหนดไว้ อาจทำให้เกิดอันตรายได้

5. การบริการ

ก. ให้ช่างซ่อมที่มีความเชี่ยวชาญเป็นผู้ซ่อมเครื่องมือและใช้อะไหล่แท้เท่านั้น ซึ่งจะช่วยให้มั่นใจได้ว่าเครื่องมือไฟฟ้ายังมีความปลอดภัยอยู่

คำเตือนด้านความปลอดภัยเพิ่มเติมสำหรับเครื่องมือไฟฟ้า



คำเตือน! คำเตือนเพื่อความปลอดภัยเพิ่มเติมสำหรับเครื่องชั้ดกระดาษทราย

♦ **จับเครื่องมือไฟฟ้าตรงพื้นผิวที่มีการหมุน เพราะสายพานขัด / ฐานขัดอาจสัมผัสถูกสายไฟของเครื่องเอง** การตัดถูกสายไฟที่ “มีไฟฟ้า” อาจทำให้พื้นผิวเปิดที่ทำจากโลหะของเครื่องมือ “มีไฟฟ้าผ่าน” และอาจทำให้ผู้ใช้เครื่องมือถูกไฟดูดได้

♦ **ใช้ตัวจับชิ้นงานหรือจับยึดด้วยวิธีอื่นๆ เพื่อยึดและรองชิ้นงานบนแท่นที่มั่นคง** การใช้มีจับหรือให้ชิ้นงานพิงกับลำตัวจะไม่มั่นคงและอาจทำให้สูญเสียการควบคุมได้

♦ **คำเตือน!** การสัมผัสหรือสูดดมฝุ่นละอองที่เกิดจากการขัดด้วยกระดาษทรายอาจเป็นอันตรายต่อสุขภาพของผู้ใช้เครื่องและผู้ที่ใช้ผ่านไปมาได้ ให้สวมหน้ากากกันฝุ่นที่ออกแบบมาเป็นพิเศษสำหรับการป้องกันฝุ่นและควัน และต้องแน่ใจว่าผู้ที่อยู่ภายในพื้นที่ทำงาน หรือกำลังเข้าไปในพื้นที่ทำงานมีการป้องกันด้วยเช่นกัน

♦ **ขัดฝุ่นให้ทั่วบริเวณทั้งหมดหลังจากขัดด้วยกระดาษทรายแล้ว**

♦ **ให้ความระมัดระวังเป็นพิเศษเมื่อขัดสีซึ่งอาจมีส่วนผสมของตะกั่ว หรือเมื่อขัดไม้และโลหะซึ่งอาจก่อให้เกิดฝุ่นพิษได้:**

- อย่าให้เด็กหรือสตรีมีครรภ์เข้าไปในพื้นที่ทำงาน
- อย่านับประทานอาหาร ดื่มน้ำ หรือสูบบุหรี่ในพื้นที่ทำงาน
- กำจัดเศษฝุ่นและเศษอื่นๆ ทั้งอย่างปลอดภัย

♦ เครื่องมือนี้ไม่ได้มีไว้เพื่อการใช้งานโดยบุคคล (ซึ่งรวมถึงผู้เยาว์) ที่มีความบกพร่องทางร่างกายทางการรับรู้สติ หรือทางจิตประสาท หรือขาดประสบการณ์และความรู้ เว้นเสียแต่จะได้รับการควบคุมดูแลหรือคำแนะนำการใช้เครื่องมือโดยผู้ที่รับผิดชอบต่อความปลอดภัยของบุคคลเหล่านั้น เด็กควรได้รับการควบคุมดูแลเพื่อให้แน่ใจว่าเด็กจะไม่เล่นเครื่องมือ

♦ **วัตถุประสงค์ในการใช้งานได้อธิบายไว้ในคู่มือแนะนำการใช้งานฉบับนี้** การใช้งานอุปกรณ์เสริมหรืออุปกรณ์ต่อพ่วง หรือการใช้งานอื่นใดกับเครื่องมืออื่นนอกเหนือจากที่ได้แนะนำไว้ในคู่มือการใช้งานนี้ อาจทำให้เสี่ยงต่อการบาดเจ็บ และ/หรือความเสียหายต่อทรัพย์สินได้

ป้ายสัญลักษณ์บนอุปกรณ์

รูปภาพต่อไปนี้จะปรากฏบนเครื่องมือ:



คำเตือน! เพื่อลดความเสี่ยงต่อการบาดเจ็บ ผู้ใช้ต้องอ่านคู่มือการใช้งานเล่มนี้

ความปลอดภัยทางไฟฟ้า



เครื่องมือนี้มีฉนวนสองชั้น ดังนั้นจึงไม่จำเป็นต้องต่อสายดิน ต้องตรวจสอบแรงดันไฟฟ้าของแหล่งจ่ายไฟให้ตรงกับแรงดันไฟฟ้าบนแผ่นแสดงพิกัดเสมอ

- ◆ เครื่องมือนี้ไม่ได้มีไว้เพื่อการใช้งานโดยผู้เยาว์หรือผู้ที่ขาดความเชี่ยวชาญโดยไม่มีการควบคุมดูแล เด็กต้องได้รับการดูแลเพื่อให้แน่ใจว่าเด็กจะไม่เล่นเครื่องมือ
- ◆ ถ้าสายไฟของตัวเครื่องชำรุดเสียหาย ต้องเปลี่ยนโดยผู้ผลิตหรือศูนย์บริการของ Black & Decker ที่ได้รับอนุญาต เพื่อหลีกเลี่ยงอันตรายที่อาจเกิดขึ้นได้

ส่วนประกอบสำคัญ

เครื่องมือนี้มีส่วนประกอบสำคัญบางส่วนหรือทั้งหมดดังต่อไปนี้

1. สวิตช์เปิด/ปิด
2. ดึงเก็บฝุ่น
3. ช่องเป่าฝุ่น
4. ฐานขัด
5. คันโยกหนีบกระดาษทราย

การประกอบ

คำเตือน! ก่อนการประกอบ ตรวจสอบให้แน่ใจว่าเครื่องมือปิดสวิตช์อยู่และถอดปลั๊กไฟแล้ว

การใส่กระดาษทราย (รูป A และ B)

คำเตือน! ห้ามใช้เครื่องมือโดยยังไม่ได้ใส่กระดาษทรายหรืออุปกรณ์เสริม

ยึดกระดาษทรายด้วยวงโนลอน (รูป A)

คำเตือน! ตรวจสอบให้แน่ใจว่าเครื่องมือปิดสวิตช์อยู่และถอดปลั๊กไฟแล้ว

- ◆ กดกระดาษทรายให้แน่นและสม่ำเสมอลงบนฐานขัด (3) ตรวจสอบให้แน่ใจว่ารูในกระดาษทรายตรงกับรูในฐาน

การใส่กระดาษทรายธรรมดา (รูป B)

คำเตือน! ตรวจสอบให้แน่ใจว่าเครื่องมือปิดสวิตช์อยู่และถอดปลั๊กไฟแล้ว

- ◆ ทำให้กระดาษนุ่มลง โดยการถูด้านที่ไม่หยาบเข้ากับขอบของโต๊ะ
- ◆ กดคันโยกหนีบกระดาษทราย (5) ขึ้น เพื่อปลดคันโยกจากร่องยึด และเปิดตัวหนีบกระดาษทราย (5) โดยการกดลง
- ◆ วางแผ่นกระดาษทรายลงบนฐานขัด (4)
- ◆ สอดขอบของกระดาษทรายเข้าไปในตัวหนีบกระดาษด้านหน้า (5) ตามที่แสดง
- ◆ กดคันโยกของตัวหนีบกระดาษทรายด้านหน้า (5) ลง และ
- ◆ ใส่คันโยกเข้าไปในร่องยึด
- ◆ ดึงกระดาษให้ตึงเล็กน้อย สอด
- ◆ ขอบด้านหลังของกระดาษทรายเข้าไปในตัวหนีบด้านหลัง (5)
- ◆ กดคันโยกของตัวหนีบกระดาษด้านหลัง (5) ลง และเลื่อนเข้าไปในร่องยึด

แผ่นลูฟเวอร์ (รูป C)

ด้วยแผ่นลูฟเวอร์นี้ คุณสามารถทำงานในส่วนที่มีรอยแยกได้ และใช้งานฐานขัดได้ทั้งสองด้าน

- ◆ กำหนดตำแหน่งด้านหน้าของแผ่นลูฟเวอร์ (7) บนฐานขัด (4)
- ◆ ยึดเข้าตำแหน่งด้วยสกรู 4 ตัวที่ให้มาด้วย
- ◆ ใส่แผ่น 1/2 เข้าที่ด้านล่างของแผ่นลูฟเวอร์ ส่วนหนึ่งของแผ่นกระดาษทรายจะต้องพับเข้ามาที่ส่วนหน้าของฐาน
- ◆ เมื่อต้องการถอดแผ่นลูฟเวอร์ (7) ออก ให้ทำขั้นตอนต่างๆ ในลำดับย้อนกลับ

การใส่และถอดถุงเก็บฝุ่น (รูป D)

- ◆ ใส่ถุงเก็บฝุ่น (2) ให้ครอบช่องเป่าฝุ่น (3) ไว้
- ◆ เลื่อนถุงเก็บฝุ่น (2) ไปตามเครื่องมือ และตรวจสอบให้แน่ใจว่าถุงเก็บฝุ่นยึดเข้ากับเครื่องมืออย่างแน่นหนา
- ◆ เมื่อต้องการถอดถุงเก็บฝุ่น (2) ให้ดึงไปทางด้านหลัง และให้หลุดออกจากช่องเป่าฝุ่น

การใช้งาน

คำเตือน! ปล่อยให้เครื่องมือทำงานตามความเร็วของเครื่อง ห้ามใช้งานเกินโหลดที่เหมาะสม

การเปิดและปิดสวิตช์ (ภาพ E)

- ◆ เมื่อต้องการเปิดสวิตช์เครื่องมือ ให้กดส่วนของสวิตช์เปิด/ปิด (1) ที่มีรูปตัว “I”
- ◆ เมื่อต้องการปิดสวิตช์เครื่องมือ ให้กดส่วนของสวิตช์เปิด/ปิด (1) ที่มีรูปตัว “O”

การนำถุงเก็บฝุ่นไปกำจัดฝุ่นออก

- ◆ ควรเทถุงเก็บฝุ่น (6) ทุก 10 นาทีของการใช้งาน
- ◆ เขย่าถุงเก็บฝุ่น (2) เพื่อให้เศษฝุ่นหลุดออกทั้งหมด

ข้อแนะนำเพื่อให้การใช้งานเหมาะสมที่สุด

- ◆ ห้ามวางมือของคุณบนช่องระบายอากาศ
- ◆ อย่าใช้แรงกดเครื่องมือมากเกินไป
- ◆ ตรวจสอบสภาพของกระดาษทรายเป็นประจำ และเปลี่ยนใหม่เมื่อจำเป็น
- ◆ ให้ขัดตามลายไม้เสมอ
- ◆ เมื่อจะขัดชิ้นของสีชิ้นใหม่ก่อนจะทาสีอีกชั้น ให้ใช้กระดาษทรายที่มีความละเอียดมาก ๆ
- ◆ ในการขัดพื้นผิวที่ไม่สม่ำเสมอ หรือขัดลอกชั้นของสี ให้เริ่มด้วยกระดาษทรายหยาบ ส่วนพื้นผิวแบบอื่น ให้เริ่มด้วยกระดาษทรายหยาบปานกลาง ทั้งสองกรณีให้ค่อยๆ เปลี่ยนเป็นกระดาษทรายที่มีความละเอียดเพิ่มขึ้น เพื่อให้ได้ผิวชิ้นงานที่เรียบ
- ◆ สำหรับข้อมูลเพิ่มเติมเกี่ยวกับอุปกรณ์เสริมที่มีจำหน่ายโปรดปรึกษาตัวแทนจำหน่ายของท่าน

การบำรุงรักษา

เครื่องมือ Stanley ของคุณออกแบบมาเพื่อให้สามารถใช้งานได้ยาวนานต่อเนื่องโดยมีการบำรุงรักษาน้อยที่สุด การทำงานในระดับที่สร้างความพึงพอใจได้อย่างต่อเนื่องจะขึ้นอยู่กับ การดูแลรักษาเครื่องมือที่เหมาะสมและการทำความสะอาดอย่างสม่ำเสมอ

คำเตือน! ก่อนทำการบำรุงรักษาเครื่องมือ ให้ปิดสวิตช์และถอดปลั๊กเครื่องมือทุกครั้ง

- ◆ ทำความสะอาดช่องระบายอากาศในเครื่องมือของคุณเป็นประจำโดยใช้แปรงขนอ่อนหรือผ้าแห้ง
- ◆ ทำความสะอาดส่วนหุ้มมอเตอร์เป็นประจำโดยใช้ผ้าสะอาดชุบน้ำหมาดๆ ห้ามใช้น้ำยาทำความสะอาดที่มีฤทธิ์กัดกร่อนหรือมีส่วนผสมของตัวทำละลาย

STEL401 MÁY CHÀ NHÁM 1/4

Thông số kỹ thuật

		STEL401
Điện áp	v	220-240
Công suất đầu vào	w	220
Số vòng (không tải)	/phút	16000
Số dao động (không tải)	/phút	32000
Trọng lượng	kg	1.12

Mục đích sử dụng

Máy chà nhám Stanley được thiết kế để chà gỗ, kim loại, nhựa và các bề mặt sơn.

Hướng dẫn an toàn

Cảnh báo chung về an toàn các dụng cụ điện cầm tay



Cảnh báo! Hãy đọc tất cả các cảnh báo và hướng dẫn về an toàn. Nếu không tuân theo tất cả các hướng dẫn có thể dẫn đến điện giật, cháy và/hoặc chấn thương nghiêm trọng.

Giữ lại tất cả các cảnh báo và hướng dẫn để tham khảo về sau. Thuật ngữ "dụng cụ điện cầm tay" trong phần cảnh báo chỉ dụng cụ chạy bằng điện nguồn (có dây điện) hoặc dụng cụ chạy bằng pin (không có dây điện).

1. An toàn tại nơi làm việc

- Giữ cho nơi làm việc luôn sạch sẽ và đủ ánh sáng.** Những khu vực bừa bộn hoặc thiếu ánh sáng dễ gây tai nạn.
- Không vận hành dụng cụ điện cầm tay trong các môi trường dễ cháy nổ, như các môi trường có chất lỏng, khí hoặc bụi dễ cháy.** Dụng cụ điện cầm tay tạo ra các tia lửa điện có thể gây cháy bụi hoặc bốc khói.
- Không cho trẻ em và những người không liên quan lại gần khi đang vận hành dụng cụ điện cầm tay.** Những lúc xao lãng có thể khiến bạn mất kiểm soát.

2. An toàn điện

- Phích cắm của dụng cụ điện cầm tay phải vừa với ổ cắm.** Không được sửa đổi phích cắm dưới bất kỳ hình thức nào. Không được sử dụng các phích cắm tiếp hợp với những dụng cụ điện cầm tay có nối đất. Phích cắm nguyên gốc và ổ cắm phù hợp sẽ giảm nguy cơ bị điện giật.
- Tránh tiếp xúc với các bề mặt được nối đất như đường ống, lò sưởi, bếp nướng và tủ lạnh.** Nguy cơ bị điện giật sẽ cao hơn nếu có thể bạn nối đất.
- Không được để các dụng cụ điện cầm tay ngoài trời mưa hoặc ở nơi ẩm ướt.** Nước vào trong dụng cụ điện cầm tay sẽ làm tăng nguy cơ bị điện giật.

- Không sử dụng dây điện vào các mục đích khác.** Tuyệt đối không sử dụng dây điện để mang, kéo hoặc rút phích cắm dụng cụ điện cầm tay. Để dây điện cách xa nguồn nhiệt, dầu mỡ, các cạnh sắc hoặc các bộ phận chuyển động. Dây điện bị hỏng hoặc bị vướng sẽ làm tăng nguy cơ bị điện giật.
- Khi vận hành dụng cụ điện cầm tay ngoài trời, hãy sử dụng dây nối dài phù hợp để sử dụng ngoài trời.** Sử dụng dây điện phù hợp để sử dụng ngoài trời sẽ giảm nguy cơ bị điện giật.
- Nếu bắt buộc phải vận hành dụng cụ điện cầm tay ở nơi ẩm ướt, hãy sử dụng nguồn được bảo vệ bởi thiết bị ngắt mạch tự động (RCD).** Sử dụng RCD giúp giảm nguy cơ bị điện giật.

3. An toàn cá nhân

- Hãy tập trung, chú ý vào những gì bạn đang làm và tình táo khi vận hành dụng cụ điện cầm tay.** Không được sử dụng dụng cụ điện cầm tay khi bạn đang mệt hoặc uống rượu bia, sử dụng ma túy hoặc chất kích thích. Một khoảnh khắc mất tập trung trong khi vận hành dụng cụ điện cầm tay có thể dẫn đến chấn thương cá nhân nghiêm trọng.
- Sử dụng các thiết bị bảo hộ cá nhân. Luôn đeo kính bảo hộ.** Thiết bị bảo hộ như mặt nạ chống bụi, giày chống trượt, mũ cứng, hoặc bảo vệ tai nếu được sử dụng ở những điều kiện phù hợp sẽ giảm các chấn thương cá nhân.
- Tránh bật máy không chủ định. Đảm bảo rằng công tắc ở vị trí tắt trước khi nối với nguồn điện và/hoặc pin, khi cầm hoặc mang dụng cụ.** Có thể xảy ra tai nạn nếu đặt ngón tay trên công tắc khi đang cầm dụng cụ điện cầm tay hoặc công tắc của dụng cụ điện cầm tay đang bật khi sạc pin.
- Hãy tháo hết khóa điều chỉnh hoặc cờ lê trước khi bật dụng cụ điện cầm tay.** Cờ lê hoặc khóa vẫn để ở bộ phận đang quay của dụng cụ điện cầm tay có thể dẫn đến chấn thương cá nhân.
- Không được với tay. Hãy đứng ở tư thế thích hợp và luôn giữ thăng bằng.** Điều đó giúp kiểm soát dụng cụ điện cầm tay tốt hơn khi gặp các tình huống không lường trước được.
- Mặc quần áo phù hợp. Không mặc quần áo rộng hoặc đeo đồ trang sức. Giữ cho tóc, quần áo và giày tay tránh xa khỏi các bộ phận chuyển động.** Quần áo rộng, đồ trang sức hoặc tóc dài có thể bị mắc vào các bộ phận chuyển động.
- Nếu các dụng cụ được cung cấp để nối các phương tiện hút hoặc gom bụi, hãy đảm bảo những dụng cụ này được nối và sử dụng đúng cách.** Sử dụng các dụng cụ này có thể giảm các nguy cơ liên quan đến bụi.
- Sử dụng và bảo quản dụng cụ điện cầm tay**
- Sử dụng dụng cụ điện cầm tay phù hợp.** Sử dụng dụng cụ điện cầm tay phù hợp cho ứng dụng của bạn. Dụng cụ điện cầm tay phù hợp sẽ giúp cho công việc tốt hơn và an toàn hơn theo đúng tốc độ được thiết kế.

- b. **Không sử dụng dụng cụ điện cầm tay nếu công tắc không bật và tắt được.** Những dụng cụ điện cầm tay không điều khiển được bằng công tắc đều rất nguy hiểm và cần phải được sửa chữa.
 - c. **Rút phích cắm dụng cụ điện cầm tay khỏi nguồn điện và/hoặc pin trước khi thực hiện điều chỉnh, thay phụ kiện hoặc cất giữ dụng cụ.** Các biện pháp an toàn phòng ngừa này giúp giảm nguy cơ khởi động dụng cụ điện cầm tay một cách tình cờ.
 - d. **Bảo quản các dụng cụ điện cầm tay không sử dụng tránh xa tầm tay trẻ em và không cho phép những người không quen với dụng cụ điện cầm tay hoặc những hướng dẫn này vận hành dụng cụ điện cầm tay.** Dụng cụ điện cầm tay sẽ rất nguy hiểm khi được những người chưa được huấn luyện sử dụng.
 - e. **Bảo trì dụng cụ điện cầm tay. Kiểm tra các bộ phận di chuyển xem có bị lệch hoặc kẹt không, các bộ phận có bị vỡ không và bất kỳ tình trạng nào khác có thể ảnh hưởng đến việc vận hành dụng cụ.** Nếu dụng cụ điện cầm tay bị hỏng, hãy sửa chữa trước khi sử dụng. Rất nhiều tai nạn xảy ra do công tác bảo trì các dụng cụ điện cầm tay kém.
 - f. **Đảm bảo các dụng cụ cắt luôn sắc và sạch sẽ.** Các dụng cụ cắt được bảo trì đúng cách với các cạnh sắc sẽ ít bị kẹt hơn và dễ điều khiển hơn.
 - g. **Sử dụng dụng cụ điện cầm tay, các phụ kiện và mũi khoan... theo các chỉ dẫn này, chú ý đến điều kiện làm việc và công việc cần thực hiện.** Sử dụng dụng cụ điện cầm tay sai mục đích có thể gây nguy hiểm.
- 5. Bảo dưỡng**
- a. **Hãy mang dụng cụ điện cầm tay đi bảo dưỡng bởi nhân viên bảo dưỡng có chuyên môn, chỉ sử dụng các phụ kiện thay thế chính hãng.** Điều này giúp đảm bảo độ an toàn của dụng cụ điện cầm tay đó.

Cảnh báo khác về an toàn dụng cụ điện cầm tay



Cảnh báo! Các hướng dẫn an toàn khác cho máy chà nhám

- ♦ **Chỉ cầm dụng cụ điện cầm tay ở phần bề mặt tay cầm cách điện, vì đai nhám có thể chạm vào dây điện của chính dụng cụ.** Tiếp xúc với dây điện "có điện" có thể truyền điện cho các bộ phận kim loại hở của dụng cụ điện cầm tay và có thể khiến người vận hành bị điện giật.
- ♦ **Dùng kẹp hay áp dụng một biện pháp thực tế khác nhằm bảo đảm và cố định phối gia công trên bàn máy.** Giữ phối bằng tay hay dựa vào người bạn đều làm cho phối không vững và có thể dẫn tới mất kiểm soát.
- ♦ **Cảnh báo!** Tiếp xúc hoặc hít phải bụi sinh ra trong quá trình chà nhám có thể gây nguy hiểm tới sức khỏe của người vận hành và những người xung quanh. Hãy đeo mặt nạ chống bụi được thiết kế riêng để chống bụi và khói và phải đảm bảo rằng những cá nhân trong khu vực làm việc đều được bảo vệ.

- ♦ Phủ toàn bộ bụi sau khi chà nhám đi.
- ♦ Đặc biệt chú ý khi chà nhám sơn chứa chì hoặc khi chà nhám một số loại gỗ và kim loại có thể sinh ra bụi độc:
 - Không cho trẻ em hoặc phụ nữ mang thai vào khu vực làm việc.
 - Không được ăn, uống hoặc hút thuốc trong khu vực làm việc.
 - Thái bỏ bụi và các mảnh vụn khác ở nơi an toàn.
- ♦ Không cho phép những cá nhân (bao gồm cả trẻ em) bị suy giảm năng lực thể chất, trí tuệ hoặc cảm giác, hay người thiếu kinh nghiệm và kiến thức sử dụng dụng cụ điện cầm tay này, trừ khi có sự giám sát hoặc hướng dẫn của người chịu trách nhiệm về vấn đề an toàn của những cá nhân này. Phải giám sát để đảm bảo trẻ không nghịch các thiết bị này.
- ♦ Mục đích sử dụng được mô tả trong tài liệu hướng dẫn này. Việc sử dụng bất kỳ phụ kiện hay đồ gá hoặc thực hiện vận hành dụng cụ này ngoài các mục đích sử dụng khuyến nghị trong tài liệu hướng dẫn này có thể dẫn đến nguy cơ chấn thương cá nhân và/hoặc hư hỏng tài sản.

Ký hiệu trên máy

Trên dụng cụ có các biểu tượng sau:



Cảnh báo! Để giảm nguy cơ chấn thương, người sử dụng phải đọc sổ tay hướng dẫn.

An toàn điện



Do dụng cụ này được cách điện kép nên không cần dây nối đất. Luôn kiểm tra xem nguồn điện có tương ứng với điện thế trên biển thông số định mức hay không.

- ♦ Không cho phép trẻ em hoặc những người ốm yếu sử dụng thiết bị này mà không giám sát. Phải giám sát để đảm bảo trẻ không nghịch thiết bị này.
- ♦ Dây cầm điện bị hỏng phải được thay thế bởi nhà sản xuất hoặc trung tâm bảo hành Black & Decker được ủy quyền để tránh gây nguy hiểm.

Tính năng

1. Công tắc bật/tắt
2. Túi chứa bụi
3. Cửa xả bụi
4. Đai nhám
5. Cản kẹp giấy nhám

Lắp ráp

Cảnh báo! Trước khi lắp ráp, đảm bảo đã tắt và rút phích nguồn của dụng cụ.

Lắp giấy nhám (hình A & B)

Cảnh báo! Tuyệt đối không sử dụng dụng cụ mà không có giấy nhám hoặc phụ kiện phù hợp.

Lắp giấy nhám không cần vòng nịt (hình A) Cảnh báo! Đảm bảo đã tắt và rút phích nguồn của dụng cụ.

- ◆ Ấn mạnh và đều giấy nhám lên đai nhám (4), đảm bảo rằng các lỗ trên giấy nhám khớp với các lỗ của đai.

Lắp giấy nhám thông thường (hình B)

Cảnh báo! Đảm bảo đã tắt và rút phích nguồn của dụng cụ.

- ◆ Làm mềm giấy nhám bằng cách cọ xát mặt không mòn của giấy lên cạnh của mặt bàn.
- ◆ Ấn cần kẹp giấy nhám (5) lên trên để nhả cần ra khỏi khe giữ và mở kẹp giấy (5) bằng cách ấn xuống.
- ◆ Đặt giấy lên đai nhám (4).
- ◆ Đặt cạnh của giấy nhám vào kẹp giấy phía trước (5) như trong hình vẽ.
- ◆ Ấn cần kẹp giấy phía trước (5) xuống dưới và đặt vào khe giữ.
- ◆ Vừa căng nhẹ tờ giấy nhám vừa đặt cạnh sau của giấy vào kẹp giấy phía sau (5).
- ◆ Ấn cần kẹp giấy phía sau (5) xuống dưới và đặt vào khe giữ.

Phụ kiện thông hơi (hình C)

Với phụ kiện này bạn có thể gia công với các khe hở và sử dụng đai nhám ở cả hai mặt.

- ◆ Đặt mặt trước của phụ kiện thông hơi (7) lên đai nhám (4).
- ◆ Cố định phụ kiện bằng bốn vít kèm theo.
- ◆ Đặt giấy nhám 1/2 xuống phía dưới của đế phụ kiện thông hơi. Phần giấy nhám sẽ bao phủ phía trước của đế phụ kiện.
- ◆ Để tháo phụ kiện thông hơi (7), hãy làm theo quy trình ngược lại.

Lắp và tháo túi chứa bụi (hình D)

- ◆ Lắp túi chứa bụi (2) vào cửa xả bụi (3).
- ◆ Trượt túi chứa bụi (2) lên dụng cụ và đảm bảo túi được lắp chắc chắn.
- ◆ Để tháo túi chứa bụi (2), hãy kéo túi về phía sau và ra khỏi cửa xả bụi.

Sử dụng

Cảnh báo! Đảm bảo dụng cụ làm việc ở tốc độ cho phép của dụng cụ. Không được chạy quá tải.

Bật và tắt (Hình E)

- ◆ Để bật dụng cụ lên, ấn vào phần đánh dấu I trên công tắc bật/tắt (1).
- ◆ Để tắt dụng cụ, ấn vào phần đánh dấu O trên công tắc bật/tắt (1).

Đốc hết túi chứa bụi ra

- ◆ Nên đốc túi chứa bụi (2) ra cứ 10 phút một lần. Lắc túi chứa bụi (2) để đốc bụi ra

Gợi ý để sử dụng tối ưu

- ◆ Không được đặt tay lên các khe thông hơi.
- ◆ Không tác dụng lực quá mạnh lên dụng cụ.
- ◆ Thường xuyên kiểm tra tình trạng giấy nhám. Thay thế khi cần thiết.
- ◆ Luôn chà theo thớ gỗ.
- ◆ Khi chà một lớp sơn mới trước khi phủ một lớp khác, hãy sử dụng thêm tấm chà mịn.
- ◆ Trên các bề mặt không bằng phẳng, hoặc khi chà các lớp sơn đi, ban đầu hãy sử dụng một tấm chà thô.
- ◆ Trên các bề mặt khác, hãy sử dụng tấm chà trung bình. Trong cả hai trường hợp, hãy từ từ thay đổi sang dùng tấm chà mịn để hoàn thiện cho nhẵn.
- ◆ Hỏi nhà bán lẻ để biết thêm thông tin chi tiết về các phụ kiện được cung cấp.

Bảo trì

Dụng cụ của Stanley được thiết kế để vận hành trong thời gian dài và ít phải bảo trì nhất. Dụng cụ vận hành liên tục theo ý muốn tùy thuộc vào việc bảo quản dụng cụ đúng cách và vệ sinh thường xuyên.

Cảnh báo! Trước khi tiến hành bảo dưỡng, hãy tắt và rút phích cắm ra khỏi dụng cụ.

- ◆ Thường xuyên lau chùi các khe thông gió trong dụng cụ bằng chổi khô mềm hoặc khăn khô.
- ◆ Thường xuyên lau chùi vỏ động cơ bằng khăn ẩm sạch. Không dùng chất tẩy rửa có chứa dung môi hay chất mài mòn.

