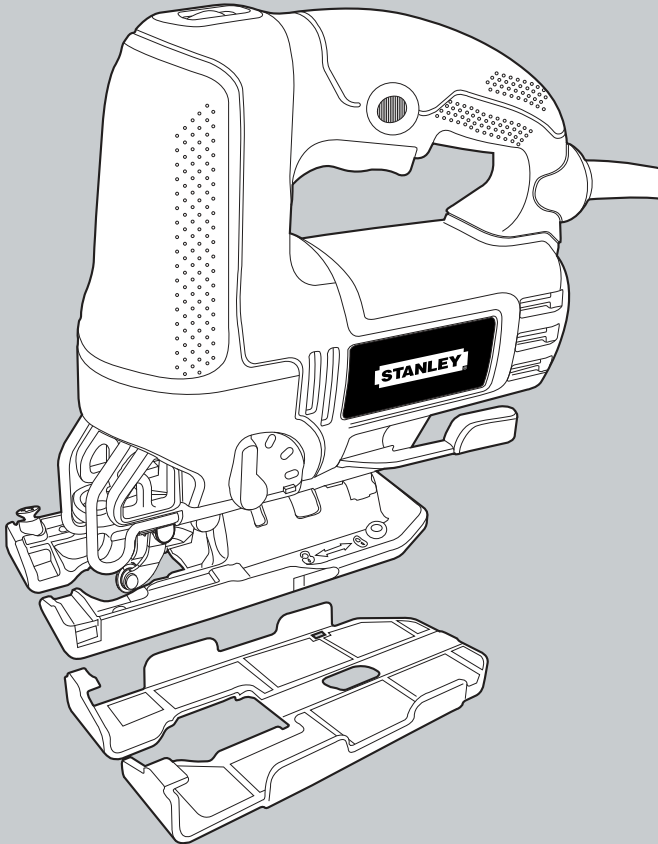


STANLEY

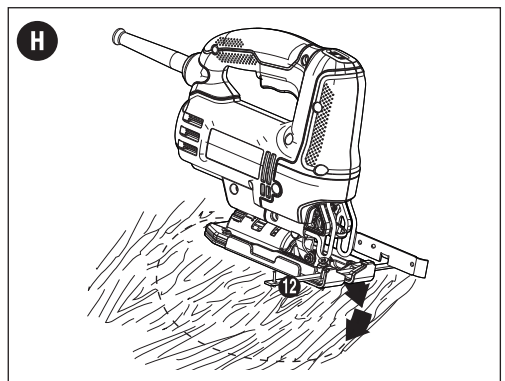
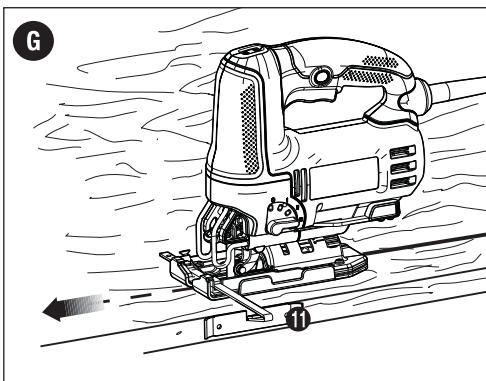
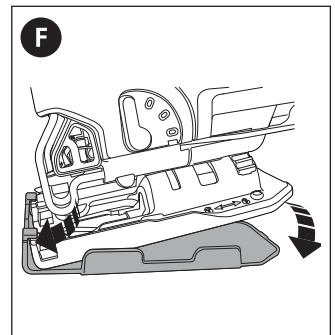
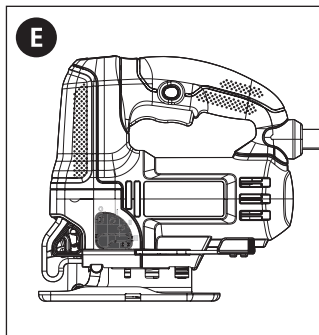
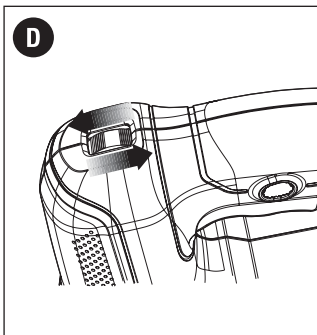
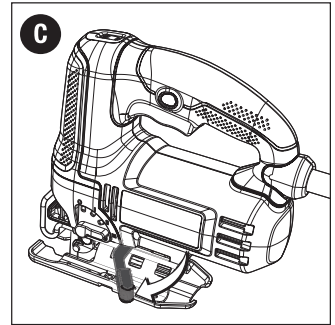
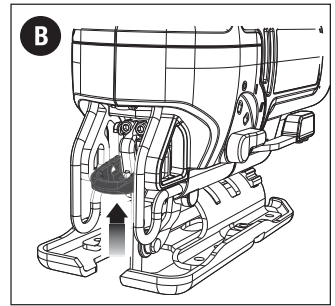
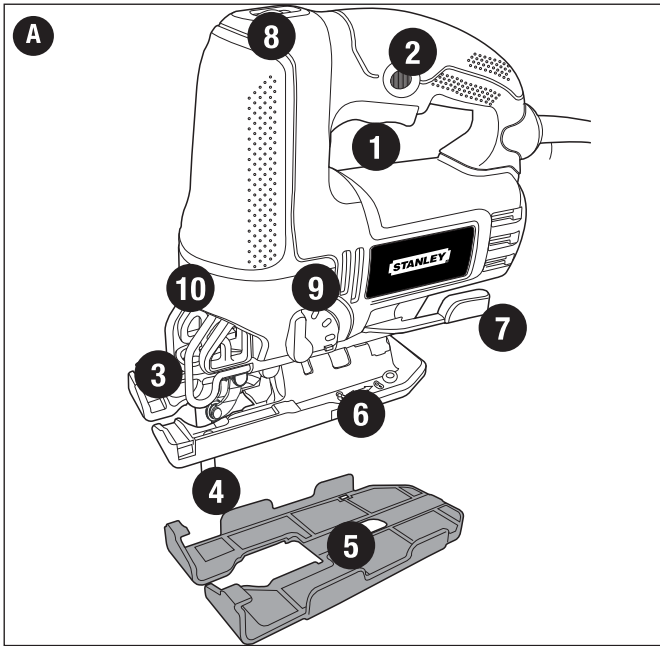
®



STEL345

English
繁體中文

3
7



STEL345 VS ORBITAL JIG SAW

TECHNICAL DATA

SPECIFICATION		STEL345
INPUT VOLTAGE	v	110
POWER INPUT	w	650
NO-LOAD SPEED	/min	0-3,200
STROKE LENGTH	mm	20
WEIGHT	kg	2.7

INTENDED USE

Your Stanley jig-saw has been designed for sawing wood, plastics and sheet metal.

SAFETY INSTRUCTIONS

General power tool safety warnings



Warning! Read all safety warnings and all instructions. Failure to follow all instructions may result in electric shock, fire and/or serious injury.

Save all warnings and instructions for future reference.

The term "power tool" in all of the warnings listed below refers to your mains operated (corded) power tool or battery operated (cordless) power tool.

1. Work area safety

- Keep work area clean and well lit.** Cluttered or dark areas invite accidents.
- Do not operate power tools in explosive atmospheres, such as in the presence of flammable liquids, gases or dust.** Power tools create sparks which may ignite the dust or fumes.
- Keep children and bystanders away while operating a power tool.** Distractions can cause you to lose control.

2. Electrical safety

- Power tool plugs must match the outlet. Never modify the plug in any way.** Do not use any adapter plugs with earthed (grounded) power tools. Unmodified plugs and matching outlets will reduce risk of electric shock.
- Avoid body contact with earthed or grounded surfaces such as pipes, radiators, ranges and refrigerators.** There is an increased risk of electric shock if your body is earthed or grounded.
- Do not expose power tools to rain or wet conditions.** Water entering a power tool will increase the risk of electric shock.
- Do not abuse the cord. Never use the cord for carrying, pulling or unplugging the power tool.** Keep

cord away from heat, oil, sharp edges or moving parts. Damaged or entangled cords increase the risk of electric shock.

- When operating a power tool outdoors, use an extension cord suitable for outdoor use.** Use of a cord suitable for outdoor use reduces the risk of electric shock.
- If operating a power tool in a damp location is unavoidable, use a residual current device (RCD) protected supply.** Use of an RCD reduces the risk of electric shock.

3. Personal safety

- Stay alert, watch what you are doing and use common sense when operating a power tool. Do not use a power tool while you are tired or under the influence of drugs, alcohol or medication.** A moment of inattention while operating power tools may result in serious personal injury.
- Use personal protective equipment. Always wear eye protection.** Protective equipment such as dust mask, non-skid safety shoes, hard hat, or hearing protection used for appropriate conditions will reduce personal injuries.
- Prevent unintentional starting. Ensure the switch is in the off-position before connecting to power source and/or battery pack, picking up or carrying the tool.** Carrying power tools with your finger on the switch or energising power tools that have the switch on invites accidents.
- Remove any adjusting key or wrench before turning the power tool on.** A wrench or a key left attached to a rotating part of the power tool may result in personal injury.
- Do not overreach. Keep proper footing and balance at all times.** This enables better control of the power tool in unexpected situations.
- Dress properly. Do not wear loose clothing or jewellery. Keep your hair, clothing and gloves away from moving parts.** Loose clothes, jewellery or long hair can be caught in moving parts.
- If devices are provided for the connection of dust extraction and collection facilities, ensure these are connected and properly used.** Use of these devices can reduce dust related hazards.


4. Power tool use and care

- Do not force the power tool. Use the correct power tool for your application.** The correct power tool will do the job better and safer at the rate for which it was designed.
- Do not use the power tool if the switch does not turn it on and off.** Any power tool that cannot be controlled with the switch is dangerous and must be repaired.
- Disconnect the plug from the power source and/or**

the battery pack from the power tool before making any adjustments, changing accessories, or storing power tools. Such preventive safety measures reduce the risk of starting the power tool accidentally.


- d. **Store idle power tools out of the reach of children and do not allow persons unfamiliar with the power tool or these instructions to operate the power tool.** Power tools are dangerous in the hands of untrained users.
 - e. **Maintain power tools. Check for misalignment or binding of moving parts, breakage of parts and any other condition that may affect the power tools operation. If damaged, have the power tool repaired before use.** Many accidents are caused by poorly maintained power tools.
 - f. **Keep cutting tools sharp and clean.** Properly maintained cutting tools with sharp cutting edges are less likely to bind and are easier to control.
 - g. **Use the power tool, accessories and tool bits etc. in accordance with these instructions, taking into account the working conditions and the work to be performed.** Use of the power tool for operations different from those intended could result in a hazardous situation.
5. **Service**
- a. **Have your power tool serviced by a qualified repair person using only identical replacement parts.** This will make sure that the safety of the power tool is maintained.

ADDITIONAL POWER TOOL SAFETY WARNINGS

 **WARNING:** Additional safety warnings for jigsaws.

- **Hold power tool by insulated gripping surfaces, when performing an operation where the cutting accessory may contact hidden wiring or its own cord.** Cutting accessory contacting a "live" wire may make exposed metal parts of the power tool "live" and could give the operator an electric shock.
- **Use clamps or another practical way to secure and support the workpiece to a stable platform.** Holding the work by hand or against your body leaves it unstable and may lead to loss of control.
- **Keep hands away from cutting area.** Never reach underneath the work piece any reason. Do not insert fingers or thumb into the vicinity of the reciprocating blade and blade clamp. Do not stabilize the saw by gripping the shoe.

- **Keep blades sharp.** Dull or damaged blades may cause the saw to swerve or stall under pressure. Always use the appropriate type of saw blade for the workpiece material and type of cut.
- **When cutting pipe or conduit, make sure that they are free from water, electrical wiring, etc.**
- **Do not touch the workpiece or the blade immediately after operating the tool.** They can become very hot.
- **Be aware of hidden hazards, before cutting into walls, floors or ceilings, check for the location of wiring and pipes.**
- **The blade will continue to move after releasing the switch.** Always switch the tool off and wait for the saw blade to come to a complete standstill before putting the tool down.

 **WARNING:** Contact with, or inhalation of dusts arising from cutting applications may endanger the health of the operator and possible bystanders. Wear a dust mask specifically designed for protection against dust and fumes and ensure that persons within or entering the work area are also protected.

- This tool is not intended for use by persons (including children) with reduced physical, sensory or mental capabilities, or lack of experience and knowledge, unless they have been given supervision or instruction concerning use of the appliance by a person responsible for their safety. Children should be supervised to ensure that they do not play with the appliance.
- The intended use is described in this instruction manual. The use of any accessory or attachment or performance of any operation with this tool other than those recommended in this instruction manual may present a risk of personal injury and/or damage to property

LABELS ON TOOLS



Warning! To reduce the risk of injury, the user must read the instruction manual.

ELECTRICAL SAFETY



This tool is double insulated; therefore no earth wire is required. Always check that the power supply corresponds to the voltage on the rating plate.

- This appliance is not intended for use by young or infirm persons without supervision. Children must be supervised to ensure they do not play with the appliance.
- If the supply cord is damaged, it must be replaced by the manufacturer or an authorised Stanley Service Centre in order to avoid a hazard.

SYMBOLS

The label on your tool may include the following symbols:

VVolts
AAmperes
HzHertz
WWatts
minminutes
~Alternating current
—Direct current
n ₀No load speed
ⓘClass I Construction (grounded)
⊕Earthing terminal
⊞Class II Construction
⚠Safety alert symbol
.../minRevolutions or reciprocations per minute
sfpmsurface feet per minute

FEATURES (FIGURE A)

1. Trigger switch
2. Lock-on button
3. Saw blade locking lever
4. Saw blade
5. Shoe sleeve
6. Shoe
7. Shoe beveling lever
8. Speed control wheel
9. Cutting action lever
10. LED Light

OPERATION



Before attempting any of the following operations, make sure that the tool is switched off and unplugged and that the saw blade has stopped. Used saw blades can be hot. The tool always is supplied via residual current device with a rated residual current of 30 mA or less.

BLADE INSTALLATION (FIGURE B)

- Push the saw blade locking lever (3) upward.
- With teeth facing forward, insert the shank of the saw blade into the blade holder as far as it will go.

- Release the lever.
- Check to ensure blade is secure before cutting.

ADJUSTING THE SHOE FOR BEVEL CUTS(FIGURE C)



Never use the tool when the shoe is loose or removed. The shoe plate can be set to a left or right bevel angle of up to 45°.

To set the bevel angle:

- Pull the shoe beveling lever (7) out and away from the saw to unlock the shoe (6) as shown in **figure C**
- Slide the shoe forward to release it from the 0° positive stop position.
- The shoe can be beveled to the left or to the right and has detents at 15°, 30° and 45°.
- Set the shoe to the desired bevel angle. Use a protractor to verify angle accuracy.
- Push the shoe beveling lever back towards the saw to lock the shoe.

To reset the shoe for straight cuts:

- Pull the shoe beveling lever (7) out and away from the saw to unlock the shoe (6) as shown in **figure C**.
- Rotate shoe to an angle of approximately 0° and then pull shoe backwards to engage the 0° positive stop.
- Push the shoe beveling lever back towards the saw to lock the shoe.

SWITCHING ON AND OFF

- To switch the tool on, squeeze the trigger switch (1).
- For continuous operation, squeeze the trigger switch then depress the lock-on button (2). Once lock-on button is depressed, release the trigger switch.
- To switch the tool off, release the trigger switch. To switch the tool off, when in continuous operation, squeeze the trigger and the lock will disengage.

VARIABLE SPEED CONTROL (FIGURE D)

A speed control wheel (8) is located on the top of the saw. The speed increases as the wheel is turned from a low speed setting of 1 to a high speed setting of 7.

CUTTING ACTION – ORBITAL OR STRAIGHT (FIGURE E)



Check that the tool is not locked **ON** before connecting it to a power supply. If the trigger switch is locked **ON** when the tool is connected to the power supply, it will start immediately. Damage to your tool or personal injury may result.

This jig saw is equipped with four cutting actions, three orbital and one straight. Orbital action has a more aggressive blade motion and is designed for cutting in soft materials like wood or plastic. Orbital action provides a faster cut, but with a less smooth cut across the material. In orbital action, the blade moves forward during the cutting stroke in addition to the up and down motion.

NOTE: Metal or hardwoods should never be cut in orbital action.

To adjust the cutting action:

- Move the cutting action lever (9) between the four cutting positions: 0, 1, 2, and 3.
- Position 0 is straight cutting.
- Positions 1, 2, and 3 are orbital cutting.
- The aggressiveness of the cut increases as the lever is adjusted from one to three, with three being the most aggressive cut.

LED LIGHT

The jig saw is equipped with a light which projects on the cutting path.

- The light will come on when the trigger switch is depressed and will go off when the trigger switch is released.

REMOVABLE SHOE SLEEVE (FIGURE F)

The non-marring shoe sleeve (5) should be used when cutting surfaces that scratch easily, such as laminate, veneer, or paint. It can also be used to protect the shoe surface during transportation and storage.

To attach shoe sleeve, place the front of the shoe (6) into the front of the shoe sleeve (5) and lower the jig saw as shown in **figure F**. The shoe sleeve will click securely onto the rear of the shoe.

To remove shoe sleeve, grasp the sleeve from the bottom at the two rear tabs and pull down and away from the shoe.

Hints for optimum use

Sawing laminates

As the saw blade cuts on the upward stroke, splintering may occur on the surface closest to the shoe plate.

- Use a fine-tooth saw blade.
- Saw from the back surface of the workpiece.
- To minimize splintering, clamp a piece of scrap wood or hardboard to both sides of the workpiece and saw through this sandwich.

Sawing metal

- Be aware that sawing metal takes much more time than sawing wood.
- Use a saw blade suitable for sawing metal.
- When cutting thin metal, clamp a piece of scrap wood to the back surface of the workpiece and cut through this sandwich.
- Spread a film of oil along the intended line of cut for easier operation and longer blade life. For cutting aluminum, kerosene is preferred.

RIP / CIRCLE CUTTING (FIGURE G, H)

Ripping and circle cutting without a pencil line are easily done with the rip fence / circle guide (not included - available at extra cost).

Using the screw supplied with the accessory guide, position as shown in **figure G** and thread the screw into the shoe to clamp the fence securely.

When ripping, position as shown in **figure G** and slide the rip fence under the screw from either side of the saw. Set the cross bar (10) at desired distance from blade and tighten screw. For ripping, the cross bar should be down and against the straight edge of the workpiece as shown.

When circle cutting, adjust rip fence so that distance from blade to hole in fence arm (11) is at the desired radius and tighten screw. Place saw so that hole in fence arm is over center of circle to be cut (drill hole for blade or cut inward from edge of material to get blade into position). When saw is properly positioned, drive a small nail through hole in fence arm. Using rip fence as a pivot arm, begin cutting circle. For circle cutting, the cross bar should be up, as shown in **figure H**.

MAINTENANCE

Your Stanley power tool has been designed to operate over a long period of time with a minimum of maintenance. Continuous satisfactory operation depends upon proper tool care and regular cleaning.

- Regularly clean the ventilation slots in your tool using a soft brush or dry cloth.
- Regularly clean the motor housing using a damp cloth. Do not use any abrasive or solvent-based cleaner. Never let any liquid get inside the tool and never immerse any part of the tool into liquid.

STEL345 線鋸機

技術資料

規格	STEL345	
輸入電壓	伏特	110
電源輸入	瓦特	650
空載轉速	/分	0-3,200
衝程長度	公釐	20
重量	千克	2.7

設計用途

您的 Stanley 線鋸機設計用於切割木材、塑膠和金屬板材。

安全指示

電動工具一般安全警告



警告！請閱讀所有安全警告及指示。不遵循下列的所有指示可能會導致觸電、火災及/或嚴重傷害。

請妥善保存所有的警告和使用手冊以備將來查閱。下列所有警告中的名詞「電動工具」是指電源驅動（插電）電動工具，或者電池驅動（充電）電動工具。

1. 工作場地安全

- 保持工作場地清潔和明亮。混亂或黑暗的場地會引發事故。
- 不要在易爆環境，如有易燃液體、氣體或塵埃的環境中操作電動工具。電動工具產生的火花會點燃塵埃或氣體。
- 請等待兒童和旁觀者離開之後才操縱電動工具。分心會導致您疏於控制。

2. 電力安全

- 電動工具插頭必須與插座相符。請勿以任何方式改裝插頭。需接地的電動工具不能使用任何配接器插頭。未經改裝的插頭和相符的插座可以減少觸電危險。
- 避免人體接觸接地表面，如管道、散熱片、爐灶和冰箱。若您的身體接地，會增加觸電危險。
- 不得將電動工具暴露在雨中或潮濕環境中。水進入電動工具會增加觸電危險。
- 請勿濫用電線。請勿使用電線來搬運、拉動電動工具或拔出插頭。讓電線遠離熱、油、銳邊或活動部件。受損或纏繞的電線會增加觸電危險。

- 若要在戶外使用電動工具，請使用適合戶外使用的延長電線。使用適合戶外使用的電線可減少觸電危險。
- 若必須在潮濕場合使用電動工具，請使用漏電保護器 (RCD)。使用 RCD 可降低觸電危險。

3. 人身安全

- 保持警覺；在操作電動工具時，請留意所執行的操作並按照一般的流程執行。請勿在疲倦，或受到藥物、酒精或治療的影響下操作電動工具。操作電動工具期間注意力分散會導致嚴重人身傷害。
- 使用個人防護裝置。始終佩戴護目裝備。防護裝置，例如在適當條件下使用的防塵面具、防滑安全鞋、安全帽或聽力保護等裝置可減少人身傷害。
- 避免意外啟動。連接電源/或電池組、檢取或搬運電動工具之前，請確定開關處於關閉位置。搬運電動工具時若將手指放在開關上，或是在接通開關電源時插入插頭都會引發危險。
- 接通電動工具之前，請卸下所有的調整鑰匙或扳手。遺留在電動工具旋轉部件上的扳手或鑰匙會導致人身傷害。
- 不要過度伸張雙手。時刻注意腳下和身體的平衡。如此即可在發生意外的情況下更好地控制電動工具。
- 適當穿著。不要穿寬鬆衣服或佩戴飾品。讓您的頭髮、衣服和手套遠離活動部件。寬鬆衣服、佩飾或長髮可能會捲入活動部件。
- 若配備用於連接排屑裝置、集塵設備的裝置，請確定正確連接和使用這些裝置。使用這些裝置可減少與塵埃有關的危險。

4. 電動工具的使用與注意事項

- 不要超負荷使用電動工具。根據您的用途使用適當的電動工具。使用適當的電動工具在其設計可負荷的應用內，會讓您更有效、更安全地執行工作。
- 若開關不能開啟或關閉電源，請勿使用該電動工具。不能用開關來控制的電動工具將存在危險，因此必須進行修理。
- 在執行任何調整、更換配件或儲存電動工具之前，請從電源上拔掉插頭及/或卸下電池組。這類防護性安全措施可降低電動工具意外啟動的風險。
- 將閒置的電動工具儲存在兒童無法接觸的地方，並且不要讓不熟悉電動工具或對這些使用指示不瞭解的人員操作電動工具。電動工具在未經培訓的使用者手中會發生危險。
- 維護電動工具。檢查活動部件是否對準或卡住、破損情況以及是否存在影響電動工具運行的其他情況。若有損毀，必須在使用之前修理電動工具。


具。許多事故都是由於電動工具欠缺維護所導致。

- f. 保持刀具鋒利和清潔。妥善維護、切削鋒利的刀具不會輕易卡住並可更輕鬆控制。
- g. 遵循使用指示以及工作條件和所要執行的工作使用電動工具、配件和工具刀頭等。不按照設計目的使用電動工具會導致危險。


5. 檢修

- a. 本電動工具必須由合格的維修人員並只採用相同的替換零件來執行檢修。這樣將確保電動工具的安全。

電動工具之附加安全警告

 **警告：**線鋸機之附加安全警告。

- 若在執行操作時切削配件可能會接觸隱藏的電線或它本身的電線，則只能從絕緣手柄表面握住電動工具。若切削配件接觸到「帶電」導線，電動工具金屬部件表面就會「帶電」，從而導致操作人員觸電。
- 使用夾具或老虎鉗，將工件固定、支撐到穩定的平台上。手持工件或用身體抵住工件會使工件不穩定並可能導致失控。
- 雙手遠離切割區域。不論任何原因，都不要接觸工件下方。請勿將手指或大拇指伸入軍刀鋸和鋸片夾具的鄰近區域。請勿通過緊握導板來穩固電鋸。
- 保持鋸片鋒利。鈍化或損壞的鋸片會導致電鋸在壓力下偏斜或停止。始終使用與工件材料和切割類型相符的鋸片。
- 切割管道或導管時，請確認其中無水或電線等障礙物。
- 請勿在使用工具後馬上觸摸工件或鋸片。它們可能會變得很燙。
- 注意隱藏的風險。在切割牆體、地板和天花板之前，請檢查電線和管道位置。
- 鬆開開關後，鋸片將繼續運動。始終關閉工具電源並等待鋸片完全停止下來後才將工具放下。

 **警告：**接觸或吸入切割作業所產生的塵埃可能會危害操作人員和附近相關人員的健康。請佩戴專門設計的防塵、防毒氣面具，確保區域內或進入區域內的人員也受到保護。

- 體力、感覺或智力不足，或者缺乏經驗及知識的人員（包括小孩）不適合使用本工具，除非負責他們安全的人員已經為他們提供關於使用此器具的監督或指示。必須監督小孩，確保他們沒有耍玩器具。
- 工具的設計用途在本說明書中描述。使用非本說明書所建議的任何其他配件或附件，或使用

本工具執行本說明書中所建議之外的任何其他操作，可能會導致人身傷害及／或財產損害的危險。

工具上的標籤



警告！為了降低受傷的風險，使用者必須仔細閱讀使用手冊。

電力安全



本工具採用雙重絕緣，因此無需接地線。請務必檢查電源電壓是否與銘牌一致。

- 除非有人監督，年紀小或體弱的人不適合使用本器具。必須監督小孩，確保他們沒有耍玩器具。
- 若電源線損毀，必須讓製造廠商或授權的 Stanley 服務中心更換以避免發生危險。

符號

您的工具上可能包含下列符號：

V	伏特
A	安培
Hz	赫茲
W	瓦特
Min	分鐘
~	交流電
—	直流電
n ₀	空載轉速
⚠	I 級結構（接地）
⊕	接地終端
⚠	II 級結構
⚠	安全警告符號
.../min	每分鐘轉數或往返數
sfpm	每分鐘平方英尺

功能部件（圖 A）

1. 觸發開關
2. 鎖定按鈕
3. 鋸片鎖定桿
4. 鋸片
5. 導板保護套
6. 導板
7. 導板斜角控制桿
8. 轉速控制輪
9. 切割模式撥桿
10. LED 指示燈

操作步驟




進行以下任何操作之前，請確保工具開關關閉並拔出插頭，鋸片已停止運轉。使用過的鋸片可能會發燙。工具電源始終使用漏電保護器（RCD），額定剩

餘電流小於或等於 30 mA。

安裝鋸片 (圖 B)

- 向上推鋸片鎖定桿 (3)。
- 保持鋸齒朝前，將鋸片柄蓋可能插入鋸片座中。
- 釋放鎖定桿。
- 切割前，檢查鋸片是否安裝牢固。

調整導板，進行斜角切割 (圖 C)

 請勿在導板鬆動或已被卸下後使用本工具。導板左、右最大斜角為 45°。

設定斜角：

- 將導板斜角控制桿 (7) 拔出並向外拉離工具以釋放導板 (6)，如圖 C 所示。
- 向前滑動導板，將其從 0° 前擋塊位置釋放。
- 導板可以向左或向右傾斜，可在 15°、30° 和 45° 位置定位。
- 將導板設定至所需的斜角。使用量角器檢查角度的準確性。
- 將導板斜角控制桿向內推以鎖定導板。

將導板復位，進行直線式切割：

- 將導板斜角控制桿 (7) 拔出並向外拉離工具以釋放導板 (6)，如圖 C 所示。
- 轉動導板至近似 0°，然後向後拉動導板，使 0° 前擋塊啮合。
- 將導板斜角控制桿向內推以鎖定導板。


開啟和關閉

- 若要打開工具電源，請壓擠觸發開關 (1)。
- 若要持續運行，請壓擠觸發開關，然後再按下鎖定按鈕 (2)。按下鎖定按鈕後，即可釋放觸發開關。
- 若要將工具關掉，請鬆開觸發開關。若要在工具正在持續運行時將工具關掉，請壓擠觸發開關，鎖定即解除。

變速控制 (圖 D)

電鋸頂部設有轉速控制輪 (8)。將控制輪從低速設定 1 轉向高速設定 7 時，工具轉速將增加。

切割模式——軌道式或直線式 (圖 E)

 連接工具電源之前，請確保工具開關沒有處於鎖定狀態。若工具連接至電源時，觸發開關處於鎖定狀態，工具將立即啟動，從而造成工具損壞或人身傷害。

本線鋸機設有四種切割模式，三種為軌道式，一種為直線式。軌道式切割的切割強度較大，設計用於切割

較軟的材料，如木材和塑膠。軌道式切割轉速更快，但在材料的裁面方面卻沒那麼光滑。進行軌道式切割時，鋸片在切削過程中除了上下運動之外，還會向前運動。

注： 請勿使用軌道式模式切割金屬或硬木材料。

切割模式調整步驟：

- 將切割模式撥桿 (9) 在四個模式 (0、1、2 和 3) 位置間移動。
- 0 位置為直線切割模式。
- 1、2 和 3 位置則為軌道式切割模式。
- 撥桿從 1 到 3 變化時，切割強度增加。3 位置的切割強度最高。

LED 指示燈

本線鋸機配有 LED 指示燈，該燈可照亮切割路線。

- 按下觸發開關時，LED 指示燈將亮起，鬆開觸發開關時，LED 指示燈將熄滅。

拆卸式導板保護套 (圖 F)

在切割易劃傷的表面時，例如層壓板、膠合板和油漆面，應使用防刮導板保護套 (5)。該保護套也能在工具的輸送和儲存階段為導板提供保護。

若要裝上導板保護套，請將導板 (6) 的前部放入導板保護套 (5) 的前部，然後放下線鋸機，如圖 F 所示。導板保護套將牢固地扣合到導板後部。

若要卸下導板保護套，請從底部抓住保護套的兩個後側凸臺，從底板上拉出保護套。

最佳使用提示

切割層壓板

因為鋸片將在向上衝程中進行切割，因此切割材料最接近導板的表面將有可能出現劈裂痕跡。

- 使用細齒鋸片。
- 從工件的背面切割。
- 為盡可能減少劈裂，請在工件的兩側墊上廢木板或硬紙板，與工件一同切割。

切割金屬

- 請注意，切割金屬所需花費的時間要比切割木材要多得多。
- 使用適合切割金屬的鋸片。
- 切割薄板金屬時，請在工件的背面墊上廢木板，與工件一同切割。
- 為更容易操作和延長鋸片壽命，請沿切割線提塗上一層油膜。切割鋁材時，最好使用煤油。

縱向 / 圓周切割 (圖 G、H)

使用平行擋板 / 圓導規 (不隨附，可另行購買) 可輕鬆進行縱向 / 圓周切割，而無需畫鉛筆線。

使用隨配件指導提供的螺釘，按圖 G 所示定位，然後將螺釘擰到導板上，將擋板牢固固定。

縱向切割時，請按圖 G 所示定位，然後將電鋸下的

平行擋板向電鋸的任一側滑動。根據橫桿 (10) 與鋸片之間的所需距離，將橫桿定位並緊固螺釘。縱向切割時，橫桿應向下並頂住工件的直邊，如圖所示。圓周切割時，調整平行擋板，使鋸片與擋板臂 (11) 上圓孔之間的距離等於所需半徑，然後緊固螺釘。調整電鋸位置，使圓孔對準圓周的圓心（鑽孔放置鋸片，或從材料邊緣向內切割直至所需位置）。調好電鋸位置後，在圓孔中釘上一個小釘子。將平行擋板作為樞軸臂，開始圓周切割。圓周切割時，橫桿應向上，如圖 H 所示。

維護

Stanley 電動工具採用卓越的設計，能夠長時間使用，並且只需最少的維護。若要持續獲得滿意的操作效果，需進行正確的工具維護和定期的清潔。

- 定期使用軟刷或幹布清潔工具內的通風槽。
- 定期使用濕布清潔電動機外殼。請勿使用任何研磨型或溶劑型清潔劑。不要讓任何液體進入工具；不要讓工具的任何部分浸入液體中。

進口商: 永安實業股份有限公司

電話: 02-29994633

地址: 新北市三重區中山路286號1F

