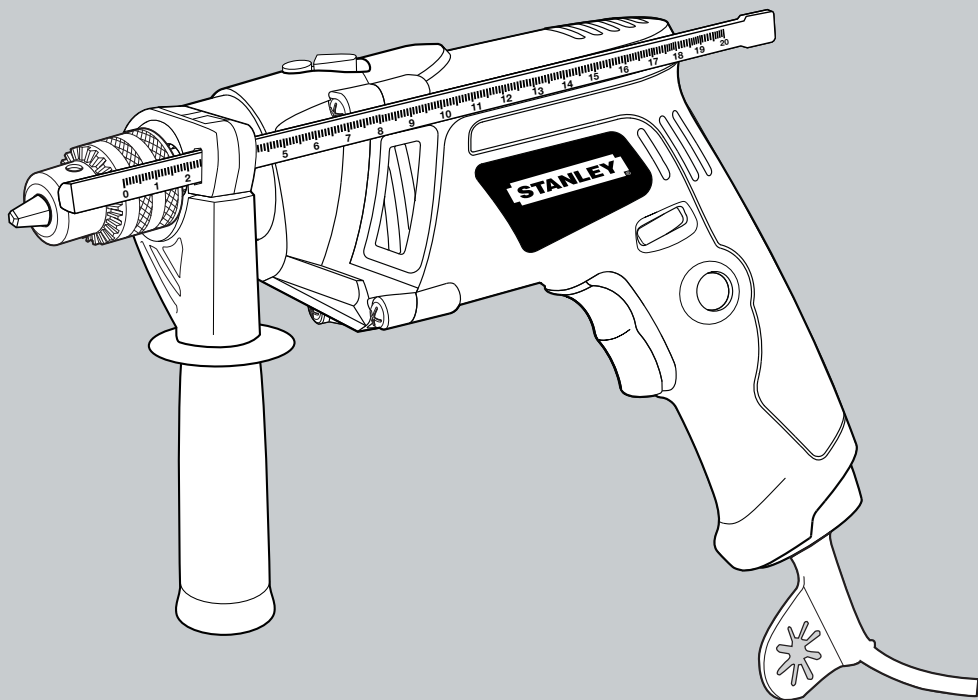


STANLEY

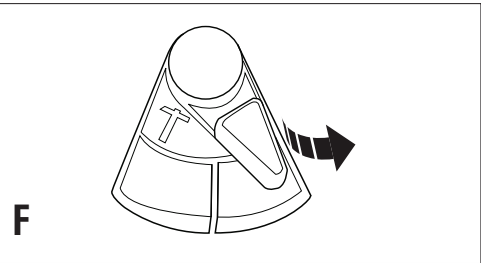
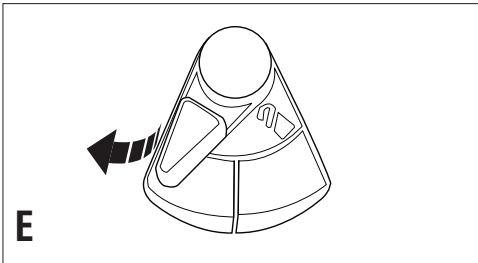
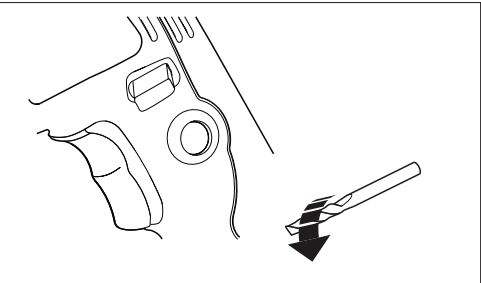
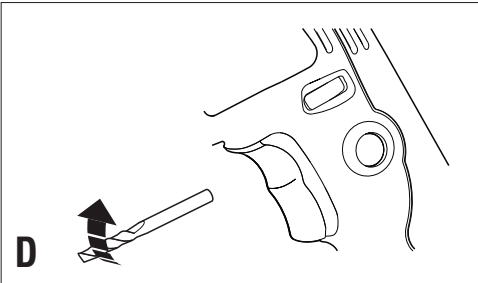
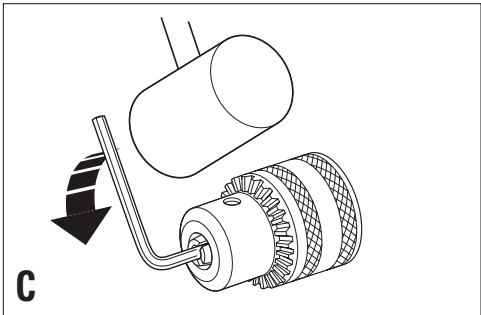
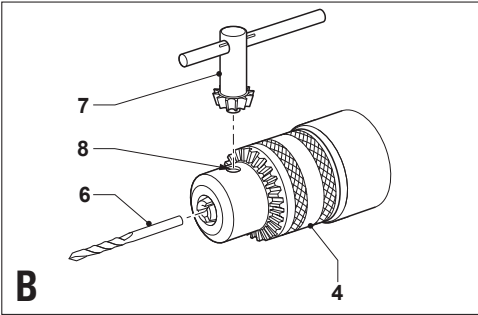
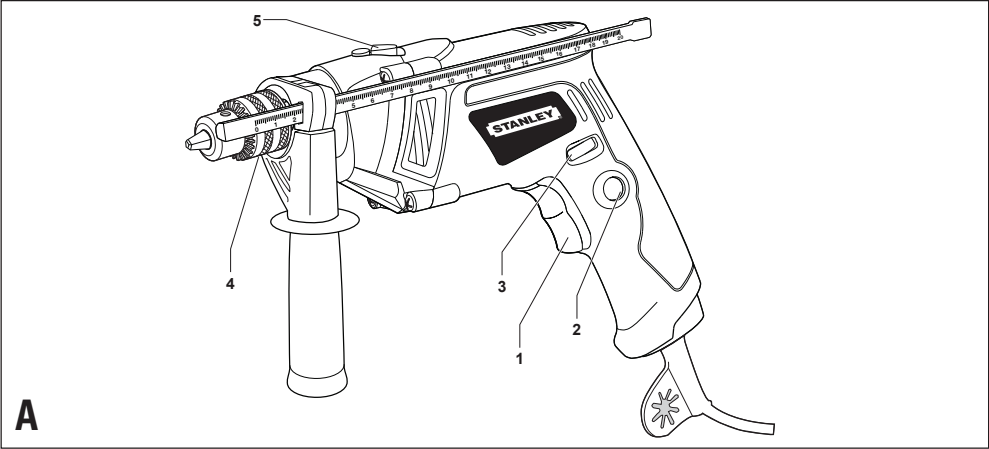
®



STEL146

English
繁體中文

3
6



STEL 146

13mm Percussion Drill

Technical data

SPECIFICATION	STEL146	
POWER	W	620
NO-LOAD SPEED	/min	0-3000
REVERSE	Yes	
MAX.DRILLING CAPACITY		
-STEEL	mm	13
-WOOD	mm	30
-MASONRY	mm	16
CABLE LENGTH	m	3
WEIGHT	kg	1.8

Intended use

Your Stanley percussion drill has been designed for drilling in wood, metal, plastics and masonry.

General safety rules

Warning! Read all instructions. Failure to follow all instructions listed below may result in electric shock, fire and/or serious injury. The term "power tool" in all of the warnings listed below refers to your mains operated (corded) power tool or battery operated (cordless) power tool.

SAVE THESE INSTRUCTIONS.

1. Work area

- Keep work area clean and well lit.** Cluttered and dark areas invite accidents.
- Do not operate power tools in explosive atmospheres, such as in the presence of flammable liquids, gases or dust.** Power tools create sparks which may ignite the dust or fumes.
- Keep children and bystanders away while operating a power tool.** Distractions can cause you to lose control.

2. Electrical safety

- Power tool plugs must match the outlet. Never modify the plug in any way. Do not use any adapter plugs with earthed (grounded) power tools.** Unmodified plugs and matching outlets will reduce risk of electric shock.
- Avoid body contact with earthed or grounded surfaces such as pipes, radiators, ranges and refrigerators.** There is an increased risk of electric shock if your body is earthed or grounded.
- Do not expose power tools to rain or wet conditions.** Water entering a power tool will increase the risk of electric shock.

- Do not abuse the cord. Never use the cord for carrying, pulling or unplugging the power tool. Keep cord away from heat, oil, sharp edges or moving parts.** Damaged or entangled cords increase the risk of electric shock.
- When operating a power tool outdoors, use an extension cord suitable for outdoor use.** Use of a cord suitable for outdoor use reduces the risk of electric shock.

3. Personal safety

- Stay alert, watch what you are doing and use common sense when operating a power tool. Do not use a power tool while you are tired or under the influence of drugs, alcohol or medication.** A moment of inattention while operating power tools may result in serious personal injury.
 - Use safety equipment. Always wear eye protection.** Safety equipment such as dust mask, non-skid safety shoes, hard hat, or hearing protection used for appropriate conditions will reduce personal injuries.
 - Avoid accidental starting. Ensure the switch is in the off position before plugging in.** Carrying power tools with your finger on the switch or plugging in power tools that have the switch on invites accidents.
 - Remove any adjusting key or wrench before turning the power tool on.** A wrench or a key left attached to a rotating part of the power tool may result in personal injury.
 - Do not overreach. Keep proper footing and balance at all times.** This enables better control of the power tool in unexpected situations.
 - Dress properly. Do not wear loose clothing or jewellery. Keep your hair, clothing and gloves away from moving parts.** Loose clothes, jewellery or long hair can be caught in moving parts.
 - If devices are provided for the connection of dust extraction and collection facilities, ensure these are connected and properly used.** Use of these devices can reduce dust related hazards.
 - Use clamps or another practical way to secure and support the workpiece to a stable platform.** Holding the work by hand or against your body leaves it unstable and may lead to loss of control.
Before drilling into walls, floors or ceilings check for the location of wiring and pipes.
Avoid touching the tip of a drill bit just after drilling, as it may be hot.
- ##### 4. Power tool use and care
- Do not force the power tool. Use the correct power tool for your application.** The correct power tool will do the job better and safer at the rate for which it was designed.

- b. **Do not use the power tool if the switch does not turn it on and off.** Any power tool that cannot be controlled with the switch is dangerous and must be repaired.
- c. **Disconnect the plug from the power source before making any adjustments, changing accessories, or storing power tools.** Such preventive safety measures reduce the risk of starting the power tool accidentally.
- d. **Store idle power tools out of the reach of children and do not allow persons unfamiliar with the power tool or these instructions to operate the power tool.** Power tools are dangerous in the hands of untrained users.
- e. **Maintain power tools. Check for misalignment or binding of moving parts, breakage of parts and any other condition that may affect the power tools operation. If damaged, have the power tool repaired before use.** Many accidents are caused by poorly maintained power tools.
- f. **Keep cutting tools sharp and clean.** Properly maintained cutting tools with sharp cutting edges are less likely to bind and are easier to control.
- g. **Use the power tool, accessories and tool bits etc., in accordance with these instructions and in the manner intended for the particular type of power tool, taking into account the working conditions and the work to be performed.** Use of the power tool for operations different from those intended could result in a hazardous situation.
5. **Service**
- a. **Have your power tool serviced by a qualified repair person using only identical replacement parts.** This will ensure that the safety of the power tool is maintained.

Safety warnings for drill

- ◆ **Wear ear protectors when impact drilling.** Exposure to noise can cause hearing loss.
- ◆ **Use auxiliary handle(s), if supplied with the tool.** Loss of control can cause personal injury.
- ◆ **Hold power tool by insulated gripping surfaces, when performing an operation where the cutting accessory may contact hidden wiring or its own cord.** Cutting accessory contacting a "live" wire may make exposed metal parts of the power tool "live" and could give the operator an electric shock.

Electrical safety



This tool is double insulated; therefore no earth wire is required. Always check that the power supply corresponds to the voltage on the rating plate.

Features

This tool includes some or all of the following features.

1. Variable speed switch
2. Lock-on button
3. Forward/reverse slider
4. Chuck
5. Drilling mode selector

Assembly

Warning! Before assembly, make sure that the tool is switched off and unplugged.

Keyed chuck (fig. B)

- ◆ Open the chuck by turning the sleeve counterclockwise.
- ◆ Insert the bit shaft (6) into the chuck.
- ◆ Insert the chuck key (7) into each hole (8) in the side of the chuck and turn clockwise until tight.

Removing and refitting the chuck (fig. C)

- ◆ Open the chuck as far as possible.
- ◆ Remove the chuck retaining screw, located in the chuck, by turning it clockwise using a screwdriver.
- ◆ Tighten an Allen key into the chuck and strike it with a hammer as shown.
- ◆ Remove the Allen key.
- ◆ Remove the chuck by turning it counterclockwise.
- ◆ To refit the chuck, screw it onto the spindle and secure it with the chuck retaining screw.

Use

Warning! Let the tool work at its own pace. Do not overload.

Warning! Before drilling into walls, floors or ceilings, check for the location of wiring and pipes.

Selecting the direction of rotation (fig. D)

For drilling and for tightening screws, use forward (clockwise) rotation. For loosening screws or removing a jammed drill bit, use reverse (counterclockwise) rotation.

- ◆ To select forward rotation, push the forward/reverse slider (3) to the left.
- ◆ To select reverse rotation, push the forward/reverse slider to the right.

Warning! Never change the direction of rotation while the motor is running.





Separate collection of used products and packaging allows materials to be recycled and used again. Re-use of recycled materials helps prevent environmental pollution and reduces the demand for raw materials.

Local regulations may provide for separate collection of electrical products from the household, at municipal waste sites or by the retailer when you purchase a new product.

Drilling model selector

- ◆ To switch the tool on, press the variable speed switch (1). The tool speed depends on how far you press the switch.
- ◆ For continuous operation, press the lock-on button (2) and release the variable speed switch. This option is available only at full speed.
- ◆ To switch the tool off, release the variable speed switch. To switch the tool off when in continuous operation, press the variable speed switch once more and release it.

Switching on and off

- ◆ For drilling in masonry, set the drilling mode selector (5) to the  position. (fig.F)
- ◆ For drilling in other materials, set the drilling mode selector (5) to the  position. (fig.E)

Accessories

The performance of your tool depends on the accessory used. Stanley and Piranha accessories are engineered to high quality standards and designed to enhance the performance of your tool. By using these accessories you will get the very best from your tool.

Maintenance

Your tool has been designed to operate over a long period of time with a minimum of maintenance. Continuous satisfactory operation depends upon proper tool care and regular cleaning.

Warning! Before performing any maintenance, switch off and unplug the tool.

- ◆ Regularly clean the ventilation slots in your tool using a soft brush or dry cloth.
- ◆ Regularly clean the motor housing using a damp cloth. Do not use any abrasive or solvent-based cleaner.

Protecting the environment



Separate collection. This product must not be disposed of with normal household waste.

Should you find one day that your Stanley product needs replacement, or if it is of no further use to you, do not dispose of it with household waste. Make this product available for separate collection.

STEL 146

13mm 電鑽

技術參數

規格	STEL 146	
功率	瓦	620
空載速度	每分鐘轉速	0—3000
正反轉	是	
最大鑽孔直徑		
-鋼材	毫米	13
-木材	毫米	30
-混凝土或石材	毫米	16
電纜長度	米	3
重量	千克	1.8

設計用途

本史丹利震動電鑽是設計用來鑽木材、鋼材以及鎖螺絲之用的。

一般安全規則

警告：閱讀說明。沒有按照以下列舉的說明而使用或操作將導致觸電、著火和/或嚴重傷害。在所有以下列舉的警告中，術語“電動工具”指使用電驅動（有線）電動工具或電池驅動（無線）電動工具。

保存這些說明

1. 工作場地

A) 保持工作場地清潔和明亮。混亂和黑暗的場地會引發事故。

B) 不要在易爆環境，如有易燃液體、氣體或灰塵的環境下操作電動工具。電動工具產生的火花會點燃灰塵或氣體。

C) 讓兒童和旁觀者離開後操縱電動工具。分心會使你放鬆控制。

2. 電氣安全

A) 電動工具的插頭必須與插座相配。不能以任何方式改裝插頭。需接地的電動工具不能使用任何轉換插頭。未經改裝的插頭和相配的插座將減少觸電危險。

B) 避免人體接觸接地表面，如管道、散熱片和冰箱。如果你身體接地會增加觸電危險。

C) 不得將電動工具暴露在雨中或潮濕環境中。水進入電動工具將增加觸電危險。

D) 不得濫用電線。絕不能用電線搬運、拉動電動工具或拔出其插頭。讓電線遠離熱、油、銳邊或運動部件。受損或纏繞的電線會增加觸電危險。

E) 當在戶外使用電動工具時，使用適合戶外使用的外接電線。適合戶外使用的電線將減少觸電危險。

3. 人身安全

A) 保持警覺，當操作電動工具時關注所從事的操作並保持清醒。請勿在有疲倦、藥物、酒精或治療反應下操作電動工具。在操作電動工具期間精力分散會導致嚴重的人身傷害。

B) 使用安全裝置。始終佩戴護目鏡。安全裝置，諸如適當條件下的防塵面具、防滑安全鞋、安全帽、聽力防護等裝置能減少人身傷害。

C) 避免突然啟動。確保開關在插入插頭時處於關斷位置。手指放在已接通電源的開關上搬運工具或開關處於接通狀態時插入插頭可能導致危險。

D) 在電動工具接通之前，拿掉所有調節鑰匙或扳手。遺留在電動工具旋轉零件上的扳手或鑰匙會導致人身傷害。

E) 手不要伸的太長。時刻注意腳下和身體平衡。這樣在意外情況下能很好地控制電動工具。

F) 著裝適當。不要穿寬鬆衣服或佩戴飾品。讓你的頭髮、衣服和手套遠離運動部件。寬鬆衣服、佩飾或長髮可能會捲入運動部件。

G) 如果提供了與排屑裝置、集塵設備連接用的裝置，則確保他們連接完好且使用得當。使用這些裝置可減少碎屑引起的危險。

H) 請使用夾鉗或其他切實可行的方法來固定和支撐工件，將其固定到穩定的工作臺。用手抓住工件或用身體抵住工件並不穩定，可能會導致工件失控。

在鑽牆體、地板或天花板之前，檢查電線和管道的位置。剛剛鑽完時，避免接觸鑽頭，因為鑽頭可能很燙。

4. 電動工具使用和注意事項

A) 不要濫用電動工具，根據用途使用適當的電動工具。選用適當設計額值的電動工具會使你工作有效、更安全。

B) 如果開關不能接通或關斷工具電源，則不能使用該電動工具。不能用開關來控制的電動工具是危險的，必須進行修理。

C) 在進行任何調節、更換附件或存放工具之前，必須從電源上拔掉插頭。這種防護性措施將減少電動工具突然啟動的危險。

D) 將閒置的電動工具存放在兒童所及範圍之外，並且不要讓不熟悉電動工具或對這些說明不瞭解的人操作電動工具。電動工具在未經訓練的用戶手中是危險的。

E) 保養電動工具。檢查運動部件的安裝偏差或卡住、零件破損情況和影響電動工具運行的其他條件。如有損壞，電動工具必須在使用前修理好。許多事故由維護不良的電動工具引發。


F) 保持切削刀具鋒利和清潔。保養良好的有鋒利切削刃的刀具不易卡住而且容易控制。

g)按照使用說明書以及打算使用的電動工具的特殊類型要求的方式，考慮作業條件和進行的作業來使用電動工具、附件和工具的刀頭等。電動工具用作那些與要求不符的操作可能會導致危險情況。

5.維修

A)將你的電動工具送交專業維修人員，必須使用同樣的備件進行更換。這樣確保所維修的電動工具的安全性。

電器安全

 本工具採用雙重絕緣；因此不需要地線。請務必檢查電源是否與銘牌上的電壓一致。

特點

本工具包括以下多項或所有特點。

- 1.調速開關
- 2.鎖定按鈕
- 3.正轉/反轉開關
- 4.夾頭
- 5.鑽孔模式選擇

組裝

警告：組裝前應確保工具的開關處於關斷位置並且插頭未接入電源。

帶鑰匙鑽夾（圖B）

- ◆ 逆時針旋轉鑽夾套筒，打開鑽夾。
- ◆ 將轉頭柄（6）插入鑽夾。
- ◆ 把鑽夾鑰匙（7）插入鑽夾側面的每個孔（8）中並順時針擰緊。

鑽頭的拆裝（圖C）

- ◆ 將夾頭盡可能打開到最大程度。
- ◆ 使用夾頭鑰匙順時針旋轉，取下夾頭中的緊定螺絲。
- ◆ 將內六角起子放入夾頭並緊固，然後使用錘子敲擊，如圖所示。
- ◆ 取下內六角起子。
- ◆ 逆時針旋轉並取下夾頭。
- ◆ 要裝回夾頭，將其旋入芯軸並使用緊定螺絲固定。

使用

警告：請勿過載。

警告：在鑽牆體、地板或天花板之前，檢查電線和管道的位置。

選擇旋轉方向（圖D）

當鑽孔和緊固螺絲時，採用正轉（順時針）。鬆開螺絲或撤出卡住的鑽頭時，使用反轉（逆時針）。



- ◆ 要選擇正轉，把正轉/反轉開關（3）推向左邊。
- ◆ 要選擇反轉，把正轉/反轉開關推向右邊。

警告：馬達仍在轉動時，禁止改變旋轉方向。

啟動與關閉

- ◆ 要啟動工具，按下變速開關（1）。工具的轉速取決於按下開關的程度。
- ◆ 要連續運行，按下鎖定按鈕（2）並釋放變速開關。本功能僅在全速時可用。
- ◆ 要關閉工具，釋放變速按鈕即可。要在連續運行時關閉工具，將變速開關按下一次後釋放。

鑽機功能模式選擇

- ◆ 當鑽水泥材料時，鑽孔模式（5）選擇  位置（圖F）
- ◆ 當鑽其他材料時，鑽孔模式（5）選擇  位置（圖E）

配件

配件的選用決定了電動工具的性能。史丹利和Piranha 配件依據高品質標準製造，其設計可以強化電動工具的性能。使用這些配件可以發揮工具的最佳性能。

維護

您的電動工具設計精良，可以長期運作，而只需極少的維護。要取得連續的令人滿意的工作效果，需要您做合適的保養和定期的清潔。

警告：進行任何維護前，請關閉工具並斷開電源。

- ◆ 請定期用軟刷或幹抹布清潔工具通風口。
- ◆ 定期使用濕抹布清潔馬達外殼。請勿使用任何研磨型或溶劑型清潔劑。

保護環境



分類回收。此類產品不得和普通家庭垃圾一起處理。



舊產品和舊包裝的分類回收使材料能夠得以再迴圈和再利用。再迴圈材料的重新利用有助於防止環境污染和減少原料需求。

進口商: 永安實業股份有限公司
電話: 02-29994633
地址: 新北市三重區中山路286號1F

