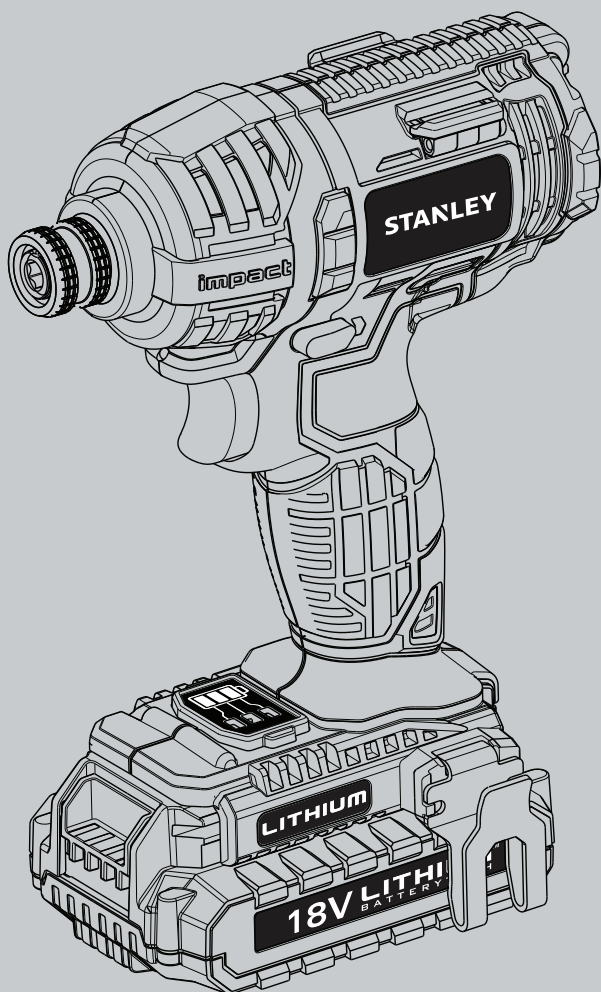


STANLEY



STDC441L

English	3
한국어	10
繁體中文	17

FIG A

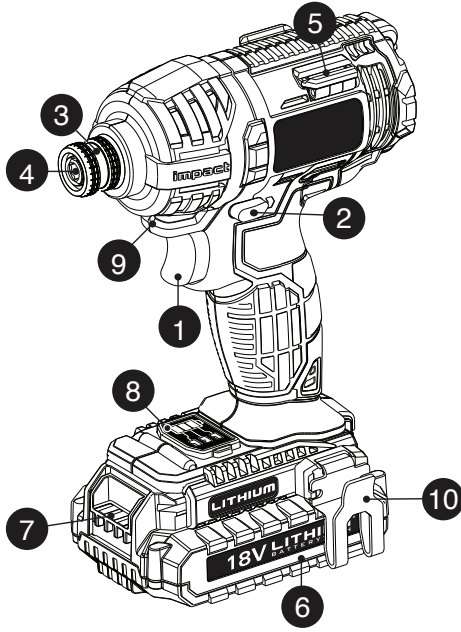


FIG B

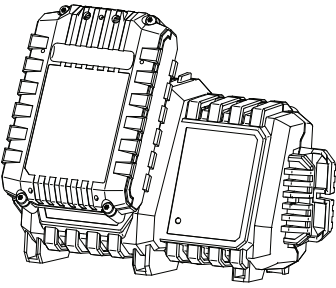


FIG C

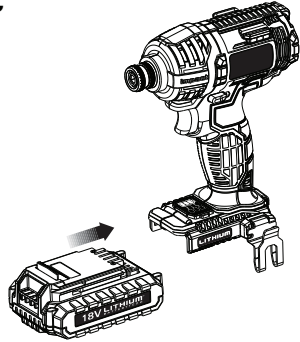


FIG D

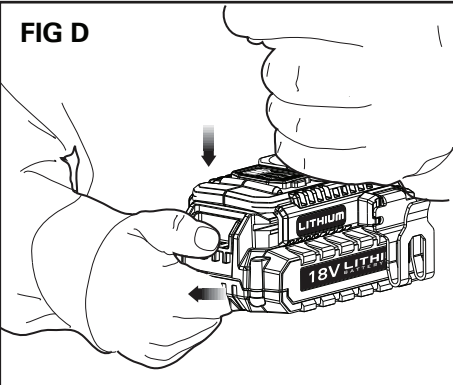


FIG E

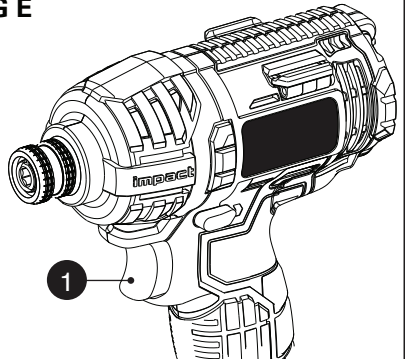


FIG F

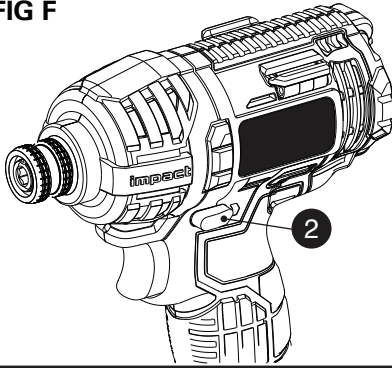


FIG G

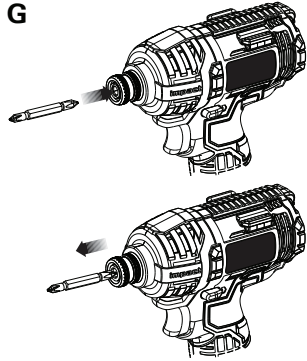


FIG H

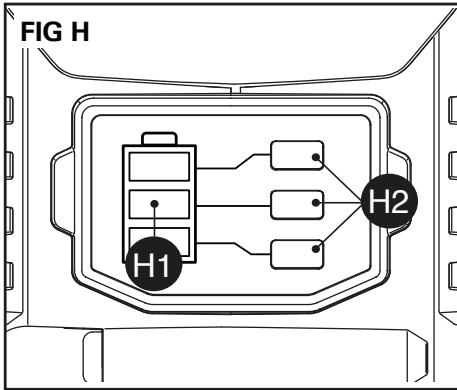
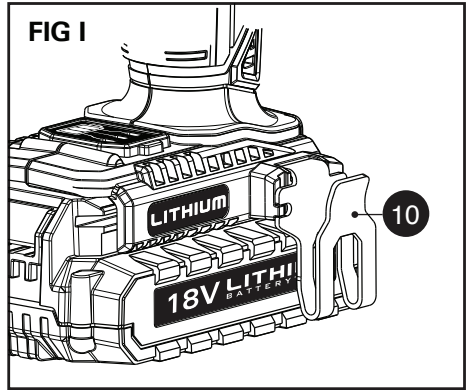


FIG I



STDC441L 18V LI-ION IMPACT DRIVER

Technical data

STDC441L		
Voltage	V _{DC}	18
No-load speed	/min	0-2900
Beats	/min	0-3100
Max. torque (PTI Rating)	Nm	164
Chuck capacity	mm	6.35
Weight	kg	1.5
Charger		
90588647		
Input Voltage	V _{AC}	220
Output Voltage	V _{DC}	20
Output Current(DC)	A	2
Approx. charge time	min	40
Battery		
90587652		
Voltage	V _{DC}	18
Capacity	Ah	1.5
Type		Li-Ion

Intended use

Your Stanley impact wrench has been designed for screwdriving and nut setting applications.

SAFETY INSTRUCTIONS

General power tool safety warnings



Warning! Read all safety warnings and all instructions. Failure to follow the warnings and instructions listed below may result in electric shock, fire and/or serious injury.

Save all warnings and instructions for future reference.

The term "power tool" in all of the warnings listed below refers to your mains operated (corded) power tool or battery operated (cordless) power tool.

1. Work area safety

- Keep work area clean and well lit.** Cluttered or dark areas invite accidents.
- Do not operate power tools in explosive atmospheres, such as in the presence of flammable liquids, gases or dust.** Power tools create sparks which may ignite the dust or fumes.
- Keep children and bystanders away while operating a power tool.** Distractions can cause you to lose control.

2. Electrical safety

- Power tool plugs must match the outlet. Never modify the plug in any way. Do not use any adapter plugs with earthed (grounded) power tools.** Unmodified plugs and matching outlets will reduce risk of electric shock.

- Avoid body contact with earthed or grounded surfaces such as pipes, radiators, ranges and refrigerators.** There is an increased risk of electric shock if your body is earthed or grounded.
- Do not expose power tools to rain or wet conditions.** Water entering a power tool will increase the risk of electric shock.
- Do not abuse the cord. Never use the cord for carrying, pulling or unplugging the power tool. Keep cord away from heat, oil, sharp edges or moving parts.** Damaged or entangled cords increase the risk of electric shock.
- When operating a power tool outdoors, use an extension cord suitable for outdoor use.** Use of a cord suitable for outdoor use reduces the risk of electric shock.
- If operating a power tool in a damp location is unavoidable, use a residual current device (RCD) protected supply.** Use of an RCD reduces the risk of electric shock.

3. Personal safety

- Stay alert, watch what you are doing and use common sense when operating a power tool. Do not use a power tool while you are tired or under the influence of drugs, alcohol or medication.** A moment of inattention while operating power tools may result in serious personal injury.
- Use personal protective equipment. Always wear eye protection.** Protective equipment such as dust mask, non-skid safety shoes, hard hat, or hearing protection used for appropriate conditions will reduce personal injuries.
- Prevent unintentional starting. Ensure the switch is in the off-position before connecting to power source and/or battery pack, picking up or carrying the tool.** Carrying power tools with your finger on the switch or energising power tools that have the switch on invites accidents.
- Remove any adjusting key or wrench before turning the power tool on.** A wrench or a key left attached to a rotating part of the power tool may result in personal injury.
- Do not overreach. Keep proper footing and balance at all times.** This enables better control of the power tool in unexpected situations.
- Dress properly. Do not wear loose clothing or jewellery. Keep your hair, clothing and gloves away from moving parts.** Loose clothes, jewellery or long hair can be caught in moving parts.
- If devices are provided for the connection of dust extraction and collection facilities, ensure these are connected and properly used.** Use of dust collection can reduce dust-related hazards.

4. Power tool use and care

- a. **Do not force the power tool. Use the correct power tool for your application.** The correct power tool will do the job better and safer at the rate for which it was designed.
- b. **Do not use the power tool if the switch does not turn it on and off.** Any power tool that cannot be controlled with the switch is dangerous and must be repaired.
- c. **Disconnect the power from the power source and/or the battery pack from the power tool before making any adjustments, changing accessories, or storing power tools.** Such preventive safety measures reduce the risk of starting the power tool accidentally.
- d. **Store idle power tools out of the reach of children and do not allow persons unfamiliar with the power tool or these instructions to operate the power tool.** Power tools are dangerous in the hands of untrained users.
- e. **Maintain power tools. Check for misalignment or binding of moving parts, breakage of parts and any other condition that may affect the power tools operation. If damaged, have the power tool repaired before use.** Many accidents are caused by poorly maintained power tools.
- f. **Keep cutting tools sharp and clean.** Properly maintained cutting tools with sharp cutting edges are less likely to bind and are easier to control.
- g. **Use the power tool, accessories and tool bits etc. in accordance with these instructions, taking into account the working conditions and the work to be performed.** Use of the power tool for operations different from those intended could result in a hazardous situation.

5. Battery tool use and care

- a. **Recharge only with the charger specified by the manufacturer.** A charger that is suitable for one type of battery pack may create a risk of fire when used with another battery pack.
- b. **Use power tools only with specifically designated battery packs.** Use of any other battery packs may create a risk of injury and fire.
- c. **When battery pack is not in use, keep it away from other metal objects, like paper clips, coins, keys, nails, screws, or other small metal objects, that can make a connection from one terminal to another.** Shorting the battery terminals together may cause burns or a fire.
- d. **Under abusive conditions, liquid may be ejected from the battery; avoid contact. If contact accidentally occurs, flush with water. If liquid contacts eyes, additionally seek medical help.** Liquid ejected from the battery may cause irritation or burns.

6. Service

- a. **Have your power tool serviced by a qualified repair person using only identical replacement parts.** This will ensure that the safety of the power tool is maintained.

ADDITIONAL POWER TOOL SAFETY WARNINGS



Warning! Additional safety warnings for impact wrenches

- ◆ **Wear ear protectors with impact drills.** Exposure to noise can cause hearing loss.
- ◆ **Use auxiliary handles supplied with the tool.** Loss of control can cause personal injury.
- ◆ **Hold power tool by insulated gripping surfaces when performing an operation where the fastener may contact hidden wiring.** Fasteners contacting a "live" wire may make exposed metal parts of the power tool "live" and could give the operator an electric shock.
- ◆ **Use clamps or another practical way to secure and support the workpiece to a stable platform.** Holding the work by hand or against your body leaves it unstable and may lead to loss of control.
- ◆ This tool is not intended for use by persons (including children) with reduced physical, sensory or mental capabilities, or lack of experience and knowledge, unless they have been given supervision or instruction concerning use of the appliance by a person responsible for their safety. Children should be supervised to ensure that they do not play with the appliance.
- ◆ The intended use is described in this instruction manual. The use of any accessory or attachment or performance of any operation with this tool other than those recommended in this instruction manual may present a risk of personal injury and/or damage to property.



Warning! impact wrenches are not torque wrenches. Do not use this tool for tightening fasteners to specified torques. An independent, calibrated torque measurement device such as a torque wrench should be used when under tightened or over tightened fasteners can lead to the failure of the joint.

SAFETY OF OTHERS

- ◆ This appliance is not intended for use by persons (including children) with reduced physical, sensory or mental capabilities, or lack of experience and knowledge, unless they have been given supervision or instruction concerning use of the appliance by a person responsible for their safety.
- ◆ Children should be supervised to ensure that they do not play with the appliance.

- ◆ Impairment of hearing.
- ◆ Health hazards caused by breathing dust developed when using your tool (example:- working with wood, especially oak, beech and MDF.)

LABELS ON TOOL

The following symbols are shown on the tool:



Warning! To reduce the risk of injury, the user must read the instruction manual.

Additional safety instructions for batteries and chargers

Batteries

- ◆ Never attempt to open for any reason.
- ◆ Do not expose the battery to water.
- ◆ Do not store in locations where the temperature may exceed 40 °C.
- ◆ Charge only at ambient temperatures between 10 °C and 40 °C.
- ◆ Charge only using the charger provided with the tool.
- ◆ When disposing of batteries, follow the instructions given in the section "Protecting the environment".



Do not attempt to charge damaged batteries.

CHARGERS

- ◆ Use your Stanley charger only to charge the battery in the tool with which it was supplied. Other batteries could burst, causing personal injury and damage.
- ◆ Never attempt to charge non-rechargeable batteries.
- ◆ Have defective cords replaced immediately.
- ◆ Do not expose the charger to water.
- ◆ Do not open the charger.
- ◆ Do not probe the charger.



The charger is intended for indoor use only.



Read the instruction manual before use.

Electrical safety



Your charger is double insulated; therefore no earth wire is required. Always check that the mains voltage corresponds to the voltage on the rating plate. Never attempt to replace the charger unit with a regular mains plug.

- ◆ If the supply cord is damaged, it must be replaced by the manufacturer or an authorised Stanley Service Centre in order to avoid a hazard.

FEATURES

This tool includes some or all of the following features (Figure A).

1. Trigger Switch
2. Forward/Reverse Button
3. Chuck Collar
4. Hex Quick-Release Chuck
5. Magnetic Bit Tip Holders (2)
6. Battery
7. Battery Release Button
8. Battery Fuel Gauge
9. LED Work Light
10. Belt Clip

IMPORTANT SAFETY INSTRUCTIONS FOR BATTERY CHARGERS

This appliance is not intended for use by persons (including children) with reduced physical, sensory or mental capabilities, or lack of experience and knowledge, unless they have been given supervision or instruction concerning use of the appliance by a person responsible for their safety. Children should be supervised to ensure that they do not play with the appliance.

SAVE THESE INSTRUCTIONS: This manual contains important safety instructions for battery chargers.

- ◆ Before using charger, read all instructions and cautionary markings on charger, battery pack, and product using battery pack.
- ⚠ **WARNING: Shock hazard.** Do not allow any liquid to get inside charger.
- ⚠ **CAUTION: Burn hazard.** To reduce the risk of injury, charge only designated **Stanley** batteries. Other types of batteries may burst causing personal injury and damage.
- ⚠ **CAUTION:** Under certain conditions, with the charger plugged in to the power supply, the charger can be shorted by foreign material. Foreign materials of a conductive nature such as, but not limited to, steel wool, aluminum foil, or any buildup of metallic particles should be kept away from charger cavities. Always unplug the charger from the power supply when there is no battery pack in the cavity. Unplug charger before attempting to clean.
- ◆ **DO NOT attempt to charge the battery pack with any chargers other than the ones in this manual.** The charger and battery pack are specifically designed to work together.
- ◆ **These chargers are not intended for any uses other than charging designated Stanley rechargeable batteries.** Any other uses may result in risk of fire, electric shock or electrocution.
- ◆ **Do not expose charger to rain or snow.**
- ◆ **Pull by plug rather than cord when disconnecting**

charger. This will reduce risk of damage to electric plug and cord.

- ◆ **Make sure that cord is located so that it will not be stepped on, tripped over, or otherwise subjected to damage or stress.**
- ◆ **Do not use an extension cord unless it is absolutely necessary.** Use of improper extension cord could result in risk of fire, electric shock, or electrocution.
- ◆ **An extension cord must have adequate wire size for safety.** The smaller the gauge number of the wire, the greater the capacity of the cable, that is 16 gauge has more capacity than 18 gauge. When using more than one extension to make up the total length, be sure each individual extension contains at least the minimum wire size.
- ◆ **Do not place any object on top of charger or place the charger on a soft surface that might block the ventilation slots and result in excessive internal heat. Place the charger in a position away from any heat source.** The charger is ventilated through slots in the top and the bottom of the housing.
- ◆ **Do not operate charger with damaged cord or plug —** have them replaced immediately.
- ◆ **Do not operate charger if it has received a sharp blow, been dropped, or otherwise damaged in any way.** Take it to an authorized service center.
- ◆ **Do not disassemble charger;** take it to an authorized service center when service or repair is required. Incorrect reassembly may result in a risk of electric shock, electrocution or fire.
- ◆ **Disconnect the charger from the outlet before attempting any cleaning.** This will reduce the risk of electric shock. Removing the battery pack will not reduce this risk.
- ◆ **NEVER attempt to connect 2 chargers together.**
- ◆ **The charger is designed to operate on standard household electrical power. Do not attempt to use it on any other voltage.**

SAVE THESE INSTRUCTIONS

Important Safety Instruction for Battery Packs

⚠ **WARNING:** For safe operation, read this manual and manuals originally supplied with tool before using the charger.

The battery pack is not fully charged out of the carton. Before using the battery pack and charger, read the safety instructions below. Then follow charging procedures outlined.

Read all Instructions

- ◆ **Do not incinerate the battery pack even if it is severely damaged or is completely worn out.** The battery pack can explode in a fire. Toxic fumes and materials are created when LI-ION battery packs are burned.

- ◆ **Do not charge or use battery in explosive atmospheres, such as in the presence of flammable liquids, gases or dust.** Inserting or removing the battery from the charger may ignite the dust or fumes.
- ◆ **If battery contents come into contact with the skin, immediately wash area with mild soap and water.** If battery liquid gets into the eye, rinse water over the open eye for 15 minutes or until irritation ceases. If medical attention is needed, the battery electrolyte for Li-ion batteries is composed of a mixture of liquid organic carbonates and lithium salts.
- ◆ **Contents of opened battery cells may cause respiratory irritation.** Provide fresh air. If symptoms persists, seek medical attention.
- ⚠ **WARNING: Burn hazard.** Battery liquid may be flammable if exposed to spark or flame.
- ◆ Charge the battery packs only in **Stanley** chargers.
- ◆ **DO NOT splash or immerse in water or other liquids.** This may cause premature cell failure.
- ◆ **Do not store or use the tool and battery pack in locations where the temperature may reach or exceed 105°F (40°C) (such as outside sheds or metal buildings in summer).**
- ⚠ **WARNING:** Never attempt to open the battery pack for any reason. If battery pack case is cracked or damaged, do not insert into charger. Do not crush, drop or damage battery pack. Do not use a battery pack or charger that has received a sharp blow, been dropped, run over or damaged in any way (i.e., pierced with a nail, hit with a hammer, stepped on). Damaged battery packs should be returned to service center for recycling.
- ⚠ **WARNING: Fire hazard. Do not store or carry battery so that metal objects can contact exposed battery terminals.** For example, do not place battery in aprons, pockets, tool boxes, product kit boxes, drawers, etc., with loose nails, screws, keys, etc. **Transporting batteries can possibly cause fires if the battery terminals inadvertently come in contact with conductive materials such as keys, coins, hand tools and the like.** NOTE: LI-ION batteries should not be put in checked baggage.


STORAGE RECOMMENDATIONS

1. The best storage place is one that is cool and dry away from direct sunlight and excess heat or cold.
2. Long storage will not harm the battery pack or charger.


CHARGING PROCEDURE

Stanley chargers are designed to charge

Stanley battery packs in 40-60 minutes depending on the pack being charged.

1. Plug the charger into an appropriate outlet before inserting the battery pack.
2. Insert the battery pack into the charger. (Fig. B)
3.  The LED will flash indicating that the battery is


being charged.

4.  The completion of charge is indicated by the LED remaining on continuously. The pack is fully charged and may be used at this time or left on the charger.


CHARGER DIAGNOSTICS

This charger is designed to detect certain problems that can arise with the battery packs or the power source. Problems are indicated by one LED flashing in different patterns.

BAD BATTERY

-  The charger can detect a weak or damaged battery. The LED flashes in the pattern indicated on the label. If you see this bad battery blink pattern, do not continue to charge the battery. Return it to a service center or a collection site for recycling.

HOT/COLD PACK DELAY

-  When the charger detects a battery that is excessively hot or excessively cold, it automatically starts a Hot/Cold Pack Delay, suspending charging until the battery has normalized. After this happens, the charger automatically switches to the Pack Charging mode. This feature ensures maximum battery life. The light flashes in the pattern indicated on the label.

LEAVING THE BATTERY IN THE CHARGER

The charger and battery pack can be left connected with the LED glowing indefinitely. The charger will keep the battery pack fresh and fully charged. This charger features an automatic tune-up mode which equals or balances the individual cells in the battery pack to allow it to function at peak capacity. Battery packs should be tuned up weekly or whenever the battery no longer delivers the same amount of work. To use the automatic tune-up mode, place the battery pack in the charger and leave it for at least 8 hours.

IMPORTANT CHARGING NOTES

1. Longest life and best performance can be obtained if the battery pack is charged when the air temperature is between 65°F and 75°F (18° - 24°C). DO NOT charge the battery pack in an air temperature below +40°F (+4.5°C), or above +105°F (+40.5°C). This is important and will prevent serious damage to the battery pack.
2. The charger and battery pack may become warm to touch while charging. This is a normal condition, and does not indicate a problem. To facilitate the cooling of the battery pack after use, avoid placing the charger or battery pack in a warm environment such as in a metal shed, or an uninsulated trailer.
3. If the battery pack does not charge properly:
 - a. Check current at receptacle by plugging in a lamp or other appliance
 - b. Check to see if receptacle is connected to a light switch which turns power off when you turn out the lights.
 - c. Move charger and battery pack to a location where the surrounding air temperature is approximately 65°F - 75°F

(18° - 24°C).

- d. If charging problems persist, take the tool, battery pack and charger to your local service center.
4. The battery pack should be recharged when it fails to produce sufficient power on jobs which were easily done previously. DO NOT CONTINUE to use under these conditions. Follow the charging procedure. You may also charge a partially used pack whenever you desire with no adverse affect on the battery pack.
5. Foreign materials of a conductive nature such as, but not limited to, steel wool, aluminum foil, or any buildup of metallic particles should be kept away from charger cavities. Always unplug the charger from the power supply when there is no battery pack in the cavity. Unplug charger before attempting to clean.
6. Do not freeze or immerse charger in water or any other liquid.
 - ⚠ **WARNING: Shock hazard.** Do not allow any liquid to get inside charger. Never attempt to open the battery pack for any reason. If the plastic housing of the battery pack breaks or cracks, return to a service center for recycling.

OPERATING INSTRUCTIONS

Installing and Removing the Battery Pack From the Tool

CAUTION: Make certain the lock-off button is engaged to prevent switch actuation before removing or installing battery.

1. To install battery pack: Insert battery pack (6) into tool as shown in **Figure C**.
2. To remove battery pack: Depress the battery release button (7) as shown in **Figure D** and pull battery pack out of tool.
3. **Variable Speed Trigger Switch (Figure E)**
To turn the tool on, squeeze the trigger switch (1). To turn the tool off, release the trigger switch. Your tool is equipped with a brake. The chuck will stop as soon as the trigger switch is fully released. The variable speed switch enables you to select the best speed for a particular application. The more you squeeze the trigger, the faster the tool will operate. Use lower speeds for starting holes without a center punch, drilling in metals or plastics, or driving screws. For maximum tool life, use variable speed only for starting holes or fasteners.
 - NOTE:** Continuous use in variable speed range is not recommended. It may damage the switch and should be avoided.
4. **Forward/Reverse Control Button (Figure F)**
A forward/reverse control button (2) determines the direction of the tool and also serves as a lock off button. To select forward rotation, release the trigger switch and depress the forward/reverse control button on the right side of the tool. To select reverse, depress the forward/reverse control button on the left side of the tool. The center position of the control button locks the tool in the OFF position. When changing the position of the

control button, be sure the trigger is released.

NOTE: The first time the tool is run after changing the direction of rotation, you may hear a click on start up. This and the impacting noise that the tool makes is normal and does not indicate a problem.

5. **Quick Release Chuck (Figure G)**

NOTE: The chuck accepts 1/4 inch (6.35 mm) hex accessories only.

Place the switch in the locked off (center) position or remove battery pack before changing accessories.

To install an accessory, insert the accessory into the quick release chuck (4) until an audible click is heard to ensure the accessory is locked in place.

To remove an accessory, pull the chuck collar (3) away from the front of the tool, remove the accessory and release the collar.

NOTE: The quick release chuck is spring-loaded. The accessory will be ejected when the chuck collar is pulled forward.

LED WORK LIGHT

When impact driver is activated by pulling the trigger switch (1), the integrated LED work light (9) will automatically illuminate the work area. **NOTE:** The work light is for lighting the immediate work surface and is not intended to be used as a flashlight.

BIT TIP STORAGE

Two magnetic bit storage slots (5) are built into the area on the top of the tool.

Battery Fuel Gauge - Figure H

The tool is equipped with a battery fuel gauge (8). This can be used to display the current level of charge in the battery during use and during charging. It does not indicate tool functionality and is subject to variation based on product components, temperature and end-user application.

Checking battery charge during use:

- ◆ Press the battery fuel gauge button (H1).
- ◆ The three LEDs (H2) will illuminate indicating the percent of charge in the battery (Figure H).
- ◆ If LED light does not illuminate, charge battery.

NOTE: This battery is designed to not operate when a charge below 20% of its capacity is reached. After the battery charge is depleted, the tool will not operate until after the battery has been recharged.

BELT CLIP - FIGURE I

A belt clip (10) is provided which can be switched to either side of the tool based on user preference for convenient access and storage during use.

⚠ **Caution:** Ensure the forward/reverse control button (2) is in the center lock position before attaching tool to belt.

MAINTENANCE

Your Stanley tool has been designed to operate over a long period of time with a minimum of maintenance. Continuous satisfactory operation depends upon proper tool care and regular cleaning.

Your charger does not require any maintenance apart from regular cleaning.

Warning! Before performing any maintenance on the tool, remove the battery from the tool. Unplug the charger before cleaning it.

- ◆ Regularly clean the ventilation slots in your tool and charger using a soft brush or dry cloth.
- ◆ Regularly clean the motor housing using a damp cloth. Do not use any abrasive or solvent-based cleaner.
- ◆ Regularly open the chuck and tap it to remove any dust from the interior.

PROTECTING THE ENVIRONMENTS



Separate collection. This product must not be disposed of with normal household waste.

Should you find one day that your Stanley product needs replacement, or if it is of no further use to you, do not dispose of it with household waste. Make this product available for separate collection.



Separate collection of used products and packaging allows materials to be recycled and used again. Re-use of recycled materials helps prevent environmental pollution and reduces the demand for raw materials.

BATTERIES



Run the battery down completely, then remove it from the tool.

NiCd, NiMH and Li-Ion batteries are recyclable. Take them to any authorised repair agent or a local recycling station.

SERVICE INFORMATION

Stanley offers a full network of company-owned and authorized service locations throughout Asia. All Stanley Service Centers are staffed with trained personnel to provide customers with efficient and reliable power tool service. Whether you need technical advice, repair, or genuine factory replacement parts, contact the Stanley location nearest to you.

NOTES

- ◆ Stanley's policy is one of continuous improvement to our products and, as such, we reserve the right to change product specifications without prior notice.
- ◆ Standard equipment and accessories may vary by country.
- ◆ Product specifications may differ by country.

- ◆ Complete product range may not be available in all countries. Contact your local Stanley dealers for range availability.

STDC441L 18V 리튬이온 임팩트 드라이버 기술 데이터

STDC441L		
전압	V _{DC}	18
무부하회전수	/min	0-2900
비트	/min	0-3100
최대 토크 (PTI 등급)	Nm	164
척 크기	mm	6.35
무게	kg	1.5
출전기	90588647	
입력 전압	V _{AC}	220
출력 전압	V _{DC}	20
출력 전류(DC)	A	2
대략적 충전 시간	분	40
배터리	90587652	
전압	V _{DC}	18
용량	Ah	1.5
유형	리튬 이온	

용도

스텝리 임팩트 렌치는 나사를 조이거나 너트 고정용으로 설계되었습니다.

안전 지침

전동 공구에 관한 일반 안전 경고



경고! 모든 안전 경고와 모든 지시사항을 읽으십시오. 아래 나열된 경고와 지시사항을 준수하지 않으면 감전, 화재 및/또는 심각한 부상을 초래할 수 있습니다.

항후 참고할 수 있도록 모든 경고 및 지시사항을 보관해두십시오. 아래의 모든 경고에서 사용된 "전동 공구"라는 말은 주 공급 전원에 의해 전기가 공급되는 (유선) 전동 공구 또는 충전식(무선) 전동 공구를 의미합니다.

1. 작업 안전 영역

- 작업 영역을 청결하고 밝게 유지하십시오. 혼잡하거나 어두운 작업장에서는 사고가 발생하기 쉽습니다.
- 가연성 액체, 가스 또는 먼지 등 폭발 가능성이 있는 환경에서 전동 공구를 사용하지 마십시오. 전동 공구에서 먼지나 가스를 발화시킬 수 있는 불꽃이 될 수 있습니다.
- 전공 공구를 사용하는 동안에는 어린이와 주변 사람들이 작업 영역에 가까이 들어오지 못하도록 하십시오. 주변이 산만해져 통제력을 잃을 수 있습니다.

2. 전기 안전

- 전동 공구의 플러그는 콘센트와 형식이 일치해야 합니다. 플러그를 어떤 방식으로든 절대 개조하지 마십시오. 접지된(지면 접지) 전동 공구에 어떤 어댑터 플러그도 사용하지 마십시오. 개조되지 않은 플러그 및 형식이 일치하는 콘센트를 사용하면 감전 위험이 줄어듭니다.

- 파이프, 라디에이터, 렌지 및 냉장고 등과 같이 접지된 표면이 몸이 닿지 않도록 하십시오. 신체가 접지되어 있으면 감전 위험이 높아집니다.
- 전동 공구를 비 또는 습한 환경에 노출하지 않도록 주의하십시오. 전동 공구에 물이 들어가면 감전 위험이 높아집니다.
- 코드를 함부로 다루지 마십시오. 코드를 사용하여 전동 공구를 운반하거나 잡아당기거나 플러그를 뽑지 마십시오. 열, 오일, 날카로운 모서리 또는 움직이는 부품에서 멀리 떨어진 장소에 코드를 보관하십시오. 코드가 손상되거나 얽혀 있으면 감전 위험이 높아집니다.
- 전동 공구를 실외에서 사용할 때는 실외 사용에 적합한 연장 코드를 사용하십시오. 실외 사용에 적합한 코드를 사용하면 감전 위험이 줄어듭니다.
- 어쩔 수 없이 습한 장소에서 전동 공구를 사용해야 하는 경우에는 누전 차단기(RCD)로 보호된 전원 공급 장치를 사용하십시오. RCD(차단기)를 사용하면 감전 위험이 줄어듭니다.

3. 신체 안전 사항

- 전동 공구로 작업할 때는 방심하지 말고 작업에 주의하면서 상식에 따르십시오. 피곤한 상태이거나 약물, 술, 치료제를 복용한 상태에서는 전동 공구를 사용하지 마십시오. 전동 공구를 사용하다 잠깐만 한 눈을 팔아도 심각한 부상을 당할 수 있습니다.
- 신체 보호 장구를 착용하십시오. 항상 보안경을 착용하십시오. 적합한 상황에서 방진 마스크, 미끄럼 방지 안전화, 안전모 또는 청력 보호 기구 등의 보호 장비를 사용하면 신체 부상 위험이 줄어듭니다.
- 의도하지 않은 장비 가동 방지. 전원 및/또는 배터리 팩에 연결한 상태로 공구를 선택 또는 운반할 때는 사전에 스위치가 꺼짐 위치에 있는지 반드시 확인하십시오. 스위치가 꺼짐 위치에 있는 상태에서 스위치에 손가락이 닿은 상태로 전동 공구를 운반하거나 전동 공구에 전원을 공급하면 사고가 발생할 수 있습니다.
- 전동공구를 켜기 전에 모든 조정 키 또는 렌치를 제거하십시오. 전동 공구의 회전 부품에 렌치나 키가 장착되어 있으면 부상을 당할 수 있습니다.
- 무리하게 팔을 뻗지 마십시오. 항상 올바른 자세로 서서 균형을 유지하십시오. 그러면 예기치 않은 상황에서 전동 공구에 대한 제어력이 향상됩니다.
- 적절한 의복을 착용합니다. 헐렁한 옷이나 장신구를 착용하지 마십시오. 머리카락, 옷 및 장갑이 움직이는 부품에 닿지 않도록 유의하십시오. 헐렁한 옷, 장신구 또는 긴 머리가 움직이는 부품에 걸 수 있습니다.
- 먼지 배출 및 집진 시설 연결을 위한 장치가 제공된 경우, 이들 장치가 연결되어 적절히 사용되고 있는지 반드시 확인하십시오. 집진 장치를 사용하면 먼지와 관련된 위험을 줄일 수 있습니다.

4. 전동 공구 사용 및 관리

- a. 전동 공구에 무리한 힘을 가하지 마십시오. 해당 용도에 맞는 올바른 전동 공구를 사용하십시오. 올바른 전동 공구를 사용해 설계된 속도로 작업을 더욱 안전하고 정확하게 수행할 수 있습니다.
- b. 스위치로 켜지고 꺼지지 않는 전동 공구는 사용하지 마십시오. 스위치로 제어되지 않는 전동 공구는 위험하므로 수리해야 합니다.
- c. 전동 공구를 조정하거나 액세서리를 변경하거나 보관하기 전에 전원 및/또는 배터리 팩에서 플러그를 빼십시오. 이러한 예방적 안전 조치를 따라야 전동 공구가 갑자기 작동할 위험이 줄어듭니다.
- d. 사용하지 않는 전동 공구는 어린이의 손이 닿지 않는 곳에 보관하고, 전동 공구나 본 지시 사항에 익숙하지 않은 사람이 전동 공구를 절대 사용하지 못하게 하십시오. 전동 공구는 훈련을 받지 않은 사용자가 다루면 위험합니다.
- e. 전동 공구 유지 보수. 움직이는 부품의 잘못된 정렬이나 바인딩, 부품 파손 및 기타 전동 공구의 작동에 영향을 미칠 수 있는 상태가 있는지 확인하십시오. 손상된 부분이 있는 경우 사용하기 전에 전동 공구를 수리하십시오. 많은 사고는 전동 공구를 제대로 유지 보수하지 않아 발생합니다.
- f. 절삭 공구를 예리하고 깨끗한 상태로 유지하십시오. 절삭 가장자리를 예리하게 잘 유지하면 절삭기를 사용할 때 바인딩이 적고 다루기가 용이합니다.
- g. 작업 환경과 수행할 작업을 고려하여, 본 지시 사항에 따라 전동 공구, 액세서리 및 볼트 등을 사용하십시오. 본 사용 설명서의 내용과 다른 용도로 전동 공구를 사용하면 위험한 상황이 발생할 수 있습니다.

5. 배터리 공구 사용 및 관리

- a. 다시 충전할 때는 제조업체에서 지정한 충전기만 사용하십시오. 한 배터리 팩 유형에 적합한 충전기를 다른 배터리 팩과 함께 사용할 경우 화재의 위험이 있습니다.
- b. 전동 공구를 사용할 때는 특수 설계된 배터리 팩을 함께 사용하십시오. 다른 배터리 팩을 사용하면 부상을 입거나 화재의 위험이 있습니다.
- c. 배터리 팩을 사용하지 않을 때에는 클립, 동전, 키, 못, 나사 등의 금속 물체나, 단자 간에 연결할 수 있는 작은 금속 물체가 닿지 않도록 멀리 두십시오. 배터리 단자가 단락되면 화상을 입거나 화재의 위험이 있습니다.
- d. 배터리를 과다 사용하면 액체가 배터리에서 흘러 나올 수 있으므로 접촉을 피하십시오. 실수로 접촉한 경우에는 물로 씻으십시오. 액체가 눈에 들어간 경우 치료를 받으십시오. 배터리에서 나온 액체는 통증을 유발하거나 화상을 입힐 수 있습니다

6. 수리

- a. 자격을 갖춘 기술자가 동일 교체 부품을 사용하여 정비 작업을 수행해야 합니다. 그래야 전동 공구의 안전이 보장됩니다.

전동 공구에 관한 추가 안전 경고



경고! 임팩트 렌치에 대한 추가 안전 경고

- ◆ 임팩트 드릴 사용 시 귀 보호 장비를 착용하십시오. 소음에 노출되면 청력이 손상될 수 있습니다.
- ◆ 공구와 함께 제공되는 사이드 핸들을 사용하십시오. 제어력을 잃으면 신체 부상을 당할 수 있습니다.
- ◆ 잠금 장치나 숨겨진 배선에 접촉할 수 있는 작업을 수행할 때는 절연된 그리핑 표면이 닿도록 하여 전동 공구를 잡으십시오. "전류가 흐르는" 전선에 접촉된 패스너는 전동 공구의 노출된 금속 부품을 "전류가 흐르는" 상태로 만들어 작업자를 감전시킬 수 있습니다.
- ◆ 클램프 또는 다른 적절한 방식을 이용하여 안정된 작업대에 작업 공구들을 고정 및 지지하십시오. 작업물을 손으로 잡거나 몸으로 지탱하는 행동은 불안정하여 제어력을 잃을 수 있습니다.
- ◆ 이 공구는 신체, 지각 또는 정신 능력이 낮거나 경험 및 지식이 부족한 사람(어린이 포함)이 사용하도록 설계되지 않았습니다. 이러한 사람이 사용할 때는 안전 책임자의 감독 또는 제품 사용과 관련된 지시 사항이 필요합니다. 어린이가 본 제품을 가지고 놀지 못하도록 항상 주시해야 합니다.
- ◆ 본 사용 설명서에 제품의 용도가 설명되어 있습니다. 본 사용 설명서에서 권장하는 방식 이외의 다른 방식으로 본 공구를 조작하거나 액세서리 또는 부착물을 사용하는 경우 신체 부상의 위험이 있거나 재산상의 손해가 발생할 수 있습니다.



경고! 임팩트 렌치는 토크 렌치가 아닙니다. 이 공구를 패스너를 지정된 토크로 조이는 데 사용하지 마십시오. 패스너를 덜 조이거나 과하게 조이면 결함 실패로 이어질 수 있는 경우 토크 렌치와 같은 독립적이고 조정된 토크 측정 장치를 사용해야 합니다.

다른 사람들의 안전

- ◆ 이 제품은 신체, 지각 또는 정신 능력이 낮거나 경험 및 지식이 부족한 사람(어린이 포함)이 사용하도록 설계되지 않았습니다. 이러한 사람이 사용할 때는 안전 책임자의 감독 또는 제품 사용과 관련된 지시 사항이 필요합니다.
- ◆ 어린이가 본 제품을 가지고 놀지 못하도록 항상 주시해야 합니다.

- ◆ 청력 손상
- ◆ 공구 사용 중에 발생하는 먼지를 호흡하여 유발되는 건강 위해성(예: 목재, 특히 오크, 너도밤나무 및 MDF가공 작업).

공구 라벨

공구에는 다음과 같은 기호가 표시되어 있습니다.



경고! 부상 위험을 줄이려면 사용자는 사용 설명서를 주의 깊게 읽어야 합니다.

배터리와 충전기 관련 추가 안전 지시 사항

배터리

- ◆ 어떤 이유든 배터리 팩을 절대 열려고 하지 마십시오.
- ◆ 배터리에 물이 닿지 않도록 하십시오.
- ◆ 온도가 40 °C를 초과할 수 있는 곳에 보관하지 마십시오.
- ◆ 주변 온도가 10 °C - 40 °C 사이에 있을 때에만 충전하십시오.
- ◆ 충전할 때는 이 공구와 함께 제공된 충전기만 사용해야 합니다.
- ◆ 배터리를 폐기할 때는 “환경 보호” 섹션에 나와 있는 지시 사항을 따르십시오.



손상된 배터리를 충전하지 마십시오.

충전기

- ◆ 공구와 함께 제공된 배터리를 충전할 때는 스탠리 충전기만 사용하십시오. 다른 배터리를 사용하면 배터리가 폭발하여 신체 부상을 당하거나 손해를 입을 수 있습니다.
- ◆ 절대로 비충전식 배터리를 충전하려고 하지 마십시오.
- ◆ 손상된 코드는 즉시 교체하십시오.
- ◆ 충전기에 물이 닿지 않도록 하십시오.
- ◆ 충전기를 해체하거나 열지 마십시오.
- ◆ 충전기를 시험하지 마십시오.



충전기는 실내용으로만 사용합니다.



사용하기 전에 사용 설명서의 내용을 숙지하십시오.

전기 안전



본 충전기는 이중으로 절연되어 있으므로 접지가 필요 없습니다. 전원 전압이 명판에 기재된 전압과 일치하는지 항상 확인하십시오. 충전기를 절대로 일반 전원 플러그로 교체하지 마십시오.

- ◆ 전원 코드가 손상된 경우 사고가 발생하지 않도록 제조업체 또는 공인 스탠리 서비스 센터에서 교체해야 합니다.

기능

본 공구에는 다음 기능들 중 일부 또는 모두가 포함되어 있습니다(그림 A).

1. 트리거 스위치
2. 전진/후진 버튼
3. 척 칼라
4. 육각 신속 이탈 척
5. 마그네틱 비트 팁 홀더(2개)
6. 배터리
7. 배터리 탈착 버튼
8. 배터리 연료계
9. LED 작업등
10. 벨트 클립

배터리 충전기에 대한 중요한 안전 지침

이 제품은 신체, 지각 또는 정신 능력이 낮거나 경험 및 지식이 부족한 사람(어린이 포함)이 사용하도록 설계되지 않았습니다. 이러한 사람이 사용할 때는 안전 책임자의 감독 또는 제품 사용과 관련된 지시 사항이 필요합니다. 어린이가 본 제품을 가지고 놀지 못하도록 항상 주시해야 합니다.

본 지침을 잘 보관해 두십시오. 본 사용 설명서에는 배터리 충전기에 대한 중요한 안전 지침이 포함되어 있습니다.

- ◆ 충전기를 사용하기 전에 충전기, 배터리 팩, 그리고 배터리 팩 관련 제품에 대한 지침과 주의 표시를 숙지하십시오.
- △ **경고: 감전 위험.** 충전기 내부에 액체가 들어가지 않도록 하십시오.
- △ **주의: 화상 위험.** 신체 부상의 위험을 줄이려면 스탠리 배터리로만 충전하십시오. 다른 유형의 배터리는 폭발로 인한 신체 부상과 손상을 초래할 수 있습니다.
- △ **주의:** 특정 조건에서, 충전기가 전원 공급기에 연결되어 있으면 충전기가 이물질에 의해 단락될 수 있습니다. 스틸 울(steel wool), 알루미늄 호일, 금속 입자 축적물 등의 전도성 이물질은 충전기 캐비티에 닿지 않게 두어야 합니다. 캐비티 안에 배터리 팩이 없을 경우 항상 배터리 전원 공급기에서 충전기의 플러그를 뽑으십시오. 충전기를 청소할 때는 플러그를 뽑아야 합니다.
- ◆ **본 사용 설명서에 명시된 충전기 외의 다른 충전기로 배터리 팩을 충전하지 마십시오.** 본 충전기와 배터리 팩은 함께 사용하도록 특수 설계되었습니다.
- ◆ **이러한 충전기는 지정된 스탠리 충전용 배터리 충전 이외의 용도로는 사용할 수 없습니다.** 다른 용도로 사용하면 화재, 감전 또는 감전사의 위험이 있습니다.
- ◆ **충전기가 비나 눈을 맞지 않도록 하십시오.**

- ◆ 충전기를 분리할 경우 코드가 아니라 플러그를 뽑으십시오. 그래야만 전기 플러그 및 코드 손상의 위험이 줄어듭니다.
- ◆ 코드가 밟히거나 걸리거나 기타 원인에 의해 손상되거나 압박을 받지 않도록 유의하십시오.
- ◆ 불가피한 경우가 아니면 연장 코드를 사용하지 마십시오. 연장 코드를 잘못 사용하면 화재, 감전 또는 감전사의 위험이 있습니다.
- ◆ 연장 코드는 크기가 적절해야 안전합니다. 와이어의 게이지 수치가 작을수록 케이블 용량은 더욱 커집니다. 즉, 16게이지는 18 게이지보다 용량이 더 큼니다. 길이가 짧아서 연장 코드를 두 개 이상 사용하는 경우, 각각의 연장 코드는 최소 와이어 크기 이상이어야 합니다.
- ◆ 충전기 위에 물건을 올려놓거나 부드러운 표면에 충전기를 두면 환기 슬롯이 막혀 내부가 과열될 수 있습니다. 충전기는 열원에 가까이 두지 마십시오. 충전기는 하우징의 상단과 하단에 있는 슬롯을 통해 환기됩니다.
- ◆ 코드나 플러그가 손상된 충전기를 작동시키지 마십시오. — 즉시 교체하십시오.
- ◆ 심한 충격을 받았거나 떨어뜨렸거나 기타의 방식으로 손상된 경우에는 충전기를 작동시키지 마십시오. 공인 서비스 센터로 가져가십시오.
- ◆ 충전기를 분해하지 마십시오. 서비스나 수리가 필요한 경우에는 공인 서비스 센터로 가져가십시오. 잘못 재조립하면 화재, 감전 또는 감전사의 위험이 있습니다.
- ◆ 청소하려면 먼저 충전기를 콘센트에서 분리하십시오. 그래야 감전 위험이 줄어듭니다. 배터리 팩을 제거하는 것만으로 이러한 위험이 줄어들지는 않습니다.
- ◆ 절대로 충전기 두 개를 함께 연결하지 마십시오.
- ◆ 충전기는 가정용 표준 전력에서 작동하도록 설계되어 있습니다. 다른 전압에서는 사용하지 마십시오.

본 지침을 잘 보관해 두십시오.

배터리 팩에 대한 중요한 안전 지침

- △ 경고: 안전한 작동을 위해, 충전기를 사용하기 전에 공구와 함께 제공된 본 설명서와 기타 설명서들을 숙지하십시오.
- 배터리 팩은 카톤에서 꺼낼 때 완전히 충전된 상태가 아닙니다.
- 배터리 팩과 충전기를 사용하기 전에 아래 안전 지침을 숙독하십시오. 그런 다음 설명된 충전 절차를 따르십시오.

모든 지시 사항을 읽으십시오.

- ◆ 배터리 팩이 심하게 손상되거나 완전히 낡았더라도 절대 소각하지 마십시오. 배터리 팩이 불 속에서 폭발할 수 있습니다. 리튬이온 배터리 팩은 연소되면서 독성 연기와 물질을 발생시킵니다.

- ◆ 가연성 액체, 가스 또는 먼지 등 폭발성 분위기에 배터리를 충전하거나 사용하지 마십시오. 배터리를 삽입하거나 충전기에서 제거할 때 먼지나 가스에 불이 붙을 수 있습니다.
- ◆ 배터리 내용물이 파부에 닿으면 즉시 중성 세척제로 해당 부위를 씻으십시오. 배터리 액체가 눈에 들어갔을 경우, 15분 정도 또는 통증이 가실 때까지 눈을 뜨고 물로 씻어냅니다. 치료가 필요한 경우를 위해, 리튬이온 배터리의 배터리 전해질은 액체 유기 탄산염과 리튬염의 혼합물로 구성되어 있음을 알아 두십시오.
- ◆ 열된 배터리 셀의 내용물은 호흡기 질환을 일으킬 수 있습니다. 신선한 공기를 흡입하십시오. 증상이 계속되면 치료를 받으십시오.
- △ 경고: 화상 위험. 배터리액은 불꽃이나 화염에 노출되면 연소될 수 있습니다.
- ◆ 스탠리 충전기에서만 배터리 팩을 충전하십시오.
- ◆ 물이나 기타 액체가 튀어 물거나 액체에 빠지지 않도록 하십시오. 이렇게 하면 배터리 셀이 조기에 고장날 수 있습니다.
- ◆ 온도가 40°C (105°F) 초과될 수 있는 곳(여름철 허름한 창고 또는 금속 건물 등)에 공구와 배터리 팩을 보관하거나 사용하지 마십시오.).
- △ 경고: 어떤 이유든 배터리 팩을 절대 열리지 마십시오. 배터리 팩 케이스가 깨지거나 손상되면 충전기에 넣지 마십시오. 배터리 팩을 뭉개거나 떨어뜨리거나 손상시키지 마십시오. 강한 충격을 받았거나, 떨어뜨렸거나, 차에 치였거나 기타의 원인으로 어떤 방식으로든 손상된(못이 박히거나 망치로 맞았거나 밟힘) 배터리 팩이나 충전기는 사용하지 마십시오. 손상된 배터리 팩은 △재활용을 위해 서비스 센터에 반환해야 합니다.
- 경고: 화재 위험. 배터리를 보관하거나 휴대할 때는 노출된 배터리 단자에 금속 물체가 닿지 않도록 하십시오. 예를 들어, 못, 나사, 키 등이 있는 앞치마, 주머니, 도구상자, 제품 키트 상자, 셔랍 등에 배터리를 두지 마십시오. 배터리 운반 중에 배터리 단자가 우연히 전도성 물체(예: 키, 동전, 수공구 등)에 닿게 될 경우 화재가 발생할 수 있습니다. 참고: 리튬이온 배터리는 검사된 수화물에 넣어야 합니다.



보관 권장 사항

1. 보관 장소로는 직사광선을 받지 않고 지나치게 덥거나 춥지 않은 시원하고 건조한 곳이 가장 좋습니다.
2. 장기간 보관해도 배터리 팩이나 충전기가 훼손되지 않습니다.

충전 절차

스탠리 충전기는 충전되는 팩에 따라 스탠리 배터리 팩을 40~60분 내에 충전하도록 설계되었습니다.


1. 배터리 팩을 넣기 전에 충전기를 적절한 콘센트에 꽂습니다.

2. 배터리 팩을 충전기에 넣습니다. (그림 B)
3.  배터리가 충전 중임을 나타내는 LED가 깜박거립니다.
4.  충전이 완료되면 LED가 계속 켜져 있습니다. 팩이 완전히 충전되면 바로 사용하거나 충전기에 그대로 둡니다.


충전기 진단

본 충전기는 배터리 팩이나 전원에서 발생할 수 있는 특정 문제를 감지하도록 설계되었습니다. 문제가 발생하면 하나의 LED가 다른 패턴으로 깜박입니다.

불량 배터리

 충전기는 성능이 약하거나 손상된 배터리를 감지합니다. LED는 라벨에 표시된 패턴으로 깜박입니다. 불량 배터리를 나타내는 깜박임 패턴이 표시되면, 배터리 충전을 중단하십시오. 불량 배터리는 재활용을 위해 서비스 센터나 전용 분리 수거소에 반환해 주십시오.

냉/온 팩 지연

 충전기에서 너무 뜨겁거나 차가운 배터리가 감지되면, 냉/온 팩 지연이 자동으로 시작되어 배터리가 정상 온도가 될 때까지 충전이 중단됩니다. 이 과정이 끝나면, 충전기가 자동으로 팩 충전 모드로 전환됩니다. 이 기능은 배터리 수명을 최대한으로 보장하기 위한 것입니다. 표시등은 라벨에 표시된 패턴으로 깜박입니다.

배터리를 충전기에 두기

충전기와 배터리 팩이 연결된 상태로 둘 수 있는데, 이 경우 LED는 계속 켜진 상태로 유지됩니다. 충전기는 배터리 팩을 완전 충전 상태로 유지합니다. 이 충전기는 배터리 팩의 개별 셀이 최대 용량으로 작동할 수 있게 똑같이 균형을 맞춰주는 자동 튜업 모드를 지원합니다. 배터리 팩은 매주 또는 배터리가 이전 수준의 작업을 더 이상 수행하지 못할 때마다 튜업을 해줘야 합니다. 자동 튜업 모드를 사용하려면 배터리 팩을 충전기에 넣고 최소한 8시간 그대로 두십시오.

중요한 충전 참고사항

1. 65°F ~ 75°F(18° ~ 24°C)의 기온에서 배터리 팩을 충전할 경우 최장 수명과 최고의 성능을 얻을 수 있습니다. +40°F(+4.5°C) 이하 또는 +105°F(+40.5°C) 이상의 기온에서는 배터리 팩을 충전하지 마십시오. 이는 매우 중요한 점으로서 배터리 팩의 심각한 손상을 예방하기 위한 것입니다.
2. 충전기와 배터리 팩은 충전중에 따뜻해집니다. 이는 정상적 현상이며 고장이 아닙니다. 사용 후 배터리 팩을 손쉽게 식히려면 충전기나 배터리 팩을 금속 창고 또는 비절연 트레일러와 같은 고온의 환경에 두지 마십시오.

3. 배터리 팩이 제대로 충전되지 않을 경우 다음과 같이 조치를 취합니다.
 - a. 램프나 기타 기기의 플러그를 콘센트에 꽂아서 전류가 흐르는지 확인합니다.
 - b. 전등의 스위치를 꺼서 해당 전등이 꺼지는지 확인해 봄으로써 그 스위치가 콘센트에 연결되어 있는지 판단합니다.
 - c. 충전기와 배터리 팩을 주변 기온이 약 65°F ~ 75°F (18° ~ 24°C)인 위치로 이동시킵니다.
 - d. 충전 문제가 해결되지 않으면 공구, 배터리 팩 및 충전기를 해당 지역의 서비스 센터로 가져가십시오.
4. 이전에 쉽게 수행했던 작업에 대해 충분한 힘을 발휘하지 못하는 배터리 팩은 재충전해야 합니다. 그러한 상황에서는 사용을 중단하십시오. 충전 절차를 따라하십시오. 부분적으로 사용한 팩도 원할 때마다 충전할 수 있으며 이 경우 배터리 팩에는 유해한 영향이 전혀 없습니다.
5. 스틸 울(steel wool), 알루미늄 호일, 금속 입자 축적물 등의 전도성 이물질은 충전기 캐비티에 닿지 않게 두어야 합니다. 캐비티 안에 배터리 팩이 없을 경우 항상 배터리 전원 공급기에서 충전기의 플러그를 뽑으십시오. 충전기를 청소할 때는 플러그를 뽑아야 합니다.
6. 충전기를 물이나 다른 액체로 냉각시키거나 담그지 마십시오.

△ 경고: 감전 위험. 충전기 내부에 액체가 들어가지 않도록 하십시오. 어떤 이유로든 배터리 팩을 절대 열려고 하지 마십시오. 배터리 팩의 플라스틱 하우징이 부서지거나 깨지면 재활용을 위해 서비스 센터로 반환해 주십시오.

작동 지침

공구에 배터리팩 장착 및 제거

주의: 배터리를 장착하거나 제거할 때는 반드시 잠금 해제 버튼을 고정시켜 실수로 스위치가 작동되는 것을 방지해야 합니다.

1. 배터리 팩 설치 방법: **그림 C**와 같이 배터리 팩(6)을 공구에 밀어 넣습니다.
2. 배터리 팩 제거 방법: **그림 D**와 같이 배터리 탈착 버튼(7)을 누른 채 공구에서 배터리 팩을 빼십시오.
3. **가변 속도 트리거 스위치 (그림 E)**
공구를 켤 때는 트리거 스위치(1)를 돌립니다. 공구를 끄려면 트리거 스위치를 놓습니다. 공구에는 브레이크가 장착되어 있습니다. 트리거 스위치가 완전히 해제되는 즉시 적은 중지됩니다. 변속 스위치를 사용하면 용도에 맞는 최상의 속도를 선택할 수 있습니다. 트리거를 더 밀어 넣을수록 공구가 더 빠르게 작동합니다. 중앙 펀치가 없는 사작 홀, 금속이나 플라스틱 드릴 작업, 나사를 조일 때는 속도를 낮추어 사용하십시오. 공구 수명을

최대화하려면, 시작 홀 또는 잠금장치의 경우에만 가변 속도를 사용하십시오.

참고: 가변 속도 범위의 지속적 사용은 권장되지 않습니다. 지속적 사용은 스위치를 손상시킬 수 있으므로 피해야 합니다.

4. **전진/후진 제어 버튼(그림 F)**

전진/후진 제어 버튼(2)은 공구 방향을 결정하며 잠금(lock-off) 버튼 역할도 합니다. 전진 회전을 선택하려면 트리거 스위치를 놓고 공구 오른쪽에 있는 전진/후진 제어 버튼을 눌러줍니다. 후진을 선택하려면 공구 왼쪽에서 전진/후진 제어 버튼을 눌러줍니다. 제어 버튼이 중앙에 있으면 공구가 꺼진 상태로 잠게 됩니다. 제어 버튼의 위치를 변경할 때는 반드시 트리거를 놓아야 합니다.

참고: 회전 방향을 변경한 후 처음으로 공구를 실행하면 작동 시 '짹짹' 소리가 들립니다. 이는 공구에서 발생하는 충격음이며, 이는 정상적인 현상이며 고장이 아닙니다.

5. **신속 이탈 척(그림 G)**

참고: 척은 1/4인치(6.35 mm) 육각 액세서리만 수용합니다. 스위치를 잠금 해제(중앙) 위치에 놓거나 액세서리를 충전하기 전에 배터리 팩을 제거합니다. **액세서리를 설치하려면,** 액세서리가 제자리에 잠기는 찰칵 소리가 들릴 때까지 액세서리 신속 이탈 척(4)에 끼웁니다. **액세서리를 제거하려면,** 공구 전면에서 척 칼라(3)를 떼내고, 액세서리를 제거하고 칼라를 해제합니다. **참고:** 신속 이탈 척은 스포링 장착식입니다. 척 칼라를 앞으로 당기면 액세서리가 나옵니다.

LED 작업등

트리거 스위치(1)를 덮어 임팩트 드라이버가 작동되면, 통합 LED 작업등(9)이 작업 영역을 자동으로 비춥니다. **참고:** 작업등은 인접한 작업대를 비추기 위한 것이며 손전등으로 사용하기 위한 것이 아닙니다.

BIT TIP STORAGE

비트 팁 보관

두 개의 마그네틱 비트 보관 슬롯(5)이 공구 상단부에 내장되어 있습니다.

배터리 연료계 - 그림 H

공구에는 배터리 연료계가 장착되어 있습니다(8). 이는 사용 및 충전하는 동안 배터리의 현재 충전 레벨을 표시하기 위해 사용할 수 있습니다. 공구 기능을 나타내는 것이 아니며 제품 구성품, 온도 및 최종 사용자의 용도에 따라 변경될 수 있습니다. 사용 중 배터리 충전 상태 확인:

- ◆ 배터리 연료계 버튼(H1)을 누릅니다.
- ◆ 세 개의 LED(H2)는 배터리의 충전 비율을 표시하면서 점등될 것입니다(그림 H).

- ◆ LED 등이 점등되지 않을 경우, 배터리를 충전하십시오.

참고: 이 배터리는 용량의 20% 미만 충전시에는 작동되지 않도록 설계되었습니다. 배터리 충전이 고갈되면, 배터리가 재충전될 때까지 공구가 작동되지 않습니다.

벨트 클립 - 그림 I

벨트 클립(10)은 사용하는 동안 편리한 접근과 보관을 위해 사용자의 선호에 따라 공구 양쪽 어느 쪽으로든지 전환할 수 있습니다.

△ 주의: 공구를 벨트에 장착하기 전에 전진/후진 제어 버튼(2)이 중앙의 잠금 위치에 있도록 하십시오.

유지 보수

스탠리 전동 공구는 최소한의 유지 보수로 장기간에 걸쳐 작업이 가능하도록 설계되어 있습니다. 만족스러운 연속 작동은 적절한 공구 관리와 정기적인 청소에 따라 그 성능이 달라질 수 있습니다.

충전기는 정기적인 청소 이외에 유지 보수가 필요하지 않습니다.

경고! 공구를 유지 보수하려면 먼저 공구에서 배터리를 분리하십시오. 충전을 청소하기 전에 충전기의 플러그를 뽑으십시오.

- ◆ 부드러운 브러시와 마른 헝겊으로 공구 및 충전기의 환기 슬롯을 주기적으로 청소하십시오.
- ◆ 젖은 헝겊으로 모터 하우징을 주기적으로 청소하십시오. 연마재 및 유성 클리너를 사용하지 마십시오.
- ◆ 척을 주기적으로 열고 가볍게 두드려 내부의 먼지를 털어내십시오.

환경 보호



분리 수거. 본 제품을 일반 가정용 쓰레기로 처리하면 안됩니다.



스탠리 제품을 교체해야 하거나 더 이상 쓸모가 없어졌다고 판단될 때는 본 제품을 가정용 쓰레기와 함께 처리하지 마십시오. 이 제품은 분리 수거하십시오.



사용하던 제품과 포장을 분리 수거하면 자원을 재활용 및 재사용할 수 있습니다. 재활용 자원을 이용하면 환경 오염이 방지되고 고철 자원에 대한 수요를 줄일 수 있습니다.

배터리



배터리를 완전히 사용하고 난 후 공구에서 분리하십시오.



NiCd, NiMH 및 리튬이온 배터리는 재활용할 수 있습니다. 공인 수리점이나 지역 재활용 센터로 가져가십시오.

서비스 정보

스탠리는 대한민국 전역에 영업소를 자체 운영하거나 공인 서비스 센터를 두고 있습니다. 모든 스탠리 서비스 센터에는 교육을 이수한 전문 직원이 배치되어 있어 고객에게 효과적이고 믿을 수 있는 전동 공구 서비스를 제공하고 있습니다. 기술 지원, 수리 또는 순정 교체 부품이 필요한 모든 경우에 가까운 스탠리로 연락하십시오.

참고사항

- ◆ 스탠리의 정책은 제품을 지속적으로 개선시키는 것이기 때문에 사전 통지 없이 제품 사양이 변경될 수 있습니다.
- ◆ 기본 장비 및 액세서리 구성은 국가에 따라 다를 수 있습니다.
- ◆ 제품 사양은 국가에 따라 다를 수 있습니다.
- ◆ 국가에 따라 판매하지 않는 제품도 있을 수 있습니다. 제품 판매 여부는 해당 지역에 있는 스탠리 판매점으로 문의하십시오.

STDC441L 18V 鋰電衝擊起子機

技術資料

STDC441L		
電壓	V _{DC}	18
空載轉速	/min	0-2900
衝擊次數	/min	0-3100
最大扭矩 (PTI 評級)	Nm	164
夾頭尺寸	mm	6.35
重量	kg	1.5
充電器 90600163-01		
輸入電壓	V _{AC}	110
輸出電壓	V _{DC}	20
輸出電流 (DC)	A	2
大約充電時間	min	40
電池 STBT18L		
電壓	V _{DC}	18
容量	Ah	1.5
類型	鋰離子電池	

設計用途

Stanley 衝擊扳手專門用於螺旋以及調整螺母操作。

安全指示

電動工具一般安全警告



警告！請閱讀所有安全警告及指示。不遵循下列這些警告和指示可能會導致觸電、火災及/或嚴重傷害。

請妥善保存所有的警告和使用手冊以備將來查閱。下列所有警告中的名詞「電動工具」是指電源驅動（插電）電動工具，或者電池驅動（充電）電動工具。

1. 工作場地

- 保持工作場地清潔和明亮。混亂或黑暗的場地會引發事故。
- 不要在易爆環境，如有易燃液體、氣體或塵埃的環境中操作電動工具。電動工具產生的火花可能會點燃粉塵或氣體。
- 請等待兒童和旁觀者離開之後才操縱電動工具。分心會導致您疏於控制。

2. 電氣安全

- 電動工具插頭必須與插座相符。請勿以任何方式改裝插頭。需接地的電動工具不能使用任何配接器插頭。未經改裝的插頭和相符的插座可以減少觸電危險。
- 避免人體接觸接地表面，如管道、散熱片、爐灶和冰箱。若您的身體接地可增加觸電危險。
- 不得將電動工具暴露在雨中或潮濕環境中。水進入電動工具會增加觸電危險。
- 請勿濫用電線。請勿使用電線來搬運、拉動電動工具或拔出插頭。讓電線遠離熱、油、銳邊或活動部件。受損或纏繞的電線可增加觸電危險。
- 若要在戶外使用電動工具，請使用適合戶外使用的延長電線。使用適合戶外使用的電線可減少觸電危險。
- 若必須在潮濕場合使用電動工具，請使用漏電保護器 (RCD)。使用 RCD 可降低觸電危險。

3. 人身安全

- 保持警覺；在操作電動工具時，請留意所執行的操作並按照一般的程式執行。切勿在疲倦，或受到藥物、酒精或治療的影響下操作電動工具。操作電動工具期間注意力分散會導致嚴重人身傷害。
- 使用個人防護裝置。始終佩戴護目鏡。防護裝置，例如在適當條件下可使用的防塵面具、防滑安全鞋、安全帽或聽力保護等裝置可減少人身傷害。
- 避免意外啟動。連接電源/或電池組、檢取或搬運電動工具之前，請確定開關處於關閉位置。搬運電動工具時若將手指放在開關上，或是在接通開關電源時插入插頭都會引發危險。
- 接通電動工具之前，請卸下所有的調整鑰匙及扳手。遺留在電動工具旋轉部件上的扳手或鑰匙會導致人身傷害。
- 不要過度伸張雙手。時刻注意腳下和身體的平衡。如此即可在發生意外的情況下更好地控制電動工具。
- 適當穿著。不要穿寬鬆衣服或佩戴飾品。讓您的頭髮、衣服和手套遠離活動部件。寬鬆衣服、佩飾和長髮可能會捲入活動部件。
- 若配備用於連接排屑裝置、集塵設備的裝置，請確定正確連接和使用這些裝置。使用集塵設備可減少與塵埃有關的危險。

4. 電動工具的使用與注意事項

- 不要超負荷使用電動工具。**根據您的用途使用適當的電動工具。使用適當的電動工具、讓它在設計可負荷的應用內運轉，會讓您更有效、更安全地執行工作。
- 若開關不能開啟或關閉電源，請勿使用該電動工具。**不能用開關來控制的電動工具將存在危險，必須進行維修。
- 在更換配件、儲存工具或執行任何調整之前，必須從電源上拔掉插頭及/或從電動工具卸下電池組。**這類防護性措施可降低電動工具意外啟動的風險。
- 將閒置的電動工具儲存在兒童無法觸及的地方，並且不要讓不熟悉電動工具操作、或對這些使用指示不瞭解的人員操作電動工具。**電動工具在未經培訓的使用者手中會發生危險。
- 維護電動工具。**檢查活動部件是否對準或卡住、是否存在任何破損情況，或任何能影響電動工具運行的其他情況。若有損毀，必須在使用之前修理電動工具。許多事故都是由於電動工具欠缺維護所導致。
- 保持切割工具鋒利和清潔。**妥善維護、切削鋒利的切割工具不會輕易卡住並可更輕鬆控制。
- 遵循使用指示以及工作條件和所要執行的工作使用電動工具、配件和工具鑽頭等。**不按照設計目的使用電動工具會導致危險。

5. 電池工具的使用與注意事項

- 只能使用製造廠商指定的充電器為電池充電。**使用僅適合一種電池組的充電器為其他類型的電池組充電會導致火災危險。
- 請使用原廠的電動工具電池組。**使用其他非原廠的電池組會導致人身傷害和火災危險。
- 不使用電池組時，請將其遠離如迴紋針、硬幣、鑰匙、釘子、螺釘以及其他可連通電池兩極的金屬物品。**將電池兩極短路會導致灼傷或火災。
- 濫用電池的情況下，液體會從電池中噴出；避免與液體接觸。**若不小心接觸液體，請用清水沖洗。若液體噴濺到眼睛上，沖洗之後還要進行治療。從電池噴出的液體會刺激皮膚或造成灼傷。

6. 檢修

- 本電動工具必須由合格的維修人員並只採用相同的替換零件來執行檢修。**這將確保電動工具的安全性。

電動工具之附加安全警告



警告！衝擊扳手之附加安全警告

- ◆ 請在使用衝擊電鑽時佩戴聽力保護器。噪音會使聽力受損。
- ◆ 請使用工具隨附的輔助手柄。工具失控會導致人身傷害。
- ◆ 若在執行操作時扣件可能會接觸隱藏的電線，請從絕緣手柄表面握住電動工具。若扣件接觸到「帶電」導線，電動工具金屬部件表面就會「帶電」，可能導致操作人員觸電。
- ◆ 使用夾具或採取其他可行的方法，將工件固定、支撐到穩定的平台上。手持工件或用身體抵住工件會使工件不穩定並可能導致失控。
- ◆ 體力、感覺或智力不足，或者缺乏經驗及知識的人員（包括小孩）不適合使用本工具，除非負責他們安全的人員已經為他們提供關於使用此器具的監督或指示。必須監督小孩，確保他們沒有耍玩器具。
- ◆ 工具的設計用途在本使用手冊中描述。使用非本使用手冊所建議的任何其他配件或附件，或使用本工具執行本使用手冊中所建議之外的任何其他操作，可能會導致人身傷害及/或財 損害的危險。



警告！衝擊扳手並非扭矩扳手。請勿使用此工具用於以特定扭矩擰緊扣件。扣件擰得過鬆或過緊會導致連接失效，這時必須單獨使用已較準的扭矩測量裝置（例如扭矩扳手）。

其他安全資訊

- ◆ 體力、感覺或智力不足，或者缺乏經驗及知識的人員（包括小孩）不適合使用本器具，除非負責他們安全的人員已經為他們提供關於使用此器具的監督或指示。
- ◆ 必須監督小孩，確保他們沒有耍玩器具。
- ◆ 聽力受損。
- ◆ 吸入使用工具時產生的塵埃引起的健康危害。（譬如：在木材上使用時，尤其是櫟木、山毛櫸和中密度纖維板（MDF））

工具上的標籤

工具上可能會附帶下列符號：



警告！為了降低受傷的風險，使用者必須仔細閱讀使用手冊。

電池和充電器之附加安全指示

電池

- ◆ 無論什麼原因，都不要嘗試打開電池。
- ◆ 請勿將電池暴露在水中。
- ◆ 不要將電池儲存在溫度可能超過 40°C 的地方。
- ◆ 只在溫度介於 10°C 和 40°C 之間的環境中
- ◆ 充電。
- ◆ 只能使用本工具隨附的充電器為電池充電。
- ◆ 處置電池時，請遵循「保護環境」部份所提供的指示執行。



切勿試圖為損毀的電池充電。

充電器

- ◆ 只能使用工具隨附的 Stanley 充電器為工具內的電池充電。其他非原廠電池可能會爆裂，導致人身傷害和損害。
- ◆ 切勿嘗試為不可再充電的電池充電。
- ◆ 立即更換損壞的電線。
- ◆ 請勿將充電器暴露在水中。
- ◆ 請勿打開充電器。
- ◆ 請勿刺破充電器。



本充電器僅供室內使用。



使用之前請閱讀使用手冊。

電氣安全



您的充電器採用雙重絕緣，因此不需要使用接地線。請務必檢查主電壓是否與銘牌一致。切勿嘗試使用一般的電源插頭取代充電器裝置。

- ◆ 若電源線損毀，必須讓製造廠商或 Stanley 授權服務中心進行更換以避免發生危險。

功能部件

本工具包括以下部份或全部功能零件（圖 A）。

1. 觸發開關
2. 正/反轉按鈕
3. 夾頭調整環
4. 六角形快速釋放夾頭
5. 磁力鑽頭夾持器 (2)
6. 電池
7. 電池釋放按鈕
8. 電池電量計
9. LED 工作燈
10. 皮帶扣

電池充電器重要安全指示

體力、感覺或智力不足，或者缺乏經驗及知識的人員（包括小孩）不適合使用本器具，除非負責他們安全的人員已經為他們提供關於使用此器具的監督或指示。

必須監督小孩，確保他們沒有耍玩器具。

請保存這些安全指示：本手冊提供電池充電器的重要安全指示。

- ◆ 在使用充電器之前，請先閱讀所有指示以及充電器、電池組和使用電池組的產品上的警告標記。
- △ **警告：觸電危險。**切勿讓任何液體進入充電器。
- △ **小心：燒傷危險。**為了減低受傷風險，只能使用 Stanley 專用的電池。其他非原廠電池可能會爆裂，導致人身傷害和損害。
- △ **小心：**在某些情況下，充電器連接到電源後，充電觸頭會被異物導致短路。導電的異物，包括但不限於鋼絲絨、鋁箔紙或任何由金屬粒子組成的物件，必須要遠離充電器範圍。充電器裡沒有電池組時，一定要拔掉充電器的電源。請先拔掉電源插頭後再清潔充電器。
- ◆ **切勿嘗試使用本手冊未提到的充電器替電池組充電。**充電器和電池組是為了一同使用而特別設計。
- ◆ **除了為 Stanley 的專用電池充電之外，這些充電器不可以用於其他用途。**否則可能會導致火災、觸電或觸電致死。
- ◆ **切勿把充電器暴露在雨、雪之中。**

- ◆ 中斷充電器的電源時，請拔除插頭而非拉扯電線。這樣會減低電源插頭和電線損 的風險。
 - ◆ 請確保電線的位置不會被踐踏、令人絆倒或引起其他方式的損壞或受傷。
 - ◆ 除非絕對需要，否則請勿使用延長電線。使用不適當的延長電線會引起火災、觸電或觸電致死。
 - ◆ 為保安全，延長電線必須具備適當的導線尺寸。導線的線規數字越小，電線的承載電流能力越高，即 16 號線規比 18 號線規的承載電流能力高。若要使用多於一條延長電線補足長度，請確保每條延長電線至少達到最小的導線尺寸。
 - ◆ 請勿將任何物件放在充電器上面，或是把充電器放在可能會堵住通風槽的柔軟表面，導致充電器的內部過熱。請將充電器放到遠離熱源的位置。充電器通過外殼頂部和底部的通風槽散熱。
 - ◆ 切勿操作電線或插頭損壞的充電器 — 請立即更換損壞的部分。
 - ◆ 如果充電器受到重擊、墜落或出現其他損壞情況，請勿使用充電器，並拿到授權維修中心修理。
 - ◆ 切勿自行拆卸充電器。需要維護或修理時，請拿到授權維修中心。重新組裝不當可能會導致觸電、觸電致死或火災。
 - ◆ 在清潔之前，請將充電器的插頭從電源插座上拔掉，這樣可以減低觸電風險。拆除電池組並不能夠降低這種風險。
 - ◆ 絕對不可以試圖把兩個充電器連接在一起。
 - ◆ 充電器是為標準家用電源而設計。切勿試圖使用其他電壓。
 - ◆ 如果電池液體接觸到皮膚，請立即以中性肥皂和清水沖洗接觸範圍。若電池液進入眼睛，立即用清潔的水沖洗 15 分鐘或直到刺激停止。如果需要接受治療，鋰離子電池的電解質由液化有機碳酸鹽和鋰鹽構成。
 - ◆ 開啟的電池中的物質可能會導致刺激呼吸道。請保持空氣流通。如果症狀持續，請尋求醫療協助。
- △警告：燒傷危險。電池液如遇到火花或火焰可能會引起燃燒。
- 只可使用 **Stanley** 充電器為電池充電。
 - 切勿將水分或其他液體飛濺到電池組或將電池組浸沒，這可能會導致電池壽命減短。
 - 請勿在溫度可能達到或超過 105°F (40°C) 的地方儲存或使用本工具和電池組（例如夏季時沒有遮擋的地方或金屬建築物）。
- △警告：不論是因為任何理由，都不要嘗試打開電池。如果電池組的外殼破裂或損毀，請勿放進充電器。切勿撞擊、摔落或損毀電池組。切勿使用受到重擊、墜落或出現其他損壞情況的電池組或充電器（例如釘子刺穿、以錘子敲打或踩踏）。損毀的電池組應該送回維修中心進行回收。
- △警告：火災危險。切勿在儲存或搬運電池時讓金屬物件接觸暴露的電池兩極。例如，不要將電池放在帶有鬆動的釘子、螺絲、鑰匙等的地方（如圍裙、口袋、工具箱、產品包裝箱、抽屜等）。搬運電池時若電池兩極意外接觸導電材料（如鑰匙、硬幣、手持工具等），可能會引起火災。註：鋰離子電池不應放在託運行李中。

請保存這些安全指示

電池組重要安全指示

警告：為確保安全操作，使用充電器前請先閱讀本手冊和工具隨附的手冊。

包裝內的電池組並未完全充電。在使用電池組和充電器之前，請先閱讀以下安全指示，並遵循所列的充電程序。

請閱讀所有指示

- ◆ 即使電池組已嚴重損毀或磨損，請勿焚燒電池組。電池組可能會在火中爆炸。焚燒鋰離子電池組時會產生有毒氣體和物料。
- ◆ 不要在易爆環境，如有易燃液體、氣體或塵埃的環境中進行充電或使用電池。將電池組放進充電器或拆除電池可能會點燃粉塵或氣體。



儲存建議

1. 乾燥、涼爽、太陽不會直接照射、不會過熱或過冷的地方，就是電池組的最佳存放地點。
2. 長期存放不會電池組或充電器造成損害。

充電程序

Stanley 充電器專用為


Stanley 電池組充電，可在 40-60 分鐘內充滿電，具體取決於電池組的充電情況。

1. 放進電池組前，先將充電器的插頭插到適當的插座。
2. 將電池組放進充電器。（圖 B）
3.  LED 將會閃爍，指示電池正在充電。
4.  當 LED 燈持續亮起時，代表充電完成。這個時候，電池組的電力全滿，可以立即使用或是留在充電器裡。


充電器診斷

此充電器經過專門設計，能夠偵測電池組或電源可能出現的某些問題，並透過 LED 燈的不同閃爍模式來指示問題所在。

電池故障

 充電器能夠偵測到電力不足或電池受損。LED 燈的閃爍模式標註在標籤上。如果您發現 LED 出現故障電池閃爍模式，請勿繼續對電池進行充電。請將電池送回維修中心或回收站進行回收。

電池組熱/冷延遲

 當充電器偵測到電池過熱或過冷，就會自動啟動電池組熱/冷延遲，在電池達到正常溫度之前暫停充電。隨後，充電器會自動轉換到電池組充電模式。這項功能有效延長電池的壽命。LED 燈按標籤上標註的模式閃爍。

將電池留在充電器中

充電器和電池組可以在 LED 亮起的情況下無限期地保持連接。充電器會為電池組充滿電，保持電池電量充足。並且充電器具備自動自動調校模式，能夠均衡或平衡電池組中的單個電池，以使電池容量發揮至最大。電池組要每週調校一次，或是每當電池無法輸出同等效能時進行調校。如需使用自動調校模式，請將電池組放入充電器，並至少充電 8 小時。

重要充電說明

- 在空氣溫度介於 65°F 至 75°F (18 - 24°C) 之間的環境中充電可以達到最長的使用壽命和最佳的效能。請勿在空氣溫度低於 40°F (+4.5°C) 或高於 105°F (+40.5°C) 的環境中對電源組充電。這很重要，可以防止對電源組造成嚴重損壞。
- 充電器和電池組在充電時可能會變熱。這是正常現象，並不代表出現任何問題。使用後，為了加速電池組冷卻，請不要將充電器或電池組置於高溫環境中，例如金屬貨棚或非絕緣的拖車。
- 如果電源組沒有正常充電：
 - 在插座中插入燈具或其他電器的插頭，以檢查插座中是否有電流。
 - 檢查插座是否與燈具開關相連接，如果連接，燈具開關在關閉燈具時會切斷電源。

- 將充電器和電源組移至空氣溫度約為 65°F - 75°F (18 - 24°C) 的環境中。
 - 如果問題仍然存在，請將工具、電源組和充電器送到當地的維修中心。
- 當電池組無法像從前一樣為作業輕鬆提供足夠的電量時，應該對其充電。在此類情況下且勿繼續使用，請按充電程序進行充電。如有需要，您還可對已使用部分電量的電池組進行充電，這對電池組不會有任何不良影響。
 - 導電的異物，包括但不限於鋼絲絨、鋁箔紙或任何由金屬粒子組成的物件，必須要遠離充電器範圍。充電器裡沒有電池組時，一定要拔掉充電器的電源。請先拔掉電源插頭後再清潔充電器。
 - 切勿冷凍充電器，或將充電器浸在水中或任何其他液體中。
- △ 警告：觸電危險。**切勿讓任何液體進入充電器。不論是因為任何理由，都不要嘗試打開電池組。如果電池組的塑膠外殼破損或裂開，請送回維修中心進行回收。

操作說明書

電池組安裝與拆卸

小心：卸下或安裝電池組之前，請確保鎖止按鈕已接合，以防止開關啟動。

- 若需安裝電池組：如圖 C 所示，將電池組 (6) 放入工具中。
- 若需取下電池組：如圖 D 所示，按下電池釋放按鈕 (7) 並從工具中取下電池組。
- 變速觸發開關 (圖 E)

若要啟動工具，請擠壓觸發開關 (1)。若要把工具關掉，請鬆開觸發開關。本工具配有制動器。一旦完全鬆開觸發開關，夾頭就會馬上停止。變速開關可讓您因應特定用途選擇最適用的速度。您愈用力擠壓觸發器，工具便會以更快的速度運行。在沒有中心衝的情況下鑽起始孔、在金屬或塑膠上鑽孔，或鑽入螺釘時，請使用比較慢的速度。為了延長工具的壽命，請僅在鑽起始孔或扣件時才使用變速。

註：不建議在變速範圍內進行持續使用。這會損壞開關，應當避免。
- 正/反轉控制按鈕 (圖 F)

正/反轉控制按鈕 (2) 決定工具的方向，同時具備鎖定關閉功能。若要選擇正轉，請鬆開觸發開關，然後按下工具右邊的正/反轉控制按鈕。若要選擇反轉，請按下工具左邊的正/反轉控制按鈕。

當控制按鈕處於中心位置時，工具會被鎖定在 OFF（關閉）位置。要改變控制按鈕的位置時，請確定觸發器已經鬆開。

註：當您改變轉動方向後第一次操作工具，您會在啟動時聽到卡嗒聲。卡嗒聲和工具發出的衝擊聲屬於正常現象，不代表工具出現問題。

5. 快速釋放夾頭 (圖 G)

註：夾頭僅使用 1/4 英寸 (6.35 mm) 六角形配件。在轉換配件之前，請將開關鎖定到關閉（中央）位置或取出電池組。

若要安裝配件，請將配件插入快速釋放夾頭 (4) 中，直至聽到一聲清晰的卡嗒聲，以確保配件鎖定到位。

若要取下配件，請將夾頭調整環 (3) 從工具前端拉出，然後取下配件並且鬆開調整環。

註：快速釋放夾頭裝有彈簧加壓。當夾頭調整環向前拉出時，配件會被彈出。

LED 工作燈

擠壓觸發開關 (1) 啟動衝擊扳手時，集成的 LED 工作燈 (9) 會自動為工作區提供照明。**註：**工作燈用於照亮緊鄰的工作表面，而不是設計作為手電筒使用。

鑽頭儲存區

兩個磁力鑽頭儲存槽 (5) 內建於工具的頂部。

電池電量計 - 圖 H

工具配有一個電池電量計 (8)。在電池使用和充電期間，電池電量計可用於顯示當前的電量水平。它並不指示工具功能，且根據工具組件、溫度和最終使用者的應用而有所不同。

檢查使用期間的電量水平：

- ◆ 按下電池電量計按鈕 (H1)。
- ◆ 三個 LED 燈 (H2) 將會亮起，以指示電池的電量百分比 (圖 H)。
- ◆ 若 LED 燈不亮，請給電池充電。

註：電池設計為當電量水平低於其容量的 20% 時停止工作。當電池電量耗盡時，工具將停止運行，直至電池重新充電。

皮帶扣 - 圖 I

使用者可根據操作習慣將皮帶扣 (10) 轉到工具的任意一側，以便於工具的使用和儲存。

△ **小心：**將工具附接到皮帶上時，請確保正/反轉控制按鈕 (2) 處於中間鎖定位置。

維護

您的 Stanley 工具採用卓越的設計，能夠長時間使用，並且只需最少的維護。若要持續獲得滿意的操作效果，需進行正確的工具維護和定期的清潔。

您的充電器除了定期清潔之外，並不需要執行任何維護操作。

警告！在工具上執行任何維護工作之前，請卸下工具內的電池。清潔之前請拔下充電器的插頭。

- ◆ 請定期使用軟刷或軟布清潔工具和充電器內的通風槽。
- ◆ 定期使用濕布清潔電動機外殼。請勿使用任何研磨性或基於溶劑的清潔劑。
- ◆ 請定期打開夾頭並輕敲以去除內部的任何塵埃。

保護環境



分類收集。本產品必須與一般家庭廢物分開處置。

若您發現您的 Stanley 產品需要進行更換，或您已經不再需要使用這些產品，請不要將它們與家庭廢物一起處置。務必將本產品送往分類收集處。



分類收集用過的產品和包裝允許材料循環再生利用。重新使用循環利用的材料有助於防止環境污染，並減少原材料的需求。

電池



使電池完全放電，然後將它從工具中卸下。

鎳鎘、鎳氫電池和鋰離子電池均為可回收電池。請將它們送往任一授權維修中心或當地的回收站。

備註

- ◆ Stanley 的政策是持續改善我們的產品，因此，我們保留隨時變更產品規格的權利，恕不另行通知。
- ◆ 標準裝置和配件可能會根據不同的國家/地區而有所不同。
- ◆ 產品規格可能會根據不同的國家而有所不同。
- ◆ 並非所有的國家/地區都將提供完整的產品系列。如需各產品系列的供應情況，請聯絡您當地的 Stanley 代理商。

進口商：永安實業股份有限公司

地址：新北市三重區新北大道二段137號

電話：02-29994633