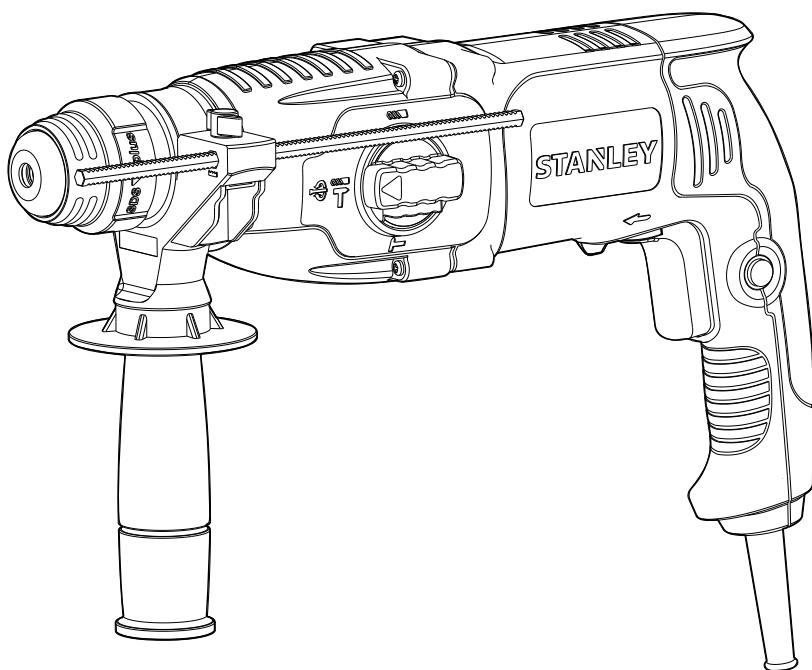
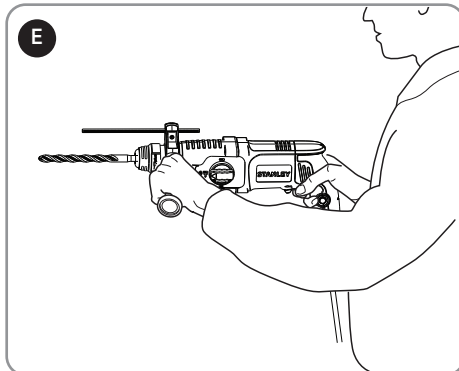
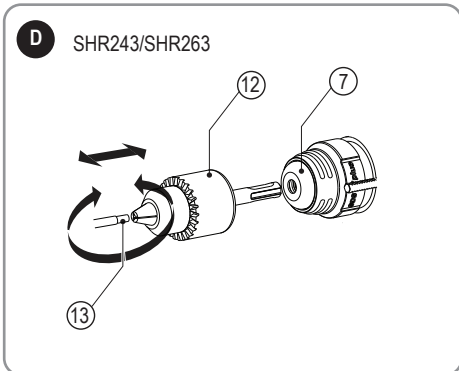
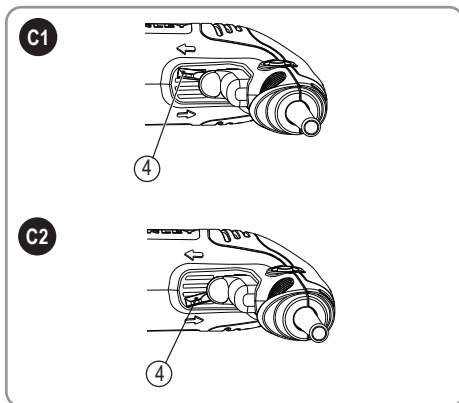
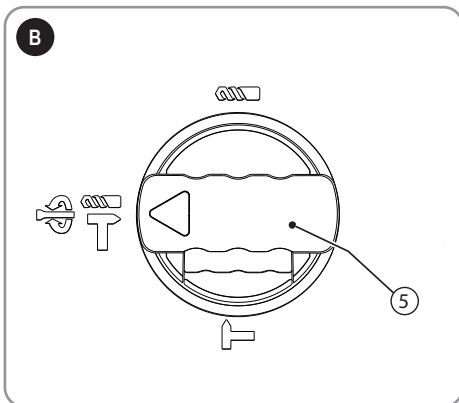
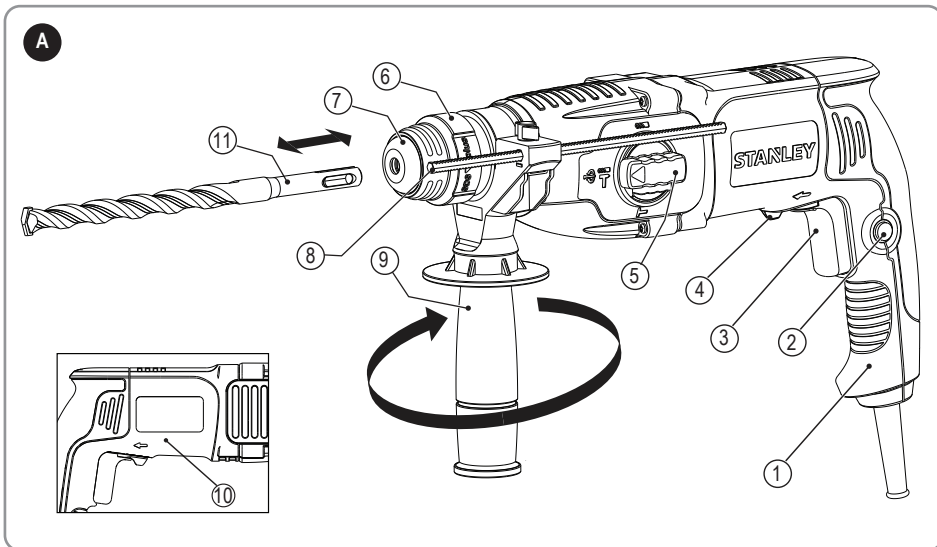


STANLEY



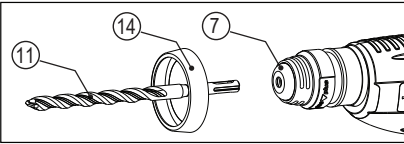
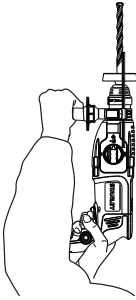
SHR243
SHR263
SHR264

English	4
繁體中文	11
한국어	18
Bahasa Indonesia	26
ภาษาไทย	34
Tiếng Việt	41

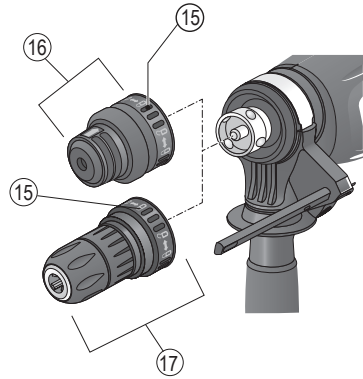


* The picture above may differ slightly to actual unit.

F



G SHR264



Intended use

Your Stanley SHR243/SHR263/SHR264 SDS plus rotary hammer is intended to drill holes in concrete, bricks, wood, and steel, light chipping, demolition applications and for carbide tipped core drilling or use for screw driver. This tool is intended for professional use.

SAFTY INSTRUCTION

General Power Tool Safety Warnings



WARNING! Read all safety warnings and all instructions. Failure to follow the warnings and instructions may result in electric shock, fire and/ or serious injury.

Save all warnings and instructions for future reference. The term “power tool” in the warnings refers to your mains-operated (corded) power tool or battery operated (cordless) power tool.

1. **Work area safety**
 - a. **Keep work area clean and well lit.** Cluttered or dark areas invite accidents.
 - b. **Do not operate power tools in explosive atmospheres, such as in the presence of flammable liquids, gases or dust.** Power tools create sparks which may ignite the dust or fumes.
 - c. **Keep children and bystanders away while operating a power tool.** Distractions can cause you to lose control.
2. **Electrical safety**
 - a. **Power tool plugs must match the outlet. Never modify the plug in any way. Do not use any adapter plugs with earthed (grounded) power tools.** Unmodified plugs and matching outlets will reduce risk of electric shock.
 - b. **Avoid body contact with earthed or grounded surfaces, such as pipes, radiators, ranges and refrigerators.** There is an increased risk of electric shock if your body is earthed or grounded.
 - c. **Do not expose power tools to rain or wet conditions.** Water entering a power tool will increase the risk of electric shock.
 - d. **Do not abuse the cord. Never use the cord for carrying, pulling or unplugging the power tool. Keep cord away from heat, oil, sharp edges or moving parts.** Damaged or entangled cords increase the risk of electric shock.
 - e. **When operating a power tool outdoors, use an extension cord suitable for outdoor use.** Use of a cord suitable for outdoor use reduces the risk of electric shock.
 - f. **If operating a power tool in a damp location is unavoidable, use a residual current device (RCD) protected supply. Use of an RCD reduces the risk of electric shock.** NOTE: The term “residual current device (RCD)” may be replaced by the term “ground fault circuit interrupter (GFCI)” or “earth leakage circuit breaker (ELCB)”.
3. **Personal safety**
 - a. **Stay alert, watch what you are doing and use common sense when operating a power tool. Do not use a power tool while you are tired or under the influence of drugs, alcohol or medication.** A moment of inattention while operating power tools may result in serious personal injury.
 - b. **Use personal protective equipment. Always wear eye protection.** Protective equipment such as dust mask, non-skid safety shoes, hard hat, or hearing protection used for appropriate conditions will reduce personal injuries.
 - c. **Prevent unintentional starting. Ensure the switch is in the off-position before connecting to power source and/ or battery pack, picking up or carrying the tool.** Carrying power tools with your finger on the switch or energising power tools that have the switch on invites accidents.
 - d. **Remove any adjusting key or wrench before turning the power tool on.** A wrench or a key left attached to a rotating part of the power tool may result in personal injury.
 - e. **Do not overreach. Keep proper footing and balance at all times.** This enables better control of the power tool in unexpected situations.
 - f. **Dress properly. Do not wear loose clothing or jewellery. Keep your hair, clothing and gloves away from moving parts.** Loose clothes, jewellery or long hair can be caught in moving parts.
 - g. **If devices are provided for the connection of dust extraction and collection facilities, ensure these are connected and properly used.** Use of dust collection can reduce dust-related hazards.
4. **Power tool use and care**
 - a. **Do not force the power tool. Use the correct power tool for your application.** The correct power tool will do the job better and safer at the rate for which it was designed.
 - b. **Do not use the power tool if the switch does not turn it on and off.** Any power tool that cannot be controlled with the switch is dangerous and must be repaired.
 - c. **Disconnect the plug from the power source and/ or the battery pack from the power tool before making any adjustments, changing accessories, or storing power tools.** Such preventive safety measures reduce the risk of starting the power tool accidentally.
 - d. **Store idle power tools out of the reach of children and do not allow persons unfamiliar with the power tool or these instructions to operate the power tool.** Power tools are dangerous in the hands of untrained users.
 - e. **Maintain power tools. Check for misalignment or binding of moving parts, breakage of parts and any other condition that may affect the power tool’s operation. If damaged, have the power tool repaired before use.** Many accidents are caused by poorly maintained power tools.

- f. **Keep cutting tools sharp and clean.** Properly maintained cutting tools with sharp cutting edges are less likely to bind and are easier to control.
- g. **Use the power tool, accessories and tool bits etc.** in accordance with these instructions, taking into account the working conditions and the work to **be performed**. Use of the power tool for operations different from those intended could result in a hazardous situation.
5. **Service**
- a. **Have your power tool serviced by a qualified repair person using only identical replacement parts.** This will ensure that the safety of the power tool is maintained.

ROTARY HAMMER SAFETY WARNINGS

- ♦ **Wear ear protectors.** Exposure to noise can cause hearing loss.
- ♦ **Use auxiliary handle(s), if supplied with the tool.** Loss of control can cause personal injury.
- ♦ **Hold power tool by insulated gripping surfaces, when performing an operation where the cutting accessory may contact hidden wiring or its own cord.** Cutting accessory contacting a "live" wire may make exposed metal parts of the power tool "live" and could give the operator an electric shock.
- ♦ Never use a chisel accessory in rotary mode. The accessory will bind in the material and rotate the drill.
- ♦ Use clamps or another practical way to secure and support the work piece to a stable platform. Holding the work by hand or against your body leaves it unstable and may lead to loss of control.
- ♦ Before drilling into walls, floors or ceilings, check for the location of wiring and pipes.
- ♦ Avoid touching the tip of the drill bit after drilling so as to avoid scalding.
- ♦ The intended use is described in this instruction manual. The use of any accessory or attachment or performance of any operation with this tool other than those recommended in this instruction **manual may** present a risk of personal injury and/or damage to property.

Note: Mains voltage: When connecting to the mains, it is imperative to verify if the voltage of the mains matches that of the power tool. If the mains voltage exceeds the voltage indicated on the power tool, the user may become severely injured in an accident, and the tool may be damaged. On the contrary, if the mains voltage is lower than the voltage required by the tool, the motor may be damaged as a result. Thus, if it is not possible to verify the voltage, it is imperative not to plug in to the power source.

RESIDUAL RISKS

Additional residual risks may arise when using the tool which may not be included in the enclosed safety warnings. These risks can arise from misuse, prolonged use etc. In spite of the application of the relevant safety regulations and the implementation of safety devices, certain risks cannot be avoided. These are:




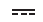



- ♦ Injuries caused by touching any rotating/moving parts.
- ♦ Injuries caused when changing any parts, blades or accessories.
- ♦ Injuries caused by prolonged use of a tool. When using any tool for prolonged periods ensure you take regular breaks.
- ♦ Impairment of hearing.
- ♦ Health hazards caused by breathing dust developed when using your tool (example:- working with wood, especially oak, beech and MDF.)


SAFETY OF OTHERS

- ♦ This appliance is not intended for use by persons (including children) with reduced physical, sensory or mental capabilities, or lack of experience and knowledge, unless they have been given supervision or instruction concerning use of the appliance by a person responsible for their safety.
- ♦ Children should be supervised to ensure that they do not play with the appliance.

LABELS ON TOOL

The following symbols are shown on the tool along with date code:

	WARNING! To reduce the risk of injury, the user must read the instruction manual before use.		
	Wear ear protection.		
	Wear safety glasses or goggles.		
V	Volts		Direct current
A	Amperes	n_0	No-Load Speed
Hz	Hertz		Class II Construction
W	Watts		Earthing Terminal
min	minutes		Safety Alert Symbol

	Alternating Current	/min.	Revolutions or Reciprocation per minute
--	---------------------	-------	---

Position of Date Code (Fig. A)

The Date Code (10), which also includes the year of manufacture, is printed into the housing.

Example:

2017 XX JN
Year of manufacturing

PACKAGE CONTENTS

The package contains:

- 1 Compact rotary hammerdrill
- 1 Side handle
- 1 Depth stop
- 1 Kitbox
- 1 Drill chuck (Optional)
- 1 Bit (Optional)
- 1 Instruction manual
- 1 Dust collector
- 1 Keyless chuck (SHR264)

- ♦ Check for damage to the tool, parts or accessories which may have occurred during transport.
- ♦ Take the time to thoroughly read and understand this manual prior to operation.

ELECTRICAL SAFETY



Your tool is double insulated; therefore no earth wire is required. Be sure to check that the power supply corresponds to the voltage on the rating plate.



If the supply cord is damaged, it must be replaced by the manufacturer or an authorised Stanley Black and Decker Service Centre in order to avoid a hazard.

USING AN EXTENSION CABLE

If it is necessary to use an extension cable, please use an approved extension cable that fits the tool's power input specifications. The minimum cross-sectional area of the conducting wire is 1.5 sq. mm. Cables should be untangled before reeling up.

Cable cross-sectional area (mm ²)	Cable rated current (Ampere)
0.75	6
1.	10

1.50	15
2.50	20
4.00	25

Cable length (m)						
	7.5	15	25	30	45	60

Voltage	Amperes	Cable rated current (Ampere)					
115	0 - 2.-	6	6	6	6	6	10
	2.1 - 3.4	6	6	6	6	15	15
	3.5 - 5.0	6	6	10	15	20	20
	5.1 - 7.0	10	10	15	20	20	25
230	7.1 - 12.0	15	15	20	25	25	-
	12.1 - 20.0	20	20	25	-	-	-
	0 - 2.0	6	6	6	6	6	6
	2.1 - 3.4	6	6	6	6	6	6
230	3.5 - 5.0	6	6	6	6	10	15
	5.1 - 7.0	10	10	10	10	15	15
	7.1 - 12.0	15	15	15	15	20	20
	12.1 - 20.0	20	20	20	20	25	-

FEATURES (FIG. A, FIG. D, FIG. F, FIG. G)

This tool includes some or all of the following features.

1. Main handle
2. Lock-on button
3. Variable Speed Switch
4. Forward/Reverse Lever
5. Mode Selector
6. Sleeve
7. Tool clamp
8. Depth Stop
9. Side Handle
10. Date code
11. SDS bit
12. Drill chuck
13. Drill bit
14. Dust collector
15. Locking collar
16. SDS Plus Tool Holder
17. Keyless chuck

ASSEMBLY

WARNING! Before assembly, make sure that the tool is switched off and unplugged.

Attaching the Side Handle (Fig. A)

WARNING! When using the tool, please use the side handle (9) for your safety.

The side handle can be fitted to suit both right-handed and left-handed users.

- ♦ Turn the grip counter-clockwise until you can slide the side handle onto the front of the tool.
- ♦ Rotate the side handle into the desired position.
- ♦ Tighten the side handle by turning the grip clockwise.

WARNING! When using the tool, remember to install the side handles properly.

Fitting an accessory (Fig. A)

- ♦ Clean and grease the shank (11) of the accessory.
- ♦ Insert the accessory bar into the tool clamp (7).
- ♦ Push the accessory down and turn it slightly until it fits into the slots.
- ♦ Pull on the accessory to check if it is properly locked. The hammering and drilling function requires the accessory to be able to move axially several centimetres when locked in the tool clamp.
- ♦ To remove the accessory, pull back the sleeve (6) and pull out the accessory from the tool clamp.

Fitting an dust collector (Fig. F)

- ♦ Insert the accessory bar (11) into dust collector (14), then insert the accessory bar (11) with dust collector into tool clamp (7).
- ♦ Only using the unit upwardly is necessary to use the dust collector like Fig. F.

USE

WARNING! Always wear gloves when you change accessories. The exposed metal parts on the tool and accessory may become extremely hot during operation.

Please operate tool with normal load. Do not overload. Do not abuse the tool, please refer instruction manual to use the tool correctly.

WARNING! Before drilling into walls, floors or ceilings, check for the location of wiring and pipes.

Setting the drilling depth (Fig. A)

The depth stop is a convenient feature to ensure uniformity in drilling depth. Loosen the side handle to adjust the depth gauge according to the required depth. After that, tighten

the side handle.

- ♦ Slacken the side handle (9) by turning the grip counterclockwise.
- ♦ Set the depth stop (8) to the required position. The maximum drilling depth is equal to the distance between the tip of the drill bit and the front end of the depth stop.
- ♦ Tighten the side handle by turning the grip clockwise.

Switching on and off (Fig. A)

WARNING! Before plugging in to the power source, make sure the switch can be flipped freely, and can return to its original position once released. Please check switch lock on position before turn on and make sure switch lock off before plugging in to the power source.

- ♦ To switch the tool on, press the variable speed switch (3). The tool speed depends on how far you press the switch.
- ♦ As a general rule, use low speeds for large diameter drill bits and high speeds for smaller diameter drill bits.
- ♦ For continuous operation, press the lock-on button (2) and release the variable speed switch.
- ♦ To switch the tool off, release the variable speed switch. To switch the tool off when in continuous operation, press the variable speed switch once more and release it.

WARNING! When the user leaves, or pick up, transport, manner and position the tool, make sure that tool is switched off and unplugged.

Fitting drill chuck (Fig D) (SHR243, SHR263)

Optional accessory

- ♦ Insert the drill chuck (12) into the tool clamp (7) according to the instructions for installing attachments.
- ♦ Turn the drill chuck to loosen the clamps at the front-end of the drill-clamp, and insert the accessory bar (13) into the clamps and turn the chuck in the opposite direction.
- ♦ You may also use the drill chuck key to tighten the clamp.



Warning: Never use standard chucks in the hammer-drilling mode

Replacing the SDS Plus Tool Holder with the

Keyless Chuck (Fig. G) (SHR264)

- ♦ Turn the locking collar (15) into the unlocking position and pull the SDS Plus Tool Holder (16) off.
- ♦ Push the keyless chuck (17) onto the spindle and turn

the locking collar (15) to the locking position.

To replace the keyless chuck with the SDS Plus tool holder, first remove the keyless chuck the same way the tool holder was removed. Then place the tool holder the same way the keyless chuck was placed making sure to turn the locking collar to the locking position.



Warning: Never use standard chucks in the hammer-drilling mode

Selecting the Operating Mode (Fig. B)

The tool can be used in the following operating modes:



Rotary drilling: for screw driving and for drilling into steel, wood and plastics



Hammer drilling: for concrete and masonry drilling operations. Bit rotation: non-working position used only to rotate a flat chisel into the desired position



Hammering only: for light chipping, chiselling and demolition applications. In this mode the tool can also be used as a lever to free a jammed drill bit.

1. To select the operating mode, press the mode selector button and rotate the mode selector switch (5) until it points to the symbol of the required mode.
2. Release the mode selector button and check that the mode selector switch is locked in place.



WARNING! Do not select the operating mode when the tool is running.

Proper Hand Position (Fig. A, Fig. E)




WARNING! To reduce the risk of serious personal injury, ALWAYS use proper hand position as shown.



WARNING! To reduce the risk of serious personal injury, ALWAYS hold securely in anticipation of a sudden reaction.

Proper hand position requires one hand on the side handle (9), with the other hand on the main handle (1).

Rotary drilling (Fig. B, Fig. C1/C2, Fig. D, Fig. G)


- ♦ For drilling in steel, wood and plastics, or for screw driving set the operating mode selector (5) to the  position.
- ♦ Fit the drill chuck assembly. Depending on your tool, follow either of the following instructions:
SHR264: Replace the SDS Plus tool holder (16) with the keyless chuck (17).
SHR243/SHR263: Fit the drill chuck assembly (12).
- ♦ Insert the appropriate bits. When driving slotted head screws

always use bits with a finder sleeve.

- ♦ For drilling in steel, wood and plastics, set the forward/reverse lever (4) to the forward position (Fig C1). When use for screw driver function, tighten screws set the forward/reverse lever (4) to the forward position (Fig C1) and loose screws set the forward/reverse lever (4) to the reverse position (Fig C2).

WARNING! Never use drill chucks in the hammer drilling mode.

Hammer drilling (Fig. B)


- ♦ For hammer drilling in masonry and concrete, set the operating mode selector (5) to the  position.
- ♦ The drill bit has to be placed accurately onto the drill hole position. After that, pull the switch for optimal effects. Make sure the tool is in the correct position to prevent the drill from deviating from the hole.
- ♦ When the drill hole is clogged with debris or fine powder, please don't exert any more pressure. Tool should be put in free-running state before removing part of the drill bit from the hole. If repeated a few times, the blockage in the hole would be cleared, and normal drilling can resume.

WARNING! When the drill bit hits cement or the steel rebar in the cement, the tool may recoil dangerously. Please hold the tool tightly in a balanced and stable position at all times to prevent it from recoiling dangerously.

Overload coupling device

If the drill bit is caught or hooked, the driving force transmitted to the drill shaft will be cut off. This would generate a strong recoil, so it would be necessary to hold the tool tightly with both hands to remain in a stable position.

Chipping and chiselling (FIG.B)

- ♦ Set the mode selector switch (5) to the "hammering only"  position.
- ♦ Insert the appropriate chisel and rotate it by hand to lock it into positions.
- ♦ Adjust the side handle (9) as required.
- ♦ Switch on the tool and start working.
- ♦ Always switch off the tool when work is finished and before unplugging.



WARNING! Do not use this tool to mix or pump easily combustible or explosive fluids (benzine, alcohol, etc.). Do not mix or stir inflammable liquids labelled accordingly.

Accessories

The performance of your tool depends on the accessory used.

Stanley accessories are engineered to high quality standards and designed to enhance the performance of your tool. By using these accessories you will get the very best from your tool.

MAINTENANCE

Your Stanley corded/cordless appliance/tool has been designed to operate over a long period of time with a minimum of maintenance. To ensure satisfactory operations, the tool must be maintained and cleaned regularly



WARNING: To reduce the risk of injury, turn unit off and disconnect machine from power source before installing and removing accessories, before adjusting or changing set-ups or when making repairs. Be sure the trigger switch is in the OFF position. An accidental start-up can cause injury.

- ◆ This machine is not user-serviceable. If problems occur contact an authorised repair agent.
- ◆ The tool will automatically switch off when the carbon brushes are worn.

WARNING! Before performing any maintenance on corded/cordless power tools:

- ◆ Switch off and unplug the appliance/tool.
- ◆ Or switch off and remove the battery from the appliance/ tool if the appliance/tool has a separate battery pack.
- ◆ Or run the battery down completely if it is integral and then switch off.
- ◆ Unplug the charger before cleaning it. Your charger does not require any maintenance apart from regular cleaning.
- ◆ Regularly clean the ventilation slots in your appliance/ tool/ charger using a soft brush or dry cloth.
- ◆ Regularly clean the motor housing using a damp cloth.
- ◆ Do not use any abrasive or solvent-based cleaner.
- ◆ Regularly open the chuck and tap it to remove any dust from the interior (when fitted).



Lubrication

Your power tool requires no additional lubrication. Accessories and attachments used must be regularly lubricated around the SDS Plus fitment.



Cleaning



WARNING! Blow dirt and dust out of the main housing with dry air as often as dirt is seen collecting in and around the air vents.

Wear approved eye protection and approved dust mask when performing this procedure.



WARNING! Never use solvents or other harsh chemicals for cleaning the nonmetallic parts of the tool. These chemicals may weaken the material of the parts. Use only mild soap and damp cloth to clean the tool. Never let any liquid get inside the tool, cleaning of gasoline or other chemicals, never immerse any part of the tool into liquid.

Optional Accessories



WARNING! Since accessories, other than those offered by Stanley, have not been tested with this product, use of such accessories with this tool could be hazardous. To reduce the risk of injury, only Stanley, recommended accessories should be used with this product.

Various types of SDS Plus drill bits and chisels are available as an option.

Consult your dealer for further information on the appropriate accessories.

Protecting The Environment

vtSeparate collection. This product must not be disposed of with normal household waste.

Should you find one day that your Stanley product needs replacement, or if it is of no further use to you, do not dispose of it with household waste. Please sort it out for separate recycling.

Separate collection of used products and packaging allows materials to be recycled and used again. Reuse of recycled materials helps prevent environmental pollution and reduces the demand for raw materials.

Some local governments may require the local or municipal waste disposal centers or retailers of new products to provide households with electronic product recycling services.

Notes

STANLEY's policy is one of continuous improvement to our products and as such, we reserve the right to change product specifications without prior notice. Standard equipment and accessories may vary by country. Product specifications may differ by country. Complete product range may not be available in all countries. Contact your local STANLEY dealers for range availability.

TECHNICAL DATA

ROTARY HAMMER		SHR243	SHR263	SHR264
Voltage	V	220-240	220-240	220-240
Frequency	Hz	50/60	50/60	50/60
Power input	W	780	800	800
No-load speed	min ⁻¹	0-1250	0-1150	0-1250
Impact rate	bpm	0-4670	0-4300	0-4670
Impact energy (NON EPTA)	J	3.1	3.4	3.4
Modes		3	3	3
Max drilling capacity	mm			
- Concrete		24	26	26
- Steel		13	13	13
- Wood		30	30	30
Weight	kg	2.6	2.6	2.7

設計用途

本 SHR243/SHR263/SHR264 SDS Plus 電鎚鑽專用於在混凝土、磚石、木材和鋼材、輕型鑿切、破碎應用中鑽孔，也用於硬合金鑽頭取芯鑽探或用於螺絲起子。本工具僅供專業用途。

安全說明

電動工具一般安全警告



警告！請閱讀所有安全警告及指示。不遵循這些警告及說明可能會導致觸電、火災及/或嚴重傷害。

請妥善保存所有警告及指示以備將來查閱。警告中的名詞「電動工具」是指電源驅動（插電）電動工具，或者電池驅動（充電）電動工具。

1. 工作場地安全

- 請保持工作場地清潔明亮。雜亂或黑暗的場地會引發事故。
- 請勿在易爆環境（例如存在易燃液體、氣體或粉塵的環境）中操作電動工具。電動工具產生的火花可能會引燃粉塵或煙霧。
- 操作電動工具時，請遠離兒童與旁觀者。分心會導致您疏於控制。

2. 電氣安全

- 電動工具插頭必須與插座相符。切勿以任何方式改裝插頭。需接地的電動工具不能使用任何配接器插頭。
- 使用未經改裝的插頭與相符的插座可降低觸電風險。避免人體接觸接地表面，如管道、散熱片、爐竈和冰箱。若您的身體接地，會提高觸電的風險。
- 請勿將電動工具暴露在雨中或潮濕環境中。水進入電動工具會提高觸電風險。
- 請勿濫用電線。切勿使用電線來搬運、拉動電動工具或拔出插頭。請讓電線遠離熱、油、銳邊或活動部件。受損或纏繞的電線會提高觸電風險。
- 在室外操作電動工具時，請使用適合室外使用的延長電纜。採用適合室外使用的電線可降低觸電危險。
- 若必須在潮濕環境中操作電動工具，請使用受漏電保護器（RCD）保護的電源供應器。使用 RCD 可降低觸電風險。註：「漏電保護器（RCD）」亦稱為「接地故障斷路器（GFCI）」或「接

地漏電斷路器（ELCB）」。

3. 人身安全

- 操作電動工具時，請保持警覺、留意所執行的操作並運用常識。請勿在疲倦或在受到毒品、酒精或藥品的影響時使用電動工具。操作電動工具時，一時的注意力分散可能會導致嚴重人身傷害。
- 請使用人身防護設備。始終佩戴護目裝置。防護設備（例如在適當條件下使用的防塵面具、防滑安全鞋、安全帽或聽力保護裝置）可減少人身傷害。
- 避免意外啟動。在連接至電源及/或電池組、抬起或搬運工具之前，請確保開關處於關閉位置。若搬運電動工具時將手指放在開關上，或者在電動工具開關開啟時將插頭插入電源插座，這兩種行為都會引發事故。
- 開啟電動工具之前，請卸下所有調整鑰匙或扳手。電動工具旋轉部件上遺留的扳手或鑰匙可能會導致人身傷害。
- 請勿過度伸張雙手。時刻注意腳下與身體的平衡。如此可在意外情況下更好地控制電動工具。
- 穿著適當。請勿穿著寬鬆衣服或佩戴飾品。讓頭髮、衣服及手套遠離活動部件。寬鬆衣服、佩飾或長髮可能會捲入活動部件中。
- 若為連接除塵與集塵設備而提供裝置，請確保妥善連接及正確使用。使用集塵設備可降低與粉塵有關的危險。

4. 電動工具的使用與維護

- 請勿超負荷使用電動工具。請根據您的應用使用正確的電動工具。若使用的電動工具正確無誤，該工具能以設計額定值更有效、更安全地執行工作。
- 若開關無法開啟或關閉本電動工具，請勿使用。若開關無法控制電動工具，則電動工具存在危險，必須予以維修。
- 在執行任何調整、更換配件或儲存工具之前，必須從電源上拔掉插頭及/或卸下電池組。此類防護性安全措施可降低電動工具意外啟動的風險。
- 請將閒置的電動工具存放在兒童無法接觸的地方，請勿讓不熟悉電動工具或這些指示的人員操作電動工具。未經訓練的使用者操作電動工具會發生危險。
- 維護電動工具。檢查活動部件是否對準或卡住、破損情況以及是否存在影響電動工具運行的其他情況。若電動工具有損傷，請先維修，

後使用。/ 許多事故都因電動工具維護不善所導致。

- f. 請保持刀具鋒利清潔。妥善維護、刀刃鋒利的刀具卡住的可能性更低，更易於控制。
 - g. 遵循使用指示以及工作條件和所要執行的工作使用電動工具、配件和工具刀頭等。若使用電動工具執行與設計用途不相符的操作，會導致危險。
5. 維修
- a. 電動工具之修理 僅可由認證的技術人員執行。請勿交由非百得認證服務中心的認證技術人員進行修理、維護、調整。若產品經由非百得認證的維修工程師拆解、組裝、調整，恕無法適用百得一年家用保修條款 為充份發揮其功能，修理、維護、調整請務必使用原廠零件。

電鋸安全警告



警告！電鋸之附加安全警告

- ◆ 請佩戴聽力保護器。噪音會使聽力受損。
- ◆ 請使用工具隨附的輔助手柄。工具失控會導致人身傷害。
- ◆ 若在執行操作時切割配件可能會接觸隱藏的電線或它本身的電線，則只能從絕緣手柄表面握住電動工具。若切割配件接觸到「帶電」導線，電動工具金屬部件表面就會「帶電」，從而導致操作人員觸電。
- ◆ 請勿在旋轉模式使用鑿子配件。配件將卡在材料中並旋轉電鑽。
- ◆ 使用夾具或採取其他可行的方法 將工件固定、支撐到穩定的平台上。手持工件或用身體抵住工件會導致工件不穩定，可能會導致失去控制。
- ◆ 在牆上、地板和天花板上鑽孔之前，請檢查電線和鋼管位置。
- ◆ 不要在鑽孔後立刻碰觸鑽頭尖端以免燙傷。
- ◆ 設計用途已在本使用說明手冊中載明。若使用的配件或附件，或使用本工具執行的操作與本使用說明手冊中的建議不相符，可能會招致人身傷害及 / 或財損失的風險。

注意：主電壓：連接電源時，務必驗證電源電壓是否與電動工具的電壓相符。若電源超出電動工具上標示的電壓，使用者可能會發生嚴重傷害事故，並且導致工具損壞。相反，如果電源電壓低於工具

所需的電壓，可能會因此損壞電機。因此，若無法驗證電壓，切勿將插頭插進電源中。

剩餘風險

使用本工具時，可能會出現隨附安全警告中所不包括的其他殘餘風險。濫用、長時間使用等也會導致這些風險。即使應用有關的安全規定並採用安全設備，仍然還有一些無法避免的風險。危險包括：

- ◆ 接觸旋轉 / 活動部件引起的傷害。
- ◆ 更換任何部件、刀片或配件時引起的傷害。
- ◆ 長時間使用工具引起的傷害。長時間使用任何工具時，請確保定期休息。
- ◆ 聽力受損。
- ◆ 吸入使用工具時產生的塵埃引起的健康危害。（譬如：在木材上使用時，尤其是樺木、山毛櫸和中密度纖維板 (MDF)）

其他安全資訊

- ◆ 生理、感覺或心理機能不健全的人員（包括兒童）或缺乏經驗及知識的人員，除非由負責其安全的人員提供有關使用此器具的監督或指示，否則不得使用本工具。
- ◆ 應對兒童進行監督 以確保其不會玩耍本器具。

工具上的標籤

本工具上具有以下圖示與日期代碼

	警告！ 為了降低受傷的風險，使用者在使用前必須仔細閱讀使用手冊。		
	請佩戴聽力保護器		
	請佩戴安全防護眼鏡或護目鏡。		
V	伏特	==	直流電
A	安培	n_0	空載轉速
Hz	赫茲		II 級結構

W	瓦特		接地終端
min	分鐘		安全警告符號
~	交流電	/ 分鐘	每分鐘旋轉或往復次數

纜無纏繞。

電源線橫截面積 (mm ²)	電源線額定電流 (安培)
0.75	6
1.	10
1.50	15
2.50	20
4.00	25

日期代碼的位置 (圖 A)

日期代碼 (10) 亦包括製造年份，已印刷在工具外殼上。

範例：

2017 XX JN

製造年份

套裝內容

本套裝包括：

- 1 個輕型電鋸鑽
- 1 個側手柄
- 1 個深度尺
- 1 個工具箱
- 1 電鑽夾頭 (選配)
- 1 钻头 (選配)
- 1 本使用手冊
- 1 一個集塵罩
- 1 快換夾頭 (SHR264)

- ◆ 檢查工具、部件或配件有否在運送途中損壞。
- ◆ 操作前，請抽空徹底地閱讀和掌握本手冊的內容。

電氣安全



本工具採用雙重絕緣，因此無需接地線。請務必檢查電源電壓是否與銘牌一致。



若電源線受損，必須由製造商或授權的 Stanley Black and Decker 服務中心進行更換，以避免發生危險。

使用延長電纜

若需要使用延長電源線，請使用適合本工具電源輸入規格且經核准的延長電源線。導線的最小橫截面積為 1.5 平方毫米。卷起電源線時請確保線

電壓	安培	電源線額定電流 (安培)					
115	0 - 2-	6	6	6	6	6	10
	2.1 - 3.4	6	6	6	6	15	15
	3.5 - 5.0	6	6	10	15	20	20
	5.1 - 7.0	10	10	15	20	20	25
230	7.1 - 12.0	15	15	20	25	25	-
	12.1 - 20.0	20	20	25	-	-	-
	0 - 2.0	6	6	6	6	6	6
	2.1 - 3.4	6	6	6	6	6	6
	3.5 - 5.0	6	6	6	6	10	15
	5.1 - 7.0	10	10	10	10	15	15
	7.1 - 12.0	15	15	15	15	20	20
	12.1 - 20.0	20	20	20	20	25	-

功能部件 (圖 A, 圖 D, 圖 F, 圖 G)

本工具包括以下部分或全部功能部件

1. 主手柄
2. 鎖定按鈕
3. 變速開關
4. 正 / 反轉桿
5. 模式選擇器
6. 套管
7. 工具夾頭
8. 深度尺
9. 側手柄
10. 日期代碼
11. SDS 鑽頭

12. 電鑽夾頭
13. 鑽頭
14. 集塵罩
15. 鎖定環
16. SDS Plus 工具夾持器
17. 快換夾頭

裝配

警告！裝配之前，請確定已關閉工具電源並拔出插頭。

安裝側手柄（圖 A）

警告！為確保您的安全，請在操作本工具時使用側手柄（9）。

可調整側手柄，以適合右手操作與左手操作使用者的需求。

- ◆ 逆時針轉動握柄直到您可將側手柄滑動至工具前面為止。
- ◆ 將側手柄旋轉至所需位置。
- ◆ 順時針轉動手柄，將側手柄轉緊。

警告！使用工具時，請切記正確地安裝側手柄。

安裝配件（圖 A）

- ◆ 清潔配件的軸（11）並塗上潤滑油。
- ◆ 將配件桿插入工具的夾頭（7）中。
- ◆ 將配件向下推，輕輕旋轉直到安裝到槽內。
- ◆ 拉一拉配件檢查是否已正確地鎖住。敲擊與鑽孔功能需要配件能在工具夾頭中鎖定時軸向移動數公分。
- ◆ 若要卸下配件，將套管（6）向後拉並將配件從工具夾頭中拉出。

安裝集塵器（圖 F）

- ◆ 將配件桿（11）插入集塵器（14），然後將配件桿（11）和集塵器一起插入工具夾頭（7）。
- ◆ 如圖 F 所示向上使用裝置以使用集塵器。

使用

警告！更換配件時請務必佩帶手套。在操作期間，本工具與配件的裸金屬部件可能會非常燙。

請在正常負載下使用本工具。請勿使它過載。請勿濫用本工具，請參閱說明手冊以正確使用本工具。

警告！在牆上、地板和天花板上鑽孔之前，請檢查電線和鋼管位置。

設定鑽孔深度（圖 A）

深度尺是方便的功能部件，可確保鑽孔深度的一致性。鬆開側手柄，根據所需深度調整深度計，然後擰緊側手柄。

- ◆ 透過逆時針轉動手柄，將側手柄（9）轉鬆。
- ◆ 將深度尺（8）設定到所需位置。最大鑽孔深度相等於鑽頭尖端和深度尺前端之間的距離。
- ◆ 順時針轉動手柄，將側手柄轉緊。

開啟與關閉（圖 A）

警告！插入插頭前，請確認開關是否可以自由按下和釋放，釋放後是否能回復原位。請在開啟前檢查開關鎖定位置，並確保在將插頭插入電源之前，開關處於釋放狀態。

- ◆ 若要開啟工具，請按下變速開關（3）。工具轉速取決於您按下開關的程度。
- ◆ 一般原則是，使用大直徑鑽頭時會採用低速，使用小直徑鑽頭時則會採用高速。
- ◆ 若要執行持續操作，請按下鎖定按鈕（2）並釋放變速開關。
- ◆ 若要關閉工具，請鬆開變速開關。若要在持續操作時關閉工具電源，請再次按下並鬆開變速開關。

警告！使用者在離開時，或在抬起、運輸、操縱及放置工具時，請確保已關閉工具電源並拔出插頭。

安裝電鑽夾頭（圖 D）（SHR243, SHR263） 選購配件

- ◆ 根據配件安裝說明，將電鑽夾頭（12）插入工具夾頭（7）。
- ◆ 轉動電鑽夾頭，以便在電鑽夾具的前端鬆開夾具，將配件桿（13）插入夾具，然後反方向轉動夾頭。
- ◆ 您還可使用電鑽夾頭匙來擰緊夾具。



警告：請勿在錘鑽模式使用標準夾頭

將 SDS Plus 工具夾持器更換為快換夾頭（圖 G）（SHR264）

- ◆ 將鎖定環 (15) 旋轉至解鎖位置並將 SDS Plus 工具夾持器 (16) 拉出。
- ◆ 將快換夾頭 (17) 推向主軸並將鎖定環 (15) 旋轉至鎖定位置。若要將快換夾頭更換為 SDS Plus 工具夾持器，請先以卸下工具夾持器同樣的方式卸下快換夾頭。然後依放置快換夾頭的方式放置工具夾持器，並確保將鎖定環旋轉到鎖定位置。



警告：請勿在錘鑽模式使用標準夾頭

選擇操作模式 (圖 B)

本工具可用於以下操作模式：



鑽孔：用於螺旋以及在鋼材、木材和塑膠上鑽孔。



錘鑽：用於在混凝土和磚石上鑽孔作業。
鑽頭旋轉：非工作位置，僅用於將平鑿旋轉到所需的位置。



僅敲擊：用於輕型鑿切、鑿打及破碎應用。在此模式下，工具還可用作撬桿，以便於取出卡住的鑽頭。

1. 若要選擇操作模式，請按下模式選擇器按鈕，並旋轉模式選擇器開關 (5) 直到其指向所需的模式符號為止。
2. 鬆開模式選擇器按鈕，並檢查模式選擇器開關是否鎖定到位。



警告！ 工具運行時請勿選擇操作模式。

手的正確位置 (圖 A, 圖 E)




警告！ 為了減低造成嚴重人身傷害的風險，務必如圖示那樣正確放置雙手。



警告！ 為了減低造成嚴重人身傷害的風險，預期有突然反應時務必握緊。

正確的雙手放置位置是一隻手放在側手柄 (9) 上，另一隻手握住主手柄 (1)。

旋轉鑽孔 (圖 B、圖 C1/C2、圖 D、圖 G)

- ◆ 若要在鋼材、木材與塑膠上鑽孔，或執行螺絲鬆旋操作，請將操作模式選擇器 (5) 設定到其應處  位置。
- ◆ 請根據工具的型號執行以下任一指示：
SHR264：將 SDS Plus 工具夾持器 (16) 更換為快換


夾頭 (17)。

SHR243/SHR263：安裝電鑽夾頭組件 (12)。

- ◆ 插入相應的鑽頭。旋轉平頭螺絲時務必使用安裝了探測套管的鑽頭。
- ◆ 若要在鋼材、木材及塑膠上鑽孔，請將正 / 反轉桿 (4) 設為正向位置 (圖 C1)。若使用螺絲起子功能，擰緊螺絲會將正 / 反轉桿 (4) 設為正向位置 (圖 C1)，擰鬆螺絲會將正 / 反轉桿 (4) 設為反向位置 (圖 C2)。

警告！ 切勿在敲擊鑽孔模式中使用電鑽夾頭。

錘鑽 (圖 B)


- ◆ 若要在磚石與混凝土上進行敲擊鑽孔，請將操作模式選擇器 (5) 設定到  位置。
- ◆ 鑽頭必須對準鑽孔的位置。對準後再扣動開關可得到最佳效果。確保工具放置在正確的位置，以防止電鎚鑽偏離鑽孔。
- ◆ 當鑽孔堵塞了碎屑或粉末時，請勿再施加任何壓力。從孔中移下鑽頭部分之前，工具應處於自由運轉狀態。若重複執行數次，可以清除孔中的堵塞物，然後恢復正常的鑽孔。

警告！ 若鑽頭觸到水泥或水泥中的鋼筋，工具可能發生危險的反衝。請隨時保持平衡、穩固的站姿，並緊緊握持工具以防止危險的反衝。

重載耦合裝置

若鑽頭卡住或鉤住，將會截斷傳輸至鑽頭軸的驅動力。這可能會產生強烈反衝，因此必須雙手緊緊握持工具以保持穩固的姿勢。

鑿切與鑿打 (圖 B)

- ◆ 將模式選擇器 (5) 設定為「錘擊」 位置。
- ◆ 插入相應的鑿子，然後手動旋轉直到鑿子鎖定到位置。
- ◆ 按需要調整側手柄 (9)。
- ◆ 開啟工具以開始操作。
- ◆ 工作完成後以及拔出插頭前，請務必關閉工具。



警告！ 請勿使用本工具來混合或泵打易燃或易爆液體 (揮發油、酒精等等)。請勿使用本工具來混合或攪拌標有易燃標記的液體。

配件

本工具的效能取決於所使用的配件。Stanley 配件依據高品質標準進行規劃，專為增強本工具的效能而設計。透過使用這些配件，工具將提供極佳效能。

Stanley 插電式 / 充電式裝置 / 工具採用卓越的設計，能夠長時間使用，並且只需最少的維護。為了獲得滿意的操作效果，必須定期對工具進行維護和清潔。



警告：若要降低傷害危險，請在安裝和移除配件前、調整或變更設定前或進行修理時關閉工具並斷開電源。請確保觸發開關處於關閉 (OFF) 位置。意外啟動工具可能會造成傷害。

- ◆ 本機器不是使用者可檢修的裝置。如果發生問題，請聯絡授權維修機構。
- ◆ 當碳刷磨損時，工具將自動關閉。

警告！ 在插電 / 充電電動工具上執行任何維護工作之前：

- ◆ 關閉電源並拔下器具 / 工具的插頭。
- ◆ 或者，若器具 / 工具使用獨立電池組，請關閉電源並將電池從器具 / 工具中卸下。
- ◆ 又或者，若電池是內建電池，請將電池完全放電，然後再關閉電源。
- ◆ 清潔之前請拔下充電器的插頭。您的充電器除了定期清潔之外，並不需要執行任何維護操作。
- ◆ 定期使用軟刷或乾布清潔器具 / 工具 / 充電器內的通風槽。
- ◆ 請定期使用濕布清潔電動機外殼。
- ◆ 請勿使用任何研磨性或基於溶劑的清潔劑。
- ◆ 請定期打開夾頭並輕敲以清除內部的任何塵埃（如安裝）。



潤滑

本電動工具無需額外潤滑。必須定期潤滑 SDS Plus 裝置的配件和附件。



清潔



警告！ 一旦通風口及其周圍積聚可見的粉塵，請立即使用乾燥的壓縮空氣吹掉主機外殼內的粉塵和灰塵。執行此步驟時，請佩戴經認可的護目裝備和防塵面罩。



警告！ 切勿使用溶劑或其他刺激性化學品來清潔工具的非金屬部件。這些化學品可能會削弱部件的材料。請僅使用中性肥皂與濕布來清潔工具。切勿讓任何液體進入工具，請勿使用汽油或其他化學品進行清潔，切勿將工具的任何部分浸入液體中。

選購配件



警告！ 由於非 Stanley 所提供的配件未在本產品上進行過使用測試，在本產品上使用這些配件可能會導致危險。為降低傷害風險，在本產品上只應使用 Stanley 所推薦的配件。您可選購不同種類的 SDS Plus 鑽頭以及鑿子。如需進一步瞭解適用配件的相關資訊，請洽詢代理商。

保護環境



分開收集。本產品必須與一般家庭廢物分開處置。

若您發現本 Stanley 產品需要更換或再無用處，請勿將其與家庭廢物一併處置。請將其分類以進行單獨回收。



透過分開收集用過的产品與包裝，可以實現材料的循環再生利用。重新使用回收的材料有助於防止環境污染，並降低對原材料的需求。某些當地政府可能要求當地或市政廢物回收中心，或新產品的零售商提供電子家用產品的回收服務。

備註

STANLEY 的政策是持續改善我們的產品，因此，我們保留隨時變更產品規格的權利，恕不另行通知。標準裝置和配件可能會根據不同的國家 / 地區而有所不同。

產品規格可能會根據不同的國家而有所不同。並非所有的國家 / 地區都將提供完整的產品系列。如需瞭解產品系列的供應情況，請聯絡您當地的 STANLEY 代理商。

技術資料

電鏈鑽		SHR243	SHR263	SHR264
電壓	V	110	110	110
頻率	Hz	50/60	50/60	50/60
輸入功率	W	780	800	800
空載轉速	min ⁻¹	0-1250	0-1150	0-1250
衝擊率	bpm	0-4670	0-4300	0-4670
衝擊能量 (NON EPTA)	J	3.1	3.4	3.4
模式		3	3	3
最大鑽孔能力	mm			
-混凝土		24	26	26
-鋼材		13	13	13
-木材		30	30	30
重量	kg	2.6	2.6	2.7

進口商：新加坡商百得電動工具（股）公司台灣分公司

地址：台北市士林區德行西路 33 號 2 樓

電話：02-28341741

總經銷商：永安實業股份有限公司

地址：新北市三重區新北大道二段 137 號

電話：02-29994633

設備名稱：電鏈鑽		型號（型式）：SHR263, SHR264				
Equipment name		Type designation (Type)				
單元 U nit	限用物質及其化學符號 Restricted substances and its chemical symbols					
	鉛Lead (Pb)	汞Mercury (Hg)	鎘Cadmium (Cd)	六價鉻Hexavalent chromium (Cr ⁺⁶)	多溴聯苯 Polybrominated biphenyls (PBB)	多溴二苯醚 Polybrominated diphenyl ethers (PBDE)
外殼	○	○	○	○	○	○
馬達	超出0.1 wt %	○	○	○	○	○
電源線	○	○	○	○	○	○
電源開關	超出0.1 wt %	○	○	○	○	○
內部配線	○	○	○	○	○	○
電源板	○	○	○	○	○	○
<p>備考1. “超出0.1 wt %”及“超出0.01 wt %”係指限用物質之百分比含量超出百分比含量基準值。 Note 1: “Exceeding 0.1 wt %” and “exceeding 0.01 wt %” indicate that the percentage content of the restricted substance exceeds the reference percentage value of presence condition.</p> <p>備考2. “○”係指該項限用物質之百分比含量未超出百分比含量基準值。 Note 2: “○” indicates that the percentage content of the restricted substance does not exceed the percentage of reference value of presence.</p> <p>備考3. “-”係指該項限用物質為排除項目。 Note 3: The “-” indicates that the restricted substance corresponds to the exemption.</p>						

용도

스탠리 SHR243/SHR263/SHR264 SDS 플러스 로터리 햄머는 콘크리트, 벽돌, 목재 및 철재에서 구멍을 뚫고, 카바이드 팁이 달린 코어 드릴 작업 또는 드라이버로 사용하거나 가벼운 치핑, 치즐링 및 폭파용으로 설계되었습니다. 본 공구는 전문가용입니다.

안전 지침

전동 공구에 관한 일반 안전 경고



경고! 안전 경고와 지시 사항을 모두 읽으십시오. 경고와 지시 사항을 준수하지 않으면 감전, 화재 및/또는 심각한 부상을 초래할 수 있습니다.

항후 참고할 수 있도록 모든 경고 및 지시 사항을 보관해두십시오. 경고에서 사용된 “전동 공구”

라는 용어는 주 공급 전원에 의해 전기가 공급되는 (유선) 전동 공구 또는 충전식 (무선) 전동 공구를 의미합니다.

1. 작업장 안전

- 작업 영역을 청결하고 밝게 유지하십시오.** 혼잡하거나 어두운 작업장에서는 사고가 발생하기 쉽습니다.
- 가연성 액체, 가스 또는 먼지 등이 있는 폭발성 대기에서 전동 공구를 사용하지 마십시오.** 전동 공구에서 먼지나 가스를 발화시킬 수 있는 불꽃이 될 수 있습니다.
- 전동 공구로 작업하는 동안에는 어린이와 주변 사람들이 작업 영역에 가까이 들어오지 못하도록 하십시오.** 주변이 산만해져 통제력을 잃을 수 있습니다.

2. 전기 안전

- 전동 공구의 플러그는 콘센트와 형식이 일치해야 합니다.** 플러그를 어떤 방식으로든 절대 개조하지 마십시오. 접지된 (지면 접지) 전동 공구에 어떤 어댑터 플러그도 사용하지 마십시오. 개조되지 않은 플러그 및 형식이 일치하는 콘센트를 사용하면 감전 위험이 줄어듭니다.
- 파이프, 라디에이터, 렌지 및 냉장고 등과 같이 접지된 표면에 신체가 접촉하지 않도록 하십시오.** 신체가 접지되어 있으면 감전 위험이 높아집니다.
- 전동 공구를 비 또는 습한 환경에 노출하지 않도록 주의하십시오.** 전동 공구에 물이 들어가면

감전 위험이 높아집니다.

- 코드를 함부로 다루지 마십시오. 코드를 사용하여 전동 공구를 운반하거나 잡아당기거나 플러그를 뽑지 마십시오.** 열, 오일, 날카로운 모서리 또는 움직이는 부품에서 멀리 떨어진 장소에 코드를 보관하십시오. 코드가 손상되거나 얽혀 있으면 감전 위험이 높아집니다.
- 전동 공구를 실외에서 사용할 때는 실외 사용에 적합한 연장 코드를 사용하십시오.** 실외 사용에 적합한 코드를 사용하면 감전 위험이 줄어듭니다.
- 어쩔 수 없이 습한 장소에서 전동 공구를 사용해야 하는 경우에는 누전 차단기 (RCD) 로 보호된 전원을 공급하십시오.** RCD를 사용하면 감전 위험이 줄어듭니다. 참고: “RCD (residual current device)” 라는 용어는 “GFCI (ground fault circuit interrupter)” 또는 “ELCB (earth leakage circuit breaker)” 용어로 대체할 수 있습니다.

3. 신체 안전 사항

- 전동 공구로 작업할 때는 방심하지 말고 작업에 주의하면서 상식에 따르십시오.** 피곤한 상태이거나 약물, 술, 치료제를 복용한 상태에서는 전동 공구를 사용하지 마십시오. 전동 공구를 사용하는 중에 주의력을 잃어 순간적으로 부상을 당할 수 있습니다.
- 신체 보호 장비를 착용하십시오.** 항상 보안경을 착용하십시오. 적절한 상황에서 방진 마스크, 미끄럼 방지 안전화, 안전모 또는 청력 보호 기구 등의 보호 장비를 사용하면 신체 부상 위험이 줄어듭니다.
- 갑작스러운 장비 가동을 방지하십시오.** 전원 및/또는 배터리 팩에 연결한 상태로 공구를 선택 또는 운반할 때는 사전에 스위치가 꺼짐 위치에 있는지 반드시 확인하십시오. 스위치가 켜짐 위치에 있는 상태에서 스위치에 손가락이 닿은 상태로 전동 공구를 운반하거나 전동 공구에 전원을 공급하면 사고가 발생합니다.
- 전동 공구를 켜기 전에 모든 조정 키 또는 렌치를 제거하십시오.** 전동 공구의 회전 부품에 렌치나 키가 부착되어 있으면 부상을 당할 수 있습니다.
- 무리하게 팔을 뻗지 마십시오.** 항상 올바른 자세로 서서 균형을 유지하십시오. 그러면 예기치 않은 상황에서 전동 공구 제어 능력이 향상됩니다.
- 적절한 의복을 착용하십시오.** 헐렁한 옷이나 장신구를 착용하지 마십시오. 머리카락, 옷 및 장갑이 움직이는 부품에 닿지 않도록 유의하십시오. 헐렁한 옷, 장신구 또는 긴 머리카락이 부품

에 질 수 있습니다.

- g. **먼지 배출 및 집진 시설 연결을 위한 장치가 제공된 경우, 이들 장치가 연결되어 적절히 사용되고 있는지 반드시 확인하십시오.** 집진 장치를 사용하면 먼지와 관련된 위험을 줄일 수 있습니다.

4. 전동 공구 사용 및 관리

- a. **전동 공구에 무리한 힘을 가하지 마십시오. 해당 용도에 맞는 올바른 전동 공구를 사용하십시오.** 올바른 전동 공구를 사용해야 설계된 속도로 작업을 더욱 안전하고 정확하게 수행할 수 있습니다.
- b. **스위치 켜짐/꺼짐이 되지 않는 전동 공구는 사용하지 마십시오.** 스위치로 제어되지 않는 전동 공구는 위험하므로 수리해야 합니다.
- c. **전동 공구를 조정하거나 액세서리를 변경하거나 보관하기 전에 전원 및/또는 배터리 팩에서 플러그를 빼십시오.** 이러한 예방적 안전 조치를 따라야 전동 공구가 갑자기 작동할 위험이 줄어듭니다.
- d. **사용하지 않는 전동 공구는 어린이의 손이 닿지 않는 곳에 보관하고, 전동 공구나 본 지시 사항에 익숙하지 않은 사람이 전동 공구를 절대 사용하지 못하게 하십시오.** 전동 공구는 훈련을 받지 않은 사용자가 다루면 위험합니다.
- e. **전동 공구 유지 보수, 움직이는 부품의 잘못된 정렬이나 바인딩, 부품 파손 및 기타 전동 공구의 작동에 영향을 미칠 수 있는 기타 모든 상태를 확인하십시오.** 손상된 부분이 있는 경우 사용하기 전에 전동 공구를 수리하십시오. 많은 사고는 전동 공구를 제대로 유지 보수하지 않아 발생합니다.
- f. **공구를 깨끗한 상태로 유지하십시오.** 절삭 가장 자리를 예리하게 잘 유지하면 절삭기를 사용할 때 바인딩이 적고 다루기가 용이합니다.
- g. **작업 환경과 수행할 작업을 고려하여, 본 지시 사항에 따라 전동 공구, 액세서리 및 톨 비트 등을 사용하십시오.** 본 사용 설명서의 내용과 다른 용도로 전동 공구를 사용하면 위험한 상황이 발생할 수 있습니다.

5. 정비

- a. **자격을 갖춘 기술자가 동일 교체 부품을 사용하여 정비 작업을 수행해야 합니다.** 그래야 전동 공구의 안전이 보장됩니다.

로타리 햄머 안전 경고



경고! 햄머에 대한 추가 안전 경고

- ◆ 귀 보호 장구를 착용하십시오. 소음에 노출되면

청력이 손상될 수 있습니다.

- ◆ 보조 핸들 (공구와 함께 제공된 경우) 을 사용하십시오. 제어력을 잃으면 신체 부상을 당할 수 있습니다.
- ◆ 절삭 액세서리가 숨겨진 배선 또는 자체 코드에 접촉할 수 있는 작업을 수행할 때는 절연된 손잡이 표면만 닿도록 하여 전동 공구를 잡으십시오. “전류가 흐르는” 전선에 접촉된 절삭 액세서리는 전동 공구의 노출된 금속 부분을 “전류가 흐르는” 상태로 만들어 작업자를 감전시킬 수 있습니다.
- ◆ 치질 액세서리를 절대 회전 모드로 사용하지 마십시오. 액세서리가 작업물에 끼어 드릴을 회전시킵니다.
- ◆ 클램프 또는 다른 적절한 방식을 이용하여 안정된 작업대에 작업 공구들을 고정 및 지지하십시오. 작업물을 손으로 잡거나 몸으로 지탱하는 행동은 불안정하여 제어력을 잃을 수 있습니다.
- ◆ 벽, 바닥 또는 천장에 드릴 작업을 하기 전에 배선 및 파이프의 위치를 확인하십시오.
- ◆ 데지 않으려면 드릴 작업 후에 드릴 비트의 끝을 만지지 마십시오.
- ◆ 본 사용 설명서에 제품의 용도가 설명되어 있습니다. 본 사용 설명서에서 권장하는 방식 이외의 다른 방식으로 본 공구를 조작하거나 액세서리 또는 부착물을 사용하는 경우 신체 부상의 위험이 있거나 재산상의 손해가 발생할 수 있습니다.

참고: 전원 전압: 본체에 연결할 때 전원의 전압이 전동 공구의 전압과 일치하는지 확인해야 합니다. 전원 전압이 전동 공구에 표시된 전압을 초과하는 경우, 사용자가 사고로 심각하게 부상당할 수 있고 공구가 손상될 수 있습니다. 그와 반대로 전원 전압이 공구에서 필요한 전압보다 낮은 경우, 모터가 손상될 수 있습니다.

이와 같이 전압 확인이 가능하지 않은 경우, 전원 장치에 플러그를 꽂지 않아야 합니다.

기타 발생 가능한 위험

공구를 사용할 때 동봉된 안전 경고에 포함되어 있지 않은 기타 발생 가능한 위험들이 발생할 수 있습니다. 이러한 위험은 오용, 장시간 사용 등으로 인해 발생할 수 있습니다. 관련된 안전 규정을 준수하고 안전 장치를 사용한다고 해도 특정한 위험은 피할 수 없습니다. 이러한 위험은 다음과 같습니다.

- ◆ 회전 부품이나 작동 부품을 만져 발생하는 부상.
- ◆ 부품, 톨날 또는 액세서리 변경으로 인한 부상.
- ◆ 장시간에 걸친 공구 사용으로 인한 부상. 어떤

공구이든 장시간에 걸쳐 사용할 때는 반드시 정기적인 휴식을 취하십시오.

- ◆ 청력 손상.
- ◆ 공구 사용 중에 발생하는 먼지를 호흡하여 유발되는 건강 위해성 (예: 목재, 특히 오크, 너도밤 나무 및 MDF 가공 작업).

데이터 코드 위치 (그림 A)

날짜 코드 (10)에는 제조년도도 포함되어 케이스에 인쇄되어 있습니다.

예:

2017 XX JN

제조년도

다른 사람들의 안전

- ◆ 이 제품은 신체, 지각 또는 정신 능력이 낮거나 경험 및 지식이 부족한 사람 (어린이 포함)이 사용하도록 설계되지 않았습니다. 이러한 사람이 사용할 때는 안전 책임자의 감독 또는 제품 사용과 관련된 지시 사항이 필요합니다.
- ◆ 어린이가 본 제품을 가지고 놀지 못하도록 항상 주시해야 합니다.

포장 내용물

포장에는 다음 내용물이 들어 있습니다.

고성능 로타리 햄머드릴 1개

1 사이드 핸들

1 깊이조절 가이드

1 공구박스

1 드릴 척(선택)

1 비트(선택)

1 사용 설명서

1 집진기

1 키리스 척 (SHR264)

- ◆ 운반 중에 발생할 수 있는 공구, 부품 또는 액세서리의 손상 여부를 확인하십시오.

- ◆ 작동 전에 시간을 내어 본 사용 설명서를 읽고 숙지하십시오.

공구 라벨

공구에는 날짜 코드와 함께 다음과 같은 기호가 표시되어 있습니다.

	경고! 부상 위험을 줄이려면 사용자는 사용 전에 사용 설명서를 주의 깊게 읽어야 합니다.		
	귀 보호 장구를 착용하십시오.		
	항상 보호 안경 또는 고글을 착용하십시오.		
V	Volts		Direcet urrent
A	Amperes	n_0	No-Load Speed
Hz	Hertz		Class II Construction
W	Watts		Earthing Terminal
min	minutes		Safety Alert Symbol
	Alter-nating Current	/min.	Revolutions or Reciprocation per minute

전기 안전



이 공구는 이중으로 절연되어 있으므로 접지선이 필요 없습니다. 전원이 전동기 라벨에 기재된 전압과 일치하는지 확인하십시오.



전원 코드가 손상된 경우 사고가 발생하지 않도록 제조업체 또는 공인 스탠리 서비스 센터에서 교체해야 합니다.

연장 케이블 이용

연장 케이블을 사용해야 할 경우 이 공구의 소비전력 사양에 맞는 승인된 연장 케이블을 사용하십시오. 도선의 최소 횡단면은 1.5 sq. mm입니다. 케이블은 감아 올리기 전에 풀어야 합니다.

케이블 단면적 (mm ²)	케이블 정격 전류 (암페어)
0.75	6
1.0 0	10

1.50	15
2.50	20
4.00	25

케이블 길이 (m)						
	7.5	15	25	30	45	60

전압	암페어	케이블 정격 전류 (암페어)					
115	0 - 2.0	6	6	6	6	6	10
	2.1 - 3.4	6	6	6	6	15	15
	3.5 - 5.0	6	6	10	15	20	20
	5.1 - 7.0	10	10	15	20	20	25
	7.1 - 12.0	15	15	20	25	25	-
230	12.1 - 20.0	20	20	25	-	-	-
	0 - 2.0	6	6	6	6	6	6
	2.1 - 3.4	6	6	6	6	6	6
	3.5 - 5.0	6	6	6	6	10	15
	5.1 - 7.0	10	10	10	10	15	15
7.1 - 12.0	15	15	15	15	20	20	
12.1 - 20.0	20	20	20	20	25	-	

각부 명칭 (그림 A, 그림 D, 그림 F, 그림 G)

본 청소기에는 다음 기능들 중 일부 또는 전부가 포함되어 있습니다.

1. 주 핸들
2. 잠금 버튼
3. 가변 속도 스위치
4. 전진/후진 레버
5. 모드 전환레버
6. 슬리브
7. 척
8. 깊이조절 가이드
9. 사이드 핸들
10. 날짜 코드
11. SDS 비트
12. 드릴 척
13. 드릴 비트
14. 집진기
15. 잠금 칼라
16. SDS Plus 공구 홀더

17. 키리스 척

조립

경고! 조립하기 전에 공구 스위치가 꺼져 있고 플러그를 뽑았는지 반드시 확인하십시오.

사이드 핸들 장착 (그림 A)

경고! 공구를 사용할 때는 안전을 위해 사이드 핸들(9)을 사용하십시오.

사이드 핸들은 오른손 및 왼손 사용자 모두에 맞게 장착할 수 있습니다.

- ◆ 사이드 핸들을 공구 앞으로 밀 수 있을 때까지 그림을 시계 반대 방향으로 돌립니다.
- ◆ 원하는 위치로 사이드 핸들을 돌립니다.
- ◆ 그림을 시계 방향으로 돌려서 사이드 핸들을 조입니다.

경고! 공구를 사용할 때는 사이드 핸들을 제대로 설치하십시오.

액세서리 장착 (그림 A)

- ◆ 액세서리의 샹크 (11) 를 닦고 그리스를 바릅니다.
- ◆ 액세서리 대를 척 (7) 에 끼웁니다.
- ◆ 액세서리 아래를 밀어 슬롯에 맞을 때까지 약간 돌립니다.
- ◆ 액세서리를 잡아 당겨 제대로 잠겼는지 확인하십시오. 햄머 및 드릴 기능을 사용하려면 공구 클램프에 잠겨 있을 때 액세서리를 축 방향으로 몇 센티미터 이동할 수 있어야 합니다.
- ◆ 액세서리를 분리하려면, 슬리브 (6) 를 뒤로 당겨서 공구 클램프에서 액세서리를 빼 냅니다.

집진 장치 장착 (그림 F)

- ◆ 액세서리 바 (11) 를 집진 장치 (14) 에 삽입한 다음 집진 장치가 있는 액세서리 바 (11) 를 공구 클램프 (7) 에 삽입합니다 .
- ◆ 그림 F 와 같이 기기를 위쪽에서만 사용해서 집진 장치를 사용해야 합니다 .

사용법

경고! 액세서리를 교환할 때는 항상 장갑을 착용하십시오. 작동 중에는 공구와 액세서리의 노출된 금속 부분이 매우 뜨거울 수 있습니다.

정상 부하 상태에서 공구를 작동하십시오. 과부하가

발생하면 안 됩니다. 코드를 함부로 다루지 마십시오. 공구를 정확하게 사용하려면 사용 설명서를 참조하십시오.

경고! 벽, 바닥 또는 천장에 드릴 작업을 하기 전에 배선 및 파이프의 위치를 확인하십시오.

드릴 깊이 설정 (그림 A)

깊이조절 가이드는 드릴 깊이를 균일하게 뚫을 수 있도록 하는 편리한 기능입니다. 사이드 핸들을 풀고 필요한 깊이에 따라 깊이 게이지를 조정합니다. 그런 다음, 사이드 핸들을 조입니다.

- ◆ 그룹을 시계 반대 방향으로 돌려서 사이드 핸들 (9) 을 풉니다.
- ◆ 깊이 조절 장치 (8) 를 필요한 위치로 설정합니다. 최대 드릴 깊이는 드릴 비트 끝과 덤스 스톱 간 거리와 같습니다.
- ◆ 그룹을 시계 방향으로 돌려서 사이드 핸들을 조입니다.

전원 켜기/끄기 (그림 A)

경고! 전원의 플러그를 꽂기 전에, 스위치가 막힘없이 돌아가고 손을 떼면 원래 위치로 돌아갈 수 있는지 확인하십시오. 켜기 전에 스위치가 잠금 위치에 있는지 확인하고 전원 장치에 플러그를 꽂기 전에 스위치가 락오프되었는지 확인하십시오.

- ◆ 공구를 켜려면 변속 스위치 (3) 를 누르십시오. 공구 속도는 스위치를 누르는 속도에 따라 다릅니다.
- ◆ 일반적으로, 직경이 큰 드릴 비트에는 저속을 사용하고 직경이 작은 드릴 비트에는 고속을 사용합니다.
- ◆ 연속 작동시키려면 락온 버튼 (2) 을 누른 상태에서 가변 속도 스위치에서 손을 떼십시오.
- ◆ 공구 스위치를 끄려면 가변 속도 스위치를 놓습니다. 연속 작업 중에 공구를 끄려면 변속 스위치를 한 번 더 눌렀다 떼십시오.

경고! 사용자가 자리를 떠나거나 공구를 들어 올리거나, 운반하거나, 조정하거나 위치를 잡을 때는 공구 스위치가 꺼져 있고 플러그를 뽑았는지 확인하십시오.

드릴 척 장착 (그림 D) (SHR243, SHR263) 선택 액세서리

- ◆ 부착물 설치용 지침에 따라 드릴 척 (12) 을 공구 척 (7) 에 끼웁니다.

- ◆ 드릴 척을 돌려서 드릴 클램프의 앞쪽 끝에 있는 클램프를 풀고 액세서리 대 (13) 를 클램프에 꽂고 척을 반대 방향으로 돌립니다.
- ◆ 또한 클램프를 조이는 데 드릴 척 키를 사용할 수도 있습니다.



경고! 햄머 드릴 모드에서 표준 척을 사용하지 마십시오.

SDS Plus 공구 홀더를 키레스 척으로 교체하기 (그림 G) (SHR264)

- ◆ 잠금 칼라 (15) 를 잠금 해제 위치로 돌리고 SDS Plus 공구 홀더 (16) 를 뺍니다.
- ◆ 스프링쪽으로 키레스 척 (17) 을 누른 뒤 잠금 칼라 (15) 를 잠금 위치로 돌립니다.

공구 홀더를 사용해 척을 교체하려면 먼저 공구 홀더 분리 방법과 동일한 방법으로 척을 분리합니다. 그런 다음 잠금 칼라가 잠금 위치로 돌아갔는지 확인하면서 키레스 척을 놓았던 동일한 방식으로 공구 홀더를 놓습니다.



경고! 햄머 드릴 모드에서 표준 척을 사용하지 마십시오.V

작동 모드 선택 (그림 B)

다음과 같은 작동 모드에서 공구를 사용할 수 있습니다.



회전 드릴: 강철, 나무 및 플라스틱에서 나사를 조이거나 드릴 작업용.



햄머 드릴: 콘크리트 및 석재 드릴 작업 시, 비트 회전: 평평한 치출을 원하는 위치로 회전할 경우에만 사용하는 비 작동 위치



햄머 작업만 해당: 가벼운 치핑, 치출링 및 폭파 용도. 이 모드에서는 팍 끼인 드릴 비트를 풀기 위해 공구를 레버로 사용할 수도 있습니다.

1. 작동 모드를 선택하려면, 모드 전환레버 버튼을 누르고 모드 전환레버 스위치 (5) 를 필요한 모드의 기호를 가리킬 때까지 돌립니다.
2. 모드 전환레버 버튼을 놓고 모드 전환레버 스위치가 제자리에 잠겼는지 확인합니다.



경고! 공구를 작동 중일 때는 작동 모드를 선택하지 마십시오.

올바른 손의 위치 (그림 A, 그림 E)




경고! 심각한 신체 부상의 위험을 줄이려면 항상 그림과 같이 올바르게 손을 위치하십시오.



경고! 심각한 신체 부상의 위험을 줄이려면, 항상 급작스러운 반응을 예상하고 확실하게 잡으십시오.


손 위치는 한 손을 기본 핸들 (1) 위에 놓고 다른 손을 사이드 핸들 (9) 위에 놓는 것이 바람직합니다.

회전 드릴 (그림 B, 그림 C1/C2, 그림 D, 그림 G)

- ◆ 철재, 목재 및 플라스틱에서 드릴 작업을 하는 경우 또는 나사를 박는 경우, 작동 모드 선택기 (5) 를  위치로 설정하십시오.
- ◆ 공구에 따라 다음 지침 중 하나를 따르십시오.
SHR264: SDS Plus 공구 홀더 (16) 를 키레스 척 (17) 으로 교체합니다.
SHR243/SHR263: 드릴 척 어셈블리를 장착합니다 (12).
- ◆ 적절한 비트를 삽입합니다. 일자형 나사를 돌릴 때는 항상 파인더 슬리브와 함께 비트를 사용합니다.
- ◆ 금속, 목재 및 플라스틱에서 드릴 작업을 할 경우, 전진/후진 레버 (4) 를 전진 위치로 설정합니다 (그림 C1). 나사 드라이버 기능을 사용할 때는, 나사를 조이고 전진/후진 레버 (4) 를 전진 위치 (그림 C1) 로 설정하고 나사를 풀고 전진/후진 레버 (4) 를 후진 위치 (그림 C2) 로 설정합니다.

경고! 햄머 드릴 모드에서 드릴 척을 절대 사용하지 마십시오.

회전 드릴 작업 (그림 B)


- ◆ 석재 및 콘크리트에서 햄머 드릴 작업을 할 경우, 작동 모드 선택기 (5) 를  위치로 설정합니다.
- ◆ 드릴 비트는 드릴 구멍 위치에 정확하게 놓아야 합니다. 그런 다음 최적의 효과를 위해 스위치를 당깁니다. 공구가 정확한 위치에 있는지 확인해서 드릴이 구멍에서 벗어나지 않도록 하십시오.
- ◆ 드릴 구멍이 부스러기 또는 미세 가루로 막혀 있을 경우 추가 압력을 가하지 마십시오. 구멍에서 드릴 비트의 일부를 제거하기 전에 공구를 자유 작동 상태에 두어야 합니다. 몇 차례 반복하면, 구멍의 장애물이 청소되고 정상 드릴 작업이 재개됩니다.

경고! 드릴 비트가 시멘트 또는 시멘트의 보강용 강 철봉을 치면, 공구가 위험하게 반동할 수 있습니다. 공구는 항상 균형이 잡히고 안정된 위치에서 단단히 잡아서 위험하게 반동이 생기지 않도록 하십시오.

연결 장치 과부하

드릴 비트가 걸리거나 빠질 경우, 드릴 샤프트에 전달되는 원동력이 끊어집니다. 이는 강력한 반동을 발생시키므로 양 손으로 공구를 단단히 잡아서 안정된 위치를 유지해야 합니다.

치핑 및 치즐링 (그림 B)

- ◆ 모드 선택기 스위치 (5) 를 “햄머 전용”  위치로 설정합니다.
- ◆ 적절한 치즐을 끼우고 손으로 돌려서 제자리에 잠급니다.
- ◆ 필요에 따라 사이드 핸들 (9) 을 조정합니다.
- ◆ 공구의 전원 스위치를 켜고 작업을 시작합니다.
- ◆ 작업이 끝나면 플러그를 빼기 전에 항상 공구 스위치를 꺼짐 위치로 놓습니다.



경고! 쉽게 타거나 폭발성이 있는 액체 (벤젠, 알코올 등) 를 섞거나 주입하는 데 이 공구를 사용하지 마십시오. 따라서 라벨에 표시된 인화성 액체를 혼합하거나 섞지 마십시오.

액세서리

전동 공구의 성능은 사용한 액세서리에 따라 결정됩니다. 스텐리 액세서리는 높은 품질 기준을 만족하도록 제조되었으며, 공구의 성능을 향상시키도록 설계되었습니다. 이러한 액세서리를 사용함으로써 공구의 기능을 최대한 활용할 수 있습니다.

유지 보수

스텐리 유선/무선 기기/공구는 최소한의 유지 보수로 장기간에 걸쳐 작업이 가능하도록 설계되어 있습니다. 만족스러운 작동을 보장하려면 공구를 정기적으로 유지하고 청소해야 합니다.



경고: 액세서리를 설치 및 제거하기 전, 구성 상태를 조정하거나 변경하기 전, 또는 수리 시 부상의 위험을 줄이려면 장치를 끄고 전원으로부터 연결을 차단하십시오. 트리거 스위치가 꺼짐 위치에 있는지 반드시 확인하십시오. 공구가 갑자기 작동하여 부상을

당할 수 있습니다.

- ◆ 본 공구는 사용자가 수리할 수 없습니다. 문제가 발생할 경우 공인 수리 대리점에 문의하십시오.
- ◆ 본 공구는 카본 브러시가 마모되면 자동으로 전원이 꺼집니다.

경고! 유선/무선 전동 공구에 유지보수를 수행하기 전에:

- ◆ 제품/공구의 전원 플러그를 뽑으십시오.
- ◆ 또는 제품/공구에 별도의 배터리 팩이 있을 경우 전원을 끄고 제품/공구에서 배터리를 분리합니다.
- ◆ 또는 내장되어 있는 경우 배터리를 완전히 멈춘 다음 전원을 끄십시오.
- ◆ 충전기를 청소하기 전에 충전기의 플러그를 뽑으십시오. 충전기는 정기적인 청소 이외에 유지보수가 필요하지 않습니다.
- ◆ 부드러운 브러시와 마른 헝겊으로 기기/공구/충전기의 환기 슬롯을 주기적으로 청소하십시오.
- ◆ 젖은 헝겊으로 모터 하우징을 주기적으로 청소하십시오. 연마재 및 유성 클리너를 사용하지 마십시오.
- ◆ 척을 주기적으로 열고 가볍게 두드려 내부의 먼지를 털어내십시오. (장착되었을 때).



윤활방법

전동 공구는 별도의 윤활 작업이 필요하지 않습니다. 사용하는 액세서리 및 부착물은 SDS Plus 장비 주변을 정기적으로 윤활해야 합니다.



청소

경고! 통풍구 속이나 주변에 먼지가 쌓여있는 것이 보이면 가능한 한 자주 건조한 공기를 이용하여 몸체에서 먼지를 불어내십시오. 이 절차를 수행할 때에는 승인된 눈 보호 장구 및 승인된 방진 마스크를 착용하십시오.

경고! 공구의 금속 이외 부품을 청소할 때는 용제 등의 강력한 화학약품을 절대 사용하지 마십시오. 이러한 화학제품이 부품의 재질을 악화시킬 수 있습니다. 순한 비누와 젖은 헝겊만을 사용해서 공구를 닦으십시오. 공구 내부에 액체를 넣거나 가솔린 또는 기타 화학물질 청소 또는 공구 부품을 액체에

담그는 행동은 절대 금물입니다.

선택 액세서리



경고! 알맞지 않은 액세서리를 이 공구와 함께 사용하면 위험할 수 있습니다. 신체 부상의 위험을 줄이려면 본 제품에 스탠리 권장 액세서리만 사용해야 합니다.

다양한 종류의 SDS Plus 드릴 비트 및 치즐을 옵션으로 사용할 수 있습니다.

해당 액세서리에 대한 자세한 정보는 판매 대리점으로 문의하십시오.

환경 보호



분리 수거. 본 제품을 일반 가정용 쓰레기로 처리하면 안됩니다.

스탠리 제품을 교체해야 하거나 더 이상 쓸모가 없어졌다고 판단될 때는 본 제품을 가정용 쓰레기와 함께 처리하지 마십시오. 분리 재활용으로 분류하십시오.



사용하던 제품과 포장물 분리 수거하면 자원을 재활용 및 재사용할 수 있습니다. 재활용 자원을 이용하면 환경 오염이 방지되고 고철 자원에 대한 수요를 줄일 수 있습니다.

일부 지방 정부는 가정에 가전제품 재활용 서비스를 제공하기 위해 지역 또는 지방 자치체의 폐기물 처리 센터 또는 신제품 소매점이 필요할 수 있습니다.

참고

STANLEY의 정책은 제품을 지속적으로 개선시키는 것이기 때문에 사전 통지 없이 제품 사양이 변경될 수 있습니다.

기본 장비 및 액세서리 구성은 각 국가에 따라 다를 수 있습니다.

제품 사양은 국가에 따라 다를 수 있습니다.

국가에 따라 판매하지 않는 제품도 있을 수 있습니다. 제품 판매 여부는 해당 지역에 있는 스탠리 판매점으로 문의하십시오.

기술 데이터

로타리 햄머		SHR243	SHR263	SHR264
전압	V	220	220	220
주파수	Hz	60	60	60
소비전력	W	780	800	800
무부하 속도	min ⁻¹	0-1250	0-1150	0-1250
분당타격수	bpm	0-4670	0-4300	0-4670
타격력 (NON EPTA)	J	3.1	3.4	3.4
모드		3	3	3
최대 드릴 용량	mm			
- 콘크리트		24	26	26
- 철재		13	13	13
- 목재		30	30	30
무게	kg	2.6	2.6	2.7

Tujuan penggunaan

Palu putar Stanley SDS plus Anda dimaksudkan untuk mengebor lubang pada beton, batu bata, kayu, dan baja, pemahatan ringan, pekerjaan pembongkaran, dan untuk pengeboran inti berujung karbit atau digunakan untuk obeng. Alat ini hanya ditujukan untuk penggunaan non-profesional.

PETUNJUK KESELAMATAN

Peringatan Keselamatan Alat Listrik Umum



PERINGATAN! Baca seluruh peringatan keselamatan dan seluruh petunjuk. Kegagalan untuk mengikuti peringatan dan instruksi dapat mengakibatkan sengatan listrik, kebakaran, dan/atau cedera berat.

Simpan semua peringatan dan petunjuk untuk referensi di masa mendatang. Istilah "alat listrik" dalam peringatan merujuk pada alat listrik beroperasi listrik induk (berkabel) atau alat listrik beroperasi baterai (nirkabel).

1. Keselamatan area kerja

- a. **Jaga agar area kerja tetap bersih dan terang.** Area yang berantakan atau gelap berpotensi mengakibatkan kecelakaan.
- b. **Jangan mengoperasikan perkakas listrik ini di lingkungan yang mudah menimbulkan bahaya ledakan, seperti di tempat yang terdapat cairan, gas, atau debu yang mudah terbakar.** Perkakas listrik menimbulkan percikan api yang dapat menyulut debu atau uap.
- c. **Jauhkan anak-anak dan orang yang berada di sekitar, sewaktu mengoperasikan perkakas listrik.** Gangguan dapat menyebabkan Anda kehilangan kendali.

2. Keselamatan kelistrikan

- a. **Steker perkakas listrik harus sesuai dengan soketnya.** Jangan pernah memodifikasi steker dengan cara apa pun. Jangan gunakan steker adaptor apa pun dengan perkakas listrik yang dibumikan (grounded).
- b. **Steker yang tidak dimodifikasi dan stopkontak yang sesuai akan mengurangi risiko sengatan listrik.** Hindari kontak badan dengan permukaan yang dibumikan (grounded), seperti pipa, radiator, kompor, dan kulkas. Risiko sengatan listrik dapat meningkat jika tubuh Anda bersentuhan dengan permukaan yang dibumikan.
- c. **Jangan sampai perkakas listrik ini terkena hujan atau terpapar ke kondisi yang basah.** Air yang masuk ke

perkakas listrik akan meningkatkan risiko sengatan listrik.

- d. **Jangan menyalahgunakan kabel.** Jangan sekali-kali menggunakan kabel untuk membawa, menarik, atau mencabut alat listrik.
 - e. **Jauhkan kabel dari panas, minyak, tepi tajam, atau komponen yang bergerak.** Kabel yang rusak atau terbelit meningkatkan risiko sengatan listrik. Bila mengoperasikan perkakas listrik di luar ruangan, gunakan kabel sambungan yang sesuai untuk penggunaan di luar ruangan. Menggunakan kabel yang sesuai untuk penggunaan di luar ruangan akan mengurangi risiko sengatan listrik.
 - f. **Jika penggunaan perkakas listrik di lokasi yang lembap tidak dapat dihindari, gunakan suplai yang terlindung oleh perangkat arus sisa (RCD). Penggunaan RCD akan mengurangi risiko sengatan listrik.** CATATAN: Istilah "perangkat arus sisa (RCD)" dapat digantikan dengan istilah "pemutus sirkuit gangguan tanah (GFCI)" atau "pemutus sirkuit kebocoran tanah (ELCB)".
- ### 3. Keselamatan diri
- a. **Tetap waspada, perhatikan apa yang Anda kerjakan dan gunakan akal sehat saat mengoperasikan perkakas listrik.** Jangan mengoperasikan alat listrik bila Anda sedang lelah, atau berada di bawah pengaruh obat, alkohol, atau pengobatan. Kelengahan sesaat saja saat mengoperasikan perkakas listrik dapat mengakibatkan cedera diri serius.
 - b. **Gunakan peralatan pelindung diri. Selalu kenakan alat pelindung mata.** Peralatan pelindung, seperti masker debu, sepatu keselamatan antiselip, helm proyek, atau pelindung telinga yang digunakan untuk kondisi yang sesuai akan mengurangi risiko cedera diri.
 - c. **Hindari menyalakan alat tanpa disengaja. Pastikan bahwa sakelar sudah dalam posisi mati sebelum menghubungkannya ke sumber listrik dan/atau baterai, mengambil, atau membawa alat.** Membawa perkakas listrik dengan jari Anda masih menempel pada tombol atau menghidupkan perkakas listrik yang tombolnya masih menyala akan berpotensi mengakibatkan kecelakaan.
 - d. **Lepaskan semua kunci setelan atau kunci pas sebelum menghidupkan perkakas listrik.** Kunci pas atau kunci yang dibiarkan terpasang pada komponen perkakas listrik yang berputar dapat mengakibatkan cedera diri.
 - e. **Jangan menjangkau melampaui batas. Selalu jaga**

- pijakan dan keseimbangan yang baik. Hal ini memang kinkan Anda untuk mengendalikan perkakas listrik secara lebih baik dalam situasi yang tidak terduga.
- f. **Kenakan pakaian yang sesuai. Jangan mengenakan pakaian longgar atau perhiasan. Jauhkan rambut, pakaian dan sarung tangan dari komponen yang bergerak.** Pakaian yang longgar, perhiasan atau rambut panjang dapat tersangkut pada komponen yang bergerak.
 - g. **Jika disediakan perangkat untuk sambungan fasilitas pengeluaran dan pengumpulan debu, pastikan alat ini dihubungkan dan digunakan dengan sesuai.** Penggunaan alat pengumpul debu dapat mengurangi bahaya yang ditimbulkan oleh debu.
4. **Penggunaan dan pemeliharaan alat listrik**
 - a. **Jangan menggunakan perkakas listrik dengan paksa. Gunakan alat listrik yang sesuai untuk aplikasi Anda.** Alat listrik yang tepat akan bekerja lebih baik dan aman pada tingkatan kerja yang telah dirancang untuk alat itu.
 - b. **Jangan gunakan perkakas listrik ini jika sakelar tidak dapat menghidupkan dan mematikan alat.** Perkakas listrik apa pun yang tidak dapat dikendalikan dengan tombol adalah berbahaya dan harus diperbaiki.
 - c. **Lepaskan stopkontak dari sumber listrik dan/atau baterai dari perkakas listrik sebelum melakukan penyetulan apa pun, mengganti aksesoris, atau menyimpan perkakas listrik.** Tindakan pencegahan untuk keselamatan seperti itu akan mengurangi risiko menyalakan alat listrik secara tidak disengaja.
 - d. **Simpan perkakas listrik yang tidak digunakan jauh dari jangkauan anak-anak, dan jangan membolehkan orang yang tidak memahami perkakas listrik atau petunjuk ini untuk mengoperasikannya.** Perkakas listrik dapat berbahaya bila digunakan oleh pengguna yang tidak terlatih.
 - e. **Rawat perkakas listrik. Lakukan pemeriksaan untuk mengetahui apakah ada komponen bergerak yang tidak sejajar atau bengkok, komponen yang patah, dan kondisi lainnya yang dapat mempengaruhi pengoperasian alat listrik. Jika rusak, perbaiki alat listrik sebelum digunakan.** Banyak terjadi kecelakaan akibat perkakas listrik yang tidak terawat dengan baik.
 - f. **Jaga ketajaman dan kebersihan alat pemotong.** Alat pemotong yang terawat dengan baik dengan mata potong yang tajam akan kecil kemungkinannya untuk macet serta lebih mudah untuk dikendalikan.
 - g. **Gunakan perkakas listrik, aksesoris, mata bor, dsb, sesuai petunjuk ini, dengan memperhitungkan persyaratan kerja dan jenis pekerjaan yang harus dilakukan.** Penggunaan alat listrik untuk pengoperasian yang tidak sesuai dengan tujuan penggunaan dapat mengakibatkan situasi yang berbahaya.
 5. **Servis**
 - a. **Perkakas listrik sebaiknya diservis oleh teknisi yang berkualifikasi dan hanya menggunakan komponen pengganti yang persis sama.** Hal ini akan membuat keamanan perkakas listrik selalu terjaga.

PERINGATAN KESELAMATAN PALU PUTAR



Peringatan! Peringatan keamanan tambahan untuk Palu

- ◆ **Gunakan pelindung telinga.** Paparan terhadap kebisingan dapat menyebabkan kehilangan pendengaran.
- ◆ **Gunakan pegangan tambahan, bila disertakan dengan alat ini.** Lepasnya kendali dapat menimbulkan cedera diri.
- ◆ **Pegang alat listrik pada permukaan pegangan berinsulasi saat melakukan operasi karena aksesoris pemotong dapat mengenai kabel yang tersembunyi atau kabelnya sendiri.** Aksesoris pemotong yang bersentuhan dengan kabel bertegangan listrik dapat mengalirkan arus listrik pada komponen logam alat listrik dan mengakibatkan sengatan listrik pada pengguna.
- ◆ **Jangan pernah gunakan aksesoris pahat dalam mode putar.** Aksesoris akan terjepit dalam material dan memutar bor.
- ◆ **Gunakan penjepit atau cara praktis lain untuk mengencangkan dan menyangga benda kerja di permukaan yang stabil.** Memegang benda dengan tangan atau disandarkan pada tubuh Anda akan membuatnya tidak stabil dan dapat mengakibatkan hilangnya kendali.
- ◆ **Sebelum mengebor tembok, lantai, atau langit-langit, periksa dulu penempatan kabel dan pipa.**
- ◆ **Hindari menyentuh ujung mata bor setelah mengebor karena mungkin panas.**
- ◆ **Tujuan penggunaan dijelaskan dalam panduan pengguna ini.** Menggunakan aksesoris atau peralatan tambahan, maupun mengoperasikan alat ini dengan cara yang tidak sesuai dengan yang disarankan dalam

panduan pengguna ini dapat menimbulkan risiko cedera tubuh dan/atau kerusakan benda-benda milik pribadi.

Catatan: Voltase listrik: Ketika menghubungkan ke listrik, sangat penting untuk memastikan apakah voltase listrik cocok dengan voltase pada alat listrik. Jika voltase listrik melebihi voltase yang tertera pada alat listrik, maka dapat mengakibatkan kecelakaan yang menyebabkan pengguna terluka parah, dan alat bisa menjadi rusak. Sebaliknya, jika voltase listrik lebih rendah dari voltase yang diperlukan oleh alat, akibatnya motor bisa menjadi rusak.

Sehingga, jika tidak memungkinkan untuk memastikan voltase, sangat penting untuk tidak mencolokkan alat listrik ke sumber listrik.

RISIKO-RISIKO LAIN

Risiko-risiko lain dapat timbul saat menggunakan alat, yang mungkin tidak tercantum dalam peringatan keselamatan yang disertakan.

Risiko-risiko ini dapat diakibatkan oleh penyalahgunaan, penggunaan yang terlalu lama, dsb. Sekalipun peraturan keselamatan terkait sudah diterapkan dan peralatan pengaman sudah digunakan, risiko-risiko lain tertentu tidak dapat dihindari. Antara lain:






- ◆ Cedera yang diakibatkan karena menyentuh komponen yang berputar/bergerak.
- ◆ Cedera yang terjadi saat mengganti komponen, pemotong, atau aksesoris.
- ◆ Cedera yang diakibatkan karena penggunaan alat untuk waktu lama. Jika menggunakan alat apa pun untuk waktu yang lama, pastikan Anda mengistirahatkannya secara berkala.
- ◆ Kerusakan indera pendengaran.
- ◆ Bahaya kesehatan yang disebabkan oleh menghirup debu yang ditimbulkan oleh penggunaan alat (contoh: mengampelas kayu, khususnya kayu oak, beech, dan MDF.)

KESELAMATAN ORANG LAIN

- ◆ Alat ini tidak ditujukan untuk digunakan oleh orang (termasuk anak-anak) dengan keterbatasan kemampuan fisik, sensor, maupun mental, atau kurang pengalaman maupun pengetahuan, kecuali jika di bawah pengawasan atau menerima petunjuk tentang penggunaan peralatan oleh orang yang bertanggung jawab atas keselamatan mereka.
- ◆ Anak-anak harus diawasi untuk memastikan agar mereka tidak bermain-main dengan peralatan ini.

LABEL PADA ALAT

Simbol berikut beserta kode tanggal ditampilkan pada peralatan:

	PERINGATAN! Untuk mengurangi risiko cedera, pengguna harus membaca buku petunjuk sebelum digunakan .		
	Gunakan pelindung telinga.		
	Kenakan kacamata pengaman atau pelindung.		
V	Voltase		Arus Langsung (DC)
A	Ampere	n_0	Kecepatan Tanpa Beban
Hz	Hertz		Konstruksi Kelas II
W	Watt		Terminal Arde (Pentanahan)
min	menit		Simbol Waspadalah Keselamatan
	Arus Bolak-Balik	mnt	Putaran atau Bolak-balik per menit

Posisi Kode Batang Tanggal (Gbr. A)

Kode Tanggal (10), yang juga mencantumkan tahun pembuatan, tercetak pada wadah alat.

Contoh:

2017 XX JN
Tahun produksi

ISI KEMASAN

Kemasan memuat:

- 1 Bor palu putar untuk pekerjaan berat
- 1 Pegangan samping
- 1 Penghenti kedalaman
- 1 Kotak perlengkapan
- 1 Gagang gerak bor (Opsional)
- 1 Mata bor (Opsional)
- 1 Buku petunjuk

1 Pengumpul debu

1 Gagang Gerek Tanpa Tombol (SHR264)

- ◆ Periksa kemungkinan adanya kerusakan pada alat, komponen, atau aksesoris yang bisa jadi terjadi selama transportasi.
- ◆ Ambil waktu untuk membaca seluruh isi buku petunjuk ini dan memahaminya sebelum pengoperasian.

KESELAMATAN KELISTRIKAN



Alat ini berisolasi ganda; sehingga kabel arde (ground) tidak diperlukan. Pastikan untuk memeriksa bahwa catu daya sesuai dengan voltase pada papan nilai.



Jika rusak, kabel daya harus diganti oleh produsen atau Pusat Servis Stanley Black & Decker resmi guna menghindari terjadinya bahaya.

MENGGUNAKAN KABEL EKSTENSI

Jika kabel ekstensi harus digunakan, gunakan kabel ekstensi yang disetujui yang sesuai dengan spesifikasi input daya pada alat. Luas penampang minimum dari kabel penghubung adalah 1,5 mm persegi. Kabel harus diurai sebelum digulung.

Luas penampang kabel (mm ²)	Nilai arus kabel (Ampere)
0.75	6
1.	10
1.50	15
2.50	20
4.00	25

Panjang kabel (m)						
	7.5	15	25	30	45	60

Voltase	Ampere	Nilai arus kabel (Ampere)					
115	0 - 20	6	6	6	6	6	10
	2.1 - 3.4	6	6	6	6	15	15
	3.5 - 5.0	6	6	10	15	20	20
	5.1 - 7.0	10	10	15	20	20	25
	7.1 - 12.0	15	15	20	25	25	-

	12.1 - 20.0	20	20	25	-	-	-
230	0 - 2.0	6	6	6	6	6	6
	2.1 - 3.4	6	6	6	6	6	6
	3.5 - 5.0	6	6	6	6	10	15
	5.1 - 7.0	10	10	10	10	15	15
	7.1 - 12.0	15	15	15	15	20	20
	12.1 - 20.0	20	20	20	20	25	-

FITUR (GBR. A, GBR. D, GBR. F, GBR. G)

Alat ini memiliki beberapa atau semua fitur berikut ini.

1. Pegangan utama
2. Tombol pengunci
3. Sakelar Kecepatan Variabel
4. Tuas Maju/Mundur
5. Pemilih Mode
6. Lengan
7. Penjepit alat
8. Penghenti Kedalaman
9. Pegangan Samping
10. Kode tanggal
11. Mata bor SDS
12. Gagang gerak bor
13. Mata bor
14. Pengumpul debu
15. Batang pengunci
16. Penahan alat SDS Plus
17. Gagang Gerek Tanpa Tombol

PERAKITAN

PERINGATAN! Sebelum dirakit, pastikan bahwa alat ini sudah dimatikan dan dicabut dari stopkontak.

Memasang Gagang Samping (Gbr. A)

PERINGATAN! Saat menggunakan alat, silakan gunakan pegangan samping (9) untuk keamanan Anda.

Pegangan samping dapat dipasang agar sesuai dengan pengguna kidal dan normal.

- ◆ Putar pegangan berlawanan arah jarum jam sampai Anda dapat menyelipkan pegangan samping ke bagian depan alat.
- ◆ Putar pegangan samping ke posisi yang diinginkan.

- ◆ Kencangkan pegangan samping dengan memutar pegangan searah jarum jam.

PERINGATAN! Saat menggunakan alat ini, jangan lupa memasang pegangan samping dengan benar.

Memasang aksesoris (Gbr. A)

- ◆ Bersihkan dan minyaki tang (11) aksesoris.
- ◆ Masukkan bilah aksesoris ke penjepit alat (7).
- ◆ Tekan aksesoris ke bawah dan putar perlahan sampai pas pada lubangnya.
- ◆ Tarik aksesoris untuk memeriksa apakah sudah terkunci dengan benar. Fungsi palu dan pengeboran mengharuskan aksesoris untuk dapat bergerak pada poros beberapa sentimeter saat terkunci dalam penjepit alat.
- ◆ Untuk melepas aksesoris, tarik lengan (6) ke belakang dan tarik aksesoris ke luar dari penjepit alat.

Memasang pengumpul debu (Gbr. F)

- ◆ Masukkan bar aksesoris (11) ke dalam pengumpul debu (14), lalu masukkan bar aksesoris (11) dengan pengumpul debu ke penjepit alat (7).
- ◆ Untuk menggunakan pengumpul debu seperti Gbr. F., hanya gunakan unit ini dengan posisi ke atas.

PENGUNAAN

PERINGATAN! Selalu kenakan sarung tangan saat mengganti aksesoris. Komponen logam yang terbuka pada alat dan aksesoris dapat menjadi sangat panas selama pengoperasian.

Operasikan alat dengan beban normal. Jangan dibebani berlebihan. Jangan menyalahgunakan alat, silakan lihat buku petunjuk untuk menggunakan alat dengan benar. **PERINGATAN!** Sebelum mengebor tembok, lantai, atau langit-langit, periksa dulu penempatan kabel dan pipa.

Mengatur kedalaman pengeboran (Gbr. A)

Pembatas kedalaman adalah fitur yang nyaman untuk memastikan keseragaman dalam kedalaman pengeboran. Longgarkan pegangan samping untuk menyesuaikan pengukur kedalaman sesuai dengan kedalaman yang diperlukan. Setelah itu, kencangkan pegangan samping.

- ◆ Kendurkan pegangan samping (9) dengan cara memutar pegangan berlawanan jarum jam.
- ◆ Setel pembatas kedalaman (8) ke posisi yang

diperlukan. Kedalaman pengeboran maksimum sama dengan jarak antara ujung mata bor dengan ujung depan pembatas kedalaman.

- ◆ Kencangkan pegangan samping dengan memutar pegangan searah jarum jam.

Menyalakan dan mematikan (Gbr. A)

PERINGATAN! Sebelum mencolokkan ke sumber listrik, pastikan sakelar dapat dijentikkan dengan leluasa, dan dapat kembali ke posisi semula setelah dilepaskan. Silakan periksa posisi nyala kunci sakelar sebelum menyalakan dan pastikan kunci sakelar mati sebelum mencolokkan ke sumber listrik.

- ◆ Untuk menyalakan alat, tekan sakelar kecepatan variabel (3). Kecepatan alat tergantung pada seberapa jauh Anda menekan sakelar.
- ◆ Sebagai aturan umum, gunakan kecepatan rendah untuk mata bor berdiameter besar, dan kecepatan tinggi untuk mata bor berdiameter lebih kecil. Untuk operasi terus menerus, tekan tombol pengunci (2) dan lepaskan sakelar kecepatan variabel.
- ◆ Untuk mematikan alat, lepas sakelar kecepatan variabel.
- ◆ Untuk mematikan alat saat dalam pengoperasian yang terus menerus, tekan sakelar kecepatan variabel sekali lagi dan lepaskan.

PERINGATAN! Ketika pengguna meninggalkan, atau mengambil, mengangkut, menggerakkan, dan memosisikan alat, pastikan bahwa alat dimatikan dan dicabut.

Memasang gagang gerak bor (Gbr D) (SHR243,SHR263)

Aksesoris yang dapat dipilih

- ◆ Masukkan gagang bor (12) ke gagang alat (7) menurut petunjuk pemasangan peralatan tambahan.
- ◆ Putar gagang bor untuk melonggarkan penjepit pada ujung depan penjepit bor, dan masukkan bilah aksesoris (13) ke dalam penjepit, lalu putar gagang di arah yang berlawanan.
- ◆ Anda juga dapat menggunakan kunci gagang bor untuk mengencangkan penjepit.



Peringatan: Jangan pernah menggunakan gagang gerak standar dengan mode pengeboran palu.

Mengganti Penahan Alat SDS Plus dengan

Gagang Gerek Tanpa Tombol (Gbr. G) (SHR264)

- ◆ Putar batang pengunci (15) ke posisi buka dan tarik Penahan Alat SDS Plus (16).
- ◆ Dorong gagang tanpa tombol (17) ke kumparan dan putar batang pengunci (15) ke posisi mengunci.

Untuk mengganti gagang tanpa tombol dengan penahan alat SDS Plus, pertama-tama lepaskan gagang tanpa tombol dengan cara yang sama seperti melepaskan penahan alat. Kemudian tempatkan penahan alat sama dengan cara gagang gerak tanpa tombol ditempatkan. Pastikan untuk memutar gagang pengunci ke posisi mengunci.



Peringatan: Jangan pernah menggunakan gagang gerak standar dengan mode pengeboran palu

Memilih Mode Operasi (Gbr. B)

Alat dapat digunakan dalam tiga mode operasi berikut:



Pengeboran putar: untuk pengobengan dan pengeboran baja, kayu, dan plastik



Pengeboran tempa: untuk pengeboran beton dan tembok. Rotasi mata bor: posisi tidak bekerja yang digunakan hanya untuk memutar pahat datar ke posisi yang diinginkan



Penempaan saja: untuk pemotongan, pemahatan, dan pembongkaran ringan. Dalam mode ini, alat juga dapat digunakan sebagai tuas untuk mengatasi mata bor yang macet.

1. Untuk memilih mode operasi, tekan tombol pengaman mode (e) dan putar sakelar pemilih mode (5) sampai menunjuk ke simbol mode yang diinginkan.
2. Lepaskan tombol pemilih mode dan pastikan sakelar pemilih mode terkunci di tempatnya.



PERINGATAN! Jangan memilih modus operasi bila perkakas sedang dijalankan.

Posisi Tangan yang Benar (gbr. A, E)



PERINGATAN! Untuk mengurangi risiko cedera pribadi yang berat, SELALU gunakan posisi tangan yang tepat sesuai petunjuk gambar.




PERINGATAN! Untuk mengurangi risiko cedera pribadi yang berat, SELALU pegang dengan erat untuk mengantisipasi reaksi mendadak.

Posisi tangan yang benar berarti satu tangan pada pegangan


samping (9) dan tangan lainnya pada pegangan utama (1).

Pengeboran putar (Gbr. B) (Gbr. C1/C2) (Gbr. D) (Gbr. G)

- ◆ Untuk mengebor baja, kayu, dan plastik, atau mengobeng sekrup, setel pemilih mode operasi (5) ke posisi .
- ◆ Tergantung pada alat yang digunakan, ikuti salah satu petunjuk di bawah ini:
SHR264: Mengganti penahan alat SDS Plus (16) dengan gagang tanpa tombol (17).
SHR243/SHR263: Pasang rakitan gagang gerak bor (12).
- ◆ masukkan mata bor yang sesuai. Saat mengobeng sekrup bergalur tunggal, selalu gunakan mata obeng dengan ujung pipih.
- ◆ Untuk mengebor baja, kayu, dan plastik, setel tuas maju/mundur (4) ke posisi depan (Gbr. C1). Ketika digunakan untuk fungsi obeng, kencangkan sekrup, setel tuas maju/mundur (4) ke posisi depan (Gbr. C1) dan kendurkan sekrup, setel tuas maju/mundur (4) ke posisi mundur (Gbr. C2).

PERINGATAN! Jangan pernah menggunakan gagang bor dengan mode pengeboran palu.

Pengeboran palu (Gbr. B)

- ◆ Untuk pengeboran palu pada tembok beton dan tembok bata, setel pemilih mode operasi (5) ke posisi .
- ◆ Mata bor harus ditempatkan akurat ke posisi lubang bor. Setelah itu, tarik sakelar untuk efek optimal. Pastikan alat dalam posisi yang benar untuk mencegah agar bor tidak menyimpang dari lubang.
- ◆ Bila lubang bor tersumbat puing-puing atau serbuk halus, jangan beri tekanan lagi. Alat harus diletakkan dalam keadaan bebas bergerak sebelum mengeluarkan bagian mata bor dari lubang. Jika diulangi beberapa kali, penyumbatan di dalam lubang akan dibersihkan, dan pengeboran normal dapat dilanjutkan.


PERINGATAN! Saat mata bor mengenai semen atau batang baja dalam semen, alat ini dapat terpental ke belakang dengan berbahaya. Selalu pegang alat dengan erat dalam posisi yang seimbang dan stabil untuk mencegahnya agar tidak terpental ke belakang dengan berbahaya.

Perangkat penyambung yang kelebihan beban

Jika mata bor terjepit atau tersangkut, daya dorong yang disalurkan ke poros bor akan terputus. Ini akan menyebabkan

terpental ke belakang dengan kuat, sehingga Anda harus memegang alat secara erat dengan kedua tangan agar tetap dalam posisi stabil.

Memotong dan (gbr. B)

- ◆ Setel sakelar pemilih mode (5) ke posisi  "penempatan saja".
- ◆ Masukkan pahat yang sesuai dan putar dengan tangan untuk menguncinya ke posisi.
- ◆ Sesuaikan pegangan samping (9) sesuai kebutuhan.
- ◆ Nyalakan alat dan mulai bekerja.
- ◆ Selalu matikan alat saat pekerjaan telah selesai dan sebelum melepaskan kabel listriknya.



PERINGATAN! Jangan gunakan alat ini untuk mencampur atau memompa cairan yang mudah terbakar atau meledak (bensin, alkohol, dll.). Jangan mencampur atau mengaduk cairan yang mudah terbakar menurut label.

Aksesori

Kinerja alat Anda tergantung pada aksesori yang digunakan. Aksesori Stanley dibuat sesuai standar mutu tinggi dan dirancang untuk meningkatkan kinerja alat Anda. Dengan menggunakan aksesori tersebut, Anda akan memaksimalkan penggunaan alat.

PEMELIHARAAN

Alat/peralatan listrik berkabel/nirkabel Stanley dirancang untuk penggunaan jangka panjang dengan pemeliharaan minimal. Untuk memastikan operasi yang memuaskan, alat ini harus dirawat dan dibersihkan secara teratur



PERINGATAN: Untuk mengurangi risiko cedera, matikan unit dan lepas sambungan mesin dari sumber listrik sebelum memasang dan melepas aksesori, sebelum menyesuaikan atau mengubah pengaturan, maupun saat melakukan perbaikan. Pastikan sakelar pemicu dalam posisi OFF. Alat yang mendadak menyala dapat mengakibatkan cedera.

- ◆ Mesin ini tidak boleh diservis sendiri oleh pengguna. Jika muncul masalah, hubungi agen reparasi resmi.
- ◆ Alat akan mati secara otomatis saat sikat karbon sudah aus.



PERINGATAN! Sebelum melakukan pemeliharaan

apa pun pada alat listrik berkabel/nirkabel:

- ◆ Matikan dan cabut peralatan/ alat.
- ◆ Atau, matikan dan lepaskan baterai dari peralatan/alat jika peralatan/alat memiliki baterai terpisah.
- ◆ Atau, jika baterai terintegrasi, kosongkan baterai sama sekali, kemudian matikan.
- ◆ Lepas pengisi daya sebelum membersihkannya. Pengisi daya tidak membutuhkan perawatan lain di luar pembersihan berkala.
- ◆ Bersihkan celah-celah ventilasi peralatan/alat/pengisi daya Anda secara berkala menggunakan sikat lembut atau kain kering.
- ◆ Bersihkan kerangka mesin secara teratur menggunakan kain bersih yang lembut.
- ◆ Jangan gunakan bahan pembersih abrasif atau pembersih berbasis dasar larutan apa pun.
- ◆ Buka gagang secara berkala dan ketuk-ketuk untuk mengeluarkan debu dari bagian dalam perkakas (dalam posisi terpasang).



Pelumasan

Alat listrik Anda tidak membutuhkan pelumas tambahan.

Aksesori dan pelengkap yang digunakan harus dilumasi secara berkala di sekitar pelengkap SDS Plus.



Pembersihan



PERINGATAN! Semprot ke luar kotoran dan debu pada bodi utama dengan udara kering sesering mungkin saat kotoran terlihat mengendap di dalam dan di sekitar ventilasi udara. Gunakan pelindung mata yang sesuai dan masker debu yang sesuai bilamana mengerjakan prosedur ini.

PERINGATAN! Jangan gunakan pelarut atau bahan kimia keras lainnya untuk membersihkan bagian alat yang tidak terbuat dari logam. Bahan kimia ini dapat merapuhkan material komponen. Cukup gunakan sabun lembut dan kain yang agak basah untuk membersihkan alat. Jangan sampai bagian dalam alat, pembersihan bensin, atau bahan kimia lainnya kemasukan air, dan jangan pernah merendam komponen alat yang mana pun ke dalam cairan.

Aksesori yang Dapat Dipilih



PERINGATAN! Berhubung aksesori-aksesori lain, di luar yang disediakan oleh Stanley, belum pernah diuji coba menggunakan produk ini, maka penggunaan aksesori semacam itu dengan alat ini dapat berbahaya. Untuk mengurangi risiko cedera, gunakan hanya aksesori yang direkomendasikan Stanley dengan produk ini.

Berbagai tipe mata bor dan alat pahat SDS Plus tersedia sebagai pilihan.

Tanyakan kepada dealer Anda untuk informasi selengkapnya seputar aksesori yang sesuai.

Melindungi Lingkungan



Pengumpulan terpisah. Produk ini tidak boleh dibuang bersama limbah rumah tangga biasa.

Seandainya suatu hari Anda jumpai produk Stanley Anda butuh diganti, atau tidak lagi berguna bagi Anda, jangan buang alat ini bersama limbah rumah tangga biasa. Anda harus memilahnya untuk daur ulang terpisah.



Pengumpulan produk dan kemasan bekas secara terpisah memungkinkan bahan untuk didaur ulang dan digunakan lagi. Penggunaan kembali bahan

yang didaur ulang membantu mencegah pencemaran lingkungan dan mengurangi permintaan kebutuhan bahan baku.

Beberapa pemerintah daerah mungkin mewajibkan pusat pembuangan sampah lokal atau kota atau peritel produk baru untuk memberikan layanan daur ulang produk elektronik pada rumah tangga.

Catatan

Kebijakan STANLEY adalah salah satu peningkatan yang berkelanjutan pada produk kami, dan karenanya, kami berhak mengubah spesifikasi produk tanpa pemberitahuan sebelumnya.

Perlengkapan dan aksesori standar mungkin akan berbeda di setiap negara.

Spesifikasi produk mungkin akan berbeda di setiap negara.

Pilihan produk lengkap mungkin tidak tersedia di semua negara. Hubungi dealer STANLEY setempat Anda untuk ketersediaan produk.

DATA TEKNIS

PALU PUTAR		SHR243	SHR263	SHR264
Voltase	V	220-240	220-240	220-240
Frekuensi	Hz	50/60	50/60	50/60
Power Input daya	W	780	800	800
Kecepatan tanpa beban	min ⁻¹	0-1250	0-1150	0-1250
Taraf tumbukan	bpm	0-4670	0-4300	0-4670
Tenaga tumbukan (NON EPTA)	J	3.1	3.4	3.4
Modus		3	3	3
Kapasitas bor maksimum	mm			
-Beton		24	26	26
-Baja		13	13	13
-Kayu		30	30	30
Berat	kg	2.6	2.6	2.7

วัตถุประสงค์ในการใช้งาน

สว่าน เจาะทะลุ SHR243/SHR263/SHR264 SDS plus ของ Stanley มีวัตถุประสงค์เพื่อการใช้งานเจาะรูในคอนกรีต อิฐ ไม้ และเหล็ก การสกัดชนิดเบา การเจาะทำลาย การเจาะคว้านด้วยดอกสว่านหัวคาร์ไบด์ หรือใช้สำหรับการขันสกรู เครื่องมือนี้มีวัตถุประสงค์เพื่อการใช้งานระดับมืออาชีพ

คำแนะนำด้านความปลอดภัย

คำเตือนเพื่อความปลอดภัยทั่วไปสำหรับการใช้เครื่องมือไฟฟ้า



คำเตือน! โปรดอ่านคำเตือนและข้อปฏิบัติเพื่อความปลอดภัยทั้งหมด การไม่ปฏิบัติตามคำเตือนและข้อปฏิบัติเหล่านี้ อาจทำให้เกิดไฟฟ้าช็อต เกิดเพลิงไหม้ และ/หรือได้รับบาดเจ็บสาหัสได้

โปรดเก็บรักษาคำเตือนและข้อปฏิบัติทั้งหมดนี้ไว้เพื่อการอ้างอิงในภายหลัง คำว่า "เครื่องมือไฟฟ้า" ในคำเตือน หมายถึง เครื่องมือไฟฟ้า (แบบมีสาย) ที่ทำงานผ่านแหล่งจ่ายไฟหลัก หรือเครื่องมือไฟฟ้า (แบบไร้สาย) ที่ทำงานผ่านแบตเตอรี่

1. ความปลอดภัยในบริเวณที่ทำงาน

- ก) รักษาความสะอาดและจัดให้มีแสงสว่างเพียงพอในบริเวณที่ทำงาน บริเวณที่มืดหรือมีของวางระเกะระกะอาจทำให้เกิดอุบัติเหตุได้
 - ข) ห้ามใช้เครื่องมือไฟฟ้าในบริเวณที่อาจเกิดการระเบิด เช่น เมื่อมีของเหลวไวไฟ แก๊ส หรือฝุ่นละออง เครื่องมือไฟฟ้าจะทำให้เกิดประกายไฟที่อาจทำให้เกิดละอองไฟหรือเปลวไฟขึ้นได้
 - ค) ระวังไม่ให้เด็กเล็กและคนเดินผ่านไปมาเข้าใกล้ในขณะที่ใช้งานเครื่องมือไฟฟ้า สิ่งรบกวนอาจทำให้คุณเสียสมาธิได้
2. ความปลอดภัยทางไฟฟ้า
 - ก) ปลั๊กไฟของเครื่องต้องเป็นชนิดเดียวกับเต้ารับ ห้ามตัดแปลงปลั๊กไม่ว่าด้วยวิธีใด ห้ามใช้ปลั๊กอะแดปเตอร์ใดๆ กับเครื่องมือไฟฟ้าที่ต่อสายดิน (ลงกราวด์) ปลั๊กที่ไม่มีการตัดแปลงและเต้ารับชนิดเดียวกันจะช่วยลดความเสี่ยงจากการถูกไฟฟ้าช็อต
 - ข) หลีกเลี่ยงการสัมผัสพื้นผิวที่ต่อสายดินหรือลงกราวด์ เช่น ท่อ เครื่องทำความร้อน เตา หุงต้ม และตู้เย็น มีความเสี่ยงเพิ่มขึ้นที่จะถูกไฟฟ้าช็อตหากร่างกายเป็นสื่อเชื่อมต่อลงดินหรือลงกราวด์
 - ค) อย่าให้เครื่องมือไฟฟ้าถูกฝนหรือเปียกน้ำ น้ำที่เข้าเครื่องมือไฟฟ้าจะเพิ่มความเสี่ยงในการเกิดไฟฟ้าช็อต
 - ง) ห้ามใช้สายไฟผิดวัตถุประสงค์ ห้ามใช้สายไฟเพื่อการหิ้ว ดึง หรือถอดปลั๊กเครื่องมือไฟฟ้า เก็บสายไฟให้พ้นจากความร้อน น้ำมัน ของมีคม หรือ ชิ้นส่วนที่กำลังเคลื่อนที่ สายไฟ

ที่ชำรุดหรือพันกันเป็นการเพิ่มความเสี่ยงจากการถูกไฟฟ้าช็อต

- จ) **เมื่อใช้เครื่องมือไฟฟ้านอกอาคาร ให้ใช้สายต่อพ่วงที่เหมาะสมสำหรับการใช้งานนอกอาคาร** การใช้สายไฟที่เหมาะสมสำหรับการใช้งานนอกอาคารจะช่วยลดความเสี่ยงจากการเกิดไฟฟ้าช็อต
 - ฉ) **หากไม่สามารถหลีกเลี่ยงการใช้เครื่องมือไฟฟ้าในบริเวณที่ชื้นและ/หรือ ให้ใช้อุปกรณ์ป้องกันไฟดูด (RCD)** การใช้ RCD จะเป็นการลดความเสี่ยงจากการถูกไฟฟ้าช็อต หมายเหตุ: คำว่า "อุปกรณ์ป้องกันไฟดูด (RCD)" สามารถแทนที่ด้วย "เครื่องตัดกระแสไฟฟ้ารั่วลงดิน (GFCI)" หรือด้วย "เบรกเกอร์กันไฟฟ้ารั่วลงดิน (ELCB)"
3. ความปลอดภัยส่วนบุคคล
 - ก) **ตื่นตัวและมีสมาธิกับสิ่งที่คุณกำลังทำ รวมทั้งใช้สามัญสำนึกในขณะที่กำลังใช้งานเครื่องมือไฟฟ้า ห้ามใช้เครื่องมือไฟฟ้าในขณะที่คุณกำลังเหนื่อยหรือได้รับอิทธิพลจากยา แอลกอฮอล์ หรือการรักษาบางอย่าง** การขาดความระมัดระวังในการใช้เครื่องมือไฟฟ้าแม้ชั่วขณะหนึ่งอาจทำให้บาดเจ็บสาหัสได้
 - ข) **ใช้อุปกรณ์คุ้มครองความปลอดภัยส่วนบุคคลสวมอุปกรณ์ป้องกันดวงตาเสมอ** อุปกรณ์ป้องกัน เช่น หมวกกันน็อก รองเท้ากันกระแทกกันส้น หมวกนิรภัย หรืออุปกรณ์ป้องกันเสียงดังที่ใช้ในสภาวะที่เหมาะสมจะช่วยลดอาการบาดเจ็บทางร่างกาย
 - ค) **ป้องกันเครื่องเปิดทำงานโดยไม่ตั้งใจ** สวิตช์ต้องอยู่ในตำแหน่งปิดก่อนที่จะเสียบปลั๊กเข้ากับแหล่งจ่ายไฟ และ/หรือ ชุดแบตเตอรี่ หรือก่อนจะยกหรือหัวเครื่องมือ การยกเครื่องมือไฟฟ้าในขณะที่นิ้วอยู่ที่สวิตช์ หรือใช้เครื่องมือไฟฟ้าที่สวิตช์เปิดอยู่ อาจทำให้เกิดอุบัติเหตุได้
 - ง) **ถอดกุญแจปรับตั้งหรือประแจออกก่อนเปิดสวิตช์เครื่องมือไฟฟ้า** ประแจหรือกุญแจที่เสียบค้างอยู่ในชิ้นส่วนที่หมุนได้ของเครื่องมือไฟฟ้า อาจทำให้เกิดการบาดเจ็บได้
 - จ) **ห้ามยื่นแขนเข้าขณะใช้เครื่อง** ดวดยื่นในท่าที่เหมาะสมและสมดุลตลอดเวลา เพื่อช่วยในการควบคุมเครื่องมือไฟฟ้าได้ดียิ่งขึ้นในสถานการณ์ที่ไม่คาดคิด
 - ฉ) **แต่งกายให้เหมาะสม ห้ามสวมเสื้อผ้าหลวมหรือใส่เครื่องประดับ** รวบผม ชายเสื้อ และถุงมือให้ห่างจากชิ้นส่วนที่กำลังหมุน เสื้อผ้าที่หลวมหรือยาวรุ่มร่าม เครื่องประดับ หรือผมที่ยาวอาจเข้าไปพันกับชิ้นส่วนที่กำลังหมุน
 - ช) **หากมีอุปกรณ์สำหรับดูดและเก็บฝุ่น ต้องตรวจสอบให้แน่ใจว่าได้เชื่อมต่อและใช้งานอุปกรณ์นั้นอย่างเหมาะสม** การใช้อุปกรณ์เก็บฝุ่นจะช่วยลดอันตรายที่เกี่ยวข้องกับฝุ่นได้
4. การใช้และการดูแลรักษาเครื่องมือไฟฟ้า
 - ก) **ห้ามฝืนใช้เครื่องมือไฟฟ้า เลือกใช้เครื่องมือไฟฟ้าที่ถูกต้องตรงกับลักษณะการใช้งาน**

ของคุณ เครื่องมือไฟฟ้าที่ถูกดัดแปลงทำงานได้ดีกว่าและปลอดภัยกว่า เมื่อใช้งานตามที่คิดที่เครื่องมือได้รับการออกแบบมา

- ข) ห้ามใช้เครื่องมือไฟฟ้าถ้าสวิตช์เปิดปิดเครื่องไม่ทำงาน เครื่องมือไฟฟ้าที่ไม่สามารถควบคุมผ่านสวิตช์ได้ ถือว่ามีอันตรายและต้องส่งซ่อม
- ค) ถอดปลั๊กของเครื่องมือไฟฟ้าออกจากแหล่งจ่ายไฟ และ/หรือ ถอดแบตเตอรี่ออกจากเครื่องมือไฟฟ้าก่อนทำการปรับแต่ง เปลี่ยนอุปกรณ์เสริม หรือจัดเก็บ มาตรการเพื่อความปลอดภัยเชิงการป้องกันนี้จะช่วยลดความเสี่ยงในการผลเปิดเครื่องให้ทำงานโดยไม่ตั้งใจ
- ง) เก็บเครื่องมือไฟฟ้าที่ไม่ใช้งานไว้ในหิ้งมือเด็ก และไม่อนุญาตให้บุคคลที่ไม่คุ้นเคยกับเครื่องมือไฟฟ้าหรือคำแนะนำเหล่านี้เป็นผู้ใช้เครื่องมือ เครื่องมือไฟฟ้าจะเป็นอันตรายหากอยู่ในมือผู้ใช้ที่ไม่มีความชำนาญ
- จ) บำรุงรักษาเครื่องมือไฟฟ้า ตรวจสอบว่าชิ้นส่วนที่เคลื่อนที่ได้มีการวางไม่ตรงแนวหรือติดขัดหรือไม่ มีชิ้นส่วนที่แตกหัก และสภาพอื่นใดที่อาจส่งผลกระทบต่อการทำงานของเครื่องมือไฟฟ้าหรือไม่ หากชำรุดเสียหาย ให้นำเครื่องมือไปส่งซ่อมก่อนนำมาใช้ อุบัติเหตุจำนวนมากเกิดจากการดูแลรักษาเครื่องมือไฟฟ้าไม่เพียงพอ
- ฉ) เครื่องมือตัดต้องคมและสะอาดอยู่เสมอ เครื่องมือตัดที่ได้รับการดูแลรักษาอย่างถูกต้อง และมีขอบตัดคม จะมีปัญหาติดขัดน้อยและควบคุมได้ง่ายกว่า
- ช) ใช้เครื่องมือไฟฟ้า อุปกรณ์เสริมและชุดอุปกรณ์ต่างๆ ให้สอดคล้องกับคำแนะนำเหล่านี้ โดยพิจารณาถึงสภาพการทำงานและงานที่ทำเป็นสำคัญ การใช้เครื่องมือไฟฟ้าทำงานอื่นนอกเหนือจากที่กำหนดไว้อาจทำให้เกิดอันตรายได้
5. การบริการ
- ก) ให้ช่างซ่อมที่มีความเชี่ยวชาญเป็นผู้ซ่อมเครื่องมือ และใช้อะไหล่แท้เท่านั้น ซึ่งจะช่วยให้อายุการใช้งานของเครื่องมือไฟฟ้ายังมีความปลอดภัยอยู่

คำเตือนด้านความปลอดภัยของส่วนเจาะกระแทก



คำเตือน! คำเตือนเพื่อความปลอดภัยเพิ่มเติมสำหรับส่วนเจาะกระแทก

- ◆ **สวมอุปกรณ์ป้องกันเสียงดัง** การเผชิญกับเสียงดังมาก อาจทำให้สูญเสียความสามารถในการได้ยิน
- ◆ **ใช้มือจับเสริม** ที่ให้มาพร้อมกับเครื่อง การสูญเสียการควบคุมเครื่องอาจทำให้ได้รับบาดเจ็บได้
- ◆ **จับเครื่องมือไฟฟ้าที่พื้นผิวส่วนที่ใช้จับซึ่งมีฉนวนป้องกัน** เมื่อใช้งานเครื่องและอุปกรณ์เสริมที่ใช้กับงานตัดอาจสัมผัสกับสายไฟที่ซ่อนอยู่หรือสายไฟของตัวเอง อุปกรณ์

เสริมสำหรับงานตัดที่สัมผัสถูกสายไฟ "ที่มีไฟฟ้า" อาจทำให้ส่วนที่เป็นโลหะของเครื่องที่ถูกสัมผัส "มีไฟฟ้า" และทำให้ผู้ใช้เครื่องถูกไฟฟ้าช็อตได้

- ◆ ห้ามใช้อุปกรณ์เสริมที่เป็นดอกสกัดในโหมดเจาะปั่น เพราะอุปกรณ์เสริมชิ้นนี้จะเข้าไปติดขัดในวัสดุและส่วนเกิดการบิดตัวได้
- ◆ ใช้ตัวจับชิ้นงานหรือวิธีอื่นๆ ที่ได้ผลเพื่อยึดและหมุนชิ้นงานบนแท่นที่มั่นคง การใช้มือจับหรือให้ชิ้นงานพียงกับลำตัวจะไม่มั่นคงและอาจทำให้สูญเสียการควบคุมได้
- ◆ ก่อนเจาะผนัง พื้น หรือเพดาน ให้ตรวจสอบตำแหน่งสายไฟและท่อน้ำ
- ◆ หลีกเลี่ยงการสัมผัสที่ปลายดอกสว่านหลังการเจาะ เพราะอาจทำให้ผิวหนังเป็นแผลพุพอง
- ◆ วัตถุประสงค์ในการใช้งานได้อธิบายไว้ในคู่มือแนะนำการใช้งานฉบับนี้ การใช้งานอุปกรณ์เสริมหรืออุปกรณ์ต่อพ่วง หรือการใช้งานอื่นใดกับเครื่องมืออื่นนอกเหนือจากที่ได้แนะนำไว้ในคู่มือการใช้งานนี้ อาจทำให้เสี่ยงต่อการบาดเจ็บ และ/หรือ ความเสียหายต่อทรัพย์สินได้

หมายเหตุ: แรงดันไฟฟ้าหลัก: เมื่อเชื่อมต่อกับแหล่งจ่ายไฟหลัก จะต้องตรวจสอบว่าแรงดันไฟฟ้าของแหล่งจ่ายไฟหลักตรงกันกับแรงดันไฟฟ้าของเครื่องมือไฟฟ้า หากแรงดันไฟฟ้าหลักสูงกว่าแรงดันไฟฟ้าที่ระบุไว้ที่เครื่องมือไฟฟ้า ผู้ใช้อาจได้รับอันตรายร้ายแรงจากอุบัติเหตุ และเครื่องมืออาจเสียหายได้ ในทางตรงข้ามหากแรงดันไฟฟ้าหลักต่ำกว่าแรงดันไฟฟ้าที่ระบุไว้ที่เครื่องมือ อาจส่งผลให้มอเตอร์เสียหายได้ ดังนั้น หากไม่สามารถตรวจสอบแรงดันไฟฟ้าได้ อย่าเสียบปลั๊กเข้ากับแหล่งจ่ายไฟโดยเด็ดขาด

ความเสี่ยงอื่นๆ ที่ยังมีอยู่

- ความเสี่ยงอื่นๆ ที่ไม่ได้ระบุในคำเตือนเพื่อความปลอดภัยนี้ อาจเกิดขึ้นได้เมื่อใช้เครื่องมือ ความเสี่ยงเหล่านี้จะเกิดขึ้นจากการใช้อย่างไม่ถูกต้อง การใช้เป็นเวลานาน เป็นต้น แม้จะปฏิบัติตามข้อกำหนดด้านความปลอดภัยที่เกี่ยวข้องและใช้อุปกรณ์นิรภัยแล้วก็ตาม แต่ก็ไม่สามารถหลีกเลี่ยงความเสี่ยงบางอย่างได้ ความเสี่ยงเหล่านี้ได้แก่:
- ◆ การบาดเจ็บที่เกิดจากการสัมผัสชิ้นส่วนที่หมุน/เคลื่อนที่
 - ◆ การบาดเจ็บที่เกิดขึ้นขณะเปลี่ยนชิ้นส่วน ใบมีดหรืออุปกรณ์เสริม
 - ◆ การบาดเจ็บที่เกิดจากการใช้เครื่องมือต่อเนื่องเป็นเวลานาน เมื่อใช้เครื่องมือเป็นระยะเวลาสั้น ต้องแน่ใจว่าคุณได้หยุดพักเป็นระยะ
 - ◆ ความบกพร่องในการได้ยินเสียง
 - ◆ อันตรายต่อสุขภาพที่เกิดจากการสูดดมฝุ่นจากการใช้เครื่องมือ (ตัวอย่างเช่น การทำงานกับไม้ โดยเฉพาะไม้โอ๊ค ไม้บีช และไม้ MDF)

ความปลอดภัยของบุคคล

- ◆ เครื่องมือนี้ไม่ได้มีไว้เพื่อการใช้งานโดยบุคคล (ซึ่งรวมถึงผู้เยาว์) ที่มีความสามารถทางกายภาพ ความสามารถทางการรับรู้ หรือความสามารถทางสมองบกพร่อง หรือบุคคลซึ่งขาดประสบการณ์และความรู้ เว้นเสียแต่จะได้รับ การควบคุมดูแลหรือคำแนะนำการใช้งานเครื่องมือจากผู้รับผิดชอบความปลอดภัยของบุคคลเหล่านั้น
- ◆ เด็กควรได้รับการควบคุมดูแลเพื่อให้แน่ใจว่าเด็กจะไม่เล่นเครื่องมือ

ป้ายสัญลักษณ์บนเครื่องมือ

สัญลักษณ์ต่อไปนี้จะปรากฏบนเครื่องมือพร้อมทั้งรหัสส่วนที่:

	คำเตือน! ผู้ใช้ต้องอ่านคู่มือการใช้งานเล่มนี้ก่อนการใช้งาน เพื่อลดความเสี่ยงต่อกรบาดเจ็บ		
	สวมอุปกรณ์ป้องกันเสียงดัง		
	สวมแว่นตานิรภัยหรือแว่นครอบตา		
V	โวลต์	===	ไฟกระแสดรง
A	แอมแปร์	n_0	ความเร็วขณะไม่มีโหลด
Hz	เฮิร์ตซ์		โครงสร้างคลาส II
W	วัตต์		ขั้วต่อลงดิน
min	นาที		สัญลักษณ์เตือนความปลอดภัย
	ไฟกระแสดรง	/นาที	รอบการหมุนหรือรอบการทำงานต่อ นาที

ตำแหน่งของรหัสส่วนที่ (รูป A)

รหัสส่วนที่ (10) ซึ่งรวมถึงปีที่ผลิต จะพิมพ์อยู่บนตัวเครื่อง

ตัวอย่างเช่น:

2017 XX JN
ปีที่ผลิต

สิ่งที่อยู่ในบรรจุภัณฑ์

ภายในบรรจุภัณฑ์ประกอบด้วย:

- ส่วนเจาะกระแทกโรตารีสำหรับงานหนัก 1 เครื่อง
- มือจับเสริมด้านข้าง 1 ชิ้น
- ก้านปรับระยะการเจาะ 1 ชิ้น
- กล่องเครื่องมือ 1 กล่อง
- ตัวจับดอกสว่าน 1 ชิ้น (อุปกรณ์เสริม)
- ดอกสว่าน 1 ชิ้น (อุปกรณ์เสริม)
- คู่มือการใช้งาน 1 เล่ม
- ตัวเก็บฝุ่น 1 ชิ้น
- ตัวจับดอกสว่านแบบไม่ใช้จำปา 1 ชิ้น (SHR264)
- ◆ โปรดตรวจสอบร่องรอยความเสียหายของเครื่องมือชิ้นส่วน หรืออุปกรณ์เสริม ที่อาจเกิดขึ้นในระหว่างการขนส่ง
- ◆ ตัวจับดอกสว่าน 1 ชิ้น (อุปกรณ์เสริม)
- ◆ ดอกสว่าน 1 ชิ้น (อุปกรณ์เสริม)
- ◆ โปรดอ่านและทำความเข้าใจคู่มือเล่มนี้ก่อนการใช้งาน

ความปลอดภัยเกี่ยวกับไฟฟ้า



เครื่องมือของคุณมีฉนวนสองชั้น ดังนั้นจึงไม่จำเป็นต้องต่อสายดิน ตรวจสอบให้แน่ใจว่ากำลังไฟของแหล่งจ่ายไฟตรงกับค่าแรงดันไฟฟ้าบนแผ่นแสดงฟังก์ชัน



หากสายไฟของตัวเครื่องชำรุดเสียหาย ต้องได้รับการเปลี่ยนโดยผู้ผลิตหรือศูนย์บริการของ Stanley ที่ได้รับอนุญาตเพื่อหลีกเลี่ยงอันตรายที่อาจเกิดขึ้น

การใช้สายพ่วง

หากจำเป็นจะต้องใช้สายพ่วง โปรดใช้สายพ่วงที่ได้มาตรฐานและตรงตามข้อกำหนดเฉพาะสำหรับกำลังไฟเข้าของเครื่องมือ ขนาดพื้นที่หน้าตัดต่ำสุดของสายไฟคือ 1.5 ตร.มม. ควรคลายสายไฟก่อนม้วนเก็บ

พื้นที่หน้าตัดของสายไฟ (ตร.มม.)	กระแสไฟฟ้าตามพิกัดของสายไฟ (แอมแปร์)
0.75	6
1.00	10
1.50	15
2.50	20
4.00	25

ความยาวของสายไฟ (ม.)					
	7.5	15	25	30	60

แรงดันไฟฟ้า	แอมแปร์	กระแสไฟฟ้าตามพิกัดของสายไฟ (แอมแปร์)					
115	0 - 2.0	6	6	6	6	6	10

	2.1 - 3.4	6	6	6	6	15	15
	3.5 - 5.0	6	6	10	15	20	20
	5.1 - 7.0	10	10	15	20	20	25
	7.1 - 12.0	15	15	20	25	25	-
	12.1 - 20.0	20	20	25	-	-	-
230	0 - 2.0	3	6	6	6	6	6
	2.1 - 3.4	6	6	6	6	6	6
	3.5 - 5.0	6	6	6	6	10	15
	5.1 - 7.0	10	10	10	10	15	15
	7.1 - 12.0	15	15	15	15	20	20
	12.1 - 20.0	20	20	20	20	25	-

- ◆ หมุนมือจับเสริมด้านข้างเข้าไปยังตำแหน่งที่ต้องการ
- ◆ ขันมือจับเสริมด้านข้างให้แน่นโดยหมุนกริปตามเข็มนาฬิกา

คำเตือน! เมื่อใช้งานเครื่องมือ ต้องใส่มือจับเสริมด้านข้างให้ถูกต้อง

การติดตั้งอุปกรณ์เสริม (รูป A)

- ◆ ทำความสะอาดและหล่อลื่นก้าน (11) ของอุปกรณ์เสริม
- ◆ ใส่ก้านของอุปกรณ์เสริมเข้าไปในที่จับอุปกรณ์ (7)
- ◆ กดอุปกรณ์เสริมลง ค่อยๆ หมุนอุปกรณ์เสริมจนกระทั่งเข้าพอดีในช่อง
- ◆ ลองดึงอุปกรณ์เสริมออกเพื่อตรวจสอบว่าอุปกรณ์เสริมล็อคอยู่ในตำแหน่งถูกต้องแล้ว สำหรับคุณสมบัติการเจาะและการเจาะกระแทก อุปกรณ์เสริมจะต้องสามารถเคลื่อนตามแนวแกนได้หลายเซนติเมตร เมื่อล็อคอยู่ในที่จับอุปกรณ์
- ◆ เมื่อต้องการถอดอุปกรณ์เสริมออก ให้ดึงปลอกล็อค (6) ถอยกลับ และดึงอุปกรณ์เสริมออกจากที่จับอุปกรณ์

การติดตั้งตัวเก็บฝุ่น (รูป F)

- ◆ ใส่แท่งอุปกรณ์เสริม (11) เข้ากับตัวเก็บฝุ่น (14) จากนั้นให้ใส่แท่งอุปกรณ์เสริม (11) ที่ติดตั้งเข้ากับตัวเก็บฝุ่นแล้วเข้าไปในที่จับอุปกรณ์ (7)
- ◆ การใช้งานตัวเก็บฝุ่นจำเป็นต้องให้เครื่องมืออยู่สูงกวาระดับปกติเท่านั้น ดังที่แสดงในรูป F

การใช้งาน

คำเตือน! สวมถุงมือขณะเปลี่ยนอุปกรณ์เสริมเสมอ ชิ้นส่วนโลหะบนเครื่องมือและอุปกรณ์เสริมอาจมีความร้อนสูงในระหว่างการทำงาน โปรดใช้งานเครื่องมือภายใต้โหลดการใช้งานปกติ ห้ามใช้งานเกินกำลัง อย่าใช้งานเครื่องมือนี้เพื่อทำงานอื่น โปรดปฏิบัติตามคู่มือแนะนำการใช้งานเพื่อใช้งานเครื่องมืออย่างถูกต้อง

คำเตือน! ก่อนเจาะผนัง พื้น หรือเพดาน ให้ตรวจสอบตำแหน่งสายไฟและท่อน้ำ

การปรับตั้งความลึกของการเจาะ (รูป A)

ก้านปรับระยะการเจาะเป็นส่วนประกอบสำคัญที่ช่วยอำนวยความสะดวกเพื่อให้แน่ใจว่าได้ความลึกของการเจาะที่เหมือนกัน คลายมือจับเสริมด้านข้างเพื่อปรับมาตรวจความลึกตามความลึกที่ต้องการ จากนั้นให้ขันมือจับเสริมด้านข้างให้แน่น

- ◆ ขันมือจับเสริมด้านข้าง (9) ให้แน่น โดยหมุนกริปทวนเข็มนาฬิกา

ส่วนประกอบสำคัญ (รูป A, รูป D, รูป F, รูป G)

เครื่องมือนี้มีส่วนประกอบสำคัญบางอย่างหรือทั้งหมดดังต่อไปนี้

1. ด้ามจับตัวหลัก
2. ปุ่มล๊อค
3. สวิตช์ปรับระดับความเร็ว
4. ปุ่มเลื่อนเดินหน้า/ถอยหลัง
5. ตัวเลือกโหมด
6. ปลอกล๊อค
7. ที่จับอุปกรณ์
8. ก้านปรับระยะการเจาะ
9. มือจับเสริมด้านข้าง
10. รหัสส่วนที่
11. ดอกสว่าน SDS
12. ตัวจับดอกสว่าน
13. ดอกสว่าน
14. ตัวเก็บฝุ่น
15. ปลอกล๊อค
16. ตัวจับอุปกรณ์ SDS Plus
17. ตัวจับดอกสว่านแบบไม่ใช้จำปา

การประกอบ

คำเตือน! ก่อนการประกอบ ตรวจสอบให้แน่ใจว่าเครื่องมือปิดสวิตช์อยู่และถอดปลั๊กไฟแล้ว

ใส่ด้ามจับด้านข้าง (รูป A)

คำเตือน! ในขณะที่ใช้งานเครื่องมือนี้ โปรดใช้มือจับเสริมด้านข้าง (9) เพื่อความปลอดภัย

มือจับเสริมด้านข้างสามารถติดตั้งเพื่อให้เหมาะทั้งสำหรับผู้ใช้ที่ถนัดขวาและผู้ใช้ที่ถนัดซ้าย

- ◆ หมุนกริปทวนเข็มนาฬิกาจนกระทั่งสามารถเลื่อนมือจับเสริมด้านข้างเข้าที่ด้านบนของเครื่องมือ

- ◆ ตั้งก้านปรับระยะการเจาะ (8) ไปยังค่าที่ต้องการ ระยะการเจาะลึกสุดคือระยะห่างระหว่างปลายดอกสว่านจนจนถึงด้านหน้าของก้านปรับระยะการเจาะ
- ◆ ขันมือจับเสริมด้านข้างให้แน่นโดยหมุนกริปตามเข็มนาฬิกา

การเปิดและปิดเครื่อง (รูป A)

คำเตือน! ก่อนเสียบปลั๊กเข้ากับแหล่งจ่ายไฟ โปรดตรวจสอบให้แน่ใจว่าสวิตช์สามารถสลับเปิดปิดได้อย่างอิสระ และสามารถกลับสู่ตำแหน่งเริ่มต้นได้ เมื่อปล่อยสวิตช์แล้ว โปรดตรวจสอบดูสวิตช์ในตำแหน่งล๊อคก่อนเปิดเครื่องและตรวจสอบให้แน่ใจว่าปิดสวิตช์ล๊อคก่อนเสียบปลั๊กเข้ากับแหล่งจ่ายไฟ

- ◆ เมื่อต้องการเปิดเครื่อง ให้กดสวิตช์ปรับระดับความเร็ว (3) ความเร็วของเครื่องมือจะขึ้นอยู่กับความลึกของสวิตช์ที่คุณกดลงไป
- ◆ โดยทั่วไป ให้ใช้ความเร็วต่ำสำหรับดอกสว่านขนาดใหญ่ และความเร็วสูงสำหรับดอกสว่านขนาดเล็กกว่า
- ◆ เมื่อต้องการใช้งานอย่างต่อเนื่อง ให้กดปุ่มล๊อค (2) และปล่อยสวิตช์ปรับระดับความเร็ว
- ◆ เมื่อต้องการปิดเครื่อง ให้ปล่อยสวิตช์ปรับระดับความเร็ว

เมื่อจะปิดเครื่องระหว่างการใช้งานต่อเนื่อง ให้กดสวิตช์ปรับระดับความเร็วอีกหนึ่งครั้งแล้วปล่อย

คำเตือน! เมื่อผู้ใช้งานจวางทั้งไว้ หรือเก็บ ขนส่ง เคลื่อนย้าย และจัดวางเครื่องมือ โปรดตรวจสอบให้แน่ใจว่าสวิตช์อยู่ในตำแหน่งปิดและไม่ได้มีการเสียบปลั๊กไว้

การติดตั้งตัวจับดอกสว่าน (รูป D) (SHR243, SHR263) อุปกรณ์เสริม

- ◆ ใส่ตัวจับดอกสว่าน (12) เข้าไปในหัวจับดอกสว่าน (7) ตามข้อปฏิบัติในการติดตั้งอุปกรณ์ยึดติด
- ◆ หมุนตัวจับดอกสว่านเพื่อคลายที่จับที่ปลายด้านหน้าของตัวจับดอกสว่าน และใส่ก้านอุปกรณ์เสริม (13) เข้าไปในที่จับ และหมุนตัวจับดอกสว่านไปในทิศทางตรงข้าม
- ◆ คุณยังสามารถใช้กุญแจขันตัวจับดอกสว่านเพื่อขันที่จับให้แน่นได้อีกด้วย



คำเตือน: ห้ามใช้ตัวจับดอกสว่านมาตรฐานในโหมดการเจาะกระแทก

การเปลี่ยนตัวจับอุปกรณ์ SDS Plus เป็นตัวจับดอกสว่านแบบไม่ใช้จำปา (รูป G) (SHR264)

- ◆ หมุนปลอกล๊อค (15) เข้าไปที่ตำแหน่งปลดล๊อค และดึงตัวจับอุปกรณ์ SDS Plus (16) ออก
- ◆ กดตัวจับดอกสว่านแบบไม่ใช้จำปา (17) ลงบนแกนหมุนและหมุนปลอกล๊อค (15) เข้าไปที่

ตำแหน่งล๊อค หากต้องการเปลี่ยนตัวจับดอกสว่านแบบไม่ใช้จำปาเป็นตัวจับอุปกรณ์ SDS Plus ชั้นแรกให้ถอดตัวจับดอกสว่านแบบไม่ใช้จำปาออกด้วยวิธีเดียวกับการถอดตัวจับอุปกรณ์ จากนั้น ติดตั้งตัวจับอุปกรณ์ด้วยวิธีเดียวกับการติดตั้งตัวจับดอกสว่านแบบไม่ใช้จำปา ตรวจสอบให้แน่ใจว่าหมุนปลอกล๊อคเข้าไปที่ตำแหน่งล๊อค



คำเตือน: ห้ามใช้ตัวจับดอกสว่านมาตรฐานในโหมดการเจาะกระแทก

การเลือกโหมดการทำงาน (รูป B)

เครื่องมือสามารถใช้ในโหมดการทำงานได้ดังต่อไปนี้:



การเจาะ: ใช้สำหรับการขันสกรูและการเจาะรูในวัสดุประเภทเหล็ก ไม้ และพลาสติก



การเจาะกระแทก: สำหรับการเจาะคอนกรีตและปูน การหมุนดอกสว่าน: ตำแหน่งที่ไม่มีการทำงาน ใช้โหมดนี้เฉพาะสำหรับการหมุนดอกสกรูตักแบบเข้าในตำแหน่งที่ต้องการ



เฉพาะการเจาะสกัดเท่านั้น: สำหรับการสกัด การถากชนิดเบา และการเจาะทำลาย ในโหมดนี้ สามารถใช้เครื่องมือเป็นตัวจับดอกสว่านที่ติดขัดอยู่ออกได้อีกด้วย

1. การเลือกโหมดการทำงาน ให้กดปุ่มเลือกโหมดการทำงานแล้วหมุนสวิตช์ปรับโหมด (5) จนกระทั่งเครื่องหมายอยู่ตรงสัญลักษณ์ของโหมดที่ต้องการ
2. ปล่อยปุ่มเลือกโหมดการทำงาน แล้วตรวจสอบสวิตช์ปรับโหมดว่าเข้าอยู่ในตำแหน่งดีแล้ว



คำเตือน! ห้ามเลือกโหมดการทำงานในขณะที่เครื่องมือกำลังทำงานอยู่

ตำแหน่งการจับที่เหมาะสม (รูป A, รูป E)




คำเตือน! เพื่อลดความเสี่ยงจากการบาดเจ็บที่รุนแรง ให้วางมือในตำแหน่งที่ถูกต้องทุกครั้งดังแสดงในภาพ



คำเตือน! เพื่อลดความเสี่ยงจากการได้รับบาดเจ็บสาหัส จะต้องจับเครื่องมือให้แน่นทุกครั้งที่เกิดในกรณีที่เกิดการตอบสนองขึ้นแบบทันทีทันใด

ตำแหน่งของการจับที่ถูกต้องคือ มือหนึ่งอยู่บนมือจับเสริมด้านข้าง (9) อีกมือหนึ่งอยู่บนมือจับหลัก (1)

การเจาะกระแทก (รูป B, รูป C1/C2, รูป D, รูป G)

- ◆ เมื่อเจาะเหล็ก ไม้ และพลาสติก หรือการขันสกรู ให้ปรับสวิตช์เลือกโหมดการเจาะ (5) ไปที่ตำแหน่ง 
- ◆ ปฏิบัติตามคำแนะนำข้อใดข้อหนึ่งต่อไปนี้ตามเครื่องมือของคุณ:

SHR264: เปลี่ยนตัวจับอุปกรณ์ SDS Plus (16) เป็นตัวจับดอกสว่านแบบไม่ใช้จำปา (17)

SHR243/SHR263: ติดตั้งชิ้นส่วนประกอบตัวจับ ดอกสว่าน (12)

- ◆ ใส่ดอกสว่านที่เหมาะสม เมื่อหมุนสกรูหัวฝา ให้ใช้ดอกสว่านที่มีปลอกทามทุกครั้ง
- ◆ สำหรับการเจาะไม้ เหล็ก และพลาสติก ให้ตั้งก้านปรับเดินหน้า/ถอยหลัง (4) ไปที่ตำแหน่งเดินหน้า (รูป C1) เมื่อใช้งานสำหรับการขันสกรู การขันสกรูเข้าให้ตั้งก้านปรับเดินหน้า/ถอยหลัง (4) ไปที่ตำแหน่งเดินหน้า (รูป C1) และการคลายสกรูให้หลวมให้ตั้งก้านปรับเดินหน้า/ถอยหลัง (4) ไปที่ตำแหน่งถอยหลัง (รูป C2)

คำเตือน! ห้ามใช้ตัวจับดอกสว่านในโหมดการเจาะกระแทก

การเจาะกระแทก (รูป B)

- ◆ สำหรับการเจาะกระแทกปูนและคอนกรีต ให้ปรับสวิตช์เลือกโหมดการเจาะ (5) ไปที่ตำแหน่ง **ค**
- ◆ ต้องวางดอกสว่านลงบนตำแหน่งรูเจาะให้ถูกต้อง จากนั้น ให้ตั้งสวิตช์เพื่อให้ได้ผลการทำงานที่ดีที่สุด ตรวจสอบให้แน่ใจว่าเครื่องมืออยู่ในตำแหน่งที่ถูกต้องเพื่อป้องกันไม่ให้สว่านเคลื่อนไถลออกจากรูเจาะ
- ◆ เมื่อรูเจาะมีเศษวัสดุหรือฝุ่นผงละเอียดอุดตันอยู่ โปรดอย่าใช้แรงกดเพิ่ม ควรปรับเครื่องมือให้สามารถเคลื่อนตำแหน่งได้อย่างสะดวกก่อนถอนส่วนของดอกสว่านออกจากรูเจาะ หากเกิดขึ้นซ้ำสองสามครั้ง ให้นำสิ่งอุดตันออกจากรู และ สามารถทำการเจาะซ้ำได้ตามปกติ

คำเตือน! เมื่อดอกสว่านกระแทกกับซีเมนต์หรือเหล็กเส้นในโครงสร้างซีเมนต์ เครื่องมืออาจมีแรงปฏิกิริยาสะท้อนกลับที่ทำให้เกิดอันตรายได้ โปรดจับเครื่องมือให้กระชับในตำแหน่งที่สมดุลและมั่นคงตลอดเวลาเพื่อป้องกันแรงปฏิกิริยาสะท้อนกลับที่เป็นอันตราย

กรณีการใช้งานเกินกำลังหรือดักติด

หากดอกสว่านถูกหนีบหรือดักติดอยู่ แรงผลักที่ส่งไปยังแกนดอกสว่านจะหยุดทำงาน การดักติดนี้จะทำให้เกิดแรงสะท้อนกลับที่รุนแรง จึงต้องใช้ทั้งสองมือจับเครื่องมือให้กระชับแน่นในตำแหน่งที่มีมั่นคง

การสกัดและการถาก (รูป B)

- ◆ ตั้งสวิตช์ปรับโหมด (5) ไปที่ตำแหน่ง **ค** "เฉพาะการเจาะสกัดเท่านั้น"
- ◆ ใส่หัวสกัดที่เหมาะสม แล้วหมุนหัวสกัดด้วยมือเพื่อล็อคเข้าในตำแหน่งใดตำแหน่งหนึ่ง
- ◆ ปรับตั้งมือจับเสริมด้านข้าง (9) ตามที่ต้องการ
- ◆ เปิดสวิตช์เครื่องมือและเริ่มทำงาน
- ◆ ปิดสวิตช์เครื่องมือทุกครั้งเมื่อทำงานเสร็จแล้ว และ ก่อนดึงปลั๊กออก



คำเตือน! ห้ามใช้เครื่องมือนี้เพื่อผสมหรือบีบของเหลวไวไฟหรือที่สามารถระเหยได้ (เช่น เบนซิน แอลกอฮอล์ เป็นต้น) ห้ามผสมหรือกวนของเหลวที่ติดป้ายกลางของเหลวไวไฟ

อุปกรณ์เสริม

สมรรถนะของเครื่องมือของคุณขึ้นอยู่กับอุปกรณ์เสริมที่ใช้ อุปกรณ์เสริมของ Stanley ได้รับการออกแบบทางวิศวกรรมให้มีความทนทานคุณภาพสูง และเพิ่มสมรรถนะของเครื่องมือของคุณ เมื่อใช้อุปกรณ์เสริมเหล่านี้ คุณจะสามารถใช้เครื่องมือของคุณได้อย่างมีประสิทธิภาพสูงสุด

การบำรุงรักษา

เครื่องมือแบบมีสาย/ไร้สายของ Stanley ได้รับการออกแบบมาเพื่อให้สามารถใช้งานได้ยาวนานต่อเนื่อง โดยมีการบำรุงรักษาขั้นน้อยที่สุด เพื่อให้แน่ใจว่าเครื่องมือทำงานได้อย่างน่าพึงพอใจ จะต้องหมั่นบำรุงรักษา และทำความสะอาดสม่ำเสมอ



คำเตือน: เพื่อลดความเสี่ยงจากการบาดเจ็บ ให้ปิดเครื่องมือและถอดปลั๊กเครื่องมือออกจากแหล่งจ่ายไฟก่อนการประกอบและถอดอุปกรณ์เสริม ก่อนการปรับแต่ง หรือเปลี่ยนการตั้งค่า หรือเมื่อทำการซ่อมแซม ตรวจสอบให้แน่ใจว่าสวิตช์อยู่ในตำแหน่ง "ปิด" การเคลื่อนเปิดเครื่องโดยไม่ตั้งใจอาจเป็นสาเหตุให้เกิดการบาดเจ็บได้

- ◆ เครื่องมือนี้ผู้ใช้ไม่สามารถซ่อมเองได้ หากมีปัญหาก่อนการกำหนดดังกล่าว ให้ติดต่อศูนย์บริการที่ได้รับอนุญาต
- ◆ เครื่องมือจะไม่หยุดการทำงานเองโดยอัตโนมัติ หากแรงต้านขารตลึงหรือ

คำเตือน! ก่อนทำการบำรุงรักษาเครื่องมือไฟฟ้าแบบมีสาย/ไร้สาย จะต้อง:

- ◆ ปิดสวิตช์และถอดปลั๊กเครื่อง/เครื่องมือ
- ◆ หรือปิดสวิตช์และถอดแบตเตอรี่ออกจากเครื่อง/เครื่องมือ ถ้าเครื่องมือมีชุดแบตเตอรี่แยกต่างหาก
- ◆ หรือใช้แบตเตอรี่จนหมดถ้าแบตเตอรี่อยู่รวมกับเครื่อง จากนั้นให้ปิดสวิตช์
- ◆ ถอดปลั๊กเครื่องขารจออกก่อนจะทำความสะอาดเครื่องขารจไม่ต้องการการดูแลพิเศษอื่นในนอกเหนือจากการทำความสะอาดเป็นประจำ
- ◆ ทำความสะอาดของระบายอากาศในเครื่องมือและเครื่องขารจของคุณเป็นประจำโดยใช้แปรงขนอ่อนหรือผ้าแห้ง
- ◆ ทำความสะอาดตัวมอเตอร์เป็นประจำโดยใช้ผ้าขุบน้ำหมาดๆ
- ◆ ห้ามใช้น้ำยาทำความสะอาดที่มีฤทธิ์กัดกร่อนหรือมีส่วนผสมของตัวทำละลาย
- ◆ ปิดตัวจับดอกสว่านออกมาเคาะเป็นประจำเพื่อ

กำจัดฝุ่นที่ติดอยู่ในตัวจับ (ในขณะที่ติดตั้ง)



การหล่อลื่น

ไม่ต้องใช้สารหล่อลื่นเพิ่มเติมกับเครื่องมือไฟฟ้านี้ อุปกรณ์เสริมและอุปกรณ์ประกอบที่ใช้จะต้องทำการหล่อลื่นเป็นประจำ ในบริเวณรอบๆ จุดต่อของอุปกรณ์ SDS Plus



การทำความสะอาด



คำเตือน! ห้ามเป่าสิ่งสกปรกและฝุ่นละอองที่สะสมออกจากตัวเครื่องเป็นประจำด้วยลมแห้ง เนื่องจากสิ่งสกปรก

มักสะสมอยู่ภายในและรอบๆ ของระบายอากาศ สวมอุปกรณ์ป้องกันดวงตาและหน้ากากกันฝุ่นที่ได้มาตรฐานในขณะที่ดำเนินการขั้นตอนนี้



คำเตือน! ห้ามใช้สารที่เป็นตัวทำละลายหรือสารเคมีที่มีฤทธิ์กัดกร่อนรุนแรงอื่นๆ ทำความสะอาดชิ้นส่วนที่ไม่ใช่โลหะของเครื่องมือ สารเคมีเหล่านี้อาจส่งผลต่อวัสดุที่ใช้ในชิ้นส่วนเหล่านี้ การทำความสะอาดเครื่องให้ใช้สบู่อ่อนและผ้าชุบน้ำหมาดๆ เท่านั้น อย่าให้มีของเหลวเข้าไปภายในเครื่อง การทำความสะอาดด้วยน้ำมันเชื้อเพลิงหรือสารเคมีอื่นๆ และอย่าให้ส่วนหนึ่งส่วนใดของเครื่องจุ่มลงในของเหลว

อุปกรณ์เสริม



คำเตือน! เนื่องจากอุปกรณ์เสริมอื่นนอกเหนือจากที่ Stanley มีจำหน่าย ไม่ได้ผ่านการทดสอบร่วมกับผลิตภัณฑ์นี้ จึงอาจเป็นอันตรายหากใช้ อุปกรณ์เสริมดังกล่าวร่วมกับเครื่องมือนี้ เพื่อเป็นการลดความเสี่ยงจากการได้รับบาดเจ็บ ให้ใช้อุปกรณ์เสริมเฉพาะที่ Stanley แนะนำให้ใช้ร่วมกับผลิตภัณฑ์นี้เท่านั้น ดอกสว่านและดอกสกัด SDS Plus ชนิดต่างๆ มีจำหน่ายเป็นอุปกรณ์เสริม

โปรดติดต่อตัวแทนจำหน่ายหากต้องการข้อมูลเพิ่มเติมเกี่ยวกับอุปกรณ์เสริมที่เหมาะสม

การปกป้องสิ่งแวดล้อม



การเก็บรวบรวมแบบคัดแยก ห้ามทิ้งผลิตภัณฑ์นี้ร่วมกับขยะในครัวเรือนปกติ

หากวันหนึ่งคุณพบว่า จำเป็นต้องเปลี่ยนผลิตภัณฑ์

Stanley ของคุณ หรือถ้าเครื่องมือนี้ไม่เป็นประโยชน์สำหรับคุณอีกต่อไป อยู่ทั้งผลิตภัณฑ์นี้ร่วมกับขยะในครัวเรือน โปรดคัดแยกเพื่อนำไปรีไซเคิลแยกประเภท



การเก็บรวบรวมแบบคัดแยกสำหรับบรรจุภัณฑ์และผลิตภัณฑ์ที่ใช้แล้วทำให้สามารถรีไซเคิลวัสดุและนำมาใช้งานอีกครั้ง การนำวัสดุรีไซเคิลมาใช้อีกครั้งจะช่วยป้องกันมลพิษต่อสิ่งแวดล้อมและลดความต้องการวัตถุดิบ

รัฐบาลในบางประเทศอาจกำหนดให้มีศูนย์กำจัดของเสียของเทศบาลหรือท้องถิ่น หรือร้านค้าปลีกสำหรับผลิตภัณฑ์ใหม่ที่ให้บริการรีไซเคิลผลิตภัณฑ์อิเล็กทรอนิกส์แก่บ้านเรือนต่างๆ

หมายเหตุ

เนื่องจาก Stanley มีนโยบายพัฒนาปรับปรุงผลิตภัณฑ์อย่างต่อเนื่อง ดังนั้น เราจึงขอสงวนสิทธิ์ในการเปลี่ยนแปลงข้อมูลจำเพาะของผลิตภัณฑ์โดยไม่แจ้งให้ทราบล่วงหน้า

อุปกรณ์มาตรฐานและอุปกรณ์เสริมอาจแตกต่างกันในแต่ละประเทศ

ข้อมูลจำเพาะของผลิตภัณฑ์อาจแตกต่างกันในแต่ละประเทศ

ตัวเลือกผลิตภัณฑ์อาจมีจำหน่ายไม่ครบทุกรายการในบางประเทศ โปรดสอบถามตัวเลือกผลิตภัณฑ์จากตัวแทนจำหน่ายของ STANLEY ในประเทศของคุณ

ข้อมูลทางด้านเทคนิค

ส่วนเจาะกระแทก	SHR243	SHR263	SHR264	
แรงดันไฟฟ้า	V	220-240	220-240	220-240
ความถี่	Hz	50/60	50/60	50/60
กำลังไฟเข้า	W	780	800	800
ความเร็วขณะไม่มีโหลด	min ⁻¹	0-1250	0-1150	0-1250
อัตราการกระแทก	bpm	0-4670	0-4300	0-4670
แรงกระแทก(NONEPTA)	J	3.1	3.4	3.4
โมเมนต์		3	3	3
ความสามารถในการเจาะสูงสุด	mm			
- คอนกรีต		24	26	26
- เหล็ก		13	13	13
- ไม้		30	30	30
น้ำหนัก	kg	2.6	2.6	2.7

Mục đích sử dụng

Máy khoan búa xoay SHR243/SHR263/SHR264 SDS Plus của Stanley được thiết kế để khoan các lỗ trên bê tông, gạch, gỗ và thép, đục nhẹ, đục phá và khoan lõi bằng mũi khoan có đầu cacbua hoặc sử dụng để vận vít. Đây là dụng cụ chuyên dụng.

HƯỚNG DẪN AN TOÀN

Cảnh báo chung về an toàn cho dụng cụ điện cầm tay



CẢNH BÁO! Hãy đọc tất cả các cảnh báo và hướng dẫn về an toàn. Việc không tuân thủ các cảnh báo và hướng dẫn có thể gây giật điện, cháy nổ và/hoặc chấn thương nghiêm trọng.

Giữ lại mọi cảnh báo và hướng dẫn để sau này tham khảo. Thuật ngữ “dụng cụ điện cầm tay” trong phần cảnh báo chỉ thiết bị chạy bằng điện nguồn (có dây điện) hoặc thiết bị chạy bằng pin (không có dây điện).

1. An toàn tại nơi làm việc

- Khu vực làm việc phải sạch sẽ và đủ ánh sáng.** Những khu vực bừa bộn hoặc thiếu ánh sáng dễ gây tai nạn.
- Không vận hành dụng cụ điện cầm tay trong các môi trường có chất lỏng, khí hoặc bụi dễ cháy.** Dụng cụ điện cầm tay tạo ra các tia lửa điện có thể gây cháy bụi hoặc bốc khói.
- Không cho trẻ em và những người quan sát lại gần khi đang vận hành dụng cụ điện cầm tay.** Những lúc xao lãng có thể khiến bạn mất kiểm soát.

2. An toàn điện

- Phích cắm của dụng cụ điện cầm tay phải vừa với ổ cắm.** Không được sửa đổi phích cắm dưới bất kỳ hình thức nào. Không được sử dụng các phích cắm tiếp hợp với những dụng cụ điện cầm tay có nối đất. Phích cắm nguyên trạng và ổ cắm phù hợp sẽ giúp giảm nguy cơ bị điện giật.
- Tránh tiếp xúc với các bề mặt được nối đất**

như đường ống, lò sưởi, bếp nướng và tủ lạnh. Nguy cơ bị điện giật sẽ cao hơn nếu cơ thể bạn tiếp xúc trực tiếp với đất.

- Không để các dụng cụ điện cầm tay ngoài trời mưa hoặc ở nơi ẩm ướt.** Nước vào trong dụng cụ điện cầm tay sẽ làm tăng nguy cơ bị điện giật.
- Không dùng dây điện cho các mục đích khác. Tuyệt đối không sử dụng dây điện để mang, kéo hoặc rút phích cắm dụng cụ điện cầm tay.** Để dây điện cách xa nguồn nhiệt, dầu mỡ, các cạnh sắc hoặc các bộ phận chuyển động. Dây điện bị hỏng hoặc bị vướng sẽ làm tăng nguy cơ bị điện giật.
- Khi vận hành dụng cụ điện cầm tay ngoài trời, hãy sử dụng dây nối dài phù hợp để sử dụng ngoài trời.** Sử dụng dây điện phù hợp để sử dụng ngoài trời sẽ giúp giảm nguy cơ bị điện giật.
- Nếu bắt buộc phải vận hành dụng cụ điện cầm tay ở nơi ẩm ướt, hãy sử dụng nguồn được bảo vệ bởi thiết bị ngắt mạch tự động (RCD).** Sử dụng RCD giúp giảm nguy cơ bị điện giật. LƯU Ý: Thuật ngữ “thiết bị ngắt mạch tự động (RCD)” có thể được thay thế bằng “thiết bị ngắt mạch khi rò điện (GFCI)” hoặc “cầu dao chống rò điện đất (ELCB)”.
 - Tránh vô tình bật máy.** Đảm bảo rằng công tắc ở vị trí tắt trước khi nối với nguồn điện và/hoặc pin, khi cầm hoặc mang dụng cụ. Việc cầm dụng cụ điện cầm tay khi ngón tay đặt vào công tắc hoặc sạc pin cho dụng cụ điện cầm

3. An toàn cá nhân

- Hãy tập trung, chú ý vào những gì bạn đang làm và tinh táo khi vận hành dụng cụ điện cầm tay.** Không sử dụng dụng cụ điện cầm tay khi bạn đang mệt hoặc đang bị ảnh hưởng của ma túy, rượu hoặc thuốc. Chỉ một khoảnh khắc mất tập trung trong khi vận hành dụng cụ điện cầm tay cũng có thể dẫn đến chấn thương cá nhân nghiêm trọng.
- Sử dụng thiết bị bảo hộ cá nhân. Luôn đeo kính bảo hộ.** Thiết bị bảo hộ như mặt nạ chống bụi, giày chống trượt, mũ cứng hoặc thiết bị bảo vệ tai - nếu được sử dụng ở những điều kiện phù hợp - sẽ giúp giảm các chấn thương cá nhân.
- Tránh vô tình bật máy.** Đảm bảo rằng công tắc ở vị trí tắt trước khi nối với nguồn điện và/hoặc pin, khi cầm hoặc mang dụng cụ. Việc cầm dụng cụ điện cầm tay khi ngón tay đặt vào công tắc hoặc sạc pin cho dụng cụ điện cầm

tay khi công tắc đang bật có thể gây tai nạn.

- d. **Hãy tháo hết khóa điều chỉnh hoặc cờ lê trước khi bật dụng cụ điện cầm tay.** Không tháo hết cờ lê hoặc khóa ra khỏi bộ phận quay của dụng cụ điện cầm tay có thể dẫn đến chấn thương cá nhân.
- e. **Không được vớ tay. Hãy đứng ở tư thế thích hợp và luôn giữ thăng bằng.** Điều đó giúp kiểm soát dụng cụ điện cầm tay tốt hơn trong các tình huống bất ngờ.
- f. **Mặc quần áo phù hợp. Không mặc quần áo rộng hoặc đeo đồ trang sức. Giữ cho tóc, quần áo và găng tay tránh xa các bộ phận chuyển động.** Quần áo rộng, đồ trang sức hoặc tóc dài có thể bị mắc vào các bộ phận chuyển động.
- g. **Nếu các thiết bị được cung cấp để nối các phương tiện hút hoặc gom bụi, hãy đảm bảo những thiết bị này được nối và sử dụng đúng cách.** Sử dụng thiết bị gom bụi có thể giảm các nguy cơ liên quan đến bụi.

4. Sử dụng và bảo quản dụng cụ điện cầm tay

- a. **Sử dụng dụng cụ điện cầm tay phù hợp. Sử dụng dụng cụ điện cầm tay phù hợp với mục đích của bạn.** Dụng cụ phù hợp sẽ giúp bạn làm việc hiệu quả và an toàn hơn theo đúng tốc độ được thiết kế.
- b. **Không sử dụng dụng cụ điện cầm tay nếu công tắc không bật và tắt được.** Những dụng cụ điện cầm tay không điều khiển được bằng công tắc đều rất nguy hiểm và cần phải được sửa chữa.
- c. **Rút phích cắm dụng cụ điện cầm tay ra khỏi nguồn điện và/hoặc pin ra khỏi dụng cụ điện cầm tay trước khi thực hiện các điều chỉnh, thay phụ kiện hoặc bảo quản dụng cụ điện cầm tay.** Các biện pháp an toàn phòng ngừa đó giúp giảm nguy cơ khởi động dụng cụ điện cầm tay một cách tình cờ.
- d. **Bảo quản các dụng cụ điện cầm tay không sử dụng tránh xa tầm tay trẻ em và không cho phép những người không quen với dụng cụ điện cầm tay hoặc những hướng dẫn này vận hành dụng cụ điện cầm tay.** Dụng cụ điện cầm tay sẽ rất nguy hiểm khi được sử dụng bởi những người chưa được huấn luyện.
- e. **Bảo trì dụng cụ điện cầm tay. Kiểm tra**

các bộ phận di chuyển xem có bị lắp lệch hoặc kẹt không, các bộ phận có bị vỡ không và bất kỳ tình trạng nào khác có thể ảnh hưởng đến việc vận hành dụng cụ điện cầm tay. Nếu dụng cụ điện cầm tay bị hỏng, hãy sửa chữa trước khi sử dụng. Rất nhiều tai nạn xảy ra do công tác bảo trì các dụng cụ điện cầm tay kém.

- f. **Đảm bảo các thiết bị cắt luôn sắc và sạch sẽ.** Các dụng cụ cắt được bảo trì đúng cách với các cạnh cắt sắc sẽ ít bị kẹt hơn và dễ điều khiển hơn.
 - g. **Sử dụng dụng cụ điện cầm tay, các phụ kiện và mũi khoan, v.v.. theo hướng dẫn này, chú ý đến các điều kiện làm việc và công việc cần thực hiện.** Sử dụng dụng cụ điện cầm tay sai mục đích có thể gây nguy hiểm.
- 5. Bảo dưỡng**
- a. **Hãy để nhân viên bảo dưỡng có chuyên môn tiến hành bảo dưỡng dụng cụ điện cầm tay cho bạn và chỉ sử dụng các bộ phận thay thế chính hãng.** Điều này giúp đảm bảo độ an toàn của dụng cụ điện đó.

CẢNH BÁO AN TOÀN DÀNH CHO MÁY KHOAN BÚA ĐA NĂNG

- ◆ **Mang thiết bị bảo vệ tai.** Việc tiếp xúc với tiếng ồn có thể làm giảm thính lực.
- ◆ **Sử dụng tay cầm phụ, nếu được cung cấp kèm theo dụng cụ.** Việc mất khả năng kiểm soát có thể gây chấn thương cá nhân.
- ◆ **Chỉ cầm dụng cụ điện cầm tay ở phần bề mặt tay cầm cách điện khi thực hiện thao tác mà phụ kiện cắt có thể tiếp xúc với hệ thống dây điện chìm hoặc dây điện của chính dụng cụ.** Phụ kiện cắt tiếp xúc với dây “có điện” có thể làm dây điện bị hở và khiến người vận hành bị điện giật.
- ◆ **Tuyệt đối không sử dụng phụ kiện đục đang ở chế độ quay.** Phụ kiện sẽ bị kẹt vào vật liệu và làm quay máy khoan.
- ◆ **Dùng kẹp hay áp dụng một biện pháp thực tế khác nhằm bảo đảm và cố định phôi gia công trên bàn máy.** Giữ phôi bằng tay hay

dựa vào người bạn đều làm cho phổi không vững và có thể dẫn tới mất kiểm soát.

- ◆ Trước khi khoan vào tường, sàn hay trần nhà, hãy kiểm tra vị trí lắp đặt đường dây và đường ống.
- ◆ Tránh chạm vào đầu mũi khoan ngay sau khi khoan để tránh bị bỏng do mũi khoan quá nóng.
- ◆ Mục đích sử dụng được mô tả trong hướng dẫn sử dụng này. Việc sử dụng bất kỳ phụ kiện hay đồ gá hoặc thực hiện bất kỳ thao tác nào với dụng cụ này không theo các mục đích sử dụng khuyến nghị trong hướng dẫn sử dụng này có thể dẫn đến nguy cơ chấn thương cá nhân và/hoặc hư hỏng tài sản.

Lưu ý: Điện áp nguồn: Khi nối với nguồn điện, cần xác định xem điện áp nguồn có phù hợp với điện áp của dụng cụ điện cầm tay hay không. Nếu điện áp nguồn cao hơn điện áp ghi trên dụng cụ điện cầm tay, người dùng có thể bị tai nạn chấn thương nghiêm trọng và dụng cụ có thể bị hỏng. Trái lại, nếu điện áp nguồn thấp hơn điện áp ghi trên dụng cụ điện cầm tay, động cơ có thể bị hỏng.

Do đó, nếu không thể xác định mức điện áp, không được cắm dụng cụ điện cầm tay vào nguồn điện.

CÁC NGUY CƠ KHÁC

Các nguy cơ khác có thể phát sinh khi sử dụng dụng cụ không nằm trong các cảnh báo an toàn đính kèm. Những nguy cơ này có thể phát sinh từ việc sử dụng sai mục đích, sử dụng trong thời gian dài, v.v. Kể cả việc áp dụng các quy tắc an toàn liên quan và dùng các thiết bị an toàn cũng không thể tránh được một số nguy cơ nhất định. Những nguy cơ này gồm:

- ◆ Chấn thương do chạm vào các bộ phận đang chuyển động/đang quay.
- ◆ Chấn thương do thay đổi bất kỳ bộ phận, lưỡi cưa hay phụ kiện nào.
- ◆ Chấn thương do sử dụng dụng cụ trong thời gian dài. Khi sử dụng bất kỳ một dụng cụ nào trong khoảng thời gian dài, bạn phải đảm bảo nghỉ giải lao thường xuyên.
- ◆ Suy giảm thính lực
- ◆ Các mối nguy hại cho sức khỏe do hít phải nhiều bụi khi sử dụng dụng cụ (chẳng hạn: làm việc với gỗ, đặc biệt là gỗ sồi, gỗ dẻ gai

và gỗ ép).

- ◆ Không cho phép những người (bao gồm cả trẻ em) bị suy giảm năng lực thể chất, trí tuệ hoặc cảm giác, hay người thiếu kinh nghiệm và kiến thức sử dụng dụng cụ điện cầm tay này, trừ khi có sự giám sát hoặc hướng dẫn của người chịu trách nhiệm về vấn đề an toàn của họ.
- ◆ Phải giám sát để đảm bảo trẻ không nghịch thiết bị.

KÝ HIỆU TRÊN DỤNG CỤ

Trên thiết bị có các ký hiệu sau cùng với mã ngày:

	CẢNH BÁO! Để giảm nguy cơ chấn thương, người dùng phải đọc hướng dẫn sử dụng.		
	Đeo thiết bị bảo vệ tai.		
	Đeo kính bảo hộ.		
V	Vôn	==	Dòng Một chiều
A	Ampe	n ₀	Tốc độ không tải
Hz	Hertz		Thiết kế cách điện kép
W	Watt		Dây nối đất
min	phút		Biểu tượng cảnh báo an
	Dòng điện xoay chiều	/ph	Số vòng quay hoặc số lần qua lại mỗi phút

Vị trí Mã ngày (Hình A)

Mã ngày (10), bao gồm cả năm sản xuất, được in trên vỏ máy.

Ví dụ:

2017 XX JN
Năm sản xuất

THIẾT BỊ TRONG HỘP

Hộp sản phẩm bao gồm:

1 máy khoan búa xoay công suất cao

1 tay cầm bên

1 Thước đo độ sâu

1 vali phụ kiện

1 Đầu kẹp mũi khoan (Tùy chọn)

1 Mũi khoan (Tùy chọn)

1 Hướng dẫn sử dụng

1 Gôm bụi

1 Đầu kẹp không khóa (SHR264)

- ◆ Kiểm tra dụng cụ, các bộ phận hoặc phụ kiện xem có bị hư hỏng do quá trình vận chuyển hay không.
- ◆ Dành thời gian đọc kỹ và hiểu rõ hướng dẫn sử dụng trước khi vận hành máy.

AN TOÀN ĐIỆN



Bộ sạc của bạn đã được cách điện kép; do vậy không cần dây nối đất. Nhớ kiểm tra xem điện áp nguồn xem có phù hợp với điện áp trên tấm định mức hay không.



Nếu dây cáp điện bị hỏng, việc thay thế phải do nhà sản xuất hoặc trung tâm bảo hành Stanley Black & Decker được ủy quyền thực hiện để tránh gây nguy hiểm.

SỬ DỤNG DÂY NỐI DÀI

Nếu cần sử dụng dây nối dài, vui lòng sử dụng loại được phê duyệt phù hợp với thông số công suất đầu vào của dụng cụ. Tiết diện tối thiểu của dây dẫn là 1,5 mm². Phải gỡ những đoạn dây bị rối trước khi cuộn vào ống.

Tiết diện dây (mm ²)	Dòng điện định mức của dây (Ampere)
0.75	6
1.	10
1.50	15
2.50	20
4.00	25

Chiều dài dây (m)						
	7.5	15	25	30	45	60

Điện áp	Ampe	Dòng điện định mức của dây (Ampe)					
115	0 - 20	6	6	6	6	6	10
	2.1 - 3.4	6	6	6	6	15	15
	3.5 - 5.0	6	6	10	15	20	20
	5.1 - 7.0	10	10	15	20	20	25
	7.1 - 12.0	15	15	20	25	25	-
230	12.1 - 20.0	20	20	25	-	-	-
	0 - 2.0	6	6	6	6	6	6
	2.1 - 3.4	6	6	6	6	6	6
	3.5 - 5.0	6	6	6	6	10	15
	5.1 - 7.0	10	10	10	10	15	15
7.1 - 12.0	15	15	15	15	20	20	
12.1 - 20.0	20	20	20	20	25	-	

TÍNH NĂNG (HÌNH A, HÌNH D, HÌNH F, HÌNH G)

Dụng cụ này gồm một số hoặc tất cả những tính năng sau.

1. Tay cầm chính
2. Nút cố định tốc độ
3. Công tắc điều tốc
4. Cần đảo chiều thuận/ngược
5. Nút chọn chế độ
6. Khớp nối
7. Đầu gài mũi khoan
8. Thước đo độ sâu
9. Tay cầm bên
10. Mã ngày
11. Mũi khoan SDS
12. Đầu kẹp mũi khoan
13. Mũi khoan
14. Gôm bụi
15. Vòng khóa
16. Đầu gài mũi khoan SDS Plus
17. Đầu kẹp không khóa

LẮP RÁP

CẢNH BÁO! Trước khi lắp ráp, đảm bảo đã tắt và rút phích nguồn của dụng cụ.

Gắn tay cầm bên (Hình A)

CẢNH BÁO! Khi sử dụng dụng cụ, vui lòng dùng tay cầm bên (9) để đảm bảo an toàn.

Tay cầm bên (h) có thể được lắp để phù hợp với cả người dùng thuận tay trái và phải.

- ◆ Xoay chốt kẹp ngược chiều kim đồng hồ tới khi nào có thể đẩy tay cầm bên lên phía trước của dụng cụ.
- ◆ Xoay tròn tay cầm vào vị trí mình muốn.
- ◆ Xiết chặt tay cầm bằng cách xoay chốt kẹp theo chiều kim đồng hồ.

CẢNH BÁO! Khi sử dụng dụng cụ, nhớ lắp tay cầm bên đúng cách.

Lắp phụ kiện (Hình A)

- ◆ Lau và tra dầu vào cán (11) của phụ kiện.
- ◆ Lắp mũi phụ kiện vào đầu gài (7).
- ◆ Đẩy phụ kiện xuống dưới và xoay nhẹ cho tới khi phụ kiện khớp vào các khe.
- ◆ Kéo phụ kiện ra để kiểm tra xem đã khóa chặt chưa. Chức năng đập và khoan đòi hỏi phụ kiện phải có khả năng di chuyển theo trục vài centimet khi bị khóa vào đầu gài.
- ◆ Để tháo phụ kiện, kéo ngược ống nối (6) và kéo phụ kiện ra khỏi đầu gài.

Lắp gom bụi (Hình F)

- ◆ Lắp thanh phụ kiện (11) vào gom bụi (14), sau đó lắp thanh phụ kiện (11) với gom bụi vào kẹp dụng cụ (7).
- ◆ Chỉ cần dùng thiết bị hướng lên trên để sử dụng gom bụi như Hình F.

SỬ DỤNG

CẢNH BÁO! Luôn đeo găng tay khi thay phụ kiện. Các bộ phận kim loại hở trên dụng cụ và phụ kiện có thể trở nên rất nóng trong quá trình vận hành.

Vui lòng vận hành dụng cụ với mức tải thông thường. Không được chạy quá tải. Không được

lạm dụng dụng cụ, vui lòng tham khảo hướng dẫn sử dụng để sử dụng dụng cụ đúng cách.

CẢNH BÁO! Trước khi khoan vào tường, sàn hay trần nhà, hãy kiểm tra vị trí lắp đặt đường dây điện và đường ống.

Thiết lập độ sâu khoan (Hình A)

Thước đo độ sâu là tính năng thuận tiện giúp đảm bảo tính đồng đều về độ sâu mũi khoan. Nới lỏng tay cầm bên để điều chỉnh thước đo độ sâu theo mong muốn. Sau đó, vặn chặt tay cầm bên.

- ◆ Nới lỏng tay cầm bên (9) bằng cách xoay chốt kẹp ngược chiều kim đồng hồ.
- ◆ Đặt thước đo độ sâu (8) ở vị trí mong muốn. Độ sâu khoan tối đa bằng khoảng cách từ đầu mũi khoan cho tới đầu phía trước của thước đo độ sâu.
- ◆ Xiết chặt tay cầm bằng cách xoay chốt kẹp theo chiều kim đồng hồ.

Bật và tắt (Hình A)

CẢNH BÁO! Trước khi cắm dụng cụ vào nguồn điện, đảm bảo công tắc có thể bật dễ dàng và có thể trở lại vị trí cũ sau khi nhả tay ra. Vui lòng kiểm tra xem công tắc có ở vị trí khóa không trước khi bật và đảm bảo công tắc không được khóa trước khi cắm dụng cụ vào nguồn điện.

- ◆ Để bật dụng cụ, ấn công tắc điều tốc (3). Tốc độ của dụng cụ phụ thuộc vào lực ấn công tắc của bạn.
- ◆ Thông thường, chạy máy khoan ở tốc độ thấp đối với các mũi khoan có đường kính lớn và chạy máy khoan ở tốc độ cao đối với các mũi khoan có đường kính nhỏ hơn.
- ◆ Để khoan liên tục, nhấn nút khóa công tắc (2) rồi nhả công tắc điều tốc.
- ◆ Để tắt dụng cụ, nhả công tắc điều tốc. Để tắt dụng cụ khi hoạt động liên tục, hãy ấn công tắc điều tốc thêm một lần nữa và nhả ra.

CẢNH BÁO! Khi người dùng rời khỏi hoặc cầm, vận chuyển, di chuyển và định vị dụng cụ, hãy đảm bảo đã tắt dụng cụ và rút dây nguồn khỏi ổ điện.

Lắp đầu kẹp mũi khoan (Hình D) (SHR243, SHR263)

Phụ kiện tùy chọn

- ◆ Lắp đầu kẹp mũi khoan (12) vào đầu kẹp của dụng cụ (7) theo hướng dẫn lắp mũi khoan.
- ◆ Vận đầu kẹp mũi khoan để nối lỏng các đầu gài tại điểm kẹp mũi khoan, sau đó lắp thanh phụ kiện (13) vào các đầu gài và vận đầu kẹp theo chiều ngược lại.
- ◆ Bạn cũng có thể sử dụng khóa đầu kẹp mũi khoan để vận chặt đầu gài.



Cảnh báo: Tuyệt đối không sử dụng đầu kẹp chuẩn ở chế độ khoan búa

Thay thế đầu gài mũi khoan SDS Plus bằng đầu kẹp không khóa (Hình G)(SHR264)

- ◆ Xoay vòng khóa (15) vào vị trí mở khóa rồi kéo đầu gài mũi khoan SDS Plus (16) ra.
- ◆ Đẩy đầu kẹp không khóa (17) lên trục máy và xoay vòng khóa (15) sang vị trí khóa. Để thay thế đầu kẹp không khóa bằng đầu gài mũi khoan SDS Plus, trước tiên, hãy tháo đầu kẹp không khóa giống như cách bạn vừa tháo đầu gài mũi khoan. Sau đó, lắp đầu gài mũi khoan vào giống như cách bạn lắp đầu kẹp không khóa, đảm bảo xoay vòng khóa vào vị trí khóa.



Cảnh báo: Tuyệt đối không sử dụng đầu kẹp chuẩn ở chế độ khoan búa

Lựa chọn chế độ vận hành (Hình B)

Có thể sử dụng dụng cụ ở các chế độ vận hành sau:



Khoan xoay: để vận vít và khoan thép, gỗ và nhựa



Khoan búa: để khoan bê tông và tường. Xoay mũi khoan: vị trí không hoạt động chỉ được sử dụng để xoay mũi khoan phẳng vào vị trí mong muốn



Chì đập búa: để đục, đục và phá các công trình hạng nhẹ. Ở chế độ này, bạn cũng có thể sử dụng dụng cụ như một đòn bẩy để gỡ mũi khoan bị kẹt.

1. Để chọn chế độ vận hành, ấn nút chọn chế độ rồi xoay nút chọn chế độ (5) cho tới khi chỉ vào biểu tượng chế độ cần thiết.

2. Nhả nút chọn chế độ rồi kiểm tra xem nút chọn chế độ đã được khóa vào đúng vị trí hay chưa.



CẢNH BÁO! Không chọn chế độ vận hành khi dụng cụ đang chạy.

Vị trí tay phù hợp (Hình A, E)



CẢNH BÁO! Để giảm nguy cơ chấn thương cá nhân nghiêm trọng, LUÔN để tay ở vị trí phù hợp như hình vẽ.



CẢNH BÁO! Để giảm nguy cơ chấn thương cá nhân nghiêm trọng, LUÔN giữ chặt tay để tránh trường hợp bị giật lại đột ngột.

Vị trí tay phù hợp yêu cầu một tay đặt lên tay cầm bên (9), còn tay kia đặt lên tay cầm chính (1).

Khoan xoay (Hình B, C1/C2,D,G)

- ◆ Để khoan thép, gỗ và nhựa, hoặc bắt vít, thiết lập nút chọn chức năng khoan (5) vào vị trí
- ◆ Thực hiện một trong hai hướng dẫn bên dưới tùy thuộc vào dụng cụ của bạn:

SHR264: Thay thế đầu gài mũi khoan SDS Plus (16) bằng đầu kẹp không khóa (17).

SHR243/SHR263: Lắp bộ phận đầu kẹp mũi khoan (12).

- ◆ Lắp mũi khoan phù hợp. Khi vận vít đầu xẻ rãnh, luôn sử dụng mũi bắt vít có khớp nối định hướng.
- ◆ Để khoan vào thép, gỗ và nhựa, hãy đặt tay gạt thuận/ngược (4) vào vị trí thuận (Hình C1). Khi sử dụng chức năng bắt vít để siết chặt vít, hãy đặt tay gạt thuận/ngược (4) vào vị trí thuận (Hình C1) và nối lỏng định vít, đặt tay gạt thuận/ngược (4) vào vị trí ngược (Hình C2).

CẢNH BÁO! Không sử dụng đầu kẹp khoan ở chế độ khoan búa.

Chế độ khoan búa (Hình B)

- ◆ Để khoan tường và bê tông bằng chế độ khoan búa, thiết lập công tắc chọn chế độ vận hành (5) vào vị trí
- ◆ Mũi khoan phải được đặt đúng vào vị trí lỗ khoan. Sau đó, kéo công tắc để có được tác động tối ưu. Nhớ đặt dụng cụ ở vị trí phù

hợp để tránh cho mũi khoan chệch khỏi lỗ.


- ◆ Khi lỗ khoan bị tắc bởi mảnh vụn hoặc hạt mịn, không nên tiếp tục ấn xuống nữa. Nên để dụng cụ ở trạng thái chạy tự do trước khi rút mũi khoan khỏi lỗ. Nếu lặp lại động tác đó trong vài phút, lỗ sẽ hết bị tắc và có thể tiếp tục khoan bình thường.

CẢNH BÁO! Khi mũi khoan chạm vào xi măng hoặc cốt thép trong xi măng, dụng cụ có thể giật ngược gây nguy hiểm. Luôn giữ chắc dụng cụ ở vị trí cân bằng và ổn định để tránh cho dụng cụ khỏi giật ngược gây nguy hiểm.

Thiết bị ghép nối quá tải

Nếu mũi khoan bị kẹt hoặc mắc, lực truyền tới trục máy khoan sẽ bị dừng. Việc này sẽ làm cho dụng cụ giật ngược lại rất mạnh, vì vậy cần giữ chặt dụng cụ bằng cả hai tay cố định ở vị trí chắc chắn.

Đeo và đục (hình B)

- ◆ Xoay nút chọn chế độ (5) tới vị trí “đục” .
- ◆ Lắp mũi đục phù hợp rồi dùng tay xoay mũi đục để khóa mũi đục vào vị trí.
- ◆ Điều chỉnh tay cầm bên (9) nếu cần.
- ◆ Bật dụng cụ và tắt đầu làm việc.
- ◆ Luôn tắt dụng cụ khi kết thúc công việc và trước khi rút nguồn.



CẢNH BÁO! Không sử dụng dụng cụ này để trộn hoặc bơm các chất lỏng dễ cháy hoặc dễ nổ (xăng, cồn, v.v.). Không trộn hoặc khuấy chất lỏng dễ cháy được dán nhãn tương ứng.

Phụ kiện

Hiệu suất làm việc của dụng cụ tùy thuộc vào phụ kiện được sử dụng. Phụ kiện của Stanley được chế tạo theo tiêu chuẩn chất lượng cao và được thiết kế nhằm tăng cường hiệu suất làm việc cho dụng cụ của bạn. Dụng cụ của bạn sẽ phát huy tối đa hiệu quả làm việc khi sử dụng các phụ kiện này.

BẢO TRÌ

Dụng cụ/thiết bị có dây/không dây của Stanley được thiết kế để vận hành trong thời gian dài và ít

phải bảo trì nhất. Để đảm bảo vận hành dễ dàng, phải bảo trì và vệ sinh dụng cụ thường xuyên



CẢNH BÁO: Để giảm nguy cơ chấn thương, hãy tắt dụng cụ và ngắt nguồn điện trước khi tiến hành tháo lắp phụ kiện, trước khi điều chỉnh hoặc thay đổi chế độ cài đặt hoặc khi tiến hành sửa chữa. Đảm bảo công tắc khởi động ở vị trí OFF. Việc vô tình khởi động có thể gây chấn thương.

- ◆ Người dùng không được tự ý bảo trì máy. Nếu xảy ra sự cố, hãy liên hệ với đại lý sửa chữa được ủy quyền.
- ◆ Dụng cụ sẽ tự động tắt khi chổi than bị mòn. **CẢNH BÁO:** Trước khi bảo dưỡng các dụng cụ điện cầm tay có dây/không dây:
- ◆ Tắt và rút dây nguồn của dụng cụ/thiết bị.
- ◆ Hoặc tắt rồi tháo pin ra khỏi thiết bị/dụng cụ nếu thiết bị/dụng cụ có pin rời.
- ◆ Hoặc chạy hết sạch pin nếu là loại pin tích hợp sẵn, sau đó tắt máy.
- ◆ Rút phích cắm bộ sạc ra trước khi vệ sinh. Bộ sạc không cần bảo dưỡng nhưng phải thường xuyên lau chùi.
- ◆ Thường xuyên lau chùi các khe thông gió trong thiết bị/dụng cụ/bộ sạc bằng chổi mềm hoặc khăn khô.
- ◆ Thường xuyên lau chùi vỏ động cơ bằng khăn ẩm.
- ◆ Không dùng chất tẩy rửa có chứa dung môi hay chất mài mòn.
- ◆ Thường xuyên mở đầu kẹp và vỏ nhẹ để trừ bụi ở bên trong ra (khi lắp).



Tra dầu

Dụng cụ điện cầm tay này không cần tra thêm dầu.

Phải thường xuyên tra dầu cho các phụ kiện và đồ gá sử dụng gắn thiết bị SDS Plus.



Vệ sinh



CẢNH BÁO! Thường xuyên thổi bụi bẩn khỏi vỏ dụng cụ khi thấy bám bụi xung quanh các khe



thông gió. Đeo kính bảo hộ và mặt nạ chống bụi được phê duyệt khi thực hiện quy trình này.

CẢNH BÁO! Tuyệt đối không sử dụng các dung môi và hóa chất mạnh để vệ sinh các bộ phận không làm bằng kim loại của dụng cụ. Những hóa chất này có thể làm tổn hại đến vật liệu của các bộ phận. Chỉ sử dụng xà bông nhẹ và miếng bọt biển để vệ sinh dụng cụ. Tuyệt đối không để chất lỏng lọt vào bên trong dụng cụ, vệ sinh bằng xăng dầu hay chất hóa học khác, không được ngâm các bộ phận của dụng cụ vào chất lỏng.

Phụ kiện tùy chọn



CẢNH BÁO! Vì các phụ kiện, ngoài các phụ kiện do Stanley cung cấp, chưa được kiểm tra với sản phẩm này nên việc sử dụng chúng cùng với dụng cụ này có thể gây nguy hiểm. Để giảm nguy cơ chấn thương, chỉ được sử dụng các phụ kiện do Stanley khuyến nghị cho sản phẩm này.

Có nhiều loại mũi khoan và mũi đục SDS Plus khác nhau để bạn lựa chọn.

Hỏi ý kiến đại lý bạn để biết thêm thông tin về các phụ kiện phù hợp.

Bảo vệ môi trường



Thu gom riêng. Không được vứt bỏ sản phẩm này với rác thải sinh hoạt thông thường.

Nếu sản phẩm Stanley của bạn cần phải thay thế, hoặc bạn không sử dụng nó trong tương lai nữa, hãy nghĩ đến việc bảo vệ môi trường. Hãy phân loại chúng để tái chế riêng.



Thu gom riêng sản phẩm và bao bì đóng gói đã qua sử dụng sẽ cho phép tái chế và tái sử dụng vật liệu. Tái sử dụng vật liệu tái chế giúp ngăn chặn ô nhiễm môi trường và giảm nhu cầu vật liệu thô.

Một số cơ quan địa phương có thể yêu cầu các trung tâm xử lý rác thải địa phương hoặc đô thị hay nhà bán lẻ sản phẩm mới phải cung cấp dịch vụ tái chế sản phẩm điện tử cho các hộ gia đình.

Lưu ý

Chính sách của STANLEY không ngừng cải thiện với các sản phẩm và do đó, chúng tôi có quyền thay đổi thông số kỹ thuật sản phẩm mà không cần báo trước.

Các thiết bị và phụ kiện chuẩn có thể khác nhau tùy theo từng quốc gia.

Thông số kỹ thuật của sản phẩm có thể khác nhau tùy theo từng quốc gia.

Danh mục sản phẩm hoàn chỉnh có thể không có mặt tại tất cả các quốc gia. Liên hệ với các đại lý của STANLEY tại quốc gia bạn để được cung cấp danh mục sản phẩm.

DỮ LIỆU KỸ THUẬT

KHOAN BÚA		SHR243	SHR263	SHR264
Điện áp	V	220-240	220-240	220-240
Tần số	Hz	50/60	50/60	50/60
Công suất đầu vào	W	780	800	800
Tốc độ không tải	min ⁻¹	0-1250	0-1150	0-1250
Tốc độ va đập	bpm	0-4670	0-4300	0-4670
Lực đập(NONEPTA)	J	3.1	3.4	3.4
Chế độ		3	3	3
Kích thước khoan tối đa	mm			
- Bê tông		24	26	26
- Thép		13	13	13
- Gỗ		30	30	30
Trọng lượng	kg	2.6	2.6	2.7