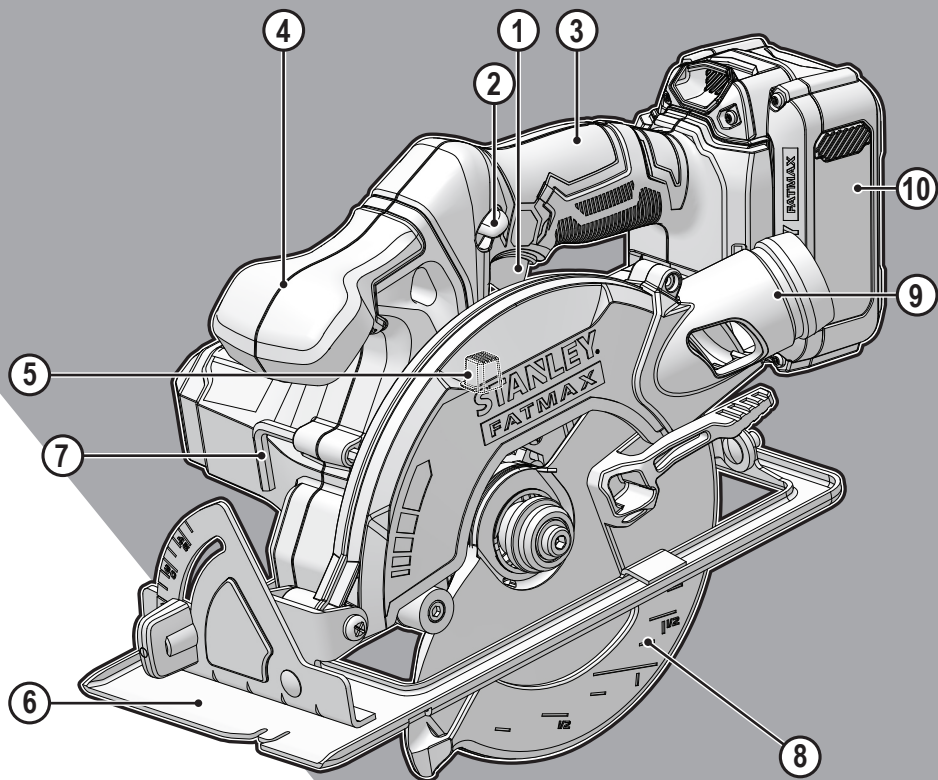
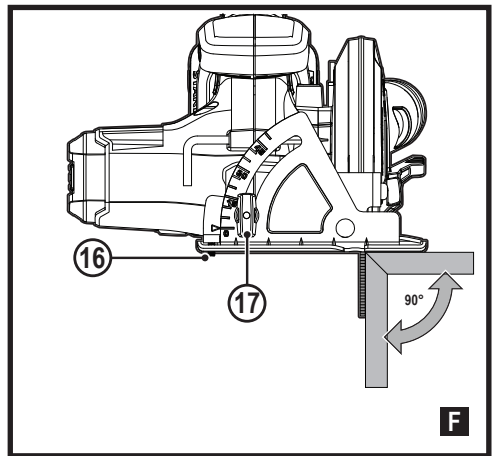
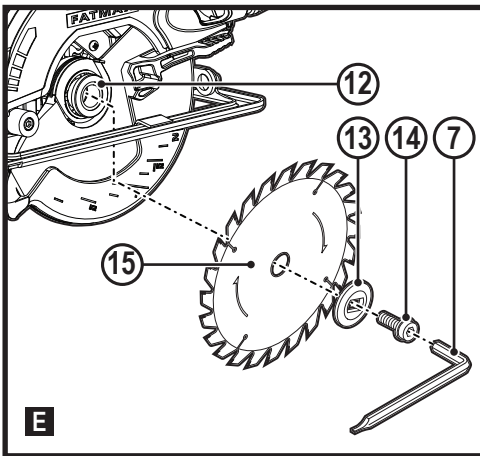
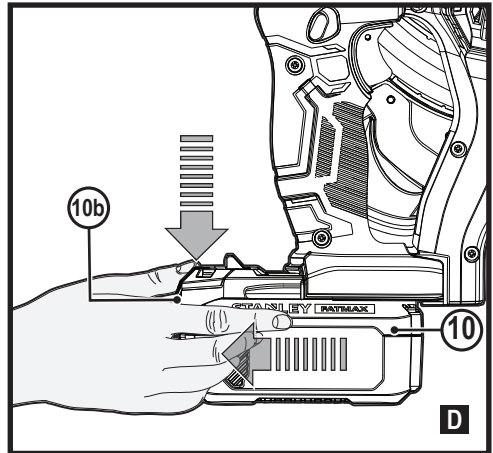
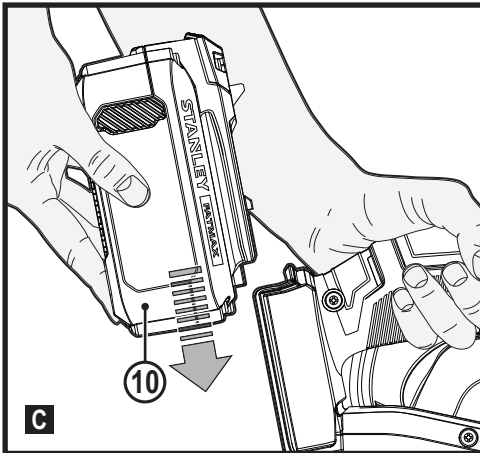
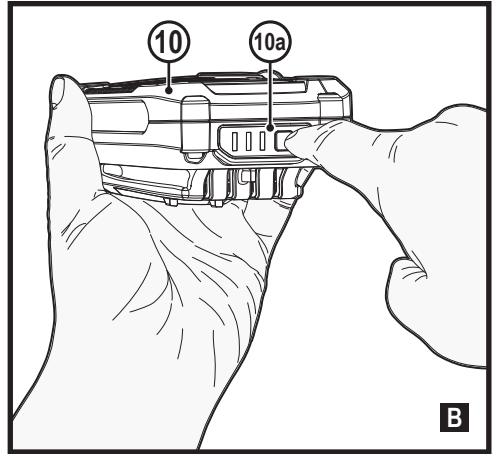
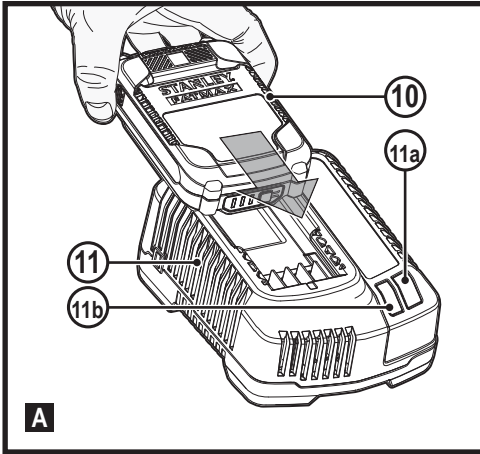
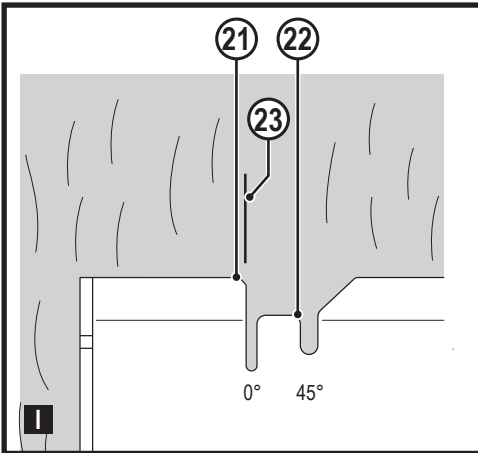
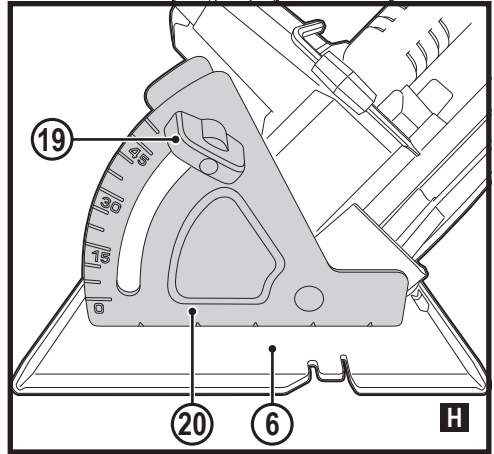
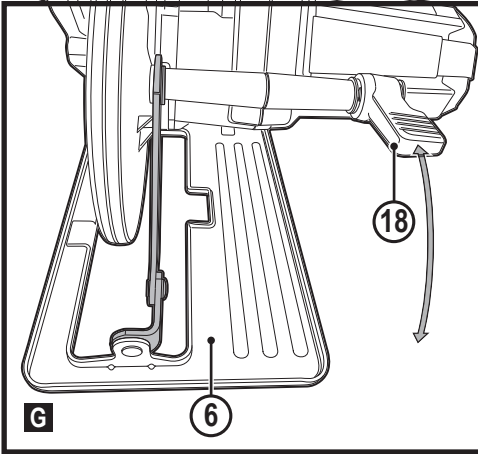


# STANLEY<sup>®</sup> FATMAX<sup>™</sup> V20 LITHIUM ION



English ( <i>original instructions</i> )	4
繁體中文	12
한국어	17
Bahasa Indonesia	23
ภาษาไทย	31
TIẾNG VIỆT	39





The term "power tool" in all of the warnings listed below refers to your mains operated (corded) power tool or battery operated (cordless) power tool.

1. **Work area safety**
  - a. **Keep work area clean and well lit.** Cluttered or dark areas invite accidents.
  - b. **Do not operate power tools in explosive atmospheres, such as in the presence of flammable liquids, gases or dust.** Power tools create sparks which may ignite the dust or fumes.
  - c. **Keep children and bystanders away while operating a power tool.** Distractions can cause you to lose control.
2. **Electrical safety**
  - a. **Power tool plugs must match the outlet. Never modify the plug in any way. Do not use any adapter plugs with earthed (grounded) power tools.** Unmodified plugs and matching outlets will reduce risk of electric shock.
  - b. **Avoid body contact with earthed or grounded surfaces such as pipes, radiators, ranges and refrigerators.** There is an increased risk of electric shock if your body is earthed or grounded.
  - c. **Do not expose power tools to rain or wet conditions.** Water entering a power tool will increase the risk of electric shock.
  - d. **Do not abuse the cord. Never use the cord for carrying, pulling or unplugging the power tool. Keep cord away from heat, oil, sharp edges or moving parts.** Damaged or entangled cords increase the risk of electric shock.
  - e. **When operating a power tool outdoors, use an extension cord suitable for outdoor use.** Use of a cord suitable for outdoor use reduces the risk of electric shock.

**Intended use**

Your STANLEY FATMAX SCC500 circular saw has been designed for for sawing wood and wood products. This tool is intended for professional and private, non professional users.

**Safety instructions**

**General power tool safety warnings**



**Warning!** Read all safety warnings, instructions, illustrations and specifications provided with this power tool. Failure to follow all instructions listed below may result in electric shock, fire and/or serious injury.

Save all warnings and instructions for future reference.

- f. **If operating a power tool in a damp location is unavoidable, use a residual current device (RCD) protected supply.** Use of an RCD reduces the risk of electric shock.
3. **Personal safety**
- a. **Stay alert, watch what you are doing and use common sense when operating a power tool. Do not use a power tool while you are tired or under the influence of drugs, alcohol or medication.** A moment of inattention while operating power tools may result in serious personal injury.
- b. **Use personal protective equipment. Always wear eye protection.** Protective equipment such as dust mask, non-skid safety shoes, hard hat, or hearing protection used for appropriate conditions will reduce personal injuries.
- c. **Prevent unintentional starting. Ensure the switch is in the off-position before connecting to power source and/or battery pack, picking up or carrying the tool.** Carrying power tools with your finger on the switch or energising power tools that have the switch on invites accidents.
- d. **Remove any adjusting key or wrench before turning the power tool on.** A wrench or a key left attached to a rotating part of the power tool may result in personal injury.
- e. **Do not overreach. Keep proper footing and balance at all times.** This enables better control of the power tool in unexpected situations.
- f. **Dress properly. Do not wear loose clothing or jewellery. Keep your hair and clothing away from moving parts.** Loose clothes, jewellery or long hair can be caught in moving parts.
- g. **If devices are provided for the connection of dust extraction and collection facilities, ensure these are connected and properly used.** Use of dust collection can reduce dust-related hazards.
- h. **Do not let familiarity gained from frequent use of tools allow you to become complacent and ignore tool safety principles.** A careless action can cause severe injury within a fraction of a second.
4. **Power tool use and care**
- a. **Do not force the power tool. Use the correct power tool for your application.** The correct power tool will do the job better and safer at the rate for which it was designed.
- b. **Do not use the power tool if the switch does not turn it on and off.** Any power tool that cannot be controlled with the switch is dangerous and must be repaired.
- c. **Disconnect the plug from the power source and/or remove the battery pack, if detachable, from the power tool before making any adjustments, changing accessories, or storing power tools.** Such preventive safety measures reduce the risk of starting the power tool accidentally.
- d. **Store idle power tools out of the reach of children and do not allow persons unfamiliar with the power tool or these instructions to operate the power tool.** Power tools are dangerous in the hands of untrained users.
- e. **Maintain power tools and accessories. Check for misalignment or binding of moving parts, breakage of parts and any other condition that may affect the power tools operation. If damaged, have the power tool repaired before use.** Many accidents are caused by poorly maintained power tools.
- f. **Keep cutting tools sharp and clean.** Properly maintained cutting tools with sharp cutting edges are less likely to bind and are easier to control.
- g. **Use the power tool, accessories and tool bits etc. in accordance with these instructions, taking into account the working conditions and the work to be performed.** Use of the power tool for operations different from those intended could result in a hazardous situation.
- h. **Keep handles and grasping surfaces dry, clean and free from oil and grease. Slippery handles and grasping surfaces do not allow for safe handling and control of the tool in unexpected situations.**
5. **Battery tool use and care**
- a. **Recharge only with the charger specified by the manufacturer.** A charger that is suitable for one type of battery pack may create a risk of fire when used with another battery pack.
- b. **Use power tools only with specifically designated battery packs.** Use of any other battery packs may create a risk of injury and fire.
- c. **When battery pack is not in use, keep it away from other metal objects, like paper clips, coins, keys, nails, screws, or other small metal objects, that can make a connection from one terminal to another.** Shorting the battery terminals together may cause burns or a fire.
- d. **Under abusive conditions, liquid may be ejected from the battery; avoid contact. If contact accidentally occurs, flush with water. If liquid contacts eyes, additionally seek medical help.** Liquid ejected from the battery may cause irritation or burns.
- e. **Do not use a battery pack or tool that is damaged or modified.** Damaged or modified batteries may exhibit unpredictable behaviour resulting in fire, explosion or risk of injury.

- f. Do not expose a battery pack or tool to fire or excessive temperature. Exposure to fire or temperature above 130 °C may cause explosion.
  - g. Follow all charging instructions and do not charge the battery pack or tool outside the temperature range specified in the instructions. Charging improperly or at temperatures outside the specified range may damage the battery and increase the risk of fire.
6. Service
- a. Have your power tool serviced by a qualified repair person using only identical replacement parts. This will ensure that the safety of the power tool is maintained.
  - b. Never service damaged BATTERY packs. Service of BATTERY packs should only be performed by the manufacturer or authorized service providers.

### Additional Safety instructions for all saws

#### Cutting procedures

- DANGER! Keep hands away from cutting area and the blade. Keep your second hand on auxiliary handle, or motor housing. If both hands are holding the saw, they cannot be cut by the blade.
- Do not reach underneath the workpiece. The guard cannot protect you from the blade below the workpiece.
- Adjust the cutting depth to the thickness of the workpiece. Less than a full tooth of the blade teeth should be visible below the workpiece.
- Never hold piece being cut in your hands or across your leg. Secure the workpiece to a stable platform. It is important to support the work properly to minimize body exposure, blade binding, or loss of control.
- Hold the power tool by insulated gripping surfaces only, when performing an operation where the cutting tool may contact hidden wiring. Contact with a "live" wire will also make exposed metal parts of the power tool "live" and could give the operator an electric shock.
- When ripping, always use a rip fence or straight edge guide. This improves the accuracy of cut and reduces the chance of blade binding.
- Always use blades with correct size and shape (diamond versus round) of arbour holes. Blades that do not match the mounting hardware of the saw will run eccentrically, causing loss of control.
- Never use damaged or incorrect blade washers or bolt. The blade washers and bolt were specially designed for your saw, for optimum performance and safety of operation.

### Further safety instructions for all saws

#### Kickback causes and related warnings

- kickback is a sudden reaction to a pinched, bound or misaligned saw blade, causing an uncontrolled saw to lift up and out of the workpiece toward the operator;
- when the blade is pinched or bound tightly by the kerf closing down, the blade stalls and the motor reaction drives the unit rapidly back toward the operator;
- if the blade becomes twisted or misaligned in the cut, the teeth at the back edge of the blade can dig into the top surface of the wood causing the blade to climb out of the kerf and jump back toward the operator.

Kickback is the result of saw misuse and/or incorrect operating procedures or conditions and can be avoided by taking proper precautions as given below.

- a. Maintain a firm grip with both hands on the saw and position your arms to resist kickback forces. Position your body to either side of the blade, but not in line with the blade. Kickback could cause the saw to jump backwards, but kickback forces can be controlled by the operator, if proper precautions are taken.
- b. When blade is binding, or when interrupting a cut for any reason, release the trigger and hold the saw motionless in the material until the blade comes to a complete stop. Never attempt to remove the saw from the work or pull the saw backward while the blade is in motion or kickback may occur. Investigate and take corrective actions to eliminate the cause of blade binding.
- c. When restarting a saw in the workpiece, centre the saw blade in the kerf and check that saw teeth are not engaged into the material. If saw blade is binding, it may walk up or kickback from the workpiece as the saw is restarted.
- d. Support large panels to minimise the risk of blade pinching and kickback. Large panels tend to sag under their own weight. Supports must be placed under the panel on both sides, near the line of cut and near the edge of the panel.
- e. Do not use dull or damaged blades. Unsharpened or improperly set blades produce narrow kerf causing excessive friction, blade binding and kickback.
- f. Blade depth and bevel adjusting locking levers must be tight and secure before making cut. If blade adjustment shifts while cutting, it may cause binding and kickback.
- g. Use extra caution when sawing into existing walls or other blind areas. The protruding blade may cut objects that can cause kickback.

## Lower guard function

- Check lower guard for proper closing before each use.**  
Do not operate the saw if lower guard does not move freely and close instantly. Never clamp or tie the lower guard into the open position. If saw is accidentally dropped, lower guard may be bent. Raise the lower guard with the retracting handle and make sure it moves freely and does not touch the blade or any other part, in all angles and depths of cut.
- Check the operation of the lower guard spring. If the guard and the spring are not operating properly, they must be serviced before use.** Lower guard may operate sluggishly due to damaged parts, gummy deposits, or a build-up of debris.
- Lower guard may be retracted manually only for special cuts such as "plunge cuts" and "compound cuts".** Raise lower guard by retracting handle and as soon as blade enters the material, the lower guard must be released. For all other sawing, the lower guard should operate automatically.
- Always observe that the lower guard is covering the blade before placing saw down on bench or floor.** An unprotected, coasting blade will cause the saw to walk backwards, cutting whatever is in its path. Be aware of the time it takes for the blade to stop after switch is released.

## Safety of others

- This tool is not intended for use by persons (including children) with reduced physical, sensory or mental capabilities, or lack of experience and knowledge, unless they have been given supervision or instruction concerning use of the appliance by a person responsible for their safety.
- Children should be supervised to ensure that they do not play with the appliance.

## Residual risks

Additional residual risks may arise when using the tool which may not be included in the enclosed safety warnings. These risks can arise from misuse, prolonged use etc.

Even with the application of the relevant safety regulations and the implementation of safety devices, certain residual risks can not be avoided. These include:










- Injuries caused by touching any rotating/moving parts.
- Injuries caused when changing any parts, blades or accessories.
- Injuries caused by prolonged use of a tool. When using any tool for prolonged periods ensure you take regular breaks.
- Impairment of hearing.
- Health hazards caused by breathing dust developed when using your tool (example:- working with wood, especially oak, beech and MDF.)

## Saw blades

- Do not use blades of larger or smaller diameter than recommended. For the proper blade rating refer to the technical data. Use only the blades specified in this manual, complying with EN 847-1.
- Warning! Never use abrasive wheels.**

## Labels on tool

The label on your tool may include the following symbols:

	WARNING! To reduce the risk of injury, the user must read the instruction manual before use.		
	Wear safety glasses or goggles.		
	Wear ear protection.		
	Wear a dust mask.		
V	Volts		Direct Current
A	Amperes	$n_0$	No-Load Speed
Hz	Hertz		Class II Construction
W	Watts		Earthing Terminal
min	minutes		Safety Alert Symbol
	Alternating Current	/min.	Revolutions or Reciprocation per minute

## Position of date code

The Date Code, which also includes the year of manufacture, is printed into the housing.

Example:

2020 XX JN  
Year of manufacturing

## Additional safety instructions for batteries and chargers

### Batteries

- Never attempt to open for any reason.
- Do not expose the battery to water.
- Do not store in locations where the temperature may exceed 40 °C.



- Charge only at ambient temperatures between 10 °C and 40 °C.
- Charge only using the charger provided with the tool.
- When disposing of batteries, follow the instructions given in the section "Protecting the environment".



**Warning!** Let the tool work at its own pace. Do not overload.

**Charging the battery (Fig. A)**

The battery needs to be charged before first use and whenever it fails to produce sufficient power on jobs that were easily done before. The battery may become warm while charging; this is normal and does not indicate a problem.



**Warning!** Do not charge the battery at ambient temperatures below 10 °C or above 40 °C. Recommended charging temperature: approx. 24 °C.

**Note: The charger will not charge a battery if the cell temperature is below approximately 10 °C or above 40 °C. The battery should be left in the charger and the charger will begin to charge automatically when the cell temperature warms up or cools down.**

**Note:** To ensure maximum performance and life of lithium-ion battery packs, charge the battery pack fully before first use.

- Plug the charger (11) into an appropriate outlet before inserting battery pack (10).
- The green charging light (11a) will blink continuously indicating that the charging process has started.
- The completion of charge will be indicated by the green charging light (11a) remaining ON continuously. The battery pack (10) is fully charged and may be removed and used at this time or left in the charger (11).
- Charge discharged batteries within 1 week. Battery life will be greatly diminished if stored in a discharged state.

**Charger LED Modes**

	Charging: Green LED Intermittent	
	Fully Charged: Green LED Solid	
	Hot/Cold Pack Delay: Green LED Intermittent Red LED Solid	

**Note:** The compatible charger(s) will not charge a faulty battery pack. The charger will indicate a faulty battery pack by refusing to light.

**Note:** This could also mean a problem with a charger. If the charger indicates a problem, take the charger and battery pack to be tested at an authorized service centre.

**Chargers**

- Use your STANLEY FATMAX charger only to charge the battery in the tool with which it was supplied. Other batteries could burst, causing personal injury and damage.
- Never attempt to charge non-rechargeable batteries.
- Have defective cords replaced immediately.
- Do not expose the charger to water.
- Do not open the charger.
- Do not probe the charger.



The charger is intended for indoor use only.



Read the instruction manual before use.



Do not attempt to charge damaged batteries.

**Electrical safety**

Your charger is double insulated; therefore no earth wire is required. Always check that the mains voltage corresponds to the voltage on the rating plate. Never attempt to replace the charger unit with a regular mains plug.



- If the supply cord is damaged, it must be replaced by the manufacturer or an authorised STANLEY FATMAX Service Centre in order to avoid a hazard.



**Warning!** Never attempt to replace the charger unit with a regular mains plug.

**Features**

This appliance includes some or all of the following features.

1. On/off switch
2. Lock-off button
3. Main handle
4. Secondary handle
5. Spindle lock button
6. Shoe
7. Allen key
8. Lower guard
9. Saw dust outlet
10. Battery

**Use**



## Leaving the battery in the charger

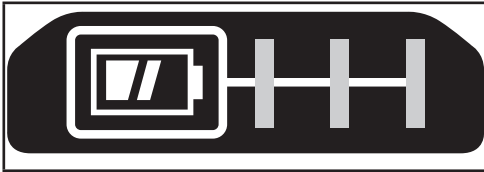
The charger and battery pack can be left connected with the LED glowing indefinitely. The charger will keep the battery pack fresh and fully charged.

## Hot/Cold Pack Delay

When the charger detects a battery that is too hot or too cold, it automatically starts a Hot/Cold Pack Delay, the green LED (11a) will flash intermittently, while the red LED (11b) will remain on continuously, suspending charging until the battery has reached an appropriate temperature. The charger then automatically switches to the pack charging mode. This feature ensures maximum battery life.

## Battery state of charge indicator (Fig. B)

The battery includes a state of charge indicator to quickly determine the extent of battery life as shown in figure B. By pressing the state of charge button (10a) you can easily view the charge remaining in the battery as illustrated in figure B.



## Installing and Removing the Battery Pack from the tool



**Warning!** Make certain the lock-off button is engaged to prevent switch actuation before removing or installing battery.

### To install battery pack (Fig. C)

- Insert battery pack firmly into tool until an audible click is heard as shown in figure C. Ensure battery pack is fully seated and fully latched into position.

### To remove battery pack (Fig. D)

- Depress the battery release button (10b) as shown in figure D and pull battery pack out of tool.

## Removing and fitting a saw blade (Fig. E)

### Removing

- Keep the spindle lock button (5) depressed and rotate the blade until the spindle lock engages.
- Loosen and remove the blade retaining screw (14) by turning it clockwise using the Allen key (7) supplied.
- Remove the outer washer (13).
- Remove the saw blade (15).

### Fitting

- Place the saw blade (15) onto the inner flange (12), making sure that the arrow on the blade points in the same direction as the arrow on the tool.
- Fit the outer washer (13) on the spindle, with the raised part pointing away from the saw blade.
- Insert the blade retaining screw (14) into the hole.
- Keep the spindle lock button (5) depressed.
- Securely tighten the blade retaining screw by turning it counterclockwise using the Allen key (7) supplied.

## Adjusting the sawing angle (Fig. F)

Use a square to check that the angle between the saw blade (15)

and the shoe is 90°. If the angle does not measure 90° adjust as follows:

- Loosen the locking knob (17) to unlock the saw shoe.
- Loosen the locknut on the adjusting screw (16).
- Screw the adjusting screw in or out to achieve a 90° angle.
- Retighten the locknut.
- Tighten the locking knob to lock the saw shoe in place.

## Adjusting the depth of cut (Fig. G)

The depth of cut should be set according to the thickness of the workpiece. It should exceed the thickness by approx. 2 mm.

- Loosen the knob (18) to unlock the saw shoe.
- Move the saw shoe (6) into the desired position.
- Tighten the knob to lock the saw shoe in place.

## Adjusting the bevel angle (Fig. H)

This tool can be set to bevel angles between 0° and 45°.

- Loosen the locking knob (19) to unlock the saw shoe.
- Move the saw shoe (6) into the desired position. The corresponding bevel angle can be read from the scale (20).
- Tighten the locking knob to lock the saw shoe in place.

## Switching on and off

- To switch the tool on, press down the lock-off button (2) and squeeze the on/off switch (1).
- To switch the tool off, release the on/off switch.

## Sawing

Always hold the tool with both hands.

- Let the blade run freely for a few seconds before starting the cut.
- Apply only a gentle pressure to the tool while performing the cut.
- Work with the shoe pressed against the workpiece.

**Note:** Take care not to allow the blade tips to overheat.

### Using the sight guide (Fig. 1)

The tool is equipped with a sight guide for straight cutting (21) and for 45° bevel cutting (22).

- Align the left edge of the guides (21) or (22) with the cutting line (23).
- Keep the sight guide aligned with the cutting line while sawing.
- Work with the shoe pressed against the workpiece.

### Dust extraction

An adaptor is required to connect a vacuum cleaner or dust extractor to the tool.

- Insert the dust extraction adaptor into the saw dust outlet (9).
- Connect the vacuum cleaner hose to the adaptor.

### Hints for optimum use

- Always use the appropriate type of saw blade for the workpiece material and type of cut.
- Always hold the tool with both hands.
- Let the blade run freely for a few seconds before starting the cut.
- Apply only a gentle pressure to the tool while performing the cut.
- Work with the shoe pressed against the workpiece.
- As some splintering along the line of cut on the top side of the workpiece cannot be avoided, cut on the side where splintering is acceptable.
- Where splintering is to be minimised, e.g. when cutting laminates, clamp a piece of plywood onto the top of the workpiece.
- Support large panels to minimize the risk of blade pinching and kickback. Large panels tend to sag under their own weight.
- Supports must be placed under the panel on both sides, near the line of cut and near the edge of the panel being cut.
- Never hold piece being cut in your hands or across your leg.
- Secure the workpiece to a stable platform using clamps. It is important to support the work properly to minimize body exposure, blade binding, or loss of control.

### Accessories

The performance of your tool depends on the accessory used. STANLEY FATMAX accessories are engineered to high quality standards and designed to enhance the performance of your tool. By using these accessories you will get the very best from your tool.

### Maintenance

Your STANLEY FATMAX tool has been designed to operate over a long period of time with a minimum of maintenance.

Continuous satisfactory operation depends upon proper tool care and regular cleaning.

Your charger does not require any maintenance apart from regular cleaning.



**Warning!** Before performing any maintenance on the tool, remove the battery from the tool. Unplug the charger before cleaning it.

- Regularly clean the ventilation slots in your tool and charger using a soft brush or dry cloth.
- Regularly clean the motor housing using a damp cloth.
- Do not use any abrasive or solvent-based cleaner.

### Protecting the environment



Separate collection. Products and batteries marked with this symbol must not be disposed of with normal household waste.

Products and batteries contain materials that can be recovered or recycled reducing the demand for raw materials. Please recycle electrical products and batteries according to local provisions. Further information is available at [www.2helpU.com](http://www.2helpU.com)

### Technical data

		SCC500
Voltage	V <sub>DC</sub>	18V (20V MAX)
No-load speed	Min <sup>-1</sup>	4000
Max. depth of cut	mm	54
Max depth of cut at 45° bevel	mm	45
Blade diameter	mm	165
Blade bore	mm	20
Blade tip width	mm	2.0
Weight	kg	3.4

Charger		SC125	SC200	SC400 SC401
Input Voltage	V <sub>AC</sub>	220-240	220-240	220-240
Output Voltage	V <sub>DC</sub>	18V (20V MAX)	18V (20V MAX)	18V (20V MAX)
Current	A	1.25	2	4

Battery		SB201	SB202	SB204	SB206
Voltage	V <sub>DC</sub>	18V (20V MAX)	18V (20V MAX)	18V (20V MAX)	18V (20V MAX)
Capacity	Ah	1.5	2.0	4.0	6.0
Type		Li-Ion	Li-Ion	Li-Ion	Li-Ion

## SERVICE INFORMATION

STANLEY FATMAX offers a full network of company-owned and authorized service locations. All STANLEY FATMAX Service Centers are staffed with trained personnel to provide customers with efficient and reliable power tool service.

For more information about our authorized service centers and if you need technical advice, repair, or genuine factory replacement parts, contact the STANLEY FATMAX location nearest you or visit us at [www.stanleytools.com](http://www.stanleytools.com).

## 設計用途

您的STANLEY FATMAX SCC500圓鋸被設計用於鋸切木材和木質產品。該工具適用於專業用戶，同時也適合私人、非專業用戶使用。

## 安全說明

### 電動工具一般安全警告



**警告！** 閱讀隨該電動工具提供的所有安全警告、說明、圖解和規定。如不遵守以下任何警告和說明，可能會導致觸電、火災和/或嚴重傷害。

保存所有警告和說明書以備今後查閱。

以下所有警告中列出的“電動工具”指的是電驅動（有線）電動工具或電池驅動（無線）電動工具。

#### 1. 工作場地安全

- 請保持工作場地清潔明亮。混亂或黑暗的場地會引發事故。
- 請勿在易爆環境，如有易燃液體、氣體或粉塵的環境中操作電動工具。電動工具產生的火花可能會引燃粉塵或煙霧。
- 請等待兒童和旁觀者離開之後才操縱電動工具。分心會導致你疏於控制。

#### 2. 電氣安全

- 電動工具插頭必須與插座相符。切勿以任何方式改裝插頭。需接地的電動工具不能使用任何配接器插頭。使用未經改裝的插頭與相符的插座可降低觸電風險。
- 避免人體接觸接地表面，如管道、散熱片、爐灶和冰箱。若你的身體接地，會增加觸電的風險。
- 不得將電動工具暴露在雨中或潮濕環境中。水進入電動工具會增加觸電風險。
- 切勿濫用電線。請勿使用電線來搬運、拉動電動工具或拔出插頭。讓電線遠離熱、油、銳邊和活動部件。受損或纏繞的電線會增加觸電危險。
- 若要在戶外使用電動工具，請使用適合戶外使用的延長電線。採用適合室外使用的電線可降低觸電危險。
- 若必須在潮濕環境中操作電動工具，請使用漏電保護器（RCD）保護的電源供應器。使用RCD可降低觸電風險。

#### 3. 人身安全

- 保持警覺；在操作電動工具時，請留意所執行的操作並按照一般的程式執行。請勿在疲倦或在受到毒品、酒精或藥品的影響時使用電動工具。操作電動工具時，一時的注意力分散可能會導致嚴重人身傷害。
- 使用個人防護裝置。始終佩戴護目裝置。防護設備（例如在適當條件下使用的防塵面具、防滑安全鞋、安全帽或聽力保護裝置）可減少人身傷害。
- 避免意外啟動。連接電源及/或電池組、舉抬或搬運電動工具之前，請確定開關處於關閉位置。若搬運電動工具時將手指放在開關上，或者在電動工具開關開啟時將插頭插入電源插座，這兩種行為都會引發事故。
- 啟動電動工具之前，請卸下所有的調整鑰匙或扳手。遺留在電動工具旋轉部件上的扳手或鑰匙會導致人身傷害。

- 不要過度伸張雙手。時刻注意腳下與身體的平衡。如此可在意外情況下更好地控制電動工具。
- 適當穿著。請勿穿寬鬆衣服或佩戴飾品。讓你的頭髮、衣服和手套遠離活動部件。寬鬆衣服、佩飾或長髮可能會捲入活動部件中。
- 若配備用於連接排屑裝置、集塵設備的裝置，請確定正確連接和使用這些裝置。使用集塵設備可減少與粉塵有關的危險。
- 請勿因頻繁使用而對工具特別熟悉，讓你變得自滿而忽略工具的安全原則。粗心操作可以在片刻間造成嚴重傷害。

#### 4. 電動工具的使用與注意事項

- 請勿超負荷使用電動工具。請根據你的應用使用正確的電動工具。若使用的電動工具正確無誤，該工具能以設計額定值更有效、更安全地執行工作。
- 若開關不能開啟或關閉電源，切勿使用該電動工具。若開關無法控制電動工具，則電動工具存在危險，必須予以維修。
- 在執行任何調整、更換配件或儲存工具之前，必須從電源上拔掉插頭及/或卸下電池組。此類防護性安全措施可降低電動工具意外啟動的風險。
- 將閒置的電動工具儲存在兒童無法接觸的地方，並且不要讓不熟悉電動工具或對這些使用指示不瞭解的人員操作電動工具。未經訓練的使用者操作電動工具會發生危險。
- 維護電動工具。檢查活動部件是否對準或卡住、是否存在任何破損情況，或任何可能影響電動工具運行的其他情況。若有損毀，必須在使用之前修理電動工具。許多事故都是由於電動工具欠缺維護所導致。
- 保持切削工具鋒利和清潔。妥善維護、刀刃鋒利的刀具卡住的可能性更低，更易於控制。
- 使用電動工具、配件和工具刀頭時，請遵循這些指示使用，且指示須包含工作環境和所要執行工作的注意事項。若使用電動工具執行與設計用途不相符的操作，會導致危險。
- 手柄和抓握表面都應保持乾燥、清潔及遠離油脂。光滑手柄和抓握表面不便於在意外情況下對工具進行安全處理與控制。

#### 5. 電池工具的使用與注意事項

- 只能使用製造廠商指定的充電器為電池充電。使用僅適合一種電池組的充電器為其他類型的電池組充電會導致火災危險。
- 請使用原廠的電動工具電池組。使用其他非原廠的電池組會導致人身傷害和火災危險。
- 不使用電池組時，請將其遠離迴紋針、硬幣、鑰匙、釘子、螺絲以及其他可連通電池兩極的金屬物品。將電池兩極短路會導致灼傷或火災。
- 濫用電池的情況下，液體會從電池中噴出；避免與液體接觸。若不小心接觸液體，請用清水沖洗。若液體噴濺到眼睛上，沖洗之後還應進行治療。從電池噴出的液體會刺激皮膚或造成灼傷。
- 請勿使用已經損壞或改動的電池組或工具。損壞或改動的電池可能表現出不可預計的行為，導致火災、爆炸或傷害風險。
- 請勿讓電池組或工具暴露於火中或過高溫度的環境中。暴露於火中或溫度超過130°C的環境中可能導致爆炸。

g. 請遵循所有充電說明，請勿在說明中規定的溫度範圍以外的環境對電池組或工具充電。不當或在指定範圍以外的溫度下充電，可能導致電池損壞並增加火災風險。

## 6. 檢修

- 電動工具之修理，僅可由認證的技術人員執行。請勿交由非STANLEY認證服務中心的技術人員進行修理、維護、調整。若產品經由非STANLEY認證的維修中心拆解、組裝、調整，恕無法適用STANLEY保條條款。為充分發揮其功能，修理、維護、調整請務必使用原廠零件。STANLEY認證服務中心擁有保條條款解釋權。
- 切勿維修損毀的電池組。電池組的維修應僅由製造商或授權服務提供商執行。

## 面對所有電鋸的額外安全指示

### 切割流程

- 危險！使雙手遠離切割區域和鋸片。用另一隻手握住輔助手柄或電機殼體。如果雙手握住電鋸，則不會被鋸片切割。
- 不要把手伸到工件下面。防護罩無法防護工件下面的鋸片。
- 根據工件厚度，調整切割深度。工件下方應看到完整鋸齒的一部分。
- 不要手握正在切割的工件或在切割時將其橫放在腿上。將工件固定到穩定的平臺上。必須對工作提供適當支持，以降低身體暴露，鋸片卡滯或失控的風險。
- 如果操作中，切割配件或緊固件可能觸及暗線或工具上的電線，則要握住電動工具的絕緣握持面。切割配件如果接觸到“帶電”導線，電動工具金屬部件表面就會“帶電”，從而讓操作人員觸電。
- 當進行縱鋸時，始終使用縱鋸擋板或直邊導板。這樣能提高切割精確度並降低鋸片卡滯概率。
- 務必使用軸孔尺寸和形狀(菱形/圓形)正確的鋸片。與電鋸的安裝硬件不匹配的鋸片會離離中心，造成失控。
- 切勿使用損壞或不合適的鋸片墊片或螺絲。鋸片墊片和螺絲專為您的電鋸設計，以實現最佳性能和安全操作。

## 所有操作之進一步安全指示

### 回彈原因和相關警告

- 回彈是對於被夾住、卡住或錯位的鋸片的突然反應，會造成失控的電鋸向上舉起並離開工作，沖向操作人員；
- 當鋸片被正在關閉的切口緊緊夾住或卡住時，鋸片停頓且電機反應驅動切割單元快速朝向操作人員回退；
- 如鋸片在切割中扭曲或錯位，鋸片背面邊緣的鋸齒會進入木料表面，導致鋸片爬出切口並朝操作人員回跳。

反衝是由於電動工具使用不當及/或不正確的操作程序或條件而導致。可透過採取下列適當的預防措施而避免：

- 保持緊握電動工具，調整身體和手臂位置，以應對反衝。如有輔助手柄，則要一直使用，以最大限度地控制啟動時的反衝力或反扭矩。若採取合適的預防措施，操作人員即可以控制反扭矩或反衝力。
- 當鋸片卡滯或由於某種原因中斷切割時，鬆開扳機並保持電鋸在材料中不動，直至鋸片完全停止轉動。不要試圖在電鋸運行時移走或將電鋸向後拉，不然會出現回彈。仔細查看並採取正確行動，消除造成鋸片卡住的原因。

- 如果要在工件中重啟電鋸，請將鋸片置於切口中間位置，確保鋸齒並未切入材料中。如果鋸片卡滯，重啟後可能會使其向上走或從工件中回彈。
- 支撐大型板材，最大程度地降低鋸片夾住和回彈的風險。大型板材會在因為自重而下垂。在板材下方兩側、靠近切割線和工件邊緣的地方提供支撐。
- 請勿使用遲鈍或受損的鋸片。未磨銳或設置不當的鋸片會產生狹小的切口，導致摩擦過大、鋸片卡滯和回彈。
- 切割前，鋸片深度和斜角調整鎖定杆必須牢牢鎖定。如在切割時鋸片調整裝置移動，則可能造成纏繞和彈回。
- 鋸切現有牆體或其它盲區時要格外小心。凸出的鋸片可能會切到導致回彈的物體。

## 下部防護罩功能

- 每次使用前，檢查下部防護罩是否能正常關閉。如下部防護罩無法自由活動並立即關閉，則不要操作電鋸。不得將下部防護罩夾住或綁在打開位置。如果電鋸以外掉落，下部防護罩可能會彎折。用收縮手柄抬起下部防護罩，確保其能夠自由移動，而且在任意切割角度和深度都不會觸碰鋸片或其他零部件。
- 檢查下部防護罩彈簧的運行情況。如防護罩和彈簧運行不正常，則使用前必須進行維修。因部件損壞、粘膠殘留物或碎片堆積，下部防護罩可能運行遲緩。
- 只能在進行特殊切割時，才能手動收回下部防護罩，例如“切入式切割”和“複合式切割”。用收縮手柄抬起下部防護罩，一旦鋸片進入材料，必須鬆開下部防護罩。對於所有其他鋸切，下部防護罩應自動運行。
- 在將電鋸放到凳子或地板上之前，請務必注意下部防護罩是覆蓋鋸片的。未受保護且快速移動的鋸片會導致鋸片倒退，切割所有在其路徑上的物件。注意開關鬆開後，鋸片停止所用的時間。

## 他人的安全

- 本產品不適合體力、感官或智力不足以及缺乏經驗、知識或技能的人員(包括兒童)使用，除非一旁有能為他們的安全負責的監督人員。
- 應看管好兒童，以確保他們不將此設備當做玩具來玩。

## 剩餘風險

使用本工具時，可能會出現隨附安全警告中所不包括的其他剩餘風險。誤用、長時間使用工具等因素會導致這些風險。即使遵循相關安全規定並採用安全裝置，仍然無法避免某些剩餘風險。此類風險包括：

- 接觸旋轉/活動部件引起的傷害。
- 變更任何零件、刀片或配件時引起的傷害。
- 長時間使用工具引起的傷害。若長時間使用工具，請確定休息時間。
- 聽力受損。
- 吸入使用工具時產生的粉塵引起的健康危害(譬如：在木材上使用時，尤其是櫟木、山毛櫸和中密度纖維板(MDF))。

## 鋸片

- 請勿使用大於或小於推薦尺寸的鋸片。請參見技術數據，瞭解適當的鋸片比率。遵守EN 847-1，僅使用本手冊中規定的鋸片。
- 警告！不得使用研磨片。

## 工具上的標籤

本工具上具有以下圖示與日期代碼：

	警告！為降低傷害風險，請用戶在使用前閱讀使用手冊。		
	佩戴安全眼鏡或護目鏡。		
	請佩戴聽力保護器。		
	佩戴防塵口罩。		
V	伏特		直流電
A	安培	$n_0$	空載轉速
Hz	赫茲		II級構造
W	瓦特		接地端子
min	分鐘		安全警示符號
	交流電	/min.	每分鐘轉速

### 日期碼的位置

包含製造年份的日期，打印在工具外殼上。

示例：

2020 XX JN

製造年份 週數 號碼

## 針對電池和充電器的額外安全說明

### 電池

- 不得以任何理由嘗試拆開電池組。
- 請勿讓電池暴露在水中。
- 請勿存放在溫度超過40°C的環境中。
- 僅在溫度10°C到40°C之間的環境中充電。
- 僅用隨工具一同提供的充電器充電。
- 在處理電池時，請遵循“保護環境”部分的說明進行操作。

### 充電器

- 僅用您的STANLEY FATMAX充電器為隨工具一同提供的電池充電。其它電池可能會引起爆裂，並導致人身傷害和損害。
- 不得試圖為不可充電的電池充電。
- 應立即更換有缺陷的電線。
- 請勿讓充電器接觸到水。
- 請切勿拆開充電器。



本工具僅供室內使用。



請在使用前請閱讀使用手冊。



請勿試圖對損壞的電池充電。

## 電氣安全



您的充電器是雙層絕緣；因此無需接電線。請務必檢查電源電壓是否和銘牌上的電壓一致。不得試圖用常規電源插座替換充電器。

- 如果電線損壞，必須由產商或授權STANLEY FATMAX服務中心負責更換，避免出現危險。



警告！不得試圖用常規電源插座替換充電器。

## 功能部件

本工具包括以下部分或全部功能部件。

1. 開關
2. 鎖閉開關
3. 主要手柄
4. 次要手柄
5. 主軸鎖按鈕
6. 底座
7. 內六角扳手
8. 下防護罩
9. 塵屑出口
10. 電池（本包裝未附電池/充電器）

## 使用



警告！讓工具按照自己的節奏運行。請勿超載。

## 為電池充電（圖A）

在首次使用前，以及在電池不能提供順利完成工作所需的電力時，需要為電池充電。電池在充電時可能會發熱；這是正常現象，並非出現問題。



警告！請勿在溫度低於10°C或高於40°C的環境中為電池充電。建議充電溫度為：約24°C。




**注意：**如果電池溫度低於10°C或高於40°C，則充電器不會為電池充電。應將電池留在充電器中，當電池溫度回升或冷卻後，充電器將自動為電池充電。

**注意：**為確保實現最高性能，最大限度地延長鋰離子電池的使用壽命，請在初次使用前，先為電池組充滿電量。

- 將充電器（11）插入適當的插座中，然後再插入電池組（10）。
- 綠色充電指示燈（11a）會持續閃爍，表示充電已經開始。
- 綠色充電指示燈（11a）持續常亮，表示充電完成。電池組（10）電量已充滿，可以取出使用，也可以將其留在充電器內（11）。
- 在電池用完電量後，建議馬上充電，鋰電池請勿過度放電，電力過度耗竭會導致鋰電池損壞。如果將電量耗盡的電池存放起來，將會極大縮短電池的壽命。
- 請將電池從機身卸下分開存放，若長時間未使用電池（1年以上），請每6個月為電池充電一次，以確保電池壽命。
- 當主機突然停止動作，或無法輕鬆完成以往的作業量時，請馬上充電。



## 充電器的LED模式

	<b>充電中：</b> 綠色LED間歇亮起	
	<b>電量已充滿</b> 綠色LED常亮	
	<b>熱/冷電池組延遲：</b> 綠色LED間歇亮起 紅色LED常亮	

**注意：**此兼容充電器不能為故障的電池組充電。充電器指示燈不亮時表示電池組有故障。

**注意：**這也可能意味著充電器有故障。如果充電器提示存在故障，請將充電器和電池組送到授權的服務中心進行測試。

### 將電池留在充電器中。

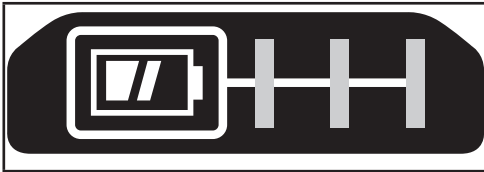
可以讓充電器和電池組始終保持聯通，同時LED會常亮。充電器將讓電池組維持電量剛被充滿的狀態。

### 熱/冷電池組延遲

當充電器檢測到電池過熱或過冷，它就會自動開啟熱/冷電池組延遲，綠色LED (11a) 將會閃爍，同時紅色LED (11b) 將常亮，充電將會暫停，直到電池恢復到適當溫度為止。然後，充電器將自動切換到電池組充電模式。該特色功能可以最大程度地延長電池組的使用壽命。

### 電池電量狀態指示燈 (圖B)

電池組含一個電量狀態指示燈，能夠快速確定電池壽命的情況，如圖B所示。按下電量狀態按鈕 (10a)，您就能輕鬆看到剩餘電量，如圖B所示。



### 插入或取出工具上的電池組



**警告！**先確保已按下鎖止按鈕，防止開關啟動，然後再拆除或安裝電池。

### 如需安裝電池組 (圖C)

- 將電池組插入工具，直至聽見嗶嗶聲為止，如圖C所示。確保電池組已被牢固安裝並鎖定到位。

### 如需拆除電池組 (圖D)

- 按下電池釋放按鈕 (10B)，如圖D所示，並將電池組從工具中拉出。

## 拆除和安裝鋸片 (圖E)

### 拆除

- 按住主軸鎖 (5) 按鈕，轉動鋸片，直到主軸鎖接合。
- 用隨附的內六角扳手 (7) 順時針轉動並拆除固定鋸片的螺絲 (14)。
- 拆除外墊片 (13)。
- 拆除鋸片 (15)。

### 安裝

- 將鋸片 (15) 放在內法蘭 (12) 上，確保鋸片與工具上的箭頭都指向同一個方向。
- 將外墊片 (13) 安裝在主軸上，讓凸起部分不要指向鋸片。
- 將固定鋸片的螺絲 (14) 插入孔洞中。
- 始終按下主軸鎖定按鈕 (5)。
- 用隨附的內六角扳手 (7) 逆時針轉動並擰緊固定鋸片的螺絲。

## 調整鋸片角度 (圖F)

用直角尺檢查鋸片之間的角度 (15) 並且讓底座保持90°。如果角度不是90°，請按以下步驟進行調整：

- 鬆開鎖定把手 (17)，解鎖電鋸底座。
- 鬆開調整螺絲 (16) 上的鎖緊螺絲。
- 擰緊或鬆開調整螺絲，直至達到90°為止。
- 重新擰緊鎖緊螺絲。
- 擰緊鎖定把手，固定電鋸底座。

## 調整切割深度 (圖G)

應根據工件厚度設定切割深度。切割深度應超過工件厚度約2 mm。

- 鬆開把手 (18)，解鎖電鋸底座。
- 將電鋸底座 (6) 移動到理想位置。
- 擰緊把手，固定電鋸底座。

## 調整斜角 (圖H)

該工具的斜角可設定在0°到45°之間。

- 鬆開鎖定把手 (19)，解鎖電鋸底座。
- 將電鋸底座 (6) 移動到理想位置。可以從比例尺 (20) 上讀取對應的斜角。
- 擰緊鎖定把手，固定電鋸底座。

## 開啟和關閉

- 按下鎖定按鈕 (2) 並按下開關 (1)，打開工具。
- 鬆開開關，關閉工具。

## 鋸切

務必用雙手握持該工具。

- 先讓鋸片空轉幾秒鐘，然後再開始切割。
- 在切割時，向工具稍稍施加適當壓力。
- 將底座抵住工件進行作業。

**注意：**注意，不要讓鋸片尖端過熱。

## 使用視線引導 (圖I)

該工具配有一個視線引導，便於直線切割 (21) 和45°斜角切割 (22)。

- 將引導 (21) 或 (22) 的左邊緣與切割線 (23) 對齊。
- 在切割時，讓視線引導與切割線保持對齊。
- 將底座抵住工件進行作業。



## 除塵

需要用適配器將真空吸塵器或除塵器與工具連接起來。

- 將除塵適配器插入塵屑出口 (9) 中。
- 將真空吸塵器軟管連接到適配器上。

## 最佳使用提示

- 務必為工件材料和切割類型選用適當的鋸片類型。
- 務必用雙手握持該工具。
- 先讓鋸片空轉幾秒鐘，然後再開始切割。
- 在切割時，向工具稍稍施加適當壓力。
- 將底座抵住工件進行作業。
- 在工件表面，會沿切割線無法避免地產生碎屑，因此，在可接受碎屑的一側切割。
- 如果要儘量減少碎屑，例如在切割層壓板時，可將一塊膠合板夾在工件頂部。
- 支撐大型板材，最大程度地降低鋸片夾住和回彈的風險。大型板材會在因為自重而下垂。
- 在板材下方兩側、靠近切割線和工件邊緣的地方提供支撐。
- 不要手握正在切割的工件或在切割時將其橫放在腿上。
- 用夾子將工件固定到穩定的平臺上。必須對工作提供適當支持，以降低身體暴露，鋸片卡滯或失控的風險。

## 配件

**警告!**除了由STANLEY提供的配件外，其他附件均未接受過本產品的測試，因此與該工具搭配使用這些配件可能會導致風險。為降低人身傷害風險，本產品只可使用STANLEY推薦的配件。

## 維護

您的STANLEY FATMAX工具設計精良，可以長期使用，僅需極少維護。如需持續獲得令人滿意的工作效果，需要進行合適的工具維護和定期清潔。

除了定期清潔，您的充電器無需任何維護。



**警告!**在對工具進行任何維護前，請從工具上拆除電池。先切斷充電器的電源，然後再進行清潔。

- 用軟刷或幹布定期清潔您工具和充電器的通風槽。
- 定期使用濕布清潔電機外殼。
- 請勿使用任何研磨性或溶劑型清潔劑。

## 保護環境



分類回收由此符號標記的產品和電池不得與普通家庭垃圾一起處理。

產品和電池組合可恢復或回收的材料，從而降低對原材料的需求。請根據當地規定回收電子產品和電池。更多信息，請訪問 [www.2helpU.com](http://www.2helpU.com)。

## 技術參數

		SCC500
電壓	V <sub>DC</sub>	18V (20V MAX)
空載轉速	Min <sup>-1</sup>	4000
最大切割深度	mm	54
在45°斜角上的最大切割深度	mm	45
鋸片直徑	mm	165
鋸片孔	mm	20
鋸片齒尖寬度	mm	2.0
重量	kg	3.4

## 維修信息

STANLEY FATMAX提供完整的公司隸屬和授權的維修點網絡。所有STANLEY FATMAX服務中心均擁有經過訓練的人員，為您提供高效可靠的電動工具服務。如需瞭解有關我們授權維修中心的更多信息，而且如需獲得技術建議、維修或原廠更換部件，請聯繫距離您最近的STANLEY FATMAX，或訪問我們的網站

[www.stanleytools.com](http://www.stanleytools.com)。

**總經銷商:** 永安實業股份有限公司

**地址:** 新北市三重區新北大道二段137號

**電話:** 02-2999-4633

**進口/委製廠商:** 新加坡商百得電動工具(股)公司台灣分公司

**地址:** 台北市士林區德行西路33號2樓

**電話:** 02-2834-1741

## 용도

STANLEY FATMAX SCC50 원형 톱은 목재 및 목재 제품 절단 용으로 설계되었습니다. 이 공구는 전문가 및 개인, 비전문 사용자를 위한 것입니다.

## 안전 지침

### 일반 안전 경고



**경고: 이 전동 공구와 함께 제공되는 모든 안전 경고와 지시사항, 설명 및 사양을 읽으십시오.**  
아래 설명한 모든 지시 사항을 따르지 않으면 감전, 화재 및/또는 심각한 부상을 초래할 수 있습니다.

**항후 참고할 수 있도록 모든 경고 및 지시 사항을 보관해두십시오.** 경고에서 사용된 "전동 공구"라는 용어는 주 공급 전원에 의해 전기가 공급되는(유선) 전동 공구 또는 충전식(무선) 전동 공구를 의미합니다.

### 1. 작업장 안전

- 작업장을 항상 청결하고 밝게 유지하십시오.** 혼잡하거나 어두운 작업장에서는 사고가 발생하기 쉽습니다.
- 가연성 액체, 가스 또는 먼지 등이 있는 폭발성 대기에서 전동 공구를 사용하지 마십시오.** 전동 공구에서 먼지나 가스를 발사시킬 수 있는 불꽃이 될 수 있습니다.
- 전동 공구로 작업하는 동안에는 어린이와 주변 사람들이 작업 영역에 가까이 들어오지 못하도록 하십시오.** 주변이 산만해져 통제력을 잃을 수 있습니다.

### 2. 전기 안전

- 동공구의 플러그는 콘센트와 형식이 일치해야 하며, 플러그를 어떤 형태로든 개조하지 마십시오.** 또한 접지된 전동공구에 다른 어댑터 플러그를 사용하지 마십시오. 개조되지 않은 플러그 및 형식이 일치하는 콘센트를 사용하면 감전 위험이 늘어납니다.
- 파이프 관, 라디에이터, 렌지, 냉장고 등의 접지 표면에 물이 닿지 않도록 하십시오.** 몸에 닿을 경우 감전이 될 위험이 높아집니다.
- 전동 공구를 비 또는 습한 환경에 노출하지 않도록 주의하십시오.** 전동 공구에 물이 들어가면 감전 위험이 높아집니다.
- 코드를 함부로 다루지 마십시오.** 코드를 사용하여 전동공구를 운반하거나, 코드를 과도하게 잡아당겨서 플러그를 뽑지 않도록 주의하십시오. 전열코드가 열기 또는 오일과 접촉되는 것을 피하고, 날카로운 모서리 또는 기기의 기동 부위에 닿지 않도록 주의 하십시오. 코드가 손상되거나 얽혀 있으면 감전 위험이 높아집니다.
- 전동 공구를 실외에서 사용할 때는 실외 사용에 적합한 연장 코드를 사용하십시오.** 실외 사용에 적합한 코드를 사용하면 감전 위험이 줄어듭니다.
- 전동공구를 습한 공간에서 사용할 경우, 반드시 누전 차단기를 사용하십시오.** 누전 차단기(RCD)를 사용하면 감전의 위험이 줄어듭니다. RCD를 사용하면 감전 위험이 줄어듭니다.

### 3. 신체 안전 사항

- 전동 공구로 작업할 때는 방심하지 말고 작업에 주의하면서 상식에 따르십시오.** 피곤한 상태이거나 약물, 술, 치료제를 복용한 상태에서는 전동 공구를 사용하지 마십시오. 전동 공구를 사용하다 잠깐만 한 눈을 팔아도 심각한 부상을 당할 수 있습니다.
- 신체 보호 장비를 착용하십시오.** 항상 보안경을 착용하십시오. 적합한 상황에서 방진 마스크, 미끄럼 방지 안전화, 안전모 또는 정력 보호 기구 등의 보호 장비를 사용하면 신체 부상 위험이 줄어듭니다.
- 의도하지 않은 장비 가동 방지.** 전원 및/또는 배터리 팩에 연결한 상태로 공구를 선택 또는 운반할 때는 사전에 스위치가 꺼짐 위치에 있는지 반드시 확인하십시오. 스위치가 꺼짐 위치에 있는 상태에서 스위치에 손가락이 닿은 상태로 전동 공구를 운반하거나 전동 공구에 전원을 공급하면 사고가 발생합니다.
- 전동 공구를 켜기 전에 모든 조정 키 또는 렌치를 제거하십시오.** 전동 공구의 회전 부품에 렌치나 키가 부착되어 있으면 부상을 당할 수 있습니다.
- 무리하게 팔을 뻗지 마십시오.** 항상 올바른 자세로 서서 균형을 유지하십시오. 안정된 자세로 작업을 할 경우 전동 공구를 안전하게 사용할 수 있습니다.
- 절한 의복을 착용하십시오.** 헐렁한 옷이나 장신구를 착용하지 마십시오. 머리카락과 옷이 움직이는 부품에 닿지 않도록 유의하십시오. 헐렁한 옷, 장신구 또는 긴 머리가 움직이는 부품에 걸 수 있습니다.
- 먼지 배출 및 집진 시설 연결을 위한 장치가 제공된 경우, 이를 장치가 연결되어 적절히 사용되고 있는지 반드시 확인하십시오.** 집진 장치를 사용하면 먼지와 관련된 위험을 줄일 수 있습니다.
- 장치를 자주 사용함으로써 생긴 익숙함으로 인해 현실에 안주하거나 공구 안전 원칙을 무시하지 않도록 하십시오.** 부주의한 작동은 순식간에 심각한 부상을 야기할 수 있습니다.

### 4. 전동 공구 사용 및 관리

- 전동 공구에 무리한 힘을 가하지 마십시오.** 해당 용도에 맞는 올바른 전동 공구를 사용하십시오. 올바른 전동 공구를 사용해야 설계된 속도로 작업을 더욱 안전하고 정확하게 수행할 수 있습니다.
- 꺼지지 않거나 꺼지지 않는 경우 전동 공구를 사용하지 마십시오.** 스위치로 제어되지 않는 전동 공구는 위험하므로 수리해야 합니다.
- 전동 공구를 조정하거나 액세서리를 변경하거나 보관하기 전에 전동 공구에서 분리되는 경우 전원에서 플러그를 뽑거나 또는 배터리 팩을 분리하십시오.** 이러한 예방적 안전 조치를 따라야 전동 공구가 갑자기 작동할 위험이 줄어듭니다.
- 사용하지 않는 전동 공구는 어린이의 손이 닿지 않는 곳에 보관하고, 전동 공구나 본 지시 사항에 익숙하지 않은 사람이 전동 공구를 절대 사용하지 못하게 하십시오.** 전동 공구는 훈련을 받지 않은 사용자가 다루면 위험합니다.
- 전동 공구 및 액세서리 유지 보수.** 움직이는 부품의 잘못된 정렬이나 바인딩, 부품 파손 및 기타 전동 공구의 작동에 영향을 미칠 수 있는 기타 모든 상태를 확인하십시오. 손상된

부분이 있는 경우 사용하기 전에 전동 공구를 수리하십시오. 많은 사고는 전동 공구를 제대로 유지 보수하지 않아 발생합니다.

- f. 공구를 깨끗한 상태로 유지하십시오. 절삭 가장자리를 예리하게 잘 유지하면 절삭기를 사용할 때 바인딩이 적고 다루기가 용이합니다.
- g. 작업 환경과 수행할 작업을 고려하여, 본 지시 사항에 따라 전동 공구, 액세서리 및 톨 비트 등을 사용하십시오. 본 사용 설명서의 내용과 다른 용도로 전동 공구를 사용하면 위험한 상황이 발생할 수 있습니다.
- h. 핸들과 잡는 표면은 건조하고 깨끗한 상태를 유지하고 오일/기름이 묻지 않도록 하십시오. 미끄러운 핸들과 잡는 면은 예기치 못한 상황에서 안전한 취급과 공구 관리를 보장하지 않습니다.

## 5. 배터리 공구 사용 및 주의 사항

- a. 다시 충전할 때는 제조업체에서 지정한 충전기만 사용하십시오. 하나의 배터리 팩 유형에 적합한 충전기를 다른 배터리 팩과 함께 사용할 경우 화재의 위험이 있습니다.
- b. 전동 공구를 사용할 때는 구체적으로 지정되어 있는 배터리 팩만 사용하십시오. 다른 배터리 팩을 사용하면 부상을 입거나 화재의 위험이 있습니다.
- c. 배터리 팩을 사용하지 않을 때에는 클립, 동전, 키, 못, 나사 등의 금속 물체나, 단자 간에 연결할 수 있는 작은 금속 물체가 닿지 않도록 멀리 두십시오. 배터리 단자가 단락되면 화상을 입거나 화재의 위험이 있습니다.
- d. 배터리를 과다 사용하면 액체가 배터리에서 흘러 나올 수 있으므로, 접촉을 피하십시오. 실수로 접촉한 경우에는 물로 씻으십시오. 액체가 눈에 들어간 경우 치료를 받으십시오. 배터리에서 나온 액체는 통증을 유발하거나 화상을 입힐 수 있습니다.
- e. 손상되거나 변경된 배터리 팩 또는 공구를 사용하지 마십시오. 손상되거나 개조된 배터리는 예측할 수 없는 작용을 보여, 화재, 폭발 또는 부상 위험을 야기할 수 있습니다.
- f. 배터리 팩 또는 공구를 불이나 과도한 온도에 노출하지 마십시오. 불 또는 130 °C 이상의 온도에 노출되면 폭발할 수 있습니다.
- g. 모든 충전 지침을 따르고 배터리 팩 또는 공구를 설명서에 지정된 범위 밖의 온도에서 충전하지 마십시오. 적절하지 않게 충전하거나 지정된 범위 밖의 온도에서 충전하면 배터리가 손상되어 화재 위험이 증가될 수 있습니다.

## 6. 정비

- a. 자격을 갖춘 기술자가 동일 교체 부품을 사용하여 정비 작업을 수행해야 합니다. 그래야 전동 공구의 안전이 보장됩니다.
- b. 손상된 배터리 팩을 정비하지 마십시오. 배터리 팩은 제조업체 또는 공인 서비스 공급업체를 통해서만 점검을 받아야 합니다.

## 후대용 쏘에 대한 추가 안전 경고

### 절단 절차

- 위험! 절단 영역과 날에 손을 대지 마십시오. 다른 손은 보조 핸들이나 모터 하우징에 두십시오. 양손이 톨을 잡고 있으면 날로 절단할 수 없습니다.

- 공작물 아래에 손을 대지 마십시오. 가드는 공작물 아래의 날로부터 사용자를 보호할 수 없습니다.
- 공작물의 두께에 따라 절단 깊이를 조정하십시오. 공작물 아래에 블레이드 이빨의 전체 이빨 미만이 보여야 합니다.
- 절단 된 조각을 손이나 다리에 잡지 마십시오. 공작물을 안정된 플랫폼에 고정하십시오. 신체 노출, 블레이드 바인딩 또는 제어 상실을 최소화하기 위해 작업을 적절하게 지원하는 것이 중요합니다.
- 절단 액세서리가 숨겨진 배선과 접촉할 수 있는 작업을 수행할 때는 절연 그림 표면으로 전동 공구를 잡으십시오. "전기가 통하는"전선과 접촉하는 절단 액세서리는 전동 공구의 노출된 금속 부분을 "절전"시켜 작업자가 감전될 수 있습니다.
- 톨을 때는 항상 림 펜스 또는 직선 가장자리 가이드를 사용하십시오. 이렇게 하면 절단의 정확도가 향상되고 블레이드 바인딩 가능성이 줄어듭니다.
- 항상 정확한 크기와 모양 (다이아몬드 대 원형)의 아머 구멍을 가진 날을 사용하십시오. 톨의 장착 하드웨어와 일치하지 않는 블레이드는 편심을 일으켜 제어력을 잃게 됩니다.
- 손상되거나 잘못된 블레이드 와서 또는 볼트를 사용하지 마십시오. 블레이드 와서와 볼트는 최적의 성능과 작동 안전을 위해 톨을 위해 특별히 설계되었습니다.

## 모든 톨에 대한 추가 안전 지침

### 반동 원인 및 관련 경고

- 기계 반동은 톨날이 늘 리거나 바운드되거나 잘못 정렬된 것에 대한 갑작스런 반응으로, 제어되지 않은 톨이 작업자를 향해 공작물 밖으로 들어올려 나옵니다.
- 절단부가 담겨서 블레이드가 조이거나 단단히 묶여 있으면 블레이드가 멈추고 모터 반응이 장치를 신속하게 작업자쪽으로 다시 이동시킵니다.
- 칼날이 절단시 비틀 리거나 정렬이 어긋나면 칼날 뒤쪽 가장자리의 톨니가 목재 상단 표면을 파고 들어가 칼날이 절단에서 빠져 나와 작업자쪽으로 다시 튀어올 수 있습니다.

반동은 전동 공구를 잘못 사용하거나 잘못된 조작 절차 또는 조건으로 인해 발생할 수 있으며 아래와 같은 올바른 예방 조치를 통해 막을 수 있습니다.

- a. 전동 공구를 꼭 쥐고 반발력에 저항할 수 있는 자세를 유지하십시오. 반동이나 시동 중의 톨크 반발력을 최대한 제어할 수 있도록 보조 핸들이 있으면 항상 이용하십시오. 작업자가 적절한 예방 조치를 취하면 톨크 반발력이나 반동력을 제어할 수 있습니다.
- b. 날이 묶일 때 또는 어떤 이유로 든 절단을 중단 할 때, 방아쇠를 놓고 날이 완전히 멈출 때까지 재료에서 톨을 움직이지 않게 유지하십시오. 톨을 작업에서 제거하거나 톨을 뒤로 당기려고 하지 마십시오. 블레이드가 움직이거나 반동이 발생할 수 있습니다. 블레이드 바인딩의 원인을 제거하기 위해 조사하고 수정 조치를 취하십시오.
- c. 공작물에서 톨을 다시 작동할 때 톨날을 절단의 중앙에 놓고 톨날이 재료에 맞물리지 않는지 확인하십시오. 톨날이 묶인 경우 톨을 다시 작동할 때 공작물에서 꺼거나 반동될 수 있습니다.
- d. 블레이드가 끼거나 반동되는 위험을 최소화하기 위해 대형 패널을 지원합니다. 대형 패널은 자체 무게로 인해 처지는

경향이 있습니다. 지지대는 양쪽 패널 아래, 절단 선 근처 및 패널 가장자리 근처에 배치해야 합니다.

- e. 무디거나 손상된 블레이드를 사용하지 마십시오. 날카롭지 않거나 부적절하게 설정된 날은 좁은 절단을 생성하여 과도한 마찰, 날 바인딩 및 반동을 유발합니다.
- f. 절단하기 전에 블레이드 깊이 및 경사 조정 잠금 레버를 단단히 고정해야 합니다. 절단 중에 날 조정이 이동하면 바인딩 및 반동이 발생할 수 있습니다.
- g. 기존 벽이나 기타 사각 지대에서 톱질할 때는 특히 주의하십시오. 튀어나온 날로 인해 반동을 일으킬 수 있는 물체가 절단될 수 있습니다.

### 하부 가드 기능

- a. 매번 사용하기 전에 하단 가드가 제대로 닫혀 있는지 확인하십시오. 하부 가드가 자유롭게 움직이지 않고 즉시 닫히지 않으면 톱을 작동하지 마십시오. 하단 보호대를 열림 위치에 고정하거나 묶지 마십시오. 실수로 톱을 떨어뜨리면 하부 가드가 구부러질 수 있습니다. 리트랙팅 핸들로 하부 가드를 올리고 자유롭게 움직이는 지 확인하고 모든 각도와 깊이에서 날이나 다른 부품에 닿지 않는지 확인합니다.
- b. 하부 가드 스프링의 작동을 확인하십시오. 가드와 스프링이 제대로 작동하지 않으면 사용하기 전에 서비스를 받아야 합니다. 하부 가드는 손상된 부품, 끈적 끈적한 침전물 또는 이물질 축적으로 인해 느리게 작동할 수 있습니다.
- c. 하부 가드는 "플 런치 절단" 및 "복합 절단"과 같은 특수 절단에만 수동으로 후퇴할 수 있습니다. 핸들을 집어 넣어 하부 가드를 올리고 날이 재료에 들어가자마자 하부 가드를 해제해야 합니다. 다른 모든 톱질은 하부 보호대가 자동으로 작동해야 합니다.
- d. 톱을 벤치 나 바닥에 놓기 전에 항상 하부 가드가 닫혀 있는지 확인하십시오. 보호되지 않은 타력 블레이드는 톱이 뒤로 걸어 가며 경로에 있는 모든 것을 절단합니다. 스위치를 놓은 후 블레이드가 멈출 때까지 걸리는 시간에 유의하십시오.

### 타인의 안전

- 이 기기는 안전을 책임지는 사람이 기기 사용에 대해 감독하거나 지시하지 않는 한 신체적, 감각적 또는 정신적 능력이 약하거나 경험과 지식이 부족한 사람(어린이 포함)이 사용하도록 설계되지 않았습니다.
- 어린이가 기기를 가지고 놀지 않도록 감독해야 합니다.

### 기타 발생 가능한 위험

기기를 사용할 때 동봉된 안전 경고에 포함되어 있지 않은 기타 발생 가능한 위험들이 발생할 수 있습니다. 이러한 위험은 오용, 장시간 사용 등으로 인해 발생할 수 있습니다.

관련된 안전 규정을 준수하고 안전 장치를 사용한다고 해도 어떤 위험들은 피하지 못할 수도 있습니다. 이러한 위험으로는 다음과 같은 것들이 있습니다.

- 회전 부품이나 작동 부품을 만져 발생하는 부상.
- 부품, 톱날 또는 액세서리 변경으로 인한 부상.
- 장시간에 걸친 기기 사용으로 인한 부상. 어떤 기기이든 장시간에 걸쳐 사용할 때는 반드시 정기적인 휴식을 취하십시오.
- 청력 손상.

- 기기 사용 중에 발생하는 먼지를 호흡하여 유발되는 건강 위해성 (예: 목재, 특히 오크, 너도밤나무 및 MDF 가공 작업).

### 톱날

- 권장되는 것보다 더 크거나 작은 직경의 블레이드를 사용하지 마십시오. 적절한 블레이드 등급은 기술 데이터를 참조하십시오. EN 847-1을 준수하는 이 설명서에 지정된 블레이드 만 사용하십시오.
- 경고! 연마 휠을 사용하지 마십시오.

### 공구 라벨

공구에 장착된 라벨에 다음 기호가 사용됩니다.

	경고! 부상 위험을 줄이려면 사용자는 사용 전에 사용 설명서를 주의 깊게 읽어야 합니다.		
	항상 보호 안경 또는 고글을 착용하십시오.		
	귀 보호 장구를 착용하십시오.		
	방진 마스크를 착용하십시오.		
V	볼트		직류
A	암페어	$I_0$	평가 속도
Hz	헤르츠		클래스 II 건설 산업용
W	와트		접지 단자
min	분		안전 경고 기호
	교류 전류	/min.	부당 회전 또는 왕복 수

### 데이터 코드 위치

날짜 코드에는 제조년도도 포함되어 케이스에 인쇄되어 있습니다. 예:

2020 XX JN  
제조년도

### 배터리

- 어떤 이유로든 열지 마십시오.
- 배터리를 물에 노출시키지 마십시오.
- 온도가 40 °C를 초과할 수 있는 장소에 보관하지 마십시오.
- 주변 온도가 10 °C ~ 40 °C 인 경우에만 충전하십시오.
- 공구와 함께 제공된 충전기 만 사용하여 충전하십시오.
- 배터리를 폐기할 때는 "환경 보호" 섹션의 지침을 따르십시오.

### 충전기

- STANLEY FATMAX 충전기는 제공된 도구로 배터리를 충전하는 데만 사용하십시오. 다른 배터리는 파열되어 부상을 입거나 손상될 수 있습니다.
- 비 충전식 배터리를 충전하지 마십시오.

- 결함이 있는 코드는 즉시 교체하십시오.
- 충전기를 물에 노출시키지 마십시오.
- 충전기를 열지 마십시오.
- 충전기를 조사하지 마십시오.



충전기는 실내 전용입니다.



사용하기 전에 사용 설명서를 읽으십시오.



손상된 배터리를 충전하지 마십시오

## 전기 안전



충전기는 특정 전압에 맞게 설계되었습니다. 전원 전압이 명판의 전압과 일치하는지 항상 확인하십시오. 충전기를 일반 전원 플러그로 교체하지 마십시오.

- 전원 코드가 손상된 경우 위험을 피하기 위해 제조업체 또는 공인 된 STANLEY FATMAX 서비스 센터에서 교체해야 합니다.



**경고!** 충전기를 일반 전원 플러그로 교체하지 마십시오.

## 기능

이 공구에는 다음 기능 중 일부 또는 모두가 포함되어 있습니다.

1. 온 / 오프 스위치
2. 잠금 해제 버튼
3. 메인 핸들
4. 보조 핸들
5. 스피들 잠금 버튼
6. 슈
7. 앨런 키
8. 하부 가드
9. 톨 먼지 배출구
10. 배터리

## 사용



**경고!** 공구가 자체 속도로 작동하도록하십시오. 과부하하지 마십시오.

## 배터리 충전 (그림 A)

배터리는 처음 사용하기 전과 이전에 쉽게 수행했던 작업에서 충분한 전력을 공급하지 못할 때마다 충전해야 합니다. 충전하는 동안 배터리가 따뜻해질 수 있습니다. 이것은 정상적인 현상이며 문제를 나타내는 것이 아닙니다.



**경고!** 주변 온도가 10 °C 이하 또는 40 °C 이상인 장소에서는 배터리를 충전하지 마십시오. 권장 충전 온도 : 약 24 °C.

**참고:** 배터리 온도가 약 10 °C 이하이거나 40 °C 이상이면 충전기가 배터리를 충전하지 않습니다.

배터리는 충전기에 그대로 두어야 하며 셀 온도가 예열되거나 냉각되면 충전기가 자동으로 충전되기 시작합니다.

**참고:** 리튬 이온 배터리 팩의 최대 성능과 수명을 보장하려면 처음 사용하기 전에 배터리 팩을 완전히 충전하십시오.

- 배터리 팩 (11)을 삽입하기 전에 충전기 (10)를 적절한 콘센트에 꽂으십시오.
- 녹색 충전 표시등 (11a)이 계속 깜박이면 충전 프로세스가 시작되었음을 나타냅니다.
- 충전이 완료되면 녹색 충전 표시등 (11a)이 계속 켜져 있습니다. 배터리 팩 (10)은 완전히 충전되었으며 이때 분리하여 사용하거나 충전기 (11)에 그대로 둘 수 있습니다.
- 방전 된 배터리는 1주일 이내에 충전하십시오. 방전 된 상태로 보관하면 배터리 수명이 크게 줄어듭니다

## 충전기 LED 모드

	<b>충전 중:</b> 녹색 LED 간헐적	
	<b>완전 충전:</b> 녹색 LED 켜짐	
	<b>핫 / 콜드 팩 지연:</b> 녹색 LED 간헐적 빨간색 LED 점등	

**참고:** 호환되는 충전기는 결함이 있는 배터리 팩을 충전하지 않습니다. 충전기는 점등된 지 않음으로써 배터리 팩에 결함이 있음을 나타냅니다.

**참고:** 이것은 또한 충전기 문제를 의미할 수도 있습니다. 충전기에 문제가 있는 것으로 나타나면 충전기와 배터리 팩을 가지고 공인 서비스 센터에서 테스트를 받으십시오.

## 충전기에 배터리 보관

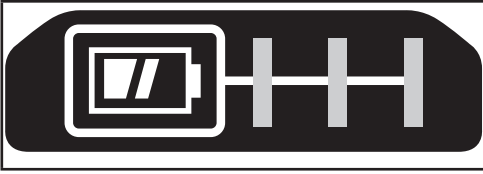
충전기와 배터리 팩은 LED 표시등이 점등된 상태로 연결되어 있을 수 있습니다. 충전기는 배터리 팩을 완전히 충전 된 상태로 유지합니다.

## 핫 / 콜드 팩 딜레이

충전기가 배터리가 너무 뜨겁거나 너무 차가움을 감지하면 자동으로 핫 / 콜드 팩 딜레이를 시작하고 녹색 LED (11a) 표시등이 간헐적으로 깜박이고 빨간색 LED (11b) 표시등이 계속 켜져 있습니다. 그러면 충전기가 자동으로 팩 충전 모드로 전환됩니다. 이 기능은 최대 배터리 수명을 보장합니다.

## 배터리 충전 상태 표시기 (그림 B)

배터리에는 그림 B와 같이 배터리 수명 범위를 빠르게 확인할 수 있는 충전 상태 표시기가 포함되어 있습니다. 충전 상태 버튼(10a)을 누르면 그림 B와 같이 배터리 잔량을 쉽게 확인할 수 있습니다.



## 공구에 배터리 팩 설치 및 제거



**경고!** 배터리를 제거하거나 설치하기 전에 스위치 작동을 방지하기 위해 잠금 해제 버튼이 잠겨 있는지 확인하십시오.

## 배터리 팩을 설치하려면 (그림 C)

- 그림 C와 같이 딸깍 소리가 날 때까지 배터리 팩을 공구에 단단히 삽입하십시오. 배터리 팩이 완전히 장착되고 제자리에 완전히 고정되었는지 확인하십시오.

## 배터리 팩을 제거하려면 (그림 D)

- 그림 D와 같이 배터리 해제 버튼(10b)을 누르고 배터리 팩을 공구에서 빼냅니다.

## 톱날 제거 및 장착 (그림 E)

### 제거

- 스핀들 잠금 버튼 (5)을 누른 상태에서 스핀들 잠금 장치가 맞물릴 때까지 날을 돌립니다.
- 제공된 Allen 키 (7)를 사용하여 블레이드 고정 나사 (14)를 시계 방향으로 돌려 풀어 제거합니다.
- 외부 와셔 (13)를 제거합니다.
- 톱날 (15)을 제거하십시오.

### 장착

- 톱날 (15)을 내부 플랜지 (12)에 놓고 날의 화살표가 공구의 화살표와 같은 방향을 가리키도록 합니다.
- 불룩한 부분이 톱날 반대쪽을 향하도록 하여 스핀들에 외부 와셔 (13)를 끼웁니다.
- 날 고정 나사 (14)를 구멍에 삽입합니다.
- 스핀들 잠금 버튼 (5)을 계속 누르고 있습니다.
- 제공된 Allen 키 (7)를 사용하여 블레이드 고정 나사를 시계 반대 방향으로 돌려 단단히 조입니다.

## 톱질 각도 조정 (그림 F)

사각형을 사용하여 톱날 (15)과 슈 사이의 각도가 90°인지 확인합니다. 각도가 90°로 측정되지 않으면 다음과 같이 조정하십시오.

- 잠금 손잡이 (18)를 풀어 톱 슈의 잠금을 해제합니다.
- 조정 나사 (16)의 잠금 너트를 풉니다.
- 90° 각도가 되도록 조정 나사를 안쪽으로 조입니다.
- 잠금 너트를 다시 조입니다.
- 잠금 손잡이를 조여 톱 슈를 제자리에 고정합니다.

## 절삭 깊이 조정 (그림 G)

절삭 깊이는 공작물의 두께에 따라 설정해야 합니다. 두께를 대략 초과해야 합니다. 2mm.

- 손잡이 (18)를 풀어 톱 슈의 잠금을 해제합니다.
- 톱 슈 (6)를 원하는 위치로 이동합니다.
- 손잡이를 조여 톱 슈를 제자리에 고정합니다.

## 베벨 각도 조정 (그림 H)

이 공구는 0°에서 45° 사이의 경사각으로 설정할 수 있습니다.

- 잠금 손잡이 (19)를 풀어 톱 슈의 잠금을 해제합니다.
- 톱 슈 (6)를 원하는 위치로 이동합니다. 해당 베벨 각도는 눈금 (20)에서 읽을 수 있습니다.
- 잠금 손잡이를 조여 톱 슈를 제자리에 고정합니다.

## 켜기/끄기 스위칭

- 공구를 켜려면 잠금 해제 버튼 (2)을 누르고 켜기 / 끄기 스위치 (1)를 누르십시오.
- 공구를 끄려면 켜기 / 끄기 스위치를 놓습니다.

## 톱질

항상 양손으로 공구를 잡으십시오.

- 절단을 시작하기 전에 칼날이 몇 초 동안 자유롭게 움직입니다.
- 절단을 수행하는 동안 공구에 약간의 압력 만 가하십시오.
- 공작물에 눌린 슈로 작업하십시오.

**참고:** 날 끝이 과열되지 않도록 주의하십시오.

## 사이트 가이드 사용 (그림 I)

이 공구에는 직선 절단 (21) 및 45° 베벨 절단 (22) 용 사이트 가이드가 장착되어 있습니다.

- 가이드 (21) 또는 (22)의 왼쪽 가장자리를 절단 선 (23)에 맞춥니다.
- 톱질하는 동안 사이트 가이드를 절단 선에 정렬하십시오.
- 공작물에 눌린 슈로 작업하십시오.

## 먼지 추출

진공 청소기 또는 먼지 추출기를 공구에 연결하려면 어댑터가 필요합니다.

- 먼지 추출 어댑터를 톱 먼지 배출구 (9)에 삽입합니다.
- 진공 청소기 호스를 어댑터에 연결합니다.

## 최적의 사용을 위한 힌트

- 항상 공작물 재료 및 절단 유형에 적합한 유형의 톱날을 사용하십시오.
- 항상 양손으로 공구를 잡으십시오.
- 절단을 시작하기 전에 칼날이 몇 초 동안 자유롭게 움직입니다.
- 절단을 수행하는 동안 공구에 약간의 압력 만 가하십시오.
- 공작물에 눌린 슈로 작업하십시오.
- 공작물 상단의 절단 선을 따라 약간의 쪼개짐을 피할 수 없으므로 쪼개질 수 있는 쪽에서 절단하십시오.
- 쪼개짐을 최소화해야 하는 경우 (예 : 라미네이트를 절단할 때) 합판 조각을 공작물 상단에 고정합니다.
- 블레이드가 끼거나 반동되는 위험을 최소화하기 위해 대형 패널을 지원합니다. 대형 패널은 자체 무게로 인해 처지는 경향이 있습니다.
- 지지대는 양쪽 패널 아래, 절단 선 근처 및 절단중인 패널 가장자리 근처에 배치되어야 합니다.
- 절단 된 조각을 손이나 다리에 잡지 마십시오.

- 클램프를 사용하여 작업 물을 안정적인 플랫폼에 고정합니다. 신체 노출, 블레이드 바인딩 또는 제어 상실을 최소화하기 위해 작업을 적절하게 지원하는 것이 중요합니다.

### 액세서리

공구의 성능은 사용 된 액세서리에 따라 다릅니다. STANLEY FATMAX 액세서리는 고품질 표준에 따라 설계되었으며 공구 성능을 향상 시키도록 설계되었습니다. 이러한 액세서리를 사용하면 공구에서 최상의 결과를 얻을 수 있습니다

### 유지 보수

STANLEY FATMAX 공구는 최소한의 유지 보수로 장기간 작동하도록 설계되었습니다. 만족스러운 연속 작동은 적절한 공구 관리와 정기적인 청소에 따라 그 성능이 달라질 수 있습니다 충전기는 정기적 인 청소 외에 유지 관리가 필요하지 않습니다.



**경고!** 공구에 대한 유지 관리를 수행하기 전에 공구에서 배터리를 제거하십시오. 청소하기 전에 충전기의 플러그를 뽑으십시오.

- 제품 / 공구 / 충전기의 환기 슬롯을 부드러운 솔이나 마른 천으로 정기적으로 청소하십시오.
- 젖은 천을 사용하여 모터 하우징을 정기적으로 청소하고.
- 연마제나 솔벤트 기반 세제를 사용하지 마십시오

### 환경 보호



분리 수거. 이 기호가 표시된 제품과 배터리를 일반 가정용 쓰레기와 함께 처리하면 안됩니다.

제품과 배터리에는 재활용되거나 재활용되고 고철 자원에 대한 수요를 줄일 수 있는 자재가 포함되어 있습니다. 지역 규정에 따라 전기 제품을 재활용하십시오. 자세한 내용은 [www.2helpU.com](http://www.2helpU.com)에서 찾아볼 수 있습니다.

### 기술 데이터

		SCC500
전압	V <sub>DC</sub>	18V (20V MAX)
무부하 속도	Min <sup>-1</sup>	4000
최대 절삭 깊이	mm	54
45° 베벨에서 최대 절삭 깊이	mm	45
블레이드 직경	mm	165
블레이드 보어	mm	20
블레이드 팁 너비	mm	2.0
무게	kg	3.4

충전기		SC125	SC200	SC400 SC401
입력 전압	V <sub>AC</sub>	220-240	220-240	220-240
출력 전압	V <sub>DC</sub>	18V (20V MAX)	18V (20V MAX)	18V (20V MAX)
전류	A	1.25	2	4

배터리		SB201	SB202	SB204	SB206
전압	V <sub>DC</sub>	18V (20V MAX)	18V (20V MAX)	18V (20V MAX)	18V (20V MAX)
용량	Ah	1.5	2.0	4.0	6.0
유형		Li-Ion	Li-Ion	Li-Ion	Li-Ion

### 서비스 정보

STANLEY FATMAX는 회사 소유 및 공인 서비스 지점의 전체 지역범위내의 서비스를 제공합니다. 모든 STANLEY FATMAX 서비스 센터에는 교육을 받은 적격 직원이 있습니다.

효율적이고 신뢰할 수 있는 전동 공구 서비스를 제공합니다. 당사의 공인 서비스 센터에 대한 자세한 정보와 기술 상담, 수리 또는 정품 교체 부품이 필요한 경우 가까운 STANLEY FATMAX 지점에 문의하거나 [www.stanleytools.com](http://www.stanleytools.com)을 방문하십시오.



## Tujuan penggunaan

Gergaji bundar STANLEY FATMAX SCC500 anda sudah didesain untuk menggergaji kayu dan produk-produk kayu. Perangkat ini hanya dimaksudkan untuk pengguna bukan ahli, profesional dan pribadi.

## Petunjuk keselamatan

### Peringatan umum untuk keselamatan perkakas listrik



**PERINGATAN:** Baca semua peringatan keamanan, instruksi, ilustrasi, dan spesifikasi yang disertakan bersama perkakas listrik ini. Kegagalan mengikuti seluruh instruksi yang tercantum di bawah ini dapat mengakibatkan sengatan listrik, kebakaran, dan/atau cedera berat

Simpan semua peringatan dan petunjuk untuk referensi di masa mendatang.

Istilah "perkakas listrik" dalam peringatan merujuk pada perkakas listrik beroperasi listrik induk (berkabel) atau perkakas listrik beroperasi baterai (nirkabel).

#### 1. Keselamatan area kerja

- Jaga agar area kerja tetap bersih dan terang.** Area yang berantakan atau gelap berpotensi mengakibatkan kecelakaan.
- Jangan mengoperasikan perkakas listrik ini di lingkungan yang mudah menimbulkan bahaya ledakan, seperti di tempat yang terdapat cairan, gas, atau debu yang mudah terbakar.** Perkakas listrik menimbulkan percikan api yang dapat menyulut debu atau uap.
- Jauhkan anak-anak dan orang-orang di sekitar Anda saat mengoperasikan perkakas listrik.** Gangguan dapat menyebabkan Anda kehilangan kendali.

#### 2. Keselamatan kelistrikan

- Steker perkakas listrik harus sesuai dengan soketnya. Jangan pernah memodifikasi steker dengan cara apa pun.** Jangan gunakan steker adaptor apa pun dengan perkakas listrik yang dibumikan (diardekan). Steker yang tidak dimodifikasi dan stopkontak yang sesuai akan mengurangi risiko sengatan listrik.
- Hindari kontak badan dengan permukaan yang dibumikan (grounded), seperti pipa, radiator, kompor, dan kulkas.** Risiko sengatan listrik dapat meningkat jika tubuh Anda bersentuhan dengan permukaan yang dibumikan.
- Jangan sampai perkakas listrik ini terkena hujan atau terpapar di kondisi yang basah.** Air yang masuk ke perkakas listrik akan meningkatkan risiko sengatan listrik.
- Jangan menyalahgunakan kabel. Jangan sekali-kali menggunakan kabel untuk membawa, menarik, atau**

**mencabut perkakas listrik. Jauhkan kabel dari panas, minyak, tepi tajam, atau komponen yang bergerak.**

Kabel yang rusak atau terbelit meningkatkan risiko sengatan listrik.

- Bila mengoperasikan perkakas listrik di luar ruangan, gunakan kabel ekstensi yang sesuai untuk penggunaan di luar ruangan.** Menggunakan kabel yang sesuai untuk penggunaan di luar ruangan akan mengurangi risiko sengatan listrik.
  - Jika penggunaan perkakas listrik di lokasi yang lembap tidak dapat dihindari, gunakan suplai yang terlindung oleh perangkat arus sisa (RCD).** Penggunaan RCD akan mengurangi risiko sengatan listrik.
- Keselamatan diri**
    - Tetap waspada, perhatikan apa yang Anda kerjakan dan gunakan dalam keadaan sehat saat mengoperasikan perkakas listrik. Jangan mengoperasikan perkakas listrik bila Anda sedang lelah, atau berada di bawah pengaruh obat, alkohol, atau pengobatan.** Kelengahan sesaat saat mengoperasikan perkakas listrik dapat mengakibatkan cedera diri serius.
    - Gunakan peralatan pelindung diri. Selalu kenakan alat pelindung mata.** Peralatan pelindung, seperti masker debu, sepatu keselamatan antiselip, helm proyek, atau pelindung telinga yang digunakan untuk kondisi yang sesuai akan mengurangi risiko cedera diri.
    - Hindarkan menyalakan alat tanpa disengaja. Pastikan bahwa sakelar sudah dalam posisi mati sebelum menghubungkannya ke sumber listrik dan/atau baterai, mengambil, atau membawa alat.** Membawa perkakas listrik dengan jari Anda masih menempel pada tombol atau menghidupkan perkakas listrik yang tombolnya masih menyala akan berpotensi mengakibatkan kecelakaan.
    - Lepaskan semua kunci setelan atau kunci pas sebelum menghidupkan perkakas listrik.** Kunci pas atau kunci yang dibiarkan terpasang pada komponen perkakas listrik yang berputar dapat mengakibatkan cedera diri.
    - Jangan melampaui batas penggunaan. Selalu jaga pijakan dan keseimbangan yang baik.** Hal ini memungkinkan Anda untuk mengendalikan perkakas listrik secara lebih baik dalam situasi yang tidak terduga.
    - Kenakan pakaian yang sesuai. Jangan mengenakan pakaian longgar atau perhiasan. Jauhkan rambut, pakaian dan sarung tangan dari komponen yang bergerak.** Pakaian yang longgar, perhiasan atau rambut panjang dapat tersangkut pada komponen yang bergerak.
    - Jika disediakan perangkat untuk sambungan fasilitas pengeluaran dan pengumpulan debu, pastikan perangkat ini dihubungkan dan digunakan dengan sesuai.** Penggunaan alat pengumpul debu dapat

mengurangi bahaya yang ditimbulkan oleh debu.

- h. **Jangan biarkan karena keseringan menggunakan alat membuat Anda berpuas diri dan mengabaikan prinsip keselamatan alat.** Tindakan ceroboh dapat menyebabkan cedera parah dalam hitungan sepersekian detik.
4. **Penggunaan dan pemeliharaan perkakas listrik**
    - a. **Jangan menggunakan perkakas listrik dengan sembarang. Gunakan perkakas listrik yang sesuai untuk aplikasi Anda.** Perkakas listrik yang tepat akan bekerja lebih baik dan aman pada tingkatan kerja yang telah dirancang untuk alat itu.
    - b. **Jangan gunakan perkakas listrik ini jika tombol tidak dapat menghidupkan dan mematikan alat.** Perkakas listrik apa pun yang tidak dapat dikendalikan dengan tombol adalah berbahaya dan harus diperbaiki.
    - c. **Lepaskan stopkontak dari sumber listrik dan/atau baterai dari perkakas listrik sebelum melakukan penyetulan apa pun, mengganti aksesoris, atau menyimpan perkakas listrik.** Tindakan pencegahan untuk keselamatan seperti itu akan mengurangi risiko menyalakan perkakas listrik secara tidak disengaja.
    - d. **Simpan perkakas listrik yang tidak digunakan jauh dari jangkauan anak-anak, dan jangan membolehkan orang yang tidak memahami perkakas listrik atau petunjuk ini untuk mengoperasikannya.** Perkakas listrik dapat berbahaya bila digunakan oleh pengguna yang tidak terlatih.
    - e. **Rawat perkakas listrik.** Lakukan pemeriksaan untuk mengetahui apakah ada komponen bergerak yang tidak sejajar atau bengkok, komponen yang patah, dan kondisi lainnya yang dapat memengaruhi pengoperasian perkakas listrik. Jika rusak, perbaiki perkakas listrik sebelum digunakan. Banyak terjadi kecelakaan akibat perkakas listrik yang tidak terawat dengan baik.
    - f. **Jaga ketajaman dan kebersihan alat pemotong.** Alat pemotong yang terawat dengan baik dengan mata potong yang tajam akan kecil kemungkinannya untuk macet serta lebih mudah untuk dikendalikan.
    - g. **Gunakan perkakas listrik, aksesoris, dan mata bor, dsb., sesuai petunjuk ini, dengan memperhitungkan persyaratan kerja dan jenis pekerjaan yang harus dilakukan.** Penggunaan perkakas listrik untuk pengoperasian yang tidak sesuai dengan tujuan penggunaan dapat mengakibatkan situasi yang berbahaya.
    - h. **Jaga agar pegangan dan permukaan pegangan tetap kering, bersih, dan bebas dari minyak dan lemak.** Pegangan dan permukaan pegangan yang licin tidak memungkinkan untuk melakukan penanganan dan pengendalian alat dengan aman saat dalam situasi tak terduga..
  5. **Penggunaan dan pemeliharaan perkakas bertenaga baterai**
    - a. **Isi ulang daya hanya menggunakan pengisi daya yang ditentukan oleh pabrikan.** Pengisi daya yang cocok untuk satu tipe baterai dapat menimbulkan risiko kebakaran jika digunakan pada baterai lainnya.
    - b. **Gunakan perkakas hanya dengan baterai yang ditujukan secara khusus.** Penggunaan baterai lainnya dapat menimbulkan risiko cedera dan kebakaran.
    - c. **Pada saat baterai tidak digunakan, jauhkan baterai dari benda logam seperti klip penjepit kertas, koin, kunci, unit, sekrup, atau benda logam kecil lainnya yang dapat membuat hubungan dari satu terminal dengan terminal lainnya.** Menghubungkan kedua terminal baterai dengan kabel secara tidak semestinya dapat mengakibatkan luka bakar atau kebakaran.
    - d. **Pemakaian yang salah bisa menyebabkan keluarnya cairan dari baterai; hindari kontak.** Jika tidak sengaja tersentuh, bilas dengan air. Jika cairan mengenai mata, carilah juga bantuan medis. Cairan yang keluar dari baterai dapat menyebabkan iritasi atau luka bakar.
    - e. **Jangan gunakan baterai atau alat yang rusak atau telah dimodifikasi.** Baterai yang rusak atau telah dimodifikasi dapat menunjukkan sifat yang tidak dapat diprediksi yang dapat mengakibatkan kebakaran, ledakan atau risiko cedera.
    - f. **Jangan dekatkan baterai atau perkakas ke api atau suhu berlebihan.** Paparan pada api atau suhu di atas 130 °C dapat menyebabkan ledakan.
    - g. **Ikuti semua petunjuk pengisian daya dan jangan isi baterai atau perkakas di luar rentang suhu yang ditetapkan dalam petunjuk.** Mengisi daya tidak semestinya atau pada suhu di luar rentang yang ditetapkan dapat merusak baterai dan meningkatkan risiko kebakaran.
  6. **Servis**
    - a. **Perkakas listrik sebaiknya diservis oleh teknisi yang berkualifikasi dan hanya menggunakan komponen pengganti yang persis sama.** Hal ini akan membuat keamanan perkakas listrik selalu terjaga.
    - b. **Jangan pernah melakukan servis baterai yang rusak.** Servis baterai hanya dapat dilakukan oleh produsen atau penyedia layanan resmi.

## Instruksi Keamanan Tambahan untuk semua gergaji

### Prosedur pemotongan

- **BAHAYA!** Jauhkan tangan dari daerah pemotongan dan pisaunya. Letakkan tangan kedua anda pada pegangan bantu, atau motor housing. Bila kedua tangan memegang gergaji, mereka tidak bisa dipotong oleh pisaunya.
- Jangan pegang bagian dibawah bahan kerja. Pelindung alat tidak bisa melindungi anda dari pisau yang berada di bawah bahan kerja.
- Sesuaikan kedalaman pemotongan dengan ketebalan bahan kerja. Kurang dari seluruh gigi pisau harus terlihat dibawah bahan kerja.
- Jangan pernah dengan tangan anda atau kaki anda memegang benda yang dipotong. Kencangkan bahan kerja pada platform yang stabil. Penting untuk menyangga hasil kerja dengan tepat untuk meminimalisir paparan pada tubuh, pisau tersangkut, atau hilangnya kendali.
- Pegang perkakas listrik pada permukaan pegangan berpenyekat saat melakukan pengoperasian di mana aksesoris pemotong dapat bersentuhan dengan kabel tersembunyi. Aksesoris pemotong yang bersentuhan dengan kabel bertegangan listrik dapat mengalirkan arus listrik pada komponen logam perkakas listrik dan mengakibatkan sengatan listrik pada pengguna.
- Saat memotong, selalu gunakan pembatas pemotong (rip fence) atau pelindung tepi yang lurus. Hal ini meningkatkan akurasi potongan dan mengurangi peluang tersangkutnya pisau.
- Selalu gunakan pisau dengan ukuran dan bentuk lubang yang tepat (wajib versus bundar) dari punjung mata bor. Pisau yang tidak sesuai dengan perkakas pemasangan dari gergaji akan berjalan dengan aneh, bisa terjadi kehilangan kendali.
- Jangan pernah menggunakan ring pisau atau baut yang rusak atau tidak tepat. Ring pisau dan baut didesain secara khusus untuk gergaji anda, untuk performa optimal dan untuk keamanan operasional alat.

## Instruksi keamanan lebih lanjut untuk semua gergaji

### Penyebab kickback dan peringatan terkait

- Kickback adalah reaksi mendadak pada pisau gergaji yang terjepit, tersangkut atau tidak sejajar, menyebabkan pisau gergaji yang tidak terkontrol untuk terangkat dan keluar dari alat kerja ke arah operator;

- Saat pisau dijepit atau dipasang dengan kuat pada garitan yang menutup, pisau menjadi mogok dan reaksi dari motor membuat unit terdorong cepat kembali kearah operator;
- Bila pisau menjadi bengkok atau tidak sejajar pada potongan, gigi tepi belakang pisau bisa masuk terbenam ke bagian atas permukaan kayu yang menyebabkan pisau keluar dari garitan dan lompat keluar kearah operator.

Reaksi balik merupakan dampak dari penyalahgunaan alat listrik dan/atau prosedur atau kondisi pengoperasian yang salah, dan dapat dihindari dengan jalan mengikuti langkahlangkah pencegahan di bawah ini:

- a. **Pertahankan genggaman erat dengan menggunakan kedua tangan pada gergaji dan posisikan lengan anda untuk menahan reaksi kickback.** Posisikan tubuh anda pada sisi pisau mana saja, namun yang tidak sejajar dengan pisaunya. Reaksi kickback bisa menyebabkan gergaji untuk terlempar ke belakang, tetapi reaksi kickback bisa dikendalikan oleh operator, bila melakukan tindakan pencegahan yang tepat.
- b. Saat pisau tersangkut, atau saat menyelang potongan untuk alasan apapun, lepaskan trigger dan tahan gergaji agar tidak bergerak dalam material sampai bilah pisau benar-benar berhenti. Jangan pernah mencoba melepaskan gergaji dari hasil kerja atau menarik gergaji ke belakang saat pisau sedang bergerak atau bisa terjadi reaksi kickback. Periksa dan ambil langkah perbaikan untuk mengeliminasi penyebab tersangkutnya bilah pisau.
- c. Saat memulai ulang gergaji pada alat kerja, pusatkan pisau gergaji dalam garitan dan periksa bila gigi gergaji tidak terhubung ke dalam bahan. Bila pisau gergaji tersangkut, bisa menyala atau muncul reaksi kickback dari alat kerja saat gergaji dinyalakan ulang.
- d. Sangga panel-panel besar untuk meminimalisir risiko terjepitnya pisau dan reaksi kickback. Panel-panel besar cenderung merosot dibawah berat alat mereka. Penyangga harus ditempatkan dibawah panel pada kedua sisi, berdekatan dengan garis potongan dan tepi panel.
- e. Jangan gunakan pisau yang tumpul atau rusak. Pisau yang tidak diasah atau tidak tepat pengaturannya menghasilkan garitan yang sempit dan menyebabkan friksi berlebihan, tersangkutnya pisau dan reaksi kickback.
- f. Kedalaman pisau dan tuas pengunci untuk menyesuaikan kemiringan harus kencang dan aman sebelum mulai memotong. Bila terjadi pergeseran kesesuaian pisau selama memotong, bisa menyebabkan pisau tersangkut dan muncul reaksi kickback.

- g. **Harus ekstra hati-hati saat menggergaji dinding yang sudah atau daerah lain yang sulit dilihat. Pisau yang menonjol bisa memotong benda yang dapat menyebabkan reaksi kickback.**

### Fungsi pelindung bagian bawah

- a. **Periksa pelindung bagian bawah untuk penutupan yang tepat sebelum masing-masing penggunaan. Jangan menyalakan gergaji bila pelindung bagian bawah tidak bisa bergerak bebas dan menutup saat itu juga. Jangan pernah mengapit atau mengikat pelindung bagian bawah ke dalam posisi terbuka.** Bila gergaji jatuh secara tidak sengaja, pelindung bagian bawah bisa bengkok. Naikkan pelindung bagian bawah dengan gagang yang bisa ditarik kembali dan pastikan alat bisa bergerak bebas serta tidak menyentuh pisau atau bagian lainnya, pada semua sudut dan kedalaman potongan.
- b. **Periksa operasional pegas pelindung bagian bawah. Bila pelindung dan pegas tidak berjalan dengan benar, alat harus diperbaiki dulu sebelum digunakan.** Pelindung bagian bawah bisa beroperasi dengan lambat karena adanya bagian yang rusak, lapisan yang lekat, atau ada tumpukan serbuk.
- c. **Pelindung bagian bawah bisa ditarik kembali secara manual hanya pada potongan khusus seperti “plunge cuts” dan “compound cuts”.** Naikkan pelindung bagian bawah dengan menarik kembali pegangan dan segera setelah pisau memasuki bahan, pelindung bagian bawah harus dilepaskan. Untuk semua proses gergaji lainnya, pelindung bagian bawah harus beroperasi secara otomatis.
- d. **Selalu awasi agar pelindung bagian bawah menutupi pisau sebelum menempatkan gergaji pada bangku atau lantai.** Pisau yang tidak terlindungi dan meluncur akan menyebabkan gergaji berjalan ke belakang, memotong apapun yang ada di hadapannya. Berhati-hatilah pada saat pisau mulai berhenti setelah saklar dilepaskan.

### Keselamatan orang lain

- Peralatan ini tidak ditujukan untuk pengguna (termasuk anak-anak) yang menderita kekurangan kemampuan fisik, sensorik, atau mental, atau kurang pengalaman dan pengetahuan, kecuali mereka diawasi atau diarahkan dalam penggunaan peralatan ini oleh pihak-pihak yang bertanggung jawab atas keselamatan mereka.
- Anak-anak harus diawasi agar mereka tidak bermain-main dengan peralatan ini.

### Risiko-risiko lain

Risiko-risiko lain dapat timbul saat menggunakan alat, yang mungkin tidak tercantum dalam peringatan keselamatan yang disertakan. Risiko-risiko ini dapat diakibatkan oleh penyalahgunaan, penggunaan yang terlalu lama, dsb.

Sekalipun peraturan keselamatan terkait sudah diterapkan dan peralatan pengaman sudah digunakan, risiko residual tertentu tidak dapat dihindari. Ini meliputi:

- Cedera yang diakibatkan karena menyentuh komponen apa pun yang berputar/bergerak.
- Cedera yang terjadi saat mengganti komponen, pemotong, atau aksesori.
- Cedera yang diakibatkan karena penggunaan alat untuk waktu lama. Jika menggunakan alat apa pun untuk waktu yang lama, pastikan Anda mengistirahatkannya secara berkala.
- Kerusakan indra pendengaran.
- Bahaya kesehatan yang disebabkan oleh menghirup debu yang ditimbulkan oleh penggunaan alat (contoh: mengampelas kayu, khususnya kayu oak, beech, dan MDF)

### Pisau gergaji

- **Jangan gunakan pisau dengan diameter yang lebih besar atau kecil dari yang direkomendasikan. Untuk penilaian pisau yang tepat bisa mengacu pada data teknis. Hanya gunakan pisau yang disebutkan khusus dalam annual ini, mematuhi EN 847-1.**
- **Peringatan! Jangan pernah gunakan roda abrasif.**

### Label pada alat

Label pada alat Anda dapat memuat simbol-simbol berikut ini.

	PERINGATAN! Untuk mengurangi risiko cedera, pengguna harus membaca buku petunjuk sebelum digunakan.		
	Kenakan kacamata pengaman atau pelindung.		
	Gunakan pelindung telinga.		
	Kenakanlah masker debu.		
V	Voltase	===	Arus Langsung (DC)
A	Ampere	$n_0$	Kecepatan nominal
Hz	Hertz		Konstruksi Kelas II
W	Watts		Terminal Arde (Pentanahan)
min	menit		Simbol Waspada Keselamatan
	Arus Bolak-Balik (AC)	/min.	Putaran atau putaran bolak-balik per menit

## Posisi kode tanggal

Kode Tanggal, yang juga mencantumkan tahun produksi, dicetak pada kerangka alat.

Contoh:

2020 XX JN  
Tahun pembuatan

## Petunjuk keselamatan tambahan untuk baterai dan pengisi daya

### Baterai

- Jangan pernah membuka baterai dengan maksud apa pun.
- Jangan biarkan baterai terkena air.
- Jangan simpan di lokasi yang suhunya melebihi 40 °C.
- Lakukan pengisian daya hanya pada suhu lingkungan antara 10 °C hingga 40 °C.
- Hanya mengisi daya menggunakan alat pengisi daya yang disediakan bersama alat.
- Saat membuang baterai, ikuti petunjuk yang diberikan dalam bagian "Melindungi Lingkungan".

### Pengisi daya

- Gunakan pengisi daya STANLEY FATMAX hanya untuk mengisi daya baterai dalam peralatan/alat yang diberikan bersama pengisi daya. Baterai lain dapat meledak, mengakibatkan cedera badan dan kerusakan
- Jangan coba mengisi daya baterai yang tidak dapat diisi ulang.
- Segera ganti kabel yang rusak.
- Jauhkan pengisi daya dari air.
- Jangan buka pengisi daya.
- Jangan tusuk pengisi daya.



Pengisi daya ini hanya ditujukan untuk penggunaan di dalam ruangan.



Bacalah buku petunjuk sebelum menggunakan.



Jangan pernah mengisi ulang daya baterai rusak.

## Keselamatan kelistrikan



Pengisi daya Anda diisolasi secara ganda; karenanya tidak memerlukan kawat tanah. Selalu pastikan bahwa tegangan daya sesuai dengan tegangan pada pelat nilai arus. Jangan coba mengganti unit pengisi daya dengan konektor daya biasa

- Kabel daya yang rusak harus diganti oleh produsen atau Pusat Layanan resmi FatMax Service untuk menghindari bahaya.



**Peringatan!** Jangan pernah mencoba mengganti unit pengisi daya dengan steker utama biasa.

## Fitur-fitur

Alat ini meliputi beberapa atau semua fitur-fitur berikut.

1. Saklar on/off
2. Tombol pengunci
3. Pegangan utama
4. Pegangan tambahan
5. Tombol kunci spindel
6. Alas
7. Kunci allen
8. Pelindung bagian bawah
9. Outlet serbuk gergaji
10. Baterai

## Gunakan



**Peringatan!** Biarkan alat bekerja dalam kecepatannya sendiri. Jangan berikan muatan berlebih.

## Mengisi daya baterai (Gbr. A)

Daya baterai perlu diisi sebelum digunakan pertama kalinya dan kapanpun saat alat gagal menghasilkan daya yang cukup untuk pekerjaan yang dengan mudah dilakukan sebelumnya. Baterai bisa menjadi hangat saat pengisian daya; hal ini normal dan tidak menandakan adanya masalah.




**Peringatan!** Jangan mengisi daya baterai pada suhu ruangan di bawah 10°C atau diatas 40°C. Suhu pengisian daya yang direkomendasikan: sekitar 24°C.

**Catatan: Pengisi daya tidak akan mengisi daya baterai bila suhu sel di bawah kurang lebih 10°C atau di atas 40°C. Baterai harus ditinggalkan dalam pengisi daya dan pengisi daya akan mulai mengisi secara otomatis saat suhu sel mulai menghangat atau mendingin.**

**Catatan:** Untuk memastikan performa maksimal dan masa hidup unit baterai litium-ion, isi daya unit baterai sampai penuh sebelum penggunaan pertama.

- Masukkan kabel pengisi daya (11) ke dalam outlet soket yang sesuai sebelum memasukkan unit baterai (10).
- Cahaya pengisian daya hijau (11a) akan berkedip terus-menerus yang menandakan bahwa proses pengisian daya sudah dimulai.
- Penyelesaian pengisian daya akan ditandai dengan lampu hijau pengisian daya (11a) yang terus MENYALA tanpa henti. Daya unit baterai (10) sudah terisi penuh dan bisa dilepaskan serta digunakan saat ini atau ditinggalkan dalam pengisi daya (11).
- Isi daya baterai yang habis dalam 1 minggu. Masa hidup baterai akan sangat berkurang bila disimpan dalam keadaan daya yang habis.

## Mode LED Pengisi daya

	<b>Mengisi daya:</b> LED Hijau berkedip berulang kali	
	<b>Daya Terisi Penuh:</b> LED Hijau Terang	
	<b>Penundaan Unit Panas/Dingin:</b> LED Hijau berkedip berulang kali LED Merah Terang	

**Catatan:** Pengisi daya yang sesuai tidak akan mengisi daya unit baterai yang rusak. Pengisi daya akan menandakan bahwa unit baterai rusak dengan tidak menyalakan lampu.

**Catatan:** Hal ini juga bisa menandakan adanya masalah dengan pengisi daya. Bila pengisi daya memberi tanda adanya masalah, ambil pengisi daya dan unit baterai untuk diperiksa pada pusat layanan resmi.

### Tinggalkan baterai dalam pengisi daya

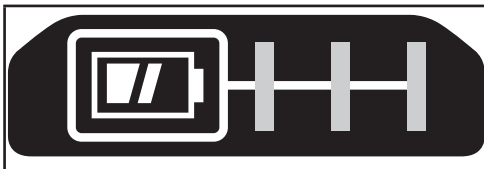
Pengisi daya dan unit baterai bisa ditinggalkan terhubung dengan LED yang menyala terang tanpa batas waktu. Pengisi daya akan menjaga unit baterai tetap baru dengan daya terisi penuh. Perangkat ini hanya dimaksudkan untuk penggunaan pribadi, professional dan non-profesional

### Pengaturan Unit Panas/Dingin

Saat pengisi daya menemukan bahwa baterai terlalu panas atau terlalu dingin, alat akan secara otomatis menyalakan Pengaturan Unit Panas/Dingin, LED hijau (11a) akan berkedip secara berulang kali, sembari LED merah (11b) akan menyala terus-menerus, menunda pengisian daya sampai baterai sudah mencapai suhu yang sesuai. Pengisi daya akan secara otomatis berganti mode menjadi mode pengisian unit. Fitur ini memastikan agar masa hidup baterai maksimal.

### Indikator keadaan pengisian daya baterai (Gbr. B)

Baterai memiliki indikator keadaan pengisian daya untuk menentukan dengan cepat lamanya masa hidup baterai seperti yang diperlihatkan gambar B. Dengan menekan tombol keadaan pengisian daya (10a) anda bisa melihat dengan mudah sisa pengisian daya seperti yang diilustrasikan gambar B.



## Memasang dan Melepaskan Unit Baterai dari alat



**Peringatan!** Pastikan tombol pengunci sudah terkunci untuk mencegah aktuasi saklar sebelum melepas atau memasang baterai.

### Untuk memasang unit baterai (Gbr. C)

- Masukkan unit baterai dengan kuat ke dalam alat sampai terdengar bunyi klik yang diperlihatkan gambar C. Pastikan unit baterai terduduk sepenuhnya dan terkunci seluruhnya ke dalam posisi.

### Untuk melepas unit baterai (Gbr. D)

- Tekan tombol pelepas baterai (10b) seperti yang diperlihatkan gambar D dan tarik unit baterai keluar alat.

## Melepaskan dan memasang pisau gergaji (Gbr. E)

### Melepaskan

- Jaga agar tombol kunci spindel (5) menurun dan putar pisau sampai kunci spindel terkunci.
- Longgarkan dan lepas baut yang menahan pisau (14) dengan memutarinya searah jarum jam menggunakan kunci Allen (7) yang disediakan.
- Lepaskan ring (washer) bagian luar (13).
- Lepaskan pisau gergaji (15).

### Memasangkan

- Letakkan pisau gergaji (15) pada flens (flange) bagian dalam (12), pastikan panah pisau menunjuk ke arah yang sama pada panah alat.
- Paskan ring bagian luar (13) pada spindel, dengan bagian yang menonjol menunjuk menjauhi pisau gergaji.
- Masukkan baut penahan pisau (14) ke dalam lubang.
- Jaga agar tombol pengunci spindel (5) tertekan turun.
- Kencangkan dengan aman baut penahan pisau dengan memutar baut berlawanan arah jarum jam menggunakan kunci Allen (7) yang disediakan.

### Menyesuaikan sudut gergaji (Gbr. F)

Gunakan kotak persegi untuk memeriksa bila sudut antara pisau gergaji (15) dengan sepatu adalah 90o. Bila sudut tidak 90o maka sesuaikan seperti berikut:

- Longgarkan kenop pengunci (17) untuk membuka alas gergaji.
- Longgarkan mur pengunci pada baut penyetel (16).
- Pasang baut penyetel ke dalam atau keluar untuk mendapatkan sudut 90o.
- Kencangkan ulang mur pengunci.
- Kencangkan kenop pengunci untuk mengunci alas gergaji pada tempatnya.



## Sesuaikan kedalaman potongan (Gbr. G)

Kedalaman potongan harus diatur menurut kedalaman alat kerja. Kedalamannya harus melebihi ketebalan sekitar 2 mm.

- Longgarkan kenop (18) untuk membuka kunci alas gergaji.
- Pindahkan alas gergaji (6) pada posisi yang diinginkan.
- Kencangkan kenop untuk mengunci alas gergaji pada tempatnya.

## Sesuaikan sudut kemiringan (Gbr. H)

This tool can be set to bevel angles between 0° and 45°.

- Longgarkan kenop pengunci (19) untuk membuka alas gergaji.
- Pindahkan alas gergaji (6) pada posisi yang diinginkan. Sudut kemiringan yang sesuai bisa dibaca dari skala (20).
- Kencangkan kenop pengunci untuk mengunci alas gergaji pada tempatnya.

## Mengganti on dan off

- Untuk menyalakan alat, tekan tombol pengunci kebawah (2) dan remas saklar on/off (1).
- Untuk mematikan alat, lepaskan saklar on/off.

## Menggergaji

Selalu pegang alat dengan kedua tangan.

- Biarkan pisau berjalan dengan bebas selama beberapa detik sebelum memulai pemotongan.
- Hanya berikan tekanan yang lembut pada alat selama memotong.
- Bekerjalah dengan papan alas yang ditekan pada alat kerja.

**Catatan:** Jaga agar ujung pisau tidak terlalu panas.

## Menggunakan panduan pembidik (Gbr. I)

Alat ini dilengkapi dengan panduan pembidik untuk pemotongan lurus (21) dan pemotongan kemiringan 45° (22).

- Sejajarkan tepi kiri panduan (21) atau (22) dengan garis potongan (23).
- Jaga panduan pembidik agar sejajar dengan garis potongan selama menggergaji.
- Bekerjalah dengan papan alas yang ditekan pada alat kerja.

## Pengeluaran serbuk

Diperlukan adaptor untuk menghubungkan penyedot debu atau ekstraktor serbuk pada alat.

- Masukkan adaptor pengeluaran serbuk ke dalam outlet serbuk gergaji (9).
- Hubungkan selang penyedot debu pada adaptor.

## Petunjuk untuk penggunaan optimal

- Selalu gunakan jenis pisau gergaji yang tepat untuk bahan alat kerja dan jenis potongannya.
- Selalu pegang alat dengan kedua tangan.
- Biarkan pisau berjalan dengan bebas selama beberapa detik sebelum memulai pemotongan.

- Hanya berikan tekanan yang lembut pada alat selama memotong.
- Bekerjalah dengan papan alas yang ditekan pada alat kerja.
- Saat beberapa serpihan di sepanjang garis potongan pada sisi atas alat kerja tidak bisa dihindari, potonglah pada sisi yang cocok untuk adanya serpihan.
- Saat serpihan harus diminimalisir, contoh saat memotong laminasi, jepit sepotong kayu lapis di atas alat kerja.
- Sangga panel-panel besar untuk meminimalisir risiko terjepitnya pisau dan reaksi kickback. Panel-panel besar cenderung merosot dibawah berat alat mereka.
- Penyangga harus ditempatkan dibawah panel pada kedua sisi, berdekatan dengan garis potongan dan tepi panel yang dipotong.
- Jangan pernah dengan tangan anda atau kaki anda memegang benda yang dipotong.
- Amankan alat kerja pada platform yang stabil menggunakan penjepit. Penting untuk menyangga hasil kerja dengan tepat untuk meminimalisir paparan pada tubuh, pisau tersangkut, atau hilangnya kendali.

## Aksesoris

Performa perangkat anda bergantung pada aksesoris yang digunakan. Aksesoris STANLEY FATMAX dirancang dengan standar berkualitas tinggi dan didesain untuk meningkatkan performa perangkat anda. Dengan menggunakan aksesoris ini anda akan mendapatkan performa terbaik dari alat anda.

## Pemeliharaan

Perkakas listrik STANLEY telah dirancang untuk penggunaan jangka panjang dengan pemeliharaan minimal. Pengoperasian yang memuaskan secara terus-menerus bergantung pada cara pemeliharaan yang benar dan pembersihan alat secara teratur. Pengisi daya anda tidak memerlukan pemeliharaan apapun selain pembersihan alat secara teratur.



**Peringatan!** Sebelum melakukan pemeliharaan apapun pada alat, lepaskan baterai dari alat. Cabut pengisi daya sebelum membersihkan alat.

- Bersihkan lubang angin di perangkat Anda secara teratur menggunakan sikat lembut atau kain kering.
- Bersihkan kerangka motor secara teratur dengan menggunakan kain bersih yang lembut.
- Jangan gunakan bahan pembersih abrasif atau pembersih berbahan dasar larutan apa pun.

## Melindungi lingkungan



Pembuangan terpisah. Produk dan baterai yang ditandai dengan simbol ini tidak boleh dibuang bersama dengan sampah rumah tangga biasa.



Produk dan baterai berisi bahan yang dapat digunakan kembali atau didaur ulang yang mengurangi permintaan kebutuhan bahan baku. Harap mendaur ulang produk listrik dan baterai sesuai dengan ketentuan setempat. Informasi selengkapnya tersedia di [www.2helpU.com](http://www.2helpU.com).

## Data teknis

		SCC500
Voltase	$V_{DC}$	18V (20V MAX)
Kecepatan tanpa beban	$\text{Min}^{-1}$	4000
Kedalaman maksimal potongan	mm	54
Kedalaman maksimal potongan pada kemiringan 45o	mm	45
Diameter pisau	mm	165
Lubang pisau	mm	20
Lebar ujung pisau	mm	2.0
Berat	kg	3.4

Pengisi daya		SC125	SC200	SC400 SC401
Voltase Input	$V_{AC}$	220-240	220-240	220-240
Tegangan keluaran	$V_{DC}$	18V (20V MAX)	18V (20V MAX)	18V (20V MAX)
Arus	A	1.25	2	4

Baterai		SB201	SB202	SB204	SB206
Voltase	$V_{DC}$	18V (20V MAX)	18V (20V MAX)	18V (20V MAX)	18V (20V MAX)
Kapasitas	Ah	1.5	2.0	4.0	6.0
Tipe		Li-Ion	Li-Ion	Li-Ion	Li-Ion

## INFORMASI LAYANAN

STANLEY FATMAX menawarkan sebuah jaringan penuh milik perusahaan dan berada di tempat layanan resmi. Semua Pusat Layanan STANLEY FATMAX diisi oleh petugas terlatih untuk memberikan

Layanan perkakas listrik yang efisien dan bisa diandalkan pada pelanggan. Untuk informasi lebih lanjut mengenai pusat layanan resmi kami dan bila anda memerlukan saran teknis, perbaikan atau penggantian bagian alat asli dari pabrik, hubungi lokasi STANLEY FATMAX terdekat anda atau kunjungi kami pada [www.stanleytools.com](http://www.stanleytools.com).

## วัตถุประสงค์ในการใช้งาน

เลื่อยวงเดือนรุ่น SCC500 ของ STANLEY FATMAX ของคุณได้รับการออกแบบมาสำหรับการเลื่อยไม้และผลิตภัณฑ์ไม้ เครื่องมือนี้เหมาะสำหรับการใช้งานแบบมืออาชีพและส่วนบุคคลและสำหรับผู้ที่ไม่ได้เป็นมืออาชีพ

## ข้อปฏิบัติเพื่อความปลอดภัย

### คำเตือนเพื่อความปลอดภัยสำหรับเครื่องมือไฟฟ้าทั่วไป



คำเตือน: อ่านคำเตือน ข้อปฏิบัติเพื่อความปลอดภัยทั้งหมด รวมทั้งภาพประกอบและข้อมูลที่ให้มาเกี่ยวกับเครื่องมือไฟฟ้านี้ การไม่ปฏิบัติตามคำเตือนและข้อปฏิบัติเหล่านี้อาจทำให้เกิดไฟฟ้าช็อต เกิดอัคคีภัย และ/หรือบาดเจ็บสาหัสได้

จัดเก็บเอกสารคำเตือนและคำแนะนำทั้งหมดไว้เพื่อการอ้างอิงในภายหลัง

คำว่า "เครื่องมือไฟฟ้า" ในคำเตือน หมายถึง เครื่องมือไฟฟ้า (แบบมีสาย) ที่ทำงานผ่านแหล่งจ่ายไฟหลัก หรือ เครื่องมือไฟฟ้า (แบบไร้สาย) ที่ทำงานผ่านแบตเตอรี่

#### 1. ความปลอดภัยในบริเวณที่ทำงาน

- รักษาความสะอาดและจัดให้มีแสงสว่างเพียงพอในบริเวณที่ทำงาน บริเวณที่มีมืดหรือมีของวางระเกะระกะอาจทำให้เกิดอุบัติเหตุได้
- ห้ามใช้เครื่องมือไฟฟ้าในบริเวณที่อาจเกิดการระเบิด เช่น ในสถานที่ที่มีของเหลว แก๊ส หรือฝุ่นละอองที่มีคุณสมบัติไวไฟ เครื่องมือไฟฟ้าจะทำให้เกิดประกายไฟที่อาจทำให้เกิดประกายไฟหรือเปลวไฟขึ้นได้
- ระวังไม่ให้เด็กและคนเดินผ่านไปมาเข้าใกล้ในขณะที่ใช้งานเครื่องมือไฟฟ้า สิ่งรบกวนอาจทำให้คุณเสียสมาธิได้

#### 2. ความปลอดภัยทางไฟฟ้า

- ปลั๊กไฟของเครื่องต้องเป็นชนิดเดียวกับตัวรับ ห้ามตัดแปลงปลั๊กไม่ว่าด้วยวิธีใด ห้ามใช้ปลั๊กอะแดปเตอร์ใดๆ กับเครื่องมือไฟฟ้าที่ต่อสายดิน (ลงกราวด์) ปลั๊กที่ไม่มีการตัดแปลงและตัวรับชนิดเดียวกันจะลดความเสี่ยงจากการเกิดไฟฟ้าช็อต
- หลีกเลี่ยงการสัมผัสพื้นผิวที่ต่อสายดินหรือลงกราวด์ เช่น ท่อ หม้อน้ำ เตาหุงต้ม และตู้เย็น มีความเสี่ยงเพิ่มขึ้นที่จะเกิดไฟฟ้าช็อตหากร่างกายเป็นสื่อเชื่อมต่อลงดินหรือลงกราวด์
- อย่าให้เครื่องมือไฟฟ้าถูกฝนหรืออยู่ในสภาพที่เปียกชื้น นำที่เข้าเครื่องมือไฟฟ้าจะเพิ่มความเสี่ยงในการเกิดไฟฟ้าช็อต
- ห้ามใช้สายไฟผิดวัตถุประสงค์ ห้ามใช้สายไฟ

เพื่อการหัว ดึง หรือถอดปลั๊กเครื่องมือไฟฟ้า เก็บสายไฟให้พ้นจากความร้อน น้ำมัน ของมีคม หรือ ชิ้นส่วนที่กำลังเคลื่อนที่ สายไฟที่ชำรุดหรือพันกันเป็นการเพิ่มความเสี่ยงจากการถูกไฟฟ้าช็อต

- เมื่อใช้เครื่องมือไฟฟ้านอกอาคาร ให้ใช้สายต่อพ่วงที่เหมาะสมสำหรับการใช้งานนอกอาคาร ใช้สายไฟที่เหมาะสมสำหรับใช้กลางแจ้งจะช่วยลดความเสี่ยงต่อการเกิดไฟฟ้าช็อต
- หากไม่สามารถหลีกเลี่ยงการใช้เครื่องมือไฟฟ้าในบริเวณที่ชื้นและได้ ให้ใช้อุปกรณ์ป้องกันไฟดูด (RCD) การใช้ RCD จะช่วยลดความเสี่ยงในการถูกไฟฟ้าช็อต

#### 3. ความปลอดภัยส่วนบุคคล

- ตื่นตัวและมีสมาธิกับสิ่งที่คุณกำลังทำ รวมทั้งใช้สามัญสำนึก ในขณะที่กำลังใช้งานเครื่องมือไฟฟ้า ห้ามใช้เครื่องมือไฟฟ้าในขณะที่คุณกำลังเหนื่อยหรือได้รับอิทธิพลจากยา แอลกอฮอล์ การรักษาบางอย่าง การขาดความระมัดระวังในการใช้เครื่องมือไฟฟ้าแม้ชั่วขณะหนึ่งอาจทำให้บาดเจ็บสาหัสได้
- ใช้อุปกรณ์คุ้มครองความปลอดภัยส่วนบุคคลสวมอุปกรณ์ป้องกันดวงตาเสมอ อุปกรณ์ป้องกัน เช่น หน้ากากกันฝุ่น รองเท้านิรภัยกันลื่น หมวกนิรภัยหรืออุปกรณ์ป้องกันเสียงดังที่ใช้ในสถานที่ที่เหมาะสมจะช่วยลดอาการบาดเจ็บทางร่างกาย
- ป้องกันเครื่องเปิดทำงานโดยไม่ตั้งใจ สวิตช์ต้องอยู่ในตำแหน่งปิดก่อนที่จะเสียบปลั๊กเข้ากับแหล่งจ่ายไฟ และ/หรือ ชุดแบตเตอรี่ หรือก่อนจะยกหรือหัวเครื่องมือ การยกเครื่องมือไฟฟ้าในขณะที่นิ้วอยู่ที่สวิตช์ หรือใช้เครื่องมือไฟฟ้าที่สวิตช์เปิดอยู่ อาจทำให้เกิดอุบัติเหตุได้
- ถอดกุญแจปรับตั้งหรือประแจออกก่อนเปิดสวิตช์เครื่องมือไฟฟ้า ประแจหรือกุญแจที่เสียบค้างอยู่ในชิ้นส่วนที่หมุนไต่ของเครื่องมือไฟฟ้าอาจทำให้ได้รับบาดเจ็บได้
- ห้ามยืนเขย่งเท้าขณะใช้เครื่อง ครุเย็นในท่าที่เหมาะสมและสมดุลตลอดเวลา เพื่อช่วยในการควบคุมเครื่องมือไฟฟ้าได้ดียิ่งขึ้นในสถานการณ์ที่ไม่คาดคิด
- แต่งกายให้เหมาะสม ห้ามสวมเสื้อผ้าหลวมหรือใส่เครื่องประดับ รวนผมและเสื้อผ้าให้ห่างจากชิ้นส่วนที่กำลังหมุน เสื้อผ้าที่หลวมหรือยาวรุ่มร่าม เครื่องประดับ รวนผมที่ยาวอาจเข้าไปพันกับชิ้นส่วนที่กำลังหมุน
- หากมีอุปกรณ์สำหรับดูดและเก็บฝุ่น ตรวจสอบให้แน่ใจว่าได้เชื่อมต่อและใช้งานอุปกรณ์นั้นอย่างเหมาะสม การใช้อุปกรณ์เก็บฝุ่นจะช่วยลดอันตรายที่เกี่ยวข้องกับฝุ่นได้
- อย่าให้ความเคยชินจากการใช้งานทำให้คุณประมาทและละเลยการปฏิบัติตามหลักการเพื่อ

**ความปลอดภัย** การใช้งานโดยไม่ระวังอาจทำให้เกิดการบาดเจ็บสาหัสได้ภายในเวลาเพียงเสี้ยววินาที

**4. การใช้งานและการดูแลรักษาเครื่องมือไฟฟ้า**

- a. ห้ามฝืนใช้เครื่องมือไฟฟ้า เลือกใช้เครื่องมือไฟฟ้าที่ถูกต้องตรงกับลักษณะการใช้งานของคุณ เครื่องมือไฟฟ้าที่ถูกต้องย่อมทำงานได้ดีกว่าและปลอดภัยกว่า เมื่อใช้งานตามพิกัดที่เครื่องมือได้รับการออกแบบมา
- b. ห้ามใช้เครื่องมือไฟฟ้าถ้าสวิตช์เปิดปิดเครื่องไม่ทำงาน เครื่องมือไฟฟ้าที่ไม่สามารถควบคุมผ่านสวิตช์ได้ ถือว่ามีอันตรายและต้องส่งซ่อม
- c. ถอดปลั๊กของเครื่องมือไฟฟ้าออกจากแหล่งจ่ายไฟ และ/หรือหากถอดแบตเตอรี่ได้ ให้ถอดแบตเตอรี่ออกก่อนทำการปรับแต่ง เปลี่ยนอุปกรณ์เสริม หรือจัดเก็บเครื่องมือไฟฟ้า มาตรการเพื่อความปลอดภัยเชิงการป้องกันนี้จะช่วยลดความเสี่ยงในการเปิดเครื่องไฟฟ้าให้ทำงานโดยไม่ตั้งใจ
- d. เก็บเครื่องมือไฟฟ้าที่ไม่ได้ใช้งานไว้ในพื้นมิดชิดและไม่อนุญาตให้บุคคลที่ไม่คุ้นเคยกับเครื่องมือไฟฟ้าหรือคำแนะนำเหล่านี้เป็นผู้ใช้เครื่องมือเครื่องมือไฟฟ้าที่จะเป็นอันตรายหากอยู่ในมือผู้ใช้ที่ไม่มี ความชำนาญ
- e. บำรุงรักษาเครื่องมือไฟฟ้าและอุปกรณ์เสริมต่างๆ ตรวจพบว่ามีชิ้นส่วนที่เคลื่อนที่ได้มีการวางไม่ตรงแนวหรือติดขัดหรือไม่ มีชิ้นส่วนที่แตกหัก และสภาพอื่นใดที่อาจส่งผลกระทบต่อการทำงานของเครื่องมือไฟฟ้าหรือไม่ หากชำรุดเสียหาย ให้นำเครื่องมือไปส่งซ่อมก่อนนำมาใช้ อุบัติเหตุจำนวนมากเกิดจากการดูแลรักษาเครื่องมือไฟฟ้าไม่เพียงพอ
- f. เครื่องมือตัดต้องคมและสะอาดอยู่เสมอ เครื่องมือตัดที่ได้รับการดูแลรักษาอย่างถูกต้องและใช้ขอบตัดคม จะมีปัญหาติดขัดน้อย และควบคุมได้ง่ายกว่า
- g. ใช้เครื่องมือไฟฟ้า อุปกรณ์เสริม และดอกสว่านของเครื่องมือ เป็นต้น ให้ตรงตามข้อปฏิบัติเหล่านี้ โดยพิจารณาถึงสภาพการทำงานและงานที่ทำเป็นสำคัญ การใช้เครื่องมือไฟฟ้าทำงานอื่นนอกเหนือจากที่กำหนดไว้อาจทำให้เกิดอันตรายได้
- h. ตรวจสอบให้มือจับและพื้นผิวที่จับนั้นแห้ง สะอาด ปราศจากน้ำมันและจาระบี มือจับและผิวสัมผัสที่ลื่น อาจทำให้เกิดการใช้งานที่ไม่ปลอดภัยและทำให้ไม่สามารถควบคุมเครื่องมือในสถานการณ์คับขันได้อย่างถูกต้อง

**5. การใช้และการดูแลรักษาแบตเตอรี่**

- a. ชาร์จแบตเตอรี่ด้วยเครื่องชาร์จที่ผู้ผลิตแนะนำเท่านั้น เครื่องชาร์จที่เหมาะสมกับแบตเตอรี่แบบหนึ่งอาจทำให้เกิดไฟไหม้ได้เมื่อนำมาใช้กับแบตเตอรี่อีกแบบหนึ่ง
- b. ใช้เครื่องมือไฟฟ้าเฉพาะกับก้อนแบตเตอรี่ที่ออกแบบมาเป็นพิเศษเท่านั้น การใช้แบตเตอรี่แบบ

- อื่นอาจทำให้เกิดการบาดเจ็บหรือเกิดไฟไหม้ได้
- c. เมื่อไม่ได้ใช้ก้อนแบตเตอรี่ ให้เก็บออกจากวัตถุอื่นๆ ที่เป็นโลหะ เช่น ดลิปหนีบกระดาษ เข็ม ฤศรหรือวัตถุขนาดเล็กอื่นๆ ที่ทำจากโลหะที่อาจทำให้เกิดการเชื่อมต้อจากขั้วหนึ่งไปอีกขั้วหนึ่ง การลัดวงจรบริเวณขั้วแบตเตอรี่อาจทำให้เกิดรอยไหม้หรือไฟไหม้ได้
- d. เมื่ออยู่ภายใต้สภาวะที่ไม่เหมาะสม อาจมีของเหลวไหลออกมาจากแบตเตอรี่ ให้หลีกเลี่ยงการสัมผัสกับของเหลวนี้ หากบังเอิญสัมผัสโดยไม่ได้ตั้งใจ ให้ล้างออกด้วยน้ำปริมาณมาก หากของเหลวกระเด็นเข้าตา ควรรีบไปพบแพทย์ ของเหลวที่ออกมาจากแบตเตอรี่อาจทำให้เกิดอาการระคายเคืองหรือรอยไหม้ได้
- e. ห้ามใช้แบตเตอรี่หรือเครื่องมือที่มีการชำรุดเสียหายหรือได้รับการดัดแปลง แบตเตอรี่ที่ชำรุดเสียหายหรือได้รับการดัดแปลงอาจทำให้เกิดเหตุการณ์ที่ไม่คาดคิด เช่น ไฟไหม้ ระเบิด หรือความเสี่ยงอันก่อให้เกิดการบาดเจ็บได้
- f. อย่าให้แบตเตอรี่หรือเครื่องมือถูกไฟไหม้หรืออยู่ในที่ที่มีอุณหภูมิสูงเกินไป หากแบตเตอรี่ถูกไฟไหม้หรืออยู่ในที่ที่มีอุณหภูมิสูงเกิน 130°C อาจทำให้เกิดการระเบิดได้
- g. ปฏิบัติตามคำแนะนำการชาร์จทุกขั้นตอนและไม่ชาร์จแบตเตอรี่หรือเครื่องมือในอุณหภูมิที่เกินจากที่กำหนดไว้ในคำแนะนำ การชาร์จที่ไม่ถูกต้องหรือในอุณหภูมิที่นอกเหนือจากที่กำหนดไว้อาจทำให้แบตเตอรี่เสียหายและเสี่ยงต่อการเกิดไฟไหม้ได้

**6. การบริการ**

- a. ให้ช่างซ่อมที่มีความเชี่ยวชาญเป็นผู้ซ่อมเครื่องมือไฟฟ้า และใช้อะไหล่ของแท้เท่านั้น ซึ่งจะช่วยให้มั่นใจได้ว่าเครื่องมือไฟฟ้ายังมีความปลอดภัยอยู่
- b. ห้ามซ่อมแบตเตอรี่ที่ชำรุด ควรให้ผู้ผลิตหรือผู้ให้บริการที่ผ่านการรับรองเป็นผู้ซ่อมแบตเตอรี่เท่านั้น.

**คำแนะนำเพื่อความปลอดภัยเพิ่มเติมสำหรับเลื่อยทุกประเภท**

**ขั้นตอนการตัด**

- อันตราย! วางมือทั้งสองข้างให้อยู่ห่างจากบริเวณที่ทำการตัดและใบเลื่อย วางมือข้างที่สองของคุณไว้บนด้ามจับเสริมหรือตัวเรือนมอเตอร์ หากมือทั้งสองข้างถือเลื่อยอยู่ มือทั้งสองข้างจะไม่ถูกใบเลื่อยตัด
- ห้ามก้มตัวลงไปที่ใต้ชิ้นงาน อุปกรณ์ป้องกันไม่สามารถปกป้องคุณจากใบเลื่อยที่อยู่ใต้ชิ้นงานได้
- ปรับความลึกของการตัดตามความหนาของชิ้นงาน จะต้องมองเห็นไม่ถึงพื้นผิวทั้งหมดของพื้นของใบเลื่อยที่ใต้ชิ้นงาน
- ห้ามถือชิ้นงานที่กำลังตัดไว้ในมือของคุณหรือบริเวณขาของคุณ ยึดชิ้นงานไว้กับแท่นที่เสถียร ถือเป็นเรื่อง

สำคัญที่คุณจะต้องคำนึงถึงงานอย่างเหมาะสมเพื่อการเสริมประสิทธิภาพ การติดตั้งของใบเลื่อย หรือ การสูญเสียการควบคุม

- จับเครื่องมือไฟฟ้าตรงพื้นผิวส่วนที่จับซึ่งมีฉนวนป้องกันเท่านั้นเมื่อต้องใช้งานเครื่องในบริเวณที่อุปกรณ์เสริมสำหรับการตัด ซึ่งอาจสัมผัสถูกสายไฟที่ซ่อนอยู่ใต้ อุปกรณ์เสริมสำหรับงานตัดที่สัมผัสถูกสายไฟ "ที่มีไฟฟ้า" อาจทำให้ส่วนที่เป็นโลหะของเครื่องที่ถูกสัมผัส "มีไฟฟ้า" และทำให้ผู้ใช้เครื่องถูกไฟฟ้าช็อตได้
- เมื่อทำการยกยอ คุณจะต้องใช้รั้วช่วยหรือไม้บรรทัดอยู่เสมอ การทำเช่นนี้จะช่วยเพิ่มความแม่นยำของการตัด และลดโอกาสของการติดตั้งของใบเลื่อย
- ใช้ใบเลื่อยซึ่งมีขนาดและรูปทรงที่ถูกต้อง (ใบเลื่อยเพชร) ของรอร่าเบอร์อยู่เสมอ ใบเลื่อยที่ไม่เข้ากันกับเครื่องมือสำหรับการติดตั้งของเลื่อยจะทำงานผิดปกติ และก่อให้เกิดการสูญเสียการควบคุม
- ห้ามใช้แหวนรองใบเลื่อยหรือสลักที่ชำรุดเสียหายหรือไม่ถูกต้องโดยเด็ดขาด แหวนรองใบเลื่อยและสลักได้รับการออกแบบมาเป็นพิเศษสำหรับเลื่อยของคุณ เพื่อประสิทธิภาพและความปลอดภัยในการปฏิบัติงานที่ดีที่สุด

## คำแนะนำเพื่อความปลอดภัยเพิ่มเติมสำหรับเลื่อยทุกประเภท

### สาเหตุของการกระเด็นและคำเตือนที่เกี่ยวข้อง

- การสะท้อนกลับเป็นปฏิกิริยาแบบฉับพลันที่มีต่อใบเลื่อยที่เกิดการหนีบ ติดค้างหรือไม่ตรงแนวซึ่งจะทำให้ใบเลื่อยที่ควบคุมไม่ได้ยกตัวขึ้นและหลุดออกจากชิ้นงานไปหาผู้ปฏิบัติงาน
- เมื่อ ใบเลื่อยเกิดการหนีบหรือติดค้างจากคลองเลื่อยที่ปิดลง ใบเลื่อยจะหยุดกลางคันและปฏิกิริยาของมอเตอร์จะผลักเครื่องมือกลับไปหาผู้ปฏิบัติงานอย่างรวดเร็ว
- หากใบเลื่อยเกิดการบิดหรือไม่ตรงแนวในการตัด พื้นเลื่อยที่ขอบหลังของใบเลื่อยอาจจะเข้าไปในผิวหน้าด้านบนของไม้จนทำให้ใบเลื่อยหลุดออกมาจากคลองเลื่อย และตรงกลับไปหาผู้ปฏิบัติงานได้

การติดกลับเป็นผลมาจากการใช้งานเครื่องมืออย่างไม่ถูกวิธี และ/หรือขั้นตอนหรือสภาวะการใช้งานที่ไม่ถูกต้อง และสามารถหลีกเลี่ยงได้ด้วยวิธีการใช้มาตรการป้องกันที่เหมาะสมที่ไว้ด้านล่างนี้

- a. ใช้มือทั้งสองข้างจับเลื่อยให้แน่น และวางแขนของคุณในตำแหน่งที่ด้านหน้าแรงกระเด็น วางตำแหน่งลำตัวของคุณไว้ที่ด้านใดด้านหนึ่งของใบเลื่อย แต่ต้องไม่อยู่ในแนวเดียวกับกับใบเลื่อย การกระเด็นอาจทำให้เลื่อยดีดกลับไปด้านหลังได้ อย่างไรก็ตาม ผู้ปฏิบัติงานสามารถควบคุม

แรงกระเด็นได้หากปฏิบัติตามข้อควรระวังอย่างเหมาะสม

- b. เมื่อใบเลื่อยติดค้างหรือเมื่อการตัดหยุดชะงักลง ไม่ว่าจะด้วยเหตุใดก็ตาม คุณจะต้องปล่อยสวิตช์สั่งงาน และห้ามไม่ให้เลื่อยขยับไปมาในวัสดุจนกระทั่งใบเลื่อยหยุดสนิท ห้ามพยายามถอดเลื่อยออกจากชิ้นงานหรือดึงเลื่อยกลับในขณะที่ใบเลื่อยยังเคลื่อนไหว มิเช่นนั้นอาจเกิดการสะท้อนกลับได้ ตรวจสอบและดำเนินการแก้ไขเพื่อกำจัดสาเหตุใบเลื่อยติดค้าง
- c. เมื่อเริ่มต้นการทำงานเลื่อยในชิ้นงานอีกครั้ง คุณจะต้องวางใบเลื่อยไว้ตรงกลางของคลองเลื่อย และตรวจสอบว่าพื้นเลื่อยไม่ได้เข้าไปในวัสดุ หากใบเลื่อยเกิดการติดค้าง ใบเลื่อยอาจจะหลุดออกหรือสะท้อนกลับจากชิ้นงานได้เมื่อเริ่มต้นการทำงานของเลื่อยอีกครั้ง
- d. ใช้แผงขนาดใหญ่เพื่อลดความเสี่ยงจากการหนีบและการสะท้อนกลับของใบเลื่อย ดูเหมือนว่าแผงขนาดใหญ่จะหย่อนลงไปตามน้ำหนัก คุณจะต้องวางฐานรองไว้ที่ด้านล่างของแผงที่ทั้งสองด้านให้ใกล้กับแนวของการตัดและใกล้กับขอบของแผง
- e. ห้ามใช้ใบเลื่อยที่ทื่อหรือชำรุดเสียหาย ใบเลื่อยที่ไม่ได้ลับให้คมหรือได้รับการตั้งค่าไม่เหมาะสมจะทำให้คลองเลื่อยแคบจนทำให้เกิดแรงเสียดทานที่มากเกินไปรวมถึงการหนีบและการสะท้อนกลับของใบเลื่อย
- f. ความลึกของใบเลื่อยและคันโยกล็อคปรับความเฉียงจะต้องแม่นยำและมั่นคงก่อนที่จะทำการตัด การเปลี่ยนแปลงปรับแต่งใบเลื่อยในขณะที่ทำการตัดอาจก่อให้เกิดการติดค้างและการสะท้อนกลับได้
- g. ใช้ความระมัดระวังเป็นพิเศษเมื่อต้องเลื่อยเข้าไปในผนังที่มีอยู่แล้วหรือบริเวณจุดบอดอื่นๆ ใบเลื่อยที่ยื่นออกมาอาจจะตัดวัตถุอื่นที่อาจก่อให้เกิดการสะท้อนกลับได้

### การทำงานของอุปกรณ์ป้องกันส่วนล่าง

- a. ตรวจสอบอุปกรณ์ป้องกันส่วนล่างสำหรับการปิดที่เหมาะสมก่อนการใช้งานในแต่ละครั้ง ห้ามใช้งานเลื่อยหากอุปกรณ์ป้องกันส่วนล่างไม่เคลื่อนที่อย่างเป็นอิสระและปิดในทันที ห้ามยึดหรือผูกอุปกรณ์ป้องกันส่วนล่างเข้าไปในตำแหน่งเปิดโดยเด็ดขาด หากทำเลื่อยตกโดยไม่เจตนา อุปกรณ์ป้องกันส่วนล่างอาจจจะงอได้ ยกอุปกรณ์ป้องกันส่วนล่างขึ้นด้วยตัวจับดีดกลับ และตรวจสอบให้แน่ใจว่าอุปกรณ์ป้องกันส่วนล่างเคลื่อนไหวอย่างเป็นอิสระและไม่สัมผัสถูกใบเลื่อยหรือชิ้นส่วนอื่นในทุกมุมและทุกความลึกของการตัด

- b. ตรวจสอบการทำงานของสปริงของอุปกรณ์ป้องกันส่วนล่าง หากอุปกรณ์ป้องกันกับสปริงไม่ได้ทำงานอย่างเหมาะสม อุปกรณ์ป้องกันกับสปริงจะต้องได้รับการบำรุงรักษาก่อนที่จะใช้งาน อุปกรณ์ป้องกันส่วนล่างอาจจะทำงานช้าเนื่องจากชิ้นส่วนที่ชำรุดเสียหาย การสะสมของยาง หรือการสะสมเศษ
- c. อุปกรณ์ป้องกันส่วนล่างสามารถดึงกลับได้เองเฉพาะสำหรับการตัดพิเศษ เช่น "การจ้วงตัด" และ "การตัดประกอบ" เท่านั้น ยกอุปกรณ์ป้องกันส่วนล่างขึ้นด้วยตัวจับดึงกลับ และทันทีที่ใบเลื่อยเข้าไปในวัสดุ คุณจะต้องปล่อยอุปกรณ์ป้องกันส่วนล่าง สำหรับการเลื่อยแบบอื่นๆ นั้น อุปกรณ์ป้องกันส่วนล่างจะทำงานโดยอัตโนมัติ
- d. ฟังสังเกตอยู่เสมอว่า อุปกรณ์ป้องกันส่วนล่างจะต้องครอบคลุมใบเลื่อยก่อนที่จะวางเลื่อยลงบนมัน้ำหนึ่งหรือพื้น ใบเลื่อยที่เคลื่อนที่ด้วยแรงดึงดูดและไม่มี การป้องกันจะทำให้เลื่อยถอยกลับหลังและจะตัดอะไรก็ตามที่อยู่ในเส้นทางของเลื่อย ฟังระวังเวลาที่ใช้ในการหยุดใบเลื่อยหลังจากที่ปล่อยสวิตช์แล้ว

**ความปลอดภัยของบุคคลอื่น**

- เครื่องมือนี้ไม่ได้มีไว้เพื่อการใช้งานโดยบุคคล (ซึ่งรวมถึงผู้เยาว์) ที่มีความบกพร่องทางกายภาพ ทางการรับรู้ หรือความสามารถทางสมองบกพร่อง หรือบุคคลซึ่งขาดประสบการณ์และความรู้ เว้นเสียแต่ได้รับการควบคุมดูแลหรือคำแนะนำการใช้งานเครื่องมือจากผู้รับผิดชอบความปลอดภัยของบุคคลเหล่านั้น
- เด็กควรได้รับการควบคุมดูแลเพื่อให้แน่ใจว่าจะไม่เล่นเครื่องมือนี้

**ความเสี่ยงอื่น ๆ ที่ยังมีอยู่**

ความเสี่ยงอื่น ๆ ที่ไม่ได้ระบุในคำเตือนเพื่อความปลอดภัยนี้ อาจเกิดขึ้นได้เมื่อใช้เครื่องมือ ความเสี่ยงเหล่านี้อาจเกิดขึ้นจากการใช้งานอย่างไม่ถูกต้อง การใช้งานเป็นเวลานาน เป็นต้น

แม้ว่าจะปฏิบัติตามข้อกำหนดด้านความปลอดภัยที่เกี่ยวข้องและใช้อุปกรณ์นิรภัยแล้ว แต่ก็ไม่สามารถหลีกเลี่ยงความเสี่ยงอื่น ๆ ที่ยังมีอยู่บางอย่างได้

ความเสี่ยงเหล่านี้ได้แก่:

- การบาดเจ็บที่เกิดจากการสัมผัสชิ้นส่วนที่หมุนหรือเคลื่อนที่
- การบาดเจ็บที่เกิดขึ้นขณะเปลี่ยนแปลงชิ้นส่วน ใบมีด หรืออุปกรณ์เสริมต่าง ๆ
- การบาดเจ็บที่เกิดจากการใช้เครื่องมือเป็นเวลานาน เมื่อใช้เครื่องมือเป็นระยะเวลานาน ต้องแน่ใจว่าคุณได้หยุดพักเป็นระยะ
- ความบกพร่องในการได้ยินเสียง
- อันตรายต่อสุขภาพที่เกิดจากการสูดดมฝุ่นจากการใช้เครื่องมือ (ตัวอย่างเช่น การทำงานกับไม้ โดยเฉพาะไม้โอ๊ค ไม้บีช และไม้ MDF)

**ใบเลื่อย**

- ห้ามใช้ใบเลื่อยที่มีขนาดเส้นผ่านศูนย์กลางใหญ่กว่าหรือเล็กกว่าขนาดเส้นผ่านศูนย์กลางที่แนะนำ สำหรับการกำหนดใบเลื่อยที่เหมาะสม กรุณาดูที่ข้อมูลเชิงเทคนิค ใช้เฉพาะใบเลื่อยที่ระบุไว้ในคู่มือฉบับนี้ซึ่งเป็นไปตามมาตรฐาน EN 847-1 เท่านั้น
- ค่าเตือน! ห้ามใช้ล้อขัดเงาโดยเด็ดขาด

**สัญลักษณ์บนเครื่องมือ**

แผนภูมิรูปภาพพร้อมรหัสวันที่ดังต่อไปนี้ จะได้รับการแสดงอยู่บนเครื่องมือ:

	คำเตือน! เพื่อลดความเสี่ยงต่อการบาดเจ็บ ผู้ใช้ต้องอ่านคู่มือการใช้งานเล่มนี้ก่อนใช้เครื่อง		
	สวมแว่นตานิรภัยหรือแว่นครอบตา		
	สวมอุปกรณ์ป้องกันเสียงดัง		
	สวมหน้ากากกันฝุ่น		
V	โวลต์	===	ไฟกระแสตรง
A	แอมแปร์	n <sub>0</sub>	ความเร็วรอบ
Hz	เฮิร์ตซ์	□	โครงสร้างคลาส II
W	วัตต์	⊕	สายดิน
min	นาที	⚠	สัญลักษณ์เตือนความปลอดภัย
~	ไฟกระแสสลับ	/min.	รอบการหมุนหรือรอบการทำงานต่อนาที

**ตำแหน่งของรหัสวันที่**

รหัสวันที่ ซึ่งรวมถึงปีที่ผลิต จะพิมพ์อยู่บนตัวเครื่องตัวอย่างเช่น:

2020 XX JN  
ปีที่ผลิต

**ข้อปฏิบัติเพื่อความปลอดภัยเพิ่มเติมสำหรับแบตเตอรี่และที่ชาร์จ**

**แบตเตอรี่**

- ห้ามพยายามเปิดไม่ว่าจะด้วยเหตุผลใดก็ตาม
- ห้ามให้แบตเตอรี่โดนน้ำ
- ห้ามจัดเก็บแบตเตอรี่ไว้ในที่ซึ่งอุณหภูมิอาจสูงเกิน 40°C
- ชาร์จแบตเตอรี่ที่อุณหภูมิโดยรอบระหว่าง 10°C ถึง 40°C เท่านั้น

- ชาร์จโดยใช้เฉพาะที่ชาร์จซึ่งจัดหามาให้พร้อมเครื่องมือเท่านั้น
- ในการกำจัดแบตเตอรี่ ให้ปฏิบัติตามข้อปฏิบัติซึ่งระบุไว้ในหัวข้อ "การปกป้องสิ่งแวดล้อม"

8. อุปกรณ์ป้องกันส่วนล่าง
9. ช่องปล่อยขี้เลื่อย
10. แบตเตอรี่

## การใช้งาน



**คำเตือน!** ปล่อยให้เครื่องมือทำงานตามจังหวะของตัวเอง ห้ามโอเวอร์โหลด

## การชาร์จแบตเตอรี่ (รูป A)

คุณต้องชาร์จแบตเตอรี่ก่อนที่จะใช้งานครั้งแรกและเมื่อใดก็ตามที่แบตเตอรี่ไม่สามารถให้พลังงานที่เพียงพอแก่การทำงานต่างๆ ที่เคยทำไต่่างๆ มาก่อน แบตเตอรี่อาจอุ่นได้ในขณะที่กำลังชาร์จซึ่งถือเป็นเรื่องปกติ และไม่ได้เป็นปัญหาแต่อย่างใด



**คำเตือน!** ห้ามชาร์จแบตเตอรี่ที่อุณหภูมิโดยรอบต่ำกว่า 10°C หรือสูงกว่า 40°C อุณหภูมิสำหรับการชาร์จที่แนะนำ: ประมาณ 24°C

**หมายเหตุ:** ที่ชาร์จจะไม่ชาร์จแบตเตอรี่หากอุณหภูมิของแบตเตอรี่ต่ำกว่า ประมาณ 10°C หรือสูงกว่า 40°C

**คุณควรทิ้งแบตเตอรี่ไว้ในที่ชาร์จ และที่ชาร์จจะเริ่มชาร์จโดยอัตโนมัติเมื่ออุณหภูมิของแบตเตอรี่สูงขึ้นหรือเย็นตัวลง**

**หมายเหตุ:** เพื่อให้แน่ใจได้ถึงประสิทธิภาพและอายุการใช้งานสูงสุดของชุดแบตเตอรี่ลิเทียมไอออน คุณต้องชาร์จแบตเตอรี่ให้เต็มก่อนที่จะใช้งานครั้งแรก

- เสียบที่ชาร์จ (1) เข้าไปในตัวรับที่เหมาะสมก่อนที่จะใส่ชุดแบตเตอรี่ (10)
- ไฟชาร์จสีเขียว (11a) จะกะพริบต่อเนื่องแสดงว่ากระบวนการชาร์จได้เริ่มต้นขึ้นแล้ว
- การชาร์จเต็มแล้วจะได้รับการบ่งชี้โดยไฟชาร์จสีเขียว (11a) ที่ยังคงสว่างอย่างต่อเนื่อง ชุดแบตเตอรี่ (10) ได้รับการชาร์จเต็มแล้ว คุณสามารถถอดแบตเตอรี่ออกและใช้งานเลย หรือทิ้งแบตเตอรี่ไว้ในที่ชาร์จ (11) ต่อ
- ชาร์จแบตเตอรี่ที่หมดแล้วภายใน 1 สัปดาห์ อายุการใช้งานของแบตเตอรี่จะลดลงเป็นอย่างมากหากเก็บแบตเตอรี่ไว้ทั้งที่แบตเตอรี่หมด

## โหมดไฟ LED ของที่ชาร์จ

	<b>กำลังชาร์จ:</b> ไฟ LED สีเขียวกะพริบเป็นช่วงๆ	
	<b>ชาร์จเต็มแล้ว:</b> ไฟ LED สีเขียวหยุดนิ่ง	

## เครื่องชาร์จ

- ใช้เครื่องชาร์จ STANLEY FATMAX เพื่อชาร์จแบตเตอรี่ภายในเครื่องที่ให้มาพร้อมกันเท่านั้น การชาร์จแบตเตอรี่ชนิดอื่นๆ อาจทำให้แบตเตอรี่ระเบิดและเกิดการบาดเจ็บและความเสียหายได้
- ห้ามชาร์จ แบตเตอรี่ชนิดชาร์จซ้ำไม่ได้
- รีบเปลี่ยนสายที่ชำรุดเสียหายทันที
- อย่าให้เครื่องชาร์จสัมผัสน้ำ
- ห้ามแกะเปิดเครื่องชาร์จ
- ห้ามใช้สิ่งใดหย�เข้าไปในตัวเครื่องชาร์จ



ฐานเครื่องชาร์จนี้มีวัตถุประสงค์เพื่อการใช้งานภายในห้องนั้น



อ่านคู่มือการใช้งานก่อนที่จะใช้งานอุปกรณ์



ห้ามพยายามชาร์จแบตเตอรี่ที่ชำรุดเสียหาย

## ความปลอดภัยทางไฟฟ้า



ที่ชาร์จของคุณหุ้มฉนวนสองชั้น ดังนั้น จึงไม่จำเป็นต้องมีการเดินสายดิน ต้องตรวจกำลังไฟเพื่อให้ตรงกับแรงดันไฟฟ้าบนแผ่นแสดงพิกัดเสมอ ห้ามเปลี่ยนสายปลั๊กไฟของเครื่องชาร์จเป็นสายปลั๊กไฟธรรมดาโดยเด็ดขาด

- ถ้าสายไฟของตัวเครื่องชำรุดเสียหาย ต้องได้รับการเปลี่ยนโดยผู้ผลิตหรือศูนย์บริการของ STANLEY FATMAX ที่ได้รับอนุญาต เพื่อหลีกเลี่ยงอันตรายที่อาจเกิดขึ้นได้





**คำเตือน!** ห้ามพยายามเปลี่ยนที่ชาร์จด้วยปลั๊กไฟทั่วไป

## ส่วนประกอบสำคัญ

เครื่องมือนี้ประกอบไปด้วยส่วนประกอบทั้งหมดหรือบางส่วนดังต่อไปนี้:

1. สวิตช์เปิด/ปิดเครื่อง
2. ปุ่มล๊อค
3. ด้ามจับหลัก
4. ด้ามจับรอง
5. ปุ่มล๊อคแกนหมุน
6. ฐานรองตัด
7. ประแจหกเหลี่ยม



	<p><b>ความล่าช้าที่เกิดจากชุดแบตเตอรี่ที่ร้อน/เย็น:</b> ไฟ LED สีเขียวจะพริบเป็นช่วงๆ ไฟ LED สีแดงหยุดนิ่ง</p>	
--	--	---

**หมายเหตุ:** ที่ชาร์จที่สามารถเข้ากันได้จะไม่ชาร์จชุดแบตเตอรี่ที่ชาร์จ ที่ชาร์จจะระบุชุดแบตเตอรี่ที่ชาร์จโดยจะไม่มีไฟสว่าง

**หมายเหตุ:** สิ่งนี้หมายความว่าว่ามีปัญหาเกี่ยวกับที่ชาร์จ หากที่ชาร์จแสดงถึงปัญหา ให้คุณนำที่ชาร์จและชุดแบตเตอรี่ของคุณไปทำการทดสอบที่ศูนย์บริการที่ได้รับ การอนุญาต

### การทิ้งแบตเตอรี่ไว้ในที่ชาร์จ

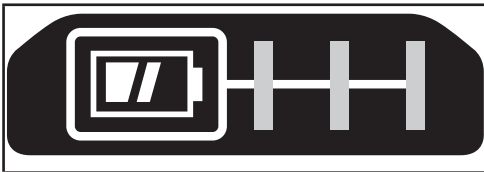
คุณสามารถทิ้งที่ชาร์จและชุดแบตเตอรี่เอาไว้ได้โดยที่ไฟ LED จะสว่างอย่างต่อเนื่อง ที่ชาร์จจะคงสภาพของชุดแบตเตอรี่ และจะชาร์จชุดแบตเตอรี่จนเต็ม

### ความล่าช้าที่เกิดจากชุดแบตเตอรี่ที่ร้อน/เย็น

เมื่อที่ชาร์จตรวจพบว่า แบตเตอรี่ร้อนเกินไปหรือเย็นเกินไป ที่ชาร์จจะเริ่มต้นความล่าช้าที่เกิดจากชุดแบตเตอรี่ที่ร้อนโดยอัตโนมัติ ไฟ LED สีเขียว (11a) จะสว่างเป็นช่วงๆ ในขณะที่ไฟ LED สีแดง (11b) จะยังคงสว่างอย่างต่อเนื่อง การชาร์จจะหยุดลงชั่วคราวจนกระทั่งแบตเตอรี่มีอุณหภูมิที่เหมาะสม จากนั้นที่ชาร์จจะเปลี่ยนไปเป็นโหมดการชาร์จชุดแบตเตอรี่โดยอัตโนมัติ คุณลักษณะนี้จะช่วยให้แน่ใจได้ถึงความอายุการใช้งานสูงสุดของแบตเตอรี่

### ไฟแสดงสถานะการชาร์จแบตเตอรี่ (รูป B)

แบตเตอรี่จะมีไฟแสดงสถานะการชาร์จเพื่อให้สามารถระบุอายุการใช้งานของแบตเตอรี่ได้อย่างรวดเร็วตามที่แสดงในรูป B เมื่อกดปุ่มสถานะการชาร์จ (10a) คุณจะ สามารถดูการชาร์จที่เหลืออยู่ของแบตเตอรี่ได้อย่างง่ายดายตามที่แสดงในรูป B



### การใส่และการถอดชุดแบตเตอรี่ออกจากเครื่องมือ



**คำเตือน!** ตรวจสอบให้แน่ใจว่ากดปุ่มล๊อคแล้ว เพื่อป้องกันการเริ่มต้นทำงานโดยไม่เจตนา ก่อนที่จะทำการถอดหรือการใส่แบตเตอรี่

### การใส่ชุดแบตเตอรี่ (รูป C)

- ใส่ชุดแบตเตอรี่เข้าไปในเครื่องมือให้สุดจนกระทั่งได้ยินเสียงดังกรึกตามที่แสดงในรูป C ตรวจสอบให้แน่ใจว่า ชุดแบตเตอรี่อยู่กับที่และอยู่ในตำแหน่งอย่างแน่นหนา

### การถอดชุดแบตเตอรี่ (รูป D)

- กดปุ่มปล่อยแบตเตอรี่ (10b) ตามที่แสดงในรูป D และดึงชุดแบตเตอรี่ออกจากเครื่องมือ

### การถอดและการใส่ใบเลื่อย (รูป E)

#### การถอด

- กดปุ่มล๊อคแกนหมุน (5) ลง และหมุนใบเลื่อยจนกระทั่งที่ล๊อคแกนหมุนเข้าที่
- คลายและถอดสกรูยึดใบเลื่อย (14) โดยการหมุนสกรูยึดใบเลื่อยตามเข็มนาฬิกาโดยใช้ประแจหกเหลี่ยม (7) ที่จัดหามาให้พร้อมกับเครื่องมือ
- ถอดแหวนรองนอก (13)
- ถอดใบเลื่อย (15)

#### เหมาะสม

- วางใบเลื่อย (15) ลงบนหน้าแปลนด้านใน (12) ตรวจสอบให้แน่ใจว่า ลูกศรบนใบเลื่อยชี้ไปในทิศทางเดียวกันกับลูกศรบนเครื่องมือ
- ใส่แหวนรองนอก (13) บนแกนหมุนโดยให้ส่วนที่ยกขึ้นชี้ห่างออกไปจากใบเลื่อย
- ใส่สกรูยึดใบเลื่อย (14) เข้าไปในรู
- กดปุ่มล๊อคแกนหมุน (5) ลง
- ขันสกรูยึดใบเลื่อยให้แน่นโดยการหมุนสกรูยึดใบเลื่อยตามเข็มนาฬิกาโดยใช้ประแจหกเหลี่ยม (7) ที่จัดหามาให้พร้อมกับเครื่องมือ

### การปรับมุมเลื่อย (รูป F)

ใช้ไม้ฉากเพื่อตรวจสอบว่า มุมระหว่างใบเลื่อย (15) กับฐานรองตัดเท่ากับ 90 องศาหรือไม่ หากมุมไม่เท่ากับ 90 องศา ให้คุณทำการปรับดังต่อไปนี้:

- คลายปุ่มล๊อค (17) เพื่อปลดล๊อคฐานรองตัด
- คลายน็อตล๊อคบนสกรูปรับแต่ง (16)
- ขันสกรูปรับแต่งเข้าหรือออกเพื่อให้ได้มุม 90 องศา
- ขันน็อตล๊อคอีกครั้ง
- ขันปุ่มล๊อคเพื่อล๊อคฐานรองตัดให้เข้าที่

### การปรับความลึกของการตัด (รูป G)

ความลึกของการตัดจะต้องได้รับการตั้งค่าตามความหนาของชิ้นงาน ความลึกของการตัดควรเกินความหนาของชิ้นงานประมาณ 2 มม.

- คลายปุ่ม (18) เพื่อปลดล๊อคฐานรองตัด
- ขยับฐานรองตัด (6) เข้าไปในตำแหน่งที่ต้องการ
- ขันปุ่มเพื่อล๊อคฐานรองตัดให้เข้าที่



## การปรับมุมเอียง (รูป H)

เครื่องมือนี้สามารถตั้งค่าให้มุมเอียงอยู่ที่ระหว่าง 0 องศา ถึง 45 องศา

- คลายปุ่มล็อค (19) เพื่อปลดล็อค ฐานรองตัด
- ขยับฐานรองตัด (6) เข้าไปในตำแหน่งที่ต้องการ การมุมเอียงที่เกี่ยวข้องสามารถอ่านได้จากเครื่องวัด (20)
- ขันปุ่มล็อคเพื่อล็อคฐานรองตัดให้เข้าที่

## การปิดและการเปิดเครื่อง

- หากต้องการเปิดเครื่องมือ ให้คุณกดปุ่มล็อค (2) ลง และมีบัสวิตช์เปิด/ปิดเครื่อง (1)
- หากต้องการปิดเครื่อง คุณจะต้องปล่อยบัสวิตช์เปิด/ปิดเครื่อง

## การเลื่อย

ถือเครื่องมือด้วยมือทั้งสองข้างอยู่เสมอ

- ปล่อยให้ใบเลื่อยเคลื่อนไหวอย่างเป็นอิสระประมาณสองสามวินาทีก่อนที่จะเริ่มต้นการตัด
  - ใช้เฉพาะแรงเบาๆ กับเครื่องมือเท่านั้นในระหว่างที่ทำการตัด
  - ทำงานโดยกดฐานรองตัดให้เข้าหาชิ้นงาน
- หมายเหตุ:** ดูแลไม่ให้ปลายของใบเลื่อยร้อนจัด

## การใช้รางนำตัด (รูป I)

เครื่องมือนี้มีการติดตั้งรางนำตัดสำหรับการตัดตรง (21) และการตัดเอียงที่ 45 องศา (22)

- จัดขอบซ้ายของราง (21) หรือ (22) ให้อยู่แนวเดียวกันกับแนวการตัด (23)
- รางนำตัดจะต้องได้รับการจัดให้อยู่ในแนวเดียวกันกับแนวการตัดในขณะที่ทำการเลื่อย
- ทำงานโดยกดฐานรองตัดให้เข้าหาชิ้นงาน

## การดูดฝุ่น

จำเป็นต้องใช้อะแดปเตอร์ในการต่อเครื่องดูดฝุ่นหรือเครื่องกำจัดฝุ่นเข้ากับเครื่องมือ

- ใส่อะแดปเตอร์สำหรับการดูดฝุ่นเข้าไปในช่องปล่อยขี้เลื่อย (9)
- ต่อท่อเครื่องดูดฝุ่นเข้ากับอะแดปเตอร์

## คำแนะนำเพื่อการทำงานที่ดีที่สุด

- ใช้ประเภทของใบเลื่อยที่เหมาะสมกับวัสดุของชิ้นงานและประเภทของการตัดทุกครั้ง
- ถือเครื่องมือด้วยมือทั้งสองข้างอยู่เสมอ
- ปล่อยให้ใบเลื่อยเคลื่อนไหวอย่างเป็นอิสระประมาณสองสามวินาทีก่อนที่จะเริ่มต้นการตัด
- ใช้เฉพาะแรงเบาๆ กับเครื่องมือเท่านั้นในระหว่างที่ทำการตัด
- ทำงานโดยกดฐานรองตัดให้เข้าหาชิ้นงาน
- เนื่องจากไม่สามารถหลีกเลี่ยงการเกิดเสียงตามแนวการตัดที่ด้านบนของชิ้นงานได้ คุณจึงควรทำการตัดบนด้านที่สามารถยอมรับการเกิดเสียงนี้ได้

- ในกรณีที่ต้องมีการลดการเกิดเสียง ตัวอย่างเช่น เมื่อตัดลามีเจน ให้คุณยึดชิ้นของไม้ยึดไว้ที่บนด้านบนของชิ้นงาน
- ใช้แผงขนาดใหญ่เพื่อลดความเสี่ยงจากการหนีบและการสะท้อนกลับของใบเลื่อย ดูเหมือนว่าแผงขนาดใหญ่จะหย่อนลงไปตามน้ำหนัก
- คุณจะต้องวางฐานรองไว้ที่ด้านล่างของแผงที่ทั้งสองด้านให้ใกล้กับแนวของการตัดและใกล้กับขอบของแผงที่จะตัด
- ห้ามถือชิ้นงานที่กำลังตัดไว้ในมือของคุณหรือบริเวณขาของคุณ
- ยึดชิ้นงานกับแท่นที่มั่นคงโดยใช้ที่หนีบ ถือเป็นเรื่องสำคัญที่คุณจะต้องค้ำยันชิ้นงานอย่างเหมาะสมเพื่อลดการสัมผัสสฎกร่างกาย การติดค้างของใบเลื่อย หรือการสูญเสียการควบคุม

## อุปกรณ์เสริม

ประสิทธิภาพของอุปกรณ์ของคุณจะขึ้นอยู่กับอุปกรณ์เสริมที่คุณใช้ อุปกรณ์เสริมของ STANLEY FATMAX ได้รับการพัฒนามาตามมาตรฐานคุณภาพระดับสูง รวมถึงได้รับการออกแบบมาเพื่อเสริมสร้างประสิทธิภาพของเครื่องมือของคุณ เมื่อใช้อุปกรณ์เสริมดังกล่าว คุณจะได้รับประสิทธิภาพที่ดีที่สุดจากเครื่องมือของคุณ

## การบำรุงรักษา

อุปกรณ์ไร้สาย Stanley FatMax ของคุณได้รับการออกแบบมาสำหรับการใช้งานเป็นเวลานานโดยมีการบำรุงรักษาขั้นต้น การใช้งานที่นำพึงพอใจอย่างต่อเนื่องจะขึ้นอยู่กับ การดูแลและการทำความสะอาดเครื่องมืออยู่เป็นประจำ

ที่ชาร์จของคุณไม่จำเป็นต้องได้รับการบำรุงรักษาไดนอกไปจากการทำความสะอาดเป็นประจำ



**คำเตือน!** ก่อนที่จะทำการบำรุงรักษาเครื่องมือ คุณต้องถอดแบตเตอรี่ออกจากเครื่องมือก่อน ถอดปลั๊กที่ชาร์จก่อนที่จะทำความสะอาดที่ชาร์จ

- ทำความสะอาดช่องระบายในอุปกรณ์/ที่ชาร์จของคุณอย่างสม่ำเสมอโดยใช้แปรงขนนุ่มหรือผ้าแห้ง
- ทำความสะอาดตัวเรือนมอเตอร์อย่างสม่ำเสมอโดยใช้ผ้าหมาด
- ห้ามใช้สารทำความสะอาดที่เป็นสารทำลายหรือออกฤทธิ์กัดกร่อน

## การคุ้มครองสิ่งแวดล้อม



ทั้งแยกต่างหาก ห้ามนำมาลิดกับขยะและแบตเตอรี่ที่มีสัญลักษณ์นี้ไปทิ้งรวมกับขยะเสียในบ้านตามปกติ

ผลิตภัณฑ์และแบตเตอรี่มีวัสดุที่สามารถนำมาใช้ใหม่ได้ หรือนำมารีไซเคิลได้เพื่อเป็นการลดความต้องการด้าน วัสดุดิบ โปรตรีไซเคิลผลิตภัณฑ์ไฟฟ้าและแบตเตอรี่ ตามข้อบังคับในท้องถิ่น โปรดดูข้อมูลเพิ่มเติมที่ [www.2helpU.com](http://www.2helpU.com)

### ข้อมูลด้านเทคนิค

		SCC500
แรงดันไฟฟ้า	V <sub>DC</sub>	18V (20V MAX)
ความเร็วรอบสูงสุด	Min <sup>-1</sup>	4000
ความลึกสูงสุดของการตัด	mm	54
ความลึกสูงสุดของการตัดที่มุมเอียง 45 องศา	mm	45
เส้นผ่านศูนย์กลางของใบเลื่อย	mm	165
รูของใบเลื่อย	mm	20
ความกว้างของปลายใบเลื่อย	mm	2.0
น้ำหนัก	kg	3.4

สายชาร์จ		SC125	SC200	SC400 SC401
แรงดันไฟฟ้า ขาเข้า	V <sub>AC</sub>	220-240	220-240	220-240
แรงดันไฟฟ้า ขาออก	V <sub>DC</sub>	18V (20V MAX)	18V (20V MAX)	18V (20V MAX)
กระแสไฟฟ้า	A	1.25	2	4

แบตเตอรี่		SB201	SB202	SB204	SB206
แรงดัน ไฟฟ้า	V <sub>DC</sub>	18V (20V MAX)	18V (20V MAX)	18V (20V MAX)	18V (20V MAX)
ความจุ	Ah	1.5	2.0	4.0	6.0
ประเภท		Li-Ion	Li-Ion	Li-Ion	Li-Ion

### ข้อมูลเกี่ยวกับบริการ

STANLEY FATMAX มีเครือข่ายศูนย์บริการซึ่งเป็นของบริษัทและที่ได้รับการอนุญาตจากบริษัท ศูนย์บริการทุกแห่งของ STANLEY FATMAX มีบุคลากรซึ่งได้รับการฝึกอบรมมาเป็นอย่างดีสำหรับลูกค้าในเรื่องของการให้บริการเครื่องมือไฟฟ้าที่มีประสิทธิภาพและไว้วางใจได้ สำหรับข้อมูลเพิ่มเติมเกี่ยวกับศูนย์บริการที่ได้รับการอนุญาตของเรา และหากต้องการคำแนะนำเชิงเทคนิค การซ่อมแซม หรืออะไหล่ของแท้จากโรงงาน กรุณาติดต่อศูนย์บริการ the STANLEY FATMAX ที่ใกล้คุณที่สุดหรือไปที่

[www.stanleytools.com](http://www.stanleytools.com)

## Mục đích sử dụng

Máy cưa đĩa STANLEY FATMAX SCC500 của bạn đã được thiết kế để cưa gỗ và các sản phẩm từ gỗ. Công cụ này dành cho người dùng chuyên nghiệp, không chuyên nghiệp và cá nhân.

## Hướng dẫn an toàn

### Cảnh báo chung về an toàn cho máy điện cầm tay



**CẢNH BÁO!** Vui lòng đọc kỹ mọi cảnh báo an toàn, hướng dẫn, hình minh họa và thông số kỹ thuật kèm theo dụng cụ điện cầm tay này. Việc không tuân thủ tất cả các hướng dẫn liệt kê bên dưới có thể dẫn đến điện giật, cháy và/hoặc chấn thương nghiêm trọng.

### Lưu giữ mọi cảnh báo và hướng dẫn để tham khảo sau này

Thuật ngữ “máy điện cầm tay” trong phần cảnh báo chỉ thiết bị chạy bằng điện nguồn (có dây điện) hoặc thiết bị chạy bằng pin (không có dây điện).

#### 1. An toàn tại nơi làm việc

- Khu vực làm việc phải sạch sẽ và đủ ánh sáng.** Những khu vực bừa bộn hoặc thiếu ánh sáng dễ gây tai nạn.
- Không vận hành máy điện cầm tay trong các môi trường dễ cháy nổ, như các môi trường có chất lỏng, khí hoặc bụi dễ cháy.** Máy điện cầm tay tạo ra các tia lửa điện có thể gây cháy bụi hoặc bốc khói.
- Không cho trẻ em và những người quan sát lại gần khi đang vận hành máy điện cầm tay.** Những lúc xao lãng có thể khiến bạn mất kiểm soát.

#### 2. An toàn điện

- Phích cắm của máy điện cầm tay phải vừa với ổ cắm. Không được sửa đổi phích cắm dưới bất kỳ hình thức nào. Không sử dụng các loại phích cắm nối cho máy điện cầm tay có nối đất.** Phích cắm nguyên trạng và ổ cắm phù hợp sẽ giúp giảm nguy cơ bị điện giật.
- Tránh tiếp xúc với các bề mặt được nối đất như đường ống, lò sưởi, bếp nướng và tủ lạnh.** Nguy cơ bị điện giật sẽ cao hơn nếu cơ thể bạn nối đất.
- Không để các máy điện cầm tay ngoài trời mưa hoặc ở nơi ẩm ướt.** Nước vào trong máy điện cầm tay sẽ làm tăng nguy cơ bị điện giật.
- Không dùng dây điện cho các mục đích khác.** Tuyệt đối không sử dụng dây điện để mang, kéo hoặc rút phích cắm máy điện cầm tay. Để dây điện cách xa nguồn nhiệt, dầu mỡ, các cạnh sắc hoặc các bộ phận chuyển động. Dây điện bị hỏng hoặc bị vướng sẽ làm tăng nguy cơ bị điện giật.
- Khi vận hành máy điện cầm tay ngoài trời, hãy sử dụng dây nối dài phù hợp để sử dụng ngoài trời.**

Sử dụng dây điện phù hợp để sử dụng ngoài trời sẽ giúp giảm nguy cơ bị điện giật.

- Nếu bắt buộc phải vận hành máy điện cầm tay ở nơi ẩm ướt, hãy sử dụng nguồn điện được bảo vệ bởi thiết bị ngắt mạch tự động (RCD).** Sử dụng RCD giúp giảm nguy cơ bị điện giật.

#### 3. An toàn cá nhân

- Hãy tập trung, chú ý vào những gì bạn đang làm và tỉnh táo khi vận hành máy điện cầm tay. Không sử dụng máy điện cầm tay khi bạn đang mệt hoặc chịu ảnh hưởng của rượu bia, ma túy hoặc chất kích thích.** Chỉ một khoảnh khắc mất tập trung trong khi vận hành máy điện cầm tay cũng có thể dẫn đến chấn thương cá nhân nghiêm trọng.
- Sử dụng thiết bị bảo hộ cá nhân. Luôn đeo kính bảo hộ.** Thiết bị bảo hộ như mặt nạ chống bụi, giày chống trượt, mũ cứng hoặc thiết bị bảo vệ tai, được sử dụng ở những điều kiện phù hợp, sẽ giúp giảm các chấn thương cá nhân.
- Tránh vô tình bật máy. Đảm bảo rằng công tắc ở vị trí tắt trước khi nối với nguồn điện và/hoặc pin, khi cầm hoặc mang máy.** Việc cầm máy điện cầm tay khi công tắc đang bật có thể gây tai nạn.
- Hãy tháo hết khóa điều chỉnh hoặc cờ lê trước khi bật máy điện cầm tay.** Cờ lê hoặc khóa vẫn để ở bộ phận quay của máy điện cầm tay có thể dẫn đến chấn thương cá nhân.
- Không được vớ tay. Hãy đứng ở tư thế thích hợp và luôn giữ thăng bằng.** Điều đó giúp kiểm soát máy điện cầm tay tốt hơn trong các tình huống bất ngờ.
- Mặc quần áo phù hợp. Không mặc quần áo rộng hoặc đeo đồ trang sức. Giữ cho tóc và quần áo tránh xa các bộ phận di động.** Quần áo rộng, đồ trang sức hoặc tóc dài có thể bị mắc vào các bộ phận di động.
- Nếu cần thiết bị được cung cấp để nối các phương tiện hút và gom bụi, hãy đảm bảo những thiết bị này được nối và sử dụng đúng cách.** Sử dụng thiết bị gom bụi có thể giảm các nguy cơ liên quan đến bụi.
- Không nên tự mãn vì đã dùng thành thạo máy mà bỏ qua các nguyên tắc an toàn của máy.** Một hành động bất cẩn cũng có thể gây ra thương tích nghiêm trọng trong tích tắc.

#### 4. Sử dụng và bảo quản máy điện cầm tay

- Sử dụng máy điện cầm tay phù hợp.** Sử dụng máy điện cầm tay phù hợp với mục đích của bạn. Máy phù hợp sẽ giúp bạn làm việc hiệu quả và an toàn hơn theo đúng tốc độ được thiết kế.

- b. Không sử dụng máy điện cầm tay nếu công tắc không bật và tắt được. Những máy điện cầm tay không điều khiển được bằng công tắc đều rất nguy hiểm và cần phải được sửa chữa.
- c. Rút phích cắm khỏi nguồn điện và/hoặc tháo pin ra nếu có thể tháo rời khỏi máy điện cầm tay, trước khi thực hiện các điều chỉnh, thay đổi phụ kiện hoặc cất giữ máy điện cầm tay. Các biện pháp an toàn phòng ngừa đó giúp giảm nguy cơ khởi động máy điện cầm tay một cách tình cờ.
- d. Bảo quản các máy điện cầm tay không sử dụng xa tầm tay trẻ em và không cho phép những người không quen với máy điện cầm tay hoặc những hướng dẫn này vận hành máy điện cầm tay. Máy điện cầm tay sẽ rất nguy hiểm khi được sử dụng bởi những người chưa được huấn luyện.
- e. Bảo trì các phụ kiện và máy điện cầm tay. Kiểm tra các bộ phận chuyển động xem có bị lắp lệch hoặc kẹt không, các bộ phận có bị vỡ không và bất kỳ tình trạng nào khác có thể ảnh hưởng đến việc vận hành máy điện cầm tay. Nếu máy điện cầm tay bị hỏng, hãy sửa chữa trước khi sử dụng. Rất nhiều tai nạn xảy ra do công tác bảo trì các máy điện cầm tay kém.
- f. Đảm bảo các thiết bị cất luôn sắc và sạch sẽ. Các dụng cụ cất được bảo trì đúng cách với các cạnh cắt sắc sẽ ít bị kẹt hơn và dễ điều khiển hơn.
- g. Sử dụng máy điện cầm tay, các phụ kiện và mũi khoan, v.v.. theo hướng dẫn này, chú ý đến các điều kiện làm việc và công việc cần thực hiện. Sử dụng máy điện cầm tay sai mục đích có thể gây nguy hiểm.
- h. Giữ các tay cầm và bề mặt cầm nắm luôn khô ráo, sạch sẽ và không dính dầu mỡ. Các tay cầm và bề mặt cầm nắm trơn trượt không cho phép xử lý và kiểm soát máy an toàn trong những tình huống bất ngờ.
- 5. Sử dụng và bảo quản máy chạy bằng pin**
- a. Chỉ sạc lại pin bằng bộ sạc do nhà sản xuất quy định. Bộ sạc chỉ thích hợp cho một loại pin. Nếu sử dụng với loại pin khác, có thể tạo nguy cơ hỏa hoạn.
- b. Chỉ sử dụng máy điện cầm tay với các loại pin được chỉ định cụ thể. Sử dụng loại pin khác có thể tạo nguy cơ bị chấn thương và hỏa hoạn.
- c. Khi không sử dụng pin, để pin tránh xa các vật dụng kim loại như kẹp giấy, tiền đồng, chìa khóa, đinh, vít, hay các vật dụng kim loại nhỏ khác có thể tạo kết nối từ cực này sang cực khác. Khi các cực của pin tiếp xúc với nhau có thể gây bỏng hoặc hỏa hoạn.
- d. Nếu lạm dụng pin, dung dịch có thể chảy ra từ pin; tránh tiếp xúc. Nếu vô tình tiếp xúc, hãy rửa bằng nước. Nếu chất lỏng dính vào mắt, hãy điều trị y tế ngay. Chất lỏng chảy ra từ pin có thể gây kích ứng hoặc bỏng da.
- e. Không sử dụng pin hoặc máy khi bị hỏng hoặc đã bị chỉnh sửa. Pin hỏng hoặc đã bị chỉnh sửa có thể gây ra những phản ứng khó lường, dẫn đến cháy nổ hoặc có nguy cơ gây chấn thương.
- f. Không để pin hoặc máy gần khu vực có lửa hoặc nhiệt độ quá cao. Tiếp xúc với lửa hoặc nhiệt độ trên 130 °C có thể gây nổ.
- g. Tuân theo mọi hướng dẫn về sạc pin và không được sạc máy quá phạm vi nhiệt độ được ghi trong hướng dẫn. Sạc pin không đúng cách hoặc ở các mức nhiệt độ nằm ngoài phạm vi chỉ định có thể làm hỏng pin và tăng nguy cơ hỏa hoạn.
- 6. Bảo dưỡng**
- a. Hãy để nhân viên bảo dưỡng có chuyên môn tiến hành bảo dưỡng máy điện cầm tay cho bạn và chỉ sử dụng các bộ phận thay thế chính hãng. Điều này giúp đảm bảo độ an toàn của máy điện cầm tay đó.
- b. Tuyệt đối không bảo dưỡng pin đã hỏng. Việc bảo dưỡng pin phải được thực hiện bởi nhà sản xuất hoặc nhà cung cấp dịch vụ bảo dưỡng được ủy quyền
- Các hướng dẫn an toàn bổ sung cho tất cả các cưa**
- Quy trình cắt**
- NGUY HIỂM! Để tay tránh xa khu vực cắt và lưỡi cưa. Để tay kia của bạn trên tay cầm phụ hoặc vỏ động cơ. Nếu cả hai tay đang cầm cưa, chúng không thể bị lưỡi cưa cắt phải.
  - Không chạm vào bên dưới chi tiết gia công. Bộ bảo vệ không thể bảo vệ bạn khỏi lưỡi cưa bên dưới chi tiết gia công.
  - Điều chỉnh độ sâu cắt theo chiều dày của chi tiết gia công. Ít hơn một răng đầy đủ của các răng lưỡi cưa sẽ được nhìn thấy bên dưới chi tiết gia công.
  - Không bao giờ cầm mảnh đang được cắt trên tay hoặc ngang chân. Cố định chi tiết gia công đến một mặt nền ổn định. Điều quan trọng là phải đỡ chi tiết gia công đúng cách để giảm thiểu sự tiếp xúc với cơ thể, mắc vào lưỡi cưa hoặc mất kiểm soát.
  - Giữ công cụ điện bằng các bề mặt kẹp cách điện, khi thực hiện thao tác trong đó dây buộc có thể tiếp xúc với dây dẫn. Chốt tiếp xúc với dây "trần" có thể làm cho các bộ phận kim loại tiếp xúc của công cụ điện "trần" và có thể khiến người vận hành bị điện giật.
  - Khi cưa dọc, luôn sử dụng rào chắn cưa dọc hoặc thanh dẫn hướng cạnh thẳng. Điều này giúp cải thiện độ chính xác của vết cắt và giảm khả năng bị vướng vào lưỡi cưa.

- Luôn luôn sử dụng các lưỡi cưa có kích thước và hình dạng chính xác (hình thoi so với hình tròn) của các lỗ hình cây. Các lưỡi cưa mà không khớp với phần cứng để gắn của máy cưa sẽ bị chạy lệch tâm, gây mất kiểm soát.
- Không bao giờ sử dụng vòng đệm lưỡi cưa hoặc bu lông bị hư hỏng hoặc không chính xác. Vòng đệm lưỡi cưa và bu lông được thiết kế riêng biệt cho máy cưa của bạn, với mục đích mang lại hiệu suất tối ưu và an toàn khi vận hành.

### Các hướng dẫn an toàn khác cho tất cả các cưa

#### Các nguyên nhân khởi động lại và cảnh báo liên quan

- Hiện tượng giật ngược lại là một phản ứng đột ngột đối với một lưỡi cưa bị kẹt, bị vướng hoặc bị lệch, khiến cho cưa không điều khiển được nâng lên và bật khỏi chi tiết gia công về phía người vận hành;
- Khi lưỡi dao bị kẹt hoặc bị vướng bởi rãnh cưa đóng xuống, lưỡi cưa sẽ dừng lại và phần lực động cơ sẽ đẩy thiết bị quay nhanh về phía người vận hành;
- Nếu lưỡi cưa bị xoắn hoặc bị lệch trong vết cắt, các răng cưa ở mép sau của lưỡi cưa có thể găm sâu vào bề mặt trên cùng của gỗ khiến lưỡi cưa bung ra khỏi rãnh cưa và văng ngược về phía người vận hành.

Lực giật lại là hậu quả của việc dùng dụng cụ không đúng cách và/hoặc quy trình vận hành không chính xác hoặc các điều kiện khác và có thể phòng tránh được bằng cách thực hiện các biện pháp phòng ngừa sau:

- Giữ chặt tay cầm bằng cả hai tay trên cưa và dùng cánh tay của bạn để chống lại lực giật ngược.** Cơ thể của bạn cần đối sang hai bên của lưỡi dao, nhưng không thẳng hàng với lưỡi dao. Lực giật ngược có thể khiến cưa này ngược lại, nhưng người điều khiển hoàn toàn có thể kiểm soát lực giật ngược nếu thực hiện các biện pháp phòng ngừa phù hợp.
- Khi lưỡi cưa đang được cố định hoặc khi làm gián đoạn một vết cắt vì bất kỳ lý do gì, hãy nhả nút khởi động và giữ cưa không di chuyển trong vật liệu cho đến khi lưỡi cưa dừng hoàn toàn.** Không được cố gắng tháo cưa ra khỏi chi tiết gia công hoặc kéo cưa về phía sau khi lưỡi đang chuyển động hoặc có thể xảy ra hiện tượng giật ngược lại. Kiểm tra và thực hiện hành động khắc phục để loại bỏ nguyên nhân gây vướng lưỡi cưa.
- Khi khởi động lại máy cưa trong chi tiết gia công, hãy cân giữa lưỡi cưa trong rãnh cưa và kiểm tra xem răng cưa có bị mắc vào vật liệu không.** Nếu lưỡi cưa bị vướng, nó có thể đi lên hoặc giật ngược lại khỏi

chi tiết gia công khi cưa được khởi động lại.

- Đỡ các tấm lớn để giảm thiểu nguy cơ bị kẹp lưỡi và giật ngược.** Các tấm lớn có xu hướng chùng xuống do trọng lượng của chúng. Các giá đỡ phải được đặt dưới tấm ở cả hai mặt, gần đường cắt và gần mép tấm.
- Không sử dụng lưỡi dao bị hỏng hoặc xỉn màu.** Lưỡi cưa chưa được làm sạch hoặc đặt không đúng cách tạo ra rãnh cưa hẹp gây ra ma sát quá mức, vướng lưỡi và giật ngược.
- Các cần khóa điều chỉnh độ sâu và vít phải chặt và chắc chắn trước khi cắt.** Nếu điều chỉnh lưỡi dao thay đổi trong khi cắt, nó có thể gây ra tình trạng vướng và giật ngược.
- Cẩn thận hơn khi cưa vào các cạnh hiện có hoặc các khu vực mù khác.** Lưỡi cưa nhô ra có thể cắt phải các vật thể gây ra hiện tượng giật ngược.

#### Chức năng bảo vệ thấp hơn

- Kiểm tra bộ bảo vệ dưới xem đã đóng đúng chưa trước mỗi lần sử dụng.** Không vận hành cưa nếu bộ bảo vệ dưới không di chuyển tự do và đóng lại ngay lập tức. Không bao giờ kẹp hoặc buộc bộ bảo vệ dưới vào vị trí mở. Nếu cưa vô tình bị rơi, bộ bảo vệ dưới có thể bị cong. Nâng bộ bảo vệ bên dưới bằng tay cầm rút và đảm bảo nó di chuyển tự do và không chạm vào lưỡi cưa hoặc bất kỳ bộ phận nào khác, ở mọi góc độ và độ sâu của vết cắt.
- Kiểm tra hoạt động của lò xo bảo vệ dưới.** Nếu bộ bảo vệ và lò xo hoạt động không bình thường, chúng phải được bảo dưỡng trước khi sử dụng. Bộ bảo vệ dưới có thể hoạt động chậm chạp do các bộ phận bị hư hỏng, cần keo hoặc tích tụ các mảnh vụn.
- Bộ bảo vệ dưới chỉ có thể được thu lại bằng tay đối với các vết cắt đặc biệt như "vết cắt chìm" và "vết cắt hỗn hợp".** Nâng bộ bảo vệ dưới bằng cách thu vào tay cầm và ngay khi lưỡi cưa đi vào vật liệu, bộ bảo vệ dưới phải được nhả ra. Đối với tất cả các cưa khác, bộ bảo vệ dưới phải hoạt động tự động.
- Luôn luôn quan sát xem bộ bảo vệ phía dưới đã che lưỡi cưa trước khi đặt cưa xuống bằng ghế hoặc sàn chưa.** Một lưỡi cưa không được bảo vệ sẽ làm cho cưa đi lùi lại, và cắt bất cứ thứ gì trên đường đi của nó. Lưu ý thời gian lưỡi cưa dừng lại sau khi nhả công tắc.

#### An toàn của người khác

- Công cụ này không dành cho những người (kể cả trẻ em) bị suy giảm khả năng thể chất, cảm giác hoặc tinh thần, hoặc thiếu kinh nghiệm và kiến thức, trừ khi họ được người chịu trách nhiệm bảo vệ an toàn.
- Trẻ em cần được giám sát để đảm bảo rằng chúng không chơi cùng với công cụ này.

**Các nguy cơ khác**

Các nguy cơ khác có thể phát sinh khi sử dụng công cụ này có thể không được đưa vào trong cảnh báo an toàn kèm theo. Các nguy cơ này có thể phát sinh do sử dụng sai mục đích, sử dụng trong khoảng thời gian dài, v.v. Kể cả việc áp dụng các quy tắc an toàn liên quan và sử dụng các thiết bị an toàn cũng không thể tránh được một số nguy cơ khác. Những nguy cơ này bao gồm:

- Chấn thương do đụng vào các bộ phận quay/chuyển động.
- Chấn thương gây ra khi thay đổi các bộ phận, lưỡi dao hoặc phụ kiện.
- Chấn thương do sử dụng kéo dài một công cụ. Khi sử dụng bất kỳ công cụ nào trong thời gian dài, phải đảm bảo thời gian nghỉ thường xuyên.
- Suy giảm thính lực.
- Các mối nguy hiểm tới sức khỏe do hít phải bụi khi sử dụng công cụ của bạn (ví dụ: - làm việc với gỗ, đặc biệt là gỗ sồi, gỗ dẻ và gỗ công nghiệp.)

**Lưỡi cưa**

- Không sử dụng các lưỡi cưa có đường kính lớn hơn hoặc nhỏ hơn so với khuyến nghị. **Đề biết công suất lưỡi cưa thích hợp, hãy tham khảo dữ liệu kỹ thuật. Chỉ sử dụng các lưỡi cưa được chỉ định trong sách hướng dẫn này, tuân thủ EN 847-1.**
- **Cảnh Báo! Không bao giờ sử dụng bánh xe mài mòn.**

**Nhãn trên công cụ**

Các biểu tượng sau cùng với mã ngày được hiển thị trên công cụ:

	CẢNH BÁO! Để giảm nguy cơ chấn thương, người dùng phải đọc hướng dẫn trước khi sử dụng.		
	Đeo kính bảo hộ.		
	Đeo thiết bị bảo vệ tai.		
	Đeo mặt nạ chống bụi.		
V	Vôn		Dòng một chiều
A	Ampe	$n_0$	Tốc độ định mức
Hz	Hertz		Thiết kế cách điện kép
W	Watt		Dây nối đất
min	phút		Biểu tượng cảnh báo an toàn

	Dòng xoay chiều	/min.	Số vòng quay hoặc Số lần qua lại trong một phút
---	-----------------	-------	---

**Vị trí mã ngày**

Mã ngày, bao gồm cả năm sản xuất, được in trên vỏ máy. Ví dụ:

2020 XX JN  
Năm sản xuất

**Hướng dẫn an toàn bổ sung cho pin và bộ sạc**

**Pin**

- Không bao giờ thử tháo ra vì bất kỳ lý do.
- Không để pin tiếp xúc với nước.
- Không lưu trữ ở những nơi có nhiệt độ có thể vượt quá 40 °C.
- Chỉ sạc ở nhiệt độ môi trường từ 10 °C đến 40 °C.
- Chỉ sạc bằng bộ sạc đi kèm với công cụ.
- Khi vứt bỏ pin, hãy làm theo các hướng dẫn được đưa ra trong phần "Bảo vệ môi trường".

**Bộ sạc**

- Chỉ sử dụng bộ sạc STANLEY FATMAX để sạc pin đi kèm với thiết bị/dụng cụ. Các pin khác có thể cháy nổ, gây thương tích cá nhân và hư hỏng.
- Tuyệt đối không cố sạc pin dùng một lần.
- Dây bị lỗi được thay thế ngay lập tức.
- Không để bộ sạc tiếp xúc với nước.
- Không mở bộ sạc ra.
- Không chọc que vào bộ sạc.



Để sạc chỉ được thiết kế để sử dụng trong nhà.



Đọc hướng dẫn sử dụng trước khi sử dụng.



Không cố sạc pin đã bị hỏng.

**An toàn điện**



Bộ sạc của bạn được bọc cách điện kép; do đó không cần phải nối đất. Luôn kiểm tra xem điện áp nguồn có tương ứng với điện áp trên nhãn thông số định mức của bộ sạc. Tuyệt đối không tìm cách thay bộ sạc bằng phích cắm điện thông thường.

- Nếu dây điện bị hư hỏng ,phải thay thế ngay phụ tùng chính hãng tại Trung Tâm Bảo Hành Ủy Quyền Stanley FatMax để tránh tai nạn nguy hiểm.







**Cảnh Báo!** Đừng cố gắng thay thế bộ sạc bằng phích cắm nguồn thông thường.

**Tính năng**

Dụng cụ này có một số hoặc tất cả những tính năng sau đây.

1. Công tắc bật/tắt
2. Nút tắt khóa
3. Tay cầm chính
4. Tay cầm phụ
5. Nút khóa trục quay
6. Tấm chân đế
7. Chia lục giác
8. Bộ bảo vệ dưới
9. Cửa xả bụi cưa
10. Pin

	<b>Đã sạc đầy:</b> Đèn LED xanh lá thuần nhất	
	<b>Độ trễ Bộ nguồn Nóng/Lạnh:</b> Đèn LED xanh lá ngắt quãng Đèn LED màu đỏ thuần nhất	

**Lưu ý:** (Các) bộ sạc tương thích sẽ không sạc được bộ pin bị lỗi. Bộ sạc sẽ chỉ ra một bộ pin bị lỗi bằng cách không sáng.

**Lưu ý:** Điều này cũng có thể là sự cố với bộ sạc. Nếu bộ sạc có vấn đề, hãy mang bộ sạc và pin đi kiểm tra tại trung tâm dịch vụ được ủy quyền.

**Sử dụng**



**Cảnh Báo!** Hãy để công cụ hoạt động theo tốc độ của riêng nó. Đừng quá tải.

**Sạc pin (Hình A)**

Pin cần được sạc trước khi sử dụng lần đầu tiên và bất cứ khi nào nó không tạo ra đủ năng lượng cho các công việc được thực hiện dễ dàng như trước đây. Pin có thể nóng lên khi đang sạc; điều này là bình thường và không phải là một vấn đề.



**Cảnh Báo!** Không sạc pin ở nhiệt độ môi trường xung quanh dưới 10 °C hoặc trên 40 °C. Nhiệt độ sạc đề xuất: xấp xỉ 24 °C.



**Lưu ý:** Bộ sạc sẽ không sạc pin nếu nhiệt độ của pin dưới khoảng 10 °C hoặc trên 40 °C.

**Nên pin được để trong bộ sạc và bộ sạc sẽ bắt đầu sạc tự động khi nhiệt độ pin ấm lên hoặc nguội đi.**

**Lưu ý:** Để đảm bảo hiệu suất và tuổi thọ tối đa của bộ pin lithium-ion, hãy sạc đầy bộ pin trước khi sử dụng lần đầu.

- Cắm bộ sạc (11) vào ổ cắm thích hợp trước khi lắp bộ pin (10).
- Đèn sạc màu xanh lá (11a) sẽ nhấp nháy liên tục cho biết quá trình sạc đã bắt đầu.
- Việc hoàn tất quá trình sạc sẽ được chỉ báo bằng đèn sạc màu xanh lá (11a) vẫn BẬT liên tục. Bộ pin (10) đã được sạc đầy và có thể được tháo ra và sử dụng tại thời điểm này hoặc để lại trong bộ sạc (11).
- Sạc pin đã xả trong vòng 1 tuần. Tuổi thọ của pin sẽ giảm đi rất nhiều nếu để ở trạng thái xả.

**Chế độ đèn LED sạc**

	<b>Đang sạc:</b> Đèn LED xanh lá ngắt quãng	
--	--	---

**Đề pin trong bộ sạc**

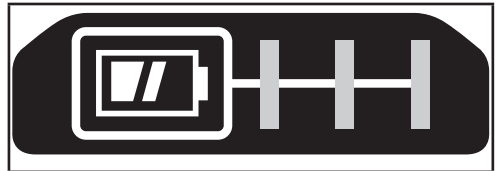
Bộ sạc và bộ pin có thể được kết nối với đèn LED phát sáng vô thời hạn. Bộ sạc sẽ giữ cho bộ pin luôn mới và được sạc đầy.

**Độ trễ Bộ nguồn Nóng/Lạnh**

Khi bộ sạc phát hiện thấy pin quá nóng hoặc quá lạnh, nó sẽ tự động khởi động Độ trễ Bộ nguồn Nóng/Lạnh, đèn LED màu xanh lá (11a) sẽ nhấp nháy liên tục, trong khi đèn LED màu đỏ (11b) sẽ vẫn sáng liên tục, tạm ngừng sạc cho đến khi pin đã đạt đến nhiệt độ thích hợp. Sau đó, bộ sạc sẽ tự động chuyển sang chế độ sạc bộ nguồn. Tính năng này đảm bảo tuổi thọ pin tối đa.

**Trạng thái pin của đèn chỉ báo sạc (Hình B)**

Pin bao gồm đèn chỉ báo trạng thái sạc để nhanh chóng xác định mức độ tuổi thọ của pin như trong hình B. Bằng cách nhấn nút trạng thái sạc (10a), bạn có thể dễ dàng xem lượng điện còn lại trong pin như minh họa trong hình B.



**Lắp đặt và tháo bộ pin ra khỏi công cụ**



**Cảnh Báo!** Đảm bảo rằng nút khóa tắt đã được đặt để ngăn việc kích hoạt công tắc trước khi tháo hoặc lắp pin.

**Lắp bộ pin (hình C)**

- Gắn chặt bộ pin vào công cụ cho đến khi nghe thấy tiếng tích như thể hiện trong hình C. Đảm bảo rằng bộ pin được đặt khớp hoàn toàn và được chốt hoàn toàn vào vị trí.



### Tháo bộ pin (Hình D)

- Nhấn nút tháo pin (10b) như thể hiện trong hình D và kéo mạnh bộ pin ra khỏi công cụ.

### Tháo và lắp lưới cửa (Fig. E)

#### Tháo

- Giữ nút khóa trục quay (5) và xoay lưới cửa cho đến khi khóa trục quay được giải.
- Nói lỏng và tháo vít giữ lưới cửa (14) bằng cách xoay nó theo chiều kim đồng hồ bằng phím Allen (7) đi kèm.
- Tháo vòng đệm bên ngoài (13).
- Tháo lưới cửa (15).

#### Lắp

- Đặt lưới cửa (15) lên mặt bích bên trong (12), đảm bảo rằng mũi tên trên lưới cửa theo hướng giống với mũi tên trên công cụ.
- Lắp vòng đệm ngoài (13) vào trục quay, với phần nhô lên hướng ra khỏi lưới cửa.
- Lắp vít giữ lưới cửa (14) vào lỗ.
- Nhấn giữ nút khóa trục quay (5).
- Siết chặt vít giữ lưới cửa bằng cách xoay ngược chiều kim đồng hồ bằng cách sử dụng phím Allen (7) đi kèm.

### Điều chỉnh góc cửa (Hình F)

Sử dụng một hình vuông để kiểm tra xem góc giữa lưới cửa (15) và tấm chân đế là 90° không. Nếu góc đo không đạt 90°, hãy điều chỉnh như sau:

- Nói lỏng núm khoá (17) để mở khóa tấm chân đế cửa.
- Nói lỏng chốt khóa trên vít điều chỉnh (16).
- Vặn vít điều chỉnh vào hoặc ra để đạt được góc 90°.
- Vặn lại chốt khóa.
- Vặn chặt núm khóa để khóa tấm chân đế cửa vào đúng vị trí.

### Điều chỉnh độ sâu của vết cắt (Hình G)

Độ sâu của vết cắt nên được đặt theo độ dày của chi tiết gia công. Nó phải vượt quá độ dày khoảng 2 mm.

- Nói lỏng núm (18) để mở khóa tấm chân đế cửa.
- Di chuyển tấm chân đế cửa (6) tới vị trí mong muốn.
- Vặn chặt núm để khóa tấm chân đế cửa vào đúng vị trí.

### Điều chỉnh góc vát (Hình H)

Công cụ này có thể được đặt thành góc vát từ 0° đến 45°.

- Nói lỏng núm khoá (19) để mở khóa tấm chân đế cửa.
- Di chuyển tấm chân đế cửa (6) tới vị trí mong muốn. Góc vát tương ứng có thể được đọc từ tỷ lệ (20).
- Vặn chặt núm khóa để khóa tấm chân đế cửa vào đúng vị trí.

### Bật và tắt

- Để bật công cụ, hãy nhấn nút khóa tắt (2) và nhấn công tắc bật/tắt (1).

- Để tắt công cụ, hãy nhấn công tắc bật/tắt.

### Cửa

Luôn giữ công cụ bằng cả hai tay.

- Để lưới cửa chạy tự do trong vài giây trước khi bắt đầu cắt.
- Chỉ nhấn nhẹ lên công cụ trong khi cắt.
- Hãy làm việc với tấm chân đế (5) được ép vào chi tiết gia công.

**Lưu ý:** Chú ý không để các đầu lưới cửa quá nóng.

### Sử dụng thanh dẫn hướng tầm nhìn (Hình I)

Công cụ này được trang bị một thanh dẫn hướng để cắt thẳng (21) và cắt vát 45° (22).

- Căn chỉnh cạnh trái của thanh dẫn hướng (21) hoặc (22) với đường cắt (23).
- Giữ thanh dẫn hướng thẳng hàng với đường cắt trong khi cửa.
- Hãy làm việc với tấm chân đế (5) được ép vào chi tiết gia công.

### Hút bụi

Cần có bộ chuyển đổi để kết nối máy hút bụi với công cụ.

- Lắp bộ chuyển đổi hút bụi vào lỗ thoát bụi cửa (9).
- Kết nối ống của máy hút bụi với bộ chuyển đổi.

### Các gợi ý để sử dụng tối ưu

- Luôn sử dụng loại lưới cửa thích hợp với vật liệu gia công và kiểu cắt.
- Luôn giữ công cụ bằng cả hai tay.
- Để lưới cửa chạy tự do trong vài giây trước khi bắt đầu cắt.
- Chỉ nhấn nhẹ lên công cụ trong khi cắt.
- Hãy làm việc với tấm chân đế (5) được ép vào chi tiết gia công.
- Vì không thể tránh được một số mảnh vụn dọc theo đường cắt ở mặt trên của chi tiết gia công, nên hãy cắt ở phía có thể chấp nhận mảnh vụn.
- Trường hợp mảnh vụn cần được giảm thiểu, ví dụ: khi cắt các formica, kẹp một miếng ván ép lên trên cùng của chi tiết gia công.
- Đỡ các tấm lớn để giảm thiểu nguy cơ bị kẹp lưới và giật ngược. Các tấm lớn có xu hướng chùng xuống do trọng lượng của chúng.
- Các giá đỡ phải được đặt dưới tấm ở cả hai mặt, gần đường cắt và gần mép tấm đang được cắt.
- Không bao giờ cầm mảnh đang được cắt trên tay hoặc ngang chân.
- Cố định chi tiết gia công đến một mặt nền ổn định bằng các kẹp. Điều quan trọng là phải đỡ chi tiết gia công đúng cách để giảm thiểu sự tiếp xúc với cơ thể, mắc vào lưới cửa hoặc mất kiểm soát.

## Phụ kiện

Hiệu suất công cụ của bạn phụ thuộc vào phụ kiện được sử dụng. Các phụ kiện STANLEY FATMAX được thiết kế theo các tiêu chuẩn chất lượng cao và được thiết kế để nâng cao hiệu suất công cụ của bạn. Sử dụng những phụ kiện này giúp bạn sẽ có được hiệu suất tốt nhất từ công cụ của mình.

## Bảo trì

Thiết bị/dụng cụ có dây/không dây của STANLEY FATMAX được thiết kế để hoạt động trong thời gian dài và ít phải bảo trì nhất. Việc vận hành liên tục theo ý muốn tùy thuộc vào việc bảo quản đúng cách và vệ sinh thường xuyên.

Ngoài việc phải vệ sinh thường xuyên, bộ sạc của bạn không cần bảo trì gì thêm.



**Cảnh báo!** Trước khi thực hiện bất kỳ sự bảo trì công cụ nào, hãy tháo pin ra khỏi công cụ. Rút phích cắm bộ sạc trước khi thực hiện vệ sinh nó.

- Thường xuyên lau chùi các khe thông gió trong thiết bị/bộ sạc bằng chổi mềm hoặc khăn khô.
- Thường xuyên lau chùi vỏ động cơ bằng khăn ẩm.
- Không dùng chất tẩy rửa có chất mài mòn hay có chứa dung môi

## Bảo vệ môi trường



Thu gom riêng. Không được vứt bỏ các sản phẩm và pin có ký hiệu này cùng với rác thải sinh hoạt thông thường.

Các sản phẩm và pin chứa vật liệu có thể được thu hồi hoặc tái chế nhằm giảm nhu cầu về vật liệu thô. Vui lòng tái chế sản phẩm điện và pin theo các quy định tại địa phương. Để biết thêm thông tin, hãy truy cập [www.2helpU.com](http://www.2helpU.com)

## Thông số kỹ thuật

		SCC500
Điện áp	$V_{DC}$	18V (20V MAX)
Tốc độ không tải	$Min^{-1}$	4000
Độ sâu cắt tối đa	mm	54
Độ sâu cắt tối đa ở góc vát 45°	mm	45
Đường kính lưỡi cưa	mm	165
Lòng lưỡi cưa	mm	20
Chiều rộng đầu lưỡi cưa	mm	2.0
Trọng lượng	kg	3.4

Bộ sạc		SC125	SC200	SC400 SC401
Điện áp đầu vào	$V_{AC}$	220-240	220-240	220-240
Điện áp đầu ra	$V_{DC}$	18V (20V MAX)	18V (20V MAX)	18V (20V MAX)
Dòng điện	A	1.25	2	4

Pin		SB201	SB202	SB204	SB206
Điện áp	$V_{DC}$	18V (20V MAX)	18V (20V MAX)	18V (20V MAX)	18V (20V MAX)
Công suất	Ah	1.5	2.0	4.0	6.0
Loại		Li-Ion	Li-Ion	Li-Ion	Li-Ion

## THÔNG TIN DỊCH VỤ

STANLEY FATMAX cung cấp mạng lưới đầy đủ các địa điểm dịch vụ do công ty sở hữu và ủy quyền. Tất cả các Trung tâm Dịch vụ của STANLEY FATMAX đều có đội ngũ nhân viên được đào tạo để cung cấp cho khách hàng dịch vụ công cụ điện hiệu quả và đáng tin cậy. Để biết thêm thông tin về các trung tâm dịch vụ được ủy quyền của chúng tôi và nếu bạn cần tư vấn kỹ thuật, sửa chữa hoặc thay thế các bộ phận chính hãng của nhà máy, hãy liên hệ với địa điểm STANLEY FATMAX gần bạn nhất hoặc ghé thăm chúng tôi tại [www.stanleytools.com](http://www.stanleytools.com).





