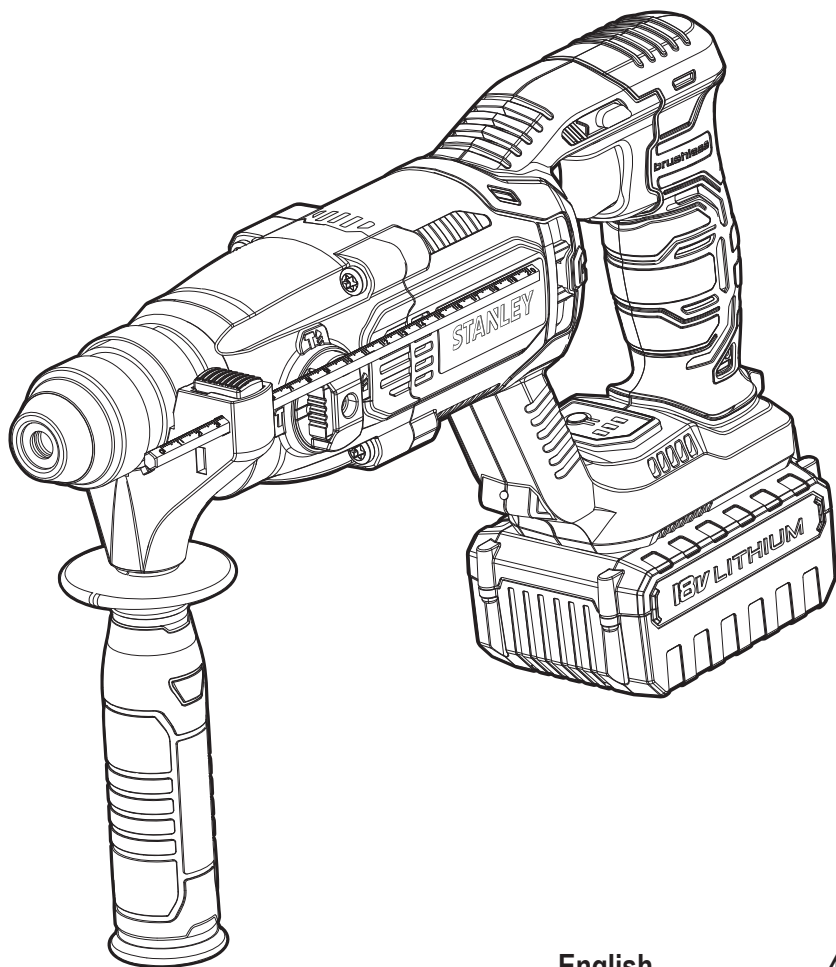
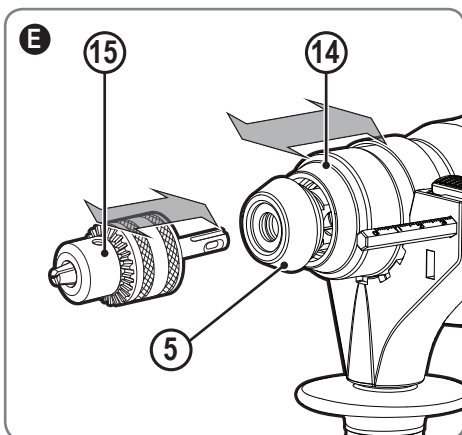
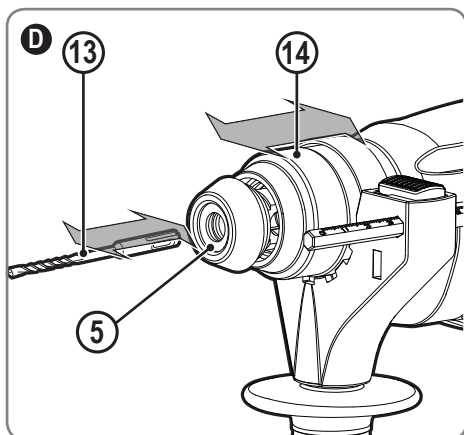
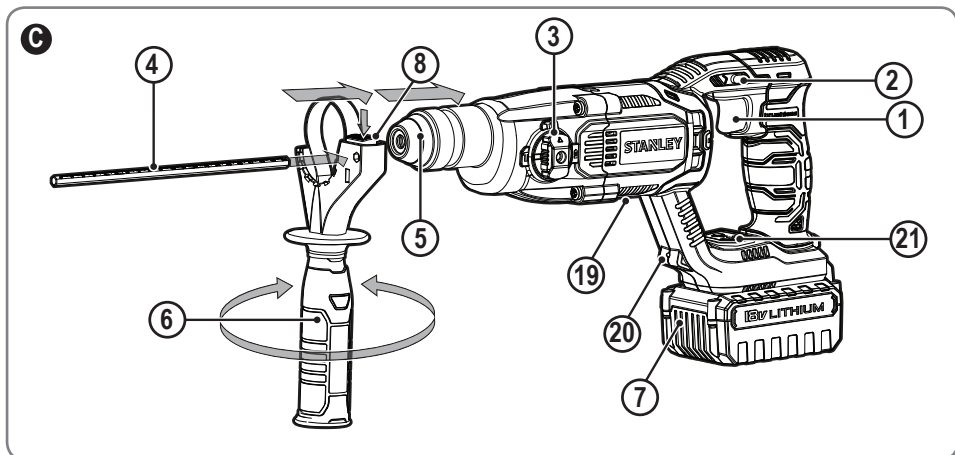
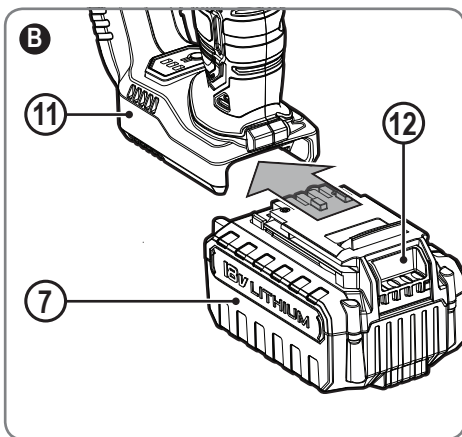
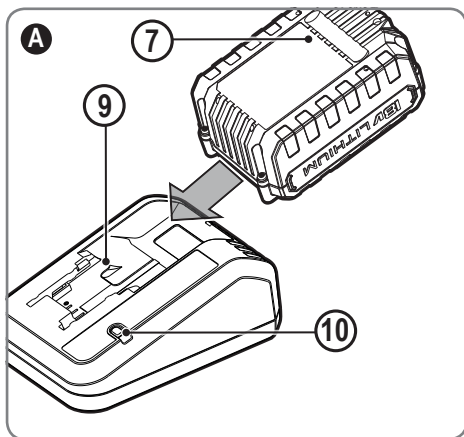


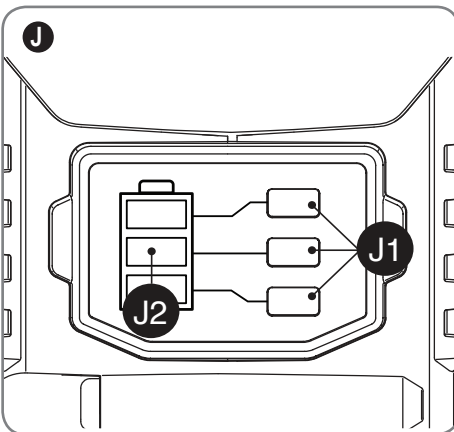
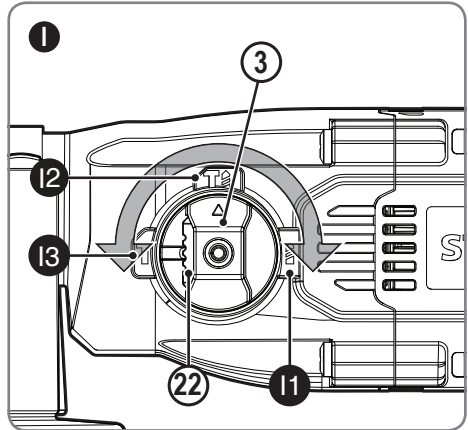
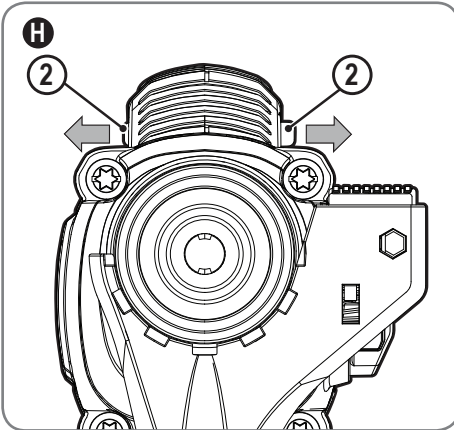
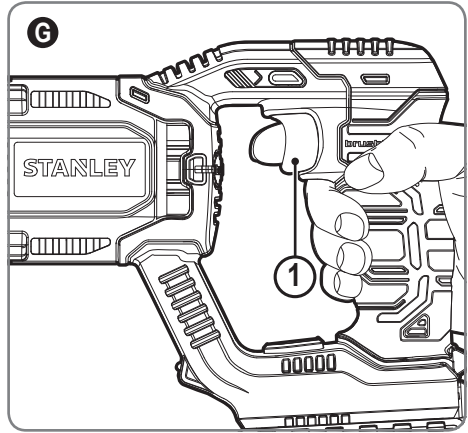
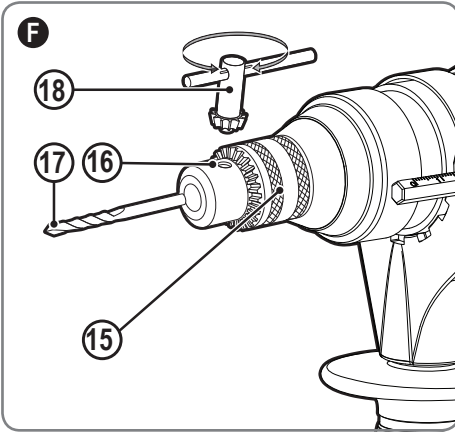
STANLEY



SBR20

English	4
繁體中文	10
한국어	15
ภาษาไทย	21





INTENDED USE

Your Stanley, SBR20 SDS rotary hammer have been designed for drilling in wood, metal, plastics, and masonry as well as for screwdriving and light chiselling applications. These tools are intended for professional and private, non professional users.

SAFETY INSTRUCTIONS

General power tool safety warnings



Warning! Read all safety warnings and all instructions. Failure to follow the warnings and instructions listed below may result in electric shock, fire and/or serious injury.

Save all warnings and instructions for future reference. The term "power tool" in the warnings refers to your mains operated (corded) power tool or battery operated (cordless) power tool.

1. **Work area safety**
 - a. **Keep work area clean and well lit.** Cluttered or dark areas invite accidents.
 - b. **Do not operate power tools in explosive atmospheres, such as in the presence of flammable liquids, gases or dust.** Power tools create sparks which may ignite the dust or fumes.
 - c. **Keep children and bystanders away while operating a power tool.** Distractions can cause you to lose control.
2. **Electrical safety**
 - a. **Power tool plugs must match the outlet. Never modify the plug in any way. Do not use any adapter plugs with earthed (grounded) power tools.** Unmodified plugs and matching outlets will reduce risk of electric shock.
 - b. **Avoid body contact with earthed or grounded surfaces such as pipes, radiators, ranges and refrigerators.** There is an increased risk of electric shock if your body is earthed or grounded.
 - c. **Do not expose power tools to rain or wet conditions.** Water entering a power tool will increase the risk of electric shock.
 - d. **Do not abuse the cord. Never use the cord for carrying, pulling or unplugging the power tool. keep cord away from heat, oil, sharp edges or moving parts.** Damaged or entangled cords increase the risk of electric shock.
3. **Personal safety**
 - a. **Stay alert, watch what you are doing and use common sense when operating a power tool. Do not use a power tool while you are tired or under the influence of drugs, alcohol or medication.** A moment of inattention while operating power tools may result in serious personal injury.
 - b. **Use personal protective equipment. Always wear eye protection.** Protective equipment such as dust mask, non-skid safety shoes, hard hat, or hearing protection used for appropriate conditions will reduce personal injuries.
 - c. **Prevent unintentional starting. Ensure the switch is in the off-position before connecting to power source and/or battery pack, picking up or carrying the tool.** Carrying power tools with your finger on the switch or energising power tools that have the switch on invites accidents.
 - d. **Remove any adjusting key or wrench before turning the power tool on.** A wrench or a key left attached to a rotating part of the power tool may result in personal injury.
 - e. **Do not overreach. Keep proper footing and balance at all times.** This enables better control of the power tool in unexpected situations.
 - f. **Dress properly. Do not wear loose clothing or jewellery. Keep your hair, clothing and gloves away from moving parts.** Loose clothes, jewellery or long hair can be caught in moving parts.
 - g. **If devices are provided for the connection of dust extraction and collection facilities, ensure these are connected and properly used.** Use of dust collection can reduce dust-related hazards.
4. **Power tool use and care**
 - a. **Do not force the power tool. Use the correct power tool for your application.** The correct power tool will do the job better and safer at the rate for which it was designed.
 - b. **Do not use the power tool if the switch does not turn it on and off.** Any power tool that cannot be controlled with the switch is dangerous and must be repaired.
- e. **When operating a power tool outdoors, use an extension cord suitable for outdoor use.** Use of a cord suitable for outdoor use reduces the risk of electric shock.
- f. **If operating a power tool in a damp location is unavoidable, use a residual current device (RCD) protected supply.** Use of an RCD reduces the risk of electric shock.

- c. **Disconnect the plug from the power source and/or the battery pack from the power tool before making any adjustments, changing accessories, or storing power tools.**

Such preventive safety measures reduce the risk of starting the power tool accidentally.

- d. **Store idle power tools out of the reach of children and do not allow persons unfamiliar with the power tool or these instructions to operate the power tool.** Power tools are dangerous in the hands of untrained users.
- e. **Maintain power tools. Check for misalignment or binding of moving parts, breakage of parts and any other condition that may affect the power tools operation. If damaged, have the power tool repaired before use.** Many accidents are caused by poorly maintained power tools.
- f. **Keep cutting tools sharp and clean.** Properly maintained cutting tools with sharp cutting edges are less likely to bind and are easier to control.
- g. **Use the power tool, accessories and tool bits etc. in accordance with these instructions, taking into account the working conditions and the work to be performed.** Use of the power tool for operations different from those intended could result in a hazardous situation.

5. Battery tool use and care

- a. **Recharge only with the charger specified by the manufacturer.** A charger A charger that is suitable for one type of battery pack may create a risk of fire when used with another battery pack.
- b. **Use power tools only with specifically designated battery packs.** Use of any other battery packs may create a risk of injury and fire.
- c. **When battery pack is not in use, keep it away from other metal objects like paper clips, coins, keys, nails, screws or other small metal objects that can make a connection from one terminal to another.** Shorting the battery terminals together may cause burns or a fire.
- d. **Under abusive conditions, liquid may be ejected from the battery, avoid contact. If contact accidentally occurs, flush with water. If liquid contacts eyes, additionally seek medical help.** Liquid ejected from the battery may cause irritation or burns.

6. Service

- a. **Have your power tool serviced by a qualified repair person using only identical replacement parts.** This will ensure that the safety of the power tool is maintained

HAMMER SAFETY WARNINGS



Warning! Hammer safety warnings for rotary and chiselling hammers

- ◆ **Wear ear protectors.** Exposure to noise can cause hearing loss.
- ◆ **Use auxiliary handles supplied with the tool.** Loss of control can cause personal injury.
- ◆ **Hold power tool by insulated gripping surfaces when performing an operation where the cutting accessory may contact hidden wiring.** Cutting accessory contacting a "live" wire may make exposed metal parts of the power tool "live" and could give the operator an electric shock.
- ◆ **Never use a chisel accessory in rotary mode.** The accessory will bind in the material and rotate the drill.
- ◆ **Use clamps or another practical way to secure and support the workpiece to a stable platform.** Holding the work by hand or against your body leaves it unstable and may lead to loss of control.
- ◆ Before drilling into walls, floors or ceilings, check for the location of wiring and pipes.
- ◆ Avoid touching the tip of a drill bit just after drilling, as it may be hot.
- ◆ This tool is not intended for use by persons (including children) with reduced physical, sensory or mental capabilities, or lack of experience and knowledge, unless they have been given supervision or instruction concerning use of the appliance by a person responsible for their safety. Children should be supervised to ensure that they do not play with the appliance.
- ◆ The intended use is described in this instruction manual. The use of any accessory or attachment or performance of any operation with this tool other than those recommended in this instruction manual may present a risk of personal injury and/or damage to property.
- ◆ Use a face or dust mask whenever the operations may produce dust or flying particles.

SAFETY OF OTHERS

- ◆ This appliance is not intended for use by persons (including children) with reduced physical, sensory or mental capabilities, or lack of experience and knowledge, unless they have been given supervision or instruction concerning use of the appliance by a person responsible for their safety.
- ◆ Children should be supervised to ensure that they do not play with the appliance.

Residual risks

Additional residual risks may arise when using the tool which may not be included in the enclosed safety warnings. These risks can arise from misuse, prolonged use etc.

Even with the application of the relevant safety regulations and the implementation of safety devices, certain residual risks can not be avoided. These include:

- ◆ Injuries caused by touching any rotating/moving parts.
- ◆ Injuries caused when changing any parts, blades or accessories.
- ◆ Injuries caused by prolonged use of a tool. When using any tool for prolonged periods ensure you take regular breaks.
- ◆ Impairment of hearing.
- ◆ Health hazards caused by breathing dust developed when using your tool (example:- working with wood, especially oak, beech and MDF.)

LABELS ON TOOL

The following symbols are shown on the tool along with date code:

	WARNING! To reduce the risk of injury, the user must read the instruction manual before use.		
	Wear ear protection.		
	Wear safety glasses or goggles.		
V	Volts		Direct current
A	Amperes	n_o	No-Load Speed
Hz	Hertz		Class II Construction
W	Watts		Earthing Terminal
min	minutes		Safety Alert Symbol
	Alternating Current	/min.	Revolutions or Reciprocation per minute

Position of Date Code (Fig. C)

The Date Code (19), which also includes the year of manufacture, is printed into the housing.

Example:

2018 XX 58
Year of manufacturing

Additional safety instructions for batteries and chargers

Batteries

- ◆ Never attempt to open for any reason.
- ◆ Do not expose the battery to water.
- ◆ Do not store in locations where the temperature may exceed 40 °C.
- ◆ Charge only at ambient temperatures between 10 °C and 40 °C.
- ◆ Charge only using the charger provided with the tool.
- ◆ When disposing of batteries, follow the instructions given in the section "Protecting the environment".



Do not attempt to charge damaged batteries.

Chargers

- ◆ Use your Stanley charger only to charge the battery in the tool with which it was supplied. Other batteries could burst, causing personal injury and damage.
- ◆ Never attempt to charge non-rechargeable batteries.
- ◆ Have defective cords replaced immediately.
- ◆ Do not expose the charger to water.
- ◆ Do not open the charger.
- ◆ Do not probe the charger.



The charger is intended for indoor use only.



Read the instruction manual before use.

ELECTRICAL SAFETY



Your charger is double insulated; therefore no earth wire is required. Always check that the mains voltage corresponds to the voltage on the rating plate. Never attempt to replace the charger unit with a regular mains plug.

- ◆ If the supply cord is damaged, it must be replaced by the manufacturer or an authorised Stanley Service Centre in order to avoid a hazard

THE PACKAGE CONTAINS

- 1 BL Hammer
- 2 4Ah Lithium Battery
- 1 2A Charger
- 1 Instruction Manual
- 1 Warranty Card
- 1 Service Center List
- 1 Kitbox

- ◆ Check for damage to the tool, parts or accessories which may have occurred during transport.
- ◆ Take the time to thoroughly read and understand this manual prior operation.

FEATURES (FIG.C)

This tool includes some or all of the following features.

1. On/Off switch
2. Forward/reverse selector
3. Mode selector
4. Depth stop
5. Tool holder
6. Side handle
7. Battery
20. LED work light
21. Battery fuel gauge

ASSEMBLY

Use

Warning! Let the tool work at its own pace. Do not overload.

Charging the battery (fig. A)

The battery needs to be charged before first use and whenever it fails to produce sufficient power on jobs that were easily done before. The battery may become warm while charging; this is normal and does not indicate a problem.

Warning! Do not charge the battery at ambient temperatures below 10 °C or above 40 °C. Recommended charging temperature: approx. 24 °C.

Note: The charger will not charge a battery if the cell temperature is below approximately 10 °C or above 40 °C. The battery should be left in the charger and the charger will begin to charge automatically when the cell temperature warms up or cools down.

- ◆ To charge the battery, insert the Battery (7) into the charger (9). The battery will only fit into the charger one way.
- ◆ Plug the charger (9) into a suitable power source and switch on.
- ◆ Charge discharged batteries within 1 week. Battery life will be greatly diminished if stored in a discharged state.

Fitting and removing the battery (fig. B)

- ◆ To fit the battery, line it up with the receptacle on the tool (11). Slide the battery into the receptacle and push until the battery snaps into place.
- ◆ To remove the battery, push the release button (12) and remove the battery from the receptacle.

Fitting the side handle (fig. C)

- ◆ Turn the grip counterclockwise until you can slide the side handle (6) onto the front of the tool as shown.
- ◆ Rotate the side handle into the desired position.
- ◆ Tighten the side handle by turning the grip clockwise.

Fitting and setting the depth stop (fig. C)

- ◆ Depress the button (8).
- ◆ Insert the depth stop (4) into the mounting hole as shown.
- ◆ Set the depth stop (4) to the desired position. The maximum drilling depth is equal to the distance between the tip of the drill bit and the front end of the depth stop.
- ◆ Release the button (8).

Fitting an accessory (fig. D - E)

- ◆ Clean and grease the shank (13) of the accessory.
- ◆ Pull back the sleeve (14) and insert the shank into the tool holder (5).
- ◆ Push the accessory down and turn it slightly until it fits into the slots.
- ◆ Pull on the accessory to check if it is properly locked. The hammering function requires the accessory to be able to move axially several centimetres when locked in the tool holder.
- ◆ To remove the accessory, pull back the sleeve (14) and pull out the accessory.

Keyed chuck (fig. F)(Optional)

- ◆ Open the chuck by turning the sleeve (15) anti-clockwise.
- ◆ Insert the bit shaft (17) into the chuck.
- ◆ Insert the chuck key (18) (Optional) into each hole (16) in the side of the chuck and turn clockwise until tight.

Warning! Before drilling into walls, floors or ceilings, check for the location of wiring and pipes.

Warning! Do not apply chisels when the tool is in the drilling mode.

Switching on and off (fig. G)

- ◆ To switch the tool on, press the on/off switch (1).
- ◆ To switch the tool off, release the on/off switch.

Forward/reverse action (fig. H)


- ◆ Move the selector (2) to indicate the direction you require.

Selecting the operating mode (fig. I)


The tool can be used in three operating modes.

- ◆ To operate the operating mode selector (3), push the unlock button (22) and rotate the selector towards the required position, as indicated by the symbols.


Drilling

- ◆ For drilling in steel, wood and plastics, and for screwdriving set the operating mode selector (3) to the  position (1).

Hammer drilling

- ◆ For hammer drilling in masonry and concrete, set the operating mode selector (3) to the  position (12). When hammering, the tool should not bounce and run smoothly. If necessary, increase the speed.

Chiseling

- ◆ For hammering with spindle lock, and for light chiselling and chipping, set the operating mode selector (3) to the  position (13).
- ◆ When changing from hammer drilling to chiselling, turn the chisel to the desired position. If resistance is felt during mode change, slightly turn the chisel to engage the spindle lock.

LED Work Light

When the tool is activated by pulling the trigger switch (1), the integrated LED work light (20) will automatically illuminate the work area. NOTE: The work light is for lighting the immediate work surface and is not intended to be used as a flashlight.

Battery Fuel Gauge (fig.J)

The tool is equipped with a battery fuel gauge (21). This can be used to display the current level of charge in the battery during use. It does not indicate tool functionality and is subject to variation based on product components, temperature and end-user application.

Checking battery charge during use:

- ◆ Press the battery fuel gauge button (J1).
- ◆ The three LEDs (J2) will illuminate indicating the percent of charge in the battery (figure J).
- ◆ If LED light does not illuminate, charge battery.

NOTE: This battery is designed to not operate when a charge below 20% of its capacity is reached. After the battery charge is depleted, the tool will not operate until after the battery has been recharged.

MAINTENANCE

Your Stanley corded/cordless appliance/tool has been designed to operate over a long period of time with a minimum of maintenance. Continuous satisfactory operation depends upon proper tool care and regular cleaning.

Warning! Before performing any maintenance on corded/cordless power tools:

- ◆ Switch off and unplug the appliance/tool.
- ◆ Regularly clean the ventilation slots in your appliance/tool/charger using a soft brush or dry cloth.
- ◆ Regularly clean the motor housing using a damp cloth. Do not use any abrasive or solvent-based cleaner.
- ◆ Regularly open the chuck and tap it to remove any dust from the interior (when fitted).

OPTIONAL ACCESSORIES

The performance of your tool depends on the accessory used. Stanley accessories are engineered to high quality standards and designed to enhance the performance of your tool. By using these accessories you will get the very best from your tool.

PROTECTING THE ENVIRONMENT



Separate collection. This product must not be disposed of with normal household waste.

Should you find one day that your Stanley product needs replacement, or if it is of no further use to you, do not dispose of it with household waste. Please sort it out for separate recycling.

Separate collection of used products and packaging allows materials to be recycled and used again. Reuse of recycled materials helps prevent environmental pollution and reduces the demand for raw materials.

Some local governments may require the local or municipal waste disposal centers or retailers of new products to provide households with electronic product recycling services.

Notes

STANLEY's policy is one of continuous improvement to our products and as such, we reserve the right to change product specifications without prior notice.

Standard equipment and accessories may vary by country.

Product specifications may differ by country.

Complete product range may not be available in all countries. Contact your local STANLEY dealers for range availability.

TECHNICAL DATA

		SBR20		
Input voltage	V_{DC}	18		
No-load speed	min^{-1}	0 - 2200		
Impact rate	min^{-1}	0 - 5775		
Weight	kg	2.80		
Max. drilling capacity				
Concrete	mm	20		
Steel	mm	13		
Wood	mm	30		
Battery		SCB20D	SCB20M	STBL184L
Voltage	V_{DC}	18	18	18
Capacity	Ah	2.0	4.0	4.0
type		Li-Ion	Li-Ion	Li-Ion
Charger		SC201	SC202	
Input Voltage	V_{AC}	230	230	
Output Voltage	V_{DC}	18	18	
Current	A	1.0	2.0	

設計用途

您的 Stanley SBR20 SDS SDS+ 電鏈鑽設計用於在木材、金屬、塑膠和磚石上鑽孔，以及螺旋應用和輕型鑿打用途。本工具適合專業及私人、非專業使用者操作。

安全說明

電動工具一般安全警告



警告！請閱讀所有安全警告及指示。
不遵循這些警告和指示可能會導致觸電、火災及/或嚴重傷害。

請妥善保存所有的警告和使用手冊以備將來查閱。警告中的名詞「電動工具」是指電源驅動（插電）電動工具，或者電池驅動（充電）電動工具。

1. 工作場地安全

- a. 保持工作場地清潔明亮。混亂或黑暗的場地會引發事故。
- b. 請勿在易爆環境，如有易燃液體、氣體或粉塵的環境中操作電動工具。電動工具產生的火花會點燃粉塵或氣體。
- c. 請等待兒童和旁觀者離開之後才操縱電動工具。分心會導致您疏於控制。

2. 電氣安全

- a. 電動工具插頭必須與插座相符。切勿以任何方式改裝插頭。需接地的電動工具不能使用任何配接器插頭。未經改裝的插頭和相符的插座可以減少觸電危險。
- b. 避免人體接觸接地表面，如管道、散熱片、爐灶和冰箱。若您的身體接地，可增加觸電危險。
- c. 請勿將電動工具暴露在雨中或潮濕環境中。水進入電動工具會增加觸電危險。
- d. 切勿濫用電線。請勿使用電線來搬運、拉動電動工具或拔出插頭。讓電線遠離熱、油、銳邊和活動部件。受損或纏繞的電線會提高觸電風險。
- e. 若要在戶外使用電動工具，請使用適合戶外使用的延長電纜。採用適合室外使用的電線可降低觸電危險。
- f. 若必須在潮濕場合使用電動工具，請使用漏電保護器（RCD）。使用 RCD 可降低觸電危險。

3. 人身安全

- a. 保持警覺；在操作電動工具時，請留意所執行的操作並按照一般的常識執行。請勿在疲倦，或受到藥物、酒精或治療的影響下操作電動工具。操作電動工具期間注意力分散會導致嚴重人身傷害。
 - b. 使用個人防護裝置。始終佩戴護目裝備。防護裝置，例如在適當條件下可使用的防塵面具、防滑安全鞋、安全帽或聽力保護等裝置可減少人身傷害。
 - c. 避免意外啟動。連接電源及/或電池組、檢取或搬運電動工具之前，請確定開關處於關閉位置。搬運電動工具時若將手指放在開關上，或是在接通開關電源時插入插頭都會引發危險。
 - d. 接通電動工具之前，請卸下所有的調整鑰匙或扳手。遺留在電動工具旋轉部件上的扳手或鑰匙會導致人身傷害。
 - e. 不要過度伸張雙手。時刻注意腳下和身體的平衡。如此即可在發生意外的情況下更好地控制電動工具。
 - f. 適當穿著。請勿穿寬鬆衣服或佩戴飾品。讓您的頭髮、衣服和手套遠離活動部件。寬鬆衣服、佩飾和長髮可能會捲入活動部件。
 - g. 若配備用於連接排屑裝置、集塵設備的裝置，請確定正確連接和使用這些裝置。使用集塵設備可減少與粉塵有關的危險。
- #### 4. 電動工具的使用與注意事項
- a. 請勿超負荷使用電動工具。根據您的用途使用適當的電動工具。使用適當的電動工具在其設計可負荷的應用內，會讓您更有效、更安全地執行工作。
 - b. 若開關不能開啟或關閉電源，切勿使用該電動工具。不能用開關來控制的電動工具將存在危險，必須進行維修。
 - c. 在執行任何調整、更換配件或儲存電動工具之前，必須從電源上拔掉插頭及/或卸下電池組。這類防護性措施可降低電動工具意外啟動的風險。
 - d. 請將閒置的電動工具儲存在兒童無法接觸的地方，並且勿讓不熟悉電動工具或對這些說明不瞭解的人員操作電動工具。電動工具在未經培訓的使用者手中會發生危險。

- e. 維護電動工具。檢查活動部件是否對準或卡住、是否存在任何破損情況，或任何能影響電動工具運行的其他情況。若有損毀，必須在使用之前修理電動工具。許多事故都是由於電動工具欠缺維護所導致。
 - f. 保持刀具鋒利和清潔。妥善維護、切削鋒利的切割工具不會輕易卡住並可更輕鬆控制。
 - g. 遵循使用指示、特定類型電動工具的專用方式，以及工作條件和所要執行的工作來使用電動工具、配件和工具鑽頭等。不按照設計目的使用電動工具將會導致危險。
5. 電池工具的使用與注意事項
- a. 只能使用製造廠商指定的充電器為電池充電。使用僅適合一種電池組的充電器為其他類型的電池組充電會導致火災危險。
 - b. 請使用原廠的電動工具電池組。使用其他非原廠的電池組會導致人身傷害和火災危險。
 - c. 不使用電池組時，請將其遠離迴紋針、硬幣、鑰匙、釘子、螺釘等所有可連通電池兩極的金屬物品。將電池兩極短路會導致灼傷或火災。
 - d. 濫用電池的情況下，液體會從電池中噴出，因此請避免與液體接觸。若不小心接觸液體，請用清水沖洗。若液體噴濺到眼睛上，沖洗之後還要進行治療。從電池噴出的液體會刺激皮膚或造成灼傷。
6. 檢修
- a. 本電動工具必須由合格的維修人員並只採用相同的原廠零件來執行檢修。這將確保電動工具的安全性。

電鉗鑽安全警告



警告！電鉗鑽和鑿錘的安全警告

- ◆ 請佩戴聽力保護器。噪音會使聽力受損。
- ◆ 請使用工具隨附的輔助手柄。工具失控會導致人身傷害。
- ◆ 若在執行操作時切削配件可能會接觸隱藏的電線，則從絕緣手柄表面握住電動工具。切削配件接觸到「帶電」導線，電動工具金屬部件表面就會「帶電」，從而導致操作人員觸電。
- ◆ 請勿在旋轉模式下使用鑿子配件。配件將卡在材料中並旋轉電鑽。

- ◆ 使用夾具或採取其他可行的方法，將工件固定、支撐到穩定的平台上。手持工件或用身體抵住工件會使工件不穩定並可能導致失控。
- ◆ 在牆上、地板和天花板上鑽孔前，請檢查電線和鋼管位置。
- ◆ 不要在鑽孔後立刻碰觸可能還帶熱的鑽頭尖端。
- ◆ 生理、感覺或心理機能不健全的人員（包括兒童）或缺乏經驗及知識的人員，除非由負責其安全的人員提供有關使用此器具的監督或指示，否則不得使用本工具。必須監督小孩，確保他們沒有耍玩器具。
- ◆ 本使用手冊對器具的設計用途進行了描述。使用非本使用手冊所建議的任何其他配件或附件，或使用本工具執行非本使用手冊中所建議的任何其他操作，可能會有人身傷害及/或財產損失的風險。
- ◆ 如果操作可能產生灰塵或飛屑，須使用面罩和防塵罩。

其他安全資訊

- ◆ 體力、感覺或智力不足，或者缺乏經驗及知識的人員（包括小孩）不適合使用本器具，除非負責他們安全的人員已經為他們提供關於使用此器具的監督或指示。
- ◆ 應該對兒童予以監督，以確保他們不會玩耍本器具。

剩餘風險

使用工具時可能會出現未包括於隨附安全警告中的其他剩餘風險。濫用、長時間使用等也會導致這些風險。

即使應用有關的安全規定並採用安全裝置，仍然還有一些無法避免的剩餘風險。這些風險包括：

- ◆ 接觸旋轉/活動部件引起的傷害。
- ◆ 更換任何部件、刀片或配件引起的傷害。
- ◆ 長時間使用工具引起的傷害。若長時間使用工具，請確定時時休息。
- ◆ 聽力受損。
- ◆ 吸入使用工具時產生的粉塵引起的健康危害（譬如：在木材上使用時，尤其是櫟木、山毛櫸和中密度纖維板（MDF）。）

工具上的標籤

本工具上具有以下圖示與日期代碼：

	警告！為了降低受傷的風險，使用者在使用前必須仔細閱讀使用手冊。		
	請佩戴聽力保護器。		
	請佩戴安全防護眼鏡或護目鏡。		
V	伏特		直流電
A	安培	n ₀	空載轉速
Hz	赫茲		II 級結構
W	瓦特		接地終端
min	分鐘		安全警告符號
~	交流電	/min.	每分鐘旋轉或鋸切數

日期代碼的位置 (圖 C)

日期代碼 (19) 亦包括製造年份，已印刷在工具外殼上。

範例：

2018 XX 58
製造年份

電池與充電器的附加安全指示

電池

- ◆ 無論什麼原因，都不要嘗試打開電池。
- ◆ 請勿將電池暴露在水中。
- ◆ 不要將電池儲存在溫度可能超過 40°C 的地方。
- ◆ 只在環境溫度介於 10°C 到 40°C 之間的情況下充電。
- ◆ 只能使用本工具隨附的充電器為電池充電。
- ◆ 處置電池時，請遵循「保護環境」部分提供的指示執行。



切勿試圖為損毀的電池充電。

充電器

- ◆ 只能使用工具隨附的 Stanley 充電器為工具內的電池充電。其他非原廠電池可能會爆裂，導致人身傷害和損害。
- ◆ 切勿嘗試為不可再充電的電池充電。
- ◆ 立即更換損壞的電線。
- ◆ 請勿將充電器暴露在水中。
- ◆ 請勿打開充電器。
- ◆ 請勿刺破充電器。



本充電器僅供室內使用。



使用之前請閱讀使用手冊。

電氣安全



您的充電器採用雙重絕緣，因此不需要使用接地線。請務必檢查主電壓是否與銘牌一致。切勿嘗試使用一般的電源插頭取代充電器裝置。

- ◆ 若電源線損毀，必須讓製造廠商或 Stanley 授權服務中心進行更換以避免發生危險

本套裝包括

- 1 個無碳刷電鏈鑽
- 2 枚 4 安時鋰電池
- 1 個 2 安充電器
- 1 本使用手冊
- 1 張保固卡
- 1 份維修中心清單
- 1 個工具箱
- ◆ 檢查工具、部件或配件有否在運送途中損壞。
- ◆ 操作前，請抽空徹底地閱讀和掌握本手冊的內容。

功能部件 (圖 C)

本工具包括以下部分或全部功能部件。

1. 電源開關
2. 正/反轉選擇器
3. 模式選擇器
4. 深度尺
5. 工具夾持器
6. 側手柄
7. 電池
20. LED 工作燈
21. 電池電量計

裝配

使用

警告! 請勿使工具超出本身之設計速度操作。請勿過載。

為電池充電 (圖 A)

第一次使用電池之前，以及電池無法像從前一樣為作業輕鬆提供足夠的電量時，需要為電池充電。電池在充電時可能會變熱；這是正常現象，並不表示出現任何問題。

警告! 請勿在環境溫度低於 10°C 或高於 40°C 的情況下為電池充電。建議的充電溫度為大約 24°C。

注意: 若電池溫度低於約 10°C 或高於 40°C，充電器將不會為電池充電。

電池應留在充電器中，電池溫度升高或降低後，充電器將自動開始充電。

- ◆ 若要為電池充電，請將電池 (7) 插入充電器 (9) 中。電池只能以一個方向裝入充電器。
- ◆ 將充電器 (9) 插入至合適的電源，並開啟電源。
- ◆ 請在 1 週內為電量已耗盡的電池充電。如果在電池耗盡的狀態下儲存，電池壽命將會極大地縮短。

安裝及卸下電池 (圖 B)

- ◆ 若要安裝電池，請將其與工具上的電池盒對齊 (11)。將電池滑入電池盒，然後推動直到電池卡入到位。
- ◆ 若要卸下電池，請在按下釋放按鈕 (12) 的同時將電池從電池盒中拉出。

安裝側手柄 (圖 C)

- ◆ 逆時針轉動手柄直到您可將側手柄 (6) 滑動至工具正面為止 (如圖所示)。
- ◆ 將側手柄旋轉至所需位置。
- ◆ 順時針轉動握柄，將側手柄轉緊。

安裝側手柄和深度尺 (圖 C)

- ◆ 按下按鈕 (8)。
- ◆ 將深度尺 (4) 插入安裝孔 (如圖所示)。
- ◆ 將深度尺 (4) 設定到所需位置。最大鑽孔深度相等於鑽頭尖端和深度尺前端之間的距離。
- ◆ 釋放按鈕 (8)。

安裝配件 (圖 D - E)

- ◆ 清潔配件的軸 (13) 並塗上潤滑油。
- ◆ 將套管 (14) 向後拉，然後將軸插入工具固定器 (5)。
- ◆ 將配件向下推，輕輕旋轉直到安裝到槽內。

- ◆ 拉一拉配件檢查是否已正確地鎖住。要使用錘擊功能，配件需要在工具固定器中鎖定時軸向地移動數公分。
- ◆ 若要卸下配件，將套管 (14) 向後拉並將配件拉出。

帶鏈夾頭 (圖 F) (選購)

- ◆ 透過逆時針轉動套管 (15) 以打開夾頭。
- ◆ 將鑽頭軸 (17) 插入夾頭。
- ◆ 將夾頭扳手 (18) (選購) 插入夾頭側邊的孔 (16) 中，然後順時針轉緊。

警告! 在牆上、地板和天花板上鑽孔之前，請檢查電線和鋼管位置。

警告! 工具在鑽孔模式下運行時請勿使用鑿子。

開啟和關閉電源 (圖 G)

- ◆ 若要開啟工具電源，請按下電源開關 (1)。
- ◆ 若要關閉工具電源，請釋放電源開關。

正/反轉動作 (圖 H)


- ◆ 調校選擇器 (2) 至您所需要的方向。

選擇操作模式 (圖 I)


本工具有三種操作模式。

- ◆ 要使用操作模式選擇器 (3)，請按了解鎖按鈕 (22) 並將選擇器旋轉至所需位置符號。


鑽孔

- ◆ 若要在鋼材、木材與塑膠上鑽孔，以及執行螺絲螺旋操作，請將操作模式選擇器 (3) 設定到  位置 (I)。

錘鑽

- ◆ 若要在磚石與混凝土上進行敲擊鑽孔，請將操作模式選擇器 (3) 設定到  位置 (II)。錘擊時，工具不得回彈，而應該運行平穩。必要時，可提高速度。

鑿打

- ◆ 要使用帶軸心鎖的錘擊功能以及輕型鑿打和鑿切功能時，將操作模式選擇器 (3) 設定到  位置 (III)。
- ◆ 從錘鑽模式改為鑿打模式時，將鑿子旋轉到所需位置。若改變操作模式時感覺到阻力，輕微轉動鑿子，使其與軸心鎖啮合。

LED 工作燈

按下觸發開關 (1) 啟動工具時，集成的 LED 工作燈 (20) 會自動為工作區提供照明。注意：工作燈用於照亮緊鄰的工作表面，而不是設計作為手電筒使用。

電池電量計 (圖 J)

工具配有一個電池電量計 (21)。使用電池期間，電池電量計可用於顯示當前的電量水平。它並不指示工具功能，且根據工具組件、溫度和最終使用者的應用而有所不同。

檢查使用期間的電量水平：

- ◆ 按下電池電量計按鈕 (J1)。
- ◆ 三個 LED 燈 (J2) 將會亮起，以指示電池的電量百分比 (圖 J)。
- ◆ 若 LED 燈不亮，請給電池充電。

注意：電池設計為當電量水平低於其容量的 20% 時停止工作。當電池電量耗盡時，工具將停止運行，直至電池重新充電。

維護

您的 Stanley 插電式/充電式裝置/工具採用卓越的設計，能夠長時間使用，並且只需最少的維護。若要持續獲得滿意的操作效果，需進行正確的工具維護和定期的清潔。

警告！ 在插電式/充電式電動工具上執行任何維護工作之前：

- ◆ 請關閉電源並拔下裝置/工具的插頭。
- ◆ 定期使用軟刷或乾布清潔器具/工具/充電器內的通風槽。
- ◆ 定期使用濕布清潔電動機外殼。請勿使用任何研磨性或溶劑型清潔劑。
- ◆ 請定期打開夾頭並輕敲以清除內部的任何粉塵 (如安裝)。

選購配件

本工具的效能取決於所使用的配件。Stanley 配件依據高品質標準進行規劃，專為增強本工具的效能而設計。透過使用這些配件，工具將提供極佳效能。

保護環境



分開收集。本產品必須與一般家庭廢物分開處置。

若您發現本 Stanley 產品需要更換或再無用處，請勿將其與家庭廢物一併處置。請將其分類以進行單獨回收。

透過分開收集用過的產品與包裝，可以實現材料的循環再生利用。重新使用回收的材料有助於防止環境污染，並降低對原材料的需求。

某些當地政府可能要求當地或市政廢物回收中心，或新產品的零售商提供電子家用產品的回收服務。

備註

STANLEY 的政策是持續改善我們的產品，因此，我們保留隨時變更產品規格的權利，恕不另行通知。

標準裝置和配件可能會根據不同的國家/地區而有所不同。

產品規格可能會根據不同的國家而有所不同。並非所有的國家/地區都將提供完整的產品系列。如需瞭解產品系列的供應情況，請聯絡您當地的 STANLEY 代理商。

技術資料

		SBR20		
最大/標稱電壓	伏特 _{直流}	20/18		
空載轉速	轉/分	0 - 2200		
衝擊率	轉/分	0 - 5775		
重量	千克	2.80		
最大鑽孔能力				
混凝土	公釐	20		
鋼材	公釐	13		
木材	公釐	30		
電池		SCB20D	SCB20M	STBL184L
電壓	伏特 _{直流}	18	18	18
容量	安時	2.0	4.0	4.0
類型		鋰離子	鋰離子	鋰離子
充電器		SC201	SC202	
輸入電壓	伏特 _{交流}	110	110	
輸出電壓	伏特 _{直流}	18	18	
電流	A	1.0	2.0	

注意：20V Max 為最大初始電池電壓 (無負載測量)，標稱電壓為 18V。

進口商：新加坡商百得電動工具 (股) 公司台灣分公司
地址：台北市士林區德行西路 33 號 2 樓
電話：02-28341741

總經銷商：永安實業股份有限公司
地址：新北市三重區新北大道二段 137 號
電話：02-29994633

용도

스탠리 SBR20 SDS 로타리 햄머는 나사를 조이고 가벼운 치즐링 용도뿐만 아니라 나무, 금속 및 플라스틱과 석재 드릴용으로 설계되었습니다. 이 공구는 전문가 및 제품 사용 교육을 받은 개인 사용자입니다.

안전 지침

전동 공구에 관한 일반 안전 경고



경고! 안전에 관한 모든 경고 및 모든 지시 사항을 숙지하십시오. 아래 나열한 경고 및 지시 사항을 준수하지 않으면 감전, 화재 및/또는 심각한 부상을 초래할 수 있습니다.

항후 참고할 수 있도록 모든 경고 및 지시 사항을 보관해두십시오. 경고에서 사용된 "전동 공구"라는 말은 주 공급 전원에 의해 전기가 공급되는(유선) 전동 공구 또는 충전식(무선) 전동 공구를 의미합니다.

1. 작업장 안전

- a. **작업 영역을 청결하고 밝게 유지하십시오.** 혼잡하거나 어두운 작업장에서는 사고가 발생하기 쉽습니다.
- b. **가연성 액체, 가스 또는 먼지 등 폭발 가능성이 있는 환경에서 전동 공구를 사용하지 마십시오.** 전동 공구에서 먼지나 가스를 발사시킬 수 있는 불꽃이 될 수 있습니다.
- c. **전동 공구로 작업하는 동안에는 어린이와 주변 사람들이 작업 영역에 가까이 들어오지 못하도록 하십시오.** 주변이 산만해져 통제력을 잃을 수 있습니다.

2. 전기 안전

- a. **전동공구의 플러그는 콘센트와 형식이 일치해야 하며, 플러그를 어떤 형태로든 개조 하지 마십시오.** 접지된(지면 접지) 전동 공구에 어떤 어댑터 플러그도 사용하지 마십시오. 개조되지 않은 플러그 및 형식이 일치하는 콘센트를 사용하면 감전 위험이 줄어듭니다.
- b. **파이프, 라디에이터, 렌치 및 냉장고 등과 같이 접지된 표면에 몸이 닿지 않도록 하십시오.** 신체가 접지되어 있으면, 감전 위험이 높아집니다.
- c. **전동 공구를 비 또는 습한 환경에 노출하지 않도록 주의하십시오.** 전동 공구에 물이 들어가면 감전 위험이 높아집니다.
- d. **코드를 함부로 다루지 마십시오.** 코드를 사용하여 전동 공구를 운반하거나 잡아당기거나 플러그를 뽑지 마십시오. 열, 오일, 날카로운 모서리 또는 움직이는 부품에서 멀리 떨어진 장소에 코드를 보관하십시오. 코드가 손상되거나 얽혀 있으면 감전 위험이 높아집니다.

- e. **전동 공구를 실외에서 사용할 때는 실외 사용에 적합한 연장 코드를 사용하십시오.** 실외 사용에 적합한 코드를 사용하면 감전 위험이 줄어듭니다.
- f. **전동공구를 습한 공간에서 사용할 경우, 반드시 누전 차단기(RCD)를 사용하십시오.** 누전 차단기(RCD)를 사용하면 감전의 위험이 줄어듭니다.

3. 신체 안전 사항

- a. **전동 공구로 작업할 때는 방심하지 말고 작업에 주의하면서 상식에 따르십시오.** 피곤한 상태이거나 약물, 술, 치료제를 복용한 상태에서는 전동 공구를 사용하지 마십시오. 전동 공구를 사용하다 잠깐만 한 눈을 팔아도 심각한 부상을 당할 수 있습니다.
 - b. **신체 보호 장비를 착용하십시오.** 항상 보안경을 착용하십시오. 적합한 상황에서 방진 마스크, 미끄럼 방지 안전화, 안전모 또는 청력 보호 기구 등의 보호 장비를 사용하면 신체 부상 위험이 줄어듭니다.
 - c. **갑작스러운 장비 가동을 방지하십시오.** 전원 및/또는 배터리 팩에 연결한 상태로 공구를 선택 또는 운반할 때는 사전에 스위치가 꺼짐 위치에 있는지 반드시 확인하십시오. 스위치가 켜짐 위치에 있는 상태에서 스위치에 손가락이 닿은 상태로 전동 공구를 운반하거나 전동 공구에 전원을 공급하면 사고가 발생합니다.
 - d. **전동 공구를 켜기 전에 모든 조정 키 또는 렌치를 제거하십시오.** 전동 공구의 회전 부품에 렌치나 키가 부착되어 있으면 부상을 당할 수 있습니다.
 - e. **무리하게 팔을 뻗지 마십시오.** 항상 올바른 자세로 서서 균형을 유지하십시오. 그러면 예기치 않은 상황에서의 전동 공구 제어 능력이 향상됩니다.
 - f. **적절한 의복을 착용하십시오.** 헐렁한 옷이나 장신구를 착용하지 마십시오. 머리카락, 옷 및 장갑이 움직이는 부품에 닿지 않도록 유의하십시오. 헐렁한 옷, 장신구 또는 긴 머리카락이 움직이는 부품에 걸 수 있습니다.
 - g. **먼지 배출 및 집진 시설 연결을 위한 장치가 제공된 경우, 이들 장치가 연결되어 적절히 사용되고 있는지 반드시 확인하십시오.** 집진 장치를 사용하면 먼지와 관련된 위험을 줄일 수 있습니다.
- #### 4. 전동 공구 사용 및 관리
- a. **전동 공구에 무리한 힘을 가하지 마십시오.** 해당 용도에 맞는 올바른 전동 공구를 사용하십시오. 올바른 전동 공구를 사용해 설계된 속도로 작업을 더욱 안전하고 정확하게 수행할 수 있습니다.
 - b. **스위치 켜짐/꺼짐이 되지 않는 전동 공구는 사용하지 마십시오.** 스위치로 제어되지 않는 전동 공구는 위험하며 수리해야 합니다.
 - c. **전동 공구를 조정하거나 액세서리를 변경하거나 보관하기 전에 전원 및/또는 배터리 팩에서 플러그를 빼십시오.** 이러한 예방적 안전 조치를

따라야 전동 공구가 갑자기 작동할 위험이 줄어듭니다.

- d. **사용하지 않는 전동 공구는 어린이의 손이 닿지 않는 곳에 보관하고, 전동 공구나 본 지시 사항에 익숙하지 않은 사람이 전동 공구를 절대 사용하지 못하게 하십시오.** 전동 공구는 훈련을 받지 않은 사용자가 다루면 위험합니다.
- e. **전동 공구 유지 보수, 움직이는 부품의 잘못된 정렬이나 바인딩, 부품 파손 및 기타 전동 공구의 작동에 영향을 미칠 수 있는 상태가 있는지 확인하십시오.** 손상된 부분이 있는 경우 사용하기 전에 전동 공구를 수리하십시오. 많은 사고는 전동 공구를 제대로 유지 보수하지 않아 발생합니다.
- f. **절삭 공구를 예리하고 깨끗한 상태로 유지하십시오.** 절단지식 가장자리를 예리하게 잘 유지하면 절단기를 사용할 때 바인딩이 적고 다루기가 용이합니다.
- g. **작업 환경과 수행할 작업을 고려하여, 본 지시 사항에 따라 전동 공구, 액세서리 및 톨 비트 등을 사용하십시오.** 본 사용 설명서의 내용과 다른 용도로 전동 공구를 사용하면 위험한 상황이 발생할 수 있습니다.

5. 배터리 공구 사용 및 관리

- a. **다시 충전할 때는 제조업체에서 지정한 충전기만 사용하십시오.** 하나의 배터리 팩 유형에 적합한 충전기를 다른 배터리 팩과 함께 사용할 경우 화재의 위험이 있습니다.
- b. **전동 공구를 사용할 때는 특수 설계된 배터리 팩을 함께 사용하십시오.** 다른 배터리 팩을 사용하면 부상을 입거나 화재의 위험이 있습니다.
- c. **배터리 팩을 사용하지 않을 때에는 클립, 동전, 열쇠, 못, 나사 등의 금속 물체나, 단자 간에 연결할 수 있는 작은 금속 물체가 닿지 않도록 멀리 두십시오.** 배터리 단자가 단락되면 화상을 입거나 화재가 발생할 위험이 있습니다.
- d. **배터리를 과다 사용하면 액체가 배터리에서 흘러 나올 수 있으므로 접촉을 피하십시오.** 실수로 접촉한 경우에는 물로 씻으십시오. 액체가 눈에 들어가면 치료를 받으십시오. 배터리에서 나온 액체는 통증을 유발하거나 화상을 입힐 수 있습니다.

6. 정비

- a. **자격을 갖춘 기술자가 동일 교체 부품을 사용하여 정비 작업을 수행해야 합니다.** 그래야 전동 공구의 안전이 보장됩니다.

햄머 안전 경고



경고! 로타리 및 치즐링 햄머에 대한 햄머 안전 경고

- ◆ **귀 보호 장구를 착용하십시오.** 소음에 노출되면 청력이 손상될 수 있습니다.
- ◆ **공구와 함께 제공된 보조 핸들을 사용하십시오.** 제어력을 잃으면 신체 부상을 당할 수 있습니다.
- ◆ **절삭 액세서리가 숨겨진 배선에 접촉할 수 있는 작업을 수행할 때는 절연된 손잡이 표면만 닿도록 하여 전동 공구를 잡으십시오.** "전류가 흐르는" 전선에 접촉된 절삭 액세서리는 전동 공구의 노출된 금속 부품을 "전류가 흐르는" 상태로 만들어 작업자를 감전시킬 수 있습니다.
- ◆ **절대 치즐 액세서리를 회전 모드로 사용하지 마십시오.** 액세서리가 작업물에 끼어 드릴을 회전시킵니다.
- ◆ **클램프 또는 다른 적절한 방식을 이용하여 안정된 작업대에 작업 공구들을 고정 및 지지하십시오.** 작업물을 손으로 잡거나 몸으로 지탱하는 행동은 불안정하여 제어력을 잃을 수 있습니다.
- ◆ **벽, 바닥 또는 천장에 드릴 작업을 하기 전에 배선 및 파이프의 위치를 확인하십시오.**
- ◆ **드릴 작업을 한 후에는 드릴 끝이 뜨거울 수 있으므로 만지지 마십시오.**
- ◆ **이 공구는 신체, 지각 또는 정신 능력이 낮거나 경험 및 지식이 부족한 사람(어린이 포함)이 사용하도록 설계되지 않았습니다.** 이러한 사람이 사용할 때는 안전 책임자의 감독 또는 제품 사용과 관련된 지시 사항이 필요합니다. 어린이가 본 제품을 가지고 놀지 못하도록 항상 주시해야 합니다.
- ◆ **본 사용 설명서에 제품의 용도가 설명되어 있습니다.** 본 사용 설명서에서 권장하는 방식 이외의 다른 방식으로 본 공구를 조작하거나 액세서리 또는 부착물을 사용하는 경우 신체 부상의 위험이 있거나 재산상의 손해가 발생할 수 있습니다.
- ◆ **작업 중에 먼지나 비산 파편이 생길 경우에는 항상 안전 마스크나 방진 마스크를 착용하십시오.**

다른 사람들의 안전

- ◆ **이 제품은 신체, 지각 또는 정신 능력이 낮거나 경험 및 지식이 부족한 사람(어린이 포함)이 사용하도록 설계되지 않았습니다.** 이러한 사람이 사용할 때는 안전 책임자의 감독 또는 제품 사용과 관련된 지시 사항이 필요합니다.
- ◆ **어린이가 본 제품을 가지고 놀지 못하도록 항상 주시해야 합니다.**

기타 발생 가능한 위험

공구를 사용할 때 동봉된 안전 경고에 포함되어 있지 않은 기타 발생 가능한 위험들이 있을 수 있습니다. 이러한 위험은 오용, 장시간 사용 등으로 인해 발생할 수 있습니다.

관련된 안전 규정을 준수하고 안전 장치를 사용한다고 해도 어떤 위험들은 피하지 못할 수도 있습니다. 이러한 위험으로는 다음과 같은 것들이 있습니다.

- ◆ 회전 부품이나 작동 부품을 만져 발생하는 부상.
- ◆ 부품, 톱날 또는 액세서리 변경으로 인한 부상.
- ◆ 장시간에 걸친 공구 사용으로 인한 부상. 어떤 공구이든 장시간에 걸쳐 사용할 때는 반드시 정기적인 휴식을 취하십시오.
- ◆ 청력 손상.
- ◆ 공구 사용 중에 발생하는 먼지를 호흡하여 유발되는 건강 위해성(예: 목재, 특히 오크, 너도밤나무 및 MDF 가공 작업).

공구 라벨

공구에는 날짜 코드와 함께 다음과 같은 기호가 표시되어 있습니다.

	경고! 부상 위험을 줄이려면 사용자는 사용 전에 사용 설명서를 주의 깊게 읽어야 합니다.		
	귀 보호 장구를 착용하십시오.		
	항상 보호 안경 또는 고글을 착용하십시오.		
V	볼트		직류 전류
A	암페어	no	무부하 속도
Hz	헤르츠		클래스 II 건설 산업용
W	와트		접지 단자
분	분		안전 경고 기호
~	교류 전류	/분.	분당 회전 또는 왕복 수

데이터 코드 위치(그림 C)

날짜 코드(19)에는 제조년도도 포함되어 케이스에 인쇄되어 있습니다.

예:

2018 XX 58
제조년도

배터리와 충전기 관련 추가 안전 지시 사항

배터리

- ◆ 어떤 이유로든 배터리 팩을 절대 열려고 하지 마십시오.
- ◆ 배터리에 물이 닿지 않도록 하십시오.
- ◆ 온도가 40 °C를 초과할 수 있는 곳에 보관하지 마십시오.
- ◆ 주변 온도가 10 °C - 40 °C 사이에 있을 때에만 충전하십시오.
- ◆ 충전할 때는 이 공구와 함께 제공된 충전기만 사용해야 합니다.
- ◆ 배터리를 폐기할 때는 "환경 보호" 섹션에 나와 있는 지시 사항을 따르십시오.



손상된 배터리를 충전하지 마십시오.

충전기

- ◆ 공구와 함께 제공된 배터리를 충전할 때는 스탠리 충전기만 사용하십시오. 다른 배터리를 사용하면 배터리가 폭발하여 신체 부상을 당하거나 손해를 입을 수 있습니다.
- ◆ 절대로 비충전식 배터리를 충전하려고 하지 마십시오.
- ◆ 손상된 코드는 즉시 교체하십시오.
- ◆ 충전기에 물이 닿지 않도록 하십시오.
- ◆ 충전기를 해체하거나 열지 마십시오.
- ◆ 충전기를 시험하지 마십시오.



충전기는 실내용으로만 사용합니다.



사용하기 전에 사용 설명서의 내용을 숙지하십시오.

전기 안전



본 충전기는 이중으로 절연되어 있으므로 접지가 필요 없습니다. 전원 전압이 명판에 기재된 전압과 일치하는지 항상 확인하십시오. 충전기를 절대로 일반 전원 플러그로 교체하지 마십시오.

- ◆ 전원 코드가 손상된 경우 사고가 발생하지 않도록 제조업체 또는 공인 스탠리 서비스 센터에서 교체해야 합니다.

포장에는 다음 내용물이 들어 있습니다

- 1 x BL 햄머
- 2 x 4Ah 배터리
- 1 x 2Ah 충전기
- 1 x 사용설명서
- 1 x 제품보증카드
- 1 x 서비스 센터 목록
- 1 x 공구 박스

- ◆ 운반 중에 발생할 수 있는 공구, 부품 또는 액세서리의 손상 여부를 확인하십시오.
- ◆ 작동 전에 시간을 내어 본 사용 설명서를 읽고 숙지하십시오.

기능(그림 C)

본 공구에는 다음 기능들 중 일부 또는 모두가 포함되어 있습니다.

1. 켜짐/꺼짐 스위치
2. 전진/후진 전환레버
3. 모드 전환레버
4. 깊이조절 가이드
5. 공구 홀더
6. 사이드 핸들
7. 배터리
20. LED 작업등
21. 배터리 잔량표시계

조립

사용법

경고! 공구를 정상 속도로 가동하십시오. 과부하가 발생하면 안 됩니다.

배터리 충전(그림 A)

배터리를 처음 사용하기 전에 배터리가 완충되어 있는지 확인하십시오. 배터리 충전중에 배터리 표면이 일시적으로 뜨거워질 수 있습니다. 이는 정상적인 현상이며 고장이 아닙니다.

경고! 주변 온도가 10 °C 미만이거나 40 °C 이상일 때는 배터리를 충전하지 마십시오. 권장 충전 온도: 약 24 °C.

참고: 전지 온도가 10°C 미만이거나 40°C를 초과했을 때는 충전기가 배터리를 충전하지 않습니다.

배터리를 충전기에 남겨 둘 경우 전지 온도가 증가하거나 냉각되면 충전기가 자동으로 충전을 시작합니다.

- ◆ 배터리를 충전하려면, 배터리(7)를 충전기(9)에 끼웁니다. 배터리는 충전기에 한 방향으로만 장착됩니다.
- ◆ 충전기(9)의 플러그를 적합한 전원에 꽂고 스위치를 켭니다.

- ◆ 배터리는 주기적으로 충전하십시오. 방전된 상태로 보관하면 배터리 수명이 크게 저하됩니다.

배터리 장착 및 분리(그림 B)

- ◆ 배터리를 끼우려면 배터리를 공구(11)의 배터리 장착부에 맞춥니다. 배터리를 배터리 장착부에 밀어 넣어 제자리에 끼웁니다.
- ◆ 배터리를 분리하려면 해제 버튼(12)을 누르고 배터리를 배터리 장착부에서 뺍니다.

사이드 핸들 장착(그림 C)

- ◆ 그림과 같이 사이드 핸들(6)이 공구 앞으로 밀 수 있을 때까지 그림을 시계 반대 방향으로 돌립니다.
- ◆ 원하는 위치로 사이드 핸들을 돌립니다.
- ◆ 그림을 시계 방향으로 돌려서 사이드 핸들을 조입니다.

깊이 조절 가이드 장착 및 설정(그림 C)

- ◆ 버튼(8)을 누릅니다.
- ◆ 그림과 같이 깊이 조절 가이드(4)를 장착 구멍에 끼웁니다.
- ◆ 깊이 조절 가이드(4)를 필요한 위치로 설정합니다. 최대 드릴 깊이는 드릴 비트 끝과 깊이 조절 가이드 간 거리와 같습니다.
- ◆ 버튼(8)에서 손을 뺍니다.

액세서리 장착(그림 D - E)

- ◆ 액세서리의 샹크(13)를 닳고 그리스를 바릅니다.
- ◆ 슬리브(14)를 뒤로 당기고 공구 홀더(5)에 샹크를 끼우십시오.
- ◆ 액세서리 아래를 밀어 슬롯에 맞을 때까지 약간 돌립니다.
- ◆ 액세서리를 잡아 당겨 제대로 잠겼는지 확인하십시오. 햄머 기능을 사용하려면 공구 홀더에 잠겨 있을 때 액세서리를 축 방향으로 몇 센티미터 이동할 수 있어야 합니다.
- ◆ 액세서리를 분리하려면, 슬리브(14)를 뒤로 당겨서 액세서리를 당겨 뺍니다.

키 척(그림 F) (선택사항)

- ◆ 슬리브(15)를 시계 반대 방향으로 돌려 척을 여십시오.
- ◆ 비트 샹크(17)를 척에 삽입합니다.
- ◆ 척의 옆면에 있는 각 구멍(16)마다 척 키(18) (선택적)를 끼우고 팍 조여질 때까지 시계 방향으로 돌리십시오.

경고! 벽, 바닥 또는 천장에 드릴 작업을 하기 전에 배선 및 파이프의 위치를 확인하십시오.

경고! 공구가 드릴 모드에 있을 때는 치출을 쓰지 마십시오.

전원 켜기 및 끄기(그림 G)

- ◆ 공구 스위치를 켜려면 on/off 스위치(1)를 누릅니다.
- ◆ 공구 스위치를 끄려면 on/off 스위치를 놓습니다.

전진/후진 작동(그림 H)


- ◆ 전환레버(2)를 이동해 필요한 방향을 나타냅니다.

작동 모드 선택(그림 I)


세 개의 작동 모드에서 공구를 사용할 수 있습니다.

- ◆ 작동 모드 전환레버(3)를 작동하려면, 잠금 해제 버튼(22)을 누르고 기호로 표시된 대로 전환레버를 필요한 위치로 돌립니다.


드릴 작업

- ◆ 철재, 목재 및 플라스틱에서 드릴 작업을 하거나 나사를 박는 경우, 작동 모드 전환레버(3)를  위치(1)로 설정하십시오.

햄머 드릴 작업

- ◆ 석재 및 콘크리트에서 햄머 드릴 작업 시에는, 작동 모드 전환레버(3)를  위치(12)로 설정합니다. 햄머 드릴 작업 시, 공구가 튀거나 부드럽게 작동되어서는 안 됩니다. 필요할 경우, 속도를 높이십시오.

치즐링

- ◆ 스피들 잠금 장치로 햄머 드릴 작업을 하거나 가벼운 치즐링 및 파쇄 작업의 경우 작동 모드 전환레버(3)를  위치(13)로 설정합니다.
- ◆ 햄머 드릴 작업에서 치즐링으로 변경할 때 치즐을 원하는 위치로 돌립니다. 모드 변경 동안 저항이 느껴지는 경우, 치즐을 약간 돌려서 스피들 잠금 장치를 작동합니다.

LED 작업등

트리거 스위치(1)를 당겨 공구가 작동되면, 통합 LED 작업등(20)이 작업 영역을 자동으로 비춥니다. 참고: 작업등은 인접한 작업대를 비추기 위한 것이며 손전 등으로 사용하기 위한 것이 아닙니다.

배터리 잔량표시계(그림 J)

공구에는 배터리 잔량표시계(21)가 장착되어 있습니다. 이는 배터리의 현재 충전 상태를 표시합니다. 공구의 기능성을 나타내는 것이 아니며 제품 구성품, 온도 및 최종 사용자의 용도에 따라 변경될 수 있습니다.

사용 중 배터리 충전 상태 확인:

- ◆ 배터리 잔량표시계 버튼(J1)을 누릅니다.
- ◆ 배터리의 충전 비율을 표시하면서 세 개의 LED (J2)가 점등됩니다(그림 J).
- ◆ LED 등이 점등되지 않을 경우, 배터리를 충전하십시오.

참고: 이 배터리는 용량의 20% 미만 충전 시에는 작동되지 않도록 설계되었습니다. 배터리 충전이 고갈 되면, 배터리가 재충전될 때까지 공구가 작동되지 않습니다.

유지 보수

스탠리 유선/무선 기기/공구는 최소한의 유지 보수로 장기간에 걸쳐 작업이 가능하도록 설계되어 있습니다. 만족스러운 연속 작동은 적절한 공구 관리와 정기적인 청소에 따라 그 성능이 달라질 수 있습니다.

경고! 유선/무선 전동 공구에 유지보수를 수행하기 전에:

- ◆ 제품/공구의 전원 플러그를 뽑으십시오.
- ◆ 부드러운 브러시와 마른 헝겊으로 기기/공구/충전기의 환기 슬롯을 주기적으로 청소하십시오.
- ◆ 젖은 헝겊으로 모터 하우징을 주기적으로 청소하십시오. 연마재 및 유성 클리너를 사용하지 마십시오.
- ◆ 척을 주기적으로 열고 가볍게 두드려 내부의 먼지를 털어내십시오.

선택 액세서리

전동 공구의 성능은 사용한 액세서리에 따라 결정됩니다. 스탠리 액세서리는 높은 품질 기준을 만족하도록 제조되었으며, 공구의 성능을 향상시키도록 설계되었습니다. 이러한 액세서리를 사용함으로써 공구의 기능을 최대한 활용할 수 있습니다.

환경 보호

분리 수거. 본 제품을 일반 가정용 쓰레기로 처리하면 안 됩니다.



스탠리 제품을 교체해야 하거나 더 이상 쓸모가 없어졌다고 판단될 때는 본 제품을 가정용 쓰레기와 함께 처리하지 마십시오. 분리 재활용으로 분류하십시오.

사용하던 제품과 포장을 분리 수거하면 자원을 재활용 및 재사용할 수 있습니다. 재활용 자원을 이용하면 환경 오염이 방지되고 고철 자원에 대한 수요를 줄일 수 있습니다.

일부 지방 정부는 가정에 가전제품 재활용 서비스를 제공하기 위해 지역 또는 지방 자치체의 폐기물 처리 센터 또는 신제품 소매점이 필요할 수 있습니다.

참고

STANLEY의 정책은 제품을 지속적으로 개선시키는 것이기 때문에 사전 통지 없이 제품 사양이 변경될 수 있습니다.

기본 장비 및 액세서리 구성은 각 국가에 따라 다를 수 있습니다.

제품 사양은 국가에 따라 다를 수 있습니다.

국가에 따라 판매하지 않는 제품도 있을 수 있습니다. 제품 판매 여부는 해당 지역에 있는 스탠리 판매점으로 문의하십시오.

기술 데이터

		SBR20		
입력 전압	V_{AC}	18		
무부하 속도	분 ⁻¹	0 - 2200		
분당타격수	분 ⁻¹	0 - 5775		
무게	kg	2.80		
최대 드릴 용량				
콘크리트	mm	20		
철재	mm	13		
목재	mm	30		
배터리		SCB20D	SCB20M	STBL184L
전압	V_{DC}	18	18	18
용량	Ah	2.0	4.0	4.0
타입		리튬 이온	리튬 이온	리튬 이온
충전기		SC201	SC202	
입력 전압	V_{AC}	230	230	
출력 전압	V_{DC}	18	18	
전류	A	1.0	2.0	

วัตถุประสงค์ในการใช้งาน

สว่านโรตารีรุ่น SBR20 SDS ของ Stanley ได้รับการออกแบบมาสำหรับการเจาะไม้ โลหะ พลาสติก และปูน รวมถึงการใช้สำหรับการขึ้นสกรูและการสกัดในงานที่ไม่หนักมาก เครื่องมือเหล่านี้มีวัตถุประสงค์เพื่อการใช้งานของผู้ใช้ระดับมืออาชีพ ส่วนตัว และผู้ใช้ทั่วไป

คำแนะนำด้านความปลอดภัย

คำเตือนเพื่อความปลอดภัยสำหรับเครื่องมือไฟฟ้าทั่วไป



คำเตือน! อ่านคำเตือนด้านความปลอดภัยและคำแนะนำทั้งหมด การไม่ปฏิบัติตามคำเตือนและคำแนะนำตามที่ระบุไว้ด้านล่างนี้ อาจทำให้ถูกไฟฟ้าช็อต เกิดเพลิงไหม้และ/หรือได้รับบาดเจ็บสาหัสได้

โปรดเก็บรักษาคำเตือนและข้อปฏิบัติทั้งหมดนี้ไว้เพื่อใช้อ้างอิงในภายหลัง คำว่า “เครื่องมือไฟฟ้า” ในคำเตือนหมายถึง เครื่องมือไฟฟ้า (แบบมีสาย) ที่ทำงานด้วยแหล่งจ่ายไฟหลัก หรือเครื่องมือไฟฟ้า (แบบไร้สาย) ที่ทำงานด้วยแบตเตอรี่

1. ความปลอดภัยในบริเวณที่ทำงาน

- ก) พื้นที่ทำงานจะต้องสะอาดและมีแสงสว่างเพียงพอ บริเวณที่มีดหรือมีของวางระเกะระกะ อาจทำให้เกิดอุบัติเหตุได้
- ข) ห้ามใช้เครื่องมือไฟฟ้าในบริเวณที่อาจเกิดการระเบิด เช่น เมื่อมีขงเหลว แก๊ส หรือฝุ่นละอองที่ไวไฟ เครื่องมือไฟฟ้าจะทำให้เกิดประกายไฟที่อาจทำให้เกิดขงไฟหรือเปลวไฟขึ้นได้
- ค) ระวังไม่ให้เด็กเล็กและคนเดินผ่านไปมาเข้าใกล้ในขณะที่ใช้งานเครื่องมือไฟฟ้า สิ่งรบกวนอาจทำให้คุณเสียสมาธิได้

2. ความปลอดภัยทางไฟฟ้า

- ก) ปลั๊กไฟของเครื่องต้องเป็นชนิดเดียวกับเต้ารับ ห้ามดัดแปลงปลั๊กไม่ว่าด้วยวิธีใด ห้ามใช้ปลั๊กอะแดปเตอร์ใดๆ กับเครื่องมือไฟฟ้าที่ต่อสายดิน (ลงกราวด์) ปลั๊กที่ไม่มีการดัดแปลงและเต้ารับชนิดเดียวกันจะช่วยลดความเสี่ยงจากการถูกไฟฟ้าช็อต
- ข) หลีกเลี่ยงการสัมผัสพื้นผิวที่ต่อสายดินหรือลงกราวด์ เช่น ท่อ เครื่องทำความร้อน เตาหุงต้ม และตู้เย็น มีความเสี่ยงเพิ่มขึ้นที่จะถูกไฟฟ้าช็อตหากร่างกายของคุณเป็นสื่อเชื่อมต่อกับดินหรือลงกราวด์

- ค) อย่าให้เครื่องมือไฟฟ้าถูกฝนหรือเปียก น้ำที่เข้าเครื่องมือไฟฟ้าจะทำให้มีความเสี่ยงในการถูกไฟฟ้าช็อตเพิ่มขึ้น
- ง) ห้ามใช้สายไฟผิดวัตถุประสงค์ **ไม่ใช่สายไฟเพื่อทำการหัว ดึงหรือถอดปลั๊กโดยจับที่สายไฟ** เก็บสายไฟให้พ้นจากความร้อน น้ำมัน ของมีคม หรือชิ้นส่วนที่กำลังเคลื่อนที่ สายไฟที่ชำรุดหรือพันกันเป็นการเพิ่มความเสี่ยงจากการถูกไฟฟ้าช็อต
- จ) เมื่อใช้เครื่องมือไฟฟ้านอกอาคาร ให้ใช้สายต่อพ่วงที่เหมาะสมสำหรับการใช้งานนอกอาคาร การใช้สายไฟที่เหมาะสมสำหรับการใช้งานนอกอาคารจะช่วยลดความเสี่ยงจากการเกิดไฟฟ้าช็อต
- ฉ) หากไม่สามารถหลีกเลี่ยงการใช้เครื่องมือไฟฟ้าในบริเวณที่ชื้นและได้ ให้ใช้อุปกรณ์ป้องกันไฟดูด (RCD) การใช้ RCD จะเป็น การลดความเสี่ยงจากการถูกไฟฟ้าช็อต

3. ความปลอดภัยส่วนบุคคล

- ก) ตื่นตัวและมีสมาธิกับสิ่งที่คุณกำลังทำ รวมทั้งใช้สามัญสำนึกในขณะที่กำลังใช้งาน เครื่องมือไฟฟ้า ห้ามใช้เครื่องมือไฟฟ้าในขณะที่คุณกำลังเหนื่อยหรือได้รับอิทธิพลจากยา แอลกอฮอล์ หรือการรักษาบางอย่าง การขาดความระมัดระวังในการใช้เครื่องมือไฟฟ้าแม้ชั่วขณะหนึ่งอาจทำให้บาดเจ็บสาหัสได้
- ข) ใช้อุปกรณ์คุ้มครองความปลอดภัยส่วนบุคคลสวมอุปกรณ์ป้องกันดวงตาเสมอ อุปกรณ์ป้องกัน เช่น หน้ากากกันฝุ่น รองเท้านิรภัยกันส้น หมวกนิรภัย หรืออุปกรณ์ป้องกันเสียงดังสำหรับสภาพที่เหมาะสมจะช่วยลดอาการบาดเจ็บทางร่างกาย
- ค) ป้องกันเครื่องเปิดทำงานโดยไม่ตั้งใจ สวิตช์ต้องอยู่ในตำแหน่งปิดก่อนที่จะเสียบปลั๊กของเครื่องเข้ากับแหล่งจ่ายไฟ และ/หรือ แบตเตอรี่ หรือก่อนยกหรือหัวเครื่องมือการยกเครื่องมือไฟฟ้าในขณะที่นิ้วอยู่ที่สวิตช์ หรือใช้เครื่องมือไฟฟ้าที่สวิตช์เปิดอยู่ อาจทำให้เกิดอุบัติเหตุได้
- ง) ถอดกุญแจปรับแต่งหรือประแจออกก่อนเปิดสวิตช์เครื่องมือไฟฟ้า ประแจหรือกุญแจที่เสียบค้างอยู่ในชิ้นส่วนที่หมุนได้ของเครื่องมือไฟฟ้าอาจทำให้ได้รับบาดเจ็บได้
- จ) ห้ามยื่นแขนเข้าขณะใช้เครื่อง ควรยืนในท่าที่เหมาะสมและสมดุลตลอดเวลา เพื่อช่วยในการควบคุมเครื่องมือไฟฟ้าได้ดียิ่งขึ้นในสถานการณ์ที่ไม่คาดคิด
- ฉ) แต่งกายให้เหมาะสม ห้ามสวมเสื้อผ้าหลวม หรือใส่เครื่องประดับ รวบผม ชายเสื้อ และถุงมือให้ห่างจากชิ้นส่วนที่กำลังหมุน เสื้อผ้าที่

หลวม เครื่องประดับ หรือผมที่ยาวอาจเข้าไปพันกับชิ้นส่วนที่กำลังหมุน

ข) หากมีอุปกรณ์สำหรับดูดและเก็บฝุ่น ต้องตรวจสอบให้แน่ใจว่าได้เชื่อมต่อและใช้งานอุปกรณ์นั้นอย่างเหมาะสม การใช้อุปกรณ์เก็บฝุ่นจะช่วยลดอันตรายที่เกี่ยวข้องกับฝุ่นได้

4. การใช้งานและการดูแลรักษาเครื่องมือไฟฟ้า

ก) ห้ามฝืนใช้เครื่องมือไฟฟ้า เลือกรุ่นเครื่องมือไฟฟ้าที่ถูกต้องตรงกับลักษณะการใช้งานของคุณ เครื่องมือไฟฟ้าที่ถูกต้องย่อมทำงานได้ดีกว่าและปลอดภัยกว่า เมื่อใช้งานตามพิกัดที่เครื่องมือได้รับการออกแบบมา

ข) ห้ามใช้เครื่องมือไฟฟ้าถ้าสวิตช์เปิดปิดเครื่องไม่ทำงาน เครื่องมือไฟฟ้าที่ไม่สามารถควบคุมผ่านสวิตช์ได้ ถือว่ามีอันตรายและต้องส่งซ่อม

ค) ถอดปลั๊กของเครื่องมือไฟฟ้าออกจากแหล่งจ่ายไฟ และ/หรือถอดชุดแบตเตอรี่ออกจากเครื่องมือก่อนทำการปรับแต่ง เปลี่ยนอุปกรณ์เสริม หรือจัดเก็บเครื่องมือไฟฟ้า มาตรการเพื่อความปลอดภัยเชิงการป้องกันนี้จะช่วยลดความเสี่ยงในการผล็อยเปิดเครื่องให้ทำงานโดยบังเอิญ

ง) เก็บเครื่องมือไฟฟ้าที่ไม่ใช้งานไว้ในหีบบล็อก และ/หรืออนุญาตให้บุคคลที่ไม่คุ้นเคยกับเครื่องมือไฟฟ้าหรือคำแนะนำเหล่านี้เป็นผู้ใช้เครื่องมือ เครื่องมือไฟฟ้าจะเป็นอันตรายต่อผู้ใช้หากอยู่ในมือผู้ใช้ที่ไม่มีประสบการณ์

จ) บำรุงรักษาเครื่องมือไฟฟ้า ตรวจสอบว่าชิ้นส่วนที่เคลื่อนที่ได้มีการวางไม่ตรงแนวหรือติดขัดหรือไม่ มีชิ้นส่วนที่แตกหัก และสภาพอื่นใดที่อาจส่งผลกระทบต่อการทำงานของเครื่องมือไฟฟ้าหรือไม่ หากชำรุดเสียหายให้นำเครื่องมือไปส่งซ่อมก่อนนำมาใช้ อุบัติเหตุจำนวนมากเกิดจากการดูแลรักษาเครื่องมือไฟฟ้าไม่ดีพอ

ฉ) เครื่องมือตัดตัดต้องคมและสะอาดอยู่เสมอ เครื่องมือตัดที่ได้รับการดูแลอย่างถูกต้อง และมีขอบตัดคม จะมีปัญหาติดขัดน้อยและควบคุมได้ง่ายกว่า

ช) ใช้เครื่องมือไฟฟ้า อุปกรณ์เสริมและชุดอุปกรณ์ต่างๆ ให้สอดคล้องกับคำแนะนำเหล่านี้และตรงตามวัตถุประสงค์การใช้งานของเครื่องมือไฟฟ้าแต่ละชนิด โดยพิจารณาถึงสภาพการทำงานและงานที่ทำเป็นสำคัญ การใช้เครื่องมือไฟฟ้าทำงานอื่นนอกเหนือจากที่กำหนดไว้ อาจทำให้เกิดอันตรายได้

5. การใช้และการดูแลรักษาแบตเตอรี่

ก) ชาร์จแบตเตอรี่ด้วยเครื่องชาร์จที่ผู้ผลิตแนะนำเท่านั้น เครื่องชาร์จที่เหมาะสมกับแบตเตอรี่แบบหนึ่งอาจทำให้เกิดไฟไหม้ได้ ถ่านนำมาใช้กับแบตเตอรี่อีกแบบหนึ่ง

ข) ใช้เครื่องมือไฟฟ้าเฉพาะกับก้อนแบตเตอรี่ที่กำหนดมาโดยเฉพาะเท่านั้น การใช้แบตเตอรี่แบบอื่นอาจทำให้เกิดการบาดเจ็บหรือเกิดไฟไหม้ได้

ค) เมื่อไม่ใช้ชุดแบตเตอรี่ ให้เก็บออกห่างจากวัตถุอื่นๆ ที่เป็นโลหะ เช่น คลิปหนีบกระดาษ เข็มเย็บผ้า เข็ม สกรูหรือวัตถุขนาดเล็กอื่นๆ ที่ทำจากโลหะที่อาจเชื่อมต่อจากขั้วหนึ่งไปอีกขั้วหนึ่ง การสวดวงจรบริเวณขั้วแบตเตอรี่อาจทำให้เกิดรอยไหม้หรือเพลิงไหม้ได้

ง) เมื่ออยู่ภายใต้สภาวะที่ไม่เหมาะสม อาจมีของเหลวไหลออกมาจากแบตเตอรี่ ให้หลีกเลี่ยงการสัมผัสกับของเหลวนี้ หากบังเอิญสัมผัสโดยไม่ตั้งใจ ให้ล้างออกด้วยน้ำปริมาณมาก หากของเหลวกระเด็นเข้าตา ควรรีบไปพบแพทย์ ของเหลวที่ออกมาจากแบตเตอรี่อาจทำให้เกิดอาการระคายเคืองหรือรอยไหม้ได้

6. การบริการ

ก) ในช่างซ่อมที่มีความเชี่ยวชาญเป็นผู้ซ่อมเครื่องมือไฟฟ้า และใช้อะไหล่ของแท้เท่านั้น ซึ่งจะช่วยให้อุ่นใจได้ว่าเครื่องมือไฟฟ้ายังมีความปลอดภัยอยู่

คำเตือนด้านความปลอดภัยของส่วนเจาะกระแทก



คำเตือน! คำเตือนด้านความปลอดภัยสำหรับการใช้ส่วนโรตารีและส่วนเจาะสกัด

- ◆สวมใส่อุปกรณ์ป้องกันเสียงดัง การเผชิญกับเสียงดังมาก อาจทำให้สูญเสียความสามารถในการได้ยิน
- ◆ใช้มือจับเสริมที่นำมาพร้อมๆกับเครื่อง การสูญเสียการควบคุมเครื่องอาจทำให้ได้รับบาดเจ็บได้
- ◆จับเครื่องมือไฟฟ้าที่พื้นผิวส่วนที่ใช้จับซึ่งมีฉนวนป้องกันเมื่อใช้งานเครื่องซึ่งอุปกรณ์เสริมที่ใช้กับงานตัดอาจสัมผัสกับสายไฟที่ซ่อนอยู่ อุปกรณ์เสริมที่ใช้กับงานตัดที่สัมผัสกับสายไฟ "ที่มีไฟฟ้า" อาจทำให้ส่วนของโลหะที่ถูกลิ่มสัมผัส "มีไฟฟ้า" และช็อตผู้ใช้เครื่องได้
- ◆ไม่ใช่อุปกรณ์เสริมสำหรับการสกัดในโหนดเจาะกระแทก เพราะอุปกรณ์เสริมชิ้นนี้จะเข้าไปติดขัดในวัสดุและส่วนเกิดการบิดตัวได้
- ◆ใช้คีมจับหรือวิธีที่ใช้ได้ผลอื่นๆ ในการจับหรือพยุงชิ้นงานบนพื้นที่มั่นคง การใช้มือจับหรือให้ชิ้นงานพังกับลำตัวจะไม่มั่นคงและอาจทำให้สูญเสียการควบคุมได้
- ◆ก่อนเจาะผนัง พื้น หรือเพดาน ให้ตรวจหาตำแหน่งสายไฟและท่อน้ำ

- ◆ หลีกเลี่ยงการสัมผัสปลายนอกส่วนหลังจากเพิ่งจะเสร็จ เนื่องจากดอกส่วนอาจมีความร้อนหลงเหลืออยู่
- ◆ เครื่องมือนี้ไม่ได้มีไว้เพื่อการใช้งานโดยบุคคล (ซึ่งรวมถึงผู้เยาว์) ที่มีความบกพร่องทางร่างกายทางการรับความรู้สึก หรือทางจิตประสาท หรือขาดประสบการณ์และความรู้ เว้นเสียแต่จะได้รับการควบคุมดูแลหรือคำแนะนำการใช้เครื่องมือ โดยผู้ที่รับผิดชอบต่อความปลอดภัยของบุคคลเหล่านั้น เด็กควรได้รับการควบคุมดูแลเพื่อให้แน่ใจว่าเด็กจะไม่เล่นเครื่องมือ
- ◆ วัตถุประสงค์ในการใช้งานได้อธิบายไว้ในคู่มือแนะนำการใช้งานฉบับนี้ การใช้งานอุปกรณ์เสริมหรืออุปกรณ์ต่อพ่วง หรือการใช้งานอื่นใดกับเครื่องมือนี้ นอกเหนือจากที่ได้แนะนำไว้ในคู่มือการใช้งานนี้ อาจทำให้เสี่ยงต่อการบาดเจ็บและ/หรือความเสียหายต่อทรัพย์สินได้
- ◆ ใช้หน้ากากปิดจมูกหรือหน้ากากป้องกันฝุ่นเมื่อใดก็ตามที่การทำงานทำให้เกิดฝุ่นหรือเศษชิ้นงานปลิวว่อน

ความปลอดภัยของบุคคลอื่น

- ◆ เครื่องมือนี้ไม่ได้มีไว้เพื่อการใช้งานโดยบุคคล (ซึ่งรวมถึงผู้เยาว์) ที่มีความสามารถทางกายภาพความสามารถทางการรับรู้ หรือความสามารถทางสมองบกพร่อง หรือบุคคลซึ่งขาดประสบการณ์และความรู้ เว้นเสียแต่จะได้รับการควบคุมดูแลหรือคำแนะนำการใช้งานเครื่องมือจากผู้รับผิดชอบความปลอดภัยของบุคคลเหล่านั้น
- ◆ เด็กควรได้รับการควบคุมดูแลเพื่อให้แน่ใจว่าเด็กจะไม่เล่นเครื่องมือ

ความเสี่ยงอื่นๆ ที่ยังมีอยู่

ความเสี่ยงอื่นๆ ที่ไม่ได้ระบุในคำเตือนเพื่อความปลอดภัยนี้ อาจเกิดขึ้นได้เมื่อใช้เครื่องมือ ความเสี่ยงเหล่านี้อาจเกิดขึ้นจากการใช้อย่างไม่ถูกต้อง การใช้เป็นเวลานาน เป็นต้น

แม้ว่าจะปฏิบัติตามข้อกำหนดด้านความปลอดภัยที่เกี่ยวข้องและใช้อุปกรณ์เสริม แต่ความเสี่ยงที่เหลืออยู่บางอย่างก็ไม่สามารถหลีกเลี่ยงได้ ความเสี่ยงเหล่านั้นได้แก่:

- ◆ การบาดเจ็บที่เกิดจากการสัมผัสชิ้นส่วนที่หมุน/เคลื่อนที่
- ◆ การบาดเจ็บที่เกิดขึ้นขณะเปลี่ยนชิ้นส่วน ใบมีด หรืออุปกรณ์เสริม
- ◆ การบาดเจ็บที่เกิดจากการใช้เครื่องมือเป็นเวลานาน เมื่อใช้เครื่องมือเป็นระยะเวลานาน ต้องแน่ใจว่าคุณได้หยุดพักเป็นระยะ

- ◆ ความบกพร่องในการได้ยินเสียง
- ◆ อันตรายต่อสุขภาพที่เกิดจากการสูดดมฝุ่นจากการใช้เครื่องมือ (ตัวอย่างเช่น การทำงานกับไม้ โดยเฉพาะไม้ไผ่ ไม้ชิงชัน และไม้ MDF)

ป้ายสัญลักษณ์บนเครื่องมือ

สัญลักษณ์ต่อไปนี้ปรากฏบนเครื่องมือพร้อมทั้งรหัสวันที่:

	คำเตือน! เพื่อลดความเสี่ยงต่อการบาดเจ็บ ผู้ใช้ต้องอ่านคู่มือการใช้งานเล่มนี้ก่อนใช้เครื่อง		
	สวมอุปกรณ์ป้องกันเสียงดัง		
	สวมแว่นตานิรภัยหรือแว่นครอบตา		
V	โวลต์	===	ไฟกระแสดตรง
A	แอมแปร์	n ₀	ความเร็วขณะไม่มีโหลด
Hz	เฮิร์ตซ์		โครงสร้างคลาส II
W	วัตต์		สายดิน
min	นาที		สัญลักษณ์เตือนความปลอดภัย
	ไฟกระแสสลับ	/นาที	รอบการหมุนหรือรอบการทำงานต่อนาที

ตำแหน่งของรหัสวันที่ (รูป C)

รหัสวันที่ (19) ซึ่งรวมถึงปีที่ผลิต จะพิมพ์อยู่บนตัวเครื่อง

ตัวอย่างเช่น:

2018 XX 58

ปีที่ผลิต

คำแนะนำเพื่อความปลอดภัยเพิ่มเติมสำหรับแบตเตอรี่และเครื่องชาร์จ

แบตเตอรี่

- ◆ ห้ามพยายามแกะตัวแบตเตอรี่ในทุกกรณี
- ◆ ห้ามให้แบตเตอรี่สัมผัสน้ำ
- ◆ ห้ามเก็บแบตเตอรี่ในสถานที่อุณหภูมิอาจสูงเกิน 40 °C

- ◆ ชาร์จแบตเตอรี่ที่อุณหภูมิห้องระหว่าง 10 °C ถึง 40 °C เท่านั้น
- ◆ ชาร์จแบตเตอรี่ด้วยเครื่องชาร์จที่ให้มาพร้อมอุปกรณ์เท่านั้น
- ◆ เมื่อจetingแบตเตอรี่ ให้ทำตามคำแนะนำในส่วน "การปกป้องสิ่งแวดล้อม"



อย่าพยายามชาร์จแบตเตอรี่ที่ชำรุดเสียหาย

เครื่องชาร์จ

- ◆ ใช้เครื่องชาร์จ Stanley เพื่อชาร์จแบตเตอรี่ในอุปกรณ์ที่ให้มาพร้อมกันเท่านั้น การชาร์จแบตเตอรี่ชนิดอื่นๆ อาจทำให้แบตเตอรี่ระเบิดก่อให้เกิดการบาดเจ็บและความเสียหายได้
- ◆ ห้ามชาร์จแบตเตอรี่ชนิดชาร์จซ้ำไม่ได้
- ◆ เปลี่ยนสายไฟที่ชำรุดทันที
- ◆ ห้ามให้เครื่องชาร์จสัมผัสน้ำ
- ◆ ห้ามแกะเปิดเครื่องชาร์จ
- ◆ ห้ามใช้สิ่งใดหย�เข้าไปในตัวเครื่องชาร์จ



เครื่องชาร์จนี้มีวัตถุประสงค์เพื่อการใช้งานในที่ร่มเท่านั้น



โปรดอ่านคู่มือการใช้งานก่อนใช้เครื่อง

ความปลอดภัยเกี่ยวกับไฟฟ้า



เครื่องชาร์จนี้มีฉนวนสองชั้น ดังนั้นจึงไม่จำเป็นต้องต่อสายดิน ต้องตรวจสอบกำลังไฟเพื่อให้ตรงกับแรงดันไฟฟ้าบนแผ่นแสดงพิกัดเสมอ ห้ามเปลี่ยนสายปลั๊กไฟของเครื่องชาร์จเป็นสายปลั๊กไฟธรรมดาโดยเด็ดขาด

- ◆ ถ้าสายไฟชำรุดเสียหาย ต้องเปลี่ยนโดยผู้ผลิตหรือศูนย์บริการของ Stanley ที่ได้รับอนุญาตเพื่อหลีกเลี่ยงอันตรายที่อาจเกิดขึ้นได้

ภายในบรรจุภัณฑ์ประกอบด้วย

ส่วนเจาะกระแทก BL	1 เครื่อง
แบตเตอรี่ลิเทียม 4 แอมป์	2 ก้อน
เครื่องชาร์จ 2 แอมป์	1 เครื่อง
คู่มือการใช้งาน	1 เล่ม
ใบรับประกัน	1 ใบ
รายชื่อศูนย์บริการ	1 ชุด
กล่องเครื่องมือ	1 กล่อง

- ◆ โปรดตรวจหาร่องรอยความเสียหายของเครื่องมือชิ้นส่วน หรืออุปกรณ์เสริม ที่อาจเกิดขึ้นในระหว่างการขนส่ง
- ◆ โปรดอ่านและทำความเข้าใจคู่มือเล่มนี้ก่อนการใช้งาน

ส่วนประกอบสำคัญ (รูป C)

เครื่องมือนี้มีส่วนประกอบสำคัญบางอย่างหรือทั้งหมดดังต่อไปนี้

1. สวิตช์เปิด/ปิด
2. ปุ่มตัวเลือก เดินหน้า/ถอยหลัง
3. ปุ่มตัวเลือกโหมด
4. ก้านปรับระยะการเจาะ
5. หัวจับดอก
6. มีดฉลิมด้านข้าง
7. แบตเตอรี่
20. ไฟ LED ส่องงาน
21. ตัวบอกระดับประจแบตเตอรี่

การประกอบ

การใช้งาน

คำเตือน! ปล่อยให้เครื่องมือทำงานตามความเร็วของเครื่อง ห้ามใช้งานเกินกำลัง

การชาร์จแบตเตอรี่ (รูป A)

แบตเตอรี่ต้องการการชาร์จไฟก่อนการใช้งานครั้งแรก และทุกครั้งเมื่อแบตเตอรี่ไม่สามารถจ่ายพลังงานได้เพียงพอสำหรับงานที่เคยทำได้โดยง่าย แบตเตอรี่อาจอุ่นขึ้นระหว่างการชาร์จ ซึ่งถือเป็นเรื่องปกติและไม่ใช่ตัวบ่งชี้ว่าการผิดปกติ

คำเตือน! ห้ามชาร์จแบตเตอรี่ในอุณหภูมิห้องที่ต่ำกว่า 10 °C หรือสูงกว่า 40 °C อุณหภูมิการชาร์จที่แนะนำ: ประมาณ 24 °C

หมายเหตุ: เครื่องชาร์จจะไม่ชาร์จแบตเตอรี่หากอุณหภูมิของแบตเตอรี่ต่ำกว่าประมาณ 10 °C หรือสูงกว่า 40 °C

ให้ทิ้งแบตเตอรี่ไว้ในเครื่องชาร์จ แล้วเครื่องชาร์จจะเริ่มชาร์จไฟเองโดยอัตโนมัติเมื่ออุณหภูมิของแบตเตอรี่อุ่นขึ้นหรือเย็นลง

- ◆ หากต้องการชาร์จแบตเตอรี่ ให้ใส่แบตเตอรี่ (7) เข้ากับเครื่องชาร์จ (9) แบตเตอรี่สามารถประกอบเข้ากับเครื่องชาร์จได้เพียงวิธีเดียว
- ◆ เสียบปลั๊กเครื่องชาร์จ (9) เข้ากับแหล่งจ่ายไฟที่เหมาะสมและเปิดสวิตช์ชาร์จ
- ◆ ชาร์จแบตเตอรี่ที่ไม่มีประจุภายใน 1 สัปดาห์อายุการใช้งานแบตเตอรี่จะลดลงอย่างรวดเร็ว หากเก็บรักษาไว้ในสภาพไม่มีประจุ

การติดตั้งและการถอดแบตเตอรี่ (รูป B)

- ◆ เมื่อจะประกอบแบตเตอรี่ ให้จัดตำแหน่งแบตเตอรี่ให้ตรงกับเบ้ารับของเครื่องมือ (11) จากนั้นเลื่อนแบตเตอรี่เข้าไปในเบ้ารับจนกระทั่งแบตเตอรี่ล็อกเข้าที่
- ◆ หากต้องการถอดแบตเตอรี่ ดันปุ่มปลดล็อก (12) และถอดแบตเตอรี่ออกจากฐานรองรับ

การติดตั้งมือจับเสริมด้านข้าง (รูป C)

- ◆ หมุนกริปทวนเข็มนาฬิกาจนกระทั่งสามารถเลื่อนมือจับเสริมด้านข้าง (6) เข้าที่ด้านหน้าของเครื่องมือ (ดูภาพประกอบ)
- ◆ หมุนมือจับเสริมด้านข้างเข้าไปยังตำแหน่งที่ต้องการ
- ◆ ขันมือจับเสริมด้านข้างให้แน่นโดยหมุนกริปตามเข็มนาฬิกา

การติดตั้งและตั้งค่าก้านปรับระยะการเจาะ (รูป C)

- ◆ กดปุ่ม (8)
- ◆ เสียบอุปกรณ์ก้านปรับระยะการเจาะ (4) ลงในรูติดตั้งตามภาพ
- ◆ ตั้งก้านปรับระยะการเจาะ (4) ไปยังค่าที่ต้องการ ระยะการเจาะลึกสุดคือระยะห่างระหว่างปลายดอกสว่านจนถึงด้านหน้าของก้านปรับระยะการเจาะ
- ◆ ปล่อยปุ่ม (8)

การติดตั้งอุปกรณ์เสริม (รูป D - E)

- ◆ ทำความสะอาดและหล่อลื่นก้าน (13) ของอุปกรณ์เสริม
- ◆ ดึงปลอก (14) เข้ามา และใส่ก้านสำหรับการเจาะในหัวจับดอก (5)
- ◆ กดอุปกรณ์เสริมลง ค่อยๆ หมุนอุปกรณ์เสริมจนกระทั่งเข้าพอดีในช่อง
- ◆ ลองดึงอุปกรณ์เสริมออกเพื่อตรวจสอบว่าอุปกรณ์เสริมล็อกอยู่ในตำแหน่งถูกต้องแล้ว สำหรับคุณสมบัติการเจาะดอก อุปกรณ์เสริมจะต้องเคลื่อนตามแนวแกนได้หลายเซนติเมตรเมื่อล็อกอยู่ในตัวจับอุปกรณ์
- ◆ เมื่อต้องการถอดอุปกรณ์เสริมออก ให้ดึงปลอกล็อก (14) เข้ามา และดึงอุปกรณ์เสริมออก

ตัวจับดอกสว่านแบบไข้กัญแจ (รูป F)

(เป็นอุปกรณ์เสริม ไม่ได้รวมอยู่ในกล่องเครื่องมือ)

- ◆ คลายตัวจับดอกสว่านโดยการหมุนปลอก (15) ทวนเข็มนาฬิกา
- ◆ สอดแกนดอกสว่าน (17) เข้าไปในตัวจับดอกสว่าน
- ◆ สอดกัญแจขันตัวจับดอกสว่าน (18) (เป็นอุปกรณ์เสริม ไม่ได้รวมอยู่ในกล่องเครื่องมือ) เข้าไปในรู (16) ด้านข้างตัวจับดอกสว่านแล้วหมุนตามเข็มนาฬิกาจนแน่น

คำเตือน! ก่อนเจาะผนัง พื้น หรือเพดาน ให้ตรวจสอบตำแหน่งสายไฟและท่อน้ำ

คำเตือน! ไม่ใช้ดอกสกัดเมื่อเครื่องมืออยู่ในโหมดการเจาะ

การเปิดและปิดสวิตช์ (รูป G)

- ◆ หากต้องการเปิดเครื่อง กดสวิตช์เปิด/ปิด (1)
- ◆ หากต้องการปิดเครื่อง ปล่อยให้สวิตช์เปิด/ปิด

การเดินหน้า/ถอยหลัง (รูป H)


- ◆ เลื่อนปุ่มตัวเลือก (2) เพื่อกำหนดทิศทางที่คุณต้องการ

การเลือกโหมดการทำงาน (รูป I)

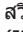
เครื่องมือสามารถใช้ในโหมดการทำงานได้สามโหมด

- ◆ หากต้องการใช้งานปุ่มตัวเลือกโหมดการทำงาน (3) ให้ดันปุ่มปลดล็อก (22) และหมุนปุ่มตัวเลือกไปยังตำแหน่งที่ต้องการ ตามที่มีสัญลักษณ์แสดงไว้

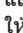
การเจาะ

- ◆ เมื่อเจาะเหล็ก ไม้ และพลาสติก และสำหรับการขันสกรู ให้ปรับสวิตช์เลือกโหมดการทำงาน (3) ไปที่  ตำแหน่ง (I1)

การเจาะกระแทก

- ◆ สำหรับการเจาะกระแทกปูนและคอนกรีต ให้ปรับสวิตช์เลือกโหมดการเจาะ (3) ไปที่  ตำแหน่ง (I2) เมื่อทำการเจาะ เครื่องมือไม่ควรกระเด็นและควรทำงานอย่างราบรื่น หากจำเป็นให้เพิ่มความเร็ว

การสกัด

- ◆ สำหรับการเจาะกระแทกด้วยตัวล็อกแกนหมุน และสำหรับการสกัดและการถากในงานที่ไม่หนัก ให้ตั้งค่าปุ่มตัวเลือกโหมดการทำงาน (3) ไปที่  ตำแหน่ง (I3)

- ◆ เมื่อต้องการเปลี่ยนโหมดการเจาะเป็นการสกัดให้หมุนดอกสกัดไปยังตำแหน่งที่ต้องการ หากรู้สึกว่ามีแรงต้านในระหว่างการเปลี่ยนโหมดการทำงาน ให้ค่อยๆ หมุนดอกสกัดให้เข้ากับตัวล็อกแกนหมุน

ไฟ LED ส่องงาน

เมื่อเครื่องมือทำงานโดยการกดสวิตช์ (1) ไฟ LED ส่องงาน (20) ที่มีอยู่จะส่องสว่างพื้นที่ทำงานโดยอัตโนมัติ หมายเหตุ: ไฟส่องงานใช้สำหรับส่องบริเวณที่ทำงานเบื้องหน้าเท่านั้น ไม่ใช่สำหรับใช้เป็นไฟฉาย

ตัวบอกระดับประจุแบตเตอรี่ (รูป J)

เครื่องมือนี้มีตัวบอกระดับประจุแบตเตอรี่ (21) ซึ่งสามารถใช้แสดงระดับประจุของแบตเตอรี่ในปัจจุบัน ขณะกำลังใช้งาน ไม่ได้ระบุฟังก์ชันการทำงานของเครื่องมือ และอาจมีการเปลี่ยนแปลงขึ้นอยู่กับส่วนประกอบของผลิตภัณฑ์ อุณหภูมิ และการใช้งานของผู้ใช้

การตรวจสอบประจุแบตเตอรี่ขณะใช้งาน:

- ◆ กดปุ่มตัวบอกระดับประจุแบตเตอรี่ (J1)
- ◆ ไฟ LED สามดวง (J2) จะส่องสว่างเพื่อแสดงเปอร์เซ็นต์ของประจุในแบตเตอรี่ (รูป J)
- ◆ ถ้าไฟ LED ไม่ส่องสว่าง ให้ชาร์จแบตเตอรี่

หมายเหตุ: แบตเตอรี่นี้ได้รับการออกแบบให้ไม่ทำงานหากมีประจุไม่ถึง 20% ของความจุ หลังจากที่แบตเตอรี่ปราศจากประจุ เครื่องมือจะไม่ทำงานจนกว่าแบตเตอรี่จะได้รับการชาร์จใหม่

การบำรุงรักษา

เครื่องมือแบบมีสาย/ไร้สายของ Stanley ได้รับการออกแบบมาเพื่อให้สามารถใช้งานได้อย่างยาวนานต่อเนื่องโดยมีการบำรุงรักษาน้อยที่สุด การทำงานที่สร้างความพึงพอใจอย่างต่อเนื่องจะขึ้นอยู่กับการดูแลรักษาเครื่องมืออย่างเหมาะสมและการทำความสะอาดอย่างสม่ำเสมอ

คำเตือน! ก่อนทำการบำรุงรักษาเครื่องมือไฟฟ้าแบบมีสาย/ไร้สาย จะต้อง:

- ◆ ปิดสวิตช์และถอดปลั๊กอุปกรณ์/เครื่องมือ
- ◆ ทำความสะอาดช่องระบายอากาศในอุปกรณ์/เครื่องมือ/เครื่องชาร์จของคุณเป็นประจำโดยใช้แปรงขนอ่อนหรือผ้าแห้ง
- ◆ ทำความสะอาดโครงมอเตอร์เป็นประจำโดยใช้ผ้าชุบน้ำหมาดๆ ห้ามใช้น้ำยาทำความสะอาดที่มีฤทธิ์กัดกร่อนหรือมีส่วนผสมของตัวทำละลาย
- ◆ เปิดตัวจับดอกสว่านออกมาเคาะเป็นประจำเพื่อกำจัดฝุ่นที่ติดอยู่ในตัวจับ (ในขณะที่ติดตั้ง)

อุปกรณ์เสริม

สมรรถนะของเครื่องมือของคุณขึ้นอยู่กับอุปกรณ์เสริมที่ใช้ อุปกรณ์เสริมของ Stanley ได้รับการออกแบบทางวิศวกรรมให้มีมาตรฐานคุณภาพสูง และเพิ่มสมรรถนะของเครื่องมือของคุณ เมื่อใช้อุปกรณ์เสริมเหล่านี้ คุณจะสามารถใช้เครื่องมือของคุณได้อย่างมีประสิทธิภาพสูงสุด

การปกป้องสิ่งแวดล้อม



การเก็บรวบรวมแบบคัดแยก ห้ามทิ้งผลิตภัณฑ์นี้ร่วมกับขยะในครัวเรือนปกติ

เมื่อคุณเห็นว่าจำเป็นต้องเปลี่ยนผลิตภัณฑ์ Stanley ของคุณ หรือเครื่องมือนี้ไม่เป็นประโยชน์สำหรับคุณอีกต่อไป อย่างทั้งผลิตภัณฑ์นี้ร่วมกับขยะในครัวเรือน โปรดคัดแยกเพื่อนำไปรีไซเคิลแยกประเภท

การเก็บรวบรวมแบบคัดแยกสำหรับบรรจุภัณฑ์และผลิตภัณฑ์ที่ใช้แล้วทำให้สามารถรีไซเคิลวัสดุและนำมาใช้งานอีกครั้ง การนำวัสดุรีไซเคิลมาใช้อีกครั้งจะช่วยป้องกันมลพิษต่อสิ่งแวดล้อมและลดความต้องการวัตถุดิบ

รัฐบาลในบางประเทศอาจกำหนดให้มีศูนย์กำจัดของเสียของเทศบาลหรือท้องถิ่น หรือร้านค้าปลีกสำหรับผลิตภัณฑ์ใหม่ที่ใช้บริการรีไซเคิลผลิตภัณฑ์อิเล็กทรอนิกส์กับบ้านเรือนต่างๆ

หมายเหตุ

เนื่องจาก STANLEY มีนโยบายพัฒนาปรับปรุงผลิตภัณฑ์อย่างต่อเนื่อง ดังนั้นเราจึงขอสงวนสิทธิ์ในการเปลี่ยนแปลงข้อมูลจำเพาะของผลิตภัณฑ์โดยไม่แจ้งให้ทราบล่วงหน้า อุปกรณ์มาตรฐานและอุปกรณ์เสริมอาจแตกต่างกันในแต่ละประเทศ

ข้อมูลจำเพาะของผลิตภัณฑ์อาจแตกต่างกันในแต่ละประเทศ

ตัวเลือกผลิตภัณฑ์อาจมีจำหน่ายไม่ครบทุกรายการในบางประเทศ โปรดสอบถามตัวเลือกผลิตภัณฑ์จากตัวแทนจำหน่ายของ STANLEY ในประเทศของคุณ

ข้อมูลด้านเทคนิค

SBR20

แรงดันไฟเข้า	โวลต์ _{DC}	18
ความเร็วขดเไม่มี โหลด	รอบ/นาที	0 - 2200
อัตรากระแส	รอบ/นาที	0 - 5775
น้ำหนัก	กก.	2.80

ความสามารถในการเจาะสูงสุด

คอนกรีต	มม.	20
เหล็ก	มม.	13
ไม้	มม.	30

แบตเตอรี่		SCB20D	SCB20M	STBL184L
แรงดันไฟฟ้า	โวลต์ _{DC}	18	18	18
ความจุ	แอมป์- ชั่วโมง	2.0	4.0	4.0
ชนิด		Li-Ion	Li-Ion	Li-Ion

เครื่องชาร์จ		SC201	SC202
แรงดันไฟเข้า	โวลต์ _{AC}	230	230
แรงดันไฟออก	โวลต์ _{DC}	18	18
กระแสไฟฟ้า	แอมป์	1.0	2.0

