



MPF970501
MPF972501
Instruction Manual



WARNING

To reduce the risk of injury, read and understand these safety warnings and instructions before using the tool. Keep these instructions with the tool for future reference. If you have any questions, contact your **MAC TOOLS** representative or distributor.

© 2018 Mac Tools

1/2" Aluminum Impact Wrench
1/2" Aluminum Impact Wrench 2" Extended Anvil

TABLE OF CONTENTS

Introduction	2
Safety Instructions	3 - 7
Maintenance	8
Specifications	9
Tool Components	10 - 11
Contact Information	12

INTRODUCTION

The **Mac Tools™ MPF970501 and MPF972501 Impact Wrenches** are precision-built tools, designed for driving, tightening and loosening threaded fasteners, usually nuts and bolts, when fitted with a suitable impact socket. These tools will deliver efficient, dependable service when used correctly and with care. As with any fine power tool, for best performance the manufacturer's instructions must be followed. Please study this manual before operating the tool and understand the safety warnings and instructions. The instructions on installation, operation and maintenance should be read carefully, and the manual kept for reference. NOTE: Additional safety measures may be required because of your particular application of the tool. Contact your **Mac Tools** representative or distributor with any questions concerning the tool and its use.

MACTOOLS.COM | Mac Tools • 505 North Cleveland Avenue • Westerville, Ohio 43082 | 800.MACTOOLS

Mac Tools-Europe, Stanley Black & Decker Inc. • Unit 3, Europa Court
Sheffield Business Park • Sheffield, S9 1XE | 0114 2917266

WARNING

IMPORTANT SAFETY INFORMATION ENCLOSED.
READ THIS MANUAL BEFORE OPERATING THE TOOL.
SAVE FOR FUTURE REFERENCE

FAILURE TO OBSERVE THE FOLLOWING WARNINGS COULD RESULT IN INJURY.



Do not use damaged, frayed or deteriorated air hoses and fittings.



Air powered tools can vibrate in use. Vibration, repetitive motions or uncomfortable positions may be harmful to your hands and arms. Stop using any tool if discomfort, tingling feeling or pain occurs. Seek medical advice before resuming use.



Do not carry the tool by the hose.



Keep body stance balanced and firm. Do not overreach when operating this tool. Do not use tool under the influence of drugs, alcohol, medication, or if you are tired.



Always turn off the air supply and disconnect the air supply hose before installing, removing or adjusting any accessory on this tool, or before performing any maintenance on this tool.



Use protective equipment such as glasses, gloves, safety shoes, as well as acoustic protection. Remain vigilant, use common sense and pay attention when using the tool.



Always wear ANSI Z87.1 CAN CSA Z94.3 eye protection or for Europe, suitable CE marked eye protection when operating or performing maintenance on this tool.



Always wear suitable respiratory protection when operating this tool.



Operate at 90 psig (6.2 bar / 620 kPa) Maximum air pressure.



Do not over-oil and do not use heavy grade oil as stalling and low performance may result.

GENERAL SAFETY INSTRUCTIONS

WARNING

WARNING! Read all safety warnings and all instructions. Failure to follow the warning and instructions may result in electric shock, fire and or serious injury.

Wear personal protective equipment. Depending on application, use face shield, safety goggles or safety glasses. As appropriate, wear dust mask, hearing protectors, gloves and workshop apron capable of stopping small abrasive or workpiece fragments.

The eye protection must be capable of stopping flying debris generated by various operations. The dust mask or respirator must be capable of filtering particles generated by your operation. Prolonged exposure to high intensity noise may cause hearing loss. Everyday eyeglasses are NOT safety glasses. Also use face or dust mask if cutting operation is dusty. ALWAYS WEAR CERTIFIED SAFETY EQUIPMENT:

- ANSI Z87.1 eye protection (CAN/CSA Z94.3)
- ANSI S12.6 (S3.19) hearing protection
- NIOSH/OSHA/MSHA respiratory protection

1) WORK AREA SAFETY

- Keep work area clean and well lit. Cluttered or dark areas invite accidents. Be aware of your surroundings, slippery surfaces caused by the use of this tool and also of trip hazards caused by air lines.
- Do not operate power tools in explosive atmospheres, such as in the presence of flammable liquids, gases or dust. Power tools create sparks which may ignite the dust or fumes.
- Do not use in wet conditions.
- Keep children and bystanders away while operating a power tool. Distractions can cause you to lose control.

2) PERSONAL SAFETY

- Stay alert, watch what you are doing and use common sense when operating a power tool. Do not use a power tool while you are tired or under the influence of drugs, alcohol or medication. A moment of inattention while operating power tools may result in serious personal injury.
- Prevent unintentional starting. Ensure the trigger is in the off position before connecting to air source, picking up or carrying the tool. Carrying power tools with your finger on the switch or energizing power tools that have the switch on invites accidents.
- Exposure to high noise levels can cause permanent, disabling hearing loss and other problems, such as tinnitus (ringing, buzzing, whistling, or humming in the ears). Therefore, a risk assessment and the implementation of appropriate controls for these hazards are essential. Appropriate controls to reduce the risk may include actions such as damping materials to prevent workpieces from ringing.
- Dress properly. Do not wear loose clothing or jewelry. Keep your hair, clothing and gloves away from moving parts. Loose clothes, rubber-coated or metal reinforced gloves, gloves with cut or frayed fingers, jewelry or long hair can be caught in moving parts.
- Keep hands and other body parts, loose clothing and long hair away from the moving end of tool.
- Anticipate and be alert for sudden changes in motion during start up and operation of any power tool.
- Operators and maintenance personnel must be physically able to handle the bulk, mass and power of the tool.
- Keep body stance balanced and firm. Do not overreach when operating this tool.
- Do not operate this tool for long periods of time. Vibration caused by tool action may be harmful to your hands and arms. Hold the tool with a light but safe grip, taking account of the required hand reaction forces. Stop using any tool if discomfort, tingling feeling or pain occurs. Seek medical advice before resuming use.
- This tool is not insulated against electric shock, contact with a live wire will make exposed metal parts live.
- For USA: Some dust created by power sanding, sawing, grinding, drilling, chipping and other construction activities contains chemicals known to the State of California to cause cancer, birth defects or other reproductive harm. Some examples of these chemicals are:
 - lead from lead-based paints,
 - crystalline silica from bricks and cement and other masonry products, and
 - arsenic and chromium from chemically-treated lumber.

Your risk from these exposures varies, depending on how often you do this type of work. To reduce your exposure to these chemicals: work in a well ventilated area, and work with approved safety equipment, such as those dust masks that are specially designed to filter out microscopic particles.

- Due to dust generated while using tool, a risk assessment and the implementation of appropriate controls for these hazards are essential.
- Accessories and tools can get hot during operation. Wear gloves when handling them. Ensure the tool is off when changing accessories.
- Keep bystanders a safe distance away from work area. Anyone entering the work area must wear personal protective equipment. Fragments of workpiece or of a broken accessory may fly away and cause injury beyond immediate area of operation.
- Never direct air at yourself or anyone else, or serious personal injury may result.
- Wear warm clothing whenever working in cold conditions and keep your hands warm and dry.
- Whipping hoses can cause severe injury. Always check for damaged or loose hoses and fittings.

- Avoid prolonged contact with dust from power sanding, sawing, grinding, drilling, chipping and other construction activities. Wear protective clothing and wash exposed areas with soap and water. Allowing dust to get into your mouth, eyes, or lay on the skin may promote absorption of harmful chemicals.
- Use of this tool can generate and/or disperse dust, which may cause serious and permanent respiratory or other injury. Always use NIOSH/OSHA suitable approved respiratory protection appropriate for the dust exposure and suitable extraction systems. Direct particles away from face and body.
- Store idle power tools out of the reach of children and do not allow persons unfamiliar with the power tool or these instructions to operate the power tool. Power tools are dangerous in the hands of untrained users.
- This product may contain one or more chemicals known to the State of California to cause cancer and birth defects or other reproductive harm. Wash hands thoroughly after handling.
- Do not let children come in contact with this tool. Supervision is required when inexperienced operators use this tool.
- Do not modify this tool. Modifications can reduce the effectiveness of safety measures and increase the risks to the operator.
- Do not discard the safety instructions; give them to the operator.
- Do not use the tool if it has been damaged.
- Be aware that the failure of the workpiece or accessories, or even of the tool itself, can generate high-velocity projectiles.
- This product is not intended for use by persons (including children) suffering from diminished physical, sensory or mental abilities; lack of experience, knowledge or skills unless they are supervised by person responsible for their safety. Children should never be left alone with this product. This tool and its accessories must be used in compliance with these instructions. Using it for any other purpose may cause a risk of danger for people and the environment.
- Only qualified and trained operators should install, adjust or use the tool.
- For overhead work, wear a safety helmet.
- Direct the exhaust so as to minimize disturbance of dust in a dust-filled environment. Do not direct exhaust air towards hands.
- Where dust or fumes are created, the priority shall be to control them at the point of emission.
- All integral features or accessories for the collection, extraction or suppression of airborne dust or fumes should be correctly used and maintained in accordance with the manufacturer's instructions.
- Always operate, inspect and maintain this tool in accordance with American National Standards Institute Safety Code for Portable Air Tools (ANSI B186.1) and any other applicable safety codes and regulations.
- Do not free run tool with socket installed on tool.

3) ADDITIONAL SPECIFIC SAFETY RULES FOR IMPACT WRENCHES

WARNING

- Use only impact rated accessory sockets and extensions recommended by Mac Tools. Inspect accessories before use. Do not use cracked or damaged accessories. Do not use chrome sockets, hand sockets or any other accessories not rated for impact use.
- The tool's power is controlled by the pressure exerted on the trigger, firmly grip the tool and squeeze the trigger to operate.
- Do not use sockets with excessive wear to the input or output drives. Periodically check the square drive on the impact wrench. Make sure the socket, extension bar, or other attachment is securely fitted before operating tool.
- When loosening fasteners first ensure that there is sufficient clearance behind the tool to avoid hand entrapment. The tool will move away from the threaded joint as the nut/bolt is loosened and rides up the thread, moving the tool with it. Make sure hands are kept away from the sockets during tool use.
- Securely fit the socket or attachment to the impact wrench. Inspect anvil and retaining ring of tool prior to use. Missing or damaged items should be replaced before use.
- Ensure that the forward/reverse switch is in the correct position for tightening or loosening the fastener.
- The nut/bolt can then run down the thread using the power drive of the tool. For loosening a joint the tool can be used in the reverse sequence.
- Recommended to use a hardened steel (or material with comparable shock resistance) threaded hose fitting (Fig 5).

4) POWER TOOL USE AND CARE

- Before running the tool, check that there is no dangerous interaction with the immediate environment (explosive gas, flammable or dangerous liquid, unknown piping, electric sheathing or cable, etc).
- Before connecting the tool to the air inlet, check the trigger is not blocked in the on position by an obstacle.
- In the event of blockage, release the trigger and disconnect the tool from the compressed air network.
- Ensure that the unit on which work is being carried out is immobilized.
- Always operate, inspect and maintain this tool in accordance with all regulations (local, state, federal and country), that may apply to hand held/hand operated pneumatic tool.
- For safety, top performance, and maximum durability of parts, operate this tool at 90 psig. (6.2 bar / 620 kPa) maximum air pressure at the inlet with 3/8" (10mm) inside diameter air supply hose.
- Always use clean, dry air. Dust, corrosive fumes and/or excessive moisture can ruin the motor of an air tool.
- Exceeding the maximum pressure of 90 psig (6.2 bar / 620 kPa) will lead to the risk of danger such as excessive speed, tool wear, breaking parts, higher torque or force that may destroy the tool and its accessories or the part being worked on.
- Maintain power tools. Check for misalignment or binding of moving parts, breakage of parts and any other condition that may affect the power tool's operation. If damaged, have the power tool repaired before use. Many accidents are caused by poorly maintained power tools.
- Use rated accessories recommended by Mac Tools only. Inspect accessories before use. Do not use cracked or damaged accessories. Just because the accessory can be attached to your power tool, it does not assure safe operation.
- Use the power tool, accessories and tool bits, etc. in accordance with these instructions, taking into account the working conditions and the work to be performed. Use of the power tool for operations different from those intended could result in a hazardous situation.
- Ensure that sparks and debris resulting from use do not create a hazard.
- The pneumatic tool must be fitted and connected to the compressed air network via quick disconnects to facilitate shutdown in the event of danger.
- When the life of the tool has expired, it is recommended that the tool be disassembled, degreased and parts be separated by material so that they can be recycled.
- Always turn off the air supply and disconnect the air supply hose before installing, removing or adjusting any accessory on this tool, or before performing any maintenance on this tool.
- Do not use damaged, frayed or deteriorated air hoses and fittings. Do not abuse hoses or connectors.
- Do not lubricate tools with flammable or volatile liquids such as kerosene, diesel or jet fuel.
- Do not remove any labels. Periodically inspect labels to ensure all marking are still legible. Replace any damaged label.
- Do not use the tool if the trigger does not turn the tool on or off.
- Do not lock, tape or wire the "on/off" trigger in the "on" position, as this trigger must be free to return to the "off" position when released.
- Be sure all hoses and fittings are the correct size and are tightly secured.
- The use of a hose whip is recommended. A coupler connected directly to the air inlet increases tool bulk and decreases tool maneuverability.
- For maximum performance, the coupler on the wall should be the next size larger than the coupler used on the tool. The coupler closest to the tool should not be less than the proper air supply hose size.
- Use clamps or another practical way to secure and support the workpiece to a stable platform. Holding the work by hand or against the body is unstable and can lead to loss of control.
- When not in use, disconnect tool from air supply to prevent accidental or unauthorized use in the absence of the operator.
- Do not alter any part/component/accessory of this tool in any way.
- Mesh air strainer at air inlet occasionally becomes clogged with debris, blocking air supply, and decreasing the tool's performance. If this occurs the mesh air strainer needs to be cleaned.
- Store idle power tools out of the reach of children and do not allow persons unfamiliar with the power tool or these instructions to operate the power tool. Power tools are dangerous in the hands of untrained users.
- Place the tool on the bolt or nut before starting the tool. Do not point or indulge in any horseplay with this tool.

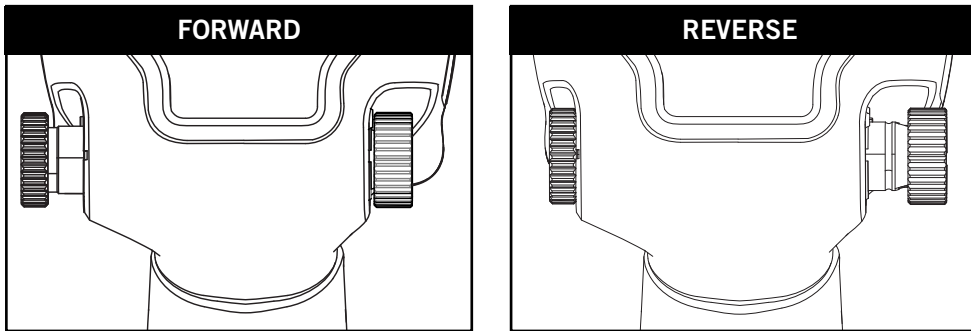
VARIABLE SPEED TRIGGER

To turn the tool on, squeeze the trigger. To turn the tool off, release the trigger. The more you squeeze the trigger, the faster the tool will operate.

FORWARD/REVERSE AND SPEED CONTROL KNOB

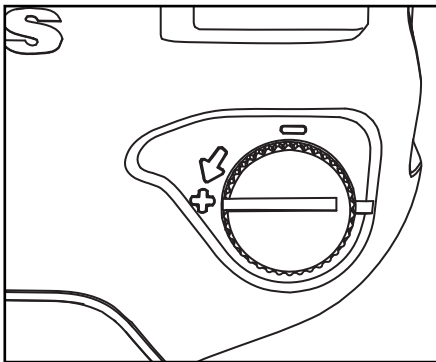
The forward/reverse and speed control knob (Fig. 1) determines the direction of the tool and also serves as the variable speed control. To select forward rotation, depress the side button on the right side of the tool as shown. To select reverse, depress the side button on the left side of the tool as shown.

Fig. 1



Forward rotation can be adjusted for variable speed by turning the button from low to high as shown. For maximum forward torque (Fig. 2), turn knob until the indicator line matches with '+' symbol. For low forward torque turn knob until the indicator line matches '-' symbol.

Fig. 2



5) SERVICE

- Tool service must be performed by qualified repair personnel, using only Mac Tools authorized, identical replacement parts. Use only lubricants recommended by Mac Tools.

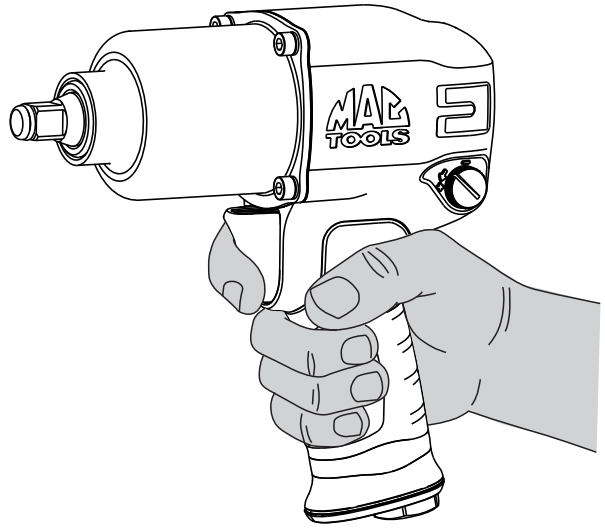
PROPER HAND POSITION

WARNING

Warning: To reduce the risk of serious personal injury, **ALWAYS** use proper hand position as shown (Fig. 3).

Warning: To reduce the risk of serious personal injury, **ALWAYS** hold securely in anticipation of a sudden reaction.

Fig. 3



MAINTENANCE

Lubrication

Air tools require lubrication throughout the lifetime of the tools.

The air hammer mechanism uses compressed air to power the tool. The compressed air contains moisture that will rust the components inside of the tools, therefore lubrication is required daily. Failure to lubricate the air tool properly will dramatically shorten the life of the tool and will void the warranty

▲ CAUTION: *This air tool requires lubrication **BEFORE** initial use, also before and after each additional use.*

To lubricate the air tool manually:

1. Disconnect the tool from the air supply source, place the air inlet face up.
2. Depress the trigger and place about 5 to 10 drops (0.25 to 0.5 ml) of air tool oil into the air inlet.

NOTE: Use SAE #10 weight oil if air tool oil is not available.

3. Remove accessory, connect the tool to an air source, then cover the exhaust end with a towel and run tool for 2 to 3 seconds.

To lubricate internal mechanism:

Locate the grease fitting in the back of the tool. Inject 4 cc's of MAC tools approved impact grease into the fitting every 3-6 months depending on use.

▲ WARNING: *Keep out of the reach of children. If air tool oil is ingested, do not induce vomiting, call a doctor immediately.*

▲ WARNING: *Any excess oil in the tool is immediately expelled from the exhaust port. Always direct exhaust port away from people or objects.*

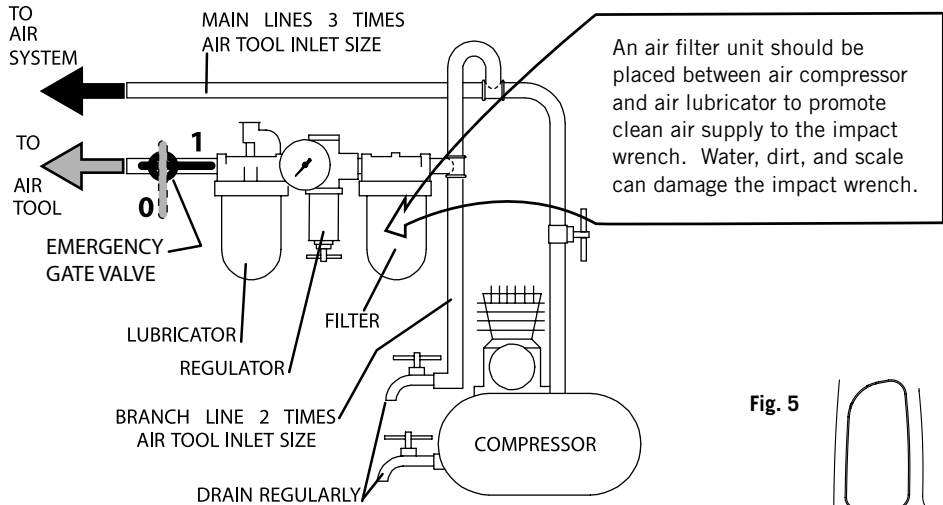
NOTE: Check the speed and make a simple check of the vibration level after each service.

Storage:

The air tool must be lubricated before storing. Follow the "Lubrication" instruction with exception of step 3. Always use an air line lubricator with this tool. Do not over-oil and do not use heavy grade oil as stalling and low performance may result.

PLACING TOOL IN SERVICE

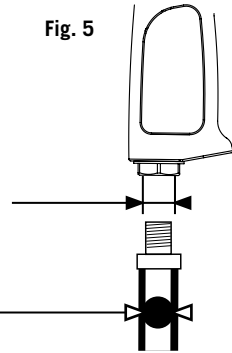
Fig. 4



1/4" NPT HIGH FLOW FITTING

AIR HOSE 3/8" (10 mm) I.D. MIN.

Fig. 5



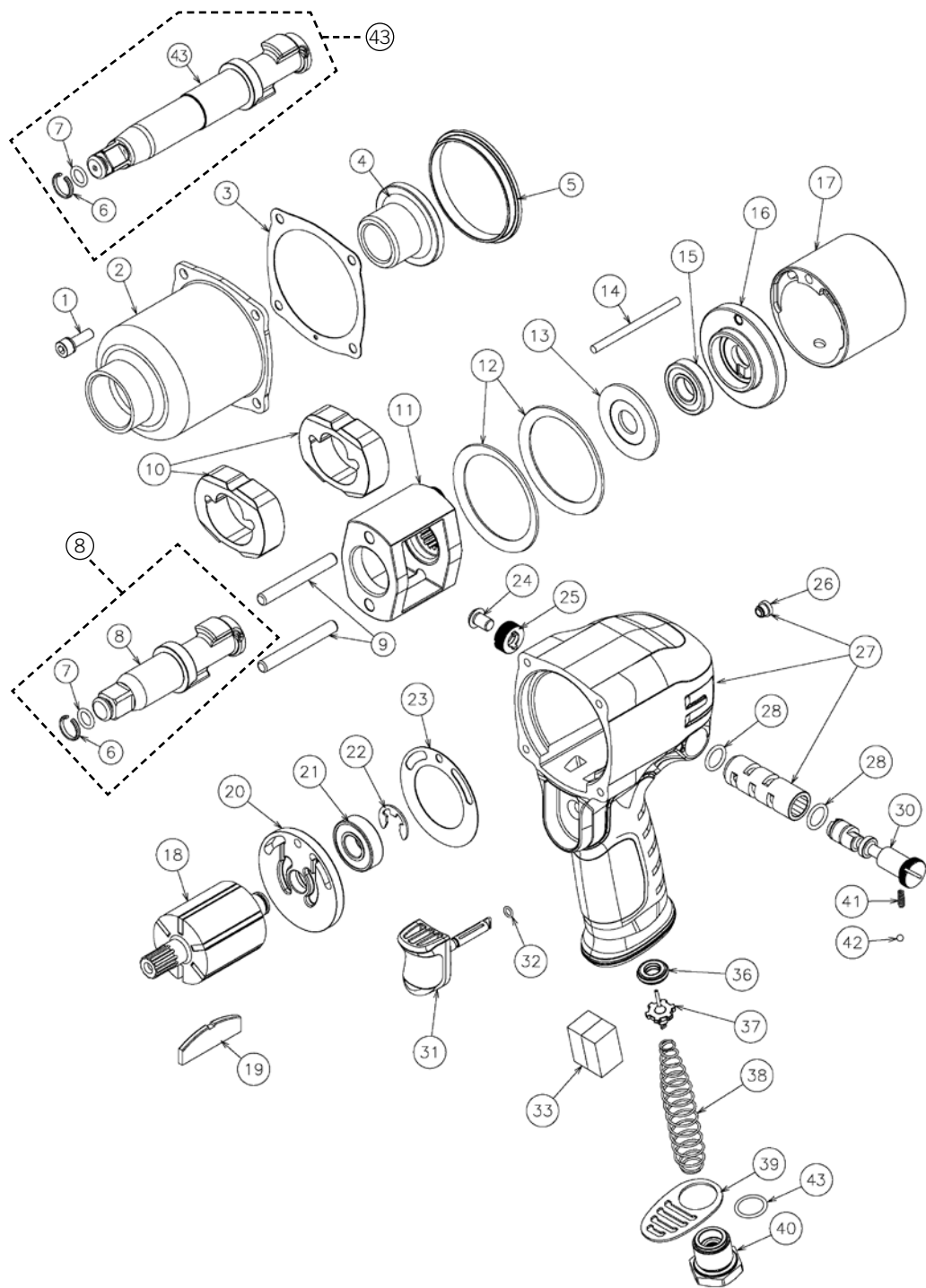
SPECIFICATIONS

Model #	Square Drive in / mm	Impact Rate bpm fwd / rev	Breakaway Torque ft-lbs / Nm	Noise Level (ISO 15744)			
				Pressure dB(A)		Power dB(A)	
MPF970501	.5 / 13	1030 / 1120	1100 / 1490	90	3*	101	3*
MPF972501	.5 / 13	1010 / 1060	1100 / 1490	90	3*	101	3*

Model #	Vibration Level (ISO 28927-2)		Average Air Consumption cfm / l/min	Working Pressure psi / bar	Weight lbs / kg	Dimensions in / mm
	m/s ²					
MPF970501	5.2	1.5**	5.2 / 147.2	90 / 6.2	6.2 / 2.8	7.5 x 2.8 x 7.6 / 190 x 70 x 193
MPF972501	5.2	1.5**	5.2 / 147.2	90 / 6.2	6.4 / 2.9	9.6 x 2.8 x 7.6 / 243 x 70 x 193

* = measurement uncertainty in dB(A)

** = measurement uncertainty in m/s²



ITEM #	PART #	DESCRIPTION	QTY
	MPF970501	1/2" ALUMINUM IMPACT WRENCH	
	MPF972501	1/2" ALUMINUM IMPACT WRENCH 2" EXTENDED ANVIL	
1	N463078	SCREW	1
2	N463073	HAMMER CASE ASSY.	1
3	N463075	GASKET	1
4	N463074	BUSHING	1
5	N463077	SEPARATOR	1
8	N459382	1/2" ANVIL ASSEMBLY (INCLUDES 6, 7)	
6	086947.00	SPRING RING	1
7	50056.00	O RING	1
9	N459386	PIN	2
10	N470967	HAMMER	2
11	N463069	FRAME	1
12	N462277	WASHER	1
13	N463071	REAR WASHER	1
14	N463065	DOWEL	1
15	N463061	BALL BEARING	1
16	N463066	FRONT END PLATE	1
17	N463064	CYLINDER	1
18	N459389	ROTOR	1
19	N459388	ROTOR BLADE	6

ITEM #	PART #	DESCRIPTION	QTY
20	N463067	REAR END PLATE	1
21	N463062	BALL BEARING	1
22	N463059	E-CLIP	1
23	N463068	GASKET	1
24	N463060	SCREW	1
25	N463058	KNOB	1
26	N463039	GREASE FITTING	1
27	N520498	HOUSING ASSEMBLY	1
28	N459403	O-RING	1
30	N463057	REVERSE VALVE	1
31	N472297	TRIGGER	1
32	N459404	O-RING	1
33	N463052	OILER FELT	1
36	N539593	GASKET	1
37	N463044	THROTTLE VALVE	1
38	N463048	VALVE SPRING	1
39	N459395	EXHAUST PLATE	1
40	N463055	AIR INLET	1
41	N471026	DETENT SPRING	1
42	N471025	BALL DETENT	1
43	86459	O-RING	1
44	N486148	1/2" ENTENDED ANVIL ASSEMBLY (INCLUDES 6, 7)	
6	086947.00	SPRING RING	1
7	50056.00	O RING	1

LIMITED WARRANTY

We warrant that this tool shall be free from manufacturing defects for a period of ONE YEAR from the original purchase date. Our obligation to the original purchaser shall be limited to repairing or replacing, at our expense (not including shipping charges) a defective tool if returned by the original purchaser within one year from the date of purchase, all incoming shipping charges prepaid. THIS WARRANTY DOES NOT COVER DEFECTS OR DAMAGES TO THE TOOL (i) after the warranty period expires; (ii) resulting from misuse or abnormal operation; (iii) resulting from a failure to properly lubricate, maintain or operate the tool; or (iv) resulting from any repair or maintenance services performed by any party other than Mac Tools. THIS LIMITED WARRANTY IS GIVEN IN LIEU OF ALL OTHERS, INCLUDING THE IMPLIED WARRANTY OF MERCHANTABILITY AND FITNESS FOR A PARTICULAR PURPOSE, AND EXCLUDES ALL INCIDENTAL OR CONSEQUENTIAL DAMAGES. Some states do not allow limitations on how long an implied warranty lasts or the exclusion or limitation of incidental or consequential damages, so these limitations may not apply to you. This warranty gives you specific legal rights and you may have other rights which vary in certain states or provinces.

CUSTOMER SERVICE

We at Mac Tools are committed to our customers, please reference the following phone number for a direct contact to one of our customer technicians. They will be more than happy to help with any service or warranty questions you may have about your power tool.

MACTOOLS.COM | Mac Tools • 505 North Cleveland Avenue • Westerville, Ohio 43082 | 800.MACTOOLS

Mac Tools-Europe, Stanley Black & Decker Inc. • Unit 3, Europa Court
Sheffield Business Park • Sheffield, S9 1XE | 0114 2917266

CE DECLARATION OF CONFORMITY

WE, **MAC TOOLS EUROPE-STANLEY BLACK & DECKER, INC. EUROPA COURT, SHEFFIELD BUSINESS PARK, SHEFFIELD S9 1XE, UNITED KINGDOM**, DECLARE UNDER OUR OWN RESPONSIBILITY THAT THE PRODUCTS **MPF970501 – 0.5 IN IMPACT WRENCH AND MPF972501 – 0.5 IN IMPACT WRENCH 2" EXTENDED ANVIL**

- ARE IN CONFORMITY WITH THE "MACHINERY" DIRECTIVE 2006/42/EC
- AND ARE IN CONFORMITY WITH THE PROVISIONS OF THE HARMONISED EUROPEAN STANDARD EN ISO 11148-6: 2012

THE UNDERSIGNED IS RESPONSIBLE FOR COMPILATION OF THE TECHNICAL FILE AND MAKES THIS DECLARATION ON BEHALF OF MAC TOOLS.



A handwritten signature in black ink, appearing to read 'M. Rompel'.

Markus Rompel
Director Engineering
25.04.2017



MPF970501

MPF972501

Manual de instrucciones



ADVERTENCIA

Para reducir el riesgo de lesiones, lea y comprenda estas advertencias e instrucciones de seguridad antes de utilizar la herramienta. Guarde estas instrucciones con la herramienta para futuras consultas. Si tiene preguntas, contacte con su representante o distribuidor de **MAC TOOLS**.

© 2018 Mac Tools

Llave de impacto de aluminio con encaje de 13 mm (1/2 pulg.)

Llave de impacto de 13 mm (1/2 pulg.) aluminio con encaje de yunque extendido de 50.8 mm (2 pulg.)

TABLA DE CONTENIDOS

Introducción	14
Instrucciones de seguridad	15 - 19
Mantenimiento	19
Especificaciones	21
Componentes de la herramienta	22, 23
Información de contacto	24

INTRODUCCIÓN

Las llaves de impacto **Mac Tools™ MPF970501 y MPF972501** son herramientas de precisión, diseñadas para colocar, ajustar y aflojar sujetadores roscados, por lo general tuercas y pernos, cuando se los coloca con un cubo de impacto apropiado. Estas herramientas ofrecen un servicio confiable y eficiente cuando se utilizan de la manera correcta y con cuidado. Estas herramientas ofrecen un servicio eficiente y confiable cuando se usa correctamente y con cuidado. Al igual que con cualquier herramienta eléctrica delicada, para un mejor rendimiento deben observarse las instrucciones del fabricante. Deben leerse con atención las instrucciones de instalación, operación y mantenimiento y el manual debe conservarse para referencia. NOTA: Pueden requerirse medidas adicionales de seguridad debido a su aplicación particular de la herramienta. Contacte al representante o al distribuidor de Mac Tools si tiene preguntas sobre la herramienta y su uso.

MACTOOLS.COM | Mac Tools • 505 North Cleveland Avenue • Westerville, Ohio 43082 | 800.MACTOOLS

Mac Tools-Europe, Stanley Black & Decker Inc. • Unit 3, Europa Court
Sheffield Business Park • Sheffield, S9 1XE | 0114 2917266



ADVERTENCIA

CONSIGNES DE SÉCURITÉ IMPORTANTES CI-INCLUSES. LIRE CE GUIDE
D'UTILISATION AVANT TOUTE UTILISATION DE L'OUTIL.
CONSERVEZ POUR RÉFÉRENCE FUTURE

RISQUES DE DOMMAGES CORPORELS EN CAS DE NON-RESPECT DE CES DIRECTIVES.



No utilice mangueras de aire y accesorios dañados, desgastados o deteriorados.



Las herramientas neumáticas pueden vibrar durante el uso. La vibración, los movimientos repetitivos o las posiciones incómodas pueden ser peligrosos para las manos y los brazos. Deje de usar cualquier herramienta si siente incomodidad, tiene una sensación de hormigueo o siente dolor. Busque asesoramiento médico antes de continuar el uso.



No transporte la herramienta por la manguera.



Mantenga una postura equilibrada y firme. No ponga en peligro su estabilidad al operar esta herramienta.



Apague siempre el suministro de aire y desconecte la manguera de suministro de aire antes de instalar, retirar o ajustar cualquier accesorio o antes de realizar cualquier tarea de mantenimiento en esta herramienta.



Use equipos de protección tales como gafas, guantes, zapatos de seguridad y protección acústica. Manténgase atento, use el sentido común y preste atención al usar la herramienta.



Siempre use protección ocular ANSI Z87.1 CAN CSA Z94.3 o para Europa, protección ocular adecuada con marca CE al operar o realizar mantenimiento en esta herramienta.



Siempre use protección respiratoria adecuada al utilizar esta herramienta.



Operar a una presión máxima de aire de 90 psig (6,2 bares)



No aplique aceite excesivo ni use aceite para servicio intenso ya que puede producirse el atascamiento y bajo rendimiento.



ADVERTENCIA! Lea todas las advertencias de seguridad e instrucciones. El incumplimiento de las advertencias e instrucciones puede provocar descargas eléctricas, incendios o lesiones graves.

Utilice equipos de protección personal. Según la aplicación, debe usar protector facial, anteojos de seguridad o lentes de seguridad. Según corresponda, utilice máscara para polvo, protectores auditivos, guantes y delantal de taller para protegerse de los pequeños fragmentos abrasivos y de los fragmentos de la pieza de trabajo.

La protección para los ojos debe ser capaz de detener los residuos volátiles que se generan en las diferentes operaciones. La máscara para polvo o respirador debe ser capaz de filtrar las partículas generadas por el funcionamiento de la herramienta. La exposición prolongada al ruido intenso puede provocar pérdida de la audición. Los anteojos de diario NO SON lentes de seguridad. Utilice además una cubrebocas o mascarilla antipolvo si la operación de corte genera demasiado polvo. SIEMPRE LLEVE EQUIPO DE SEGURIDAD CERTIFICADO:

- Protección ocular ANSI Z87.1 (CAN/CSA Z94.3),
- Protección auditiva ANSI S12.6 (S3.19),
- Protección respiratoria NIOSH/OSHA/MSHA

1) SEGURIDAD EN EL ÁREA DE TRABAJO

- Mantenga el área de trabajo limpia y bien iluminada. Las áreas abarrotadas y oscuras propician accidentes. Esté atento a su entorno, las superficies resbaladizas causadas por el uso de esta herramienta y también de los peligros de tropiezos causados por las líneas de aire.
- No opere las herramientas neumáticas en atmósferas explosivas, como ambientes donde haya polvo, gases o líquidos inflamables. Las herramientas neumáticas originan chispas que pueden encender el polvo o los vapores.
- No use en condiciones húmedas.
- Mantenga alejados a los niños y a los espectadores de la herramienta eléctrica en funcionamiento. Las distracciones pueden provocar la pérdida de control.

2) SEGURIDAD PERSONAL

- Permanezca alerta, controle lo que está haciendo y utilice el sentido común cuando emplee una herramienta eléctrica. No utilice una herramienta eléctrica si está cansado o bajo el efecto de drogas, alcohol o medicamentos. Un momento de descuido mientras se opera una herramienta eléctrica puede provocar lesiones personales graves.
- Evite el encendido accidental. Verifique que el gatillo esté en la posición de apagado antes de conectar a la fuente de aire, levantar o transportar la herramienta. Llevar las herramientas eléctricas con el dedo en el interruptor o enchufar herramientas eléctricas con el interruptor en la posición de encendido puede ocasionar accidentes.
- La exposición a altos niveles de ruido puede provocar pérdida de la audición permanente, discapacitante y otros problemas, como acúfeno (campanilleo, zumbido, silbido o murmullo en los oídos). Por lo tanto, son fundamentales una evaluación de riesgo y la implementación de controles adecuados para estos peligros. Los controles adecuados para reducir el riesgo pueden incluir acciones como amortiguar materiales para evitar que las piezas de trabajo repiqueteen.
- Use indumentaria apropiada. No use indumentaria suelta ni joyas. Mantenga su cabello, indumentaria y guantes alejados de las piezas móviles. Ropa suelta, guantes revestidos con goma o reforzados con metal, guantes con dedos cortados o deshilachados, joyas o cabello largo pueden resultar atrapados en piezas móviles.
- Mantenga las manos y otras partes del cuerpo, ropa suelta y cabello largo alejados del extremo móvil de la herramienta.
- Anticípese y esté atento a los cambios repentinos en el movimiento durante el arranque y la operación de cualquier herramienta eléctrica.
- Los operadores y el personal de mantenimiento deben tener la capacidad física de manejar el volumen, la masa y la potencia de la herramienta.
- Mantenga una postura corporal equilibrada y firme. No ponga en peligro su estabilidad al operar esta herramienta.
- No opere esta herramienta durante períodos prolongados. La vibración provocada por la acción de la herramienta puede ser peligrosa para sus manos y brazos. Sujete la herramienta con un agarre ligero pero seguro, teniendo en cuenta las fuerzas de reacción manual necesarias. Deje de utilizar cualquier herramienta si se

produce malestar, sensación de hormigueo o dolor. Consulte con un médico antes de volver a utilizarla.

- Para EE. UU.: Cierta polvo creado por el lijado eléctrico, el aserrado, el amolado, la perforación, el astillado y otras actividades de construcción contiene productos químicos que el Estado de California ha determinado que son causantes de cáncer, defectos de nacimiento u otros daños reproductivos. Algunos ejemplos de estos productos químicos son:
 - plomo de pinturas con base de plomo,
 - silicio cristalino de ladrillos, cemento y otros productos de albañilería, y
 - arsénico y cromo de la leña con tratamiento químico.

Su riesgo ante estas exposiciones varía de acuerdo con la frecuencia en que realice este tipo de trabajo.

Para reducir su exposición a estos productos químicos: trabaje en un área bien ventilada, y trabaje con equipos de seguridad aprobados, como máscaras para polvo especialmente diseñadas para filtrar las partículas microscópicas.

- Debido al polvo generado durante el uso de la herramienta, una evaluación del riesgo y la puesta en práctica de controles apropiados para estos peligros son esenciales.
- Los accesorios y herramientas pueden calentarse durante la operación. Use guantes al tocarlos. Asegúrese de que la herramienta esté apagada al cambiar los accesorios.
- Mantenga a las personas ajenas al trabajo a una distancia segura del área de trabajo. Cualquier persona que ingresa al área de trabajo debe usar equipos de protección personal. Los fragmentos de la pieza de trabajo o de un accesorio roto pueden salir despedidos y causar lesiones más allá del área inmediata de operación.
- Nunca dirija aire hacia usted o hacia otra persona, ya que podría provocar lesiones personales.
- Use ropa cálida al trabajar en condiciones frías y mantenga las manos calientes y secas.
- El rebote de las mangueras puede causar lesiones graves. Siempre compruebe si hay mangueras y accesorios dañados o sueltos.
- Evite el contacto prolongado con el polvo procedente del lijado, serrado, esmerilado y taladrado eléctricos, así como de otras actividades del sector de la construcción. Lleve ropa protectora y lave con agua y jabón las zonas expuestas. Si permite que el polvo se introduzca en la boca u ojos o quede sobre la piel, puede favorecer la absorción de productos químicos peligrosos.
- Toda persona que entre al área de trabajo deberá usar una máscara antipolvo o protección respiratoria. El filtro debería ser reemplazado a diario o cuando el usuario tenga dificultad para respirar. Puede encontrar la máscara antipolvo apropiada aprobada por NIOSH/OSHA en su ferretería local.
- Guarde la herramienta eléctrica que no esté en uso fuera del alcance de los niños y no permita que otras personas no familiarizadas con ella o con estas instrucciones operen la herramienta. Las herramientas eléctricas son peligrosas si son operadas por usuarios no capacitados.
- Este producto puede contener una o más sustancias químicas reconocidas por el Estado de California como causantes de cáncer, defectos de nacimiento u otros problemas reproductivos. Lávese muy bien las manos después de manipular el producto.
- No permita que los niños entren en contacto con esta herramienta. Se requiere supervisión cuando operadores sin experiencia usan esta herramienta.
- No modifique esta herramienta. Las modificaciones pueden reducir la efectividad de las medidas de seguridad e incrementar los riesgos para el operador.
- No descarte las instrucciones de seguridad; entréguelas al operador.
- No use la herramienta si ha sido dañada.
- Recuerde que la falla de la pieza de trabajo o los accesorios, o incluso de la herramienta, puede disparar proyectiles de alta velocidad.
- Este producto no está diseñado para ser usado por personas (incluidos niños) que sufren de una reducción de sus capacidades físicas, sensoriales o mentales, o de falta de experiencia, conocimiento o habilidades, a menos que estén supervisadas por la persona responsable de su seguridad. Los niños nunca deben quedar solos con este producto. Esta herramienta y sus accesorios deben ser usados en cumplimiento de estas instrucciones. Su uso para otro propósito puede causar un riesgo para las personas y el medio ambiente.
- Solo los operadores calificados y capacitados deben instalar, ajustar o usar la herramienta.
- Para trabajos en altura, use un casco de seguridad.
- Dirija el escape para minimizar la interferencia del polvo en un ambiente lleno de polvo. No dirija el aire de escape hacia las manos.
- Cuando se crea polvo o emanaciones, la prioridad deberá ser controlarlos en el punto de emisión.
- Todas las características integrales o accesorios para la recolección, extracción o supresión de polvo transportado en el aire o de emanaciones deben usarse correctamente y mantenerse de acuerdo con las instrucciones del fabricante.
- Siempre opere, inspeccione y mantenga esta herramienta de acuerdo con el American National Standard

Instituto del Código de Seguridad de Herramientas portátiles de aire (ANSI B186.1) y cualquier otro código de seguridad y regulación aplicable.

- No haga funcionar la herramienta sin instalar un cubo en ella.

3) INSTRUCCIONES ADICIONALES DE SEGURIDAD PARA EL MARTILLO NEUMÁTICO

ADVERTENCIA

- Use solo cubos y extensiones accesorios aptos para impacto recomendados para Mac Tools. Inspeccione los accesorios antes de usarlos. No use accesorios agrietados o dañado. No use cubos cromados, cubos de mano o cualquier otro accesorio que no sea apto para uso de impacto.
- La potencia de la herramienta es controlada por la presión ejercida en el gatillo. Sostenga firmemente la herramienta y presione el gatillo para operar.
- No use dados con desgaste excesivo en la cabeza motriz de entrada o de salida. Revise periódicamente el cuadrante de la llave de impacto. Asegúrese de que el dado, barra de extensión u otro aditamento quede asegurado firmemente antes de operar la herramienta.
- Al aflojar sujetadores asegúrese primero que haya suficiente espacio libre detrás de la herramienta para evitar que le atrape la mano. La herramienta se alejará de la junta roscada a medida que la tuerca o tornillo es aflojado y sale de la rosca, moviendo la herramienta con el sujetador. Asegúrese de mantener las manos lejos de los cubos al usar la herramienta.
- Ajuste firmemente el casquillo o el accesorio a la llave de impacto. Inspeccione el yunque y el anillo de retención de la herramienta antes de su uso. Los elementos que se pierdan o se dañen se deben reemplazar antes de usarla.
- Compruebe que el interruptor de avance/retroceso esté en la posición correcta para apretar o aflojar el sujetador.
- La tuerca/El perno puede enroscar utilizando el encastre impulsor de la herramienta. Para aflojar una unión, la herramienta se puede utilizar en la secuencia inversa.
- Se recomienda utilizar un accesorio de fijación de manguera roscado de acero templado (o material con resistencia al choque comparable) (Fig. 4).

4) USO Y MANTENIMIENTO DE LA HERRAMIENTA ELÉCTRICA

- Antes de usar la herramienta, compruebe que no haya una interacción peligrosa con el ambiente inmediato (gas explosivo, líquido inflamable o peligroso, tuberías desconocidas, fundas eléctricas o cables, etc.).
- Antes de conectar la herramienta a la entrada de aire, compruebe que el gatillo no esté bloqueado en la posición de encendido por un obstáculo.
- En caso de bloqueo, libere el gatillo y desconecte la herramienta de la red de aire comprimido.
- Verifique que la unidad donde se están realizando trabajos esté inmovilizada.
- Siempre opere, inspeccione y mantenga esta herramienta de acuerdo con todas las regulaciones (locales, estatales, federales y nacionales) que puedan ser de aplicación a herramientas neumáticas portátiles.
- Con miras a la seguridad, desempeño óptimo y máxima durabilidad de las partes, haga funcionar esta herramienta a 90 psig (6,2 bar/620 kPa) de presión máxima de aire en la admisión, con manguera de suministro de aire de 3/8" (10 mm) de diámetro interior.
- Siempre use aire limpio y seco. El polvo, las emanaciones corrosivas y la humedad excesiva pueden dañar el motor de una herramienta neumática.
- Si se supera la presión máxima de 90 psig (6.2 bar / 620 kPa) se corre peligro de velocidad excesiva, desgaste de la herramienta, rotura de piezas, mayor torsión o fuerza que puede destruir la herramienta y sus accesorios o la pieza de trabajo.
- Realice el mantenimiento de las herramientas neumáticas. Revise que no haya piezas en movimiento mal alineadas o trabadas, piezas rotas o cualquier otra situación que pueda afectar el funcionamiento de la herramienta eléctrica. Si encuentra daños, haga reparar la herramienta eléctrica antes de utilizarla. Se producen muchos accidentes a causa de las herramientas neumáticas que carecen de un mantenimiento adecuado.
- Utilice solamente accesorios clasificados para impacto recomendados por Mac Tools. Revise los accesorios antes de usarlos. No utilice accesorios agrietados o dañados. Simplemente porque el accesorio puede sujetarse a su herramienta eléctrica no garantiza un funcionamiento seguro.
- Utilice la herramienta eléctrica, los accesorios y las brocas de la herramienta, etc. de acuerdo con estas

instrucciones y teniendo en cuenta las condiciones de trabajo y el trabajo que debe realizarse. El uso de la herramienta eléctrica para operaciones diferentes de aquéllas para las que fue diseñada podría originar una situación peligrosa.

- Asegúrese de que las chispas y la suciedad derivadas del uso no generen un peligro.
- La herramienta neumática debe colocarse y conectarse a la red de aire comprimido por medio de desconexiones rápidas para facilitar el apagado en caso de peligro.
- Cuando la vida de la herramienta ha caducado, se recomienda que se desensamble y desengrase, y que las partes se separen por material para que puedan reciclarse.
- Siempre apague el suministro de aire y desconecte la manguera de suministro de aire antes de instalar, retirar o ajustar cualquier accesorio de esta herramienta, o antes de realizar cualquier tarea de mantenimiento sobre esta herramienta.
- No utilice mangueras de aire y accesorios dañados, desgastados o deteriorados. No abuse de las mangueras o conectores.
- No lubrique las herramientas con líquidos inflamables o volátiles tales como queroseno, diésel o combustible para aviones.
- No retire las etiquetas. Inspeccione periódicamente las etiquetas para asegurarse de que todas las marcas siguen siendo legibles. Sustituya cualquier etiqueta dañada.
- No utilice la herramienta si el gatillo no enciende ni apaga la herramienta.
- No bloquee, enciente ni alambre el gatillo "on/off" (encendido/apagado) en la posición "on", ya que el gatillo debe estar libre para volver a la posición "off" al soltarlo.
- Asegúrese de que todas las mangueras y accesorios sean del tamaño correcto y estén bien apretados.
- Se recomienda el uso de un látigo de manguera. Un acoplador conectado directamente a la admisión de aire aumenta el volumen de la herramienta y disminuye su maniobrabilidad.
- Para un rendimiento máximo, el acoplador de aire en la pared debe ser del siguiente tamaño más grande que el acoplador de aire utilizado en la herramienta. El acoplador más cercano a la herramienta no debe ser menor que el tamaño apropiado de la manguera de suministro de aire.
- Use abrazaderas u otra forma práctica de sujetar y sustentar la pieza de trabajo a una plataforma estable. Sostener la pieza de trabajo con la mano o contra el cuerpo es inestable y puede ocasionar la pérdida de control.
- Cuando no se usa, desconecte la herramienta del suministro de aire para prevenir el uso accidental o no autorizado en ausencia del operador.
- No modifique ninguna parte/componente/accesorio de esta herramienta de ninguna manera.
- El filtro de malla de aire en la entrada de aire ocasionalmente se obstruye con suciedad, lo que bloquea el suministro de aire y disminuye el rendimiento de la herramienta. Si esto sucede, el filtro de malla de aire debe limpiarse.
- Guarde la herramienta eléctrica que no esté en uso fuera del alcance de los niños y no permita que otras personas no familiarizadas con ella o con estas instrucciones operen la herramienta. Las herramientas eléctricas son peligrosas si son operadas por usuarios no capacitados.
- Coloque la herramienta en el perno o la tuerca antes de encenderla. No apunte la herramienta ni se ponga a jugar mientras la está manipulando.

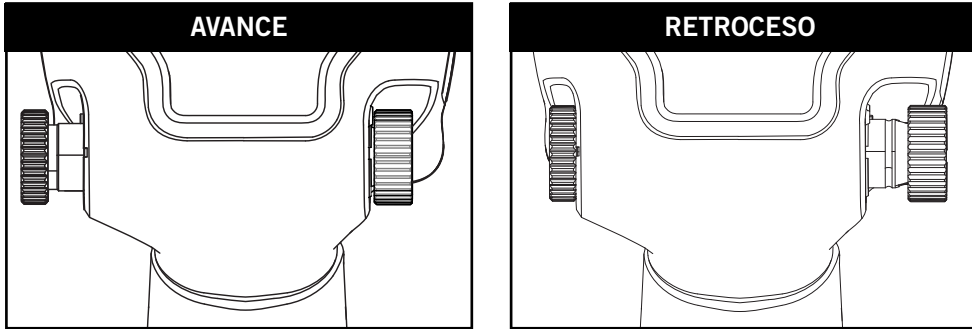
INTERRUPTOR DE GATILLO DE VELOCIDAD VARIABLE

Para encender la herramienta, apriete el interruptor tipo gatillo. Para apagar la herramienta, suelte el interruptor tipo gatillo. Cuando más apriete el gatillo, más rápido funcionará la herramienta.

PERILLA DE AVANCE/RETROCESO Y DE CONTROL DE VELOCIDAD

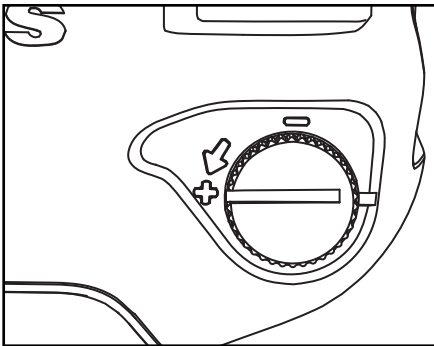
La perilla de avance/retroceso y de control de velocidad (Fig. 1) determina la dirección de la herramienta y también funciona como control de velocidad variable. Para seleccionar la rotación de avance, oprima el botón lateral que está en el lado derecho de la herramienta, tal como se muestra. Para seleccionar la rotación de retroceso, oprima el botón lateral que está en el lado izquierdo de la herramienta, tal como se muestra.

Fig. 1



La rotación de avance se puede ajustar a velocidad variable girando el botón de baja a alta, tal como se muestra. Para obtener una máxima fuerza de torsión (Fig. 2), gire la perilla hasta que la línea del indicador coincida con el símbolo '+'. Para obtener una mínima fuerza de torsión, gire la perilla hasta que la línea del indicador coincida con el símbolo '-'.

Fig. 2



5) SERVICIO

- El servicio de la herramienta debe ser realizado por personal de reparación calificado, usando solo piezas de repuesto idénticas autorizadas por Mac Tools. Use solo lubricantes recomendados por Mac Tools.

POSICION CORRECTA DE LAS MANOS

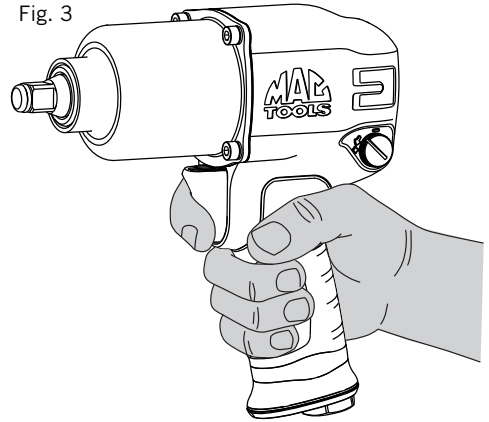
ADVERTENCIA

Advertencia: Para reducir el riesgo de lesión personal grave, tenga SIEMPRE las manos en una posición adecuada como se muestra.

(Fig. 3).

Advertencia: Para reducir el riesgo de sufrir una lesión personal grave, SIEMPRE sostenga de forma segura antes de una reacción repentina.

Fig. 3



MANTENIMIENTO

Lubricación

Las herramientas neumáticas requieren lubricación durante toda la vida útil de la herramienta.

El mecanismo del martillo neumático usa aire comprimido para accionar la herramienta. El aire comprimido contiene humedad que oxidará los componentes dentro de las herramientas; en consecuencia, se requiere lubricación a diario. Si no se lubrica correctamente la herramienta neumática, se reducirá drásticamente la vida útil de la herramienta y se anulará la garantía.

⚠PRECAUCIÓN: Esta herramienta neumática requiere lubricación **ANTES** del uso inicial, y también antes y después de cada uso adicional.

Para lubricar la herramienta neumática manualmente:

1. Desconecte la herramienta de la fuente de suministro de aire, coloque la entrada de aire hacia arriba.
2. Oprima el gatillo y coloque alrededor de 5 a 10 gotas (5 cc) de aceite para herramientas neumáticas en la entrada de aire.

NOTA: Use aceite SAE con peso N.º 10 si el aceite para herramientas neumáticas no está disponible.

3. Quite el accesorio, conecte la herramienta a un suministro de aire, luego cubra el escape con una toalla y haga funcionar la herramienta de 2 a 3 segundos.

Cómo lubricar el mecanismo interno:

Busque el punto de engrase detrás de la herramienta. Inyecte 4 cc de grasa de impacto aprobada para herramientas MAC en el punto cada 3 a 6 meses según el uso.

⚠ADVERTENCIA: Mantener fuera del alcance de los niños. Si se ingiere el aceite para herramientas neumáticas, no inducir el vómito, llamar a un médico de inmediato.

⚠ADVERTENCIA: Todo aceite en exceso en la herramienta se expulsa de inmediato por el puerto de escape. Siempre dirija el puerto de escape en una dirección alejada de las personas o los objetos.

NOTA: Compruebe la velocidad y haga una comprobación simple del nivel de vibración después de cada servicio.

Almacenamiento:

La herramienta neumática debe lubricarse antes de almacenarla. Siga las instrucciones de "Lubricación" con excepción del paso 3.

Utilice siempre un lubricante de línea de aire con esta herramienta. No coloque demasiado aceite y no utilice aceite pesado ya que puede generar pérdida de velocidad y bajo rendimiento.

PARA PONER LA HERRAMIENTA EN SERVICIO

Fig. 4

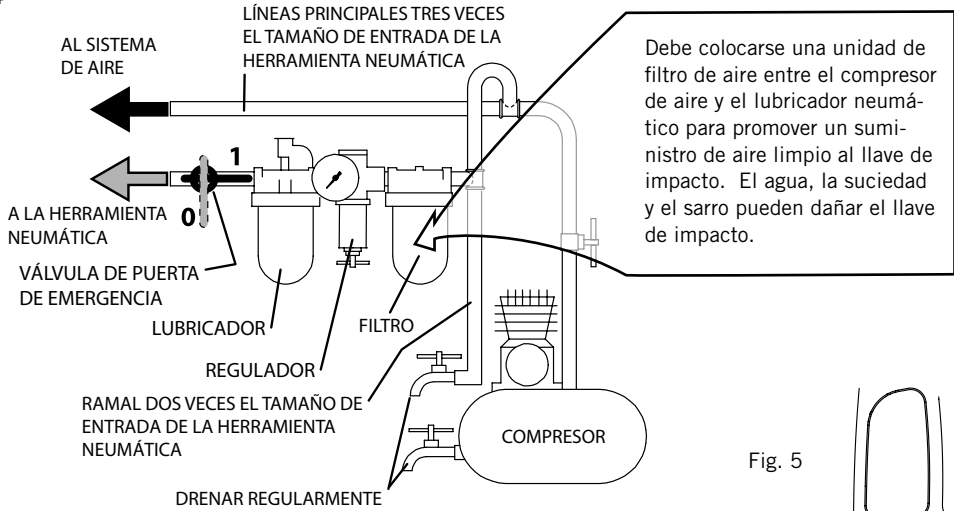
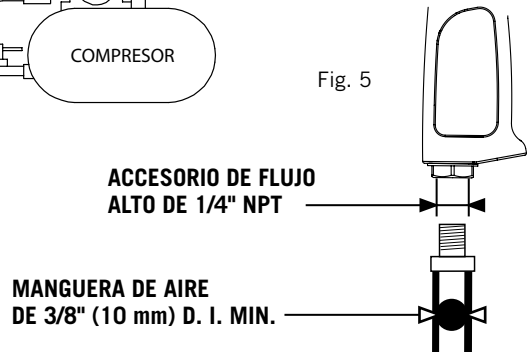


Fig. 5

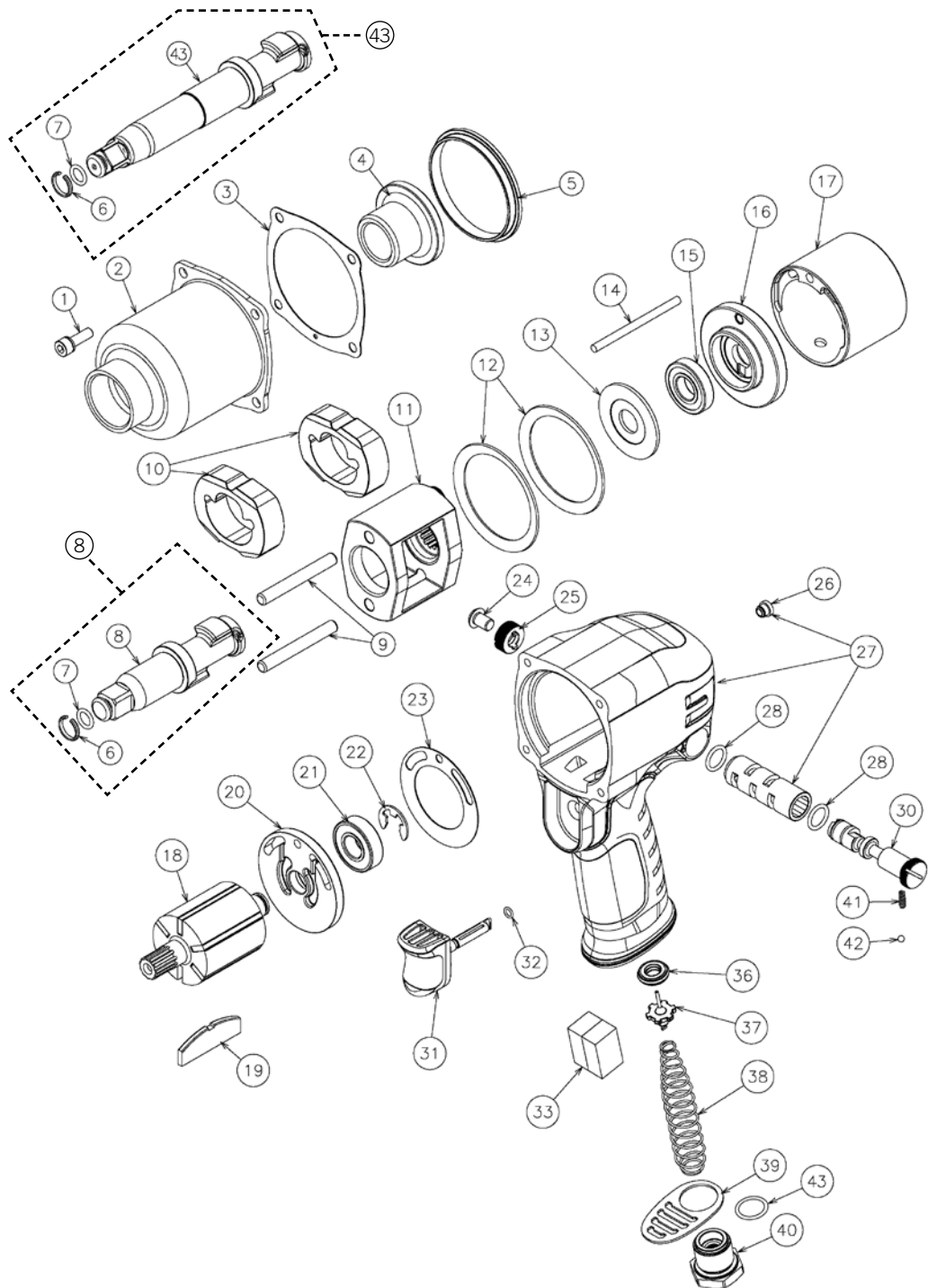


ESPECIFICACIONES

No. de modelo	Eje in / mm	Tasa de impacto bpm avance / retroceso	Par de Arranque lb-pie / Nm	Nivel de ruido (ISO 15744)			
				Presión dB(A)		Potencia dB(A)	
MPF970501	.5 / 13	1030 / 1120	1100 / 1490	90	3*	101	3*
MPF972501	.5 / 13	1010 / 1060	1100 / 1490	90	3*	101	3*

No. de modelo	Nivel de vibración (ISO 28927-2)		Consumo promedio de aire cfm / l/min	Presión de Trabajo psi / bar	Peso lbs / kg	Dimensiones in / mm
	m/s ²					
MPF970501	5.2	1.5**	5.2 / 147.2	90 / 6.2	6.2 / 2.8	7.5 x 2.8 x 7.6 / 190 x 70 x 193
MPF972501	5.2	1.5**	5.2 / 147.2	90 / 6.2	6.4 / 2.9	9.6 x 2.8 x 7.6 / 243 x 70 x 193

* = incertidumbre de medición en dB(A) ** = incertidumbre de medición en m/seg²



No. DE ARTÍCULO	No. DE PIEZA	DESCRIPCIÓN	CTD
	MPF970501	LLAVE DE IMPACTO DE ALUMINIO DE 1.27 MM (1/2")	
	MPF972501	LLAVE DE IMPACTO DE ALUMINIO DE 1.27 MM (1/2") YUNQUE EXTENDIDO DE 50.8 MM (2")	
1	N463078	TORNILLO	1
2	N463073	CONJ. ESTUCHE PARA MARTILLO	1
3	N463075	JUNTA	1
4	N463074	CASQUILLO	1
5	N463077	SEPARADOR	1
8	N459382	CONJUNTO DE YUNQUE DE 50.8 MM (2") (INCLUYE 6, 7)	
6	086947.00	ARANDELA ELÁSTICA	1
7	50056.00	JUNTA TÓRICA	1
9	N459386	PASADOR	2
10	N470967	MARTILLO	2
11	N463069	MARCO	1
12	N462277	ARANDELA	1
13	N463071	ARANDELA TRASERA	1
14	N463065	ESPIGA	1
15	N463061	RODAMIENTOS DE BOLAS	1
16	N463066	PLACA DELANTERA	1
17	N463064	CILINDRO	1
18	N459389	ROTOR	1
19	N459388	HOJA DEL ROTOR	6

No. DE ARTÍCULO	No. DE PIEZA	DESCRIPCIÓN	CTD
20	N463067	PLACA TRASERA	1
21	N463062	RODAMIENTOS DE BOLAS	1
22	N463059	ARANDELA DE SEGURIDAD	1
23	N463068	JUNTA	1
24	N463060	TORNILLO	1
25	N463058	PERILLA	1
26	N463039	PUNTO DE ENGRASE	1
27	N520498	ENSAMBLAJE DE LA CARCASA	1
28	N459403	JUNTA TÓRICA	1
30	N463057	VÁLVULA DE CONTRAFLUJO	1
31	N472297	GATILLO	1
32	N459404	JUNTA TÓRICA	1
33	N463052	FIELTRO DEL ENGRASADOR	1
36	N539593	JUNTA	1
37	N463044	VÁLVULA DEL ACELERADOR	1
38	N463048	RESORTE DE LA VÁLVULA	1
39	N459395	PLACA DEL ESCAPE	1
40	N463055	ENTRADA DE AIRE	1
41	N471026	RESORTE DE SEGURIDAD	1
42	N471025	RETÉN DE BOLA	1
43	86459	JUNTA TÓRICA	1
44	N486148	CONJUNTO DE YUNQUE EXTENDIDO (INCLUYE 6, 7)	
6	086947.00	ARANDELA ELÁSTICA	1
7	50056.00	JUNTA TÓRICA	1

GARANTÍA LIMITADA

Garantizamos que esta herramienta estará libre de defectos de fabricación por un período por UN AÑO desde la fecha de compra original. Nuestra obligación para con el comprador original se limita a reparar o reemplazar, a nuestra costa (sin incluir gastos de envío) una herramienta defectuosa si es devuelta por el comprador original dentro del plazo por un año a partir de la fecha de compra, prepagados todos los gastos de envío entrantes. ESTA GARANTÍA NO CUBRE DEFECTOS O DAÑOS A LA HERRAMIENTA (i) después de que expire el periodo de garantía, (ii) como resultado de uso inadecuado u operación anormal, (iii) como resultado de fallar en lubricar, mantener y operar la herramienta adecuadamente, o (iv) como resultado de cualquiera de los servicios de reparación o mantenimiento realizados por cualquier persona o entidad que no sea Mac Tools en todos los Centros de Servicio de Mac Tools o una persona autorizada por Mac Tools para ofrecer servicios de reparación y mantenimiento de esta herramienta. SE OTORGA ESTA GARANTÍA LIMITADA EN LUGAR DE TODAS LAS OTRAS, INCLUIDAS LA GARANTÍA IMPLÍCITA DE COMERCIABILIDAD O IDONEIDAD PARA UN PROPÓSITO EN PARTICULAR, Y EXCLUYE TODOS LOS DAÑOS INCIDENTALES O RESULTANTES. Algunos estados no permiten las limitaciones al plazo de una garantía implícita, o la exclusión o limitación de daños incidentales o resultantes, por lo que estas limitaciones pueden no ser de aplicación para usted. Esta garantía le proporciona derechos legales específicos y usted puede tener otros derechos que varían en ciertos estados o provincias.

SERVICIO A CLIENTES

Nosotros en Mac Tools estamos comprometidos con nuestros clientes, por favor diríjase al siguiente número de teléfono para ponerse en contacto con un de nuestros técnicos para clientes. Ellos estarán más que contentos en ayudarlo con cualquier otra pregunta del servicio y la garantía que pueda tener acerca su herramienta eléctrica.

MACTOOLS.COM | Mac Tools • 505 North Cleveland Avenue • Westerville, Ohio 43082 | 800.MACTOOLS

Mac Tools-Europe, Stanley Black & Decker Inc. • Unit 3, Europa Court
Sheffield Business Park • Sheffield, S9 1XE | 0114 2917266

DECLARACIÓN DE CONFORMIDAD DE LA CE

NOSOTROS, **MAC TOOLS**, EUROPE-STANLEY BLACK & DECKER, INC. EUROPA COURT, SHEFFIELD BUSINESS PARK, SHEFFIELD S9 1XE, UNITED KINGDOM DECLARAMOS BAJO NUESTRA PROPIA RESPONSABILIDAD QUE EL PRODUCTO Y **MPF970501 – LLAVE DE IMPACTO DE ALUMINIO DE 1.27 MM and MPF972501 – LLAVE DE IMPACTO DE ALUMINIO DE 1.27 MM YUNQUE EXTENDIDO DE 50.8 MM**

- ES DE CONFORMIDAD CON LA DIRECTIVA SOBRE MÁQUINAS 2006/42/EC
- Y ES EN CONFORMIDAD CON LAS PROVISIONES DEL ESTÁNDAR EUROPEO ARMONIZADO EN ISO 11148-6: 2012

EL ABAJO FIRMANTE ES RESPONSABLE DE LA COMPILACIÓN DEL ARCHIVO TÉCNICO Y HACE ESTA DECLARACIÓN EN NOMBRE DE LAS HERRAMIENTAS MAC.



Markus Rompel
Director de Ingeniería
25.04.2017



MPF970501

MPF972501

Guide D'utilisation



AVERTISSEMENT

Pour réduire tout risque de dommages corporels, lire et comprendre ces consignes et avertissements relatifs à la sécurité avant toute utilisation de l'outil. Conserver ces instructions avec l'outil pour toute future référence. En cas de questions, contacter un représentant **MAC TOOLS** ou l'un de ses distributeurs.

© 2018 Mac Tools

Clé à chocs en aluminium avec prise de 12.7 mm (1/2 po)

Clé à chocs en aluminium avec prise de 12.7 mm (1/2 po) et enclume prolongée 50,8 mm (2po)

TABLE DES MATIÈRES

Introduction	26
Consignes de sécurité	27 - 31
Entretien	31
Caractéristiques techniques	33
Description de l'outil	34, 35
Service clientèle	36

INTRODUCTION

Les clés à chocs **Mac Tools^{MC} MPF970501 et MPF972501** sont des outils de grande précision conçus pour l'entraînement, le serrage et le desserrage des fixations filetées, habituellement des écrous et des boulons, lorsqu'elles sont équipées d'une douille à chocs appropriée. Ces outils assurent un service efficace et fiable s'ils sont utilisés correctement et avec soin. Ces outils fournira des services efficaces et fiables dans la mesure où il sera utilisé correctement et avec précaution. Comme pour tout outil électrique de précision, pour des performances optimales, suivre les instructions du fabricant. Il est recommandé d'étudier ce guide d'utilisation avant toute utilisation de l'outil et d'en comprendre les consignes et avertissements relatifs à la sécurité. Les instructions d'installation, d'utilisation et de maintenance doivent être lues attentivement, et les guides d'utilisation conservés pour référence. **REMARQUE** : des mesures de sécurité additionnelles pourraient être requises pour une utilisation particulière de l'outil. Pour toute question relative à cet outil et à son utilisation, contacter votre distributeur **Mac Tools**.

MACTOOLS.COM | Mac Tools • 505 North Cleveland Avenue • Westerville, Ohio 43082 | 800.MACTOOLS

Mac Tools-Europe, Stanley Black & Decker Inc. • Unit 3, Europa Court
Sheffield Business Park • Sheffield, S9 1XE | 0114 2917266

AVERTISSEMENT

CONSIGNES DE SÉCURITÉ IMPORTANTES CI-INCLUSES. LIRE CE GUIDE
D'UTILISATION AVANT TOUTE UTILISATION DE L'OUTIL.
CONSERVEZ POUR RÉFÉRENCE FUTURE

RISQUES DE DOMMAGES CORPORELS EN CAS DE NON-RESPECT DE CES DIRECTIVES.



Ne pas utiliser de tuyaux ou raccords endommagés, détériorés ou fissurés.



Les outils à air comprimé peuvent vibrer pendant leur utilisation. Les vibrations, actions répétitives ou positions inconfortables peuvent être nocives pour les bras et les mains. Discontinuer l'utilisation de l'outil en cas d'inconfort, de picotements ou de douleurs. Consulter un médecin avant d'en reprendre l'utilisation.



Ne pas transporter l'outil par son tuyau à air.



Maintenir une posture équilibrée et ferme. Ne pas effectuer de travaux hors de portée avec cet outil.



Arrêter l'arrivée d'air et déconnecter le tuyau d'air comprimé avant d'installer, de retirer ou d'ajuster tout accessoire sur cet outil, ou avant d'effectuer toute maintenance sur l'outil.



Utilisez des équipements de protection tels que lunettes, gants, chaussures de sécurité, ainsi que de la protection acoustique. Restez vigilant, faites preuve de bon sens et soyez prudent lors de l'utilisation de l'outil.



Portez toujours une protection oculaire ANSI Z87.1 CAN CSA Z94.3 ou pour l'Europe, une protection oculaire présentant la marque CE adéquate lors de l'utilisation ou de l'entretien sur cet outil.



Portez toujours une protection respiratoire adéquate lors de l'utilisation de l'outil.



Utiliser à une pression d'air maximum de 6,2 bars/620 kPa (90 psi).



N'ajoutez pas trop d'huile ni de produits pétroliers lourds puisque cela pourrait entraîner un calage ou un faible rendement.



AVERTISSEMENT! Lire tous les avertissements de sécurité et toutes les directives. Le non-respect des avertissements et des directives pourrait se solder par un choc électrique, un incendie et/ou une blessure grave.

Porter un équipement de protection individuelle. Utiliser un masque facial, des lunettes de sécurité ou des lunettes protectrices en fonction de l'application. Au besoin, porter un masque antipoussières, des protecteurs auditifs, des gants et un tablier d'atelier capable d'arrêter de petits fragments d'abrasifs ou de pièces. La protection oculaire doit être en mesure d'arrêter tout débris produit par les diverses opérations et le masque antipoussières ou le respirateur, de filtrer les particules produites par l'opération en cours. Une exposition prolongée à un bruit d'intensité élevée pourrait causer une perte auditive. Les lunettes courantes NE sont PAS des lunettes de protection. Utiliser aussi un masque antipoussières si la découpe doit en produire beaucoup. **PORTER SYSTÉMATIQUEMENT UN ÉQUIPEMENT DE SÉCURITÉ HOMOLOGUÉ :**

- Protection oculaire ANSI Z87.1 (CAN/CSA Z94.3) ;
- Protection auditive ANSI S12.6 (S3.19) ;
- Protection des voies respiratoires NIOSH/OSHA/MSHA.

1) SÉCURITÉ DU LIEU DE TRAVAIL

- Tenir l'aire de travail propre et bien éclairée. Les lieux encombrés ou sombres sont propices aux accidents. Faire attention à ce qui vous entoure, aux surfaces glissantes créées par l'utilisation de cet outil et aussi au risque de chute provoqué par les conduites d'air.
- Ne pas faire fonctionner d'outils pneumatiques dans un milieu déflagrant, tel qu'en présence de liquides, de gaz ou de poussières inflammables. Les outils pneumatiques produisent des étincelles qui pourraient enflammer la poussière ou les vapeurs.
- Ne pas utiliser dans des conditions humides.
- Éloigner les enfants et les personnes à proximité pendant l'utilisation d'un outil électrique. Une distraction pourrait en faire perdre la maîtrise à l'utilisateur.

2) SÉCURITÉ PERSONNELLE

- Être vigilant, surveiller le travail effectué et faire preuve de jugement lorsqu'un outil électrique est utilisé. Ne pas utiliser d'outil électrique en cas de fatigue ou sous l'influence de drogues, d'alcool ou de médicaments. Un simple moment d'inattention en utilisant un outil électrique peut entraîner des blessures corporelles graves.
- Empêcher les démarrages intempestifs. S'assurer que l'interrupteur se trouve à la position d'arrêt avant de relier l'outil à une source d'alimentation et/ou d'insérer un bloc-piles, de ramasser ou de transporter l'outil. Transporter un outil électrique alors que le doigt repose sur l'interrupteur ou brancher un outil électrique dont l'interrupteur est à la position de marche risque de provoquer un accident.
- Une exposition à des niveaux de bruit élevés peut entraîner une perte auditive permanente et d'autres problèmes tels que l'acouphène (tintement, bourdonnement ou sifflement dans les oreilles). Par conséquent, l'évaluation des risques et la mise en œuvre de contrôles adéquats de ces dangers sont essentielles. Les contrôles adéquats pour la réduction de ce risque peuvent comprendre des mesures telles que l'utilisation de matériaux amortisseurs pour empêcher les pièces de résonner.
- S'habiller de manière appropriée. Ne pas porter de vêtements amples ni de bijoux. Garder les cheveux, les vêtements et les gants à l'écart des pièces mobiles. Les vêtements amples, les gants avec revêtement en caoutchouc ou renforcés avec du métal, les gants avec doigts coupés ou effilochés ainsi que les bijoux ou cheveux longs peuvent être pris dans des pièces mobiles.
- Gardez les mains et les autres parties du corps, les vêtements amples et les cheveux longs loin de l'extrémité mobile de l'outil.
- Anticiper et être prêt à tout changement soudain de course lors du démarrage et du fonctionnement de tous les outils pneumatiques.
- Les opérateurs et le personnel d'entretien doivent être physiquement en mesure de traiter le volume, le poids et la puissance de l'outil.
- Maintenir une posture équilibrée et ferme. Ne pas effectuer de travaux hors de portée avec cet outil.
- Ne pas utiliser cet outil de façon prolongée. Les vibrations causées par l'outil peuvent être nocives pour les mains ou les bras. Tenir l'outil de manière légère mais néanmoins sécuritairement, tout en tenant compte des forces de réaction de la main requises. Discontinuer l'utilisation de l'outil en cas d'inconfort, de picotements ou de douleurs. Consulter un médecin avant d'en reprendre l'utilisation.
- Esta herramienta no está aislada contra descargas eléctricas, el contacto con un cable vivo transmitirá la corriente a las piezas expuestas de metal.

- Cet outil n'est pas isolé contre les décharges électriques, le contact avec un fil sous tension engendre également la mise sous tension des surfaces métalliques.
- Pour les États-Unis : Certaines poussières produites par les travaux de ponçage, de sciage, de meulage, de perçage, d'écaillage et autres contiennent des produits chimiques reconnus par l'État de la Californie pour causer le cancer, des anomalies congénitales ou d'autres problèmes liés aux fonctions reproductrices.

Exemples de substances chimiques :

- plomb provenant de peintures à base de plomb;
- silice cristallisée issue des briques, du ciment et autres produits de maçonnerie, ainsi que
- arsenic et chrome provenant de bois traité chimiquement.

Le risque d'exposition dépend de votre fréquence de travail sur ce type d'activité.

Pour minimiser vos risques d'exposition, il est conseillé de : travailler dans une zone bien ventilée, et de travailler avec du matériel de sécurité approuvé, tels que des masques anti-poussière, conçus spécialement pour filtrer les particules microscopiques

- De par la poussière créée lors de l'utilisation de l'outil, l'évaluation des risques et la mise en œuvre de contrôles adéquats de ces dangers sont essentielles.
- Les accessoires et les outils peuvent devenir chauds en cours de fonctionnement. Pour les toucher, porter des gants. S'assurer que l'outil n'est pas en marche lors du changement des accessoires.
- L'outil ne doit pas être utilisé en présence de tiers. Toute personne qui entre dans l'aire de travail doit porter de l'équipement de protection personnelle. Des fragments de matériaux ou d'accessoires brisés peuvent être projetés au-delà de l'aire immédiate de travail et causer des blessures.
- Ne dirigez jamais l'air sur vous-même ou quelqu'un d'autre, ou des blessures graves pourraient en résulter.
- Portez des vêtements chauds chaque fois que vous travaillez dans des conditions froides et gardez vos mains au sec et au chaud.
- Le fouettage de tuyaux peut causer des blessures graves. Assurez-vous toujours que les tuyaux et les raccords ne sont pas lâches ou endommagés.
- Éviter le contact prolongé avec la poussière provenant du ponçage, du sciage, du meulage et du forage mécanique ainsi que d'autres activités de construction. Porter des vêtements de protection et laver les parties exposées au savon et à l'eau. La poussière qui pourrait pénétrer dans la bouche et les yeux ou se déposer sur la peau peut favoriser l'absorption de produits chimiques nocifs.
- Cet outil peut produire et répandre de la poussière susceptible de causer des dommages sérieux et permanents au système respiratoire. Toujours utiliser un appareil respiratoire anti-poussières approuvé par le NIOSH ou l'OSHA. Diriger les particules dans le sens opposé du visage et du corps..
- Ranger les outils électriques hors de la portée des enfants et ne permettre à aucune personne n'étant pas familière avec un outil électrique ou son mode d'emploi d'utiliser cet outil. Les outils électriques deviennent dangereux entre les mains d'utilisateurs inexpérimentés.
- Ce produit est susceptible de contenir une ou plusieurs substances chimiques reconnues par l'État de la Californie comme facteurs potentiels de cancer et de malformations congénitales ou d'autres dommages reproducteurs. Se laver soigneusement les mains après toute manipulation.
- Ne laissez pas les enfants toucher à l'outil. Les opérateurs inexpérimentés doivent être supervisés lorsqu'ils utilisent cet outil.
- Ne pas modifier cette scie. Les modifications peuvent réduire l'efficacité des mesures de sécurité et augmenter les risques pour l'utilisateur.
- Ne jetez pas les consignes de sécurité ; donnez-les à l'opérateur.
- N'utilisez pas l'outil s'il a été endommagé.
- Soyez conscient que le bris de la pièce ou des accessoires, ou même de l'outil lui-même peut générer des projectiles à grande vitesse.
- Ce produit n'est pas destiné à être utilisé par des personnes (y compris les enfants) souffrant de capacités physiques, sensorielles ou mentales réduites; d'un manque d'expérience, de connaissances ou de compétences à moins qu'elles soient supervisées par une personne responsable de leur sécurité. Les enfants ne doivent jamais être laissés seuls avec ce produit. Cet outil et ses accessoires doivent être utilisés en conformité avec ces instructions. L'utiliser à d'autres fins peut causer un risque de danger pour les personnes et l'environnement.
- Seuls le personnel qualifié et les opérateurs formés doivent installer, ajuster ou utiliser l'outil.
- Pour les travaux situés au-dessus du niveau de la tête, portez un casque de sécurité.
- Dirigez l'échappement afin de réduire au minimum la perturbation de poussière dans un environnement rempli de poussière. Ne pas diriger l'échappement de l'air vers les mains.
- Aux endroits où il y a présence de poussière ou de vapeurs, la priorité doit être accordée au contrôle du point d'émission.
- Tous les éléments intégrés ou les accessoires pour la collecte, l'extraction ou la suppression de la poussière

ou de la fumée en suspension doivent être correctement utilisés et entretenus conformément aux instructions du fabricant.

- Toujours faire fonctionner, inspecter et entretenir cet outil conformément au code de l'American National Standards Institut du code de sécurité pour les outils pneumatiques portatifs (ANSI B186-1) ainsi que les autres codes et règlements de sécurité applicables.
- Ne laissez pas l'outil fonctionner librement si une douille est installée dessus.

3) CONSIGNES DE SÉCURITÉ ADDITIONNELLES POUR LES CLÉS À CHOCS



- N'utilisez que des douilles et des rallonges d'outils à chocs recommandées par Mac Tools. Examinez les accessoires avant de les utiliser. N'utilisez pas d'accessoires fissurés ou endommagés. N'utilisez pas de douilles chromées, de douilles pour clés à main ni aucun autre accessoire qui n'est pas conçu pour l'utilisation avec un outil à chocs.
- L'alimentation de l'outil est contrôlée par la pression exercée sur la gâchette, saisissez fermement l'outil et appuyez sur la gâchette pour l'utiliser.
- Ne pas utiliser les douilles très usées sur les prises d'entraînement ou de sortie. Vérifiez périodiquement le carré d'entraînement sur la clé à choc. S'assurer que la douille, la rallonge ou autre accessoire est bien assujéti avant d'utiliser l'outil.
- Pour desserrer les fixations, s'assurer qu'il y a suffisamment d'espace derrière l'outil pour éviter de se coincer les mains. L'outil s'éloigne du joint fileté lorsque l'écrou ou le boulon est desserré et remonte le fil, déplaçant l'outil dans son mouvement. Assurez-vous que vos mains sont tenues à l'écart des douilles lorsque vous utilisez l'outil.
- Fixer la douille ou l'accessoire solidement sur la clé à chocs. Examinez l'enclume et la bague de roulement de l'outil avant de l'utiliser. Les éléments endommagés ou manquants doivent être remplacés avant l'utilisation.
- S'assurer que l'interrupteur Avant/arrière est à la position appropriée pour visser ou dévisser l'attache.
- L'écrou ou le boulon peut ensuite être vissé sur le filetage à l'aide de l'entraînement de l'outil. L'outil peut être utilisé sur la position Inverser pour dévisser un joint.
- Il est recommandé d'utiliser un raccord de tuyau fileté en acier trempé (ou un autre matériau doté d'une résistance aux chocs comparable) (Fig 4).

4) UTILISATION ET ENTRETIEN D'UN OUTIL ÉLECTRIQUE

- Avant de faire fonctionner l'outil, assurez-vous qu'il n'y a pas d'interaction dangereuse avec l'environnement immédiat (des gaz explosifs, inflammables ou du liquide dangereux, des canalisations inconnues, du revêtement ou de l'isolation de câbles électriques, du câble, etc.).
- Avant de brancher l'outil à l'entrée d'air, assurez-vous que la gâchette n'est pas bloquée en position de fonctionnement par un obstacle.
- En cas de blocage, relâchez la gâchette et déconnectez l'outil du réseau d'air comprimé.
- Assurez-vous que l'unité sur laquelle le travail est effectué est immobilisée.
- Utilisez, inspectez et entretenez toujours cet outil en conformité avec tous les règlements (locaux, provinciaux, fédéraux et du pays), qui peuvent s'appliquer aux outils pneumatiques actionnés/utilisés à la main.
- Pour votre sécurité, des performances optimales et une durée de vie maximale des pièces, utiliser cet outil à une pression d'air maximum de 6,2 bars/620 kPa (90 psi) à l'arrivée d'un tuyau à air de 10 mm (3/8 po) de diamètre interne.
- Utilisez toujours de l'air propre et sec. La poussière, les vapeurs corrosives et/ou l'humidité excessive peuvent ruiner le moteur d'un outil pneumatique.
- Dépassez la pression maximale de 90 psi (6.2 bar/620 kPa) entraîne le risque de danger comme la vitesse excessive, l'usure de l'outil, la rupture de pièces, un couple plus élevé ou une puissance qui peut détruire l'outil et ses accessoires ou la pièce travaillée.
- Entretien des outils pneumatiques. Vérifier si les pièces mobiles sont mal alignées ou coincées, si des pièces sont brisées ou présentent toute autre condition susceptible de nuire au bon fonctionnement de l'outil électrique. En cas de dommage, faire réparer l'outil électrique avant toute nouvelle utilisation. Beaucoup d'accidents sont causés par des outils pneumatiques mal entretenus.

- Utiliser exclusivement des accessoires à percussion recommandés par Mac Tools. Inspecter les accessoires avant toute utilisation. Ne pas utiliser d'accessoires fissurés ou endommagés. En effet, il est parfois possible de fixer un accessoire à l'outil électrique; toutefois, cela ne garantit pas une utilisation sécuritaire.
- Utiliser l'outil électrique, les accessoires, les forets, etc. conformément aux présentes directives en tenant compte des conditions de travail et du travail à effectuer. L'utilisation d'un outil électrique pour toute opération autre que celle pour laquelle il a été conçu est dangereuse.
- S'assurer que les étincelles et les débris provenant de l'utilisation ne présentent pas de dangers.
- L'outil pneumatique doit être raccordé au réseau d'air comprimé par l'intermédiaire de raccords à débranchement rapide pour faciliter l'arrêt en cas de danger.
- Lorsque la durée de vie utile de l'outil a expiré, il est recommandé que l'outil soit démonté, dégraissé et que les pièces soient séparées par matériaux afin qu'elles puissent être recyclées.
- Arrêter l'arrivée d'air et déconnecter le tuyau d'air comprimé avant d'installer, de retirer ou d'ajuster tout accessoire sur cet outil, ou avant d'effectuer toute maintenance sur l'outil.
- Ne pas utiliser de tuyaux ou raccords endommagés, détériorés ou fissurés. N'utilisez pas de manière abusive les tuyaux ou les raccords.
- Ne pas lubrifier les outils avec des liquides inflammables ou volatils tels que kérosène, diesel ou carburéacteur.
- Ne retirer aucune étiquette. Inspecter de manière périodique les étiquettes pour s'assurer que toutes les inscriptions sont toujours lisibles. Remplacer toute étiquette endommagée.
- N'utilisez pas l'outil si sa gâchette ne permet pas de le mettre en marche et de l'arrêter.
- Ne bloquez et ne fixez pas à l'aide de ruban ou de fils la gâchette « marche/arrêt » en position « marche », la gâchette doit pouvoir retourner librement à la position « arrêt » lorsqu'elle est relâchée.
- S'assurer que tout tuyau ou raccord est de la taille correcte et soigneusement arrimé
- L'utilisation d'un tuyau flexible est recommandée. Un coupleur directement connecté à une embouchure d'air augmentera la masse de l'outil et diminuera sa maniabilité.
- Pour optimiser les performances, le coupleur à air mural devrait être de la taille tout de suite supérieure au coupleur à air utilisé avec l'outil. Le coupleur le plus proche de l'outil ne devrait pas être inférieur à la taille correcte du tuyau à air comprimé.
- Sécurisez et fixez la pièce à travailler sur une surface stable à l'aide d'un serre-joint ou de tout autre outil. Il est déconseillé de tenir la pièce à la main ou contre le corps pour des raisons d'instabilité, pouvant aller jusqu'à une perte de contrôle.
- Lorsque non utilisé, déconnectez l'outil de l'alimentation d'air pour prévenir l'utilisation non autorisée ou accidentelle en l'absence de l'opérateur.
- Ne pas altérer les pièces, les composants ou les accessoires de cet outil, d'aucune façon que ce soit.
- Des débris obstruent parfois le filtre d'aspiration à tamis au niveau de l'entrée d'air, ce qui bloque l'alimentation d'air et diminue les performances de l'outil. Si cela se produit, il faut nettoyer le filtre d'aspiration à tamis.
- Ranger les outils électriques hors de la portée des enfants et ne permettre à aucune personne n'étant pas familière avec un outil électrique ou son mode d'emploi d'utiliser cet outil. Les outils électriques deviennent dangereux entre les mains d'utilisateurs inexpérimentés.
- Placez l'outil sur le boulon ou l'écrou avant de le mettre en marche. Ne pointez pas ou ne vous livrez pas à des jeux brutaux avec cet outil.

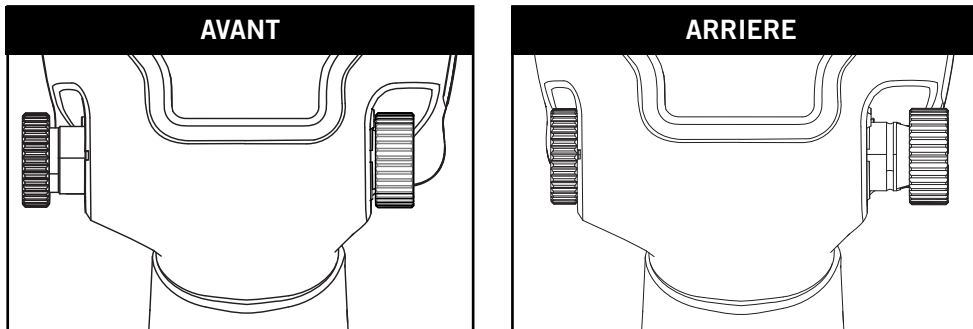
GÂCHETTE À VITESSE VARIABLE

Pour mettre l'outil en marche, appuyez sur la gâchette (A). Pour arrêter l'outil, relâchez la gâchette. Votre outil est équipé d'un frein. Plus vous appuyez sur la gâchette, plus l'outil tourne rapidement.

LE BOUTON DE COMMANDE DE VITESSE ET DE MARCHÉ AVANT/ARRIÈRE

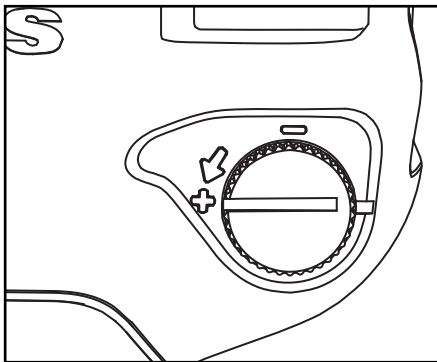
Le bouton de commande de vitesse et de marche avant/arrière (Fig. 1) détermine le sens de fonctionnement de l'outil et sert également de commande de vitesse variable. Pour sélectionner la rotation avant, appuyer sur le bouton latéral du côté droit de l'outil comme indiqué. Pour sélectionner la rotation arrière, appuyer sur le bouton latéral du côté gauche de l'outil comme indiqué.

Fig. 1



La vitesse variable de la rotation avant peut être ajustée en tournant le bouton de faible à élever, comme illustré. Pour un couple maximum de marche avant (Fig. 2), tournez le bouton jusqu'à ce que la ligne témoin corresponde au symbole '+'. Pour un faible couple de marche avant, tournez le bouton jusqu'à ce que la ligne témoin corresponde au symbole '-'.

Fig. 2



5) ENTRETEIN

- L'entretien de l'outil doit être effectué par un personnel qualifié de réparation, en utilisant uniquement des pièces de rechange identiques autorisées par Mac Tools. N'utilisez que des lubrifiants recommandés par Mac Tools.

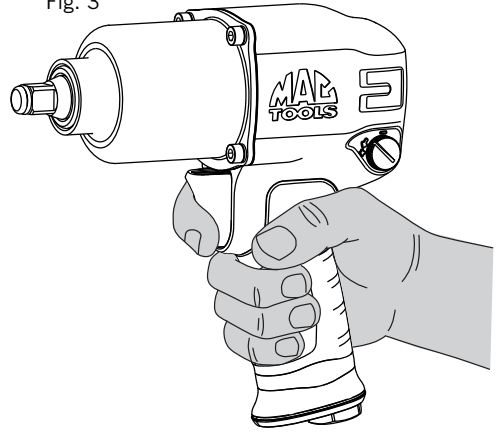
POSITIONNEMENT ADEQUAT DES MAINS

AVERTISSEMENT

Avertissement: Pour réduire tout risque de dommages corporels graves, adopter SYSTÉMATIQUEMENT la position des mains illustrée. (Fig. 3).

Avertissement: Pour réduire le risque de blessures corporelles graves, TOUJOURS tenir l'outil fermement en prévision d'une réaction soudaine.

Fig. 3



ENTRETIEN

Lubrification

Les outils pneumatiques doivent être lubrifiés pendant toute la durée de vie utile des outils.

Le mécanisme du marteau pneumatique utilise l'air comprimé pour alimenter l'outil. L'air comprimé contient de l'humidité qui rouillera les composants à l'intérieur des outils, par conséquent la lubrification est nécessaire tous les jours. Le défaut de ne pas lubrifier l'outil pneumatique correctement va considérablement réduire la durée de vie utile de l'outil et annulera la garantie

▲ MISE EN GARDE : Cet outil pneumatique exige une lubrification **AVANT** la première utilisation, également avant et après chaque utilisation.

Pour lubrifier l'outil pneumatique manuellement :

1. Déconnectez l'outil de la source d'alimentation d'air, placez ensuite l'entrée d'air vers le haut.
2. Appuyez sur la gâchette et mettez environ 5 à 10 gouttes (0.25 à 0.5 ml) d'huile pour outil pneumatique dans l'entrée d'air.

REMARQUE : Utilisez l'huile de poids n° 10 SAE si de l'huile pour outil pneumatique n'est pas disponible.

3. Retirez l'accessoire, connectez l'outil à une source d'air, puis couvrez l'extrémité d'échappement avec une serviette et faites fonctionner l'outil pendant 2 à 3 secondes.

To lubricate internal mechanism:

Localiser le raccord de graissage à l'arrière de l'outil. Injectez 4 cm³ de graisse pour outils à chocs approuvée par MAC Tools dans le raccord à tous les 3 à 6 mois selon l'utilisation.

▲ AVERTISSEMENT: Gardez hors de la portée des enfants. Si de l'huile à outil pneumatique est ingérée, ne pas faire vomir, appeler un médecin immédiatement.

▲ AVERTISSEMENT: L'excès d'huile dans l'outil est immédiatement expulsé de l'orifice d'échappement. Dirigez toujours l'orifice d'échappement loin des personnes ou des objets.

REMARQUE : Vérifier la vitesse et faire une vérification simple du niveau de vibration après chaque utilisation.

Rangement :

L'outil pneumatique doit être lubrifié avant d'être rangé. Suivez les instructions "Lubrification", à l'exception de l'étape 3.

Utiliser systématiquement un lubrificateur pour ligne d'air avec cet outil. N'ajoutez pas trop d'huile ni de produits pétroliers lourds puisque cela pourrait entraîner un calage ou un faible rendement.

MISE EN SERVICE DE L'OUTIL

Fig. 4

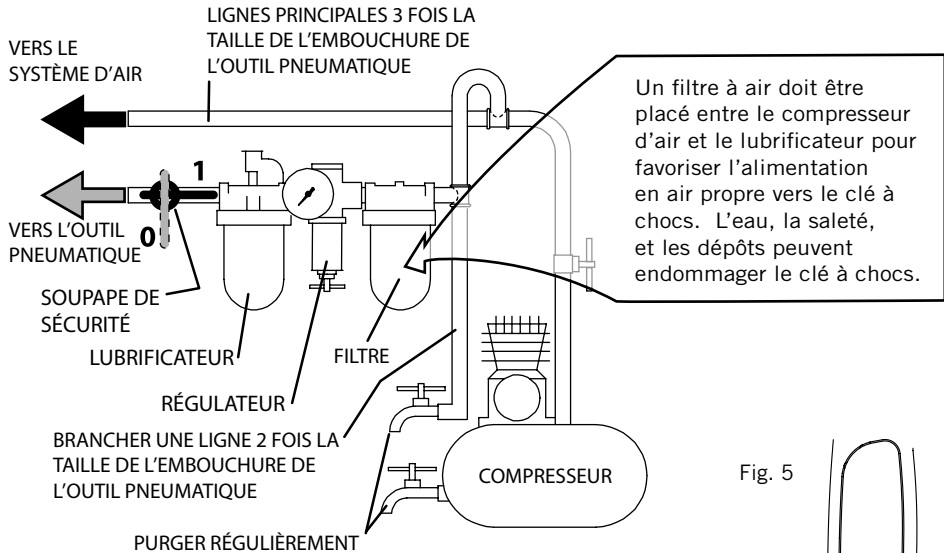
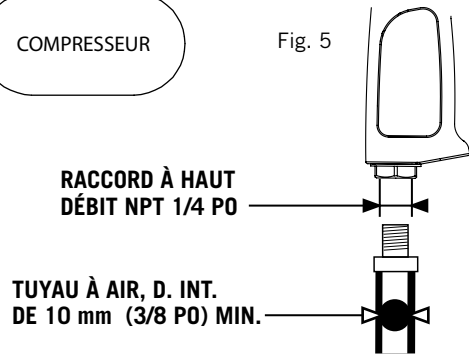


Fig. 5



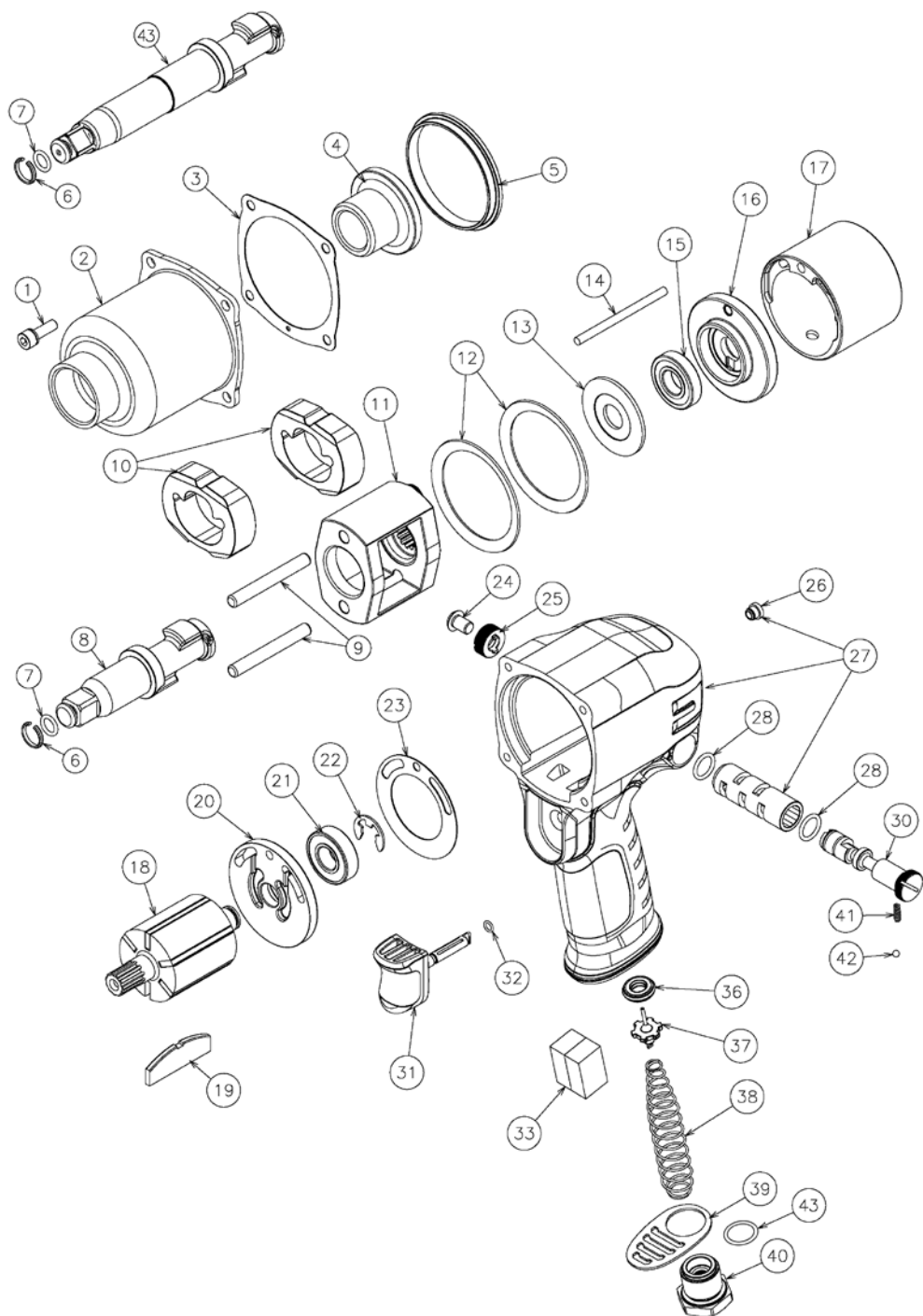
CARACTÉRISTIQUES TECHNIQUES

Modèle n°	Prise carrée in / mm	Taux d'impact bpm	Couple de démarrage ft-lbs / Nm	Niveau de bruit (ISO 15744)			
				Pression dB(A)		Puissance dB(A)	
MPF970501	.5 / 13	1030 / 1120	1100 / 1490	90	3*	101	3*
MPF972501	.5 / 13	1010 / 1060	1100 / 1490	90	3*	101	3*

Modèle n°	Niveau de vibrations (ISO 28927-2)		Consommation moyenne d'air cfm / l/min	Pression de service psi / bar	Poids lbs / kg	Dimensions in / mm
	m/s ²					
MPF970501	5.2	1.5**	5.2 / 147.2	90 / 6.2	6.2 / 2.8	7.5 x 2.8 x 7.6 / 190 x 70 x 193
MPF972501	5.2	1.5**	5.2 / 147.2	90 / 6.2	6.4 / 2.9	9.6 x 2.8 x 7.6 / 243 x 70 x 193

* = Incertitude d'évaluation en dB(A)

** = Incertitude d'évaluation en m/s²



PRODUIT N°	PIÈCE N°	DESCRIPTION	QTE
	MPF970501	CLÉ À CHOCS EN ALUMINIUM AVEC PRISE DE 12.7 MM (1/2 PO)	
	MPF972501	CLÉ À CHOCS EN ALUMINIUM AVEC PRISE DE 12.7 MM (1/2 PO) ET ENCLUME PROLONGÉE 5 CM (2PO)	
1	N463078	VIS	1
2	N463073	ASSEMBLAGE DE BOÎTIER À MARTEAU	1
3	N463075	JOINT	1
4	N463074	DOUILLE	1
5	N463077	DÉCOLLEUR	1
8	N459382	ASSEMBLAGE D'ENCLUME 12.7 MM (1/2PO) (INCLUANT 6, 7)	
6	086947.00	ANNEAU DE RETENUE	1
7	50056.00	JOINT TORIQUE	1
9	N459386	BROCHE	2
10	N470967	MARTEAU	2
11	N463069	CADRE	1
12	N462277	RONDELLE	1
13	N463071	RONDELLE ARRIÈRE	1
14	N463065	GOUPILLE DE POSITIONNEMENT	1
15	N463061	ROULEMENT À BILLES	1
16	N463066	PLAQUE D'EXTRÉMITÉ AVANT	1
17	N463064	CYLINDRE	1
18	N459389	ROTOR	1
19	N459388	AILETTE DE ROTOR	6

PRODUIT N°	PIÈCE N°	DESCRIPTION	QTE
20	N463067	PLAQUE D'EXTRÉMITÉ ARRIÈRE	1
21	N463062	ROULEMENT À BILLES	1
22	N463059	E-CLIP	1
23	N463068	JOINT	1
24	N463060	VIS	1
25	N463058	BOUTON	1
26	N463039	RACCORD DE GRAISSAGE	1
27	N520498	BOÎTIER	1
28	N459403	JOINT TORIQUE	1
30	N463057	VALVE D'INVERSION	1
31	N472297	DÉTENTE	1
32	N459404	JOINT TORIQUE	1
33	N463052	FEUTRE LUBRIFICATEUR	1
36	N539593	JOINT	1
37	N463044	REGISTRE	1
38	N463048	RESSORT DE SOUPAPE	1
39	N459395	PLAQUE D'ÉCHAPPEMENT	1
40	N463055	ORIFICE D'AÉRATION	1
41	N471026	RESSORT À CLIQUET	1
42	N471025	DÉTENTE À BILLE	1
43	86459	JOINT TORIQUE	1
44	N486148	ASSEMBLAGE D'ENCLUME PROLONGÉE 12.7 MM (1/2PO) (INCLUANT 6, 7)	
6	086947.00	ANNEAU DE RETENUE	1
7	50056.00	JOINT TORIQUE	1

GARANTIE LIMITÉE

Nous garantissons que cet outil est exempt de tout défaut de fabrication pour une période de UN AN à compter de la date d'achat initiale. Nos obligations envers l'acheteur initial sont limitées à la réparation ou le remplacement, à nos frais (frais d'expédition exclus), d'un outil défectueux si ce dernier est retourné par l'acheteur initial dans le un an suivant la date d'achat, tous frais d'expédition à Stanley prépayés. CETTE GARANTIE NE S'APPLIQUE PAS AUX DÉFAUTS OU DOMMAGES CAUSÉS À L'OUTIL (i) après la date d'expiration de la garantie; (ii) résultant d'une utilisation abusive ou inappropriée; (iii) résultant d'un non-respect des consignes de lubrification, d'entretien ou d'utilisation de l'outil; ou (iv) résultant de tout service de réparation ou d'entretien réalisé par une personne autre qu'un employé Mac Tools. CETTE GARANTIE LIMITÉE REMPLACE TOUTES LES AUTRES, INCLUANT LA GARANTIE IMPLICITE DE COMMERCIALISATION ET D'ADAPTATION POUR UN BUT PARTICULIER, ET EXCLUT TOUS DOMMAGES ACCESSOIRES OU INDIRECTS. Certains États n'autorisent pas les restrictions sur la durée d'une garantie implicite ni l'exclusion ou la restriction des dommages accessoires ou indirects, auquel cas les restrictions du présent document pourraient ne pas être applicables. La présente garantie vous donne des droits juridiques spécifiques en plus d'autres droits éventuels qui varient selon l'État ou la province.

SERVICE CLIENTÈLE

Chez Mac Tools, nous sommes totalement dédiés à notre clientèle. Prendre note du numéro de téléphone suivant pour contacter directement l'un de nos techniciens. Ils seront ravis de vous aider pour toute question relative au service ou à la garantie, que vous pourrez vous poser sur votre outil électrique.

MACTOOLS.COM | Mac Tools • 505 North Cleveland Avenue • Westerville, Ohio 43082 | 800.MACTOOLS

Mac Tools-Europe, Stanley Black & Decker Inc. • Unit 3, Europa Court
Sheffield Business Park • Sheffield, S9 1XE | 0114 2917266

CERTIFICAT DE CONFORMITÉ CE

NOUS, **MAC TOOLS**, SITUÉ AU 505 NORTH CLEVELAND AVENUE, WESTERVILLE, OHIO 43082 ENGAGEONS NOTRE PROPRE RESPONSABILITÉ QUE **MPF970501 – CLÉ À CHOCS EN ALUMINIUM AVEC PRISE DE 12.7 MM AND MPF972501 – CLÉ À CHOCS EN ALUMINIUM AVEC PRISE DE 12.7 MM (1/2 PO) ET ENCLUME PROLONGÉE 50,8 MM**

- EST EN CONFORMITÉ AVEC LA DIRECTIVE "MACHINERIES" 2006/42/EC
- ET EST EN CONFORMITÉ AVEC LES DISPOSITIONS HARMONISÉES DES NORMES EUROPEENNES.
ISO 11148-6: 2012

LE SOUSSIGNÉ EST RESPONSABLE DE LA COMPILATION DU FICHIER TECHNIQUE ET FAIT CETTE DÉCLARATION AU NOM DE MAC TOOLS.



Markus Rompel
Directeur de l'Ingénierie
25.04.2017

CE



MPF970501
MPF972501
Bruksanvisningen



ADVARSEL

Les og forstå disse sikkerhetsadvarslene før du bruker verktøyet for å redusere risiko for skade. Oppbevar disse instruksjonene sammen med verktøyet for fremtidig bruk. Dersom du har spørsmål, kan du ta kontakt med **MAC TOOLS**-representanten eller leverandøren din.

© 2018 Mac Tools

1/2" Aluminium muttertrekker
1/2" Aluminium muttertrekker 2" forlenget ambolt

INNHold

Innledning	39
Sikkerhetsinstrukser	39 - 43
Vedlikehold	43
Spesifikasjoner	45
Verktøyskomponenter	46, 47
Kontaktinformasjon	48

ADVARSEL

VIKTIG SIKKERHETSINFORMASJON VEDLAGT.
LES DENNE HÅNDBOKEN FØR DU BRUKER VERKTØYET.
TA VARE PÅ DEN FOR FREMTIDIG REFERANSE

DERSOM DU IKKE FØLGER ADVARSLERNE NEDENFOR, KAN DETTE MEDFØRE PERSONSKADE.



Ikke bruk skadde, flisete eller nedslitte luftslanger og koblinger.



Trykkluftverktøy kan vibrere under bruk. Vibrasjon, gjentakelse av samme bevegelse eller ubehagelige posisjoner kan være skadelig for hendene og armene dine. Stopp bruken av et verktøy hvis du opplever ubehag, det prikker i hender og andre steder eller du får smerter. Kontakt lege før du fortsetter bruken av verktøyet.



Ikke løft verktøyet etter slangen..



Hold kroppen i god balanse, og se til at du står støtt. Ikke overstrekk deg når du bruker dette verktøyet.



Husk alltid å slå av lufttilførselen og koble fra slangen for lufttilførselen før du monterer, fjerner eller justerer tilbehør til verktøyet, eller før du foretar vedlikehold på verktøyet.



Bruk personlig verneutstyr, slik som briller, hansker, sikkerhetssko samt hørselvern.



Vær årvåken, bruk sunn fornuft og vær oppmerksom når du bruker verktøyet.



Du må alltid bruke vernebriller i samsvar med ANSI Z87.1 CAN CSA Z94.3 eller for Europa, egnet CE-merkede vernebriller når du bruker eller utfører vedlikehold på dette verktøyet.



Bruk alltid egnet pustevern når du bruker dette verktøyet. Operate at 90 psig (6.2 bar / 620 kPa) Maximum air pressure.



Bruk verktøyet ved maksimalt 90 psig (6,2 bar / 620 kPa) lufttrykk.



Pass på å ikke bruke for mye oljesmøring, og ikke bruk tung olje da dette kan medføre at verktøyet stopper eller gir redusert ytelse.

INNLEDNING

Mac Tools™ MPF970501 og MPF972501 muttertrekkere er presisjonsbygde verktøy, utviklet for å skru fast, stramme og løsne gjengede festeelementer, vanligvis muttere og bolter, når de utstyres med en passende pipenøkkelinnsats. Disse verktøyene vil gi effektiv og pålitelig ytelse når de brukes riktig og med omtanke. Disse verktøyene vil levere effektiv, pålitelig ytelse når de brukes korrekt og med omtanke. Som alt elektrisk verktøy må du følge instruksene fra produsenten for best ytelse. Vi ber deg lese denne håndboken før du begynner å bruke verktøyet og at du forsikrer deg om at du forstår advarslene og instruksjonene. Disse instruksene om montering, bruk og vedlikehold må leses nøye, og håndboken oppbevares for senere referanse. MERK: Ytterligere sikkerhetstiltak kan være nødvendige i samsvar med din bestemte bruk av verktøyet. Ta kontakt med representanten eller forhandleren av Mac Tools dersom du har spørsmål om verktøyet og bruken av det.

MACTOOLS.COM | Mac Tools • 505 North Cleveland Avenue • Westerville, Ohio 43082 | 800.MACTOOLS

Mac Tools-Europe, Stanley Black & Decker Inc. • Unit 3, Europa Court
Sheffield Business Park • Sheffield, Si 1XE | 0114 2917266

Generelle sikkerhetsadvarsler for elektriske verktøy



ADVARSEL! Les alle sikkerhetsadvarsler og alle instruksjoner. Manglende overholdelse av advarslene og instruksjonene kan resultere i elektrisk sjokk, ild og/eller alvorlig skade.

Bruk personlig verneutstyr. Avhengig av bruksområdet må det brukes ansiktsskjerm, sikkerhetsbriller eller vernebriller. Bruk også støvmaske, hørselvern, hansker og verkstedsforkle som kan stoppe små slipestykker eller fragmenter fra arbeidsstykket.

Øyebeskyttelsen må ha kapasitet til å stoppe flygende avfall som genereres i forskjellige operasjoner. Støvmasken eller pusteapparat må kunne filtrere partikler som generes av arbeidet. Eksponering for høy støy over lengre tid kan medføre hørselstap. Briller du bruker til daglig er IKKE vernebriller. Bruk også ansikts- eller støvmaske hvis kutteoperasjonen er støvete. BRUK BESTANDIG GODKJENT VERNEUTSTYR:

- ANSI Z87.1 øyebeskyttelse (CAN/CSA Z94.3)
- ANSI S12.6 (S3.19) hørselvern
- NIOSH/OSHA/MSHA åndedrettsbeskyttelse

1) SIKKERHET PÅ ARBEIDSMRÅDET

- Hold arbeidsområdet godt opplyst. Rotete eller mørke områder er en invitasjon til ulykker. Vær oppmerksom på omgivelsene dine, bruk av dette verktøyet kan føre til glatte overflater og medfører også snublefarer på grunn av luftledninger.
- Ikke bruk elektriske verktøy i eksplosive omgivelser, slik som i nærheten av antennelige væsker, gasser eller støv. Elektrisk verktøy skaper gnister som kan antenne støv eller gasser.
- Ikke bruk under våte forhold.
- Hold barn og tilskuere borte mens du bruker et elektrisk verktøy. Distraksjoner kan føre til at du mister kontrollen

2) PERSONLIG SIKKERHET

- Hold deg våken, hold øye med det du gjør og bruk sunn fornuft når du bruker et elektrisk verktøy. Ikke bruk et elektrisk verktøy dersom du er trøtt eller er påvirket av medikamenter, narkotika eller alkohol. Ett øyeblikks uoppmerksomhet under bruk av elektriske verktøy kan føre til alvorlig personskade.
- Sørg for at verktøyet ikke kan startes utilsiktet. Påse at utløseren er i av-posisjon før du kobler til luftkilde, plukker opp eller bærer verktøyet rundt. Å bære elektroverktøy med fingeren på bryteren eller å sette strøm på elektroverktøy som er slått på, er å invitere til ulykker.
- Eksponering for høye støynivåer kan forårsake permanent, funksjonshemmende hørselstap og andre problemer, slik som tinnitus (ringing, summing eller piping i ørene). En risikovurdering og iverksetting av egnede kontroller for disse farene er derfor avgjørende. Riktige kontroller for å redusere risikoen kan inkludere handlinger som demping av materialer for å hindre at arbeidsstykkene vil ringe.

- Kle deg ordentlig. Ikke bruk løse klær eller smykker. Hold hår, klær og hansker unna bevegelige deler. Løse klær, hansker med gummibelegg eller metallforsterkninger, hansker som har kutt eller tjafser på fingrene, smykker eller langt hår kan sette seg fast i bevegelige deler.
- Hold hender og andre kroppsdeler, løse klær og langt hår unna den bevegelige enden av verktøyet.
- Du må være oppmerksom på og på vakt mot plutselige endringer i bevegelsen under oppstart og bruk av elektroverktøy.
- Operatører og vedlikeholdspersonale må fysisk være i stand til å håndtere formen, vekten og kraften til verktøyet.
- Hold kroppen i god balanse, og se til at du står støtt. Ikke overstrekk deg når du bruker dette verktøyet.
- Ikke bruk dette verktøyet i langer perioder om gangen. Vibrasjoner fra verktøyet kan være skadelig for hendene og armene dine. Hold verktøyet med et lett, men fast grep, og ta kreftene fra de nødvendige hånddreksjonene med i beregningen. Stopp bruken av et verktøy hvis du opplever ubehag, det prikker i hender og andre steder eller du får smerter. Kontakt lege før du fortsetter bruken av verktøyet.
- For USA: Noe støv som dannes av pussemaskin, ved saging, sliping, boring, høvling og andre byggeaktiviteter, inneholder kjemikalier som man i staten California vet forårsaker kreft, fosterskader eller andre reproduksjonsskader. Noen eksempler på slike kjemikalier er:
 - bly fra bly-basert maling,
 - krystallinsk silikat fra murstein og sement og andre murprodukter, og
 - arsen og krom fra kjemisk behandlet treverk.

Din risiko fra denne eksponeringen varierer og avhenger av hvor ofte du gjør denne typen arbeid. For å redusere eksponeringen mot disse kjemikaliene: arbeid i et godt ventilert område og arbeid med godkjent verneutstyr, slik som de støvmaskene som er spesialkonstruert for å filtrere bort mikroskopiske partikler.

- På grunn av støvet som skapes når du bruker verktøyet, er det viktig at en risikovurdering og iverksettelse av egnede kontrollmekanismer for disse farene utføres.
- Tilbehør og verktøyet kan bli varmt under drift. Bruk hansker når du tar på disse delene. Pass på at verktøyet er skrudd av når du skifter tilbehør.
- Hold andre tilstedeværende i trygg avstand fra arbeidsområdet. Alle som går inn i arbeidsområdet må bruke personlig verneutstyr. Fragmenter fra arbeidsstykket eller knekt tilbehør kan fly av gårde og forårsake personskade utenfor det umiddelbare arbeidsområdet.
- Du må aldri rette luften mot deg selv eller noen andre, da det kan føre til alvorlig personskade.
- Bruk varme klær når du arbeider under kalde forhold, og hold hendene varme og tørre.
- Piskende slanger kan forårsake alvorlig personskade. Du må alltid kontrollere at det ikke er skadde eller løse slanger og koblinger.
- Unngå langvarig kontakt med støv fra pussing, saging, sliping, boring, høvling og andre byggeaktiviteter. Bruk verneklær og vask eksponerte områder med såpe og vann. Å la støv komme inn i munnen din eller øynene eller ligge på huden kan fremme opptak av skadelige kjemikalier.
- Bruk av dette verktøyet kan generere og/eller spre støv, som kan forårsake alvorlig og permanent skade på åndedrett eller annen personskade. Du må alltid bruke NIOSH/OSHA-godkjent pustevern og oppsugings-systemer som er egnet for støveksponeringen. Rett partikler vekk fra ansiktet og kroppen.
- Lagre elektriske verktøy som ikke er i bruk, utilgjengelig for barn og la ikke personer som ikke er kjent med det elektriske verktøyet eller disse instruksjonene bruke det. Elektriske verktøy er farlige i hendene på utrenede brukere.
- Dette produktet kan inneholde ett eller flere kjemikalier som i staten California er kjent for å forårsake kreft og fødselsskader eller andre reproduktive skader. Vask hender grundig etter håndtering.
- Ikke la barn komme i kontakt med dette verktøyet. Det er nødvendig med oppsyn når uerfarne operatører bruker dette verktøyet.
- Det må ikke foretas endringer av verktøyet. Modifiseringer kan redusere effektiviteten til sikkerhetsanordninger og øke risikoen for operatøren.
- Ikke kast sikkerhetsinstruksene, men gi dem til operatøren.
- Ikke bruk verktøyet hvis det er skadet.
- Vær oppmerksom på at svikt i arbeidsstykket eller tilbehør, eller i selve verktøyet, kan generere prosjektiler som slynges ut med høy kraft.
- Dette apparatet er ikke ment for bruk av personer (inkludert barn) med reduserte fysiske, sensoriske eller mentale evner, eller mangel på erfaring og kunnskap, med mindre de får tilsyn av en person ansvarlig for

deres sikkerhet. Barn skal aldri forlates alene slik at de kan leke med produktet. Bruk verktøyet, tilbehørene og bittene, osv., i samsvar med disse instruksjonene og ta i betraktning arbeidsforholdene og det arbeidet som skal utføres. Bruk av det elektriske verktøyet for oppgaver som er forskjellige fra de som er tiltenkt kan føre til en farlig situasjon.

- Kun kvalifiserte operatører som har fått opplæring, skal montere, justere eller bruke verktøyet.
- For arbeid over hodehøyde skal det brukes sikkerhetshjelm.
- Rett utslippet i en retning slik at det minimerer virvling av støv i støvete miljøer. Ikke styr luften som blåses ut mot hendene dine.
- Der det dannes støv eller røykgasser, skal det prioriteres å kontrollere disse ved utslippspunktet.
- Alle innebygde funksjoner eller tilbehør for oppsamling, utsuging eller reduksjon av luftbåret støv eller røykgasser, må brukes korrekt og vedlikeholdes i samsvar med produsentens anvisninger.
- Dette verktøyet må alltid brukes, inspiseres og vedlikeholdes i samsvar med sikkerhetsforskriftene fra det amerikanske nasjonale standardinstituttet for bærbart trykkluftverktøy (ANSI B186.1) og alle andre gjeldende sikkerhetslover og -regler.
- Bruk ikke verktøyet slik at det roterer fritt med pipenøkkelinnsatsen påmontert.

3) YTERLIGERE SIKKERHETSREGLER, SPESIFIKKE FOR MUTTERTREKKERE



- Bruk kun tilbehør og tilkoblinger klassifisert for bruk med luftdrevne verktøy som er anbefalt av Mac Tools. Inspiser tilbehøret før bruk. Ikke bruk sprukket eller skadet tilbehør. Bruk ikke kromnøkler, håndverktøy eller andre tilbehør som ikke er klassifisert for luftdrevne verktøy.
- Kraften til verktøyet kontrolleres av trykket på bryteren. Grip godt tak i verktøyet og trykk inn bryteren for bruk.
- Ikke bruk svært slitte pipenøkkelinnsatser til inn- eller utskruing. Kontroller det firkantede drivfestet på muttertrekkeren med jevne mellomrom. Sørg for at pipenøkkelinnsatsen, forlengelsesledd eller annet tilbehør er sikkert festet før verktøyet brukes.
- Ved løsning av festelementer skal du først sørge for at det er tilstrekkelig avstand bak verktøyet til at ikke hånden kan sette seg fast. Verktøyet vil bevege seg fra den gjengede koblingen etter hvert som mutteren/bolten løsnes og beveger seg oppover gjengene, og luftverktøyet vil bevege seg med det. Sørg for at hendene holdes unna pipenøkkelinnsats under bruk.
- Fest hylser eller tilbehør godt fast til muttertrekkeren. Sjekk ambolt og sikringsring på verktøyet før bruk. Manglende eller skadede deler må erstattes før bruk.
- Sørg for at frem-/reversbryteren er i riktig stilling for å skru fast eller løsne festelementet.
- Mutteren/bolten kan da skrues i gjengene ved hjelp av muttertrekkeren. For å løsne en sammenkobling kan verktøyet brukes i motsatt rekkefølge.
- Det anbefales å bruke en gjenget slangenippel (fig. 4) i herdet stål (eller et materiale med en sammenlignbar sjokkmotstand).

4) BRUK OG VEDLIKEHOLD AV ELEKTRISKE VERKTØY

- Før verktøyet tas i bruk må du kontrollere at arbeidet ikke vil medføre farlig samvirke med det omkringliggende miljøet (eksplosive gasser, brennbar eller farlig væske, ukjente rørledninger, elektriske folier eller kabler osv.).
- Før du kobler verktøyet til luftinntaket, må du kontrollere at utløseren ikke er blokkert i på-posisjon av noen hindringer.
- I tilfelle av blokkering, løser du ut utløseren og kobler verktøyet fra trykkluftnettet.
- Påse at enheten som det utføres arbeid på, er festet slik at den ikke beveger seg.
- Dette verktøyet skal alltid brukes, inspiseres og vedlikeholdes i samsvar med alle regler (lokale, statlige, føderale og nasjonale) som kan gjelde for håndholdt/hånddrevet pneumatisk verktøy.
- Av hensyn til sikkerhet, for topp ytelse og maksimal varighet for deler, bør dette verktøyet drives ved 90 psig (6,2 bar / 620 kPa) maksimalt lufttrykk ved innløpet med en luftslange med 3/8" (10 mm) innvendig diameter.

- Det skal alltid brukes ren, tørr luft. Støv, korroderende damper og/eller for høy fuktighet kan ødelegge motoren i trykkluftverktøy.
- Overskridelse av det maksimale trykket på 90 psig (6,2 bar / 620 kPa) vil medføre risiko for slike farer som for høy hastighet, slitasje på verktøyet, deler som knekker, høyere dreiemoment eller kraft som kan ødelegge verktøyet og tilbehøret eller stykket som det arbeides på.
- Vedlikehold elektriske verktøy. Kontroller om bevegelige deler er feiljustert eller fastskjært, om deler er ødelagt eller andre forhold som kan påvirke driften av verktøyet. Dersom det er skadet, få verktøyet reparert før neste bruk. Mange ulykker forårsakes av dårlig vedlikeholdte verktøy.
- Bruk kun merket tilbehør som anbefales av Mac Tools. Inspiser tilbehøret før bruk. Ikke bruk sprukket eller skadet tilbehør. Selv om et tilbehør kan festes på elektroverktøyet, er ikke dette ensbetydende med at det er sikkert i bruk.
- Bruk verktøyet, tilbehørene og bittene, osv., i samsvar med disse instruksjonene og ta i betraktning arbeidsforholdene og det arbeidet som skal utføres. Bruk av det elektriske verktøyet for oppgaver som er forskjellige fra de som er tiltenkt kan føre til en farlig situasjon.
- Forsikre deg om at gnister og avfall som følger fra bruken, ikke utgjør noen fare for andre.
- Det pneumatiske verktøyet må monteres eller kobles til trykkluftnettet via en hurtigutkopling for å lette avstenging i tilfelle fare.
- Når verktøyet har nådd slutten av levetiden, anbefales det at verktøyet demonteres, avfettes og deler skilles fra hverandre etter materiale slik at de kan resirkuleres.
- Husk alltid å slå av lufttilførselen og koble fra slangen for lufttilførselen før du monterer, fjerner eller justerer tilbehør til verktøyet, eller før du foretar vedlikehold på verktøyet.
- Det må ikke brukes skadde, flisete eller nedslitte luftslanger og koblinger. Bruk ikke kraft på slanger eller koblinger.
- Smør ikke verktøyet med brennbare eller flyktige væsker, slik som parafin, diesel eller flydrivstoff.
- Ingen merker må fjernes. Undersøk merkelappene fra tid til annen for å sikre at all merkingen fortsatt er leselig. Skift ut skadet merke.
- Ikke bruk verktøyet hvis bryteren ikke kan slå verktøyet av eller på.
- Sikkerhetsspaken må ikke låses, tapes eller spennes fast i "på"-posisjonen, da spaken fritt må kunne returnere til "av"-posisjonen når den slippes.
- Pass på at alle slanger og koblinger er riktig størrelse og stramt festet.
- Det anbefales å bruke en slynge for sikring av slangen. En kobling koblet direkte til luftinntaket gjør verktøyet mer tungvint og reduserer manøvrerbarheten til verktøyet.
- For maksimal ytelse skal koblingen på veggen være neste størrelse større enn koblingen som brukes på verktøyet. Koblingen nærmest verktøyet skal ikke være mindre enn riktig størrelse på luftinntakslangen.
- Bruk klemmer eller andre praktiske måter for å sikre eller feste arbeidsstykket til en stabil plattform. Det gir ikke nok stabilitet å holde arbeidsstykket med hånden eller mot kroppen, og dette kan føre til at du mister kontrollen.
- Når verktøyet ikke er i bruk, skal det kobles fra lufttilførselen for å hindre utilsiktet eller uautorisert bruk i operatørens fravær.
- Ingen av dette verktøyets deler/komponenter/tilbehør må endres på noen som helst måte.
- Luftfiltergitteret ved luftinntaket kan fra tid til annen bli tett av avfall og blokkere lufttilførselen, med det resultat at verktøyets ytelse reduseres. Hvis dette oppstår, må luftfiltergitteret rengjøres.
- Elektroverktøy som ikke er i bruk, må oppbevares utilgjengelig for barn. Personer som ikke er kjente med elektroverktøyet eller disse anvisningene, har ikke lov til å bruke elektroverktøyet. Elektroverktøy kan være farlige hvis de brukes av personer uten opplæring.
- Sett verktøyet på bolten eller mutteren før du starter verktøyet. Ikke pek eller lek med dette verktøyet.

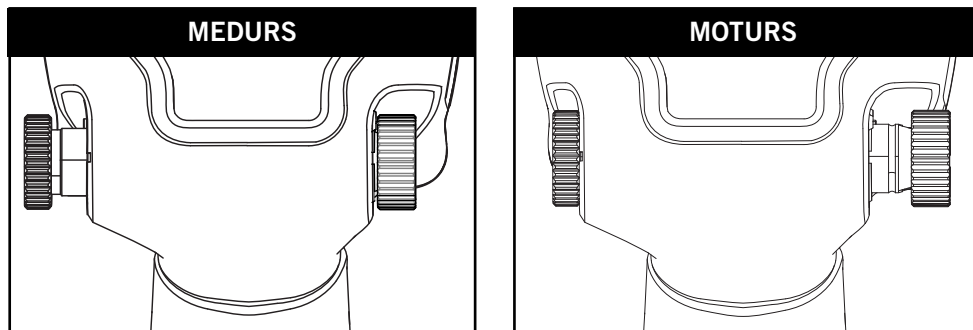
AVTREKKSBRUYTER FOR VARIABEL HASTIGHET

For å bruke verktøyet, klem avtrekksbryteren (a). For å slå av verktøyet, slipp avtrekksbryteren. Jo mer du klemmer avtrekksbryteren, desto raskere roterer verktøyet.

KONTROLLKNAPP FOR MEDURS/MOTURS ROTASJON OG HASTIGHET

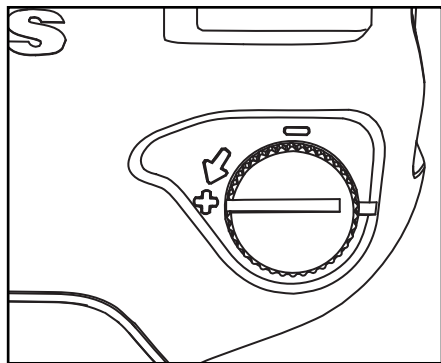
Kontrollknapp for medurs/moturs rotasjon og hastighet (Fig. 1) bestemmer hvilken vei verktøyet roterer og fungerer også som hastighetskontroll. Velg medurs rotasjon ved å trykke inn sideknappen på høyre side av verktøyet som vist. Velg moturs rotasjon ved å trykke inn sideknappen på venstre side av verktøyet som vist.

Fig. 1



Variabel hastighet for medurs rotasjon kan justeres ved å dreie knappen fra lav til høy som vist. For maksimum medurs kraft (fig. 2), dreier du knappen til indikatorlinjen stemmer overens med + (pluss)-symbolet. For lav medurs kraft dreier du knappen til indikatorlinjen stemmer overens med - (minus)-symbolet.

Fig. 2



5) VEDLIKEHOLD

- Service av verktøyet skal utføres av kvalifiserte reparatører, kun ved bruk av Mac Tools godkjente, identiske reservedeler. Bruk kun smøremidler anbefalt av Mac Tools.

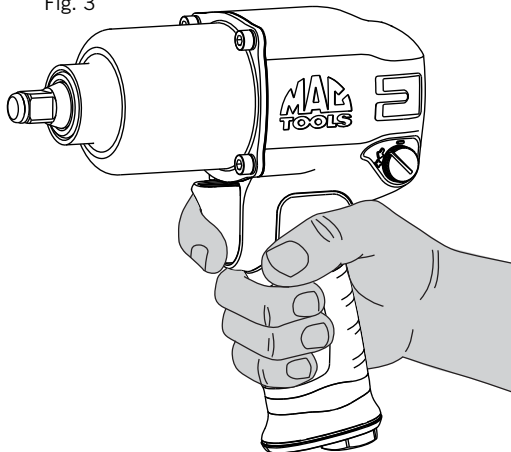
RIKTIG HÅNDPOSISJON

⚠ ADVARSEL

Advarsel: For å redusere risikoen for alvorlig personskade må du alltid bruke riktig håndposisjon, som vist (fig. 3).

Advarsel: For å redusere risikoen for alvorlig personskade, må du alltid holde godt fast og forvente en plutselig bevegelse.

Fig. 3



VEDLIKEHOLD

Smøring

Trykkluftverktøy krever smøring gjennom hele verktøyets levetid.

Trykklufthammermekanismen bruker trykkluft til å drive verktøyet. Trykkluften inneholder fuktighet som vil ruste komponentene inni verktøyet, og det er derfor nødvendig med daglig smøring. Dersom trykkluftverktøyet ikke smøres skikkelig, vil dette dramatisk redusere verktøyets levetid, og garantien vil oppheves

⚠ FORSIKTIG: Dette trykkluftverktøyet krever smøring FØR første gangs bruk, og før og etter hver ytterligere bruk.

For manuelt å smøre trykkluftverktøyet:

1. Koble verktøyet fra lufttilførselkilden, og plasser luftinntaket slik at det vender oppover.
2. Trykk inn bryteren, og hell ca. 0.15 til 0.25 ml luftverktøyolje inn i luftinntaket.

MERK: Bruk SAE nr. 10 vektet olje hvis luftverktøyolje ikke er tilgjengelig. 3. Koble verktøyet til en lufttilførselskilde, plasser meiselen mot arbeidsoverflaten, dekk så til eksosenden med et håndkle, og kjør verktøyet i 2 til 3 sekunder.

⚠ADVARSEL: Oppbevar verktøyet på et sted der barn ikke kan nå det. Hvis luftverktøyolje svelges, må du ikke fremkalle oppkast. Kontakt lege umiddelbart.

⚠ADVARSEL: For mye olje i verktøyet slippes ut med en gang fra eksosåpningen. Husk alltid å rette eksosåpningen vekk fra mennesker eller gjenstander.

MERK: Sjekk hastigheten og gjør en enkel sjekk av vibrasjonsnivået etter hver service.

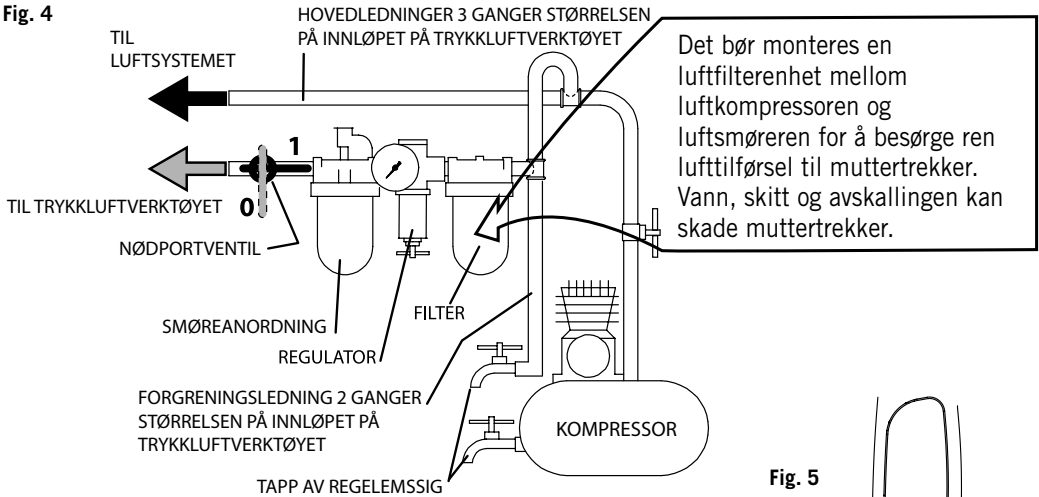
Oppbevaring:

Luftverktøyet må smøres før oppbevaring. Følg instruksjonene for smøring, unntatt trinn 3.

Det må alltid brukes en luftslangesmøring med dette verktøyet. Pass på å ikke bruke for mye oljesmøring, og ikke bruk tung olje da dette kan medføre at verktøyet stopper eller gir redusert ytelse.

TA VERKTØYET I BRUK

Fig. 4



¼" (6.35mm) NPT HØY STRØMNINGSKOBLING

LUFTSLANGE 3/8" (10 mm) I.D. MIN.

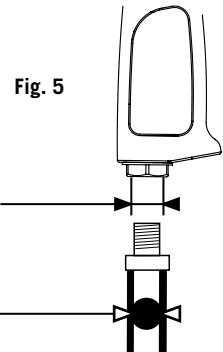


Fig. 5

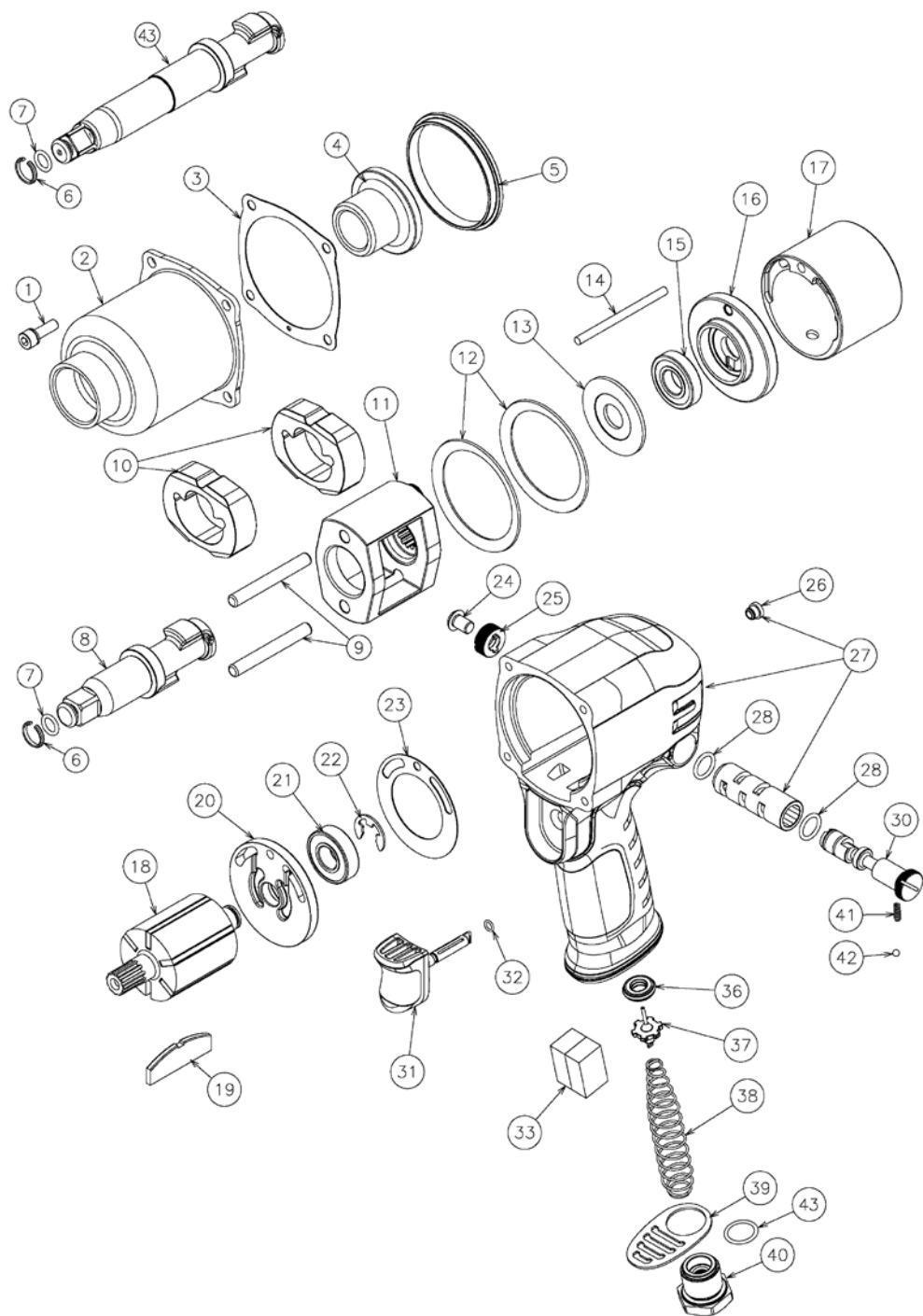
SPESIFIKASJONER

Modellnr.	Diameter på ambolt in / mm	Stempelslag bpm	Bryte moment ft-lbs / Nm	Støynivå (ISO 15744)			
				Trykk dB(A)		Kraft dB(A)	
MPF970501	.5 / 13	1030 / 1120	1100 / 1490	90	3*	101	3*
MPF972501	.5 / 13	1010 / 1060	1100 / 1490	90	3*	101	3*

Modellnr.	Vibrasjonsnivå (ISO 28927)		Gjennomsnittlig luftforbruk cfm / l/min	Arbeidstrykk psi / bar	Vek lbs / kg	Dimensjoner in / mm
	m/s ²					
MPF970501	5.2	1.5**	5.2 / 147.2	90 / 6.2	6.2 / 2.8	7.5 x 2.8 x 7.6 / 190 x 70 x 193
MPF972501	5.2	1.5**	5.2 / 147.2	90 / 6.2	6.4 / 2.9	9.6 x 2.8 x 7.6 / 243 x 70 x 193

* = målingsusikkerhet i dB(A)

** = målingsusikkerhet i m/s²



PRODUIT N°	PIÈCE N°	DESCRIPTION	QTE
	MPF970501	1/2" ALUMINIUM MUT- TERTREKKER	
	MPF972501	1/2" ALUMINIUM MUTTERTREKKER 2" FORLENGET AMBOLT	
1	N463078	VIS	1
2	N463073	ASSEMBLAGE DE BOÎTIER À MARTEAU	1
3	N463075	JOINT	1
4	N463074	DOUILLE	1
5	N463077	DÉCOLLEUR	1
8	N459382	1/2" AMBOLTMONTERING (INKLUDERER 6, 7)	
6	086947.00	ANNEAU DE RETENUE	1
7	50056.00	JOINT TORIQUE	1
9	N459386	PINNE	2
10	N470967	HAMMER	2
11	N463069	RAMME	1
12	N462277	SIKRINGSSKIVE	1
13	N463071	BAKRE SIKRINGSSKIVE	1
14	N463065	LÅSETAPP	1
15	N463061	KULELAGER	1
16	N463066	FRONTPLATE	1
17	N463064	SYLINDER	1
18	N459389	ROTOR	1
19	N459388	ROTORBLAD	6

PRODUIT N°	PIÈCE N°	DESCRIPTION	QTE
20	N463067	BAKRE ENDEPLATE	1
21	N463062	ROULEMENT À BILLES	1
22	N463059	E-KLEMME	1
23	N463068	PAKNING	1
24	N463060	SKRUE	1
25	N463058	KNOB	1
26	N463039	INNSETTING SMØREFETT	1
27	N520498	KASSE MONTERING	1
28	N459403	O-RING	1
30	N463057	MOTURS VENTIL	1
31	N472297	UTLØSER	1
32	N459404	O-RING	1
33	N463052	SMØREFILT	1
36	N539593	PAKNING	1
37	N463044	GASSPJELD	1
38	N463048	VENTILFJÆR	1
39	N459395	PLATE, UTLØPSLUFT	1
40	N463055	LUFTINNØP	1
41	N471026	SPERREFJÆR	1
42	N471025	SPERREKULE	1
43	86459	O-RING	1
44	N486148	1/2" FORLENGET AMBOLTMONTERING (INKLUDERER 6, 7)	
6	086947.00	FJÆRSKIVE	1
7	50056.00	O-RING	1

BEGRENSET GARANTI

Vi garanterer at dette verktøyet vil være fritt for produksjonsfeil i en periode på ET ÅRS fra opprinnelig kjøpsdato. Forpliktelsen vår overfor den opprinnelige kjøperen skal være begrenset til å reparere eller skifte ut, for vår regning (ikke inkludert forsendelseskostnader), et defekt verktøy hvis det returneres av den opprinnelige kjøperen innen et års fra kjøpsdato med alle videre forsendelseskostnader betalt på forhånd. DENNE GARANTIEN DEKKER IKKE DEFEKTER ELLER SKADER PÅ VERKTØYET (i) etter utløpet av garantiperioden; (ii) som resultat av feilbruk eller unormal anvendelser; (iii) som resultat av manglende eller feil smøring, vedlikehold eller bruk av verktøyet; eller (iv) som resultat av reparasjon eller vedlikeholdstjenester utført av andre enn Mac Tools. DENNE BEGRENSEDE GARANTIEN ERSTATTER ALLE ANDRE, INKLUDERT IMPLISITTE GARANTIER SOM GJELDER SALGBARHET OG EGNETHET FOR ET BESTEMT FORMÅL, OG OMFATTER IKKE TILFELDIGE SKADER ELLER FØLGESKADER. Noen land tillater ikke begrensninger i gyldighetstiden for en implisitt garanti, eller fraskrivelse eller begrensninger som gjelder tilfeldige skader eller følgeskader, så disse begrensningene vil ikke nødvendigvis gjelde deg. Denne garantien gir deg spesifikke juridiske rettigheter og du kan ha andre rettigheter som varierer i ulike land eller provinser.

KUNDETJENESTE

Hos Mac Tools forplikter vi oss overfor kundene våre. Når du vil ha kontakt med oss, ber vi om at du bruker følgende telefonnummer for direkte kontakt med én av teknikerne våre i kundetjenesten. De vil med glede hjelpe deg med ethvert service- eller garantispørsmål som du måtte ha om elektroverktøyet ditt.

MACTOOLS.COM | Mac Tools • 505 North Cleveland Avenue • Westerville, Ohio 43082 | 800.MACTOOLS

Mac Tools-Europe, Stanley Black & Decker Inc. • Unit 3, Europa Court
Sheffield Business Park • Sheffield, S9 1XE | 0114 2917266

CE-SAMSVARERKLÆRING

VI, **MAC TOOLS EUROPE-STANLEY BLACK & DECKER, INC. EUROPA COURT, SHEFFIELD BUSINESS PARK, SHEFFIELD S9 1XE, STORBRIITANNIA, ERKLÆRER PÅ EGET ANSVAR AT PRODUKTENE 1/2" MUTTERTREKKER OG 1/2" MUTTERTREKKER 2" FORLENGET AMBOLT**

- ER I SAMSVAR MED MASKINDIREKTIVET 2006/42/EU
- OG ER I SAMSVAR MED BESTEMMELSENE I DEN HARMONISERTE EUROPEISKE STANDARDEN EN ISO 11148-6: 2012

UNDETEGNEDE ER ANSVARLIG FOR SAMMENSTILLING AV DEN TEKNISKE FILEN OG FORETAR DENNE ERKLÆRINGEN PÅ VEGNE AV MAC TOOLS.



Markus Rompel
Teknisk direktør
25.04.2017