
DEWALT®

www.DEWALT.com

DW820

English (<i>original instructions</i>)	4
中文 (简体)	11
BAHASA INDONESIA	18
ภาษาไทย	25
TIẾNG VIỆT	34

Figure 1

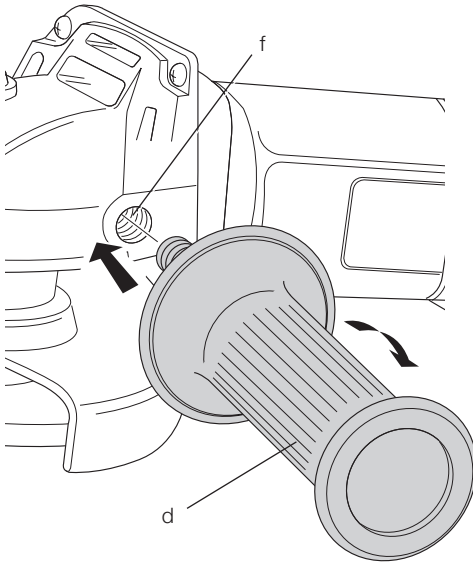
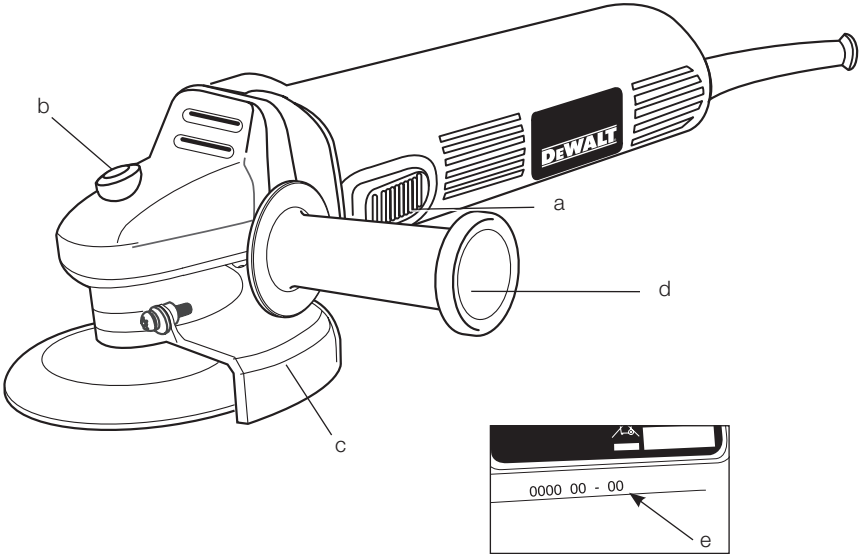


Figure 2

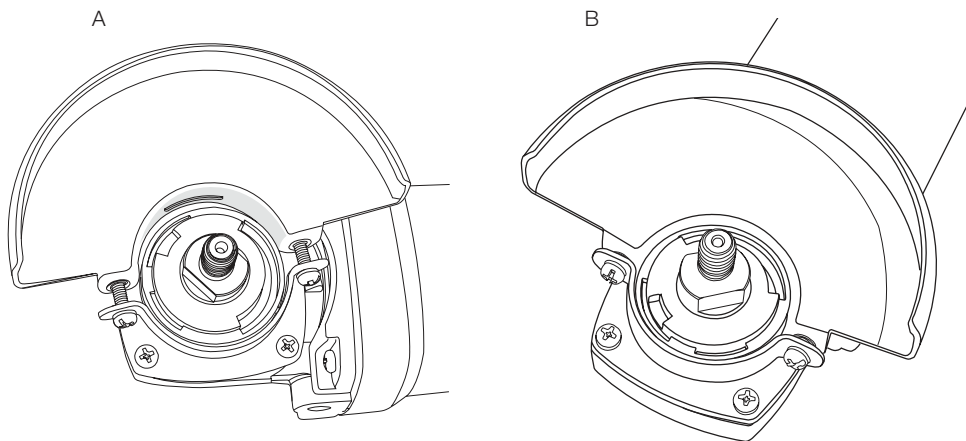


Figure 3

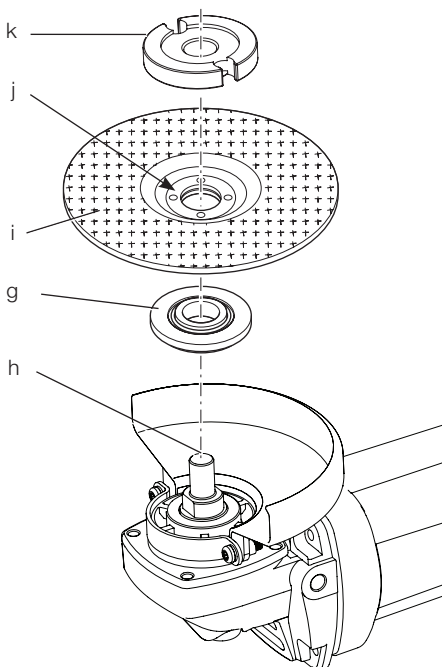


Figure 4

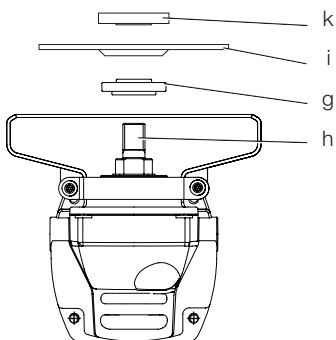
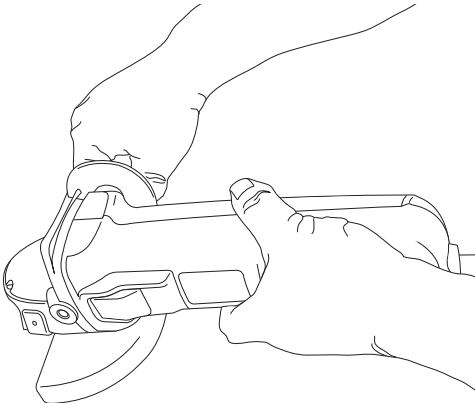


Figure 5



ANGLE GRINDERS

DW820

Congratulations!

You have chosen a DEWALT tool. Years of experience, thorough product development and innovation make DEWALT one of the most reliable partners for professional power tool users.

Technical Data

		DW820/B1	DW820/XD	DW820/A9
Type		1	1	1
Power input	W	680	680	680
No-load speed/rated speed	min ⁻¹	11,000	11,000	11,000
Wheel diameter	mm	100	100	100
Grinding wheels thickness	mm	6	6	6
Type of wheel		27	27	27
Spindle diameter		M10	M10	M10
Weight	kg	1.87	1.87	1.87

Definitions: Safety Guidelines

The definitions below describe the level of severity for each signal word. Please read the manual and pay attention to these symbols.



DANGER: Indicates an imminently hazardous situation which, if not avoided, **will** result in **death or serious injury**.



WARNING: Indicates a potentially hazardous situation which, if not avoided, **could** result in **death or serious injury**.



CAUTION: Indicates a potentially hazardous situation which, if not avoided, **may** result in **minor or moderate injury**.

NOTICE: Indicates a practice **not related to personal injury** which, if not avoided, **may** result in **property damage**.



Denotes risk of electric shock.



Denotes risk of fire.



WARNING: To reduce the risk of injury, read the instruction manual.

General Power Tool Safety Warnings



WARNING! Read all safety warnings and all instructions. Failure to follow the warnings and instructions may result in electric shock, fire and/or serious injury.

SAVE ALL WARNINGS AND INSTRUCTIONS FOR FUTURE REFERENCE

The term "power tool" in the warnings refers to your mains-operated (corded) power tool or battery-operated (cordless) power tool.

1) WORK AREA SAFETY

- Keep work area clean and well lit.** Cluttered or dark areas invite accidents.
- Do not operate power tools in explosive atmospheres, such as in the presence of flammable liquids, gases or dust.** Power tools create sparks which may ignite the dust or fumes.
- Keep children and bystanders away while operating a power tool.** Distractions can cause you to lose control.

2) ELECTRICAL SAFETY

- Power tool plugs must match the outlet. Never modify the plug in any way. Do not use any adapter plugs with earthed (grounded) power tools.** Unmodified plugs and matching outlets will reduce risk of electric shock.
- Avoid body contact with earthed or grounded surfaces such as pipes, radiators, ranges and refrigerators.** There is an increased risk of electric shock if your body is earthed or grounded.
- Do not expose power tools to rain or wet conditions.** Water entering a power tool will increase the risk of electric shock.
- Do not abuse the cord. Never use the cord for carrying, pulling or unplugging the power tool. Keep cord away from heat, oil, sharp edges or moving parts.** Damaged or entangled cords increase the risk of electric shock.

- e) **When operating a power tool outdoors, use an extension cord suitable for outdoor use.** Use of a cord suitable for outdoor use reduces the risk of electric shock.
- f) **If operating a power tool in a damp location is unavoidable, use a residual current device (RCD) protected supply.** Use of an RCD reduces the risk of electric shock.

3) PERSONAL SAFETY

- a) **Stay alert, watch what you are doing and use common sense when operating a power tool. Do not use a power tool while you are tired or under the influence of drugs, alcohol or medication.** A moment of inattention while operating power tools may result in serious personal injury.
 - b) **Use personal protective equipment. Always wear eye protection.** Protective equipment such as dust mask, non-skid safety shoes, hard hat, or hearing protection used for appropriate conditions will reduce personal injuries.
 - c) **Prevent unintentional starting. Ensure the switch is in the off position before connecting to power source and/or battery pack, picking up or carrying the tool.** Carrying power tools with your finger on the switch or energising power tools that have the switch on invites accidents.
 - d) **Remove any adjusting key or wrench before turning the power tool on.** A wrench or a key left attached to a rotating part of the power tool may result in personal injury.
 - e) **Do not overreach. Keep proper footing and balance at all times.** This enables better control of the power tool in unexpected situations.
 - f) **Dress properly. Do not wear loose clothing or jewellery. Keep your hair, clothing and gloves away from moving parts.** Loose clothes, jewellery or long hair can be caught in moving parts.
 - g) **If devices are provided for the connection of dust extraction and collection facilities, ensure these are connected and properly used.** Use of dust collection can reduce dust-related hazards.
- b) **Do not use the power tool if the switch does not turn it on and off.** Any power tool that cannot be controlled with the switch is dangerous and must be repaired.
 - c) **Disconnect the plug from the power source and/or the battery pack from the power tool before making any adjustments, changing accessories, or storing power tools.** Such preventive safety measures reduce the risk of starting the power tool accidentally.
 - d) **Store idle power tools out of the reach of children and do not allow persons unfamiliar with the power tool or these instructions to operate the power tool.** Power tools are dangerous in the hands of untrained users.
 - e) **Maintain power tools. Check for misalignment or binding of moving parts, breakage of parts and any other condition that may affect the power tool's operation. If damaged, have the power tool repaired before use.** Many accidents are caused by poorly maintained power tools.
 - f) **Keep cutting tools sharp and clean.** Properly maintained cutting tools with sharp cutting edges are less likely to bind and are easier to control.
 - g) **Use the power tool, accessories and tool bits etc., in accordance with these instructions taking into account the working conditions and the work to be performed.** Use of the power tool for operations different from those intended could result in a hazardous situation.

5) SERVICE

- a) **Have your power tool serviced by a qualified repair person using only identical replacement parts.** This will ensure that the safety of the power tool is maintained.

ADDITIONAL SPECIFIC SAFETY RULES

Safety Instructions for All Operations

- a) **This power tool is intended to function as a grinder. Read all safety warnings, instructions, illustrations and specifications provided with this power tool.** Failure to follow all instructions listed below may result in electric shock, fire and/or serious injury.
- b) **Operations such as cutting-off, sander, wire brush or polisher are not recommended to be performed with this power tool.** Operations for which the power tool was not

4) POWER TOOL USE AND CARE

- a) **Do not force the power tool. Use the correct power tool for your application.** The correct power tool will do the job better and safer at the rate for which it was designed.

- designed may create a hazard and cause personal injury.
- c) **Do not use accessories which are not specifically designed and recommended by the tool manufacturer.** Just because the accessory can be attached to your power tool, it does not assure safe operation.
- d) **The rated speed of the accessory must be at least equal to the maximum speed marked on the power tool.** Accessories running faster than their rated speed can break and fly apart.
- e) **The outside diameter and the thickness of your accessory must be within the capacity rating of your power tool.** Incorrectly sized accessories cannot be adequately guarded or controlled.
- f) **The arbour size of wheels, flanges, backing pads or any other accessory must properly fit the spindle of the power tool.** Accessories with arbour holes that do not match the mounting hardware of the power tool will run out of balance, vibrate excessively and may cause loss of control.
- g) **Do not use a damaged accessory. Before each use inspect the accessory such as abrasive wheel for chips and cracks, backing pad for cracks, tear or excess wear, wire brush for loose or cracked wires. If power tool or accessory is dropped, inspect for damage or install an undamaged accessory. After inspecting and installing an accessory, position yourself and bystanders away from the plane of the rotating accessory and run the power tool at maximum no-load speed for one minute.** Damaged accessories will normally break apart during this test time.
- h) **Wear personal protective equipment. Depending on application, use face shield, safety goggles or safety glasses. As appropriate, wear dust mask, hearing protectors, gloves and workshop apron capable of stopping small abrasive or workpiece fragments.** The eye protection must be capable of stopping flying debris generated by various operations. The dust mask or respirator must be capable of filtering particles generated by your operation. Prolonged exposure to high intensity noise may cause hearing loss.
- i) **Keep bystanders a safe distance away from work area. Anyone entering the work area must wear personal protective equipment.** Fragments of workpiece or of a broken accessory may fly away and cause injury beyond immediate area of operation.
- j) **Hold the power tool by insulated gripping surfaces only, when performing an operation where the cutting accessory may contact hidden wiring or its own cord.** Cutting accessory contacting a "live" wire may make exposed metal parts of the power tool "live" and could give the operator an electric shock.
- k) **Position the cord clear of the spinning accessory.** If you lose control, the cord may be cut or snagged and your hand or arm may be pulled into the spinning accessory.
- l) **Never lay the power tool down until the accessory has come to a complete stop.** The spinning accessory may grab the surface and pull the power tool out of your control.
- m) **Do not run the power tool while carrying it at your side.** Accidental contact with the spinning accessory could snag your clothing, pulling the accessory into your body.
- n) **Regularly clean the power tool's air vents.** The motor's fan will draw the dust inside the housing and excessive accumulation of powdered metal may cause electrical hazards.
- o) **Do not operate the power tool near flammable materials.** Sparks could ignite these materials.
- p) **Do not use accessories that require liquid coolants.** Using water or other liquid coolants may result in electrocution or shock.

FURTHER SAFETY INSTRUCTIONS FOR ALL OPERATIONS

Kickback and Related Warnings

Kickback is a sudden reaction to a pinched or snagged rotating wheel, backing pad, brush or any other accessory. Pinching or snagging causes rapid stalling of the rotating accessory which in turn causes the uncontrolled power tool to be forced in the direction opposite of the accessory's rotation at the point of the binding.

For example, if an abrasive wheel is snagged or pinched by the workpiece, the edge of the wheel that is entering into the pinch point can dig into the surface of the material causing the wheel to climb out or kick out. The wheel may either jump toward or away from the operator, depending on direction of the wheel's movement at the point of pinching. Abrasive wheels may also break under these conditions.

Kickback is the result of tool misuse and/or incorrect operating procedures or conditions and can be

avoided by taking proper precautions as given below:

- a) **Maintain a firm grip on the power tool and position your body and arm to allow you to resist kickback forces. Always use auxiliary handle, if provided, for maximum control over kickback or torque reaction during start up.** The operator can control torque reaction or kickback forces, if proper precautions are taken.
- b) **Never place your hand near the rotating accessory.** Accessory may kickback over your hand.
- c) **Do not position your body in the area where power tool will move if kickback occurs.** Kickback will propel the tool in direction opposite to the wheel's movement at the point of snagging.
- d) **Use special care when working corners, sharp edges etc. Avoid bouncing and snagging the accessory.** Corners, sharp edges or bouncing have a tendency to snag the rotating accessory and cause loss of control or kickback.
- e) **Do not attach a saw chain woodcarving blade or toothed saw blade.** Such blades create frequent kickback and loss of control.

Safety Warnings Specific for Grinding Operations

- a) **Use only wheel types that are recommended for your power tool and the specific guard designed for the selected wheel.** Wheels for which the power tool was not designed cannot be adequately guarded and are unsafe.
- b) **The guard must be securely attached to the power tool and positioned for maximum safety, so the least amount of wheel is exposed towards the operator.** The guard helps to protect operator from broken wheel fragments and accidental contact with wheel and sparks that could ignite clothing.
- c) **Wheels must be used only for recommended applications. For example: do not grind with the side of cut-off wheel.** Abrasive cut-off wheels are intended for peripheral grinding, side forces applied to these wheels may cause them to shatter.
- d) **Always use undamaged wheel flanges that are of correct size and shape for your selected wheel.** Proper wheel flanges support the wheel thus reducing the possibility of wheel breakage. Flanges for cut-off wheels may be

different from grinding wheel flanges.

- e) **Do not use worn down wheels from larger power tools.** Wheel intended for larger power tool is not suitable for the higher speed of a smaller tool and may burst.

Residual Risks

In spite of the application of the relevant safety regulations and the implementation of safety devices, certain residual risks cannot be avoided. These are:

- Impairment of hearing
- Risk of personal injury due flying particles.
- Risk of burns due to accessories becoming hot during operation.
- Risk of personal injury due to prolonged use.
- Risk of dust from hazardous substances.

Markings on Tool

The following pictograms are shown on the tool:



Read instruction manual before use.



Wear ear protection.



Wear eye protection.

DATE CODE POSITION (FIG. 1)

The Date Code (e), which also includes the year of manufacture, is printed into the housing.

Example:

2013 XX XX

Year of Manufacture

Package Contents

The package contains:

- 1 Angle grinder
 - 1 Guard
 - 1 Side handle
 - 1 Flange set
 - 1 Two-pin spanner
 - 1 Instruction manual
- Check for damage to the tool, parts or accessories which may have occurred during

transport.

- Take the time to thoroughly read and understand this manual prior to operation.

Description (fig. 1)



WARNING: Never modify the power tool or any part of it. Damage or personal injury could result.

- On/off switch
- Spindle lock
- Guard
- Side handle

INTENDED USE

Your DW820 angle grinders has been designed for professional grinding applications.

DO NOT use grinding wheels other than center depressed wheels and flap-disc.

DO NOT use under wet conditions or in presence of flammable liquids or gases.

These heavy-duty angle grinders are professional power tools.

DO NOT let children come into contact with the tool. Supervision is required when inexperienced operators use this tool.

Electrical Safety

The electric motor has been designed for one voltage only. Always check that the power supply corresponds to the voltage on the rating plate.



Your DEWALT tool is double insulated in accordance with EN 60745; therefore no earth wire is required.

If the supply cord is damaged, it must be replaced by a specially prepared cord available through the DEWALT service organization.

Using an Extension Cable

If an extension cable is required, use an approved 3-core extension cable suitable for the power input of this tool (see technical data). The minimum conductor size is 1.5 mm²; the maximum length is 30 m.

When using a cable reel, always unwind the cable completely.

ASSEMBLY AND ADJUSTMENTS



WARNING: To reduce the risk of serious personal injury, turn tool off and disconnect tool from power source before making any

adjustments or removing/installing attachments or accessories. Before reconnecting the tool, depress and release the trigger switch to ensure that the tool is off.

Attaching the Side Handle (fig. 1)



WARNING: Before using the tool, check that the handle is tightened securely.

Screw the side handle (d) tightly into one of the holes (f) on either side of the gear case.

Mounting and Removing the Guard (fig. 2)



WARNING: To reduce the risk of serious personal injury, turn tool off and disconnect tool from power source before making any adjustments or removing/installing attachments or accessories. Before reconnecting the tool, depress and release the trigger switch to ensure that the tool is off.

TO MOUNT THE GUARD

1. Place the angle grinder on a table, spindle up.
2. Press the guard down (fig. 2A).
3. Position the guard between your body and work piece.
4. Tight the screw holding the cinch collar firmly around the neck of spindle (fig. 2B)

TO REMOVE THE GUARD

1. Loosen the screw holding the cinch collar around the neck of the spindle.
2. Lift up on the guard.



WARNING: Never use the tool without the guard in place.

NOTE: Please refer to the **Grinding Accessory Chart** at the end of this section to show other accessories that can be used with these grinders.

Fitting and Removing a Grinding Disc (fig. 3, 4)



WARNING: Do not use a damaged disc.

1. Place the tool on a table, guard up.
2. Fit the inner flange (g) correctly onto the spindle (h) (fig. 3).

- Place the disc (j) on the flange (g). When fitting a disc with a raised center, make sure that the raised centre (j) is facing the flange (g).
- Screw the outer flange (k) onto the spindle (h) (fig. 4). The ring on the flange (k) must face towards the disc when fitting a grinding disc.
- Press the spindle lock (b) and rotate the spindle (h) until it locks in position.
- Tighten the flange (k) with the two-pin spanner supplied.
- Release the spindle lock.
- To remove the disc, loosen the flange (k) with the two-pin spanner.

Prior to Operation

- Install the guard and appropriate disc or wheel. Do not use excessively worn discs or wheels.
- Be sure the inner and outer flange are mounted correctly.
- Make sure the disc or wheel rotates in the direction of the arrows on the accessory and the tool.

OPERATION

Instructions for Use



WARNING: Always observe the safety instructions and applicable regulations.



WARNING: To reduce the risk of serious personal injury, turn tool off and disconnect tool from power source before making any adjustments or removing/installing attachments or accessories. Before reconnecting the tool, depress and release the trigger switch to ensure that the tool is off.



WARNING:

- Ensure all materials to be ground are secured in place.
- Apply only a gentle pressure to the tool. Do not exert side pressure on the disc.
- Avoid overloading. Should the tool become hot, let it run a few minutes under no load condition.

Proper Hand Position (fig. 1, 5)



WARNING: To reduce the risk of serious personal injury, **ALWAYS** use proper hand position as shown.



WARNING: To reduce the risk of serious personal injury, **ALWAYS** hold securely in anticipation of a sudden reaction.

Proper hand position requires one hand on the side handle (d), with the other hand on the body of the tool, as shown in figure 5.

Switching On and Off (fig. 1)



WARNING: Before using the tool, check that the handle is tightened securely.

To run the tool, press the on/off switch (a).

For continuous operation, press the switch completely forward.

To stop the tool, release the switch. To stop the tool in continuous operation, press on the back part of the switch.



WARNING: Do not switch the tool on or off when under load.

Spindle Lock (fig. 1)

The spindle lock (b) is provided to prevent the spindle from rotating when installing or removing wheels. Operate the spindle lock only when the tool is turned off, unplugged from the power supply, and has come to a complete stop.



NOTICE: To reduce the risk of damage to the tool, do not engage the spindle lock while the tool is operating. Damage to the tool will result and attached accessory may spin off possibly resulting in injury.

To engage the lock, depress the spindle lock button and rotate the spindle until you are unable to rotate the spindle further.

Metal Applications

When using the tool in metal applications, make sure that a residual current device (RCD) has been inserted to avoid residual risks caused by metal swarf.

If the power supply is shut off by the RCD, take the tool to authorised DEWALT repair agent.



WARNING: In extreme working conditions, conductive dust can accumulate inside the machine housing when working with metal. This can result in the protective insulation in the machine becoming degraded with a potential risk of an electrical shock.

To avoid build-up of metal swarf inside the machine, we recommend to clear the ventilation slots on a daily basis. See **Maintenance**.

Using Flap Discs



WARNING: Metal dust build-up.

Extensive use of flap discs in metal applications can result in the increased potential for electric shock. To reduce this risk, insert an RCD before use and clean the ventilation slots daily by blowing dry compressed air into the ventilation slots in accordance with the below maintenance instructions.

MAINTENANCE

Your DEWALT power tool has been designed to operate over a long period of time with a minimum of maintenance. Continuous satisfactory operation depends upon proper tool care and regular cleaning.



WARNING: To reduce the risk of serious personal injury, turn tool off and disconnect tool from power source before making any adjustments or removing/installing attachments or accessories. Before reconnecting the tool, depress and release the trigger switch to ensure that the tool is off.

Pop-off Brushes

The motor will be automatically shut off indicating that the carbon brushes are nearly worn out and that the tool needs servicing. The carbon brushes are not user-serviceable. Take the tool to an authorised DEWALT repair agent.



Lubrication

Your power tool requires no additional lubrication.



Cleaning



WARNING: Blow dirt and dust out of the main housing with dry air as often as dirt is seen collecting in and around the air vents. Wear approved eye protection and approved dust mask when performing this procedure.



WARNING: Never use solvents or other harsh chemicals for cleaning the non-metallic parts of the tool. These chemicals may weaken the materials used in these parts. Use a cloth dampened only with water and mild soap. Never let any liquid get inside the tool; never immerse any part of the tool into a liquid.

Optional Accessories



WARNING: Since accessories, other than those offered by DEWALT, have not been tested with this product, use of such accessories with this tool could be hazardous. To reduce the risk of injury, only DEWALT, recommended accessories should be used with this product.

Consult your dealer for further information on the appropriate accessories.

Protecting the Environment



Separate collection. This product must not be disposed of with normal household waste.



Should you find one day that your DEWALT product needs replacement, or if it is of no further use to you, do not dispose of it with household waste. Make this product available for separate collection.



Separate collection of used products and packaging allows materials to be recycled and used again. Re-use of recycled materials helps prevent environmental pollution and reduces the demand for raw materials.

Local regulations may provide for separate collection of electrical products from the household, at municipal waste sites or by the retailer when you purchase a new product.

DEWALT provides a facility for the collection and recycling of DEWALT products once they have reached the end of their working life. To take advantage of this service please return your product to any authorised repair agent who will collect them on our behalf.

You can check the location of your nearest authorised repair agent by contacting your local DEWALT office at the address indicated in this manual. Alternatively, a list of authorised DEWALT repair agents and full details of our after-sales service and contacts are available on the Internet at: **www.2helpU.com**.

角磨机DW820

恭喜！

感谢您选购 DeWALT 工具。凭借多年的产品开发和
创新经验，DeWALT 已经成为专业电动工具用户最可
靠的合作伙伴之一。

技术参数

	DW820/B1	DW820/XD	DW820/A9	
型号	1	1	1	
输入功率	瓦	680	680	680
空载转速/额定				
转速	转/分	11,000	11,000	11,000
砂轮片直径	毫米	100	100	100
磨削砂轮片厚度	毫米	6	6	6
砂轮片型号		27	27	27
主轴直径		M10	M10	M10
重量	千克	1.87	1.87	1.87

定义：安全指引

下列定义描述了各警示词的严重程度。请仔细阅读本
手册，并注意这些警示符号。



危险：表示紧急 危险情况，如果不加以
避免，将导致死亡或严重伤害。



警告：表示存在潜在的 危险情况，如
果不加以避免，可能导致死亡或严重
伤害。



警示：表示存在潜在 危险情况，如果不
加以避免，可能导致轻度或中度伤害。

注意：表示存在不 涉及人身伤害的情
况，如果不加以避免，可能导致财产
损失。



表示存在触电风险。



表示存在火灾风险。



警告：为降低伤害风险，请阅读使用
手册。

电动工具通用安全警告



警告！阅读所有警告和所有说明。不
遵照以下警告和说明会导致电击、着火
和/或严重伤害。

保存所有警告和说明书以备查阅。

在所有下列的警告术语中“电动工具”指市电驱动
(有线) 电动工具或电池驱动(无线) 电动工具。

a) 工作场地的安全

- 1) 保持工作场地清洁和明亮。混乱和黑暗的场
地会引发事故。
- 2) 不要在易爆环境，如有易燃液体、气体或粉
尘的环境下操作电动工具。电动工具产生的
火花会点燃粉尘或气体。
- 3) 让儿童和旁观者离开后操作电动工具。注意
力不集中会使你失去对工具的控制。

b) 电气安全

- 1) 电动工具插头必须与插座相配。绝不能以任
何方式改装插头。需接地的电动工具不能使
用任何转换插头。未经改装的插头和相配的
插座将减少电击危险。
- 2) 避免人体接触接地表面，如管道、散热片和
冰箱。如果你身体接地会增加电击危险。
- 3) 不得将电动工具暴露在雨中或潮湿环境中。
水进入电动工具将增加电击危险。
- 4) 不得滥用电线。绝不用电线搬运、拉动电
动工具或拔出其插头。使电线远离热源、
油、锐边或运动部件。受损或缠绕的软线会
增加电击危险。
- 5) 当在户外使用电动工具时，使用适合户外使
用的外接软线。适合户外使用的软线将减少
电击危险。
- 6) 如果在潮湿环境下操作电动工具是不可避免
的，应使用剩余电流动作保护器(RCD)。
使用RCD可减小电击危险。

c) 人身安全

- 1) 保持警觉，当操作电动工具时关注所从事的操作并保持清醒。当你感到疲倦，或在有药物、酒精或治疗反应时，不要操作电动工具。在操作电动工具时瞬间的疏忽会导致严重人身伤害。
- 2) 使用个人防护装置。始终佩戴护目镜。安全装置，诸如适当条件下使用防尘面具、防滑安全鞋、安全帽、听力防护等装置能减少人身伤害。
- 3) 防止意外起动。确保开关在连接电源和/或电池盒、拿起或搬运工具时处于关断位置。手指放在已接通电源的开关上或开关处于接通时插入插头可能会导致危险。
- 4) 在电动工具接通之前，拿掉所有调节钥匙或扳手。遗留在电动工具旋转零件上的扳手或钥匙会导致人身伤害。
- 5) 手不要伸展得太长。时刻注意立足点和身体平衡。这样在意外情况下能很好地控制电动工具。
- 6) 着装适当。不要穿宽松衣服或佩戴饰品。让你的衣服、手套和头发远离运动部件。宽松衣服、配饰或长发可能会卷入运动部件中。
- 7) 如果提供了与排屑、集尘设备连接用的装置，要确保他们连接完好且使用得当。使用这些装置可减少尘屑引起的危险。

d) 电动工具使用和注意事项

- 1) 不要滥用电动工具，根据用途使用适当的电动工具。选用适当设计的电动工具会使你工作更有效、更安全。
- 2) 如果开关不能接通或关断工具电源，则不能使用该电动工具。不能用开关来控制的电动工具是危险的且必须进行修理。
- 3) 在进行任何调节、更换附件或贮存电动工具之前，必须从电源上拔掉插头和/或使电池盒与工具脱开。这种防护性措施将减少工具意外起动的危险。

- 4) 将闲置不用的电动工具贮存在儿童所及范围之外，并且不要让不熟悉电动工具或对这些说明不了解的人操作电动工具。电动工具在未经培训的用户手中是危险的。
- 5) 保养电动工具。检查运动件是否调整到位或卡住，检查零件破损情况和影响电动工具运行的其他状况。如有损坏，电动工具应在使用前修理好。许多事故由维护不良的电动工具引发。
- 6) 保持切削刀具锋利和清洁。保养良好的有锋利切削刃的刀具不易卡住而且容易控制。
- 7) 按照使用说明书，考虑作业条件和进行的作业来使用电动工具、附件和工具的刀头等。将电动工具用于那些与其用途不符的操作可能会导致危险。

e) 电池式工具使用和注意事项：

- 1) 只用制造商规定的充电器充电。将适用于某种电池盒的充电器用到其他电池盒时会发生着火危险。
- 2) 只有在配有专用电池盒的情况下才使用电动工具。使用其他电池盒会发生损坏和着火危险。
- 3) 当电池盒不用时，将它远离其他金属物体，例如回形针、硬币、钥匙、钉子、螺钉或其他小金属物体，以防一端与另一端连接。电池端部短路会引起燃烧或火灾。
- 4) 在滥用条件下，液体会从电池中溅出，避免接触。如果意外碰到了，用水冲洗。如果液体碰到了眼睛，还要寻求医疗帮助。从电池中溅出的液体会发生腐蚀或燃烧。

f) 维修

- a) 让专业维修人员使用相同的备件维修电动工具。这将保证所维修的电动工具的安全。

附加安全细则

所有操作的使用说明

研磨操作的通用安全警告

- a) **本电动工具设计用作角磨机工具。阅读随该电动工具提供的所有安全警告、说明、图解和规定。不了解以下所列所有说明将导致电击、着火和/或严重伤害。**
 - b) **不推荐用该电动工具进行诸如砂光、刷光、抛光或切割等操作。电动工具不按指定的功能去操作，可能会发生危险和引起人身伤害。**
 - c) **不使用非工具制造商推荐和专门设计的附件。否则该附件可能被装到你的电动工具上，而它不能安全操作。**
 - d) **附件的额定转速必须至少等于电动工具上标出的最大速度。附件以比其额定转速大的速度运转会发生爆裂和飞溅。**
 - e) **附件的外径和厚度必须在电动工具额定能力范围内。不正确的附件尺寸不能得到充分保护或控制。**
 - f) **砂轮、法兰盘、靠背垫或任何其他附件的轴孔尺寸必须适合于安装到电动工具的主轴上。带轴孔、与电动工具安装件不配的附件将会失稳、过度振动并会引起失控。**
 - g) **不要使用损坏的附件。在每次使用前要检查附件，例如砂轮是否有碎片和裂痕，靠背垫是否有裂缝、撕裂或过度磨损，钢丝刷是否松动或金属丝是否断裂。如果电动工具或附件跌落了，检查是否有损坏或安装没有损坏的附件。检查和安装附件后，让自己和旁观者的位置远离旋转附件的平面，并以电动工具最大空载转速运行1min。破损的附件通常在该试验时会碎裂。**
 - h) **戴上防护用品。根据适用情况，使用面罩、安全护目镜或安全眼镜。适用时，戴上防尘面具、听力保护器、手套和能挡小磨料或工件碎片的工作围裙。眼防护罩必须挡住各种操作产生的飞屑。防尘面具或口罩必须能够过滤操作产生的颗粒。长期暴露在高强度噪声中会引起失聪。**
 - i) **让旁观者与工作区域保持一定安全距离。任何进入工作区域的人必须戴上防护用品。工**
- 件或破损附件的碎片可能会飞出并引起紧靠着操作区域的旁观者的伤害。切割附件触及带电导线会使电动工具外漏的金属零件带电，并使操作者触电。
 - j) **当在切割附件有可能切割到暗线或自身电线的场所进行操作时，只能通过绝缘握持面来握住电动工具。切割附件碰到一根带电导线会使电动工具外露金属零件带电并使操作者发生电击危险。**
 - k) **使软线远离旋转的附件。如果控制不当，软线可能被切断或缠绕，并使得你的手或手臂可能被卷入旋转附件中。**
 - l) **直到附件完全停止运动才放下电动工具。旋转的附件可能会抓住表面并拉动电动工具而让你失去对工具的控制。**
 - m) **当携带电动工具时不要开动它。意外地触及旋转附件可能会缠绕你的衣服而使附件伤害身体。**
 - n) **经常清理电动工具的通风口。电动机风扇会将灰尘吸进机壳，过多的金属粉尘沉积会导致电气危险。**
 - o) **不要在易燃材料附近操作电动工具。火星可能会点燃这些材料。**
 - p) **不要使用需用冷却液的附件。用水或其他冷却液可能会导致电腐蚀或电击。**

对所有操作的进一步安全说明

反弹和相关警告：

反弹是因卡住或缠绕住的旋转砂轮、靠背垫、钢丝刷或其他附件而产生的突然反作用力。卡住或缠绕会引起转动附件的迅速堵转，随之使失控的电动工具在卡住点产生与附件旋转方向相反的运动。例如，如果砂轮被工件缠绕或卡住，伸入卡住点的砂轮边缘可能会进入材料表面而引起砂轮爬出或反弹。砂轮可能会飞向或飞离操作者，这取决于砂轮在卡住点的运动方向。在此条件下砂轮也可能会碎裂。

反弹是电动工具误用和/或不正确的操作工序或条件的结果。可以同时采取以下给出的适当预防措施得以避免。

- a) **保持紧握电动工具，使您的身体和手臂处于正确状态以抵抗反弹力。如有辅助手柄，则要一直使用，以便最大限度地控制住启动时的反弹力或反力矩。**如采取合适的预防措施，操作者就可以控制反力矩或反弹力。
- b) **绝不能将手靠近转动附件。**附件可能会反弹碰到手。
- c) **不要站在发生反弹时电动工具可能移动到的地方。**反弹将在缠绕点驱使工具逆砂轮运动方向运动。
- d) **当在尖角、锐边等处作业时要特别小心。避免附件的弹跳和缠绕。**尖角、锐边和弹跳具有缠绕旋转附件的趋势并引起反弹的失控。
- e) **不要附上锯链、木雕锯片或带齿锯片。**这些锯片会产生频繁的反弹和失控。

砂磨和切割操作的附加安全说明

对砂磨操作的专用安全警告：

- a) **只使用所推荐的砂轮型号和为选用砂轮专门设计的护罩。**不是为电动工具设计的砂轮不能充分得到保护，是不安全。
- b) **护罩必须牢固地装在电动工具上，且放置得最具安全性，只有最小的砂轮部分暴露在操作人面前。**护罩帮助保护操作者免于受到爆裂砂轮碎片和偶然触及砂轮的危險。
- c) **砂轮只用作推荐的用途。例如：不要用切割砂轮的侧面进行磨削。**施加到砂轮侧面的力可能会使其碎裂。
- d) **始终为所选砂轮选用未损坏的、有恰当规格和形状的砂轮法兰盘。**合适的砂轮法兰盘支撑砂轮可以减小砂轮破裂的可能性。切割砂轮的法兰盘可以不同于砂轮的法兰盘。
- e) **不要使用从大规格电动工具上用剩的磨损砂轮。**用于大规格电动工具上的砂轮不适于较小规格工具的高速工况并可能会爆裂。

剩余风险

尽管遵守了相关的安全法规并采用了安全装备，某些剩余风险仍然是无法避免的。这些风险包括：

- 听力损伤
- 飞散碎木料造成的人身伤害风险。
- 操作过程中附件加热而产生的烧伤危险。
- 长时间使用导致的人身伤害风险。
- 危害物质粉尘引起的风险。

工具上的标记

工具上印有下列标志：



使用前请阅读使用手册。



请佩戴听力保护器。



请佩戴护目装备。

日期码位置 (图 1)

包含制造年份的日期码 (e) 印在工具机壳内。

例如：

2013 XX XX

制造年份

包装内的物品

本产品包装内的物品有：

- 1 角磨机
- 1 护罩
- 1 个侧手柄
- 1 法兰套件
- 1 双销扳手
- 1 使用手册
- 1 副碳刷

- 检查工具、部件或附件是否在运输过程中损坏。
- 操作前，请抽空仔细阅读并掌握本手册。

描述 (图 1)



警告：切勿改装电动工具或其任何部件，否则可能会导致损坏或人身伤害。

- “开/关”开关
- 主轴锁
- 护罩
- 侧手柄

设计用途

DW820 角磨机设计用于专业磨削应用。

禁止使用中心凹陷砂轮片以外的砂轮片和砂纸盘。

请勿在潮湿环境中或在有易燃液体或气体的环境中使用。

本重型角磨机是专业型电动工具。

请勿让儿童接触本工具。缺乏经验的操作员需要在监督下使用本工具。

电气安全

电机只适用一种工作电压。请务必检查电源电压是否与铭牌上的电压一致。



您的 DeWALT 工具依据 EN 60745 标准带有双重绝缘，因此无需接地线。

电源线损坏时，必须由 DeWALT 服务部门采用专门制备的电线进行更换。

使用延长电缆

如需使用延长电缆，请使用与本工具的输入功率（见技术数据）匹配的经验 3 芯延长线。最小导体尺寸为 1.5 平方毫米，最大长度为 30 米。

使用电缆卷筒时，请务必拉出所有的电缆。

组装和调整



警告：为降低严重的人身伤害风险，在进行任何调整或取出/安装配件或附件之

前，请关闭工具电源和断开工具电源连接。重新连接工具之前，请按下并松开触发开关以确保工具已关闭。

安装侧手柄 (图 1)



警告：使用工具之前，请检查手柄是否牢固拧紧。

将侧手柄 (d) 牢固地旋入齿轮箱任一侧的其中一个孔 (f) 中。

安装和取出护罩 (图 2)



警告：为降低严重的人身伤害风险，在进行任何调整或取出/安装配件或附件之前，请关闭工具电源和断开工具电源连接。重新连接工具之前，请按下并松开触发开关以确保工具已关闭。

安装护罩

1. 将角磨机放置在工作台上，主轴朝上。
2. 将护罩向下按 (图 2A)。
3. 将护罩定位在您的身体和工件之间。
4. 拧紧螺钉，将夹紧环围绕主轴颈部牢牢固定 (图 2B)

拆除护罩

1. 松开围绕主轴颈部固定夹紧环的螺钉。
2. 将护罩往上拉。



警告：切勿在没有安装护罩的情况下使用本工具。

注：请参阅本节结束处的磨削附件图表，查看可与本角磨机配合使用的其他附件。

安装和拆除磨片 (图 3、4)



警告：禁止使用破损磨片。

1. 将工具放置在工作台上，护罩朝上。
2. 将内法兰 (g) 正确安装到主轴 (h) 上 (图 3)。

- 将磨片 (i) 放置在法兰 (g) 上。安装中心凸起的磨片时，确保凸起的中心 (j) 面向法兰 (g)。
- 将外法兰 (k) 拧紧到主轴 (h) 上（图 4）。安装磨片时，法兰 (k) 上的圆环必须面向磨片。
- 按下主轴锁 (b) 并转动主轴 (h)，直到其锁定到位。
- 使用随附的双销扳手拧紧法兰 (k)。
- 松开主轴锁。
- 要拆除磨片，使用双销扳手松开法兰 (k)。

操作前的准备工作

- 安装护罩及合适的磨片或砂轮片。禁止使用过度磨损的磨片或砂轮片。
- 确保内部和外部法兰已正确安装。
- 确保磨片或砂轮片按附件和工具上的箭头方向转动。

操作

使用说明



警告：请务必遵守安全指示和适用法规。



警告：为降低严重的人身伤害风险，在进行任何调整或取出/安装配件或附件之前，请关闭工具电源和断开工具电源连接。重新连接工具之前，请按下并松开触发开关以确保工具已关闭。



警告：

- 确保所有要磨削的材料已固定到位。
- 轻轻地对工具施加压力。切勿对磨片施加侧压力。
- 避免过载。如果工具变得灼热，请让它在空载情况下运转几分钟。

正确的手持方式（图 1、5）



警告：为降低严重的人身伤害风险，请务必使用正确的手持方式，如图所示。



警告：为降低严重的人身伤害风险，请务必紧握工具以防止意外事件。

正确的手持方式要求一只手握住侧手柄 (d)，另一只手握住工具主体，如图 5 所示。

启动与关闭（图 1）



警告：使用工具之前，请检查手柄是否牢固拧紧。

若要运转工具，请按下开关 (a)。

若要使工具连续运转，请将开关按到最前方。

若要停止运转工具，请松开开关。若要在连续运转时停止运转工具，请按下开关后部。



警告：不要在有负载时打开或关闭工具。

主轴锁（图 1）

主轴锁 (b) 可在安装或拆除砂轮片时防止主轴转动。只能在工具关闭、拔出电源插头且完全停止时使用主轴锁。



注意：为了降低工具损坏的风险，请勿在工具运转时使用主轴锁。否则将损坏工具，附着的附件可能会甩脱，从而导致伤害。

若要使用主轴锁，请按下主轴锁按钮并转动主轴，直到无法再转动为止。

金属应用

将工具用于金属加工时，确保已插入漏电保护器 (RCD) 以避免金属屑导致的剩余风险。

如果 RCD 切断电源，请将工具送交 DeWALT 授权维修代理。



警告：在极端工作条件下，处理金属时，机壳内部可能会积聚导电粉尘。这可能导致机器中的保护绝缘变弱，可能有触电的风险。

若要避免在机器内部积聚金属屑，我们建议每天清洁通风槽。请参阅**维护**。

使用砂轮片



警告：金属粉尘积聚。在金属应用中过度使用砂轮片可能会增加触电的风险。若要降低此风险，使用前请插入 RCD，并每天清洁通风槽，按照以下维护说明将干燥的压缩空气吹入通风槽。

维护

DeWALT 电动工具设计精良，可以长期使用，而且只需最少的维护。要连续获得令人满意的工作效果，需要进行合适的工具维护和定期清洁。



警告：为降低严重的人身伤害风险，在进行任何调整或取出/安装配件或附件之前，请关闭工具电源和断开工具电源连接。重新连接工具之前，请按下并松开触发开关以确保工具已关闭。

自停式碳刷

电机将自动关闭，指示碳刷快磨完，工具需要维修。碳刷不可由用户自行维修。请将工具送交 DeWALT 授权维修代理。



润滑

本电动工具无需另行润滑。



清洁



警告：一旦通风口和周围积聚了可见的粉尘，请立即用干燥的空气吹走主机外壳内的粉尘和灰尘。执行此过程时，需戴上经认可的护目装备和防尘面具。



警告：切勿使用溶剂或其他刺激性化学制品来清洁工具的非金属部件。这些化学物质可能会削弱这些部位使用的材料。请用布蘸温和的肥皂水擦拭。切勿

让任何液体渗入工具，切勿让工具的任何部分浸在液体中。

可选附件



警告：除了 DeWALT 提供的附件之外，其他附件都未经此产品兼容性测试，若将此类附件与本工具一起使用将存在安全隐患。为降低人身伤害风险，本产品只可使用 DeWALT 推荐的附件。

请问您的经销商咨询更多关于合适附件的信息。

保护环境



分类回收。本产品不得与普通家庭垃圾一起处理。

如果您发现您的 DeWALT 产品需要更换或您已经不再需要使用这些产品，请不要将它们与家庭垃圾一起处理。请将它们单独分类回收。



分类回收使用过的产品和包装能够让材料得以再循环和再利用。再生材料的再利用有助于防止环境污染，并降低对原材料的需求。

当地法规可能要求由市政废物处理点或向您出售新产品的零售商提供从家庭中分类回收电气产品的服务。

DeWALT 提供设施收集和回收使用寿命到期的 DeWALT 产品。若要享受这项服务，请将产品送回任一授权维修代理，他们将代表我们回收您的产品。

请根据本手册所提供的地址与当地 DeWALT 办事处联系，查询离您最近的授权维修代理的位置。或者，您也可以登陆以下网站查询 DeWALT 授权维修代理名单，以及我们的售后服务和联系方式的详细信息，网址是：www.2helpU.com。

制造商名称：百得（苏州）科技有限公司

制造商地址：苏州工业园区苏虹中路200号出口加工区

产地：江苏苏州

GERINDA SUDUT DW820

Selamat!

Anda sudah memilih perkakas DeWALT. Pengalaman bertahun-tahun, pengembangan produk menyeluruh, dan inovasi, menjadikan DeWALT salah satu rekan paling andal bagi para pengguna perkakas listrik profesional.

Data Teknis

	DW820/B1	DW820/XD	DW820/A9
Tipe	1	1	1
Input daya	W 680	680	680
Kecepatan tanpa beban/nilai kecepatan	mnt ⁻¹ 11.000	11.000	11.000
Diameter piringan	mm 100	100	100
Ketebalan piringan penggerindaan	mm 6	6	6
Tipe piringan	27	27	27
Diameter poros	M10	M10	M10
Berat	kg 1,87	1,87	1,87

Definisi: Pedoman Keselamatan

Definisi berikut ini menjelaskan tingkat bahaya untuk setiap kata sinyal. Harap baca buku petunjuk dan perhatikan simbol-simbol ini.



BAHAYA: Mengindikasikan situasi berbahaya yang tak terelakkan, yang jika tidak dihindari, **pasti** mengakibatkan **kematian atau cedera parah**.



PERINGATAN: Mengindikasikan situasi berbahaya yang berpotensi terjadi, yang jika tidak dihindari, **dapat** mengakibatkan **kematian atau cedera berat**.



PERHATIAN: Mengindikasikan situasi berbahaya yang berpotensi terjadi, yang jika tidak dihindari, **dapat** mengakibatkan **cedera ringan atau sedang**.

PEMBERITAHUAN: Mengindikasikan suatu praktik yang **tidak berhubungan dengan cedera diri**, yang jika tidak dihindari, **mungkin** mengakibatkan **kerusakan barang**.



Menunjukkan adanya risiko sengatan listrik.



Menunjukkan risiko kebakaran.



PERINGATAN: Untuk mengurangi risiko cedera, baca buku petunjuk manual.

Peringatan Keselamatan Perkakas Listrik Umum



PERINGATAN! Baca seluruh peringatan keselamatan dan seluruh petunjuk.

Kegagalan untuk mengikuti peringatan dan instruksi dapat mengakibatkan sengatan listrik, kebakaran, dan/atau cedera berat.

SIMPAN SELURUH PERINGATAN DAN PETUNJUK UNTUK REFERENSI DI MASA MENDATANG

Istilah "perkakas listrik" dalam peringatan merujuk pada perkakas listrik beroperasi listrik induk (berkabel) atau perkakas listrik beroperasi baterai (nirkabel).

1) KESELAMATAN AREA KERJA

- Jaga agar area kerja tetap bersih dan terang.** Area yang berantakan atau gelap berpotensi mengakibatkan kecelakaan.
- Jangan operasikan perkakas listrik di lingkungan yang dapat meledak, misalnya jika terdapat cairan, gas, atau debu yang mudah terbakar.** Perkakas listrik menimbulkan percikan api yang dapat menyulut debu atau uap.
- Jauhkan anak-anak dan orang-orang di sekitar Anda saat mengoperasikan perkakas listrik.** Gangguan dapat menyebabkan Anda kehilangan kendali.

2) KESELAMATAN KELISTRIKAN

- Steker perkakas listrik harus sesuai dengan stopkontak. Jangan pernah memodifikasi steker dengan cara apa pun. Jangan gunakan steker adaptor apa pun dengan perkakas listrik yang dibumikan (grounded).** Steker yang tidak dimodifikasi dan stopkontak yang sesuai akan mengurangi risiko sengatan listrik.
- Jagalah agar badan Anda tidak bersentuhan dengan permukaan yang dibumikan, seperti pipa, radiator, kompor, dan kulkas.** Risiko sengatan listrik dapat meningkat jika tubuh Anda bersentuhan dengan permukaan yang dibumikan.
- Jangan sampai perkakas listrik ini terkena hujan atau terpapar pada kondisi yang basah.** Air yang masuk ke perkakas listrik akan meningkatkan risiko sengatan listrik.
- Jangan menyalahgunakan kabel. Jangan sekali-kali menggunakan kabel untuk membawa, menarik, atau mencabut perkakas listrik. Jauhkan kabel dari panas, minyak, tepi tajam, atau komponen yang bergerak.** Kabel yang rusak atau terbelit meningkatkan risiko sengatan listrik.
- Bila mengoperasikan perkakas listrik di luar ruangan, gunakan kabel ekstensi yang sesuai untuk penggunaan di luar ruangan.** Menggunakan kabel yang sesuai untuk penggunaan di luar ruangan akan mengurangi risiko sengatan listrik.
- Jika terpaksa mengoperasikan perkakas listrik di lokasi lembap, gunakan catu daya yang**

dilindungi pemutus sirkuit arus sisa (RCD).

Penggunaan RCD akan mengurangi risiko sengatan listrik.

3) KESELAMATAN DIRI

- a) **Tetaplah waspada, perhatikan apa yang Anda tengah kerjakan dan gunakan akal sehat saat mengoperasikan perkakas listrik. Jangan mengoperasikan perkakas listrik bila Anda sedang lelah, atau berada di bawah pengaruh obat, alkohol, atau pengobatan.** Kelengahan sesaat saja saat mengoperasikan perkakas listrik dapat mengakibatkan cedera diri serius.
 - b) **Gunakan peralatan pelindung diri. Selalu kenakan alat pelindung mata.** Peralatan pelindung, seperti masker debu, sepatu keselamatan antislip, helm proyek, atau pelindung telinga yang digunakan untuk kondisi yang sesuai akan mengurangi risiko cedera diri.
 - c) **Hindari menyalakan perkakas tanpa disengaja. Pastikan bahwa tombol sudah dalam posisi mati sebelum menghubungkannya ke sumber listrik dan/atau baterai, mengambil, atau membawa perkakas.** Membawa perkakas listrik dengan jari Anda masih menempel pada tombol atau menghidupkan perkakas listrik yang tombolnya masih menyalakan akan berpotensi mengakibatkan kecelakaan.
 - d) **Lepaskan semua kunci setelah atau kunci pas sebelum menghidupkan perkakas listrik.** Kunci pas atau kunci yang dibiarkan terpasang pada komponen perkakas listrik yang berputar dapat mengakibatkan cedera diri.
 - e) **Jangan melampaui batas. Selalu jaga pijakan dan keseimbangan yang baik.** Hal ini memungkinkan Anda untuk mengendalikan perkakas listrik secara lebih baik dalam situasi yang tidak terduga.
 - f) **Kenakan pakaian yang sesuai. Jangan mengenakan pakaian longgar atau perhiasan. Jauhkan rambut, pakaian dan sarung tangan dari komponen yang bergerak.** Pakaian yang longgar, perhiasan atau rambut panjang dapat tersangkut pada komponen yang bergerak.
 - g) **Jika disediakan perangkat untuk sambungan fasilitas pengeluaran dan pengumpulan debu, pastikan perangkat ini dihubungkan dan digunakan dengan sesuai.** Penggunaan alat pengumpul debu dapat mengurangi bahaya yang ditimbulkan oleh debu.
- b) **Jangan gunakan perkakas listrik ini jika tombol tidak dapat menghidupkan dan mematikan perkakas.** Perkakas listrik apa pun yang tidak dapat dikendalikan dengan tombolnya adalah berbahaya dan harus diperbaiki.
 - c) **Lepaskan stopkontak dari sumber listrik dan/ atau baterai dari perkakas listrik sebelum melakukan penyetelan apa pun, mengganti aksesoris, atau menyimpan perkakas listrik.** Tindakan pencegahan untuk keselamatan seperti itu akan mengurangi risiko menyalakan perkakas listrik secara tidak disengaja.
 - d) **Simpan perkakas listrik yang tidak digunakan jauh dari jangkauan anak-anak, dan jangan membolehkan orang yang tidak memahami perkakas listrik atau petunjuk ini untuk mengoperasikannya.** Perkakas listrik dapat berbahaya bila digunakan oleh pengguna yang tidak terlatih.
 - e) **Rawat perkakas listrik. Lakukan pemeriksaan untuk mengetahui apakah ada komponen bergerak yang tidak sejajar atau bengkok, komponen yang patah, dan kondisi lainnya yang dapat mempengaruhi pengoperasian perkakas listrik. Jika rusak, perbaiki perkakas listrik sebelum digunakan.** Banyak terjadi kecelakaan akibat perkakas listrik yang tidak terawat dengan baik.
 - f) **Jaga ketajaman dan kebersihan alat pemotong.** Alat pemotong yang terawat dengan baik dengan mata potong yang tajam akan kecil kemungkinannya untuk macet serta lebih mudah untuk dikendalikan.
 - g) **Gunakan perkakas listrik, aksesoris, dan mata bor, dsb. sesuai instruksi-instruksi ini, dengan memperhitungkan persyaratan kerja dan jenis pekerjaan yang harus dilakukan.** Penggunaan perkakas listrik untuk pengoperasian yang tidak sesuai dengan tujuan penggunaan dapat mengakibatkan situasi yang berbahaya.

5) SERVIS

- a) **Perkakas listrik sebaiknya diservis oleh teknisi yang mahir dan hanya menggunakan komponen pengganti yang persis sama.** Hal ini akan membuat keamanan perkakas listrik selalu terjaga.

ATURAN KESELAMATAN SPESIFIK TAMBAHAN

Petunjuk Keselamatan untuk Semua Operasi

- a) **Perkakas listrik ini ditujukan untuk penggunaan sebagai alat gerinda. Baca semua peringatan keamanan, instruksi, ilustrasi, dan spesifikasi yang disertakan bersama perkakas listrik ini.** Kegagalan mengikuti seluruh instruksi yang tercantum di bawah ini dapat mengakibatkan sengatan listrik, kebakaran, dan/ atau cedera berat.

4) PENGGUNAAN DAN PERAWATAN PERKAKAS LISTRIK

- a) **Jangan menggunakan perkakas listrik dengan paksa. Gunakan perkakas listrik yang benar untuk aplikasi Anda.** Perkakas listrik yang tepat akan bekerja dengan lebih baik dan lebih aman pada tingkat kelajuan yang telah dirancang untuk perkakas itu.

- b) **Pekerjaan seperti pengampelasan, penyikatan kawat, pemolesan, atau pemotongan tidak dianjurkan untuk dilakukan menggunakan perkakas listrik ini.** Pengoperasian yang tidak sesuai dengan tujuan perkakas listrik ini dapat mengakibatkan kecelakaan dan menimbulkan cedera diri.
- c) **Jangan gunakan aksesoris yang tidak dirancang khusus dan disarankan oleh pabrik pembuat perkakas.** Hanya karena aksesoris dapat dihubungkan pada perkakas listrik Anda, tidak menjamin pengoperasian yang aman.
- d) **Nilai kecepatan aksesoris harus minimal setara dengan kecepatan maksimum yang tertera pada perkakas listrik.** Aksesoris yang bekerja lebih cepat dari nilai kecepatannya dapat jebol dan hancur berantakan.
- e) **Diameter luar dan ketebalan aksesoris Anda harus tidak melebihi nilai kapasitas perkakas listrik Anda.** Aksesoris yang ukurannya tidak sesuai tidak dapat dijaga atau dikendalikan dengan baik.
- f) **Ukuran punjung piringan, pinggir piringan, bantalan penahan, atau aksesoris lainnya harus pas betul dengan poros perkakas listrik.** Aksesoris dengan lubang punjung yang tidak sesuai dengan perangkat keras pasang pada perkakas listrik akan kehilangan keseimbangan, bergetar hebat, dan mengakibatkan lepas kendali.
- g) **Jangan gunakan aksesoris yang rusak. Setiap kali sebelum penggunaan, periksa aksesoris, ada/tidaknya serpihan dan rengat pada piringan abrasif, ada/tidaknya rengat, sobekan, atau aus berlebihan pada bantalan penahan, serta ada/tidaknya bulu-bulu sikat yang lepas atau rengat pada sikat kawat.** Jika perkakas listrik atau aksesoris jatuh, periksa ada/tidaknya kerusakan, atau pasang aksesoris yang tidak rusak. Setelah memeriksa dan memasang aksesoris, posisikan diri Anda dan orang di sekeliling menjauhi bidang aksesoris yang berputar, dan jalankan perkakas listrik pada kecepatan tanpa-beban maksimum selama satu menit. Aksesoris yang rusak biasanya akan jebol melalui ujian ini.
- h) **Kenakan peralatan pelindung diri. Tergantung pada aplikasi, gunakan topeng pelindung, kacamata kedap, atau kacamata pengaman. Bilamana perlu, gunakan masker debu, pelindung telinga, sarung tangan, dan apron bengkel yang dapat menghindarkan dari pecahan material atau serpihan abrasif.** Pelindung mata harus mampu mencegah masuknya serpih-serpih yang beterbangan dalam berbagai pengoperasian. Masker debu atau pelindung pernapasan harus mampu menyaring partikel-partikel yang ditimbulkan oleh operasi. Paparan berkepanjangan terhadap kebisingan tingkat tinggi dapat menimbulkan ketulian.
- i) **Pastikan orang-orang lain berada pada jarak aman dari area kerja. Siapa pun yang memasuki area kerja harus mengenakan peralatan pelindung diri.** Pecahan material atau aksesoris yang rusak dapat melayang dan mengakibatkan cedera di luar area operasi.
- j) **Pegang perkakas listrik pada permukaan pegangan berpenyekat saat melakukan pengoperasian di mana aksesoris pemotong dapat bersentuhan dengan kabel tersembunyi atau kabelnya sendiri.** Aksesoris pemotong yang bersentuhan dengan kabel bertegangan listrik dapat mengalirkan arus listrik pada komponen logam perkakas listrik dan mengakibatkan sengatan listrik pada pengguna.
- k) **Posisikan kabel jauh dari aksesoris yang berputar.** Jika Anda kehilangan kendali, kabel dapat terpotong atau robek, dan tangan atau lengan Anda dapat tersedot masuk ke dalam aksesoris yang berputar.
- l) **Jangan pernah meletakkan perkakas listrik sampai aksesoris sudah berhenti total.** Aksesoris yang berputar dapat tersangkut pada permukaan material dan menarik perkakas listrik lepas dari kendali Anda.
- m) **Jangan menjalankan perkakas listrik saat membawanya di sisi tubuh Anda.** Kontak tak disengaja dengan aksesoris yang berputar dapat merobek pakaian Anda dan menarik aksesoris masuk dalam tubuh Anda.
- n) **Bersihkan lubang ventilasi perkakas listrik secara teratur.** Kipas motor akan menyedot debu masuk ke dalam perkakas, dan penumpukan serbuk logam yang berlebihan dapat mengakibatkan bahaya listrik.
- o) **Jangan operasikan perkakas listrik di dekat bahan yang mudah terbakar.** Percikan api dapat membakar bahan tersebut.
- p) **Jangan gunakan aksesoris yang membutuhkan cairan pendingin.** Penggunaan air atau cairan pendingin lainnya dapat menimbulkan sengatan listrik atau shock.

PETUNJUK KESELAMATAN LEBIH LANJUT UNTUK SEMUA OPERASI

Reaksi Balik dan Peringatan Terkait

Reaksi balik adalah reaksi mendadak yang terjadi pada piringan berputar, bantalan penahan, sikat, atau aksesoris lainnya bila terjepit atau robek. Kondisi terjepit atau robek mengakibatkan penahanan aksesoris yang berputar dengan cepat, yang akhirnya memaksa perkakas listrik yang tak terkendali berputar ke arah berkebalikan dengan putaran aksesoris pada ikatannya.

Contoh: jika piringan abrasif terobek atau terjepit pada material kerja, maka ujung piringan yang masuk ke dalam jepitan itu dapat menghujam ke dalam permukaan material kerja dan mengakibatkan piringan keluar atau lepas. Piringan dapat melayang ke arah operator atau arah seberangnya, tergantung pada arah gerakan piringan pada saat terjepit. Piringan abrasif juga dapat jebol dalam keadaan semacam ini.

Reaksi balik merupakan dampak dari penyalahgunaan perkasas listrik dan/atau prosedur atau kondisi pengoperasian yang salah, dan dapat dihindari dengan jalan mengikuti langkah-langkah pencegahan di bawah ini:

- a) **Pegangan perkasas listrik dengan kencana dan posisi tangan dan lengan untuk memungkinkan Anda menahan daya reaksi balik. Selalu gunakan gagang pelengkap, jika tersedia, untuk pengendalian maksimum atas reaksi balik atau reaksi kopel pada saat mulai bekerja.** Operator dapat mengendalikan reaksi kopel atau daya reaksi balik jika sudah mengambil langkah pencegahan sebelumnya.
- b) **Jangan pernah letakkan tangan Anda dekat aksesoris yang berputar.** Aksesoris dapat bereaksi balik mengenai tangan Anda.
- c) **Jangan posisikan tubuh pada area yang dapat terkena perkasas listrik seandainya terjadi reaksi balik.** Reaksi balik akan melayangkan perkasas ke arah berseberangan dengan gerakan piringan pada titik perobekan.
- d) **Berhati-hatilah saat mengerjakan sudut, ujung-ujung tajam, dsb. Hindari pemantulan dan perobekan aksesoris.** Sudut, ujung tajam, atau pemantulan cenderung merobek aksesoris yang berputar dan mengakibatkan hilangnya kendali atau reaksi balik.
- e) **Jangan memasang pisau ukir gergaji mesin atau pisau gergaji bergerigi.** Pisau-pisau semacam ini seringkali mengakibatkan reaksi balik dan hilangnya kendali.

demikian mengurangi kemungkinan rusaknya piringan. Pinggiran piringan untuk piringan pemotong bisa jadi berbeda dari pinggiran piringan penggerinda.

- e) **Jangan gunakan piringan aus dari perkasas listrik yang lebih besar.** Piringan yang ditujukan bagi perkasas listrik yang lebih besar tidak cocok dengan kecepatan perkasas kecil yang lebih tinggi, sehingga dapat hancur.

Risiko-risiko lain

Sekalipun peraturan keselamatan terkait sudah diterapkan dan peralatan pengaman sudah digunakan, risiko-risiko lain tertentu tidak dapat dihindari. Antara lain:

- Kerusakan indera pendengaran
- Risiko cedera pribadi karena partikel-partikel yang beterbangan.
- Risiko luka bakar karena aksesoris menjadi panas selama operasi.
- Risiko cedera pribadi karena penggunaan berkepanjangan.
- Risiko debu dari zat-zat berbahaya.

Tanda pada Perkasas

Gambar-gambar berikut ini tertera pada perkasas:



Baca buku petunjuk sebelum penggunaan.



Gunakan pelindung telinga.



Gunakan pelindung mata.

Peringatan Keselamatan Khusus untuk Operasi Penggerindaan

- a) **Hanya gunakan jenis-jenis piringan yang disarankan untuk perkasas listrik Anda dan pelindung khusus yang dirancang untuk piringan tersebut.** Piringan yang tidak dirancang untuk perkasas listrik tidak dapat terlindungi dengan benar dan tidak aman.
- b) **Pelindung harus terpasang dengan aman pada perkasas listrik dan diposisikan demi keselamatan maksimum, sehingga hanya sedikit saja bagian piringan yang terbuka ke arah operator.** Pelindung membantu melindungi operator dari pecahan piringan yang rusak dan kontak tak disengaja dengan piringan dan percikan api yang dapat membakar pakaian.
- c) **Piringan harus digunakan hanya untuk aplikasi yang disarankan.** Misalnya: jangan menggerinda dengan sisi piringan pemotong. Piringan pemotong abrasif ditujukan untuk penggerindaan mendatar, penggunaan menyamping pada piringan ini dapat membuatnya pecah.
- d) **Selalu gunakan pinggiran piringan yang tak bercacat, yang ukuran dan bentuknya sesuai dengan piringan yang Anda pilih.** Pinggiran piringan yang tepat berfungsi menahan piringan, dengan

POSISI KODE TANGGAL (GBR. 1)

Kode Tanggal (e), yang juga mencantumkan tahun produksi, tercetak pada badan perkasas.

Contoh:

2013 XX XX

Tahun Pembuatan

Isi Kemasan

Kemasan memuat:

- 1 Gerinda sudut
- 1 Pelindung
- 1 Pegangan samping
- 1 Set pinggiran piringan
- 1 Perentang baut ganda
- 1 Buku petunjuk
- Periksa kemungkinan adanya kerusakan pada perkasas, komponen, atau aksesoris yang bisa jadi

terjadi selama transportasi.

- Luangkan waktu untuk membaca seluruh isi buku petunjuk ini dan memahaminya sebelum pengoperasian.

Penjelasan (gambar 1)



PERINGATAN: Jangan pernah memodifikasi perkakas listrik atau komponennya. Ini dapat mengakibatkan kerusakan atau cedera pribadi.

- a. Tombol on/off
- b. Kunci poros
- c. Pelindung
- d. Gagang samping

TUJUAN PENGGUNAAN

Gerinda sudut DW820 telah dirancang untuk aplikasi penggerindaan profesional.

JANGAN gunakan piringan penggerinda lain, selain piringan tertekan pusat dan cakram kelopak.

JANGAN gunakan dalam kondisi basah atau di dekat cairan maupun gas yang mudah terbakar.

Gerinda sudut untuk pekerjaan berat ini merupakan perkakas listrik profesional.

JANGAN biarkan anak-anak bersentuhan dengan perkakas ini. Dibutuhkan pengawasan bila perkakas ini digunakan oleh operator yang belum berpengalaman.

Keselamatan Kelistrikan

Motor listrik dirancang hanya untuk satu voltase. Selalu periksa apakah catu daya sesuai dengan nilai tegangan yang tercantum pada papan nilai.



Perkakas DeWALT Anda berisolasi ganda sesuai dengan EN 60745; itu sebabnya, sehingga kabel arde (ground) tidak diperlukan.

Bila kabel suplai rusak, harus diganti dengan kabel khusus yang disediakan oleh organisasi layanan DeWALT.

Menggunakan Kabel Ekstensi

Jika kabel sambungan diperlukan, gunakan kabel sambungan 3 inti yang disetujui dan sesuai untuk masukan daya perkakas ini (lihat data teknis). Ukuran konduktor minimum adalah 1,5 mm²; panjang maksimum adalah 30 m.

Bila menggunakan gulungan kabel, selalu ulur kabel sepenuhnya.

PERAKITAN DAN PENYESUAIAN



PERINGATAN: Untuk mengurangi risiko cedera pribadi yang berat, matikan perkakas dan lepaskan dari sumber listrik sebelum melakukan penyesuaian apa pun atau melepaskan/memasang pelengkap atau aksesoris. Sebelum menghubungkan

kembali perkakas, tekan dan lepas tombol pemacu untuk memastikan bahwa perkakas sudah mati.

Memasang Gagang Samping (gbr. 1)



PERINGATAN: Sebelum menggunakan perkakas, periksa bahwa gagang sudah diartatkan dengan aman.

Sekrupkan gagang samping (d) sampai erat pada salah satu lubang (f) pada salah satu sisi kotak persneling.

Memasang dan Melepas Pelindung (gbr. 2)



PERINGATAN: Untuk mengurangi risiko cedera pribadi yang berat, matikan perkakas dan lepaskan dari sumber listrik sebelum melakukan penyesuaian apa pun atau melepaskan/memasang pelengkap atau aksesoris. Sebelum menghubungkan kembali perkakas, tekan dan lepas tombol pemacu untuk memastikan bahwa perkakas sudah mati.

UNTUK MEMASANG PELINDUNG

1. Tempatkan gerinda sudut di atas meja, dengan poros yang terpasang.
2. Tekan pelindung ke bawah (gbr. 2A).
3. Posisikan pelindung di antara tubuh dan benda kerja Anda.
4. Kencangkan sekrup dengan memegang cincin pengikat dengan erat di sekitar leher poros (gbr. 2B)

UNTUK MELEPAS PELINDUNG

1. Longgarkan sekrup dengan memegang cincin pengikat dengan erat di sekitar leher poros.
2. Angkat pelindung.



PERINGATAN: Jangan pernah menggunakan perkakas tanpa pengamanan yang sudah siap.

CATATAN: Harap rujuk **Bagan Aksesoris Penggerindaan** pada akhir bagian ini untuk menemukan berbagai aksesoris lain yang dapat digunakan bersama gerinda ini.

Memasang dan Melepas Cakram Gerinda (gbr. 3, 4)



PERINGATAN: Jangan gunakan cakram yang rusak.

1. Tempatkan perkakas di atas meja, dengan pelindung terpasang.
2. Pasang pinggir piringan dalam (g) dengan tepat pada poros (h) (gbr. 3).
3. Pasang cakram (i) pada pinggir piringan (g). Saat memasang cakram dengan bagian tengah yang timbul,

pastikan bahwa bagian tengah yang timbul tersebut (j) menghadap ke pinggiran piringan (g).

4. Sekrupkan pinggiran piringan bagian luar (k) ke poros (h) (gbr. 4). Cincin pada pinggiran piringan (k) harus menghadap berlawanan cakram saat memasang cakram penggerinda.
5. Tekan pengunci poros (b) dan putar poros (h) sampai terkunci di tempatnya.
6. Kencangkan pinggiran piringan (k) dengan perentang baut ganda yang disediakan.
7. Lepaskan kunci poros.
8. Untuk melepas cakram, kendurkan pinggiran piringan (k) dengan perentang baut ganda.

Sebelum Memulai Operasi

- Pasang pelindung dan cakram atau piringan yang sesuai. Jangan gunakan cakram atau piringan yang sudah terlalu aus.
- Pastikan pinggiran piringan sebelah dalam dan luar sudah terpasang betul.
- Pastikan cakram atau piringan berputar searah dengan tanda panah pada aksesoris dan perkakas.

PENGOPERASIAN

Petunjuk Penggunaan



PERINGATAN: Selalu patuhi petunjuk keselamatan dan peraturan yang berlaku.



PERINGATAN: Untuk mengurangi risiko cedera pribadi yang berat, matikan perkakas dan lepaskan dari sumber listrik sebelum melakukan penyesuaian apa pun atau melepaskan/memasang pelengkap atau aksesoris. Sebelum menghubungkan kembali perkakas, tekan dan lepas tombol pemicu untuk memastikan bahwa perkakas sudah mati.



PERINGATAN:

- Pastikan semua material yang dibumikan sudah diamankan pada tempatnya.
- Hanya gunakan tekanan ringan pada perkakas. Jangan beri tekanan samping berlebihan pada cakram.
- Hindari beban berlebihan. Seandainya perkakas menjadi panas, biarkan perkakas beroperasi beberapa menit dalam kondisi tanpa-beban.

Posisi Tangan yang Benar (gambar 1, 5)



PERINGATAN: Untuk mengurangi risiko cedera diri yang serius, **SELALU** gunakan

posisi tangan yang tepat sesuai petunjuk gambar.



PERINGATAN: Untuk mengurangi risiko cedera diri yang serius, **SELALU** pegang dengan erat untuk mengantisipasi reaksi mendadak.

Posisi tangan yang benar mengharuskan Anda memegang gagang samping dengan satu tangan (d), sementara tangan yang lain memegang badan perkakas, seperti pada gambar 5.

Menyalakan dan Mematikan (Gbr. 1)



PERINGATAN: Sebelum menggunakan perkakas, periksa bahwa gagang sudah diartatkan dengan aman.

Untuk menjalankan perkakas, tekan sakelar on/off (a).

Untuk pengoperasian terus-menerus, tekan sakelar sepenuhnya ke depan.

Untuk menghentikan perkakas, lepas sakelar. Untuk menghentikan operasi terus-menerus perkakas, tekan bagian belakang tombol.



PERINGATAN: Jangan menyalakan atau mematikan perkakas saat dibebani.

Kunci Poros (gbr. 1)

Kunci poros (b) disediakan untuk mencegah poros berputar pada saat memasang atau melepas piringan. Operasikan kunci poros hanya bila perkakas dalam posisi mati, tercabut dari catu daya, dan sudah berhenti sepenuhnya.



PEMBERITAHUAN: Untuk mengurangi risiko kerusakan terhadap perkakas, jangan gunakan kunci poros saat perkakas sedang dioperasikan. Ini dapat menimbulkan kerusakan pada perkakas, dan aksesoris yang terpasang bisa berputar lepas serta mengakibatkan cedera.

Untuk menggunakan kunci, tekan tombol kunci poros dan putar poros sampai Anda tak dapat memutarnya lagi.

Aplikasi Logam

Saat menggunakan perkakas dalam aplikasi logam, pastikan bahwa peranti arus listrik residual (RCD) sudah dipasang untuk menghindari risiko residual yang ditimbulkan oleh serpihan logam.

Jika catu daya terputus karena RCD, bawa perkakas ke agen reparasi DeWALT resmi.



PERINGATAN: Dalam kondisi ekstrem, debu konduktif dapat menumpuk dalam wadah mesin saat Anda mengerjakan material logam. Ini dapat mengakibatkan sekat pelindung dalam mesin menjadi aus dan menimbulkan risiko potensial sengatan listrik.

Untuk menghindari penumpukan serpihan logam dalam mesin, kami menyarankan agar Anda membersihkan lubang-lubang ventilasi setiap hari. Lihat **Perawatan**.

Menggunakan Cakram Kelopak



PERINGATAN: Penumpukan debu logam.

Penggunaan cakram kelopak terus menerus dalam aplikasi logam dapat menimbulkan peningkatan potensi sengatan listrik. Untuk mengurangi risiko ini, pasang RCD sebelum menggunakan perkakas dan bersihkan lubang-lubang ventilasi setiap hari dengan cara meniupkan angin ke dalam lubang-lubang ventilasi sesuai dengan petunjuk pemeliharaan berikut ini.



PERINGATAN: Jangan gunakan pelarut atau bahan kimia keras lainnya untuk membersihkan bagian perkakas yang tidak terbuat dari logam. Zat-zat kimia tersebut dapat merapuhkan material komponen-komponen ini. Gunakan kain yang dilembapkan hanya dengan air dan sabun yang lembut. Jangan sampai bagian dalam perkakas memasukan air; jangan pernah rendam komponen perkakas dalam cairan.

PEMELIHARAAN

Perkakas listrik DeWALT Anda telah dirancang untuk penggunaan jangka panjang dengan pemeliharaan minimal. Kelanjutan hasil pengoperasian yang memuaskan tergantung pada pemeliharaan perkakas yang benar serta pembersihan yang teratur.



PERINGATAN: Untuk mengurangi risiko cedera pribadi yang berat, matikan perkakas dan lepaskan dari sumber listrik sebelum melakukan penyesuaian apa pun atau melepaskan/memasang pelengkap atau aksesoris. Sebelum menghubungkan kembali perkakas, tekan dan lepas tombol pemacu untuk memastikan bahwa perkakas sudah mati.

Aksesoris Opsional



PERINGATAN: Berhubung aksesoris-aksesori lain, di luar yang disediakan oleh DeWALT, belum pernah diuji coba menggunakan produk ini, maka penggunaan aksesoris semacam itu dengan perkakas ini dapat berbahaya. Untuk mengurangi risiko cedera, gunakan hanya aksesoris DeWALT yang disarankan dengan produk ini.

Tanyakan kepada dealer Anda untuk informasi selengkapnya seputar aksesoris yang sesuai.

Sikat Rusak

Motor akan berhenti otomatis, menandakan bahwa sikat karbon sudah hampir aus sama sekali dan perkakas butuh diservis. Sikat karbon tidak dapat diperbaiki sendiri oleh pengguna. Bawalah perkakas ke agen reparasi DeWALT resmi.



Pelumas

Perkakas listrik Anda tidak membutuhkan pelumas tambahan.



Pembersihan



PERINGATAN: Semprot ke luar kotoran dan debu pada bodi utama dengan udara kering sesering mungkin saat kotoran terlihat mengendap di dalam dan di sekitar ventilasi udara. Gunakan pelindung mata yang sesuai dan masker debu yang sesuai bilamana mengerjakan prosedur ini.

Melindungi Lingkungan



Pengumpulan terpisah. Produk ini tidak boleh dibuang bersama limbah rumah tangga biasa.

Seandainya suatu hari Anda jumpai produk DeWALT Anda butuh diganti, atau tidak lagi berguna bagi Anda, jangan buang perkakas ini bersama limbah rumah tangga biasa. Pisahkan pengumpulan produk ini.



Pengumpulan produk dan kemasan bekas secara terpisah memungkinkan material untuk didaur ulang dan digunakan lagi. Penggunaan kembali bahan yang didaur ulang akan membantu mencegah pencemaran lingkungan serta mengurangi kebutuhan akan bahan baku mentah.

Undang-undang setempat mungkin memfasilitasi pengumpulan produk-produk kelistrikan terpisah dari sampah rumah tangga, di tempat pembuangan sampah kota atau oleh pedagang ritel pada saat Anda membeli produk baru.

DeWALT menyediakan fasilitas pengumpulan dan pendaurulangan produk-produk DeWALT setelah mencapai akhir usia pakainya. Untuk memanfaatkan layanan ini, harap kembalikan produk Anda kepada agen reparasi resmi yang akan mengumpulkannya atas nama kami.

Anda dapat menemukan lokasi agen reparasi resmi terdekat dengan Anda dengan cara menghubungi kantor DeWALT setempat di alamat yang tercantum pada buku petunjuk ini. Alternatif lainnya, Anda dapat melihat daftar agen reparasi DeWALT resmi dan detail lengkap layanan purna jual serta kontak kami yang tersedia di Internet, di: www.2helpU.com.

เครื่องเจียรไฟฟ้า DW820

ขอแสดงความยินดี!

คุณได้เลือกใช้เครื่องมือจาก DEWALT ด้วยประสบการณ์หลายปีที่ผ่านมาในการพัฒนาผลิตภัณฑ์และนวัตกรรมใหม่ๆ ทำให้ DEWALT เป็นหนึ่งในเครื่องมือไฟฟ้าที่น่าเชื่อถือที่สุดสำหรับผู้ใช้อุปกรณ์ไฟฟ้าระดับมืออาชีพ

ข้อมูลด้านเทคนิค

	DW820/B1	DW820/XD	DW820/A9	
ชนิด	1	1	1	
กำลังไฟเข้า	วัตต์	680	680	680
ความเร็วขณะไม่มีภาระโหลด/ตามพิกัด	นาที ⁻¹	11,000	11,000	11,000
เส้นผ่าศูนย์กลางของแผ่นเจียร	มม.	100	100	100
ความหนาของแผ่นเจียร	มม.	6	6	6
ประเภทของแผ่น		27	27	27
เส้นผ่าศูนย์กลางของแกนหมุน	M10	M10	M10	
น้ำหนัก	กก.	1.87	1.87	1.87

คำจำกัดความ:

ข้อแนะนำด้านความปลอดภัย

คำจำกัดความด้านล่างอธิบายถึงระดับความรุนแรงของค่าแต่ละค่าที่ใช้เรียกสัญลักษณ์ต่างๆ โปรดอ่านคู่มือและทำความเข้าใจกับสัญลักษณ์เหล่านี้



อันตราย: หมายถึงสถานการณ์ที่ก่อให้เกิดอันตรายได้อย่างฉับพลัน ซึ่งหากไม่ระวังจะทำให้เสียชีวิตหรือบาดเจ็บสาหัสได้



คำเตือน: หมายถึงสถานการณ์ที่มีแนวโน้มว่าจะก่อให้เกิดอันตราย ซึ่งหากไม่ระวังสามารถทำให้เกิดอันตรายถึงชีวิตหรือบาดเจ็บสาหัสได้



ข้อควรระวัง: หมายถึงสถานการณ์ที่มีแนวโน้มว่าจะก่อให้เกิดอันตราย ซึ่งหากไม่ระวัง อาจทำให้ได้รับบาดเจ็บเล็กน้อยถึงปานกลาง

ข้อสังเกต: หมายถึงการปฏิบัติที่ไม่เกี่ยวข้องกับการบาดเจ็บส่วนบุคคล ซึ่งหากไม่ระวัง อาจทำให้ทรัพย์สินเสียหาย



แสดงถึงความเสี่ยงจากการถูกไฟฟ้าช็อต



แสดงถึงความเสี่ยงจากการเกิดเพลิงไหม้



คำเตือน: เพื่อลดความเสี่ยงจากการบาดเจ็บ โปรดอ่านคู่มือการใช้งานเล่มนี้

คำเตือนเพื่อความปลอดภัยทั่วไป สำหรับการใช้เครื่องมือไฟฟ้า



คำเตือน! โปรดอ่านคำเตือนและข้อปฏิบัติเพื่อความปลอดภัยทั้งหมด การไม่ปฏิบัติตามคำเตือนและข้อปฏิบัติเหล่านี้ อาจทำให้เกิดไฟฟ้าช็อต เกิดอุบัติเหตุ และ/หรือบาดเจ็บสาหัสได้

โปรดเก็บรักษาคำเตือนและข้อปฏิบัติทั้งหมดนี้ไว้เพื่อการอ้างอิงในภายหลัง

คำว่า “เครื่องมือไฟฟ้า” ในคำเตือน หมายถึง เครื่องมือไฟฟ้า (แบบมีสาย) ที่ทำงานผ่านแหล่งจ่ายไฟหลัก หรือ เครื่องมือไฟฟ้า (แบบไร้สาย) ที่ทำงานผ่านแบตเตอรี่

1) ความปลอดภัยในบริเวณที่ทำงาน

- รักษาความสะอาดและจัดให้มีแสงสว่างเพียงพอในบริเวณที่ทำงาน** บริเวณที่มีมืดหรือมีของวางระเกะระกะอาจทำให้เกิดอุบัติเหตุได้
- ห้ามใช้เครื่องมือไฟฟ้าในบริเวณที่อาจเกิดการระเบิด** เช่น ในสถานที่ที่มีมีของเหลว แก๊ส หรือฝุ่นผงที่มีคุณสมบัติไวไฟ เครื่องมือไฟฟ้าจะทำให้เกิดประกายไฟที่อาจทำให้เกิดละอองไฟหรือเปลวไฟขึ้นได้
- ระวังอย่าให้เด็กเล็กและคนเดินผ่านไปมาเข้าใกล้ในขณะที่ใช้งานเครื่องมือไฟฟ้า** สิ่งรบกวนอาจทำให้คุณเสียสมาธิได้

2) ความปลอดภัยทางไฟฟ้า

- ปลั๊กไฟของเครื่องต้องเป็นชนิดเดียวกับเต้ารับ ห้ามตัดแปลงปลั๊กไม่ว่าด้วยวิธีใด ห้ามใช้ปลั๊กอะแดปเตอร์ใดๆ กับเครื่องมือไฟฟ้าที่ต่อสายดิน (ลงกราวด์)** ปลั๊กที่ไม่มีการตัดแปลงและเต้ารับชนิดเดียวกันจะช่วยลดความเสี่ยงจากการเกิดไฟฟ้าช็อต

- ๒) หลีกเลี่ยงการสัมผัสพื้นผิวที่ต่อสายดินหรือลงกราวด์ เช่น ท่อ หม้อน้ำ เตapotungต้ม และตู้เย็น มีความเสี่ยงเพิ่มขึ้นที่จะเกิดไฟฟ้าช็อต หากร่างกายเป็นสื่อเชื่อมต่อดินหรือลงกราวด์
- ๓) อย่าให้เครื่องมือไฟฟ้าถูกฝนหรืออยู่ในสภาพที่เปียกชื้น น้ำที่เข้าเครื่องมือไฟฟ้าจะเพิ่มความเสี่ยงในการเกิดไฟฟ้าช็อต
- ๔) ห้ามใช้สายไฟผิดวัตถุประสงค์ ห้ามใช้สายไฟเพื่อการหิ้ว ดึง หรือถอดปลั๊กเครื่องมือไฟฟ้า เก็บสายไฟให้พ้นจากความร้อน น้ำมัน ของมีคม หรือ ชิ้นส่วนที่กำลังเคลื่อนที่ สายไฟที่ชำรุดหรือพันกันเป็นการเพิ่มความเสี่ยงต่อการเกิดไฟฟ้าช็อต
- ๕) เมื่อใช้เครื่องมือไฟฟ้านอกอาคาร ให้ใช้สายต่อพ่วงที่เหมาะสมสำหรับการใช้งานนอกอาคาร เพื่อลดความเสี่ยงต่อการเกิดไฟฟ้าช็อต
- ๖) หากไม่สามารถหลีกเลี่ยงการใช้เครื่องมือไฟฟ้าในบริเวณที่ชื้นแฉะได้ ให้ใช้อุปกรณ์ป้องกันไฟฟ้าสะสม (RCD) ที่จัดไว้ให้ การใช้ RCD จะเป็นการลดความเสี่ยงจากการถูกไฟฟ้าช็อต
- 3) ความปลอดภัยส่วนบุคคล**
- ๑) ตื่นตัวและมีสติกับสิ่งที่คุณกำลังทำ รวมทั้งใช้สามัญสำนึกในขณะที่กำลังใช้งานเครื่องมือไฟฟ้า ห้ามใช้เครื่องมือไฟฟ้าในขณะที่คุณกำลังเหนื่อยหรือได้รับอิทธิพลจากยา แอลกอฮอล์ หรือการรับประทานยาอย่าง การขาดความระมัดระวังในการใช้เครื่องมือไฟฟ้าแม้ชั่วขณะหนึ่งอาจทำให้บาดเจ็บสาหัสได้
- ๒) ใช้อุปกรณ์คุ้มครองความปลอดภัยส่วนบุคคลสวมอุปกรณ์ป้องกันดวงตาเสมอ อุปกรณ์ป้องกัน เช่น หน้ากากกันฝุ่น รองเท้านิรภัยกันลื่น หมวกนิรภัย หรืออุปกรณ์ป้องกันเสียงดังที่ใช้ในสภาวะที่เหมาะสมจะช่วยลดอาการบาดเจ็บทางร่างกาย
- ๓) ป้องกันเครื่องเปิดทำงานโดยไม่ตั้งใจ สวิตช์ต้องอยู่ในตำแหน่งปิดก่อนที่จะเสียบปลั๊กของเครื่องเข้ากับแหล่งจ่ายไฟ และ/หรือแบตเตอรี่หรือก่อนยกหรือหิ้วเครื่องมือ การยกเครื่องมือไฟฟ้าในขณะที่นิ้วอยู่ที่สวิตช์ หรือใช้เครื่องมือไฟฟ้าที่สวิตช์เปิดอยู่ อาจทำให้เกิดอุบัติเหตุได้
- ๔) ถอดกฏูญแจปรับแต่งหรือประแจออกก่อนเปิดสวิตช์เครื่องมือไฟฟ้า ประแจหรือกฏูญแจที่เสียบค้างอยู่ในชิ้นส่วนที่หมุนได้ของเครื่องมือไฟฟ้า อาจทำให้ได้รับบาดเจ็บได้
- ๕) ห้ามยื่นแขนง่าขณะใช้เครื่อง ควรยืนในท่าที่เหมาะสมและสมคตตลอดเวลา เพื่อช่วยในการควบคุมเครื่องมือไฟฟ้าได้อย่างขึ้นในสถานการณ์ที่ไม่คาดคคด
- ๖) แต่งกายให้เหมาะสม ห้ามสวมเสื้อผ่าหลวมหรือใส่เครื่องประดับ รวบผม ชายเสื้อ และถุงมือให้ห่างจากชิ้นส่วนที่กำลังหมุน เสื้อผ้าที่หลวมหรือยาวรุ่มร่าม เครื่องประดับ หรือผมที่ยาวอาจเข้าไปพันกับชิ้นส่วนที่กำลังหมุน
- ๗) หากมีอุปกรณ์สำหรับดูดและเก็บฝุ่น ต้องตรวจสอบให้แน่ใจว่าได้เชื่อมต่อกับและใช้งานอุปกรณ์นั้นอย่างเหมาะสม การใช้อุปกรณ์เก็บฝุ่นจะช่วยลดอันตรายที่เกี่ยวข้องกับฝุ่นได้
- 4) การใช้และการดูแลรักษาเครื่องมือไฟฟ้า**
- ๑) ห้ามฝืนใช้เครื่องมือไฟฟ้า เลือกลงใช้เครื่องมือไฟฟ้าที่ถูกต้องตรงกับลักษณะการใช้งานของคุณ เครื่องมือไฟฟ้าที่ถูกต้องย่อมทำงานได้ดีกว่าและปลอดภัยกว่า เมื่อใช้งานตามพคกคดที่เครื่องมือได้รับการออกแบบมา
- ๒) ห้ามใช้เครื่องมือไฟฟ้าถ้าสวิตช์เปิดปิดเครื่องไม่ทำงาน เครื่องมือไฟฟ้าที่ไม่สามารถควบคุมผ่านสวิตช์ได้ ถือว่ามีอันตรายและต้องส่งซ่อม
- ๓) ถอดปลั๊กของเครื่องมือไฟฟ้าออกจากแหล่งจ่ายไฟ และ/หรือ แบตเตอรี่ก่อนทำการปรับแต่ง เปลี่ยนอุปกรณ์เสริม หรือจคดเก็บมาตรการเพื่อความปลอดภัยเชิงป้องกันนี้จะช่วยลดความเสี่ยงในการเปลอเปิดเครื่องให้ทำงานโดยไม่ตั้งใจ
- ๔) เก็บเครื่องมือไฟฟ้าที่ไม่ได้ใช้งานไว้ให้พ้นมือเด็ก และไม่อนุญาตให้บุคคลที่ไม่คุ้นเคยกับเครื่องมือไฟฟ้าหรือข้อปฏิบัติเหล่านี้เป็นผู้ใช้เครื่องมือ เครื่องมือไฟฟ้าจะเป็นอันตรายหากอยู่ในมือผู้ใช้ที่ไม่มีความชำนาญ
- ๕) บำรุงรักษาเครื่องมือไฟฟ้า ตรวจสอบว่าชิ้นส่วนที่เคลื่อนที่ได้มีการวางไม่ตรงแนวหรือติดขัดหรือไม่ มีชิ้นส่วนที่แตกหักและสภาพอื่นใดที่อาจส่งผลต่อการทำงานของเครื่องมือไฟฟ้าหรือไม่ หากชำรุดเสียหาย ให้หน้า

เครื่องมือไปส่งซ่อมก่อนนำมาใช้ หากชำรุดเสียหายให้นำเครื่องมือไปส่งซ่อมก่อนนำมาใช้ อุบัติเหตุจำนวนมากเกิดจากการดูแลรักษาเครื่องมือไฟฟ้าไม่ดีพอ

- ๘) เครื่องมือตัดต้องคมและสะอาดอยู่เสมอ เครื่องมือตัดที่ได้รับการดูแลรักษาอย่างถูกต้องและมีขอบตัดคม จะมีปัญหาติดขัดน้อย และควบคุมได้ง่ายกว่า
- ๙) ใช้เครื่องมือไฟฟ้า อุปกรณ์เสริม และดอกสว่านหรือใบมีดของเครื่องมือ เป็นต้น ให้ตรงตามข้อปฏิบัติเหล่านี้ โดยพิจารณาถึงสภาพการทำงานและงานที่ทำเป็นสำคัญ การใช้เครื่องมือไฟฟ้าทำงานอื่นนอกเหนือจากที่กำหนดไว้ อาจทำให้เกิดอันตรายได้

5) การบริการ

- ก) ให้ช่างซ่อมที่มีความเชี่ยวชาญเป็นผู้ซ่อมเครื่องมือ และใช้อะไหล่แท้เท่านั้น ซึ่งจะช่วยรับประกันได้ว่าเครื่องมือไฟฟ้ายังมีความปลอดภัยอยู่

กฎความปลอดภัยเพิ่มเติมเฉพาะเครื่องมือ

ข้อปฏิบัติเพื่อความปลอดภัยสำหรับการใช้งานทุกประเภท

- ก) เครื่องมือไฟฟ้าไม่มีวัตถุประสงค์เพื่อการใช้งานเป็นเครื่องเจียร อ่านคำเตือน ข้อปฏิบัติเพื่อความปลอดภัยทั้งหมด รวมทั้งภาพประกอบ และข้อมูลจำเพาะที่ให้มา กับเครื่องมือไฟฟ้านี้ การไม่ปฏิบัติตามคำเตือนและข้อปฏิบัติเหล่านี้ อาจทำให้เกิดไฟฟ้าช็อต เกิดอัคคีภัย และ/หรือบาดเจ็บสาหัสได้
- ข) ไม่แนะนำให้ใช้เครื่องมือไฟฟ้านี้กับการทำงานประเภทขานตัด งานขัดด้วยกระดาษทราย งานขัดเงาหรือการใช้แปรงลวด การทำงานที่ไม่ตรงตามที่เครื่องมือได้รับการออกแบบมาอาจทำให้เกิดอันตรายและเกิดการบาดเจ็บได้
- ค) ไม่ควรใช้อุปกรณ์เสริมที่ไม่ได้รับการออกแบบมาโดยเฉพาะและไม่ได้รับการแนะนำจากบริษัทผู้ผลิตเครื่องมือ การที่อุปกรณ์เสริมสามารถต่อเข้ากับเครื่องมือไฟฟ้าของคุณได้นั้น ไม่ได้รับประกันว่าอุปกรณ์เสริมนั้นจะทำงานอย่างปลอดภัย
- ง) ความเร็วตามพิกัดของอุปกรณ์เสริมจะต้องเท่ากับความเร็วสูงสุดที่กำกับไว้บนเครื่องมือไฟฟ้าเป็นอย่างน้อย อุปกรณ์เสริมที่ต้องทำงานด้วยความเร็วมากกว่าพิกัดความเร็วของอุปกรณ์ อาจแตกหักและกระเด็นหลุดออกได้
- จ) เส้นผ่าศูนย์กลางด้านนอกและความหนาของอุปกรณ์เสริมของคุณจะต้องอยู่ในอัตราที่ระบุไว้ของเครื่องมือไฟฟ้าของคุณ อุปกรณ์เสริมที่มีขนาดไม่ถูกต้องไม่สามารถให้การป้องกันหรือควบคุมได้เพียงพอ
- ฉ) ขนาคูรีตีของแผ่นเจียร หน้าแปลน แผ่นรองหลัง หรืออุปกรณ์เสริมอื่นใดต้องเข้ากันได้พอดีกับแกนหมุนของเครื่องมือไฟฟ้า อุปกรณ์เสริมที่มีขนาดของรูไม่ตรงกันกับส่วนติดตั้งของเครื่องมือไฟฟ้าจะทำให้ขาดความสมดุล มีอาการสั่นผิดปกติ และอาจทำให้สูญเสียการควบคุมได้
- ช) ห้ามใช้อุปกรณ์เสริมที่ชำรุดเสียหาย ก่อนการใช้งานทุกครั้ง ให้ตรวจสอบอุปกรณ์เสริม เช่น แผ่นขัดเพื่อหาเศษวัสดุและรอยร้าว ตรวจสอบแผ่นรองเพื่อหาเศษวัสดุ การฉีกขาดหรือการสึกหรอที่มากเกินไป ตรวจสอบแปรงลวดเพื่อหาการหลวมหรือเส้นลวดที่แตกหัก ถ้าเครื่องมือไฟฟ้าหรืออุปกรณ์เสริมตกล่อน ให้ตรวจสอบหาการชำรุดเสียหายหรือติดตั้งอุปกรณ์เสริมที่ไม่ชำรุด หลังจากการตรวจสอบและติดตั้งอุปกรณ์เสริมแล้ว ตัวคุณและผู้ที่อยู่ใกล้เคียงต้องออกห่างจากแนวระนาบของอุปกรณ์เสริมที่กำลังหมุน และเปิดเครื่องมือไฟฟ้าที่ความเร็วสูงสุดโดยไม่มีภาระโหลดเป็นเวลาหนึ่งนาที โดยปกติ อุปกรณ์เสริมที่ชำรุดจะแตกออกในระหว่างการทดสอบนี้
- ซ) สวมอุปกรณ์คุ้มครองความปลอดภัยส่วนบุคคล ใช้หน้ากากป้องกัน แว่นตานิรภัย หรืออุปกรณ์ป้องกันดวงตาอื่น ๆ ตามลักษณะการใช้งาน สวมหน้ากากกันฝุ่น อุปกรณ์ป้องกันเสียงตึงตึงมือและผ้ากันเปื้อนที่สามารถป้องกันเศษชิ้นส่วนที่กรอหรือเศษชิ้นงานที่มีขนาดเล็ก อุปกรณ์ป้องกันดวงตาต้องสามารถกันเศษชิ้นงานที่ปลิวออกมาซึ่งเกิดจากการทำงานประเภทต่าง ๆ หน้ากากกันฝุ่นหรือหน้ากากป้องกันต้องสามารถกรองฝุ่นที่เกิดจากการทำงานของคุณได้ การอยู่กับเสียงดังมาก ๆ เป็นเวลานานอาจทำให้สูญเสียความสามารถในการได้ยิน

- ฅ) **กั้นผู้ที่อยู่ใกล้เคียงให้ออกห่างจากบริเวณพื้นที่ทำงานในระยะที่ปลอดภัย ทุกคนที่เข้าไปในบริเวณพื้นที่ทำงานต้องสวมใส่อุปกรณ์คุ้มครองความปลอดภัยส่วนบุคคล** เศษชิ้นส่วนของชิ้นงานหรือของอุปกรณ์เสริมอาจหลุดกระเด็นออกมา และอาจทำให้ได้รับบาดเจ็บในระยะเกินกว่าพื้นที่ทำงานโดยตรง
- ฉ) **จับเครื่องมือไฟฟ้าที่พื้นผิวส่วนที่ใช้จับซึ่งมีฉนวนบ่งกันเท่านั้น เมื่อทำงานประเภทใดก็ตามที่อุปกรณ์เสริมที่ใช้กับงานตัดอาจสัมผัสกับสายไฟที่ซ่อนอยู่หรือสายไฟของตัวเครื่องเอง** อุปกรณ์เสริมที่ใช้กับงานตัดที่สัมผัสกับสายไฟที่ "มีไฟฟ้า" อาจทำให้ส่วนของโลหะที่ถูกสัมผัส "มีไฟฟ้า" และทำให้ผู้ใช้เครื่องถูกไฟฟ้าช็อตได้
- ค) **วางสายไฟให้ห่างจากอุปกรณ์เสริมที่กำลังหมุน** หากคุณสูญเสียการควบคุม สายไฟอาจถูกตัดหรือตัดขาดและอาจดึงมือหรือแขนของคุณเข้าไปหาอุปกรณ์เสริมที่กำลังหมุนอยู่
- ง) **อย่าวางเครื่องมือไฟฟ้าจนกว่าอุปกรณ์เสริมจะหยุดสนิทแล้ว** อุปกรณ์เสริมที่กำลังหมุนอยู่อาจจับยึดพื้นผิวไว้และดึงเครื่องมือไฟฟ้าออกจากการควบคุมของคุณ
- จ) **ห้ามเปิดเครื่องมือไฟฟ้าในขณะที่หัวเครื่องมือไวยังง่าตัวของคุณ** การสัมผัสกับอุปกรณ์เสริมที่กำลังหมุนโดยไม่ได้ตั้งใจอาจทำให้เสื้อผ้าของคุณถูกเกี่ยวและดึงอุปกรณ์เสริมเข้ามาใกล้ตัว
- ฉ) **ทำความสะอาดช่องระบายอากาศของเครื่องมือไฟฟ้าเป็นประจำ** พัดลมของมอเตอร์จะดูดฝุ่นละอองเข้าไปในตัวเครื่องและการสะสมของผงโลหะมากเกินไปอาจทำให้เกิดอันตรายทางไฟฟ้าได้
- ฅ) **ห้ามเปิดใช้งานเครื่องมือไฟฟ้าใกล้กับวัสดุที่ติดไฟได้** ประกายไฟอาจทำให้วัสดุเหล่านี้ติดไฟได้
- ฉ) **ไม่ควรใช้อุปกรณ์เสริมที่ต้องเติมสารหล่อเย็นที่เป็นของเหลว** การใช้น้ำหรือของเหลวอื่นในการหล่อเย็นอาจทำให้ไฟฟ้าดูดหรือช็อตจนถึงแก่ความตายได้

**ข้อปฏิบัติเพื่อความปลอดภัยเพิ่มเติม
สำหรับการใช้งานทุกประเภท
การติดกลับและคำเตือนที่เกี่ยวข้อง**

การติดกลับคือปฏิกิริยาที่เกิดขึ้นแบบทันทีทันใดต่อแผ่นเจียรที่กำลังหมุน แผ่นรอง แปรรง หรืออุปกรณ์เสริมอื่น ๆ ที่ถูกหนีบหรือติดขัด การหนีบหรือการติดขัดจะทำให้ อุปกรณ์เสริมที่กำลังหมุนหยุดอย่างรวดเร็ว ซึ่งจะทำให้เครื่องมือไฟฟ้าที่ไม่มีการควบคุมถูกดึงไปในทิศทางที่ตรงกันข้ามกับการหมุนของอุปกรณ์เสริมในจุดที่ติดขัด ตัวอย่างเช่น ถ้าแผ่นขัดติดขัดหรือถูกหนีบโดยชิ้นงาน ขอบของแผ่นขัดที่กำลังเข้าไปสู่จุดหนีบอาจดันเข้าไปสู่พื้นผิวของวัสดุ ซึ่งจะทำให้แผ่นขัดเป็นออกหรือหลุดออก แผ่นขัดอาจกระเด็นไปหาหรือกระเด็นออกจากผู้ปฏิบัติงาน ทั้งนี้ขึ้นอยู่กับทิศทางเคลื่อนที่ของแผ่นขัดในจุดที่ถูกหนีบ แผ่นขัดยังอาจแตกหักภายใต้สภาวะเหล่านี้ อีกด้วย

การติดกลับเป็นผลมาจากการใช้งานเครื่องมืออย่างไม่ถูกวิธี และ/หรือขั้นตอนหรือสภาวะการใช้งานที่ไม่ถูกต้อง และสามารถหลีกเลี่ยงได้ด้วยการใช้มาตรการป้องกันที่เหมาะสมที่ให้อุ่นล่างนี้

- ก) **จับยึดเครื่องมือไฟฟ้าให้แน่นตลอดเวลา และวางตำแหน่งตัวและแขนเพื่อให้สามารถต้านแรงติดกลับได้** ไข่มือจับเสริมด้วยเสลมหากมีให้มา เพื่อให้สามารถควบคุมการติดกลับหรือผลจากแรงบิดได้อย่างเต็มที่ในระหว่างเริ่มเปิดเครื่อง ผู้ปฏิบัติงานสามารถควบคุมปฏิกิริยาของแรงบิดหรือแรงติดกลับได้ ถ้านำมาตรการที่เหมาะสมมาใช้
- ข) **ห้ามนำมือเข้าใกล้อุปกรณ์เสริมที่กำลังหมุนอยู่** อุปกรณ์เสริมอาจติดใส่มือได้
- ค) **อย่าให้ร่างกายของคุณอยู่ในบริเวณที่เครื่องมือไฟฟ้าจะเคลื่อนที่ไปได้ถ้ามีการติดกลับเกิดขึ้น** การติดกลับจะทำให้เครื่องมือเหวี่ยงกลับในทิศทางตรงกันข้ามกับการหมุนของแผ่นขัด ณ ตำแหน่งที่ติดขัด
- ง) **ใช้ความระมัดระวังเป็นพิเศษขณะทำงานที่มุมหรือขอบที่คม เป็นต้น หลีกเลี่ยงการทำให้อุปกรณ์เสริมกระดอนไปมาหรือติดขัด** มุมต่าง ๆ ขอบที่คม หรือการกระดอนไปมา มีแนวโน้มที่จะทำให้อุปกรณ์เสริมที่กำลังหมุนอยู่ติดขัด และทำให้สูญเสียการควบคุมหรือเกิดการติดกลับ
- จ) **ไม่ควรติดใบเลื่อยไม้แบบโซ่เลื่อยหรือใบเลื่อยแบบมีฟัน** ใบเลื่อยดังกล่าวจะทำให้เกิดการติดกลับบ่อยครั้งและสูญเสียการควบคุม

คำเตือนเพื่อความปลอดภัยทั่วไป สำหรับการเจียร

- ก) ใช้แผ่นเจียรชนิดที่แนะนำสำหรับเครื่องมือไฟฟ้าของคุณและอุปกรณ์ป้องกันที่ออกแบบมาสำหรับแผ่นเจียรที่เลือกโดยเฉพาะ แผ่นเจียรที่ไม่ได้ออกแบบมาให้เข้ากับเครื่องมือไฟฟ้าจะไม่ได้รับการป้องกันอย่างเพียงพอและไม่ปลอดภัย
- ข) ตัวครอบป้องกันต้องได้รับการติดตั้งเข้ากับเครื่องมือไฟฟ้าอย่างแน่นหนาและอยู่ในตำแหน่งที่มีความปลอดภัยสูงสุด เพื่อให้มีส่วนของแผ่นเจียรที่หันเข้าหาผู้ทำงานได้น้อยที่สุด ตัวครอบป้องกันนี้จะช่วยปกป้องผู้ทำงานจากชิ้นส่วนของแผ่นเจียรที่แตกหักและการสัมผัสกับแผ่นเจียรโดยไม่ตั้งใจ รวมทั้งประกายไฟที่อาจทำให้เสื้อผ้าติดไฟ
- ค) ต้องใช้แผ่นเจียรสำหรับการใช้งานที่แนะนำเท่านั้น ตัวอย่างเช่น ห้ามใช้ด้านข้างของแผ่นตัดกับงานเจียร แผ่นตัดแบบตัดมีวัตถุประสงค์เพื่อการเจียรแนวตั้ง แรงดันข้างที่กระทำกับแผ่นเหล่านี้อาจทำให้แผ่นแตกออกได้
- ง) ใช้หน้าแปลนแผ่นเจียรที่ไม่ชำรุดเสียหาย และเลือกขนาดและรูปร่างที่ถูกต้องเหมาะสมกับแผ่นเจียรที่คุณเลือกใช้ หน้าแปลนแผ่นเจียรที่เหมาะสมจะช่วยรองรับแผ่นเจียรไว้ ดังนั้นจึงลดการแตกหักของแผ่นเจียรที่อาจเกิดขึ้นได้ หน้าแปลนสำหรับแผ่นตัดอาจแตกต่างจากหน้าแปลนสำหรับแผ่นเจียร
- จ) ห้ามใช้แผ่นเก่าที่สึกมาจากเครื่องมือไฟฟ้าที่มีขนาดใหญ่กว่า แผ่นที่มีไว้สำหรับเครื่องมือไฟฟ้าขนาดใหญ่ไม่สามารถใช้ได้กับเครื่องมือที่มีความเร็วสูงกว่าหรือเครื่องมือที่เล็กกว่า และอาจแตกหักได้

ความเสี่ยงอื่น ๆ ที่ยังมีอยู่

แม้จะปฏิบัติตามข้อกำหนดด้านความปลอดภัยที่เกี่ยวข้องและใช้อุปกรณ์นิรภัย แต่ยังไม่สามารถหลีกเลี่ยงความเสี่ยงสะสมบางประเภทได้ ความเสี่ยงเหล่านั้นได้แก่:

- ความบกพร่องในการได้ยินเสียง
- ความเสี่ยงที่จะได้รับบาดเจ็บจากเศษชิ้นงานที่ลิวว่อน
- ความเสี่ยงที่จะเกิดรอยไหม้เนื่องจากอุปกรณ์เสริมที่ร้อนขึ้นในระหว่างใช้งาน

- ความเสี่ยงที่จะได้รับบาดเจ็บเนื่องจากการใช้งานติดต่อกันเป็นเวลานาน
- ความเสี่ยงที่จะได้รับฝุ่นของสารที่เป็นอันตราย

สัญลักษณ์บนเครื่องมือ

รูปภาพต่อไปนี้จะปรากฏบนเครื่องมือ:



โปรดอ่านคู่มือแนะนำการใช้งานก่อนใช้งาน



สวมอุปกรณ์ป้องกันหู



สวมอุปกรณ์ป้องกันดวงตา

ตำแหน่งของรหัสวันที่ (รูป 1)

รหัสวันที่ (e) ซึ่งรวมถึงปีที่ผลิต จะพิมพ์ไว้บนตัวเครื่องตัวอย่างเช่น:

2013 XX XX

ปีที่ผลิต

สิ่งที่อยู่ในบรรจุภัณฑ์

ภายในบรรจุภัณฑ์ประกอบด้วย:

- เครื่องมือเจียรไฟฟ้า 1 เครื่อง
- ตัวครอบป้องกัน 1 อัน
- มือจับเสริมด้านข้าง 1 ชิ้น
- ชุดหน้าแปลน 1 ชุด
- ประแจสลักสองขา 1 อัน
- คู่มือการใช้งาน 1 เล่ม
- โปรดตรวจหาร่องรอยความเสียหายของเครื่องมือชิ้นส่วน หรืออุปกรณ์เสริม ที่อาจเกิดขึ้นในระหว่างการขนส่ง
- โปรดอ่านและทำความเข้าใจคู่มือเล่มนี้ก่อนการใช้งาน

คำอธิบาย (รูป 1)



คำเตือน: ห้ามปรับแต่งเครื่องมือไฟฟ้าหรือชิ้นส่วนใด ๆ โดยเด็ดขาด เพราะอาจทำให้เครื่องมือชำรุดหรือได้รับบาดเจ็บได้

- ก) สวิตช์เปิดปิด

- ข) ตัวล็อกแกนหมุน
- ค) ตัวครอบป้องกัน
- ง) มือจับเสริมด้านข้าง

ถอด/ติดตั้งอุปกรณ์ยึดติดหรืออุปกรณ์เสริมใด ๆ ทุกครั้ง ก่อนต่อเครื่องมือใหม่อีกครั้ง ให้ถอดและปล่อยสวิตช์ไว้เพื่อให้แน่ใจว่าเครื่องมือปิดอยู่

วัตถุประสงค์ในการใช้งาน

เครื่องเจียรไฟฟ้า DW820 ได้รับการออกแบบมาสำหรับการเจียรระดับมืออาชีพ

ห้าม ใช้แผ่นเจียรที่ไม่ใช่แผ่นเจียรแบบกดกลางและจานผ้าทราย

ห้าม ใช้ในบริเวณที่เปียกชื้น หรือมีของเหลวไวไฟหรือแก๊สอยู่ในบริเวณดังกล่าว

เครื่องเจียรไฟฟ้าสำหรับงานหนักนี้เป็นเครื่องมือไฟฟ้าระดับมืออาชีพสำหรับงานหนักนี้เป็นเครื่องมือไฟฟ้าระดับมืออาชีพ

ห้าม ปล่อยให้เด็กสัมผัสกับเครื่องมือ ผู้ใช้งานที่ไม่มีประสบการณ์มาก่อนต้องได้รับการแนะนำเมื่อจะใช้เครื่องมือนี้

ความปลอดภัยทางไฟฟ้า

มอเตอร์ไฟฟ้าออกแบบมาเพื่อใช้กับแรงดันไฟฟ้าขนาดเดียวกันนั้น ต้องตรวจสอบกำลังไฟให้ตรงกับแรงดันไฟฟ้าบนแผ่นแสดงพิกัดเสมอ



เครื่องมือไฟฟ้าของ DEWALT ใช้ระบบฉนวนสองชั้นตามมาตรฐาน EN 60745 จึงไม่จำเป็นต้องใช้สายดิน

ถ้าสายไฟของตัวเครื่องชำรุดเสียหาย ต้องเปลี่ยนเป็นสายไฟที่จัดเตรียมมาเป็นพิเศษซึ่งสั่งซื้อได้จากศูนย์บริการของ DEWALT

การใช้สายพ่วง

ในกรณีที่จำเป็นต้องใช้สายพ่วง ให้ใช้สายพ่วง 3 ขั้วที่ผ่านการรับรองและเหมาะกับปริมาณไฟเข้าของอุปกรณ์ (ดูที่ ข้อมูลด้านเทคนิค) ขนาดต่ำสุดของสายไฟคือ 1.5 มม.² ความยาวสูงสุดคือ 30 ม.

เมื่อใช้อุปกรณ์ม้วนเก็บสายไฟ ให้คลายสายไฟออกจนหมดก่อนทุกครั้ง

การประกอบและการปรับแต่ง



คำเตือน: เพื่อลดความเสี่ยงจากการได้รับบาดเจ็บรุนแรง ต้องปิดเครื่องมือและถอดปลั๊กเครื่องมือออกจากแหล่งจ่ายไฟก่อนทำการปรับตั้ง หรือทำการ

ใส่ตามจับด้านข้าง (รูป 1)



คำเตือน: ก่อนใช้เครื่องมือ ให้ตรวจสอบว่าได้ขันตามจับแน่นดีแล้ว

ขันตามจับด้านข้าง (d) ให้เข้าไปในรู (f) ที่อยู่ด้านใดด้านหนึ่งของเลื่อยเพื่อให้เห็น

การติดตั้งและการถอดตัวครอบป้องกัน (รูป 2)



คำเตือน: เพื่อลดความเสี่ยงจากการได้รับบาดเจ็บรุนแรง ต้องปิดเครื่องมือและถอดปลั๊กเครื่องมือออกจากแหล่งจ่ายไฟก่อนทำการปรับตั้ง หรือทำการถอด/ติดตั้งอุปกรณ์ยึดติดหรืออุปกรณ์เสริมใด ๆ ทุกครั้ง ก่อนต่อเครื่องมือใหม่อีกครั้ง ให้ถอดและปล่อยสวิตช์ไว้เพื่อให้แน่ใจว่าเครื่องมือปิดอยู่

วิธีติดตั้งตัวครอบป้องกัน

1. วางเครื่องเจียรไว้บนโต๊ะ โดยให้แกนหมุนหันขึ้นบน
2. กดตัวครอบป้องกันลง (รูป 2A)
3. จัดตำแหน่งให้ตัวครอบป้องกันอยู่ระหว่างตัวคุณกับชิ้นงาน
4. ขันสกรูที่ยึดปลอกกวดคอของแกนหมุนให้แน่น (รูป 2B)

วิธีถอดตัวครอบป้องกัน

1. คลายสกรูที่ยึดปลอกกวดคอของแกนหมุน
2. ยกตัวครอบป้องกันขึ้น



คำเตือน: ห้ามใช้เครื่องมือโดยไม่ได้ใส่ตัวครอบให้เข้าที่

หมายเหตุ: โปรดดู ตารางอุปกรณ์เสริมสำหรับการเจียรที่ตอนท้ายของส่วนนี้ เพื่อดูอุปกรณ์เสริมอื่นที่สามารถใช้กับเครื่องเจียรเหล่านี้ได้

การใส่และการถอดแผ่นเจียร (รูป 3, 4)



คำเตือน: ห้ามใช้แผ่นเจียรที่ชำรุดเสียหาย

- วางเครื่องมือไว้บนโต๊ะ ให้ตัวครอบป้องกันตั้งขึ้น
- ใส่หน้าแปลนด้านใน (g) เข้ากับแกนหมุน (h) (รูป 3) ให้ถูกต้อง
- วางแผ่นเจียร (i) ไว้บนหน้าแปลน (g) เมื่อใส่แผ่นเจียรโดยให้ตรงกลางตั้งขึ้นแล้ว ตรวจสอบให้แน่ใจว่าตรงกลางที่ตั้งขึ้น (i) ต้องหันไปทางหน้าแปลน (g)
- ขันหน้าแปลนด้านนอก (k) ลงบนแกนหมุน (h) (รูป 4) แหวนบนหน้าแปลน (k) ต้องหันไปทางแผ่นเจียรเมื่อติดตั้งแผ่นเจียร
- กดตัวล็อกแกนหมุน (b) และหมุนแกนหมุน (h) จนกระทั่งล็อกเข้าที่
- ขันหน้าแปลน (k) ด้วยประแจสลักสองขาที่ให้มาด้วย
- ปลดตัวล็อกแกนหมุน
- ถ้าต้องการถอดแผ่นเจียรออก ให้คลายหน้าแปลน (k) ด้วยประแจสลักสองขา

- หลีกเลี่ยงการใช้งานหนักเกินไป หากเครื่องมือร้อน ให้ปล่อยให้เครื่องทำงานโดยไม่มีภาระโหลดเป็นเวลาสองสามนาที

ตำแหน่งมือที่เหมาะสม (รูป 1, 5)



คำเตือน: เพื่อลดความเสี่ยงจากการได้รับบาดเจ็บสาหัส ให้จับเครื่องมือในตำแหน่งที่เหมาะสมดังแสดงในภาพเสมอ



คำเตือน: เพื่อลดความเสี่ยงจากการได้รับบาดเจ็บสาหัส จะต้องจับเครื่องมือให้แน่นทุกครั้ง เพื่อเตรียมรับมือหากเกิดการตอบสนองขึ้นแบบทันทีทันใด

ตำแหน่งการจับที่เหมาะสมจะต้องให้มือข้างหนึ่งอยู่บนด้ามจับด้านข้าง (d) และมืออีกข้างหนึ่งอยู่บนตัวเครื่องตามที่แสดงในรูป 5

การเปิดและปิดสวิตช์ (ภาพ 1)



คำเตือน: ก่อนใช้เครื่องมือ ให้ตรวจสอบว่าได้ขันด้ามจับแน่นดีแล้ว

กดสวิตช์เปิด/ปิด เพื่อเปิดเครื่อง (a)

หากต้องการใช้งานอย่างต่อเนื่อง ให้กดสวิตช์ไปข้างหน้าให้สุด

ปิดเครื่องมือโดยการปล่อยสวิตช์ หากต้องการหยุดเครื่องในขณะที่ใช้งานอย่างต่อเนื่อง ให้กดที่ส่วนหลังของสวิตช์



คำเตือน: ห้ามเปิดหรือปิดสวิตช์เครื่องมือในขณะที่มีภาระโหลด

ตัวล็อกแกนหมุน (รูป 1)

ตัวล็อกแกนหมุน (b) มีไว้เพื่อป้องกันแกนหมุนไม่ให้หมุนในเวลาที่ติดตั้งหรือถอดแผ่น ใช้ตัวล็อกแกนหมุนเฉพาะเมื่อได้ปิดเครื่องมือ ถอดปลั๊กออกจากแหล่งจ่ายไฟ และเครื่องมือได้หยุดสนิทแล้ว



ข้อสังเกต: เพื่อลดความเสี่ยงที่จะเกิดความเสียหายต่อเครื่องมือ ห้ามใช้ตัวล็อกแกนหมุนขณะเครื่องมือกำลังทำงาน มิฉะนั้นจะเกิดความเสียหายกับเครื่องมือได้ และอุปกรณ์เสริมที่นำมาต่ออาจหมุนออกมา ทำให้เกิดการบาดเจ็บได้

ถ้าต้องการล็อก ให้กดปุ่มล็อกแกนหมุน และหมุนแกนหมุนจนกระทั่งไม่สามารถหมุนต่อไปได้อีก

ก่อนการใช้งาน

- ติดตั้งตัวครอบป้องกันและแผ่นหรือล้อเจียรที่เหมาะสม อยาใช้แผ่นเจียรที่สึกมากเกินไป
- ตรวจสอบให้แน่ใจว่าได้ติดตั้งหน้าแปลนด้านในและด้านนอกอย่างถูกต้องแล้ว
- ตรวจสอบให้แน่ใจว่าแผ่นเจียรหรือล้อเจียรหมุนในทิศทางตามลูกศรบนอุปกรณ์เสริมและเครื่องมือ

การใช้งาน

วิธีการใช้เครื่องมือ



คำเตือน: ทำตามข้อปฏิบัติเพื่อความปลอดภัยและข้อกำหนดที่ให้ไว้เสมอ



คำเตือน: เพื่อลดความเสี่ยงจากการได้รับบาดเจ็บรุนแรง ต้องปิดเครื่องมือและถอดปลั๊กเครื่องมือออกจากแหล่งจ่ายไฟก่อนทำการปรับตั้ง หรือทำการถอด/ติดตั้งอุปกรณ์ยึดติดหรืออุปกรณ์เสริมใดๆ ทุกครั้ง ก่อนต่อเครื่องมือใหม่อีกครั้ง ให้กดและปล่อยสวิตช์ไว้เพื่อให้แน่ใจว่าเครื่องมือปิดอยู่



คำเตือน:

- ตรวจสอบให้แน่ใจว่าได้ยึดวัสดุทั้งหมดที่จะเจียรเข้าที่อย่างแน่นหนาแล้ว
- ออกแรงกดไปยังเครื่องมือเพียงเบา ๆ ห้ามออกแรงกดด้านข้างที่แผ่นเจียร

การใช้งานกับโลหะ

เมื่อจะใช้เครื่องมือในการทำงานกับโลหะ ต้องแน่ใจว่าได้มีการใส่อุปกรณ์ป้องกันไฟดูด (RCD) เพื่อหลีกเลี่ยงความเสี่ยงที่มีอยู่ที่เกิดจากเศษโลหะ

ตำแหน่งจ่ายไฟถูกปิดโดย RCD ให้นำเครื่องมือไปยังศูนย์ซ่อมที่ได้รับอนุญาตจาก DEWALT



คำเตือน: ในสภาพการทำงานหนัก อาจมีการสะสมฝุ่นที่เป็นสื่อไฟฟ้าภายในตัวเครื่องในเวลาที่ทำงานกับโลหะ ฝุ่นนี้อาจส่งผลให้อนวนป้องกันในเครื่องจักรเสื่อมประสิทธิภาพ และอาจเสี่ยงต่อการเกิดไฟช็อตได้

เพื่อหลีกเลี่ยงการสะสมของเศษโลหะภายในเครื่องจักร เราขอแนะนำให้ทำความสะอาดช่องระบายอากาศทุกวัน ดูหัวข้อ **การบำรุงรักษา**

การใช้งานผ้าทราย



คำเตือน: การสะสมของฝุ่นโลหะ การใช้งานผ้าทรายอย่างยาวนานในการทำงานกับโลหะอาจทำให้แนวโน้มที่จะเกิดไฟฟ้าช็อตเพิ่มสูงขึ้น เพื่อลดความเสี่ยงนี้ ให้ใส่อุปกรณ์ RCD ก่อนใช้งาน และทำความสะอาดช่องระบายอากาศโดยการเป่าลมอัดที่แห้งเข้าไปในช่องระบายอากาศตามคำแนะนำในการบำรุงรักษาด้านล่างนี้

การบำรุงรักษา

เครื่องมือไฟฟ้า DEWALT ออกแบบมาเพื่อให้สามารถใช้งานได้อย่างยาวนานโดยมีการบำรุงรักษาน้อยที่สุด การทำงานที่สร้างความพึงพอใจอย่างต่อเนื่องจะขึ้นอยู่กับ การดูแลรักษาที่เหมาะสมและการทำความสะอาดอย่างสม่ำเสมอ



คำเตือน: เพื่อลดความเสี่ยงจากการได้รับบาดเจ็บรุนแรง ต้องปิดเครื่องมือและถอดปลั๊กเครื่องมือออกจากแหล่งจ่ายไฟก่อนทำการปรับตั้ง หรือทำการถอด/ติดตั้งอุปกรณ์ยึดติดหรืออุปกรณ์เสริมใดๆ ทุกครั้ง ก่อนต่อเครื่องมือใหม่อีกครั้ง ให้กดและปล่อยสวิตช์ไว้เพื่อให้แน่ใจว่าเครื่องมือปิดอยู่

แปรงถ่านแบบตัดอัตโนมัติ

มอเตอร์จะปิดโดยอัตโนมัติเพื่อแสดงว่าแปรงถ่านเกือบจะสึกหมดแล้ว และต้องนำเครื่องมือเข้ารับการบริการ แปรงถ่านนี้ผู้ใช้ไม่สามารถซ่อมเองได้ โปรดนำเครื่องมือไปให้ศูนย์บริการ DEWALT ที่ได้รับอนุญาต



การหล่อลื่น

ไม่ต้องใช้สารหล่อลื่นเพิ่มเติมกับเครื่องมือไฟฟ้านี้



การทำความสะอาด



คำเตือน: เป่าสิ่งสกปรกและฝุ่นละอองที่สะสมออกจากตัวเครื่องเป็นประจำด้วยลมแห้ง เนื่องจากสิ่งสกปรกมักสะสมอยู่ภายในและรอบๆ ช่องระบายอากาศ สวมอุปกรณ์ป้องกันดวงตาและหน้ากากกันฝุ่นที่ได้มาตรฐานในขณะที่ดำเนินการขั้นตอนนี้



คำเตือน: ห้ามใช้สารที่เป็นตัวทำละลายหรือสารเคมีที่มีฤทธิ์กัดกร่อนรุนแรงอื่นๆ ทำความสะอาดชิ้นส่วนของเครื่องมือที่ไม่ใช่โลหะ สารเคมีเหล่านี้อาจส่งผลกระทบต่อชิ้นส่วนเหล่านี้ ใช้เฉพาะผ้าชุบน้ำสบู่อ่อนๆ เท่านั้น อย่าให้มีของเหลวใดๆ เข้าไปในเครื่องมือเด็ดขาด ห้ามจุ่มส่วนใด ๆ ของเครื่องมือลงในของเหลวเด็ดขาด

อุปกรณ์เสริม



คำเตือน: เนื่องจากอุปกรณ์เสริมอื่นนอกเหนือจากที่ DEWALT มีจำหน่ายไม่ได้ผ่านการทดสอบร่วมกับผลิตภัณฑ์นี้ การใช้อุปกรณ์เสริมดังกล่าวกับเครื่องมือนี้จึงอาจเป็นอันตรายได้ ลดความเสี่ยงจากการได้รับบาดเจ็บด้วยการใช้อุปกรณ์เสริมเฉพาะที่ DEWALT แนะนำให้ใช้ร่วมกับผลิตภัณฑ์นี้เท่านั้น

โปรดติดต่อตัวแทนจำหน่ายหากต้องการข้อมูลเพิ่มเติมเกี่ยวกับอุปกรณ์เสริมที่เหมาะสม

การปกป้องสิ่งแวดล้อม



การแยกเก็บ ห้ามทิ้งผลิตภัณฑ์นี้ร่วมกับขยะ
ในครัวเรือนปกติ

หากวันหนึ่งคุณจำเป็นต้องเปลี่ยนผลิตภัณฑ์ DEWALT
ของคุณ หรือเครื่องมือนี้ไม่เป็นประโยชน์สำหรับคุณอีก
ต่อไป อย่าทิ้งผลิตภัณฑ์นี้ร่วมกับขยะในครัวเรือน
จัดการกับผลิตภัณฑ์นี้เพื่อให้พร้อมสำหรับการคัดแยก
ขยะ



การเก็บรวบรวมแบบคัดแยกสำหรับบรรจุ
ภัณฑ์และผลิตภัณฑ์ที่ใช้แล้วทำให้สามารถ
รีไซเคิลวัสดุและนำมาใช้งานได้อีกครั้ง
การนำวัสดุรีไซเคิลมาใช้ใหม่จะช่วยป้องกัน
มลพิษต่อสิ่งแวดล้อมและลดความต้องการ
วัตถุดิบ

ตามกฎหมายระเบียบท้องถิ่นอาจมีการจัดเตรียมสถานที่
สำหรับการเก็บรวบรวมแบบคัดแยกอุปกรณ์ไฟฟ้าที่ใช้
ภายในครัวเรือนไว้ ณ แหล่งรับขยะของเทศบาล หรือ
อาจมีการรับอุปกรณ์ใช้แล้วจากผู้ค้าปลีกในกรณีที่คุณซื้อ
ผลิตภัณฑ์ชิ้นใหม่

คุณสามารถตรวจเช็คศูนย์บริการใกล้บ้านที่ได้รับอนุญาต
โดยติดต่อไปที่สำนักงาน DEWALT ประจำพื้นที่ ตามที่
อยู่
ที่ให้ไว้ในคู่มือเล่มนี้ หรือ คุณอาจตรวจเช็ครายชื่อศูนย์
บริการ DEWALT ที่ได้รับอนุญาต รวมทั้งรายละเอียด
ต่าง ๆ ของบริการหลังการขายได้ทางอินเทอร์เน็ต ที่:

www.2helpU.com

MÁY MÀI GÓC DW820

Xin chúc mừng!

Bạn đã chọn dụng cụ của DeWALT. Qua nhiều năm kinh nghiệm, những đổi mới và phát triển sản phẩm một cách toàn diện đã giúp DeWALT trở thành một trong những đối tác tin cậy nhất đối với người sử dụng dụng cụ điện cầm tay chuyên nghiệp.

Thông số kỹ thuật

	DW820/B1	DW820/XD	DW820/A9
Loại	1	1	1
Công suất đầu vào	W 680	680	680
Tốc độ không tải/định mức	phút ⁻¹ 11,000	11,000	11,000
Đường kính đĩa mài	mm 100	100	100
Độ dày đĩa mài	mm 6	6	6
Loại đĩa	27	27	27
Đường kính trục chính	M10	M10	M10
Trọng lượng	kg 1.87	1.87	1.87

Định nghĩa: Hướng dẫn an toàn

Các định nghĩa dưới đây mô tả mức độ nghiêm trọng của từng ký hiệu. Vui lòng đọc hướng dẫn sử dụng và chú ý đến các ký hiệu này.



NGUY HIỂM: Chỉ tình huống nguy hiểm sắp xảy ra mà, nếu không phòng tránh, sẽ gây tử vong hoặc chấn thương nghiêm trọng.



CẢNH BÁO: Chỉ tình huống nguy hiểm tiềm ẩn mà, nếu không phòng tránh, có thể gây tử vong hoặc chấn thương nghiêm trọng.



THẬN TRỌNG: Chỉ tình huống nguy hiểm tiềm ẩn mà, nếu không phòng tránh, có thể gây chấn thương vừa hoặc nhẹ.

LƯU Ý: Chỉ một hoạt động không liên quan đến chấn thương cá nhân mà, nếu không phòng tránh, có thể gây hư hỏng tài sản.



Biểu thị nguy cơ bị điện giật.



Biểu thị nguy cơ hỏa hoạn.



CẢNH BÁO: Để giảm nguy cơ chấn thương, hãy đọc sổ tay hướng dẫn.

Cảnh báo chung về an toàn đối với dụng cụ điện cầm tay



CẢNH BÁO! Hãy đọc tất cả các cảnh báo và hướng dẫn về an toàn. Việc không tuân theo các cảnh báo và hướng dẫn có thể dẫn đến điện giật, cháy nổ và/hoặc chấn thương nghiêm trọng.

LƯU LẠI MỌI HƯỚNG DẪN VÀ CẢNH BÁO ĐỂ THĂM KHẢO TRONG TƯƠNG LAI

Thuật ngữ “dụng cụ điện cầm tay” trong phần cảnh báo chỉ thiết bị chạy bằng điện nguồn (có dây điện) hoặc thiết bị chạy bằng pin (không có dây điện).

1) AN TOÀN TẠI NƠI LÀM VIỆC

- Giữ cho nơi làm việc luôn sạch sẽ và đủ ánh sáng.** Những khu vực bừa bộn hoặc thiếu ánh sáng dễ gây tai nạn.
- Không vận hành dụng cụ điện cầm tay trong các môi trường dễ cháy nổ, như các môi trường có chất lỏng, khí ga hoặc bụi dễ cháy.** Dụng cụ điện cầm tay tạo ra các tia lửa điện có thể gây cháy bụi hoặc bốc khói.
- Không cho trẻ em và những người quan sát lại gần khi đang vận hành dụng cụ điện cầm tay.** Những lúc xao lãng có thể khiến bạn mất kiểm soát.

2) AN TOÀN ĐIỆN

- Phích cắm của dụng cụ điện cầm tay phải vừa với ổ cắm. Không được sửa đổi phích cắm dưới bất kỳ hình thức nào. Không được sử dụng các phích cắm chuyển đổi với những dụng cụ điện cầm tay có nối đất.** Phích cắm không sửa chữa và ổ cắm phù hợp sẽ giảm nguy cơ bị điện giật.
- Tránh tiếp xúc với các bề mặt được nối đất như đường ống, lò sưởi, bếp nướng và tủ lạnh.** Nguy cơ bị điện giật sẽ cao hơn nếu cơ thể bạn nối đất.
- Không được để các dụng cụ điện cầm tay ngoài trời mưa hoặc nơi ẩm ướt.** Nước vào trong dụng cụ điện cầm tay sẽ làm tăng nguy cơ bị điện giật.
- Không được dùng dây điện cho các mục đích khác. Tuyệt đối không sử dụng dây điện để mang, kéo hoặc rút phích cắm dụng cụ điện cầm tay. Để dây điện cách xa nguồn nhiệt, dầu mỡ, các cạnh sắc hoặc các bộ phận chuyển động.** Dây điện bị hỏng hoặc bị vướng sẽ làm tăng nguy cơ bị điện giật.
- Khi vận hành dụng cụ điện cầm tay ngoài trời, hãy sử dụng dây nối dài phù hợp để sử dụng ngoài trời.** Sử dụng dây điện phù hợp để sử dụng ngoài trời sẽ giảm nguy cơ bị điện giật.

- f) **Nếu bắt buộc phải vận hành dụng cụ điện cầm tay ở nơi ẩm ướt, hãy sử dụng nguồn được bảo vệ bởi thiết bị ngắt mạch tự động (RCD).** Sử dụng RCD sẽ giảm nguy cơ bị điện giật.

3) AN TOÀN CÁ NHÂN

- a) **Hãy tập trung, chú ý vào những gì bạn đang làm và tình táo khi vận hành dụng cụ điện cầm tay. Không được sử dụng dụng cụ điện cầm tay khi bạn đang mệt hoặc chịu ảnh hưởng của rượu bia, ma túy hoặc chất kích thích.** Một khoảnh khắc mất tập trung trong khi vận hành dụng cụ điện cầm tay có thể dẫn đến chấn thương cá nhân nghiêm trọng.
- b) **Sử dụng thiết bị bảo hộ cá nhân. Luôn đeo kính bảo hộ.** Thiết bị bảo hộ như mặt nạ chống bụi, giày chống trượt, mũ cứng hoặc thiết bị bảo vệ tai nếu được sử dụng ở những điều kiện phù hợp sẽ giúp giảm các chấn thương cá nhân.
- c) **Tránh vô tình bật máy. Đảm bảo rằng công tắc ở vị trí tắt trước khi nối với nguồn điện và/hoặc pin, khi cầm lên hoặc mang dụng cụ.** Việc cầm dụng cụ điện cầm tay khi ngón tay đặt vào công tắc hoặc sạc pin cho dụng cụ điện cầm tay khi công tắc đang bật có thể gây tai nạn.
- d) **Hãy tháo hết khóa điều chỉnh hoặc cờ lê trước khi bật dụng cụ điện cầm tay.** Cờ lê hoặc khóa vẫn để ở bộ phận quay của dụng cụ điện cầm tay có thể dẫn đến chấn thương cá nhân.
- e) **Không được với tay. Hãy đứng ở tư thế thích hợp và luôn giữ thăng bằng.** Điều đó giúp kiểm soát dụng cụ điện cầm tay tốt hơn trong các tình huống không thể lường trước.
- f) **Mặc quần áo phù hợp. Không được mặc quần áo rộng hoặc đeo đồ trang sức. Giữ cho tóc, quần áo và găng tay tránh xa khỏi các bộ phận chuyển động.** Quần áo rộng, đồ trang sức hoặc tóc dài có thể bị vướng vào các bộ phận chuyển động.
- g) **Nếu các thiết bị được cung cấp để nối các phương tiện hút hoặc gom bụi, hãy đảm bảo những thiết bị này được nối và sử dụng đúng cách.** Sử dụng thiết bị gom bụi có thể giảm các nguy cơ liên quan đến bụi.

4) SỬ DỤNG VÀ BẢO QUẢN DỤNG CỤ ĐIỆN CẦM TAY

- a) **Sử dụng dụng cụ điện cầm tay phù hợp. Sử dụng dụng cụ điện cầm tay phù hợp với mục đích của bạn.** Sử dụng đúng dụng cụ điện cầm tay sẽ đem lại hiệu quả công việc tốt hơn và an toàn hơn theo đúng thiết kế.
- b) **Không sử dụng dụng cụ điện cầm tay nếu công tắc không bật và tắt được.** Những dụng

cụ điện cầm tay không điều khiển được bằng công tắc đều rất nguy hiểm và cần phải được sửa chữa.

- c) **Rút phích cắm dụng cụ điện cầm tay khỏi nguồn điện và/hoặc pin trước khi thực hiện các điều chỉnh, thay đổi phụ kiện hoặc cất giữ dụng cụ.** Các biện pháp an toàn phòng ngừa đó giúp giảm nguy cơ vô tình khởi động dụng cụ điện cầm tay.
- d) **Bảo quản các dụng cụ điện cầm tay không sử dụng tránh xa tầm tay trẻ em và không cho phép những người không quen với dụng cụ điện cầm tay hoặc những hướng dẫn này vận hành dụng cụ điện cầm tay.** Dụng cụ điện cầm tay sẽ rất nguy hiểm khi được sử dụng bởi những người chưa được huấn luyện.
- e) **Bảo trì dụng cụ điện cầm tay. Kiểm tra các bộ phận di chuyển xem có bị lắp lệch hoặc kẹt không, các bộ phận có bị vỡ không và bất kỳ tình trạng nào khác có thể ảnh hưởng đến việc vận hành dụng cụ điện cầm tay. Nếu dụng cụ điện cầm tay bị hỏng, hãy sửa chữa trước khi sử dụng.** Rất nhiều tai nạn xảy ra do công tác bảo trì các dụng cụ điện kém.
- f) **Giữ cho các dụng cụ cắt luôn sắc và sạch sẽ.** Các dụng cụ cắt được bảo trì đúng cách với các cạnh cắt sắc sẽ ít bị kẹt hơn và dễ điều khiển hơn.
- g) **Sử dụng dụng cụ điện cầm tay, các phụ kiện và mũi khoan, v.v...theo các chỉ dẫn này, để ý đến các điều kiện làm việc và công việc cần thực hiện.** Sử dụng dụng cụ điện cầm tay sai mục đích có thể gây nguy hiểm.

5) BẢO DƯỠNG

- a) **Hãy để nhân viên bảo dưỡng có chuyên môn tiến hành bảo dưỡng dụng cụ điện cầm tay cho bạn, chỉ sử dụng các phụ tùng thay thế chính hãng.** Điều này giúp đảm bảo độ an toàn của dụng cụ điện cầm tay đó.

CÁC QUY TẮC AN TOÀN CỤ THỂ BỔ SUNG

Hướng dẫn an toàn cho mọi hoạt động

- a) **Dụng cụ điện cầm tay này được thiết kế để hoạt động như máy mài. Đọc kỹ mọi cảnh báo an toàn, hướng dẫn, minh họa và thông số kỹ thuật đi kèm theo dụng cụ điện cầm tay này. Việc không tuân theo tất cả các hướng dẫn được liệt kê bên dưới có thể dẫn đến điện giật, cháy và/hoặc chấn thương nghiêm trọng.**

- b) **Không nên dùng dụng cụ điện cầm tay này cho các công việc cắt, chà nhám, chà ri, đánh bóng.** Các công việc không phù hợp với thiết kế của dụng cụ điện cầm tay này có thể gây nguy hiểm và chấn thương cá nhân.
- c) **Không sử dụng các phụ kiện không được thiết kế riêng cho dụng cụ này và không được khuyến cáo bởi nhà sản xuất.** Mặc dù có thể gắn phụ kiện vào dụng cụ điện cầm tay của bạn, nhưng điều đó không đảm bảo nó sẽ vận hành an toàn.
- d) **Tốc độ định mức của phụ kiện tối thiểu phải bằng với tốc độ tối đa được ghi trên dụng cụ điện cầm tay.** Các phụ kiện chạy nhanh hơn tốc độ định mức của chúng có thể vỡ và văng ra xa.
- e) **Đường kính ngoài và độ dày của phụ kiện phải nằm trong định mức kích cỡ của dụng cụ điện cầm tay.** Nếu sử dụng phụ kiện có kích thước không phù hợp, thiết bị sẽ không được bảo vệ hoặc kiểm soát tốt.
- f) **Kích cỡ trục của các bánh mài, mặt bích, tấm đỡ sau hoặc bất kỳ phụ kiện nào khác phải vừa khít với trục chính của dụng cụ điện cầm tay.** Các phụ kiện có lỗ tâm không khớp với vòng gá của dụng cụ điện cầm tay sẽ gây mất cân bằng, rung quá mức và có thể gây mất kiểm soát.
- g) **Không sử dụng phụ kiện đã hỏng. Trước khi dùng phải kiểm tra phụ kiện như đĩa mài có bị mòn không, có bị nứt, có mặt không, bạc lót có bị nứt, rách hoặc mòn quá không, chén (đĩa) đánh sét có bị lỏng hay dây có bị nứt không. Nếu để rơi dụng cụ điện cầm tay, phải kiểm tra dụng cụ có bị hỏng không và lắp lại phần phụ kiện chưa bị hỏng. Sau khi kiểm tra và lắp phụ kiện, bạn và những người quan sát nên đứng tránh xa mặt phẳng quay của phụ kiện và chạy dụng cụ điện cầm tay ở tốc độ không tải tối đa trong một phút.** Các phụ kiện bị hỏng thường sẽ vỡ thành từng mảnh trong thời gian chạy thử này.
- h) **Luôn mang thiết bị bảo hộ cá nhân. Tùy thuộc vào ứng dụng, sử dụng tấm che mặt, kính bảo hộ hoặc kính an toàn. Nếu có thể, đeo mặt nạ chống bụi, thiết bị bảo vệ tai, găng tay và tạp dề công nhân có khả năng cản các mảnh vỡ của phôi gia công hoặc mảnh vụn mài nhỏ.** Kính bảo hộ phải có khả năng cản các mảnh vụn văng ra được tạo ra từ nhiều thao tác khác nhau. Mặt nạ chống bụi hoặc khẩu trang phải có khả năng lọc các hạt sinh ra trong quá trình vận hành. Tiếp xúc với tiếng ồn cường độ cao trong thời gian dài có thể dẫn đến mất thính lực.
- i) **Đảm bảo những người quan sát luôn cách khu vực làm việc một khoảng cách an toàn. Bất kỳ người nào vào khu vực làm việc phải mang thiết bị bảo hộ cá nhân.** Các mảnh vụn phôi gia công hoặc phụ kiện vỡ có thể văng ra và gây chấn thương ngay trong khu vực vận hành.
- j) **Chỉ cầm dụng cụ điện cầm tay ở phần bề mặt tay cầm cách điện khi thực hiện thao tác mà phụ kiện cắt có thể tiếp xúc với hệ thống dây điện chím hoặc dây điện của chính dụng cụ.** Phụ kiện cắt tiếp xúc với dây "có điện" có thể khiến các bộ phận kim loại hở của dụng cụ điện cầm tay "nhiễm điện" và khiến người vận hành bị điện giật.
- k) **Đặt dây cách xa phụ kiện đang quay.** Nếu bạn mất kiểm soát, dây điện có thể bị cắt hoặc bị vướng vào và bàn tay hoặc cánh tay của bạn có thể bị cuốn vào phụ kiện đang quay.
- l) **Tuyệt đối không được đặt dụng cụ điện cầm tay xuống cho đến khi phụ kiện đã dừng hẳn.** Phụ kiện quay có thể găm vào bề mặt và kéo dụng cụ điện cầm tay ra khỏi tầm kiểm soát của bạn.
- m) **Không vận hành dụng cụ điện cầm tay khi đang xách bên mình.** Vô tình tiếp xúc với phụ kiện đang quay có thể làm quần áo bị vướng vào, kéo phụ kiện vào người.
- n) **Thường xuyên vệ sinh các lỗ thông khí của dụng cụ điện cầm tay.** Quạt sẽ hút bụi bên trong khoang động cơ. Quá nhiều kim loại vụn tích tụ trong khoang động cơ có thể gây ra những nguy hiểm về điện.
- o) **Không vận hành dụng cụ điện cầm tay gần các vật liệu dễ cháy.** Tia lửa có thể làm các vật liệu này bốc cháy.
- p) **Không sử dụng các phụ kiện cần có chất làm mát dạng lỏng.** Sử dụng nước hoặc chất làm mát dạng lỏng khác có thể dẫn đến bị điện giật hoặc sốc điện.

HƯỚNG DẪN AN TOÀN BỔ SUNG CHO MỌI HOẠT ĐỘNG

Lực giật ngược và các cảnh báo liên quan

Lực giật ngược là phản ứng bất ngờ của đĩa mài, tấm đỡ sau, chổi than hoặc bất kỳ phụ kiện đang quay nào khác khi bị kẹt hoặc bị vướng. Khi bị vướng hoặc kẹt, phụ kiện đang quay sẽ dừng lại nhanh chóng khiến cho người vận hành bị mất kiểm soát và dụng cụ điện cầm tay bị đẩy theo chiều ngược lại với chiều quay của phụ kiện tại điểm kẹt.

Ví dụ: nếu đĩa mài bị vướng hoặc kẹt vào phôi gia công, cạnh của đĩa mài đang tiến vào điểm kẹt có thể cắm sâu vào bề mặt của vật liệu khiến cho đĩa nảy lên

hoặc văng ra. Đĩa mài có thể văng về phía người vận hành hoặc văng ra ngoài, tùy thuộc vào chiều chuyển động của đĩa tại thời điểm bị kẹt. Đĩa mài cũng có thể vỡ ra trong điều kiện này.

Lực giặt ngược là hậu quả của việc sử dụng máy sai quy cách và/hoặc quy trình hoặc điều kiện vận hành không đúng và có thể phòng tránh được bằng cách thực hiện các biện pháp phòng ngừa phù hợp như sau:

- a) **Cầm chắc dụng cụ điện cầm tay làm việc đồng thời định vị người và tay để bạn có thể cầm được lực giặt ngược. Luôn sử dụng tay cầm phụ, nếu có, để kiểm soát tối đa lực giặt ngược hoặc phản ứng mômen trong quá trình khởi động.** Người vận hành có thể kiểm soát phản ứng mô men hoặc lực giặt ngược nếu thực hiện các biện pháp phòng ngừa phù hợp.
- b) **Tuyệt đối không đặt tay gần phụ kiện đang quay.** Phụ kiện có thể giặt ngược vào tay bạn.
- c) **Không đứng trong khu vực mà dụng cụ điện cầm tay sẽ di chuyển tới nếu xảy ra tình trạng giặt ngược.** Lực giặt ngược sẽ đẩy dụng cụ theo chiều ngược lại với chiều chuyển động của đĩa mài tại điểm bị kẹt.
- d) **Đặc biệt cẩn thận khi làm việc với các góc, cạnh sắc, v.v... Tránh để phụ kiện bị nảy lên và kẹt.** Các góc, cạnh sắc hoặc gờ nổi có xu hướng làm kẹt phụ kiện đang quay và gây mất kiểm soát hoặc lực giặt ngược.
- e) **Không gắn lưỡi cưa khắc gỗ dạng xích hoặc lưỡi cưa có răng.** Những lưỡi cưa này thường xuyên tạo ra lực giặt lại và gây mất kiểm soát.

Cảnh báo an toàn riêng khi Mài

- a) **Chỉ sử dụng loại đĩa mài được khuyến dùng cho dụng cụ điện cầm tay của bạn và vành chắn riêng được thiết kế cho đĩa mài đã chọn.** Đĩa mài không được thiết kế cho dụng cụ điện cầm tay này sẽ không được bảo vệ thích đáng và không an toàn.
- b) **Vành chắn phải được gắn chắc chắn vào dụng cụ điện cầm tay và định vị để đảm bảo an toàn tối đa, sao cho phần đĩa mài lộ ra ngoài hướng về người vận hành là nhỏ nhất.** Vành chắn giúp bảo vệ người vận hành khỏi mảnh vụn của đĩa mài bị vỡ và tránh vô tình tiếp xúc với đĩa mài.
- c) **Chỉ sử dụng đĩa mài cho các ứng dụng được khuyến nghị. Ví dụ: không mài bằng cạnh đĩa.** Đĩa mài được sử dụng để mài cạnh bên; lực bên tác dụng vào các đĩa mài này có thể làm cho đĩa mài bị vỡ.
- d) **Luôn sử dụng mặt bích đĩa mài còn tốt, có kích thước và hình dạng phù hợp với đĩa mài đã chọn.** Mặt bích đĩa phù hợp sẽ đỡ được đĩa,

do đó làm giảm nguy cơ vỡ đĩa. Mặt bích cho đĩa mài cần có thể khác với mặt bích đĩa mài nhẵn.

- e) **Không sử dụng đĩa mài đã mòn của các dụng cụ điện cầm tay lớn hơn.** Đĩa được sử dụng cho dụng cụ điện cầm tay lớn không thích hợp với tốc độ cao hơn của dụng cụ nhỏ và có thể bị vỡ.

Các nguy cơ khác

Kể cả việc áp dụng các quy tắc an toàn liên quan và dùng các thiết bị an toàn cũng không thể tránh được một số nguy cơ còn lại. Những nguy cơ này gồm:

- Suy giảm thính lực
- Nguy cơ chấn thương cá nhân do các hạt bay vào người.
- Nguy cơ bị bỏng do các phụ kiện trở nên nóng trong khi vận hành.
- Nguy cơ chấn thương cá nhân do sử dụng trong thời gian dài.
- Nguy cơ hít phải bụi từ các chất độc hại.

Ký hiệu trên máy

Trên máy có các ký hiệu sau:



Đọc kỹ hướng dẫn sử dụng trước khi dùng.



Mang thiết bị bảo vệ tai.



Đeo kính bảo hộ.

VỊ TRÍ MÃ NGÀY (HÌNH 1)

Mã ngày (e), bao gồm cả năm sản xuất, được in trên vỏ máy.

Ví dụ:
2013 XX XX

Năm sản xuất

Thiết bị trong hộp

Hộp sản phẩm bao gồm:

- 1 Máy mài góc
- 1 Vành chắn
- 1 tay cầm bên
- 1 bộ mặt bích
- 1 cờ lê hai đầu
- 1 Hướng dẫn sử dụng

- Kiểm tra dụng cụ, các bộ phận hoặc phụ kiện xem có bị hư hỏng do quá trình vận chuyển hay không.
- Dành thời gian đọc kỹ và hiểu rõ hướng dẫn sử dụng trước khi vận hành máy.

Mô tả (hình 1)



CẢNH BÁO: Không chỉnh sửa dụng cụ điện cầm tay hay bất kỳ bộ phận nào của máy. Việc chỉnh sửa có thể làm hỏng máy hoặc gây chấn thương cá nhân.

- a. Công tắc bật/tắt
- b. Khóa hãm trục
- c. Vành chắn
- d. Tay cầm bên

MỤC ĐÍCH SỬ DỤNG

Máy mài góc DW820 được thiết kế cho công tác mài chuyên nghiệp.

KHÔNG sử dụng các loại đĩa mài khác ngoài loại đĩa lõm tâm và đĩa nhám xép.

KHÔNG sử dụng máy ở những nơi ẩm ướt hoặc có chất lỏng hoặc khí dễ cháy.

Loại máy mài góc công suất lớn này là dụng cụ điện cầm tay chuyên nghiệp.

KHÔNG để trẻ em lại gần dụng cụ. Cần phải có người giám sát khi dụng cụ này được vận hành bởi người chưa có kinh nghiệm.

An toàn điện

Động cơ điện được thiết kế để sử dụng tại một mức điện áp duy nhất. Luôn kiểm tra nguồn điện vào xem có tương ứng với điện áp trên tấm định mức hay không.



Dụng cụ DEWALT này có hai lớp cách điện theo tiêu chuẩn EN 60745; do đó không cần dây nối đất.

Nếu dây điện bị hỏng, phải thay mới bằng loại dây chuyên dụng có bán tại cơ sở bảo dưỡng của DEWALT.

Sử dụng dây điện nối dài

Nếu cần dây điện nối dài, hãy sử dụng loại dây 3 lõi được chấp nhận là phù hợp cho dụng cụ này (xem phần Thông số kỹ thuật). Kích thước dây dẫn tối thiểu là 1,5 mm²; chiều dài tối đa là 30 m.

Khi sử dụng tang dây, luôn trải hết dây ra.

LẮP RÁP VÀ ĐIỀU CHỈNH



CẢNH BÁO: Để giảm nguy cơ chấn thương cá nhân nghiêm trọng, hãy tắt máy và ngắt kết nối khỏi nguồn điện trước khi thực hiện bất kỳ điều chỉnh nào hoặc tháo/lắp các đồ gá hoặc phụ kiện. Trước khi cầm lại máy, hãy bấm và nhả công tắc khởi động để đảm bảo máy đã tắt.

Gắn tay cầm bên (hình 1)



CẢNH BÁO: Trước khi sử dụng dụng cụ, kiểm tra xem tay cầm đã được gắn chặt chưa.

Bắt vít tay cầm bên (d) chặt vào một trong các lỗ (f) trên mặt bên của hộp tốc độ.

Lắp và tháo vành chắn (hình 2)



CẢNH BÁO: Để giảm nguy cơ chấn thương cá nhân nghiêm trọng, hãy tắt máy và ngắt kết nối khỏi nguồn điện trước khi thực hiện bất kỳ điều chỉnh nào hoặc tháo/lắp các đồ gá hoặc phụ kiện. Trước khi cầm lại máy, hãy bấm và nhả công tắc khởi động để đảm bảo máy đã tắt.

CÁCH LẮP VÀNH CHẮN

1. Để máy mài góc lên bàn, trục chính hướng lên trên.
2. Ấn vành chắn xuống (hình 2A).
3. Đặt vành chắn ở giữa người và phôi gia công.
4. Vặn chặt vít giữ vòng đai quanh cổ trục chính (hình 2B)

CÁCH THÁO VÀNH CHẮN

1. Nới lỏng vít giữ vòng đai quanh cổ trục chính.
2. Nhấc vành chắn lên.



CẢNH BÁO: Tuyệt đối không sử dụng dụng cụ khi không có vành chắn.

LƯU Ý: Vui lòng xem **Biểu đồ phụ kiện** mài ở cuối phần này để biết các phụ kiện có thể sử dụng kèm loại máy mài này.

Lắp và tháo đĩa mài (hình 3, 4)



CẢNH BÁO: Không sử dụng đĩa bị hỏng.

1. Đặt máy lên bàn, vành chắn hướng lên trên.
2. Lắp mặt bích trong (g) đúng cách lên trục chính (h) (hình 3).

- Đặt đĩa (i) lên mặt bích (g). Khi lắp đĩa có lỗ tâm nhỏ ra, đảm bảo rằng lỗ tâm nhỏ ra (j) quay về phía mặt bích (g).
- Lắp mặt bích ngoài (k) vào trục chính (h) (hình 4). Vòng trên mặt bích (k) phải hướng về phía đĩa khi lắp đĩa mài.
- Nhấn khóa trục chính (b) và quay trục chính (h) cho tới khi trục khóa chặt lại.
- Vặn chặt mặt bích (k) bằng cờ lê hai đầu được cung cấp.
- Nhả khóa trục chính.
- Đề tháo đĩa, nới lỏng mặt bích (k) bằng cờ lê hai đầu.

chặt tay để tránh trường hợp bị giật lại đột ngột.

Vị trí tay phù hợp yêu cầu một tay đặt lên tay cầm bên (d), còn tay kia đặt lên thân máy, như mô tả trong hình 5.

Bật và tắt (hình 1)



CẢNH BÁO: Trước khi sử dụng dụng cụ, kiểm tra xem tay cầm đã được gắn chặt chưa.

Ấn công tắc bật/tắt (a) để vận hành dụng cụ.

Để vận hành liên tục, ấn hoàn toàn công tắc về phía trước.

Để dừng dụng cụ, nhả tay ra khỏi công tắc. Để dừng dụng cụ trong khi vận hành liên tục, nhấn vào phần sau của công tắc.



CẢNH BÁO: Không bật hoặc tắt máy khi đang chạy có tải.

Khóa trục chính (hình 1)

Khóa trục chính (a) được cung cấp để ngăn không cho trục chính quay trong khi lắp hoặc tháo đĩa. Chỉ bật khóa trục chính khi đã tắt máy, rút phích cắm khỏi nguồn điện, và máy dừng hẳn.



LƯU Ý: Để giảm nguy cơ gây hư hỏng cho máy, không bật khóa trục chính khi máy đang vận hành. Máy sẽ bị hỏng và phụ kiện gá có thể văng ra gây chấn thương.

Để bật khóa, ấn nút khóa trục chính và quay trục chính cho đến khi không thể quay thêm được nữa.

Sử dụng đối với kim loại

Khi sử dụng máy đối với kim loại, nhớ lắp thiết bị ngắt mạch tự động (RCD) để tránh các nguy cơ khác do các mặt kim loại gây ra.

Nếu nguồn điện bị ngắt bởi RCD, hãy mang máy đến đại lý sửa chữa được ủy quyền của DeWALT.



CẢNH BÁO: Ở các điều kiện làm việc khắc nghiệt, bụi dẫn điện có thể tích tụ bên trong máy khi làm việc với kim loại. Tình trạng này có thể khiến lớp cách điện trong máy bị xuống cấp, gây ra nguy cơ bị điện giật.

Để tránh việc mặt kim loại tích tụ trong máy, hàng ngày người vận hành nên lau sạch các khe thông gió. Xem mục Bảo trì.

Sử dụng đĩa nhám xếp



CẢNH BÁO: Bụi kim loại tích tụ. Việc sử dụng đĩa nhám xếp trong thời gian dài trên kim loại có thể làm tăng nguy cơ bị điện

Trước khi vận hành

- Lắp vành chắn và loại đĩa phù hợp. Không sử dụng đĩa mài đã bị mòn quá mức.
- Đảm bảo các mặt bích trong và ngoài được gắn chính xác.
- Đảm bảo đĩa mài quay theo hướng mũi tên trên phụ kiện và dụng cụ.

VẬN HÀNH

Hướng dẫn Sử dụng



CẢNH BÁO: Luôn chú ý hướng dẫn và quy tắc hiện hành về an toàn.



CẢNH BÁO: Để giảm nguy cơ chấn thương cá nhân nghiêm trọng, hãy tắt máy và ngắt kết nối khỏi nguồn điện trước khi thực hiện bất kỳ điều chỉnh nào hoặc tháo/lắp các đồ gá hoặc phụ kiện. Trước khi cắm lại máy, hãy bấm và nhả công tắc khởi động để đảm bảo máy đã tắt.



CẢNH BÁO:

- Bảo quản các vật liệu nối đất đúng chỗ.
- Chỉ tác dụng lực nhẹ lên dụng cụ. Không tác dụng lực ngang lên đĩa.
- Tránh quá tải. Nếu dụng cụ nóng quá, hãy để dụng cụ chạy ở điều kiện không tải trong một vài phút.

Vị trí tay phù hợp (hình 1, 5)



CẢNH BÁO: Để giảm nguy cơ chấn thương cá nhân nghiêm trọng, **LUÔN** để tay ở vị trí phù hợp như trong hình vẽ.



CẢNH BÁO: Để giảm nguy cơ chấn thương cá nhân nghiêm trọng, **LUÔN** giữ

giặt. Để giảm nguy cơ này, hãy lắp RCD trước khi sử dụng và lau sạch các khe thông gió hàng ngày bằng cách thổi khí nén khô vào các khe thông gió theo các hướng dẫn bảo trì bên dưới.

BẢO TRÌ

Dụng cụ điện cầm tay của DEWALT được thiết kế để vận hành trong thời gian dài và ít phải bảo trì nhất. Dụng cụ vận hành liên tục theo ý muốn tùy thuộc vào việc bảo quản dụng cụ đúng cách và vệ sinh thường xuyên.



CẢNH BÁO: Để giảm nguy cơ chấn thương cá nhân nghiêm trọng, hãy tắt máy và ngắt kết nối khỏi nguồn điện trước khi thực hiện bất kỳ điều chỉnh nào hoặc tháo/lắp các đồ gá hoặc phụ kiện. Trước khi cầm lại máy, hãy bấm và nhả công tắc khởi động để đảm bảo máy đã tắt.

Chối bị mòn

Động cơ sẽ tự động tắt khi chổi than sắp mòn và dụng cụ cần được bảo dưỡng. Người dùng không được tự ý bảo trì chổi than. Hãy mang dụng cụ tới đại lý sửa chữa được ủy quyền của DEWALT.



Tra dầu

Dụng cụ điện cầm tay này không cần tra thêm dầu.



Vệ sinh



CẢNH BÁO: Thường xuyên thổi bụi bẩn khỏi vỏ dụng cụ khi thấy bám bụi xung quanh các khe thông gió. Đeo kính bảo hộ và mặt nạ chống bụi được phê duyệt khi thực hiện quy trình này.



CẢNH BÁO: Tuyệt đối không sử dụng các dung môi và hóa chất mạnh để vệ sinh các bộ phận không làm bằng kim loại của dụng cụ. Các hóa chất này có thể làm tổn hại đến các nguyên vật liệu sử dụng trong các bộ phận này. Chỉ sử dụng khăn được làm ẩm bằng nước và xà phòng có tính tẩy nhẹ. Tuyệt đối không để chất lỏng lọt vào bên trong dụng cụ; không bao giờ ngâm các bộ phận của dụng cụ vào chất lỏng.

Các phụ kiện tùy chọn



CẢNH BÁO: Do các phụ kiện, không phải các phụ kiện do DEWALT CUNG CẤP, chưa được kiểm nghiệm với sản phẩm này; nên việc sử dụng các phụ kiện đó với sản phẩm này có thể gây nguy hiểm. Để giảm nguy cơ chấn thương, chỉ được sử dụng các phụ kiện do DEWALT khuyến nghị cho sản phẩm này.

Hỏi ý kiến đại lý bạn để biết thêm thông tin về các phụ kiện phù hợp.

Bảo vệ môi trường



Thu gom riêng. Không được vứt bỏ sản phẩm này với rác thải gia đình thông thường.

Nếu sản phẩm DEWALT của bạn cần phải thay thế, hoặc bạn không sử dụng nó trong tương lai nữa, đừng vứt bỏ cùng với rác thải gia đình. Sản phẩm này phải được thu gom riêng.



Thu gom riêng sản phẩm và bao bì đóng gói đã qua sử dụng sẽ cho phép tái chế và tái sử dụng vật liệu. Tái sử dụng vật liệu tái chế giúp ngăn chặn ô nhiễm môi trường và giảm nhu cầu vật liệu thô.

Luật lệ địa phương có thể quy định việc thu gom riêng các sản phẩm điện gia dụng tại các bãi rác thải đô thị hoặc bởi những người bán lẻ khi bạn mua sản phẩm mới.

DEWALT cung cấp nơi thu gom và tái chế các sản phẩm của DEWALT khi các sản phẩm này đã hết hạn sử dụng. Để sử dụng dịch vụ này, vui lòng trả lại sản phẩm cho đại lý sửa chữa được ủy quyền, nơi thay mặt công ty chúng tôi thu gom các sản phẩm này.

Bạn có thể kiểm tra vị trí của đại lý sửa chữa được ủy quyền gần nhất bằng cách liên hệ với văn phòng DEWALT tại nơi bạn sống theo địa chỉ cung cấp trong tài liệu hướng dẫn này. Ngoài ra, chúng tôi cũng cung cấp danh sách các đại lý sửa chữa được ủy quyền của DEWALT và toàn bộ thông tin chi tiết về dịch vụ hậu mãi và các thông tin liên hệ tại website: www.2helpU.com.

**SERVICE CENTER
LOCATOR**



China 中华人民共和国

Beijing: Room 106, Unit 3, Building 2, ZiFangYuan LiuQu,
FengTai District, Beijing. Post Code: 100078
北京市：北京市丰台区紫芳园六区2号楼1层3单元106号。邮编：100078
Shanghai: 419 North Zhong Shan Road, Shanghai 200070
上海市：上海市中山北路419号。邮编：200070
Guangzhou: Unit 14, No. 1, Huimei Street, Guangzhou Dadaonan Road,
Haizhu District, Guangzhou, China (510310)
广州市：广州市海珠区广州大道南路汇美街1号之14号铺。邮编：510310
www.dewalt.com.cn

☎ (86-10) 6552 2788
(86-10) 6552 2799
☎ (86-10) 6552 2425
☎ (86-21) 5308 9566
☎ (86-21) 5308 9565
☎ (86-20) 8190 3148
(86-20) 8190 3150
☎ (86-20) 8190 3143

Korea

1F Jaeseung Bldg. 770-6 Yeoksam-Dong Gangnam-Gu Seoul Korea
서울시 강남구 역삼동 770-6 재승빌딩 1층
Black and Decker: www.blackanddecker.co.kr
DeWALT: www.dewalt.co.kr

☎ 080-515-0909
(82-2) 3016 9200
☎ (82-2) 3016 9203

Malaysia

15-1 & 15-2, Jalan SS23/15, Tamana SEA, 47400
Petaling Jaya, Selangor, Malaysia
Email: my.service@sbdinc.com

☎ (60-03) 7880 1913
☎ (60-03) 7880 5191

Philippines

G/F VSK Corporate Circle Bldg. Shaw Blvd. cor.
Acacia Lane Mandaluyong City
1552 Philippines
Email: ph.service@sbdinc.com

☎ (632) 533 9694/95
☎ (632) 532 8713

Singapore

No. 25, Senoko South Road,
Woodlands East Industrial Estate
Singapore 758081
Email: sg.service@sbdinc.com

☎ (65) 6747 1711
☎ (65) 6565 0363

Thailand

29 Bangkok Business Center 1st Floor, Room no.101,
Soi Ekamai, Sukhumvit 63 Rd, Klongton-Nua, Wattana,
Bangkok 10110, Thailand.
บริษัท แมคค ไดคคเคอร์ (ประเทศไทย) จำกัด เลขที่ 29
อาคารบางกอก บัสซิเนส เซ็นเตอร์ ชั้น 1 ห้องเลขที่ 101
ซอยเอกมัย ถนนสุขุมวิท 63 แขวงคลองตันเหนือ เขตวัฒนา
กรุงเทพฯ 10110
Email: th.service@sbdinc.com

☎ (66) 2714-4482
/101-105
☎ (66) 2714-4483

DeWALT 1-YEAR WARRANTY

DeWALT warrants this product for one year from date of purchase. We will repair, without charge, any defects due to faulty material and/or workmanship. Please return the complete unit, transportation prepaid, to any local DeWALT Service Center with valid DeWALT warranty card AND invoice/receipt copy.

This warranty card MUST be completed with the following information:

- customer name, telephone no.;
 - dealer name and chop;
 - date of purchase;
 - tool model and serial no.
- This warranty DOES NOT apply to:
- normal wear and tear parts: e.g. carbon brush, cord, plug, chuck and battery;
 - attachments and accessories;
 - unauthorized repair, alteration/modification;
 - damage caused by foreign objects, substances, accidents, obvious misuse, abuse, neglect and improper applications.
- These terms only cover the general warranty policy in the Asia region. Details may vary from country to country. Please consult the local DeWALT service center for more details.

保修條款:

對所有因生產過程或/及材質發生問題而導致機具未能正常操作，本公司作出一年保修承諾。

請自將機具送到當地之維修服務中心。並出示有效保修卡及購買憑證（如發票或收據）

保修卡上必須清楚地填寫以下資料：

- 貴客戶之姓名，聯絡電話
- 經銷商名稱及其蓋章
- 購買日期
- 機具型號及機身編號
- 以下情況不被包括在保修範圍內：
 - 正常消耗零件及配件(如碳刷,開關,夾頭,電源線,電池...等)；
 - 隨機附送之配件
 - 未經授權之維修及機具被自行改裝；
 - 明顯之人為損壞或發現不依照操作說明使用而引致產品損壞。

此條款只適用於亞太地區，而每個國家在執行上述條款時可能會有些許差異，為保障貴客戶利益，若有任何疑問，請與當地維修服務中心聯絡。

保修條款:

對所有因生產過程或/及材質發生問題而導致機具未能正常操作，本公司作出一年保修承諾。

請自將機具送到當地之維修服務中心。並出示有效保修卡及購買憑證（如發票或收據）

保修卡上必須清楚地填寫以下資料：

- 貴客戶之姓名，聯絡電話
- 經銷商名稱及其蓋章
- 購買日期
- 機具型號及機身編號
- 以下情況不被包括在保修範圍內：
 - 正常消耗零件及配件(如碳刷,開關,夾頭,電源線,電池...等)；
 - 隨機附送之配件
 - 未經授權之維修及機具被自行改裝；
 - 明顯之人為損壞或發現不依照操作說明使用而引致產品損壞。

此條款只適用於亞太地區，而每個國家在執行上述條款時可能會有些許差異，為保障貴客戶利益，若有任何疑問，請與當地維修服務中心聯絡。

Affrix Stamp
here
在此貼上專章
在此貼上專章



請將此部份保修卡寄回當地之維修服務中心。

Company Copy 公司記錄 公司記錄



Customer Name: Mr. 先生
Miss 小姐
Mrs 太太

客戶姓名: Miss 小姐
Mrs 太太

Address: _____
地址: _____

Tel No.: 電話: 電話: _____

Tool Model: _____
機具型號: _____
機身編號/生產日期編號: _____
機具型號: _____

Charger Model: _____
充電器型號: _____
充電器型號: _____
機身編號/生產日期編號: _____

Date of Purchase: _____
購買日期: _____
購買日期: _____
發票/收據編號: _____
發票/收據編號: _____

Dealer's name: _____
經銷商名稱: _____
經銷商名稱: _____

Tel No.: 電話: 電話: _____

Dealer Chop: _____
經銷商蓋章: _____
經銷商蓋章: _____

Only applicable for cordless tools.
請於購買機具後14天內將此部份保修卡寄回當地之維修服務中心。
只適用於充電式工具。

請于購買機具後14天內將此部份保修卡寄回當地之維修服務中心。
只適用於充電式工具。

請于購買機具後14天內將此部份保修卡寄回當地之維修服務中心。
只適用於充電式工具。

請保留此部份保修卡

Customer Copy 客戶記錄 客戶記錄



Customer Name: Mr. 先生
Miss 小姐
Mrs 太太

客戶姓名: Miss 小姐
Mrs 太太

Address: _____
地址: _____

Tel No.: 電話: 電話: _____

Tool Model: _____
機具型號: _____
機身編號/生產日期編號: _____
機具型號: _____

Charger Model: _____
充電器型號: _____
充電器型號: _____
機身編號/生產日期編號: _____

Date of Purchase: _____
購買日期: _____
購買日期: _____
發票/收據編號: _____
發票/收據編號: _____

Dealer's name: _____
經銷商名稱: _____
經銷商名稱: _____

Tel No.: 電話: 電話: _____

Dealer Chop: _____
經銷商蓋章: _____
經銷商蓋章: _____

Only applicable for cordless tools.
只適用於充電式工具。
當要求保修服務時, 請出示有效之保修卡或購買憑證 (如發票或收據)。

當要求保修服務時, 請出示有效之保修卡或購買憑證 (如發票或收據)。
只適用於充電式工具。

For your retention

請將此部份保修卡寄回當地之維修服務中心。

Please return this portion to the local DeWALT Service Centre.

請保留此部份保修卡

DeWALT 1-YEAR WARRANTY

DeWALT warrants this product for one year from date of purchase. We will repair, without charge, any defects due to faulty material and/or workmanship.

Please return the complete unit, transportation prepaid, to any local DeWALT Service Center with valid DeWALT warranty card AND invoice/receipt copy.

This warranty card MUST be completed with the following information:

- customer name, telephone no.;
- dealer name and shop;
- date of purchase;
- tool model and serial no.

This warranty DOES NOT apply to:

- normal wear and tear parts, e.g. carbon brush, cord, plug, chuck and battery;
- damage caused by misuse or modification;
- unauthorized repair, alteration;
- damage caused by foreign objects, substances, accidents, obvious misuse, abuse, neglect and improper applications.

These terms only cover the general warranty policy in the Asia region. Details may vary from country to country.

Please consult the local DeWALT Service Center for more details.

DeWALT 1 ปีประกันสินค้า

DeWALT รับประกันสินค้าเป็นเวลา 1 ปีนับจากวันที่ซื้อ ยกเว้นอะไหล่ที่สึกหรอตามปกติ เช่น คาร์บอนบรัช หัวไขควง แบตเตอรี่ และสายไฟ ทั้งนี้การรับประกันจะครอบคลุมเฉพาะข้อบกพร่องที่เกิดจากข้อบกพร่องของวัสดุหรือการทำงานเท่านั้น

โปรดส่งคืนผลิตภัณฑ์ที่ชำรุดพร้อมทั้งใบเสร็จรับเงิน และใบรับประกัน DeWALT พร้อมบัตรรับประกันที่เสร็จ และสำเนาใบเสร็จรับเงินจากผู้ขาย

ใบรับประกันนี้ครอบคลุมเฉพาะข้อบกพร่องที่เกิดจากข้อบกพร่องของวัสดุหรือการทำงานเท่านั้น :

- ชิ้นส่วนที่สึกหรอตามปกติ เช่น คาร์บอนบรัช หัวไขควง แบตเตอรี่ และสายไฟ
- วัสดุที่ชำรุดเนื่องจากข้อบกพร่องของวัสดุหรือการทำงาน
- วัสดุที่ชำรุดเนื่องจากอุบัติเหตุ
- วัสดุที่ชำรุดเนื่องจากการใช้งานที่ไม่เหมาะสม

การรับประกันนี้ไม่ครอบคลุมถึง :

- การสึกหรอตามปกติ และชิ้นส่วนที่สึกหรอ เช่น แบตเตอรี่ สายไฟ หัวไขควงตามร้าน และแบตเตอรี่
- อุปกรณ์เสริม และอุปกรณ์ที่เพิ่ม
- การซ่อม การเปลี่ยน / การแก้ไขโดยช่างที่ไม่ใช่ช่างรับบริการของศูนย์บริการของ DeWALT
- ความเสียหายที่เกิดจากอุบัติเหตุ เช่น อุบัติเหตุ การใช้งานที่ไม่เหมาะสม การใช้งานในทางที่ผิด การกระชาก และตก
- วัสดุที่ชำรุดเนื่องจากการใช้งานที่ไม่เหมาะสม

กรุณาติดต่อศูนย์บริการลูกค้าของ DeWALT เพื่อขอข้อมูลเพิ่มเติม การรับประกันนี้ครอบคลุมเฉพาะข้อบกพร่องของวัสดุหรือการทำงานเท่านั้น

디왈트 1 년 품질보증

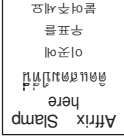
본 제품은 제품 구입일로부터 1 년간 품질을 보증하며 부품이나에 제품의 제조상 하자로 발생한 경우 무료로 수리해 드립니다.


본 보증카드를 발급하게 직전형사어 가까운 디왈트 / 블랙앤드데커 서비스 지정점에 제출하여 주십시오. (제품 구입 영수증 또는 거래영수증을 반드시 첨부해 주시기 바랍니다) 이 카드는 모든 서비스의 기초자료로 활용되오나 꼭 보내 주시기 바랍니다.

단, 아래 사항은 품질보증에 해당되지 않으므로 보증기간내이라도 무상수리를 받으실 수 없습니다.


- 카본브러쉬, 코드, 플러그, 칩, 배터리 등의 소모품이 자연적으로 소모되었을 경우
- 의제서리가 파손되었을 경우
- 임의로 형성 및 구조를 변경하여 사용한 경우
- 외부의 충격, 사고, 화재시엔, 정규점만으로 사용하지 아니한 경우, 소비자의 과실 및 취급 부주의로 고장 또는 손상된 경우
- 본 품질보증내용은 디왈트 / 블랙앤드데커 한국지점에 한정되며, 각 나라별로 세부 내용은 다를 수 있습니다. 더욱 자세한 내용을 알고 싶으시면 디왈트 / 블랙앤드데커 서비스센터로 문의해 주시기 바랍니다.
- 카본브러쉬, 코드, 플러그, 칩, 배터리 등의 소모품이 자연적으로 소모되었을 경우
- 의제서리가 파손되었을 경우
- 임의로 형성 및 구조를 변경하여 사용한 경우
- 외부의 충격, 사고, 화재시엔, 정규점만으로 사용하지 아니한 경우, 소비자의 과실 및 취급 부주의로 고장 또는 손상된 경우

본 품질보증내용은 블랙앤드데커 한국지점에 한정되며, 각 나라별로 세부 내용은 다를 수 있습니다. 더욱 자세한 내용을 알고 싶으시면 블랙앤드데커 서비스센터로 문의해 주시기 바랍니다.



		Company Copy สำหรับบริษัท กรมฯ葆관วง	
Customer Name: <input type="checkbox"/> Mr. นาย <input type="checkbox"/> Miss นางสาว <input type="checkbox"/> Mrs. นาง		ชื่อลูกค้า: <input type="checkbox"/> <input type="checkbox"/> <input type="checkbox"/> 고객이름: <input type="checkbox"/> <input type="checkbox"/> <input type="checkbox"/>	
Address: ที่อยู่: 주소:		Tel. No.: _____ หมายเลขโทรศัพท์: 전화번호: _____	
Tool Model: รุ่น: 제품모델명:		Serial No. or Date Code: หมายเลขเครื่อง: 제품일련번호 또는 제작일 코드번호:	
Charger Model: รุ่นเครื่องชาร์จ: 충전기 모델명:		Serial No. or Date Code: หมายเลขเครื่อง: 충전기 일련번호 또는 제작일 코드번호:	
Date Of Purchase: วันที่ซื้อ: 제품구매일자:		* Invoice / Receipt No.: * หมายเลขใบเสร็จ: * 영수증 / 거래명세서:	
Dealer's name: ร้านชื่อ: 제품구입 대리점명:		Tel. No.: _____ หมายเลขโทรศัพท์: 전화번호: _____	
Dealer Chop: ประทับตราร้านค้า: 대리점 확인란:			



		Customer Copy สำหรับลูกค้า 고객葆관วง	
Customer Name: <input type="checkbox"/> Mr. นาย <input type="checkbox"/> Miss นางสาว <input type="checkbox"/> Mrs. นาง		ชื่อลูกค้า: <input type="checkbox"/> <input type="checkbox"/> <input type="checkbox"/> 고객이름: <input type="checkbox"/> <input type="checkbox"/> <input type="checkbox"/>	
Address: ที่อยู่: 주소:		Tel. No.: _____ หมายเลขโทรศัพท์: 전화번호: _____	
Tool Model: รุ่น: 제품모델명:		Serial No. or Date Code: หมายเลขเครื่อง: 제품일련번호 또는 제작일 코드번호:	
Charger Model: รุ่นเครื่องชาร์จ: 충전기 모델명:		Serial No. or Date Code: หมายเลขเครื่อง: 충전기 일련번호 또는 제작일 코드번호:	
Date Of Purchase: วันที่ซื้อ: 제품구매일자:		* Invoice / Receipt No.: * หมายเลขใบเสร็จ: * 영수증 / 거래명세서:	
Dealer's name: ร้านชื่อ: 제품구입 대리점명:		Tel. No.: _____ หมายเลขโทรศัพท์: 전화번호: _____	
Dealer Chop: ประทับตราร้านค้า: 대리점 확인란:			

* Please return this warranty card together with copy of invoice or receipt to the local DeWALT Service centre within 14 days from purchase of your tool.

- * กรุณาส่งใบรับประกัน สำนักรับเสร็จ ที่ศูนย์บริการของ DeWALT ได้ตั้งแต่วันที่ 14 วัน นับจากวันที่
- * 본 보증카드를 제품구입 영수증 또는 거래명세서와 함께 디월트 서비스 지점에서 제출하시거나, 우편으로 제품 구입후 14 일 이내에 발송해 주십시오.

