



4 Position VS Reciprocating Saw

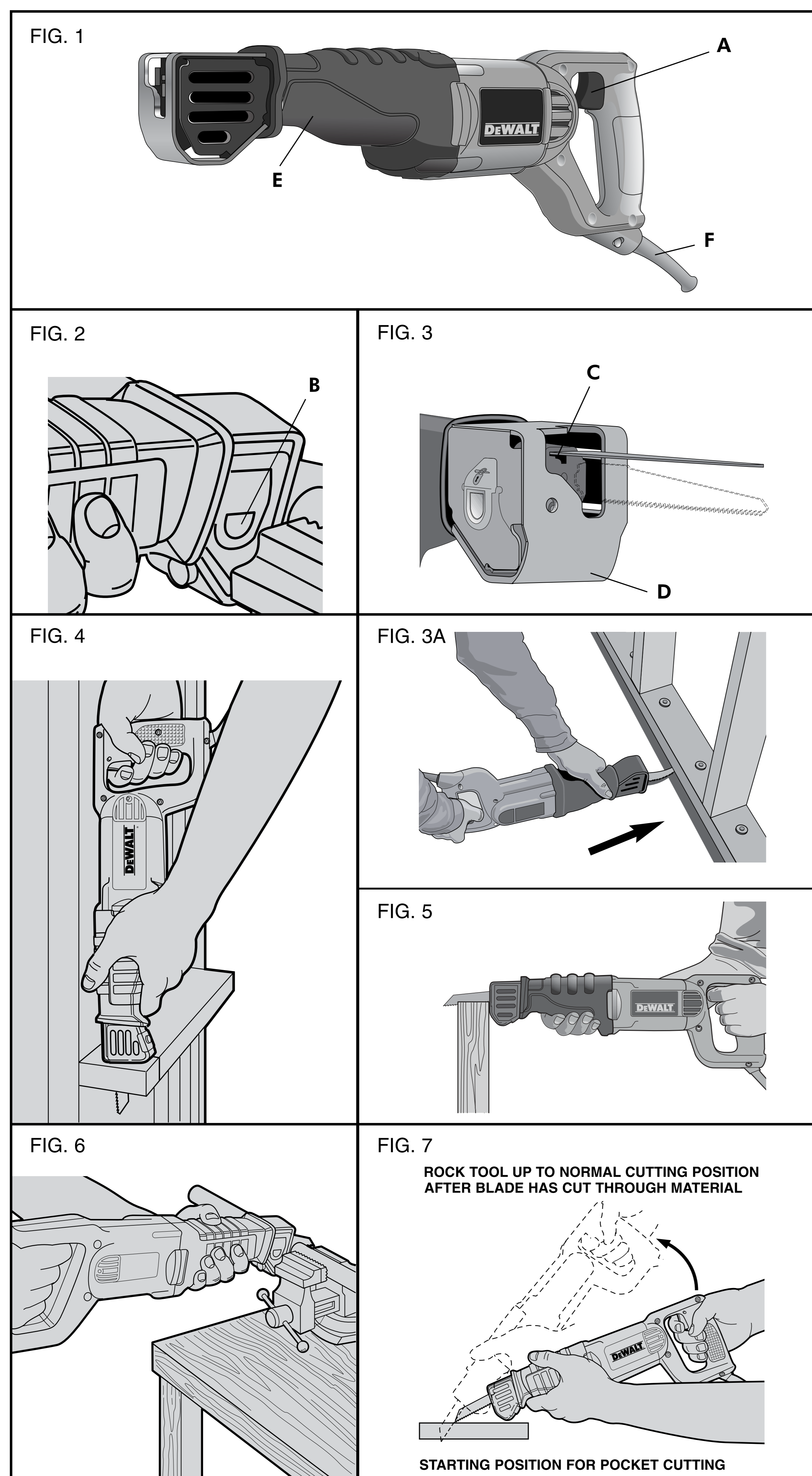


DW304PK

www.dewalt.com

DeWALT Industrial Tool Co., 701 East Joppa Road, Baltimore, MD 21286

(MAR10) Part No. N389073 Copyright © 2008, 2010 DEWALT



General Power Tool Safety Warnings

▲ WARNING! Read all safety warnings and all instructions. Failure to follow the warnings and instructions may result in electric shock, fire and/or serious injury.

Save all warnings and instructions for future reference.

The term "power tool" in the warnings refers to your mains-operated (corded) power tool or battery-operated (cordless) power tool.

1) Work area safety

- Keep work area clean and well lit. Cluttered or dark areas invite accidents.
- Do not operate power tools in explosive atmospheres, such as in the presence of flammable liquids, gases or dust. Power tools create sparks which may ignite the dust or fumes.
- Keep children and bystanders away while operating a power tool. Distractions can cause you to lose control.

2) Electrical safety

- Power tool plugs must match the outlet. Never modify the plug in any way. Do not use any adapter plugs with earthed (grounded) power tools. Unmodified plugs and matching outlets will reduce risk of electric shock.
 - Avoid body contact with earthed or grounded surfaces, such as pipes, radiators, ranges and refrigerators. There is an increased risk of electric shock if your body is earthed or grounded.
 - Do not expose power tools to rain or wet conditions. Water entering a power tool will increase the risk of electric shock.
 - Do not abuse the cord. Never use the cord for carrying, pulling or unplugging the power tool. Keep cord away from heat, oil, sharp edges or moving parts. Damaged or entangled cords increase the risk of electric shock.
 - When operating a power tool outdoors, use an extension cord suitable for outdoor use. Use of a cord suitable for outdoor use reduces the risk of electric shock.
 - If operating a power tool in a damp location is unavoidable, use a residual current device (RCD) protected supply. Use of an RCD reduces the risk of electric shock.
- NOTE: The term "residual current device (RCD)" may be replaced by the term "ground fault circuit interrupter (GFCI)" or "earth leakage circuit breaker (ELCB)".

3) Personal safety

- Stay alert, watch what you are doing and use common sense when operating a power tool. Do not use a power tool while you are tired or under the influence of drugs, alcohol or medication. A moment of inattention while operating power tools may result in serious personal injury.
- Use personal protective equipment. Always wear eye protection. Protective equipment such as dust mask, non-skid safety shoes, hard hat, or hearing protection used for appropriate conditions will reduce personal injuries.
- Prevent unintentional starting. Ensure the switch is in the off-position before connecting to power source and/or battery pack, picking up or carrying the tool. Carrying power tools with your finger on the switch or energising power tools that have the switch on invites accidents.
- Remove any adjusting key or wrench before turning the power tool on. A wrench or a key left attached to a rotating part of the power tool may result in personal injury.
- Do not overreach. Keep proper footing and balance at all times. This enables better control of the power tool in unexpected situations.
- Dress properly. Do not wear loose clothing or jewellery. Keep your hair, clothing and gloves away from moving parts. Loose clothes, jewellery or long hair can be caught in moving parts.
- If devices are provided for the connection of dust extraction and collection facilities, ensure these are connected and properly used. Use of dust collection can reduce dust-related hazards.

4) Power tool use and care

- Do not force the power tool. Use the correct power tool for your application. The correct power tool will do the job better and safer at the rate for which it was designed.
- Do not use the power tool if the switch does not turn it on and off. Any power tool that cannot be controlled with the switch is dangerous and must be repaired.
- Disconnect the plug from the power source and/or the battery pack from the power tool before making any adjustments, changing accessories, or storing power tools. Such preventive safety measures reduce the risk of starting the power tool accidentally.
- Store idle power tools out of the reach of children and do not allow persons unfamiliar with the power tool or these instructions to operate the power tool. Power tools are dangerous in the hands of untrained users.
- Maintain power tools. Check for misalignment or binding of moving parts, breakage of parts and any other condition that may affect the power tool's operation. If damaged, have the power tool repaired before use. Many accidents are caused by poorly maintained power tools.
- Keep cutting tools sharp and clean. Properly maintained cutting tools with sharp cutting edges are less likely to bind and are easier to control.
- Use the power tool, accessories and tool bits etc. in accordance with these instructions, taking into account the working conditions and the work to be performed. Use of the power tool for operations different from those intended could result in a hazardous situation.

5) Service

- Have your power tool serviced by a qualified repair person using only identical replacement parts. This will ensure that the safety of the power tool is maintained.

Additional Specific Safety Rules

- Hold tool by insulated gripping surfaces when performing an operation where the cutting tool may contact hidden wiring or its own cord. Contact with a "live" wire will make exposed metal parts of the tool "live" and shock the operator.
- Do not operate this tool for long periods of time. Vibration caused by the operating action of this tool may cause permanent injury to fingers, hands, and arms. Use gloves to provide extra cushion, take frequent rest periods, and limit daily time of use.

▲ CAUTION: Wear appropriate personal hearing protection during use. Under some conditions and duration of use, noise from this product may contribute to hearing loss.

▲ WARNING: Some dust created by power sanding, sawing, grinding, drilling, and other construction activities contains chemicals known to cause cancer, birth defects or other reproductive harm. Some examples of these chemicals are:

- lead from lead-based paints,
- crystalline silica from bricks and cement and other masonry products, and
- arsenic and chromium from chemically-treated lumber (CCA).

Your risk from these exposures varies, depending on how often you do this type of work. To reduce your exposure to these chemicals: work in a well ventilated area, and work with approved safety equipment, such as those dust masks that are specially designed to filter out microscopic particles.

- Avoid prolonged contact with dust from power sanding, sawing, grinding, drilling, and other construction activities. Wear protective clothing and wash exposed areas with soap and water. Allowing dust to get into your mouth, eyes, or lay on the skin may promote absorption of harmful chemicals.

▲ WARNING: Use of this tool can generate and/or disburse dust, which may cause serious and permanent respiratory or other injury. Always use NIOSH/OSHA approved respiratory protection appropriate for the dust exposure. Direct particles away from face and body.

- The label on your tool may include the following symbols.

V	volts	A	amperes
Hz	hertz	W	watts
min	minutes	~	alternating current
====	direct current	n ₀	no load speed
⊕	Class II Construction	⊖	earthing terminal
▲	safety alert symbol	.../min.....	revolutions per minute

Switch (Variable Speed) (Fig. 1)

The variable speed trigger switch (A) will give you added versatility. The further the trigger is depressed the higher the speed of the saw. To turn the tool "OFF" release the trigger.

▲ CAUTION: Use of very slow speed is recommended only for beginning a cut. Prolonged use at very slow speed may damage your saw.

Blade Clamp Release Lever DW304PK (Fig.2)

▲ CAUTION: TURN OFF AND UNPLUG SAW.

To install blade into saw:

- Pull blade clamp release lever (B) up.
- Insert blade shank from the front.
- Push blade clamp release lever down.

To remove blade from saw:

- Open blade clamp release lever.
- Remove blade.

▲ CAUTION: THE BLADE GUARD IS THERE FOR YOUR SAFETY. DO NOT REMOVE IT.

Cutting with Blade in Horizontal Position DW304PK (Fig. 3A)

Installing a blade in the horizontal orientation allows cutting close to floors, walls or ceilings where limited clearance is available. Ensure that the Blade Guard is pressed against the framing to avoid kickback.

Flush-To Cutting (Fig. 4)

The compact design of the saw motor housing and spindle housing permits extremely close cutting to floors, corners and other difficult areas.

▲ CAUTION: When sawing into walls, floors or wherever "live" electrical wires may be encountered, **DO NOT TOUCH ANY FRONT METAL PARTS OF THE TOOL!** Hold the tool only by the plastic handle and housing to prevent electric shock if you saw into a "live" wire.

▲ CAUTION: Always wear eye protection while operating this power tool.

Wood Cutting (Fig. 5)

Before cutting any type of wood, be sure it is firmly anchored or clamped to prevent slipping. Place blade lightly against work to be cut, switch on saw motor and allow it to obtain maximum speed before applying pressure. Always hold saw firmly with both hands while cutting. Whenever possible, the saw shoe must be held firmly against the material being cut. This will prevent the saw from jumping or vibrating and minimize blade breakage.

Metal Cutting (Fig. 6)

This unit has different metal cutting capacities depending upon type of blade used and the metal to be cut. Use a finer blade for ferrous metals and a coarse blade for non-ferrous materials. In thin gauge sheet metals it is best to clamp wood to both sides of sheet. This will insure a clean cut without excess vibration or tearing of metal. Always remember not to force cutting blade as this reduces blade life and causes costly blade breakage.

NOTE: It is generally recommended that when cutting metals you should spread a thin film of oil or other coolant along the line ahead of the saw cut for easier operation and longer blade life.

Pocket Cutting (Fig. 7) (Wood Only)

The initial step in pocket cutting is to measure the surface area to be cut and mark clearly with a pencil, chalk or scribe. Insert pocket cutting blade in blade clamp and tighten blade clamp securely. Next, tip the saw backward until the back edge of the shoe is resting on the work surface. Now switch motor on, always permitting blade to attain maximum speed. Grip handle steadily and begin a slow, deliberate upward swing with the handle of the saw. Blade will begin to feed into material. Always be sure blade is completely through material before continuing with pocket cut.

NOTE: In areas where blade visibility is limited, use the edge of the saw shoe as a guide. Lines for any given cut should be extended beyond edge of cut to be made.

MAINTENANCE

Lubrication

Your tool was properly lubricated before leaving the factory. In from two to six months, depending upon use, take or send your tool to a Service Center, or authorized service station, for a complete cleaning, inspection and lubrication. Tools used constantly on production jobs will need relubrication more often. Also, tools "out of service" for long periods should be relubricated before being put back to work.

Accessories

Recommended accessories for use with your tool are available at extra cost from your local service center.

▲ CAUTION: The use of any non-recommended accessory may be hazardous.

Repairs

To assure product SAFETY and RELIABILITY, repairs, maintenance and adjustment (including brush inspection and replacement) should be performed by authorized service centers or other qualified service organizations, always using identical replacement parts.

SERVICE INFORMATION

DeWALT offers a full network of company-owned and authorized service locations throughout Asia. All DeWALT Service Centers are staffed with trained personnel to provide customers with efficient and reliable service. Whether you need technical advice, repair, or genuine factory replacement parts, contact the DeWALT location nearest to you.

UNWANTED TOOLS AND THE ENVIRONMENT

Should you find one day that the tool needs replacement or is of no further use, think of the protection of the environment. DeWALT recommends you to contact your local council for disposal information.

NOTES

- DeWALT's policy is one of continuous improvement to our products and, we reserve the right to change product specifications without prior notice.
- Standard equipment and accessories may vary by country.
- Product specifications may differ by country.
- Complete product range may not be available in all countries. Contact your local DeWALT dealers for range availability.

四向往复锯 DW304PK

电动工具通用安全警告



警告！ 阅读所有警告和所有说明。不遵照以下警告和说明会导致电击、着火和/或严重伤害。

保存所有警告和说明书以备查阅

在所有下列警告中术语“电动工具”指市电驱动（有线）电动工具或电池驱动（无线）电动工具。

a) 工作场地的安全

- 保持工作场地清洁和明亮。混乱和黑暗的场地会引发事故。
- 不要在易爆环境，如有易燃液体、气体或粉尘的环境下操作电动工具。电动工具产生的火花会点燃粉尘或气体。
- 让儿童和旁观者离开后操作电动工具。注意力不集中会使操作者失去对工具的控制。

b) 电气安全

- 电动工具插头必须与插座相配。绝不能以任何方式改装插头。需接地的电动工具不能使用任何转换插头。未经改装的插头和相配的插座将减少电击危险。
- 避免人体接触接地表面，如管道、散热片和冰箱。如果你身体接地会增加电击危险。
- 不得将电动工具暴露在雨中或潮湿环境中。水进入电动工具将增加电击危险。
- 不得滥用电线。绝不能使用电线搬运、拉动电动工具或拔出其插头。使电线远离热源、油、锐边或运动部件。受损或缠绕的软线会增加电击危险。
- 当在户外操作电动工具时，使用适合户外使用的外接软线。适合户外使用的软线将减少电击危险。
- 如果在潮湿的环境下操作电动工具是不可避免的，应使用剩余电流动作保护器（RCD）。使用 RCD 可减少电击的危险。

c) 人身安全

- 保持警觉，当操作电动工具时关注所从事的操作并保持清醒。当你感到疲倦，或在有药物、酒精或治疗反应时，不要操作电动工具。在操作电动工具时瞬间的疏忽会导致严重人身伤害。
- 使用个人防护装置。始终佩戴护目镜。安全装置，诸如适当条件下使用防尘面具、防滑安全鞋、安全帽、听力防护等装置能减少人身伤害。
- 防止意外起动。确保开关在连接电源和/或电池盒、拿起或搬运工具时处于关断位置。手指放在已经接通电源的开关上或开关处于接通时插入插头可能会导致危险。
- 在电动工具接通之前，拿掉所有调节钥匙或扳手。遗留在电动工具旋转零件上的扳手或钥匙会导致人身伤害。
- 手不要伸得太长。时刻注意立足点和身体平衡。这样在意外情况下能很好地控制电动工具。
- 着装适当。不要穿宽松的衣服或佩戴饰品。让衣服、手套和头发远离运动部件。宽松衣服、配饰或长发可能会卷入运动部件中。
- 如果提供了与排屑、集尘设备连接用的装置，要确保这些装置连接完好且使用得当。使用这些装置可减少尘屑引起的危险。

d) 电动工具的使用和注意事项

- 不要滥用电动工具，根据用途使用适当的电动工具。选用适当设计的电动工具会使你工作更有效、更安全。
- 如果开关不能接通或关断工具电源，则不能使用该电动工具。不能用开关来控制的电动工具是危险的且必须进行修理。
- 在进行任何调节、更换附件或贮存电动工具之前，必须从电源上拔掉插头和/或使电池盒与工具脱开。这种防护性措施将减少工具意外起动的危险。
- 将闲置不用的电动工具贮存在儿童所及范围之外，并且不要让不熟悉电动工具或对这些说明不了解的人操作电动工具。电动工具在未经培训的用户手中是危险的。
- 保养电动工具。检查运动部件是否调整到位或卡住、检查零件破损情况和影响电动工具运行的其他状况。如有损坏，电动工具应在使用前修理好。许多事故由维护不良的电动工具所引发。
- 保持切削刀具锋利和清洁。保养良好的有锋利切削刃的刀具不易卡住而且容易控制。
- 按照使用说明书，考虑作业条件和进行的作业来使用电动工具、附件和工具的刀头等。将电动工具用于那些与其用途不符的操作可能会导致危险。

e) 维修

- 将你的电动工具送交专业维修人员，使用同样的备件进行修理。这样将确保所维修的电动工具的安全性。

附加特殊安全规定

• 在切削附件可能触及暗线或其自身软线之处进行操作时，要通过绝缘握持面来握持工具。切削附件碰到带电导线会使工具外露的金属零件带电从而使操作者受到电击。

• 请勿长时间操作本工具。使用本工具时产生的振动可能导致手指、手部、手臂等的永久性损伤。请使用手套来提供额外缓冲。时常休息并限制每天的使用时间。**注意！**使用过程中，请佩戴合适的听力保护装置。在某些情况下使用时，本产品发出的噪音可能导致听力损伤。

警告：由电动打磨、切割、研磨、钻孔和其它一些建筑活动所产生的某些灰尘包含一些致癌、导致不育或其他生殖性疾病的化学物质。此类化学物质中的一些例子有：

- 铅基油漆中的铅
- 砖石、水泥和其它砖石结构产品中所含的石英；以及经过化学品处理的木材

（CCA）中所含有的砷和铬。

您接触这些物质的风险取决于您从事此类工作的频率。为了降低接触这些化学物质的风险：保持工作场所通风良好、采用认可的安全防护装备，例如过滤细微颗粒的专用防尘面具。

• 避免与电动打磨、切割、研磨、钻孔和其它一些建筑活动所产生的灰尘有过长的接触。穿戴防护服并且用水和肥皂清洗外露表面。如让灰尘进入您的口、眼或停留在皮肤上可能会促进对有害化学物品的吸收。

警告：使用本工具可产生和/或释放粉尘。这些粉尘可能导致严重的、永久性的呼吸系统损伤或其它伤害。请坚持佩戴经NIOSH/ OSHA批准的、适于粉尘环境的呼吸保护装备。使粉尘颗粒远离面部和身体。

• 您工具上的铭牌可能会包含如下符号标记。

V.....伏特

A.....安培

Hz.....赫兹

W.....瓦特

min.....分钟

~.....交流电

====.....直流电

no.....空载速度

□.....II 级结构

⊕.....接地终端

⚠.....安全警告标志

.../min.....转/分钟



警告：为降低受伤风险，敬请仔细阅读以下描述

• 主要零部件:

A 扳机开关

B 锯片夹释放杆

C 刀片夹头

D 底座

E 齿轮箱

F 电源线

开关（变速调节）（图1）

调速触发开关（A）强化了工具的多功能性。触发开关按下越多，锯速越大。要使工具“关闭”，释放开关即可。

注意：建议仅在开始锯割时，才能采用极低锯速。长时间在极低速下使用工具，会损坏工具。

DW304PK 锯片夹释放杆（图2）

注意：请关闭工具，拔下工具插头。

安装锯片：

- 向上拉锯片夹释放杆（B）。
- 从前面插入锯片柄。
- 向下按锯片夹释放杆。

拆卸锯片：

- 打开锯片夹释放杆。
- 取下锯片。

注意：锯片护罩是为了保护您的安全。请勿取下护罩。

DW304PK 锯片处于水平位置时的锯切作业（图3A）

锯片安装成水平方向时，可以在间隙有限的情况下靠近地板、墙壁或天花板作业。请确保锯片护罩紧压在支架上，以避免反冲。

齐边锯（图4）

电锯马达壳体 and 心轴壳体结构紧凑，可以极度靠近地板、边角或其它狭窄空间进行锯切作业。

注意：当锯进墙体、地板或任何可能存在“带电”导线的物体时，请勿接触工具前部任何金属部件！请通过塑料手柄和塑料壳体操纵工具，以便避免锯到“带电”导线时受到电击。

注意：使用本电动工具时，请坚持佩戴护目装备。

锯切木材（图5）

锯切任何种类的木材之前，请确保牢固固定或夹紧工件，防止滑动。将锯片轻轻地放在工件上，启动电锯马达，待其达到最大速度后再加力。锯切作业中，请始终双手紧握工具。任何可能情况下，锯脚必须紧顶待锯工件。这可以防止电锯跳开或振动，并且尽可能避免锯片折断。

锯切金属（图6）

依据使用的锯片类型以及金属种类，本工具具有不同的金属锯切性能。锯切黑色金属时，请使用锯齿较细的锯片，而在锯割有色金属时，可采用锯齿较粗的锯片。锯割较薄的金属板材时，宜在板材两侧夹上木板。这能够确保锯缝干净、消除过度振动并防止撕裂板材。切勿对锯片勉强用力，这会降低锯片使用寿命并导致代价不菲的锯片断裂。

说明：锯割金属时，通常建议在锯缝线上预涂一薄层油或冷却液，以便于操作并延长锯片使用寿命。

窗孔锯割（图7）（仅限于木材）

窗孔锯割的第一步是测量待锯表面并使用铅笔、粉笔或划线器标示清楚。将开窗锯片插入锯片夹并紧固好。下一步，使电锯向后倾斜，直至锯脚后缘触及工件表面。然后启动马达，切记等待锯片达到最大速度。稳定地握住手柄，缓慢并小心地向上摆动工具。锯片逐渐切入材料。继续开窗作业前，请确保锯片完全锯穿材料。

说明：在锯片视线受限的情况下，可以使用锯脚的边缘作为导向。特定锯割的锯线应延伸到锯缝边缘之外。

维护

润滑

本电动工具在出厂之前，已进行正确润滑。请在两到六个月（视使用情况而定）之后，请把工具送到服务中心或授权服务站，进行彻底清洗、检查与润滑。生产条件下连续使用时，需要更频繁地润滑。此外，长期“不用”的工具再次启用前，须重新润滑。

配件

自本地经销商或授权服务中心处获得的推荐使用的配件，需另外付费。

注意：如果本工具使用任何其它非推荐配件，可能会有危险。

维修

为了确保工具的安全性和可靠性，工具的维修、保养以及调整（包括碳刷检查与更换）须由授权服务中心或其它合格的服务机构进行。请坚持使用相同的备件。

服务信息

得伟在亚洲各地建立了完整的自有及授权服务网点。所有得伟服务中心员工均受过良好培训，可以为客户提供高效、可靠的电动工具服务。无论您需要技术咨询、维修或单纯的原装备件，请您联系最近的得伟服务点。

工具报废与环境保护

如果某一天您的得伟产品需要更换或不再使用，请注意环境保护问题。得伟建议您联系本地管委会，以了解相关处置信息。

说明

- 得伟的指导方针之一就是产品的持续改进，因此，我们保留改变产品规格的权利，恕不另行通知。

- 供应各国的标准设备与配件不尽相同。

- 供应各国的产品规格不尽相同。

- 并非所有国家均有全系列的产品。请向当地的得伟网点咨询可用的型号。

得伟

制造商：百得德国公司

地址：Black & Decker Str.40 65510 Idstein, 德国

产地：墨西哥