

**Questions? See us on the World Wide Web at www.dewalt.com
¿Dudas? Visítenos en Internet: www.dewalt.com
Dúvidas? Visite-nos na Internet em www.dewalt.com.br**

**INSTRUCTION MANUAL
MANUAL DE INSTRUCCIONES
MANUAL DE INSTRUÇÕES**

INSTRUCTIVO DE OPERACIÓN, CENTROS DE SERVICIO Y PÓLIZA DE GARANTÍA. **ADVERTENCIA:** LÉASE ESTE INSTRUCTIVO ANTES DE USAR EL PRODUCTO.

INSTRUÇÕES DE OPERAÇÃO, CENTRO DE SERVIÇOS E CERTIFICADO DE GARANTIA. **ADVERTÊNCIA:** LEIA ESTAS INSTRUÇÕES ANTES DE UTILIZAR O PRODUTO.

DEWALT®

**D26676
Planer
Cepillo
Plaina**



Definitions: Safety Guidelines

The definitions below describe the level of severity for each signal word. Please read the manual and pay attention to these symbols.

▲ DANGER: Indicates an imminently hazardous situation which, if not avoided, **will** result in **death or serious injury**.

▲ WARNING: Indicates a potentially hazardous situation which, if not avoided, **could** result in **death or serious injury**.

▲ CAUTION: Indicates a potentially hazardous situation which, if not avoided, **may** result in **minor or moderate injury**.

CAUTION: Used without the safety alert symbol indicates a potentially hazardous situation which, if not avoided, **may** result in **property damage**.

▲ WARNING: To reduce the risk of injury, read the instruction manual.

General Power Tool Safety Warnings

▲ WARNING! Read all safety warnings and all instructions. Failure to follow the warnings and instructions may result in electric shock, fire and/or serious injury.

SAVE ALL WARNINGS AND INSTRUCTIONS FOR FUTURE REFERENCE

The term "power tool" in the warnings refers to your mains-operated (corded) power tool or battery-operated (cordless) power tool.

1) WORK AREA SAFETY

- a) **Keep work area clean and well lit.** Cluttered or dark areas invite accidents.
- b) **Do not operate power tools in explosive atmospheres, such as in the presence of flammable liquids, gases or dust.** Power tools create sparks which may ignite the dust or fumes.

- c) **Keep children and bystanders away while operating a power tool.** Distractions can cause you to lose control.

2) ELECTRICAL SAFETY

- a) **Power tool plugs must match the outlet. Never modify the plug in any way. Do not use any adapter plugs with earthed (grounded) power tools.** Unmodified plugs and matching outlets will reduce risk of electric shock.
- b) **Avoid body contact with earthed or grounded surfaces such as pipes, radiators, ranges and refrigerators.** There is an increased risk of electric shock if your body is earthed or grounded.
- c) **Do not expose power tools to rain or wet conditions.** Water entering a power tool will increase the risk of electric shock.
- d) **Do not abuse the cord. Never use the cord for carrying, pulling or unplugging the power tool. Keep cord away from heat, oil, sharp edges or moving parts.** Damaged or entangled cords increase the risk of electric shock.
- e) **When operating a power tool outdoors, use an extension cord suitable for outdoor use.** Use of a cord suitable for outdoor use reduces the risk of electric shock.
- f) **If operating a power tool in a damp location is unavoidable, use a residual current device (RCD) protected supply.** Use of an RCD reduces the risk of electric shock.

3) PERSONAL SAFETY

- a) **Stay alert, watch what you are doing and use common sense when operating a power tool. Do not use a power tool while you are tired or under the influence of drugs, alcohol or medication.** A moment of inattention while operating power tools may result in serious personal injury.
- b) **Use personal protective equipment. Always wear eye protection.** Protective equipment such as dust mask, non-

skid safety shoes, hard hat, or hearing protection used for appropriate conditions will reduce personal injuries.

- c) **Prevent unintentional starting. Ensure the switch is in the off position before connecting to power source and/or battery pack, picking up or carrying the tool.** Carrying power tools with your finger on the switch or energising power tools that have the switch on invites accidents.
- d) **Remove any adjusting key or wrench before turning the power tool on.** A wrench or a key left attached to a rotating part of the power tool may result in personal injury.
- e) **Do not overreach. Keep proper footing and balance at all times.** This enables better control of the power tool in unexpected situations.
- f) **Dress properly. Do not wear loose clothing or jewellery. Keep your hair, clothing and gloves away from moving parts.** Loose clothes, jewellery or long hair can be caught in moving parts.
- g) **If devices are provided for the connection of dust extraction and collection facilities, ensure these are connected and properly used.** Use of dust collection can reduce dust-related hazards.

4) POWER TOOL USE AND CARE

- a) **Do not force the power tool. Use the correct power tool for your application.** The correct power tool will do the job better and safer at the rate for which it was designed.
- b) **Do not use the power tool if the switch does not turn it on and off.** Any power tool that cannot be controlled with the switch is dangerous and must be repaired.
- c) **Disconnect the plug from the power source and/or the battery pack from the power tool before making any adjustments, changing accessories, or storing power tools.** Such preventive safety measures reduce the risk of starting the power tool accidentally.

- d) **Store idle power tools out of the reach of children and do not allow persons unfamiliar with the power tool or these instructions to operate the power tool.** Power tools are dangerous in the hands of untrained users.
- e) **Maintain power tools. Check for misalignment or binding of moving parts, breakage of parts and any other condition that may affect the power tool's operation. If damaged, have the power tool repaired before use.** Many accidents are caused by poorly maintained power tools.
- f) **Keep cutting tools sharp and clean.** Properly maintained cutting tools with sharp cutting edges are less likely to bind and are easier to control.
- g) **Use the power tool, accessories and tool bits etc., in accordance with these instructions taking into account the working conditions and the work to be performed.** Use of the power tool for operations different from those intended could result in a hazardous situation.

5) SERVICE

- a) **Have your power tool serviced by a qualified repair person using only identical replacement parts.** This will ensure that the safety of the power tool is maintained.

SPECIFIC SAFETY RULES

Safety Warnings for Planers

- **Hold power tools by insulated gripping surfaces when performing an operation where the cutting tool may contact hidden wiring or its own cord.** Contact with a "live" wire will make exposed metal parts of the tool "live" and shock the operator.
- **Be sure the blade has stopped completely before laying the tool down.** If the blade has not come to a complete stop when the tool is laid down, it could cause injury or damage.

- **Never reach under the tool for any reason unless it is turned off and UNPLUGGED. BLADES ARE EXPOSED AND EXTREMELY SHARP.**
- **Planer blades are extremely sharp.** Handle with great care.
- Use this tool for working with wood and wood products only.
- **An extension cord must have adequate wire size (AWG or American Wire Gauge) for safety.** The smaller the gauge number of the wire, the greater the capacity of the cable, that is 16 gauge has more capacity than 18 gauge. An undersized cord will cause a drop in line voltage resulting in loss of power and overheating. When using more than one extension to make up the total length, be sure each individual extension contains at least the minimum wire size. The following table shows the correct size to use depending on cord length and nameplate ampere rating. If in doubt, use the next heavier gauge. The smaller the gauge number, the heavier the cord.

Voltage (Volts)	Total length of cord in meters (m)			
	0 - 7	7 - 15	15 - 30	30 - 50
120 - 127V	0 - 7	7 - 15	15 - 30	30 - 50
220 - 240V	0 - 15	15 - 30	30 - 60	60 - 100
Rated Ampere range	Minimal cross-sectional area of the cord in meters (mm ²)			
	0 - 6A	1.0	1.5	1.5
6 - 10A	1.0	1.5	2.5	4.0
10 - 12A	1.5	1.5	2.5	4.0
12 - 16A	2.5	4.0	Not Recommended	

⚠ WARNING: Always use eye protection. All users and bystanders must wear eye protection that conforms to ANSI Z87.1.

⚠ WARNING: Always wear proper personal hearing protection that conforms to ANSI S12.6 (S3.19) during use. Under some

conditions and duration of use, noise from this product may contribute to hearing loss.

⚠ WARNING: ALWAYS use safety glasses. Everyday eyeglasses are NOT safety glasses. Also use face or dust mask if cutting operation is dusty. ALWAYS WEAR CERTIFIED SAFETY EQUIPMENT:

- ANSI Z87.1 eye protection (CAN/CSA Z94.3),
- ANSI S12.6 (S3.19) hearing protection,
- NIOSH/OSHA/MSHA respiratory protection.

⚠ WARNING: Some dust created by power sanding, sawing, grinding, drilling, and other construction activities contains chemicals known to cause cancer, birth defects or other reproductive harm. Some examples of these chemicals are:

- lead from lead-based paints,
- crystalline silica from bricks and cement and other masonry products, and
- arsenic and chromium from chemically-treated lumber (CCA).

Your risk from these exposures varies, depending on how often you do this type of work. To reduce your exposure to these chemicals: work in a well ventilated area, and work with approved safety equipment, such as those dust masks that are specially designed to filter out microscopic particles.

- **Avoid prolonged contact with dust from power sanding, sawing, grinding, drilling, and other construction activities. Wear protective clothing and wash exposed areas with soap and water.** Allowing dust to get into your mouth, eyes, or lay on the skin may promote absorption of harmful chemicals.

⚠ WARNING: Use of this tool can generate and/or disburse dust, which may cause serious and permanent respiratory or other injury. Always use NIOSH/OSHA approved respiratory protection appropriate for the dust exposure. Direct particles away from face and body.

- The label on your tool may include the following symbols. The symbols and their definitions are as follows:

V..... volts	A..... amperes
Hz..... hertz	W..... watts
min..... minutes	~ alternating current
— — — direct current	⎓ alternating or direct current
⚠..... Class I Construction (grounded)	n ₀ no load speed
□..... Class II Construction (double insulated)	⊕ earthing terminal
.../min ..per minute	▲..... safety alert symbol
	BPM.. beats per minute
	RPM.. revolutions per minute

DESCRIPTION (FIG. 1, 3)

▲ **WARNING:** Never modify the power tool or any part of it. Damage or personal injury could result.

- A. On/Off-switch
- B. Lock button
- C. Shavings discharge outlet
- D. Planing depth adjustment knob
- E. Planing depth graduation
- F. Parallel fence tightening bolt
- G. Hole for parallel fence
- H. Side guard
- I. Motor cover
- J. Drive belt cover
- K. Parking foot
- L. Parallel fence

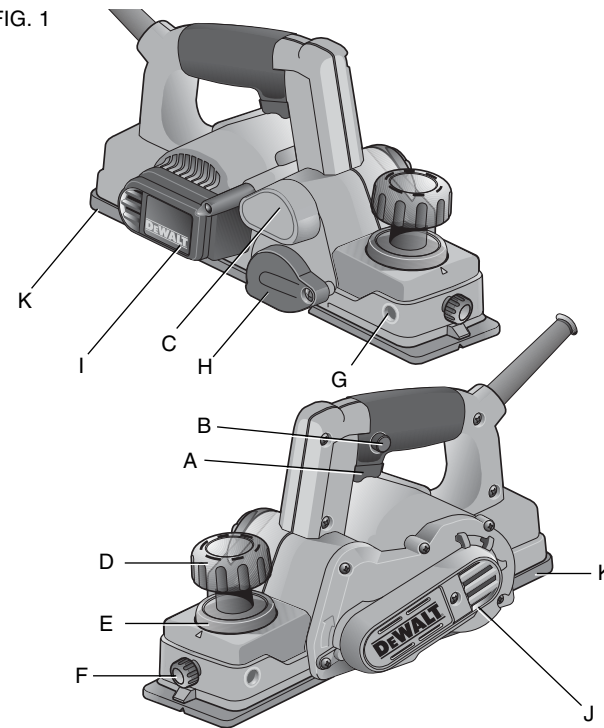
INTENDED USE

This heavy-duty planer is designed for professional planing of wood.

DO NOT use under wet conditions or in presence of flammable liquids or gases.

This heavy-duty planer is a professional power tool. **DO NOT** let children come into contact with the tool. Supervision is required when inexperienced operators use this tool.

FIG. 1



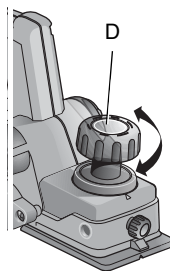
ASSEMBLY AND ADJUSTMENTS

⚠ WARNING: To reduce the risk of serious personal injury, turn tool off and disconnect tool from power source before making any adjustments or removing/installing attachments or accessories. An accidental start-up can cause injury.

Adjusting the Depth of Cut (Fig. 2)

Turn the planing depth adjustment knob (D). One revolution of the adjustment knob equals a 1.5 mm change in depth. Each click of the adjustment knob represents 0.1 mm of depth, and will increase up to 1.0 mm in depth.

FIG. 2

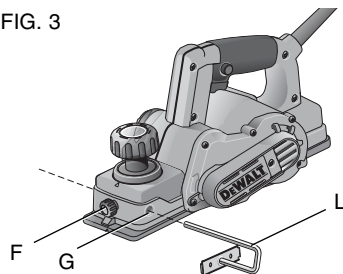


Attaching and Removing the Parallel Fence (Fig. 3)

The parallel fence (L) is used for optimum tool control on narrow workpieces.

1. Loosen the wing parallel fence tightening bolt (F).
2. Fit the parallel fence (L) into hole (G) from either side.
3. Tighten the parallel fence tightening bolt.
4. To remove the parallel fence, proceed in reverse order.

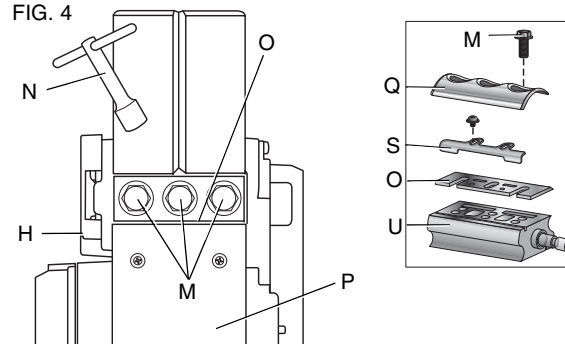
FIG. 3



Removing the Blades (Fig. 4)

1. Remove the three bolts (M) with the spanner (N) supplied.
 2. Push the side guard (H) up.
 3. Remove drum cover (Q) and remove the blade (O) from its holder.
 4. Sharpen or replace the blades. To sharpen blades, see **Sharpen Blades**.
- CAUTION:** Risk of property damage. Always replace both blades.
5. Replace the drum cover (Q). Make sure the blade is flush with the planing shoe (P).
 6. Tighten the three bolts (M).

FIG. 4

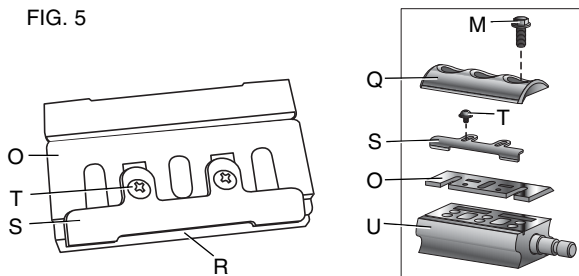


Adjusting Blades (Fig. 5)

1. Place the blade (O) on the gauge (R), and make sure the blade edge is perfectly flush with the inside edge of the gauge (R).
2. Place the bracket (S) on the blade, and make sure the flange of bracket is flush with the back side of the gauge.
3. Tighten the two screws (T) on the bracket.
4. Place the flange of the bracket into the groove of drum (U).

5. Replace the drum cover (Q) and tighten the three bolts (M).

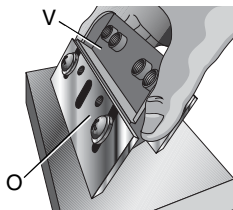
FIG. 5



Sharpening Blades (Fig. 6)

1. Fasten the blade to the sharpening holder (V). Make sure both blade edges are facing the same direction.
2. Place the blade edges so they rest flat on the grinding stone.
3. Firmly grip the sharpening holder and move it back and forward to sharpen the blade (O).

FIG. 6



OPERATION

⚠ WARNING: Always observe the safety instructions and applicable regulations.

⚠ WARNING: To reduce the risk of serious personal injury, turn tool off and disconnect tool from power source before making any adjustments or removing/installing attachments or accessories.

CAUTION: Risk of property damage. Use sharp blades only.

PRIOR TO OPERATION:

- Adjust the depth of cut.

- Fit and adjust the parallel fence, if needed.

Switch (Fig. 1)

⚠ WARNING: Check that the tool is not locked on before connecting it to a power supply. If the trigger switch is locked on when the tool is connected to the power supply, it will start immediately. Damage to your tool or personal injury may result.

⚠ CAUTION: Risk of property damage. Allow the tool to reach full speed before touching tool to the work surface. Lift the tool from the work surface before turning the tool off.

To start the planer depress the trigger switch (A). To turn the planer off, release the trigger switch.

LOCK-ON BUTTON

The tool can be locked on for continuous use. To lock the tool ON depress the trigger switch (A) and push in the lock-on button (B). Hold the lock-on button in as you gently release the trigger switch. The tool will continue to run.

To turn the tool off from a locked-on position, squeeze and release the trigger once.

Planing (Fig. 1)

⚠ CAUTION: Risk of property damage. Allow the tool to reach full speed before touching tool to the work surface. Lift the tool from the work surface before turning the tool off.

Place the front of the shoe on the surface to be planed, making certain that the cutting blades are not touching the surface. Push down firmly on the front handle of the planer so that the front shoe is ABSOLUTELY FLAT on the work surface. Turn the tool on and allow the motor to reach full speed before touching the planer blades to the work surface.

Move the tool slowly into the work and maintain downward pressure to keep the planer flat. Be particularly careful to keep the tool flat at the beginning and the end of the work surface.

Planing Tip: For a smoother appearance, fasten a piece of scrap wood to the end of the piece you are planing. Don't stop planing until the cutting blades of the planer are past your work piece and into the scrap material.

Parking Foot (Fig. 1)

Your planer is equipped with a parking foot (K) that automatically lowers into place when the tool is lifted from the work surface. When planing, the parking foot raises as the tool is pushed forward. When the parking foot is lowered, the planer can set on the work surface without the blade touching.

⚠ CAUTION: Do not lock the trigger switch on and engage the parking foot. The vibration of the running motor will cause the planer to move, possibly falling from the work piece.

MAINTENANCE

Your DEWALT power tool has been designed to operate over a long period of time with a minimum of maintenance. Continuous satisfactory operation depends upon proper tool care and regular cleaning.

⚠ WARNING: To reduce the risk of injury, turn unit off and disconnect tool from power source before installing and removing accessories, before making any adjustments or removing/installing attachments or accessories.

Lubrication

Your power tool requires no additional lubrication.

Cleaning

⚠ WARNING: Blow dirt and dust out of the main housing with dry air as often as dirt is seen collecting in and around the air vents. Wear approved eye protection and approved dust mask when performing this procedure.

⚠ WARNING: Never use solvents or other harsh chemicals for cleaning the non-metallic parts of the tool. These chemicals may

weaken the materials used in these parts. Use a cloth dampened only with water and mild soap. Never let any liquid get inside the tool; never immerse any part of the tool into a liquid.

Accessories

⚠ WARNING: Since accessories, other than those offered by DEWALT, have not been tested with this product, use of such accessories with this tool could be hazardous. To reduce the risk of injury, only DEWALT, recommended accessories should be used with this product.

Recommended accessories for use with your tool are available at extra cost from your local dealer or authorized service center.

Repairs

To assure product SAFETY and RELIABILITY, repairs, maintenance and adjustment (including brush inspection and replacement) should be performed by authorized service centers or other qualified service personnel, always using identical replacement parts.

SPECIFICATIONS

	D26676
Voltage	120 V
Power input	550 W
No load speed	17,000 min ⁻¹

Definiciones: Normas de seguridad


Las siguientes definiciones describen el nivel de gravedad de cada advertencia. Lea el manual y preste atención a estos símbolos.

▲ **PELIGRO:** indica una situación de peligro inminente que, si no se evita, **provocará la muerte o lesiones graves.**

▲ **ADVERTENCIA:** Indica una situación de peligro potencial que, si no se evita, **podría provocar la muerte o lesiones graves**

▲ **ATENCIÓN:** Indica una situación de peligro potencial que, si no se evita, **puede provocar lesiones leves o moderadas.**

ATENCIÓN: Utilizado sin el símbolo de alerta de seguridad indica una situación de peligro potencial que, si no se evita, **puede provocar daños en la propiedad.**

 **ADVERTENCIA:** para reducir el riesgo de lesiones, lea el manual de instrucciones.

Advertencias generales de seguridad para las herramientas eléctricas

▲ **ADVERTENCIA:** Lea todas las advertencias de seguridad e instrucciones. El incumplimiento de las advertencias o instrucciones puede provocar descargas eléctricas, incendios o lesiones graves.

GUARDE LAS ADVERTENCIAS E INSTRUCCIONES PARA PODER CONSULTARLAS EN EL FUTURO

El término "herramienta eléctrica" incluido en todas las advertencias se refiere a su herramienta eléctrica conectada a la red (cable eléctrico) o a su herramienta eléctrica accionada con baterías (inalámbrica).

1) SEGURIDAD DEL ÁREA DE TRABAJO

- a) **Mantenga el área de trabajo limpia y bien iluminada.** Las áreas abarrotadas u oscuras propician accidentes.
- b) **No haga funcionar las herramientas eléctricas en atmósferas explosivas, como ambientes donde haya polvo, gases o líquidos inflamables.** Las herramientas eléctricas originan chispas que pueden encender el polvo o producir humo.
- c) **Mantenga alejados a los niños y a los espectadores de la herramienta eléctrica en funcionamiento.** Las distracciones pueden provocar la pérdida de control.

2) SEGURIDAD ELÉCTRICA

- a) **Los enchufes de la herramienta eléctrica deben adaptarse a la toma de corriente. Nunca modifique el enchufe de ninguna manera. No utilice ningún enchufe adaptador con herramientas eléctricas con conexión a tierra.** Los enchufes no modificados y que se adaptan a las tomas de corrientes reducirán el riesgo de descarga eléctrica.
- b) **Evite el contacto corporal con superficies con toma de tierra como, por ejemplo, tuberías, radiadores, cocinas y refrigeradores.** Existe mayor riesgo de descarga eléctrica si su cuerpo está puesto a tierra.
- c) **No exponga las herramientas eléctricas a la lluvia ni a condiciones de humedad.** Si entra agua en una herramienta eléctrica, aumentará el riesgo de descarga eléctrica.
- d) **No use el cable indebidamente. Nunca utilice el cable para transportar, tirar o desenchufar la herramienta eléctrica. Mantenga el cable alejado del calor, el aceite, los bordes afilados o las piezas móviles.** Los cables dañados o enredados aumentan el riesgo de descarga eléctrica.
- e) **Al operar una herramienta eléctrica en el exterior, utilice un cable prolongador adecuado para tal uso.** Utilice un cable adecuado para uso en exteriores a fin de reducir el riesgo de descarga eléctrica.

- f) **Si no se puede evitar el uso de una herramienta eléctrica en una zona húmeda, utilice un dispositivo de corriente residual (residual current device, RCD) de seguridad.** El uso de un RCD reduce el riesgo de sufrir una descarga eléctrica.

3) SEGURIDAD PERSONAL

- a) **Permanezca alerta, controle lo que está haciendo y utilice el sentido común cuando emplee una herramienta eléctrica. No utilice una herramienta eléctrica si está cansado o bajo el efecto de drogas, alcohol o medicamentos.** Un momento de descuido mientras se opera una herramienta eléctrica puede provocar lesiones personales graves.
- b) **Utilice equipo de seguridad personal. Utilice siempre protección ocular.** El uso de equipo de seguridad, como mascarillas para polvo, calzado de seguridad antideslizante, cascos o protección auditiva en las condiciones adecuadas reducirá las lesiones personales.
- c) **Evite poner en marcha la herramienta involuntariamente. Asegúrese de que el interruptor está apagado antes de conectar la fuente de alimentación y/o la batería, coger o transportar la herramienta.** Transportar herramientas eléctricas con su dedo apoyado sobre el interruptor o enchufar herramientas eléctricas con el interruptor en la posición de encendido puede propiciar accidentes.
- d) **Retire la clavija de ajuste o la llave de tuercas antes de encender la herramienta eléctrica.** Una llave de tuercas o una clavija de ajuste que quede conectada a una pieza giratoria de la herramienta eléctrica puede provocar lesiones personales.
- e) **No se estire demasiado. Conserve el equilibrio y posicione adecuadamente en todo momento.** Esto permite un mejor control de la herramienta eléctrica en situaciones inesperadas.

- f) **Use la vestimenta adecuada. No use ropas holgadas ni joyas. Mantenga el cabello, la ropa y los guantes alejados de las piezas en movimiento.** Las ropas holgadas, las joyas o el cabello largo pueden quedar atrapados en las piezas en movimiento.
- g) **Si se suministran dispositivos para la conexión de accesorios con fines de recolección y extracción de polvo, asegúrese de que estén conectados y que se utilicen correctamente.** El uso del extractor de polvo puede reducir los riesgos relacionados con el polvo.

4) USO Y MANTENIMIENTO DE LA HERRAMIENTA ELÉCTRICA

- a) **No fuerce la herramienta eléctrica. Utilice la herramienta eléctrica correcta para el trabajo que realizará.** La herramienta eléctrica correcta hará el trabajo mejor, y de un modo más seguro, a la velocidad para la que fue diseñada.
- b) **No utilice la herramienta eléctrica si no puede encenderla o apagarla con el interruptor.** Las herramientas que no puedan ser controladas con el interruptor constituyen un peligro y deben repararse.
- c) **Desconecte el enchufe de la fuente de alimentación o la batería de la herramienta eléctrica antes de realizar cualquier ajuste, cambio de accesorios o almacenar las herramientas eléctricas.** Estas medidas de seguridad preventivas reducen el riesgo de encender la herramienta eléctrica de forma accidental.
- d) **Guarde la herramienta eléctrica que no esté en uso fuera del alcance de los niños y no permita que otras personas no familiarizadas con ella o con estas instrucciones operen la herramienta.** Las herramientas eléctricas son peligrosas si son operadas por usuarios que no tienen formación.

- e) **Mantenimiento de las herramientas eléctricas. Revise que no haya piezas en movimiento mal alineadas o trabadas, piezas rotas o cualquier otra situación que pueda afectar el funcionamiento de las herramientas eléctricas. Si encuentra daños, haga reparar la herramienta eléctrica antes de utilizarla. Se producen muchos accidentes a causa de las herramientas eléctricas que carecen de un mantenimiento adecuado.**
- f) **Mantenga las herramientas de corte afiladas y limpias.** Las herramientas de corte con mantenimiento adecuado y con los bordes de corte afilados son menos propensas a trabarse y son más fáciles de controlar.
- g) **Utilice las herramientas eléctricas, sus accesorios y piezas, etc. de acuerdo con las presentes instrucciones, teniendo siempre en cuenta las condiciones de trabajo y el trabajo que deba llevar a cabo. El uso de la herramienta eléctrica para operaciones diferentes de aquellas para las que fue diseñada podría originar una situación peligrosa.**

5) MANTENIMIENTO

- a) **Solicite a una persona cualificada en reparaciones que realice el mantenimiento de su herramienta eléctrica y que solo utilice piezas de repuesto idénticas. Esto garantizará la seguridad de la herramienta eléctrica.**

NORMAS ESPECÍFICAS DE SEGURIDAD

Advertencias de seguridad para cepillos

- **Sostenga la herramienta eléctrica por sus superficies de empuñadura aisladas cuando realice una operación en la cual la herramienta para cortar pudiera entrar en contacto con instalaciones eléctricas ocultas o con su**

propio cable. El contacto con un conductor activo hará que las piezas metálicas de la herramienta que estén expuestas a él conduzcan electricidad y que el operador reciba una descarga eléctrica.

- **Verifique que la hoja se haya detenido completamente antes de poner a un lado la herramienta. Si la hoja no se ha detenido completamente cuando se ponga a un lado la herramienta, esta podría causar lesiones o daños.**
- **Nunca ponga la mano debajo de la herramienta por ningún motivo a no ser que esté apagada y DESENCUFADA. SUS HOJAS ESTÁN EXPUESTAS Y SON EXTREMADAMENTE FILUDAS.**
- **Las hojas para el cepillo son extremadamente filudas. Maneje con mucho cuidado.**
- **Utilice esta herramienta para trabajar sólo con madera y con productos de madera.**
- **Los hilos del alargador deben ser de un calibre apropiado (AWG o American Wire Gauge) para su seguridad. Mientras menor sea el calibre del hilo, mayor la capacidad del cable. Es decir, un hilo calibre 16 tiene mayor capacidad que uno de 18. Un cable de un calibre insuficiente causará una caída en la tensión de la línea dando por resultado una pérdida de energía y sobrecalentamiento. Cuando se utilice más de un alargador para completar el largo total, asegúrese que los hilos de cada alargador tengan el calibre mínimo. La tabla siguiente muestra el tamaño correcto a utilizar, dependiendo de la longitud del cable y del amperaje nominal de la placa de identificación. Si tiene dudas sobre cuál calibre usar, use un calibre mayor. Cuanto más pequeño sea el número del calibre, más resistente será el cable.**

—... corriente directa	≈ corriente alterna
⚠ Construcción Clase I (conectada a tierra)	o corriente directa
⊖ terminal de conexión a tierra	n_0 velocidad sin carga
⚠ símbolo de advertencia de seguridad	☐ Construcción Clase II (doble aislamiento)
	BPM..... golpes por minuto
	.../min ... por minuto
	RPM revoluciones por minuto

DESCRIPCIÓN (FIG. 1, 3)

⚠ **ADVERTENCIA:** Nunca modifique la herramienta eléctrica, ni tampoco ninguna de sus piezas. Podría producir lesiones corporales o daños.

- A. Interruptor de encendido y apagado
- B. Botón de bloqueo
- C. Salida para virutas
- D. Botón de ajuste de profundidad del cepillado
- E. Graduación de la profundidad del cepillado
- F. Perno de ajuste de la guía paralela
- G. Orificio para la guía paralela
- H. Protector lateral
- I. Cubierta del motor
- J. Cubierta de la banda del impulsor
- K. Pie de estacionamiento
- L. Guía paralela

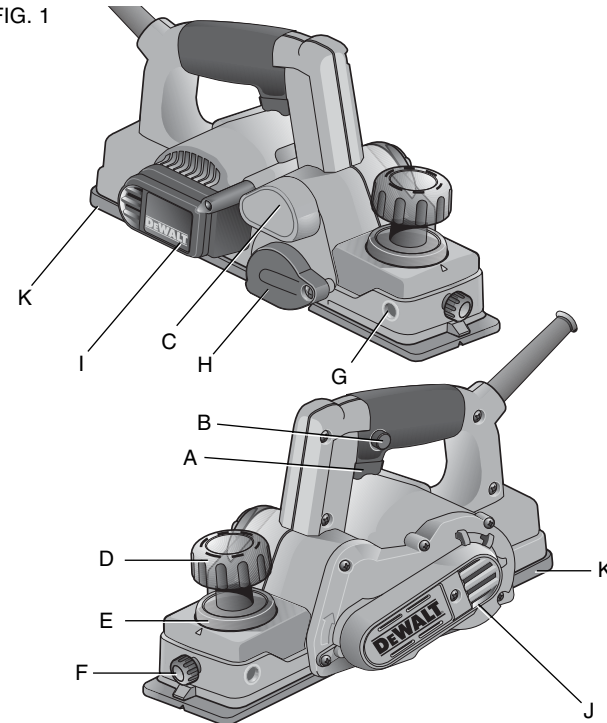
USO DEBIDO

Este cepillo de uso pesado está diseñada para el cepillado profesional de madera.

NO utilice la herramienta en condiciones húmedas o en la presencia de líquidos o gases inflamables.

Este cepillo de uso pesado es una herramienta eléctrica profesional. **NO** permita que un niño juegue con ella. Si el operador no tiene experiencia operando esta herramienta, su uso deberá ser supervisado.

FIG. 1



MONTAJE Y AJUSTES

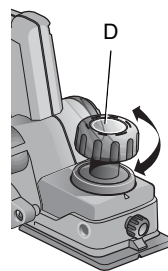
⚠ **ADVERTENCIA:** Para reducir el riesgo de lesiones corporales graves, apague la herramienta y desconéctela de la fuente de alimentación antes de realizar ajustes o de quitar o poner accesorios. Un arranque accidental puede causar lesiones.

Ajuste de la profundidad del corte (Fig. 2)

Gire el botón de ajuste de profundidad del cepillo (D).

Una vuelta completa del botón de ajuste equivale a un cambio de 1,5 mm en la profundidad. Cada clic del botón de ajuste representa una profundidad de 0,1 mm y aumentará hasta una profundidad de 1,0 mm.

FIG. 2

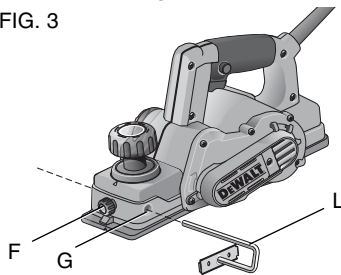


Cómo poner y sacar la guía paralela (Fig. 3)

La guía paralela (L) se usa para el control óptimo de la herramienta en piezas de trabajo angostas.

1. Afloje el perno mariposa de ajuste de la guía paralela (F).
2. Haga calzar la guía paralela (L) en el orificio (G) desde cualquiera de los dos lados.
3. Ajuste el perno de ajuste de la guía paralela.
4. Para retirar la guía paralela, siga las instrucciones en orden inverso.

FIG. 3



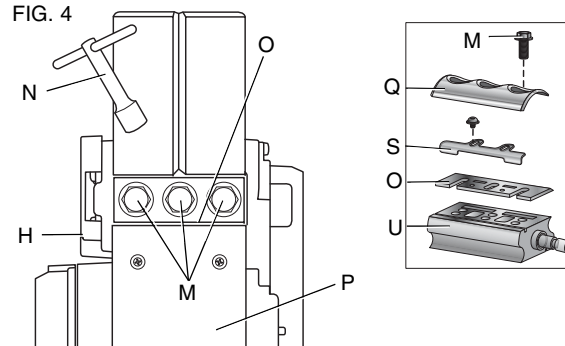
Cómo quitar las hojas (Fig. 4)

1. Quite los tres pernos (M) con la llave (N) que vino con la herramienta.
2. Empuje el protector lateral (H) hacia arriba.
3. Retire la cubierta del tambor (Q) y saque la hoja (O) de su sujetador.
4. Afile o cambie las hojas. Para ver cómo afilar las hojas, remítase a **Cómo afilar las hojas**.

ATENCIÓN: Riesgo de daños a la propiedad. Sustituya siempre ambas hojas.

5. Reponga la cubierta del tambor (Q). Verifique que la hoja esté al ras de la base cepilladora (P).
6. Ajuste los tres pernos (M).

FIG. 4

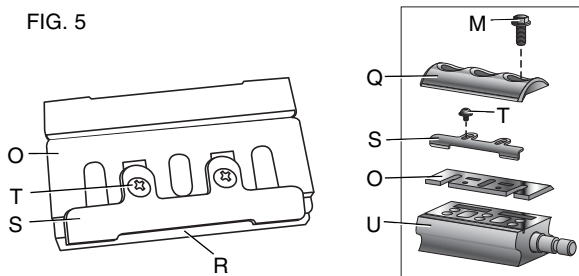


Cómo ajustar las hojas (Fig. 5)

1. Ponga la hoja (O) en el indicador (R) y verifique que el borde de la hoja esté completamente al ras del borde interior del indicador (R).

2. Ponga el soporte (S) en la hoja y verifique que la pestaña del soporte esté al ras con el lado posterior del indicador.
3. Ajuste los dos tornillos (T) del soporte.
4. Ponga la pestaña del soporte en la ranura del tambor (U).
5. Reponga la cubierta del tambor (Q) y ajuste los tres pernos (M).

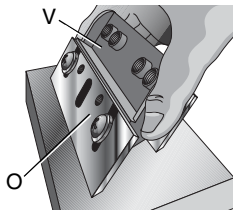
FIG. 5



Cómo afilar las hojas (Fig. 6)

1. Ajuste la hoja al soporte de afilado (V). Verifique que ambos bordes de la hoja estén orientados en la misma dirección.
2. Ponga los bordes de la hoja de modo que queden planos sobre la piedra de afilar.
3. Sujete firmemente el sujetador de afilado y desplácelo hacia atrás y hacia adelante para afilar la hoja (O).

FIG. 6



FUNCIONAMIENTO

⚠ ADVERTENCIA: Observe siempre las instrucciones de seguridad y los reglamentos aplicables.

⚠ ADVERTENCIA: Para reducir el riesgo de lesiones corporales graves, apague la herramienta y desconéctela de la fuente de alimentación antes de realizar ajustes o de quitar o poner accesorios.

ATENCIÓN: Riesgo de daños a la propiedad. Use sólo hojas afiladas.

ANTES DE SU OPERACIÓN:

- Ajuste la profundidad del corte.
- Calce y ajuste la guía paralela, si es necesario.

Interruptor (Fig. 1)

⚠ ADVERTENCIA: Verifique que la herramienta no esté bloqueada en operación continua antes de enchufarla a la toma de corriente. Si el conmutador tipo gatillo está bloqueado en operación continua, la herramienta arrancará apenas sea enchufada. Esto podría dañar la herramienta o resultar en lesiones corporales.

⚠ ATENCIÓN: Riesgo de daños a la propiedad. Deje que la herramienta alcance su velocidad total antes de tocar con ella la superficie de la pieza de trabajo. Levante la herramienta de la superficie de trabajo antes de apagarla.

Para encender el cepillo, presione el interruptor de gatillo (A). Para apagar el cepillo, suelte el interruptor tipo gatillo.

BOTÓN DE BLOQUEO EN OPERACIÓN CONTINUA

La herramienta puede ser bloqueada para operar continuamente. Para bloquear la herramienta en operación continua, presione el interruptor tipo gatillo (A) y oprima el botón de bloqueo (B). Mantenga apretado el botón de bloqueo al tiempo que suelta el interruptor tipo gatillo suavemente. La herramienta continuará en funcionamiento.

Para apagar la herramienta desde la posición de funcionamiento continuo, pulse y suelte el gatillo una vez.

Cepillado (Fig. 1)

⚠ ATENCIÓN: *Riesgo de daños a la propiedad. Deje que la herramienta alcance su velocidad total antes de tocar con ella la superficie de la pieza de trabajo. Levante la herramienta de la superficie de trabajo antes de apagarla.*

Ponga la parte anterior de la base sobre la superficie a cepillar, verificando que las hojas no estén tocando la superficie. Empuje hacia abajo con firmeza en el mango delantero de la cepilladora para que la base delantera quede **COMPLETAMENTE PLANA** sobre la superficie de trabajo. Encienda la herramienta y permita que el motor alcance su velocidad total antes de tocar las hojas del cepillo contra la superficie de trabajo.

Mueva la herramienta lentamente para trabajar la pieza, manteniendo la presión vertical para mantenerla plana contra la pieza. Tenga especial cuidado de mantener la herramienta plana al inicio y al final de la superficie de trabajo.

Consejo de cepillado: Para un aspecto más liso, agregue una pieza de madera de desecho a un extremo de la pieza que cepilla. No detenga el cepillo hasta que las hojas de corte de la misma hayan pasado la pieza de trabajo y estén sobre el material de desecho.

Pie de estacionamiento (Fig. 1)

Su cepillo viene con un pie de estacionamiento (K) que se baja automáticamente cuando se levanta la herramienta de la superficie de trabajo. Al cepillar, el pie de estacionamiento se levanta cuando la herramienta es desplazada hacia adelante. Cuando se baja el pie de estacionamiento, el cepillo puede ser puesta sobre la superficie de trabajo sin que la hoja la toque.

⚠ ATENCIÓN: *No bloquee el interruptor tipo gatillo para funcionamiento continuo cuando active el pie de estacionamiento. La vibración del motor en funcionamiento causaría que el cepillo se moviera y posiblemente cayera sobre la pieza de trabajo.*

MANTENIMIENTO

Su herramienta DEWALT ha sido diseñada para funcionar durante un largo período con un mínimo de mantenimiento. Un funcionamiento continuo satisfactorio depende del cuidado adecuado de la herramienta y de una limpieza periódica.

⚠ ADVERTENCIA: *Para minimizar el riesgo de graves lesiones personales, apague la herramienta y desconecte la batería antes de realizar ajustes o quitar/installar los acoples o accesorios. Un encendido accidental puede causar lesiones.*

Lubricación

La herramienta eléctrica no requiere lubricación adicional.

Limpieza

⚠ ADVERTENCIA: *Sople la suciedad y el polvo de la carcasa principal con aire seco siempre que vea acumularse el polvo alrededor de los respiraderos. Utilice protección ocular y mascarillas antipolvo aprobadas cuando realice este procedimiento.*

⚠ ADVERTENCIA: *no use nunca disolventes ni otros agentes químicos agresivos para limpiar las piezas no metálicas de la herramienta. Estos agentes químicos pueden debilitar los materiales de dichas piezas. Use un trapo humedecido sólo con agua y jabón suave. No deje que penetre ningún líquido dentro de la herramienta y no sumerja ninguna pieza de la herramienta en líquidos.*

Accesorios

⚠ ADVERTENCIA: *Dado que algunos accesorios, diferentes de los ofrecidos por DEWALT, no se han probado con este producto, el empleo de tales accesorios podría constituir un riesgo. Para reducir el riesgo de lesiones, sólo deben usarse con el producto los accesorios recomendados DEWALT.*

Si desea más información sobre los accesorios adecuados, consulte a su distribuidor.

Reparaciones

Para garantizar la SEGURIDAD y la CONFIABILIDAD, deberán hacerse reparaciones, mantenimiento y ajustes de esta herramienta en los centros autorizados de servicio DEWALT u otras organizaciones autorizadas. Estas organizaciones prestan servicio a las herramientas DEWALT y emplean siempre refacciones legítimas DEWALT.

ESPECIFICACIONES

D26676	
Voltaje	120 V ~ / 220 V ~
Entrada de potencia	550 W
Velocidad sin carga	17 000 min ⁻¹

Definições: Diretrizes de Segurança

As definições abaixo apresentadas descrevem o grau de gravidade correspondente a cada palavra de advertência. Leia cuidadosamente o manual e preste atenção a estes símbolos.

▲ PERIGO: Indica uma situação de risco iminente que, se não for evitada, resultará em morte ou ferimentos graves.

▲ AVISO: Indica uma situação de risco potencial que, se não evitada, poderá resultar em morte ou ferimentos graves.

▲ CUIDADO: Indica uma situação de risco potencial que, se não evitada, poderá resultar em ferimentos leves ou moderados.

CUIDADO: Usado sem o símbolo de alerta de segurança indica uma situação de risco potencial que, se não evitada, poderá resultar em danos à propriedade.



AVISO: para reduzir o risco de ferimentos, leia o manual de instruções.

Regras Gerais de Segurança

▲ AVISO! Leia todas as instruções. Falha no seguir de todas as instruções listadas abaixo pode resultar em choque elétrico, fogo e/ou em ferimento sério. O termo "ferramenta" em todos os avisos listados abaixo referem-se a ferramenta alimentada através de seu cordão ou a ferramenta operada a bateria (sem cordão).

GUARDE ESTAS INSTRUÇÕES

1) ÁREA DE TRABALHO

- a) **Mantenha a área de trabalho limpa e iluminada.** As áreas desorganizadas e escuras são um convite aos acidentes.

- b) **Não opere ferramentas em atmosferas explosivas, como na presença de líquidos inflamáveis, gases ou poeira.** As ferramentas criam faíscas que podem inflamar a poeira ou os vapores.
- c) **Mantenha crianças e visitantes afastados ao operar uma ferramenta.** As distrações podem fazer você perder o controle.

2) SEGURANÇA ELÉTRICA

- a) **Os plugues da ferramenta devem ser compatíveis com as tomadas. Nunca modifique o plugue. Não use nenhum plugue adaptador com as ferramentas aterradas.** Os plugues sem modificações aliados a utilização de tomadas compatíveis reduzirão o risco de choque elétrico
- b) **Evite o contato do corpo com superfícies ligadas ao terra ou aterradas tais como as tubulações, radiadores, escalas e refrigeradores.** Há um aumento no risco de choque elétrico se seu corpo for ligado ao terra ou aterramento.
- c) **Não exponha a ferramentas à chuva ou às condições úmidas.** A água entrando na ferramenta aumentará o risco de choque elétrico.
- d) **Não force o cabo elétrico. Nunca use o cabo elétrico para carregar, puxar ou o para desconectar a ferramenta da tomada. Mantenha o cabo elétrico longe do calor, óleo, bordas afiadas ou das partes em movimentos.** Os cabos danificados ou emaranhados aumentam o risco de choque elétrico.
- e) **Ao operar uma ferramenta ao ar livre, use um cabo de extensão apropriado para o uso ao ar livre.** O uso de um cabo apropriado ao ar livre reduz o risco de choque elétrico.

3) SEGURANÇA PESSOAL

- a) **Fique atento, olhe o que você está fazendo e use o bom senso ao operar uma ferramenta. Não use a ferramenta**

quando você estiver cansado ou sob a influência de drogas, álcool ou de medicamentos. Um momento de desatenção enquanto opera uma ferramenta pode resultar em grave ferimento pessoal.

- b) Use equipamento de segurança. Sempre use óculos de segurança.** O equipamento de segurança tais como a máscara contra a poeira, sapatos de segurança antiderrapantes, capacete de segurança, ou protetor auricular usados em condições apropriadas reduzirão os ferimentos pessoais.
- c) Evite acidente inicial. Assegure que o interruptor está na posição desligada antes de conectar o plugue na tomada.** Carregar a ferramentas com seu dedo no interruptor ou conectar a ferramenta que apresenta o interruptor na posição “ligado” são um convite à acidentes.
- d) Remova qualquer chave de ajuste antes de ligar a ferramenta.** Uma chave de boca ou de ajuste unida a uma parte rotativa da ferramenta pode resultar em ferimento pessoal.
- e) Não force além do limite. Mantenha o apoio e o equilíbrio adequado todas as vezes que utilizar a ferramenta.** Isto permite melhor controle da ferramenta em situações inesperadas.
- f) Vista-se apropriadamente. Não use roupas demasiadamente largas ou jóias.** Mantenha seus cabelos, roupas e luvas longe das peças móveis. A roupa folgada, jóias ou cabelos longos podem ser presos pelas partes em movimento.
- g) Se os dispositivos são fornecidos com conexão para extração e coleta de pó, assegure que estes estão conectados e usados corretamente.** O uso destes dispositivos podem reduzir riscos relacionados a poeira.

4) USO E CUIDADOS DA FERRAMENTA

- a) Não force a ferramenta. Use a ferramenta correta para sua aplicação.** A ferramenta correta fará o trabalho melhor e mais seguro se utilizada dentro daquilo para a qual foi projetada.
- b) Não use a ferramenta se o interruptor não ligar e desligar.** Qualquer ferramenta que não pode ser controlada com o interruptor é perigosa e deve ser reparada.
- c) Desconecte o plugue da tomada antes de fazer qualquer tipo de ajuste, mudança de acessórios ou armazenamento de ferramentas.** Tais medidas de segurança preventivas reduzem o risco de se ligar a ferramenta acidentalmente.
- d) Guarde as ferramentas fora do alcance das crianças e não permitam que pessoas não familiarizadas com a ferramenta ou com estas instruções operem a ferramenta.** As ferramentas são perigosas nas mãos de usuários não treinados.
- e) Manutenção das ferramentas. Cheque o desalinhamento ou coesão das partes móveis, rachaduras e qualquer outra condição que possa afetar a operação da ferramenta. Se danificada, a ferramenta deve ser reparada antes do uso.** Muitos acidentes são causados pela pobre manutenção das ferramentas.
- f) Mantenha ferramentas de corte afiadas e limpas.** A manutenção apropriada das ferramentas de corte com lâminas afiadas, tornam estas menos prováveis ao emperramento e são mais fáceis de controlar.
- g) Use a ferramenta, acessórios, suas partes etc., de acordo com as instruções e na maneira designada para o tipo particular da ferramenta, levando em consideração as condições e o trabalho a ser desempenhado.** O uso da ferramenta em operações diferentes das designadas podem resultar em situações de risco.

5) REPAROS

- a) *Tenha sua ferramenta reparada por um agente de reparos qualificado e que somente use peças originais. Isto irá assegurar que a segurança da ferramenta seja mantida.*

INSTRUÇÕES DE SEGURANÇA ESPECÍFICAS

Precauções de segurança específicas para plainas

- *Segure sempre uma ferramenta elétrica usando as empunhaduras isoladas ao fazer um trabalho onde a ferramenta de corte possa entrar em contato com uma fiação oculta ou com o cabo elétrico da própria ferramenta. O contato com um fio “vivo” carregará as partes metálicas expostas da ferramenta e causará um choque elétrico no operador.*
- *Espere até que a lâmina tenha parado completamente antes de colocar a ferramenta para descansar numa superfície. Caso contrário, se a lâmina não tiver parado completamente quando a ferramenta é colocada numa superfície, ela pode causar danos ou ferimentos.*
- *Nunca tente tocar a parte de baixo da ferramenta por nenhum motivo, a menos que a ferramenta tenha sido desligada e DESCONECTADA DA CORRENTE ELÉTRICA. AS LÂMINAS SÃO EXPOSTAS E SÃO EXTREMAMENTE AFIADAS.*
- *As lâminas de uma plaina são extremamente afiadas. Tenha muito cuidado.*
- *Use esta ferramenta para trabalhar com madeira e somente com madeira.*
- *Para sua segurança, os cabos de extensão devem ter um calibre adequado (AWG ou American Wire Gauge). Quanto menor for o calibre do fio, maior será a capacidade do cabo. Isto é, um fio de calibre 16 tem uma capacidade maior do que um fio de calibre 18. Uma extensão de menor calibre causará*

uma queda de voltagem o que resultará em perda de potência e superaquecimento da ferramenta. Ao usar mais de uma extensão para completar o comprimento total, tenha certeza de que os fios de cada extensão têm pelo menos o calibre mínimo. A tabela a seguir indica o tamanho que deve ser usado em função do comprimento do cabo e da amperagem nominal. Em caso de dúvida, use um fio de maior capacidade. Quanto menor o número do calibre, maior será a capacidade do cabo.

Tensão (Volts)	Comprimento do cabo de extensão em metros (m)				
	120 - 127V	0 - 7	7 - 15	15 - 30	30 - 50
220 - 240V	0 - 15	15 - 30	30 - 60	60 - 100	
Faixa de Corrente nominal (Ampères)	Secção mínima do cabo de extensão em milímetros quadrados (mm ²)				
	0 - 6A	1.0	1.5	1.5	2.5
	6 - 10A	1.0	1.5	2.5	4.0
	10 - 12A	1.5	1.5	2.5	4.0
	12 - 16A	2.5	4.0	Não Recomendado	

⚠ ATENÇÃO: *Use sempre uma proteção para os olhos. Todos os usuários e outras pessoas presentes devem usar uma proteção para os olhos em conformidade com a norma ANSI Z87.1.*

⚠ ATENÇÃO: *Ao trabalhar com esta ferramenta, use sempre uma proteção adequada para seus ouvidos em conformidade com a norma ANSI S12.6 (S3.19). Sob algumas condições e dependendo do tempo de uso contínuo, o ruído produzido pela ferramenta pode contribuir para a perda da audição.*

⚠ ATENÇÃO: *Use SEMPRE óculos de segurança. Seus óculos de uso diário NÃO são óculos de segurança. Além disso, caso o trabalho de corte possa criar muito pó, use sempre uma máscara facial ou máscara contra pó. USE SEMPRE EQUIPAMENTOS DE SEGURANÇA CERTIFICADOS:*

- *Proteção para os olhos ANSI Z87.1 (CAN/CSA Z94.3),*

- Proteção para os ouvidos ANSI S12.6 (S3.19),
- Proteção respiratória NIOSH/OSHA/MSHA.

⚠ ATENÇÃO: É possível que uma parte da poeira criada por algumas ferramentas elétricas de lixamento, serragem, esmerilhagem, perfuração e outras atividades de construção contenha substâncias químicas que comprovadamente causam câncer, defeitos congênitos ou problemas reprodutivos. Os seguintes são alguns exemplos desses produtos químicos:

- chumbo nas tintas à base de chumbo,
- sílica cristalina em tijolos, cimento e outros produtos de alvenaria, e
- arsênio e cromo em madeiras tratadas quimicamente com CCA (arseniato de cobre cromatado).

O risco de exposição a esses produtos varia dependendo da frequência de execução desse tipo de trabalho. A fim de reduzir sua exposição a essas substâncias químicas: trabalhe em áreas bem ventiladas e usando equipamentos de segurança aprovados como, por exemplo, máscaras contra pó fabricadas especialmente para impedir a passagem de partículas microscópicas.

- **Evite o contato prolongado com o pó produzido por lixamento, serragem, esmerilhagem, perfuração e outras atividades de construção. Vista roupas protetoras e lave com água e sabão as partes do corpo expostas. Permitir que o pó entre em contato com a boca, os olhos ou a pele pode provocar a absorção de produtos químicos nocivos pelo corpo.**

⚠ ATENÇÃO: O uso desta ferramenta pode criar e/ou espalhar pó que pode causar lesões respiratórias e de outros tipos sérias e permanentes. Use sempre equipamentos adequados de proteção respiratória contra pó aprovados pelo NIOSH ou pela OSHA. Direcione as partículas para longe do rosto e do corpo.

- *A etiqueta de sua ferramenta pode incluir os símbolos abaixo. As definições de cada um deles são as seguintes:*

V.....volts	A.....ampères
Hz.....hertz	W.....watts

minminutos

—corrente contínua

Ⓜ Construção de Classe I (aterrado)

⊕terminal de aterramento

⚠símbolo de alerta de segurança

.../min ...por minuto

~corrente alternada

⌚corrente alternada ou contínua

n_0 rotações sem carga

□Construção de Classe II (isolamento duplo)

BPM.....batidas por minuto

RPM.....revoluções por minuto

DESCRIÇÃO (FIG. 1, 3)

⚠ ATENÇÃO: Nunca tente fazer modificações numa ferramenta elétrica ou numa peça da ferramenta. Isto poderia lhe causar danos físicos ou ferimentos.

- Gatilho (Interruptor) Liga/Desliga
- Trava
- Saída de aparas
- Botão de ajuste da profundidade de corte
- Graduador da profundidade de corte
- Parafuso de aperto da guia paralela
- Orifício da guia paralela
- Protetor lateral
 - Tampa do motor
 - Tampa da correia de transmissão
- Pé de apoio
- Guia paralela

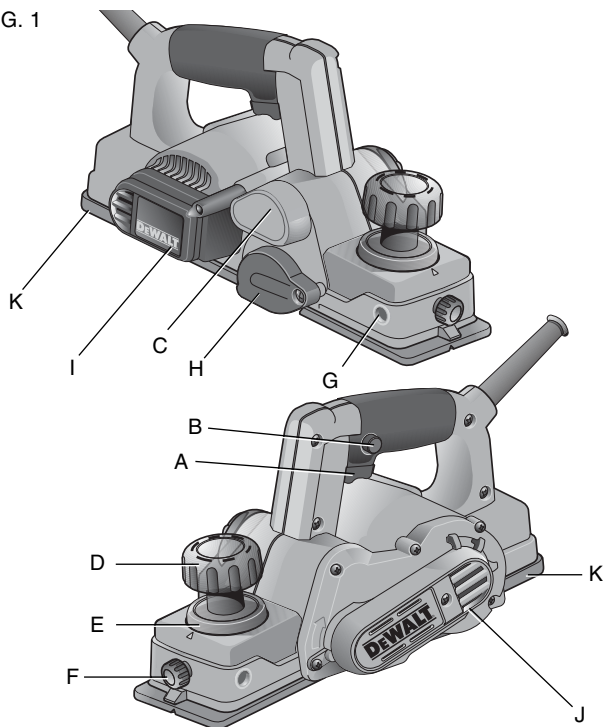
USO DEVIDO DA FERRAMENTA

Esta plaina de uso profissional foi projetada para realizar trabalhos profissionais de aplainamento de madeira.

NÃO use a ferramenta em condições úmidas ou na presença de líquidos ou gases inflamáveis.

Este aparelho é uma ferramenta elétrica de aplainamento para uso profissional. **NUNCA** deixe que nenhuma criança se aproxime da ferramenta. Os usuários que não tenham experiência com esta ferramenta devem sempre ser supervisionados.

FIG. 1



MONTAGEM E AJUSTES

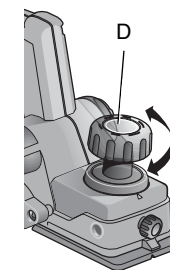
⚠ ATENÇÃO: A fim de reduzir o risco de lesões corporais, sempre desligue o aparelho e retire-o da alimentação elétrica antes de instalar ou remover acessórios e antes de fazer um ajuste. A fim de não causar danos físicos, o usuário deve ter cuidado para não acionar acidentalmente o aparelho.

Como ajustar a profundidade de corte (Fig. 2)

Gire o botão de ajuste da profundidade de corte (D).

Um giro do botão de ajuste equivale a uma variação de profundidade igual a 1,5 mm. Cada clique do botão representa 0,1 mm de profundidade e a profundidade pode aumentar até 1,0 mm.

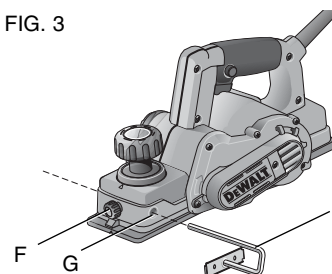
FIG. 2



Como prender e retirar a guia paralela (Fig. 3)

A guia paralela (L) é usada para obter o melhor controle da ferramenta ao trabalhar com peças estreitas.

FIG. 3



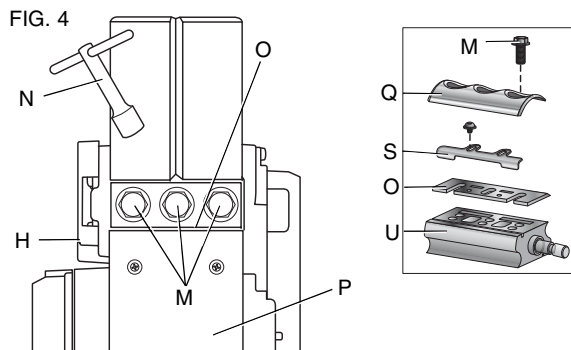
1. Afrouxe o parafuso da guia paralela (F).
2. Coloque a guia paralela (L) no orifício (G), num lado ou no outro da plaina.
3. Aperte o parafuso da guia paralela (F).
4. Para retirar a guia, siga as mesmas instruções em ordem inversa.

Como retirar as lâminas (Fig. 4)

1. Retire os três parafusos (M) usando a chave fornecida (N).
2. Empurre o protetor lateral (H) para cima.
3. Retire a tampa do tambor (Q) e retire a lâmina (O) do suporte.
4. Afie ou substitua as lâminas. Para afiar as lâminas, consulte a seção **Como afiar as lâminas**.

CUIDADO: Existe um risco de danos materiais. Substitua sempre as duas lâminas.

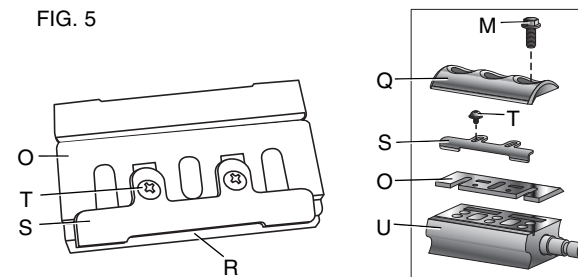
5. Recoloque a tampa do tambor (Q). Assegure-se de que a lâmina esteja nivelada com a base da plaina (P).
6. Aperte os três parafusos (M).



Como ajustar as lâminas (Fig. 5)

1. Coloque a lâmina (O) no gabarito (R), e assegure-se de que a beira da lâmina esteja perfeitamente nivelada com a beira interna do gabarito (R).
2. Coloque o suporte (S) sobre a lâmina, e assegure-se de que a aba do suporte esteja ajustada na parte traseira do gabarito.
3. Aperte os dois parafusos (T) no suporte.
4. Coloque a aba do suporte na ranhura do tambor (U).
5. Recoloque a tampa do tambor (Q) e aperte os três parafusos (M).

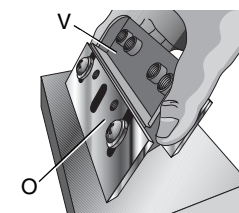
FIG. 5



Como afiar as lâminas (Fig. 6)

1. Prenda a lâmina no suporte de afiamento (V). Assegure-se de que os dois gumes das lâminas estejam voltados para a mesma direção.
2. Coloque os gumes das lâminas de maneira que eles fiquem planos na pedra de amolar.
3. Segure firmemente o afiador e o desloque para frente e para trás para afiar a lâmina (O).

FIG. 6



COMO OPERAR O APARELHO

⚠ ATENÇÃO: Siga sempre as instruções de segurança do aparelho e os regulamentos aplicáveis.

⚠ ATENÇÃO: A fim de reduzir o risco de lesões corporais sérias, sempre desligue o aparelho e retire-o da alimentação elétrica antes de instalar ou remover acessórios e antes de fazer um ajuste.

CAUIDADO: Existe um risco de danos materiais. Use somente lâminas afiadas.

ANTES DE UTILIZAR O APARELHO:

- Ajuste a profundidade de corte.
- Caso necessário, coloque e ajuste a guia paralela.

Gatilho Liga/Desliga (Fig. 1)

⚠ ATENÇÃO: Assegure-se de que o aparelho não esteja travado antes de conectá-lo à corrente elétrica. Caso o gatilho esteja travado quando a ferramenta for conectada à corrente elétrica, ela entrará em funcionamento imediatamente. Isto pode causar danos materiais ou ferimentos.

⚠ CAUIDADO: Existe um risco de danos materiais. Espere que o aparelho alcance a velocidade máxima antes de permitir que ele toque a superfície de trabalho. Sempre levante a ferramenta da superfície de trabalho antes de desligá-la.

Para acionar a plaina, aperte o gatilho (A). Para desligar a plaina, solte o gatilho.

BOTÃO DE TRAVA

A plaina pode ser travada para ser usada sem interrupção. Para travar a ferramenta em funcionamento, aperte o gatilho (A) e empurre para dentro o botão de trava (B). Mantenha o botão de trava apertado e solte ao mesmo tempo o gatilho. A plaina continuará a funcionar.

Para desligar a ferramenta quando ela estiver travada em funcionamento, aperte e solte uma vez o gatilho.

Como usar a plaina (Fig. 1)

⚠ CAUIDADO: Existe um risco de danos materiais. Espere que o aparelho alcance a velocidade máxima antes de permitir que ele toque a superfície de trabalho. Sempre levante a ferramenta da superfície de trabalho antes de desligá-la.

Coloque a frente da base do aparelho na superfície a ser aplainada. Assegure-se de que as lâminas não estejam tocando a superfície. Empurre firmemente para baixo a empunhadura dianteira da plaina de modo que a parte dianteira da base fique **COMPLETAMENTE PLANA** na superfície de trabalho. Ligue a plaina e espere até que o motor alcance a velocidade máxima antes de permitir que as lâminas toquem a superfície de trabalho.

Mova o aparelho lentamente e mantenha uma pressão para baixo para manter o aparelho numa posição plana. Tome muito cuidado a fim de manter a ferramenta plana no início e no fim da superfície de trabalho.

Para obter um melhor resultado: Prenda um retalho de madeira na ponta da peça a ser aplainada. Pare de aplainar somente depois que as lâminas tenham passado a peça sendo trabalhada e já tenham chegado ao retalho.

Pé de apoio (Fig. 1)

A plaina está equipada com um pé de apoio (K) que abaixa automaticamente sempre que a ferramenta é levantada da superfície de trabalho. Quando a ferramenta está aplainando, o pé de apoio se recolhe à medida que a plaina é puxada para frente. Quando o pé de apoio está abaixado, a plaina pode ser colocada na superfície de trabalho sem que a lâmina toque a superfície.

⚠ CAUIDADO: Nunca trave o gatilho e acione ao mesmo tempo o pé de apoio. A vibração do funcionamento do motor fará com que a plaina se desloque e ela pode até cair da superfície de trabalho.

MANUTENÇÃO

Esta ferramenta elétrica DEWALT foi concebida para o servir durante muito tempo com um mínimo de manutenção. Um funcionamento satisfatório e longo depende de cuidados adequados e de uma limpeza regular.

⚠ ATENÇÃO: Para reduzir o risco de lesões graves, desligue a ferramenta e desligue a bateria antes de proceder a quaisquer ajustes ou de remover/installar instrumentos ou acessórios. Um arranque acidental pode causar lesões.

Lubrificação

Esta ferramenta elétrica não requer lubrificação adicional.

Limpeza

⚠ AVISO: Injete ar seco para retirar a poeira e o pó do alojamento principal, sempre que notar uma acumulação de poeira nos respiradores ou em torno dos mesmos. Utilize uma protecção adequada para os olhos e uma máscara para o pó quando realizar esta operação.

⚠ AVISO: Nunca utilize solventes ou outros químicos agressivos para limpar as partes não metálicas da ferramenta. Estes químicos podem enfraquecer os materiais utilizados nestas partes. Utilize um pano umedecido apenas com água e detergente suave. Nunca permita que entre nenhum líquido na ferramenta; nunca mergulhe qualquer parte da ferramenta em líquido.

Acessórios

⚠ AVISO: Uma vez que os acessórios que não sejam os disponibilizados pela DEWALT não foram testados com este produto, a utilização de tais acessórios nesta ferramenta poderá ser perigosa. Para reduzir o risco de lesão, deverão utilizar-se apenas os acessórios recomendados pela DEWALT com este produto.

Consulte o seu revendedor para mais informações os acessórios adequados.

Reparos

Para assegurar a SEGURANÇA e a CONFIABILIDADE da ferramenta, os reparos, a manutenção e os ajustes (incluindo inspeção e substituição da escova) devem ser realizados por um centro de serviços autorizados da DEWALT ou outro pessoal técnico qualificado. Use sempre peças de reposição idênticas.

A DEWALT possui uma das maiores Redes de Serviços do País, Ligue: 0800-7034644 ou consulte nosso site: www.dewalt.com.br, para saber qual é a mais próxima de sua localidade.

ESPECIFICAÇÕES

	D26676
Voltagem	127 V~ / 220 V~
Alimentação elétrica	550 W
Rotações sem carga	17 000 min ⁻¹



SOLAMENTE PARA PROPÓSITO DE ARGENTINA:
IMPORTADO POR: BLACK & DECKER ARGENTINA S.A.
PACHECO TRADE CENTER
COLECTORA ESTE DE RUTA PANAMERICANA
KM. 32.0 EL TALAR DE PACHECO
PARTIDO DE TIGRE
BUENOS AIRES (B1618FBQ)
REPÚBLICA DE ARGENTINA
NO. DE IMPORTADOR: 1146/66
TEL. (011) 4726-4400

SOLAMENTE PARA PROPÓSITO DE MÉXICO:
IMPORTADO POR: BLACK & DECKER S.A. DE C.V.
BOSQUES DE CIDROS, ACCESO RADIATAS NO. 42
3A. SECCIÓN DE BOSQUES DE LAS LOMAS
DELEGACIÓN CUAJIMALPA,
05120, MÉXICO, D.F.
TEL. (52) 555-326-7100
R.F.C.: BDE810626-1W7

IMPORTED BY/IMPORTADO POR:
BLACK & DECKER DO BRASIL LTDA.
ROD. BR 050, S/Nº - KM 167
DIST. INDUSTRIAL II
UBERABA - MG - CEP: 38064-750
CNPJ: 53.296.273/0001-91
INSC. EST.: 701.948.711.00-98
S.A.C.: 0800-703-4644

MAQUINAS Y HERRAMIENTAS BLACK & DECKER CHILE S.A.
AVDA. EDUARDO FREI M. #6001 EDIFICIO 67
CONCHALI-SANTIAGO
CHILE

HECHO EN CHINA
FABRICADO NA CHINA
MADE IN CHINA

DEWALT Industrial Tool Co., 701 East Joppa Road, Baltimore, MD 21286
(MAY09) Part No. N028054 D26676 Copyright © 2009 DEWALT

The following are trademarks for one or more DEWALT power tools: the yellow and black color scheme; the "D" shaped air intake grill; the array of pyramids on the handgrip; the kit box configuration; and the array of lozenge-shaped humps on the surface of the tool.