

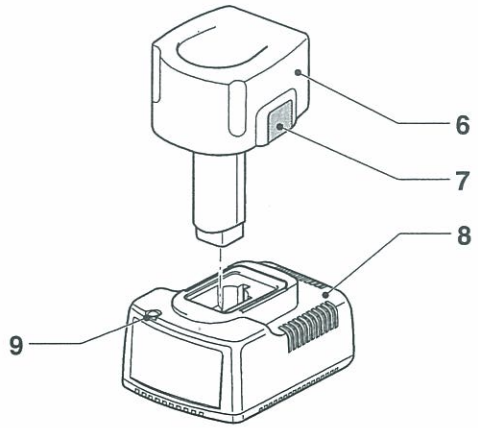
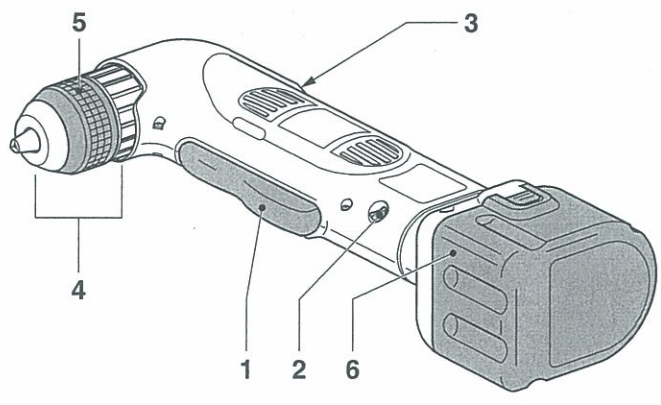
DEWALT®

DW955(K)

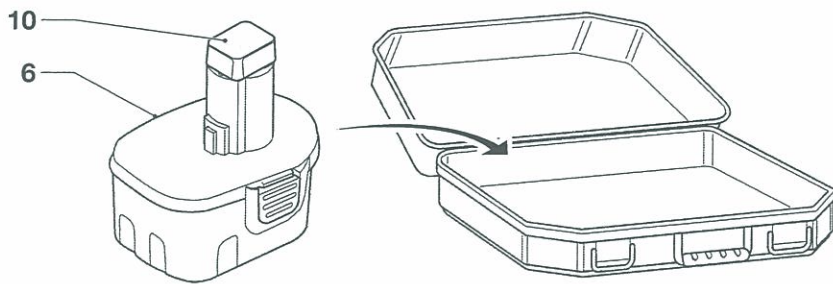
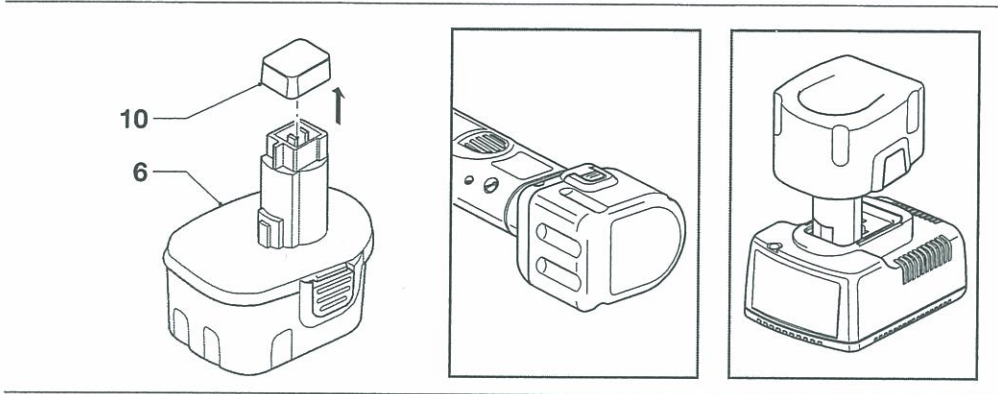
DW960

DW965(K)

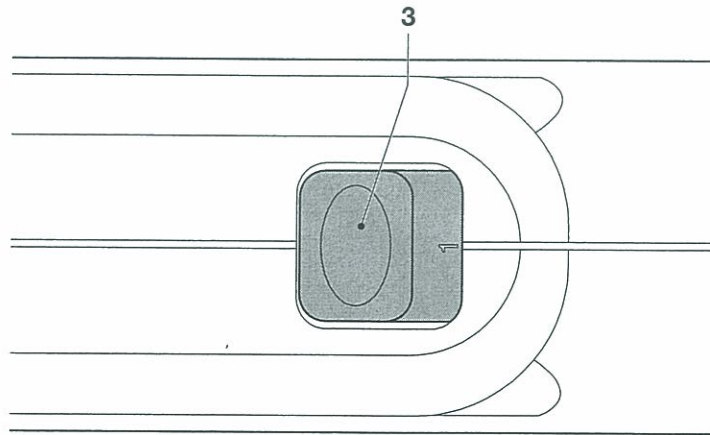
DW966(K)



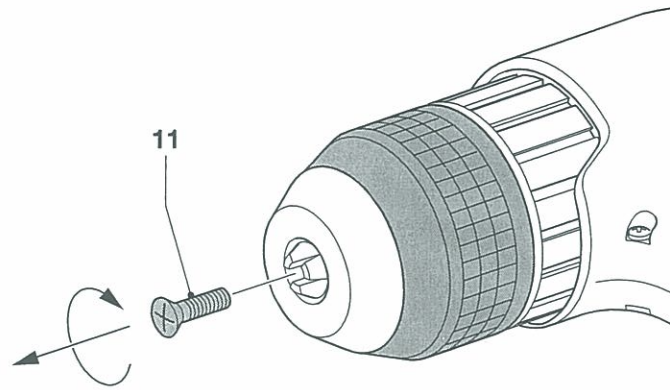
A



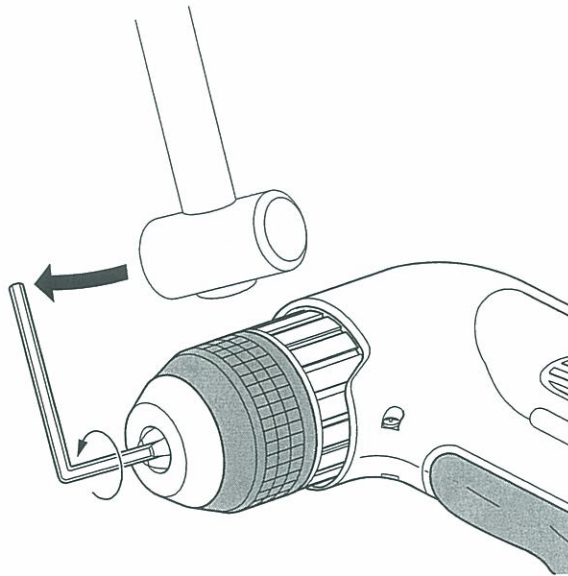
B



C



D



E

CORDLESS RIGHT ANGLE DRILL DW955/DW960/DW965/DW966

Congratulations!

You have chosen a DeWALT Power Tool. Years of experience, thorough product development and innovation make DeWALT one of the most reliable partners for professional Power Tool users.

Technical data

		DW955(K)	DW960	DW965(K)	DW966(K)
Voltage	V _{DC}	9.6	18	12	14.4
No-load speed					
1st gear	min ⁻¹	0-400	0-475	0-400	0-400
2nd gear	min ⁻¹	0-1,100	0-1,500	0-1,200	0-1,200
Chuck capacity	mm	10	10	10	10
Maximum drilling capacity in steel/wood					
	mm	10/22	10/28	10/25	10/28
Weight (without battery pack)	kg	1.3	1.4	1.3	1.3

Battery pack		DE9061	DE9071	DE9091
Voltage	V _{DC}	9.6	12	14.4
Capacity	Ah	2.0	2.0	2.0
Weight	kg	0.6	0.7	0.8

Charger		DE9108
Mains voltage	V _{AC}	230
Charging time	min	60
Weight	kg	0.4

Fuses:		
Europe	230 V tools	10 Amperes, mains
U.K. & Ireland	230 V tools	13 Amperes, in plugs

The following symbols are used throughout this manual:



Denotes risk of personal injury, loss of life or damage to the tool in case of non-observance of the instructions in this manual.



Denotes risk of electric shock.



Fire hazard!

EC-Declaration of conformity



DW955/DW960/DW965/DW966

DeWALT declares that these Power Tools have been designed in compliance with: 89/392/EEC, 89/336/EEC, 73/23/EEC, EN 50144, EN 55104 / EN 55014-2, EN 55014, EN 61000-3-2 & EN 61000-3-3.

For more information, please contact DeWALT at the address below, or refer to the back of the manual.

Level of sound pressure according to 86/188/EEC & 89/392/EEC, measured according to EN 50144:

L _{PA} (sound pressure)	dB(A)*	70
L _{WA} (acoustic power)	dB(A)	85

* at the operator's ear



Take appropriate measures for the protection of hearing if the sound pressure of 85 dB(A) is exceeded.

ENGLISH

Weighted root mean square acceleration value according to EN 50144:

$< 2.5 \text{ m/s}^2$

Director Engineering and Product Development
Horst Großmann



DeWALT, Richard-Klinger-Straße 40,
D-65510, Idstein, Germany

Safety instructions

When using Power Tools, always observe the safety regulations applicable in your country to reduce the risk of fire, electric shock and personal injury. Read the following safety instructions before attempting to operate this product. Keep these instructions in a safe place!

General

1 Keep work area clean

Cluttered areas and benches can cause accidents.

2 Consider work area environment

Do not expose Power Tools to humidity.

Keep work area well lit. Do not use Power Tools in the presence of flammable liquids or gases.

3 Guard against electric shock

Prevent body contact with earthed surfaces (e.g. pipes, radiators, cookers and refrigerators). For use under extreme conditions (e.g. high humidity, when metal swarf is being produced, etc.) electric safety can be improved by inserting an isolating transformer or a (FI) earth-leakage circuit-breaker.

4 Keep children away

Do not let children come into contact with the tool or extension cord. Supervision is required for those under 16 years of age.

5 Store idle tools

When not in use, Power Tools must be stored in a dry place and locked up securely, out of reach of children.

6 Dress properly

Do not wear loose clothing or jewellery. They can be caught in moving parts. Preferably wear rubber gloves and non-slip footwear when working outdoors. Wear protective hair covering to keep long hair out of the way.

7 Wear safety goggles

Also use a face or dust mask in case the operations produce dust or flying particles.

8 Beware of maximum sound pressure

Take appropriate measures for the protection of hearing if the sound pressure of 85 dB(A) is exceeded.

9 Secure workpiece

Use clamps or a vice to hold the workpiece. It is safer and it frees both hands to operate the tool.

10 Do not overreach

Keep proper footing and balance at all times.

11 Stay alert

Watch what you are doing. Use common sense.

Do not operate the tool when you are tired.

12 Remove adjusting keys and wrenches

Always check that adjusting keys and wrenches are removed from the tool before operating the tool.

13 Use appropriate tool

The intended use is described in this instruction manual. Do not force small tools or attachments to do the job of a heavy-duty tool. The tool will do the job better and safer at the rate for which it was intended.

Warning! The use of any accessory or attachment or performance of any operation with this tool, other than those recommended in this instruction manual may present a risk of personal injury.

14 Maintain tools with care

Keep the tools in good condition and clean for better and safer performance. Follow the instructions for maintenance and changing accessories. Inspect the tool cords at regular intervals and, if damaged, have them repaired by an authorized DeWALT repair agent. Keep all controls dry, clean and free from oil and grease.

15 Check for damaged parts

Before using the tool, carefully check it for damage to ensure that it will operate properly and perform its intended function. Check for misalignment and seizure of moving parts, breakage of parts and any other conditions that may affect its operation.

Have damaged guards or other defective parts repaired or replaced as instructed. Do not use the tool if the switch is defective. Have the switch replaced by an authorized DeWALT repair agent.



Do not charge damaged battery packs

16 Remove the battery pack

Remove the battery pack when not in use, before servicing and when changing accessories.



Read instruction manual before use

17 Have your tool repaired by an authorized DeWALT repair agent

This Power Tool is in accordance with the relevant safety regulations. To avoid danger, electric appliances must only be repaired by qualified technicians.



Use only with DeWALT battery packs, others may burst, causing personal injury and damage



Do not expose to water



Have defective cords replaced immediately

Additional safety instructions for battery packs



Fire hazard! Avoid metal short circuiting the contacts of a detached battery pack. Do not store or carry the battery pack without the battery cap placed over the contacts.



Charge only between 4 °C and 40 °C



Discard the battery pack with due care for the environment

- The battery fluid, a 25-30% solution of potassium hydroxide, can be harmful. In case of skin contact, flush immediately with water. Neutralize with a mild acid such as lemon juice or vinegar. In case of eye contact, rinse abundantly with clean water for at least 10 minutes. Consult a physician.
- Never attempt to open a battery pack for any reason.



Do not incinerate the battery pack

Labels on charger and battery pack

In addition to the pictographs used in this manual, the labels on the charger and the battery pack show the following pictographs:



Battery charging



Battery charged



Battery defective



Do not probe with conductive objects

Package contents

The package contains:

- 1 Cordless right angle drill
- 1 Battery pack (K-models)
- 1 Charger (K-models)
- 1 Kitbox (K-models)
- 1 Instruction manual
- 1 Exploded drawing

- Check for damage to the tool, parts or accessories which may have occurred during transport.
- Take the time to thoroughly read and understand this manual prior to operation.

Description (fig. A)

Your cordless right angle drill has been designed for professional drilling and screwdriving applications, especially in confined spaces.

- 1 Variable speed switch
- 2 Forward/reverse switch
- 3 Two gear selector

ENGLISH

- 4 Keyless chuck
- 5 Sleeve
- 6 Battery pack

Charger

Your DE9108 charger accepts DeWALT battery packs ranging from 7.2 V to 18 V.

- 6 Battery pack
- 7 Release buttons
- 8 Charger
- 9 Charging indicator (red)

Electrical safety

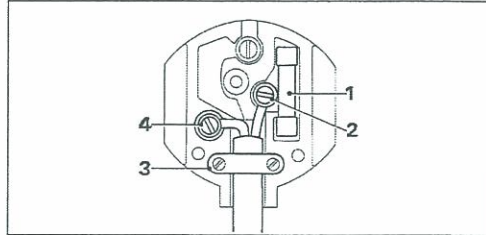
The electric motor has been designed for one voltage only. Always check that the battery pack power corresponds to the voltage on the rating plate. Also make sure that the voltage of your charger corresponds to that of your mains.



Your DeWALT charger is double insulated in accordance with EN 50144.

Mains plug replacement (U.K. & Ireland only)

- Should your mains plug need replacing and you are competent to do this, proceed as instructed below. If you are in doubt, contact an authorized DeWALT repair agent or a qualified electrician.
- Disconnect the plug from the supply.
- Cut off the plug and dispose of it safely; a plug with bared copper conductors is dangerous if engaged in a live socket outlet.
- Only fit 13 Amperes BS1363A approved plugs fitted with the correctly rated fuse (1).
- The cable wire colours, or a letter, will be marked at the connection points of most good quality plugs. Attach the wires to their respective points in the plug (see below). Brown is for Live (L) (2) and Blue is for Neutral (N) (4).
- Before replacing the top cover of the mains plug ensure that the cable restraint (3) is holding the outer sheath of the cable firmly and that the two leads are correctly fixed at the terminal screws.



Never use a light socket.
Never connect the live (L) or neutral (N) wires to the earth pin marked E or \perp .

Using an extension cable

An extension cord should not be used unless absolutely necessary. Use an approved extension cable suitable for the power input of your charger (see technical data). The minimum conductor size is 0.5 mm²; the maximum length is 30 m.

Assembly and adjustment



Prior to assembly and adjustment, always remove the battery pack.



Always switch OFF the tool before inserting or removing the battery pack.

Battery pack (fig. A)

Charging the battery pack

When charging the battery pack for the first time, or after prolonged storage, it will only accept an 80% charge. After several charge and discharge cycles, the battery pack will attain full capacity. Always check the mains prior to charging the battery pack. If the mains is functioning but the battery pack does not charge, take your charger to an authorised DeWALT repair agent. Whilst charging, the charger and the battery pack may become warm to touch. This is a normal condition and does not indicate a problem.



Do not charge the battery pack at ambient temperatures <4 °C or >40 °C.
Recommended charging temperature: approx. 24 °C.

- To charge the battery pack (6), insert it into the charger (8) as shown and plug in the charger. Be sure that the battery pack is fully seated in the charger. The red charging indicator (9) will blink. After approx. 1 hour, it will stop blinking and remain on. The battery pack is now fully charged. The battery pack can be removed at any time or left in the connected charger indefinitely.

Inserting and removing the battery pack

- Insert the battery pack into the grip until it clicks in place.
- To remove the battery pack, press the two release buttons (7) simultaneously and pull the pack out of the grip.

Battery cap (fig. B)

A protective cap is supplied to cover the contacts of a detached battery pack. Without the protective cap in place, loose metal objects could short circuit the contacts, causing a fire hazard and damaging the battery pack.

- Take off the protective cap (10) before placing the battery pack (6) in the charger or tool.
- Place the protective cap over the contacts immediately after removing the battery pack from the charger or tool.



Make sure the protective cap is in place before storing or carrying a detached battery pack.

Inserting and removing bits (fig. A)

- Open the chuck (4) by turning the sleeve (5) counterclockwise and insert the bit shank.
- Place the bit in the chuck as far as it will go and lift slightly before tightening.
- Tighten firmly by turning the sleeve clockwise while holding the rear part of the chuck with one hand.
- To remove the bit, proceed in reverse order.

Forward/reverse switch (fig. A)

- To select forward or reverse rotation, use the forward/reverse slider (2) as shown (see arrows on tool).



Always wait until the motor has come to a complete standstill before changing the direction of rotation.

Two gear selector (fig. C)

Your tool is fitted with a two gear selector (3) to vary the speed/torque ratio.

- 1 low speed/high torque
(drilling large holes, driving large screws)
- 2 high speed/low torque
(drilling smaller holes, driving smaller screws)

For speed rates, refer to the technical data.



Always push the two gear selector completely forward or backward.

- Do not change gears at full speed or during use.

Removing and fitting the chuck (fig. D & E)

- Open the chuck jaws as far as possible.
- Insert a screwdriver into the chuck and remove the chuck retaining screw (11) by turning clockwise as shown in figure D.
- Tighten an Allen key into the chuck and strike it with a hammer as shown in figure E. This will loosen the chuck so that it can be unscrewed by hand.
- To refit the chuck, proceed in reverse order.

Instructions for use



- Always observe the safety instructions and applicable regulations.
- Be aware of the location of pipework and wiring.
- Apply only a gentle pressure to the tool. Excessive force does not speed up drilling but decreases tool performance and may shorten tool life.
- To minimise stalling on break-through, progressively reduce the drill point pressure towards the end of the operation.
- Keep the motor running when pulling the bit back out of a drilled hole. This will help prevent jamming.

Prior to operation:

- Make sure your battery pack is (fully) charged.
- Insert the appropriate bit.
- Mark the spot where the hole is to be drilled.
- Select forward or reverse rotation.

ENGLISH

Switching ON and OFF (fig. A)

- To run the tool, press the variable speed switch (1). The pressure exerted on the variable speed switch determines the tool speed.
- To stop the tool, release the switch.
- To lock the tool in OFF-position, move the forward/reverse slider (2) to the central position.



The drill is equipped with a brake to stop the tool as soon as the variable speed switch is fully released.

Drilling in metal

- Use a cutting lubricant when drilling metals. The exceptions are cast iron and brass which should be drilled dry.

Drilling in wood

- Holes in wood can be made with the same twist drills used for metal. These bits may overheat unless pulled out frequently to clear chips from the flutes.
- For larger holes use Auger bits.
- Use a block of wood to back up workpieces that may splinter.

Consult your dealer for further information on the appropriate accessories.

Maintenance

Your DeWALT Power Tool has been designed to operate over a long period of time with a minimum of maintenance. Continuous satisfactory operation depends upon proper tool care and regular cleaning.



Lubrication

Your Power Tool requires no additional lubrication.



Cleaning

- Unplug the charger before cleaning the housing with a soft cloth.
- Remove the battery pack before cleaning your Power Tool.
- Keep the ventilation slots clear and regularly clean the housing with a soft cloth.

Environment



Rechargeable battery pack

This long life battery pack must be recharged when it fails to produce sufficient power on jobs which were easily done before. At the end of its technical life, discard it with due care for our environment:

- Run the battery pack down completely, then remove it from the tool.
- NiCd cells are recyclable. Take them to your dealer or a local recycling station. The collected battery packs will be recycled or disposed of properly.



Unwanted tools

Take your tool to an authorised DeWALT repair agent where it will be disposed of in an environmentally safe way.

GUARANTEE

• 30 DAY NO RISK SATISFACTION GUARANTEE •

If you are not completely satisfied with the performance of your DeWALT tool, simply return it within 30 days, complete as purchased, to the point of purchase, for a full refund or exchange. Proof of purchase must be produced.

• ONE YEAR FREE SERVICE CONTRACT •

If you need maintenance or service for your DeWALT tool, in the 12 months following purchase, it will be undertaken free of charge at an authorized DeWALT repair agent. Proof of purchase must be produced. Includes labour and spare parts for Power Tools. Excludes accessories.

• ONE YEAR FULL WARRANTY •

If your DeWALT product becomes defective due to faulty materials or workmanship within 12 months from the date of purchase, we guarantee to replace all defective parts free of charge or, at our discretion, replace the unit free of charge provided that:

- The product has not been misused.
- Repairs have not been attempted by unauthorized persons.
- Proof of purchase date is produced.

This guarantee is offered as an extra benefit and is additional to consumers statutory rights.

For the location of your nearest authorized DeWALT repair agent, please use the appropriate telephone number on the back of this manual.