

DEWALT®

www.DEWALT.com

**DW266
DW268
DW269**

English (*original instructions*)

4

Français (*traduction de la notice d'instructions originale*)

10

Figure 1

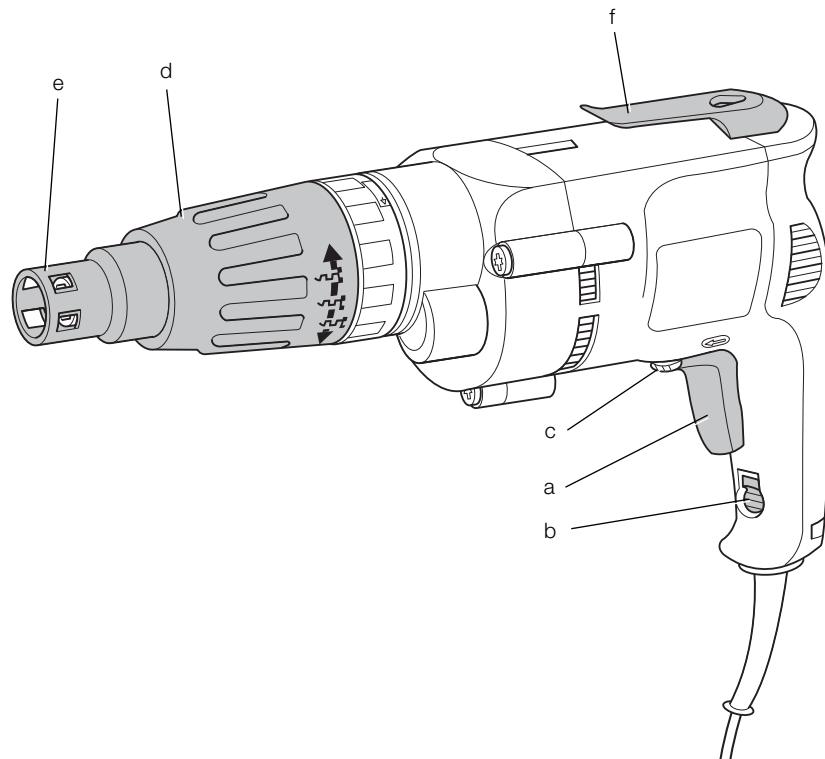


Figure 2

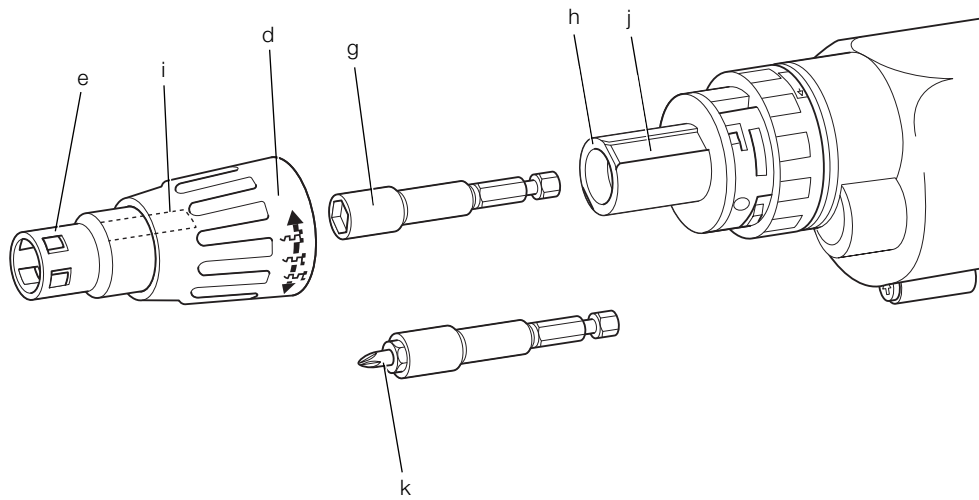


Figure 3

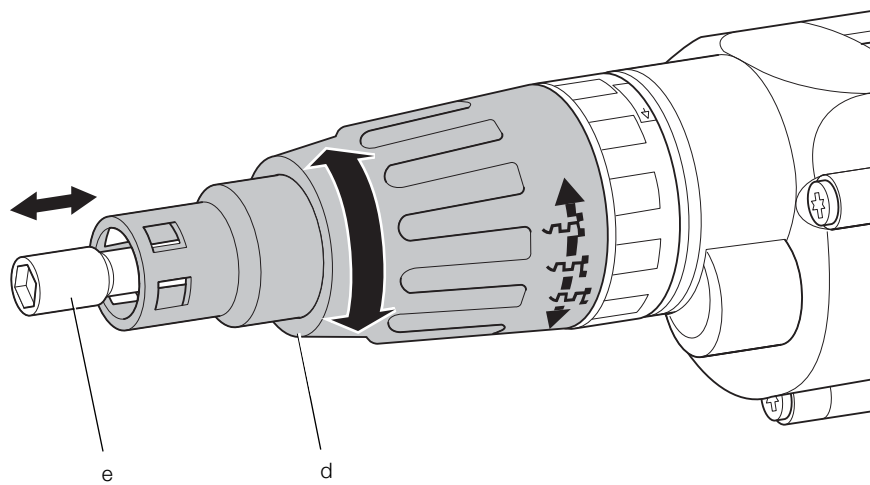


Figure 4

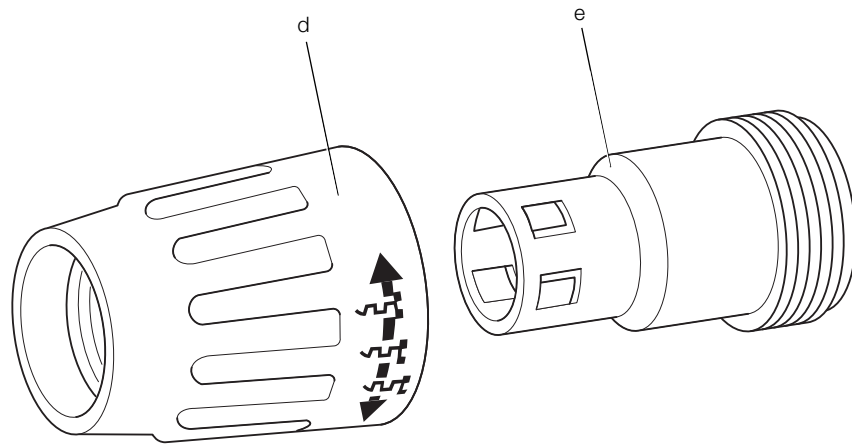


Figure 5

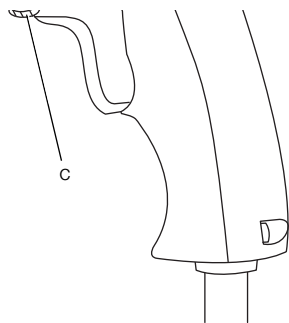
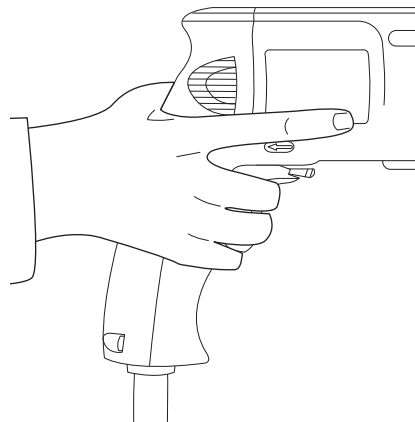


Figure 6



DRYWALL SCREWDRIVER

DW266, DW268, DW269

Congratulations!

You have chosen a DEWALT tool. Years of experience, thorough product development and innovation make DEWALT one of the most reliable partners for professional power tool users.

Technical Data

		DW266	DW268	DW269
Voltage	V	220/240	220/240	220/240
	V	120	120	120
Power output	W	540	540	540
No load speed	min ⁻¹	0–2500	0–2500	0–1000
Bit holder		1/4" hex	1/4" hex	1/4" hex
Clutching method	depth		Versa	Versa
	sensitive		clutch	clutch
Weight	kg	1.4	1.4	1.4

Definitions: Safety Guidelines

The definitions below describe the level of severity for each signal word. Please read the manual and pay attention to these symbols.



DANGER: Indicates an imminently hazardous situation which, if not avoided, **will** result in **death or serious injury**.



WARNING: Indicates a potentially hazardous situation which, if not avoided, **could** result in **death or serious injury**.



CAUTION: Indicates a potentially hazardous situation which, if not avoided, **may** result in **minor or moderate injury**.

NOTICE: Indicates a practice **not related to personal injury** which, if not avoided, **may** result in **property damage**.



Denotes risk of electric shock.



Denotes risk of fire.



WARNING: To reduce the risk of injury, read the instruction manual.

General Power Tool Safety Warnings



WARNING! Read all safety warnings and all instructions. Failure to follow the warnings and instructions may result in electric shock, fire and/or serious injury.

SAVE ALL WARNINGS AND INSTRUCTIONS FOR FUTURE REFERENCE

The term "power tool" in the warnings refers to your mains-operated (corded) power tool or battery-operated (cordless) power tool.

1) WORK AREA SAFETY

- Keep work area clean and well lit.** Cluttered or dark areas invite accidents.
- Do not operate power tools in explosive atmospheres, such as in the presence of flammable liquids, gases or dust.** Power tools create sparks which may ignite the dust or fumes.
- Keep children and bystanders away while operating a power tool.** Distractions can cause you to lose control.

2) ELECTRICAL SAFETY

- Power tool plugs must match the outlet. Never modify the plug in any way. Do not use any adapter plugs with earthed (grounded) power tools.** Unmodified plugs and matching outlets will reduce risk of electric shock.
- Avoid body contact with earthed or grounded surfaces such as pipes, radiators, ranges and refrigerators.** There is an increased risk of electric shock if your body is earthed or grounded.
- Do not expose power tools to rain or wet conditions.** Water entering a power tool will increase the risk of electric shock.
- Do not abuse the cord. Never use the cord for carrying, pulling or unplugging the power tool. Keep cord away from heat, oil, sharp edges or moving parts.** Damaged or entangled cords increase the risk of electric shock.
- When operating a power tool outdoors, use an extension cord suitable for outdoor use.** Use of a cord suitable for outdoor use reduces the risk of electric shock.

- f) **If operating a power tool in a damp location is unavoidable, use a residual current device (RCD) protected supply.** Use of an RCD reduces the risk of electric shock.

3) PERSONAL SAFETY

- a) **Stay alert, watch what you are doing and use common sense when operating a power tool. Do not use a power tool while you are tired or under the influence of drugs, alcohol or medication.** A moment of inattention while operating power tools may result in serious personal injury.
- b) **Use personal protective equipment. Always wear eye protection.** Protective equipment such as dust mask, non-skid safety shoes, hard hat, or hearing protection used for appropriate conditions will reduce personal injuries.
- c) **Prevent unintentional starting. Ensure the switch is in the off position before connecting to power source and/or battery pack, picking up or carrying the tool.** Carrying power tools with your finger on the switch or energising power tools that have the switch on invites accidents.
- d) **Remove any adjusting key or wrench before turning the power tool on.** A wrench or a key left attached to a rotating part of the power tool may result in personal injury.
- e) **Do not overreach. Keep proper footing and balance at all times.** This enables better control of the power tool in unexpected situations.
- f) **Dress properly. Do not wear loose clothing or jewellery. Keep your hair, clothing and gloves away from moving parts.** Loose clothes, jewellery or long hair can be caught in moving parts.
- g) **If devices are provided for the connection of dust extraction and collection facilities, ensure these are connected and properly used.** Use of dust collection can reduce dust-related hazards.
- c) **Disconnect the plug from the power source and/or the battery pack from the power tool before making any adjustments, changing accessories, or storing power tools.** Such preventive safety measures reduce the risk of starting the power tool accidentally.
- d) **Store idle power tools out of the reach of children and do not allow persons unfamiliar with the power tool or these instructions to operate the power tool.** Power tools are dangerous in the hands of untrained users.
- e) **Maintain power tools. Check for misalignment or binding of moving parts, breakage of parts and any other condition that may affect the power tool's operation. If damaged, have the power tool repaired before use.** Many accidents are caused by poorly maintained power tools.
- f) **Keep cutting tools sharp and clean.** Properly maintained cutting tools with sharp cutting edges are less likely to bind and are easier to control.
- g) **Use the power tool, accessories and tool bits etc., in accordance with these instructions taking into account the working conditions and the work to be performed.** Use of the power tool for operations different from those intended could result in a hazardous situation.

5) SERVICE

- a) **Have your power tool serviced by a qualified repair person using only identical replacement parts.** This will ensure that the safety of the power tool is maintained.

Additional Specific Safety Rules for Screwdrivers

- **Hold power tool by insulated gripping surface, when performing an operation where the fastener may contact hidden wiring or its own cord (bolt).** Fasteners contacting a "live" wire may make exposed metal parts of the power "live" and could give the operator an electric shock.

Residual Risks

In spite of the application of the relevant safety regulations and the implementation of safety devices, certain residual risks cannot be avoided. These are:

- Impairment of hearing.
- Risk of personal injury due flying particles.

ENGLISH

- Risk of burns due to accessories becoming hot during operation.
- Risk of personal injury due to prolonged use.
- Risk of squeezing fingers when changing the accessory.
- Health hazards caused by breathing dust developed when working in concrete and/or masonry.

Markings on Tool

The following pictograms are shown on the tool:



Read instruction manual before use.

Package Contents

The package contains:

- 1 Pistol grip screwdriver DW266
- or
- 1 Universal screwdriver (DW268, DW269)
- 1 Kitbox (K-models only)
- 1 Instruction manual
- 1 Exploded drawing
- Check for damage to the tool, parts or accessories which may have occurred during transport.
- Take the time to thoroughly read and understand this manual prior to operation.

Description (fig. 1)



WARNING: Never modify the power tool or any part of it. Damage or personal injury could result.

- Variable speed switch
- Lock-on button
- Forward/reverse slider
- Depth adjustment collar (DW266)
Torque adjustment collar (DW268, DW269)
- Depth locator (DW266)
Ball retainer (DW268, DW269)
- Belt clip

DEAD SPINDLE DRIVE CLUTCH

This screwdriver is equipped with a dead spindle feature; the spindle does not turn until the fastener is pressed into the workpiece. This enables fasteners to be placed onto the drive accessory of a running screwdriver.

INTENDED USE

Your DW266 screwdriver has been designed for professional screwdriving applications and for use as a nutsetter.

Your DW268/DW269 universal screwdriver has been designed for professional screwdriving applications.

DO NOT use under wet conditions or in presence of flammable liquids or gases.

These screwdrivers are professional power tools.

DO NOT let children come into contact with the tool. Supervision is required when inexperienced operators use this tool.

- This product is not intended for use by persons (including children) suffering from diminished physical, sensory or mental abilities; lack of experience, knowledge or skills unless they are supervised by a person responsible for their safety. Children should never be left alone with this product.

Electrical Safety

The electric motor has been designed for one voltage only. Always check that the power supply corresponds to the voltage on the rating plate.



Your DEWALT tool is double insulated in accordance with EN 60745; therefore no earth wire is required.



WARNING: 120 V units have to be operated via a fail-safe isolating transformer with an earth screen between the primary and secondary winding.

If the supply cord is damaged, it must be replaced by a specially prepared cord available through the DEWALT service organisation.

Mains Plug Replacement (Middle East and Africa)

If a new mains plug needs to be fitted:

- Safely dispose of the old plug.
- Connect the brown lead to the live terminal in the plug.
- Connect the blue lead to the neutral terminal.



WARNING: No connection is to be made to the earth terminal.

Follow the fitting instructions supplied with good quality plugs. Recommended fuse: 13 A.

Using an Extension Cable

If an extension cable is required, use an approved extension cable suitable for the power input of this tool (see **Technical Data**). The minimum conductor size is 1 mm²; the maximum length is 30 m.

When using a cable reel, always unwind the cable completely.

ASSEMBLY AND ADJUSTMENTS



WARNING: To reduce the risk of injury, turn unit off and disconnect machine from power source before installing and removing accessories, before adjusting or changing set-ups or when making repairs. Be sure the trigger switch is in the OFF position. An accidental start-up can cause injury.

Fitting and Removing 1/4" Hex Drive Accessories

Your DEWALT screwdriver has a 1/4" hexagonal drive system. The drive accessory is retained in the holder by a ball and a spring which engages in a groove in the accessory shank.

DW268, DW269 (FIG. 1)

1. Pull the ball retainer (e) to the front and hold it.
2. Insert the accessory.
3. Release the ball retainer.

DW266 (FIG. 2)

1. Remove the collar (d) by pulling it forward.
2. Select the required accessory (both models) and matching depth locator (e) when using a nutsetter (DW266).
3. To insert the accessory (g), e.g., a bit holder or nutsetter, push it into the holder (h) until it snaps in place. Tap it lightly if required.
4. To remove the accessory pull it out of the holder using a pair of pliers.
5. Reinstall the collar (d) by aligning the ribs (i) on the inside of the collar (d) with the grooves (j) in the clutch housing and snap the collar in place.

REPLACING THE BIT TIP (FIG. 2)

Simply pull out the bit tip (k). A pair of pliers maybe required.

Driving Depth (fig. 3)

DW266

The depth sensitive feature offers the following advantages:

- The selected driving depth is repeatable for structural integrity.
- Screws with sealing washers are driven correctly so that no leaks occur.

SETTING THE DRIVING DEPTH

The driving depth is determined by the position of the depth locator (e) in relation to the bit or socket. The symbols on the collar (d) indicate how to set the driving depth.

Turn the collar (d) clockwise to increase the driving depth.

Turn the collar (d) counterclockwise to decrease the driving depth.

Using a Nutsetter (fig. 3)

DW266

1. For screws with sealing washers, turn the collar (d) until the end of the nutsetter is flush with the end of the depth locator.
 - If required, turn the collar until the nutsetter is recessed approximately 2 mm into the depth locator.

NOTE: ALWAYS refer to the screw manufacturer's specifications for the proper sealing washer settings in different applications.

2. Drive a screw into a waste piece and check the distance between the washer and the material.
3. Turn the collar (d) counterclockwise or clockwise to decrease or increase the driving depth as required.
4. Drive another screw and readjust the collar (d) until the desired setting is achieved.

Depth Locator (fig. 4)

DW266

This model is supplied with two depth locators (e) to accommodate different bits, holders, sockets and adaptors.

TO CHANGE DEPTH LOCATORS

1. Pull the collar (d) assembly off the tool.
2. Hold the depth locator (e) and unscrew the collar (d).
3. Replace the depth locator (e).

To reassemble, proceed in reverse order.

Torque Adjustment Collar (fig. 1)

DW268, DW269

This model allows setting the torque for a wide range of screws.

To increase the torque, turn the torque adjustment collar (d) counterclockwise.

To decrease the torque, turn the torque adjustment collar (d) clockwise.

Drive a screw into a waste piece and check if the screw is properly fastened.

If the clutch ratchets unexpectedly (for example when a wood knot is encountered), simply increase the pressure on the tool.

Forward/Reverse Switch (fig. 5)



WARNING: Always wait until the motor has come to a complete stand still before changing the direction of rotation.

Select the forward or reverse rotation by moving the forward/reverse switch (c) in the direction indicated by the arrows.

OPERATION

Instructions for Use



WARNING: Always observe the safety instructions and applicable regulations.

Screwdriving or Nutsetting (fig. 1)

1. Select the appropriate bit for the screw (or nut) to be driven.
2. Select forward or reverse rotation as described above.

DW266: For nutsetting, always use the correct depth locator (e).

3. To run the tool, press the variable speed switch (a). The pressure exerted on the variable speed switch determines the tool speed.

NOTE: If necessary, press the lock-on button (b) for continuous operation and release the variable speed switch. The lock-on button only works in full speed, forward and reverse rotation.

To stop the tool in continuous operation, press the switch briefly and release it.



WARNING: ALWAYS turn the tool off when work is finished and before unplugging.

4. To stop the tool, release the switch.

Proper Hand Position (fig. 6)



WARNING: To reduce the risk of serious personal injury, **ALWAYS** use proper hand position as shown.



WARNING: To reduce the risk of serious personal injury, **ALWAYS** hold securely in anticipation of a sudden reaction.

For best results, hold the screwdriver with the hand directly in line with the fastener and press the variable speed switch with the last one or two fingers of the hand, as shown. This reduces the chance of the screw slipping from the drive accessory when pressure is applied.

To drive the screw, place it on the bit or into the socket, press the variable speed switch and push the screw into the workpiece with a smooth, continuous motion. When the screw is seated, a buzzing sound will come from the front of the tool to indicate that the clutch has disengaged.

MAINTENANCE

Your DEWALT power tool has been designed to operate over a long period of time with a minimum of maintenance. Continuous satisfactory operation depends upon proper tool care and regular cleaning



WARNING: To reduce the risk of injury, turn unit off and disconnect machine from power source before installing and removing accessories, before adjusting or changing set-ups or when making repairs. Be sure the trigger switch is in the OFF position. An accidental start-up can cause injury.



Lubrication

Your power tool requires no additional lubrication.



Cleaning



WARNING: Blow dirt and dust out of the main housing with dry air as often as dirt is seen collecting in and around the air vents. Wear approved eye protection and approved dust mask when performing this procedure.



WARNING: Never use solvents or other harsh chemicals for cleaning the non-metallic parts of the tool. These chemicals may weaken the materials used in these parts. Use a cloth dampened only with water and mild soap. Never let any liquid get inside the tool; never immerse any part of the tool into a liquid.

manual. Alternatively, a list of authorised DEWALT repair agents and full details of our after-sales service and contacts are available on the Internet at: www.2helpU.com.

Optional Accessories



WARNING: Since accessories, other than those offered by DEWALT, have not been tested with this product, use of such accessories with this tool could be hazardous. To reduce the risk of injury, only DEWALT recommended accessories should be used with this product.

Various types of 1/4" hex. bits, holders, sockets and adaptors are available as an option.

Consult your dealer for further information on the appropriate accessories.

Protecting the Environment



Separate collection. This product must not be disposed of with normal household waste.

Should you find one day that your DEWALT product needs replacement, or if it is of no further use to you, do not dispose of it with household waste. Make this product available for separate collection.



Separate collection of used products and packaging allows materials to be recycled and used again. Re-use of recycled materials helps prevent environmental pollution and reduces the demand for raw materials.

Local regulations may provide for separate collection of electrical products from the household, at municipal waste sites or by the retailer when you purchase a new product.

DEWALT provides a facility for the collection and recycling of DEWALT products once they have reached the end of their working life. To take advantage of this service please return your product to any authorised repair agent who will collect them on our behalf.

You can check the location of your nearest authorised repair agent by contacting your local DEWALT office at the address indicated in this

TOURNEVIS POUR CLOISON SÈCHE

DW266, DW268, DWA269

Félicitations !

Vous avez choisi un outil DEWALT. Des années d'expertise dans le développement et l'innovation de ses produits ont fait de DEWALT, le partenaire privilégié des utilisateurs professionnels d'outils électriques.

Caractéristiques techniques

		DW266	DW268	DWA269
Tension	V	220/240	220/240	220/240
		120	120	120
Puissance de sortie	W	540	540	540
Puissance à vide	min ⁻¹	0-2500	0-2500	0-1000
Porte-embout		1/4" hex	1/4" hex	1/4" hex
Méthode d'embrayage		détection de profondeur	embrayage Versa	embrayage Versa
Poids	kg	1,4	1,4	1,4

Définitions : consignes de sécurité

Les définitions ci-après décrivent le degré de risques associé à chaque balise. Lire soigneusement la notice d'instructions et respecter ces symboles.



DANGER : indique une situation de danger imminent qui, si rien n'est fait pour l'éviter, **aura** comme conséquences la **mort ou des dommages corporels graves**.



AVERTISSEMENT : indique une situation de danger potentiel qui, si rien n'est fait pour l'éviter, **pourra** avoir comme conséquences la **mort ou des dommages corporels graves**.



ATTENTION : indique une situation de danger potentiel qui, si rien n'est fait pour l'éviter, **pourrait** avoir comme conséquences des **dommages corporels mineurs ou moindres**.

AVIS : indique une pratique ne **posant aucun risque de dommages corporels**, mais qui par contre, si rien n'est fait pour l'éviter, **pourrait** poser des **risques de dommages matériels**.



Indique des risques de décharges électriques.



Indique des risques d'incendie.



AVERTISSEMENT : pour réduire tout risque de dommages corporels, lire la notice d'instructions

Consignes de sécurité générales propres aux outils électriques



AVERTISSEMENT ! lire toutes les directives et consignes de sécurité.

Tout manquement aux directives et consignes ci-inclues comporte des risques de décharges électriques, d'incendie et/ou de dommages corporels graves.

CONSERVER TOUTES CES DIRECTIVES ET CONSIGNES À TITRE DE RÉFÉRENCE

Le terme « outil électrique » mentionné dans les avertissements ci-après se rapporte aux outils alimentés sur secteur (avec fil) ou par piles (sans fil).

1) SÉCURITÉ – AIRE DE TRAVAIL

- Maintenir l'aire de travail propre et bien éclairée.** Les lieux sombres ou encombrés sont propices aux accidents.
- Ne pas utiliser un outil électrique dans un milieu déflagrant, comme en présence de liquides, gaz ou poussières inflammables.** Les outils électriques peuvent produire des étincelles qui pourraient enflammer toute émanation ou poussière ambiante.
- Maintenir à l'écart les enfants, ou toute autre personne, lors de l'utilisation d'un outil électrique.** Toute distraction pourrait faire perdre la maîtrise de l'appareil.

2) SÉCURITÉ – ÉLECTRICITÉ

- La fiche électrique de l'outil doit correspondre à la prise murale. Ne modifier la fiche en aucune façon. Ne pas utiliser de fiche d'adaptation avec un outil électrique mis à la terre (masse).** L'utilisation de fiches d'origine et de prises appropriées réduira tout risque de décharges électriques.
- Éviter tout contact corporel avec des éléments mis à la terre comme : tuyaux, radiateurs, cuisinières ou réfrigérateurs.** Les risques de décharges électriques augmentent lorsque le corps est mis à la terre.

- c) **Ne pas exposer les outils électriques à la pluie ou à l'humidité.** Tout contact d'un outil électrique avec un liquide augmente les risques de décharges électriques.
- d) **Ne pas utiliser le cordon de façon abusive. Ne jamais utiliser le cordon pour transporter, tirer ou débrancher un outil électrique. Protéger le cordon de toute source de chaleur, de l'huile, et de tout bord tranchant ou pièce mobile.** Les cordons endommagés ou emmêlés augmentent les risques de décharges électriques.
- e) **En cas d'utilisation d'un outil électrique à l'extérieur, utiliser systématiquement une rallonge conçue à cet effet.** Cela diminuera tout risque de décharges électriques.
- f) **Si on ne peut éviter d'utiliser un outil électrique en milieu humide, utiliser un circuit protégé par un dispositif de courant résiduel (RCD).** Cela réduira tout risque de décharges électriques.

3) SÉCURITÉ INDIVIDUELLE

- a) **Rester systématiquement vigilant et faire preuve de jugement lorsqu'on utilise un outil électrique. Ne pas utiliser d'outil électrique en cas de fatigue ou sous l'influence de drogues, d'alcool ou de médicaments.** Tout moment d'inattention pendant l'utilisation d'un outil électrique comporte des risques de dommages corporels graves.
- b) **Porter un équipement de protection individuel. Porter systématiquement un dispositif de protection oculaire.** Le fait de porter un masque anti-poussières, des chaussures antidérapantes, un casque de sécurité ou un dispositif de protection auditive, lorsque la situation le requiert, réduira les risques de dommages corporels.
- c) **Prévenir tout démarrage accidentel. S'assurer que l'interrupteur est en position d'arrêt avant de brancher l'outil sur le secteur et/ou à la batterie, ou de le ramasser ou le transporter.** Transporter un outil le doigt sur l'interrupteur ou brancher un outil électrique alors que l'interrupteur est en position de marche invite les accidents.
- d) **Retirer toute clé de réglage avant de démarrer l'outil.** Une clé laissée sur une pièce rotative d'un outil électrique comporte des risques de dommages corporels.
- e) **Adopter une position stable. Maintenir les pieds bien ancrés au sol et conserver son équilibre en permanence.** Cela permettra de mieux maîtriser l'outil électrique en cas de situations imprévues.
- f) **Porter des vêtements appropriés. Ne porter aucun vêtement ample ou bijou. Maintenir cheveux, vêtements et gants à l'écart des pièces mobiles, car ils pourraient s'y faire prendre.**
- g) **Lorsqu'un dispositif de connexion à un système de dépoussiérage ou d'élimination est fourni, s'assurer qu'il est branché et utilisé correctement.** L'utilisation de ces dispositifs peut réduire les risques engendrés par les poussières.

4) UTILISATION ET ENTRETIEN DES OUTILS ÉLECTRIQUES

- a) **Ne pas forcer un outil électrique. Utiliser l'outil approprié au travail en cours.** L'outil approprié effectuera un meilleur travail, de façon plus sûre et à la vitesse pour laquelle il a été conçu.
- b) **Ne pas utiliser un outil électrique dont l'interrupteur est défectueux.** Tout appareil dont l'interrupteur est défectueux est dangereux et doit être réparé.
- c) **Débrancher la fiche du secteur et/ou la batterie de l'outil électrique avant d'effectuer tout réglage, de changer tout accessoire, ou avant de le ranger.** Ces mesures préventives réduiront tout risque de démarrage accidentel de l'appareil.
- d) **Après utilisation, ranger les outils électriques hors de portée des enfants et ne permettre à aucune personne non familière avec son fonctionnement (ou sa notice d'instructions) de l'utiliser.** Les outils peuvent être dangereux entre des mains inexpérimentées.
- e) **Entretien des outils électriques. Vérifier les pièces mobiles pour s'assurer qu'elles sont bien alignées et tournent librement, qu'elles sont en bon état et ne sont affectées d'aucune condition susceptible de nuire au bon fonctionnement de l'outil. En cas de dommage, faire réparer l'outil électrique avant toute nouvelle utilisation.** De nombreux accidents sont causés par des outils mal entretenus.
- f) **Maintenir tout organe de coupe propre et bien affûté.** Les outils de coupe bien entretenus et affûtés sont moins susceptibles de se coincer et sont plus faciles à contrôler.
- g) **Utiliser un outil électrique, ses accessoires, mèches, etc., conformément aux présentes directives et suivant la manière prévue pour ce type particulier d'outil électrique, en tenant compte des conditions de travail et de la tâche à effectuer.** L'utilisation d'un outil électrique à des fins autres que celles prévues est potentiellement dangereuse.

FRANÇAIS

5) RÉPARATION

- a) **Faire entretenir les outils électriques par un réparateur qualifié en n'utilisant que des pièces de rechange identiques.** Cela permettra de préserver l'intégrité de l'outil électrique et la sécurité de l'utilisateur.

Directives de sécurité additionnelles pour les tournevis

- **Tenir l'outil par les surfaces de saisie isolées pendant toute utilisation où la fixation pourrait entrer en contact avec des fils électriques cachés ou son propre cordon (boulon).** Tout contact des fixations avec un fil sous tension peut mettre les parties métalliques exposées de l'outil sous tension et électrocuter l'utilisateur.

Risques résiduels

En dépit de l'application des normes de sécurité en vigueur et de l'installation de dispositifs de sécurité, certains risques résiduels sont inévitables. Il s'agit de :

- Diminution de l'acuité auditive.
- Risques de dommages corporels dus à des projections de particules.
- Risques de brûlures provoquées par des accessoires ayant surchauffé pendant leur fonctionnement.
- Risques de dommages corporels dus à un usage prolongé.
- Risque de se coincer les doigts lors du remplacement de l'accessoire.
- Risques pour la santé causés par la respiration de la poussière causée lors du travail dans le béton et/ou la maçonnerie.

Étiquettes sur l'appareil

On trouve les diagrammes suivants sur l'outil :



Lire la notice d'instructions avant toute utilisation.

Contenu de l'emballage

Ce carton comprend :

- 1 tournevis à poignée pistolet DW266
- ou
- 1 tournevis universel (DW268, DW269)
- 1 Coffret de transport (modèles K uniquement)
- 1 notice d'instructions
- 1 dessin éclaté

- Vérifier que l'appareil et ses pièces ou accessoires n'ont pas été endommagés lors du transport.
- Prendre le temps de lire attentivement et comprendre cette notice d'instructions avant toute utilisation de l'appareil.

Description (fig. 1)



AVERTISSEMENT : ne modifiez jamais l'outil électrique ou l'une de ses pièces. Dans le cas contraire, des dégâts ou des blessures peuvent se produire.

- Interrupteur à variateur de vitesse
- Bouton de verrouillage
- Curseur avant/arrière
- Bague de réglage de profondeur (DW266)
Bague de réglage du couple (DW268, DW269)
- Indicateur de profondeur (DW266)
Cage à billes (DW268, DW269)
- Attache pour ceinture

EMBRAYAGE DE VISSAGE À ARBRE FIXE

Ce tournevis est doté d'un arbre fixe, ce qui signifie que l'arbre ne tourne pas tant que la fixation n'est pas enfoncée dans l'ouvrage. Cela permet le positionnement des fixations sur l'accessoire de vissage d'un tournevis en marche.

USAGE PRÉVU

Votre tournevis DW266 a été conçu pour les applications professionnelles de vissage et pour être utilisé comme tournevis à douille.

Votre tournevis universel DW268/DW269 a été conçu pour les applications professionnelles de vissage.

NE PAS utiliser ces outils en milieu ambiant humide ou en présence de liquides ou de gaz inflammables.

Ces tournevis sont des outils électriques professionnels.

NE PAS le laisser à la portée des enfants. Une supervision est nécessaire auprès de tout utilisateur non expérimenté.

- Ce produit n'est pas prévu pour être utilisé par des personnes (y compris les enfants) dont les capacités physiques, sensorielles ou mentales sont réduites ou qui manquent d'expérience ou d'aptitudes, sauf si ces personnes sont surveillées par une autre personne responsable de leur sécurité. Ne jamais laisser les enfants seuls avec ce produit.

Sécurité électrique

Le moteur électrique a été conçu pour fonctionner sur une tension unique. Vérifier systématiquement que la tension du secteur correspond bien à la tension indiquée sur la plaque signalétique.



Votre outil DEWALT à double isolation est conforme à la norme EN 60745 ; un branchement à la terre n'est donc pas nécessaire.



AVERTISSEMENT : les appareils à 120 V doivent être utilisés avec des transformateurs d'isolation à l'épreuve des pannes doté d'un écran de terre entre l'enroulement primaire et secondaire.

Si le cordon fourni est endommagé, le remplacer par un cordon spécialement conçu à cet effet, et disponible auprès du service après-vente DEWALT.



Toujours utiliser la fiche prescrite lors du remplacement du câble d'alimentation.

Type 11 pour la classe II
(Isolation double) – outils

Type 12 pour la classe I
(Conducteur de terre) – outils



En cas d'utilisation à l'extérieur, connecter les outils portatifs à un disjoncteur FI.

Remplacement de la fiche d'alimentation (Moyen-Orient et Afrique)

Si une nouvelle fiche d'alimentation doit être montée :

- Mettre soigneusement au rebut l'ancienne fiche.
- Raccorder le fil marron à la borne de phase dans la fiche.
- Raccorder le fil bleu à la borne de neutre.



AVERTISSEMENT : aucun branchement ne doit être fait à la borne de terre.

Suivez les instructions de montage fournies avec des fiches de bonne qualité. Fusible recommandé : 13 A.

Utilisation d'une rallonge

Si une rallonge s'avère nécessaire, utiliser une rallonge homologuée et compatible avec la tension nominale de cet outil (se reporter à la section **Caractéristiques techniques**). La section minimale du conducteur est de 1 mm² pour une longueur maximale de 30 m.

En cas d'utilisation d'un dévidoir, dérouler systématiquement le câble sur toute sa longueur.

MONTAGE ET RÉGLAGES



AVERTISSEMENT : pour réduire tout risque de dommages corporels, arrêter l'outil et débrancher l'appareil du secteur avant d'installer ou retirer tout accessoire, avant tout réglage ou changement de configuration ou lors de réparations. S'assurer que la gâchette est bien en position d'ARRÊT. Un démarrage accidentel pourrait causer des dommages corporels.

Montage et démontage des accessoires de vissage 1/4" Hex

Votre tournevis DEWALT possède un système de vissage 1/4" hexagonal. L'accessoire de vissage est retenu dans le support par une bille et un ressort qui s'engage dans une rainure de la tige de l'accessoire.

DW268, DW269 (FIG. 1)

1. Tirez la cage à bille (e) vers l'avant et maintenez-la.
2. Introduisez l'accessoire.
3. Relâchez la cage à bille.

DW266 (FIG. 2)

1. Retirez la bague (d) en la tirant vers l'avant.
2. Sélectionner l'accessoire requis (pour les deux modèles) et faire correspondre l'indicateur de profondeur (e) en cas d'utilisation d'un tournevis à douille (DW266).
3. Pour introduire l'accessoire (g), par ex. porte-embout ou tournevis à douille, enfoncez-le dans le support (h) jusqu'à ce qu'il s'enclenche en position. Frappez légèrement dessus si nécessaire.
4. Pour retirer l'accessoire, tirez-le hors du support avec une pince.
5. Remettez la bague (d) en alignant les nervures (i) sur l'intérieur de la bague (d) avec les rainures (j) dans le logement de l'embrayage et enclenchez la bague en position.

REPLACEMENT D'UN EMBOUT (FIG. 2)

Tirez simplement l'extrémité de l'embout (k). Une pince peut être nécessaire.

Profondeur de vissage (fig. 3)

DW266

La fonction de détection de profondeur offre les avantages suivants :

- La profondeur de vissage sélectionnée peut être reproduit pour l'intégrité de la structure.
- Les vis avec des rondelles d'étanchéité sont vissées correctement de sorte qu'aucune fuite ne se produise.

RÉGLAGE DE LA PROFONDEUR DE VISSAGE

La profondeur de vissage est déterminée par la position de l'indicateur de profondeur (e) en fonction de l'embout ou de la douille. Les symboles sur la bague (d) indiquent comment régler la profondeur de vissage.

Tournez la bague (d) à droite pour augmenter la profondeur de vissage.

Tournez la bague (d) à gauche pour diminuer la profondeur de vissage.

Utilisation d'un tournevis à douille (fig. 3)

DW266

1. Pour les vis avec rondelle d'étanchéité, tournez la bague (d) jusqu'à ce que l'extrémité du tournevis soit à fleur avec l'extrémité de l'indicateur de profondeur.
 - Si nécessaire, tournez la bague jusqu'à ce que le tournevis à douille soit enfoncé d'environ 2 mm dans l'indicateur de profondeur.

REMARQUE : TOUJOURS consulter les spécifications du fabricant de la vis pour connaître les réglages corrects de la rondelle d'étanchéité dans différentes applications.

2. Vissez une vis dans une chute et contrôlez la distance entre la rondelle et le matériau.
3. Tournez la bague (d) à gauche ou à droite pour diminuer ou augmenter la profondeur de vissage selon les besoins.
4. Vissez une autre vis et réglez la bague (d) jusqu'à atteindre le réglage désiré.

Indicateur de profondeur (fig. 4)

DW266

Ce modèle est fourni avec deux indicateurs de profondeur (e) pour recevoir différents embouts, supports, douilles et adaptateurs.

POUR CHANGER LES INDICATEURS DE PROFONDEUR

1. Tirez l'ensemble de la bague (d) hors de l'outil.
2. Tenez l'indicateur de profondeur (e) et dévissez la bague (d).
3. Remontez l'indicateur de profondeur (e).

Pour le remontage, procédez en ordre inverse.

Bague de réglage du couple (fig. 1)

DW268, DW269

Ce modèle permet de régler le couple pour une grande variété de vis.

Pour augmenter le couple, tournez la bague de réglage de couple (d) à gauche.

Pour diminuer le couple, tournez la bague de réglage de couple (d) à droite.

Vissez une vis dans une chute et contrôlez que la vis est correctement fixée.

Si l'embrayage cliquette ne manière inattendue (par exemple, lorsqu'un nœud est rencontré dans le bois), augmentez simplement la pression de l'outil.

Interrupteur avant/arrière (fig. 5)



AVERTISSEMENT : attendez toujours que le moteur soit immobilisé avant de remplacer la direction de rotation.

Sélectionnez la rotation vers l'avant ou l'arrière en déplaçant l'interrupteur avant/arrière (c) dans la direction indiquée par les flèches.

UTILISATION

Consignes d'utilisation



AVERTISSEMENT : respecter systématiquement les consignes de sécurité et les normes en vigueur.

Vissage (fig. 1)

1. Sélectionnez l'embout approprié pour la vis (ou l'écrou) à visser.
2. Sélectionnez la rotation avant ou arrière comme décrit ci-dessus.

DW266 : Pour le vissage d'écrou, utilisez toujours l'indicateur de profondeur correct (e).

3. Appuyez sur l'interrupteur à variateur (a) pour mettre l'outil en marche. La pression exercée sur l'interrupteur à variateur détermine la vitesse de l'outil.

REMARQUE : Si nécessaire, appuyez sur le bouton de verrouillage (b) pour activer le fonctionnement en continu et relâchez l'interrupteur à variateur de vitesse. Le bouton de verrouillage fonctionne uniquement à pleine vitesse, en rotation vers l'avant et l'arrière.

Pour arrêter l'outil en fonctionnement continu, appuyer brièvement sur l'interrupteur et le relâcher immédiatement.



AVERTISSEMENT : TOUJOURS mettre l'outil à l'arrêt après le travail et avant de débrancher l'outil.

4. Pour arrêter l'outil, relâchez l'interrupteur.

Position correcte des mains (fig. 6)



AVERTISSEMENT : pour réduire tout risque de dommages corporels graves, adopter **SYSTÉMATIQUEMENT** la position des mains illustrée.



AVERTISSEMENT : pour réduire tout risque de dommages corporels graves, maintenir fermement et **SYSTÉMATIQUEMENT** l'outil pour anticiper toute réaction soudaine de sa part.

Pour de meilleurs résultats, tenez le tournevis avec la main directement alignée avec la fixation et appuyez sur l'interrupteur à variateur de vitesse avec le dernier ou les deux derniers doigts, comme illustré. Cela réduit les probabilités que la vis ne glisse de l'accessoire lorsque la pression est appliquée.

Pour visser la vis, placez-la sur l'embout ou dans la douille, appuyez sur l'interrupteur à variateur de vitesse et poussez la vis dans l'ouvrage selon un mouvement homogène et continu. Lorsque la vis est en position, l'outil émet un signal sonore pour indiquer que l'embrayage a été désengagé.

MAINTENANCE

Cet outil DEWALT a été conçu pour fonctionner longtemps avec un minimum de maintenance. Le fonctionnement continu et satisfaisant de l'outil dépend d'un entretien adéquat et d'un nettoyage régulier.



AVERTISSEMENT : pour réduire tout risque de dommages corporels, **arrêter l'outil et débrancher l'appareil du secteur avant d'installer ou retirer tout accessoire, avant tout réglage ou changement de configuration ou lors de réparations.** S'assurer que la gâchette est bien en position d'ARRÊT. Un démarrage accidentel pourrait causer des dommages corporels.



Lubrification

Votre outil électrique ne requiert aucune lubrification additionnelle.



Entretien



AVERTISSEMENT : éliminer poussière et saleté du boîtier principal à l'aide d'air comprimé chaque fois que les orifices d'aération semblent s'encrasser. Porter systématiquement des lunettes de protection et un masque anti-poussières homologués au cours de cette procédure.



AVERTISSEMENT : ne jamais utiliser de solvants ou tout autre produit chimique décapant pour nettoyer les parties non métalliques de l'outil. Ces produits chimiques pourraient en attaquer les matériaux utilisés. Utiliser un chiffon humidifié avec de l'eau et un savon doux. Protéger l'outil de tout liquide et n'immerger aucune de ses pièces dans aucun liquide.

Accessoires en option



AVERTISSEMENT : comme les accessoires autres que ceux offerts par DEWALT n'ont pas été testés avec ce produit, leur utilisation avec cet appareil pourrait être dangereuse. Pour réduire tout risque de dommages corporels, seuls des accessoires DEWALT recommandés doivent être utilisés avec cet appareil.

Différents types d'embouts, supports et adaptateurs 1/4" sont disponibles en option.

Veuillez consulter votre revendeur pour plus d'informations sur les accessoires appropriés.

Protection de l'environnement



Collecte sélective. Ne pas jeter ce produit avec les ordures ménagères.

En fin de durée de vie ou d'utilité de votre produit DEWALT, ne pas le jeter avec les ordures ménagères, mais dans les conteneurs de collecte sélective.

FRANÇAIS



La collecte sélective des produits et emballages usagés permet de recycler et réutiliser leurs matériaux. La réutilisation de matériaux recyclés aide à protéger l'environnement contre la pollution et à réduire la demande en matière première.

Selon les réglementations locales, il peut être offert : service de collecte sélective individuel des produits électriques, ou déchetterie municipale ou collecte sur les lieux d'achat des produits neufs.

DEWALT dispose d'installations pour la collecte et le recyclage des produits DEWALT en fin de vie. Pour profiter de ce service, veuillez rapporter votre produit auprès d'un centre de réparation agréé qui le recyclera en notre nom.

Pour connaître l'adresse d'un centre de réparation agréé près de chez vous, veuillez contacter votre distributeur DEWALT local à l'adresse indiquée dans cette notice d'instructions, ou consulter la liste des centres de réparation agréés DEWALT, l'éventail de notre SAV et tout renseignement complémentaire sur Internet à l'adresse : **www.2helpU.com**.

Afghanistan	Ariana Hafiz Zabi Co. Ltd. Dahan Bagh Squire Karte Ariana, Kabul, Afghanistan	info@arianahafiz.com	Tel: 93-0-799331079 Fax: 93-0-700007576 / 93-0-799331079
Algeria	Sarl Outillage Corporation 08, Rue Med Boudiaf (ex TELLA Achen) Cheraga, Alger	hakim.merdjadi@outillage-dz.com lyes@outillage-dz.com Mali.faiza@outillage-dz.com; sidahmed@outillage-dz.com	Tel: 213-0-21375130 213-0-21375131 Fax: 213-0-21369667
Angola	Angoferraria, Lda. Rua Robert Shields, nº 61, Luanda, Angola	angoferraria@gmail.com sequiera.angoferraria@gmail.com	Tel: 244-222-395837 / 244-222-395034 Fax: 244-222-394790
Azerbaijan	Royalton Holdings Ltd. 41 Khagani St. Apt. 47 AZ1001 Baku- Azerbaijan	jai@royaltonholdings.com office@royaltonholdings.com	Tel: 994-12-4935544 Fax: 994-12-5980378
Egypt	ElFarab S.A.E. 15-Nabil El Wakkad Street, Dokki, Giza, Egypt	elfarab@elfarab.com adel.ezzat@elfarab.com mahmoud.elhosseiny@elfarab.com	Tel: 202-37603946 Fax: 202-33352796
Ethiopia	Seif Tewfik Sherif Arada Sub City, Kebele 01/02, Global Insurance Bldg., 2nd Flr., Room 43, P.O. Box 2525, Addis Ababa	seif@ethionet.et nawanag@ethionet.et	Tel: 251-11-1563968 251-11-1563969 Fax: 251-11-1558009
Iraq	Al-Sard Co. for General Trading Ltd Jbara Bldg. 3Flr. Al Rasheed St., Baghdad, Iraq	dewalt.service@yahoo.com	Tel: 964-18184102
Jordan	Amman West Stores-Bashiti 210 Garden St. Tla'a Ali, P.O. Box 1564 Tla Ali Amman 11953, Jordan	ali@bashitstores.com yousef@bashitstores.com	Tel: 962-6-5350009 Fax: 962-6-5350012
Kenya	Dextron Tools Ltd. P.O. Box 20121-00200, Shariff House, Kimathi Street, Nairobi	info@alibhaishariff.co.ke dextron@alibhaishariff.co.ke	Tel: 254-20-6905000 254-20-2358021 Fax: 254-20-6905111 / 254-20-6905112
Lebanon	Est. Shaya & Azar S.A.R.L. Boulevard Jdeideh - Mar Takla - Bouchrieh . P.O. Box 90545, Jdeideh. Beirut - Lebanon	shayazar@dm.net.lb	Tel: 961 1 872305 961 1 872306 Fax: 961 1 872303
Libya	North Africa Trading (El Ghoul Brothers) P.O. Box 348, 7 October Street 11 Benghazi	maryam_farooq2003@yahoo.com nagte@eim.ae dewalt_libya@yahoo.com	Tel: 218-061-3383994 Fax: 218-092-7640688
	North Africa Trading (El Ghoul Brothers) AlBarniq DeWALT Center, Mokhazin-elsukar St. ElFallah, Tripoli	dewalt_libya@yahoo.com	Tel: 218-021-3606430 Fax: 218-092-6514813
	North Africa Trading (El Ghoul Brothers) AlHilal Service Center Tawergha St., Misurata		Tel: 218-091-3221408
Mauritius	Robert Le Marie Limited Old Moka Road, Bell Village, P.O. Box 161, Port Louis	a.blackburn.rm@rmgroup.mu jm.pierrelouis.rm@rmgroup.mu	Tel: 230-212 1865 230-212 2847 Fax: 230-2080843
Morocco	Ets Louis Guillaud & Cie 31, Rue Pierre Parent, Casablanca - 21000	boumadiane.azedine@elg.ma doukkail.marouane@elg.ma	Tel: 522-301446 / 305971 / 317815 / 315576 Fax: 522-444518 / 317888
Nigeria	Meridian Power Tools Ltd. Gr. Floor, #1 Alhaji Masha Rd, Next to Teslim Balogun Stadium, Near National Stadium Surulere, Lagos, Nigeria	braj@meridian-nigeria.com	Tel: 234-1-7740431 234-1-7740410 Fax: 234-1-7913798
Pakistan	Northern Toolings (Pvt) Ltd.-Lahore 86- Railway Road, Lahore - 7 Pakistan	zhayee@northern.pk import@northern.pk sales@northern.pk	Tel: 92-423-7651220 92-423-7641675 Fax: 92-423-7641674
	Northern Toolings (Pvt) Ltd.-Karachi 224-231 Industrial Town Plaza, Shahrah-e-Liaqat, Karachi, Pakistan	karachibr@northern.pk	Tel: 92-213-2465305 92-213-2465307 Fax: 92-213-2465301
	Northern Toolings (Pvt) Ltd.-Taxila Al-Rehman Plaza, Opposite Tehsil Court, Faisal Shaheed Road, Taxila	taxilabr@northern.pk	Tel: 92-51-4545811 Fax: 92-51-4544194
South Africa	Benray Tool Wholesalers C.C. 91 Turfontein Road, Stafford, Johannesburg, 2001 P.O. Box 260037 EXCOM 2023, South Africa	dewaltservice@benray.co.za zain@benray.co.za shafiq@benray.co.za	Tel: 27-11-6838350 Fax: 27-11-6837456
Tanzania	General Motors Investment Ltd. 14 Vingunguti-Nyerere Road, P.O.Box 16541, Dar es Salaam, Tanzania	ezra@gmi-tz.com info@gmi-tz.com chiwelesa@yahoo.com	Tel: 255-22-2865022 / 2862661 / 2862671 / 2862659 Fax: 255-22-2862667
Tunisia	Ets. Mohamed Ghorbel 03 Rue 8603 Chargaia I Tunis. Postal Code 2035	slim.ghorbel@gnet.tn moh.ghorbel@gnet.tn mourad.ghorbel@gnet.tn	Tel: 216-71794248 216-71793848 Fax: 216-71770759
Uganda	The Building Center (u) Ltd. 52 Station Road, Kitgum House, P.O. Box 7436 Kampala, Uganda	tbc@africaonline.co.ug chris@tbcu.co.ug	Tel: 256-041-4234567 256-041-4259754 Fax: 256-041-4236413
Yemen	Middle East Trading Co. (METCO) 5th Flr.Hayel Saeed Anam Bldg. Al-Mugamma St. Taiz, Yemen	tamer.metco@gmail.com tamer@metcotrading.com metco@metcotrading.com sami@metcotrading.com	Tel: 967-4-213455 Fax: 967-4-219869
	Middle East Trading Co. (METCO) Mualla Dakka, Aden	tamer.metco@gmail.com tamer@metcotrading.com metco@metcotrading.com	Tel: 967-2-222670 Fax: 967-2-222670
	Middle East Trading Co. (METCO) Hayel st., Sana'a, Yemen	tamer.metco@gmail.com tamer@metcotrading.com metco@metcotrading.com	Tel: 967-1-204201 Fax: 967-1-204204

UAE	Black & Decker (Overseas) GmbH P.O. Box 5420, Dubai	service.mea@blackdecker.com	Tel: 971-4 8127400 / 8127406 Fax: 971-4 2822765	
	Ideal Star Workshop Eqpt. Trading LLC P.O. Box 37116, Al Quoz, Dubai	idealeq@emirates.net.ae	Tel: 971-4 3474160 Fax: 971-4 3474157	
	Alebrah Engineering Service P.O. Box 78954, Al Qusais, Dubai	alebrah@eim.ae	Tel: 971-4 2850044 Fax: 971-4 2844802	
	Burj Al Madeena Industrial Area No. 1, opp. Pakistani Masjid P.O. Box 37635, Sharjah	dewaltuae@hotmail.com	Tel: 971-6 5337747 Fax: 971-6 5337719	
	McCoy Middle East LLC P.O. Box 25793, Sharjah	mccoy@emirates.net.ae	Tel: 971-6 5395931 Fax: 971-6 5395932	
	McCoy Middle East LLC P.O. Box 10584, Ras Al Khaimah	mccoysrak@gmail.com	Tel: 971-7 2277095 Fax: 971-7 2277096	
	Al Sukoon Gen. Trdg. Co. LLC P.O. Box 2975, Ajman	sukoon@eim.ae	Tel: 971-6 7435725 / 7438317 Fax: 971-6 7437350	
	Zillion Equipment and Spare Parts Trading LLC P.O. Box 19740, opp. Bin Sadal / Trimix Redymix Sanaiya, Al Ain	zilliontrdg@gmail.com	Tel: 971-3 7216690 Fax: 971-3 7216103	
	Light House Electrical, Abu Dhabi Branch P.O. Box 120, Abu Dhabi	dewalt_lhe@hotmail.com	Tel: 971-2 6726131 Fax: 971-2 6720667	
	Light House Electrical, Musaffah Branch P.O. Box 120, Abu Dhabi	dewalt_lhe@hotmail.com	Tel: 971-2 5548315 Fax: 971-2 5540461	
	Bahrain	Alfouz Services Co. WLL P.O. Box 26562, Tubli, Manama	alfouz@batelco.com.bh	Tel: 973 17783562 / 17879987 Fax: 973 17783479
		Kavalani & Sons W.L.L. P.O. Box 71, Sitra, Manama	info@kavalani.com pradeep@kavalani.com	Tel: 973 17732888 Fax: 973 17737379
		Kuwait	Al Omar Technical Co. P.O. Box 4062, Safat 13041, Kuwait	alexotc@usa.net
	Fawaz Al Zayani Establishment P.O. Box 42426, Shop No.18, Al Hurnaizi Commercial Complex, Khalifa Al Jassim, Shuwaikh		dewaltkuwait@hotmail.com	Tel: 965 24828710 Fax: 965 24828716
Fawaz Al Zayani Establishment Fahaheel Industrial Area, Main St., Sanaya	dewaltkuwait@hotmail.com		Tel: 965 23925830 Fax: 965 24828716	
Oman	Al Jizzi Company LLC P.O. Box 1704, P.C. 112, Ruwi	aljizied@omantel.net.om jizzi10@omantel.net.om	Tel: 968 24832618 / 24835153 Fax: 968 24831334 / 24836460	
	Al Hassan Technical & Construction Supplies Co. LLC P.O. Box 1948, P.C. 112, Ruwi	hamriya.sr@al-hassan.com abrar.h@al-hassan.com	Tel: 968 24810575 / 24837054 Fax: 968 24810287 / 24833080	
	Oman Hardware Co. LLC P.O. Box 635, Ruwi Postal Code 112	omanhard@omantel.net.om	Tel: 968 24815131 Fax: 968 24816491	
	Khimji Ramdas P.O. Box 19, Post Code 100, Ghala, Muscat	bilal.m@khimjiramdas.com	Tel: 968 24595906/ 907 Fax: 968 24852752	
	Qatar	Teyseer Industrial Supplies & Services Co. WLL 55, Al Wakalat St. (Between St. 18 & 19) Salwa Industrial Area, P.O. Box 40523 Doha	manish@tissco-qatar.com tool.service@tissco-qatar.com	Tel: 974 4581536 Fax: 974 4682024
Shaheen Electrical Works & Trading Co. WLL Gate 34, St. 44 Industrial Area P.O. Box 9756, Doha		shaheenelc@gmail.com	Tel: 974 460 02 30 / 460 05 25 Fax: 974 460 13 38	
KSA		Industrial Material Organization (IMO) P.O. Box 623, Rail Street, Riyadh	service@imo.com.sa	Tel: 966-1 4028010 Ext. 26 Tel: 966-1 8001245757 Fax: 966-1 4037970
	Fawaz Ebrahim Al Zayani Trading Est. P.O. Box 76026, Al Raka : 31952	dewaltdammam@hotmail.com	Tel: 966-3 8140914 Fax: 966-3 8140824	
	MSS (Al-Mojil Supply & Services) P.O. Box 450, Jubail 31951	mssjubail@almojiservices.com alex.chang@almojiservices.com	Tel: 966-3 3612850 / 3624487 Tel: 966-3 3621729 Fax: 966-3 3623589 / 3620783	
	Opp-Gulf Bridge Library & Riyadh House			
	EAC (Al Yousef Contg. & Trdg. Est.) P.O. Box 30377, Jeddah -21477	golamkibria77@yahoo.com	Tel: 966-2 6519912 Fax: 966-2 6511153	
	Mohamed Ahmed Bin Aff Est. P.O. Box 530, Yanbu, Al Bahr	binaffyanbu@hotmail.com	Tel: 966-4 3222626 / 3228867 Fax: 966-4 3222210	
	Garziz Trading for Bldg Mat & Decoration P.O. Box 3364, Madina	agarziz@yahoo.com	Tel: 966-4 826 14 90 / 822 76 36 Fax: 966-4 826 57 41	
	Sultan Garment Factory (RSC) P.O. Box 29912, Riyadh 11467	rscservice@digl.net.sa	Tel: 966-1 4055148 / 4042889 Fax: 966-1 4055148	
	Al Bawardi Tools & Hardware P.O. Box 112, Dammam 31411	asattar@albawardi.com nibanez@albawardi.com	Tel: 966-3 8330780 Ext. 24 Tel: 966-3 8348585 Ext. 24 Fax: 966-3 8336303	
	Al Bawardi Tools & Hardware P.O. Box 68, Riyadh 11411	rbaltao@albawardi.com asamad@albawardi.com	Tel: 966-1 4484999 Fax: 966-3 4487877	
	Al Bawardi Tools & Hardware P.O. Box 16905, Jeddah 21474	sharadji@albawardi.com fgaber@albawardi.com	Tel: 966-2 6444547 / 6439035 Tel: 966-2 6456095 Fax: 966-2 6439024	