

DEWALT®

www.DEWALT.com

D25966

Fig. A

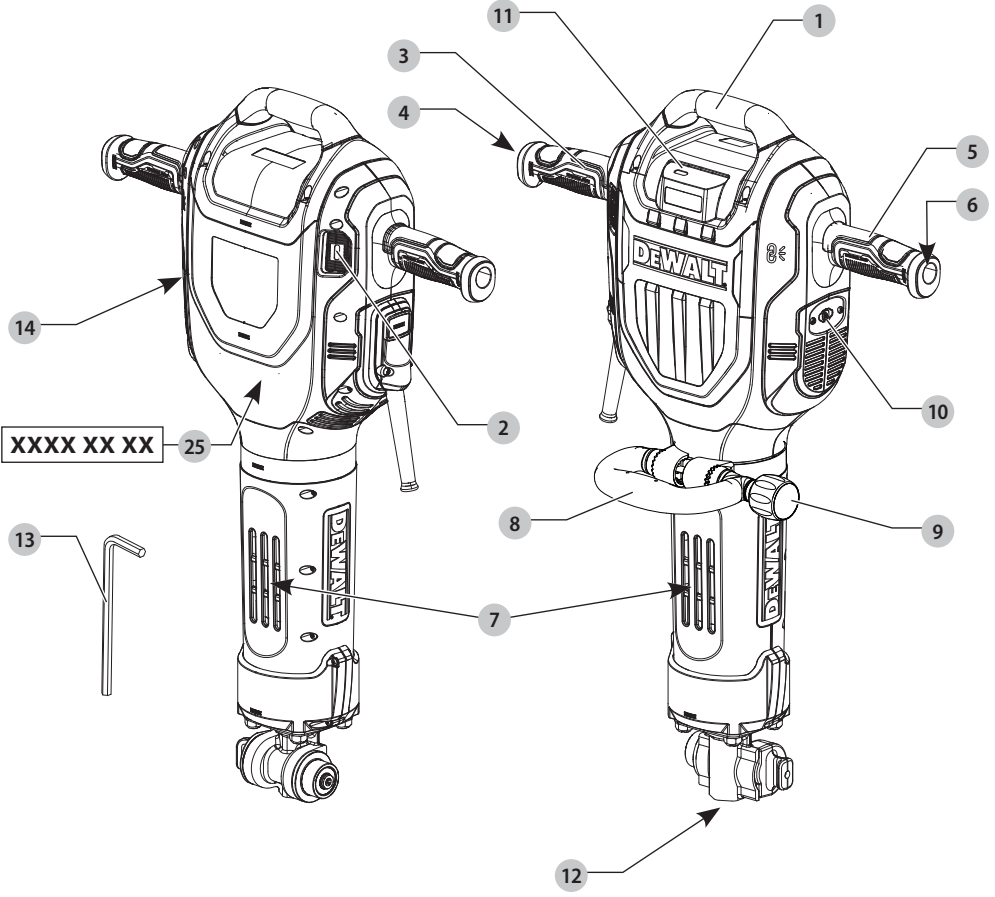


Fig. B

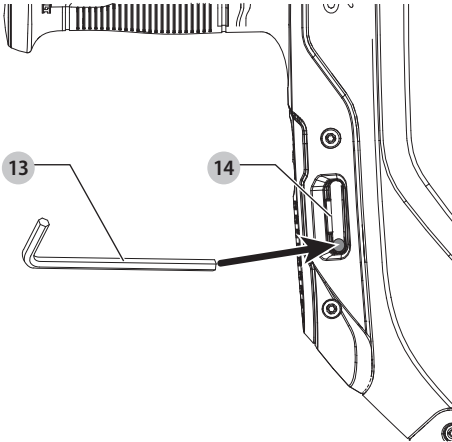


Fig. C

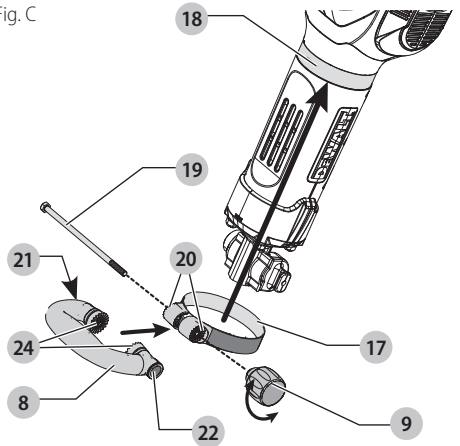


Fig. D

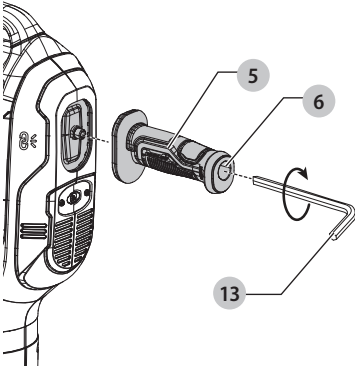


Fig. E

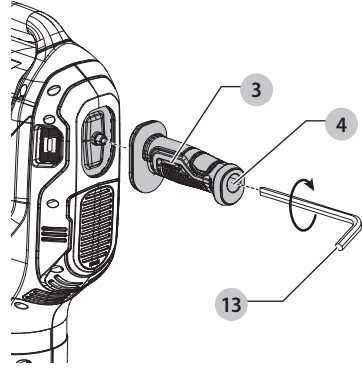


Fig. F

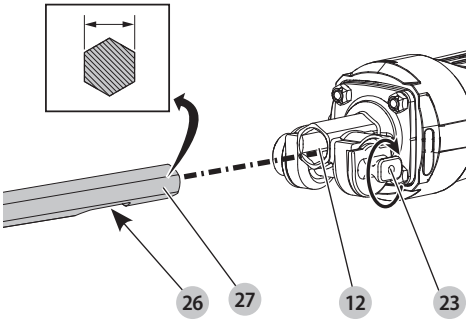


Fig. G

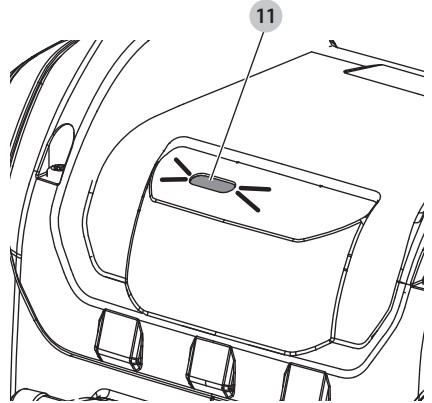


Fig. H

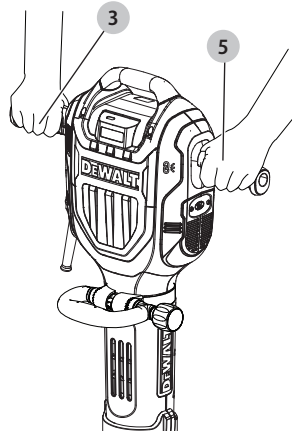
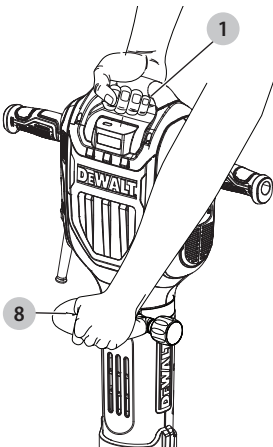


Fig. I

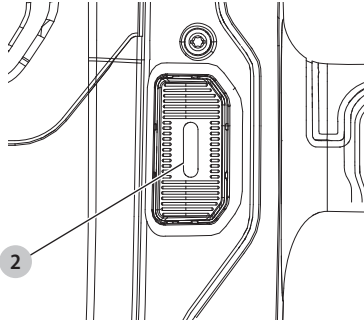


Fig. J

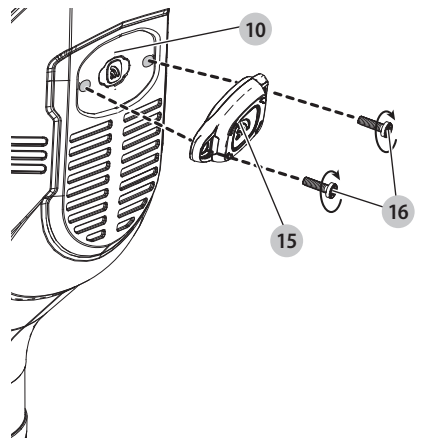
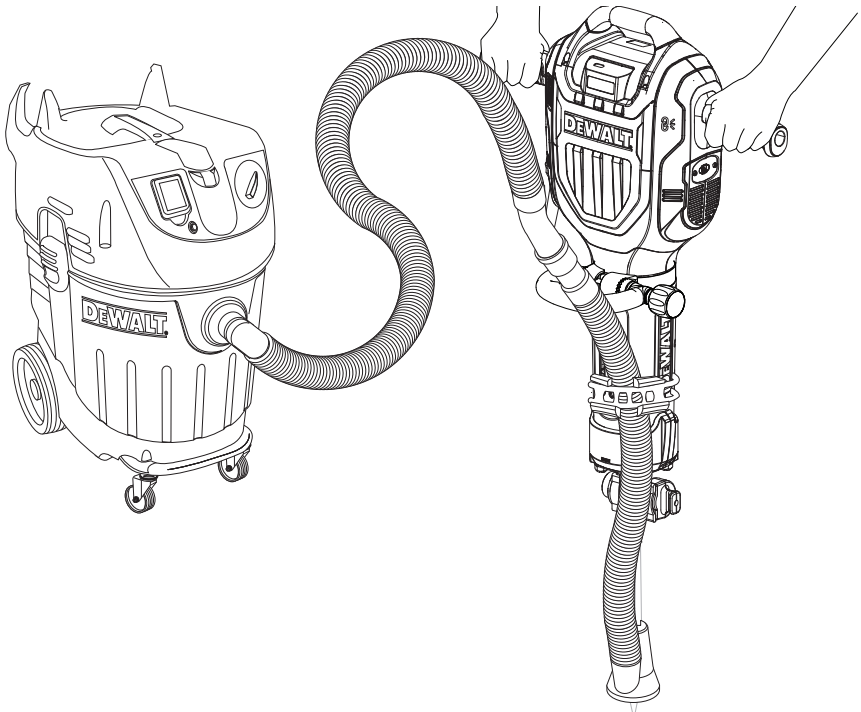


Fig. K



BREAKER

D25966

Congratulations!

You have chosen a DEWALT tool. Years of experience, thorough product development and innovation make DEWALT one of the most reliable partners for professional power tool users.

Technical Data

		D25966
Voltage	V _{AC}	230
Type		1
Frequency	Hz	50
Power input (230V)	W	1800
No-Load beats per minute	BPM	1080
Single impact energy (EPTA 05/2009)	J	41
Tool holder		28mm Hex
Chisel positions		1
Wireless Tool Control Transmitter		
Frequency Band	MHz	433
Max. Power (EIRP)	mW	0.03
Weight	kg	18.8
Noise values and vibration values (tri-ax vector sum) according to EN62841:		
Measured A – weighted sound pressure at the operator's level L _{PA} (re 1 pW), in Decibel		94
Measured A – weighted sound power level L _{WA} (re 1 pW), in Decibel		102
Uncertainty K _{WA} / K _{PA} , in Decibel		3.9
Chiselling		
Vibration emission value a _{h, Cheq} =	m/s ²	6.8
Uncertainty K =	m/s ²	1.5

The vibration and/or noise emission level given in this information sheet has been measured in accordance with a standardised test given in EN62841 and may be used to compare one tool with another. It may be used for a preliminary assessment of exposure.



WARNING: *The declared vibration and/or noise emission level represents the main applications of the tool. However, if the tool is used for different applications, with different accessories or is poorly maintained, the vibration and/or noise emission may differ. This may significantly increase the exposure level over the total working period.*

An estimation of the level of exposure to vibration and/or noise should also take into account the times when the tool is switched off or when it is running but not actually doing the job. This may significantly reduce the exposure level over the total working period.

Identify additional safety measures to protect the operator from the effects of vibration and/or noise such as: maintain the tool and the accessories, keep the hands warm (relevant for vibration), organisation of work patterns.

EC-Declaration of Conformity

Machinery Directive and Radio Equipment Directive



D25966 Breaker

DEWALT declares that these products described under **Technical Data** are in compliance with: 2006/42/EC, EN62841-1:2015 +A11:2022, EN IEC62841-2-6:2020 +A11:2020.

These products also comply with Directive 2014/53/EU and 2011/65/EU. For more information, please contact DEWALT at the following address or refer to the back of the manual.

2000/14/EC, Electrical concrete breaker (hand-held), m > 15 kg, Annex VIII, TÜV Rheinland LGA Products GmbH (0197), D-90431 Nürnberg, Germany, Notified Body ID No.: 0197

Level of sound power according to 2000/14/EC (Article 12, Annex III, No. 10; m > 15 kg):

L _{WA} (measured sound power level)	103 dB
L _{WA} (guaranteed sound power level)	105 dB

Markus Rompel
Vice President of Engineering, PTE-Europe
DEWALT, Richard-Klinger-Strasse 11,
65510, Idstein, Germany
21.04.2023

DECLARATION OF CONFORMITY THE SUPPLY OF MACHINERY (SAFETY) REGULATIONS 2008 AND THE RADIO EQUIPMENT REGULATION 2017



D25966 Breaker

DEWALT declares that these products described under **Technical Data** are in compliance with:

The Supply of Machinery (Safety) Regulations, 2008, S.I. 2008/1597 (as amended), EN62841-1:2015 +A11:2022, EN IEC62841-2-6:2020 +A11:2020.

These products conform to the following UK Regulations:

Radio Equipment Regulation, 2017, S.I.2017/1206 (as amended).

The Restriction of the Use of Certain Hazardous Substances in Electrical and Electronic Equipment Regulations 2012, S.I. 2012/3032 (as amended).

The Noise Emission in the Environment by Equipment for use Outdoors Regulations 2001, S.I. 2001/1701 (as amended). Electrical concrete breaker (hand-held), m > 15 kg, Schedule 11, TÜV Rheinland LGA Products GmbH Tillystraße 2, 90431 Nürnberg, Germany, Notified Body ID No.: 0197

L _{WA} (measured sound power level)	103 dB
L _{WA} (guaranteed sound power level)	105 dB

For more information, please contact DEWALT at the following address or refer to the back of the manual.

The undersigned is responsible for compilation of the technical file and makes this declaration on behalf of DEWALT.



Karl Evans
Vice President Professional Power Tools EANZ GTS
Meadowfield Avenue,
Spennymoor, DL16 6YJ,
England
21.04.2023



WARNING: To reduce the risk of injury, read the instruction manual.

Definitions: Safety Guidelines

The definitions below describe the level of severity for each signal word. Please read the manual and pay attention to these symbols.



DANGER: Indicates an imminently hazardous situation which, if not avoided, **will** result in **death or serious injury**.



WARNING: Indicates a potentially hazardous situation which, if not avoided, **could** result in **death or serious injury**.



CAUTION: Indicates a potentially hazardous situation which, if not avoided, **may** result in **minor or moderate injury**.

NOTICE: Indicates a practice **not related to personal injury** which, if not avoided, **may** result in **property damage**.



Denotes risk of electric shock.



Denotes risk of fire.

GENERAL POWER TOOL SAFETY WARNINGS



WARNING: Read all safety warnings, instructions, illustrations and specifications provided with this power tool. Failure to follow all instructions listed below may result in electric shock, fire and/or serious injury.

SAVE ALL WARNINGS AND INSTRUCTIONS FOR FUTURE REFERENCE

The term "power tool" in the warnings refers to your mains-operated (corded) power tool or battery-operated (cordless) power tool.

1) Work Area Safety

- Keep work area clean and well lit.** Cluttered or dark areas invite accidents.
- Do not operate power tools in explosive atmospheres, such as in the presence of flammable liquids, gases or dust.** Power tools create sparks which may ignite the dust or fumes.

- Keep children and bystanders away while operating a power tool.** Distractions can cause you to lose control.

2) Electrical Safety

- Power tool plugs must match the outlet. Never modify the plug in any way. Do not use any adapter plugs with earthed (grounded) power tools.** Unmodified plugs and matching outlets will reduce risk of electric shock.
- Avoid body contact with earthed or grounded surfaces, such as pipes, radiators, ranges and refrigerators.** There is an increased risk of electric shock if your body is earthed or grounded.
- Do not expose power tools to rain or wet conditions.** Water entering a power tool will increase the risk of electric shock.
- Do not abuse the cord. Never use the cord for carrying, pulling or unplugging the power tool. Keep cord away from heat, oil, sharp edges or moving parts.** Damaged or entangled cords increase the risk of electric shock.
- When operating a power tool outdoors, use an extension cord suitable for outdoor use.** Use of a cord suitable for outdoor use reduces the risk of electric shock.
- If operating a power tool in a damp location is unavoidable, use a residual current device (RCD) protected supply.** Use of an RCD reduces the risk of electric shock.

3) Personal Safety

- Stay alert, watch what you are doing and use common sense when operating a power tool. Do not use a power tool while you are tired or under the influence of drugs, alcohol or medication.** A moment of inattention while operating power tools may result in serious personal injury.
- Use personal protective equipment. Always wear eye protection.** Protective equipment such as a dust mask, non-skid safety shoes, hard hat or hearing protection used for appropriate conditions will reduce personal injuries.
- Prevent unintentional starting. Ensure the switch is in the off position before connecting to power source and/or battery pack, picking up or carrying the tool.** Carrying power tools with your finger on the switch or energising power tools that have the switch on invites accidents.
- Remove any adjusting key or wrench before turning the power tool on.** A wrench or a key left attached to a rotating part of the power tool may result in personal injury.
- Do not overreach. Keep proper footing and balance at all times.** This enables better control of the power tool in unexpected situations.
- Dress properly. Do not wear loose clothing or jewellery. Keep your hair and clothing away from moving parts.** Loose clothes, jewellery or long hair can be caught in moving parts.

- g) **If devices are provided for the connection of dust extraction and collection facilities, ensure these are connected and properly used.** Use of dust collection can reduce dust-related hazards.
- h) **Do not let familiarity gained from frequent use of tools allow you to become complacent and ignore tool safety principles.** A careless action can cause severe injury within a fraction of a second.

4) Power Tool Use and Care

- a) **Do not force the power tool. Use the correct power tool for your application.** The correct power tool will do the job better and safer at the rate for which it was designed.
- b) **Do not use the power tool if the switch does not turn it on and off.** Any power tool that cannot be controlled with the switch is dangerous and must be repaired.
- c) **Disconnect the plug from the power source and/or remove the battery pack, if detachable, from the power tool before making any adjustments, changing accessories, or storing power tools.** Such preventive safety measures reduce the risk of starting the power tool accidentally.
- d) **Store idle power tools out of the reach of children and do not allow persons unfamiliar with the power tool or these instructions to operate the power tool.** Power tools are dangerous in the hands of untrained users.
- e) **Maintain power tools and accessories. Check for misalignment or binding of moving parts, breakage of parts and any other condition that may affect the power tool's operation. If damaged, have the power tool repaired before use.** Many accidents are caused by poorly maintained power tools.
- f) **Keep cutting tools sharp and clean.** Properly maintained cutting tools with sharp cutting edges are less likely to bind and are easier to control.
- g) **Use the power tool, accessories and tool bits, etc. in accordance with these instructions, taking into account the working conditions and the work to be performed.** Use of the power tool for operations different from those intended could result in a hazardous situation.
- h) **Keep handles and grasping surfaces dry, clean and free from oil and grease.** Slippery handles and grasping surfaces do not allow for safe handling and control of the tool in unexpected situations.

5) Service

- a) **Have your power tool serviced by a qualified repair person using only identical replacement parts.** This will ensure that the safety of the power tool is maintained.

Additional Safety Instructions for Breakers

- **Wear ear protectors.** Exposure to noise can cause hearing loss.
- **Use auxiliary handles supplied with the tool.** Loss of control can cause personal injury.
- **Hold power tool by insulated gripping surfaces when performing an operation where the cutting accessory**

may contact hidden wiring or its own cord. Cutting accessory contacting a "live" wire may make exposed metal parts of the power tool "live" and could give the operator an electric shock.

- **Be certain that the material being operated on does not conceal electric or gas service and that their locations have been verified with the utility companies.**
- **Keep a firm grip on the tool at all times.** Do not attempt to operate this tool without holding it with both hands. Operating this tool with one hand will result in loss of control. Breaking through or encountering hard materials such as re-bar may be hazardous as well. Tighten the side handle securely before use.
- **Do not recondition accessories yourself.** Chisel reconditioning should be done by a qualified specialist. Improperly reconditioned accessories could cause injury.
- **Wear gloves when operating tool or changing bits.** Accessible metal parts on the tool and bits may get extremely hot during operation. Small bits of broken material may damage bare hands.
- **Never lay the tool down until the bit has come to a complete stop.** Moving bits could cause injury.
- **Do not strike jammed bits with a hammer to dislodge them.** Fragments of metal or material chips could dislodge and cause injury.
- **Ensure the chisel is secured in place before operating the tool.**
- **In cold-weather conditions or when the tool has not been used for a longer period of time, let the tool run with no load for several minutes before use.**
- **When working above ground level ensure the area below is clear.**
- **Do not touch the chisel or the parts close to the chisel immediately after operation, as they may be extremely hot and cause burns to the skin.**
- **Always direct the power cable to the rear, away from the chisel.**
- **Do not operate this tool for long periods of time.** Vibration caused by hammer action may be harmful to your hands and arms. Use gloves to provide extra cushion and limit exposure by taking frequent rest periods.

Residual Risks



WARNING: We recommend the use of a residual current device with a residual current rating of 30mA or less.

In spite of the application of the relevant safety regulations and the implementation of safety devices, certain residual risks cannot be avoided. These are:

- Impairment of hearing.
- Risk of personal injury due to flying particles.
- Risk of burns due to accessories becoming hot during operation.
- Risk of personal injury due to prolonged use.

SAVE THESE INSTRUCTIONS

Electrical Safety

The electric motor has been designed for one voltage only. Always check that the power supply corresponds to the voltage on the rating plate.



Your DEWALT tool is double insulated in accordance with EN62841; therefore no earth wire is required.

If the supply cord is damaged, it must be replaced only by DEWALT or an authorised service organisation.

Mains Plug Replacement (U.K. & Ireland Only)

If a new mains plug needs to be fitted:

- Safely dispose of the old plug.
- Connect the brown lead to the live terminal in the plug.
- Connect the blue lead to the neutral terminal.



WARNING: No connection is to be made to the earth terminal.

Follow the fitting instructions supplied with good quality plugs. Recommended fuse: 13 A.

Using an Extension Cable

If an extension cable is required, use an approved 3-core extension cable suitable for the power input of this tool (refer to **Technical Data**). The minimum conductor size is 1.5 mm²; the maximum length is 30 m.

When using a cable reel, always unwind the cable completely.

Package Contents

The package contains:

- 1 Breaker
- 1 Auxiliary handle
- 1 Chisel
- 1 5mm hex wrench
- 1 Instruction manual
- Check for damage to the tool, parts or accessories which may have occurred during transport.
- Take the time to thoroughly read and understand this manual prior to operation.

Markings on Tool

The following pictograms are shown on the tool:



Read instruction manual before use.



Wear ear protection.



Wear eye protection.

Date Code Position (Fig. A)

The production date code **25** consists of a 4-digit year followed by a 2-digit week and is extended by a 2-digit factory code.

Description (Fig. A)



WARNING: Never modify the power tool or any part of it. Damage or personal injury could result.

- 1 Top handle
- 2 On/off switch
- 3 Right side handle
- 4 Right handle screw
- 5 Left side handle
- 6 Left handle screw
- 7 Air vents
- 8 Bail/loop style auxiliary handle
- 9 Handle knob
- 10 Tool Connect™ mount
- 11 Yellow service indicator LED
- 12 28mm hex tool holder
- 13 5mm hex wrench
- 14 Hex wrench retainer

Intended Use

Your D25966 is designed for professional demolition, chipping and trenching applications in concrete, brick, stone and other masonry materials.

DO NOT use under wet conditions or in presence of flammable liquids or gases.

Your D25966 is a professional power tool.

DO NOT let children come into contact with the tool. Supervision is required when inexperienced operators use this tool.

- **Young children and the infirm.** This appliance is not intended for use by young children or infirm persons without supervision.
- This product is not intended for use by persons (including children) suffering from diminished physical, sensory or mental abilities; lack of experience, knowledge or skills unless they are supervised by a person responsible for their safety. Children should never be left alone with this product.

ASSEMBLY AND ADJUSTMENTS



WARNING: To reduce the risk of serious personal injury, turn tool off and disconnect tool from power source before making any adjustments or removing/installing attachments or accessories. An accidental start-up can cause injury.

Soft Start Feature

The soft start feature allows the impact rate to build up more slowly, thus preventing the chisel or point from "bouncing" around on the masonry when starting up.

Active Vibration Control

The active vibration control neutralizes rebound vibration from the hammer mechanism. Lowering hand and arm vibration, it allows more comfortable use for longer periods of time and extends the life of the unit.

Hex Wrench Storage (Fig. A, B)

When not in use the 5mm hex wrench **13** should be stored in the hex wrench retainer **14**.

1. Pull the 5mm hex wrench **13** from the hex wrench retainer **14** to remove it.
2. Push the 5mm hex wrench **13** into the hex wrench retainer **14** to store it.

Bail/Loop Style Auxiliary Handle (Fig. C)



WARNING: To reduce the risk of personal injury, **ALWAYS** operate the tool with the bail/loop style auxiliary handle properly installed when using the tool for horizontal applications. Failure to do so may result in the bail/loop style auxiliary handle slipping during tool operation and subsequent loss of control. Hold tool with both hands to maximize control.

The bail/loop style auxiliary handle **8** clamps to the front of the housing and may be rotated 360° to permit right- or left-hand use.

Mounting the Bail/Loop Style Auxiliary Handle (Fig. C)

1. Disassemble the bail/loop style auxiliary handle **8**. Loosen the handle knob **9** by turning it counterclockwise until it comes off the bail/loop style auxiliary handle **8**.
2. Pull the handle bolt **19** from the bail/loop style auxiliary handle **8**.
3. Remove the bail/loop style auxiliary handle **8** from the handle assembly.
4. Slide the handle assembly onto the nose of the tool through the handle ring opening **17** and onto the handle ring mounting location **18** located on the housing.
5. Install the bail/loop style auxiliary handle **8** onto the handle assembly.

NOTE: Ensure the teeth **24** on the bail/loop style auxiliary handle **8** and the handle mount teeth **20** mesh together before proceeding.
6. Insert the handle bolt **19** into the handle assembly from the hexagon shaped opening **21** on the side of the bail/loop style auxiliary handle **8**.

NOTE: Do not insert the handle bolt **19** from the handle knob opening side **22**. The handle will not properly tighten.
7. Assemble the bail/loop style auxiliary handle **8**.
8. Rotate and pivot the bail/loop style auxiliary handle **8** to the desired position.
9. Thread the handle knob **9** onto the handle bolt **19** from the handle knob opening side **22** of the bail/loop style auxiliary handle **8**.
10. Tighten the handle knob **9** by turning it clockwise until the bail/loop style auxiliary handle **8** is secured in position.

Side Handles (Fig. A, D, E)



CAUTION: ALWAYS operate the tool with the side handle properly assembled. Hold tool with both hands to maximize control.

1. Attach the left side handle **5** with hex head screw **6** located inside the end of the handle. Fully tighten with 5mm hex wrench **13** (supplied).
2. Attach the right side handle **3** with hex head screw **4** located inside the end of the handle. Fully tighten with 5 mm hex wrench **13** (supplied).

NOTE: Side handles **3** and **5** must be installed in the proper orientation with the key on the end of the grip facing down.

NOTE: Store the 5mm hex wrench **13** in the hex wrench retainer **14**.

Inserting and Removing 28mm Hex Accessories (Fig. F)

This machine uses chisels with a 28mm hex shank. We recommend to use professional accessories only.



WARNING: Since accessories other than those offered by DEWALT have not been tested with this product, the use of such accessories may entail hazardous situations. To reduce the risk of injury, use only accessories recommended by DEWALT.

Clean the chisel shank.



WARNING: Do not apply lubricant to the machine.

To fit a chisel with notch in the shank, proceed as follows (Fig. F)



1. Pull the tool retainer **23** and rotate it 180° to the unlock position.
2. Hold the chisel in front of the tool holder with the notch **26** facing downwards.
3. Insert the chisel shank **27** into the 28mm hex tool holder **12**.
4. Rotate the tool retainer **23** 180° so it slides back into the lock position to lock the accessory in position.
5. Pull on the chisel to check if it is properly locked. The hammering function requires the chisel to be able to move axially several inches when locked in the tool holder.
6. To remove a chisel pull the tool retainer **23** and rotate it 180° to the unlock position and pull the chisel out of the tool holder.




WARNING: Always wear gloves when you change accessories. The exposed metal parts on the tool and accessory may become extremely hot during operation.

Service Indicator LED (Fig. A, G)

Your breaker has yellow service indicator LED **11**, to indicate when service is required. Refer to the table for more information on LED functionality.

LED Function	Description
 Yellow (permanently on)	Service required The yellow service indicator LED 11 lights up to indicate the tool needs servicing within the next 10 hours of use (new lubrication and hammer mechanism sealing).
 Yellow (flashing)	Service exceeded With the service indicator lit, after a further 10 hours of use the service indicator flashes to indicate the tool has exceeded the required service interval.

Wireless Tool Control™ (Fig. A)


 **CAUTION:** Read all safety warnings, instructions and specifications of the appliance which is to be paired with the tool.


Your tool is equipped with a Wireless Tool Control™ transmitter which allows your tool to be wirelessly paired with another Wireless Tool Control™ device, such as a dust extractor.


To pair your tool using Wireless Tool Control™, push the on/off switch **2** on the tool to the on position and press the Wireless Tool Control™ pairing button on the separate device. An LED on the separate device will let you know when your tool has been successfully paired.

OPERATION


Instructions for Use

 **WARNING:** Always observe the safety instructions and applicable regulations.

 **WARNING:** To reduce the risk of serious personal injury, turn tool off and disconnect tool from power source before making any adjustments or removing/installing attachments or accessories. An accidental start-up can cause injury.


 **WARNING:** Always observe the safety instructions and applicable regulations.

 **WARNING:** Be aware of the location of pipework and wiring.

 **WARNING:** Apply a pressure of approximately 22-44 lbs. (10-20 kg) to the tool. Applying excessive force does not speed up chiseling and can decrease tool performance and may shorten tool life.

Proper Hand Position (Fig. H)

 **WARNING:** To reduce the risk of serious personal injury, ALWAYS use proper hand position as shown.

 **WARNING:** To reduce the risk of serious personal injury, ALWAYS hold securely in anticipation of a sudden reaction.

IMPORTANT: The tool must be held with two hands at all times when in use.

Horizontal Applications (Fig. H)

Proper hand position requires one hand on the bail/loop style auxiliary handle **8** with the other hand on the top handle **1**.

Vertical Applications (Fig. H)


Proper hand position requires both hands on the left handle **5** and right handle **3**.

Switching On and Off (Fig. A, I)

Switching on: set the on/off switch **2** to position 1.

Switching off: set the on/off switch **2** to position 0.

Demolition (Fig. A, F)


 **WARNING:** Ensure that the cutting edge does not show discoloration caused by too much pressure. This may impair the hardness of the accessory.

Various types of chisels are available as an option.

1. Select the appropriate chisel. Clean the chisel shank **27**.
2. Insert the chisel and check whether it is properly locked.
3. Fit and adjust the bail/loop style auxiliary handle **8** and make sure it is firmly tightened.
4. Hold the tool by the bail/loop style auxiliary handle **8** and the top handle **1** or the left handle **5** and right handle **3** before switching ON.
5. The tool now runs in continuous operation.
IMPORTANT: ALWAYS use two hands when operating the tool. Refer to **Proper Hand Position** for the proper use of the tool for both horizontal and vertical applications.
6. Always switch off the tool when work is finished and before unplugging.

MAINTENANCE

Your power tool has been designed to operate over a long period of time with a minimum of maintenance. Continuous satisfactory operation depends upon proper tool care and regular cleaning.

 **WARNING:** To reduce the risk of serious personal injury, turn tool off and disconnect tool from power source before making any adjustments or removing/installing attachments or accessories. An accidental start-up can cause injury.

Lubrication

Your power tool requires no additional lubrication.

Cleaning



WARNING: Electrical shock and mechanical hazard.
Disconnect the electrical appliance from the power source before cleaning.



WARNING: To ensure safe and efficient operation, always keep the electrical appliance and the ventilation slots clean.



WARNING: Never use solvents or other harsh chemicals for cleaning the non-metallic parts of the tool. These chemicals may weaken the materials used in these parts. Use a cloth dampened only with water and mild soap. Never let any liquid get inside the tool; never immerse any part of the tool into a liquid.

Ventilation slots can be cleaned using a dry, soft non-metallic brush and/or a suitable vacuum cleaner. Do not use water or any cleaning solutions. Wear approved eye protection and an approved dust mask.

Optional Accessories



WARNING: Since accessories, other than those offered by DEWALT, have not been tested with this product, use of such accessories with this tool could be hazardous. To reduce the risk of injury, only DEWALT-recommended accessories should be used with this product.

Consult your dealer for further information on the appropriate accessories.

DEWALT ToolConnect™ Tag Ready (Fig. J)

Optional Accessory



WARNING: Use only original fasteners. Longer screws increase the risk of electrical shock or damage to the tool.

Your D25966 comes with mounting holes **10** and screws **16** for installing a DEWALT ToolConnect™ Tag **15**. You will need a T15 bit tip to install the tag with the provided screws **16**.

The DEWALT ToolConnect™ Tag is designed for tracking and locating professional power tools, equipment, and machines using the DEWALT Tool Connect™ app.

For proper installation of the DEWALT ToolConnect™ Tag refer to the DEWALT ToolConnect™ manual.

Dust Extraction System (Fig. K)

The use of a dust extraction system is recommended to reduce potentially harmful airborne dust and to prolong tool and accessory life.

Consult your dealer for further information on suitable dust extraction systems.

Protecting the Environment



Separate collection. Products marked with this symbol must not be disposed of with normal household waste.

Products contain materials that can be recovered or recycled, reducing the demand for raw materials. Please recycle electrical products according to local provisions. Further information is available at www.2helpU.com.

Belgique et Luxembourg België en Luxemburg	Tel: NL Tel: FR	32 15 47 37 63 32 15 47 37 64	www.dewalt.be support@dewalt.be support@dewalt.be.fr
Danmark	Tel:	70 20 15 10	www.dewalt.dk support@dewalt.dk
Deutschland	Tel:	06126-21-0	www.dewalt.de support@dewalt.de
Ελλάδα	Τηλ:	00302108981616	www.dewalt.gr support@dewalt.gr
España	Tel:	934 797 400	www.dewalt.es support@dewalt.es
France	Tel:	04 72 20 39 20	www.dewalt.fr support@dewalt.fr
Schweiz, Suisse, Svizzera	Tel:	044 - 755 60 70	www.dewalt.ch support@dewalt.ch.de support@dewalt.ch.fr support@dewalt.ch.it
Ireland	Tel:	00353-2781800	www.dewalt.ie support@dewalt.ie
Italia	Tel:	800-014353 39 039-9590200	www.dewalt.it support@dewalt.it
Nederlands	Tel:	31 164 283 063	www.dewalt.nl support@dewalt.nl
Norge	Tel:	45 25 13 00	www.dewalt.no support@dewalt.no
Österreich	Tel:	01 - 66116 - 0	www.dewalt.at support@dewalt.at
Portugal	Tel:	+351 214667500	www.dewalt.pt support@dewalt.pt
Suomi	Puh:	010 400 4333	www.dewalt.fi support@dewalt.fi
Sverige	Tel:	031 68 61 60	www.dewalt.se support@dewalt.se
Türkiye	Tel:	+90 216 665 2900	tr.dewalt.global support@dewalt.com.tr
United Kingdom	Tel:	(+44) (0)1753 260094	www.dewalt.co.uk support@dewalt.co.uk
Australia / New Zealand	Tel: Aust Tel: NZ	1800 654 155 0800 339 258	www.dewalt.com.au www.dewalt.co.nz support@dewalt.au support@dewalt.co.nz
Middle East Africa	Tel:	971 4 812 7400	www.dewalt.ae support@dewalt.ae