

DEWALT®

XR LI-ION

www.DEWALT.com

DCD700

English (***original instructions***)

3

Türkçe (*orijinal talimatlardan çevrilmiştir*)

12

Fig. A

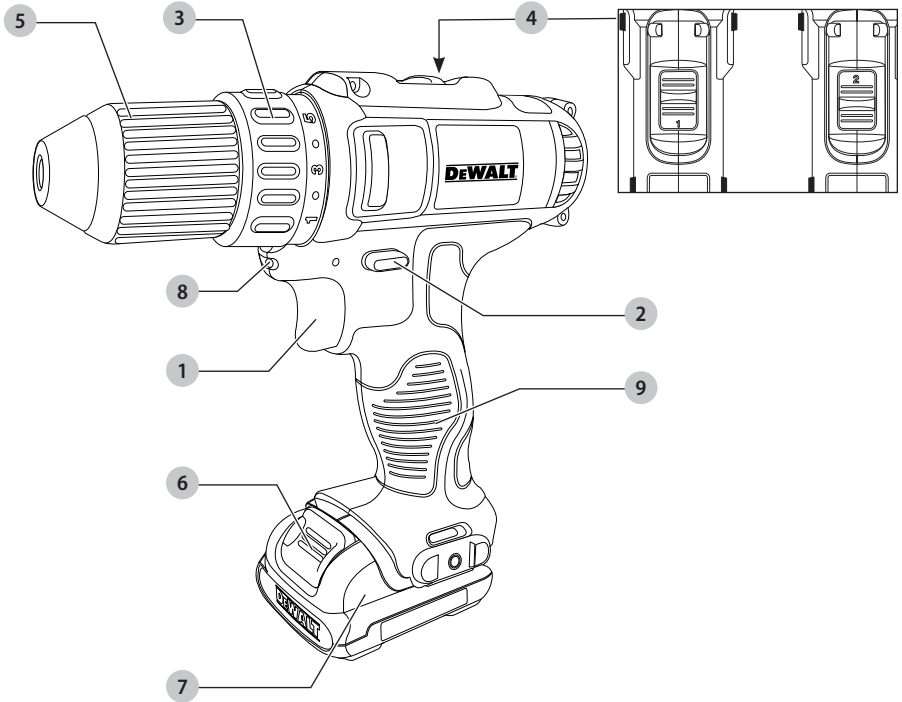


Fig. B

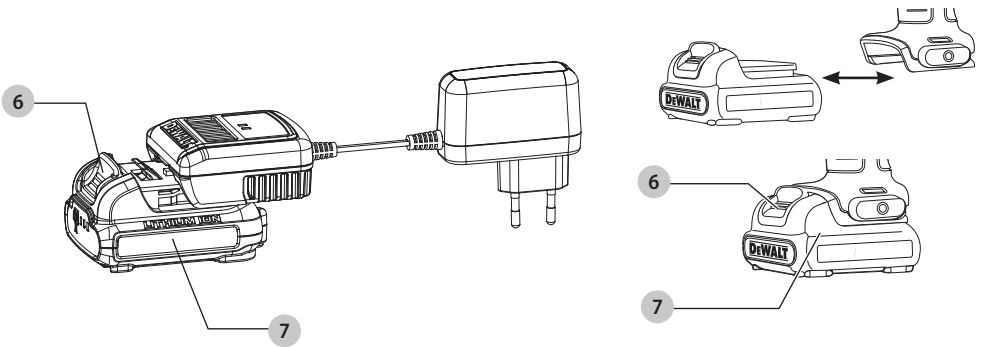


Fig. C

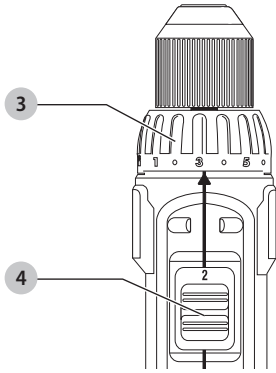


Fig. D

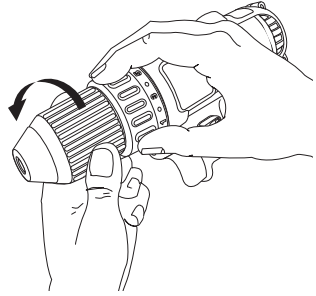


Fig. E

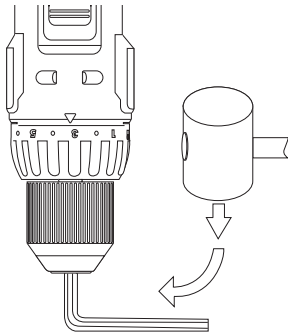


Fig. F

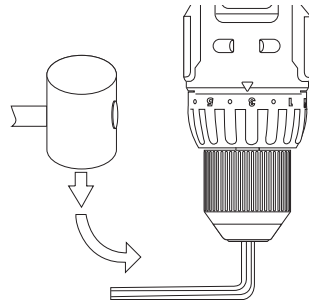
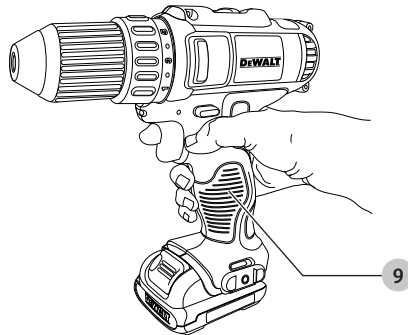


Fig. G



12V CORDLESS ADJUSTABLE CLUTCH DRILL/DRIVER

DCD700

Congratulations!

You have chosen a DEWALT tool. Years of experience, thorough product development and innovation make DEWALT one of the most reliable partners for professional power tool users.

Technical Data

		DCD700
Voltage		
Peak	V_{DC}	12
Rated	V_{DC}	10.8
Type		2/3/4/5
Battery type		Li-Ion
No-load speed:		
1st gear	min^{-1}	0–400
2nd gear	min^{-1}	0–1500
Max torque (hard/soft)	Nm	24/15
Power output	W	180
Chuck capacity	mm	10
Maximum drilling capacity:		
Wood	mm	20
Metal	mm	10
Weight (without battery pack)	kg	0.91
Noise values and/or vibration values (triax vector sum) according to EN62841		
L_{PA} (emission sound pressure level)	dB(A)	65
L_{WA} (sound power level)	dB(A)	76
K (uncertainty for the given sound level)	dB(A)	5
Vibration emission value $a_{H1} =$		
	m/s^2	< 2.5
Uncertainty K =	m/s^2	1.5

The vibration and/or noise emission level given in this information sheet has been measured in accordance with a standardised test given in EN62841 and may be used to compare one tool with another. It may be used for a preliminary assessment of exposure.

WARNING: The declared vibration and/or noise emission level represents the main applications of the tool. However if the tool is used for different applications, with different accessories or poorly maintained, the vibration and/or noise emission may differ. This may significantly increase the exposure level over the total working period.

An estimation of the level of exposure to vibration and/or noise should also take into account the times when the tool is switched off or when it is running but not actually doing the job. This may significantly reduce the exposure level over the total working period.

Identify additional safety measures to protect the operator from the effects of vibration and/or noise such as: maintain the tool and the accessories, keep the

hands warm (relevant for vibration), organisation of work patterns.

EC-Declaration of Conformity

Machinery Directive



12V Cordless Adjustable Clutch Drill/Driver DCD700

DEWALT declares that these products described under **Technical Data** are in compliance with: 2006/42/EC, EN62841-1-2015, EN62841-2-1:2018.

These products also comply with Directive 2014/30/EU and 2011/65/EU. For more information, please contact DEWALT at the following address or refer to the back of the manual.

The undersigned is responsible for compilation of the technical file and makes this declaration on behalf of DEWALT.

Markus Rompel
Vice-President Engineering, PTE-Europe
DEWALT, Richard-Klinger-Straße 11,
D-65510, Idstein, Germany
26.11.2019



WARNING: To reduce the risk of injury, read the instruction manual.

Definitions: Safety Guidelines

The definitions below describe the level of severity for each signal word. Please read the manual and pay attention to these symbols.



DANGER: Indicates an imminently hazardous situation which, if not avoided, **will** result in **death or serious injury**.



WARNING: Indicates a potentially hazardous situation which, if not avoided, **could** result in **death or serious injury**.



CAUTION: Indicates a potentially hazardous situation which, if not avoided, **may** result in **minor or moderate injury**.

NOTICE: Indicates a practice **not related to personal injury** which, if not avoided, **may** result in **property damage**.



Denotes risk of electric shock.



Denotes risk of fire.

Batteries				Chargers/Charge Times (Minutes)								
Cat #	V _{DC}	Ah	Weight kg	DCB104	DCB107	DCB110	DCB112	DCB113	DCB115	DCB118	DCB132	DCB119
DCB122	12	2.0	0.22	30	90	90	60	50	30	X	30	60
DCB124	12	3.0	0.25	45	140	140	90	70	45	45	45	90
DCB125	12	1.3	0.20	22	60	60	40	30	22	X	22	40
DCB127	12	2.0	0.20	30	90	90	60	50	30	X	30	60

GENERAL POWER TOOL SAFETY WARNINGS



WARNING: Read all safety warnings, instructions, illustrations and specifications provided with this power tool. Failure to follow all instructions listed below may result in electric shock, fire and/or serious injury.

SAVE ALL WARNINGS AND INSTRUCTIONS FOR FUTURE REFERENCE.

The term "power tool" in the warnings refers to your mains-operated (corded) power tool or battery-operated (cordless) power tool.

1) Work Area Safety

- Keep work area clean and well lit.** Cluttered or dark areas invite accidents.
- Do not operate power tools in explosive atmospheres, such as in the presence of flammable liquids, gases or dust.** Power tools create sparks which may ignite the dust or fumes.
- Keep children and bystanders away while operating a power tool.** Distractions can cause you to lose control.

2) Electrical Safety

- Power tool plugs must match the outlet. Never modify the plug in any way. Do not use any adapter plugs with earthed (grounded) power tools.** Unmodified plugs and matching outlets will reduce risk of electric shock.
- Avoid body contact with earthed or grounded surfaces, such as pipes, radiators, ranges and refrigerators.** There is an increased risk of electric shock if your body is earthed or grounded.
- Do not expose power tools to rain or wet conditions.** Water entering a power tool will increase the risk of electric shock.
- Do not abuse the cord. Never use the cord for carrying, pulling or unplugging the power tool. Keep cord away from heat, oil, sharp edges or moving parts.** Damaged or entangled cords increase the risk of electric shock.
- When operating a power tool outdoors, use an extension cord suitable for outdoor use.** Use of a cord suitable for outdoor use reduces the risk of electric shock.
- If operating a power tool in a damp location is unavoidable, use a residual current device (RCD) protected supply.** Use of an RCD reduces the risk of electric shock.

3) Personal Safety

- Stay alert, watch what you are doing and use common sense when operating a power tool. Do not use a power tool while you are tired or under the influence of drugs, alcohol or medication.** A moment of inattention while operating power tools may result in serious personal injury.
- Use personal protective equipment. Always wear eye protection.** Protective equipment such as a dust mask, non-skid safety shoes, hard hat or hearing protection used for appropriate conditions will reduce personal injuries.
- Prevent unintentional starting. Ensure the switch is in the off-position before connecting to power source and/or battery pack, picking up or carrying the tool.** Carrying power tools with your finger on the switch or energising power tools that have the switch on invites accidents.
- Remove any adjusting key or wrench before turning the power tool on.** A wrench or a key left attached to a rotating part of the power tool may result in personal injury.
- Do not overreach. Keep proper footing and balance at all times.** This enables better control of the power tool in unexpected situations.
- Dress properly. Do not wear loose clothing or jewellery. Keep your hair and clothing away from moving parts.** Loose clothes, jewellery or long hair can be caught in moving parts.
- If devices are provided for the connection of dust extraction and collection facilities, ensure these are connected and properly used.** Use of dust collection can reduce dust-related hazards.
- Do not let familiarity gained from frequent use of tools allow you to become complacent and ignore tool safety principles.** A careless action can cause severe injury within a fraction of a second.

4) Power Tool Use and Care

- Do not force the power tool. Use the correct power tool for your application.** The correct power tool will do the job better and safer at the rate for which it was designed.
- Do not use the power tool if the switch does not turn it on and off.** Any power tool that cannot be controlled with the switch is dangerous and must be repaired.
- Disconnect the plug from the power source and/or remove the battery pack, if detachable, from the power tool before making any adjustments,**

changing accessories, or storing power tools. Such preventive safety measures reduce the risk of starting the power tool accidentally.

- d) **Store idle power tools out of the reach of children and do not allow persons unfamiliar with the power tool or these instructions to operate the power tool.** *Power tools are dangerous in the hands of untrained users.*
- e) **Maintain power tools and accessories. Check for misalignment or binding of moving parts, breakage of parts and any other condition that may affect the power tool's operation. If damaged, have the power tool repaired before use.** *Many accidents are caused by poorly maintained power tools.*
- f) **Keep cutting tools sharp and clean.** *Properly maintained cutting tools with sharp cutting edges are less likely to bind and are easier to control.*
- g) **Use the power tool, accessories and tool bits etc. in accordance with these instructions, taking into account the working conditions and the work to be performed.** *Use of the power tool for operations different from those intended could result in a hazardous situation.*
- h) **Keep handles and grasping surfaces dry, clean and free from oil and grease.** *Slippery handles and grasping surfaces do not allow for safe handling and control of the tool in unexpected situations.*

5) Battery Tool Use and Care

- a) **Recharge only with the charger specified by the manufacturer.** *A charger that is suitable for one type of battery pack may create a risk of fire when used with another battery pack.*
- b) **Use power tools only with specifically designated battery packs.** *Use of any other battery packs may create a risk of injury and fire.*
- c) **When battery pack is not in use, keep it away from other metal objects, like paper clips, coins, keys, nails, screws or other small metal objects, that can make a connection from one terminal to another.** *Shorting the battery terminals together may cause burns or a fire.*
- d) **Under abusive conditions, liquid may be ejected from the battery; avoid contact. If contact accidentally occurs, flush with water. If liquid contacts eyes, additionally seek medical help.** *Liquid ejected from the battery may cause irritation or burns.*
- e) **Do not use a battery pack or tool that is damaged or modified.** *Damaged or modified batteries may exhibit unpredictable behaviour resulting in fire, explosion or risk of injury.*
- f) **Do not expose a battery pack or tool to fire or excessive temperature.** *Exposure to fire or temperature above 130 °C may cause explosion.*
- g) **Follow all charging instructions and do not charge the battery pack or tool outside the temperature range specified in the instructions.** *Charging improperly or at temperatures outside the specified range may damage the battery and increase the risk of fire.*

6) Service

- a) **Have your power tool serviced by a qualified repair person using only identical replacement parts.** *This will ensure that the safety of the power tool is maintained.*
- b) **Never service damaged battery packs.** *Service of battery packs should only be performed by the manufacturer or authorized service providers.*

Additional Specific Safety Rules for Drill/Drivers

- **Wear ear protectors when impact drilling.** *Exposure to noise can cause hearing loss.*
- **Use auxiliary handle(s), if supplied with the tool. Loss of control can cause personal injury.**
- **Hold power tool by insulated gripping surfaces when performing an operation where the cutting accessory may contact hidden wiring or its own cord.** *Cutting accessory contacting a "live" wire may make exposed metal parts of the power tool "live" and could give the operator an electric shock.*

Safety Instructions When Using Long Drill Bits

- **Never operate at higher speed than the maximum speed rating of the drill bit.** *At higher speeds, the bit is likely to bend if allowed to rotate freely without contacting the workpiece, resulting in personal injury.*
- **Always start drilling at low speed and with the bit tip in contact with the workpiece.** *At higher speeds, the bit is likely to bend if allowed to rotate freely without contacting the workpiece, resulting in personal injury.*
- **Apply pressure only in direct line with the bit and do not apply excessive pressure.** *Bits can bend causing breakage or loss of control, resulting in personal injury.*

Residual Risks

In spite of the application of the relevant safety regulations and the implementation of safety devices, certain residual risks cannot be avoided. These are:

- *Impairment of hearing.*
- *Risk of personal injury due to flying particles.*
- *Risk of burns due to accessories becoming hot during operation.*
- *Risk of personal injury due to prolonged use.*

SAVE THESE INSTRUCTIONS

Chargers

DeWALT chargers require no adjustment and are designed to be as easy as possible to operate.

Electrical Safety

The electric motor has been designed for one voltage only. Always check that the battery pack voltage corresponds to the voltage on the rating plate. Also make sure that the voltage of your charger corresponds to that of your mains.



Your DEWALT charger is double insulated in accordance with EN60335; therefore no earth wire is required.

If the supply cord is damaged, it must be replaced by a specially prepared cord available through the DEWALT service organisation.

Mains Plug Replacement (U.K. & Ireland Only)

If a new mains plug needs to be fitted:

- Safely dispose of the old plug.
- Connect the brown lead to the live terminal in the plug.
- Connect the blue lead to the neutral terminal.



WARNING: No connection is to be made to the earth terminal.

Follow the fitting instructions supplied with good quality plugs. Recommended fuse: 3 A.

Using an Extension Cable

An extension cord should not be used unless absolutely necessary. Use an approved extension cable suitable for the power input of your charger (see **Technical Data**). The minimum conductor size is 1 mm²; the maximum length is 30 m.

When using a cable reel, always unwind the cable completely.

Important Safety Instructions for All Battery Chargers

SAVE THESE INSTRUCTIONS: This manual contains important safety and operating instructions for compatible battery chargers (refer to **Technical Data**).

- Before using charger, read all instructions and cautionary markings on charger, battery pack, and product using battery pack.



WARNING: Shock hazard. Do not allow any liquid to get inside charger. Electric shock may result.



WARNING: We recommend the use of a residual current device with a residual current rating of 30mA or less.



CAUTION: Burn hazard. To reduce the risk of injury, charge only DEWALT rechargeable batteries. Other types of batteries may burst causing personal injury and damage.



CAUTION: Children should be supervised to ensure that they do not play with the appliance.

NOTICE: Under certain conditions, with the charger plugged into the power supply, the exposed charging contacts inside the charger can be shorted by foreign material. Foreign materials of a conductive nature such as, but not limited to, steel wool, aluminum foil or any buildup of metallic particles should be kept away from charger cavities. Always unplug the charger from the power supply when there is no battery pack in the cavity. Unplug charger before attempting to clean

- **DO NOT attempt to charge the battery pack with any chargers other than the ones in this manual.** The charger and battery pack are specifically designed to work together.

- **These chargers are not intended for any uses other than charging DEWALT rechargeable batteries.** Any other uses may result in risk of fire, electric shock or electrocution.
- **Do not expose charger to rain or snow.**
- **Pull by plug rather than cord when disconnecting charger.** This will reduce risk of damage to electric plug and cord.
- **Make sure that cord is located so that it will not be stepped on, tripped over, or otherwise subjected to damage or stress.**
- **Do not use an extension cord unless it is absolutely necessary.** Use of improper extension cord could result in risk of fire, electric shock, or electrocution.
- **Do not place any object on top of charger or place the charger on a soft surface that might block the ventilation slots and result in excessive internal heat.** Place the charger in a position away from any heat source. The charger is ventilated through slots in the top and the bottom of the housing.
- **Do not operate charger with damaged cord or plug—** have them replaced immediately.
- **Do not operate charger if it has received a sharp blow, been dropped, or otherwise damaged in any way.** Take it to an authorised service centre.
- **Do not disassemble charger; take it to an authorised service centre when service or repair is required.** Incorrect reassembly may result in a risk of electric shock, electrocution or fire.
- **In case of damaged power supply cord the supply cord must be replaced immediately by the manufacturer, its service agent or similar qualified person to prevent any hazard.**
- **Disconnect the charger from the outlet before attempting any cleaning. This will reduce the risk of electric shock.** Removing the battery pack will not reduce this risk.
- **NEVER** attempt to connect two chargers together.
- **The charger is designed to operate on standard 230V household electrical power. Do not attempt to use it on any other voltage.** This does not apply to the vehicular charger.







Charging a Battery (Fig. B)

1. Plug the charger into an appropriate outlet before inserting battery pack.
2. Insert the battery pack **7** into the charger, making sure the battery pack is fully seated in the charger. The red (charging) light will blink repeatedly indicating that the charging process has started.
3. The completion of charge will be indicated by the red light remaining ON continuously. The battery pack is fully charged and may be used at this time or left in the charger. To remove the battery pack from the charger, push the battery release button **6** on the battery pack.

NOTE: To ensure maximum performance and life of lithium-ion battery packs, charge the battery pack fully before first use.

Charger Operation

Refer to the indicators below for the charge status of the battery pack.

Charge Indicators	
 Charging	
 Fully Charged	
 Hot/Cold Pack Delay*	

*The red light will continue to blink, but a yellow indicator light will be illuminated during this operation. Once the battery pack has reached an appropriate temperature, the yellow light will turn off and the charger will resume the charging procedure. The compatible charger(s) will not charge a faulty battery pack. The charger will indicate faulty battery by refusing to light.

NOTE: This could also mean a problem with a charger.

If the charger indicates a problem, take the charger and battery pack to be tested at an authorised service centre.

Hot/Cold Pack Delay

When the charger detects a battery pack that is too hot or too cold, it automatically starts a Hot/Cold Pack Delay, suspending charging until the battery pack has reached an appropriate temperature. The charger then automatically switches to the pack charging mode. This feature ensures maximum battery pack life.

A cold battery pack will charge at a slower rate than a warm battery pack. The battery pack will charge at that slower rate throughout the entire charging cycle and will not return to maximum charge rate even if the battery pack warms.

Electronic Protection System

XR Li-Ion tools are designed with an Electronic Protection System that will protect the battery pack against overloading, overheating or deep discharge.

The tool will automatically turn off if the Electronic Protection System engages. If this occurs, place the lithium-ion battery pack on the charger until it is fully charged.

Wall Mounting

These chargers are designed to be wall mountable or to sit upright on a table or work surface. If wall mounting, locate the charger within reach of an electrical outlet, and away from a corner or other obstructions which may impede air flow. Use the back of the charger as a template for the location of the mounting screws on the wall. Mount the charger securely using drywall screws (purchased separately) at least 25.4 mm long with a screw head diameter of 7–9 mm, screwed into wood to an optimal depth leaving approximately 5.5 mm of the screw exposed. Align the slots on the back of the charger with the exposed screws and fully engage them in the slots.

Charger Cleaning Instructions

 **WARNING: Shock hazard. Disconnect the charger from the AC outlet before cleaning.** Dirt and grease may be removed from the exterior of the charger using a cloth or soft non-metallic brush. Do not use water or any

cleaning solutions. Never let any liquid get inside the tool; never immerse any part of the tool into a liquid.

Battery Packs

Important Safety Instructions for All Battery Packs

When ordering replacement battery packs, be sure to include catalogue number and voltage.

The battery pack is not fully charged out of the carton. Before using the battery pack and charger, read the safety instructions below. Then follow charging procedures outlined.

READ ALL INSTRUCTIONS

- **Do not charge or use battery in explosive atmospheres, such as in the presence of flammable liquids, gases or dust.** Inserting or removing the battery from the charger may ignite the dust or fumes.
- **Never force battery pack into charger. Do not modify battery pack in any way to fit into a non-compatible charger as battery pack may rupture causing serious personal injury.**
- Charge the battery packs only in DeWALT chargers.
- **DO NOT splash or immerse in water or other liquids.**
- **Do not store or use the tool and battery pack in locations where the temperature may reach or exceed 40 °C (104 °F) (such as outside sheds or metal buildings in summer).**
- **Do not incinerate the battery pack even if it is severely damaged or is completely worn out.** The battery pack can explode in a fire. Toxic fumes and materials are created when lithium-ion battery packs are burned.
- **If battery contents come into contact with the skin, immediately wash area with mild soap and water.** If battery liquid gets into the eye, rinse water over the open eye for 15 minutes or until irritation ceases. If medical attention is needed, the battery electrolyte is composed of a mixture of liquid organic carbonates and lithium salts.
- **Contents of opened battery cells may cause respiratory irritation.** Provide fresh air. If symptoms persists, seek medical attention.



WARNING: Burn hazard. Battery liquid may be flammable if exposed to spark or flame.



WARNING: Never attempt to open the battery pack for any reason. If battery pack case is cracked or damaged, do not insert into charger. Do not crush, drop or damage battery pack. Do not use a battery pack or charger that has received a sharp blow, been dropped, run over or damaged in any way (i.e., pierced with a nail, hit with a hammer, stepped on). Electric shock or electrocution may result. Damaged battery packs should be returned to service centre for recycling.



WARNING: Fire hazard. Do not store or carry the battery pack so that metal objects can contact exposed battery terminals. For example, do not place the battery pack in aprons, pockets, tool boxes, product kit boxes, drawers, etc., with loose nails, screws, keys, etc.



CAUTION: When not in use, place tool on its side on a stable surface where it will not cause a tripping or falling hazard. Some tools with large battery packs will stand upright on the battery pack but may be easily knocked over.

Transportation



WARNING: Fire hazard. Transporting batteries can possibly cause fire if the battery terminals inadvertently come in contact with conductive materials. When transporting batteries, make sure that the battery terminals are protected and well insulated from materials that could contact them and cause a short circuit. **NOTE:** Lithium-ion batteries should not be put in checked baggage.

DEWALT batteries comply with all applicable shipping regulations as prescribed by industry and legal standards which include UN Recommendations on the Transport of Dangerous Goods; International Air Transport Association (IATA) Dangerous Goods Regulations, International Maritime Dangerous Goods (IMDG) Regulations, and the European Agreement Concerning The International Carriage of Dangerous Goods by Road (ADR). Lithium-ion cells and batteries have been tested to section 38.3 of the UN Recommendations on the Transport of Dangerous Goods Manual of Tests and Criteria.

In most instances, shipping a DEWALT battery pack will be excepted from being classified as a fully regulated Class 9 Hazardous Material. In general, only shipments containing a lithium-ion battery with an energy rating greater than 100 Watt Hours (Wh) will require being shipped as fully regulated Class 9. All lithium-ion batteries have the Watt Hour rating marked on the pack. Furthermore, due to regulation complexities, DEWALT does not recommend air shipping lithium-ion battery packs alone regardless of Watt Hour rating. Shipments of tools with batteries (combo kits) can be air shipped as excepted if the Watt Hour rating of the battery pack is no greater than 100 Whr.

Regardless of whether a shipment is considered excepted or fully regulated, it is the shipper's responsibility to consult the latest regulations for packaging, labeling/marketing and documentation requirements.

The information provided in this section of the manual is provided in good faith and believed to be accurate at the time the document was created. However, no warranty, expressed or implied, is given. It is the buyer's responsibility to ensure that its activities comply with the applicable regulations.

Storage Recommendations

1. The best storage place is one that is cool and dry away from direct sunlight and excess heat or cold. For optimum battery performance and life, store battery packs at room temperature when not in use.
2. For long storage, it is recommended to store a fully charged battery pack in a cool, dry place out of the charger for optimal results.

NOTE: Battery packs should not be stored completely depleted of charge. The battery pack will need to be recharged before use.

Labels on Charger and Battery Pack

In addition to the pictographs used in this manual, the labels on the charger and the battery pack may show the following pictographs:



Read instruction manual before use.



See **Technical Data** for charging time.



Do not probe with conductive objects.



Do not charge damaged battery packs.



Do not expose to water.



Have defective cords replaced immediately.



Charge only between 4 °C and 40 °C.



Only for indoor use.



Discard the battery pack with due care for the environment.

LI-ION



Charge DEWALT battery packs only with designated DEWALT chargers. Charging battery packs other than the designated DEWALT batteries with a DEWALT charger may make them burst or lead to other dangerous situations.



Do not incinerate the battery pack.

Battery Type

The DCD700 operates on a 12 volt battery pack.

These battery packs may be used: DCB122, DCB124, DCB125, DCB127. Refer to **Technical Data** for more information.

Package Contents

The package contains:

- 1 Drill/driver
- 1 Charger
- 2 Batteries
- 1 Kitbox
- 1 Li-ion battery pack (C1, D1, L1, M1, P1, S1, T1, X1, Y1 models)
- 2 Li-ion battery packs (C2, D2, L2, M2, P2, S2, T2, X2, Y2 models)
- 3 Li-ion battery packs (C3, D3, L3, M3, P3, S3, T3, X3, Y3 models)
- 1 Instruction manual

NOTE: Battery packs, chargers and kitboxes are not included with N models. Battery packs and chargers are not included with NT models. B models include Bluetooth® battery packs.

NOTE: The Bluetooth® word mark and logos are registered trademarks owned by the Bluetooth®, SIG, Inc. and any use of such marks by DeWALT is under license. Other trademarks and trade names are those of their respective owners.

- Check for damage to the tool, parts or accessories which may have occurred during transport.
- Take the time to thoroughly read and understand this manual prior to operation.

Markings on Tool

The following pictograms are shown on the tool:



Read instruction manual before use.



Visible radiation. Do not stare into light.

Date Code Position

The date code, which also includes the year of manufacture, is printed into the housing.

Example:

2019 XX XX

Year of Manufacture

Description (Fig. A)



WARNING: Never modify the power tool or any part of it. Damage or personal injury could result.

- 1 Variable speed trigger switch
- 2 Forward/reverse button
- 3 Torque adjustment collar
- 4 Gear shifter
- 5 Keyless chuck
- 6 Battery release button
- 7 Battery pack
- 8 Worklight

Intended Use

This drill/driver is designed for light fastening and drilling applications.

DO NOT use under wet conditions or in the presence of flammable liquids or gases.

This drill/driver is a professional power tool.

DO NOT let children come into contact with the tool.

Supervision is required when inexperienced operators use this tool.

- **Young children and the infirm.** This appliance is not intended for use by young children or infirm persons without supervision.
- This product is not intended for use by persons (including children) suffering from diminished physical, sensory or mental abilities; lack of experience, knowledge or skills

unless they are supervised by a person responsible for their safety. Children should never be left alone with this product.

ASSEMBLY AND ADJUSTMENTS



WARNING: To reduce the risk of serious personal injury, turn tool off and disconnect battery pack before making any adjustments or removing/installing attachments or accessories. An accidental start-up can cause injury.



WARNING: Use only DeWALT battery packs and chargers.

Inserting and Removing the Battery Pack from the Tool (Fig. B)

NOTE: Make sure your battery pack 7 is fully charged.

To Install the Battery Pack into the Tool Handle

1. Align the battery pack 7 with the rails inside the tool's handle (Fig. B).
2. Slide it into the handle until the battery pack is firmly seated in the tool and ensure that you hear the lock snap into place.

To Remove the Battery Pack from the Tool

1. Press the release button 6 and firmly pull the battery pack out of the tool handle.
2. Insert battery pack into the charger as described in the charger section of this manual.

Fuel Gauge Battery Packs (Fig. B)

Some DeWALT battery packs include a fuel gauge which consists of three green LED lights that indicate the level of charge remaining in the battery pack.

To actuate the fuel gauge, press and hold the fuel gauge button. A combination of the three green LED lights will illuminate designating the level of charge left. When the level of charge in the battery is below the usable limit, the fuel gauge will not illuminate and the battery will need to be recharged.

NOTE: The fuel gauge is only an indication of the charge left on the battery pack. It does not indicate tool functionality and is subject to variation based on product components, temperature and end-user application.

OPERATION

Instructions for Use



WARNING: Always observe the safety instructions and applicable regulations.



WARNING: To reduce the risk of serious personal injury, turn tool off and disconnect battery pack before making any adjustments or removing/installing attachments or accessories. An accidental start-up can cause injury.

Proper Hand Position (Fig. G)



WARNING: To reduce the risk of serious personal injury, ALWAYS use proper hand position as shown.



WARNING: To reduce the risk of serious personal injury, ALWAYS hold securely in anticipation of a sudden reaction.

Proper hand position requires one hand on the main handle 9.

Variable Speed Trigger Switch (Fig. A)

To turn the tool on, squeeze the trigger switch 1. To turn the tool off, release the trigger switch. Your tool is equipped with a brake. The chuck will stop when the trigger switch is fully released.

The variable speed switch enables you to select the best speed for a particular application. The further you squeeze the trigger, the faster the tool will operate. For maximum tool life, use variable speed only for starting holes or fasteners

NOTE: Continuous use in variable speed range is not recommended. It may damage the switch and should be avoided.

Forward/Reverse Control Button (Fig. A)

A forward/reverse control button 2 determines the direction of the tool and also serves as a lock-off button.

To select forward rotation, release the trigger switch and depress the forward/reverse control button on the right side of the tool.

To select reverse, depress the forward/reverse control button on the left side of the tool. The center position of the control button locks the tool in the off position. When changing the position of the control button, be sure the trigger is released.

NOTE: The first time the tool is run after changing the direction of rotation, you may hear a click on start up. This is normal and does not indicate a problem.

Worklight (Fig. A)

There is a worklight 8 located under the torque adjustment collar 3. The worklight will be activated when the trigger switch is squeezed.

NOTE: The worklight is for lighting the immediate work surface and is not intended to be used as a flashlight.

Torque Adjustment Collar (Fig. A)

The torque adjustment collar 3 is clearly marked with numbers and a drill bit symbol. The collar should be rotated until the desired setting is located at the top of the tool. Locators are provided in the collar to eliminate the guess work when selecting fastening torque. The higher the number on the collar, the higher the torque and the larger the fastener which can be driven. To lock the clutch for drilling operations, move to the drill bit position.

NOTE: When using the drill/driver for drilling holes, be sure that the torque adjusting collar is set so the figure of the drill is aligned with the center line on the top of the tool. Failure to do this will allow the clutch to slip while attempting to drill.

Dual Range Gearing (Fig. A, C)

The dual range feature of your driver/drill allows you to shift gears for greater versatility.

To select the low speed, high torque setting, turn the tool off and permit to stop. Slide the gear shifter 4 forward (towards the chuck). To select the high speed, low torque setting, turn

the tool off and permit to stop. Slide the gear shifter back (away from chuck).

NOTE: Do not change gears when the tool is running. If you are having trouble changing gears, make sure that the dual range gear shifter is either completely pushed forward or completely pushed back.

Keyless Single Sleeve Chuck (Fig. D)

Your tool features a keyless chuck with one rotating sleeve for one-handed operation of the chuck. To insert a drill bit or other accessory, follow these steps.

1. Lock the trigger in the OFF position as previously described.
2. Grasp the black sleeve of the chuck with one hand and use the other hand to secure the tool. Rotate the sleeve counterclockwise far enough to accept the desired accessory.
3. Insert the accessory about 19 mm into the chuck and tighten securely by rotating the chuck sleeve clockwise with one hand while holding the tool with the other. Your tool is equipped with an automatic spindle lock mechanism. This allows you to open and close the chuck with one hand.

To release the accessory, repeat step 2 above.

WARNING: Do not attempt to tighten drill bits (or any other accessory) by gripping the front part of the chuck and turning the tool on. Damage to the chuck and personal injury may result. Always lock off trigger switch when changing accessories.

Be sure to tighten chuck with one hand on the chuck sleeve and one hand holding the tool for maximum tightness.

Chuck Removal (Fig. E)

Turn the adjustment collar to the "drill" position and gear shifter to position 1 (low speed). Tighten the chuck around the shorter end of a hex key (not supplied) of 6 mm or greater size. Using a wooden mallet or similar object, strike the longer end in the clockwise direction, as shown. This will loosen the screw inside the chuck.

Open chuck jaws fully, insert screwdriver (or Torx tool if required) into front of chuck between jaws to engage screw head. Remove screw by turning clockwise (left-hand-thread). Place hex key in chuck and tighten, as shown in Figure E. Using a wooden mallet or similar object, strike key sharply in the counterclockwise direction. This will loosen the chuck so that it can be unscrewed by hand.


Chuck Installation (Fig. F)

Screw the chuck on by hand as far as it will go and insert screw (left-hand thread). Tighten screw securely. Tighten the chuck around the shorter end of a 6 mm or larger hex key (not supplied) strike the longer end in the clockwise direction with a wooden mallet, as shown. Tighten the screw once again by turning in a counterclockwise direction.

Drill Operation


WARNING: To reduce the risk of serious personal injury, turn tool off and disconnect tool from power source

before making any adjustments or removing/installing attachments or accessories.

-  **WARNING: To reduce the risk of personal injury, ALWAYS ensure workpiece is anchored or clamped firmly. If drilling thin material, use a wood "back-up" block to prevent damage to the material.**

Turn the collar to the drill bit symbol for drilling. Select the desired speed/torque range using the gear shifter to match the speed and torque to the planned operation.

1. Use sharp drill bits only. For WOOD, use twist drill bits, spade bits, or hole saws. For METAL, use high-speed steel (HSS) twist drill bits or hole saws.
2. Always apply pressure in a straight line with the bit. Use enough pressure to keep drill biting, but do not push hard enough to stall the motor or deflect the bit.
3. Hold tool firmly with both hands to control the twisting action of the drill.

-  **WARNING:** The drill may stall if overloaded causing a sudden twist. Always expect the stall. Grip the drill firmly with both hands to control the twisting action and avoid injury.

4. **IF DRILL STALLS**, it is usually because it is being overloaded or improperly used. **RELEASE TRIGGER IMMEDIATELY**, remove drill bit from work, and determine cause of stalling. **DO NOT CLICK TRIGGER ON AND OFF IN AN ATTEMPT TO START A STALLED DRILL — THIS CAN DAMAGE THE DRILL.**
5. To minimize stalling or breaking through the material, reduce pressure on drill and ease the bit through the last fractional part of the hole.
6. Keep the motor running when pulling the bit back out of a drilled hole. This will help prevent jamming.
7. With variable speed drills there is no need to center punch the point to be drilled. Use a slow speed to start the hole and accelerate by squeezing the trigger harder when the hole is deep enough to drill without the bit skipping out.

Operation as a Screwdriver

Select the desired speed/torque range using the dual range gear shifter on the top of tool to match the speed and torque to the planned operation.

Insert the desired fastener accessory into the chuck as you would any drill bit. Make a few practice runs in scrap or unseen areas to determine the proper position of the clutch collar.


MAXIMUM RECOMMENDED CAPACITIES

	Low Range-1	High Range-2
Bits, Metal Drilling	6.35 mm	3.18 mm
Wood, Flat Boring	19.05 mm	12.7 mm
Hole Saws	19.05 mm	15.88 mm

MAINTENANCE

Your power tool has been designed to operate over a long period of time with a minimum of maintenance. Continuous

satisfactory operation depends upon proper tool care and regular cleaning.

-  **WARNING:** To reduce the risk of serious personal injury, turn tool off and disconnect battery pack before making any adjustments or removing/installing attachments or accessories. An accidental start-up can cause injury.

The charger and battery pack are not serviceable.




Lubrication

Your power tool requires no additional lubrication.




Cleaning

-  **WARNING:** Blow dirt and dust out of the main housing with dry air as often as dirt is seen collecting in and around the air vents. Wear approved eye protection and approved dust mask when performing this procedure.

-  **WARNING:** Never use solvents or other harsh chemicals for cleaning the non-metallic parts of the tool. These chemicals may weaken the materials used in these parts. Use a cloth dampened only with water and mild soap. Never let any liquid get inside the tool; never immerse any part of the tool into a liquid.

Optional Accessories

-  **WARNING:** Since accessories, other than those offered by DEWALT, have not been tested with this product, use of such accessories with this tool could be hazardous. To reduce the risk of injury, only DEWALT recommended accessories should be used with this product.

Consult your dealer for further information on the appropriate accessories.

Protecting the Environment



Separate collection. Products and batteries marked with this symbol must not be disposed of with normal household waste.

Products and batteries contain materials that can be recovered or recycled reducing the demand for raw materials. Please recycle electrical products and batteries according to local provisions. Further information is available at www.2helpU.com.

Rechargeable Battery Pack

This long life battery pack must be recharged when it fails to produce sufficient power on jobs which were easily done before. At the end of its technical life, discard it with due care for our environment:

- Run the battery pack down completely, then remove it from the tool.
- Li-Ion cells are recyclable. Take them to your dealer or a local recycling station. The collected battery packs will be recycled or disposed of properly.

12 V ŞARJLI MATKAP/TORNAVIDA

DCD700

Tebrikler!

Bir DEWALT aleti seçtiniz. Uzun süreli deneyim, sürekli ürün geliştirme ve yenilik DEWALT markasının profesyonel elektrikli alet kullanıcıları için en güvenilir ortaklardan birisi haline gelmesini sağlamaktadır.

Teknik Özellikleri

		DCD700
Voltage		
Zirve	V_{DC}	12
Nominal	V_{DC}	10,8
Tip		2/3/4/5
Akü tipi		Li-Ion
Yüksüz hız:		
1. vites	dev/dak	0–400
2. vites	dev/dak	0–1500
Maks. tork (sert/yumuşak)	Nm	24/15
Çıkış gücü	W	180
Mandren kapasitesi	mm	10
Maksimum delme kapasitesi:		
Ahşap	mm	20
Metal	mm	10
Ağırlık (akü hariç)	kg	0,91
Bu standart uyarınca gürültü ve/veya titreşim değerleri (triaksi vektör toplamı): EN62841		
L_{PA} (ses basıncı düzeyi)	dB(A)	65
L_{WA} (akustik güç düzeyi)	dB(A)	76
K (akustik gücü belirsizliği)	dB(A)	5
Titreşim emisyon değeri $a_{H1} =$		
	m/s^2	< 2,5
Belirsizlik K =		
	m/s^2	1,5

Bu bilgi sayfasında verilen titreşim ve/veya gürültü emisyonu düzeyi, EN62841'de belirtilen standart teste uygun olarak ölçülmüştür ve aletleri birbiriyle karşılaştırmak için kullanılabilir. Maruz kalmaya dönük bir ön değerlendirme olarak kullanılabilir.

UYARI: Beyan edilen titreşim ve/veya gürültü emisyon düzeyi, aletin ana uygulamalarını yansıtır. Bununla birlikte alet farklı uygulamalar için, farklı aksesuarla veya yeterince bakım yapılmadan kullanıldığında, titreşim ve/veya gürültü emisyonu değişebilir. Bu, toplam çalışma süresindeki maruz kalma seviyesini önemli ölçüde artırabilir.

Titreşim ve/veya gürültü maruz kalma seviyesine ilişkin bir tahminde bulunurken aletin kapalı kaldığı veya çalıştığı ancak gerçekte işi yapmadığı zamanlar da dikkate alınmalıdır. Bu, toplam çalışma süresindeki maruziyet düzeyini önemli ölçüde azaltabilir.

Operatörü titreşim ve/veya gürültünün etkilerinden korumak için aşağıdakiler gibi ilave güvenlik önlemleri tanımlayın: aleti ve aksesuarları iyi koruyun, ellerinizi sıcak tutun (titreşim için uygundur), çalışma sürelerini iyi organize edin.

AT Uygunluk Beyanati

Makine Direktifi

12 V Şarjlı Matkap/Tornavida
DCD700

DEWALT, Teknik Özellikleri bölümünde açıklanan bu ürünlerin aşağıda belirtilen yönergelerle uygun olduğunu beyan eder: 2006/42/AT, EN62841-1-2015, EN62841-2-1:2018.

Bu ürünler ayrıca 2014/30/EU ve 2011/65/EU Direktiflerine de uygundur. Daha ayrıntılı bilgi için, lütfen aşağıdaki adresten DEWALT ile temas kurun veya kılavuzun arka kapağına bakın.

Bu belge altında imzası bulunan yetkili, teknik dosyanın derlenmesinden sorumludur ve bu beyanı DEWALT adına vermiştir.

Markus Rompel
PTE-Avrupa, Mühendislik Birimi Genel Müdür Yardımcısı
DEWALT, Richard-Klinger-Straße 11,
D-65510, Idstein, Almanya
26.11.2019



UYARI: Yaralanma riskini azaltmak için, kullanım kılavuzunu okuyun.

Tanımlar: Güvenlik Talimatları

Aşağıdaki tanımlar her işaret sözcüğü ciddiyet derecesini gösterir. Lütfen kılavuzu okuyunuz ve bu simgelere dikkat ediniz.



TEHLİKE: Engellenmemesi halinde **ölüm veya ciddi yaralanma** ile sonuçlanabilecek **çok yakın bir tehlikeli durumu** gösterir.



UYARI: Engellenmemesi halinde **ölüm veya ciddi yaralanma** ile sonuçlanabilecek **potansiyel bir tehlikeli durumu** gösterir.



DİKKAT: Engellenmemesi halinde **önemsiz veya orta dereceli yaralanma** ile sonuçlanabilecek **potansiyel bir tehlikeli durumu** gösterir.

İKAZ: Engellenmemesi halinde **maddi hasara neden olabilecek, yaralanma ile ilişkisi olmayan durumları** gösterir.



Elektrik çarpması riskini belirtir.



Yangın riskini belirtir.

Aküler				Şarj Aletleri/Şarj Süreleri (Dakika)								
Kat. #	V _{DC}	Ah	Ağırlık kg	DCB104	DCB107	DCB110	DCB112	DCB113	DCB115	DCB118	DCB132	DCB119
DCB122	12	2.0	0.22	30	90	90	60	50	30	X	30	60
DCB124	12	3.0	0.25	45	140	140	90	70	45	45	45	90
DCB125	12	1.3	0.20	22	60	60	40	30	22	X	22	40
DCB127	12	2.0	0.20	30	90	90	60	50	30	X	30	60

ELEKTRIKLİ EL ALETLERİ İÇİN GENEL GÜVENLİK TALİMATLARI



UYARI: Bu elektrikli aletle verilen tüm güvenlik uyarılarını, talimatları, resimleri ve teknik özellikleri okuyun. Aşağıda listelenen tüm talimatlara uyulmaması elektrik çarpmasına, yangına ve/veya ciddi yaralanmalara neden olabilir.

BÜTÜN UYARI VE GÜVENLİK TALİMATLARINI İLERİDE BAKMAK ÜZERE SAKLAYIN

Uyarılarda yer alan «elektrikli alet» terimi şebeke elektrikle (kablolu) veya akü/pille (şarjlı) çalışan elektrikli aletinizi ifade etmektedir.

1) Çalışma alanının Güvenliği

- Çalışma alanını temiz ve aydınlık tutun.** Karışık ve karanlık alanlar kazaya davetiye çıkarır.
- Elektrikli aletleri, yanıcı sıvılar, gazlar ve tozların bulunduğu yerler gibi yanıcı ortamlarda çalıştırmayın.** Elektrikli aletler, toz veya dumanları ateşleyebilecek kıvılcımlar çıkarır.
- Bir elektrikli aleti çalıştırırken çocuklardan ve etraftaki kişilerden uzak tutun.** Dikkatinizi dağıtıcı şeyler kontrolü kaybetmenize neden olabilir.

2) Elektrik Güvenliği

- Elektrikli aletlerin fişleri prizlere uygun olmalıdır.** Fiş üzerinde kesinlikle hiçbir değişiklik yapmayın. **Topraklı elektrikli aletlerde hiçbir adaptör fişi kullanmayın.** Değiştirilmemiş fişler ve uygun prizler elektrik çarpması riskini azaltacaktır.
- Borular, radyatörler, ocaklar ve buzdolapları gibi topraklanmamış yüzeylerle vücut temasından kaçının.** Vücudunuzun topraklanması halinde yüksek bir elektrik çarpması riski vardır.
- Elektrikli aletleri yağmura maruz bırakmayın veya ıslatmayın.** Elektrikli alete su girmesi elektrik çarpması riskini arttıracaktır.
- Elektrik kablosunu uygun olmayan amaçlarla kullanmayın.** Elektrikli aleti kesinlikle kablosundan tutarak taşımayın, çekmeyin veya prizden çıkartmayın. **Kabloyu sıcaktan, yağdan, keskin kenarlardan veya hareketli parçalardan uzak tutun.** Hasarlı veya dolaşmış kablolar elektrik çarpması riskini artırır.
- Elektrikli bir aleti açık havada çalıştırıyorsanız, açık havada kullanıma uygun bir uzatma kablosu**

kullanın. Açık havada kullanıma uygun bir kablolu kullanılması elektrik çarpması riskini azaltır.

- Eğer bir elektrikli aletin nemli bir bölgede çalıştırılması zorunluysa, bir artık akım aygıtı (RCD) korumalı bir kaynak kullanın.** Bir RCD kullanılması elektrik şoku riskini azaltır.

3) Kişisel Güvenlik

- Elektrikli bir aleti kullanırken her zaman dikkatli olun, yaptığınız işe yoğunlaşın ve sağduyulu davranın.** Elektrikli bir aleti yorgunken veya ilaç ya da alkolün etkisi altındayken kullanmayın. Elektrikli aletleri kullanırken bir anlık dikkatsizlik ciddi kişisel yaralanmayla sonuçlanabilir.
- Kişisel koruyucu ekipmanları mutlaka kullanın.** Daima koruyucu gözlük takın. Koşullara uygun toz maskesi, kaymayan güvenlik ayakkabıları, baret veya kulaklık gibi koruyucu donanımların kullanılması kişisel yaralanmaları azaltacaktır.
- İstem dışı çalıştırılmasını önleyin.** Aleti güç kaynağına ve/veya aküye bağlamadan, yerden kaldırmadan veya taşımadan önce düğmenin kapalı konumda olduğundan emin olun. Aleti, parmağınız düğme üzerinde bulunacak şekilde taşımak veya açık konumdaki elektrikli aletleri elektrik şebekesine bağlamak kazaya davetiye çıkarır.
- Elektrikli aleti açmadan önce tüm ayarlamaları anahtarlarını çıkartın.** Elektrikli aletin hareketli bir parçasına takılı kalmış bir anahtar kişisel yaralanmaya neden olabilir.
- Ulaşmakta zorlandığınız yerlerde kullanmayın.** Daima sağlam ve dengeli basın. Bu, beklenmedik durumlarda elektrikli aletin daha iyi kontrol edilmesine olanak tanır.
- Uygun şekilde giyinin.** Bol elbiseler giymeyin ve takı takmayın. Saçınızı, elbiselerinizi ve eldivenlerinizi hareketli parçalardan uzak tutun. Bol elbiseler ve takılar veya uzun saç hareketli parçalara takılabilir.
- Eğer kullandığınız üründe toz emme ve toplama özellikleri olan ataşmanlar varsa bunların bağlı olduğundan ve doğru şekilde kullanıldığını emin olun.** Bu ataşmanların kullanılması tozla ilgili tehlikeleri azaltabilir.
- Aletlerin sık kullanımı sonucu oluşan aşınalığın keyfi davranışta bulunmanıza ve aletle ilgili güvenlik ilkeleri ihmal etmenize neden olmasına**

izn vermeyin. Dikkatsiz bir hareket bir anda ciddi yaralanmalara neden olabilir.

4) Elektrikli Aletlerin Kullanımı ve Bakımı

- Elektrikli aleti zorlamayın. Uygulamanız için doğru elektrikli aleti kullanın.** Doğru elektrikli alet, belirlendiği kapasite ayarında kullanıldığında daha iyi ve güvenli çalışacaktır.
- Düğme açmıyor ve kapatmıyorsa elektrikli aleti kullanmayın.** Düğmeyle kontrol edilemeyen tüm elektrikli aletler tehlikelidir ve tamir edilmesi gerekmektedir.
- Herhangi bir ayar, aksesuar değişimi veya elektrikli aletlerin saklanması öncesinde fişi güç kaynağından çekin ve/veya eğer demonte edilebilir tipteyse, bataryayı aletten ayırın.** Bu tür önleyici güvenlik tedbirleri elektrikli aletin istem dışı olarak çalıştırılması riskini azaltacaktır.
- Elektrikli aleti, çocukların ulaşamayacağı yerlerde saklayın ve elektrikli aleti tanımayan veya bu talimatları bilmeyen kişilerin elektrikli aleti kullanmasına izin vermeyin.** Elektrikli aletler, eğitimsiz kullanıcıların elinde tehlikelidir.
- Elektrikli aletleri iyi duruma muhafaza edin. Hareketli parçalardaki hizalama hatalarını ve tutuklukları, parçalardaki kırılmalar ve elektrikli aletin çalışmasını etkileyebilecek tüm diğer koşulları kontrol edin. Hasarlı ise, elektrikli aleti kullanmadan önce tamir ettirin.** Kazaların çoğu, elektrikli aletlerin bakımının yeterli şekilde yapılmamasından kaynaklanır.
- Kesim aletlerini keskin ve temiz tutun.** Bakımı uygun şekilde yapılmış keskin kesim uçlu kesim aletlerinin sıkışma ihtimali daha düşüktür ve kontrol edilmesi daha kolaydır.
- Elektrikli aleti, aksesuarlarını ve aletin diğer parçalarını kullanırken bu talimatlara mutlaka uyun ve çalışma ortamının koşullarına ve yapılacak işin ne olduğunu göz önünde bulundurun.** Elektrikli aletin öngörülen işlemler dışındaki işlemler için kullanılması tehlikeli durumlara neden olabilir.
- Tüm tutamakları ve tutma yerlerini kuru, temiz ve üzerinde yağ ile gres bulundurmamak şekilde muhafaza edin.** Kaygan tutamaklar ve tutma yerleri, beklenmedik durumlarda aletin güvenli bir şekilde tutulması ve kontrol edilmesine izin vermez.

5) Şarjlı Aletlerin kullanımı ve bakımı

- Sadece üretici tarafından belirtilen şarj cihazı ile şarj edin.** Bir akü tipine uygun bir şarj cihazı başka tipte bir aküyü şarj etmek için kullanıldığında yangın riski yaratabilir.
- Elektrikli aletleri yalnızca özel olarak tanımlanmış akülerle kullanın.** Başka akülerin kullanılması yaralanma ve yangın riskine yol açabilir.
- Akü kullanımda değilken, ataç, bozuk para, anahtar, çivi, vida veya terminaler arasında kontağa neden olabilecek diğer küçük metal nesnelere uzak**

tutulmalıdır. Akü terminallerinin birbirine kısa devre yapılması yanıklara veya yangına neden olabilir.

- Uygun olmayan koşullarda, akü sıvı sızıntısı yapabilir; sıvıya temas etmekten kaçının. Kazara temas etmeniz halinde suyla yıkayın. Sıvı, gözlerinize temas ederse, ayrıca bir doktora başvurun.** Aküden sıvı sızması tahriş veya yanıklara neden olabilir.
- Hasarlı ya da modifiye edilmiş bir batarya veya aleti kullanmayın.** Hasarlı ya da modifiye edilmiş bataryalar yangın, patlama veya yaralanma riskiyle sonuçlanan beklenmedik durumlara neden olabilir.
- Bir batarya veya aleti ateşe veya aşırı ısıya maruz bırakmayın.** 130 °C üzeri ısı veya ateşe maruz kalması patlamaya neden olabilir.
- Tüm şarj talimatlarına uyun ve talimatlarda belirtilen sıcaklık aralığı dışında batarya veya aleti şarj etmeyin.** Doğru olmayan şekilde veya belirtilen aralık dışındaki sıcaklıklarda şarj edilmesi bataryaya hasar verebilir ve yangın riskini artırabilir.

6) Servis

- Elektrikli aletinizi, sadece orijinal yedek parçaların kullanıldığı yetkili DEWALT servisine tamir ettirin.** Bu, elektrikli aletin güvenliğinin muhafaza edilmesini sağlayacaktır.
- Hasar görmüş bataryalara asla serviste bulunmayın.** Bataryaların servisi sadece üretici veya yetkili servis tarafından yapılabilir.

Matkap/Tornavidalar için Özel Ek Güvenlik Talimatları

- Darbeli matkapla çalışırken kulaklık takın.** Gürültüye maruz kalınması, işitme kaybına yol açabilir.
- Alele birlikte verilmişse yardımcı tutma kollarını kullanın. Kontrolü kaybetmeniz, yaralanmanıza neden olabilir.**
- Kesme aksesuarının gizli kablolarına veya kendi kablosuna temas edebileceği yerlerde çalışma yaparken elektrikli aleti yalıtımlı kavrama yüzeylerinden tutun.** Kesme aksesuarının "akım taşıyan" bir kabloya temas etmesi durumunda metal kısımları da "akım taşıyıcı" hale gelecek ve operatörün çarpılmasına yol açacaktır.

Matkaplar için Ek Güvenlik Uyarıları

- İş parçasını stabil bir yüzeye sabitlemek ve desteklemek için kelepçe veya başka bir pratik yöntem kullanın.** İş parçasını el veya vücudunuzla tutmak dengesizdir ve kontrol kaybına neden olabilir.
- Aksesuarlar ve alet çalışma sırasında ısınır.** Metal malzeme delme gibi ısınmaya yol açan uygulamaları gerçekleştiriyorsanız aksesuarları ve aletleri tutarken eldiven kullanın.
- Havalandırma delikleri sıklıkla hareketli parçaların üstünü örterler ve bunlardan kaçınılmalıdır.** Bol elbiseler, takılar veya uzun saç hareketli parçalara takılabilir.

Diğer Tehlikeler

Emniyet tedbirlerini düzenleyen yönetmeliğin uygulanmasına ve emniyet sağlayıcı aygıtların kullanılmasına rağmen, başka belirli risklerden kaçınılamaz. Bunlar:

- *Duyuma bozukluğu.*
- *Siçrayan parçacıklardan kaynaklanan yaralanma riski.*
- *Çalışma sırasında ısınan aksesuarlardan kaynaklanan yanık tehlikesi.*
- *Uzun süreli kullanımdan kaynaklanan yaralanma riski.*

BU TALİMATLARI SAKLAYIN

Şarj Cihazları

DEWALT şarj cihazlarının ayara ihtiyacı yoktur ve olabildiğince kolay çalıştırılmak üzere tasarlanmıştır.

Elektrik Güvenliği

Elektrik motoru, sadece tek bir gerilim ile çalışacak şekilde ayarlanmıştır. Her zaman akü voltajının aletin üretim etiketinde belirlenmiş değerlere uyup uymadığını kontrol edin. Aynı zamanda şarj cihazınızın voltajının ana şebeke voltajınızla aynı olduğundan emin olun.



DEWALT şarj cihazınız EN60335 standardına uygun olarak çift yalıtımlıdır; bu nedenle, topraklama kablosuna gerek yoktur.

Güç kablosu hasarlıysa, DEWALT yetkili servisinden temin edilebilen özel olarak hazırlanmış bir kabloyla değiştirilmelidir.

Uzatma Kablolarının Kullanımı

Kesinlikle gerekli olmadıkça bir uzatma kablosu kullanılmamalıdır. Daima şarj cihazınızın elektrik girişine uygun (**Teknik Özellikleri** bölümüne bakın), onaylı bir uzatma kablosu kullanın. Minimumum iletken boyutu 1 mm²'dir; maksimum uzunluk 30 m'dir.

Bir kablo makarası kullanırken, kabloyu daima sonuna kadar açın.

Tüm Akü Şarj Cihazları İçin Önemli Güvenlik Talimatları

BU TALİMATLARI SAKLAYIN: Bu kılavuz uyumlu şarj cihazları hakkında önemli güvenlik ve çalıştırma talimatları içerir (**Teknik Özellikleri** bölümüne bakın).

- *Şarj cihazını kullanmadan önce şarj cihazının, akünün ve üründe kullanılan akünün üzerindeki talimatları ve uyarıcı işaretleri okuyun.*



UYARI: Elektrik çarpması tehlikesi. Şarj cihazının içine sıvı kaçmasına izin vermeyin. Elektrik çarpmasına neden olabilir.



UYARI: Alet, 30mA akımı aşmayan akım kesici cihazla beraber kullanılmaya tavsiye edilir.



DİKKAT: Yanma tehlikesi. Yaralanma riskini azaltmak için, yalnızca DEWALT şarj edilebilir akülerini şarj edin. Diğer akü tipleri patlayarak yaralanmanıza veya hasar meydana gelmesine yol açabilir.



DİKKAT: Çocuklar, cihazla oynamalarını önlemek amacıyla kontrol altında tutulmalıdır.


İKAZ: Belirli koşullar altında, şarj cihazı güç kaynağına takılıyken, şarj içindeki açık şarj kontakları yabancı

maddeler tarafından kısa devre yapılabilir. Bunlarla sınırlı olmamak kaydıyla iletken nitelikteki çelik yünü, alüminyum folyo veya metal parçacık birikimi gibi yabancı maddeler şarj cihazının yuvalarından uzak tutulmalıdır. Yuvada akü yokken şarj cihazını daima güç kaynağından çıkarın. Şarj cihazının fişini temizlemeden önce çıkarın.

- **Aküyü bu kılavuzdaki şarj cihazlarından başka cihazlarla şarj etmeye ÇALIŞMAYIN.** Şarj cihazı ve akü özellikle birlikte çalışacak şekilde tasarlanmıştır.
- **Bu şarj cihazları DEWALT şarj edilebilir akülerini şarj etmekten başka kullanımlar için tasarlanmamıştır.** Başka kullanımlar yangın veya elektrik çarpmasına yol açabilir.
- **Şarj cihazını yağmura veya kara maruz bırakmayın.**
- **Şarj cihazını fişten çıkarırken kablodan değil fişten tutarak çekin.** Bu, elektrik fişine ve kablosuna hasar verilmesi riskini azaltır.
- **Kablonun üzerine basılmayacak, ortalıkta gezinmeyecek veya başka şekilde hasara ve gerginliğe maruz kalmayacak şekilde yerleştirildiğinden emin olun.**
- **Kesinlikle gerekli olmadıkça uzatma kablosu kullanmayın.** Yanlış uzatma kablosu kullanımı yangın veya elektrik çarpmasına neden olabilir.
- **Şarj cihazının üzerine herhangi bir eşya koymayın veya şarj cihazını havalandırma deliklerini kapatıp aşırı iç sıcaklığa neden olabilecek yumuşak bir yüzeye yerleştirmeyin.** Şarj cihazını herhangi bir ısı kaynağından uzaktaki bir yere koyun. Şarj cihazı muhafazanın üstündeki ve altındaki delikler aracılığıyla havalandırılır.
- **Şarj cihazını hasarlı kordon veya fişle çalıştırmayın—** bunları derhal değiştirin.
- **Şarj cihazını sert bir darbe aldıysa, düştüyse veya herhangi bir şekilde hasar gördüyse çalıştırmayın.** Yetkili bir servis merkezine götürün.
- **Şarj cihazını sökmeyin; servis veya onarım gerektiğinde yetkili bir servis merkezine götürün.** Yanlış yeniden takma elektrik çarpmasına veya yangına yol açabilir.
- **Elektrik kablosu hasarlı ise, bir tehlike oluşmasını önlemek için üretici ya da yetkili Servis Merkezi tarafından değiştirilmelidir.**
- **Herhangi bir temizlik işlemi yapmadan önce şarj cihazının fişini prizden çekin. Bu, elektrik çarpması riskini azaltır.** Aküyü çıkarmak bu riski azaltmaz.
- **ASLA 2 şarj cihazını bir arada bağlamaya çalışmayın.**
- **Şarj cihazı standart 230 V ev elektrik gücüyle çalışmak üzere tasarlanmıştır. Başka herhangi bir voltaj ile kullanmayı denemeyin.** Bu araba şarj cihazı için geçerli değildir.

Bir Bataryanın Şarj Edilmesi (Şek. [Fig.] B)

1. Bataryayı takmadan önce şarj cihazını uygun prize takın.
2. Bataryayı şarj cihazına takın, bataryanın şarj cihazına tamamen oturduğundan emin olun. Devamlı yanıp sönen kırmızı (şarj) ışık, şarj işleminin başladığını gösterir.
3. Şarjın tamamlandığı, kırmızı ışığın sürekli yanmasıyla belirtilir. Batarya tam olarak şarj edildikten sonra hemen kullanılabilir veya şarj cihazından bırakılabilir. Bataryayı şarj cihazından

çıkarmak için, bataryanın üzerindeki batarya bırakma düğmesine  basın.

NOT: Lityum iyon bataryalardan maksimum performans almak ve bataryaların kullanım ömrünü uzatmak için, ilk kullanım öncesinde tam olarak şarj edin.

Şarj Cihazının Çalışması

Bataryanın şarj durumu için aşağıdaki göstergelere bakın.

Şarj ışıkları	
 şarj edilmesi	
 tamamen şarj oldu	
 sıcak/soğuk akü gecikmesi*	

*Bu işlem esnasında kırmızı ışık yanıp sönmeye devam edecek, fakat bir sarı ışık da yanacaktır. Akü uygun bir sıcaklığa ulaştığında, sarı ışık kapanacak ve şarj aleti şarj işlemine devam edecektir.

Uyumlu şarj cihazı arızalı bir aküyü şarj etmeyecektir. Şarj cihazı lambası yanmayarak arızalı bir bataryayı gösterecektir.

NOT: Bu aynı zamanda şarj cihazının arızalı olduğu anlamına da gelebilir.

Şarj cihazı bir sorun gösteriyorsa, şarj cihazını ve akü takımını test edilme üzere yetkili bir servis merkezine gönderin.

Sıcak/Soğuk Paket Gecikmesi

Şarj aleti çok sıcak veya çok soğuk bir batarya tespit ettiğinde, otomatik olarak Sıcak/Soğuk Gecikmesini başlatarak batarya uygun sıcaklığa gelene kadar şarjı durdurur. Şarj aleti sonrasında otomatik olarak şarj moduna geçer. Bu özellik maksimum batarya ömrünü garanti eder.

Soğuk bir batarya sıcak bir bataryaya göre daha yavaş bir hızla şarj olacaktır. Akü takımı tüm şarj döngüsü boyunca daha yavaş bir hızda şarj olacaktır ve akü ısındığında bile maksimum şarj oranına geri dönmeyecektir.

Elektronik Koruma Sistemi

XR Li-Ion cihazları aşırı yük, aşırı ısınma veya tamamen boşalmadan koruyacak bir Elektronik Koruma Sistemi ile birlikte tasarlanmıştır.

Elektronik Koruma Sistemi devreye girerse alet otomatik olarak kapatılacaktır. Bu durum gerçekleşirse lityum iyon aküyü tamamen şarj olana dek bir şarj cihazının üzerine koyun.

Duvara Montaj

Bu şarj cihazları duvara monte edilebilir veya bir masa veya çalışma tezgahı üzerinde yukarı doğru durabilir şekilde tasarlanmıştır. Duvara monte edilecek şarj aletini bir elektrik prizinin yakınında veya bir köşe veya hava akımını engelleyebilecek diğer engellerden uzaktaki konumlandırın. Şarj cihazının arka tarafını montaj vidalarının duvar üzerindeki yerini belirlemek amacıyla şablon olarak kullanın. Şarj aletini (ayrıca satın alınan) en az 25,4 mm uzunluğunda ve 7–9 mm bir vida başı çapına sahip, ahşap üzerine vidalandığında vida başının açıkta olan kısmı yaklaşık 5,5 mm optimal bir derinlik bırakacak şekilde vidalayarak monte edin. Şarj cihazının arkasındaki yuvaları vidaların açıkta olan kısımlarıyla hizalayın ve onları yuvalara tam olarak oturtun.

Şarj Cihazı Temizlik Talimatları



UYARI: Elektrik çarpması tehlikesi. Temizlik

öncesinde AC çıkışı bağlantısını kesin. Şarj cihazının dış yüzeyinde kir ve yağ bir bez parçası yada metal olmayan bir fırça kullanılarak çıkarılabilir. Su veya temizlik solüsyonları kullanmayın. Aletin içine herhangi bir sıvının girmesine izin vermeyin; aletin herhangi bir parçasını bir sıvı içine daldırmayın.

Akü

Tüm Aküler İçin Önemli Güvenlik Talimatları

Yedek aküleri sipariş ederken, katalog numarasını ve voltajı eklediğinizden emin olun.

Akü, kutudan şarjı dolu olarak çıkmaz. Aküyü ve şarj cihazını kullanmadan önce, aşağıdaki güvenlik talimatlarını dikkatlice okuyun. Daha sonra belirtilen şarj işlemlerini uygulayın.

TÜM TALİMATLARI OKUYUN

- **Aküyü yanıcı sıvılar, gazlar ve tozların bulunduğu yerler gibi yanıcı ortamlarda şarj etmeyin veya kullanmayın.** Aküyü şarj cihazına takmak veya cihazdan çıkarmak toz veya dumanları tutuşturabilir.
- **Aküyü şarj cihazının içine doğru zorlamayın. Akü kırılarak ciddi kişisel yaralanmaya neden olabileceğinden akünün üzerinde hiçbir şekilde uyumsuz bir şarj cihazına uydurmak için değişiklik yapmayın.**
- Aküleri yalnızca DEWALT şarj cihazlarında şarj edin.
- **Su veya diğer sıvıları sıçratmayın veya bunlara DALDIRMAYIN.**
- **Aleti ve aküyü sıcaklığın 40 °C'ye ulaştığı veya bu sıcaklığı aştığı yerlerde (yazın dış barakalar veya metal binalar gibi) depolamayın veya kullanmayın.**
- **Önemli ölçüde hasarlı veya tamamen eskimiş olsa bile aküyü ateşe atmayın.** Akü ateşe atılırsa patlayabilir. Lityum iyon aküler yanınca zehirli buharlar ve materyaller açığa çıkar.
- **Akü içeriği cildinizle temas ederse, etkilenen alanı derhal yumuşak bir sabun ve suyla yıkayın.** Akü sıvısı gözlerinize bulaşır, gözünüzü açık tutarak 15 dakika boyunca veya tahriş hissi geçene kadar suyla yıkayın. Tıbbi yardım gerekirse, akü elektroliti sıvı organik karbonatlar ve lityum tuzları karışımından oluşmaktadır.
- **Açılan akü hücrelerinin içeriği solunum yolunu tahriş edebilir.** Ortama temiz hava girmesine sağlayın. Belirtiler geçmezse tıbbi yardım alın.



UYARI: Yanık tehlikesi. Akü sıvısı kıvılcıma veya ateşe maruz kalırsa yanıcı olabilir.



UYARI: Aküyü hiçbir nedenle asla açmayın. Akünün muhafazası çatlırsa veya hasar görürse, şarj cihazına takmayın. Aküyü çarpmayın, düşürmeyin veya pakete hasar vermeyin. Sert bir darbe almış, düşmüş, çignenmiş veya herhangi bir şekilde hasar görmüş (örn. çiviyile delinmiş, çekiçle vurulmuş veya üzerine basılmış) bir aküyü veya şarj cihazını kullanmayın. Elektrik çarpmasına yol açabilir. Hasarlı aküler geri dönüşüm için servis merkezine gönderilmelidir.



UYARI: Yangın tehlikesi. Bataryayı metal nesnelere batarya terminallerine değmeyecekleri şekilde saklayın veya taşıyın. Örneğin, bataryayı içerisinde gevşek çiviler, vidalar, anahtarlar vb. bulunan kayışlı taşıyıcı, cep, alet kutuları, ürün kiti kutuları, çekmece vb. içerisine koymayın.



DİKKAT: Aleti kullanmadığınız zaman, devrilme veya düşme tehlikesine yol açmayacağı dengeli bir yüzeye yan tarafının üzerine yerleştirin. Büyük akülere sahip bazı aletler akünün üzerinde dik durabilir, ancak bunlar kolayca devrilebilir

Nakliyat



UYARI: Yangın tehlikesi. Batarya nakliyatında, batarya kutuplarının istemsiz şekilde iletken maddelerle temas ederek yangına sebep vermesi ihtimali vardır. Batarya nakliyatı yaparken, batarya kutuplarının iyi korunduğundan ve kutuplarla temas edip kısa devreye sebep olabilecek maddelerden iyi şekilde izole edildiğinden emin olun.

NOT: Lityum-iyon piller kontrol edilmiş bagaja konmamalıdır.

DEWALT bataryalar, Tehlikeli Maddelerin Nakliyesi Hakkında BM Tavsiyeleri; Uluslararası Hava Taşımacılığı Birliği (IATA) Tehlikeli Madde Düzenlemeleri, Uluslararası Deniz Taşımacılığı Tehlikeli Madde (IMDG) Düzenlemeleri ve Uluslararası Karayoluyla Tehlikeli madde Taşıma Konulu Avrupa Anlaşması içeriklerinde belirtilen sektörel ve hukuki standartların tüm düzenlemeleriyle uyumludur. Lityum-iyon bataryalar, Tehlikeli Madde Taşımacılığı Kılavuzu Testleri ve Kriterleri Hakkındaki BM Tavsiyelerinin 38,3. bölümüne kadar test edilmiştir.

Çoğu durumda bir DEWALT bataryanın nakliyesinin tam olarak düzenlenmiş bir Sınıf 9 Tehlikeli Maddeler kapsamında sınıflandırılması beklenir. Genelde sadece 100 Watt Saat (Wh) üzeri bir enerji değerine sahip bir lityum iyon bataryayı içeren taşıma işlemlerinin tam olarak düzenlenmiş bir Sınıf 9 Tehlikeli Maddeler kapsamında sınıflandırılarak yapılması gerekmektedir. Tüm lityum iyon bataryalarda ambalajın üzerinde Watt Saati değeri mevcuttur. Buna ilave olarak, düzenlemedeki karışıklıklar nedeniyle, DEWALT lityum iyon bataryaların Watt Saati değeri göz önünde bulundurulmaksızın havayolu kargosuyla tek başına taşınmasını önermez. Bataryası bulunan aletlerin (kombo setler) havayoluyla nakliyesi ancak bataryanın sahip olduğu Watt Saati değerininin 100 Watt Saatinden yüksek olmaması şartıyla yapılabilir.

Nakliyat kapsam dışında da kalsa, tamamen düzenlenmiş de olsa, paketleme, etiketleme ve belgeleme gereklilikleri hakkındaki son düzenlemeleri takip etmek nakliyatçıların sorumluluğudur.

Kılavuzun bu bölümünde bulunan bilgiler iyi niyetle yazılmıştır ve kılavuzun hazırlandığı tarih itibarıyla doğru olduğuna inanılmaktadır. Fakat, sözlü veya zımnen hiçbir garanti verilmemektedir. Gerçekleştiği işlemlerin geçerli düzenlemelerle uyumlu olduğundan emin olmak alıcının sorumluluğundadır.

Saklama Önerileri

1. En iyi saklama ortamı serin ve kuru, doğrudan güneş ışığı almayan, aşırı sıcak ve soğuk olmayan yerlerdir. En uygun akü performansı ve ömrü için kullanımda değilken aküleri oda sıcaklığında saklayın.
2. Uzun süreli saklama için, en iyi sonuç için şarj cihazından uzak serin, kuru bir yerde tamamen dolu bir akü saklamak için tavsiye edilir.

NOT: Aküler tamamen şarj boşalmış halinde saklanmamalıdır. Akünün kullanılmadan önce yeniden şarj edilmesi gerekir.

Şarj Cihazı ve Akü Üzerindeki Etiketler

Bu kılavuzda kullanılan sembollere ilave olarak, şarj cihazı ve akü üzerinde bulunan etiketler aşağıdaki sembolleri belirtmektedir:



Aletle çalışmaya başlamadan önce bu kılavuzu okuyun.



Şarj süresi için **Teknik Özellikleri** bölümüne bakın.



İletken nesnelere temas etmeyin.



Hasarlı aküleri şarj etmeyin.



Suya maruz bırakmayın.



Hasarlı kabloların hemen değiştirilmesini sağlayın.



Sadece 4 °C ve 40 °C arasında şarj edin.



Yalnızca kapalı alanda kullanım icindir.



Aküleri çevremize gerekli ozeni göstererek atın.



DEWALT aküler, yalnızca onlar için tasarlanmış olan DEWALT şarj cihazlarında şarj edin. DEWALT aküleri haricindeki akülerin DEWALT şarj cihazlarıyla şarj edilmesi patlamalarına veya diğer tehlikeli durumların ortaya çıkmasına sebep olabilir.



Aküyü ateşe atmayın.



Akü tipi

DCD700 ve 12 volt akülerle çalışır.

Bu bataryalar kullanılmalıdır: DCB122, DCB124, DCB125, DCB127. Daha fazla bilgi için **Teknik Özellikleri** bölümüne bakın.

Ambalaj İçeriği

Ambalaj, aşağıdaki parçaları içermektedir:

- 1 Şarjlı matkap/tornavida
- 1 Şarj cihazı
- 2 Li-Ion akü
- 1 Taşıma çantası
- 1 Li-Iyon batarya (C1, D1, L1, M1, P1, S1, T1, X1, Y1 modelleri)
- 2 Li-Iyon bataryalar (C2, D2, L2, M2, P2, S2, T2, X2, Y2 modelleri)
- 3 Li-Iyon bataryalar (C3, D3, L3, M3, P3, S3, T3, X3, Y3 modelleri)
- 1 Kullanım kılavuzu

NOT: Bataryalar, şarj cihazları ve alet kutuları N modellerinde bulunmaz. Bataryalar ve şarj cihazları NT modellerinde bulunmaz. B modelleri Bluetooth® bataryaları içerir.

NOT: Bluetooth® kelimesi tescilli ve logoları Bluetooth®, SIG, Inc.'in tescilli markalarıdır ve bunların DEWALT tarafından kullanımı lisanslıdır. Diğer ticari markalar ve ticari isimler ilgili sahibine aittir.

- Alet, parçalar ve aksesuarlarda nakliye sırasında hasar oluşup oluşmadığını kontrol edin.
- Çalıştırmadan önce bu kılavuzu iyice okuyup anlamak için zaman ayırın.

Alet Üzerindeki Etiketler

Alet üzerinde, aşağıdaki uyarı sembolleri bulunmaktadır:



Aletle çalışmaya başlamadan önce bu kılavuzu okuyun.



Görünür radyasyon. Işığa bakmayın.

Tarih Kodu Konumu

İmalat yılını da içeren Tarih Kodu gövdeye basılıdır.

Örnek:

2019 XX XX

İmalat Yılı

Açıklama (Şek. A)



UYARI: Hiçbir zaman elektrikli aleti veya herhangi bir parçasını değiştirmeyin. Hasarla veya yaralanmayla sonuçlanabilir.

- 1 Değişken hız ayarlı tetik
- 2 İleri/geri düğmesi
- 3 Tork ayarlama bileziği
- 4 Vites mandalı
- 5 Anahtarsız mandren
- 6 Akü serbest bırakma düğmesi
- 7 Akü
- 8 Çalışma ışığı

Kullanım Amacı

Bu matkap/tornavida hafif hizmet tipi delme ve vidalama uygulamaları için tasarlanmıştır.

Islak koşullarda veya yanıcı sıvı ya da gazların mevcut olduğu ortamlarda **KULLANMAYIN**.

Bu matkap/tornavida profesyonel bir elektrikli alettir.

Çocukların aleti ellemesine **İZİN VERMEYİN**. Bu alet deneyimsiz kullanıcılar tarafından kullanılırken nezaret edilmelidir.

- Bu ürün fiziksel ve zihinsel kapasitesinin yanı sıra algılama gücü azalmış olan veya yeterince deneyim ve bilgisi bulunmayan kişiler (çocuklar dahil) tarafından kullanılmak üzere üretilmemiştir. Bu tür kişiler ürünü ancak güvenliklerinden sorumlu bir kişi tarafından cihazın kullanımıyla ilgili talimatların verilmesi veya sürekli kontrol altında tutulması durumunda kullanabilir. Çocuklar, bu ürün ile kontrol altında tutulmalıdır.

MONTAJ VE AYARLAMALAR



UYARI: Ciddi yaralanma riskini azaltmak için herhangi bir ayar yapmadan ya da parça veya aksesuarları söküp takmadan önce aleti kapatın ve aküyü ayırın. Aletin yanlışlıkla çalıştırılması yaralanmaya neden olabilir.



UYARI: Yalnızca DEWALT akü ve şarj cihazlarını kullanın.

Alete Akü Takma Ve Çıkartma (Şek. B)

NOT: Akünün 7 tamamen şarjlı olduğundan emin olun.

Aküyü Aletin Koluna Takma

1. Aküyü 7 kolun içindeki raylarla hizalayın (Şek. B).
2. Aküyü, yerine oturduğunu duyana kadar ve alette tamamen oturana kadar kolun içine kaydırın.

Aküyü Aletten Çıkarma

1. Serbest bırakma düğmesine 6 basın ve aküyü sıkıca çekerek aletin kolundan çıkarın.
2. Aküyü bu kılavuzun şarj cihazı kısmında açıklandığı gibi şarj cihazına takın.

Akü Şarj Seviyesi Göstergesi (Şek. B)

Bazı DEWALT aküler, aküde kalan şarj seviyesini gösteren üç yeşil LED ışından oluşan bir şarj seviyesi göstergesini içerir.

Şarj seviyesi göstergesini çalıştırmak için gösterge düğmesine basın ve basılı tutun. Üç yeşil LED ışığının bir kombinasyonu kalan şarj seviyesini gösterecek şekilde yanacaktır. Aküdeki şarj seviyesi kullanılabilir limitin altındayken, gösterge yanmaz ve akünün şarj edilmesi gerekir.

NOT: Bu gösterge sadece aküde kalan şarj seviyesini gösterir. Bu alet işlevini göstermez; ürün parçaları, sıcaklık ve son kullanıcı uygulamaya göre değişime tabidir.

KULLANMA

Kullanma Talimatları



UYARI: Güvenlik talimatlarına ve geçerli yönetmeliklere daima uyun.



UYARI: Ciddi yaralanma riskini azaltmak için herhangi bir ayar yapmadan ya da parça veya aksesuarları söküp takmadan önce aleti kapatın ve aküyü ayırın. Aletin yanlışlıkla çalıştırılması yaralanmaya neden olabilir.

Uygun El Pozisyonu (Şek. G)



UYARI: Ciddi yaralanma riskini azaltmak için, **DAİMA** şekilde gösterilen uygun el pozisyonunu kullanın.



UYARI: Ciddi yaralanma riskini azaltmak için, ani tepki ihtimaline karşı aleti **DAİMA** sıkıca tutun.

Doğru el pozisyonu bir elin ana kol 9 üzerinde olduğu konumdur.

Değişken Hız Ayarlı Tetik (Şek. A)

Aleti açmak için tetiğe 1 basın. Aleti kapatmak için tetiği bırakın. Aletiniz motor freni ile donatılmıştır. Tetiği tamamen bıraktıktan sonra mandren duracaktır.

Değişken hız ayarlı tetik belirli bir uygulama için en iyi hız seçmenizi sağlar. Ne kadar fazla tetiğe basarsanız, alet o kadar hızlı çalışacaktır. Maksimum uzun alet ömrü için değişken hız ayarını sadece delik delmeye veya vida sıkıya başlarken kullanın.

NOT: Değişken hız aralığında sürekli kullanım önerilmez. Bu tetiğe zarar verebilir ve kaçınılmalıdır.

İleri/Geri Kontrol Düğmesi (Şek. A)

Bir ileri/geri kontrol düğmesi 2 aletin yönünü belirler ve aynı zamanda kilitleme düğmesi olarak görev yapar.

İleri dönüşü seçmek için, tetik düğmesini bırakın ve aletin sağ tarafındaki ileri/geri kontrol düğmesine basın.

Geriye seçmek için, aletin sol tarafındaki ileri/geri kontrol düğmesine basın. Kontrol düğmesinin ortadaki konumu aleti kapalı konumda kilitlet. Kontrol düğmesinin konumunu değiştiren, tetiğin serbest olduğundan emin olun.

NOT: Dönüş yönü değiştirildikten sonra alet ilk kez çalıştırıldığında, başlangıçta bir tık sesi duyabilirsiniz. Bu normaldir ve bir sorunu göstermez.

Çalışma Işığı (Şek. A)

Tork ayarlamaya bileziğinin 3 altında bir çalışma ışığı 8 bulunmaktadır. Tetik düğmesine basıldığında çalışma ışığı devreye girer.

NOT: Bu ışık sadece çalışma alanını aydınlatmak için tasarlanmıştır; fener olarak kullanım için değildir.

Tork Ayarlama Bileziği (Şek. A)

Tork ayarlama bileziği 3 sayılarla ve bir matkap ucu simgesiyle açıkça işaretlenmiştir. Bilezik, istenen ayar aletin üstüne gelene kadar çevrilmelidir. Sabitleme torkunu seçerken tahmini ortadan kaldırmak için bilezikte yer bulucular sunulmuştur. Bileziğin üzerindeki sayı ne kadar büyükse, tork o kadar yüksek ve vidalanacak sabitleyici o kadar büyüktür. Kavramayı delme işlemleri için kilitlemek için matkap ucu konumuna getirin.

NOT: Matkap/tornavidayı delik delmek için kullanırken, Tork ayarlama bileziğinin matkap simgesine ayarlanmış ve aletin üst kısmındaki merkez çizgisiyle hizalanmış olduğundan emin olun. Bunun yapılması, delik delme işlemi sırasında kavramanın kaymasına neden olur.

İki Vitesli Şanzıman (Şek. A, C)

Matkap/tornavidanız iki hızlı vites kutusu özelliği ile çok amaçlı kullanım için vitesler arasında geçiş yapmanızı sağlar. Düşük vitesi (yüksek tork ayarı) seçmek için aleti kapatın ve durmasını bekleyin. Vites mandalını 4 ileriye (mandrene doğru) kaydırın. Yüksek vitesi (düşük tork ayarı) seçmek için aleti kapatın ve durmasını bekleyin. Vites mandalını geriye (mandrenden uzağa) kaydırın.

NOT: Alet çalışırken vites değiştirmeyin. Vites değiştirmekte zorluk yaşıyorsanız, vites mandalının tamamen ileriye veya geride olduğundan emin olun.

Tek kovanlı anahtarsız mandren (Şek. D)

Aletiniz, mandrenin tek elle kullanılması için tek döner kovanlı anahtarsız mandren kullanmaktadır. Matkap ucunu veya başka bir aksesuarı takmak için aşağıdaki adımları izleyin.

1. Yukarıda açıklandığı gibi tetiği kapalı konumunda kilitleyin.
2. Bir elinizle mandreni siyah kısmından diğer elinizle de aleti tutun. Kovanı, istenen aksesuarı takmak için yeteri kadar açılana kadar saatin ters yönünde çevirin.
3. Aksesuar yaklaşık 19 mm mandren içine sokun ve bir elle aleti tutarken diğer elle mandreni saat yönünde çevirerek sıkın. Alet bir mil kilidi mekanizmasıyla donatılmıştır. Bu, bir elinizle mandreni açıp kapatmanızı sağlar.

Aksesuarı çıkarmak için, yukarıdaki 2. adımı tekrarlayın.



UYARI: Mandrenin ön kısmını tutarak ve aleti çalıştırarak matkap uçları (veya başka bir aksesuarı) sıkıyana kalkışmayın. Bu yaralanmaya veya mandren hasarına yol açabilir. Aksesuar değiştirirken daima tetik düğmesini kilitleyin.

Azami sıklık için mandreni, mutlaka bir elinizle mandren kovanını diğer elinizle aleti tutarak sıkın.

Mandren Çıkartılması (Şek. E)

Ayarlamaya bileziğini "matkap" konumuna ve vites mandalını

1. konumuna (düşük hız) ayarlayın. 6 mm veya daha büyük bir altıgen anahtarın kısa ucunu (birlikte verilmez) mandrene sıkıştırın. Aşşap bir tokmak veya benzeri nesneyle gösterildiği gibi, anahtarın uzun ucuna saat yönünde vurun. Bu, mandren içindeki vidayı gevşetir.

Mandren dişlerini tamamen açın, vida kafasını kavramak için bir tornavidayı (veya gerekirse tork anahtarını) mandren dişleri arasından sokun. Vidayı saat yönünde (sol vida) çevirerek sökün. Şek. E'da gösterildiği gibi altıgen anahtar mandren için yerleştirip sıkın. Bir aşşap tokmak veya benzer nesne kullanarak, anahtara saat yönü tersi istikametinde sertçe vurun. Bu, mandreni elle sökülecek kadar gevşetir.

Mandren Takılması (Şek. F)

Mandreni gidebildiği kadar elle vidalayın ve vidayı (sol vida) takın. Vidayı iyice sıkın. 6 mm veya daha büyük bir altıgen anahtarın (birlikte verilmez) kısa ucunu mandrene sıkıştırın, anahtarın uzun ucuna gösterildiği şekilde aşşap bir tokmakla saat yönünde vurun. Vidayı saat yönü tersi istikametinde tekrar sıkın.

Delme İşlemi



UYARI: Ciddi yaralanma riskini azaltmak için herhangi bir ayar yapmadan ya da parça veya aksesuarları söküp takmadan önce aleti kapatın ve güç kaynağından ayırın.



UYARI: Kişisel yaralanma riskini azaltmak için, DAİMA üzerinde çalışılan parçanın sıkıca sabitlendiğinden veya sıkıştırıldığından emin olun. İnce malzemeleri deliyorsanız, malzemenin hasar görmesini engellemek için aşşap bir "destekleme" bloğu kullanın.

Ayarlama bileziğini matkap ucu simgesine getirin. Planlanan işleme uygun hız ve tork seçmek için vites mandalını kullanarak istenilen hız/tork aralığını seçin.

1. Yalnızca keskin matkap uçları kullanın. AHŞAP için, aşşap matkap ucu, geniş ağızlı matkap ucu veya delik testere kullanın. METAL için, yüksek hızlı çelik matkap ucu veya delik testere kullanın.
2. Her zaman ucla düz bir çizgi halinde basınç uygulayın. Matkabın delmesini sürdürmesine yetecek, ancak motoru durdurmuyacak veya ucu saptırmayacak derecede basınç uygulayın.
3. Matkabın dönme hareketini kontrol etmek için aleti iki elinizle sıkıca tutun.



UYARI: Matkap ani bir dönmeye neden olacak şekilde aşırı yüklendiyse durabilir. Her zaman durmasını bekleyin. Dönme hareketini kontrol edip yaralanmayı önlemek için matkabı iki elinizle sıkıca kavrayın.

4. **MATKAP DURURSA**, bunun nedeni genellikle aşırı yüklenmesi veya yanlış kullanılmasıdır. **TETİĞİ DERHAL BIRAKIN**, ucu çıkarın ve durma nedenini belirleyin. **DURMUŞ BİR MATKABI ÇALIŞTIRMAK İÇİN TETİĞİ AÇIP KAPATMAYIN — BU, MATKABA ZARAR VEREBİLİR.**
5. Durmayı veya malzemenin kırılmasını en aza indirmek için, matkabın üzerindeki basıncı azaltın ve ucu deliğin son parçasının içinden çıkarın.
6. Ucu bir delinmiş delikten dışarıya doğru çekerken motoru çalışır durumda tutun. Bu, sıkışmayı önlemeye yardımcı olur.
7. Değişken hızlı matkaplarda, delinecek noktayı ortalamaya gerek yoktur. Bir deliği açmaya başlamak için düşük hız kullanın ve delik uç kaymayacak kadar derin olduğunda tetiği daha sert sıkarak hızlandırın.

Vidalama İşlemi

Planlanan işleme uygun hız ve tork seçmek için aletin üst kısmındaki iki hızlı vites mandalını kullanarak istenilen hız/tork aralığını seçin.

İstedığınız sabitleyici aksesuarını herhangi bir matkap ucunu taktığınız gibi mandrene takın. Tork ayar bileziğinin doğru konumunu belirlemek için artık malzemelerin veya görünmeyen bölgelerin üzerinde birkaç deneme yapın.

ÖNERİLEN MAKSİMUM KAPASİTELER

	Düşük Hız–1	Yüksek Hız–2
Uçlar, Metal Delme	6,35 mm	3,18 mm
Ahşap, Düz Delme	19,05 mm	12,7 mm
Delik Testereler	19,05 mm	15,88 mm

BAKIM

Elektrikli aletiniz minimum bakımla uzun bir süre çalışacak şekilde tasarlanmıştır. Kesintisiz olarak memnuniyet verici bir şekilde çalışması gerekli özenin gösterilmesine ve düzenli temizliğe bağlıdır.



UYARI: Ciddi yaralanma riskini azaltmak için herhangi bir ayar yapmadan ya da parça veya aksesuarları söküp takmadan önce aleti kapatın ve aküyü ayırın. Aletin yanlışlıkla çalıştırılması yaralanmaya neden olabilir.

Şarj cihazı ve akü bakım gerektirmezler.



Yağlama

Elektrikli aletiniz ek bir yağlama gerektirmemektedir.



Temizleme



UYARI: Havalandırma deliklerinde ve etrafında toz toplanması halinde bu tozu ve kırı kuru hava kullanarak ana gövdeden uzaklaştırın. Bu işlemi gerçekleştirirken onaylı bir göz koruması ve onaylı toz maskesi takın.



UYARI: Aletin metalik olmayan parçalarını temizlemek için asla çözücü veya başka sert kimyasal kullanmayın. Bu kimyasallar bu parçalarda kullanılan malzemeleri güçsüzdendirir. Yalnızca su ve yumuşak sabunla nemlendirilmiş bir bez kullanın. Aletin içine herhangi bir sıvının girmesine izin vermeyin; aletin herhangi bir parçasını bir sıvı içine daldırmayın.

İlave Aksesuarlar



UYARI: DEWALT tarafından tedarik veya tavsiye edilenlerin dışındaki aksesuarlar bu ürün üzerinde test edilmediğinden, söz konusu aksesuarların bu aletle birlikte kullanılması tehlikeli olabilir. Yaralanma riskini azaltmak için bu ürünle birlikte sadece DEWALT tarafından tavsiye edilen aksesuarlar kullanılmalıdır.

Uygun aksesuarlarla ilgili daha fazla bilgi almak için satış noktalarıyla görüşün.

Çevrenin Korunması



Aynı toplama. Bu işaretlenmiş simgeyle ürün ve piller normal evsel atıklarla birlikte çöpe atılmamalıdır.



Bazı malzemeleri içeren ürün ve piller geri dönüştürülebilir veya geri kazanılabilir, bu da bazı hammaddeler için talebi azaltabilir. Lütfen elektrikli ürünleri ve pilleri yerel yasal mevzuata uygun şekilde geri dönüşüme tabi tutun. Daha ayrıntılı bilgiler www.2helpU.com adresinde mevcuttur.

Şarj Edilebilir Aküler

Bu uzun ömürlü akü, daha önce kolayca yapılan işlerde yeterince güç üretemeyecek duruma geldiğinde şarj edilmelidir.

Teknik ömürlerinin sonunda, aküleri çevremize gerekli özeni göstererek atın:

- Aküyü bitene kadar aleti çalıştırın, sonra aletten çıkartın.
- Lityum İyon hücreler geri dönüştürülebilir. Bunları yetkili servise veya yerel toplama merkezine teslim edin. Toplanan aküler geri dönüştürülecek veya uygun şekilde atılacaktır.

Sanayi ve Ticaret Bakanlığı tebliğince kullanım ömrü 7 yıldır.

Türkiye Distribütörü

Stanley Black & Decker Turkey Alet Üretim San. Tic. Ltd.Şti.

AND Kozyatağı - İçerenköy Mah. Umut Sok. AND Ofis Sit. No:
10-12 / 82-83-84

Ataşehir/İstanbul, Türkiye

Tel: +90 216 665 2900

Faks: +90 216 665 2901

www.dewalt.com.tr

info-tr@sbdinc.com

DEWALT GARANTİ BELGESİ

İTHALATÇI FİRMA

Ünvanı : STANLEY BLACK&DECKER TURKEY ALET ÜRETİM SAN. TIC. LTD.ŞTİ.
Adresi : AND Kozyatağı - İçerenköy Mah. Umut Sok. AND Ofis Sit. No: 10-12 / 82-83-84
 Ataşehir/İstanbul, TURKEY
Telefon No. : 0216 665 29 00
Faks No. : 0216 665 29 01
E-mail : info-tr@sbdinc.com

STANLEY BLACK & DECKER TURKEY
 AND KOZYATAĞI - İÇERENKÖY MAH. UMUT SOK. AND OFİS SİT. NO: 10-12 / 82-83-84
 ATAŞEHİR/İSTANBUL, TÜRKİYE
 T.C. İÇİŞLERİ BAKANLIĞI
 İÇİŞLERİ GENEL MÜDÜRLÜĞÜ
 İÇİŞLERİ TİCARET SİSTEMİ

ÜRÜNÜN

Cinsi :
Markası : **DEWALT**
Modeli :
Seri Numarası :
Garanti Süresi : 2 YIL
Azami Tamir Süresi : 20 İŞ GÜNÜ

SATICI FİRMANIN

Ünvanı :
Adresi :
Telefon No. :
Faks No. :
Fatura Tarih ve No. :
Ürün Teslim Tarihi :
Ürün Teslim Yeri :
Belgeyi Dolduranın Adı Soyadı :

Kaşe - Yetkili İmza

GARANTİ ŞARTLARI

- Garanti süresi, malın teslim tarihinden itibaren başlar ve 2 yıldır.
- Malın bütün parçaları dahil olmak üzere tamamı firmamızın garantisine kapsamındadır.
- Malın ayıplı olduğunun anlaşılması durumunda tüketicici, 6502 sayılı Tüketicici Korunması Hakkında Kanunun 11 inci maddesinde yer alan;
 - Sözleşmeden dönme,
 - Satış bedelinden indirim isteme
 - Ücretsiz onarılmasını isteme
 - Satılanın ayıpsız bir misli ile değiştirilmesini isteme,
 haklarından birini kullanabilir.
- Tüketicinin bu haklardan ücretsiz onarım hakkını seçmesi durumunda satıcı; işçilik masrafı, değiştirilen parça bedeli ya da başka herhangi bir ad altında hiçbir ücret talep etmeksizin malın onarımını yapmak veya yaptırmakla yükümlüdür. Tüketicici ücretsiz onarım hakkını üretici veya ithalatçıya karşı da kullanabilir.
 Satıcı, üretici ve ithalatçı tüketicinin bu hakkını kullanmasından müteselsilen sorumludur.
- Tüketicinin, ücretsiz onarım hakkını kullanması halinde malın;
 - Garanti süresi içinde tekrar arızalanması,
 - Tamiri için gereken azami sürenin aşılması,
 - Tamirinin mümkün olmadığının, yetkili servis istasyonu, satıcı, üretici veya ithalatçı tarafından bir raporla belirlenmesi
 durumlarında; tüketicici malın bedel iadesini, ayıp oranında bedel indirimi veya imkan varsa malın ayıpsız misli ile değiştirilmesini satıcıdan talep edebilir.
- Satıcı, tüketicinin talebini reddedemez. Bu talebin yerine getirilmemesi durumunda satıcı, üretici ve ithalatçı müteselsilen sorumludur.
- Malın tamir süresi 20 iş gününü geçemez. Bu süre, garanti süresi içerisinde mala ilişkin arızanın yetkili servis istasyonuna veya satıcıya bildirim tarihinde, garanti süresi dışında ise malın yetkili servis istasyonuna teslim tarihinden itibaren başlar. Malın arızasının 10 iş günü içerisinde giderilmemesi halinde, üretici veya ithalatçı; malın tamiri tamamlanmaya kadar, benzer özelliklere sahip başka bir malı tüketicinin kullanımına tahsis etmek zorundadır. Malın garanti süresi içerisinde arızalanması durumunda, tamirde geçen süre garanti süresine eklenir.
- Malın kullanma kılavuzunda yer alan hususlara aykırı kullanılmasından kaynaklanan arızalar garanti kapsamı dışındadır.
 - Garanti kapsam şartları ;
 - Ürün hatalı kullanılmamıştır.
 - Ürün yıpranmamış, hırpalanmamış ve aşınmamıştır.
 - Yetkili olmayan kişilerce tamire çalışmamıştır.
 - Satın alma belgesi (fatura) ibraz edilmiştir.
 - Ürün, tüm orijinal parçaları ile iade edilmiştir.
- Tüketicici, garantiden doğan haklarının kullanılması ile ilgili olarak çıkabilecek uyuşmazlıklarda yerleşim yerinin bulunduğu veya tüketicici işleminin yapıldığı yerdeki Tüketicici Hakem Heyetine veya Tüketicici Mahkemesine başvurabilir.
- Satıcı tarafından bu Garanti Belgesinin verilmemesi durumunda, tüketicici Gümrük ve Ticaret Bakanlığı Tüketicinin Korunması ve Piyasa Gözetimi Genel Müdürlüğüne başvurabilir.

EEE Yönetmeliğine uygundur.

KULLANMA KILAVUZU İÇİN EK BİLGİLER

-Taşıma ve nakliye sırasında dikkat edilecek hususlar;
Cihazı taşıma ve nakliye esnasında hasar verecek şekilde taşınmamalı, bir yerden bir yere fırlatılmamalı, istifleme yapılırken dikkat edilmeli.

-Gümrük ve Ticaret Bakanlığı uyarınca belirlenen kullanım ömürleri aşağıdaki gibidir;

Testere Makineleri	7 yıl
Polisaj Makineleri	7 yıl
Matkaplar	7 yıl
Vidalama Makineleri	7 yıl
Zımpara Makineleri	7 yıl

-Malın ayıplı olduğunun anlaşılması durumunda tüketici, 6502 sayılı Tüketici Korunması Hakkında Kanununun 11 inci maddesinde yer alan;

a- Sözleşmeden dönme,

b-Satış bedelinden indirim isteme

c-Ücretsiz onarılmasını isteme

d-Satılanın ayıpsız bir misli ile değiştirilmesini isteme,

haklarından birini kullanabilir.

-Tüketici, garantiden doğan haklarının kullanılması ile ilgili olarak çıkabilecek uyuşmazlıklarda yerleşim yerinin bulunduğu veya tüketici işleminin yapıldığı yerdeki Tüketici Hakem Heyetine veya Tüketici Mahkemesine başvurabilir.

