

DEWALT®

www.DEWALT.com

D25820

English (*original instructions*)

3

Français (*traduction de la notice d'instructions originale*)

7

العربية: (مترجم عن التعليمات الأصلية)

12

Figure A

شکل A

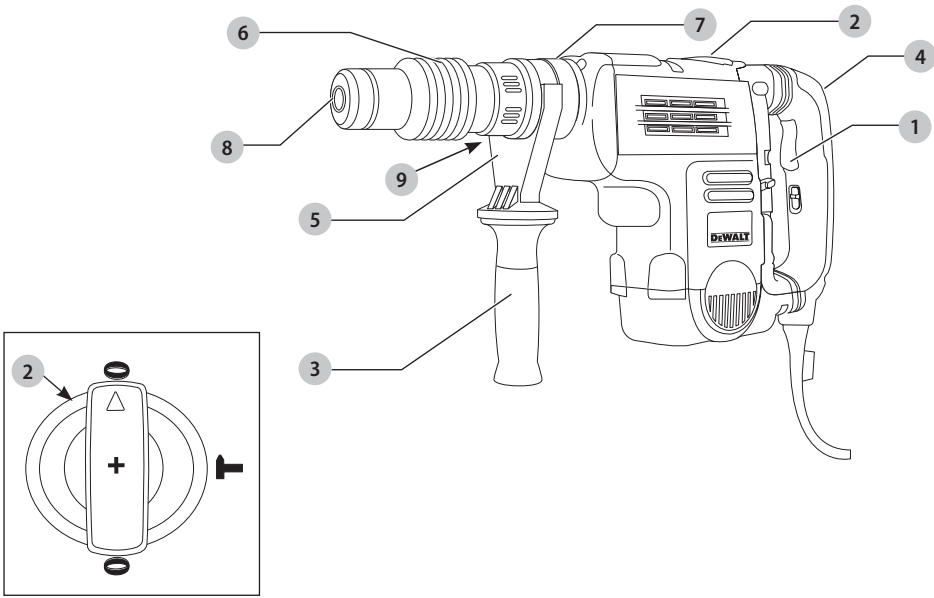


Figure B

شکل B

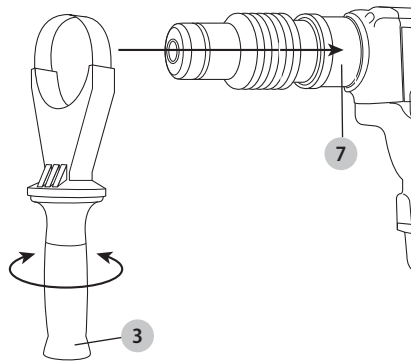


Figure C1

شکل C1

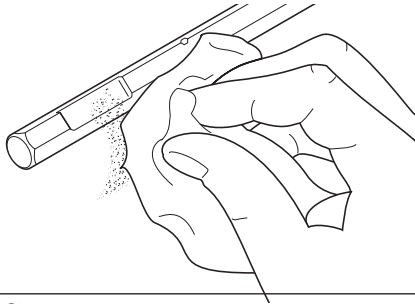


Figure C2

شکل C2

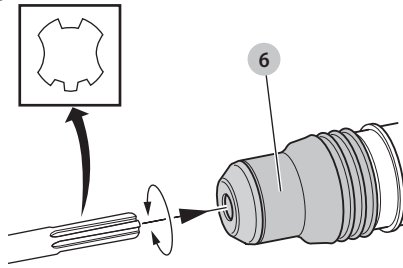


Figure D

شکل D

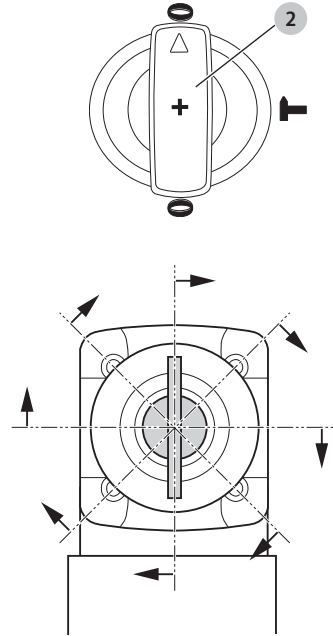
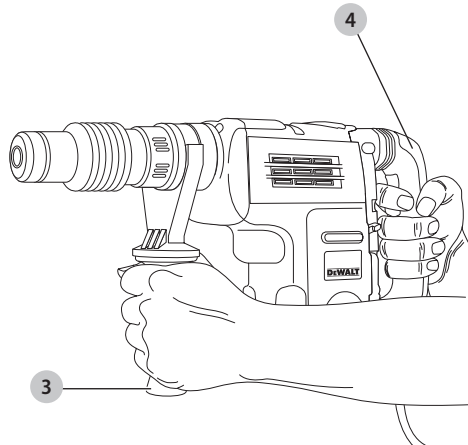


Figure E

شکل E



SDS MAX CHIPPING HAMMER

D25820

Congratulations!

You have chosen a DEWALT tool. Years of experience, thorough product development and innovation make DEWALT one of the most reliable partners for professional power tool users.

Technical Data

		D25820
Voltage	V _{AC}	220/240 120
Type		2
Power input	W	1150
Frequency	Hz	50
Single impact energy (EPTA 05/2009)	J	8
No load beats per-minute	bpm	2740
Chisel positions		18
Tool holder		SDS Max
Weight	kg	5.8

Definitions: Safety Guidelines

The definitions below describe the level of severity for each signal word. Please read the manual and pay attention to these symbols.



DANGER: Indicates an imminently hazardous situation which, if not avoided, **will** result in **death or serious injury**.



WARNING: Indicates a potentially hazardous situation which, if not avoided, **could** result in **death or serious injury**.



CAUTION: Indicates a potentially hazardous situation which, if not avoided, **may** result in **minor or moderate injury**.

NOTICE: Indicates a practice **not related to personal injury** which, if not avoided, **may** result in **property damage**.



Denotes risk of electric shock.



Denotes risk of fire.



WARNING: To reduce the risk of injury, read the instruction manual.

General Power Tool Safety Warnings



WARNING: Read all safety warnings and all instructions. Failure to follow the warnings and instructions may result in electric shock, fire and/or serious injury.

SAVE ALL WARNINGS AND INSTRUCTIONS FOR FUTURE REFERENCE

The term "power tool" in the warnings refers to your mains-operated (corded) power tool or battery-operated (cordless) power tool.

1) Work area safety

- Keep work area clean and well lit.** Cluttered or dark areas invite accidents.
- Do not operate power tools in explosive atmospheres, such as in the presence of flammable liquids, gases or dust.** Power tools create sparks which may ignite the dust or fumes.
- Keep children and bystanders away while operating a power tool.** Distractions can cause you to lose control.

2) Electrical safety

- Power tool plugs must match the outlet. Never modify the plug in any way. Do not use any adapter plugs with earthed (grounded) power tools.** Unmodified plugs and matching outlets will reduce risk of electric shock.
- Avoid body contact with earthed or grounded surfaces such as pipes, radiators, ranges and refrigerators.** There is an increased risk of electric shock if your body is earthed or grounded.
- Do not expose power tools to rain or wet conditions.** Water entering a power tool will increase the risk of electric shock.
- Do not abuse the cord. Never use the cord for carrying, pulling or unplugging the power tool. Keep cord away from heat, oil, sharp edges or moving parts.** Damaged or entangled cords increase the risk of electric shock.
- When operating a power tool outdoors, use an extension cord suitable for outdoor use.** Use of a cord suitable for outdoor use reduces the risk of electric shock.
- If operating a power tool in a damp location is unavoidable, use a residual current device (RCD) protected supply.** Use of an RCD reduces the risk of electric shock.

3) Personal safety

- Stay alert, watch what you are doing and use common sense when operating a power tool. Do not use a power tool while you are tired or under the influence of drugs, alcohol or medication.** A moment of inattention while operating power tools may result in serious personal injury.
- Use personal protective equipment. Always wear eye protection.** Protective equipment such as dust mask, non-skid safety shoes, hard hat, or hearing protection used for appropriate conditions will reduce personal injuries.
- Prevent unintentional starting. Ensure the switch is in the off position before connecting to power**

source and/or battery pack, picking up or carrying the tool. Carrying power tools with your finger on the switch or energising power tools that have the switch on invites accidents.

- d) **Remove any adjusting key or wrench before turning the power tool on.** A wrench or a key left attached to a rotating part of the power tool may result in personal injury.
- e) **Do not overreach. Keep proper footing and balance at all times.** This enables better control of the power tool in unexpected situations.
- f) **Dress properly. Do not wear loose clothing or jewellery. Keep your hair, clothing and gloves away from moving parts.** Loose clothes, jewellery or long hair can be caught in moving parts.
- g) **If devices are provided for the connection of dust extraction and collection facilities, ensure these are connected and properly used.** Use of dust collection can reduce dust-related hazards.

4) Power tool use and care

- a) **Do not force the power tool. Use the correct power tool for your application.** The correct power tool will do the job better and safer at the rate for which it was designed.
- b) **Do not use the power tool if the switch does not turn it on and off.** Any power tool that cannot be controlled with the switch is dangerous and must be repaired.
- c) **Disconnect the plug from the power source and/or the battery pack from the power tool before making any adjustments, changing accessories, or storing power tools.** Such preventive safety measures reduce the risk of starting the power tool accidentally.
- d) **Store idle power tools out of the reach of children and do not allow persons unfamiliar with the power tool or these instructions to operate the power tool.** Power tools are dangerous in the hands of untrained users.
- e) **Maintain power tools. Check for misalignment or binding of moving parts, breakage of parts and any other condition that may affect the power tool's operation. If damaged, have the power tool repaired before use.** Many accidents are caused by poorly maintained power tools.
- f) **Keep cutting tools sharp and clean.** Properly maintained cutting tools with sharp cutting edges are less likely to bind and are easier to control.
- g) **Use the power tool, accessories and tool bits etc., in accordance with these instructions taking into account the working conditions and the work to be performed.** Use of the power tool for operations different from those intended could result in a hazardous situation.

5) Service

- a) **Have your power tool serviced by a qualified repair person using only identical replacement parts.** This will ensure that the safety of the power tool is maintained.

Additional Safety Instructions for Chipping Hammers

- **Wear ear protectors.** Exposure to noise can cause hearing loss.
- **Use auxiliary handle 3, if supplied with the tool.** Loss of control can cause personal injury.
- **Hold power tool by insulated gripping surfaces, when performing an operation where the cutting accessory may contact hidden wiring or its own cord.** Cutting accessory contacting a "live" wire may make exposed metal parts of the power tool "live" and could give the operator an electric shock.



WARNING: We recommend the use of a residual current device with a residual current rating of 30mA or less.

Residual Risks

The following risks are inherent to the use of chipping hammers:

- *Injuries caused by touching the hot parts of the tool*
- In spite of the application of the relevant safety regulations and the implementation of safety devices, certain residual risks cannot be avoided. These are:
- *Impairment of hearing.*
 - *Risk of squeezing fingers when changing the accessory.*
 - *Health hazards caused by breathing dust developed when working in concrete and/or masonry.*

Electrical Safety

The electric motor has been designed for one voltage only. Always check that the power supply corresponds to the voltage on the rating plate.



Your DEWALT tool is double insulated in accordance with EN60745; therefore no earth wire is required.



WARNING: 120V units have to be operated via a fail-safe isolating transformer with an earth screen between the primary and secondary winding.

If the supply cord is damaged, it must be replaced by a specially prepared cord available through the DEWALT service organisation.

Mains Plug Replacement (Middle East and Africa)

If a new mains plug needs to be fitted:

- Safely dispose of the old plug.
- Connect the brown lead to the live terminal in the plug.
- Connect the blue lead to the neutral terminal.



WARNING: No connection is to be made to the earth terminal.

Follow the fitting instructions supplied with good quality plugs. Recommended fuse: 13 A.

Using an Extension Cable

An extension cord should not be used unless absolutely necessary. Use an approved extension cable suitable for the

power input of this tool (see **Technical Data**). The minimum conductor size is 1.5 mm²; the maximum length is 30 m.
When using a cable reel, always unwind the cable completely.

Package Contents

The package contains:

- 1 Chipping hammer
 - 1 Side handle
 - 1 Kitbox (K-models only)
 - 1 Instruction manual
- Check for damage to the tool, parts or accessories which may have occurred during transport.
 - Take the time to thoroughly read and understand this manual prior to operation.

Markings on Tool

The following pictograms are shown on the tool:



Read instruction manual before use.



Wear ear protection.



Wear eye protection.

Date Code Position (Fig. A)

The date code **9**, which also includes the year of manufacture, is printed into the housing.

Example:

2017 XX XX
Year of Manufacture

Description (Fig. A, B)



WARNING: Never modify the power tool or any part of it. Damage or personal injury could result.

- 1 On/off rocker switch
- 2 Mode selector switch
- 3 Side handle
- 4 Main handle
- 5 Side handle clamp
- 6 Locking sleeve
- 7 Collar
- 8 Tool holder

Intended Use

Your chipping hammer has been designed for professional chipping, chiselling and demolition applications.

DO NOT use under wet conditions or in the presence of flammable liquids or gases.

These hammers are professional power tools.

DO NOT let children come into contact with the tool. Supervision is required when inexperienced operators use this tool.

- This product is not intended for use by persons (including children) suffering from diminished physical, sensory or mental abilities; lack of experience, knowledge or skills unless they are supervised by a person responsible for their safety. Children should never be left alone with this product.

ASSEMBLY AND ADJUSTMENTS



WARNING: To reduce the risk of serious personal injury, turn tool off and disconnect tool from power source before making any adjustments or removing/installing attachments or accessories. Be sure the trigger switch is in the OFF position. An accidental start-up can cause injury.



WARNING: Tool bits may be hot and gloves should be worn when changing or removing them to avoid personal injury.

Fitting the Side Handle (Fig. B)

The side handle **3** clamps to the mounting area **7** of the gear case and may be rotated 360° to permit right- or left-hand use. The side handle must be tightened sufficiently to resist the twisting action of the tool if the accessory binds or stalls. Be sure to grip the side handle at the far end to control the tool during a stall.

To loosen side handle, rotate counterclockwise.

Inserting and Removing SDS Max Accessories (Fig. A, C1, C2)

This machine uses SDS Max chisels (refer to the inset in figure C2 for a cross-section of an SDS Max chisel shank).

1. Clean the chisel shank.
2. Pull back the locking sleeve **6** and insert the chisel shank.
3. Turn the chisel slightly until the sleeve snaps into position.
4. Pull on the chisel, to check if it is properly locked. The hammering function requires the chisel to be able to move axially several centimetres when locked in the tool holder.
5. To remove a chisel pull back the tool holder locking sleeve/collar **6** and pull the chisel out of the tool holder **8**.

Selecting the Operating Mode (Fig. A)



Hammering only:

for chiselling and demolition applications. In this mode the tool can also be used as a lever to free a jammed drill bit.

1. To select the operating mode, rotate the mode selector switch **2** until it points to the symbol of the required mode. It may be necessary to twist the tool holder **8** slightly to allow the mode selector switch **2** to pass the **1** position.
2. Check that the mode selector switch **2** is locked in place.

Indexing the Chisel Position (Fig. D)

The chisel can be indexed and locked into 18 different positions.

1. Rotate the mode selector switch **2** until it points towards the **1** position.
2. Rotate the chisel in the desired position.

- Set the mode selector switch **2** to the "hammering only" position.
- Twist the chisel until it locks in position.

OPERATION

Instructions for Use



WARNING: Always observe the safety instructions and applicable regulations.



WARNING: To reduce the risk of serious personal injury, turn tool off and disconnect tool from power source before making any adjustments or removing/installing attachments or accessories. Be sure the trigger switch is in the OFF position. An accidental start-up can cause injury.



WARNING: Tool chisels may be hot and gloves should be worn when changing or removing them to avoid personal injury.



WARNING:

- Be aware of the location of pipework and wiring.
- Apply only a gentle pressure to the tool (approximately 20 kg). Excessive force does not speed up chiseling but decreases tool performance and may shorten tool life.
- Always hold the tool firmly with both hands and ensure a secure stance. Always operate the tool with the side handle properly assembled.

NOTE: Operating temperature is -7° to +40° C (19° to 104° F). Using the tool outside of this temperature range will decrease the life of the tool.

Proper Hand Position (Fig. E)



WARNING: To reduce the risk of serious personal injury, ALWAYS use proper hand position as shown.



WARNING: To reduce the risk of serious personal injury, ALWAYS hold securely in anticipation of a sudden reaction.

Proper hand position requires one hand on the side handle **3**, with the other hand on the main handle **4**.

Switching On and Off (Fig. A)

To turn the tool on, press the on/off rocker switch **1** at the lower part of the trigger.

To stop the tool, press the on/off rocker switch at the upper part of the trigger.

Chipping and Chiselling (Fig. A)

- Insert the appropriate chisel and rotate it by hand to lock it into one of 18 positions.
- Set the mode selector switch **2** to the hammering only position.
- Fit and adjust the side handle **3**.
- Turn the tool on and start working.
- Always turn the tool off when work is finished and before unplugging.

MAINTENANCE

Your DEWALT power tool has been designed to operate over a long period of time with a minimum of maintenance. Continuous satisfactory operation depends upon proper tool care and regular cleaning.



WARNING: To reduce the risk of serious personal injury, turn tool off and disconnect tool from power source before making any adjustments or removing/installing attachments or accessories. Be sure the trigger switch is in the OFF position. An accidental start-up can cause injury.

Brushes

The carbon brushes are not user-serviceable. Take the tool to an authorized DEWALT repair agent.



Lubrication

Your power tool requires no additional lubrication.



Cleaning



WARNING: Blow dirt and dust out of the main housing with dry air as often as dirt is seen collecting in and around the air vents. Wear approved eye protection and approved dust mask when performing this procedure.



WARNING: Never use solvents or other harsh chemicals for cleaning the non-metallic parts of the tool. These chemicals may weaken the materials used in these parts. Use a cloth dampened only with water and mild soap. Never let any liquid get inside the tool; never immerse any part of the tool into a liquid.

Optional Accessories



WARNING: Since accessories, other than those offered by DEWALT, have not been tested with this product, use of such accessories with this tool could be hazardous. To reduce the risk of injury, only DEWALT recommended accessories should be used with this product.

Consult your dealer for further information on the appropriate accessories.

Protecting the Environment



Separate collection. Products and batteries marked with this symbol must not be disposed of with normal household waste.



Products and batteries contain materials that can be recovered or recycled reducing the demand for raw materials. Please recycle electrical products and batteries according to local provisions. Further information is available at www.2helpU.com.

MARTEAU BURINEUR SDS MAX

D25820

Félicitations !

Vous avez choisi un outil DEWALT. Des années d'expertise dans le développement et l'innovation de ses produits ont fait de DEWALT, le partenaire privilégié des utilisateurs professionnels d'outils électriques.

Fiche technique

		D25820
Tension	V _к	220/240 120
Type		2
Puissance absorbée	W	1150
Fréquence	Hz	50
Énergie de choc individuel (EPTA 05/2009)	J	8
Battements à vide par minute	bpm	2740
Positions du burin		18
Porte-outil		SDS Max
Poids	kg	5,8

Définitions : consignes de sécurité

Les définitions ci-dessous décrivent le niveau de gravité de chaque mot signalétique. Lisez le manuel de l'utilisateur et soyez attentif à ces symboles.



DANGER : indique une situation dangereuse imminente qui, si elle n'est pas évitée, entraînera des **blessures graves ou mortelles**.



AVERTISSEMENT : indique une situation dangereuse potentielle qui, si elle n'est pas évitée, pourrait entraîner des **blessures graves ou mortelles**.



ATTENTION : indique une situation dangereuse potentielle qui, si elle n'est pas évitée, pourrait entraîner des **blessures minimes ou modérées**.

AVIS : indique une pratique ne **posant aucun risque de dommages corporels**, mais qui par contre, si rien n'est fait pour l'éviter, **pourrait poser des risques de dommages matériels**.



Indique un risque de **électrocution**.



Indique un risque de **incendie**.



AVERTISSEMENT : afin de réduire le risque de **blessure**, lisez le manuel d'instruction.

Consignes de sécurité générales propres aux outils électriques



AVERTISSEMENT : **lire toutes les directives et consignes de sécurité**. Tout manquement aux directives et consignes ci-inclues comporte des risques

de **décharges électriques, d'incendie et/ou de dommages corporels graves**.

CONSERVER TOUTES CES DIRECTIVES ET CONSIGNES À TITRE DE RÉFÉRENCE

Le terme « outil électrique » mentionné dans les avertissements ci-après se rapporte aux outils alimentés sur secteur (avec fil) ou par piles (sans fil).

1) Sécurité – Aire de Travail

- Maintenir l'aire de travail propre et bien éclairée**. Les lieux sombres ou encombrés sont propices aux accidents.
- Ne pas utiliser un outil électrique dans un milieu déflagrant, comme en présence de liquides, gaz ou poussières inflammables**. Les outils électriques peuvent produire des étincelles qui pourraient enflammer toute émanation ou poussière ambiante.
- Maintenir à l'écart les enfants, ou toute autre personne, lors de l'utilisation d'un outil électrique**. Toute distraction pourrait faire perdre la maîtrise de l'appareil.

2) Sécurité – Électricité

- La fiche électrique de l'outil doit correspondre à la prise murale. Ne modifier la fiche en aucune façon. Ne pas utiliser de fiche d'adaptation avec un outil électrique mis à la terre (masse)**. L'utilisation de fiches d'origine et de prises appropriées réduira tout risque de décharges électriques.
- Éviter tout contact corporel avec des éléments mis à la terre comme : tuyaux, radiateurs, cuisinières ou réfrigérateurs**. Les risques de décharges électriques augmentent lorsque le corps est mis à la terre.
- Ne pas exposer les outils électriques à la pluie ou à l'humidité**. Tout contact d'un outil électrique avec un liquide augmente les risques de décharges électriques.
- Ne pas utiliser le cordon de façon abusive. Ne jamais utiliser le cordon pour transporter, tirer ou débrancher un outil électrique. Protéger le cordon de toute source de chaleur, de l'huile, et de tout bord tranchant ou pièce mobile**. Les cordons endommagés ou emmêlés augmentent les risques de décharges électriques.
- En cas d'utilisation d'un outil électrique à l'extérieur, utiliser systématiquement une rallonge conçue à cet effet**. Cela diminuera tout risque de décharges électriques.
- Si on ne peut éviter d'utiliser un outil électrique en milieu humide, utiliser un circuit protégé par un dispositif de courant résiduel (RCD)**. Cela réduira tout risque de décharges électriques.

3) Sécurité Individuelle

- Rester systématiquement vigilant et faire preuve de jugement lorsqu'on utilise un outil électrique. Ne pas**

utiliser d'outil électrique en cas de fatigue ou sous l'influence de drogues, d'alcool ou de médicaments.

Tout moment d'inattention pendant l'utilisation d'un outil électrique comporte des risques de dommages corporels graves.

- b) **Porter un équipement de protection individuel. Porter systématiquement un dispositif de protection oculaire.** Le fait de porter un masque anti-poussières, des chaussures antidérapantes, un casque de sécurité ou un dispositif de protection auditive, lorsque la situation le requiert, réduira les risques de dommages corporels.
- c) **Prévenir tout démarrage accidentel. S'assurer que l'interrupteur est en position d'arrêt avant de brancher l'outil sur le secteur et/ou la batterie, ou de le ramasser ou le transporter.** Transporter un outil le doigt sur l'interrupteur ou brancher un outil électrique alors que l'interrupteur est en position de marche invite les accidents.
- d) **Retirer toute clé de réglage avant de démarrer l'outil.** Une clé laissée sur une pièce rotative d'un outil électrique comporte des risques de dommages corporels.
- e) **Adopter une position stable. Maintenir les pieds bien ancrés au sol et conserver son équilibre en permanence.** Cela permettra de mieux maîtriser l'outil électrique en cas de situations imprévues.
- f) **Porter des vêtements appropriés. Ne porter aucun vêtement ample ou bijou. Maintenir cheveux, vêtements et gants à l'écart des pièces mobiles,** car ils pourraient s'y faire prendre.
- g) **Lorsqu'un dispositif de connexion à un système de dépoussiérage ou d'élimination est fourni, s'assurer qu'il est branché et utilisé correctement.** L'utilisation de ces dispositifs peut réduire les risques engendrés par les poussières.

4) Utilisation et Entretien des Outils Électriques

- a) **Ne pas forcer un outil électrique. Utiliser l'outil approprié au travail en cours.** L'outil approprié effectuera un meilleur travail, de façon plus sûre et à la vitesse pour laquelle il a été conçu.
- b) **Ne pas utiliser un outil électrique dont l'interrupteur est défectueux.** Tout appareil dont l'interrupteur est défectueux est dangereux et doit être réparé.
- c) **Débrancher la fiche du secteur et/ou la batterie de l'outil électrique avant d'effectuer tout réglage, de changer tout accessoire, ou avant de le ranger.** Ces mesures préventives réduiront tout risque de démarrage accidentel de l'appareil.
- d) **Après utilisation, ranger les outils électriques hors de portée des enfants et ne permettre à aucune personne non familière avec son fonctionnement (ou sa notice d'instructions) de l'utiliser.** Les outils peuvent être dangereux entre des mains inexpérimentées.
- e) **Entretien des outils électriques. Vérifier les pièces mobiles pour s'assurer qu'elles sont bien alignées**

et tournent librement, qu'elles sont en bon état et ne sont affectées d'aucune condition susceptible de nuire au bon fonctionnement de l'outil. En cas de dommage, faire réparer l'outil électrique avant toute nouvelle utilisation. De nombreux accidents sont causés par des outils mal entretenus.

- f) **Maintenir tout organe de coupe propre et bien affûté.** Les outils de coupe bien entretenus et affûtés sont moins susceptibles de se coincer et sont plus faciles à contrôler.
- g) **Utiliser un outil électrique, ses accessoires, mèches, etc., conformément aux présentes directives et suivant la manière prévue pour ce type particulier d'outil électrique, en tenant compte des conditions de travail et de la tâche à effectuer.** L'utilisation d'un outil électrique à des fins autres que celles prévues est potentiellement dangereuse.

5) Réparation

- a) **Faire entretenir les outils électriques par un réparateur qualifié en n'utilisant que des pièces de rechange identiques.** Cela permettra de préserver l'intégrité de l'outil électrique et la sécurité de l'utilisateur.

Consignes de sécurité supplémentaires pour marteaux burineurs

- **Porter des protections auditives.** L'exposition au bruit peut causer des pertes de l'ouïe.
- **Utiliser les poignées auxiliaires 3, si fournies avec l'outil.** La perte de contrôle peut causer des blessures.
- **Tenir l'outil par les surfaces isolées prévues à cet effet pendant toute utilisation où l'organe de coupe pourrait entrer en contact avec des fils électriques cachés ou son propre cordon.** Tout contact de l'organe de coupe avec un fil sous tension peut mettre les parties métalliques exposées de l'outil sous tension et électrocuter l'utilisateur.



AVERTISSEMENT : nous recommandons l'utilisation d'un disjoncteur différentiel avec un seuil de déclenchement de 30mA ou moins.

Risques résiduels

Les risques suivants sont inhérents à l'utilisation des marteaux burineurs :

- Blessures causées par le contact avec les pièces chaudes de l'outil.

En dépit de l'application des normes de sécurité en vigueur et de l'installation de dispositifs de sécurité, certains risques résiduels sont inévitables. Il s'agit de :

- Diminution de l'acuité auditive.
- Risque de se coincer les doigts lors du remplacement de l'accessoire.
- Risques pour la santé causés par la respiration de la poussière causée lors du travail dans le béton et/ou la maçonnerie.

Sécurité électrique

Le moteur électrique a été conçu pour fonctionner sur une tension unique. Vérifier systématiquement que la tension du secteur correspond bien à la tension indiquée sur la plaque signalétique.



Votre outil DEWALT à double isolation est conforme à la norme EN60745 ; un branchement à la terre n'est donc pas nécessaire.



AVERTISSEMENT : les appareils à 120 V doivent être utilisés avec des transformateurs d'isolation à l'épreuve des pannes doté d'un écran de terre entre l'enroulement primaire et secondaire.

Si le cordon fourni est endommagé, le remplacer par un cordon spécialement conçu à cet effet, et disponible auprès du service après-vente DEWALT.



Toujours utiliser la fiche prescrite lors du remplacement du câble d'alimentation.

Type 11 pour la classe II (Isolation double) – outils

Type 12 pour la classe I (Conducteur de terre) – outils



En cas d'utilisation à l'extérieur, connecter les outils portatifs à un disjoncteur FI.

Remplacement de la fiche d'alimentation (Moyen-Orient et Afrique)

Si une nouvelle fiche d'alimentation doit être montée :

- Mettre soigneusement au rebut l'ancienne fiche.
- Raccorder le fil marron à la borne de phase dans la fiche.
- Raccorder le fil bleu à la borne de neutre.



AVERTISSEMENT : aucun branchement ne doit être fait à la borne de terre.

Suivez les instructions de montage fournies avec des fiches de bonne qualité. Fusible recommandé : 13 A.

Utilisation d'une rallonge

N'utiliser une rallonge qu'en cas de nécessité absolue. Utiliser une rallonge homologuée et compatible avec la tension nominale de cet outil (consulter la **Fiche techniques**). La section minimale du conducteur est de 1,5 mm² pour une longueur maximale de 30 m.

En cas d'utilisation d'un dévidoir, dérouler systématiquement le câble sur toute sa longueur.

Contenu de l'emballage

Ce carton comprend :

- 1 Marteau burineur
- 1 Poignée latérale
- 1 Coffret de transport (modèles K uniquement)
- 1 Notice d'instructions
- Vérifier que l'appareil et ses pièces ou accessoires n'ont pas été endommagés lors du transport.
- Prendre le temps de lire attentivement et comprendre cette notice d'instructions avant toute utilisation de l'appareil.

Étiquettes sur l'appareil

On trouve les diagrammes suivants sur l'outil :



Lire la notice d'instructions avant toute utilisation.



Porter un dispositif de protection auditive.



Porter un dispositif de protection oculaire.

Emplacement de la Date Codée de Fabrication (Fig. A)

La date codée de fabrication **9**, qui comprend aussi l'année de fabrication, est imprimée sur le boîtier.

Exemple :

2017 XX XX

Année de fabrication

Description (Fig. A, B)



AVERTISSEMENT : ne jamais modifier l'outil électrique ni aucun de ses composants. Il y a risques de dommages corporels ou matériels.

- 1 Interrupteur marche/arrêt à bascule
- 2 Commutateur de mode
- 3 Poignée latérale
- 4 Poignée principale
- 5 Blocage de poignée latérale
- 6 Manchon de verrouillage
- 7 Collier
- 8 Porte-outil

Utilisation Prévue

Votre marteau burineur a été conçu pour les applications professionnelles de burinage, de ciselage et de démolition.

NE PAS les utiliser en milieu humide ou en présence de gaz ou de liquides inflammables.

Ces marteaux sont des outils électriques professionnels.

NE PAS les laisser à la portée des enfants. Une supervision est nécessaire auprès de tout utilisateur non expérimenté.

- Ce produit n'est pas prévu pour être utilisé par des personnes (y compris les enfants) dont les capacités physiques, sensorielles ou mentales sont réduites ou qui manquent d'expérience ou d'aptitudes, sauf si ces personnes sont surveillées par une autre personne responsable de leur sécurité. Ne jamais laisser les enfants seuls avec ce produit.

MONTAGE ET RÉGLAGES



AVERTISSEMENT : pour réduire tout risque de dommages corporels graves, arrêter et débrancher l'outil avant tout réglage ou avant de retirer ou installer toute pièce ou tout accessoire. S'assurer que la gâchette est bien en position d'ARRÊT. Tout démarrage accidentel pourrait causer des dommages corporels.

AVERTISSEMENT : les forets peuvent être chaud et vous devez porter des gants lors de leur remplacement ou de leur retrait pour éviter toute blessure.

Installer la poignée latérale (Fig. B)

La poignée latérale **3** s'attache sur la zone de montage **7** du carter d'engrenages et peut pivoter à 360° pour convenir à la fois aux droitiers et aux gauchers. La poignée latérale doit être suffisamment serrée afin de résister à la torsion de l'outil si l'embout se coince ou se dérobe. Assurez-vous de saisir la poignée latérale au plus loin pour pouvoir garder le contrôle de l'outil en cas de calage.

Pour desserrer la poignée latérale, tournez dans le sens inverse des aiguilles d'une montre.

Montage et démontage des accessoires SDS Max (Fig. A, C1, C2)

Cette machine utilise des burins SDS Max (consulter l'encadré sur la figure C2 pour voir la coupe d'une tige de burin SDS Max).

1. Nettoyez la tige du burin.
2. Rétractez le manchon de verrouillage **6** et insérez la tige du burin.
3. Tournez légèrement le burin jusqu'à ce que le manchon s'engage en position.
4. Tirez sur le burin pour vérifier qu'il est correctement verrouillé. La fonction de percussion nécessite que le burin puisse se déplacer axialement de plusieurs centimètres lorsqu'il est verrouillé dans le porte-outil.
5. Pour retirer un burin, rétractez le manchon/collier de verrouillage du porte-outil **6** et sortez le burin du porte-outil **8**.

Sélection du mode de fonctionnement (Fig. A)

Percussion uniquement : pour les applications de ciselage et de démolition. Dans ce mode, l'outil peut être aussi utilisé comme levier pour libérer un foret coincé.

1. Pour sélectionner le mode de fonctionnement, faites tourner le commutateur de mode **2** jusqu'au point où se trouve le symbole du mode requis. Il peut être nécessaire de pivoter légèrement le porte-outil **8** pour permettre au commutateur de mode **2** de passer la position **0**.
2. Vérifiez que le commutateur de mode **2** est verrouillé en position.

Réglage de la position du burin (Fig. D)

Le burin peut être positionné et verrouillé dans 18 positions différentes.

1. Faites tourner le commutateur de mode **2** jusqu'à ce qu'il indique la position **0**.
2. Faites tourner le burin dans la position désirée.
3. Réglez le commutateur de mode **2** en position "percussion uniquement."

4. Faites tourner le burin jusqu'à ce qu'il se bloque en position.

FONCTIONNEMENT

Consignes d'utilisation

- AVERTISSEMENT :** respecter systématiquement les consignes de sécurité et les normes en vigueur.
- AVERTISSEMENT :** pour réduire tout risque de dommages corporels graves, arrêter et débrancher l'outil avant tout réglage ou avant de retirer ou installer toute pièce ou tout accessoire. S'assurer que la gâchette est bien en position d'ARRÊT. Tout démarrage accidentel pourrait causer des dommages corporels.
- AVERTISSEMENT :** Les burins peuvent être chaud et vous devez porter des gants lors de leur remplacement ou de leur retrait pour éviter toute blessure.
- AVERTISSEMENT :**
 - Tenez compte de l'emplacement de la tuyauterie et du câblage.
 - Appliquer seulement une pression légère sur l'outil (environ 20 kg). Une force excessive n'accélère pas le burinage, mais réduit les performances de l'outil et peut diminuer sa durée de vie.
 - Tenez toujours l'outil fermement des deux mains et prenez une position sûre. Utilisez toujours l'outil avec la poignée latérale correctement assemblée.

REMARQUE : la température d'utilisation est de -7° à +40 C (19 à 104°F). L'utilisation de l'outil hors de cette plage de température diminue sa durée de vie.

Position correcte des mains (Fig. E)

- AVERTISSEMENT :** pour réduire tout risque de dommages corporels graves, adopter **SYSTÉMATIQUEMENT** la position correcte des mains illustrée.
- AVERTISSEMENT :** pour réduire tout risque de dommages corporels graves, maintenir fermement et **SYSTÉMATIQUEMENT** l'outil pour anticiper toute réaction soudaine de sa part.

La position correcte des mains nécessite une main sur la poignée latérale **3** avec l'autre main sur la poignée principale **4**.

Mise en marche et arrêt de l'appareil (Fig. A)

Appuyez sur l'interrupteur marche/arrêt à bascule **1** dans la partie inférieure de la gâchette pour mettre l'outil en marche. Appuyez sur l'interrupteur marche/arrêt à bascule dans la partie supérieure de la gâchette pour mettre arrêter l'outil.

Burinage et ciselage (Fig. A)

1. Insérez le burin approprié et faites-le tourner à la main pour le verrouiller dans l'une des 18 positions.
2. Réglez le commutateur de mode **2** en position de percussion uniquement.
3. Montez et ajustez la poignée latérale **3**.
4. Mettez l'outil en marche et commencez le travail.

5. Toujours mettre l'outil à l'arrêt après le travail et avant de débrancher l'outil.

MAINTENANCE

Votre outil électrique DEWALT a été conçu pour fonctionner longtemps avec un minimum de maintenance. Le fonctionnement continu et satisfaisant de l'outil dépendra d'une maintenance adéquate et d'un nettoyage régulier.



AVERTISSEMENT : pour réduire tout risque de dommages corporels graves, arrêter et débrancher l'outil avant tout réglage ou avant de retirer ou installer toute pièce ou tout accessoire. S'assurer que la gâchette est bien en position d'ARRÊT. Tout démarrage accidentel pourrait causer des dommages corporels.

Charbons

Les balais de charbon ne peuvent être remplacés par l'utilisateur. Portez l'outil à un agent de réparation agréé DEWALT.



Lubrification

Votre outil électrique ne requiert aucune lubrification additionnelle.



Entretien



AVERTISSEMENT : éliminer poussière et saleté du boîtier principal à l'aide d'air comprimé chaque fois que les orifices d'aération semblent s'encrasser. Porter systématiquement des lunettes de protection et un masque anti-poussières homologués au cours de cette procédure.



AVERTISSEMENT : ne jamais utiliser de solvants ou tout autre produit chimique décapant pour nettoyer les parties non métalliques de l'outil. Ces produits chimiques pourraient en attaquer les matériaux utilisés. Utiliser un chiffon humidifié avec de l'eau et un savon doux. Protéger l'outil de tout liquide et n'immerger aucune de ses pièces dans aucun liquide.

Accessoires en option



AVERTISSEMENT : comme les accessoires autres que ceux offerts par DEWALT n'ont pas été testés avec ce produit, leur utilisation avec cet appareil pourrait être dangereuse. Pour réduire tout risque de dommages corporels, seuls des accessoires DEWALT recommandés doivent être utilisés avec cet appareil.

Veillez consulter votre revendeur pour plus d'informations sur les accessoires appropriés.

Protection de l'environnement



Tri sélectif. Les produits et batteries marqués de ce symbole ne doivent pas être jetés avec les déchets ménagers.

Les produits et batteries contiennent des matières qui peuvent être récupérées et recyclées afin de réduire la demande en matières premières. Veuillez recycler les produits électriques et les batteries conformément aux dispositions locales en vigueur. Pour plus d'informations, consultez le site www.2helpU.com.

تهانينا!


لقد اخترت أداة DeWALT. سنوات الخبرة التي تمتد خلالها عمليات تطوير المنتجات وابتكارها تجعل DeWALT من أكثر الشركاء الذين يمكن الاعتماد عليهم بالنسبة لمستخدمي الأدوات الآلية المحترفين.

البيانات الفنية


D25820	
الجهد الكهربائي	فولت 240-220
التوع	2
دخل الطاقة	وات 1150
التردد	هرتز 50
طاقة التأثير المفرد (EPTA 05/2009)	جول 8
عدد النبضات في الدقيقة بدون حمولة	نبضة 1 دقيقة 2740
أوضاع الإزميل	18
حامل الأداة	SDS Max
الوزن	كجم 5,8

التعريفات: تعليمات الأمان


تصف التعريفات التالية مستوى أهمية كل كلمة تحذيرية. يرجى قراءة الدليل والانتباه لتلك الرموز.

 خطر: تشير هذه الكلمة إلى وجود حالة خطر وشيكة، وإذا لم يتم


تفاديها، فقد تؤدي إلى الوفاة أو الإصابة الجسيمة.

 تحذير: تشير هذه الكلمة إلى وجود حالة خطر محتملة، وإذا لم يتم

تفاديها، فقد تؤدي إلى الوفاة أو الإصابة الجسيمة.

 تنبيه: تشير هذه الكلمة إلى وجود حالة خطر محتملة، وإذا لم يتم

تفاديها، فقد تؤدي إلى حدوث إصابة بسيطة أو متوسطة.

 ملاحظة: تشير إلى ممارسة غير متعلقة بإصابة شخصية، إذا لم يتم تفاديها،

فقد تؤدي إلى ضرر الممتلكات.

 تشير إلى خطر حدوث صدمة كهربائية.

 تشير إلى خطر نشوب حريق.

 تحذير: لتقليل خطر حدوث الإصابات، يرجى قراءة دليل التعليمات.

تحذيرات الأمان العامة للأدوات الكهربائية


 تحذير: اقرأ جميع تحذيرات الأمان والتعليمات والإيضاحات والمواصفات

الواردة مع هذه الأداة الكهربائية. إذ قد يؤدي عدم اتباع جميع الإرشادات إلى حدوث صدمة كهربائية وأو نشوب حريق وأو وقوع إصابة جسيمة.

احتفظ بجميع التحذيرات والتعليمات من أجل الرجوع إليها في المستقبل

يشير المصطلح «أداة كهربائية» في التحذيرات إلى الأداة الكهربائية التي تعمل بالطاقة الكهربائية (مزودة بسلك كهربائي) أو الأداة الكهربائية التي تعمل بالبطارية (غير مزودة بسلك كهربائي).

1) أمان منطقة العمل

 أ) احتفظ بمنطقة العمل نظيفة ومضاءة بطريقة جيدة. حيث أن المناطق المتكدسة بغير نظام أو المظلمة تؤدي إلى وقوع الحوادث.

(ب) لا تقم بتشغيل الأدوات الكهربائية في الأجواء المتفجرة، كأن يوجد بالمكان سوائل أو غازات أو غبار قابل للاشتعال. قد تؤدي الأدوات الكهربائية التي تحدث شرارات في اشتعال الأتربة أو الأذخنة.

(ج) أبق على الأطفال والشخص المشاهدين بعيداً أثناء تشغيل الأداة الكهربائية. فقد يؤدي تشتت الانتباه إلى فقدان سيطرتك.

2) السلامة الكهربائية

(أ) يجب أن يتوافق قابس الأداة الكهربائية مع مصدر التيار الكهربائي. لا تقم مطلقاً بإجراء تعديل على القابس بأي طريقة. لا تستخدم قابس المحول مع الأدوات الكهربائية المؤرضة لمر تأريضها، حيث ستقلل المقابس غير المعدلة ومصادر التيار الكهربائي المتطابقة من خطر حدوث صدمة كهربائية.

(ب) تجنب ملامسة الجسم مع الأسطح الأرضية أو المؤرضة كالألابيب والمشعاع والموقد والتلجعات. حيث يوجد خطر متزايد من حدوث صدمة كهربائية إذا كان جسديك مؤرضاً أو تابئاً على الأرض.

(ج) لا تعرض الأدوات الكهربائية للمطر أو البلل. إذ سيؤدي الماء الذي يدخل الأداة الكهربائية إلى زيادة خطر حدوث صدمة كهربائية.

(د) لا تستخدم الكابل بطريقة خاطئة. لا تستخدم مطلقاً السلك من أجل حمل الأشياء أو سحبها أو لنزع قابس الأداة الكهربائية. أبعد السلك عن الحرارة أو الزيوت أو الحواف الحادة أو الأجزاء المتحركة. إذ تزيد الأسلاك التالفة أو المتشابكة من خطر حدوث صدمة كهربائية.

(هـ) عند تشغيل الأداة الكهربائية خارج المنزل، استخدم سلك استطلاع ملائم للاستخدام في الأماكن الخارجية. حيث إن استخدام السلك الملائم للاستخدام الخارجي يقلل من خطر حدوث الصدمة الكهربائية.

(و) إذا لم يكن هناك مفر من تشغيل الأداة الكهربائية في أحد الأماكن الرطبة، فاستخدم مصدر إمداد محمي بجهاز قاطع الدائرة (RCD). استخدم جهاز التيار المتبقي يقلل من حدوث الصدمة الكهربائية.

3) السلامة الشخصية

(أ) ابق حذراً وراقب ما تقوم بفعله واستعن بالحواس العامة عند تشغيل الأداة الكهربائية. لا تستخدم الأداة الكهربائية عندما تكون متعباً أو تحت تأثير المخدرات أو الكحول أو الأدوية. قد تؤدي أي لحظة من السهو أثناء تشغيل الأدوات الكهربائية إلى حدوث إصابة جسدية جسيمة.

(ب) استخدم معدات الوقاية الشخصية. قم دوماً بارتداء واقي العينين. إذ أن استخدام معدات الوقاية مثل كامات الأتربة، وأحذية الأمان المانعة للانزلاق، والخوذة الصلبة، أو وافي الأذن للحالات ذات الصلة سيقلل من الإصابات الشخصية.

(ج) تجنب التشغيل العرضي. تأكد من أن المفتاح في وضع إيقاف التشغيل قبل التوصيل بمصدر الطاقة، و/ أو مجموعة البطارية، أو التقاط أو حمل الأداة. حيث قد يؤدي حمل الأدوات الكهربائية أثناء وجود إصبعك على المفتاح أو إمداد الأدوات الكهربائية التي يكون مفتاحها بوضع التشغيل بالكهرباء إلى وقوع الحوادث.

(د) قم بإخراج أي مفتاح ضبط أو مفتاح ربط قبل تشغيل الأداة الكهربائية. فقد يؤدي ترك مفتاح الربط أو المفتاح بالجزء الدوار بالأداة الكهربائية إلى حدوث إصابة شخصية.

(هـ) تجنب مد يدك بعيداً بالجزء. حافظ على ثبات موضع قدمك والتوازن طيلة الوقت. إذ يساعدك ذلك على التحكم بشكل أفضل في الأداة الكهربائية في المواقف المفاجئة.

(و) ارتد ملابس مناسبة. تجنب ارتداء ملابس أو مجوهرات فضفاضة. أبعد الشعر والملابس والقفازات عن الأجزاء المتحركة. فقد تتحشر الملابس أو المجوهرات الفضفاضة أو الشعر الطويل في الأجزاء المتحركة.

- المخاطر الصحية الناجمة عن استنشاق الأتربة الناشئة عند العمل في الخرسانة و/أو الأبيية.

السلامة الكهربائية

تم تصميم المحرك الكهربائي لتحمل جهد كهربائي واحد فقط. تأكد دومًا من أن مصدر إمداد الطاقة مطابق للجدد الكهربائي المبين على لوحة التصنيف.

تم تزويد الأداة الخاصة بك من DeWALT بإعازل مزدوج طبقًا لمعيار EN60745، لذا لا حاجة للسلك الأرضي.



تحذير: يجب تشغيل الوحدات بقدرتها 120 فولت من خلال محول العزل الآمن من التعطل مع شاشة التأييد بين اللغات الرئيسية وغير الرئيسية.

في حالة استبدال السلك أو القابس في الأداة، يجب أن تتم عملية الإصلاح من قبل مركز خدمة معتمد أو فني مؤهل.

استبدال قابس التيار الرئيسي (الشرق الأوسط وإفريقيا)

إذا استدعت الضرورة تركيب قابس تيار رئيسي، فقم بالتالي:

- تخلص بأمان من القابس القديم.
- قم بتوصيل السلك البني بطرف التوصيل النشط في القابس.
- قم بتوصيل السلك الأزرق بطرف التوصيل المحايد.
- تحذير: لا يتم إجراء أي توصيل بطرف التوصيل الأرضي.



قم باتباع التعليمات الواردة مع القوابس ذات الجودة العالية المصنهر الموصى باستخدامه: 13 أمبير.

استخدام كابل الاستطالة

إذا استدعت الضرورة استخدام كابل استطالة، فاستخدم كابل استطالة معتمد ملائم لدخل طاقة هذه الأداة، (انظر البيانات الفنية). الحد الأدنى لحجم الموصل هو 1.5 مم² الطول الأقصى هو 30 م.

عند استخدام بكرة الكابل، قم دومًا بفك الكابل تمامًا.

محتويات العبوة

تحتوي العبوة على ما يلي:

- 1 مطرقة هدم
- 1 مقبض جانبي
- 1 صندوق الأدوات (طُرُز K فقط)
- 1 دليل التعليمات
- افحص بحثًا عن أي تلف لحق بالأداة أو الأجزاء أو الملحقات يمكن أن يكون قد حدث أثناء النقل.
- خذ الوقت اللازم لقراءة هذا الدليل وفهمه جيدًا قبل التشغيل.

علامات على الأداة

الصور التالية موضحة على الأداة:



اقرأ دليل التعليمات قبل الاستخدام.



قم بارتداء واقبات الأذن.



قم بارتداء واقبات العين.

- في حال توفير الأجهزة للتوصيل بوسائل استخلاص وتجميع الأتربة، فتأكد من توصيلها واستخدامها بطريقة صحيحة. حيث أن تجميع الأتربة قد يؤدي إلى تقليل المخاطر المتعلقة بالأتربة.

4 استخدام الأداة الكهربائية والعناية بها

لا تتعامل بالقوة مع الأداة الكهربائية. استخدم الأداة الكهربائية الملائمة لغرض الاستخدام الخاص بك. حيث ستجذب الأداة الكهربائية الملائمة المهمة بشكل أفضل وأكثر أمانًا عند المعدل الذي صممت من أجله.

لا تستخدم الأداة الكهربائية إذا كان المفتاح لا يقوم بالتشغيل وإيقاف التشغيل، حيث تشكل أي أداة كهربائية لا يمكن التحكم فيها بواسطة المفتاح خطورة ويجب إصلاحها.

قم بفصل القابس من مصدر الطاقة و/أو مجموعة البطارية، إذا كانت قابلة للفصل، من الأداة الكهربائية قبل إجراء أي عمليات ضبط أو تغيير ملحقات أو تخزين الأدوات الكهربائية. تقلل إجراءات السلامة الوقائية هذه من خطر تشغيل الأداة الكهربائية بشكل فجائي.

قم بتخزين الأدوات الكهربائية المتوقفة عن العمل بعيدًا عن متناول الأطفال ولا تدع الأشخاص غير الملمين بالأداة الكهربائية أو بهذه التعليمات يقومون بتشغيل الأداة الكهربائية. إذ تعد الأدوات الكهربائية مصدر خطورة في أيدي المستخدمين غير المدربين على استخدامها.

حافظ على الأدوات الكهربائية والملحقات. افحص للحثري عن أي محاذرة غير صحيحة أو تقييد للأجزاء المتحركة، أو كسر بالأجزاء وأي حالات أخرى قد تؤثر على تشغيل الأداة الكهربائية. وفي حال وجود تلف، قم بإصلاح الأداة الكهربائية قبل الاستخدام. حيث يرجح سبب وقوع العديد من الحوادث إلى الصيانة السيئة للأدوات الكهربائية.

حافظ على أدوات القطع في حالة حادة ونظيفة. حيث أن أدوات القطع التي تتم صيانتها بطريقة صحيحة ومزودة بحواف قطع حادة تتعرض بشكل أقل للالتصاق ويسهل التحكم بها على نحو أكبر.

استخدم الأداة الكهربائية والملحقات ولقمر الأداة وما شابه ذلك وفقًا لهذه التعليمات مع الأخذ في الاعتبار ظروف التشغيل والعمل المراد تنفيذها. إذ أن استخدام الأداة الكهربائية لعمليات مختلفة عن تلك العمليات المخصصة لها قد يؤدي إلى حالة خطيرة.

5 الخدمة

أ قم بصيانة الأداة الكهربائية الخاصة بك على يد فني إصلاح مؤهل وذلك من خلال استخدام أجزاء بديلة متطابقة فقط. حيث سيضمن ذلك الحفاظ على أمان الأداة الكهربائية.

تعليمات السلامة الإضافية لمطارق التكسير

- قم بارتداء واقبات الأذن. التعرض للضوضاء قد يؤدي إلى فقدان السمع.
- استخدم المقبض 3 إذا كان وارد مع الأداة. فقدان التحكم قد يؤدي إلى حدوث إصابة شخصية.
- قم بإمسك الأداة الكهربائية بواسطة أسطح الإمساك المعزولة عند تنفيذ العملية حيث قد يتلامس ملحق القطع مع الأسلاك الخفية أو السلك الخاص بها. ملحق القطع المتلامس مع السلك "النشط" قد يؤدي إلى "تنشيط" الأجزاء المعدنية المكشوفة من الأداة الآلية وتعرض المشغل للصعقة الكهربائية.

تحذير: نوصي باستخدام جهاز قاطع الدورة مع ضبط قطع الدورة على 30 ملي أمبير أو أقل.



المخاطر المتبقية

تعتبر المخاطر التالية متصلة في استخدام مطارق التكسير:

- الإصابات الناجمة عن ملامسة الأجزاء الساخنة من الأداة.
- على الرغم من تطبيق تعليمات السلامة ذات الصلة والتزود بأجهزة الأمان، إلا أنه لا يمكن تفادي بعض المخاطر المتبقية المحددة. وتشمل هذه المخاطر ما يلي:
- ضعف السمع.
- خطر التعرض لعصر الأصابع عند تغيير الملحق.

5. إزالة الإزميل اسحب للخلف كم/ طوق الإغلاق 6، واسحب الإزميل خارج حامل الأداة 8.

تحديد نمط التشغيل (شكل A)

الطرق فقط:



لأغراض النحت والهدم. من الممكن استخدام الأداة في هذا الوضع كعتلة لتحرير لقمة المثقاب المهروسة.

1. لاختيار وضع التشغيل، قم بإدارة مفتاح محدد الوضع 2 حتى يُشير إلى علامة الوضع المرغوب فيه.
2. قد يكون من الضروري لف حامل الأداة 8 قليلاً للسماح لمفتاح محدد الوضع 2 اجتياز الوضع 0.
2. تأكد من أن مفتاح محدد الوضع 2 مغلق في موضعه.

فهرسة وضع الإزميل (الشكل D)

يمكن فهرسة الإزميل وقفله في 18 موضعًا مختلفًا.

1. قمر بلف مفتاح محدد الوضع 2 حتى يُشير نحو الموضع 0.
2. أدر الإزميل إلى الوضع المرغوب.
3. اضبط مفتاح محدد الوضع 2 على وضع «الطرق فقط».
4. قمر بلف الإزميل حتى يُغلق في الموضع.

التشغيل

تعليمات الاستخدام

تحذير: التزم دومًا بتعليمات الأمان واللوائح المعمول بها.



تحذير: لتقليل خطر التعرض للإصابة الشخصية الجسيمة، قمر بإيقاف تشغيل الأداة وفصلها من مصدر الطاقة قبل إجراء أي عمليات ضبط، أو إزالة/الملحقات أو الإكسسوارات. تأكد من أن مفتاح التشغيل في وضع OFF (إيقاف التشغيل). قد يؤدي بدء التشغيل غير المقصود إلى حدوث إصابة.



تحذير: قد تكون أزميل الأداة ساخنة فيجب ارتداء القفازات عند تغييرها أو إزالتها لتجنب الإصابة الشخصية.



تحذير:

- كن على دراية بموقع الأنياب والأسلاك.
- اضبط برق فقط على الأداة (20 كغمر تقريباً). القوة المفرطة لا تؤدي إلى تسريع عملية الهدم فحسب ولكنها تقلل من أداء الأداة وقد تقصر من عمر تشغيل الأداة.
- قمر دومًا بإمسك الأداة بإحكام بكتني يديك وضمان وجود مسافة آمنة. قمر دومًا بتشغيل الأداة والمقبض الجانبي مركب بطريقة صحيحة.

ملاحظة: درجة حرارة التشغيل في 7°- إلى 40°+ مئوية (19° إلى 104°+ فهرنهايت). استخدام الأداة خارج درجات الحرارة هذه سوق يقلل من عمر الأداة.

الوضع اليدوي الصحيح (الشكل رقم E)

تحذير: لتقليل خطر حدوث الإصابة الشخصية الجسيمة، استخدم دومًا الوضع اليدوي الملائم كما هو موضح.



تحذير: لتخفيف خطر التعرض للإصابة الشخصية الجسيمة، أمسك دومًا الأداة بإحكام عند توقع حدوث رد فعل مفاجئ.



يتطلب الوضع اليدوي الملائم استخدام يد واحدة على المقبض الجانبي 3، مع وجود اليد الأخرى على المقبض الرئيسي 4.

التشغيل وإيقاف التشغيل (شكل A)

من أجل تشغيل الأداة، قمر بالضغط على مفتاح التشغيل/ إيقاف التشغيل 1 في الجزء الأسفل من المُشغل.

من أجل إيقاف تشغيل الأداة، قمر بالضغط على مفتاح التشغيل/ إيقاف التشغيل في الجزء الأعلى من المُشغل.

وضع كود التاريخ (الشكل A)

كود التاريخ 9 الذي يتضمن كذلك عام التصنيع، مطبوع في الغلاف.

مثال:

2017 XX XX

سنة التصنيع

الوصف (شكل A، B)

تحذير: لا تقم مطلقاً بتعديل الأداة الكهربائية أو أي جزء منها. فقد ينجم عن ذلك التلف أو الإصابة الشخصية.

1. مفتاح التشغيل/ إيقاف التشغيل
2. مفتاح محدد الوضع
3. المقبض الجانبي
4. المقبض الرئيسي
5. مشبك المقبض الجانبي
6. كمر الإغلاق
7. طوق
8. حامل الأداة

الاستخدام المقصود

صُممت مطرقة التكسير لأغراض استخدامات التكسير والنحت والهدم المهني.

لا تستخدمها في ظروف البلبل أو في وجود سوائل أو غازات قابلة للاشتعال.

المطارق عبارة عن أدوات كهربائية مهنية.

• لا تدع الأطفال يلعبون بالأداة. يكون الإشراف أمرًا ضروريًا عند استخدام مشغل قليل الخبرة لهذه الأداة.

• هذا المنتج غير مخصص للاستخدام من قبل الأفراد (بما في ذلك الأطفال) الذين يعانون من قصور في القدرات الجسدية أو الحسية أو العقلية، وقلة الخبرة أو المعرفة أو المهارات ما لم يكونوا تحت إشراف من يتحمل مسؤولية سلامتهم. لا ينبغي أن يُترك الأطفال وحدهم مع هذا المنتج.

عمليات التجميع والضبط

تحذير: لتقليل خطر التعرض للإصابة الشخصية الجسيمة، قمر بإيقاف تشغيل الأداة وفصلها من مصدر الطاقة قبل إجراء أي عمليات ضبط، أو إزالة/تركيب



الملحقات أو الإكسسوارات. تأكد من أن مفتاح التشغيل في وضع OFF (إيقاف التشغيل).

قد يؤدي بدء التشغيل غير المقصود إلى حدوث إصابة.



تحذير: قد تكون لفر الأداة ساخنة فيجب ارتداء القفازات عند تغييرها أو إزالتها لتجنب الإصابة الشخصية.

تركيب المقبض الجانبي (الشكل B)

يتم تثبيت المقبض الجانبي (3) بمنطقة التركيب (12) بعلبة التروس ويمكن أن تتم إدارته بزاوية 360 درجة من أجل السماح باستخدامه باليد اليمنى أو باليد اليسرى. يجب أن يتم تثبيت المقبض الجانبي بإحكام لمقاومة فعل الانثناء للأداة إذا توقفت الأداة عن العمل أو إذا تعرضت لإعاقة من أي نوع. تحقق من الإمسك بالمقبض الجانبي من الطرف البعيد للسيطرة على الأداة أثناء التوقف.

لإرخاء المقبض الجانبي، قمر بإدارته عكس اتجاه حركة عقارب الساعة.

إدخال وإزالة ملحقات SDS Max (الشكلان C1، C2، A)

تستعمل هذه الآلة أزميل SDS Max (يرجى الرجوع إلى الصورة الداخلية في الشكل C2 لرؤية المقطع العرضي لساق الإزميل SDS Max).

1. قمر بتنظيف ساق الإزميل.
2. قمر بسحب كمر الإغلاق 6 للخلف وأدخل ساق الإزميل.
3. قمر بلف الإزميل قليلاً حتى يطبق الكمر في الموضع الصحيح.
4. اسحب الإزميل للتحقق إذا ما كان مقفلًا بطريقة صحيحة أم لا. تتطلب وظيفة الطرق أن يكون الإزميل قادرًا على التحرك بشكل محوري عند تثبيتها عندما يتم قفله في حامل الأداة.

التكسير والنحت (شكل A)

1. أدخل الإزميل المناسب وأدره باليد لإلقائه في وضع من بين 18 وضع.
2. اضبط مفتاح محدد الوضع 2 على وضع «الطرق فقط».
3. قمر بملامة وضبط المقبض الجانبي 3.
4. قمر بتشغيل الأداة وابدأ العمل.
5. قمر دوماً بإيقاف تشغيل الأداة عند الانتهاء من العمل وقبل فصل القابس.

الصيانة

تم تصميم الأداة الكهربائية DeWALT الخاصة بك للعمل خلال فترة زمنية طويلة مع أدنى حد من الصيانة. يعتمد التشغيل المرضي المتواصل على العناية الملائمة بالأداة وتنظيفها بشكلٍ منتظم.

- تحذير:** ل تقليل خطر التعرض للإصابة الشخصية الجسيمة، قمر بإيقاف تشغيل الأداة وفصلها من مصدر الطاقة قبل إجراء أي عمليات ضبط، أو إزالة/تركيب الملحقات أو الإكسسوارات. تأكد من أن مفتاح التشغيل في وضع OFF (إيقاف التشغيل). قد يؤدي بدء التشغيل غير المقصود إلى حدوث إصابة.

الفرش

فرش الكربون ليست قابلة للصيانة من قبل المستخدم. خذ الأداة إلى مركز خدمة معتمد تابع لـ DeWALT.



التشحيم

لا تحتاج الأداة الكهربائية الخاصة بك إلى أي تشحيم إضافي.



التنظيف

- تحذير:** قمر بنفخ الأتربة والغبار خارج التجويف الرئيسي بواسطة الهواء الجاف عدد أكبر من المرات في حال مشاهدة تجمع الأتربة بداخل المنافذ الهوائية وحولها. قمر بارئداء واقى العين المعتمد وكمامة الأتربة المعتمدة عند تنفيذ هذا الإجراء.
- تحذير:** لا تقمر مطلقاً باستخدام مذيبات أو أي مواد كيميائية قاسية أخرى لتنظيف الأجزاء غير المعدنية بالأداة. إذ قد تضعف هذه المواد الكيميائية من المواد المستخدمة في هذه الأجزاء. استخدم قطعة قماش مبللة بالماء والصابون الخفيف فقط. لا تسمح قط بدخول أي سائل إلى الأداة، ولا تقمر مطلقاً بغمر أي جزء من الأداة في السائل.

الملحقات الاختيارية

- تحذير:** نظراً لأن الملحقات، بخلاف تلك التي اعتمدها DeWALT، لم تخضع للاختبار مع هذا المنتج، فإن استخدام مثل هذه الملحقات مع الأداة قد يشكل خطورة. لتقليل خطر وقوع إصابة، يجب استخدام ملحقات DeWALT الموصى بها فقط مع هذا المنتج.
- استشر وكيلك لمعرفة المزيد من المعلومات حول الملحقات الملائمة.

حماية البيئة

- التجميع المنفصل. يجب عدم التخلص من المنتجات والبطاريات المحددة بهذا الرمز من خلال القمامة المنزلية العادية. فهذه المنتجات والبطاريات تحتوي على مواد يمكن استعادتها أو إعادة تدويرها لخفض الطلب على المواد الخام. الرجاء التخلص من المنتجات الكهربائية والبطاريات وفقاً للقوانين المحلية. توجد معلومات إضافية متوفرة على الموقع



www.2helpU.com

Afghanistan	Ariana Hafiz Zabi Co. Ltd. Dahan Bagh Squire Karte Ariana, Kabul, Afghanistan	info@arianahafiz.com	Tel: 93-0-799331079 Fax: 93-0-700007576 / 93-0-799331079
Algeria	Sarf Outillage Corporation 08, Rue Med Boudiaf (ex TELLA Achen) Cheraga, Alger	hakim.merdjadi@outillage-dz.com lyes@outillage-dz.com Mali.faiza@outillage-dz.com; sidahmed@outillage-dz.com	Tel: 213-0-21375130 213-0-21375131 Fax: 213-0-21369667
Angola	Angoferraria, Lda. Rua Robert Shields, nº 61, Luanda, Angola	angoferraria@gmail.com sequeira.angoferraria@gmail.com	Tel: 244-222-395837 / 244-222-395034 Fax: 244-222-394790
Azerbaijan	Royalton Holdings Ltd. 41 Khagani St. Apt. 47 AZ1001 Baku- Azerbaijan	jai@royaltonholdings.com office@royaltonholdings.com	Tel: 994-12-4935544 Fax: 994-12-5980378
Egypt	ElFarab S.A.E. 15-Nabil El Wakkad Street, Dokki, Giza, Egypt	elfarab@elfarab.com adel.ezzat@elfarab.com mahmoud.elhosseiny@elfarab.com	Tel: 202-37603946 Fax: 202-33352796
Ethiopia	Seif Tewfik Sherif Arada Sub City, Kebele 01/02, Global Insurance Bldg., 2nd Flr., Room 43, P.O. Box 2525, Addis Ababa	seif@ethionet.et nawanag@ethionet.et	Tel: 251-11-1563968 251-11-1563969 Fax: 251-11-1558009
Iraq	Al-Sard Co. for General Trading Ltd Jbara Bldg. 3Flr. Al Rasheed St., Baghdad, Iraq	dewalt.service@yahoo.com	Tel: 964-18184102
Jordan	Amman West Stores-Bashti 210 Garden St. Tla'a Ali, P.O. Box 1564 Tla Ali Amman 11953, Jordan	ali@bашitstores.com yousef@bашitstores.com	Tel: 962-6-5350009 Fax: 962-6-5350012
Kenya	Dextron Tools Ltd. P.O. Box 20121-00200, Shariff House, Kimathi Street, Nairobi	info@alibhaisariff.co.ke dextron@alibhaisariff.co.ke	Tel: 254-20-6905000 254-20-2358021 Fax: 254-20-6905111 / 254-20-6905112
Lebanon	Est. Shaya & Azar S.A.R.L. Boulevard Jdeideh - Mar Takla - Bouchrieh . P.O. Box 90545, Jdeideh. Beirut - Lebanon	shayazar@dm.net.lb	Tel: 961 1 872305 961 1 872306 Fax: 961 1 872303
Libya	North Africa Trading (El Ghoul Brothers) P.O. Box 348, 7 October Street 11 Benghazi	maryam_farooq2003@yahoo.com nagte@eim.ae dewalt_libya@yahoo.com	Tel: 218-061-3383994 Fax: 218-092-7640688
	North Africa Trading (El Ghoul Brothers) AlBarniq DeWALT Center, Mokhazin-elsukar St. ElFallah, Tripoli	dewalt_libya@yahoo.com	Tel: 218-021-3606430 Fax: 218-092-6514813
	North Africa Trading (El Ghoul Brothers) AlHilal Service Center Tawergha St., Misurata		Tel: 218-091-3221408
Mauritius	Robert Le Marie Limited Old Moka Road, Bell Village, P.O. Box 161, Port Louis	a.blackburn.rlm@ringroup.mu jm.pierelouis.rlm@ringroup.mu	Tel: 230-212 1865 230-212 2847 Fax: 230-2080843
Morocco	Ets Louis Guillaud & Cie 31, Rue Pierre Parent, Casablanca - 21000	boumadiane.azedine@elg.ma doukkali.marouane@elg.ma	Tel: 522-301446 / 305971 / 317815 / 315576 Fax: 522-444518 / 317888
Nigeria	Meridian Power Tools Ltd. Gr. Floor, #1 Alhaji Masha Rd, Next to Teslim Balogun Stadium, Near National Stadium Surulere, Lagos, Nigeria	braj@meridian-nigeria.com	Tel: 234-1-7740431 234-1-7740410 Fax: 234-1-7913798
Pakistan	Northern Toolings (Pvt) Ltd -Lahore 86- Railway Road, Lahore - 7 Pakistan	zhayee@northern.pk import@northern.pk sales@northern.pk	Tel: 92-423-7651220 92-423-7641675 Fax: 92-423-7641674
	Northern Toolings (Pvt) Ltd -Karachi 224-231 Industrial Town Plaza, Shahrah-e-Liaqat, Karachi, Pakistan	karachibr@northern.pk	Tel: 92-213-2465305 92-213-2465307 Fax: 92-213-2465301
	Northern Toolings (Pvt) Ltd -Taxila Al-Rehman Plaza, Opposite Tehsil Court, Faisal Shaheed Road, Taxila	taxilabr@northern.pk	Tel: 92-51-4545811 Fax: 92-51-4544194
South Africa	Benray Tool Wholesalers C.C. 91 Turfontein Road, Stafford, Johannesburg, 2001 P.O. Box 260037 EXCOM 2023, South Africa	dewalt.service@benray.co.za zain@benray.co.za shafiq@benray.co.za	Tel: 27-11-6838350 Fax: 27-11-6837456
Tanzania	General Motors Investment Ltd. 14 Vingunguti-Nyerere Road, P.O.Box 16541, Dar es Salaam, Tanzania	ezraz@gmi-tz.com info@gmi-tz.com chiwelesa@yahoo.com	Tel: 255-22-2865022 / 2862661 / 2862671 / 2862659 Fax: 255-22-2862667
Tunisia	Ets. Mohamed Ghorbel 03 Rue 8603 Chargaia I Tunis. Postal Code 2035	slim.ghorbel@gnet.tn moh.ghorbel@gnet.tn mourad.ghorbel@gnet.tn	Tel: 216-71794248 216-71793848 Fax: 216-71770759
Uganda	The Building Center (21) Ltd. 52 Station Road, Kitgum House, P.O. Box 7436 Kampala, Uganda	tbc@africaonline.co.ug chris@tbcu.co.ug	Tel: 256-041-4234567 256-041-4259754 Fax: 256-041-4236413
Yemen	Middle East Trading Co. (METCO) 5th Flr.Hayel Saeed Anam Bldg. Al-Mugamma St. Taiz, Yemen	tamer.metco@gmail.com tamer@metcotrading.com metco@metcotrading.com sami@metcotrading.com	Tel: 967-4-213455 Fax: 967-4-219869
	Middle East Trading Co. (METCO) Mualla Dakka, Aden	tamer.metco@gmail.com tamer@metcotrading.com metco@metcotrading.com	Tel: 967-2-222670 Fax: 967-2-222670
	Middle East Trading Co. (METCO) Hayel st., Sana'a, Yemen	tamer.metco@gmail.com tamer@metcotrading.com metco@metcotrading.com	Tel: 967-1-204201 Fax: 967-1-204204

UAE	Black & Decker (Overseas) GmbH P.O. Box 5420, Dubai	service.mea@blackdecker.com	Tel: 971-4 8127400 / 8127406 Fax: 971-4 2822765
	Ideal Star Workshop Eqpt. Trading LLC P.O. Box 37116, Al Quoz, Dubai	idealeq@emirates.net.ae	Tel: 971-4 3474160 Fax: 971-4 3474157
	Alebrah Engineering Service P.O. Box 78954, Al Qusais, Dubai	alebrah@eim.ae	Tel: 971-4 2850044 Fax: 971-4 2844802
	Burj Al Madeena Industrial Area No. 1, opp. Pakistani Masjid P.O. Box 37635, Sharjah	dewaltuae@hotmail.com	Tel: 971-6 5337747 Fax: 971-6 5337719
	McCoy Middle East LLC P.O. Box 25793, Sharjah	mccoy@emirates.net.ae	Tel: 971-6 5395931 Fax: 971-6 5395932
	McCoy Middle East LLC P.O. Box 10584, Ras Al Khaimah	mccoyrak@gmail.com	Tel: 971-7 2277095 Fax: 971-7 2277096
	Al Sukoon Gen. Trdg. Co. LLC P.O. Box 2975, Ajman	sukoon@eim.ae	Tel: 971-6 7435725 / 7438317 Fax: 971-6 7437350
	Zillion Equipment and Spare Parts Trading LLC P.O. Box 19740, opp. Bin Sadal / Trimix Hedymyt Sanaiya, Al Ain	zilliontrdg@gmail.com	Tel: 971-3 7216690 Fax: 971-3 7216103
	Light House Electrical, Abu Dhabi Branch P.O. Box 120, Abu Dhabi	dewalt_lhe@hotmail.com	Tel: 971-2 6726131 Fax: 971-2 6720667
	Light House Electrical, Musafih Branch P.O. Box 120, Abu Dhabi	dewalt_lhe@hotmail.com	Tel: 971-2 5548315 Fax: 971-2 5540461
Bahrain	Alfouz Services Co. WLL P.O. Box 26562, Tubli, Manama	alfouz@batelco.com.bh	Tel: 973 17783562 / 17879987 Fax: 973 17783479
	Kavalani & Sons W.L.L. P.O. Box 71, Sitra, Manama	info@kavalani.com pradeep@kavalani.com	Tel: 973 17732888 Fax: 973 17737379
Kuwait	Al Omar Technical Co. P.O. Box 4062, Safat 13041, Kuwait	alexotc@usa.net	Tel: 965 24848595 / 24840039 Fax: 965 24845652
	Fawaz Al Zayani Establishment P.O. Box 42426, Shop No.18, Al Humaizi Commercial Complex, Khalifa Al Jassim, Shuwaikh	dewaltkuwait@hotmail.com	Tel: 965 24828710 Fax: 965 24828716
	Fawaz Al Zayani Establishment Fahaheel Industrial Area, Main St., Sanaya	dewaltkuwait@hotmail.com	Tel: 965 23925830 Fax: 965 24828716
Oman	Al Jizzi Company LLC P.O. Box 1704, P.C. 112, Ruwi	aljizzed@omantel.net.om jizzi10@omantel.net.om	Tel: 968 24832618 / 24835153 Fax: 968 24831334 / 24836460
	Al Hassan Technical & Construction Supplies Co. LLC P.O. Box 1948, P.C. 112, Ruwi	hamriya.sr@al-hassan.com abrar.h@al-hassan.com	Tel: 968 24810575 / 24837054 Fax: 968 24810287 / 24833080
	Oman Hardware Co. LLC P.O. Box 635, Ruwi Postal Code 112	omanhard@omantel.net.om	Tel: 968 24815131 Fax: 968 24816491
	Khimji Ramdas P.O. Box 19, Post Code 100, Ghala, Muscat	bilal.m@khimjiramdas.com	Tel: 968 24595906/ 907 Fax: 968 24852752
Qatar	Teyseer Industrial Supplies & Services Co. WLL 55, Al Wakalat St. (Between St. 18 & 19) Salwa Industrial Area, P.O. Box 40523 Doha	manish@tissoo-qatar.com tool.service@tissoo-qatar.com	Tel: 974 4581536 Fax: 974 4682024
	Shaheen Electrical Works & Trading Co. WLL Gate 34, St. 44 Industrial Area P.O. Box 9756, Doha	shaheenelc@gmail.com	Tel: 974 460 02 30 / 460 05 25 Fax: 974 460 13 38
KSA	Industrial Material Organization (IMO) P.O. Box 623, Rail Street, Riyadh	service@imo.com.sa	Tel: 966-1 4028010 Ext. 26 Tel: 966-1 8001245757 Fax: 966-1 4037970
	Fawaz Ebrahim Al Zayani Trading Est. P.O. Box 76026, Al Raka : 31952	dewaltdammam@hotmail.com	Tel: 966-3 8140914 Fax: 966-3 8140824
	MSS (Al-Mojil Supply & Services) P.O. Box 450, Jubail 31951 Opp-Gulf Bridge Library & Riyadh House	mssjubail@almojilservices.com alex.chang@almojilservices.com	Tel: 966-3 3612850 / 3624487 Tel: 966-3 3621729 Fax: 966-3 3623589 / 3620783
	EAC (Al Yousef Contg. & Trdg. Est.) P.O. Box 30377, Jeddah -21477	golamkibria77@yahoo.com	Tel: 966-2 6519912 Fax: 966-2 6511153
	Mohamed Ahmed Bin Afif Est. P.O. Box 530, Yanbu, Al Bahr	binaffiybanbu@hotmail.com	Tel: 966-4 3222626 / 3228867 Fax: 966-4 3222210
	Garziz Trading for Bldg Mat & Decoration P.O. Box 3364, Madina	agarziz@yahoo.com	Tel: 966-4 826 14 90 / 822 76 36 Fax: 966-4 826 57 41
	Sultan Garment Factory (RSC) P.O. Box 29912, Riyadh 11467	rscservice@dlignet.net.sa	Tel: 966-1 4055148 / 4042889 Fax: 966-1 4055148
	Al Bawardi Tools & Hardware P.O. Box 112, Dammam 31411	asattar@albawardi.com nibanez@albawardi.com	Tel: 966-3 8330780 Ext. 24 Tel: 966-3 8348585 Ext. 24 Fax: 966-3 8336303
	Al Bawardi Tools & Hardware P.O. Box 68, Riyadh 11411	rbaltao@albawardi.com asamad@albawardi.com	Tel: 966-1 4484999 Fax: 966-3 4487877
	Al Bawardi Tools & Hardware P.O. Box 16905, Jeddah 21474	sharadij@albawardi.com fgaber@albawardi.com	Tel: 966-2 6444547 / 6439035 Tel: 966-2 6456095 Fax: 966-2 6439024