
DEWALT®

www.DEWALT.com

DCH363
DCH364

English (*original instructions*)

4

简体中文

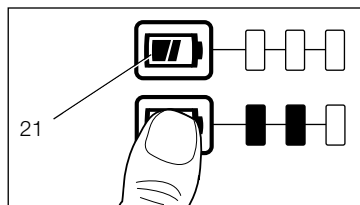
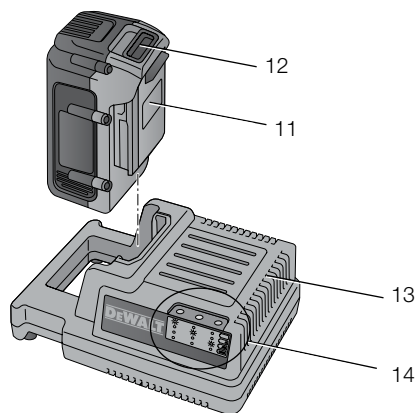
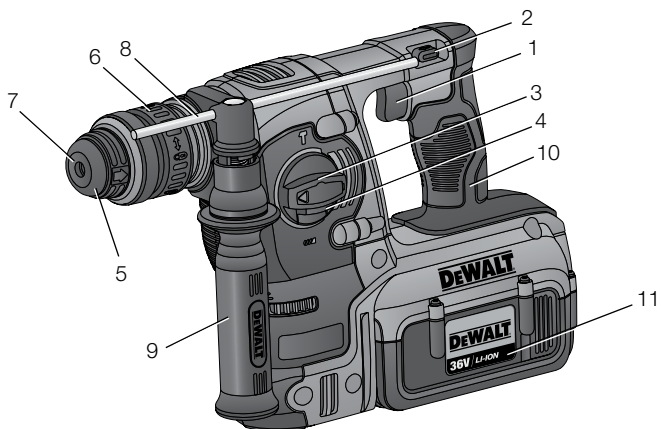
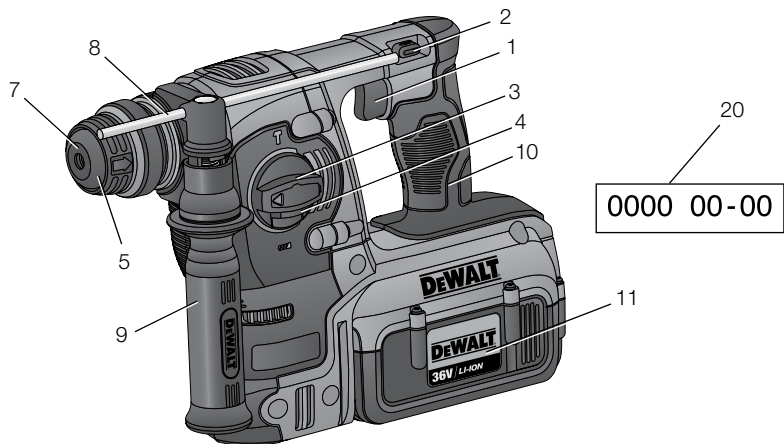
16

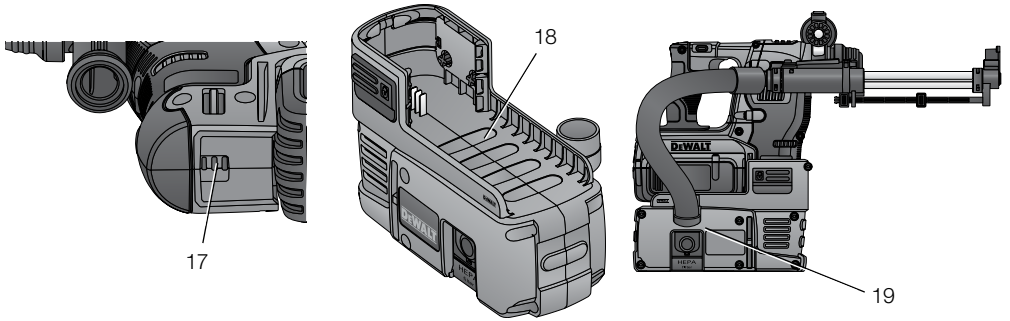
繁體中文

28

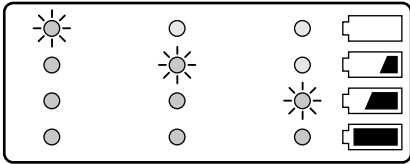
한국어

40

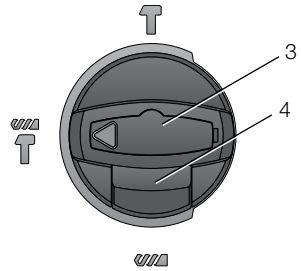




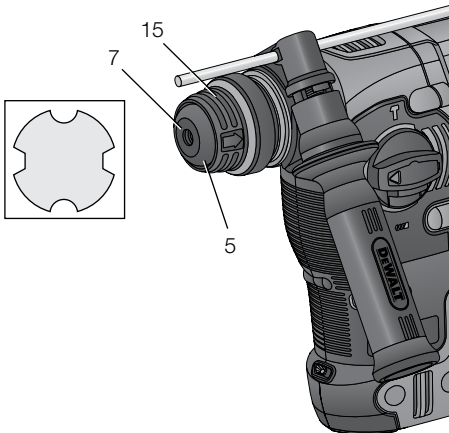
A1



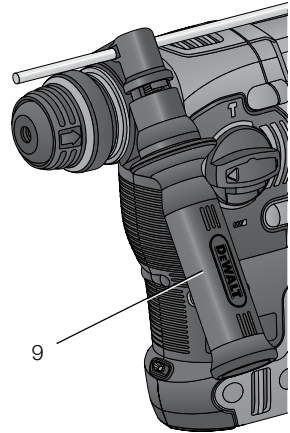
B



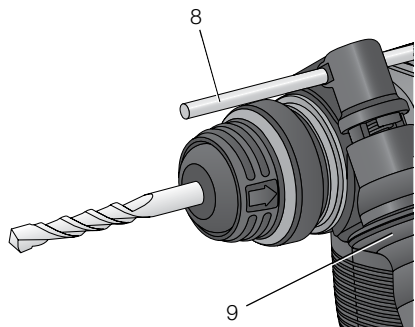
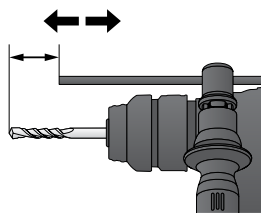
C



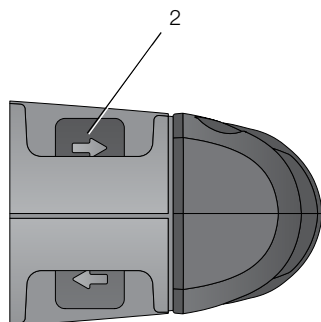
D



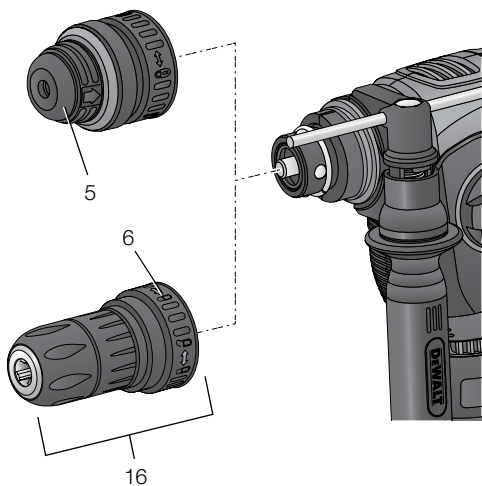
E



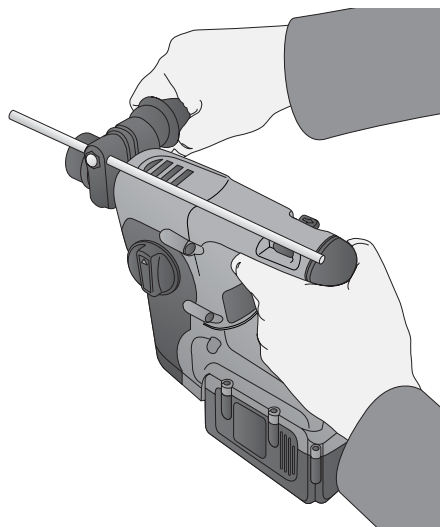
F



G



H



I

CORDLESS ROTARY HAMMERDRILL

DCH363, DCH364

Congratulations!

You have chosen a DEWALT tool. Years of experience, thorough product development and innovation make DEWALT one of the most reliable partners for professional power tool users.

Technical Data

		DCH363	DCH364
Voltage	V	36	36
Type		1	1
No-load speed	min ⁻¹	0–1100	0–1100
Power output	W	600	600
Impact energy (EPTA 05/2009)	J	2.3	2.3
Maximum drilling range in steel/wood/concrete	mm	13/30/26	13/30/26
Tool holder		SDS Plus®	SDS Plus®
Impacts per minute		4500	4500
Weight (without battery pack)	kg	2.6	2.8

Battery pack	DE9360	DCB360	DCB361
Voltage	V _{DC}	36	36
Capacity	Ah	2.0	4.0
Weight	kg	0.9	1.3
		0.9	
Charger	DE9000		
Mains voltage	V _{AC}	230	
Approx. charging time	min	90	45
		(4.0 Ah)	(2.0 Ah)
Weight	kg	0.9	

Definitions: Safety Guidelines

The definitions below describe the level of severity for each signal word. Please read the manual and pay attention to these symbols.



DANGER: Indicates an imminently hazardous situation which, if not avoided, **will** result in **death or serious injury**.



WARNING: Indicates a potentially hazardous situation which, if not avoided, **could** result in **death or serious injury**.



CAUTION: Indicates a potentially hazardous situation which, if not avoided, **may** result in **minor or moderate injury**.

NOTICE: indicates a practice **not related to personal injury** which, if not avoided, **may** result in **property damage**.



Denotes risk of electric shock.



Denotes risk of risk of fire.



WARNING: To reduce the risk of injury, read the instruction manual.

General Power Tool Safety Warnings



WARNING! Read all safety warnings and all instructions. Failure to follow the warnings and instructions may result in electric shock, fire and/or serious injury.

SAVE ALL WARNINGS AND INSTRUCTIONS FOR FUTURE REFERENCE

The term "power tool" in the warnings refers to your mains-operated (corded) power tool or battery-operated (cordless) power tool.

1) WORK AREA SAFETY

- a) **Keep work area clean and well lit.** Cluttered or dark areas invite accidents.
- b) **Do not operate power tools in explosive atmospheres, such as in the presence of flammable liquids, gases or dust.** Power tools create sparks which may ignite the dust or fumes.
- c) **Keep children and bystanders away while operating a power tool.** Distractions can cause you to lose control.

2) ELECTRICAL SAFETY

- a) **Power tool plugs must match the outlet. Never modify the plug in any way. Do not use any adapter plugs with earthed (grounded) power tools.** Unmodified plugs and matching outlets will reduce risk of electric shock.
- b) **Avoid body contact with earthed or grounded surfaces such as pipes, radiators, ranges and refrigerators.** There is an increased risk of electric shock if your body is earthed or grounded.
- c) **Do not expose power tools to rain or wet conditions.** Water entering a power tool will increase the risk of electric shock.
- d) **Do not abuse the cord. Never use the cord for carrying, pulling or unplugging the power tool. Keep cord away from heat, oil, sharp edges or moving parts.** Damaged or entangled cords increase the risk of electric shock.
- e) **When operating a power tool outdoors, use an extension cord suitable for outdoor use.** Use of a cord suitable for outdoor use reduces the risk of electric shock.
- f) **If operating a power tool in a damp location is unavoidable, use a residual current device (RCD) protected supply.** Use of an RCD reduces the risk of electric shock.

3) PERSONAL SAFETY

- a) **Stay alert, watch what you are doing and use common sense when operating a power tool. Do not use a power tool while you are tired or under the influence of drugs, alcohol or medication.** A moment of inattention while operating power tools may result in serious personal injury.
- b) **Use personal protective equipment. Always wear eye protection.** Protective equipment such as dust mask, non-skid safety shoes, hard hat, or hearing protection used for appropriate conditions will reduce personal injuries.
- c) **Prevent unintentional starting. Ensure the switch is in the off position before connecting to power source and/or battery pack, picking up or carrying the tool.** Carrying power tools with your finger on the switch or energising power tools that have the switch on invites accidents.
- d) **Remove any adjusting key or wrench before turning the power tool on.** A wrench or a key left attached to a rotating part of the power tool may result in personal injury.
- e) **Do not overreach. Keep proper footing and balance at all times.** This enables better control of the power tool in unexpected situations.
- f) **Dress properly. Do not wear loose clothing or jewellery. Keep your hair, clothing and gloves away from moving parts.** Loose clothes, jewellery or long hair can be caught in moving parts.
- g) **If devices are provided for the connection of dust extraction and collection facilities, ensure these are connected and properly used.** Use of dust collection can reduce dust-related hazards.

4) POWER TOOL USE AND CARE

- a) **Do not force the power tool. Use the correct power tool for your application.** The correct power tool will do the job better and safer at the rate for which it was designed.
- b) **Do not use the power tool if the switch does not turn it on and off.** Any power tool that cannot be controlled with the switch is dangerous and must be repaired.
- c) **Disconnect the plug from the power source and/or the battery pack from the power tool before making any adjustments, changing accessories, or storing power tools.** Such preventive safety measures reduce the risk of starting the power tool accidentally.

- d) **Store idle power tools out of the reach of children and do not allow persons unfamiliar with the power tool or these instructions to operate the power tool.** Power tools are dangerous in the hands of untrained users.
- e) **Maintain power tools. Check for misalignment or binding of moving parts, breakage of parts and any other condition that may affect the power tool's operation. If damaged, have the power tool repaired before use.** Many accidents are caused by poorly maintained power tools.
- f) **Keep cutting tools sharp and clean.** Properly maintained cutting tools with sharp cutting edges are less likely to bind and are easier to control.
- g) **Use the power tool, accessories and tool bits etc., in accordance with these instructions taking into account the working conditions and the work to be performed.** Use of the power tool for operations different from those intended could result in a hazardous situation.

5) BATTERY TOOL USE AND CARE

- a) **Recharge only with the charger specified by the manufacturer.** A charger that is suitable for one type of battery pack may create a risk of fire when used with another battery pack.
- b) **Use power tools only with specifically designated battery packs.** Use of any other battery packs may create a risk of injury and fire.
- c) **When battery pack is not in use, keep it away from other metal objects like paper clips, coins, keys, nails, screws or other small metal objects that can make a connection from one terminal to another.** Shorting the battery terminals together may cause burns or a fire.
- d) **Under abusive conditions, liquid may be ejected from the battery; avoid contact. If contact accidentally occurs, flush with water. If liquid contacts eyes, additionally seek medical help.** Liquid ejected from the battery may cause irritation or burns.

6) SERVICE

- a) **Have your power tool serviced by a qualified repair person using only identical replacement parts.** This will ensure that the safety of the power tool is maintained.

Additional Specific Safety Rules for Rotary Hammers

- **Wear ear protectors.** Exposure to noise can cause hearing loss.
- **Use auxiliary handle(s) if supplied with the tool.** Loss of control can cause personal injury.
- **Hold the power tool by insulated gripping surfaces when performing an operation where the cutting accessory may contact hidden wiring.** Cutting accessory contacting a "live" wire will make exposed metal parts of the tool "live" and could give the operator an electric shock.
- **Use clamps or other practical way to secure and support the workpiece to a stable platform.** Holding the work by hand or against your body is unstable and may lead to loss of control.
- **Wear safety goggles or other eye protection.** Hammering operations cause chips to fly. Flying particles can cause permanent eye damage. Wear a dust mask or respirator for applications that generate dust. Ear protection may be required for most applications.
- **Keep a firm grip on the tool at all times. Do not attempt to operate this tool without holding it with both hands.** It is recommended that the side handle be used at all times. Operating this tool with one hand will result in loss of control. Breaking through or encountering hard materials such as re-bar may be hazardous as well. Tighten the side handle securely before use.
- **Do not operate this tool for long periods of time.** Vibration caused by hammer action may be harmful to your hands and arms. Use gloves to provide extra cushion and limit exposure by taking frequent rest periods.
- **Do not recondition bits yourself.** Chisel reconditioning should be done by an authorized specialist. Improperly reconditioned chisels could cause injury.
- **Wear gloves when operating tool or changing bits.** Accessible metal parts on the tool and bits may get extremely hot during operation. Small bits of broken material may damage bare hands.
- **Never lay the tool down until the bit has come to a complete stop.** Moving bits could cause injury.
- **Do not strike jammed bits with a hammer to dislodge them.** Fragments of metal or material chips could dislodge and cause injury.

- *Slightly worn chisels can be resharpened by grinding.*
- *Keep the power cord away from the rotating bit. Do not wrap the cord around any part of your body. An electric cord wrapped around a spinning bit may cause personal injury and loss of control.*

Residual Risks

The following risks are inherent to the use of rotary hammers:

- Injuries caused by touching the rotating parts or hot parts of the tool.

In spite of the application of the relevant safety regulations and the implementation of safety devices, certain residual risks cannot be avoided. These are:

- Impairment of hearing.
- Risk of squeezing fingers when changing the accessory.
- Health hazards caused by breathing dust developed when working in concrete and/or masonry.

Markings on Tool

The following pictograms are shown on the tool:



Read instruction manual before use.



Wear ear protection.



Wear eye protection.

DATE CODE POSITION (FIG. A)

The Date Code (20) which also includes the year of manufacture, is printed into the housing surface that forms the mounting joint between tool and battery.

Example:

2014 XX XX

Year of Manufacture

Important Safety Instructions for All Battery Chargers

SAVE THESE INSTRUCTIONS: *This manual contains important safety and operating instructions for the DE9000/DC9000 battery charger.*

- *Before using charger, read all instructions and cautionary markings on charger, battery pack, and product using battery pack.*



DANGER: *Electrocution hazard. 230 volts are present at charging terminals. Do not probe with conductive objects. Electric shock or electrocution may result.*



WARNING: *Shock hazard. Do not allow any liquid to get inside charger. Electric shock may result.*



CAUTION: *Burn hazard. To reduce the risk of injury, charge only DEWALT rechargeable batteries. Other types of batteries may burst causing personal injury and damage.*



CAUTION: *Under certain conditions, with the charger plugged in to the power supply, the exposed charging contacts inside the charger can be shorted by foreign material. Foreign materials of a conductive nature such as, but not limited to, steel wool, aluminum foil, or any buildup of metallic particles should be kept away from charger cavities. Always unplug the charger from the power supply when there is no battery pack in the cavity. Unplug charger before attempting to clean.*

- **DO NOT attempt to charge the battery pack with any chargers other than the ones in this manual.** *The charger and battery pack are specifically designed to work together.*
- **These chargers are not intended for any uses other than charging DEWALT rechargeable batteries.** *Any other uses may result in risk of fire, electric shock or electrocution.*
- **Do not expose charger to rain or snow.**
- **Pull by plug rather than cord when disconnecting charger.** *This will reduce risk of damage to electric plug and cord.*
- **Make sure that cord is located so that it will not be stepped on, tripped over, or otherwise subjected to damage or stress.**
- **Do not use an extension cord unless it is absolutely necessary.** *Use of improper extension cord could result in risk of fire, electric shock, or electrocution.*
- **Do not place any object on top of charger or place the charger on a soft surface that might block the ventilation slots and result in excessive internal heat.** *Place the charger in a position away from any heat source. The charger is ventilated through slots in the top and the bottom of the housing.*

- **Do not operate charger with damaged cord or plug** — have them replaced immediately.
- **Do not operate charger if it has received a sharp blow, been dropped, or otherwise damaged in any way.** Take it to an authorised service center.
- **Do not disassemble charger; take it to an authorized service center when service or repair is required.** Incorrect reassembly may result in a risk of electric shock, electrocution or fire.
- **Disconnect the charger from the outlet before attempting any cleaning. This will reduce the risk of electric shock.** Removing the battery pack will not reduce this risk.
- **NEVER attempt to connect 2 chargers together.**
- **The charger is designed to operate on standard 230 V household electrical power. Do not attempt to use it on any other voltage.** This does not apply to the vehicular charger.

SAVE THESE INSTRUCTIONS

Chargers

The DE9000 chargers accept 36 V Li-Ion batteries only.

This charger requires no adjustment and is designed to be as easy as possible to operate.

Charging Procedure (fig. A, B)



DANGER: Electrocution hazard.
230 volts present at charging terminals.
Do not probe with conductive objects.
Danger of electric shock or electrocution.

1. Plug the charger (13) into an appropriate outlet before inserting battery pack.
2. Insert the battery pack into the charger. The charger is equipped with a three-light fuel gauge that will blink according to the state of charge of the battery pack.
3. The completion of charge will be indicated by the red light remaining ON continuously. The pack is fully charged and may be used at this time or left in the charger.

NOTE: To ensure maximum performance and life of Li-Ion batteries, charge the battery pack fully before first use.

Charging Process

Refer the table below for the state of charge of the battery pack.

State of charge	
1 light blinking	< 33%
1 light blinking, 1 light on	33–66%
1 light blinking, 2 lights on	66–99%
3 lights on	100%

Automatic Refresh

The automatic refresh mode will equalise or balance the individual cells in the battery pack at its peak capacity. Battery packs should be refreshed weekly or whenever the pack no longer delivers the same amount of work.

To refresh your battery pack, place the battery in the charger as usual. Leave the battery pack for at least 10 hours in the charger.

Hot/Cold Pack Delay

When the charger detects a battery that is too hot or too cold, it automatically starts a Hot/Cold Pack Delay, suspending charging until the battery has reached an appropriate temperature. The charger then automatically switches to the pack charging mode. This feature ensures maximum battery life.

LI-ION BATTERY PACKS ONLY

Li-Ion batteries are designed with an Electronic Protection System that will protect the battery against overloading, overheating or deep discharge.

The tool will automatically turn off if the Electronic Protection System engages. If this occurs, place the Li-Ion battery on the charger until it is fully charged.

Important Safety Instructions for All Battery Packs

When ordering replacement battery packs, be sure to include catalogue number, voltage and amp hour.

The battery pack is not fully charged out of the carton. Before using the battery pack and charger, read the safety instructions below. Then follow charging procedures outlined.

READ ALL INSTRUCTIONS

- **Do not charge or use battery in explosive atmospheres, such as in the presence of flammable liquids, gases or dust.** Inserting or removing the battery from the charger may ignite the dust or fumes.
- **Charge the battery packs only in DEWALT chargers.**

- **DO NOT** splash or immerse in water or other liquids.
- **Do not store or use the tool and battery pack in locations where the temperature may reach or exceed 40 °C (such as outside sheds or metal buildings in summer).**



DANGER: Never attempt to open the battery pack for any reason. If battery pack case is cracked or damaged, do not insert into charger. Do not crush, drop or damage battery pack. Do not use a battery pack or charger that has received a sharp blow, been dropped, run over or damaged in any way (i.e., pierced with a nail, hit with a hammer, stepped on). Electric shock or electrocution may result. Damaged battery packs should be returned to service center for recycling.



CAUTION: When not in use, place tool on its side on a stable surface where it will not cause a tripping or falling hazard. Some tools with large battery packs will stand upright on the battery pack but may be easily knocked over.

SPECIFIC SAFETY INSTRUCTIONS FOR LITHIUM ION (Li Ion)

- **Do not incinerate the battery pack even if it is severely damaged or is completely worn out.** The battery pack can explode in a fire. Toxic fumes and materials are created when lithium ion battery packs are burned.
- **If battery contents come into contact with the skin, immediately wash area with mild soap and water.** If battery liquid gets into the eye, rinse water over the open eye for 15 minutes or until irritation ceases. If medical attention is needed, the battery electrolyte is composed of a mixture of liquid organic carbonates and lithium salts.
- **Contents of opened battery cells may cause respiratory irritation.** Provide fresh air. If symptoms persists, seek medical attention.



WARNING: Burn hazard. Battery liquid may be flammable if exposed to spark or flame.

Transportation

DEWALT batteries comply with all applicable shipping regulations as prescribed by industry and legal standards which include UN Recommendations on the Transport of Dangerous Goods; International Air Transport Association (IATA) Dangerous Goods Regulations, International Maritime Dangerous Goods (IMDG) Regulations, and the European Agreement Concerning The International Carriage of Dangerous Goods by Road (ADR). Lithium-ion cells and batteries have been tested to section 38.3 of the UN Recommendations on the Transport of Dangerous Goods Manual of Tests and Criteria.

In most instances, shipping a DEWALT battery pack will be excepted from being classified as a fully regulated Class 9 Hazardous material. In general, the two instances that require shipping Class 9 are:

1. Air shipping more than two DEWALT lithium-ion battery packs when the package contains only battery packs (no tools), and
2. Any shipment containing a lithium-ion battery with an energy rating greater than 100 watt hours (Wh). All lithium-ion batteries have the watt hour rating marked on the pack.

Regardless of whether a shipment is considered excepted or fully regulated, it is the shipper's responsibility to consult the latest regulations for packaging, labeling/marketing and documentation requirements.

Transporting batteries can possibly cause fire if the battery terminals inadvertently come in contact with conductive materials. When transporting batteries, make sure that the battery terminals are protected and well insulated from materials that could contact them and cause a short circuit.

The information provided in this section of the manual is provided in good faith and believed to be accurate at the time the document was created. However, no warranty, expressed or implied, is given. It is the buyer's responsibility to ensure that its activities comply with the applicable regulations.

Battery Pack

BATTERY TYPE

The DCH363 and DCH364 operate on 36 volt Li-Ion battery packs.

Storage Recommendations

1. The best storage place is one that is cool and dry away from direct sunlight and excess heat or cold. For optimum battery performance and life, store battery packs at room temperature when not in use.

NOTE: Li-Ion battery packs should be fully charged when stored.

2. Long storage will not harm the battery pack or charger. Under proper conditions, they can be stored for up to 5 years.

Labels on Charger and Battery Pack

In addition to the pictographs used in this manual, the labels on the charger and the battery pack show the following pictographs:



Read instruction manual before use.



See **Technical Data** for charging time



Do not expose to water



Do not probe with conductive objects



Do not charge damaged battery packs



Do not use damaged chargers



Charge only between 4 °C and 40 °C



Have defective cords replaced immediately



Charger problem



Battery problem



Discard the battery pack with due care for the environment



Do not incinerate the battery pack



Charge DEWALT battery packs only with designated DEWALT chargers. Charging battery packs other than the designated DEWALT batteries with a DEWALT charger may make them burst or lead to other dangerous situations.

Package Contents

The package contains:

- 1 Cordless rotary hammerdrill
- 1 Side handle
- 1 Depth adjustment rod
- 1 Dust extraction system
- 1 Keyless chuck (DCH364)
- 2 Battery packs (D2, M2)
- 1 Battery pack (D1, M1)
- 1 Charger
- 1 Kitbox
- 1 Instruction manual

NOTE: Battery packs and chargers are not included with N-models.

- Check for damage to the tool, parts or accessories which may have occurred during transport.
- Take the time to thoroughly read and understand this manual prior to operation.

Description (fig. A, A1, D, H)



WARNING: Never modify the power tool or any part of it. Damage or personal injury could result.

- 1 Variable speed switch
- 2 Forward/reverse slider
- 3 Mode selector
- 4 Safety lock
- 5 SDS Plus® tool holder
- 6 Locking collar
- 7 Dust cover
- 8 Depth adjustment rod
- 9 Side handle
- 10 Main handle
- 11 Battery pack
- 12 Release button
- 13 Charger
- 14 Charging indicators (red)
- 15 Tool holder locking sleeve
- 16 Keyless chuck

INTENDED USE

Your cordless rotary hammerdrills have been designed for professional drilling, hammerdrilling and screwdriving applications as well as for light chipping.

DO NOT use under wet conditions or in presence of flammable liquids or gases.

These heavy-duty rotary hammerdrills are professional power tools. **DO NOT** let children come into contact with the tool. Supervision is required when inexperienced operators use this tool.

- **Young children and the infirm.** This appliance is not intended for use by young children or infirm persons without supervision.
- This product is not intended for use by persons (including children) suffering from diminished physical, sensory or mental abilities; lack of experience, knowledge or skills unless they are supervised by a person responsible for their safety. Children should never be left alone with this product.

DUST EXTRACTION SYSTEM (FIG. A1)

- 17 Electrical pins for dust extraction system
- 18 Dust extraction system (D25302DH)*
- 19 Dust extraction system attached to rotary hammerdrill

*The dust extraction system (D25302DH) can be purchased separately from your nearest authorised DEWALT dealer at additional cost.

OVERLOAD CLUTCH

In case of jamming of a drill bit, the drive to the drill spindle is interrupted. Because of the resulting forces, always hold the tool with both hands and take a firm stance.

BRAKE MECHANISM

When the variable speed switch is released, the spindle will stop rotating instantly.

ACTIVE VIBRATION CONTROL

The active vibration control neutralises rebound vibration from the hammer mechanism. Lowering hand and arm vibration, it allows more comfortable use for longer periods of time and extends the life of the unit. In operation, a spring loaded mechanism counterbalances the vibration forces. This can be sensed by the cushioning effect when pressure is applied to the tool. Make sure the spring is engaged but not too firmly. The mechanism should be allowed to "float."

Electrical Safety

The electric motor has been designed for one voltage only. Always check that the battery pack voltage corresponds to the voltage on the rating plate. Also make sure that the voltage of your charger corresponds to that of your mains.



Your DEWALT charger is double insulated in accordance with IEC 60335; therefore no earth wire is required.

If the supply cord is damaged, it must be replaced by a specially prepared cord available through the DEWALT service organization.

Using an Extension Cable

An extension cord should not be used unless absolutely necessary. Use an approved extension cable suitable for the power input of your charger (see technical data). The minimum conductor size is 1 mm²; the maximum length is 30 m.

When using a cable reel, always unwind the cable completely.

ASSEMBLY AND ADJUSTMENT



WARNING: Prior to assembly and adjustment, always remove the battery pack. Always switch off the tool before inserting or removing the battery pack.



WARNING: Use only DEWALT battery packs and chargers.

Fitting and Removing the Battery Pack (fig. A)

- To fit the battery pack (11), line it up with the receptacle on the tool. Slide the battery pack into the receptacle and push until the battery snaps into place.
- To remove the battery pack, push the release button (12) while at the same time pulling the battery pack out of the receptacle.

FUEL GAUGE BATTERY PACKS (FIG. A)

Some DEWALT battery packs include a fuel gauge which consists of three green LED lights that indicate the level of charge remaining in the battery pack.

To actuate the fuel gauge, press and hold the fuel gauge button (21). A combination of the three green LED lights will illuminate designating the level of charge left. When the level of charge in the battery is below the usable limit, the fuel gauge will not illuminate and the battery will need to be recharged.

NOTE: The fuel gauge is only an indication of the charge left on the battery pack. It does not indicate tool functionality and is subject to variation based on product components, temperature and end-user application.

Selecting the Operating Mode (fig. C)

The tool can be used in the following operating modes:



Rotary drilling: for screwdriving and for drilling into steel, wood and plastics



Hammer drilling: for concrete and masonry drilling



Hammering only: for light chipping

- To select the operating mode, press the safety lock (4) and rotate the mode selector switch (3) until it points to the symbol of the required mode.
- Release the safety lock and check that the mode selector switch is locked in place.



WARNING: Do not select the operating mode when the tool is running.

Inserting and Removing SDS Plus® Accessories (fig. D)

Your rotary hammerdrill uses SDS Plus® accessories (refer to the inset in fig. D for a cross-section of an SDS Plus® bit shank).

- Clean and grease the SDS Plus® bit shank.
- Insert the SDS Plus® bit shank into the SDS Plus® tool holder (5).
- Push the bit down and turn it slightly until it fits into the slots.
- Pull on the bit to check if it is properly locked. The hammering function requires the bit to be able to move axially several centimetres when locked in the SDS Plus® tool holder.
- To remove a bit, pull back the SDS Plus® tool holder locking sleeve (15) and pull out the bit.

Fitting the Side Handle (fig. E)

The side handle (9) can be fitted to suit both right-hand and left-hand users.



WARNING: Do not use the tool without the side handle properly assembled.

- Loosen the side handle.
- For RH-users, slide the side handle clamp over the collar behind the tool holder, handle at the left.
- For LH-users, slide the side handle clamp over the collar behind the tool holder, handle at the right.

- Rotate the side handle to the desired position and tighten the handle.

Setting the Drilling Depth (fig. F)

- Insert the required drill bit.
- Slacken the side handle (9).
- Fit the depth adjustment rod (8) through the hole in the side handle clamp.
- Adjust the drilling depth as shown.
- Tighten the side handle.

Forward/Reverse Slider (fig. G)

- Push the forward/reverse slider (2) to the LH-side for forward (RH) rotation. See arrows on tool.
- Push the forward/reverse slider (2) to the RH-side for reverse (LH) rotation.



CAUTION: Always wait until the motor has come to a complete standstill before changing the direction of rotation.

Replacing the SDS Plus® Tool Holder with the Keyless Chuck (fig. H)

DCH364

- Turn the locking collar (6) into the unlocked position and pull the SDS Plus® tool holder (5) off.
- Push the keyless chuck (16) onto the spindle and turn the locking collar into the locked position.
- To replace the keyless chuck with the SDS Plus® tool holder, first remove the keyless chuck the same way as the SDS Plus® tool holder was removed. Then place the SDS Plus® tool holder the same way as the keyless chuck was placed.



CAUTION: Never use the keyless chuck (16) in the hammerdrilling mode. Only the SDS Plus® toolholder should be used for hammerdrilling.

Replacing the Dust Cover (fig. D)

The dust cover (7) prevents dust ingress into the mechanism. Replace a worn dust cover immediately.

- Pull back the SDS Plus® tool holder locking sleeve (15) and pull the dust cover (7) off.
- Fit the new dust cover.
- Release the SDS Plus® tool holder locking sleeve.

OPERATION

Instructions for Use



WARNING: To reduce the risk of serious personal injury, turn tool off and disconnect battery pack before making any adjustments or removing/installing attachments or accessories. An accidental start-up can cause injury.



WARNING:

- Always observe the safety instructions and applicable regulations.
- Be aware of the location of pipework and wiring.
- Apply only a gentle pressure to the tool (approx. 5 kg). Excessive force does not speed up drilling but decreases tool performance and may shorten tool life.
- Do not drill or drive too deep to prevent damage to the dust cover.
- Always hold the tool firmly with both hands and ensure a secure stance.
- Always operate the tool with the side handle properly mounted.
- If the cutting tool is no longer sharp, replace with a new cutting tool.

Prior to Operation:

- Make sure your battery pack is (fully) charged.
- Make sure the battery pack is properly seated.

Proper Hand Position (fig. A, I)



WARNING: To reduce the risk of serious personal injury, **ALWAYS** use proper hand position as shown.



WARNING: To reduce the risk of serious personal injury, **ALWAYS** hold securely in anticipation of a sudden reaction.

Proper hand position requires one hand on the side handle (9), with the other hand on the main handle (10).

Switching On and Off (fig. A)

- To run the tool, press the variable speed switch (1). The pressure exerted on the variable speed switch determines the tool speed.
- To stop the tool, release the switch.
- To lock the tool in off position, move the forward/reverse slider (2) to the central position.

Hammerdrilling (fig. A)

- Set the mode selector switch (3) to the "hammerdrilling" position.
- Insert the appropriate drill bit. For best results use high quality carbide-tipped bits.
- Adjust the side handle (9) as required.
- If necessary, set the drilling depth.
- Mark the spot where the hole is to be drilled.
- Place the drill bit on the spot and switch on the tool.

Rotary Drilling (fig. A, H)

- Set the mode selector switch (3) to the "rotary drilling" position.
- Depending on your tool, follow either of the following instructions:
 - Fit a chuck adaptor/chuck assembly (DCH363). Keyed and keyless chucks and chuck adaptors can be purchased separately. Special SDS Plus® adaptors with threaded sections are available for use with standard 10 or 13 mm chucks to enable straight shank bits to be used.
 - Replace the SDS Plus® tool holder with the keyless chuck (16) (DCH364).
- Proceed as described for hammerdrilling.



CAUTION: Never use the keyless chuck (16) in the hammerdrilling mode. Only the SDS Plus® toolholder should be used for hammerdrilling.

Screwdriving (fig. A, H)

- Set the mode selector switch (3) to the "rotary drilling" position.
- Select the direction of rotation.
- Depending on your tool, follow either of the following instructions:
 - Insert a special SDS Plus® screwdriving adaptor for use with hexagonal screwdriver bits which can be purchased separately (DCH363).
 - Replace the SDS Plus® tool holder (5) with the keyless chuck (16) (DCH364).
- Insert the appropriate screwdriver bit. When driving slotted head screws, always use bits with a finder sleeve.
- Gently press the variable speed switch (1) to prevent damage to the screw head. In reverse (LH) rotation the tool speed is automatically reduced for easy screw removal.

- When the screw is flush with the workpiece, release the variable speed switch to prevent the screw head from penetrating into the workpiece.

Chipping (fig. A)

DCH363, DCH364

- Set the mode selector switch (3) to the "hammering only" position.
- Insert the appropriate chisel and check if it is properly locked.
- Adjust the side handle (9) as required.
- Switch on the tool and start working.

It may be necessary to briefly run the motor after having changed from chiselling to rotary modes in order to align the gears.



WARNING:

- Do not use this tool to mix or pump easily combustible or explosive fluids (benzine, alcohol, etc.).
- Do not mix or stir inflammable liquids labelled accordingly.

MAINTENANCE

Your DEWALT power tool has been designed to operate over a long period of time with a minimum of maintenance. Continuous satisfactory operation depends upon proper tool care and regular cleaning.



WARNING: To reduce the risk of serious personal injury, turn tool off and disconnect battery pack before making any adjustments or removing/installing attachments or accessories. An accidental start-up can cause injury.

The charger and battery pack are not serviceable. There are no serviceable parts inside.



Lubrication

Your power tool requires no additional lubrication. Accessories and attachments used must be regularly lubricated around the SDS Plus® fitment.



Cleaning



WARNING: Blow dirt and dust out of the main housing with dry air as often as dirt is seen collecting in and around the air vents. Wear approved eye protection and approved dust mask when performing this procedure.



WARNING: Never use solvents or other harsh chemicals for cleaning the non-metallic parts of the tool. These chemicals may weaken the materials used in these parts. Use a cloth dampened only with water and mild soap. Never let any liquid get inside the tool; never immerse any part of the tool into a liquid.

CHARGER CLEANING INSTRUCTIONS



WARNING: Shock hazard. Disconnect the charger from the AC outlet before cleaning. Dirt and grease may be removed from the exterior of the charger using a cloth or soft non-metallic brush. Do not use water or any cleaning solutions.

Optional Accessories



WARNING: Since accessories, other than those offered by DEWALT, have not been tested with this product, use of such accessories with this tool could be hazardous. To reduce the risk of injury, only DEWALT recommended accessories should be used with this product.

Various types of SDS Plus® drill bits and chisels are available as an option.

Consult your dealer for further information on the appropriate accessories.

Protecting the Environment



Separate collection. This product must not be disposed of with normal household waste.

Should you find one day that your DEWALT product needs replacement, or if it is of no further use to you, do not dispose of it with household waste. Make this product available for separate collection.



Separate collection of used products and packaging allows materials to be recycled and used again. Re-use of recycled materials helps prevent environmental pollution and reduces the demand for raw materials.

Local regulations may provide for separate collection of electrical products from the household, at municipal waste sites or by the retailer when you purchase a new product.

DEWALT provides a facility for the collection and recycling of DEWALT products once they have reached the end of their working life. To take advantage of this service please return your product to any authorised repair agent who will collect them on our behalf.

You can check the location of your nearest authorised repair agent by contacting your local DEWALT office at the address indicated in this manual. Alternatively, a list of authorised DEWALT repair agents and full details of our after-sales service and contacts are available on the Internet at: **www.2helpU.com**.



Li-ION

Battery Pack

The long life battery pack must be recharged when it fails to produce sufficient power on jobs which were easily done before. At the end of its technical life, discard it with due care for our environment:

- Run the battery pack down completely, then remove it from the tool.
- Li-Ion cells are recyclable. Take them to your dealer or a local recycling station. The collected battery packs will be recycled or disposed of properly.

锂电充电式电锤

DCH363、DCH364

祝贺您！

感谢您选购 DeWALT 工具。凭借多年的产品开发和创新能力，DeWALT 已经成为专业电动工具用户最可靠的合作伙伴之一。

技术参数

		DCH363	DCH364
电压	伏	36	36
型号		1	1
空载转速	转/分	0-1100	0-1100
功率输出	瓦	600	600
冲击能量 (EPTA 05/2009)	焦	2.3	2.3
钢材/木材/混凝土			
中最大钻深	毫米	13/30/26	13/30/26
工具夹持器		SDS Plus®	SDS Plus®
每分钟冲击数		4500	4500
重量 (不含电池组)	千克	2.6	2.8

电池组	DE9360	DCB360	DCB361	
电压	伏特 (直流)	36	36	36
电池容量	安时	2.0	4.0	2.0
重量	千克	0.9	1.3	0.9

充电器	DE9000		
电源电压	伏特 (交流)	230	
大约充电时间	分钟	90	45
		(4.0 安时)	(2.0 安时)
重量	千克	0.9	

定义：安全指引

下列定义描述了各警示词的严重程度。请仔细阅读本手册，并注意这些警示符号。



危险：表示存在紧急危险情况，如果不加以避免，**将导致死亡或严重伤害。**



警告：表示存在潜在的危险情况，如果不加以避免，**可能导致死亡或严重伤害。**



警示：表示存在潜在危险情况，如果不加以避免，**可能导致轻度或中度伤害。**

注意：表示存在**不涉及人身伤害的情况**，如果不加以避免，**可能导致财产损失。**



表示存在触电风险。



表示存在火灾风险。



警告：为降低伤害风险，请阅读使用手册。

电动工具通用安全警告



警告！ 阅读所有警告和所有说明。不遵照以下警告和说明会导致电击、着火和/或严重伤害。

保存所有警告和说明书以备查阅。

在所有下列的警告中术语“电动工具”指市电驱动（有线）电动工具或电池驱动（无线）电动工具。

a) 工作场地的安全

- 1) 保持工作场地清洁和明亮。混乱和黑暗的场地会引发事故。
- 2) 不要在易爆环境，如有易燃液体、气体或粉尘的环境下操作电动工具。电动工具产生的火花会点燃粉尘或气体。
- 3) 让儿童和旁观者离开后操作电动工具。注意力不集中会使你失去对工具的控制。

b) 电气安全

- 1) 电动工具插头必须与插座相配。绝不能以任何方式改装插头。需接地的电动工具不能使用任何转换插头。未经改装的插头和相配的插座将减少电击危险。
- 2) 避免人体接触接地表面，如管道、散热片和冰箱。如果你身体接地会增加电击危险。
- 3) 不得将电动工具暴露在雨中或潮湿环境中。水进入电动工具将增加电击危险。
- 4) 不得滥用电线。绝不能用电线搬运、拉动电动工具或拔出其插头。使电线远离热源、油、锐边或运动部件。受损或缠绕的软线会增加电击危险。
- 5) 当在户外使用电动工具时，使用适合户外使用的外接软线。适合户外使用的软线将减少电击危险。
- 6) 如果在潮湿环境下操作电动工具是不可避免的，应使用剩余电流动作保护器（RCD）。使用RCD可减小电击危险。

c) 人身安全

- 1) 保持警觉，当操作电动工具时关注所从事的操作并保持清醒。当你感到疲倦，或在有药物、酒精或治疗反应时，不要操作电动工

具。在操作电动工具时瞬间的疏忽会导致严重人身伤害。

- 2) 使用个人防护装置。始终佩戴护目镜。安全装置，诸如适当条件下使用防尘面具、防滑安全鞋、安全帽、听力防护等装置能减少人身伤害。
- 3) 防止意外启动。确保开关在连接电源和/或电池组、拿起或搬运工具时处于关断位置。手指放在已接通电源的开关上或开关处于接通时插入插头可能会导致危险。
- 4) 在电动工具接通之前，拿掉所有调节钥匙或扳手。遗留在电动工具旋转零件上的扳手或钥匙会导致人身伤害。
- 5) 手不要伸展得太长。时刻注意立足点和身体平衡。这样在意外情况下能很好地控制电动工具。
- 6) 着装适当。不要穿宽松衣服或佩戴饰品。让你的衣服、手套和头发远离运动部件。宽松衣服、佩饰或长发可能会卷入运动部件中。
- 7) 如果提供了与排屑、集尘设备连接用的装置，要确保他们连接完好且使用得当。使用这些装置可减少尘屑引起的危险。

d) 电动工具使用和注意事项

- 1) 不要滥用电动工具，根据用途使用适当的电动工具。选用适当设计的电动工具会使你工作更有效、更安全。
- 2) 如果开关不能接通或关断工具电源，则不能使用该电动工具。不能用开关来控制的电动工具是危险的且必须进行修理。
- 3) 在进行任何调节、更换附件或贮存电动工具之前，必须从电源上拔掉插头和/或使电池组与工具脱开。这种防护性措施将减少工具意外起动的危险。
- 4) 将闲置不用的电动工具贮存在儿童所及范围之外，并且不要让不熟悉电动工具或对这些说明不了解的人操作电动工具。电动工具在未经培训的用户手中是危险的。
- 5) 保养电动工具。检查运动件是否调整到位或卡住，检查零件破损情况和影响电动工具运行的其他状况。如有损坏，电动工具应在使

用前修理好。许多事故由维护不良的电动工具引发。

- 6) **保持切削刀具锋利和清洁。** 保养良好的有锋利切削刃的刀具不易卡住而且容易控制。
- 7) **按照使用说明书，考虑作业条件和进行的作业来使用电动工具、附件和工具的刀头等。** 将电动工具用于那些与其用途不符的操作可能会导致危险。

e) 电池式工具使用和注意事项：

- 1) **只用制造商规定的充电器充电。** 将适用于某种电池盒的充电器用到其他电池盒时会发生着火危险。
- 2) **只有在配有专用电池盒的情况下才使用电动工具。** 使用其他电池盒会发生损坏和着火危险。
- 3) **当电池盒不用时，将它远离其他金属物体，例如回形针、硬币、钥匙、钉子、螺钉或其他小金属物体，以防一端与另一端连接。** 电池端部短路会引起燃烧或火灾。
- 4) **在滥用条件下，液体会从电池中溅出，避免接触。如果意外碰到了，用水冲洗。如果液体碰到了眼睛，还要寻求医疗帮助。** 从电池中溅出的液体会发生腐蚀或燃烧。

f) 维修

- 1) **让专业维修人员使用相同的备件维修电动工具。** 这将保证所维修的电动工具的安全。

电锤特定安全附加规则

- **请佩戴听力保护器。** 噪音会损伤听力。
- **使用工具随附的辅助手柄（如有）。** 操作失控会引起人身伤害。
- **在切削附件可能触及暗线之处进行操作时，要通过绝缘握持面来握持电动工具。** 切削附件碰到带电导线会使工具外露的金属零件带电从而使操作者受到电击。
- **使用夹具或采取其它可行的方法，将工件固定、支撑到稳定的平台上。** 手持或用身体顶住工件都是不稳定的，会导致操作失控。

- **请佩戴安全护目镜或其他护目装备。** 冲击操作会导致碎片飞散。飞散的颗粒会对眼睛造成永久性伤害。请在产生粉尘的应用环境佩戴防尘面具或口罩。大多应用环境需要佩戴听力保护器。
- **时刻紧握工具。切勿尝试在不使用双手握住工具时操作此工具。** 建议始终使用侧手柄。单手操作此工具会导致失控。穿透或遇到坚硬材料（如钢筋）也可能发生危险。使用前请务必稳固拧紧侧手柄。
- **不要长时间操作此工具。** 锤击操作导致的振动可能会伤害您的手部和手臂。使用手套提供额外缓冲，经常停下休息，限制使用时间。
- **切勿自行修整钻头。** 凿子的整修工作应由授权专业人员来完成。凿子整修不当可能会导致伤害。
- **操作工具或更换钻头时请佩戴手套。** 工具和钻头上的可接触金属部件可能会在操作过程中变得非常热。少量破碎材料可能会导致双手受伤。
- **直到钻头完全停止运动才放下工具。** 运动钻头可能会导致伤害。
- **请勿使用锤子击打卡住的钻头。** 金属碎片或材料碎屑可能会弹出而导致伤害。
- **轻度磨损的凿子可通过打磨进行磨尖。**
- **让电线远离旋转中的钻头。请勿使用身体缠绕电线。** 缠绕在旋转中的钻头周围的电线可能会导致人身伤害和失控。

残余风险

使用冲击钻时具有下列固有危险：

- 碰触工具的旋转部件或带热的部件会导致人身伤害。

尽管遵守了相关的安全法规并采用了安全装备，某些残余风险仍然是无法避免的。这些风险包括：

- 听力损伤。
- 更换附件时夹到手指的风险。
- 在混凝土和/或砖石环境中工作时，吸入粉尘导致的健康危害。

工具上的标识

工具上印有下列图形：



使用前请阅读使用手册。



请佩戴听力保护器。



请佩戴护目装备。

日期码位置（图 A）

连接工具和电池之间的机壳表面印有日期代码 (20)，日期代码包括制造年份。

示例：

2014 XX XX

制造年份

适用所有电池充电器的重要安全说明

请妥善保管好这些说明：本手册包含重要的 DE9000/DC9000 电池充电器安全和操作说明。

- 在使用充电器之前，请先阅读所有说明以及充电器、电池组和使用电池组的产品上的警示标记。



危险：电击危险。充电器终端的电压达 230 伏特。请勿使用导电物体碰触。否则可能会引起触电或电击。



警告：触电危险。请勿让任何液体渗入充电器，否则会引起触电。



警示：灼伤危险。为降低人身伤害风险，只使用 DeWALT 充电式电池充电。使用其它类型的电池可能会引起爆裂，并导致人身伤害和损害。



警示：在某些情况下，当充电器的插头插入电源插座时，充电器内部裸露的充电接触点可能因为外来物件而短路。请勿让能导电的外来物件靠近充电器腔，这些外来物件包括但不限于钢棉、铝箔

或任何金属颗粒的堆积物。充电器内没有电池组时，请断开充电器与电源的连接。清洗前，务必拔掉充电器。

- 请勿使用本手册指定的充电器以外的其他任何充电器为电池组充电。充电器和电池组都是专门设计的，互相配合使用。
- 除了为 DeWALT 充电式电池充电以外，这些充电器并不能用于其它用途。否则可能会导致火灾、触电或电击。
- 请勿将充电器暴露于雨中或雪中。
- 断开充电器连接时，应拔下插头，切勿拉拽电源线。这将降低电源插头和电源线的损坏风险。
- 请确保电线的位置不会被踩踏、令人绊倒或引起其他方式的损坏或受压。
- 不得使用延长电源线，除非有绝对的必要。使用不正确的延长电源线可能导致火灾、触电或电击的风险。
- 请勿将任何物件放在充电器上面，或是把充电器放在可能会堵住通风槽的柔软表面，导致充电器的内部过热。请把充电器放置在远离任何热源的位置。充电器外壳顶端和底端具有通风槽。
- 禁止使用电源线或插头已损坏的充电器。请立即更换已损坏的充电器。
- 如果充电器受到强烈重击、掉落或出现其他损坏情况，请勿使用充电器。请将损坏的充电器送到授权服务中心维修。
- 请勿拆卸充电器；需要检修或维修时，请送往授权服务中心。重装不正确可能导致触电、电击或火灾风险。
- 清洁前，请先断开充电器和插座的连接，以降低触电风险。取出电池组不会降低触电风险。
- 切勿将两个充电器连接在一起。
- 充电器额定电压是标准 230 伏家用电压。请勿试图在任何其他电压下使用充电器。此规则不适用于车载充电器。

请妥善保管好这些说明

充电器

DE9000 充电器只可用于 36 伏锂离子电池。

此充电器专为简易操作而设计，因此无需做出任何调整。

充电程序（图 A、B）



危险：触电危险。充电器终端的电压达 230 伏特。请勿使用导电物体碰触。具有触电或电击危险。

1. 放进电池组前，先将充电器 (13) 的插头插到相应的电源插座上。
2. 将电池组插入充电器。充电器配备三个灯的电量计，会根据电池组的充电状态闪烁。
3. 红色灯持续亮起表示充电完成。此时电池组已完全充电，您可以使用电池组或将电池组留在充电器上。

注：为了确保锂离子电池的效能和使用寿命最大化，在首次使用电池组之前必须将其完全充电。

充电程序

有关电池组的充电状态，请参阅下表。

充电状态	
1 灯闪烁	< 33%
1 灯闪烁, 1 灯亮	33–66%
1 灯闪烁, 2 灯亮	66–99%
3 灯全亮	100%

自动刷新

自动刷新模式将以其最佳容量补偿或平衡电池组中个别电池。电池组应每周刷新或每当电池组的工作效率降低时刷新。

要刷新您的电池组，可如常将电池放入充电器中。将电池组放在充电器内至少 10 个小时。

热/冷电池组延迟

当充电器检测到电池过热或过冷时，它会自动启动热/冷电池延迟模式，暂停充电，直到电池达到适当的温度。然后，充电器会自动切换到电池组充电模式。此功能可确保电池拥有最长的使用寿命。

仅限锂离子电池组

锂离子电池具有电子保护系统设计，可保护电池免受过载、过热或过度放电之害。

如果电子保护系统处于运作状态，该工具将自动停止操作。如果发生这种情况，请将锂离子电池放在充电器上直到完全充电。

适用所有电池组的重要安全说明

在订购更换电池组时，请务必提供产品目录号、电压和安时。

包装箱内的电池组并未完全充电。使用电池组和充电器之前，请阅读下列安全指示，然后遵循所述的充电程序。

请阅读所有说明

- **请勿在易爆环境，如有易燃液体、气体或粉尘的环境中充电或使用电池。**在充电器中插入或取出电池时可能会点燃粉尘或气体。
- 只使用 DeWALT 充电器为电池组充电。
- **请勿喷溅电池组或将其浸泡在水或其他液体中。**
- **请勿在温度可能达到或超过 40°C 的地方（如夏天户外的棚子或金属建筑物中）存储或使用工具和电池组。**



危险：切勿以任何理由试图打开电池组。电池组外壳破裂或损坏时，请勿将电池组插入充电器。不要挤压、掉落或损坏电池组。请勿使用受过强烈重击、掉落、碾压或以任何其它方式（如被钉子穿破、受到锤子的重击、踩踏）受损的电池组或充电器。否则可能会引起触电或电击。损坏的电池组应送返服务中心再循环利用。



警示：不用时，将工具侧放在平稳的表面上，确保不会有踢绊或掉落的风险。一些具有大型电池组的工具可以直立但可能会轻易被撞倒。

锂离子的附加安全说明

- **即使电池组严重受损或完全损坏，也不要焚化电池组。** 电池组在火中会发生爆炸。锂离子电池组在燃烧时会释放有毒烟雾和物质。
- **如果电池液体接触到皮肤，请立即以中性肥皂和清水冲洗接触的地方。** 如果电池液体不慎进入眼睛，应睁开眼睛并用清水冲洗至少 15 分钟或直到刺激感消失。如果需要医疗救助，请告知医护人员。电池电解质由液状有机碳酸盐和锂盐的混合物组成。
- **已打开电池的内部物质可能会导致呼吸道刺激。** 请保持空气流通。如果症状持续存在，请就医。



警告：灼伤危险。 电池液如果接触到火花或火焰可能会燃烧。

运输

DEWALT 电池符合所有适用的行业和法律标准规定的运输规范，包括《联合国危险品运输建议规章范本》(UN Recommendations on the Transport of Dangerous Goods)、《国际航空运输协会 (IATA) 危险品规则》(International Air Transport Association (IATA) Dangerous Goods Regulations)、《国际海运危险品 (IMDG) 规则》(International Maritime Dangerous Goods (IMDG) Regulations) 和《欧洲危险货物国际公路运输协定》(European Agreement Concerning The International Carriage of Dangerous Goods by Road) (ADR)。锂离子电池和电池组已遵循《联合国危险品运输建议规章范本手册》第 38.3 节关于测试和标准的说明通过测试。

大多数情况下，发运 DEWALT 电池组不属于完全管制的 9 类危险品。纳入 9 类危险品发运的情况通常有两种：

1. 空运两个以上 DEWALT 锂离子电池组，且包装中只包含电池组（没有工具）；和
2. 包含一个能源等级大于 100 瓦时 (Wh) 的锂离子电池的任何形式运输。所有锂离子电池外壳上均标注有瓦时等级。

无论发运是否纳入完全管制范围内，运输公司均有责任遵循最新法规中关于包装、标签/标记和单据的要求。

电池运输途中，如果电池两极意外接触导电材料，可能会引发火灾。运输电池时，务必保护电池两极，确保与可能接触电池导致短路的材料良好绝缘。

本手册本节的信息是出于善意提供，且认为在编制文档时准确无误。但是不提供明示或暗示的担保。购买方负有确保其行为遵守适用法规的责任。

电池组

电池类型

DCH363 和 DCH364 使用 36 伏锂离子电池组供电。

存放建议

1. 最好将电池存放在阴凉、干燥、远离阳光直射、不会过热或过冷的地方。为了获得最佳的电池性能和使用寿命，请您在不使用电池组时将其存储在室温下。

注：锂离子电池组在储存时应已完全充电。

2. 长期储存不会损害电池组或充电器。在适当的条件下，可以储存高达 5 年。

充电器和电池组上的标签

除了在本手册中所使用的标志，充电器和电池组的标签还包括：



使用前请阅读使用手册。



充电时间详细信息，请参阅**技术参数**



请勿将其暴露于水中



请勿使用导电物体碰触



请勿对损坏的电池组充电



请勿使用破损充电器



只在 4°C 和 40°C 之间的温度下充电



应立即更换有缺陷的电线



充电器故障



电池故障



弃置电池组时，请妥善处理以保护我们的环境



请勿焚化电池组



只使用指定的 DEWALT 充电器为 DEWALT 电池组充电。使用 DEWALT 充电器为非 DEWALT 电池充电可能会导致电池爆炸或出现其他危险情况。

包装内的物品

本产品包装内的物品有：

- 1 锂电充电式电锤
- 1 侧手柄
- 1 深度调节杆
- 1 集尘系统
- 1 自紧式夹头 (DCH364)
- 2 电池组 (D2、M2)
- 1 电池组 (D1、M1)
- 1 充电器
- 1 工具箱
- 1 使用手册

注：N 型号不包括电池组和充电器。

- 检查工具、部件或配件是否在运输过程中损坏。
- 操作前，请抽空仔细阅读并掌握本手册。

说明 (图 A、A1、D、H)



警告：切勿改装本电动工具或其任何部件，否则可能会导致损坏或人身伤害。

- 1 变速开关
- 2 正/反转滑块
- 3 模式选择器
- 4 安全锁
- 5 SDS Plus® 工具夹持器
- 6 锁环
- 7 防尘罩
- 8 深度调节杆
- 9 侧手柄
- 10 主手柄
- 11 电池组
- 12 释放按钮
- 13 充电器
- 14 充电指示灯 (红色)
- 15 工具夹持器锁定套管
- 16 自紧式夹头

设计用途

锂电充电式电锤设计用于专业钻孔、锤钻和螺丝安装以及轻型切削用途。

请勿在潮湿环境中或在有易燃液体或气体的环境中使用。

本重载电锤是专业型电动工具。**请勿**让儿童接触本工具。缺乏经验的操作员需要在监督下使用本工具。

- **儿童和体弱者。**在没有他人监督的情况下，儿童或体弱者不适宜使用本产品。
- 本产品不适合体力、感官或智力不足以及缺乏经验、知识或技能的人员（包括儿童）使用，除非一旁有能为他们的安全负责的监督人员。不得在无人监管的情况下让儿童接触本产品。

集尘系统（图 A1）

17 集尘系统的电锤

18 集尘系统 (D25302DH)*

19 安装在电锤上的集尘系统

*集尘系统 (D25302DH) 可从最近的 DeWALT 授权经销商处另行购买。

离合器过载

如果钻头卡住，则钻轴的驱动将会中断。由于会产生反向力，因此请务必用双手紧握工具并站稳。

制动机制

松开变速开关后，主轴会立即停止转动。

有源振动控制

有源振动控制可中和来自锤子机制的回弹振动。降低手部和手臂振动，可以更舒适地在更长的时间内使用本工具，并延长装置的使用寿命。操作过程中，弹簧负载机制会平衡振动力。向工具施压时可通过缓冲作用感知。确保弹簧接合但不要太紧。该机制应允许“浮动”。

电气安全

电动马达只适用一种工作电压。请务必检查电池组的电压是否和铭牌上的电压一致。另外，请确保充电器电压和主电源的电压一致。



DeWALT 充电器符合 IEC 60335 双重绝缘要求，因此无需使用接地线。

电源线损坏时，必须由 DeWALT 服务部门采用专门制备的电线进行更换。

使用延长线

除非绝对必要，否则请勿使用延长线。请使用与充电器功率输入（见技术数据）匹配的、经过认证的延长线；最小的导线尺寸为 1 平方毫米；最大长度为 30 米。

使用电缆卷筒时，请务必拉出所有的电缆。

组装和调整



警告： 组装与调整之前，务必取出电池组。插入或取出电池组之前，请关闭工具。



警告： 只使用 DeWALT 电池组和充电器。

安装和取出电池组（图 A）

- 要安装电池组 (11)，请将它与工具上的插座对齐。将电池组滑入插座，然后推动直到电池组卡入定位。
- 要取出电池组，请按释放按钮 (12)，同时将电池组从插座中拉出。

电池组电量计（图 A）

一些 DeWALT 电池组带有一个包含三个绿色 LED 指示灯的电量计，用于指示电池组内的剩余电量。

按下电量计按钮 (21) 不松开，即可启动电量计。三个绿色 LED 指示灯将以组合方式亮起，以指示剩余电量。当电池内的电量低于可用限制时，电量计将不会亮起，电池将需要重新充电。

注： 电量计仅指示电池组的剩余电量。它并不表示该工具的功能，且将根据产品组件、温度和最终用户的使用情况而有所不同。

选择操作模式（图 C）

本工具可在以下三种操作模式下使用：



旋转钻孔：用于螺丝安装以及在钢材、木材和塑胶上钻孔



锤钻：用于在混凝土和砖石上钻孔



锤击：用于轻型切削

- 要选择操作模式，请按下安全锁 (4) 并旋转模式选择器开关 (3) 直到其指向所需的模式符号。
- 松开安全锁并检查模式选择器开关是否锁定到位。



警告：在工具运行时请勿选择操作模式。

插入和取出 SDS Plus® 附件 (图 D)

电锤使用 SDS Plus® 附件 (请参阅插页中的图 D 获取 SDS Plus® 钻头杆的横截面图)。

- 清洁和润滑 SDS Plus® 钻头杆。
- 将 SDS Plus® 钻头杆插入 SDS Plus® 工具夹持器 (5)。
- 按下钻头并稍微转动直到钻头安装到插槽里。
- 拉动钻头以检查它是否正确锁定。锤击功能要求钻头在锁定到 SDS Plus® 工具夹持器中时可以轴向移动数厘米。
- 如果要取出钻头，请向后拉 SDS Plus® 工具夹持器/套管 (15)，然后将钻头拉出。

安装侧手柄 (图 E)

侧手柄 (9) 可根据需要安装，以适合右手和左手用户的需要。



警告：在侧手柄未正确组装时，切勿使用工具。

- 松开侧手柄。
- 右手用户请滑动侧手柄，夹住工具夹持器后面的轴环，手柄在左边。
- 左手用户请滑动侧手柄，夹住工具夹持器后面的轴环，手柄在右边。
- 将侧手柄旋转至所需位置然后转紧手柄。

设置钻孔深度 (图 F)

- 插入所需的钻头。
- 松开侧手柄 (9)。
- 使深度调节杆 (8) 穿过侧手柄夹的孔。
- 调整钻孔深度，如图所示。
- 紧固侧手柄。

正/反转滑块 (图 G)

- 要选择向前 (右侧) 旋转，请将正/反转滑块 (2) 拨到左边。查看工具上的箭头。
- 要选择向后 (左侧) 旋转，请将正/反转滑块 (2) 拨到右边。



警示：在改变旋转方向之前，请务必等到电动机完全停止。

将 SDS Plus® 工具夹持器更换成自紧式夹头 (图 H)

DCH364

- 将锁环 (6) 旋转至解锁位置并将 SDS Plus® 工具夹持器 (5) 拉出。
- 将自紧式夹头 (16) 推向主轴并将锁环旋转至锁定位置。
- 要使用 SDS Plus® 工具夹持器更换自紧式夹头，请先用卸下 SDS Plus® 工具夹持器的同样方式卸下自紧式夹头。然后用更换自紧式夹头的同样方式更换 SDS Plus® 工具夹持器。



警示：切勿在锤钻模式下使用自紧式夹头 (16)。锤钻模式下只能使用 SDS Plus® 工具夹持器。

更换防尘罩 (图 D)

防尘罩 (7) 可防止灰尘进入工具。防尘罩一旦磨损应立即更换。

- 向后拉 SDS Plus® 工具夹持器/套管 (15)，然后将防尘罩 (7) 拉出。
- 安装新防尘罩。
- 松开 SDS Plus® 工具夹持器锁定套管。

操作

使用说明



警告：为降低严重的人身伤害风险，在进行任何调整或取出/安装附加装置或配件之前，请关闭工具并断开电池组连接。意外启动可能会导致人身伤害。

**警告：**

- 请务必遵守安全指示和适用法规。
- 注意水管和电线的布线位置。
- 轻轻地对工具施加压力（约 5 千克）。过度用力不但不会加快钻孔的速度，而且会降低工具性能并可能缩短工具使用寿命。
- 切勿钻得太深以免损坏防尘罩。
- 务必用双手紧握工具并确保站稳。
- 务必在正确安装侧手柄后才操作工具。
- 如果切削工具不够锋利，应进行更换。

使用前的准备工作：

- 请确保您的电池组已完全充电。
- 请确保您的电池组已安装到位。

正确的手持方式（图 A、I）

警告：为降低严重的人身伤害风险，请务必**使用正确的手持方式，如图所示。**



警告：为降低严重的人身伤害风险，请务必**紧握工具以防止意外事件。**

正确的手持方式要求一只手握住侧手柄 (9)，另一只手则握住主手柄 (10)。

启动与关闭（图 A）

- 要启动工具，请按下变速开关 (1)。工具速度取决于向变速开关施加的压力。
- 要停止运转工具，请松开开关。
- 将正/反转滑块 (2) 拨到中间位置可将工具锁定在关闭位置。

锤钻（图 A）

- 将模式选择器开关 (3) 设定为“锤钻”位置。
- 插入相应的钻头。为了达到最好的效果，请使用高质量碳化钻头。
- 根据需要调整侧手柄 (9)。

- 根据需要设置钻孔深度。
- 在要钻孔的位置做标记。
- 将钻头对准标记并开启工具。

旋转钻孔（图 A、H）

- 将模式选择器开关 (3) 设定为“旋转钻孔”位置。
- 请根据工具型号遵循以下一种指示：
 - 安装夹头连接器/夹头组件 (DCH363)。带钥匙/自紧式夹头和夹头适配器可以单独购买。配备螺纹部分的专用 SDS Plus® 连接器可与标准 10 或 13 毫米夹头搭配使用，以便使用直柄钻头。
 - 将 SDS Plus® 工具夹持器更换成自紧式夹头 (16) (DCH364)。
- 按锤钻部分所述进行操作。



警示：切勿在锤钻模式下使用自紧式夹头 (16)。锤钻模式下只能使用 SDS Plus® 工具夹持器。

螺丝安装（图 A、H）

- 将模式选择器开关 (3) 设定为“旋转钻孔”位置。
- 选择旋转方向。
- 请根据工具型号遵循以下一种指示：
 - 插入专用 SDS Plus® 螺丝安装连接器以便与六角螺丝起子头 (DCH363) 搭配使用。
 - 将 SDS Plus® 工具夹持器 (5) 更换成自紧式夹头 (16) (DCH364)。
- 插入相应的螺丝起子头。旋转平头螺丝时务必使用带探测套管的钻头。
- 轻按变速开关 (1) 以免损坏螺丝头。反向 (LH) 旋转时工具会自动降低速度，以便取出螺丝。
- 当螺丝已完全钻入工件时，请松开变速开关以避免螺丝头刺入工件。

切削 (图 A)

DCH363、DCH364

- 将模式选择器开关 (3) 设定为“锤击”位置。
- 插入合适的凿子并检查它是否正确锁定到位。
- 根据需要调整侧手柄 (9)。
- 打开工具开关，然后开始工作。

工具从凿切模式更改为旋转模式后，可能需要短暂地运转电动机以对准齿轮。



警告:

- 切勿使用本工具混合或搅动易燃或易爆液体（汽油、酒精等）。
- 切勿混合或搅拌具有易燃标签的液体。

维护

DeWALT 电动工具设计精良，可以长时间使用，而且只需极少的维护。要连续获得令人满意的工作效果，需要进行合适的工具维护和定期清洁。



警告：为降低严重的人身伤害风险，在进行任何调整或取出/安装附加装置或配件之前，请关闭工具并断开电池组连接。意外启动可能会导致人身伤害。

充电器和电池组无法维修。这些组件内没有可以维修的部件。



润滑

本电动工具无需另行润滑。SDS Plus® 设备中使用的附件和附加装置必须定期进行润滑。



清洁



警告：一旦看到通风口及其周围积聚了尘屑，请用干燥的空气将灰尘和尘屑从

主机外壳内吹出。执行此过程时，需戴上经认可的护目装备和防尘面具。



警告：请勿使用溶剂或其它刺激性化学制品来清洁工具的非金属部件。这些化学物质可能会削弱这些部位使用的材料。请用布蘸温和的肥皂水擦拭。切勿让任何液体渗入工具，切勿让工具的任何部件浸在液体中。

充电器清洁说明



警告：触电危险。清洁前，请将充电器从交流电源插座上拔下。可用布或非金属软刷清除充电器外部的污垢和油脂。请勿使用水或任何清洁剂。

附件的选择



警告：除了 DeWALT 提供的附件之外，其他附件都未经此产品兼容性测试，若将此类附件与本工具一起使用将存在安全隐患。为降低伤害风险，本产品只可使用 DeWALT 推荐的附件。

有各种不同类型的 SDS Plus® 钻头和凿子可供选购。

请向您的经销商咨询更多关于合适附件的信息。

保护环境



分类回收。本产品不得与普通家庭垃圾一起处理。

如果发现您的 DeWALT 产品需要更换或您已经不再需要使用这些产品，请勿将它们与家庭垃圾一起处理。请将它们单独分类回收。



分类回收使用过的产品和包装能够让材料得以再循环和再利用。回收材料的再利用有助于防止环境污染，并降低对原材料的需求。

当地法规可能要求由市政废物处理点或向您出售新产品的零售商提供从家庭中分类回收电气产品的服务。

DEWALT 提供设施收集和回收使用寿命到期的 DEWALT 产品。若要享受这项服务，请将产品送回任一授权维修代理处，他们将代表我们回收您的产品。

请根据本手册所提供的地址与当地 DEWALT 办事处联系，查询离您最近的授权维修代理的位置。或者，您也可以登陆以下网站查询 DEWALT 授权维修代理名单，以及我们的售后服务和联系方式的详细信息，网址是 www.2helpU.com。



Li-ION

电池组

本电池组使用寿命长，不能提供顺利完成工作所需的电力时，必须进行充电。电池技术寿命结束时，请妥善处理以保护环境。

- 耗尽电池组的电力，然后从工具上拆下。
- 锂离子电池是可回收的。将它们送往您的经销商处或当地的回收站。回收的电池组将被妥善循环使用或处理。

鋰電充電式電鎚鑽

DCH363、DCH364

恭喜閣下！

感謝您選購 DeWALT 工具。憑藉多年的產品開發和創新經驗，DeWALT 已成為專業電動工具使用者最信賴的夥伴之一。

技術資料

		DCH363	DCH364
電壓 V		36	36
類型		1	1
空載轉速	min ⁻¹	0–1100	0–1100
功率輸出	W	600	600
衝擊能量 (EPTA 05/2009)	J	2.3	2.3
鋼材/木材/混凝土 的最大鑽孔範圍	mm	13/30/26	13/30/26
工具夾持器		SDS Plus®	SDS Plus®
每分鐘衝擊次數		4500	4500
重量 (不包括電池組)	kg	2.6	2.8

電池組	DE9360	DCB360	DCB361	
電壓	V _{DC}	36	36	36
電池容量	Ah	2.0	4.0	2.0
重量	kg	0.9	1.3	0.9

充電器	DE9000		
主電壓	V _{AC}	110V	
大約充電時間	min	90 (4.0 Ah)	45 (2.0 Ah)
重量	kg	0.9	

定義：安全指南

以下定義描述了每一個詞彙的嚴重程度。請閱讀本手冊並注意這些符號。



危險：表示緊急危險情況，若未能避免，將導致死亡或嚴重傷害。



警告：表示潛在危險情況，若未能避免，可能導致死亡或嚴重傷害。



小心：表示潛在危險情況，若未能避免，可能導致輕微或中度傷害。

注意：表示一種非人身傷害的行為，若未能避免，可能導致財產損失。



表示觸電危險。



表示火災危險。



警告：為了降低受傷的風險，必須仔細閱讀使用手冊。

電動工具一般安全警告



警告！請閱讀所有安全警告及使用指示。不遵循這些警告和指示可能會導致觸電、火災及/或嚴重傷害。

請妥善保存所有的警告和使用手冊 以備將來查閱

警告中的名詞「電動工具」是指電源驅動（插電）電動工具，或者電池驅動（充電）電動工具。

1) 工作場地安全

- a) 保持工作場地清潔和明亮。混亂或黑暗的場地會引發事故。
- b) 不要在易壞環境，如有易燃液體、氣體或粉塵的環境中操作電動工具。電動工具產生的火花會點燃粉塵或氣體。
- c) 請等待兒童和旁觀者離開之後才操縱電動工具。分心會導致您疏於控制。

2) 電氣安全

- a) 電動工具插頭必須與插座相符。切勿以任何方式改裝插頭。需接地的電動工具不能使用任何配接器插頭。未經改裝的插頭和相符的插座可以減少觸電危險。
- b) 避免人體接觸接地表面，如管道、散熱片、爐灶和冰箱。若您的身體接地，可增加觸電危險。
- c) 不得將電動工具暴露在雨中或潮濕環境中。水進入電動工具會增加觸電危險。
- d) 切勿濫用電線。請勿使用電線來搬運、拉動電動工具或拔出插頭。讓電線遠離熱、油、銳邊和活動部件。受損或纏繞的電線會增加觸電危險。
- e) 若要在戶外使用電動工具，請使用適合戶外使用的延長電纜。使用適合戶外使用的電線可減少觸電危險。
- f) 若必須在潮濕場合使用電動工具，請使用漏電保護器 (RCD)。使用 RCD 可降低觸電危險。

3) 人身安全

- a) 保持警覺；在操作電動工具時，請留意所執行的操作並按照一般的常識執行。切勿在疲倦，或受到藥物、酒精或治療的影響下操作電動工具。操作電動工具期間注意力分散會導致嚴重人身傷害。
- b) 使用個人防護裝置。始終佩戴護目裝備。防護裝置，例如在適當條件下可使用的防塵面具、防滑安全鞋、安全帽或聽力保護等裝置可減少人身傷害。
- c) 避免意外啟動。連接電源及/或電池組、舉抬或搬運電動工具之前，請確定開關處於關閉位置。搬運電動工具時若將手指放在開關上，或是在接通開關電源時插入插頭都會引發危險。
- d) 接通電動工具之前，請卸下所有的調整鑰匙或扳手。遺留在電動工具旋轉部件上的扳手或鑰匙會導致人身傷害。
- e) 不要過度伸張雙手。時刻注意腳下和身體的平衡。如此即可在發生意外的情況下更好地控制電動工具。
- f) 適當穿著。不要穿寬鬆衣服或佩戴飾品。讓您的頭髮、衣服和手套遠離活動部件。寬鬆衣服、佩飾和長髮可能會捲入活動部件。
- g) 若配備用於連接排屑裝置、集塵設備的裝置，請確定正確連接和使用這些裝置。使用集塵設備可減少與塵埃有關的危險。

4) 電動工具的使用與維護

- a) 不要超負荷使用電動工具。根據您的用途使用適當的電動工具。使用適當的電動工具在其設計可負荷的應用內，會讓您更有效、更安全地執行工作。
- b) 若開關不能開啟或關閉電源，切勿使用該電動工具。不能用開關來控制的電動工具將存在危險，必須進行維修。
- c) 在執行任何調整、更換配件或儲存電動工具之前，請從電源上拔掉插頭及/或卸下電池組。這類防護性措施可降低電動工具意外啟動的風險。

- d) 將閒置的電動工具儲存在兒童無法接觸的地方，並且不要讓不熟悉電動工具或對這些使用指示不瞭解的人員操作電動工具。電動工具在未經培訓的使用者手中會發生危險。
- e) 維護電動工具。檢查活動部件是否對準或卡住、破損情況以及是否存在影響電動工具運行的其他情況。若有損毀，必須在使用之前修理電動工具。許多事故都是由於電動工具欠缺維護所導致。
- f) 保持刀具鋒利和清潔。妥善維護、切削鋒利的切割工具不會輕易卡住並可更輕鬆控制。
- g) 遵循使用指示以及工作條件和所要執行的工作使用電動工具、配件和工具刀頭等。不按設計目使用電動工具將會導致危險。

5) 電池工具的使用與注意事項

- a) 只能使用製造廠商指定的充電器為電池充電。使用僅適合一種電池組的充電器為其他類型的電池組充電會導致火災危險。
- b) 請使用原廠的電動工具電池組。使用其他非原廠的電池組會導致人身傷害和火災危險。
- c) 不使用電池組時，請將其遠離如迴紋針、硬幣、鑰匙、釘子、螺絲以及其他可連通電池兩極的金屬物品。將電池兩極短路會導致灼傷或火災。
- d) 濫用電池的情況下，液體會從電池中噴出；避免與液體接觸。若不小心接觸液體，請用清水沖洗。若液體噴濺到眼睛上，沖洗之後還要進行治療。從電池噴出的液體會刺激皮膚或造成灼傷。

6) 檢修

- a) 本電動工具必須由合格的維修人員並只採用相同的原廠部件來執行檢修。這將確保電動工具的安全性。

電鎚鑽之其他特殊安全規定

- 請佩戴聽力保護器。噪音會使聽力受損。
- 請使用工具隨附的輔助手柄。工具失控會導致人身傷害。

- 若在執行操作時切削配件可能會接觸隱藏的電線，請從絕緣手柄表面握住電動工具。若切削配件接觸到「帶電」導線，電動工具金屬部件表面就會「帶電」，從而導致操作人員觸電。
- 使用夾具或採取其他可行的方法，將工件固定、支撐到穩定的平台上。手持或用身體頂住工件都是不穩定的，並會導致操作失控。
- 請佩戴護目鏡或其他護目裝備。錘擊會引致碎片飛散。飛散的顆粒可以對眼睛造成永久傷害。請在產生粉塵的環境佩戴面罩或口罩。大多數環境需要佩戴聽力保護器。
- 時刻緊握工具。必須使用雙手操作本工具。建議任何時候均使用側手柄。使用單手操作本工具會導致操作失控。刺破或遇到堅硬材料如鋼筋亦會導致危險。使用之前必須扭緊側手柄。
- 切勿長時間操作此工具。工具產生的震動可能令您的雙手和手臂受傷。請佩戴手套加強保護，而且經常稍作休息，減少承受的震力。
- 請勿自行修整鑽頭。鑿子應由授權技師整修。不正確地整修鑿子可能導致傷害。
- 操作本工具或更換鑽頭時請佩戴手套。操作時本工具可接觸的金屬部件和鑽頭溫度可能會非常高。破碎的材料可能會導致雙手受傷。
- 除非鑽頭已完全停止旋轉，否則請勿放下工具。旋轉中的鑽頭可能會導致傷害。
- 請勿使用鑿子敲打卡住的鑽頭。金屬碎屑或材料切屑可能會彈出和導致傷害。
- 稍有磨損的鑿子可以透過打磨磨尖。
- 讓電線遠離旋轉中的鑽頭。請勿使用身體纏繞電線。纏繞在旋轉中的鑽頭附近的電線可能會導致人身傷害或失控。

剩餘風險

使用電鎚有以下固有危險：

- 接觸工具的旋轉部件或高溫部件導致的傷害。

即使應用有關的安全規定並採用安全設備，仍然還有一些無法避免的剩餘風險。危險包括：

- 聽力受損。
- 更換配件時擠壓手指的危險。
- 在混凝土和/或磚石工作環境下產生的可吸入粉塵對健康的危害。

工具上的標誌

工具上會附帶下列圖示：



使用前請閱讀使用手冊。



請佩戴聽力保護器。



請佩戴護目鏡。

日期代碼位置 (圖 A)

日期代碼 (20) 也包括 製造年份，已經印刷在工具外殼上電池安裝接口的表面上。

範例：

2014 XX XX

製造年份

所有電池充電器之重要安全指示

請保存這些安全指示：本說明書提供有關 DE9000/DC9000 充電器重要的安全和操作指示。

- 在使用充電器之前，請先閱讀所有指示以及充電器、電池組和使用電池組的產品上的警告標記。



危險：觸電致死危險。充電電極含有 110 伏特電壓。切勿插入導電體。否則可能會引起觸電或觸電致死。



警告：觸電危險。切勿讓任何液體進入充電器，否則可能會導致觸電。



小心：燒傷危險。為了減低受傷風險，只可以使用 DeWALT 可充電的電池。其他非原廠電池可能會爆裂，導致人身傷害和損害。



小心：在某些情況下，充電器連接到電源後，充電器內暴露的充電觸頭會被異物導致短路。導電的異物，包括但不限於鋼絲絨、鋁箔紙或任何由金屬粒子組成的物件，必須要遠離充電器範圍。充電器裡沒有電池組時，一定要拔掉充電器的電源。請先拔掉電源插頭後再清潔充電器。

- **切勿嘗試使用本手冊未提到的充電器替電池組充電。**充電器和電池組是為了一同使用而特別設計。
- **除了為 DeWALT 可再充電的電池充電之外，這些充電器不可以用於其他用途。**否則可能會導致火災、觸電或觸電致死。
- **切勿把充電器暴露在雨、雪之中。**
- **中斷充電器的電源時，請拔除插頭而非拉扯電線。**這樣會減低電源插頭和電線損壞的風險。
- **請確保電線的位置不會被踐踏、令人絆倒，或引起其他方式的損壞或受壓。**
- **除非絕對需要，否則請勿使用延長電線。**使用不適當的延長電線會引起火災、觸電或觸電致死。
- **請勿將任何物件放在充電器上面，或是把充電器放在可能會堵住通風槽的柔軟表面，導致充電器的內部過熱。**請將充電器放到遠離熱源的位置。充電器通過外殼頂部和底部的通風槽散熱。
- **切勿操作電線或插頭損壞的充電器** — 請立即更換損壞的部分。
- **如果充電器受到重擊、墜落或出現其他損壞情況，請勿使用充電器，並拿到授權維修中心修理。**
- **切勿自行拆卸充電器。需要維護或修理時，請拿到授權維修中心。**重新組裝不當可能會導致觸電、觸電致死或火災。
- **在清潔之前，請將充電器的插頭從電源插座上拔掉，這樣可以減低觸電風險。**拆除電池組並不能夠降低這種風險。

- 切勿試圖將 2 個充電器連接在一起。
- 充電器是為了標準 110 伏特的家用電源而設計。切勿試圖使用其他電壓。本規定不適用於車載充電器。

請保存這些安全指示

充電器

DE9000 充電器僅接受 36 伏特鋰離子電池。

本充電器毋須調節，設計容易使用。

充電程序 (圖 A、B)



危險：觸電致死危險。充電電極含有 110 伏特電壓，切勿插入導體。否則有觸電或觸電致死的危險。

1. 放進電池組前，先將充電器 (13) 的插頭插到適當的插座。
2. 將電池組插入充電器。充電器配備三個燈的電量計，會根據電池組的充電狀態閃爍。
3. 當紅燈會持續亮起時，代表充電完成。這個時候，電池組的電力全滿，可以立即使用或是留在充電器裡。

註：為了確保鋰離子電池的效能和使用壽命最大化，在第一次使用電池組之前必須將它完全充電。

充電程序

請見下表瞭解電池組的充電狀態。

充電狀態	
1 燈閃爍	< 33%
1 燈閃爍，1 燈亮	33–66%
1 燈閃爍，2 燈亮	66–99%
3 燈全亮	100%

自動更新

自動更新模式能夠均衡或平衡電池組中每個電池的峰值容量。電池組要每週更新一次，或是每當電池組無法輸出相同的功時更新。

要更新電池組，請將電池如常放進充電器。將電池組留在充電器至少 10 小時。

電池組熱/冷延遲

當充電器偵測到電池過熱或過冷，就會自動啟動電池組熱/冷延遲，在電池達到適合的溫度之前暫停充電。然後，充電器會自動轉換到電池組充電模式。這項功能有效延長電池的壽命。

僅限鋰離子電池組

鋰離子電池設計有電子保護系統，保護電池免受過載、過熱或深度放電。

如果電子保護系統啟動，本工具會自動關閉。如果出現此情況，請將鋰離子電池放進充電器直到電力全滿。

適用所有電池組的重要安全指示

購買替換電池組時，請務必提供目錄號、電壓和安時資料。

包裝內的電池組並未完全充電。在使用電池組和充電器之前，請先閱讀以下安全指示，並遵循所列的充電程序。

請閱讀所有指示

- **不要在易爆環境，如有易燃液體、氣體或粉塵的環境中進行充電或使用電池。**將電池組放進充電器或拆除電池可能會點燃粉塵或氣體。
- 請僅使用 DeWALT 充電器為電池組充電。
- **請勿**將水份或其他液體飛濺到電池組或將電池組浸沒。
- **請勿**在溫度可能達到或超過 40°C 的地方儲存或使用本工具和電池組（例如夏季時沒有遮擋的地方或金屬建築物）。



危險：不論是因為任何理由，都不要嘗試打開電池。如果電池組的外殼破裂或損毀，請勿放進充電器。切勿撞擊、摔落或損毀電池組。切勿使用受到重擊、墜落或出現其他損壞情況的電池組或充電器（例如釘子刺穿、以鋸子敲打或踩踏）。否則可能會引起觸電或觸電致死。損毀的電池組應該送回維修中心進行回收。



小心：不使用工具時，請將工具放在穩定的表面上，以免導致絆倒或墜落等危險。一些具有大型電池組的工具可以直立但可能會輕易被撞倒。

鋰離子電池 (Li Ion) 之特殊安全指示

- 即使電池組已嚴重損毀或磨損，請勿焚燒電池組。電池組可能會在火中爆炸。焚燒鋰離子電池組時會產生有毒氣體和物料。
- 如果電池液體接觸到皮膚，請立即以中性肥皂和清水沖洗接觸範圍。若電池液進入眼睛，立即用清水沖洗 15 分鐘或直到刺激消失。如果需要接受治療，電池的電解質由液化有機碳酸鹽和鋰鹽構成。
- 開啟的電池中的物質可能會導致刺激呼吸道。請轉移至空氣流通處。如果症狀持續，請尋求醫療協助。



警告：燒傷危險。電池液如遇到火花或火焰可能會引起燃燒。

運輸

DEWALT 電池符合所有使用的行業和法律標準規定的運輸規定，包括聯合國危險貨物運輸建議書、國際航空運輸協會 (IATA) 危險物品處理規則、國際海運危險物品 (IMDG) 處理規則以及國際公路運送危險物品歐洲協議 (ADR)。鋰離子電池和電池組均已根據《聯合國危險貨物運輸建議書測試與標準手冊》第 38.3 節的規定進行測試。

大多數情況下，運輸 DEWALT 電池組不會被分歸為完全管制的第 9 類危險品。屬於第 9 類危險品運輸的情況通常有兩種：

1. 空運兩個以上的 DEWALT 鋰離子電池組，且包裝中只包含電池組（不含工具），以及
2. 任何運輸中包含能量級大於 100 瓦時 (Wh) 的鋰離子電池。所有鋰離子電池外殼上均標註有瓦時等級。

無論運輸是否納入完全管制範圍內，運輸方均有責任諮詢瞭解針對包裝、標籤/標記及單據要求的最新規定。

電池運輸途中，若兩級意外接觸導電材料，可能會引發火災。運輸電池時，確保電池兩級受到保護並與可能接觸兩級並導致短路的材料隔絕。

手冊本節資訊基於良好商譽原則提供，在編製文件時被視為準確無誤，但不提供任何明示或暗示的保證。買方負有確保其行為遵守適用法規的責任。

電池組

電池類型

DCH363 和 DCH364 使用 36 伏鋰離子電池組供電。

儲存建議

1. 乾燥、涼爽、太陽不會直接照射、不會過熱或過冷的地方，就是電池組的最佳存放地點。為達到最大效能和使用壽命，不使用電池時請以室溫儲存電池組。

註：鋰離子電池組應在完全充電之後再儲存。

2. 長期存放不會電池組或充電器造成損害。只要環境適宜，電池組可以存放長達 5 年。

充電器和電池組上的標籤

除了本手冊的圖示之外，充電器和電池組上的標籤包含以下圖示：



使用前請閱讀使用手冊。



充電時間請見**技術資料**



切勿暴露在水中



切勿插入導電體



切勿為損毀的電池組充電



請勿使用受損的充電器



只在溫度介於 4 °C 至 40 °C 之間充電



立即更換損壞的電線



充電器問題



電池問題



棄置電池組時要顧及環保



切勿焚化電池組



只使用原廠的 DeWALT 充電器為 DeWALT 電池組充電。使用 DeWALT 充電器對指定的 DeWALT 電池以外的電池組充電會爆裂或導致其他危險情形。

套裝內的物件

本套裝包括：

- 1 充電式電鏈鑽
- 1 側手柄
- 1 深度調節桿
- 1 集塵系統
- 1 無鎖匙夾頭 (DCH364)
- 2 電池組 (D2、M2)
- 1 電池組 (D1、M1)
- 1 充電器
- 1 工具箱
- 1 使用手冊

註：N 型號不隨附電池組和充電器。

- 檢查工具、部件或配件有否在運送途中損壞。
- 操作前，請抽空徹底地閱讀和掌握本手冊的內容。

說明 (圖 A、A1、D、H)



警告：請勿改動本電動工具或其任何部件，否則可能導致損壞或人身傷害。

- 1 變速開關
- 2 正/反轉開關
- 3 模式選擇器
- 4 安全鎖
- 5 SDS Plus® 工具夾持器
- 6 鎖定環
- 7 塵罩
- 8 深度調節桿
- 9 側手柄
- 10 主手柄
- 11 電池組
- 12 釋放按鈕
- 13 充電器
- 14 充電指示燈 (紅色)
- 15 工具夾持器鎖定套筒
- 16 無鎖匙夾頭

設計用途

充電式電鏈鑽設計用於專業鑽孔、鏈鑽、螺旋操作以及輕型鑿打用途。

切勿在潮濕有水或存有易燃液體或氣體的環境下使用工具。

這些重型電鏈鑽是專業的電動工具。**不要**讓兒童接觸本工具。缺乏經驗的操作人員需要在監督下使用本工具。

- **兒童和體弱者。**兒童或體弱者在沒有他人監督的情況下不適宜使用本工具。
- 體力、感覺或智力不足，以及缺乏經驗、知識或技能的人員 (包括兒童) 不適合使用本產品，除非一旁有能為他們的安全負責的監督人員。切勿讓兒童單獨接觸本工具。

集塵系統 (圖 A1)

- 17 集塵系統的電源插腳
- 18 集塵系統 (D25302DH)*
- 19 安裝在電鏈鑽上的集塵系統

*集塵系統 (D25302DH) 可從最近的 DeWALT 授權經銷商處另行購買。

過載離合器

若鑽頭卡住，鑽主軸的驅動器將會停止。由於會產生反向力，請務必使用雙手穩固地握住工具並站穩。

制動機制

鬆開變速開關後，主軸會立即停止轉動。

震動主動控制

震動主動控制可以減緩錘擊操作帶來的震動。透過減緩雙手和手臂的震動，可讓您舒適地操作較長時間，並延長工具的壽命。在操作過程中，彈簧機制可平衡震動力。您可以透過對工具施壓時的減震效果感知此機制發揮的作用。確保彈簧接合但不要太緊。該彈簧機制應允許一定的「浮動」空間。

電氣安全

電動機只適用一種電壓。請務必檢查電池組電壓是否與銘牌一致，並且確保充電器的電壓與電源電壓一致。



DeWALT 充電器根據 IEC 60335 進行雙重絕緣，因此不需要使用接地線。

如果電源線損壞，必須使用 DeWALT 維修機構提供的專用電源線取代。

使用延長纜線

如非絕對必要，否則不要使用延長電線。請使用與充電器的輸入功率相配的認可延長電纜（請見技術資料）。導電體的最小尺寸為 1 mm²；最長為 30 m。

使用電纜捲筒時，每次必須把電纜完全展開。

組裝和調整



警告：每次進行組裝和調整之前，務必取出電池組。放進或取出電池組之前，務必關掉工具的電源。



警告：只可以使用 DeWALT 電池組和充電器。

安裝和取出電池組 (圖 A)

- 若要安裝電池組 (11)，請將它與工具上的插座對齊。將電池組滑入插座，然後推動直到電池卡入定位。
- 若要卸下電池組，請在按下釋放按鈕 (12) 的同時將電池組從插座中拉出。

電量計電池組 (圖 A)

一些 DeWALT 電池組帶有包含三個綠色 LED 燈的電量計，可以指示電池組的剩餘電量。

若要啟用電量計，請按下並按住電量計按鈕 (21)。三個綠色 LED 燈將以組合方式亮起，以指示剩餘電量。電池電量低於可用限值時，電量計不會亮起，此時需要對電池充電。

註：電量計只指示電池組的剩餘電量。它並不指示工具功能，且根據工具組件、溫度和最終使用者的應用而有所不同。

選擇操作模式 (圖 C)

本工具可用以下操作模式：



鑽孔：用於螺旋以及在鋼材、木材和塑膠上鑽孔。



錘鑽：用於在混凝土和磚石上鑽孔。



錘擊：用於輕型鑿打

- 若要選擇操作模式，請按下安全鎖 (4) 並旋轉模式選擇器開關 (3) 直到其指向所需的模式符號。
- 鬆開安全鎖並檢查模式選擇器開關是否鎖定位。



警告：工具運行時請勿選擇操作模式。

放進及取出 SDS Plus® 附件 (圖 D)

電錘鑽使用 SDS Plus® 附件 (SDS Plus® 鑽頭桿的橫截面圖，請參閱插頁中的圖 D)。

- 清潔和潤滑 SDS Plus® 鑽頭桿。
- 將 SDS Plus® 鑽頭桿插入 SDS Plus® 工具夾持器 (5)。
- 將鑽頭向下推，輕輕旋轉直到安裝到槽內。
- 拉動鑽頭以檢查它是否正確鎖定。要使用錘擊功能，鑽頭需要在 SDS Plus® 工具夾持器中鎖定時可以軸向移動數公分。
- 若要取出鑽頭，請向後拉 SDS Plus® 工具夾持器鎖定套管 (15)，然後將鑽頭拉出。

安裝側手柄 (圖 E)

側手柄 (9) 可根據需要調整，以適合右手操作和左手操作使用者的需要。



警告：側手柄未正確組裝時，切勿使用工具。

- 鬆開側手柄
- 對於右手操作者，滑動側手柄越過工具夾持器後面的調整環上方，手柄在左側。
- 對於左手操作者，滑動側手柄越過工具夾持器後面的調整環上方，手柄在右側。
- 將側手柄旋轉至所需位置，擰緊手柄。

設定鑽孔深度 (圖 F)

- 插入所需的鑽頭。
- 鬆開側手柄 (9)。
- 使深度調節桿 (8) 穿過側手柄夾的孔。
- 如圖所示調整鑽孔深度。
- 擰緊側手柄。

正/反轉滑塊 (圖 G)

- 若要選擇向前 (右手) 旋轉，將正/反轉滑塊 (2) 撥到左邊。查看工具上的箭頭。
- 若要選擇反向 (左手) 旋轉，將正/反轉滑塊 (2) 撥到右邊。



注意：在更改旋轉方向之前，請務必等待直到電動機完全停止。

將 SDS Plus® 工具夾持器更換為無鎖匙夾頭 (圖 H)

DCH364

- 將鎖定環 (6) 旋轉至解鎖位置並將 SDS Plus® 工具夾持器 (5) 拉出。
- 將無鎖匙夾頭 (16) 推向主軸並將鎖定環旋轉至鎖定位置。
- 若要将無鎖匙夾頭更換為 SDS Plus® 工具夾持器，請先以卸下 SDS Plus® 工具夾持器同樣的方式卸下無鎖匙夾頭。然後以更換無鎖匙夾頭的同樣方式更換 SDS Plus® 工具夾持器。



注意：切勿在錘鑽模式下使用無鎖匙夾頭 (16)。錘鑽模式下只能使用 SDS Plus® 工具夾持器。

更換塵罩 (圖 D)

塵罩 (7) 可防止灰塵進入工具。塵罩一旦磨損應立即更換。

- 向後拉 SDS Plus® 工具夾持器鎖定套管 (15)，然後將塵罩 (7) 拉出。
- 安裝新塵罩。
- 鬆開 SDS Plus® 工具夾持器鎖定套管。

操作

說明使用



警告：為了減低造成嚴重人身傷害的風險，在進行任何調整或卸下或安裝附件或配件之前，切記關掉工具的電源並取出電池組。意外啟動工具可能會造成傷害。

**警告：**

- 務必遵守安全指示和適用的規則。
- 小心管道和佈線的所在位置。
- 僅對工具施加適當的力度（大約 5 kg）。過大力度並不會加快鑽孔的速度，並會降低工具的效能和縮短工具的壽命。
- 切勿鑽得太深以避免塵罩損壞。
- 請務必使用雙手穩固地握住工具並站穩。
- 請務必在已正確地安裝側手柄的情況下操作本工具。
- 如果切削工具不夠鋒利，應進行更換。

使用前的準備工作：

- 請確保您的電池組已（完全）充電。
- 請確保您的電池組已安裝到位。

正確的雙手放置位置（圖 A、I）

警告：為了減低造成嚴重人身傷害的風險，**務必**如圖示那樣正確放置雙手。



警告：為了減低造成嚴重人身傷害的風險，預期有突然反應時**務必**握緊。

正確的雙手放置位置是一隻手放在側手柄 (9) 上，另一隻手握住主手柄 (10)。

開啟和關閉電源（圖 A）

- 若要運行工具電源，請按下變速開關 (1)。工具速度取決於向變速開關施加的壓力。
- 若要停止運轉工具，請鬆開開關。
- 若要将工具鎖定在關閉位置，請將正/反轉滑塊 (2) 撥到中間位置。

錘鑽操作（圖 A）

- 將模式選擇器 (3) 設定為「錘鑽」位置。
- 插入相應的鑽頭。為了達到最好的效果，請使用高品質的硬合金鑽頭。

- 按需要調整側手柄 (9)。
- 如有需要，設定鑽孔深度。
- 在要鑽孔的位置做標記。
- 將鑽頭對準標記並啟動工具。

鑽孔操作（圖 A、H）

- 將模式選擇器開關 (3) 設定為「鑽孔」位置。
- 請根據工具的型號執行以下任一指示：
 - 安裝夾頭夾頭連接器/夾頭組件 (DCH363)。帶鑰匙/無鑰匙夾頭和夾頭適配器可以單獨購買。配備螺紋部分的專用 SDS Plus® 連接器可配合標準 10 或 13 毫米夾頭使用，以便使用直鑽頭桿。
 - 將 SDS Plus® 工具夾持器更換為無鎖匙夾頭 (16) (DCH364)。
- 按錘鑽部分所述進行操作。



注意：切勿在錘鑽模式下使用無鑰匙夾頭 (16)。錘鑽模式下只能使用 SDS Plus® 工具夾持器。

螺旋操作（圖 A、H）

- 將模式選擇器開關 (3) 設定為「鑽孔」位置。
- 選擇旋轉方向。
- 請根據工具的型號執行以下任一指示：
 - 插入專用 SDS Plus® 螺旋配接器，以配合六角形螺絲起子鑽頭（可單獨購買）使用 (DCH363)。
 - 將 SDS Plus® 工具夾持器 (5) 更換為無鎖匙夾頭 (16) (DCH364)。
- 插入相應的電鑽起子頭。旋轉平頭螺絲時務必使用安裝了探測套管的鑽頭。
- 輕按變速開關 (1) 以避免螺絲頭損壞。向後 (LH) 旋轉時工具會自動降低速度，以便移除螺絲。
- 當螺絲已完全鑽入工件時，請放開按變速開關以避免螺絲頭貫穿工件。

鑿打 (圖 A)

DCH363、DCH364

- 將模式選擇器 (3) 設定為「錘擊」位置。
- 插入適用的鑿子並檢查是否已正確地鎖住。
- 按需要調整側手柄 (9)。
- 開啟工具以開始操作。

將工具由鑿打模式切換為旋轉模式後，您可能需要稍稍運轉電動機以對齊齒輪。



警告：

- 請勿使用本工具來混合或泵打易燃或易爆液體（揮發油、酒精等等）。
- 請勿使用本工具來混合或攪拌標有易燃標記的液體。

維護

DEWALT 電動工具採用卓越的設計，能夠長時間使用，並且只需最少的維護。若要持續獲得滿意的操作效果，需進行正確的工具維護和定期的清潔。



警告：為了減低造成嚴重人身傷害的風險，在進行任何調整或卸下或安裝附件或配件之前，切記關掉工具的電源並取出電池組。意外啟動工具可能會造成傷害。

充電器和電池組是不可檢修的裝置。充電器和電池組內不含可檢修的部件。



潤滑

本電動工具毋需額外潤滑。使用的 SDS Plus® 配件和附件必須定期進行潤滑。



清潔



警告：一旦通風口及其周圍積聚可見的塵埃，請立即使用乾燥的壓縮空氣吹掉主機外殼內的塵埃和灰塵。執行此步驟時，請佩戴經認可的護目裝備和防塵面罩。



警告：切勿使用溶劑或其他刺激性化學品來清潔工具的非金屬部件。這些化學品可能會削弱零件中使用的材料。只能使用抹布蘸中性肥皂水進行清潔。不要讓任何液體進入工具；不要讓工具的任何部分浸入液體中。

充電器清潔指示



警告：觸電危險。在清潔之前，請將充電器的插頭從電源插座上拔掉。使用軟布或非金屬軟刷，去除充電器外部的污垢和油脂。請勿使用水或任何清潔劑。

選購配件



警告：由於非 DEWALT 所提供的配件未在本產品上進行過使用測試，在本產品上使用這些配件可能會導致危險。為降低傷害危險，在本產品上只應使用 DEWALT 所推薦的配件。

您可選購不同種類的 SDS Plus® 鑽頭以及鑿子。

如需進一步瞭解適用配件的相關資訊，請洽詢當地代理商。

保護環境



分類收集。本產品必須與一般家庭廢物分開處置。

若您發現您的 DEWALT 產品需要進行替換，或您已經不再需要使用這些產品，請不要將它們與家庭廢物一起處置。務必將本產品送往分類收集處。



分類收集用過的產品和包裝允許材料循環再生利用。重新使用循環利用的材料有助於防止環境污染，並減少原始材料的需求。

當地法規可能要求由市政廢物回收點，或由向您出售新產品的經銷商來提供將電子產品與家庭廢物分類收集的服務。

DeWALT 提供設施收集和回收使用壽命結束的 DeWALT 產品。若要享受此項服務，請將產品送回任一授權維修中心，由其代表我們進行收集。

請根據本手冊上所提供地址與當地 DeWALT 辦事處聯絡，查詢離您最近的授權維修中心所在位置。您亦可瀏覽網站查詢 DeWALT 授權維修中心清單和售後服務及聯絡資料之詳細資訊，網址是：www.2helpU.com。



Li-ION

電池組

本電池組使用壽命長，如無法完成理應輕鬆完成的工作時，必須為電池組充電。在使用壽命結束時，請妥善處置以保護我們的環境：

- 使電池完全放電，然後將它從工具中卸下。
- 鋰離子電池是可回收的。請將它們送往您的代理商或當地的回收站。所收集的電池組將會再循環利用或妥善處置。

進口商: 永安實業股份有限公司

地址: 新北市三重區新北大道二段137號

電話: 02-29994633

충전식 로타리 햄머드릴

DCH363, DCH364

축하합니다!

DEWALT 공구를 선택해 주셔서 감사합니다. DEWALT는 오랜 경험과 제품 개발 및 혁신을 통해 전문 공구 사용자들이 인정하는 기업으로 자리잡아 왔습니다.

기술 데이터

		DCH363	DCH364
전압V		36	36
종류		1	1
무부하 속도	분 ⁻¹	0-1100	0-1100
전원 출력	W	600	600
타격력(EPTA 05/2009)	J	2.3	2.3
철금속/목재/콘크리트에서의 최대 천공 범위	mm	13/30/26	13/30/26
공구 홀더		SDS Plus®	SDS Plus®
분당 타격 수		4500	4500
무게(배터리 팩 제외)	kg	2.6	2.8

배터리 팩		DE9360	DCB360	DCB361
전압	V _{DC}	36	36	36
용량	Ah	2.0	4.0	2.0
무게	kg	0.9	1.3	0.9

충전기	DE9000		
전원 전압	V _{AC}	220	
대략적 충전 시간	분	90 (4.0 Ah)	45 (2.0 Ah)
무게	kg	0.9	

정의: 안전 지침

다음 정의는 각 경고 문구의 심각도를 설명합니다. 사용 설명서를 읽고 다음 기호들에 유의하십시오.



위험: 절박한 위험 상태를 나타내며, 방지하지 않으면 **사망 또는 심각한 부상을 초래합니다.**



경고: 잠재적 위험 상태를 나타내며, 방지하지 않으면 **사망 또는 심각한 부상을 초래할 수 있습니다.**



주의: 잠재적으로 위험한 상태를 나타내며, 방지하지 않으면 **경미하거나 가벼운 부상을 초래할 수 있습니다.**

참고: 신체 부상을 초래하지 않는 행위를 나타내며 방지하지 않으면 **재산상의 손해가 발생할 수 있습니다.**



감전 위험을 나타냅니다.



화재 위험을 나타냅니다.



경고: 부상 위험을 줄이려면 사용 설명서를 숙지하십시오.

전동 공구에 관한 일반 안전 경고



경고! 안전 경고와 지시사항을 모두 읽으십시오. 경고 및 지시 사항을 준수하지 않으면 감전, 화재 및/또는 심각한 부상을 초래할 수 있습니다.

항후 참고할 수 있도록 모든 경고 및 지시 사항을 보관해두십시오.

경고에서 사용된 "전동 공구"라는 용어는 주 공급 전원에 의해 전기가 공급되는(유선) 전동 공구 또는 충전식(무선) 전동 공구를 의미합니다.

1) 작업장 안전

- 작업 영역을 청결하고 밝게 유지하십시오. 혼잡하거나 어두운 작업장에서는 사고가 발생하기 쉽습니다.
- 가연성 액체, 가스 또는 먼지 등 폭발 가능성이 있는 환경에서 전동 공구를 사용하지 마십시오. 전동 공구에서 먼지나 가스를 발화시킬 수 있는 불꽃이 될 수 있습니다.
- 전동 공구로 작업하는 동안에는 어린이와 주변 사람들이 작업 영역에 가까이 들어오지 못하도록 하십시오. 주변이 산만해져 통제력을 잃을 수 있습니다.

2) 전기 안전

- 전동 공구의 플러그는 콘센트와 형식이 일치해야 합니다. 플러그를 어떤 방식으로든 절대 개조하지 마십시오. 접지된(지면 접지) 전동 공구에 어떤 어댑터 플러그도 사용하지 마십시오. 개조되지 않은 플러그 및 형식이 일치하는 콘센트를 사용하면 감전 위험이 줄어듭니다.
- 파이프, 라디에이터, 렌지 및 냉장고를 등과 같이 접지된 표면에 몸이 닿지 않도록 하십시오. 신체가 접지되어 있으면 감전 위험이 높아집니다.
- 전동 공구를 비 또는 습한 환경에 노출하지 않도록 주의하십시오. 전동 공구에 물이 들어가면 감전 위험이 높아집니다.
- 코드를 함부로 다루지 마십시오. 코드를 사용하여 전동 공구를 운반하거나 잡아당기거나 플러그를 뽑지 마십시오. 열, 오일, 날카로운 모서리 또는 움직이는 부품에서 멀리 떨어진 장소에 코드를 보관하십시오. 코드가 손상되거나 얽혀 있으면 감전 위험이 높아집니다.
- 전동 공구를 실외에서 사용할 때는 실외 사용에 적합한 연장 코드를 사용하십시오.

실외 사용에 적합한 코드를 사용하면 감전 위험이 줄어듭니다.

- 어쩔 수 없이 습한 장소에서 전동 공구를 사용해야 하는 경우에는 누전 차단기(RCD)로 보호된 전원 공급 장치를 사용하십시오. RCD를 사용하면 감전 위험이 줄어듭니다.

3) 신체 안전

- 전동 공구로 작업할 때는 방심하지 말고 작업에 주의하면서 상식에 따르십시오. 피곤한 상태이거나 약물, 술, 치료제를 복용한 상태에서는 전동 공구를 사용하지 마십시오. 전동 공구를 사용하는 중에 주의력을 잃어 순간적으로 부상을 당할 수 있습니다.
- 신체 보호 장비를 착용하십시오. 항상 안전경을 착용하십시오. 적합한 상황에서 방진 마스크, 미끄럼 방지 안전화, 안전모 또는 청력 보호 기구 등의 보호 장비를 사용하면 신체 부상 위험이 줄어듭니다.
- 갑작스러운 장비 가동을 방지하십시오. 전원 및/또는 배터리 팩에 연결한 상태로 공구를 선택 또는 운반할 때는 사전에 스위치가 꺼짐 위치에 있는지 반드시 확인하십시오. 스위치가 켜짐 위치에 있는 상태에서 스위치에 손가락이 닿은 상태로 전동 공구를 운반하거나 전동 공구에 전원을 공급하면 사고가 발생합니다.
- 전동 공구를 켜기 전에 모든 조정 키 또는 렌치를 제거하십시오. 전동 공구의 회전 부품에 렌치나 키가 부착되어 있으면 부상을 당할 수 있습니다.
- 무리하게 팔을 뻗지 마십시오. 항상 올바른 자세로 서서 균형을 유지하십시오. 그러면 예기치 않은 상황에서의 전동 공구 제어 능력이 향상됩니다.
- 적절한 의복을 착용하십시오. 헐렁한 옷이나 장신구를 착용하지 마십시오. 머리카락, 옷 및 장갑이 움직이는 부품에 닿지 않도록 유의하십시오. 헐렁한 옷, 장신구 또는 긴 머리카락이 움직이는 부품에 낄 수 있습니다.
- 먼지 배출 및 집진 시설 연결을 위한 장치가 제공된 경우, 이들 장치가 연결되어 적절히 사용되고 있는지 반드시 확인하십시오. 집진 장치를 사용하면 먼지와 관련된 위험을 줄일 수 있습니다.

4) 전동 공구 사용 및 관리

- 전동 공구에 무리한 힘을 가하지 마십시오. 해당 용도에 맞는 올바른 전동 공구를 사용하십시오. 올바른 전동 공구를 사용해야

설계된 속도로 작업을 더욱 안전하고 정확하게 수행할 수 있습니다.

- b) 스위치 켜짐/꺼짐이 되지 않는 전동 공구는 사용하지 마십시오. 스위치로 제어되지 않는 전동 공구는 위험하며 수리해야 합니다.
- c) 전동 공구를 조정하거나 액세서리를 변경하거나 보관하기 전에 전원 및/또는 배터리 팩에서 플러그를 빼십시오. 이러한 예방적 안전 조치를 따라야 전동 공구가 갑자기 작동할 위험이 줄어듭니다.
- d) 사용하지 않는 전동 공구는 어린이의 손이 닿지 않는 곳에 보관하고, 전동 공구나 본 지시 사항에 익숙하지 않은 사람이 전동 공구를 절대 사용하지 못하게 하십시오. 전동 공구는 훈련을 받지 않은 사용자가 다루면 위험합니다.
- e) 전동 공구 유지 보수. 움직이는 부품의 잘못된 정렬이나 바인딩, 부품 파손 및 기타 전동 공구의 작동에 영향을 미칠 수 있는 기타 모든 상태를 확인하십시오. 손상된 부분이 있는 경우 사용하기 전에 전동 공구를 수리하십시오. 많은 사고는 전동 공구를 제대로 유지 보수하지 않아 발생합니다.
- f) 절삭 공구를 예리하고 깨끗한 상태로 유지하십시오. 절단식 가장자리를 예리하게 잘 유지하면 절단기를 사용할 때 바인딩이 적고 다루기가 용이합니다.
- g) 작업 환경과 수행할 작업을 고려하여, 본 지시 사항에 따라 전동 공구, 액세서리 및 톨 비트 등을 사용하십시오. 본 사용 설명서의 내용과 다른 용도로 전동 공구를 사용하면 위험한 상황이 발생할 수 있습니다.

5) 배터리 공구 사용 및 관리

- a) 다시 충전할 때는 제조업체에서 지정한 충전기만 사용하십시오. 한 배터리 팩 유형에 적합한 충전기를 다른 배터리 팩과 함께 사용할 경우 화재의 위험이 있습니다.
- b) 전동 공구를 사용할 때는 구체적으로 지정되어 있는 배터리 팩만 사용하십시오. 다른 배터리 팩을 사용하면 부상을 입거나 화재의 위험이 있습니다.
- c) 배터리 팩을 사용하지 않을 때에는 클립, 동전, 키, 못, 나사 등의 금속 물체나, 단자 간에 연결할 수 있는 작은 금속 물체가 닿지 않도록 멀리 두십시오. 배터리 단자가 단락되면 화상을 입거나 화재가 발생할 위험이 있습니다.
- d) 배터리를 과다 사용하면 배터리액이 흘러 나올 수 있는데 접촉을 피하십시오.

실수로 접촉한 경우에는 물로 씻으십시오. 액체가 눈에 들어가면 치료를 받으십시오. 배터리에서 나온 액체는 통증을 유발하거나 화상을 입힐 수 있습니다.

6) 정비

- a) 자격을 갖춘 기술자가 동일 교체 부품을 사용하여 정비 작업을 수행해야 합니다. 그래야 전동 공구의 안전이 보장됩니다.

로타리 햄머에 특정하게 적용되는 추가 안전 규칙

- 귀 보호 장구를 착용하십시오. 소음에 노출되면 청력이 손상될 수 있습니다.
- 보조 핸들(공구와 함께 제공된 경우)을 사용하십시오. 제어력을 잃으면 신체 부상을 당할 수 있습니다.
- 절삭 액세서리가 숨겨진 배선에 접촉할 수 있는 작업을 수행할 때는 절연된 손잡이 부분을 이용해 전동 공구를 쥐십시오. "전류가 흐르는" 전선에 접촉된 절삭 액세서리는 전동 공구의 노출된 금속 부품을 "전류가 흐르는" 상태로 만들어 작업자를 감전시킬 수 있습니다.
- 클램프 또는 다른 적절한 방식을 이용하여 안정된 작업대에 작업 공구들을 고정 및 지지하십시오. 작업물을 손으로 잡거나 몸에 지지하는 행동은 불안정하며, 제어력을 잃을 수 있습니다.
- 안전 고글 또는 기타 눈 보호 장구를 착용하십시오. 햄머 작업 시 파편이 날아갈 수 있습니다. 파편이 날아가 눈이 영구적으로 손상될 수 있습니다. 먼지가 발생하는 용도에 사용할 때는 마스크 또는 방독 마스크를 착용하십시오. 대부분의 경우에 귀 보호 장구가 필요할 수 있습니다.
- 항상 공구를 단단히 잡으십시오. 공구를 양 손으로 잡지 않고 이 공구를 작동하려고 시도하지 마십시오. 항상 사이드 핸들을 사용하는 것이 좋습니다. 한 손으로 이 공구를 사용하면 제어력을 잃을 수 있습니다. 강철봉과 같은 단단한 재질을 뚫는 것 또한 위험할 수 있습니다. 사용하기 전에 사이드 핸들을 단단히 조이십시오.
- 본 공구를 장시간 사용하지 마십시오. 햄머 작동으로 인한 진동은 손과 팔에 유해할 수 있습니다. 장갑을 사용하여 추가 쿠션을 제공하고 종종 휴식을 취하여 진동에 의한 노출을 제한하십시오.

- 직접 비트를 재조정하지 마십시오. 치즐 재조정은 공인 전문가가 수행하여야 합니다. 치즐을 잘못 재조정하면 부상을 입을 수 있습니다.
- 공구를 작동하거나 비트를 교환할 때는 장갑을 착용하십시오. 공구가 작동되는 동안 접근하기 쉬운 공구와 비트의 금속 부품은 매우 뜨거울 수 있습니다. 깨진 재료의 조그마한 부분이 맨손에 상처를 낼 수 있습니다.
- 비트가 완전히 멈출 때까지 공구를 내려 놓지 마십시오. 비트가 움직이면 부상을 입을 수 있습니다.
- 꼭 끼인 비트를 제거하기 위해 햄머로 치지 마십시오. 금속이나 금속 조각의 파편이 이동하여 부상을 입힐 수 있습니다.
- 약간 마모된 치즐은 연마하여 다시 날카롭게 만들 수 있습니다.
- 전원 코드는 회전하는 비트 가까이에 두지 마십시오. 신체 부위에 코드를 감싸지 마십시오. 방적 비트 주위로 감싼 전기 코드가 신체 부상을 초래하여 제어력을 잃을 수 있습니다.

기타 발생 가능한 위험

로타리 햄머 사용 시 다음과 같은 위험이 따를 수 있습니다.

- 공구의 회전부를 만지거나 가열된 부위에 닿아 발생한 부상.

관련된 안전 규정을 준수하고 안전 장치를 사용한다고 해도 특정한 위험은 피할 수 없습니다. 이러한 위험은 다음과 같습니다.

- 청력 손상.
- 액세서리 교체 시 손가락이 눌리는 위험
- 콘크리트 및/또는 석재 작업 시 발생하는 먼지를 호흡하여 유발되는 건강 위해성

공구에 표시된 마크

공구에는 다음과 같은 그림이 있습니다.



사용 전에 사용 설명서의 내용을 숙지하십시오.



귀 보호 장구를 착용하십시오.



보안경을 착용하십시오.

날짜 코드 위치(그림 A)

날짜 코드(20)에는 제조년도가 포함되어며 이 제조년도는 공구와 배터리의 탑재 이음부가 되는 케이스에 인쇄되어 있습니다.

예:

2014 XX XX

제조년도

모든 배터리 충전기에 대한 중요한 안전 지침

본 지침을 잘 보관해 두십시오. 본 사용 설명서에는 DE9000/DC9000 배터리 충전기에 대한 중요한 안전 및 작업 지침이 포함되어 있습니다.

- 충전기를 사용하기 전에 충전기, 배터리 팩, 그리고 배터리 팩 관련 제품에 대한 지침과 주의 표시를 숙지하십시오.



위험: 감전사 위험. 단차 충전 시에는 220V로 표시됩니다. 전도성 있는 물체로 시험하지 마십시오. 감전 또는 감전사의 위험이 있습니다.



경고: 감전 위험. 충전기 내부에 액체가 들어가지 않도록 하십시오. 감전될 수 있습니다.



주의: 화상 위험. 신체 부상의 위험을 줄이려면 DeWALT 충전용 배터리로만 충전하십시오. 다른 유형의 배터리는 폭발로 인한 신체 부상과 손상을 초래할 수 있습니다.



주의: 특정 조건에서, 충전기가 전원 공급기에 연결되어 있으면 충전기 내부에 노출된 충전 접점이 이물질로 인해 단락될 수 있습니다. 스틸 울(steel wool), 알루미늄 호일, 금속 입자 축적물 등의 전도성 이물질은 충전기 캐비티에 닿지 않게 두어야 합니다. 캐비티 안에 배터리 팩이 없을 경우 항상 배터리 전원 공급기에서 충전기의 플러그를 뽑으십시오. 충전기를 청소할 때는 플러그를 뽑아야 합니다.

- 본 사용 설명서에 명시된 충전기 외의 다른 충전기로 배터리 팩을 충전하지 마십시오. 본 충전기와 배터리 팩은 함께 사용하도록 특수 설계되었습니다.
- 이러한 충전기는 DeWALT 충전용 배터리 충전 이외의 용도로는 사용할 수 없습니다. 다른 용도로 사용하면 화재, 감전 또는 감전사의 위험이 있습니다.

- 충전기가 비나 눈을 맞지 않도록 하십시오.
- 충전기를 분리할 경우 코드가 아니라 플러그를 뽑으십시오. 그래야만 전기 플러그 및 코드 손상의 위험이 줄어듭니다.
- 코드가 밟히거나 걸리거나 기타 원인에 의해 손상되거나 압박을 받지 않도록 유의하십시오.
- 불가피한 경우가 아니면 연장 코드를 사용하지 마십시오. 연장 코드를 잘못 사용하면 화재, 감전 또는 감전사의 위험이 있습니다.
- 충전기 위에 물건을 올려놓거나 부드러운 표면에 충전기를 두면 환기 슬롯이 막혀 내부가 과열될 수 있습니다. 충전기는 열원에 가까이 두지 마십시오. 충전기는 하우징의 상단과 하단에 있는 슬롯을 통해 환기됩니다.
- 코드나 플러그가 손상된 충전기를 작동시키지 마십시오 — 즉시 교체하십시오.
- 심한 충격을 받았거나 떨어뜨렸거나 기타의 방식으로 손상된 경우에는 충전기를 작동시키지 마십시오. 공인 서비스 센터로 가져가십시오.
- 충전기를 분해하지 마십시오. 서비스나 수리가 필요한 경우에는 공인 서비스 센터로 가져가십시오. 잘못 재조립하면 화재, 감전 또는 감전사의 위험이 있습니다.
- 청소하려면 먼저 충전기를 콘센트에서 분리하십시오. 그래야 감전 위험이 줄어듭니다. 배터리 팩을 제거하는 것만으로 이러한 위험이 줄어들지는 않습니다.
- 절대로 충전기 두 개를 함께 연결하지 마십시오.
- 충전기는 가정용 표준 전력(220 V)에서 작동하도록 설계되어 있습니다. 다른 전압에서는 사용하지 마십시오. 차량용 충전기는 제외됩니다.

본 지침을 잘 보관해 두십시오.

충전기

DE9000 충전기는 36 V 리튬 이온 배터리를 사용합니다.

이러한 충전기는 어떠한 조정 작업이 필요하지 않으며 최대한 작동하기 쉽게 설계되었습니다.

충전 절차(그림 A, B)



위험: 감전사 위험. 단자 충전 시에는 220V로 표시됩니다. 전도성 있는 물체로 시험하지 마십시오. 감전 또는 감전사의 위험이 있습니다.

1. 배터리 팩을 넣기 전에 충전기(13)를 적절한 콘센트에 꽂습니다.
2. 배터리 팩을 충전기에 넣습니다. 충전기에는 배터리 팩의 충전 상태에 따라 깜박거리는 삼색 등 배터리 잔량표시계가 장착되어 있습니다.
3. 충전이 완료되면 빨간색 불이 계속 켜져 있습니다. 팩이 완전히 충전되면 바로 사용하거나 충전기에 그대로 둡니다

참고: 리튬이온 배터리의 성능과 수명을 극대화하려면 처음 사용하기 전에 배터리 팩을 완전히 충전시키십시오.

충전 프로세스

배터리 팩의 충전 상태는 아래 표를 참조하십시오.

충전 상태	
표시등 한 번 깜박임	< 33%
표시등 한 번 깜박임, 표시등 한 번 켜짐	33~66%
표시등 한 번 깜박임, 표시등 두 번 켜짐	66~99%
표시등 세 번 켜짐	100%

자동 충전

자동 충전 모드는 배터리 팩에 있는 셀 각각의 용량을 최대로 유지시켜 줍니다. 배터리 팩은 매주 또는 배터리 팩이 이전 수준의 작업을 더 이상 수행하지 못할 때마다 충전해야 합니다.

배터리 팩을 충전하려면 평소대로 배터리를 충전기에 넣고 최소한 10시간 그대로 두십시오.

냉/온 팩 지연

충전기에서 너무 뜨겁거나 차가운 배터리가 감지되면, 냉/온 팩 지연이 자동으로 시작되어 배터리가 적절한 온도가 될 때까지 충전이 중단됩니다. 이 과정이 끝나면 충전기가 자동으로 팩 충전 모드로 전환됩니다. 이 기능은 배터리 수명을 최대한으로 보장하기 위한 것입니다.

리튬이온 배터리 팩에만 해당

리튬이온 배터리는 배터리에 과부하가 걸리거나 과열 또는 완전 방전되는 것을 방지하는 전자 보호 시스템으로 설계되었습니다.

이 공구는 전자 보호 시스템이 작동하면 자동으로 꺼집니다. 이러한 경우 리튬 이온 배터리가 완전히 충전될 때까지 충전기에 리튬 이온 배터리를 넣으십시오.

모든 배터리 충전기에 대한 중요한 안전 지침

배터리 팩 교체를 주문할 때는 카탈로그 번호, 전압 및 전류 시간을 반드시 포함시켜야 합니다.

배터리 팩은 카톤박스에서 꺼낼 때 완전히 충전된 상태가 아닙니다. 배터리 팩과 충전기를 사용하기 전에 아래 안전 지침을 숙독하십시오. 그런 다음 설명된 충전 절차를 따르십시오.

모든 지시 사항을 읽으십시오.

- 가연성 액체, 가스 또는 먼지 등 폭발성 분위기에서 배터리를 충전하거나 사용하지 마십시오. 배터리를 끼우거나 충전기에서 분리할 때 먼지나 가스에 불이 붙을 수 있습니다.
- DEWALT 충전기에서만 배터리 팩을 충전하십시오.
- 물이나 기타 액체가 튀어 묻거나 액체에 빠지지 않도록 하십시오.
- 온도가 40 °C 초과될 수 있는 곳(여름철 허름한 창고 또는 금속 건물 등)에 공구와 배터리 팩을 보관하거나 사용하지 마십시오.



위험: 어떤 이유든 배터리 팩을 절대 분해하지 마십시오. 배터리 팩 케이스가 깨지거나 손상되면 충전기에 넣지 마십시오. 배터리 팩을 문개거나 떨어뜨리거나 손상시키지 마십시오. 강한 충격을 받았거나, 떨어뜨렸거나, 차에 치였거나 기타의 원인으로 어떤 방식으로든 손상된(못이 박히거나 망치로 맞았거나 밟힘) 배터리 팩이나 충전기는 사용하지 마십시오. 감전 또는 감전사의 위험이 있습니다. 손상된 배터리 팩은 재활용을 위해 서비스 센터에 반환해야 합니다.



주의: 사용하지 않는 공구는 걸려 넘어지거나 떨어질 위험이 없는 안정된 표면에 놓혀 두십시오. 배터리 팩이 큰 일부 공구들은 배터리 팩 위에 바로 서 있지만 쉽게 넘어질 수 있습니다.

리튬 이온 (Li-Ion)에 대한 추가 안전 지침

- 배터리 팩이 심하게 손상되거나 완전히 낡았더라도 절대 소각하지 마십시오. 배터리 팩은 불 속에서 폭발할 수 있습니다. 리튬이온 배터리 팩은 연소되면서 독성 연기와 물질을 발생시킵니다.

- 배터리 내용물이 피부에 닿으면 즉시 중성 세척제로 해당 부위를 씻으십시오. 배터리 액체가 눈에 들어갔을 경우, 15분 정도 또는 통증이 가실 때까지 눈을 뜨고 물로 씻어냅니다. 치료가 필요한 경우를 위해, 배터리 전해질은 액체 유기 탄산염과 리튬염의 혼합물로 구성되어 있음을 알아 두십시오.
- 열린 배터리 셀의 내용물은 호흡기 질환을 일으킬 수 있습니다. 신선한 공기를 흡입하십시오. 증상이 계속되면 치료를 받으십시오.



경고: 화재 위험. 배터리액은 불꽃이나 화염에 노출되면 연소될 수 있습니다.

운반

DEWALT 배터리는 위험 화물 운반에 대한 UN 권고를 포함하는 산업 및 법적 기준(IATA (International Air Transport Association): 국제 항공 운송 협회) 위험 화물 규정, IMDG (International Maritime Dangerous Goods: 국제해상위험물운송규칙) 규정 및 ADR (European Agreement Concerning The International Carriage of Dangerous Goods by Road: 국제 도로 위험물품 운송에 관한 유럽 협정)에 따라 모든 해당 운송 규정을 모두 준수합니다. 리튬 이온 전지 및 배터리는 위험 화물 테스트 및 기준 설명서에 대한 UN 권고 38.3항에 따라 테스트되었습니다.

대개의 경우에, DEWALT 배터리 팩 해상 운송은 완전 규제를 받는 Class 9 위험 물질로 분류되는 것에서 제외될 것입니다. 일반적으로, Class 9 운송에 필요한 두 가지 사례는 다음과 같습니다.

1. 포장에 배터리 팩(공구 없음)만 포함되어 있을 때, 두 개 이상의 DEWALT 리튬 이온 배터리 팩을 항공 운송하는 경우, 그리고
2. 100와트시(Wh) 이상의 에너지 등급을 받은 리튬 이온 배터리가 포함되어 있는 모든 수송품. 모든 리튬 이온 배터리에는 팩에 와트시 등급이 표시되어 있습니다.

수송품이 예외로 고려되든지 또는 완전 규제를 받든지 상관없이, 포장, 라벨링/표시 및 문서 요건에 관한 최신 규정을 참고하는 것은 운송 회사의 책임입니다.

배터리를 운반할 때 배터리 단자가 실수로 전도성 물질과 닿을 경우 화재 위험의 가능성이 있습니다. 배터리를 운반할 경우에는 배터리 단자가 보호되어 있고, 물체에 닿을 경우 단락을 일으킬 수 있는 물체로부터 제대로 절연되어 있는지 확인하십시오.

설명서의 본 섹션에서 제공하는 정보는 성실하게 제공되며 문서가 작성될 당시에는 정확한 것으로 간주합니다. 단, 명시적이거나 함축적으로 보증은 제공되지 않습니다. 활동 시 해당 규정을 준수하는 것은 구매자의 책임입니다.

배터리 팩

배터리 유형

DCH363 및 DCH364는 36 V 리튬 이온 배터리 팩에서 작동합니다.

보관 권장 사항

1. 보관 장소로는 직사광선을 받지 않고 지나치게 덥거나 춥지 않은 시원하고 건조한 곳이 가장 좋습니다. 최적의 배터리 성능과 수명을 위해, 사용하지 않을 때에는 배터리 팩을 실온에서 보관하십시오.

참고: 리튬이온 배터리 팩을 보관할 때는 완전히 충전된 상태여야 합니다.

2. 장기간 보관해도 배터리 팩이나 충전기가 훼손되지 않습니다. 적합한 환경에서는 5년 이상 보관할 수 있습니다.

충전기 및 배터리 팩에 부착된 레이블

본 설명서에 사용된 그림 외에도 충전기 및 배터리 팩에 부착된 레이블에는 다음과 같은 그림이 표시되어 있습니다.



사용 전에 사용 설명서의 내용을 숙지하십시오.



충전 시간은 **기술 데이터**를 참조하십시오.



물에 닿지 않도록 하십시오.



전도성 있는 물체로 시험하지 마십시오.



손상된 배터리 팩을 충전하지 마십시오.



손상된 충전기는 사용하지 마십시오.



온도가 4°C ~ 40°C 사이일 때에만 충전하십시오.



손상된 코드는 즉시 교체하십시오.



충전기 문제



배터리 문제



환경 보호 차원에서 배터리 팩을 폐기하십시오.



배터리 팩을 소각하지 마십시오.



지정된 DEWALT 충전기뿐만 DEWALT 배터리 팩을 충전하십시오. DEWALT 충전기에 지정된 DEWALT 배터리 이외의 배터리 팩을 충전하면 폭발하여 다른 위험한 상황으로 이어질 수 있습니다.

포장 내용물

포장에는 다음 내용물이 들어 있습니다.

- 1 충전식 로타리 햄머드릴
- 1 사이드 핸들
- 1 깊이 조절봉
- 1 집진 장치 주둥이
- 1 키가 필요없는 척(DCH364)
- 2 배터리 팩 (D2, M2)
- 1 배터리 팩 (D1, M1)
- 1 충전기
- 1 공구박스
- 1 사용 설명서

참고: 배터리 팩과 충전기는 N 모델에 포함되지 않습니다.

- 운반 중에 발생할 수 있는 공구, 부품 또는 액세서리의 손상 여부를 확인하십시오.
- 작동 전에 시간을 내어 본 사용 설명서를 읽고 숙지하십시오.

설명 (그림 A, A1, D, H)



위험: 전동 공구 또는 전동 공구의 어떤 부품도 절대 개조하지 마십시오. 제품이 파손되거나 신체 부상을 당할 수도 있습니다.

- 1 가변 속도 스위치
- 2 전진/후진 슬라이더
- 3 모드 선택기
- 4 안전 잠금장치
- 5 SDS Plus® 공구 홀더
- 6 잠금 칼라
- 7 먼지막이 커버
- 8 깊이 조절봉
- 9 사이드 핸들
- 10 주 핸들
- 11 배터리 팩
- 12 핸디형 착탈 버튼
- 13 충전기
- 14 충전 표시등(적색)
- 15 공구 홀더/록킹 슬라이브
- 16 키가 필요없는 척

용도

충전식 로타리 햄머드릴은 가벼운 파쇄 작업 뿐 아니라 전문적인 드릴 및 햄머드릴 작업 및 나사 조이기도 사용할 수 있도록 설계되었습니다.

습한 환경이나 가연성 액체 또는 가스가 있는 장소에서 사용하지 마십시오.

본 고성능 로타리 햄머드릴은 전문가용 공구입니다. **어린이가 이 공구를 만지지** 않도록 하십시오. 경험이 없는 작업자가 이 공구를 사용할 때는 감독자의 지도가 필요합니다.

- **어린이 및 노약자.** 본 제품은 어린이나 노약자가 사용하도록 설계되지 않았습니니다. 이러한 사람이 사용할 때는 감독이 필요합니다.
- 본 제품은 안전 책임을 맡고 있는 사람이 감독을 하고 있지 않는 한 경험, 지식 또는 기술이 부족하고 신체적, 감각적 또는 정신적 능력이 미약한 사람(어린이 포함)이 사용하도록 고안된 것이 아닙니다. 이 제품과 함께 어린이만 혼자 두어서는 안됩니다.

집진 장치(그림 A1)

- 17 집진 장치용 전기 핀
- 18 집진 장치(D25302DH)*
- 19 로타리 햄머드릴에 부착된 집진 장치

*집진 장치(D25302DH)는 가까운 공인 DEWALT 판매점에서 추가 비용을 부담해 구입할 수 있습니다.

과부하 클러치

드릴 비트가 걸릴 경우 드릴 스피들로 가는 구동력이 차단됩니다. 이로 인해 발생하는 반발력에 대비해 기기는 항상 양손으로 꼭 잡고 안정된 자세를 취하십시오.

브레이크 기계 장치

변속 스위치에서 손을 떼면, 스피들 회전이 즉시 멈춥니다.

능동 진동 제어 장치

능동 진동 제어 장치는 햄머 기계 장치의 반향 진동을 완화시켜줍니다. 손과 팔의 진동을 줄여서 장시간 더 편안하게 사용할 수 있도록 하고 기기의 수명을 연장해 줍니다. 작동 중일 때에는, 스프링 장착 기계 장치가 진동력을 제한하면 균형을 잡아 줍니다. 이는 공구에 압력이 가해 질 때 완충 효과로 가능할 수 있습니다. 스프링이 작동하되 너무 단단하지 않은지 확인하십시오. 기계 장치가 “떠 있을” 수 있도록 허용해야 합니다.

전기 안전

전기 모터는 한 가지 전압에만 맞추어 설계되었습니다. 배터리 팩 전압이 명판에 기재된 전압과 일치하는지 항상 확인하십시오. 또한 충전기의 전압이 주전원의 전압과도 일치하는지 확인하십시오.



DEWALT 충전기는 IEC 60335에 따라 이중 절연되어 있습니다. 따라서 접지선이 필요하지 않습니다.

전원 코드가 손상된 경우에는 DEWALT 서비스 센터를 통해 특수 제작된 코드로 교체해야만 합니다.

연장 케이블 이용

연장 코드는 가급적 사용하지 마십시오. 사용 중인 충전기 전원 입력에 맞는 승인된 연장 코드를 사용하십시오(기술 자료 참조). 최소 도체 크기는 1 mm², 최대 길이는 30 m입니다.

케이블 릴을 사용할 때는 항상 케이블을 완전히 푸십시오.

조립 및 조정



경고: 조립 및 조정 작업 전에는 항상 배터리 팩을 분리하십시오. 배터리 팩을 끼우거나 분리하기 전에 항상 공구 스위치를 끄십시오.



경고: DeWALT 배터리 팩과 충전기만 사용하십시오.

배터리 팩 설치 및 제거(그림 A)

- 배터리 팩(11)을 끼우려면 배터리를 공구의 배터리 장착부에 맞춥니다. 배터리 팩을 배터리 장착부에 밀어 넣어 제자리에 끼웁니다.
- 배터리 팩을 분리하려면 두 개의 해제 버튼을(12)을 누름과 동시에 배터리 팩을 배터리 장착부 밖으로 뺍니다.

잔량표시 배터리 팩(그림 A)

일부 DeWALT 배터리 팩에는 배터리 팩의 남아 있는 충전 레벨을 표시하는 세 개의 녹색 LED 등으로 구성된 배터리 잔량표시계가 포함되어 있습니다.

연료계를 작동시키려면, 잔량표시계 버튼(21)을 누릅니다. 녹색 LED 표시등 3개가 조합되어 커짐으로써 충전 잔량 수준을 나타냅니다. 배터리 잔량이 사용 가능한 한계치 미만이면 배터리 잔량표시계가 켜지지 않으며 배터리를 재충전해야 합니다.

참고: 배터리 잔량표시계는 배터리 팩에 남아 있는 충전 레벨을 나타내는 것일 뿐입니다. 공구의 기능성을 나타내는 것이 아니며 제품 구성품, 온도 및 최종 사용자의 용도에 따라 변경될 수 있습니다.

작동 모드 선택(그림 C)

다음과 같은 작동 모드에서 공구를 사용할 수 있습니다.



회전 드릴: 강철, 나무 및 플라스틱에서 나사를 조이거나 드릴 작업용



햄머 드릴 작업: 콘크리트 및 석재 드릴 작업 시



햄머 작업만 해당: 가벼운 파쇄 작업용

- 작동 모드를 선택하려면, 안전 잠금 장치(4)를 누르고 모드 선택기 스위치(3)를 필요한 모드의 기호를 가리킬 때까지 돌립니다.
- 안전 잠금 장치를 놓고 모든 선택기 스위치가 제자리에 잠겼는지 확인합니다.



경고: 공구를 작동 중일 때는 작동 모드를 선택하지 마십시오.

SDS Plus® 액세서리 삽입 및 제거(그림 D)

로타리 햄머드릴은 SDS Plus® 액세서리를 사용합니다(SDS Plus® 비트 샹크의 단면도는 그림 D의 삽입도를 참조하십시오).

- SDS Plus®비트 샹크를 닦고 그리스를 바릅니다.
- SDS Plus®비트 샹크를 SDS Plus®공구 홀더(5)에 끼웁니다.
- 비트 아래를 밀어 슬롯에 맞을 때까지 약간 돌립니다.
- 비트를 잡아 당겨 제대로 잠겼는지 확인하십시오. 햄머 기능을 사용하려면 SDS Plus®공구 홀더에 잠겨 있을 때 비트를 축 방향으로 몇 센티미터 이동할 수 있어야 합니다.
- 비트를 제거하려면 SDS Plus®공구 홀더 록킹 슬리브(15)를 약간 뒤로 당겨 뺍니다.

사이드 핸들 장착(그림 E)

사이드 핸들(9)은 오른손 및 왼손 사용자 모두에 맞게 장착할 수 있습니다.



경고: 사이드 핸들을 제대로 조립하지 않은 상태에서 공구를 사용하지 마십시오.

- 사이드 핸들을 폼니다.
- 오른손 사용자의 경우, 사이드 핸들 클램프를 공구 홀더 뒤의 칼라 위로 밀고 왼쪽에서 조종합니다.
- 왼손 사용자의 경우, 사이드 핸들 클램프를 공구 홀더 뒤의 칼라 위로 밀고 오른쪽에서 조종합니다.
- 사이드 핸들을 원하는 위치로 돌리고 핸들을 조입니다.

드릴 깊이 설정(그림 F)

- 필요한 드릴 비트를 삽입합니다.
- 사이드 핸들(9)을 약간 폼니다.

- 깊이 조절봉(8)을 사이드 핸들 클램프의 구멍을 통해 장착합니다.
- 그림과 같이 드릴 깊이 조절합니다.
- 사이드 핸들을 조입니다.

전진/후진 슬라이더(그림 G)

- 전진(RH) 회전을 위해 전진/후진 슬라이더(2)를 왼쪽(LH)으로 밀니다. 공구의 화살표를 참조하십시오.
- 후진(LH) 회전을 위해 전진/후진 슬라이더(2)를 왼쪽(RH)으로 밀니다.



주의: 회전 방향을 바꾸기 전에 항상 모터가 완전히 멈출 때까지 기다리십시오.

SDS Plus® 공구 홀더를 키가 필요없는 척으로 교체하기(그림 H)

DCH364

- 잠금 칼라(6)를 잠금 해제 위치로 돌린 뒤 SDS Plus® 공구 홀더(5)를 당겨 분리합니다.
- 스피들쪽으로 키가 필요없는 척(16)을 누른 뒤 잠금 칼라를 잠긴 위치로 돌립니다.
- 키가 필요없는 척을 SDS Plus® 공구 홀더로 교체하려면 먼저 SDS Plus® 공구 홀더 분리 방법과 동일한 방법으로 키가 필요없는 척을 분리합니다. 그런 다음 SDS Plus® 공구 홀더를 키가 필요없는 척을 교체한 방법과 동일한 방법으로 교체합니다.



주의: 햄머드릴 모드에서는 키가 필요없는 척(16)을 절대로 사용하지 마십시오. 햄머 드릴에는 SDS Plus® 공구 홀더만 사용해야 합니다.

먼지막이 커버 교체(그림 D)

먼지막이 커버(7)는 기계 장치로의 먼지 진입을 막아줍니다. 찢어진 먼지막이 커버는 즉시 교체하십시오.

- SDS Plus® 공구 홀더 록킹 슬리브(15)를 뒤로 당기고 먼지막이 커버(7)를 빼냅니다.
- 새 먼지막이 커버를 장착합니다.
- SDS Plus® 공구 홀더 록킹 슬리브를 놓습니다.

작동법

사용 지침



경고: 심각한 신체 부상의 위험을 줄이려면 공구를 조정하거나 부착물 또는 액세서리를 제거/설치하기 전에 공구를 끄고 배터리 팩을 분리하십시오. 공구가 갑자기 작동하여 부상을 당할 수 있습니다.



경고:

- 안전 지시 사항과 해당 규정을 항상 준수하십시오.
- 파이프 구조 및 배선 위치를 알아 두십시오.
- 공구에 적당한 압력만 가하십시오(약 5kg). 과도한 힘을 가하면 드릴 속도가 올라가지 않고 공구 성능이 감소하고 공구 수명이 단축될 수 있습니다.
- 먼지막이 커버가 손상되지 않도록 하려면 너무 깊게 드릴하거나 작동하지 마십시오.
- 항상 공구를 양손으로 단단히 잡고 안정된 자세를 취하십시오.
- 항상 사이드 핸들을 올바르게 장착한 상태에서 공구를 작동하십시오.
- 절삭 공구가 더 이상 날카롭지 않은 경우, 새 절삭 공구로 교체하십시오.

작동을 하기 전에:

- 배터리 팩이 (완전히) 충전되었는지 확인하십시오.
- 배터리 팩이 제대로 안착되었는지 확인하십시오.

올바른 손의 위치(그림 A, I)



경고: 심각한 신체 부상의 위험을 줄이려면, **항상** 그림과 같이 올바르게 손을 위치하십시오.



경고: 심각한 신체 부상의 위험을 줄이려면, **항상** 급작스러운 반동을 예상하고 확실하게 잡으십시오.

손 위치는 한 손을 기본 핸들(10) 위에 놓고 다른 손을 사이드 핸들(9) 위에 놓는 것이 바람직합니다.

전원 켜기 및 끄기(그림 A)

- 공구를 작동하려면 변속 스위치(1)를 누릅니다. 가변 속도 스위치를 누르는 힘에 따라 공구 속도가 결정됩니다.
- 공구를 멈추려면 스위치를 풀어 줍니다.
- 공구를 꺼짐 위치에 고정하려면 전진/후진 슬라이더(2)를 중앙 위치로 이동합니다.

햄머 드릴 작업(그림 A)

- 모드 선택기 스위치(3)를 “햄머 드릴” 위치로 설정합니다.
- 해당 드릴 비트를 삽입합니다. 최상의 결과를 위해 고품질의 카바이드 팁 장착 비트를 사용하십시오.
- 필요에 따라 사이드 핸들(9)을 조정합니다.
- 필요할 경우, 드릴 깊이를 설정합니다.
- 드릴 작업을 할 구멍의 지점을 표시합니다.
- 드릴 비트를 그 지점에 놓고 공구의 전원 스위치를 켭니다.

회전 드릴 작업(그림 A, H)

- 모드 선택기 스위치(3)를 "회전 드릴" 위치로 설정합니다.
- 공구에 따라 다음 지침 중 하나를 따르십시오.
 - 척 어댑터/척 어셈블리(DCH363)를 장착합니다. 키가 있는 척과 키가 필요 없는 척 및 척 어댑터는 별도로 구입할 수 있습니다. 표준 10 또는 13mm 척에 나사산 부분이 있는 특수 SDS Plus® 어댑터를 사용하면 스트레이트 샹크 비트를 사용할 수 있습니다.
 - SDS Plus® 공구 홀더를 키가 필요없는 척(16)(DCH364)으로 교체합니다.
- 위의 설명에 따라 햄머드릴을 진행합니다.



주의: 햄머드릴 모드에서는 키가 필요없는 척(16)을 절대로 사용하지 마십시오. 햄머 드릴에는 SDS Plus® 공구 홀더만 사용해야 합니다.

나사 조이기(그림 A, H)

- 모드 선택기 스위치(3)를 "회전 드릴" 위치로 설정합니다.
- 회전 방향을 선택합니다.
- 공구에 따라 다음 지침 중 하나를 따르십시오.

- 6각 드라이버 비트와 함께 사용하려면 별도 구입할 수 있는 특수 SDS Plus® 나사 조이기 어댑터를 삽입합니다(DCH363).
- SDS Plus® 공구 홀더(5)를 키가 필요없는 척(16)(DCH364)으로 교체합니다.
- 해당 드라이버 비트를 삽입합니다. 일자형 나사를 돌릴 때는 항상 파인더 슬리브와 함께 비트를 사용합니다.
- 나사 머리가 손상되지 않도록 하려면 가변 속도 스위치(1)를 살짝 누릅니다. 후진(LH) 회전에서는 나사를 쉽게 제거할 수 있도록 공구 속도가 자동 감속됩니다.
- 나사가 제조 공정에 있는 제품을 맞으면 가변 속도 스위치를 놓아서 나사 머리가 제조 공정에 있는 제품을 관통하지 않도록 합니다.

파쇄 작업(그림 A)

DCH363, DCH364

- 모드 선택기 스위치(3)를 “햄머 전용” 위치로 설정합니다.
- 적합한 치줄을 끼우고 제대로 잠겼는지 확인합니다.
- 필요에 따라 사이드 핸들(9)을 조정합니다.
- 공구의 전원 스위치를 켜고 작업을 시작합니다.

파쇄 작업에서 회전 모드로 변경한 뒤에는 기어 정렬을 위해 잠깐 동안 모터를 구동시킬 필요가 있습니다.



경고:

- 쉽게 타거나 폭발성이 있는 액체(벤젠, 알코올 등)를 섞거나 주입하는 데 이 공구를 사용하지 마십시오.
- 따라서 라벨에 표시된 인화성 액체를 혼합하거나 섞지 마십시오.

유지 보수

DeWALT 전동 공구는 최소한의 유지 보수로 장기간에 걸쳐 작업이 가능하도록 설계되어 있습니다. 만족스러운 연속 작동은 적절한 공구 관리와 정기적인 청소에 따라 그 성능이 달라질 수 있습니다.



경고: 심각한 신체 부상의 위험을 줄이려면 공구를 조정하거나 부착물 또는 액세서리를 제거/설치하기 전에 공구를 끄고 배터리 팩을 분리하십시오. 공구가 갑자기 작동하여 부상을 당할 수 있습니다.

충전기 및 배터리 팩은 수리할 수 없습니다.
내부에는 수리할 수 있는 부품이 없습니다.



윤활방법

전동 공구는 별도의 윤활 작업이 필요하지 않습니다.
사용하는 액세서리 및 부착물은 SDS Plus® 장비
주변을 정기적으로 윤활해야 합니다.



청소



경고: 통풍구 속이나 주변에 먼지가 쌓여있는 것이 보이면 가능한 한 자주 건조한 공기를 이용하여 몸체에서 먼지를 불어내십시오. 이 절차를 수행할 때에는 승인된 눈 보호 장구 및 승인된 방진 마스크를 착용하십시오.



경고: 공구의 금속 이외의 부품을 청소할 때는 용제 등의 강력한 화학약품을 절대 사용하지 마십시오. 그렇지 않으면 이러한 부분에 사용된 재료가 약해질 수 있습니다. 헹굼에 물과 순한 비누를 적셔 닦아주십시오. 공구 내부에 액체를 넣거나 공구 부품을 액체에 담그는 행동은 절대 금물입니다.

충전기 청소 지침



경고: 감전 위험. 청소하려면 먼저 충전기를 콘센트에서 분리하십시오. 헹굼이나 부드러운 금속 이외 브러시로 충전기 외관 부분에 묻은 먼지 및 기름을 제거할 수 있습니다. 물이나 세척제를 사용하지 마십시오.

선택 액세서리



경고: DEWALT에서 제공되지 않은 액세서리는 이 제품에 테스트되지 않았으므로, 그러한 액세서리를 이 공구와 함께 사용하면 위험할 수 있습니다. 부상의 위험을 줄이려면, DEWALT에서 권장하는 액세서리만 이 제품에 사용해야 합니다.

다양한 종류의 SDS Plus® 드릴 비트 및 치즐을 옵션으로 사용할 수 있습니다.

해당 액세서리에 대한 자세한 정보는 판매 대리점으로 문의하십시오.

N380096

환경 보호



분리 수거. 본 제품을 일반 가정용 쓰레기로 처리하면 안됩니다.

DEWALT 제품을 교체해야하거나 더 이상 쓸모가 없어졌다고 판단될 때는 본 제품을 가정용 쓰레기와 함께 처리하지 마십시오 이 제품은 분리 수거하십시오.



사용하던 제품과 포장물 분리 수거하면 자원을 재활용 및 재사용할 수 있습니다. 재활용 자원을 이용하면 환경 오염이 방지되고 고철 자원에 대한 수요를 줄일 수 있습니다.

지역에 따라 가정용 가전제품을 분리 수거하는 규정이 마련되어 있거나 새로운 제품을 구입할 때 판매점에서 폐기 방법을 알려줄 수 있습니다.

DEWALT는 사용이 끝난 DEWALT 제품을 수집하여 재활용하기 위한 시설을 운영하고 있습니다 이 서비스를 활용하려면 당사가 폐제품 수거를 위임한 공인 수리 대리점에 제품을 반환해 주십시오.

본 사용 설명서에 기재된 연락처로 가까운 DEWALT 영업소에 연락하면 가까운 공인 수리 대리점 위치를 확인할 수 있습니다. 또는 다음 웹 사이트를 방문하여 DEWALT 수리 지정점 목록과 A/S 및 연락처 등 자세한 정보를 찾아볼 수 있습니다. www.2helpU.com

com



배터리 팩

이전에 쉽게 수행했던 작업에 대해 충분한 힘을 발휘하지 못하는 배터리 팩은 재충전해야 합니다. 배터리 수명이 다하면 환경 보호 차원에서 배터리 팩을 폐기하십시오.

- 배터리 팩을 완전히 사용하고 난 후 공구에서 분리하십시오.
- 리튬이온 셀은 재활용할 수 있습니다. 이 전지를 판매점이나 지역 재활용 센터로 가져가십시오. 수집된 배터리 팩은 재활용되거나 적절히 폐기됩니다.