

DEWALT®

XR®

www.DEWALT.com

DCF900

English (**original instructions**)

3

繁體中文

12

한국어

19

Fig. A

圖 A

그림 A

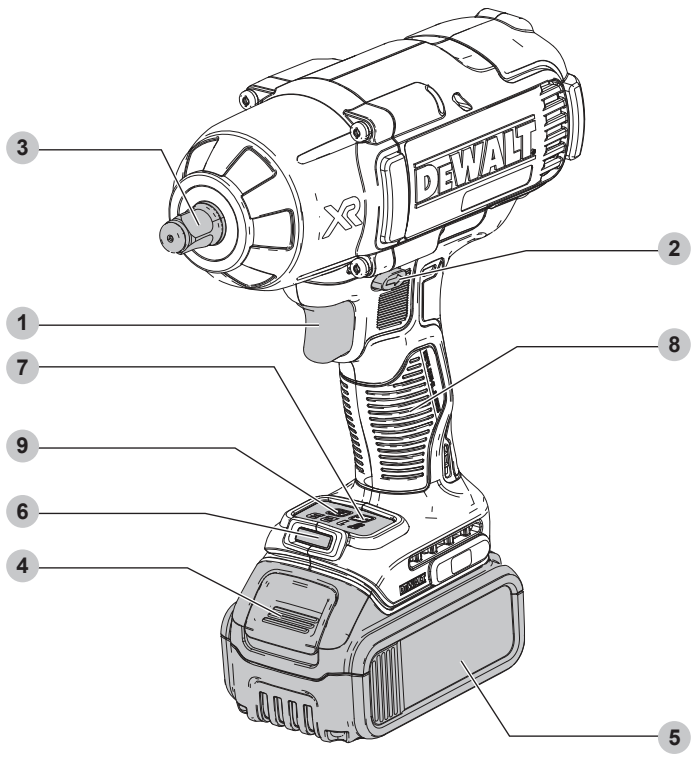


Fig. B

圖 B

그림 B

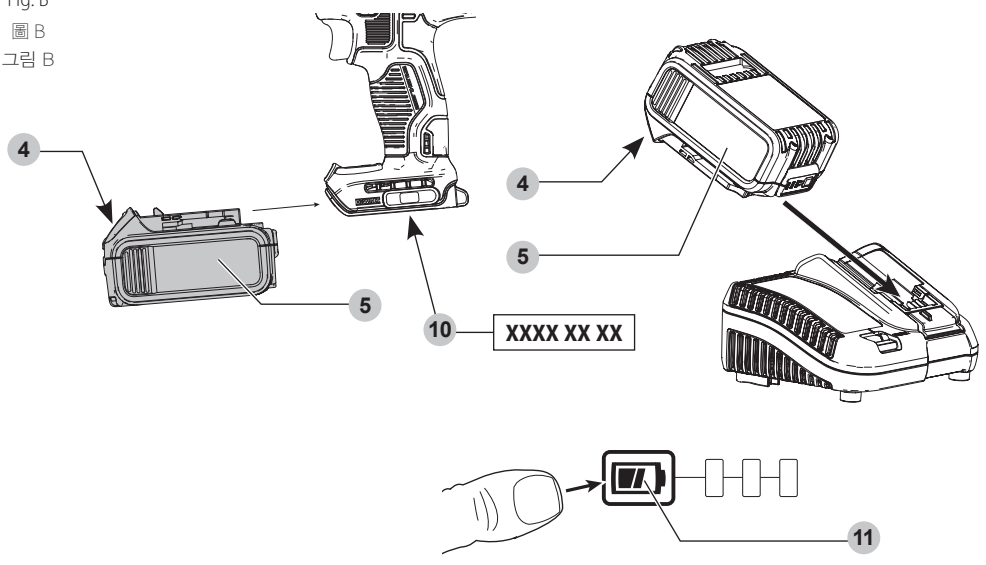


Fig. C

圖 C

그림 C

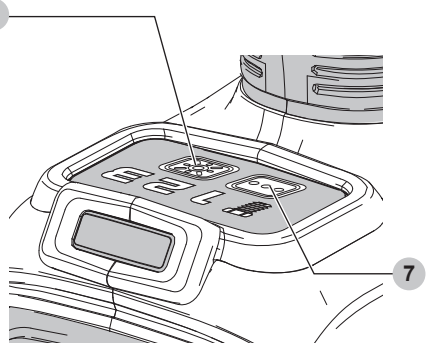


Fig. D

圖 D

그림 D

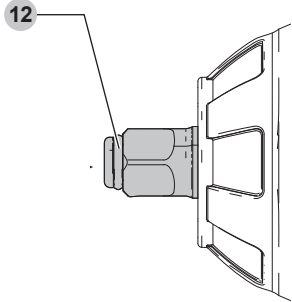
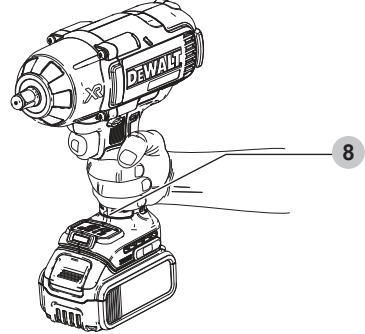


Fig. E

圖 E

그림 E



18V CORDLESS IMPACT WRENCH

DCF900

Congratulations!

You have chosen a DEWALT tool. Years of experience, thorough product development and innovation make DEWALT one of the most reliable partners for professional power tool users.

Technical Data

			DCF900
Voltage	V _{DC}		18 (20 Max)
Battery type			Li-Ion
Power output	W		760
No load speed	min ⁻¹		0–2300
Impact rate	min ⁻¹		0–2200
Max tightening torque			
Precision Wrench™ mode	Nm		1396
Low Mode	Nm		135
Medium mode	Nm		813
High mode	Nm		1396
Max breakaway torque	Nm		1898
Anvil type			Hog Ring
Tool holder	mm		12.7
Weight (without battery pack)	kg		2.9

Batteries				Chargers / Charge Times (Minutes)							
Cat#	V _{DC}	Ah	Weight(kg)	DCB104	DCB107	DCB112	DCB115	DCB117 DCB1112	DCB118	DCB132	
DCB546/DCB606	18/54 (20/60 Max)	6.0/2.0	1.08	60	270	170	90	40	60	90	
DCB547/DCB609	18/54 (20/60 Max)	9.0/3.0	1.46	75*	420	270	135*	60	75*	135*	
DCB548/DCB612	18/54 (20/60 Max)	12.0/4.0	1.46	120	540	350	180	80	120	180	
DCB549/DCB615	18/54 (20/60 Max)	15.0/5.0	2.12	125	730	450	230	90	125	230	
DCB180	18 (20 Max)	3.0	0.62	45	140	90	45	45	45	45	
DCB181	18 (20 Max)	1.5	0.35	22	70	45	22	22	22	22	
DCB182/DCB204	18 (20 Max)	4.0	0.61	60/40**	185	120	60	60/40**	60/40**	60	
DCB183/DCB203	18 (20 Max)	2.0	0.40	30	90	60	30	30	30	30	
DCB184/DCB205	18 (20 Max)	5.0	0.62	75/50**	240	150	75	75/50**	75/50**	75	
DCB185	18 (20 Max)	1.3	0.35	22	60	40	22	22	22	22	
DCB187	18 (20 Max)	3.0	0.54	45	140	90	45	45	45	45	
DCB189/DCB240	18 (20 Max)	4.0	0.54	60	185	120	60	60	60	60	
DCB186	18 (20 Max)	6.0	0.95	60	270	170	90	60	60	90	
DCB208	18 (20 Max)	8.0	0.95	70	360	240	120	70	70	120	
DCBP034	18 (20 Max)	1.7	0.32	27	82	50	27	27	27	27	

*Date code 201811475B or later

**Date code 201536 or later



WARNING: To reduce the risk of injury, read the instruction manual.

Definitions: Safety Guidelines

The definitions below describe the level of severity for each signal word. Please read the manual and pay attention to these symbols.



DANGER: Indicates an imminently hazardous situation which, if not avoided, **will** result in **death or serious injury**.



WARNING: Indicates a potentially hazardous situation which, if not avoided, **could** result in **death or serious injury**.



CAUTION: Indicates a potentially hazardous situation which, if not avoided, **may** result in **minor or moderate injury**.

NOTICE: Indicates a practice **not related to personal injury** which, if not avoided, **may** result in **property damage**.



Denotes risk of electric shock.



Denotes risk of fire.

GENERAL POWER TOOL SAFETY WARNINGS



WARNING: Read all safety warnings, instructions, illustrations and specifications provided with this power tool. Failure to follow all instructions listed below may result in electric shock, fire and/or serious injury.

SAVE ALL WARNINGS AND INSTRUCTIONS FOR FUTURE REFERENCE

The term "power tool" in the warnings refers to your mains-operated (corded) power tool or battery-operated (cordless) power tool.

1) Work Area Safety

- Keep work area clean and well lit.** Cluttered or dark areas invite accidents.
- Do not operate power tools in explosive atmospheres, such as in the presence of flammable liquids, gases or dust.** Power tools create sparks which may ignite the dust or fumes.
- Keep children and bystanders away while operating a power tool.** Distractions can cause you to lose control.

2) Electrical Safety

- Power tool plugs must match the outlet. Never modify the plug in any way. Do not use any adapter plugs with earthed (grounded) power tools.** Unmodified plugs and matching outlets will reduce risk of electric shock.
- Avoid body contact with earthed or grounded surfaces, such as pipes, radiators, ranges and refrigerators.** There is an increased risk of electric shock if your body is earthed or grounded.

- Do not expose power tools to rain or wet conditions.** Water entering a power tool will increase the risk of electric shock.
- Do not abuse the cord. Never use the cord for carrying, pulling or unplugging the power tool. Keep cord away from heat, oil, sharp edges or moving parts.** Damaged or entangled cords increase the risk of electric shock.
- When operating a power tool outdoors, use an extension cord suitable for outdoor use.** Use of a cord suitable for outdoor use reduces the risk of electric shock.
- If operating a power tool in a damp location is unavoidable, use a residual current device (RCD) protected supply.** Use of an RCD reduces the risk of electric shock.

3) Personal Safety

- Stay alert, watch what you are doing and use common sense when operating a power tool. Do not use a power tool while you are tired or under the influence of drugs, alcohol or medication.** A moment of inattention while operating power tools may result in serious personal injury.
- Use personal protective equipment. Always wear eye protection.** Protective equipment such as a dust mask, non-skid safety shoes, hard hat or hearing protection used for appropriate conditions will reduce personal injuries.
- Prevent unintentional starting. Ensure the switch is in the off-position before connecting to power source and/or battery pack, picking up or carrying the tool.** Carrying power tools with your finger on the switch or energising power tools that have the switch on invites accidents.
- Remove any adjusting key or wrench before turning the power tool on.** A wrench or a key left attached to a rotating part of the power tool may result in personal injury.
- Do not overreach. Keep proper footing and balance at all times.** This enables better control of the power tool in unexpected situations.
- Dress properly. Do not wear loose clothing or jewellery. Keep your hair and clothing away from moving parts.** Loose clothes, jewellery or long hair can be caught in moving parts.
- If devices are provided for the connection of dust extraction and collection facilities, ensure these are connected and properly used.** Use of dust collection can reduce dust-related hazards.
- Do not let familiarity gained from frequent use of tools allow you to become complacent and ignore tool safety principles.** A careless action can cause severe injury within a fraction of a second.

4) Power Tool Use and Care

- Do not force the power tool. Use the correct power tool for your application.** The correct power

tool will do the job better and safer at the rate for which it was designed.

- b) **Do not use the power tool if the switch does not turn it on and off.** Any power tool that cannot be controlled with the switch is dangerous and must be repaired.
- c) **Disconnect the plug from the power source and/or remove the battery pack, if detachable, from the power tool before making any adjustments, changing accessories, or storing power tools.** Such preventive safety measures reduce the risk of starting the power tool accidentally.
- d) **Store idle power tools out of the reach of children and do not allow persons unfamiliar with the power tool or these instructions to operate the power tool.** Power tools are dangerous in the hands of untrained users.
- e) **Maintain power tools and accessories. Check for misalignment or binding of moving parts, breakage of parts and any other condition that may affect the power tool's operation. If damaged, have the power tool repaired before use.** Many accidents are caused by poorly maintained power tools.
- f) **Keep cutting tools sharp and clean.** Properly maintained cutting tools with sharp cutting edges are less likely to bind and are easier to control.
- g) **Use the power tool, accessories and tool bits etc. in accordance with these instructions, taking into account the working conditions and the work to be performed.** Use of the power tool for operations different from those intended could result in a hazardous situation.
- h) **Keep handles and grasping surfaces dry, clean and free from oil and grease.** Slippery handles and grasping surfaces do not allow for safe handling and control of the tool in unexpected situations.

5) Battery Tool Use and Care

- a) **Recharge only with the charger specified by the manufacturer.** A charger that is suitable for one type of battery pack may create a risk of fire when used with another battery pack.
- b) **Use power tools only with specifically designated battery packs.** Use of any other battery packs may create a risk of injury and fire.
- c) **When battery pack is not in use, keep it away from other metal objects, like paper clips, coins, keys, nails, screws or other small metal objects, that can make a connection from one terminal to another.** Shorting the battery terminals together may cause burns or a fire.
- d) **Under abusive conditions, liquid may be ejected from the battery; avoid contact. If contact accidentally occurs, flush with water. If liquid contacts eyes, additionally seek medical help.** Liquid ejected from the battery may cause irritation or burns.

- e) **Do not use a battery pack or tool that is damaged or modified.** Damaged or modified batteries may exhibit unpredictable behaviour resulting in fire, explosion or risk of injury.
- f) **Do not expose a battery pack or tool to fire or excessive temperature.** Exposure to fire or temperature above 130 °C may cause explosion.
- g) **Follow all charging instructions and do not charge the battery pack or tool outside the temperature range specified in the instructions.** Charging improperly or at temperatures outside the specified range may damage the battery and increase the risk of fire.

6) Service

- a) **Have your power tool serviced by a qualified repair person using only identical replacement parts.** This will ensure that the safety of the power tool is maintained.
- b) **Never service damaged battery packs.** Service of battery packs should only be performed by the manufacturer or authorized service providers.

Impact Wrench Safety Warnings - All Operations

- **Hold the power tool by insulated gripping surfaces, when performing an operation where the fastener may contact hidden wiring.** Fasteners contacting a "live" wire may make exposed metal parts of the power tool "live" and could give the operator an electric shock.
- **Wear ear protectors during use.** Exposure to noise can cause hearing loss.



WARNING: Impact wrenches are not torque wrenches. DO NOT use this tool for tightening fasteners to specified torques. An independent, calibrated torque measurement device such as a torque wrench should be used when under tightened or over tightened fasteners can lead to the failure of the joint.

Chargers

DeWALT chargers require no adjustment and are designed to be as easy as possible to operate.

Electrical Safety

The electric motor has been designed for one voltage only. Always check that the battery pack voltage corresponds to the voltage on the rating plate. Also make sure that the voltage of your charger corresponds to that of your mains.



Your DeWALT charger is double insulated in accordance with IEC60335; therefore no earth wire is required.

If the supply cord is damaged, it must be replaced only by DeWALT or an authorised service organisation.

Using an Extension Cable

An extension cord should not be used unless absolutely necessary. Use an approved extension cable suitable for

the power input of your charger (see **Technical Data**). The minimum conductor size is 1 mm²; the maximum length is 30 m. When using a cable reel, always unwind the cable completely.

Important Safety Instructions for All Battery Chargers

SAVE THESE INSTRUCTIONS: This manual contains important safety and operating instructions for compatible battery chargers (refer to **Technical Data**).

- Before using charger, read all instructions and cautionary markings on charger, battery pack, and product using battery pack.



WARNING: Shock hazard. Do not allow any liquid to get inside charger. Electric shock may result.



WARNING: We recommend the use of a residual current device with a residual current rating of 30mA or less.



CAUTION: Burn hazard. To reduce the risk of injury, charge only DEWALT rechargeable batteries. Other types of batteries may burst causing personal injury and damage.



CAUTION: Children should be supervised to ensure that they do not play with the appliance.

NOTICE: Under certain conditions, with the charger plugged into the power supply, the exposed charging contacts inside the charger can be shorted by foreign material. Foreign materials of a conductive nature such as, but not limited to, steel wool, aluminum foil or any buildup of metallic particles should be kept away from charger cavities. Always unplug the charger from the power supply when there is no battery pack in the cavity. Unplug charger before attempting to clean.

- **DO NOT attempt to charge the battery pack with any chargers other than the ones in this manual.** The charger and battery pack are specifically designed to work together.
- **These chargers are not intended for any uses other than charging DEWALT rechargeable batteries.** Any other uses may result in risk of fire, electric shock or electrocution.
- **Do not expose charger to rain or snow.**
- **Pull by plug rather than cord when disconnecting charger.** This will reduce risk of damage to electric plug and cord.
- **Make sure that cord is located so that it will not be stepped on, tripped over, or otherwise subjected to damage or stress.**
- **Do not use an extension cord unless it is absolutely necessary.** Use of improper extension cord could result in risk of fire, electric shock, or electrocution.
- **Do not place any object on top of charger or place the charger on a soft surface that might block the ventilation slots and result in excessive internal heat.** Place the charger in a position away from any heat source. The charger is ventilated through slots in the top and the bottom of the housing.
- **Do not operate charger with damaged cord or plug—have them replaced immediately.**
- **Do not operate charger if it has received a sharp blow, been dropped, or otherwise damaged in any way.** Take it to an authorised service centre.

- **Do not disassemble charger; take it to an authorised service centre when service or repair is required.** Incorrect reassembly may result in a risk of electric shock, electrocution or fire.
- In case of damaged power supply cord, the supply cord must be replaced immediately by the manufacturer, its service agent or similar qualified person to prevent any hazard.
- **Disconnect the charger from the outlet before attempting any cleaning. This will reduce the risk of electric shock.** Removing the battery pack will not reduce this risk.
- **NEVER** attempt to connect two chargers together.
- **The charger is designed to operate on standard 230V household electrical power. Do not attempt to use it on any other voltage.** This does not apply to the vehicular charger.

Charging a Battery (Fig. B)

1. Plug the charger into an appropriate outlet before inserting battery pack.
2. Insert the battery pack **5** into the charger, making sure the battery pack is fully seated in the charger. The red (charging) light will blink repeatedly indicating that the charging process has started.
3. The completion of charge will be indicated by the red light remaining ON continuously. The battery pack is fully charged and may be used at this time or left in the charger. To remove the battery pack from the charger, push the battery release button **4** on the battery pack.

NOTE: To ensure maximum performance and life of lithium-ion battery packs, charge the battery pack fully before first use.

Charger Operation

Refer to the indicators below for the charge status of the battery pack.

Charge Indicators

	Charging		
	Fully Charged		
	Hot/Cold Pack Delay*		

*The red light will continue to blink, but a yellow indicator light will be illuminated during this operation. Once the battery pack has reached an appropriate temperature, the yellow light will turn off and the charger will resume the charging procedure.

The compatible charger(s) will not charge a faulty battery pack. The charger will indicate faulty battery by refusing to light.

NOTE: This could also mean a problem with a charger.

If the charger indicates a problem, take the charger and battery pack to be tested at an authorised service centre.

Hot/Cold Pack Delay

When the charger detects a battery pack that is too hot or too cold, it automatically starts a Hot/Cold Pack Delay, suspending charging until the battery pack has reached an appropriate

temperature. The charger then automatically switches to the pack charging mode. This feature ensures maximum battery pack life.

A cold battery pack will charge at a slower rate than a warm battery pack. The battery pack will charge at that slower rate throughout the entire charging cycle and will not return to maximum charge rate even if the battery pack warms.

The DCB118 charger is equipped with an internal fan designed to cool the battery pack. The fan will turn on automatically when the battery pack needs to be cooled. Never operate the charger if the fan does not operate properly or if ventilation slots are blocked. Do not permit foreign objects to enter the interior of the charger.

Electronic Protection System

XR Li-Ion tools are designed with an Electronic Protection System that will protect the battery pack against overloading, overheating or deep discharge.

The tool will automatically turn off if the Electronic Protection System engages. If this occurs, place the lithium-ion battery pack on the charger until it is fully charged.

Wall Mounting

These chargers are designed to be wall mountable or to sit upright on a table or work surface. If wall mounting, locate the charger within reach of an electrical outlet, and away from a corner or other obstructions which may impede air flow. Use the back of the charger as a template for the location of the mounting screws on the wall. Mount the charger securely using drywall screws (purchased separately) at least 25.4 mm long with a screw head diameter of 7–9 mm, screwed into wood to an optimal depth leaving approximately 5.5 mm of the screw exposed. Align the slots on the back of the charger with the exposed screws and fully engage them in the slots.

Charger Cleaning Instructions



WARNING: Shock hazard. Disconnect the charger from the AC outlet before cleaning. Dirt and grease may be removed from the exterior of the charger using a cloth or soft non-metallic brush. Do not use water or any cleaning solutions. Never let any liquid get inside the tool; never immerse any part of the tool into a liquid.

Battery Packs

Important Safety Instructions for All Battery Packs

When ordering replacement battery packs, be sure to include catalogue number and voltage.

The battery pack is not fully charged out of the carton. Before using the battery pack and charger, read the safety instructions below. Then follow charging procedures outlined.

READ ALL INSTRUCTIONS

- **Do not charge or use battery in explosive atmospheres, such as in the presence of flammable liquids, gases or dust.** Inserting or removing the battery from the charger may ignite the dust or fumes.
- **Never force battery pack into charger. Do not modify battery pack in any way to fit into a**

non-compatible charger as battery pack may rupture causing serious personal injury.

- Charge the battery packs only in DeWALT chargers.
- **DO NOT** splash or immerse in water or other liquids.
- **Do not store or use the tool and battery pack in locations where the temperature may fall below 4 °C (39.2 °F) (such as outside sheds or metal buildings in winter), or reach or exceed 40 °C (104 °F) (such as outside sheds or metal buildings in summer).**
- **Do not incinerate the battery pack even if it is severely damaged or is completely worn out.** The battery pack can explode in a fire. Toxic fumes and materials are created when lithium-ion battery packs are burned.
- **If battery contents come into contact with the skin, immediately wash area with mild soap and water.** If battery liquid gets into the eye, rinse water over the open eye for 15 minutes or until irritation ceases. If medical attention is needed, the battery electrolyte is composed of a mixture of liquid organic carbonates and lithium salts.
- **Contents of opened battery cells may cause respiratory irritation.** Provide fresh air. If symptoms persists, seek medical attention.



WARNING: Burn hazard. Battery liquid may be flammable if exposed to spark or flame.



WARNING: Never attempt to open the battery pack for any reason. If battery pack case is cracked or damaged, do not insert into charger. Do not crush, drop or damage battery pack. Do not use a battery pack or charger that has received a sharp blow, been dropped, run over or damaged in any way (i.e., pierced with a nail, hit with a hammer, stepped on). Electric shock or electrocution may result. Damaged battery packs should be returned to service centre for recycling.



WARNING: Fire hazard. Do not store or carry the battery pack so that metal objects can contact exposed battery terminals. For example, do not place the battery pack in aprons, pockets, tool boxes, product kit boxes, drawers, etc., with loose nails, screws, keys, etc.



CAUTION: When not in use, place tool on its side on a stable surface where it will not cause a tripping or falling hazard. Some tools with large battery packs will stand upright on the battery pack but may be easily knocked over.

Transportation



WARNING: Fire hazard. Transporting batteries can possibly cause fire if the battery terminals inadvertently come in contact with conductive materials. When transporting batteries, make sure that the battery terminals are protected and well insulated from materials that could contact them and cause a short circuit.

NOTE: Lithium-ion batteries should not be put in checked baggage.

DeWALT batteries comply with all applicable shipping regulations as prescribed by industry and legal standards which include UN Recommendations on the Transport of Dangerous Goods; International Air Transport Association (IATA) Dangerous Goods Regulations, International Maritime Dangerous Goods

(IMDG) Regulations, and the European Agreement Concerning The International Carriage of Dangerous Goods by Road (ADR). Lithium-ion cells and batteries have been tested to section 38.3 of the UN Recommendations on the Transport of Dangerous Goods Manual of Tests and Criteria.

In most instances, shipping a DEWALT battery pack will be excepted from being classified as a fully regulated Class 9 Hazardous Material. In general, only shipments containing a lithium-ion battery with an energy rating greater than 100 Watt Hours (Wh) will require being shipped as fully regulated Class 9. All lithium-ion batteries have the Watt Hour rating marked on the pack. Furthermore, due to regulation complexities, DEWALT does not recommend air shipping lithium-ion battery packs alone regardless of Watt Hour rating. Shipments of tools with batteries (combo kits) can be air shipped as excepted if the Watt Hour rating of the battery pack is no greater than 100 Wh.

Regardless of whether a shipment is considered excepted or fully regulated, it is the shipper's responsibility to consult the latest regulations for packaging, labeling/marketing and documentation requirements.

The information provided in this section of the manual is provided in good faith and believed to be accurate at the time the document was created. However, no warranty, expressed or implied, is given. It is the buyer's responsibility to ensure that its activities comply with the applicable regulations.

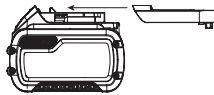
Transporting the FLEXVOLT™ Battery

The DEWALT FLEXVOLT™ battery has two modes: **Use** and **Transport**.

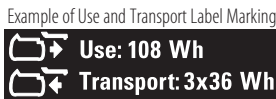
Use Mode: When the FLEXVOLT™ battery stands alone or is in a DEWALT 18V (20V Max) product, it will operate as an 18V (20V Max) battery. When the FLEXVOLT™ battery is in a 54V (60V Max) or a 108V (120V Max) (two 54V (60V Max) batteries) product, it will operate as a 54V (60V Max) battery.

Transport Mode: When the cap is attached to the FLEXVOLT™ battery, the battery is in Transport mode. Keep the cap for shipping.

When in Transport mode, strings of cells are electrically disconnected within the pack resulting in 3 batteries with a lower Watt hour (Wh) rating as compared to 1 battery with a higher Watt hour rating. This increased quantity of 3 batteries with the lower Watt hour rating can exempt the pack from certain shipping regulations that are imposed upon the higher Watt hour batteries.



For example, the Transport Wh rating might indicate 3 x 36 Wh, meaning 3 batteries of 36 Wh each. The Use Wh rating might indicate 108 Wh (1 battery implied).



Storage Recommendations

1. The best storage place is one that is cool and dry away from direct sunlight and excess heat or cold. For optimum

battery performance and life, store battery packs at room temperature when not in use.

2. For long storage, it is recommended to store a fully charged battery pack in a cool, dry place out of the charger for optimal results.

NOTE: Battery packs should not be stored completely depleted of charge. The battery pack will need to be recharged before use.

Labels on Charger and Battery Pack

In addition to the pictographs used in this manual, the labels on the charger and the battery pack may show the following pictographs:



Read instruction manual before use.



See **Technical Data** for charging time.



Do not probe with conductive objects.



Do not charge damaged battery packs.



Do not expose to water.



Have defective cords replaced immediately



Charge only between 4 °C and 40 °C.



Only for indoor use.



Discard the battery pack with due care for the environment.



Charge battery packs only with designated DEWALT chargers. Charging battery packs other than the designated DEWALT batteries with a DEWALT charger may make them burst or lead to other dangerous situations.



Do not incinerate the battery pack.



USE (without transport cap). Example: Wh rating indicates 108 Wh (1 battery with 108 Wh).



TRANSPORT (with built-in transport cap). Example: Wh rating indicates 3 x 36 Wh (3 batteries of 36 Wh).

Battery Type

The following tools operate on an 18 volt (20V Max) battery pack: DCF900

These battery packs may be used: DCB180, DCB181, DCB182, DCB183, DCB184, DCB203, DCB204, DCB205, DCB185, DCB186, DCB187, DCB189, DCB208, DCB240, DCBP034, DCB546, DCB547,

DCB548, DCB549, DCB606, DCB609, DCB612, DCB615. Refer to **Technical Data** for more information.

Package Contents

The package contains:

- 1 Impact wrench
- 1 Charger
- 1 Li-Ion battery pack (C1, D1, E1, H1, L1, M1, P1, S1, T1, X1, Y1 models)
- 2 Li-Ion battery packs (C2, D2, E2, H2, L2, M2, P2, S2, T2, X2, Y2 models)
- 3 Li-Ion battery packs (C3, D3, E3, H3, L3, M3, P3, S3, T3, X3, Y3 models)
- 1 Protective Tool Boot
- 1 Instruction manual
- 1 TSTAK Kitbox with T models

NOTE: Battery packs, chargers and kitboxes are not included with N models. Battery packs and chargers are not included with NT models. B models include Bluetooth® battery packs.

NOTE: The Bluetooth® word mark and logos are registered trademarks owned by the Bluetooth®, SIG, Inc. and any use of such marks by DeWALT is under license. Other trademarks and trade names are those of their respective owners.

- Check for damage to the tool, parts or accessories which may have occurred during transport.
- Take the time to thoroughly read and understand this manual prior to operation.

Markings on Tool

The following pictograms are shown on the tool:



Read instruction manual before use.



Wear ear protection.



Wear eye protection



Visible radiation. Do not stare into light.

Date Code Position (Fig. B)

The date code **10**, which also includes the year of manufacture, is printed into the housing.

Example:

2022 XX XX

Year and Week of Manufacture

Description (Fig. A, B)



WARNING: Never modify the power tool or any part of it. Damage or personal injury could result.

- 1 Trigger switch
- 2 Forward/reverse button
- 3 Anvil
- 4 Battery release button
- 5 Battery pack

- 6 Worklight
- 7 Mode selector
- 8 Main handle
- 9 Worklight switch

Intended Use

This impact wrench is designed for professional impact fastening applications. The impact function makes this tool particularly useful for driving fasteners in wood, metal and concrete.

DO NOT use under wet conditions or in the presence of flammable liquids or gases.

This impact wrench is a professional power tool.

DO NOT let children come into contact with the tool.

Supervision is required when inexperienced operators use this tool.

- **Young children and the infirm.** This appliance is not intended for use by young children or infirm persons without supervision.
- This product is not intended for use by persons (including children) suffering from diminished physical, sensory or mental abilities; lack of experience, knowledge or skills unless they are supervised by a person responsible for their safety. Children should never be left alone with this product.

ASSEMBLY AND ADJUSTMENTS



WARNING: To reduce the risk of serious personal injury, turn tool off and disconnect battery pack before making any adjustments or removing/installing attachments or accessories.

An accidental start-up can cause injury.



WARNING: Use only DEWALT battery packs and chargers.

Inserting and Removing the Battery Pack from the Tool (Fig. B)

NOTE: Make sure your battery pack **5** is fully charged.

To Install the Battery Pack into the Tool Handle

1. Align the battery pack with the rails inside the tool's handle (Fig. B).
2. Slide it into the handle until the battery pack is firmly seated in the tool and ensure that you hear the lock snap into place.

To Remove the Battery Pack from the Tool

1. Press the battery release button **4** and firmly pull the battery pack out of the tool handle.
2. Insert battery pack into the charger as described in the charger section of this manual.

Fuel Gauge Battery Packs (Fig. B)

Some DeWALT battery packs include a fuel gauge which consists of three green LED lights that indicate the level of charge remaining in the battery pack.

To actuate the fuel gauge, press and hold the fuel gauge button **11**. A combination of the three green LED lights will illuminate designating the level of charge left. When the level of

charge in the battery is below the usable limit, the fuel gauge will not illuminate and the battery will need to be recharged.

NOTE: The fuel gauge is only an indication of the charge left on the battery pack. It does not indicate tool functionality and is subject to variation based on product components, temperature and end-user application.

Variable Speed Trigger Switch (Fig. A)

To turn the tool on, squeeze the trigger switch **1**. To turn the tool off, release the trigger switch. Your tool is equipped with a brake. The anvil will stop when the trigger switch is fully released. The variable speed switch enables you to select the best speed for a particular application. The more you squeeze the trigger, the faster the tool will operate. For maximum tool life, use variable speed only for starting holes or fasteners.

NOTE: Continuous use in variable speed range is not recommended. It may damage the switch and should be avoided.

Forward/Reverse Control Button (Fig. A)

A forward/reverse control button **2** determines the direction of the tool and also serves as a lock-off button.

To select forward rotation, release the trigger switch and depress the forward/reverse control button on the right side of the tool.

To select reverse, release the trigger switch and depress the forward/reverse control button on the left side of the tool.

The centre position of the control button locks the tool in the off position. When changing the position of the control button, be sure the trigger is released.

NOTE: The first time the tool is run after changing the direction of rotation, you may hear a click on start up. This is normal and does not indicate a problem.

Worklight (Fig. A, C)

The worklight **6** is activated when the variable speed trigger **1** is depressed. Pressing the worklight switch **9** repeatedly will cycle through low illumination, high illumination, and off.

NOTE: The worklight is for lighting the immediate work surface and is not intended to be used as a flashlight.

Mode Selector (Fig. A, C)

Your tool is equipped with a mode selector **7** which allows you to select one of three speeds or Precision Wrench™ mode. Select the mode based on the maximum speed/torque needed and control the speed of the tool using the variable speed trigger switch **1**.

Precision Wrench™ (Fig. C)

In addition to low speed impacting modes, this tool features the Precision Wrench™ mode which grants the user greater control in both fastening and loosening applications. When set in forward, the tool will fasten at 820 RPM until impact begins. The tool will then pause for 0.75 seconds before continuing to impact at a rate of 2200 IPM, providing the user with greater control and reducing the chance of overtightening or damaging material.

When set in reverse, the tool will impact at a normal speed and rate of 2200 IPM. Upon sensing that the fastener has broken free, the tool will cease to impact and will reduce speed to help prevent "run-off" of loose hardware.

Specifications		
Mode	Application	RPM
Low Mode	Normal Impacting	0–650 forward
		0–2300 reverse
Medium Mode	Medium Impacting	0–1040 forward
		0–2300 reverse
High Mode	High Speed Impacting	0–2300 forward
		0–2300 reverse
Precision Wrench™ Mode	Precision Wrench™	0–820 forward
		0–2300 reverse

Anvil (Fig. A, D)



WARNING: Use only impact accessories. Non-impact accessories may break and cause a hazardous condition. Inspect accessories prior to use to ensure that it contains no cracks.



CAUTION: Inspect anvils and hog rings prior to use. Missing or damaged items should be replaced before use.

Place the switch in the locked off (centre) position or remove battery pack before changing accessories.

To install an accessory on the hog ring anvil, firmly push accessory onto the anvil **3**. The hog ring **12** compresses to allow the accessory to slide on. After accessory is installed, the hog ring applies pressure to help provide accessory retention.

To remove an accessory, grasp the accessory and firmly pull it off.

OPERATION

Instructions for Use



WARNING: Always observe the safety instructions and applicable regulations.



WARNING: To reduce the risk of serious personal injury, turn tool off and disconnect battery pack before making any adjustments or removing/installing attachments or accessories. An accidental start-up can cause injury.

Proper Hand Position (Fig. E)



WARNING: To reduce the risk of serious personal injury, ALWAYS use proper hand position as shown.



WARNING: To reduce the risk of serious personal injury, ALWAYS hold securely in anticipation of a sudden reaction.

Proper hand position requires one hand on the main handle **8**.

Usage (Fig. A)



CAUTION: Ensure fastener and/or system will withstand the level of torque generated by the tool. Excessive torque may cause breakage and possible personal injury.

1. Place the accessory on the fastener head. Keep the tool pointed straight at the fastener.
2. Press variable speed trigger switch **1** to start operation. Release variable speed trigger switch to stop operation. Always check torque with a torque wrench, as the fastening torque is affected by many factors including the following:
 - **Voltage:** Low voltage, due to a nearly discharged battery, will reduce fastening torque.
 - **Accessory size:** Failure to use the correct accessory size will cause a reduction in fastening torque.
 - **Bolt size:** Larger bolt diameters generally require higher fastening torque. Fastening torque will also vary according to length, grade, and torque coefficient.
 - **Bolt:** Ensure that all threads are free of rust and other debris to allow proper fastening torque.
 - **Material:** The type of material and surface finish of the material will affect fastening torque.
 - **Fastening time:** Longer fastening time results in increased fastening torque. Using a longer fastening time than recommended could cause the fasteners to be overstressed, stripped or damaged.

MAINTENANCE

Your power tool has been designed to operate over a long period of time with a minimum of maintenance. Continuous satisfactory operation depends upon proper tool care and regular cleaning.



WARNING: To reduce the risk of serious personal injury, turn tool off and disconnect battery pack before making any adjustments or removing/installing attachments or accessories.

An accidental start-up can cause injury.

The charger and battery pack are not serviceable.



Lubrication

Your power tool requires no additional lubrication.



Cleaning



WARNING: Blow dirt and dust out of the main housing with dry air as often as dirt is seen collecting in and around the air vents. Wear approved eye protection and approved dust mask when performing this procedure.



WARNING: Never use solvents or other harsh chemicals for cleaning the non-metallic parts of the tool. These chemicals may weaken the materials used in these parts. Use a cloth dampened only with water and mild soap. Never let any liquid get inside the tool; never immerse any part of the tool into a liquid.

Optional Accessories



WARNING: Since accessories, other than those offered by DEWALT, have not been tested with this product, use

of such accessories with this tool could be hazardous. To reduce the risk of injury, only DEWALT recommended accessories should be used with this product.

Consult your dealer for further information on the appropriate accessories.

Protecting the Environment



Separate collection. Products and batteries marked with this symbol must not be disposed of with normal household waste.



Products and batteries contain materials that can be recovered or recycled reducing the demand for raw materials. Please recycle electrical products and batteries according to local provisions. Further information is available at www.2helpU.com.

Rechargeable Battery Pack

This long life battery pack must be recharged when it fails to produce sufficient power on jobs which were easily done before. At the end of its technical life, discard it with due care for our environment:

- Run the battery pack down completely, then remove it from the tool.
- Li-Ion cells are recyclable. Take them to your dealer or a local recycling station. The collected battery packs will be recycled or disposed of properly.

After Service and Repair

DEWALT service centers are staffed with trained personnel to provide customers with efficient and reliable product service. We do not take any responsibility when you have repaired in unauthorized service center. You can refer to the leaflet of CONTACT CENTER LOCATOR in product package and contact us through hotline, website or social media to find the nearest DEWALT service center around you.

20V Max 無碳刷衝擊扳手

DCF900

恭喜!

感謝您選購 DeWALT 工具。憑藉多年的經驗、完善的產品開發與創新，DeWALT 已成為專業電動工具使用者最可靠的合作夥伴之一。
請注意!各地區上市產品/配件不盡相同,請依台灣繁體中文說明書的內容為主。

技術資料

		DCF900
標稱	V _{DC}	18 (20 Max)
電池類型		鋰離子
輸出功率	W	760
空載轉速	min ⁻¹	0–2300
衝擊速率	min ⁻¹	0–2200
最大緊固扭矩		
Precision Wrench™ 模式	Nm	1396
低速模式	Nm	135
中速模式	Nm	813
高速模式	Nm	1396
最大拆卸扭矩	Nm	1898
鐵砧類型		C 形環
工具支架	mm	12.7
重量 (不包括電池)	kg	2.9

電池				充電器/充電時間 (分鐘)				
目錄號	伏特直流	安時	重量(kg)	DCB107	DCB112	DCB115	DCB1112	DCB118
DCB606	18/54 (20/60 Max)	6.0/2.0	1.08	270	170	90	40	60
DCB609	18/54 (20/60 Max)	9.0/3.0	1.46	420	270	135*	60	75*
DCB612	18/54 (20/60 Max)	12.0/4.0	1.46	540	350	180	80	120
DCB181	18 (20 Max)	1.5	0.35	70	45	22	22	22
DCB204	18 (20 Max)	4.0	0.61	185	120	60	60/40**	60/40**
DCB203	18 (20 Max)	2.0	0.40	90	60	30	30	30
DCB205	18 (20 Max)	5.0	0.62	240	150	75	75/50**	75/50**
DCB185	18 (20 Max)	1.3	0.35	60	40	22	22	22
DCB187	18 (20 Max)	3.0	0.54	140	90	45	45	45
DCB240	18 (20 Max)	4.0	0.54	185	120	60	60	60
DCBP034	18 (20 Max)	1.7	0.32	82	50	27	27	27

20V Max 為最大初始電壓 (無負載電壓), 標稱電壓為 18V。60V Max 為最大初始電壓 (無負載電壓), 標稱電壓為 54V。



警告: 為了降低受傷的風險, 必須仔細閱讀使用手冊。

定義: 安全指南

定義描述了每一個詞彙的嚴重程度。請閱讀本手冊並注意這些符號。



危險: 表示緊急危險狀況, 若未能避免, 將導致死亡或嚴重傷害。



警告: 表示潛在危險情況, 若未能避免, 可能導致死或嚴重傷害。



小心: 表示潛在危險情況, 若未能避免, 可能導致輕微或中度傷害。

注意: 表示一種非人身傷害的行為, 若未能避免, 可能導致財產損失。



表示觸電危險。



表示火災危險。

電動工具一般安全警告



警告：請閱讀本電動工具隨附的所有安全警告、指示、圖示和規格。不遵循下列的所有指示可能會導致觸電、火災及/或嚴重傷害。

請妥善保存所有警告及指示 以備將來查閱

警告中的名詞「電動工具」是指電源驅動(插電)電動工具,或者電池驅動(充電)電動工具。

1) 工作場地安全

- 請保持工作場地清潔明亮。混亂或昏暗的場地會引發事故。
- 請勿在易爆環境,如有易燃液體、氣體或粉塵的環境中操作電動工具。電動工具產生的火花會點燃粉塵或氣體。
- 請等待兒童和旁觀者離開之後才操縱電動工具。分心會導致您失去控制。

2) 電氣安全

- 電動工具插頭必須與插座相符。不得以任何方式改裝插頭。需接地的電動工具不能使用任何配接器插頭。未經改裝的插頭和相符的插座可以減少觸電危險。
- 避免人體接觸接地表面,如管道、散熱片、爐灶和冰箱。若您的身體接地,會增加觸電危險。
- 請勿將電動工具暴露在雨中或潮濕環境中。
- 請勿濫用電線。請勿使用電線來搬運、拉動電動工具或拔出插頭。請讓電線遠離熱、油、銳邊和轉動部件。受損或纏繞的電線會增加觸電危險。
- 若要在戶外使用電動工具,請使用適合戶外環境的延長電線。適合戶外環境的電線將降低觸電危險。
- 若必須在潮濕場合使用電動工具,請使用漏電保護器(RCD)。使用RCD可降低觸電危險。

3) 人身安全

- 保持警覺;在操作電動工具時,請集中精力並按照一般的程式執行。請勿在疲倦或受到藥品、酒精或治療影響時使用電動工具。操作電動工具時,注意力分散會導致嚴重的人身傷害。
- 請使用個人防護裝置。請始終佩戴護目裝置。防護裝置,例如在適當條件下使用的防塵面具、防滑安全鞋、安全帽或聽力保護等裝置可減少人身傷害。
- 防止意外啟動。連接電源及/或電池組、舉抬或搬運電動工具之前,請確定開關處於關閉位置。若搬運電動工具時將手指搭在開關上,或者在電動工具開關開啟的狀態下接通電源,這兩種行為都會引發事故。
- 啟動電動工具之前,請卸下所有的調整鑰匙或扳手。遺留在電動工具轉動部件上的扳手或鑰匙會導致人身傷害。
- 請勿過度伸展雙手。時刻注意腳下與身體的平衡。如此即可在發生意外的情況下更好地控制電動工具。
- 適當穿著。請勿穿寬鬆衣服或佩戴飾品。請讓頭髮、衣服和手套遠離轉動部件。寬鬆衣服、佩飾和長髮可能會捲入轉動部件。
- 若配備用於連接除塵和集塵設備的裝置,請務必正確連接和使用這些裝置。使用集塵設備可減少與粉塵有關的危險。

- 請勿因頻繁使用工具,對其十分熟悉,讓你變得自滿而忽略工具的安全原則。粗心操作可以在片刻間造成嚴重傷害。

4) 電動工具的使用與注意事項

- 請勿超負荷使用電動工具。請根據不同應用需求選用合適的電動工具。若使用的電動工具正確無誤,該工具能以設計額定值更有效、更安全地執行工作。
- 若開關不能開啟或關閉電源,請勿使用該電動工具。若開關無法控制電動工具,則電動工具存在危險,必須予以維修。
- 在執行任何調整、更換配件或儲存工具之前,必須從電源上拔掉插頭及/或卸下電池組。這類防護性措施可降低電動工具意外啟動的風險。
- 請將閒置的電動工具存放在兒童無法接觸的地方,請勿讓不熟悉電動工具或對這些使用指示不瞭解的人員操作電動工具。電動工具在未經培訓的使用者手中會發生危險。
- 維護電動工具。檢查轉動部件是否存在未對準或卡住、破損的情況以及是否存在影響電動工具運行的其他情況。若有損毀,必須在使用之前修理電動工具。許多事故都是由於電動工具欠缺維護所導致。
- 保持刀具鋒利和清潔。妥善維護的帶利刃的切削工具不會輕易卡住並可更輕鬆控制。
- 使用電動工具、配件和工具刀頭等時,請遵循這些指示使用,且指示須包含工作環境和所要執行工作的注意事項。不按照設計目的使用電動工具會導致危險。
- 手柄和握持面都應保持乾燥、清潔,不油膩。滑膩的手柄和握持面讓您無法在意外情況下安全地操控工具。

5) 電池工具的使用與注意事項

- 僅用製造商指定的充電器為設備充電。將適用於一種電池組類型的充電器為另一種類型的電池組充電,可能會引發風險。
- 請使用原廠的電動工具電池組。若使用任何其他電池組,可能會引發受傷和火災風險。
- 在不用電池組時,請將其遠離能夠接通電池兩極的其他金屬物體,例如回形針、硬幣、鑰匙、釘子、螺釘或其他小型金屬物體。短接電池端子可能會引發燃燒或火災。
- 濫用電池的情況下,液體會從電池中噴出;避免與液體接觸。如果不慎接觸到電池液,請用水沖洗。如果電池液接觸到雙眼,請就醫。從電池中噴射出來的電池液可能會引起發炎或灼傷。
- 請勿使用已經損壞或改動的電池組或工具。損壞或改動的電池可能表現出不可預計的行為,導致火災、爆炸或傷害風險。
- 請勿讓電池組或工具暴露於火中或過高溫度的環境中。暴露於火中或溫度超過130°C的環境中可能導致爆炸。
- 請遵循所有充電說明,請勿在說明中規定的溫度範圍以外的環境對電池組或工具充電。不當或在指定範圍以外的溫度下充電,可能導致電池損壞並增加火災風險。

6) 維修

- 維修本電動工具時,必須由合格的維修人員執行,而且只能使用完全一致的更換件。這樣可確保電動工具的安全。
- 不得維修損毀的電池組。電池組的維修應僅由製造商或授權服務提供商執行。

衝擊扳手安全警告——所有操作

- 若在操作中，切削配件或緊固件會觸及隱藏在牆內的電線，請握住電動工具的絕緣握持面。切削配件碰到帶電導線可能會使電動工具的外露金屬零件帶電，並讓操作人員面臨觸電危險。
- 請在使用時佩戴聽力保護設備。暴露在噪音環境中會損壞聽力。



警告：衝擊扳手並非扭矩扳手。請勿用該工具將緊固件擰到特定扭矩。如果緊固件不夠緊固或緊固過度，可能會讓連接失效。此時，需要使用獨立且經過校準的扭矩測量設備，例如扭矩扳手。

充電器

DeWALT 充電器無需調節，專為盡可能輕鬆使用而設計。

電氣安全

電動機只適用一種電壓。請務必檢查電池組電壓是否與銘牌一致，並且確保充電器的電壓與電源電壓一致。



您的 DeWALT 充電器根據 IEC60335 進行了雙重絕緣，因此無需使用接地線。

如果電源線損壞，必須由 DeWALT 或授權的維修機構負責更換。

使用延長電纜

如非絕對必要，否則請勿使用延長電纜。請使用與充電器的輸入功率相匹配的認可延長電纜（請參閱技術資料）。導體的最小橫截面尺寸為 1 mm²，最長為 30 米。

使用電纜捲筒時，每次必須把電纜完全展開。

所有電池充電器之重要安全指示

妥善保存這些安全指示：本手冊包含有關相容電池充電器的重要安全及操作指示（請參閱技術資料）。

在使用充電器之前，請先閱讀所有指示以及充電器、電池組和使用電池組的產品上的警告標記。



警告：觸電危險。請勿讓任何液體進入充電器，這可能會導致觸電。



警告：建議使用漏電流額定值不超過 30 毫安的漏電流保護裝置。



小心：燒傷危險。為降低人身傷害的風險，只可使用 DeWALT 充電電池。其他非原廠電池可能會爆裂，導致人身傷害和損害。



小心：應看管好兒童，確保他們不會將此設備當做玩具來玩。

注意：在某些情況下，當充電器的插頭插入電源插座時，充電器內部裸露的充電接觸點可能因為異物而短路。請勿讓能導電的異物靠近充電器腔，這些異物包括但不限於鋼棉、鋁箔或任何金屬顆粒的堆積物。在電池腔內沒有電池時，務必切斷充電器的電源。請先拔掉電源插頭後再清潔充電器。

- 請勿嘗試使用本手冊未提到的充電器替電池組充電。充電器與電池組專為搭配使用而特別設計。
- 除了為 DeWALT 可充電電池充電之外，這些充電器不可以用於其他用途。若將其用作其他用途，可能會造成火災、觸電或電擊致死風險。
- 請勿將充電器暴露在雨、雪之中。

- 中斷充電器的電源時，請拔除插頭而非拉扯電線。這樣會降低電源插頭及電線損壞的風險。
- 請確保電線的位置不會遭踐踏、令人絆倒，或引起其他方式的損壞或受壓。
- 除非必要，否則請勿使用延長線。使用不適當的延長電線會引起火災、觸電或觸電致死。
- 請勿將任何物件放在充電器上面，或是把充電器放在可能會堵住通風槽的柔軟表面，導致充電器的內部過熱。請將充電器置於遠離任何熱源的地方。充電器通過頂部的通風槽和外殼的底部進行通風散熱。
- 請勿使用電線或插頭損壞的充電器——請立即予以更換。
- 如果充電器受到重擊、墜落或出現其他損壞情況，請勿使用充電器。並拿到授權維修中心修理。
- 請勿自行拆卸充電器。需要維護或修理時，請拿到授權維修中心。不當的重新組裝可能會導致觸電、電擊致死或火災。
- 若電源線損壞，必須由製造商、服務代理或類似合格人員立即更換以避免發生危險。
- 在進行任何清潔前，先將充電器從插座上拔下。這會降低觸電風險。取出電池組不會降低該風險。
- 不得試圖將兩個充電器連接在一起。
- 該充電器被設計在標準的 110 伏特家用電源上工作。請勿試圖在任何其他電壓環境中使用該充電器。這一點不適用於車載充電器。

為電池充電（圖 B）







1. 將充電器插入適當的插座中，然後再插入電池組。
2. 將電池組插入充電器 5，確保電池組在其中安裝到位。紅燈（充電中）會重複閃爍，這表示充電程序已經開始。
3. 紅燈常亮，表示充電完成。此時，電池組的電力全滿，可以立即使用或是留在充電器裡。若要從充電器中取出電池組，4 請按下電池組上的電池釋放按鈕。

注意：為了確保鋰電池組的效能及使用壽命最大化，在第一次使用電池組之前必須完全充電。

充電器操作

如需瞭解電池組的充電狀態，請參閱以下指示燈。

充電指示燈

 充電中	— — — —	
 電量已充滿	—————	
 電池組熱/冷延遲*	— — — — — —	

*紅燈會繼續閃爍，但在執行此操作期間黃色指示燈將亮起。電池組達到適當溫度後，黃色指示燈將熄滅，充電器將恢復充電程序。此兼容充電器不能為故障的電池組充電。充電器會透過不亮燈來表示電池組故障。

注意：亦有可能是充電器發生故障。

如果充電器指出故障，請將充電器和電池組拿到授權維修中心進行測試。

熱/冷電池組延遲

當充電器檢測到電池組過熱或過冷，就會自動開啟熱/冷電池組延遲，暫停充電，直到電池組恢復到適當溫度為止。然後，充電器將自動切換到電池組充電模式。該特色功能可以最大程度地延長電池組的使用壽命。

冷電池組的充電速度大約是暖電池組的一半。在整個充電週期，電池組會以較慢的充電速度進行充電，即使電池組變暖，充電速度亦不會恢復至最大充電速度。

DCB118 充電器配備了一個內置風扇，可冷卻電池組。該風扇會在電池組需要冷卻時啟動開啟。如果風扇運轉異常或通風槽被堵塞，不得使用充電器。請勿讓異物進入充電器內部。

電子保護系統

XR 鋰離子工具的設計具有電子保護系統，可保護電池組，避免過載、過熱或深度放電。

如果電子保護系統介入，則該工具將自動關閉。如果出現此情況，請將鋰電池組放進充電器直到電力全滿。

牆面安裝

這些充電器被設計可以安裝在牆面上，或可以直立於桌面或作業表面。若要安裝於牆面，請將充電器置於能夠接觸到電源插座的範圍內，同時要遠離牆角或能阻擋氣流的其他障礙。將充電器的背面作為在牆面上螺釘安裝位置的模板。使用至少 25.4 毫米長、螺釘帽直徑至少 7.9 毫米的石膏板螺釘（單獨購買）牢牢固定充電器，將螺釘最大限度釘入木材，預留約 5.5 毫米露在牆外。將露出的螺釘與充電器背面的槽對齊，並完全接合到槽中。

充電器清潔說明



警告：觸電危險。在清潔之前，請將充電器的插頭從 AC 電源插座上拔掉。使用軟布或非金屬軟刷，去除充電器外部的污垢和油脂。請勿使用水或任何清潔劑。不得讓任何液體滲入工具，不得讓工具的任何部件浸在液體中。

電池組

面向所有電池組的重要安全說明

購買更換電池組時，務必附上目錄號和電壓資料。

電池組的電量在出廠時並非充滿。在使用電池組和充電器之前，請先閱讀以下安全指示，並遵循所列的充電程序。

請閱讀所有說明

- 請勿在易爆環境，如有易燃液體、氣體或粉塵的環境中進行充電或使用電池。將電池組放進充電器或拆除電池可能會點燃粉塵或氣體。
- 不得強行將電池放進充電器。請勿以任何方式改裝電池組並將電池組插入不相容的充電器，這種操作可能會導致電池組破裂，造成嚴重的人身傷害。
- 請僅使用指定的 DEWALT 充電器為電池組充電。
- 請勿將水分或其他液體飛濺到電池組或將電池組浸沒。
- 請勿在溫度可能低於 4 °C (39.2 °F) (如冬天戶外的棚子或金屬建築物中)，或在溫度可能達到或超過 40 °C (104 °F) 的地方 (如夏天戶外的棚子或金屬建築物中) 存放或使用工具和電池組。
- 即使電池組嚴重受損或電量完全用壞，也請勿將其焚燒。電池組在火中可能會爆炸。燃燒鋰電池組時會產生有毒氣體和物料。

- 如果電池內容物接觸到皮膚，請立即用溫和的肥皂和清水沖洗。若電池液體進入眼睛，請睜開眼睛，用清水沖洗 15 分鐘或直到不適感消失為止。如果需要立即就醫，請知悉，電池的電解液由液體有機碳酸鹽和鋰鹽混合而成。
- 被打開的電池的內容物可能刺激呼吸道。提供新鮮空氣。如果症狀持續，請尋求醫療協助。



警告：燒傷危險。電池液如果接觸到火花或火焰可能會燃燒。



警告：不得以任何理由嘗試拆開電池組。如果電池組的外殼破裂或損壞，請勿放進充電器。請勿撞擊、摔落或損壞電池組。請勿使用受到重擊、墜落或出現其他損壞情況的電池組或充電器 (例如釘子刺穿、以鎚子敲打或踩踏)。否則可能會引起觸電或電擊致死。損壞的電池組應該送回維修中心進行回收。



警告：火災危險。請勿在儲存或搬運電池組時讓金屬物件接觸暴露的電池兩極。例如，請勿將電池組放在圍裙、口袋、工具箱、產品套件盒、抽屜等可能與散釘、螺釘、鑰匙等物件接觸的地方。



小心：不使用工具時，請將工具放在穩定的表面上，以免導致絆倒或墜落等危險。一些具有大型電池組的工具可以直立但可能會輕易被撞倒。

運輸



警告：火災危險。電池運輸途中，若兩極意外接觸導電材料，可能會引發火災。運輸電池時，確保電池兩極受到保護並與可能接觸兩極並導致短路的材料隔絕。注意：鋰電池不應放在託運行李中。

DEWALT 電池符合所有適用的行業和法律標準規定的運輸規範，包括《聯合國危險品運輸建議規章範本》(UN Recommendations on the Transport of Dangerous Goods)、《國際航空運輸協會 (IATA) 危險品規則》(International Air Transport Association (IATA) Dangerous Goods Regulations)、《國際海運危險品 (IMDG) 規則》(International Maritime Dangerous Goods (IMDG) Regulations) 和《歐洲危險貨物國際公路運輸協定》(European Agreement Concerning The International Carriage of Dangerous Goods by Road) (ADR)。鋰電池和電池組已遵循《聯合國危險品運輸建議規章範本手冊》第 38.3 節關於測試和標準的說明通過測試。

大多數情況下，發運 DEWALT 電池組不屬於完全管制的 9 類危險品。一般只有在運輸中包含額定能量大於 100 瓦時 (Wh) 的鋰電池時，才會將其分歸為完全管制的第 9 類危險品。所有鋰電池外殼上均標註有瓦時等級。此外，由於規章的複雜性，DEWALT 不建議對鋰電池組單獨採用空運，不論其額定能量是多少瓦時，都是如此。若電池組的額定能量不超過 100 瓦時，可以同時空運工具與電池組 (組合套件)。無論運輸是否納入完全管制範圍內，運輸方均有責任諮詢瞭解針對包裝、標籤/標記及單據要求的最新規定。

手冊本節資訊基於良好商譽原則提供，在編製文件時被視為準確無誤，但不提供任何明示或暗示的保證。買方負有確保其行為遵守適用法規的責任。

運輸 FLEXVOLT™ 電池

DEWALT FLEXVOLT™ 電池有兩種模式：使用與運輸。

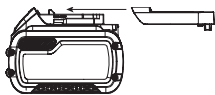
使用模式：若 FLEXVOLT™ 電池單獨使用或在 DEWALT 18 伏特 (最大 20 伏特) 產品中使用時，將作為 18 伏特 (最大 20 伏特) 的電池運作。若 FLEXVOLT™ 電池用於 54 伏特 (最大 60 伏特) 或 108 伏特 (最大

120 伏特) (兩個 54 伏特 (最大 60 伏特) 電池) 的產品時, 將作為 54 伏特 (最大 60 伏特) 的電池運行。

運輸模式: 將護蓋連接至 FLEXVOLT™ 電池時, 電池將處於運輸模式。在運輸時, 請將保護蓋留在電池上。

在運輸模式下, 若將電池組內的一連串電池中斷電氣連接, 會導致 3 個電池各自的瓦時 (Wh) 額定值低於 1 個電池組的瓦時額定值。這樣電池數量雖然增加到 3 個, 但瓦時額定值更低, 因此能避開針對較高瓦時電池的運輸規章。

例如, 若運輸瓦時額定值為 3 x 36 瓦時, 表示運輸 3 個電池, 每個電池的額定值為 36 瓦時。使用瓦時額定值可能為 108 瓦時 (表示 1 個電池)。



使用與運輸標籤標記的示例



存放建議

1. 最好將電池存放在陰涼、乾燥、遠離陽光直射、不會過熱或過冷的地方。為了獲得最佳的電池性能和使用壽命, 請您在不使用電池組時將其存放在室溫下。
2. 長期存放時, 建議將完全充電的電池組從充電器取出, 存儲在陰涼、乾燥的地方, 以達到最佳效果。

注意: 電池組不應在電池已完全耗盡的狀態下存放。使用電池組之前, 必須重新為電池組充電。

充電器和電池組上的標籤

除了本手冊的圖示之外, 充電器及電池組上的標籤包含以下圖示:



使用前請閱讀使用手冊。



充電時間請見**技術資料**。



切勿插入導體。



切勿為損毀的電池組充電。



切勿暴露在水中。



立即更換損壞的電線。



只在溫度介於 4°C 至 40°C 之間充電。



僅供室內使用。



棄置電池組時, 請妥善處理以保護我們的環境。

LI-ION



只使用指定的 DeWALT 充電器為 DeWALT 電池組充電。使用 DeWALT 充電器對指定的 DeWALT 電池以外的電池組充電會爆裂或導致其他危險情形。



切勿焚化電池組。



使用 (無電池蓋)。示例: 瓦時額定值為 108 瓦時 (1 個 108 瓦時的電池)。



運輸 (有內置電池蓋)。示例: 瓦時額定值為 3 x 36 瓦時 (3 個 36 瓦時的電池)。

電池類型

以下工具需要使用 18 伏特 (最大 20 伏特) 的電池: DCB900

可以使用以下電池組: DCB181, DCB203, DCB204, DCB205, DCB240, DCBP034, DCB606, DCB609, DCB612。如需瞭解更多資訊, 請參閱**技術資料**。

包裝內的物品

包裝內的物品包括:

- 1 衝擊扳手
- 1 充電器
- 1 鋰電池組 (C1, D1, E1, H1, L1, M1, P1, S1, T1, X1, Y1 型號)
- 2 鋰電池組 (C2, D2, E2, H2, L2, M2, P2, S2, T2, X2, Y2 型號)
- 3 鋰電池組 (C3, D3, E3, H3, L3, M3, P3, S3, T3, X3, Y3 型號)
- 1 防護工具套
- 1 說明手冊
- 1 TSTAK 工具箱 (T 型號隨附)

注意: 電池組、充電器和工具箱沒有隨 N 型號附送。電池組和充電器沒有隨 NT 型號附送。B 型號包括 Bluetooth® 電池組。

注意: Bluetooth® 標誌和徽標是註冊商標, 歸 Bluetooth®, SIG, Inc. 所有, 而且 DeWALT 對該標誌的任何使用均獲得許可。其他商標和商品名稱歸其各自所有者所有

- 檢查工具、部件或配件有否在運送途中損壞。
- 操作前, 請抽空仔細閱讀並理解本手冊的內容。

工具上的標記

工具上印有下列圖形:



使用前請閱讀使用手冊。



請佩戴聽力保護器。



請佩戴護目鏡。



可見光源。請勿直視光源。

日期碼位置 (圖B)

日期碼, **10** 也包含製造年份, 會被印在外殼上。

示例:

2022 XX XX

製造年份和週

說明(圖A、B)

警告:不得自行改動電動工具或其中的任何部分。這樣可能會導致損壞或人身傷害。

- 1 觸發開關
- 2 正反轉切換按鈕
- 3 鐵砧
- 4 電池釋放按鈕
- 5 電池組
- 6 工作燈
- 7 模式選擇器
- 8 主手柄
- 9 工作燈開關

設計用途

該衝擊扳手適用於專業衝擊緊固應用。衝擊功能使得該工具成為在木材、金屬和混凝土中打入緊固件的理想之選。

請勿在潮濕或存在易燃液體或氣體的環境下使用該工具。

該衝擊扳手是專業電動工具。

請勿讓兒童接觸本工具。缺乏經驗的操作人員需要在監督下使用本工具。

- 兒童和體弱者。在沒有他人監督的情況下，兒童或體弱者不適宜使用本產品。
- 本產品不適合體力、感官或智力不足以及缺乏經驗、知識或技能的人員(包括兒童)使用，除非一旁有能為他們的安全負責的監督人員。不得讓兒童單獨接觸本工具。

組裝與調整

警告:為降低嚴重人身傷害的風險，在進行任何調整或卸下或安裝配件或附件之前，切記關掉工具的電源並取出電池組。意外啟動工具可能會造成傷害。

警告:僅使用 DEWALT 電池組和充電器。

插入或取出工具上的電池組(圖B)

注意:確保電池組 5 的電量已完全充滿。

如需將電池組安裝到工具手柄中

1. 將電池組與工具手柄內的軌道對齊(圖B)。

如需從工具中取出電池組

1. 按下釋放按鈕 4，將電池組從工具手柄中穩妥地拉出。
2. 按本手冊充電器部分所述，將電池組插入充電器中。

電量計電池組(圖B)

一些 DEWALT 電池組帶有一個包含三個綠色 LED 指示燈的電量計，用於指示電池組內的剩餘電量。

若要啟用電量計，請按下並按住電量計按鈕 11。三個綠色 LED 指示燈將以組合方式亮起，以指示剩餘電量。當電池內的電量低於可用限制時，電量計將不會亮起，電池將需要重新充電。

注意:電量計僅指示電池組的剩餘電量。它並不表示該工具的功能，且將根據產品組件、溫度和最終用戶的使用情況而有所不同。

變速觸發開關(圖A)

如需開啟工具，請按下變速觸發開關 1。如需關閉工具，請鬆開觸發開關。您的工具配有一個制動裝置。只要鬆開觸發開關，鐵砧就會停

止。您可以根據具體應用，通過可調速開關選定最佳速度。按壓觸發開關愈用力，工具轉速愈快。為讓工具壽命最大化，僅在開始打洞或剛剛打入緊固件時使用可調速度。

注意:不建議在不同檔次的速度上持續使用本工具。這可能會損壞開關。應避免如此操作。

正反轉切換按鈕(圖A)

正反轉切換按鈕 2 決定了工具的轉動方向，同時也起到鎖止按鈕的作用。

如需選擇正向轉動，請鬆開觸發開關，然後按下位於工具右側的正反轉切換按鈕。

如需選擇反向轉動，請鬆開觸發開關，然後按下位於工具左側的正反轉切換按鈕。

控制按鈕的中央位置會將工具鎖定在關閉位置。在變更控制按鈕位置時，請確保觸發開關處於鬆開狀態。

注意:改變轉動方向後，在首次運行工具時，您會在啟動時聽見咔嚓聲響。這是正常情況，並非出現問題。

工作燈(圖A, C)

當按壓可調速觸發開關 6 時，工作燈 1 會亮起。反復按壓工作燈開關 9，工具將在低亮度、高亮度和熄滅之間循環切換。

注意:工作燈可照亮工件表面附近的區域，但不可被用作手電筒。

模式選擇器(圖A, C)

您的工具配有模式選擇器 7，使您能够在三種速度或 Precision Wrench™ 模式之中選定一種模式。請根據所需的最大速度/扭矩選擇模式，並使用可調速觸發開關 1 控制工具速度。

Precision Wrench™ (圖C)

除了低速衝擊模式，該工具還有 Precision Wrench™ 模式，讓用戶能夠在緊固和鬆開應用中掌控自如。當您將工具設置為正向轉動時，工具會以 820 RPM 進行緊固，直到衝擊開始為止。工具在暫停 0.75 秒後，會繼續以 2200 IPM 的沖擊頻率進行衝擊，這使得用戶能夠更好地掌控操作，同時降低過度擰緊或損壞材料的機率。

當您將工具設置為反向轉動時，工具將以普通速度和 2200 IPM 進行衝擊。當探測到緊固件鬆動時，工具將停止衝擊並降速，防止鬆動的硬件“脫落”。

		規格
模式	應用	RPM
低速模式	常速衝擊	0-650 正向
		0-2300 反向
中速模式	中速衝擊	0-1040 正向
		0-2300 反向
高速模式	高速衝擊	0-2300 正向
		0-2300 反向
Precision Wrench™ 模式	Precision Wrench™	0-820 正向
		0-2300 反向

鐵砧(圖A, D)

警告:僅使用衝擊配件。非衝擊配件可能會破損，引發危險。請在使用前先檢查配件情況，確保配件沒有裂紋。

小心:請在使用前先檢查鐵砧和弓形環。應在使用前更換缺失或受損的物件。

先將開關置於鎖定(中央)位置,或取出電池組,再更換配件。

如需在弓形環鐵砧上安裝配件,請用力將配件推到鐵砧上 ③。弓形環 ⑫ 受到擠壓,便可將配件安裝上。安裝好配件後,弓形環會施加壓力,將配件固定。

如需拆除配件,請握緊配件並用力將其拉下。

操作

使用說明



警告: 務必遵守安全指示和適用的規則。



警告: 為了降低造成嚴重人身傷害的風險,在進行任何調整,卸下或安裝配件或附件之前,切記關掉工具的電源並取出電池組。意外啟動工具可能會造成傷害。

正確的雙手放置位置 (圖E)



警告: 為降低嚴重人身傷害的風險,請務必如圖所示,正確放置雙手。



警告: 為降低嚴重人身傷害的風險,在預期有突然反作用力時,請務必握緊工具。

正確放置雙手要求您一手握住主手柄 ⑧。

使用(圖A)



小心: 確保緊固件和/或系統能夠抵禦工具產生的扭矩水準。扭矩過大可能會導致破裂,還可能造成人身傷害。

- 將配件放在緊固件頭部。請讓工具指向緊固件。
- 按下可調速觸發開關 ④,啟動工具。鬆開可調速觸發開關,讓工具停止運轉。務必用扭矩扳手檢查扭矩,因為緊固件的扭矩會受到多種因素的影響,包括:

- 電壓:** 由於電池電量幾乎耗盡,導致低電壓,這會降低緊固扭矩。
- 配件尺寸:** 未能使用恰當大小的配件,這會降低緊固扭矩。
- 螺栓尺寸:** 較大的螺母半徑一般要求更高的緊固扭矩。緊固扭矩還會根據長度、等級和扭矩係數而改變。
- 螺栓:** 請確保所有螺紋均無鏽蝕和其他碎屑,以便獲得適當的緊固扭矩。
- 材料:** 材料類型與材料表面光潔度會影響緊固扭矩。
- 緊固時間:** 緊固時間越長,緊固扭矩越大。如果緊固時間超出建議時間,會讓緊固件過度承壓,滑絲或受損。

維護

工具採用卓越的設計,能夠長時間使用,並且只需最少的維護。若要持續獲得滿意的操作效果,需進行正確的工具維護和定期的清潔。



警告: 為降低嚴重人身傷害的風險,在進行任何調整或卸下或安裝配件或附件之前,切記關掉工具的電源並取出電池組。意外啟動工具可能會造成傷害。

充電器和電池組不可維修。



潤滑

本電動工具毋需額外潤滑。



清潔



警告: 一旦通風口及其周圍積聚可見的粉塵,請立即使用乾燥的壓縮空氣吹掉主機外殼內的粉塵和灰塵。執行此步驟時,請佩戴經認可的護目裝備和防塵面罩。



警告: 不得使用溶劑或其他刺激性化學製品來清潔工具的非金屬部件。這些化學品可能會削弱這些部位使用的材料。請用布蘸溫和的肥皂水擦拭。不得讓任何液體滲入工具,不得讓工具的任何部件浸在液體中。

可選配件



警告: 由於配件(除 DEWALT 提供的配件外)尚未與本產品一同接受測試,所以將這些配件與該工具搭配使用會產生危險。為降低受傷風險,僅可將 DEWALT 推薦的配件與本產品搭配使用。

請諮詢經銷商,了解有關適當配件的更多資訊。

保護環境



分類回收。帶有此標誌的產品和電池必須與一般家庭廢物分開處置。

產品和電池組包含可重複使用或回收的材料,可降低對原材料的需求。請根據當地法規回收電氣產品和電池。更多資訊,請造訪 www.2helpU.com

可充電的電池組

本電池組使用壽命長,當不能提供順利完成工作所需的電力時,必須進行充電。電池技術壽命結束時,請妥善處理以保護環境:

- 耗盡電池組的電力,然後將其從工具上拆下。
- 鋰電池是可回收的。請將它們送往您的經銷商處或當地的回收站。回收的電池組將被妥善循環使用或處理。

售後服務和維修

DEWALT 服務中心均配有訓練有素的工作人員,能為顧客提供高效、可靠的電動工具服務。如果您通過未獲授權的維修中心進行維修,我們不會承擔任何責任。您可參見產品包裝中的“聯繫中心定位器”宣傳單頁,通過熱線電話、網站或社交媒體聯繫我們,找到距離您最近的 DEWALT 服務中心。

進口商: 新加坡商百得電動工具(股)公司台灣分公司

地址: 台北市士林區德行西路33號2樓

電話: 02-28341741

總經銷商: 永安實業股份有限公司

地址: 新北市三重區新北大道二段137號

電話: 02-29994633

충전 하이토크 임팩트 렌치 DCF900

축하합니다!

DeWALT 공구를 선택해 주셔서 감사합니다. DeWALT는 오랜 경험을 토대로 한 제품 개발 및 혁신을 통해 전문 사용자들이 가장 인정하는 기업으로 자리잡아왔습니다.

기술 데이터

			DCF900
전압	V _{DC}		18 (20 Max)
배터리 유형			Li-Ion
전원 출력	W		760
무부하 속도	min ⁻¹		0-2300
분당타격수	min ⁻¹		0-2200
최대 토크 (조임)			
정밀 렌치™ 모드	Nm		1396
저속 (1 단) 임팩팅 모드	Nm		135
중속 (2 단) 임팩팅 모드	Nm		813
고속 (3 단) 임팩팅 모드	Nm		1396
최대 토크 (풀림)	Nm		1898
앤빌 타입			호그링
앤빌 사이즈	mm		12.7
무게 (배터리 팩 제외)	kg		2.9

배터리				충전기 / 충전 시간 (분)							
Cat#	V _{DC}	Ah	Weight(kg)	DCB104	DCB107	DCB112	DCB115	DCB117 DCB1112	DCB118	DCB132	
DCB546/DCB606	18/54 (20/60 Max)	6.0/2.0	1.08	60	270	170	90	40	60	90	
DCB547/DCB609	18/54 (20/60 Max)	9.0/3.0	1.46	75*	420	270	135*	60	75*	135*	
DCB548/DCB612	18/54 (20/60 Max)	12.0/4.0	1.46	120	540	350	180	80	120	180	
DCB549/DCB615	18/54 (20/60 Max)	15.0/5.0	2.12	125	730	450	230	90	125	230	
DCB180	18 (20 Max)	3.0	0.62	45	140	90	45	45	45	45	
DCB181	18 (20 Max)	1.5	0.35	22	70	45	22	22	22	22	
DCB182/DCB204	18 (20 Max)	4.0	0.61	60/40**	185	120	60	60/40**	60/40**	60	
DCB183/DCB203	18 (20 Max)	2.0	0.40	30	90	60	30	30	30	30	
DCB184/DCB205	18 (20 Max)	5.0	0.62	75/50**	240	150	75	75/50**	75/50**	75	
DCB185	18 (20 Max)	1.3	0.35	22	60	40	22	22	22	22	
DCB187	18 (20 Max)	3.0	0.54	45	140	90	45	45	45	45	
DCB189/DCB240	18 (20 Max)	4.0	0.54	60	185	120	60	60	60	60	
DCB186	18 (20 Max)	6.0	0.95	60	270	170	90	60	60	90	
DCB208	18 (20 Max)	8.0	0.95	70	360	240	120	70	70	120	
DCBP034	18 (20 Max)	1.7	0.32	27	82	50	27	27	27	27	

*Date Code 201811475B 이상

**Date Code 201536 or 이상



경고: 부상 위험을 줄이려면 사용 설명서를 읽으십시오.

정의: 안전 지침

다음 정의는 각 경고 문구의 심각도를 설명합니다. 사용 설명서를 읽고 다음 기호들에 유의하십시오.



위험: 심각한 위험 상태를 나타내며, 방지하지 않으면, 사망 또는 심각한 부상을 초래합니다.



경고: 잠재적 위험 상태를 나타내며, 방지하지 않으면, 사망 또는 심각한 부상을 초래할 수 있습니다.



주의: 잠재적으로 위험한 상태를 나타내며, 방지하지 않으면 경미하거나 가벼운 부상을 초래할 수 있습니다.

참고: 신체 부상을 초래하지 않는 행위를 나타내며 방지하지 않으면 재산상의 손해가 발생할 수 있습니다.



감전 위험을 나타냅니다.



화재 위험을 나타냅니다.

전동 공구에 관한 일반 안전 경고



경고: 이 전동 공구와 함께 제공되는 모든 안전 경고와 지시사항, 설명 및 사양을 읽으십시오. 아래 설명한 모든 지시 사항을 따르지 않으면 감전, 화재 및/또는 심각한 부상을 초래할 수 있습니다.

항후 참고할 수 있도록 모든 경고 및 지시 사항을 보관해두십시오

경고에서 사용된 "전동 공구" 라는 용어는 주 공급 전원에 의해 전기가 공급되는 (유선) 전동 공구 또는 충전식(무선) 전동 공구를 의미합니다.

1) 작업장 안전

- a) 작업장을 항상 청결하고 밝게 유지하십시오. 혼잡하거나 어두운 작업장에서는 사고가 발생하기 쉽습니다.
- b) 가연성 액체, 가스 또는 먼지 등이 있는 폭발성 대기에서 전동 공구를 사용하지 마십시오. 전동 공구에서 먼지나 가스를 발화시킬 수 있는 불꽃이 튀 수 있습니다.
- c) 전동 공구로 작업하는 동안에는 어린이와 주변 사람들이 작업 영역에 가까이 들어오지 못하도록 하십시오. 주변이 산만해서 통제력을 잃을 수 있습니다.

2) 전기 안전

- a) 동공구의 플러그는 콘센트와 형식이 일치해야 하며, 플러그를 어떤 형태로든 개조하지 마십시오. 또한 접지된 전동공구에 다른 어댑터 플러그를 사용하지 마십시오. 개조되지 않은 플러그 및 형식이 일치하는 콘센트를 사용하면 감전 위험이 줄어듭니다.
- b) 파이프 관, 라디에이터, 렌지, 냉장고 등의 접지 표면에 물이 닿지 않도록 하십시오. 물에 닿을 경우 감전이 될 위험이 높아집니다.
- c) 전동 공구를 비 또는 습한 환경에 노출하지 않도록 주의하십시오. 전동 공구에 물이 들어가면 감전 위험이 높아집니다.
- d) 코드를 함부로 다루지 마십시오. 코드를 사용하여 전동공구를 운반하거나, 코드를 과도하게 잡아당겨서 플러그를 뽑지 않도록 주의하십시오. 전열코드가 열기 또는 오일과 접촉되는 것을 피하고, 날카로운 모서리 또는 기기의

기동 부위에 닿지 않도록 주의 하십시오. 코드가 손상되거나 얽혀 있으면 감전 위험이 높아집니다.

- e) 전동 공구를 실외에서 사용할 때는 실외 사용에 적합한 연장 코드를 사용하십시오. 실외 사용에 적합한 코드를 사용하면 감전 위험이 줄어듭니다.
- f) 전동공구를 습한 공간에서 사용할 경우, 반드시 누전 차단기를 사용하십시오. 누전 차단기 (RCD) 를 사용하면 감전의 위험이 줄어듭니다. RCD 를 사용하면 감전 위험이 줄어듭니다.

3) 신체 안전 사항

- a) 전동 공구로 작업할 때는 방심하지 말고 작업에 주의하면서 상식에 따르십시오. 피곤한 상태이거나 약물, 술, 치료제를 복용한 상태에서는 전동 공구를 사용하지 마십시오. 전동 공구를 사용하다 잠깐만 한 눈을 팔어도 심각한 부상을 당할 수 있습니다.
- b) 신체 보호 장비를 착용하십시오. 항상 보안경을 착용하십시오. 적절한 상황에서 방진 마스크, 미끄럼 방지 안전화, 안전모 또는 청력 보호 기구 등의 보호 장비를 사용하면 신체 부상 위험이 줄어듭니다.
- c) 의도하지 않은 장비 가동 방지. 전원 및/또는 배터리 팩에 연결한 상태로 공구를 선택 또는 운반할 때는 사전에 스위치가 꺼짐 위치에 있는지 반드시 확인하십시오. 스위치가 켜짐 위치에 있는 상태에서 스위치에 손가락이 닿은 상태로 전동 공구를 운반하거나 전동 공구에 전원을 공급하면 사고가 발생합니다.
- d) 전동 공구를 켜기 전에 모든 조정 키 또는 렌치를 제거하십시오. 전동 공구의 회전 부품에 렌치나 키가 부착되어 있으면 부상을 당할 수 있습니다.
- e) 무리하게 팔을 뻗지 마십시오. 항상 올바른 자세로 서서 균형을 유지하십시오. 안정된 자세로 작업을 할 경우 전동 공구를 안전하게 사용할 수 있습니다.
- f) 적절한 의복을 착용하십시오. 헐렁한 옷이나 장신구를 착용하지 마십시오. 머리카락과 옷이 움직이는 부품에 닿지 않도록 유의하십시오. 헐렁한 옷, 장신구 또는 긴 머리카락이 움직이는 부품에 걸 수 있습니다.
- g) 먼지 배출 및 집진 시설 연결을 위한 장치가 제공된 경우, 이를 장치가 연결되어 적절히 사용되고 있는지 반드시 확인하십시오. 집진 장치를 사용하면 먼지와 관련된 위험을 줄일 수 있습니다.
- h) 장치를 자주 사용함으로써 생긴 익숙함으로 인해 현실에 안주하거나 공구 안전 원칙을 무시하지 않도록 하십시오. 부주의한 작동은 순식간에 심각한 부상을 야기할 수 있습니다.

4) 전동 공구 사용 및 관리

- a) 전동 공구에 무리한 힘을 가하지 마십시오. 해당 용도에 맞는 올바른 전동 공구를 사용하십시오. 올바른 전동 공구를 사용해야 설계된 속도로 작업을 더욱 안전하고 정확하게 수행할 수 있습니다.
- b) 켜지지 않거나 꺼지지 않는 경우 전동 공구를 사용하지 마십시오. 스위치로 제어되지 않는 전동 공구는 위험하므로 수리해야 합니다.
- c) 전동 공구를 조정하거나 액세서리를 변경하거나 보관하기 전에 전동 공구에서 분리되는 경우 전원에서 플러그를 뽑거나 또는 배터리 팩을 분리하십시오. 이러한 예방적

안전 조치를 따라야 전동 공구가 갑자기 작동할 위험이 줄어듭니다.

- d) 사용하지 않는 전동 공구는 어린이의 손이 닿지 않는 곳에 보관하고, 전동 공구나 본 지시 사항에 익숙하지 않은 사람이 전동 공구를 절대 사용하지 못하게 하십시오. 전동 공구는 훈련을 받지 않은 사용자가 다루면 위험합니다.
- e) 전동 공구 및 액세서리의 유지 보수, 움직이는 부품의 잘못된 정렬이나 바인딩, 부품 파손 및 기타 전동 공구의 작동에 영향을 미칠 수 있는 기타 모든 상태를 확인하십시오. 손상된 부분이 있는 경우 사용하기 전에 전동 공구를 수리하십시오. 많은 사고는 전동 공구를 제대로 유지 보수하지 않아 발생합니다.
- f) 공구를 깨끗한 상태로 유지하십시오. 가장자리를 예리하게 잘 유지하면 작업시, 바인딩이 적고 다루기가 용이합니다.
- g) 작업 환경과 수행할 작업을 고려하여, 본 지시 사항에 따라 전동 공구, 액세서리 및 톨 비트 등을 사용하십시오. 본 사용 설명서의 내용과 다른 용도로 전동 공구를 사용하면 위험한 상황이 발생할 수 있습니다.
- h) 핸들과 잡는 표면은 건조하고 깨끗한 상태를 유지하고 오일/기름이 묻지 않도록 하십시오. 미끄러운 핸들과 잡는 면은 예기치 못한 상황에서 안전한 취급과 공구 관리를 보장하지 않습니다.

5) 배터리 공구 사용 및 주의 사항

- a) 다시 충전할 때는 제조업체에서 지정한 충전기만 사용하십시오. 하나의 배터리 팩 유형에 적합한 충전기를 다른 배터리 팩과 함께 사용할 경우 화재의 위험이 있습니다.
- b) 전동 공구를 사용할 때는 구체적으로 지정되어 있는 배터리 팩만 사용하십시오. 다른 배터리 팩을 사용하면 부상을 입거나 화재의 위험이 있습니다.
- c) 배터리를 사용하지 않을 때는 클립, 동전, 키, 못, 나사 등의 금속 물체를, 단자 간에 연결할 수 있는 작은 금속 물체가 닿지 않도록 멀리 두십시오. 배터리 단자가 단락되면 화상을 입거나 화재의 위험이 있습니다.
- d) 배터리를 과다 사용하면 액체가 배터리에서 흘러 나올 수 있으므로, 접촉을 피하십시오. 실수로 접촉한 경우에는 물로 씻으십시오. 액체가 눈에 들어간 경우 치료를 받으십시오. 배터리에서 나온 액체는 통증을 유발하거나 화상을 입힐 수 있습니다.
- e) 손상되거나 변경된 배터리 팩 또는 공구를 사용하지 마십시오. 손상되거나 개조된 배터리는 예측할 수 없는 작용을 보여, 화재, 폭발 또는 부상 위험을 야기할 수 있습니다.
- f) 배터리 팩 또는 공구를 불이나 과도한 온도에 노출하지 마십시오. 불 또는 130 °C 이상의 온도에 노출되면 폭발할 수 있습니다.
- g) 모든 충전 지침을 따르고 배터리 팩 또는 공구를 설명서에 지정된 범위 밖의 온도에서 충전하지 마십시오. 적절하지 않게 충전하거나 지정된 범위 밖의 온도에서 충전하면 배터리가 손상되어 화재 위험이 증가될 수 있습니다.

6) 정비

- a) 자격을 갖춘 기술자가 동일 교체 부품을 사용하여 정비 작업을 수행해야 합니다. 그래야 전동 공구의 안전이 보장됩니다.

- b) 손상된 배터리 팩을 정비하지 마십시오. 배터리 팩은 제조업체 또는 공인 서비스 공급업체를 통해서만 점검을 받아야 합니다.

임팩트 렌치 안전 경고 - 모든 작업

- 패스너가 숨겨진 배선과 접촉할 수 있는 작업을 수행할 때 절연 그림 표명으로 전동 공구를 잠으십시오. 전기가 통하는 전선과 접촉하는 패스너는 전동 공구의 노출 된 금속 부분을 "통전"시켜 작업자가 감전될 수 있습니다.
- 사용 중에는 귀마개를 착용하십시오. 소음에 노출되면 청력이 손상될 수 있습니다.



경고: 이 전동 공구와 함께 제공되는 모든 안전 경고와 지시사항, 설명 및 사양을 읽으십시오. 아래 설명한 모든 지시 사항을 따르지 않으면 감전, 화재 및/또는 심각한 부상을 초래할 수 있습니다.

충전기

DEWALT 충전기는 조정할 필요가 없으며 최대한 쉽게 작동하도록 설계되었습니다.

전기 안전

전기 모터는 한 가지 전압에만 맞추어 설계되었습니다. 배터리 팩 전압이 명판에 기재된 전압과 일치하는지 항상 확인하십시오. 또한 충전기의 전압이 주전원의 전압과도 일치하는지 확인하십시오.



DEWALT 충전기는 IEC60335에 따라 이중 절연되어 있습니다. 따라서 접지선이 필요하지 않습니다.

전원 코드가 손상된 경우 DEWALT 또는 공인 서비스 기관 만 교체해야 합니다.

연장 케이블 이용

연장 코드는 가끔씩 사용하지 마십시오. 사용 중인 전원공급기 정격전원에 맞는 승인된 연장 코드를 사용하십시오 (기술 데이터참조). 최소 도체 크기는 1mm²입니다. 최대 길이는 30m입니다. 케이블 릴을 사용할 때는 항상 케이블을 완전히 푸십시오.

모든 배터리 충전기에 대한 중요한 안전 지침

본 지침을 잘 보관해 두십시오: 본 사용 설명서에는 호환이 되는 배터리 충전기에 대한 중요한 안전 및 작업 지침이 포함되어 있습니다. 기술 데이터 참조.

- 충전기를 사용하기 전에 충전기, 배터리 팩, 그리고 배터리 팩 관련 제품에 대한 지침과 주의 표시를 숙지하십시오



경고: 감전 위험. 충전기 내부에 액체가 들어가지 않도록 하십시오. 감전될 수 있습니다.



경고: 정격 전류 전류가 30MA 미만인 누전 차단기를 사용하는 것이 좋습니다.



주의: 화재 위험. 부상 위험을 줄이려면 DEWALT 충전식 배터리만 충전하십시오. 다른유형의 배터리는 폭발로 인한 신체 부상과 손상을 초래할 수 있습니다.



주의: 어린이가 본 제품을 가지고 놀지 못하도록 항상 주시해야 합니다.

참고: 특정 조건에서, 충전기가 전원 공급기에 연결되어 있으면 충전기 내부에 노출된 충전 접점이 이물질에 의해 단락될 수 있습니다. 철부스레기, 알루미늄 호일, 금속 입자 축적물 등의 전도성 이물질은 충전기 캐비티에 닿지 않게

해야 합니다. 캐비티 안에 배터리 팩이 없을 경우 항상 배터리 전원 공급기에서 충전기의 플러그를 뽑으십시오. 충전기를 청소할 때는 플러그를 뽑아야 합니다.

- 본 사용 설명서에 명시된 충전기 외의 다른 충전기로 배터리 팩을 충전하지 마십시오. 본 충전기와 배터리 팩은 함께 사용하도록 특수 설계되었습니다.
- 이 충전기는 DeWALT 충전식 배터리 충전 이외의 용도로 사용할 수 없습니다. 다른 용도로 사용하면 화재, 감전 또는 감전사고의 위험이 있습니다.
- 충전기가 비나 눈을 맞지 않도록 하십시오.
- 충전기를 분리할 경우 코드가 아니라 플러그를 뽑으십시오. 그래야만 전기 플러그 및 코드 손상의 위험이 줄어듭니다.
- 코드가 밟히거나 걸리거나 기타 원인에 의해 손상되거나 압박을 받지 않도록 유의하십시오.
- 불가피한 경우가 아니면 연장 코드를 사용하지 마십시오. 연장 코드를 잘못 사용하면 화재, 감전 또는 감전사의 위험이 있습니다.
- 충전기 위에 물건을 올려놓거나 부드러운 표면에 충전기를 두면 환기 슬롯이 막혀 내부가 과열될 수 있습니다. 충전기는 열원에 가까이 두지 마십시오. 충전기는 하우징의 상단과 하단에 있는 슬롯을 통해 환기됩니다.
- 코드나 플러그가 손상된 충전기를 작동시키지 마십시오 — 즉시 교체하십시오.
- 심한 충격을 받았거나 떨어뜨렸거나 어떠한 식으로든 손상된 경우에는 충전기를 작동시키지 마십시오. 공인 서비스 센터로 가져가십시오.
- 충전기를 분해하지 마십시오. 서비스나 수리가 필요한 경우에는 공인 서비스 센터로 가져가십시오. 잘못 재조립하면 감전, 감전사 또는 화재의 위험이 있습니다.
- 전원 코드가 손상된 경우 사고 방지를 위해 제조업체, 서비스 대리점 또는 이에 준하는 유자격 수리 기술자를 통해 즉시 교체하십시오.
- 청소하려면 먼저 충전기를 콘센트에서 분리하십시오. 그래야 감전 위험이 줄어듭니다. 배터리 팩을 제거하는 것만으로 이러한 위험이 줄어들지는 않습니다.
- 절대로 충전기 두 개를 함께 연결하지 마십시오.
- 충전기는 표준 230V 가정용 전력에서 작동하도록 설계되었습니다. 다른 전압에서는 사용하지 마십시오. 차량용 충전기는 제외됩니다.

배터리 충전 (그림 B)

1. 배터리 팩을 끼우기 전에 충전기를 적절한 콘센트에 꽂습니다.
2. 배터리 팩을 5 충전기에 삽입하고 배터리 팩이 충전기에 완전히 장착되었는지 확인합니다. 빨간색(충전 중) 표시등이 반복해서 깜박이면서 충전 프로세스가 시작되었음을 알립니다.
3. 충전이 완료되면 빨간색 불이 계속 켜져 있습니다. 배터리 팩이 완전히 충전되면 바로 사용하거나 충전기에 그대로 둡니다. 충전기에서 배터리 팩을 제거하려면 배터리 팩의 배터리 분리 버튼 4를 누릅니다.

참고: 리튬이온 배터리 팩의 성능과 수명을 극대화하려면 처음 사용하기 전에 배터리 팩을 완전히 충전시키십시오.

충전기 작동

배터리 팩의 충전 상태는 아래 표시등을 참조하십시오.

충전 표시등



*빨간색 표시등이 계속 깜박거리지만, 노란색 표시등은 이 작동동안 계속 켜져 있습니다. 배터리 팩이 적정 온도에 도달하면, 노란색 표시등이 꺼지고 충전기에서 충전 절차를 다시 시작합니다.

이 호환 충전기는 결함이 있는 배터리 팩은 충전하지 못합니다. 등이 켜지지 않도록 하여 배터리에 결함이 있음을 표시합니다.

참고: 이는 충전기 고장을 의미할 수도 있습니다.

충전기에 문제가 표시되는 경우 충전기와 배터리 팩을 공인 서비스 센터로 가져 가서 테스트를 받아 보십시오.

냉/은 팩 지연

충전기에서 너무 뜨겁거나 차가운 배터리 팩이 감지되면, 냉/은 팩 지연이 자동으로 시작되어 배터리 팩이 적절한 온도가 될 때까지 충전이 중단됩니다. 이 과정이 끝나면 충전기가 자동으로 팩 충전 모드로 전환됩니다. 이 기능은 배터리 팩 수명을 최대한으로 보장하기 위한 것입니다.

차가운 배터리 팩은 따뜻한 배터리 팩보다 더 느린 속도로 충전됩니다. 충전 사이클 전체에 걸쳐 배터리 팩은 이렇게 느린 속도로 충전되며 배터리 팩이 따뜻해지더라도 최대 충전 속도로 복원되지 않습니다.

DCB118 충전기에는 배터리 팩을 식히기 위해 설계된 내장 팬이 장착되어 있습니다. 배터리 팩을 식혀야 하면 팬이 자동으로 켜집니다. 팬이 제대로 작동하지 않거나 환기구가 막혀 있을 경우 충전기를 작동하지 마십시오. 이물질이 충전기 내부로 들어가지 않도록 하십시오.

전자 보호 시스템

XR 리튬이온 배터리 팩은 배터리에 과부하가 걸리거나 과열 또는 완전 방전되는 것을 방지하는 전자 보호 시스템으로 설계되었습니다. 이 공구는 전자 보호 시스템이 작동하면 자동으로 꺼집니다. 이러한 경우 리튬 이온 배터리가 완전히 충전될 때까지 충전기에 리튬 이온 배터리 팩을 넣으십시오.

벽 장착

이들 충전기는 테이블 또는 작업 표면에 똑바로 세우거나 벽에 장착할 수 있도록 설계되었습니다. 벽에 장착하는 경우, 충전기는 전기 콘센트에 닿을 수 있는 범위 내에 놓고, 공기 흐름이 방해될 수 있는 코너 또는 기타 장애물로부터 멀리 두십시오. 벽에서 장착 나사의 위치는 견본으로 충전기의 뒤쪽을 사용하십시오. 나사 머리 직경이 7-9 mm 인 최소 25.4 mm 길이의 석고보드 나사 (별도 구매) 를 사용해서 충전기를 단단히 장착하고, 노출된 나사의 약 5.5 mm 를 남겨 두고 최적의 길이로 목체에 고정합니다. 충전기 뒤쪽의 구멍을 노출되어 있는 나사에 맞추고 구멍에 완전히 맞물리도록 하십시오.

충전기 청소 지침

⚠ 경고: 감전 위험. 청소하려면 먼저 충전기를 AC 콘센트에서 분리하십시오. 향겁이나 부드러운 비금속성 브러시로 충전기 외관 부분에 묻은 먼지 및 기름을 제거할 수 있습니다. 물이나 세척제를 사용하지 마십시오. 공구

내부에 액체를 넣거나 공구 부품을 액체에 담그는 행동은 절대 금물입니다.

팩이있는 일부 공구는 배터리의 팩 위에 똑바로 세워져 있지만 쉽게 넘어 질 수 있습니다.

배터리 팩

모든 배터리 팩에 대한 중요한 안전 지침

배터리 팩을 교체하기 위해 주운할 때는 카탈로그 번호와 전압을 반드시 확인하고 표기해야 합니다.

배터리 팩은 포장박스에서 꺼낼 때 완전히 충전된 상태가 아닙니다. 배터리 팩과 충전기를 사용하기 전에 아래 안전 지침을 숙독하십시오. 그런 다음 설명된 충전 절차를 따르십시오.

모든 지시 사항을 읽으십시오

- **가연성 액체, 가스 또는 먼지 등 폭발 위험이 있는 환경에서 배터리를 충전하거나 사용하지 마십시오.** 배터리를 끼우거나 충전기에서 분리할 때 먼지나 가스에 불이 붙을 수 있습니다.
- **충전기에 배터리 팩을 끼울 때 과도한 힘을 주지 마십시오. 어떤 형태라도 호환되지 않는 충전기에 사용하기 위해 배터리 팩을 개조하지 마십시오.** 배터리 팩이 파열되어 심각한 부상을 유발할 수 있습니다.
- DeWALT 충전기에서만 배터리 팩을 충전하십시오.
- 물이나 기타 액체가 튀어 묻거나 액체에 빠지지 않도록하십시오.
- 온도가 4°C (39.2°F) 이하로 떨어지거나 (겨울의 금속 외벽 또는 금속 건물과 같은) 장소에서 공구와 배터리 팩을 보관하거나 사용하지 마십시오 40°C (104 °F) (여름철 허름한 창고 또는 금속 건물 등).
- **배터리 팩이 심하게 손상되거나 완전히 낡았다라도 절대 소각하지 마십시오.** 배터리 팩은 불속에서 폭발할 수 있습니다. 리튬이온 배터리 팩은 연소되면서 독성 연기와 물질을 발생시킵니다.
- **배터리 내용물이 피부에 닿으면 즉시 증성 세척제로 해당 부위를 씻으십시오.** 배터리액이 눈에 들어갔을 경우, 15분 정도 또는 통증이 가실 때까지 눈을 뜨고 물로 씻어냅니다. 치료가 필요한 경우를 위해, 배터리 전해질은 액체 유기 탄산염과 리튬염의 혼합물로 구성되어 있음을 알아 두십시오.
- **열린 배터리 셀의 내용물은 호흡기 질환을 일으킬 수 있습니다.** 신선한 공기를 마시십시오. 증상이 계속되면 치료를 받으십시오.



경고: 화상 위험. 배터리액은 불꽃이나 화염에 노출되면 연소될 수 있습니다.



경고: 어떤 이유로든 배터리 팩을 열지 마십시오. 배터리 팩 케이스에 금이 가거나 손상된 경우 충전기에 삽입하지 마십시오. 배터리 팩을 문개거나 떨어뜨리거나 손상시키지 마십시오. 날카로운 타격을 받았거나, 떨어뜨리거나, 넘어지거나, 어떤 방식으로든 손상된 (예: 못으로 뚫기, 망치로 두드리기, 발한) 배터리 팩이나 충전기를 사용하지 마십시오. 감전 또는 감전사의 위험이 있습니다. 손상된 배터리 팩은 재활용을 위해 서비스 센터에 반환해야 합니다.



경고: 화재 위험. 배터리 팩을 보관하거나 휴대할 때는 노출된 배터리 단자에 금속 물체가 닿지 않도록 하십시오. 예를 들어, 못, 나사, 키 등이 있는 알차마, 주머니, 도구상자, 제품 키트 상자, 서랍 등에 배터리 팩을 두지 마십시오.



주의: 사용하지 않을 때는 넘어 지거나 떨어질 위험이 없는 안정된 표면에 공구를 옆으로 놓으십시오. 큰 배터리

운반



경고: 화재 위험. 배터리를 운반할 때 배터리 단자가 실수로 전도성 물질과 닿을 경우 화재 위험의 가능성이 있습니다. 배터리를 운반할 경우에는 배터리 단자가 보호되어 있고, 물체에 닿을 경우 단락을 일으킬 수 있는 물체로부터 제대로 절연되어 있는지 확인하십시오. **참고:** 리튬이온 배터리는 검사된 수화물에 넣어야 합니다.

DeWALT 배터리는 UN 의 위험물 운송에 관한 권고 (Recommendations on the Transport of Dangerous Goods, RTDG), 국제 항공 운송 협회 (IATA) 의 위험물 규정, 국제해상위험물 (International Maritime Dangerous Goods, IMDG) 규정 및 국제도로위험물물운송에 관한 유럽조약 (European Agreement Concerning The International Carriage of Dangerous Goods by Road (ADR)) 을 포함하여 산업 표준 및 법적 기준에 따라 해당되는 모든 운송 규정을 준수합니다. 리튬 이온 전지 및 배터리는 위험 화물 테스트 및 기준 설명서에 대한 UN 권고 38.3 항에 따라 테스트되었습니다.

대부분의 경우 DeWALT 배터리 팩 배송은 완전히 규제되는 9 등급 위험 물질로 분류되지 않습니다. 일반적으로, 에너지효율 등급이 100 와트시 (Wh) 보다 큰 리튬 이온 배터리를 포함하는 수송품만 완전 규제를 받는 Class 9 에 따라 운송되어야 합니다. 모든 리튬 이온 배터리에는 팩에 와트시 등급이 표시되어 있습니다. 또한 규정의 복잡성으로 인해 DeWALT 는 와트시 등급에 관계없이 리튬 이온 배터리 팩만 항공 운송하는 것을 권장하지 않습니다. 배터리 팩의 와트시 등급이 100 Whr 보다 크지 않을 경우는 제외되므로 배터리 (콤보 키트) 가 포함된 공구의 수송품은 항공 운송할 수 있습니다. 수송품이 예외로 고려되든지 또는 완전 규제를 받든지 여부와 상관 없이, 포장, 라벨링/표시 및 문서 요건에 관한 최신 규정을 찾아보는 것은 운송 회사의 책임입니다.

설명서의 본 섹션에서 제공되는 정보는 옳다고 믿고 제공되며 문서가 작성되었던 시기에만 정확한 것으로 간주됩니다. 단, 보증은 명시적이거나 함축적으로 제공되지 않습니다. 활동 시 해당 규정을 준수하는 것은 구매자의 책임입니다

FLEXVOLT™ 배터리 운반

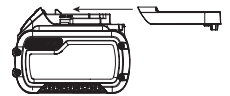
DeWALT FLEXVOLT™ 배터리에는 두 가지 모드가 있습니다. **사용 및 운송.**

사용 모드: FLEXVOLT™ 배터리가 단독으로 사용되거나 DeWALT 18V (최대 20V) 제품에 있는 경우 18V (최대 20V) 배터리로 작동합니다. FLEXVOLT™ 배터리가 54V (최대 60V) 또는 108V (최대 120V) (54V (60V 최대) 배터리 2 개) 제품에 있는 경우 54V (최대 60V) 배터리로 작동합니다.

운반 모드: 캡이 FLEXVOLT™ 배터리에 부착되면 배터리는 운송 모드에 있습니다. 운송 시 캡을 유지하십시오.

운반 모드에 있을 때, 더 높은 와트시 등급의 배터리 1 개에 비해 더 낮은 와트시 (Wh) 등급의 배터리 3 개가 있는 팩 내에서 일련의 셀은 전기 연결이 끊어져 있습니다. 와트시 등급이 더 낮은 이 증가된 배터리 3 개 수량은 더 높은 와트시 배터리에 부과되는 특정 수송 규정에서 팩을 면제시킬 수 있습니다.

예를 들어, 운반 Wh 정격은 3 x 36 Wh 를 나타내며, 각 36 Wh 배터리 3 개를



사용 및 운송 라벨 표시 예제

Use: 108 Wh
 Transport: 3x36 Wh

의미합니다. 사용 Wh 정격은 108 Wh 를 나타낼 수 있습니다 (1 개 배터리 포함).

보관 권장 사항

1. 보관 장소로는 직사광선을 받지 않고 지나치게 덥거나 춥지 않은 시원하고 건조한 곳이 가장 좋습니다. 최적의 배터리 성능과 수명을 위해, 사용하지 않을 때에는 배터리 팩을 실온에서 보관하십시오.
2. 장기간 보관하는 경우, 최적의 결과를 위해 완전히 충전된 배터리 팩을 충전기에서 분리하여 서늘하고, 건조한 장소에 보관하는 것이 좋습니다.

참고: 배터리 팩은 완전히 방전된 상태로 보관해서는 안됩니다. 사용 전에 배터리 팩을 재충전해야 합니다.

충전기 및 배터리 팩에 부착된 라벨

본 설명서에 사용된 그림 외에도 충전기 및 배터리 팩에 부착된 라벨에는 다음과 같은 그림이 표시되어 있습니다.



사용 전에 사용 설명서의 내용을 숙지하십시오.



충전 시간은 **기술 데이터를** 참조하십시오.



전도성 있는 물체로 시험하지 마십시오.



손상된 배터리 팩을 충전하지 마십시오.



물에 닿지 않도록 하십시오.



손상된 코드는 즉시 교체하십시오



4 °C ~ 40 °C 사이에서만 충전하십시오.



실내 전용.



LI-ION

환경 보호 차원에서 배터리 팩을 폐기하십시오.



DCBXXX

지정된 DEWALT 충전기¹로만 배터리 팩을 충전하십시오. 지정된 DEWALT 배터리 이외의 배터리 팩을 DEWALT 충전기로 충전하면 파열되거나 다른 위험한 상황이 발생할 수 있습니다.



배터리 팩을 소각하지 마십시오.



사용 (운반 캡 미포함). 예: Wh 정격은 108 Wh 를 나타냅니다 (108 Wh 배터리 1개).



운반 (내장 운반 캡 포함). 예: Wh 정격은 3 x 36 Wh (36 Wh 배터리 3 개) 를 나타냅니다.

배터리 유형

다음 공구는 18 볼트 (최대 20V) 배터리 팩에서 작동합니다 : DCF900 이러한 배터리 팩은 다음을 사용할 수 있습니다. DCB180, DCB181, DCB182, DCB183, DCB184, DCB203, DCB204, DCB205, DCB185, DCB186, DCB187, DCB189, DCB208, DCB240, DCBP034, DCB546, DCB547, DCB548, DCB549, DCB606, DCB609, DCB612, DCB615. 자세한 내용은 **기술 데이터를** 참조하십시오.

포장 내용물

포장에는 다음 내용물이 들어 있습니다.

- 1 임팩트 렌치
- 1 충전기
- 1 리튬 이온 배터리 팩 (C1, D1, E1, H1, L1, M1, P1, S1, T1, X1, Y1 모델)
- 2 리튬 이온 배터리 팩 (C2, D2, E2, H2, L2, M2, P2, S2, T2, X2, Y2 모델)
- 3 리튬 이온 배터리 팩 (C3, D3, E3, H3, L3, M3, P3, S3, T3, X3, Y3 모델)
- 1 임팩트 렌치 보호 덮개
- 1 사용 설명서
- 1 TSTAK Kitbox (T 모델 포함)

참고: 배터리 팩, 충전기 및 키트 박스는 N 모델에 포함되어 있지 않습니다. 배터리 팩과 충전기는 NT 모델에 포함되어 있지 않습니다. B 모델에는 Bluetooth® 배터리 팩이 포함됩니다.

참고: Bluetooth® 워드 마크 및 로고는 Bluetooth®, SIG, Inc. 소유의 등록 상표이며 DEWALT 는 라이선스 하에 이러한 마크를 사용합니다. 기타 상표 및 상호는 해당 소유자의 상표입니다.

- 운반 중에 발생할 수 있는 공구, 부품 또는 액세서리의 손상 여부를 확인하십시오.
- 작동 전에 시간을 내어 본 사용 설명서를 읽고 숙지하십시오.

공구에 표시된 마크

공구에는 다음과 같은 그림이 있습니다 :



사용 전에 사용 설명서의 내용을 숙지하십시오.



귀 보호 장구를 착용하십시오.



보안경 착용.



가시 광선. 빛을 응시하지 마십시오.

날짜 코드 위치 (그림 B)

날짜 코드에는 **10** 제조년도가 포함되어 이 제조년도는 케이스에 인쇄되어 있습니다.

예:

2022 XX XX

제조 연도 및 주

설명 (그림 A, B)

! **경고:** 전동 공구 또는 전동 공구의 어떤 부품도 절대 개조하지 마십시오. 제품이 파손되거나 신체 부상을 당할 수도 있습니다.

- 1 트리거 스위치
- 2 정 회전 / 역 회전 버튼
- 3 앤빌
- 4 배터리 분리 버튼
- 5 배터리 팩
- 6 작업 등
- 7 모드 선택기
- 8 메인 핸들
- 9 작업 등 스위치

용도

이 임팩트 렌치는 전문적인 임팩트 체결 작업을 위해 설계되었습니다. 충격 기능을 활용하여 이 공구는 목재, 금속 및 콘크리트의 패스너를 조일 때 특히 유용합니다.

절대로 습한 환경이나 가연성 액체 또는 가스가 있는 곳에서 **사용하지** 마십시오.

이 임팩트 렌치는 전문적인 전동 공구입니다.

어린이가 이 공구를 **만지지않도록** 하십시오. 경험이 없는 작업자가 이 공구를 사용할 때는 감독자의 지도가 필요합니다.

- **어린이 및 노약자.** 본 제품은 어린이나 노약자가 사용하도록 설계되지 않았습니다. 이러한 사람이 사용할 때는 감독이 필요합니다.
- 본 제품은 안전 책임을 맡고 있는 사람이 감독을 하고 있지 않는 한 경험, 지식 또는 기술이 부족하고 신체적, 감각적 또는 정신적 능력이 미약한 사람(어린이 포함)이 사용하도록 고안된 것이 아닙니다. 이 제품과 함께 어린이만 혼자 두어서는 안됩니다.

조립 및 조정

! **경고:** 심각한 부상의 위험을 줄이려면 **조정을 하거나 부작용 또는 액세서리를 제거/설치하기 전에 도구를 끄고배터리 팩을 분리하십시오.** 공구가 갑자기 작동하여 부상을 당할 수 있습니다.

! **경고:** DEWALT 배터리 팩과 충전기만 사용하십시오.

공구에서 배터리 팩 삽입 및 제거 (그림 B)

참고: 배터리 팩이 완전히 5 충전되었는지 확인하십시오.

배터리 팩을 공구 핸들에 설치하려면

1. 배터리 팩을 공구 손잡이 안쪽의 레일에 맞춥니다 (그림 B).
2. 공구에 배터리 팩이 견고하게 장착될 때까지 핸들에 밀어 넣고 딸깍하고 잠기는 소리가 들리는지 확인하십시오.

공구에서 배터리 팩을 분리하려면

1. 배터리 분리 버튼을 누르고 4 배터리 팩을 공구 손잡이에서 단단히 잡아당깁니다.
2. 본 사용 설명서의 충전기 색선에 설명된 대로 배터리 팩을 충전기에 삽입합니다.

배터리 잔량 표시 (그림 B)

일부 DeWALT 배터리 팩에는 배터리 팩에 남아 있는 충전 수준을 나타내는 3 개의 녹색 LED 표시등으로 구성된 잔량표시계가 있습니다.

잔량표시계를 작동하려면 잔량표시 버튼 11을 길게 누릅니다. 녹색 LED 표시등 3 개가 조합되어 커짐으로써 충전 잔량 수준을 나타냅니다. 배터리 잔량이 사용 가능한 한계치 미만이면 배터리 잔량 표시계가 켜지지 않으므로 배터리를 재충전해야 합니다.

참고: 잔량표시계는 배터리 팩에 남아 있는 충전 레벨을 나타내는 것일 뿐입니다. 공구의 가능성을 나타내는 것이 아니며 제품 구성품, 온도 및 최종 사용자의 용도에 따라 변경될 수 있습니다.

가변 속도 트리거 스위치 (그림 A)

공구를 켜려면 트리거 스위치 1을 누릅니다. 공구를 끄려면 트리거 스위치를 놓습니다. 공구에는 브레이크가 장착되어 있습니다. 트리거 스위치를 완전히 놓으면 앤빌이 멈춥니다. 가변 속도 스위치를 사용하여 특정 응용 분야에서 가장 적합한 속도를 선택할 수 있습니다. 트리거를 당길수록 공구가 더 빨리 작동합니다. 공구 수명을 최대화하려면 시작 구멍 또는 패스너에만 가변 속도를 사용하십시오.

참고: 가변 속도 범위에서 연속 사용은 권장하지 않습니다. 트리거 스위치가 손상될 수 있으므로 피해야 합니다.

정 회전 / 역 회전 제어 버튼 (그림 A)

정 회전 / 역 회전 제어 버튼 2은 공구의 작동 방향을 결정하고 잠금 해제 버튼으로도 사용됩니다.

정회전을 선택하려면, 트리거 스위치에서 손을 떼고 공구 오른쪽에 있는 정 회전 / 역 회전 제어 버튼을 누릅니다.

후진을 선택하려면 트리거 스위치를 놓고 공구 왼쪽에 있는 정 회전 / 역 회전 제어 버튼을 누르십시오.

제어 버튼의 중앙 위치는 공구를 꺼짐 위치에 고정합니다. 제어 버튼의 위치를 변경할 때 트리거를 놓아야 합니다.

참고: 회전 방향을 변경한 후 공구를 처음 실행하면 작동 시 클릭 소리가 들릴 수 있습니다. 이는 정상적인 현상이며문제가 있는 것은 아닙니다.

작업등 (그림 A, C)

작업등 6은 가변 속도 트리거 1을 누르면 활성화됩니다. 작업등 스위치 9를 반복해서 누르면 저조도, 고조도, 꺼짐이 차례로 전환됩니다.

참고: 작업등은 바로 작업 표면을 비추기 위한 것이며 손전등으로 사용할 수 없습니다.

모드 선택기 (그림 A, C)

공구에는 세 가지 속도 또는 정밀 렌치™ 모드 중 하나를 선택할 수 있는 모드 선택기 7가 있습니다. 필요한 최대 속도/토크에 따라 모드를 선택하고 가변 속도 트리거 스위치 1을 사용하여 공구의 속도를 제어합니다.

정밀 렌치™ (그림 C)

저속 임팩팅 모드 이외도 이 공구는 사용자가 볼트를 조이거나 풀 때 더 나은 제어를 할 수 있도록 정밀 렌치™ 모드를 제공하고 있습니다. 정회전으로 설정하면 임팩팅이 시작 될 때까지 820 RPM

한국어

으로 고정됩니다. 그런 다음 공구는 0.75 초간 일시 정지한 후 2200 IPM 의 속도로 충격을 계속하여 사용자에게 더 큰 제어력을 제공하고 재료를 과도하게 조이거나 손상시킬 가능성을 줄입니다. 반대로 설정하면 공구는 2200 IPM 의 정상 속도 및 비율로 작동합니다. 소켓 등 고정 장치가 풀린 것을 감지하면 공구는 임팩팅을 멈추고 속도를 줄여서 볼트가 유출되는 것을 방지합니다.

명세서		
모드	어플리케이션	RPM
속도 1	저속 임팩트	0-650 정회전
		0-2300 역회전
속도 2	중속 임팩트	0-1040 정회전
		0-2300 역회전
속도 3	고속 임팩트	0-2300 정회전
		0-2300 역회전
정밀 렌치™ 모드	정밀 렌치™	0-820 정회전
		0-2300 역회전

엔빌 (그림 A, D)

경고: 반드시 임팩용 액세서리 (소켓) 을 사용하십시오. 비임팩용 액세서리 사용할 경우 의도치 않게 파손될 수 있으며, 위험한 상태를 유발할 수 있습니다. 사용하기 전에 반드시 액세서리에 균열이 없는지 확인하십시오.

주의: 사용하기 전에 엔빌과 호그 링을 확인하십시오. 누락되거나 손상된 부품은 사용하기 전에 교체해야 합니다.

액세서리를 교체하기 전에 스위치를 잠금 해제 (중앙) 위치에 두거나 배터리 팩을 제거하십시오.

호그 링 엔빌에 액세서리를 설치하려면 액세서리를 엔빌 ③ 에 단단히 밀어 넣습니다. 호그 링 ⑫ 은 액세서리가 미끄러질 수 있도록 압축됩니다. 액세서리가 설치된 후 호그 링은 액세서리를 고정하는 데 도움이 되도록 압력을 가합니다.

액세서리를 제거하려면 액세서리를 잡고 단단히 잡아당깁니다.

조작

사용 지침

경고: 항상 안전 지시 사항과 해당 규정을 준수하십시오.

경고: 심각한 부상의 위험을 줄이려면 조정을 하거나 부속물 또는 액세서리를 제거/설치하기 전에 도구를 끄고 배터리 팩을 분리하십시오. 공구가 갑자기 작동하여 부상을 당할 수 있습니다.

올바른 손의 위치 (그림 E)

경고: 심각한 신체 부상의 위험을 줄이려면 항상 그림과 같이 올바르게 손을 위치하십시오.

경고: 심각한 신체 부상의 위험을 줄이려면 항상 급작스러운 반동을 예상하고 확실하게 잡으십시오.

올바른 손 위치를 지정하려면 한 손으로 메인 핸들을 잡아야 합니다 ⑧ .

사용법 (그림 A)

주의: 패스너 및/또는 시스템이 공구에서 발생하는 토크 수준을 견딜 수 있는지 확인하십시오. 과도한 토크는 파손 및 부상의 원인이 될 수 있습니다.

1. 패스너 헤드에 액세서리를 놓습니다. 공구가 패스너를 똑바로 가라키도록 하십시오.
2. 가변 속도 트리거 스위치 ① 을 눌러 작동을 시작합니다. 작동을 중지하려면 가변 속도 트리거 스위치를 놓습니다. 조임 토크는 다음을 포함한 많은 요인의 영향을 받으므로 항상 토크 렌치로 토크를 확인하십시오.
 - **전압:** 배터리가 거의 방전되어 전압이 낮으면 조임 토크가 감소합니다.
 - **액세서리 크기:** 올바른 액세서리 크기를 사용하지 않으면 체결 토크가 감소합니다.
 - **볼트 크기:** 더 큰 볼트 직경은 일반적으로 더 높은 조임 토크를 필요로 합니다. 조임 토크는 길이, 등급 및 토크 계수에 따라 달라집니다.
 - **볼트:** 적절한 조임 토크를 허용하려면 모든 나사산에 녹 및 기타 이물질이 없는지 확인합니다.
 - **재료:** 재료의 유형과 재료의 표면 마감은 조임 토크에 영향을 미칩니다.
 - **고정 시간:** 조임 시간이 길수록 조임 토크가 증가합니다. 권장 시간보다 더 긴 고정 시간을 사용하면 패스너에 과도한 응력이 가해지거나 벗겨지거나 손상될 수 있습니다.

유지 보수

이 전동 공구는 최소한의 유지 보수로 장기간에 걸쳐 작업이 가능하도록 설계되어 있습니다. 만족스러운 연속 작동은 적절한 공구 관리와 정기적인 청소로 따라 그 성능이 달라질 수 있습니다.

경고: 심각한 부상의 위험을 줄이려면 조정을 하거나 부속물 또는 액세서리를 제거/설치하기 전에 도구를 끄고 배터리 팩을 분리하십시오. 공구가 갑자기 작동하여 부상을 당할 수 있습니다.

충전기 및 배터리 팩은 수리할 수 없습니다.



윤활

전동 공구는 별도의 윤활 작업이 필요하지 않습니다.



청소

경고: 통풍구 속이나 주변에 먼지가 쌓여있는 것이 보이면 가능한 한 자주 건조한 공기를 이용하여 메인 하우징에서 먼지를 불어내십시오. 이 절차를 수행할 때에는 승인된 눈 보호 장구 및 승인된 방진 마스크를 착용하십시오.

경고: 공구의 비금속성 부품을 청소할 때는 용제 등의 강력한 화학약품을 절대 사용하지 마십시오. 그렇지 않으면 이러한 부분에 사용된 재료가 약해질 수 있습니다. 형광에 물과 순한 비누를 적셔 닦아주십시오. 공구 내부에 액체를 넣거나 공구 부품을 액체에 담그는 행동은 절대 금물입니다.

옵션 액세서리

경고: DEWALT 에서 제공하는 액세서리 이외의 액세서리는 이 제품에서 테스트되지 않았기 때문에 이러한 액세서리를 이 공구와 함께 사용하면 위험할 수 있습니다. 부상 위험을 줄이려면 이 제품과 함께 DEWALT 권장 액세서리만 사용해야 합니다.

해당 액세서리에 대한 자세한 정보는 판매 대리점으로 문의하십시오.

환경 보호



분리수거. 이 기호가 표시된 제품 및 배터리는 일반 가정 쓰레기와 함께 폐기해서는 안 됩니다.

제품과 배터리에는 원재료 수요를 줄이기 위해 회수하거나 재활용할 수 있는 재료가 포함되어 있습니다. 지역 규정에 따라 전기 제품과 배터리를 재활용하십시오. 자세한 내용은 다음 웹사이트에서 찾아볼 수 있습니다 www.2helpU.com

충전용 배터리 팩

이전에 쉽게 수행했던 작업에 대해 충분한 힘을 발휘하지 못하는 배터리 팩은 재충전해야 합니다. 배터리 수명이 다하면 환경 보호 차원에서 배터리 팩을 폐기하십시오.

- 배터리 팩을 완전히 사용하고 난 후 공구에서 분리하십시오.
- 리튬이온 전지는 재활용할 수 있습니다. 이 전지를 판매점이나 지역 재활용 센터로 가져가십시오. 수집된 배터리 팩은 재활용되거나 적절히 폐기됩니다.

판매후서비스 및 수리

DeWALT 서비스 센터에는 숙련된 인력이 배치되어 고객에게 효율적이고 안정적인 제품 서비스를 제공합니다. 승인되지 않은 서비스 센터에서 수리한 경우 당사는 어떠한 책임도 지지 않습니다. 제품 포장에 동봉된 연락처 및 위치 정보 리플릿을 참조하고 상담전화, 웹사이트 또는 소셜 미디어를 통해 당사에 연락하여 가장 가까운 DeWALT 서비스 센터를 찾을 수 있습니다.

