

## Intended use

Your Black & Decker mower has been designed for mowing grass. This appliance is intended for consumer use only.

## Safety instructions

**Warning!** When using cordless appliances, basic safety precautions, including the following, should always be followed to reduce the risk of fire, electric shock, personal injury and material damage.

**Warning!** When using the machine the safety rules must be followed. For your own safety and bystanders please read these instructions before operating the machine. Please keep the instructions safe for later use.

- ◆ Read all of this manual carefully before operating the appliance.
- ◆ The intended use is described in this manual. The use of any accessory or attachment or the performance of any operation with this appliance other than those recommended in this instruction manual may present a risk of personal injury.
- ◆ Retain this manual for future reference.

## Using your appliance

Always take care when using the appliance.

- ◆ This appliance is not intended for use by young or infirm persons without supervision.
- ◆ The appliance is not to be used as a toy.
- ◆ Do not allow children or animals to come near the work area or touch the appliance or power supply cord.
- ◆ Close supervision is necessary when the appliance is used near children.
- ◆ Use in a dry location only. Do not allow the appliance to become wet.
- ◆ Do not immerse the appliance in water.
- ◆ Do not open body casing. There are no userserviceable parts inside.
- ◆ Do not operate the appliance in explosive atmospheres, such as in the presence of flammable liquids, gases or dust.
- ◆ To reduce the risk of damage to plugs and cords never pull the cable to remove the plug from a socket.

## After use

- ◆ When not in use, the appliance should be stored in a dry, well ventilated place out of the reach of children.
- ◆ Children should not have access to stored appliances.
- ◆ When the appliance is stored or transported in a vehicle it should be placed in the boot or restrained to prevent movement following sudden changes in speed or direction.

## Inspection and repairs

- ◆ Before use, check the appliance for damaged or defective parts. Check for breakage of parts, damage to switches and any other conditions that may affect its operation.
- ◆ Do not use the appliance if any part is damaged or defective.
- ◆ Have any damaged or defective parts repaired or replaced by an authorised repair agent.
- ◆ Never attempt to remove or replace any parts other than those specified in this manual.

## Additional safety instructions for lawnmowers

- ◆ Firmly grip handle with both hands when operating the lawnmower.
- ◆ If at any time it is felt necessary to tilt the lawnmower, make sure that both hands remain in the operating position while the lawnmower is tilted. Keep both hands in the operating position until the lawnmower is returned to rest correctly on the ground.
- ◆ Never wear radio or music headphones while operating the lawnmower.
- ◆ Never attempt to make a wheel height adjustment while the motor is running or while the safety key is in the switch housing.
- ◆ If the lawnmower stalls, release bail bar to turn mower off, wait for blade to stop and remove the safety key, before attempting to unplug the chute or remove anything from under the deck.
- ◆ Keep hands and feet away from cutting area.
- ◆ Keep blades sharp. Always use protective gloves when handling the lawnmower blade.
- ◆ If you are using the grass bag (15), check it frequently for wear and deterioration. If excessively worn, replace with a new bag for your safety.
- ◆ Use extreme caution when reversing or pulling the lawnmower towards you.
- ◆ Do not put hands or feet near or under the lawnmower. Keep clear of the discharger opening at all times.
- ◆ Clear the area where the lawnmower is to be used of objects such as rocks, sticks, wire, toys, bones etc., which could be thrown by the blade. Objects struck by the blade can cause severe injury to persons. Stay behind the handle when the motor is running.
- ◆ Do not operate the lawnmower barefooted or while wearing sandals. Always wear substantial footwear.
- ◆ Do not pull lawnmower backward unless absolutely necessary. Always look down and behind before and while moving backward.
- ◆ Never direct discharged material toward anyone. Avoid discharging material against a wall or obstruction. Material may ricochet back toward the operator. Release the bail bar to turn the lawnmower off and stop the blade when crossing gravel surfaces.

- ◆ Do not operate the lawnmower without the entire grass bag, discharge guard, rear guard, or other safety protective devices in place and working. Periodically check all guards and safety protective devices to ensure they are in good working order and will operate properly and perform their intended function. Replace a damaged guard or other safety device before further use.
- ◆ Never leave a running lawnmower unattended. Always remove the safety key if the lawnmower is going to be left unattended.
- ◆ Always release the bail bar to stop the motor and wait until the blade comes to a complete stop and remove the safety key before cleaning the lawnmower, removing the grass bag, unclogging the discharge guard, when leaving the lawnmower, or before making any adjustments, repairs or inspections.
- ◆ Operate lawnmower only in daylight or good artificial light when objects in the path of the blade are clearly visible from the operating area of the lawnmower.
- ◆ Do not operate the lawnmower while under the influence of alcohol or drugs, or when you are tired or ill. Always stay alert, watch what you are doing, and use common sense.
- ◆ Avoid dangerous environments. Never operate the lawnmower in damp or wet grass, never use lawnmower in the rain. Always be sure of your footing, walk, never run.
- ◆ If the lawnmower should start to vibrate abnormally, release the bail bar, wait for the blade to stop and remove the safety key, then check for the cause immediately. Vibration is generally a warning of trouble, see the troubleshooting guide for advise in the case of abnormal vibration.
- ◆ Always wear proper eye and respiratory protection when operating the lawnmower.
- ◆ The use of any accessory or attachment not recommended for use with this lawnmower could be hazardous. Only use accessories approved by Black & Decker.
- ◆ Never overreach while operating the lawnmower. Always be sure to keep proper footing and balance at all times while operating the lawnmower.
- ◆ Mow across the face of slopes, never up and down. Exercise extreme caution when changing direction on slopes.
- ◆ Watch for holes, ruts, bumps, rocks or other hidden objects. Uneven terrain could cause a slip and fall accident. Tall grass can hide obstacles.
- ◆ Do not mow on wet grass or excessively steep slopes. Poor footing could cause a slip and fall accident.
- ◆ Do not mow near drop-offs, ditches, or embankments. You could lose your footing or balance.

## Safety of others

- ◆ This appliance is not intended for use by persons (including children) with reduced physical, sensory or mental capabilities, or lack of experience and knowledge, unless they have been given supervision or instruction concerning use of the appliance by a person responsible for their safety.
- ◆ Children must be supervised to ensure that they do not play with the appliance.

## Residual risks.

Additional residual risks may arise when using the tool which may not be included in the enclosed safety warnings. These risks can arise from misuse, prolonged use etc.

Even with the application of the relevant safety regulations and the implementation of safety devices, certain residual risks can not be avoided. These include:

- ◆ **Injuries caused by touching any rotating/moving parts.**
- ◆ **Injuries caused when changing any parts, blades or accessories.**
- ◆ **Injuries caused by prolonged use of a tool. When using any tool for prolonged periods ensure you take regular breaks.**
- ◆ **Impairment of hearing.**
- ◆ **Health hazards caused by breathing dust developed when using your tool (example:- working with wood, especially oak, beech and MDF.)**

## Warning symbols

The following warning symbols are found on the appliance:



**Warning!** Read the manual prior to operation.



Do not expose the appliance to rain or high humidity.



Beware of sharp blades.

Always remove the safety key before cleaning the lawnmower, removing the grass bag, unclogging the discharge guard, when leaving the lawnmower, or before making any adjustments, repairs or inspections.



Beware of flying objects. Keep bystanders away from the cutting area.



Wear eye protection



The blades will continue to rotate after the machine is switched off.



Directive 2000/14/EC guaranteed sound power.

## Additional safety instructions for batteries and chargers

### Batteries

- ◆ Never attempt to open for any reason.
- ◆ Do not expose the battery to water.
- ◆ Do not expose the battery to heat.
- ◆ Do not store in locations where the temperature may exceed 40 °C.
- ◆ Charge only at ambient temperatures between 10 °C and 40 °C.
- ◆ Charge only using the charger provided with the appliance/tool. Using the wrong charger could result in an electric shock or overheating of the battery.
- ◆ When disposing of batteries, follow the instructions given in the section "Protecting the environment".
- ◆ Do not damage/deform the battery pack either by puncture or impact, as this may create a risk of injury and fire.
- ◆ Do not charge damaged batteries.
- ◆ Under extreme conditions, battery leakage may occur. When you notice liquid on the batteries carefully wipe the liquid off using a cloth. Avoid skin contact.
- ◆ In case of skin or eye contact, follow the instructions below.

**Warning!** The battery fluid may cause personal injury or damage to property. In case of skin contact, immediately rinse with water. If redness, pain or irritation occurs seek medical attention. In case of eye contact, rinse immediately with clean water and seek medical attention.

Do not attempt to charge damaged batteries.



### Chargers

Your charger has been designed for a specific voltage. Always check that the mains voltage corresponds to the voltage on the rating plate.

**Warning!** Never attempt to replace the charger unit with a regular mains plug.

- ◆ Use your Black & Decker charger only to charge the battery in the appliance/tool with which it was supplied. Other batteries could burst, causing personal injury and damage.
- ◆ Never attempt to charge non-rechargeable batteries.
- ◆ If the supply cord is damaged, it must be replaced by the manufacturer or an authorised Black & Decker Service Centre in order to avoid a hazard.
- ◆ Do not expose the charger to water.
- ◆ Do not open the charger.
- ◆ Do not probe the charger.
- ◆ The appliance/tool/battery must be placed in a well ventilated area when charging.



The charger is intended for indoor use only.



Read the instruction manual before use.

### Electrical safety



Your charger is double insulated; therefore no earth wire is required. Always check that the mains voltage corresponds to the voltage on the rating plate. Never attempt to replace the charger unit with a regular mains plug.

- ◆ If the supply cord is damaged, it must be replaced by the manufacturer or an authorised Black & Decker Service Centre in order to avoid a hazard.



## Features

This appliance includes some or all of the following features.

1. Safety key
2. Bail bar
3. Self drive bail handle
4. Speed control lever
5. Handle bar
6. Spring loaded rear door
7. Handle adjust knob
8. Handle attachment bolts
9. Battery clasp
10. Battery lever
11. Removable battery
12. Mulch - On Demand knob
13. Cutting height lever
14. Cutting height indicator
15. Grass bag

## Assembly

**Warning!** Before assembly, make sure that the tool is switched off and unplugged.

### Unpacking (fig. A & B)

**Warning!** Pinch point - to avoid being pinched, keep fingers away from the area between the handle and the plates.

- ◆ Carefully cut down the sides of the box on the opposite end of the handle and fold the flap down as shown.
- ◆ With the carton side cut open, remove the cardboard filler, charger, accessory bag and grass bag and push the mower out of the opened carton.

**Warning!** Sharp moving blade. Keep body parts away from the blade.

### Handle assembly (fig. C)

Tools required for assembly, not supplied: Adjustable or 1/2 inch (13mm) wrench.:

- ◆ Position the handle so that the handle (5) holes line up with the plate (16) holes. The handle quick adjust knobs (7) will line up with the side plate (16) top holes.
- ◆ Place handle attachment bolts (8) through the handle (5) holes and thread into the plate (16). Before tightening repeat for other side.
- ◆ Tighten handle attachment bolts (8) securely using adjustable or 1/2 inch (13mm) wrench.
- ◆ To set desired handle height refer to handle adjustment. Do not push or use mower unless handle is properly fastened and secured to mower.

**Warning!** Pinch point - to avoid being pinched, keep fingers away from the area between the handle (5) and the plates (16).

### Handle adjustment (fig. D)

Your mower has a variable height handle adjustment feature. To adjust the handle position to suit your height preference, use the following procedure:

- ◆ Hold handle (5) with one hand, pull out and rotate one handle adjust knob (7) a quarter-turn to release the pin from the metal plate hole.
- ◆ Repeat for the opposite side. Now the handle (5) is free to move into another handle height position.
- ◆ Move the handle to desired height position.
- ◆ Pull out and rotate one handle adjust knob (7) a quarter-turn to re-engage the pin in the metal plate hole, repeat for the opposite side.

### Assembling the grass bag (fig. E & F)

- ◆ Slide the grass bag (15) onto the frame (17).
- ◆ Assemble the top clips of the grass bag to the frame.
- ◆ Assemble the two side clips to the frame, followed by the bottom clip.

### Wheel height adjustment (fig. G & H)

Your mower features the Black & Decker One-Touch Wheel-Height adjustment system. This system will adjust all four wheels at the same time.

The mower has seven blade height adjustment positions (38 mm to 89 mm). Refer to the scale and pointer at the front of the mower. The pointer will indicate the height setting for cutting your lawn. This setting can be a reference for the next time you want to cut your lawn to the same height.

- ◆ Release the bail bar (3) to turn the lawnmower off, wait until the blade stops and remove the safety key (1).
- ◆ To raise or lower the cutting height, place the palm of your hand on the palm rest (18) and with your fingers, squeeze upward on the finger grip (19) and hold.
- ◆ While holding the finger grip (19), raise or lower the cutting height as required. The height indicator will show the current setting (fig. H).
- ◆ When the mower is at the required height, hold it in place with your left hand on the lower right handle bar and release the finger grip (19) to lock the height adjustment.

**Note:** To make sure that the mower is securely locked in one of the eight positions, press down on the palm rest after releasing the finger grip.

### Removing and fitting the battery (fig. I & K)

The battery pack (11) can be removed from the mower for storage/charging or left in the mower for charging.

#### Before removing the battery:

- ◆ Place the mower on level ground.
- ◆ Release the bail bar (3) to turn the mower off, wait for the blade to stop and remove the safety key (1).

**To remove the battery:**

- ◆ Lift the battery lever (10) to release the battery clasp (9) and then pull it back away from the battery pack. Lift the battery pack out.

**To fit the battery**

Before installation of the battery pack, make sure that the mower is clear of debris and the charger connector (20) is disconnected from the battery pack (11).

- ◆ Slide the battery pack into the mower. (the battery will only fit one way.)
- ◆ Secure the battery in the mower by clipping the battery clasp (9) over the edge of the battery (11) and then pushing down the battery lever (10) until it clicks into place.

**Use**

**Warning!** Let the appliance work at its own pace. Do not overload.

**Charging the battery (fig. J - L)**

**Note:** Charge the battery before first use.

The battery can either be removed from the mower for charging or can be charged while in place.

- ◆ Release the bail bar (3) to turn the lawnmower off, wait until the blade stops and remove the safety key (1).
- ◆ Align the green (+) and white (-) connectors and insert the charger plug (20) into the receptacle (22) on the mower or remove the battery and insert the charger plug (20) into the receptacle (21) on the battery.
- ◆ The charger connector (20) can only be plugged into the mower receptacle one way.
- ◆ Insert the 240 Volt plug of the charger into a mains power socket (fig. L).
- ◆ The red light (26) on the charger (24) will come on to indicate that the battery is being charged. If the red light is not on, check that the charger connector is aligned correctly.
- ◆ When charging is complete the red light (26) will go off and the green light will come on.

It will take approximately 16 hours to charge a fully discharged battery.

It is recommended to leave the battery on permanent charge between uses for optimum performance during the mowing season.

The charger supplied with this product is intended to be plugged in such that it is correctly orientated in a vertical or floor mount position.

**State of charge indicator (fig. K)**

The battery is fitted with a state of charge indicator. This can be used to display the current level of charge in the battery during use.

- ◆ Press the state of charge indicator button (23).

**Safety key**

Remove the safety key:

- ◆ Whenever leaving the appliance unattended.
- ◆ Before cleaning a blockage.
- ◆ Before checking, cleaning or working on the appliance.
- ◆ After striking a foreign object.
- ◆ Whenever the appliance starts vibrating abnormally.

**Switching on and off**

**Warning!** Sharp moving blade. Never attempt to override the operation of this switch and safety key system as a serious injury could result.

**Switching on (fig. M)**

- ◆ Insert the safety key (1) fully into the switch housing.
- ◆ Push the button (27) on the side of the switch housing.
- ◆ Pull the blade bail bar (3) toward the handle bar (5).

**Switching off (fig. M)**

◆ To turn the lawnmower off, release the blade bail bar (3). When the bail bar (3) has returned to the original position it will activate the automatic braking mechanism. The motor is electrically braked and the lawnmower blade will stop rotating in 3 seconds or less.

**Variable speed self drive (fig. M)**

Your lawnmower is equipped with variable speed self drive. Self drive is independent from the blade On-Off switch. It can be used with or without the blade spinning. For example, when you have completed cutting your lawn, you can use the self drive to propel the mower back to your storage location without having the blade motor on.

**To operate self drive without the blade spinning:**

- ◆ Insert the safety key (1) fully into the switch housing.
- ◆ Push the self drive bail handle (2) to the handle bar (5).
- ◆ To turn the self drive off, release the self drive bail handle.

**Note** Self drive is variable speed. You can select the speed by moving the selector lever (4). As you move the selector lever forward, the speed will increase. Moving the selector lever in a reverse direction, will decrease the speed.

**To operate self drive with the blade spinning:**

- ◆ Insert the safety key (1) fully into the switch housing.
- ◆ Push the button (27) on side of switch housing, then pull the blade bail handle (3) to the handlebar (5).
- ◆ Hold the blade bail handle in place against handlebar with your right hand. Now push the self drive bail handle (2) to the handlebar (5) with your left hand.
- ◆ You can hold both bail bars simultaneously against the handlebar with your left hand.

**Note** When you turn off the self drive, for example at the end of a row, it may become temporarily locked if you pull backwards on the mower. Simply push ahead slightly and then move the mower as required.

**Note** During cutting, at times it may be easier to manoeuvre around an object, such as a tree or plants, with the self drive off. The mower can easily be used with the self drive off.

### "ON-DEMAND" mulching (fig. N & O)

The lawnmower is equipped with an On-Demand feature that allows the conversion of mulching to bagging or discharging with the turn of a knob.:

- ◆ Release the bail bar (3) to turn the lawnmower off, wait until the blade stops and remove the safety key (1).

#### Discharge Mode:

- ◆ Remove the grass catcher.
- ◆ Ensure the rear discharge door rests firmly against the deck.
- ◆ Press and turn the On-Demand knob so that it is in-line with the word "DISCHARGE" (fig N).

**Note** Your mower is now in rear discharge mode. The cut grass will be deposited below the closed door exit onto the lawn.

#### Bagging Mode:

- ◆ Install the grass catcher.
- ◆ Ensure the rear discharge door rests firmly against the top of the grass catcher.
- ◆ Press and turn the On-Demand knob so that it is in-line with the word "BAG" (see figure N).

**Note** Your mower is now in Bagging mode. To change to rear discharge mode at this point, just remove the grass catcher.

#### Mulching Mode:

- ◆ To convert to mulch mode press and turn the On-Demand knob so that it is in-line with the word "MULCH" (see figure O). Your mower is now in mulch mode.

**Note** If it becomes difficult to rotate the On-Demand knob, it may be necessary to clean out the deck chute.

- ◆ Release the blade bail handle to turn mower off and wait for the blade to come to a complete stop. Then remove safety key and battery pack.
- ◆ Hold the rear discharge door open, and clean out any debris that may be in the deck chute. Also clean the deck bottom as necessary.

### Installing the grass bag (fig. P & Q)

- ◆ Release the blade bail bar (3) to turn the lawnmower off, wait until the blade stops and remove the safety key (1).
- ◆ Open the spring-loaded rear discharge door (6) to the vertical position and hold it in the open position.

- ◆ Use the handle (29) on the grass bag (15) and install the grass bag between the mower handles.
- ◆ Position the grass bag hanger hooks on to the mower (fig Q).
- ◆ Release the rear discharge door (6).

### Hints for optimum use

Lawns should first be mowed in the spring when the grass is about 63 mm to 76 mm high. Mowing too early in the season restricts the root systems of the grass which renew themselves every spring. New grass should be mowed when it is about 63 mm high.

Do not remove too much grass blade surface at one time, never more than 1/3 of the leaf height during each cutting. Cutting too close 'shocks' sensitive grass blades, resulting in a shallow root system making it more difficult for your lawn to reach water in the soil.

Mow your lawn when it is dry to avoid clumping of wet grass. If you have a choice, late afternoon is the ideal time for mowing, not only because the grass is dry, but also because the sensitive new cut area of the grass will not be exposed to intense sunlight.

Keep the mowing blade sharp for a nice clean cut. This improves the mower's performance and enhances the look of your lawn. A dull blade shatters and bruises the tips of the grass. This impairs the healthy growth of your lawn and increases the susceptibility to turf diseases. If the grass tips are bruised it causes a brownish colour which gives your lawn an unhealthy appearance. A dull blade may also pull up young grass seedlings.

Try to mow your lawn at a consistent cutting height. While there are times when you should vary the cutting height with the changing seasons, a consistent cutting height produces a healthier, lovelier lawn with generally fewer weeds. Mow more frequently during periods of fast growth. Frequent cutting ensures that the lower, less attractive portion of the grass will not show.

If your lawn has grown too long, during a vacation for example, mow at a cutting height one or two positions higher than normal. A second pass at your usual cutting height a few days later will put your lawn back on schedule. Changing the cutting height is a simple matter with Black & Decker's One Touch Wheel Height Adjustment, which simultaneously adjusts all four wheels at once.

During the spring and autumn, or after an interruption to the cutting schedule, the grass will be longer and thicker. If the motor continually slows down while cutting, try setting the wheels for a higher cutting height. Excessive motor loading can result in uneven cutting, quicker discharge of the battery and can cause the motor to overload which stops the motor.

There are three good ways to enhance your lawn's appearance: Vary the mowing direction frequently; mow horizontally on hillsides; (this is also a good safety practice) and do not forget to overlap the mowing path on each pass.

Always mow grass so that clippings are discharged onto cut lawn. This will keep your lawn looking fresh by avoiding 'cut grass' build-up which will eventually turn brown and appear ugly. This method also preserves your battery charge, making sure that you get the most from your Black & Decker cordless power mower.

During the spring and autumn seasons when the grass is longer and thicker, you can use your mower without the battery being fully charged (ie the green charge indication light is on). This will enable you to perform short cutting tasks, however we don't recommend that this is done frequently. The battery and mower perform much better when fully charged.

### Mowing tips

**Note** Always inspect the area where the lawnmower is to be used and remove all stones, sticks, wire, bones and other debris which could be thrown by the rotating blade.

- ◆ Mow across the face of slopes, never up-and-down. Exercise extreme caution when changing direction on slopes. Do not mow excessively steep slopes. Always maintain a good footing.
- ◆ Release the bail bar (3) to turn the lawnmower off when crossing any gravel area as stones can be thrown by the rotating blade.
- ◆ Set the lawnmower at the highest cutting height when mowing in rough ground or in tall weeds. Removing too much grass at one time may cause the motor to overload which will stop the lawnmower. Refer to the troubleshooting guide.

If the grass bag (15) is used during the fast growing season, the grass may tend to clog up at the discharge opening.

- ◆ Release the bail bar (3) to turn the lawnmower off and remove the safety key (1).
- ◆ Remove the grass bag (15) and shake the grass to the back of the bag.
- ◆ Clean out any grass or debris which may be packed around the discharge opening.
- ◆ Refit the grass bag (15).

If the lawnmower starts to vibrate abnormally:

- ◆ Release the bail bar (3) immediately to turn the lawnmower off and remove the safety key (1) and the battery pack (11).
- ◆ Investigate the cause of the vibration. Vibration is a warning. Do not operate the lawnmower until a service check has been made. Refer to the troubleshooting guide in the manual.

**Note** Always release the bail bar to turn the lawnmower off and remove the safety key when leaving it unattended even for a short period of time.

The following suggestions will help you to obtain optimum run-time from your cordless mower:

- ◆ Slow down in areas where the grass is especially long or thick.
- ◆ When mulching, avoid cutting more than 38 mm of the length at any one time.
- ◆ Avoid mowing when the grass is wet.
- ◆ Cut your lawn frequently, especially during periods of high growth.

**Note** It is recommended that your lawnmower be recharged after each use. Frequent charging will not harm the battery and will make sure that the battery is fully charged.

### Mulching mowing tips

When mulching, your lawnmower is designed to cut the grass clippings into small pieces and distribute them back into the lawn. Under normal conditions, the mulched grass will biodegrade quickly to provide nutrients to the lawn.

Recommendations for optimum mulching performance:

- ◆ Avoid mowing when the grass is wet. Wet grass may form clumps which interfere with the mulching action and reduce run time. The best time to mow grass is in the afternoon when the grass is dry and the newly cut area will not be exposed to direct sunlight.
- ◆ For best mulching performance, set the cutting height to remove about one third of the grass length, ideally no more than 38 mm at one time. If the lawn is overgrown, it may be necessary to increase the cutting height to reduce the pushing effort and to prevent overloading the motor.
- ◆ For extremely heavy mulching, it is advisable to first cut at a high cutting height setting, and then cut to the final cutting height or make narrower cuts and mow slowly.

For best performance, keep the lawnmower housing free of built-up grass:

- ◆ Release the bail bar (3) to turn the lawnmower off and wait for the blade to come to a complete stop.
- ◆ Remove the safety key (1) and the battery pack (11) and turn the lawnmower on its side.
- ◆ Use a blunt scraper to remove the accumulation of grass in the blade area. Be careful of the sharp edges of the blade. Clean more often when cutting lush grass, and always after every use.

Certain types of grass or grass conditions may require that an area be mulched a second time to fully disperse the grass throughout the lawn.

If cutting a second time, it is advisable to cut perpendicular (across) the first cut pattern but do not change the cutting pattern in any way that would mean mowing downhill.

- ◆ Change your cutting pattern from week to week. This will help prevent matting of the lawn.

## Maintenance

Your Black & Decker corded/cordless appliance/tool has been designed to operate over a long period of time with a minimum of maintenance. Continuous satisfactory operation depends upon proper tool/appliance care and regular cleaning. Your charger does not require any maintenance apart from regular cleaning.

**Warning!** Before performing any maintenance on corded/cordless power tools:

- ◆ Switch off and unplug the appliance/tool.
- ◆ Or switch off and remove the battery from the appliance/tool if the appliance/tool has a separate battery pack.
- ◆ Or run the battery down completely if it is integral and then switch off.
- ◆ Unplug the charger before cleaning it. Your charger does not require any maintenance apart from regular cleaning.
- ◆ Regularly clean the ventilation slots in your tool/appliance and charger using a soft brush or dry cloth.
- ◆ Regularly clean the motor housing using a damp cloth. Do not use any abrasive or solvent-based cleaner.
- ◆ Regularly use a blunt scraper to remove grass and dirt from the underneath of the guard.

## Removing and installing the blade (fig. R & S)

**Warning!** Do not touch the blade before the safety key has been removed and the blades have come to a complete stop.

- ◆ Release the bail bar (3) to turn mower off, wait for the blade to stop and remove the safety key (1).
- ◆ Cut a piece of wood (approximately 50 mm x 100 mm x 600 mm long) to use to keep the blade from turning while removing the flange nut.
- ◆ Turn the mower on its side.

**Warning!** Wear gloves and proper eye protection. Be careful of the sharp edges of the blade.

- ◆ Position the wood (32) and remove the flange nut (30) with a 19 mm wrench (31) (fig. R).
- ◆ Remove the square metal blade spacer (37), the square plastic blade insulator (33) and the blade (34) (fig. S). Examine the blade insulator (35) for damage and replace if necessary.

When fitting the blade, make sure that the grass side of the blade will face the ground when the mower is returned to its normal upright position.

- ◆ After installing the blade, place the blade insulator (35) on the blade such that the raised lips on one side engage with the edges of the blade (34).
- ◆ Install the blade spacer (36) so that it sits inside the raised lips on the other side of the blade insulator (35). Be sure to align the flats in the hole of the blade spacer (36) with the flats of the shaft, rotating the blade and blade insulator together as necessary.

- ◆ Position the piece of wood (32) to keep the blade from turning (fig. R).
- ◆ Install the flange nut (30) with the flange against the square metal blade spacer (37) and tighten.

## Blade sharpening (fig. T)

Keep the blade sharp for best performance. A dull blade does not cut grass cleanly or mulch properly.

**Warning!** Always make sure that the safety key is removed.

**Warning!** Wear proper eye protection while removing, sharpening and installing a blade.

Sharpening the blade twice during a mowing season is usually sufficient under normal circumstances. Sand causes the blade to dull quickly. If your lawn has sandy soil more frequent sharpening may be required.

- ◆ Replace bent or damaged blades immediately.

## When sharpening the blade:

- ◆ Make sure that the blade remains balanced.
- ◆ Sharpen the blade at the original cutting angle.
- ◆ Sharpen the cutting edges on both ends of the blade, removing equal amounts of material from both ends.

## To sharpen a blade in a vice (fig. T)

- ◆ Release the bail bar (3) to turn the lawnmower off and wait for the blade to come to a complete stop.
- ◆ Remove the safety key (1) and the battery pack (11) and turn the lawnmower on to its side.
- ◆ Remove the blade (34) from the mower, see the instructions for removing and installing blades.

**Warning!** Wear proper eye protection and gloves and be careful of the sharp edges of the blade.

- ◆ Put the blade (34) in a vice.
- ◆ Carefully file the cutting edges of the blade with a fine tooth file or a sharpening stone, maintaining the original cutting edge.
- ◆ Check the balance of the blade, see the instructions for blade balancing.
- ◆ Install the blade (34) on the mower and tighten securely, see the instructions for removing and installing blades.

## Blade balancing (fig. U)

- ◆ Check the balance of the blade by putting the centre hole in the blade on to a nail or a round shank screwdriver that is clamped horizontally in a vice. If either end of the blade rotates downward, file that end of the blade until the blade is balanced.

## Lubrication

No lubrication is necessary. Do not oil the wheels. They have plastic bearing surfaces which require no lubrication.

## Cleaning

- ◆ Release the bail bar (3) to turn the lawnmower off and wait for the blade to come to a complete stop.
- ◆ Remove the safety key (1).
- ◆ Use only mild soap and a damp cloth to clean the mower.
- ◆ Use a blunt tool to clean out any clippings which may have accumulated on the underside of the mower.
- ◆ After several uses, check all exposed fasteners for tightness.

## Preventing corrosion

Fertilisers and other garden chemicals contain agents which greatly accelerate the corrosion of metals. If you mow in areas where fertilisers or chemicals have been used, the mower should be cleaned immediately afterward as follows:

- ◆ Release the bail bar (3) to turn the lawnmower off and wait for the blade to come to a complete stop.
- ◆ Remove the safety key (1).
- ◆ Wipe all exposed parts with a damp cloth.

## Transporting and storage

**Warning!** The rotating blade can cause serious injury.

Release bail bar to turn mower off and remove the safety key before lifting, transporting or storing the mower. Store in a dry place.

**Note:** The mower will not be as heavy to lift if the battery pack is removed first. Do not use the latch as a lift point for the mower.

## Out of season storage

In warm climates, to ensure optimal performance it is recommended that the battery is maintained on constant charge. The battery may be stored with the charger disconnected if the following conditions are met.

- ◆ The battery is fully charged before storing.
- ◆ The average temperature of the storage location is below 10°C (50°F).

## Protecting the environment



Separate collection. This product must not be disposed of with normal household waste.

Should you find one day that your Black & Decker product needs replacement, or if it is of no further use to you, do not dispose of it with household waste. Make this product available for separate collection.



Separate collection of used products and packaging allows materials to be recycled and used again. Re-use of recycled materials helps prevent environmental pollution and reduces the demand for raw materials.

Local regulations may provide for separate collection of electrical products from the household, at municipal waste sites or by the retailer when you purchase a new product.

Black & Decker provides a facility for the collection and recycling of Black & Decker products once they have reached the end of their working life. To take advantage of this service please return your product to any authorised repair agent who will collect them on our behalf.

You can check the location of your nearest authorised repair agent by contacting your local Black & Decker office at the address indicated in this manual. Alternatively, a list of authorised Black & Decker repair agents and full details of our after-sales service and contacts are available on the Internet at: [www.2helpU.com](http://www.2helpU.com)

## Batteries



At the end of their useful life, discard batteries with due care for our environment:

- ◆ Run the battery down completely, then remove it from the tool.
- ◆ NiCd, NiMH and Li-Ion batteries are recyclable. Place the battery(s) in a suitable packaging to ensure that the terminals cannot be short-circuited. Take them to any authorised repair agent or a local recycling station.
- ◆ Do not short-circuit the battery terminals.
- ◆ Do not dispose of the battery(s) in a fire as this may result in a risk of personal injury or an Explosion.

## Technical data

		<b>GRC4736SD</b> H 1
Input Voltage	V <sub>DC</sub>	36
No-Load Speed	min <sup>-1</sup>	3300
Weight	kg	41
Battery		<b>A1236</b>
Voltage	V <sub>dc</sub>	36
Capacity	Ah	12
Type		Lead Acid
Charger		<b>905521** typ. 1</b>
Input Voltage	V <sub>AC</sub>	220 - 240
Output Voltage	V <sub>DC</sub>	36
Current	mA	800
Approx. charge time	h	16

Hand/arm weighted vibration value according to EN 786:  
= < 2.5 m/s<sup>2</sup>, uncertainty (K) = 1.5 m/s<sup>2</sup>.

L<sub>PA</sub> (sound pressure) 79 dB(A)  
uncertainty (K) = 2 dB(A)

## EC declaration of conformity

MACHINERY DIRECTIVE  
OUTDOOR NOISE DIRECTIVE



GRC4736SD

Black & Decker declares that these products described under  
"technical data" are in compliance with:  
2006/42/EC, EN 60335-1, EN 60335-2-91

2000/14/EC, Lawn Mower, L < 50cm, Annex VI,  
DEKRA Certification B.V., Utrechtseweg 310, ED Arnhem  
Netherlands  
Notified Body ID No.: 0344

Level of acoustic power according to 2000/14/EC  
(Article 12, Annex III, L ≤ 50 cm):  
L<sub>WA</sub> (measured sound power) 93 dB(A)  
uncertainty (K) = 2 dB(A)  
L<sub>WA</sub> (guaranteed sound power) 95 dB(A)  
uncertainty (K) = 2 dB(A)

These products also comply with directive 2004/108/EC and  
2011/65/EU.

For more information, please contact Black & Decker at the  
following address or refer to the back of the manual.

The undersigned is responsible for compilation of the technical  
file and makes this declaration on behalf of Black & Decker.

Kevin Hewitt  
Vice-President Global Engineering  
Black & Decker Europe, 210 Bath Road, Slough,  
Berkshire, SL1 3YD  
United Kingdom  
01-10-2009

## Guarantee

Black & Decker is confident of the quality of its products and offers an outstanding guarantee. This guarantee statement is in addition to and in no way prejudices your statutory rights. The guarantee is valid within the territories of the Member States of the European Union and the European Free Trade Area.

If a Black & Decker product becomes defective due to faulty materials, workmanship or lack of conformity, within 24 months from the date of purchase, Black & Decker guarantees to replace defective parts, repair products subjected to fair wear and tear or replace such products to ensure minimum inconvenience to the customer unless:

- ◆ The product has been used for trade, professional or hire purposes;
- ◆ The product has been subjected to misuse or neglect;
- ◆ The product has sustained damage through foreign objects, substances or accidents;
- ◆ Repairs have been attempted by persons other than authorised repair agents or Black & Decker service staff.

To claim on the guarantee, you will need to submit proof of purchase to the seller or an authorised repair agent. You can check the location of your nearest authorised repair agent by contacting your local Black & Decker office at the address indicated in this manual. Alternatively, a list of authorised Black & Decker repair agents and full details of our after-sales service and contacts are available on the Internet at: [www.2helpU.com](http://www.2helpU.com)

Please visit our website [www.blackanddecker.co.uk](http://www.blackanddecker.co.uk) to register your new Black & Decker product and to be kept up to date on new products and special offers. Further information on the Black & Decker brand and our range of products is available at [www.blackanddecker.co.uk](http://www.blackanddecker.co.uk)



## Bestimmungsgemäße Verwendung

Ihr Black & Decker Rasenmäher wurde zum Rasenmähen entwickelt. Dieses Gerät ist nicht für den gewerblichen Einsatz vorgesehen.

## Sicherheitshinweise

**Achtung!** Beachten Sie beim Umgang mit kabellosen Geräten stets die grundlegenden Sicherheitshinweise, die im Folgenden beschrieben werden. Dadurch verhindern Sie Brände, Stromschläge sowie Sach- und Personenschäden.

**Achtung!** Beachten Sie beim Verwenden des Geräts unbedingt die Sicherheitsregeln. Lesen Sie zu Ihrer eigenen Sicherheit und zum Schutz in der Nähe befindlicher Personen vor Gebrauch des Geräts die folgende Bedienungsanleitung. Heben Sie diese Anleitung zur späteren Verwendung gut auf.

- ◆ Lesen Sie diese Anleitung vollständig und aufmerksam durch, bevor Sie das Gerät verwenden.
- ◆ Der vorgesehene Verwendungszweck ist in dieser Anleitung beschrieben. Bei Verwendung von Zubehör oder Anbauteilen, die nicht in dieser Anleitung empfohlen werden, sowie bei der Verwendung des Geräts in Abweichung von den in dieser Anleitung beschriebenen Verfahren besteht Verletzungsgefahr.
- ◆ Bewahren Sie diese Anleitung auf.

## Verwendung des Geräts

Verwenden Sie das Gerät stets mit Umsicht.

- ◆ Das Gerät ist nicht für die unbeaufsichtigte Verwendung durch Kinder oder gebrechliche Personen vorgesehen.
- ◆ Das Gerät ist kein Spielzeug.
- ◆ Achten Sie darauf, dass sich im Arbeitsbereich keine Kinder oder Tiere aufhalten. Verhindern Sie, dass Kinder das Gerät oder das Netzkabel berühren.
- ◆ Seien Sie besonders vorsichtig, wenn Sie das Gerät in der Nähe von Kindern verwenden.
- ◆ Verwenden Sie das Gerät nur in trockener Umgebung. Achten Sie darauf, dass das Gerät nicht nass wird.
- ◆ Tauchen Sie das Gerät nicht in Wasser.
- ◆ Versuchen Sie nicht, das Gehäuse zu öffnen. Im Inneren befinden sich keine zu wartenden Teile.
- ◆ Betreiben Sie das Gerät nicht in explosionsgefährdeter Umgebung, in der sich brennbare Flüssigkeiten, Gase oder Staub befinden.
- ◆ Ziehen Sie niemals am Kabel, wenn Sie den Stecker aus der Steckdose ziehen möchten. Kabel und Stecker könnten sonst beschädigt werden.

## Nach dem Gebrauch

- ◆ Bewahren Sie das Gerät bei Nichtgebrauch an einem trockenen, gut belüfteten Ort außerhalb der Reichweite von Kindern auf.
- ◆ Kinder sollten keinen Zugang zu aufbewahrten Geräten haben.
- ◆ Wenn das Gerät in einem Fahrzeug transportiert oder gelagert wird, bewahren Sie es im Kofferraum oder einer geeigneten Ablage auf, damit es bei plötzlichen Geschwindigkeits- oder Richtungsänderungen nicht in Bewegung geraten kann.

## Inspektion und Reparaturen

- ◆ Prüfen Sie das Gerät vor der Verwendung auf beschädigte oder defekte Teile. Prüfen Sie, ob Teile gebrochen sind, Schalter beschädigt sind oder andere Bedingungen vorliegen, die die Funktion beeinträchtigen könnten.
- ◆ Betreiben Sie das Gerät nicht, wenn ein Teil beschädigt oder defekt ist.
- ◆ Lassen Sie beschädigte oder defekte Teile in einer Werkstatte reparieren oder austauschen.
- ◆ Ersetzen oder entfernen Sie keine Teile, für die in dieser Anleitung keine entsprechende Beschreibung enthalten ist.

## Zusätzliche Sicherheitshinweise für Rasenmäher

- ◆ Halten Sie den Rasenmäher während des Betriebs sicher mit beiden Händen fest.
- ◆ Halten Sie beide Hände in der Betriebsposition, wenn der Rasenmäher gekippt werden muss. Halten Sie beide Hände in der Betriebsposition bis der Rasenmäher wieder ordnungsgemäß auf dem Boden abgestellt wurde.
- ◆ Tragen Sie beim Rasenmähen keine Kopfhörer zum Musikhören.
- ◆ Passen Sie niemals die Höhe der Räder an, während der Motor läuft oder sich der Sicherheitsschlüssel im Schloss befindet.
- ◆ Lassen Sie den Bügelschalter los, und entfernen Sie den Sicherheitsschlüssel, um den Rasenmäher auszuschalten, wenn dieser blockiert. Warten Sie, bis das Messer zum Stillstand gekommen ist, bevor Sie versuchen, die Verstopfung zu beseitigen oder Gegenstände von der Unterseite zu entfernen.
- ◆ Halten Sie Hände und Füße vom Schnittbereich fern.
- ◆ Halten Sie das Messer scharf. Tragen Sie beim Umgang mit dem Messer des Rasenmähers stets Schutzhandschuhe.
- ◆ Überprüfen Sie ggf. den Grasfangbeutel (15) regelmäßig auf Abnutzungen und Beschädigungen. Wechseln Sie aus Sicherheitsgründen den Grasfangbeutel bei starker Abnutzung aus.
- ◆ Seien Sie besonders vorsichtig, wenn Sie den Rasenmäher wenden oder in Ihre Richtung ziehen.

- ◆ Bringen Sie Hände oder Füße nicht in die Nähe bzw. unter den Rasenmäher. Halten Sie jederzeit einen Sicherheitsabstand zur Auswurföffnung.
- ◆ Entfernen Sie Steine, Äste, Drähte, Spielzeuge, Knochen usw., die in das Messer geraten könnten, aus dem Bereich, in dem der Rasenmäher verwendet wird. Objekte, die in das Messer geraten, können ernsthafte Verletzungen verursachen. Bleiben Sie hinter dem Griff, wenn der Motor läuft.
- ◆ Betreiben Sie den Rasenmäher weder barfuß noch mit Sandalen. Tragen Sie jederzeit festes Schuhwerk.
- ◆ Ziehen Sie den nur Rasenmäher nur rückwärts, wenn dies unbedingt erforderlich ist. Achten Sie stets auf den Boden und den Bereich hinter Ihnen, bevor und während Sie sich rückwärts bewegen.
- ◆ Achten Sie darauf, dass das Material nicht in Richtung von Personen ausgeworfen wird. Achten Sie darauf, dass das Material nicht in Richtung von Wänden oder anderen Gegenständen ausgeworfen wird. Das Material kann gegen den Bediener zurückgeschleudert werden. Lassen Sie den Bügelschalter los, und warten Sie, bis das Messer zum Stillstand gekommen ist, bevor Sie Kiesoberflächen überqueren.
- ◆ Betreiben Sie den Rasenmäher nicht ohne angebrachten und intakten Grasfangbeutel, Auswurfschutz, hinteren Schutz und andere Schutzeinrichtungen. Überprüfen Sie regelmäßig alle Schutz- und Sicherheitsvorrichtungen auf deren ordnungsgemäße Funktion. Ersetzen Sie beschädigte Schutz- und Sicherheitsvorrichtungen vor der weiteren Verwendung.
- ◆ Lassen Sie den eingeschalteten Rasenmäher niemals unbeaufsichtigt. Entfernen Sie stets den Sicherheitsschlüssel, wenn Sie den Rasenmäher unbeaufsichtigt lassen.
- ◆ Lassen Sie stets den Bügelschalter los, warten Sie, bis das Messer zum Stillstand gekommen ist, und entfernen Sie den Sicherheitsschlüssel, wenn Sie den Rasenmäher reinigen, den Grasfangbeutel entfernen, Verstopfungen aus der Auswurföffnung beseitigen, den Rasenmäher unbeaufsichtigt lassen bzw. Anpassungen vornehmen oder Reparaturen und Inspektionen ausführen.
- ◆ Betreiben Sie den Rasenmäher nur bei Tageslicht oder bei ausreichender Beleuchtung, sodass Gegenstände auf dem Schnittweg vom Betriebsbereich des Rasenmähers aus deutlich sichtbar sind.
- ◆ Betreiben Sie den Rasenmäher nicht, wenn Sie unter dem Einfluss von Drogen und Alkohol stehen bzw. müde oder krank sind. Verwenden Sie das Gerät aufmerksam und vernünftig.
- ◆ Meiden Sie gefährliche Umgebungen. Betreiben Sie den Rasenmäher nicht in feuchtem oder nassem Gras. Verwenden Sie den Rasenmäher keinesfalls im Regen. Achten Sie auf Trittsicherheit. Betreiben Sie das Gerät nur im Gehen, nie rennend.
- ◆ Lassen Sie den Bügelschalter los, warten Sie, bis das Messer zum Stillstand gekommen ist, und entfernen Sie den Sicherheitsschlüssel, wenn Sie ungewöhnliche Vibrationen des Rasenmähers bemerken, und prüfen Sie die Ursache. Im Allgemeinen deutet Vibration auf ein Problem hin. Im Fall einer ungewöhnlichen Vibration des Geräts finden Sie unter „Problembhebung“ weitere Informationen.
- ◆ Tragen Sie beim Betreiben des Rasenmähers stets geeigneten Augen- und Atemschutz.
- ◆ Der Gebrauch von Zubehörteilen oder Zusätzen, die nicht für den Gebrauch mit dem Rasenmäher empfohlen werden, kann gefährlich sein. Verwenden Sie nur von Black & Decker genehmigtes Zubehör.
- ◆ Beugen Sie sich nicht zu weit nach vorne, wenn Sie den Rasenmäher betreiben. Achten Sie während des Betriebs des Rasenmähers stets auf Ihre Standfestigkeit und Ihr Gleichgewicht.
- ◆ Mähen Sie stets parallel zum Hang, nie den Hang hinauf oder hinunter. Arbeiten Sie mit äußerster Vorsicht, wenn Sie an Hängen die Richtung wechseln.
- ◆ Achten Sie auf Löcher, Wurzeln, Bodenebenheiten, Steine und andere verborgene Objekte. Unebenes Gelände kann zu Unfällen durch Stürze führen. Hohes Gras kann Hindernisse verbergen.
- ◆ Mähen Sie nie nasses Gras. Mähen Sie nicht an steilen Hängen. Mangelnde Standfestigkeit kann zu Unfällen durch Stürze führen.
- ◆ Mähen Sie nicht in der Nähe von Abhängen, Gräben oder Böschungen. Es besteht die Gefahr, dass Sie ausrutschen oder das Gleichgewicht verlieren.

### Sicherheit anderer Personen

- ◆ Dieses Gerät darf nicht von Personen (einschließlich Kindern) mit eingeschränkten körperlichen, sensorischen oder geistigen Fähigkeiten sowie mangelnder Erfahrung und Kenntnissen bedient werden, es sei denn, sie werden bei der Verwendung des Geräts von einer erfahrenen Person beaufsichtigt oder angeleitet.
- ◆ Kinder müssen beaufsichtigt werden, um sicherzustellen, dass sie nicht mit dem Gerät spielen.

### Restrisiken.

Für den Gebrauch dieses Geräts verbleiben zusätzliche Restrisiken, die möglicherweise nicht in den Sicherheitswarnungen genannt werden. Diese Risiken bestehen beispielsweise bei Missbrauch oder längerem Gebrauch.

Auch bei der Einhaltung der entsprechenden Sicherheitsvorschriften und der Verwendung aller Sicherheitsgeräte bestehen weiterhin bestimmte Restrisiken. Diese werden im Folgenden aufgeführt:

- ◆ Verletzungen, die durch das Berühren von sich drehenden/bewegenden Teilen verursacht werden.
- ◆ Verletzungen, die durch das Austauschen von Teilen, Messern oder Zubehör verursacht werden.
- ◆ Verletzungen, die durch längeren Gebrauch eines Geräts verursacht werden. Legen Sie bei längerem Gebrauch regelmäßige Pausen ein.
- ◆ Beeinträchtigung des Gehörs.
- ◆ Gesundheitsrisiken durch das Einatmen von Staub bei Verwendung des Geräts (z. B. bei Holzarbeiten, insbesondere Eiche, Buche und MDF).

## Warnsymbole

Am Gerät sind die folgenden Warnsymbole angebracht:



**Achtung!** Lesen Sie die Bedienungsanleitung vor Inbetriebnahme.



Schützen Sie das Gerät vor Feuchtigkeit und Regen.



Vorsicht: das Messer ist scharf.

Entfernen Sie stets den Sicherheitsschlüssel, bevor Sie den Rasenmäher reinigen, den Grasfangbeutel entfernen, Verstopfungen aus der Auswurföffnung beseitigen, den Rasenmäher unbeaufsichtigt lassen bzw. Anpassungen vornehmen oder Reparaturen und Inspektionen ausführen.



Achten Sie auf Gegenstände, die eventuell umhergeschleudert werden. Halten Sie andere Personen vom Arbeitsbereich fern.



Tragen Sie eine Schutzbrille.



Das Messer dreht sich auch nach dem Ausschalten des Geräts weiter.



Garantierter Schalldruckpegel gemäß Richtlinie 2000/14/EG.

## Zusätzliche Sicherheitshinweise für Akkus und Ladegeräte

### Akkus

- ◆ Auf keinen Fall öffnen.
- ◆ Achten Sie darauf, dass der Akku nicht mit Wasser in Berührung kommt.
- ◆ Setzen Sie den Akku keinen hohen Temperaturen aus.
- ◆ Nicht bei Temperaturen über 40 °C lagern.
- ◆ Laden Sie den Akku nur bei Umgebungstemperaturen von 10 °C bis 40 °C.
- ◆ Verwenden Sie ausschließlich das mit dem Gerät gelieferte Ladegerät. Das Verwenden des falschen Ladegeräts kann zu einem Stromschlag oder dem Überhitzen des Akkus führen.
- ◆ Bei der Entsorgung von Akkus oder Batterien die Hinweise im Abschnitt "Umweltschutz" beachten.
- ◆ Der Akku darf nicht durch mechanische Krafteinwirkung oder Belastungen beschädigt oder verformt werden. Andernfalls besteht Verletzungs- und Brandgefahr.
- ◆ Laden Sie beschädigte Akkus nicht auf.
- ◆ Unter extremen Bedingungen können Akkus undicht werden. Wenn Sie feststellen, dass aus dem Akku Flüssigkeit austritt, wischen Sie diese vorsichtig mit einem Tuch ab. Vermeiden Sie Hautkontakt.
- ◆ Beachten Sie nach Haut- oder Augenkontakt die folgenden Hinweise.

**Achtung!** Batteriesäure kann Sach- oder Personenschäden verursachen. Spülen Sie die Säure nach Hautkontakt sofort mit Wasser ab. Suchen Sie einen Arzt auf, wenn sich auf der Haut Rötungen, Reizungen oder andere Irritationen zeigen. Spülen Sie das Auge nach Augenkontakt sofort mit sauberem Wasser aus, und suchen Sie einen Arzt auf.

Versuchen Sie nie, beschädigte Akkus aufzuladen.



### Ladegeräte

Das Ladegerät ist für eine bestimmte Spannung ausgelegt.

Stellen Sie sicher, dass die Netzspannung der auf dem Typenschild des Geräts angegebenen Spannung entspricht.

**Achtung!** Ersetzen Sie das Ladegerät keinesfalls durch ein normales Netzkabel.

- ◆ Verwenden Sie das Black & Decker Ladegerät nur für den Akku des Geräts, mit dem es geliefert wurde. Andere Akkus können platzen und Sachschäden oder Verletzungen verursachen.
- ◆ Versuchen Sie keinesfalls, nicht aufladbare Batterien zu laden.
- ◆ Ist das Netzkabel beschädigt, muss es durch den Hersteller oder eine Black & Decker Vertragswerkstatt ausgetauscht werden, um eine mögliche Gefährdung zu vermeiden.
- ◆ Achten Sie darauf, dass das Ladegerät nicht mit Wasser in Berührung kommt.
- ◆ Versuchen Sie nicht, das Ladegerät zu öffnen.
- ◆ Nehmen Sie am Ladegerät keine Veränderungen vor.
- ◆ Während das Gerät/der Akku geladen wird, muss auf ausreichende Belüftung geachtet werden.



Das Ladegerät darf nur im Innenbereich verwendet werden.



Vor Gebrauch die Anleitung lesen.

### Elektrische Sicherheit



Das Ladegerät ist schutzisoliert, daher ist keine Erdleitung erforderlich. Stellen Sie sicher, dass die Netzspannung der auf dem Typenschild des Geräts angegebenen Spannung entspricht. Ersetzen Sie das Ladegerät keinesfalls durch ein normales Netzkabel.

- ◆ Ist das Netzkabel beschädigt, muss es durch den Hersteller oder eine Black & Decker Vertragswerkstatt ausgetauscht werden, um eine mögliche Gefährdung zu vermeiden.

### Merkmale

Dieses Gerät verfügt über einige oder alle der folgenden Merkmale:

1. Sicherheitsschlüssel
2. Bügelschalter
3. Bügelgriff für die Fahrautomatik
4. Geschwindigkeitshebel
5. Griff
6. Gefederte Hecktür
7. GriffEinstellungsregler
8. Griffbefestigungsschrauben
9. Akkuklemme
10. Akkuverriegelungshebel
11. Abnehmbarer Akku
12. Mulch - Bedarfsregler
13. Hebel zur Einstellung der Schnitthöhe
14. Schnitthöhenanzeige
15. Grasfangbeutel

### Montage

**Achtung!** Vergewissern Sie sich vor der Montage, dass das Gerät ausgeschaltet ist und der Netzstecker gezogen wurde.

### Auspacken (Abb. A & B)

**Achtung!** Einklemmgefahr – Kommen Sie mit Ihren Fingern nicht zwischen den Griff und die Verpackung.

- ◆ Schneiden Sie die dem Griff gegenüberliegende Seite des Kartons vorsichtig auf, und klappen Sie die Klappe wie in der Abbildung nach unten.
- ◆ Entfernen Sie anschließend den Pappeinsatz, das Ladegerät, den Zubehörbeutel sowie den Grasfangbeutel, und schieben Sie den Rasenmäher aus dem geöffneten Karton.

**Achtung!** Scharfes, bewegliches Messer. Halten Sie Körperteile vom Messer fern.

### Griffmontage (Abb. C)

Werkzeuge für die Montage, nicht im Lieferumfang enthalten: Einstellbarer oder 13 mm-Schlüssel:

- ◆ Setzen Sie den Griff (5) so auf die Führung (16) auf, dass die Löcher am Griff mit den Löchern der Führung ausgerichtet sind. Die GriffEinstellungsregler (7) passen auf die oberen Löcher der seitlichen Führungsplatte (16).
- ◆ Führen Sie die Griffbefestigungsschrauben (8) durch die Löcher des Griffs (5), und schrauben Sie sie in die Platte (16). Wiederholen Sie diesen Vorgang vor dem Festziehen der Schrauben auf der anderen Seite.

- ◆ Ziehen Sie die Griffbefestigungsschrauben (8) sicher fest. Verwenden Sie hierfür einen einstellbaren oder 13 mm-Schlüssel.
- ◆ Stellen Sie mit dem Regler zur GriffEinstellung die gewünschte Griffhöhe ein. Bewegen und verwenden Sie den Rasenmäher erst, wenn der Griff richtig am Rasenmäher befestigt und gesichert ist.

**Achtung!** Einklemmgefahr – Kommen Sie mit Ihren Fingern nicht zwischen den Griff (5) und die Führungsplatten (16).

### Anpassen des Griffs (Abb. D)

Ihr Rasenmäher verfügt über eine Funktion zum Anpassen der Griffhöhe. Gehen Sie folgendermaßen vor, um die Stellung des Griffs an Ihre Körpergröße anzupassen:

- ◆ Halten Sie den Griff (5) mit einer Hand, ziehen Sie einen GriffEinstellungsregler (7) heraus, und drehen Sie diesen. Durch eine Vierteldrehung löst sich der Stift aus der Metallplattenöffnung.
- ◆ Wiederholen Sie diesen Vorgang auf der anderen Seite. Der Griff (5) kann jetzt in eine andere Höhe gebracht werden.
- ◆ Bringen Sie den Griff in die gewünschte Höheneinstellung.
- ◆ Ziehen Sie einen GriffEinstellungsregler (7) heraus, und drehen Sie ihn um eine Vierteldrehung, um den Stift wieder in das Loch der Metallplatte einzusetzen. Wiederholen Sie diesen Vorgang auf der anderen Seite.

### Montieren des Grasfangbeutels (Abb. E & F)

- ◆ Ziehen Sie den Grasfangbeutel (15) über den Rahmen (17).
- ◆ Befestigen Sie die oberen Clips des Grasfangbeutels am Rahmen.
- ◆ Befestigen Sie die beiden seitlichen Clips und anschließend den unteren Clip am Rahmen.

### Anpassen der Radhöhen (Abb. G und H)

Ihr Rasenmäher verfügt über das Black & Decker One-Touch-System zur Radhöhenanpassung. Mit diesem System wird die Höhe aller vier Räder gleichzeitig eingestellt.

Der Rasenmäher verfügt über sieben Höhenanpassungsstellungen für das Messer (38 mm bis 39 mm). Diese werden mithilfe der Skala und dem Zeiger an der Vorderseite des Rasenmähers dargestellt. Der Zeiger zeigt die Schnitthöheneinstellung für den Rasen an. Diese Einstellung kann als Referenz verwendet werden, wenn Sie Ihren Rasen beim nächsten Mähen auf dieselbe Höhe zuschneiden möchten.

- ◆ Lassen Sie den Bügelschalter (3) los, um den Rasenmäher auszuschalten, warten Sie, bis das Messer zum Stillstand gekommen ist, und entfernen Sie den Sicherheitsschlüssel (1).
- ◆ Legen Sie Ihre Handfläche auf die Handflächenauflage (18), ziehen Sie mit den Fingern den Fingergriff (19) nach oben, und halten Sie diesen in dieser Stellung, um die Schnitthöhe zu erhöhen bzw. zu verringern.
- ◆ Stellen Sie die gewünschte Schnitthöhe ein, während Sie den Fingergriff (19) festhalten. Die Schnitthöhenanzeige zeigt die aktuelle Einstellung an (Abb. H).
- ◆ Ist die gewünschte Höhe erreicht, halten Sie diese mit der linken Hand auf dem unteren rechten Hauptgriff, und lassen Sie den Fingergriff (19) los, um die Höhenanpassung zu verriegeln.

**Hinweis:** Drücken Sie nach dem Loslassen des Fingergriffs auf die Handflächenauflage, um sicherzustellen, dass der Rasenmäher sicher in einer der Höheneinstellungen verriegelt ist.

### Einsetzen und Entfernen des Akkus (Abb. I & K)

Der Akku (11) kann zum Lagern/Laden aus dem Rasenmäher entfernt werden oder im Gerät geladen werden.

#### Vor dem Entfernen des Akkus:

- ◆ Stellen Sie den Rasenmäher auf einer ebenen Fläche ab.
- ◆ Lassen Sie den Bügelschalter (3) los, um den Rasenmäher auszuschalten, warten Sie, bis das Messer zum Stillstand gekommen ist, und entfernen Sie den Sicherheitsschlüssel (1).

#### So entfernen Sie den Akku:

- ◆ Ziehen Sie den Akkuverriegelungshebel (10) nach oben, um die Akkuklemme (9) zu lösen, und ziehen Sie diese anschließend vom Akku weg. Ziehen Sie den Akku aus dem Gerät.

#### So setzen Sie den Akku ein:

Achten Sie vor dem Einsetzen des Akkus darauf, dass der Rasenmäher frei von Verschmutzungen und der Ladestecker (20) vom Akku (11) getrennt ist.

- ◆ Schieben Sie den Akku in den Rasenmäher. (Der Akku kann nur in einer Richtung eingesetzt werden.)
- ◆ Ziehen Sie die Akkuklemme (9) über den Rand des Akkus (11), und drücken Sie dann den Akkuverriegelungshebel (10), bis er einrastet, um den Akku im Rasenmäher zu sichern.

## Gebrauch

**Achtung!** Beschleunigen Sie den Arbeitsvorgang nicht mit Gewalt. Vermeiden Sie eine Überlastung des Geräts.

### Laden des Akkus (Abb. J - L)

**Hinweis:** Laden Sie den Akku vor der erstmaligen Verwendung auf.

Der Akku kann zum Laden aus dem Rasenmäher entfernt oder im Gerät geladen werden.

- ◆ Lassen Sie den Bügelschalter (3) los, um den Rasenmäher auszuschalten, warten Sie, bis das Messer zum Stillstand gekommen ist, und entfernen Sie den Sicherheitsschlüssel (1).
- ◆ Stecken Sie den Ladestecker (20) so in die Buchse (22) des Rasenmähers ein, dass die grünen (+) und weißen (-) Pole übereinstimmen, oder entfernen Sie den Akku und stecken Sie den Ladestecker (20) in die Buchse (21) des Akkus ein.
- ◆ Der Ladestecker (20) kann nur in einer Stellung in die Rasenmäherbuchse eingesteckt werden.
- ◆ Stecken Sie den 240 Volt-Stecker des Ladegeräts in eine Netzsteckdose ein (Abb. L).
- ◆ Die rote Leuchte (26) am Ladegerät (24) zeigt an, dass der Akku geladen wird. Überprüfen Sie, ob der Ladestecker richtig angebracht ist, wenn die rote Leuchte nicht aufleuchtet.
- ◆ Nach dem vollständigen Laden des Akkus geht die rote Leuchte (26) aus, und die grüne Leuchte leuchtet auf.

Das Laden eines vollständig entladenen Akkus dauert ca. 16 Stunden.

Es wird empfohlen, den Akku zwischen den Einsätzen des Geräts vollständig geladen zu halten, um während der Mäh-saison stets die optimale Leistung zu erzielen.

Das mit diesem Produkt gelieferte Ladegerät muss so eingesteckt werden, dass es sich entweder in einer aufrechten Stellung befindet oder auf dem Boden aufliegt.

### Ladestatusanzeige (Abb. K)

Der Akku verfügt über eine Ladestatusanzeige. Mithilfe dieser Anzeige kann während des Betriebs und während des Ladevorgangs der aktuelle Ladestand des Akkus überprüft werden.

- ◆ Drücken Sie die Taste der Ladestatusanzeige (23).

## Sicherheitsschlüssel

Entfernen Sie den Sicherheitsschlüssel:

- ◆ Wenn das Gerät unbeaufsichtigt gelassen wird.
- ◆ Bevor Blockaden entfernt werden.
- ◆ Vor dem Überprüfen, Reinigen oder Warten des Geräts.
- ◆ Nach dem Überfahren eines Fremdkörpers.
- ◆ Wenn das Gerät ungewöhnlich stark zu vibrieren beginnt.

## Ein- und Ausschalten

**Achtung!** Scharfes, bewegliches Messer. Versuchen Sie niemals, die Funktion dieses Schalters und des Sicherheitsschlüsselsystems zu manipulieren, da dies ernsthafte Verletzungen zur Folge haben kann.

### Einschalten (Abb. M)

- ◆ Stecken Sie den Sicherheitsschlüssel (1) in das Schloss.
- ◆ Drücken Sie die Taste (27) an der Seite des Schlosses.
- ◆ Ziehen Sie den Bügelschalter (3) in Richtung des Griffs (5).

### Ausschalten (Abb. M)

- ◆ Lassen Sie zum Ausschalten des Rasenmähers den Bügelschalter (3) los.

Nachdem der Bügelschalter (3) in die ursprüngliche Stellung zurückgekehrt ist, wird der automatische Bremsmechanismus aktiviert. Der Motor wird elektronisch gebremst, und das Messer des Rasenmähers kommt innerhalb von 3 Sekunden zum Stillstand.

## Geschwindigkeitsregler für die Fahrautomatik (Abb. M)

Ihr Rasenmäher verfügt über einen Geschwindigkeitsregler für die Fahrautomatik. Die Fahrautomatik funktioniert unabhängig vom Ein-/Ausschalter des Messers. Sie ist verfügbar, unabhängig davon, ob das Messer rotiert oder nicht. Sie können die Fahrautomatik z. B. nutzen, um den Rasenmäher nach dem Rasenmähen zum Aufbewahrungsort zu fahren, ohne dass der Messermotor läuft.

### Einschalten der Fahrautomatik ohne Rotation des Messers:

- ◆ Stecken Sie den Sicherheitsschlüssel (1) in das Schloss.
- ◆ Drücken Sie den Bügelschalter für die Fahrautomatik (2) zum Griff (5).
- ◆ Lassen Sie zum Ausschalten der Fahrautomatik den Bügelschalter für die Fahrautomatik los.

**Hinweis** Die Geschwindigkeit der Fahrautomatik ist variabel. Sie können die Geschwindigkeit einstellen, in dem Sie den Wählhebel (4) bewegen. Wenn Sie den Wählhebel nach vorne drücken, erhöht sich die Geschwindigkeit. Wenn Sie den Wählhebel nach hinten bewegen, verringert sich die Geschwindigkeit.

#### **Einschalten der Fahrautomatik mit Rotation des Messers:**

- ◆ Stecken Sie den Sicherheitsschlüssel (1) in das Schloss.
- ◆ Drücken Sie die Taste (27) an der Seite des Schlosses, und ziehen Sie dann den Bügelschalter (3) zum Griff (5).
- ◆ Halten Sie mit der rechten Hand den Bügelschalter am Griff fest. Drücken Sie nun den Bügelschalter für die Fahrautomatik (2) mit der linken Hand zum Griff (5).
- ◆ Sie können beide Bügelschalter gleichzeitig gegen den Griff mit Ihrer linken Hand halten.

**Hinweis** Wenn Sie die Fahrautomatik z. B. am Ende einer Bahn ausschalten, kann sie vorübergehend verriegelt werden, wenn Sie den Rasenmäher rückwärts ziehen. Drücken Sie den Rasenmäher einfach leicht nach vorne, und positionieren Sie ihn wie gewünscht.

**Hinweis** Manchmal ist das Rasenmähen mit ausgeschalteter Fahrautomatik einfacher, z. B. um Objekte wie Bäume oder Pflanzen zu umfahren. Der Rasenmäher kann auch mit ausgeschalteter Fahrautomatik einfach bedient werden.

#### **Mulchen "Bei Bedarf" (Abb. N & O)**

Der Rasenmäher verfügt über einen Regler, mit dem bei Bedarf von Mulchen auf Abfüllen oder Entleeren umgestellt werden kann.

- ◆ Lassen Sie den Bügelschalter (3) los, um den Rasenmäher auszuschalten, warten Sie, bis das Messer zum Stillstand gekommen ist, und entfernen Sie den Sicherheitsschlüssel (1).

#### **Entleerungsmodus:**

- ◆ Entfernen Sie den Grasfangkorb.
- ◆ Stellen Sie sicher, dass die hintere Entleerungsklappe fest geschlossen ist.
- ◆ Drücken und drehen Sie den Regler auf "DISCHARGE" (ENTLEEREN) (Abb. N).

**Hinweis** Ihr Rasenmäher ist nun im Entleerungsmodus. Das geschnittene Gras wird unterhalb der Öffnung der geschlossenen Tür auf dem Rasen abgelegt.

#### **Abfüllmodus:**

- ◆ Bringen Sie den Grasfangkorb an.
- ◆ Stellen Sie sicher, dass die hintere Entleerungsklappe fest an den Rand des Grasfangkorbs anschließt.
- ◆ Drücken und drehen Sie den Regler auf "BAG" (ABFÜLLEN) (siehe Abb. N).

**Hinweis** Ihr Rasenmäher ist nun im Abfüllmodus. Um in den Entleerungsmodus zu wechseln, entfernen Sie den Grasfangkorb.

#### **Mulchen-Modus:**

- ◆ Um in den Mulchen-Modus zu wechseln, drücken und drehen Sie den Regler auf "MULCH" (siehe Abb. O). Ihr Rasenmäher ist nun im Mulchen-Modus.

**Hinweis** Wenn sich der Regler nicht oder nur schwer drehen lässt, muss möglicherweise der obere Schacht gereinigt werden.

- ◆ Lassen Sie den Bügelschalter los, um den Rasenmäher auszuschalten, und warten Sie, bis das Messer vollständig zum Stillstand gekommen ist. Entfernen Sie dann den Sicherheitsschlüssel und den Akku.
- ◆ Halten Sie die hintere Entleerungsklappe geöffnet, und entfernen Sie den Schmutz aus dem oberen Schacht. Reinigen Sie bei Bedarf auch unterhalb des Schachts.

#### **Anbringen des Grasfangbeutels (Abb. P & Q)**

- ◆ Lassen Sie den Bügelschalter (3) los, um den Rasenmäher auszuschalten, warten Sie, bis das Messer zum Stillstand gekommen ist, und entfernen Sie den Sicherheitsschlüssel (1).
- ◆ Öffnen Sie die gefederte hintere Entleerungsklappe (6) senkrecht nach oben, und halten Sie diese geöffnet.
- ◆ Bringen Sie den Grasfangbeutel (15) mithilfe des Griffs (29) zwischen den Griffen des Rasenmähers an.
- ◆ Platzieren Sie die Haken zum Aufhängen des Grasfangbeutels auf dem Rasenmäher (Abb. Q).
- ◆ Lassen Sie die hintere Entleerungsklappe (6) los.

#### **Hinweise für optimale Arbeitsergebnisse**

Rasenflächen sollten erstmals im Frühjahr gemäht werden, wenn das Gras zwischen 63 mm und 76 mm hoch ist. Wenn der Rasen zu früh gemäht wird, kann dies das Wurzelsystem beschädigen, das im Frühjahr neu austreibt. Frisches Gras sollte gemäht werden, wenn es etwa 63 mm hoch ist.

Entfernen Sie pro Mähvorgang höchstens ein Drittel der Länge des Grases. Wenn zuviel Gras abgeschnitten wird, kann dies die Wurzeln beschädigen und die Wasseraufnahme des Rasens beeinträchtigen.

Mähen Sie trockene Rasenflächen, um das Verklumpen von feuchtem Gras zu vermeiden. Der Spätnachmittag ist die beste Zeit zum Rasenmähen, da das Gras trocken ist und frisch gemähte Flächen keiner intensiven Sonneneinstrahlung ausgesetzt werden.

Halten Sie das Mähmesser scharf, um ein sauberes Schnittergebnis zu erzielen. Dies steigert die Leistung des Rasenmähers und verbessert das Erscheinungsbild des Rasens. Ein stumpfes Messer verursacht unansehnliche Grasspitzen. Dies beeinträchtigt das natürliche Wachstum des Rasens und erhöht die Empfindlichkeit für Rasenkrankheiten. Wenn die Grasspitzen beschädigt werden, erhält der Rasen eine bräunliche Farbe und ein ungesundes Erscheinungsbild. Durch ein stumpfes Messer können außerdem junge Graskeime ausgerissen werden.

Versuchen Sie, den Rasen auf eine einheitliche Länge zu mähen. Die Schnitthöhe sollte ggf. an die wechselnden Jahreszeiten angepasst werden. Jedoch sorgt eine einheitliche Schnitthöhe für einen gesünderen, ansehnlicheren Rasen mit weniger Unkraut. Mähen Sie öfter, wenn das Gras rasch wächst. Durch regelmäßiges Mähen wird sichergestellt, dass der untere, weniger ansehnliche Teil des Rasens verborgen bleibt.

Mähen Sie Ihren Rasen mit einer Schnitthöhe, die ein bis zwei Einstellungen über der gewohnten Höhe liegt, wenn der Rasen zu hoch gewachsen ist, beispielsweise während eines Urlaubs. Sie können den Rasen einige Tage später mit der gewohnten Einstellung erneut mähen. Mit der Black & Decker One Touch-Radhöhenanpassung, mit der die Höhe aller vier Räder gleichzeitig angepasst wird, ist das Einstellen der Schnitthöhe eine einfache Angelegenheit.

Im Frühjahr und im Herbst oder nach einer längeren Unterbrechung beim Mähen, ist das Gras länger und dicker. Stellen Sie die Räder auf eine höhere Schnitthöhe ein, wenn sich der Motor während des Mähens wiederholt verlangsamt. Eine übermäßige Motorbelastung kann einen ungleichmäßigen Schnitt, ein schnelleres Entladen des Akkus und eine Überlastung des Motors, bei der der Motor abgeschaltet wird, zur Folge haben.

Im Folgenden finden Sie drei Tipps zur Verschönerung Ihres Rasens: Wechseln Sie regelmäßig die Mährichtung, mähen Sie quer zu Abhängen (auch zu Ihrer Sicherheit) und achten Sie darauf, dass sich die Mähbahnen überschneiden.

Mähen Sie den Rasen stets so, dass das geschnittene Gras auf bereits gemähte Flächen ausgeworfen wird. Dadurch erhält Ihr Rasen ein frisches Erscheinungsbild, da sich kein geschnittenes Gras „auftürmen“ kann, das braun wird und unschön aussieht. Mit dieser Methode sparen Sie außerdem Akkuleistung und erzielen mit Ihrem kabellosen Rasenmäher von Black & Decker stets ein optimales Ergebnis.

Wenn das Gras im Frühjahr und Herbst länger und dicker ist, können Sie den Rasenmäher auch mit unvollständig geladenem Akku verwenden (d. h. wenn die grüne Ladeleuchte leuchtet). Sie können so kürzere Mähvorgänge durchführen. Es wird jedoch nicht empfohlen, regelmäßig auf diese Weise vorzugehen. Der Akku und der Rasenmäher sind leistungsfähiger, wenn der Akku vollständig geladen ist.

### Tipps für das Rasenmähen

**Hinweis** Kontrollieren Sie stets den Bereich, in dem der Rasenmäher verwendet werden soll, und entfernen Sie Steine, Äste, Drähte, Knochen usw., die in das Messer geraten könnten.

- ◆ Mähen Sie stets parallel zum Hang, nie den Hang hinauf oder hinunter. Gehen Sie mit äußerster Vorsicht vor, wenn Sie an Hängen die Richtung wechseln. Mähen Sie nicht an steilen Hängen. Achten Sie auf Trittsicherheit.
- ◆ Lassen Sie den Bügelschalter (3) los, um den Rasenmäher auszuschalten, wenn Sie Bereiche mit Kies überqueren, da durch das rotierende Messer Steine umhergeschleudert werden können.
- ◆ Stellen Sie den Rasenmäher auf die größtmögliche Schnitthöhe ein, wenn Sie unebene Flächen oder hohes Gras mähen. Wenn zu viel Gras auf einmal entfernt wird, kann dies eine Überlastung des Motors zur Folge haben und den Rasenmäher zum Stillstand bringen. Weitere Informationen finden Sie unter "Problembehebung".

Wenn der Grasfangbeutel (15) bei hohem Gras verwendet wird, verfängt sich das Gras möglicherweise in der Auswurföffnung.

- ◆ Lassen Sie den Bügelschalter (3) los, um den Rasenmäher auszuschalten, und entfernen Sie den Sicherheitsschlüssel (1).
- ◆ Entfernen Sie den Grasfangbeutel (15), und schütteln Sie das Gras in den Boden des Grasfangbeutels.
- ◆ Entfernen Sie Gras und Verschmutzungen aus dem Bereich der Auswurföffnung.
- ◆ Bringen Sie den Grasfangbeutel (15) wieder an.

Wenn der Rasenmäher ungewöhnlich stark zu vibrieren beginnt:



- ◆ Lassen Sie den Bügelschalter (3) sofort los, um den Rasenmäher auszuschalten, und entfernen Sie den Sicherheitsschlüssel (1) und den Akku (11).
- ◆ Ermitteln Sie den Grund für die Vibration. Vibration deutet auf ein Problem hin. Betreiben Sie den Rasenmäher nicht mehr, bis eine Wartung durchgeführt wurde. Weitere Informationen finden Sie in dieser Anleitung unter "Problembhebung".

**Hinweis** Lassen Sie den Bügelschalter stets los, um den Rasenmäher auszuschalten, und entfernen Sie den Sicherheitsschlüssel, wenn Sie den Rasenmäher (auch kurzfristig) unbeaufsichtigt lassen.

Mithilfe der folgenden Vorschläge erzielen Sie optimale Betriebszeiten des kabellosen Rasenmähers:

- ◆ Arbeiten Sie in Bereichen mit besonders langem oder dickem Gras langsam.
- ◆ Schneiden Sie beim Mulchen nicht mehr als 38 mm auf einmal.
- ◆ Mähen Sie kein feuchtes Gras.
- ◆ Mähen Sie den Rasen regelmäßig, besonders in Zeiten starken Wachstums.

**Hinweis** Es wird empfohlen, den Rasenmäher nach jedem Gebrauch aufzuladen. Der Akku wird durch regelmäßiges Laden nicht beschädigt, und Sie stellen auf diese Weise sicher, dass der Akku stets vollständig geladen ist.

## Tipps zum Mulchen

Beim Mulchen wird das geschnittene Gras vom Rasenmäher feingehäckselt und wieder auf dem Rasen verteilt. In der Regel wird das gemulchte Gras rasch zersetzt und düngt den Rasen.

Empfehlungen für optimales Mulchen:

- ◆ Mähen Sie kein feuchtes Gras. Feuchtes Gras kann verklumpen und somit das Mulchen beeinträchtigen und die Leistung reduzieren. Mähen Sie das Gras möglichst am Nachmittag, wenn es trocken ist und die gemähte Fläche nicht direkter Sonneneinstrahlung ausgesetzt ist.
- ◆ Stellen Sie die Schnitthöhe so ein, dass etwa ein Drittel der Graslänge und je Mähvorgang nicht mehr als 38 mm abgeschnitten werden, um den Rasen optimal zu mulchen. Wenn das Gras zu hoch gewachsen ist, muss möglicherweise die Schnitthöhe erhöht werden, damit der Rasenmäher einfacher geschoben werden kann und eine Überlastung des Motors verhindert wird.
- ◆ Um den Rasen besonders stark zu mulchen, wird empfohlen, mit einer hohen Schnitthöheneinstellung zu beginnen und anschließend mit der endgültigen Schnitthöhe zu arbeiten bzw. schmalere Streifen langsam zu mähen.

Halten Sie das Gehäuse des Rasenmähers frei von angesammeltem Gras, um optimale Ergebnisse zu erzielen:

- ◆ Lassen Sie den Bügelschalter (3) los, um den Rasenmäher auszuschalten, und warten Sie, bis das Messer vollständig zum Stillstand gekommen ist.
- ◆ Entfernen Sie den Sicherheitsschlüssel (1) und den Akku (11), und kippen Sie den Rasenmäher auf die Seite.
- ◆ Entfernen Sie angesammeltes Gras mit einem stumpfen Schaber aus dem Messerbereich. Achten Sie auf die scharfen Messerklingen. Reinigen Sie das Gerät beim Schneiden von üppigem Gras häufiger, und reinigen Sie es nach jedem Gebrauch.

Je nach Art und Zustand des Grases muss ein Bereich möglicherweise ein zweites Mal gemulcht werden, um das Gras vollständig auf dem Rasen zu verteilen.

Für einen zweiten Mähvorgang wird empfohlen, diesen quer zum ersten Mähen durchzuführen. Mähen Sie jedoch keinesfalls hangabwärts.

- ◆ Wechseln Sie das Mähmuster wöchentlich. Dies schützt den Rasen.

## Wartung

Ihr Black & Decker Gerät (mit und ohne Netzkabel) wurde im Hinblick auf eine lange Lebensdauer und einen möglichst geringen Wartungsaufwand entwickelt. Ein dauerhafter, einwandfreier Betrieb setzt eine regelmäßige Pflege und Reinigung voraus.

Das Ladegerät benötigt keine Wartung, es sollte jedoch regelmäßig gereinigt werden.

**Achtung!** Vor dem Ausführen jeglicher Wartungsarbeiten an Geräten mit und ohne Netzkabel:

- ◆ Schalten Sie das Gerät aus, und ziehen Sie den Netzstecker.
- ◆ Wenn das Gerät über einen separaten Batteriepack oder Akku verfügt, schalten Sie das Gerät ab, und entnehmen Sie die Batterien aus dem Gerät.
- ◆ Wenn der Akku integriert ist, entladen Sie diesen vor dem Abschalten vollständig.
- ◆ Ziehen Sie das Ladegerät aus der Netzsteckdose, bevor Sie es reinigen. Das Ladegerät benötigt keine Wartung, es sollte jedoch regelmäßig gereinigt werden.
- ◆ Reinigen Sie regelmäßig die Lüftungsschlitze des Geräts und des Ladegeräts mit einer weichen Bürste oder einem trockenen Tuch.

- ◆ Reinigen Sie das Motorgehäuse regelmäßig mit einem feuchten Tuch. Verwenden Sie keine scheuernden Reinigungsmittel oder Reinigungsmittel auf Lösungsmittelbasis.
- ◆ Entfernen Sie mit einem stumpfen Schaber regelmäßig Gras und Erde von der Unterseite der Schutzvorrichtung.

### Entfernen und Anbringen des Messers (Abb. R & S)

**Achtung!** Berühren Sie das Messer keinesfalls, bevor Sie den Sicherheitsschlüssel entfernt haben und das Messer vollständig zum Stillstand gekommen ist.

- ◆ Lassen Sie den Bügelschalter (3) los, um den Rasenmäher auszuschalten, warten Sie, bis das Messer zum Stillstand gekommen ist, und entfernen Sie den Sicherheitsschlüssel (1).
- ◆ Schneiden Sie ein Stück Holz (ca. 50 mm x 100 mm x 600 mm) zu, um mit diesem das Drehen des Messers beim Entfernen der Flanschmutter zu verhindern.
- ◆ Kippen Sie den Rasenmäher auf die Seite.

**Achtung!** Tragen Sie Handschuhe und eine geeignete Schutzbrille. Achten Sie auf die scharfen Messerklingen.

- ◆ Setzen Sie das Holzstück (32) ein, und entfernen Sie die Flanschmutter (30) mit einem Schraubenschlüssel (19 mm) (31) (Abb. R).
- ◆ Entfernen Sie den quadratischen Abstandhalter für das Messer aus Metall (37), die quadratische Plastikisolierung für das Messer (33) und das Messer (34) (Abb. S). Prüfen Sie die Messerisolation (35) auf eventuelle Beschädigungen, und ersetzen Sie diese ggf.

Achten Sie beim Anbringen des Messers darauf, dass die Grasseite des Messers nach unten weist, wenn der Rasenmäher sich wieder in der normalen, aufrechten Stellung befindet.

- ◆ Plazieren Sie nach dem Anbringen des Messers die Messerisolation (35) so, dass die Lamellen der einen Seite die Kanten des Messers (34) umschließen.
- ◆ Bringen Sie den Abstandhalter für das Messer (36) so an, dass sich dieser zwischen den Lamellen auf der anderen Seite der Messerisolation (35) befindet. Achten Sie darauf, die Flächen in den Aussparungen des Abstandhalters für das Messer (36) mit den Flächen am Schaft des Messers auszurichten, indem Sie ggf. das Messer und die Isolation des Messers drehen.
- ◆ Verwenden Sie das Holzstück (32), um das Drehen des Messers zu verhindern (Abb. R).
- ◆ Bringen Sie die Flanschmutter (30) mit dem Flansch in Richtung des quadratischen Abstandhalters für das Messer aus Metall (37) an, und ziehen Sie diese fest.

### Schärfen des Messers (Abb. T)

Halten Sie das Messer scharf, um stets eine optimale Leistung zu erzielen. Mit einem stumpfen Messer kann weder ordnungsgemäß gemäht noch gemulcht werden.

**Achtung!** Vergewissern Sie sich stets, dass der Sicherheitsschlüssel entfernt wurde.

**Achtung!** Tragen Sie beim Entfernen, Schärfen und Anbringen des Messers eine geeignete Schutzbrille.

In der Regel ist es ausreichend, das Messer während der Mähseason zweimal zu schärfen. Sand führt dazu, dass das Messer rasch stumpf wird. Wenn Ihr Rasen einen sandigen Untergrund aufweist, muss das Messer möglicherweise häufiger geschärft werden.

- ◆ Ersetzen Sie verbogene oder beschädigte Messer umgehend.

### Beim Schärfen des Messers:

- ◆ Stellen Sie sicher, dass das Messer gleichmäßig bleibt.
- ◆ Schärfen Sie das Messer im ursprünglichen Schnittwinkel.
- ◆ Schärfen Sie beide Enden des Messers, und entfernen Sie an beiden Enden die gleiche Menge Material.

### So schärfen Sie ein Messer in einem Schraubstock (Abb. T)

- ◆ Lassen Sie den Bügelschalter (3) los, um den Rasenmäher auszuschalten, und warten Sie, bis das Messer vollständig zum Stillstand gekommen ist.
- ◆ Entfernen Sie den Sicherheitsschlüssel (1) sowie den Akku (11), und kippen Sie den Rasenmäher auf die Seite.
- ◆ Entfernen Sie das Messer (34) vom Rasenmäher. Weitere Informationen finden Sie unter "Entfernen und Anbringen des Messers".

**Achtung!** Tragen Sie eine geeignete Schutzbrille und Handschuhe. Achten Sie auf die scharfen Schneiden des Messers.

- ◆ Befestigen Sie das Messer (34) in einem Schraubstock.
- ◆ Schärfen Sie die Schneiden des Messers vorsichtig mit einer feinen Feile oder einem Schleifstein. Behalten Sie den ursprünglichen Schnittwinkel bei.
- ◆ Überprüfen Sie die Balance des Messers. Beachten Sie die Anweisungen unter "Ausbalancieren des Messers".
- ◆ Bringen Sie das Messer (34) am Rasenmäher an, und ziehen Sie dieses sicher fest. Weitere Informationen finden Sie unter "Entfernen und Anbringen des Messers".

## Ausbalancieren des Messers (Abb. U)

- ◆ Prüfen Sie die Balance des Messers, indem Sie das Mittelloch des Messers auf einen Nagel oder einen horizontal in einer Zwinde befestigten Schraubendreher stecken. Wenn sich eines der Enden des Messers nach unten bewegt, feilen Sie dieses Ende ab, bis das Messer ausbalanciert ist.

## Schmieren

Schmieren ist nicht erforderlich. Ölen Sie die Räder nicht. Die Räder verfügen über Kunststofflager, die nicht geschmiert werden müssen.

## Reinigung

- ◆ Lassen Sie den Bügelschalter (3) los, um den Rasenmäher auszuschalten, und warten Sie, bis das Messer vollständig zum Stillstand gekommen ist.
- ◆ Entfernen Sie den Sicherheitsschlüssel (1).
- ◆ Reinigen Sie den Rasenmäher ausschließlich mit milder Seifenlösung und einem angefeuchteten Tuch.
- ◆ Verwenden Sie ein stumpfes Werkzeug, um geschnittenes Gras von der Unterseite des Rasenmähers zu entfernen.
- ◆ Überprüfen Sie nach mehrmaligem Gebrauch, ob alle Befestigungen fest angezogen sind.

## Verhindern von Rost

Düngemittel und andere in Gärten verwendete Chemikalien enthalten Stoffe, die das Rosten von Metallen stark beschleunigen. Wenn Sie Flächen mähen, auf denen Düngemittel oder Chemikalien verwendet wurden, sollten Sie den Rasenmäher nach dem Gebrauch unmittelbar wie folgt reinigen:

- ◆ Lassen Sie den Bügelschalter (3) los, um den Rasenmäher auszuschalten, und warten Sie, bis das Messer vollständig zum Stillstand gekommen ist.
- ◆ Entfernen Sie den Sicherheitsschlüssel (1).
- ◆ Wischen Sie alle offenliegenden Teile mit einem feuchten Tuch ab.

## Transport und Aufbewahrung

**Achtung!** Das sich drehende Messer kann ernsthafte Verletzungen verursachen. Lassen Sie den Bügelschalter los, um den Rasenmäher auszuschalten, und entfernen Sie den Sicherheitsschlüssel, bevor Sie den Rasenmäher anheben, transportieren oder lagern. Lagern Sie das Gerät an einem trockenen Ort.

**Hinweis:** Der Rasenmäher ist leichter, wenn der Akku entfernt wird. Heben Sie den Rasenmäher nicht an der Klappe an.

## Lagerung außerhalb der Saison

In warmem Klima wird empfohlen, den Akku vollständig geladen zu halten, um stets die optimale Leistung zu erzielen.

Der Akku kann mit ausgestecktem Ladegerät gelagert werden, wenn die folgenden Bedingungen erfüllt sind.

- ◆ Der Akku wird vor dem Lagern vollständig aufgeladen.
- ◆ Die durchschnittliche Lagertemperatur beträgt weniger als 10°C (50°F).

## Umweltschutz



Getrennte Entsorgung. Dieses Produkt darf keinesfalls mit dem Hausmüll entsorgt werden.

Sollten Sie Ihr Black & Decker Produkt eines Tages ersetzen oder nicht mehr benötigen, entsorgen Sie es nicht mit dem Hausmüll. Führen Sie das Produkt einer getrennten Sammlung zu.



Durch die getrennte Sammlung von ausgedienten Produkten und Verpackungsmaterialien können Rohstoffe recycelt und wiederverwendet werden. Die Wiederverwendung aufbereiteter Materialien trägt zur Vermeidung der Umweltverschmutzung bei und senkt den Rohstoffbedarf.

Die Verordnung zur Abfallentsorgung Ihrer Gemeinde sieht möglicherweise vor, dass Elektrogeräte getrennt vom Hausmüll gesammelt, an der örtlichen Abfallentsorgungseinrichtung abgegeben oder beim Kauf eines neuen Produkts vom Fachhandel zur Entsorgung angenommen werden müssen.

Black & Decker nimmt Ihre ausgedienten Black & Decker Geräte gern zurück und sorgt für eine umweltfreundliche Entsorgung bzw. Wiederverwertung. Um diese Dienstleistung in Anspruch zu nehmen, geben Sie das Gerät bitte bei einer autorisierten Reparaturwerkstatt ab, die für uns die Einsammlung übernimmt.

Die Adresse der zuständigen Niederlassung von Black & Decker steht in dieser Anleitung. Dort teilt man Ihnen gerne die nächstgelegene Vertragswerkstatt mit. Eine Liste der Vertragswerkstätten und aller Kundendienststellen von Black & Decker sowie der zuständigen Ansprechpartner finden Sie auch im Internet unter: [www.2helpU.com](http://www.2helpU.com)

## Akkus



Denken Sie bei der Entsorgung von verbrauchten Batterien/Akkus an die Umwelt.

- ◆ Entladen Sie den Akku vollständig, und entfernen Sie ihn dann aus dem Gerät.
- ◆ NiCd-, NiMH- und Lithium-Ionen-Akkus sind recycelbar. Verpacken Sie die Akkus in einem geeigneten Behälter, sodass die Akkukontakte nicht kurzgeschlossen werden können. Bringen Sie die Batterien oder Akkus zu einer autorisierten Vertragswerkstatt oder zu einer Rücknahmesstelle in Ihrer Nähe.
- ◆ Achten Sie darauf, dass die Akkukontakte bzw. Batterieanschlüsse nicht kurzgeschlossen werden.
- ◆ Werfen Sie die Akkus nicht ins Feuer, da dies Verletzungen oder eine Explosion zur Folge haben kann.

## Technische Daten

		<b>GRC4736SD</b> H 1
Eingangsspannung	$V_{DC}$	36
Leerlaufdrehzahl	$\text{min}^{-1}$	3300
Gewicht	kg	41
Akku		<b>A1236</b>
Spannung	$V_{dc}$	36
Kapazität	Ah	12
Typ		Bleisäure
Ladegerät		<b>905521** Typ 1</b>
Eingangsspannung	$V_{AC}$	220 - 240
Ausgangsspannung	$V_{DC}$	36
Stromstärke	mA	800
Ungefähre Ladezeit	Std.	16

Gewichteter Hand-/Arm-Vibrationswert nach DIN EN 786:

= < 2.5  $\text{m/s}^2$  , Unsicherheitsfaktor (K) = 1.5  $\text{m/s}^2$ .

$L_{PA}$  (Schalldruck) 79 dB(A)

Unsicherheitsfaktor (K) = 2 dB(A)

## EG-Konformitätserklärung

MASCHINENRICHTLINIE

AUSSENLAUTSTÄRKERICHTLINIE



GRC4736SD

Black & Decker erklärt, dass die unter "Technische Daten" beschriebenen Geräte übereinstimmen mit:  
2006/42/EG, EN 60335-1, EN 60335-2-91

2000/14/EG, Rasenmäher, L < 50 cm, Annex VI,  
DEKRA Certification B.V., Utrechtseweg 310, ED Arnhem  
Netherlands

Gemeldet unter ID-Nr.: 0344

$L_{WA}$  (gemessene Schalleistung) 93 dB(A)

Unsicherheitsfaktor (K) = 2 dB(A)

$L_{WA}$  (garantierte Schalleistung) 95 dB(A)

Unsicherheitsfaktor (K) = 2 dB(A)

Diese Produkte entsprechen außerdem der Richtlinie  
2004/108/EG & 2011/65/EU.

Weitere Informationen erhalten Sie von Black & Decker unter  
der folgenden Adresse. Diese befindet sich auch auf der  
Rückseite dieser Anleitung.

Der Unterzeichnete ist verantwortlich für die Zusammenstel-  
lung der technischen Daten und gibt diese Erklärung im  
Namen von Black & Decker ab.

Kevin Hewitt

Vice-President Global Engineering  
Black & Decker Europe, 210 Bath Road, Slough,  
Berkshire, SL1 3YD  
Großbritannien  
01-10-2009

## Garantie

Black & Decker vertraut auf die Qualität der eigenen Geräte und bietet dem Käufer eine außergewöhnliche Garantie. Diese Garantiezusage versteht sich unbeschadet der gesetzlichen Gewährleistungsansprüche und schränkt diese keinesfalls ein. Sie gilt in sämtlichen Mitgliedstaaten der Europäischen Union und der Europäischen Freihandelszone EFTA.

Tritt innerhalb von 24 Monaten ab Kaufdatum an einem Gerät von Black & Decker ein auf Material- oder Verarbeitungsfehler zurückzuführender Mangel auf, garantiert Black & Decker den Austausch defekter Teile, die Reparatur von Geräten mit üblichem Verschleiß bzw. den Austausch eines mangelhaften Gerätes, ohne den Kunden dabei mehr als unbedingt nötig in Anspruch zu nehmen, allerdings vorbehaltlich folgender Ausnahmen:

- ◆ wenn das Gerät gewerblich, beruflich oder im Verleihgeschäft benutzt wurde;
- ◆ wenn das Gerät missbräuchlich verwendet oder mit mangelnder Sorgfalt behandelt wurde;
- ◆ wenn das Gerät durch irgendwelche Fremdeinwirkung beschädigt wurde;
- ◆ wenn ein unbefugter Reparaturversuch durch anderes Personal als das einer Vertragswerkstatt oder des Black & Decker Kundendienstes unternommen wurde.

Zur Inanspruchnahme dieser Garantie ist dem Verkäufer bzw. der Vertragswerkstatt ein Kaufnachweis vorzulegen. Die Adresse der zuständigen Niederlassung von Black & Decker steht in dieser Anleitung. Dort teilt man Ihnen gerne die nächstgelegene Vertragswerkstatt mit. Eine Liste der Vertragswerkstätten und aller Kundendienststellen von Black & Decker sowie der zuständigen Ansprechpartner finden Sie auch im Internet unter: [www.2helpU.com](http://www.2helpU.com)

Bitte besuchen Sie unsere Website [www.blackanddecker.de](http://www.blackanddecker.de), um Ihr neues Black & Decker Produkt zu registrieren. Dort erhalten Sie auch Informationen über neue Produkte und Sonderangebote. Weitere Informationen über die Marke Black & Decker und unsere Produkte finden Sie unter [www.blackanddecker.de](http://www.blackanddecker.de).

## Utilisation

Votre tondeuse Black & Decker est conçue pour tondre l'herbe. Elle est destinée à une utilisation exclusivement domestique.

## Consignes de sécurité

**Attention !** De simples précautions sont à prendre pour l'utilisation d'appareil sans fil. Les conseils suivants doivent toujours être appliqués, ceci afin de réduire le risque d'incendie, d'électrotraumatisme, de blessures et de dommages matériels.

**Attention !** Les consignes de sécurité doivent être respectées pendant l'utilisation. Pour votre propre sécurité et pour celle des personnes autour, lisez ces instructions avant d'utiliser l'outil. Veuillez conserver les instructions pour un usage ultérieur.

- ◆ Lisez attentivement et entièrement le manuel avant d'utiliser l'appareil.
- ◆ Ce manuel décrit la manière d'utiliser cet outil. L'utilisation d'un accessoire ou d'une fixation, ou bien l'utilisation de cet appareil à d'autres fins que celles recommandées dans ce manuel d'instruction peut présenter un risque de blessures.
- ◆ Gardez ce manuel pour référence ultérieure.

## Utilisation de votre appareil

Prenez toutes les précautions nécessaires pour utiliser l'appareil.

- ◆ Cet appareil n'est pas destiné à être utilisé par des personnes jeunes ou déficientes sans surveillance.
- ◆ Cet appareil ne doit pas être utilisé comme jouet.
- ◆ Ne laissez pas les enfants ou les animaux s'approcher de la zone de travail ou toucher l'appareil ou le fil électrique.
- ◆ Les enfants doivent être surveillés avec attention s'ils se trouvent près de l'appareil pendant l'utilisation.
- ◆ Il doit toujours être utilisé dans des endroits secs et en aucun cas être mouillé.
- ◆ Ne plongez pas l'appareil dans l'eau.
- ◆ N'ouvrez pas le boîtier. Il n'y a aucune pièce réparable par l'utilisateur à l'intérieur.
- ◆ N'utilisez pas l'appareil dans un environnement présentant des risques d'explosion, ni en présence de liquides, gaz ou poussières inflammables.
- ◆ Pour limiter le risque d'endommagement des prises et des fils électriques, ne débranchez jamais l'appareil en tirant sur le câble.

## Après l'utilisation

- ◆ Quand il n'est pas utilisé, l'appareil doit être rangé dans un endroit suffisamment aéré, sec et hors de portée des enfants.
- ◆ Les enfants ne doivent pas avoir accès aux appareils rangés.
- ◆ Quand l'appareil est rangé ou transporté dans un véhicule, il doit être installé dans le coffre ou correctement calé pour éviter les mouvements dus aux changements de direction ou de vitesse.

## Vérification et réparations

- ◆ Avant l'utilisation, vérifiez si l'appareil est en bon état ou si aucune pièce ne manque. Recherchez des pièces cassées, des boutons endommagés et d'autres anomalies susceptibles de nuire au bon fonctionnement de l'appareil.
- ◆ N'utilisez pas l'appareil si une pièce est endommagée ou défectueuse.
- ◆ Faites réparer ou remplacer les pièces défectueuses ou endommagées par un réparateur agréé.
- ◆ Ne tentez jamais de retirer ou de remplacer des pièces autres que celles citées dans ce manuel.

## Consignes de sécurité supplémentaires pour l'utilisation des tondeuses

- ◆ Tenez fermement la tondeuse avec les deux mains lorsqu'elle est en marche.
- ◆ Si pour une raison quelconque, la tondeuse doit être inclinée, maintenez les deux mains en position sur la poignée pendant l'inclinaison. Elles doivent rester dans cette position jusqu'à ce que la tondeuse soit de nouveau au sol.
- ◆ Ne portez jamais d'écouteurs pour tondre.
- ◆ N'essayez jamais de régler une hauteur de roue quand le moteur tourne ou quand la clé de sécurité est enclenchée.
- ◆ Si la tondeuse cale, relâchez la barre de déclenchement pour arrêter la tondeuse. Attendez que la lame s'arrête et retirez la clé de sécurité avant d'essayer de dégager l'accumulation d'herbe ou de nettoyez le dessous.
- ◆ Éloignez vos mains et vos pieds des zones de coupe.
- ◆ Maintenez les lames aiguisées. Portez toujours des gants de protection pour manipuler la lame.
- ◆ Si vous utilisez le sac de ramassage (15), vérifiez régulièrement son état. Si l'usure est excessive, remplacez-le.
- ◆ Prenez toutes les précautions nécessaires quand vous retournez ou tirez vers vous la tondeuse.
- ◆ Ne posez pas vos mains ou vos pieds à côté ou sous la tondeuse. Gardez en permanence l'ouverture d'évacuation propre.

- ◆ Éliminez les cailloux, les bâtons, les jouets, les os, etc ... qui risqueraient de se coincer dans la lame. Les objets coincés dans la lame peuvent provoquer des blessures graves. Restez derrière la tondeuse lorsque le moteur est en marche.
  - ◆ La tondeuse ne doit pas être utilisée si vous portez des sandales ou si vous êtes pieds nus. Portez toujours des chaussures fermées.
  - ◆ N'utilisez la tondeuse en marche arrière qu'en cas de nécessité absolue. Verrouillez toujours la tondeuse avant de l'utiliser en marche arrière.
  - ◆ N'éliminez jamais le contenu du sac de ramassage en direction d'une personne. Évitez d'évacuer le contenu du sac de ramassage sur un mur. Il pourrait y avoir un effet de ricochet. Relâchez la barre de déclenchement pour arrêter la tondeuse et la lame quand vous passez sur une surface de graviers.
  - ◆ N'utilisez jamais la tondeuse sans sac de ramassage, protection d'évacuation, protection arrière ou autres dispositifs de sécurité en place et en bon état. Vérifiez régulièrement que le fonctionnement de toutes les protections et de tous les dispositifs de sécurité est approprié. Si une protection ou un dispositif de sécurité est endommagé, remplacez-le avant de continuer.
  - ◆ Ne laissez jamais une tondeuse tourner sans surveillance. Retirez toujours la clé de sécurité si la tondeuse doit rester sans surveillance.
  - ◆ Relâchez toujours la barre de déclenchement pour arrêter le moteur. Attendez que la lame soit complètement arrêtée et retirez la clé de sécurité avant de nettoyer la tondeuse, de retirer le sac de ramassage, de nettoyer la protection d'évacuation quand la tondeuse est à l'arrêt ou avant de faire un réglage, une réparation ou une vérification.
  - ◆ N'utilisez la tondeuse que de jour ou avec un bon éclairage artificiel. Les objets doivent être visibles sur la zone à tondre.
  - ◆ N'utilisez pas la tondeuse lorsque vous êtes fatigué, malade ou après avoir consommé de l'alcool ainsi que des médicaments. Restez vigilant, surveillez ce que vous faites. Faites preuve de bon sens quand vous utilisez la tondeuse.
  - ◆ Évitez les environnements dangereux. N'utilisez jamais la tondeuse quand l'herbe est humide, ou sous la pluie. Gardez toujours un rythme de marche. Ne courez pas.
  - ◆ Si la tondeuse commence à vibrer de façon anormale, relâchez la barre de déclenchement, attendez que la lame s'arrête et retirez la clé de sécurité, puis recherchez immédiatement d'où vient le problème. Les vibrations sont généralement un avertissement, consultez le guide de dépannage pour obtenir des conseils en cas de vibrations anormales.
  - ◆ Portez toujours des lunettes de protection et un masque pour utiliser la tondeuse.
  - ◆ L'utilisation d'accessoires ou de fixations non recommandés pour cette tondeuse peut être dangereuse. N'utilisez que des accessoires homologués Black & Decker.
  - ◆ Adoptez une position confortable. Gardez une position stable et maintenez votre équilibre en permanence.
  - ◆ Ne travaillez jamais de haut en bas. Prenez toutes les précautions nécessaires quand vous changez de direction dans la pente.
  - ◆ Faites attention aux trous, bosses, pierres ou autres objets cachés. Un terrain irrégulier peut provoquer des risques de glissement et de chute. L'herbe haute peut cacher les obstacles.
  - ◆ Ne tondez pas sur l'herbe mouillée ou sur des pentes excessivement raides. Des chaussures inappropriées peuvent provoquer des risques de glissement et de chute.
  - ◆ Ne tondez pas à côté de fossés ou de talus. Vous pourriez perdre votre équilibre.
- ### Sécurité des personnes
- ◆ Cet appareil ne doit pas être utilisé par des personnes (y compris les enfants) ayant des déficiences physiques, mentales ou sensorielles. Cette consigne s'applique aussi aux personnes manquant d'expérience et de connaissance du matériel, à moins que celles-ci n'aient reçu les instructions appropriées ou qu'elles ne soient encadrées par une personne responsable de leur sécurité pour utiliser l'outil.
  - ◆ Pour éviter que les enfants ne jouent avec cet appareil, ne les laissez jamais sans surveillance.
- ### Risques résiduels.
- L'utilisation d'un outil non mentionné dans les consignes de sécurité données peut entraîner des risques résiduels supplémentaires. Ces risques peuvent survenir si la machine est mal utilisée, si l'utilisation est prolongée, etc.
- Malgré l'application des normes de sécurité correspondantes et la présence de dispositifs de sécurité, les risques résiduels suivants ne peuvent être évités. Ceci comprend :
- ◆ **Les blessures dues au contact avec une pièce mobile/ en rotation.**
  - ◆ **Les blessures causées en changeant des pièces, lames ou accessoires.**
  - ◆ **Les blessures dues à l'utilisation prolongée d'un outil. Une utilisation prolongée de l'outil nécessite des pauses régulières.**
  - ◆ **Déficience auditive.**
  - ◆ **Risques pour la santé causés par l'inhalation de poussières produites pendant l'utilisation de l'outil (exemple : travail avec du bois, surtout le chêne, le hêtre et les panneaux en MDF).**

## Symboles d'avertissement

Les symboles d'avertissement suivants se trouvent sur la machine :



**Attention !** Lisez le manuel avant la mise en marche.



N'exposez pas la machine à la pluie, ni à l'humidité.



Faites attention aux lames, elles sont aiguisées. Retirez toujours la clé de sécurité avant de nettoyer la tondeuse, de retirer le sac de ramassage, de nettoyer la protection d'évacuation quand la tondeuse est à l'arrêt ou avant de faire un réglage, une réparation ou une vérification.



Attention aux projections. Éloignez toute personne des zones de coupe.



Portez des lunettes de protection.



Les lames continuent de tourner juste après l'arrêt de la machine.



Normes 2000/14/CE, puissance sonore garantie.

## Consignes de sécurité supplémentaires concernant les batteries et les chargeurs

### Batteries

- ◆ En aucun cas, n'essayez d'ouvrir l'outil.
- ◆ Ne mettez pas la batterie en contact avec l'eau.
- ◆ N'approchez pas la batterie d'une source de chaleur.
- ◆ Ne rangez pas l'appareil dans des endroits où la température peut dépasser 40 °C.
- ◆ Ne chargez qu'à température ambiante comprise entre 10 °C et 40 °C.
- ◆ N'utilisez que le chargeur fournis avec l'appareil/outil. Le non respect de cette consigne pourrait entraîner un électrotraumatisme ou une surchauffe de la batterie.
- ◆ Pour la mise au rebut des batteries, suivez les instructions données dans la section "Protection de l'environnement".
- ◆ Ne déformez/n'endommagez pas le bloc batterie en le perçant ou en le cognant, ceci pourrait entraîner des blessures et un incendie.
- ◆ Ne chargez pas les batteries endommagées.
- ◆ Dans des conditions extrêmes, une batterie peut couler. Si vous détectez une fuite, utilisez un chiffon pour essuyer le liquide avec précaution. Évitez tout contact avec la peau.
- ◆ En cas de contact avec la peau ou les yeux, suivez les instructions ci-dessous.

**Attention !** Le liquide de batterie peut provoquer des blessures ou des dommages. En cas de contact avec la peau, rincez immédiatement à l'eau. Si des rougeurs, une douleur ou une irritation se produisent, consultez un médecin. En cas de contact avec les yeux, rincez à l'eau et consultez immédiatement un médecin.

N'essayez pas de charger des batteries endommagées.



### Chargeurs

Votre chargeur doit être utilisé avec une tension spécifique.

Vérifiez toujours si la tension indiquée sur la plaque signalétique de l'appareil correspond à la tension de secteur.

**Attention !** N'essayez jamais de remplacer le chargeur par une prise secteur.

- ◆ N'utilisez votre chargeur Black & Decker que pour charger la batterie fournie avec l'appareil/outil. D'autres batteries pourraient exploser, provoquant des blessures et des dommages.



- ◆ Ne tentez jamais de recharger des batteries non rechargeables.
- ◆ Si le câble d'alimentation est endommagé, il doit être remplacé par le fabricant ou par un centre de réparation agréé Black & Decker pour éviter tout risque.
- ◆ Ne mettez pas le chargeur en contact avec l'eau.
- ◆ N'ouvrez pas le chargeur.
- ◆ Ne testez pas le chargeur.
- ◆ Pour le rechargement, placez l'appareil/outil/batterie dans un endroit correctement aéré.



Le chargeur ne peut être utilisé qu'à l'intérieur.



Lisez le manuel d'instruction avant d'utiliser l'outil.

### Sécurité électrique



Votre chargeur est doublement isolé. Par conséquent, aucun câble de terre n'est nécessaire. Vérifiez toujours si la tension indiquée sur la plaque signalétique de l'appareil correspond à la tension de secteur. N'essayez jamais de remplacer le chargeur par une prise secteur.

- ◆ Si le câble d'alimentation est endommagé, il doit être remplacé par le fabricant ou par un Centre de réparation Black & Decker agréé pour éviter tout danger.

### Caractéristiques

Cet appareil présente la totalité ou une partie des caractéristiques suivantes :

1. Clé de sécurité
2. Barre de déclenchement
3. Barre de déclenchement
4. Levier sélecteur
5. Poignée
6. Porte arrière de chargement
7. Bouton de réglage de la poignée
8. Boulons de fixation de poignée
9. Fixation de batterie
10. Levier de blocage de batterie

11. Bloc-batterie
12. Bouton de sélection mulch
13. Niveau de coupe
14. Témoin de hauteur de coupe
15. Sac de remplissage

### Assemblage

**Attention !** Avant l'assemblage, assurez-vous que l'appareil est éteint et débranché.

#### Déballage (figures A et B)

**Attention !** Pincement - pour éviter d'être pincé, éloignez les doigts de la zone entre la poignée et les plaques.

- ◆ Coupez avec précaution les côtés de l'emballage à l'opposé de la poignée et dépliez pour ouvrir comme indiqué.
- ◆ Avec le côté ouvert, retirez le matériel de protection en carton, le sac des accessoires et le sac de remplissage, puis sortez la tondeuse du carton.

**Attention !** Lames aiguisées. Éloignez toutes les parties du corps de la lame.

#### Assemblage de poignée (figure C)

Outils requis pour l'assemblage et non fournis : Clé ½" (13 mm) ou réglable :

- ◆ Placez la poignée (5) de façon à aligner les trous avec les trous de la plaque (16). Les boutons de fixation de poignée (7) s'alignent alors avec les trous du dessus de la plaque latérale (16).
- ◆ Placez les boulons de fixation de poignée (8) dans les trous de la poignée (5) et vissez-les dans la plaque (16). Avant le serrage, effectuez la même opération de l'autre côté.
- ◆ Serrez les boulons de fixation de poignée (8) fermement avec la clé réglable ou de ½" (13 mm).
- ◆ Pour régler la hauteur de la poignée, consultez le réglage de poignée. Ne poussez ou n'utilisez la tondeuse que si la poignée est correctement serrée et fixée à la tondeuse.

**Attention !** Pincement - pour éviter d'être pincé, éloignez les doigts de la zone entre la poignée (5) et les plaques (16).

#### Réglage de la poignée (figure D)

Plusieurs réglages de hauteur sont possibles sur votre tondeuse. Pour régler la position de la poignée en fonction de la hauteur désirée, utilisez la procédure suivante :

- ◆ Maintenez la poignée(5) d'une main, tirez et tournez un bouton de réglage de poignée (7) d'un quart de tour pour dégager l'axe du trou de la plaque métallique.
- ◆ Recommencez l'opération de l'autre côté. Maintenant, la poignée (5) est dégagée et une autre hauteur peut être sélectionnée.
- ◆ Placez la poignée à la hauteur désirée.
- ◆ Tirez et tournez un bouton de réglage de poignée (7) d'un quart de tour pour engager l'axe dans le trou de la plaque métallique, recommencez l'opération de l'autre côté.

### Installation du sac de remplissage (figures E et F)

- ◆ Glissez le sac de remplissage (15) sur le support (17).
- ◆ Attachez les fixations en haut du sac de remplissage sur le support.
- ◆ Attachez les deux fixations de côté sur le support, puis la fixation du bas.

### Réglage de hauteur de roues (figure G et H)

Le système de réglage "One-Touch Wheel-Height" (réglage de hauteur des 4 roues en une seule fois) Black & Decker est installé sur votre tondeuse. Ce système ajuste les quatre roues en même temps.

La tondeuse a sept positions de réglage de hauteur de lame (38 mm à 89 mm). Utilisez la pointe et le niveau de réglage à l'avant de la tondeuse. La pointe de réglage détermine la hauteur de coupe de votre pelouse. Ce réglage peut servir de référence si les prochaines tontes doivent être de même hauteur.

- ◆ Relâchez la barre de déclenchement (3) pour arrêter la tondeuse. Attendez que la lame soit arrêtée et retirez la clé de sécurité (1).
- ◆ Pour relever ou abaisser la hauteur de coupe, placez la paume de la main sur le pommeau (18) et les doigts sur l'empreinte (19).
- ◆ Avec les doigts sur l'empreinte (19), augmentez ou abaissez la hauteur de coupe, comme requis. Le témoin de hauteur indique le réglage présent (fig. H).
- ◆ Quand la tondeuse est à la hauteur requise, maintenez-la en place avec votre main gauche sur la poignée droite inférieure et retirez les doigts de l'empreinte (19) pour verrouiller la hauteur.

**Remarque :** Pour s'assurer que la tondeuse est correctement verrouillée dans une des positions de hauteur, appuyez sur le pommeau après avoir dégagé les doigts de l'empreinte.

### Installation et retrait de la batterie (figures I et K)

Le bloc-batterie (11) peut être retiré de la tondeuse pour des raisons de rangement/chargement ou laissé sur la tondeuse pour le chargement.

#### Avant de retirer la batterie :

- ◆ Placez la tondeuse sur un sol plat.
- ◆ Relâchez la barre de déclenchement (3) pour arrêter la tondeuse. Attendez que la lame soit arrêtée et retirez la clé de sécurité (1).

#### Pour retirer la batterie :

- ◆ Levez le levier de blocage (10), puis tournez-le à l'opposé du bloc-batterie pour décrocher la fixation (9). Sortez le bloc-batterie.

#### Pour installer la batterie

Avant d'installer le bloc-batterie, éliminez toute trace de débris sur la tondeuse et débranchez la prise du chargeur (20) du bloc-batterie (11).

- ◆ Glissez le bloc-batterie dans la tondeuse (la batterie ne peut être placée que dans un sens.)
- ◆ Fixez la batterie dans la tondeuse avec la fixation de batterie (9) sur le côté de la batterie (11), puis appuyez le levier de batterie (10) vers le bas jusqu'à ce qu'il s'enclenche.

### Utilisation

**Attention !** Laissez la tondeuse fonctionner à sa propre vitesse. Ne la poussez pas au-delà de sa limite.

### Chargement de la batterie (figures J - L)

**Remarque :** chargez la batterie avant la première utilisation.

Pour le chargement, la batterie peut aussi bien rester sur la tondeuse qu'être retirée.

- ◆ Relâchez la barre de déclenchement (3) pour arrêter la tondeuse, attendez que la lame soit arrêtée et retirez la clé de sécurité (1).
- ◆ Alignez le connecteur vert (+) et le connecteur blanc (-) et insérez la prise du chargeur (20) dans la prise femelle (22) sur la tondeuse ou retirez la batterie et insérez la prise du chargeur (20) dans la prise femelle (21) sur la batterie.
- ◆ La prise du chargeur (20) se branche dans la prise femelle dans un sens précis.
- ◆ Insérez la prise 240 V du chargeur dans une prise secteur (figure L)

- ◆ Le voyant rouge (26) du chargeur (24) s'allume pour indiquer que la batterie est en cours de chargement. Si le voyant rouge n'est pas allumé, vérifiez si la prise du chargeur est correctement branchée.
- ◆ Une fois la batterie complètement chargée, le voyant rouge (26) s'éteint et le voyant vert s'allume.

Si la batterie est complètement déchargée, il faudra environ 16 heures pour la recharger.

Pour un meilleur rendement, il est recommandé de toujours laisser la batterie chargée pendant la saison de tonte.

Le chargeur fourni avec cet appareil est destiné à être branché soit en position verticale, soit au sol.

### Témoin du niveau de charge (figure K)

Un témoin de charge est présent sur la batterie (figure H) Il permet d'afficher le niveau de charge de la batterie pendant l'utilisation.

- ◆ Appuyez sur le bouton du témoin de charge (23).

### Clé de sécurité

Retirez la clé de sécurité :

- ◆ Quand la machine reste sans surveillance.
- ◆ Avant de dégager les éléments qui bloquent la machine.
- ◆ Avant de vérifier, nettoyer ou réparer la machine.
- ◆ Après avoir heurté un corps étranger.
- ◆ Quand la machine commence à vibrer anormalement.

### Mise en marche et arrêt

**Attention !** Lames aiguisées. Utilisez toujours la procédure de mise en marche/arrêt appropriée avec la clé de sécurité pour éviter de graves blessures.

#### Mise en marche (figure M)

- ◆ Insérez à fond la clé de sécurité (1) dans son logement.
- ◆ Appuyez sur le bouton (27) sur le côté du logement de la clé.
- ◆ Tirez la barre de déclenchement (3) vers la poignée (5).

#### Arrêt (figures M)

- ◆ Pour arrêter la tondeuse, relâchez la barre de déclenchement (3).

Quand la barre de déclenchement (3) est de nouveau dans la position d'origine, elle active le mécanisme de freinage automatique. Le freinage est électrique et la lame de la tondeuse s'arrête de tourner en 3 secondes ou moins.

### Mode auto de variation de vitesse (figure M)

Votre tondeuse est dotée d'un mode auto de variation de vitesse. Le mode auto est indépendant du bouton marche/arrêt de lame. Il peut être utilisé que la lame tourne ou pas. Par exemple, quand vous avez terminé de tondre, vous pouvez utiliser le mode auto pour déplacer la tondeuse vers le lieu de rangement sans faire tourner le moteur de la lame.

#### Pour mettre la tondeuse en mode auto sans faire tourner la lame :

- ◆ Insérez à fond la clé de sécurité (1) dans son logement.
- ◆ Poussez la barre de déclenchement (2) du mode auto vers la poignée (5).
- ◆ Pour arrêter le mode auto, relâchez la barre de déclenchement du mode auto.

**Remarque** Le mode auto est à vitesse variable. Vous pouvez sélectionner la vitesse en déplaçant le levier sélecteur (4). En déplaçant le levier sélecteur vers l'avant, la vitesse augmente. En déplaçant le levier sélecteur vers l'arrière, la vitesse diminue.

#### Pour mettre la tondeuse en mode auto en faisant tourner la lame :

- ◆ Insérez à fond la clé de sécurité (1) dans son logement.
- ◆ Appuyez sur le bouton (27) sur le côté du logement de la clé, puis tirez la barre de déclenchement (3) sur la poignée (5).
- ◆ Avec la main droite, maintenez la barre de déclenchement contre la poignée. Puis, poussez la barre de déclenchement (2) vers la poignée (5) avec la main gauche.
- ◆ Vous pouvez maintenir les deux barres de déclenchement en même temps contre la poignée avec votre main gauche.

**Remarque** Quand vous coupez le mode auto, par exemple à la fin d'une ligne, il peut se bloquer momentanément si vous tirez la tondeuse en arrière. Poussez simplement légèrement en avant, puis déplacez la tondeuse.

**Remarque** Tout en tondant, il peut être parfois plus facile de manœuvrer autour d'un objet, comme un arbre ou des plantes, sans le mode auto. La tondeuse peut facilement être utilisée sans mode auto.

### Mulch à la demande (figures N et O)

La tondeuse est dotée d'une option de sélection à la demande. En tournant le bouton, le mulch est mis en sac ou évacué.

- ◆ Relâchez la barre de déclenchement (3) pour arrêter la tondeuse. Attendez que la lame soit arrêtée et retirez la clé de sécurité (1).

#### Mode évacuation :

- ◆ Retirez le sac de ramassage.
- ◆ Assurez-vous que la porte arrière est correctement fermée.
- ◆ Appuyez et tournez le bouton de sélection pour qu'il soit aligné avec le mot "DISCHARGE" (figure N).

**Remarque** Votre tondeuse est maintenant en mode évacuation. L'herbe coupée sera déposée sous la sortie de la porte fermée sur la pelouse.

#### Mode mise en sac :

- ◆ Installez le sac de ramassage.
- ◆ Assurez-vous que la porte arrière est correctement fermée sur le haut du sac de ramassage.
- ◆ Appuyez et tournez le bouton de sélection pour qu'il soit aligné avec le mot "BAG" (figure N).

**Remarque** Votre tondeuse est maintenant en mode mise en sac. Pour passer en mode évacuation arrière, il suffit de retirer le sac de ramassage.

#### Mode mulch :

- ◆ Pour passer en mode mulch, appuyez et tournez le bouton de sélection pour qu'il soit aligné avec le mot "MULCH" (figure O). Votre tondeuse est maintenant en mode mulch.

**Remarque** Si le bouton de sélection devient difficile à tourner, le passage d'évacuation peut avoir besoin d'être nettoyé.

- ◆ Relâchez la barre de déclenchement pour arrêter la tondeuse et attendez que la lame soit complètement arrêtée. Puis, retirez la clé de sécurité et le bloc-batterie.
- ◆ Laissez la porte arrière ouverte et éliminez tous les débris qui peuvent se trouver dans le passage d'évacuation. Nettoyez aussi le dessous.

#### Installation du sac de remplissage (figures P et Q)

- ◆ Relâchez la barre de déclenchement (3) pour arrêter la tondeuse. Attendez que la lame soit arrêtée et retirez la clé de sécurité (1).
- ◆ Ouvrez la porte arrière de chargement (6) en position verticale et maintenez-la en position ouverte.
- ◆ Utilisez la poignée (29) sur le sac de ramassage (15) et installez le sac de remplissage entre les poignées de la tondeuse.
- ◆ Fixez les crochets du sac de remplissage sur la tondeuse (figure Q).
- ◆ Dégagez la porte arrière (6).

## Conseils pour une utilisation optimale

Les pelouses doivent d'abord être tondues au printemps quand l'herbe mesure environ 63 mm à 76 mm. Tondre trop tôt dans la saison peut empêcher l'herbe de prendre racine, phénomène qui se produit chaque printemps. L'herbe nouvelle doit d'abord être tondue quand elle mesure environ 63 mm.

Ne retirez pas trop d'herbe en même temps, pas plus de 1/3 de la longueur à chaque coupe. Les coupes trop rapprochées provoquent un enracinement trop superficiel. L'herbe a donc du mal à atteindre l'eau dans le sol.

Tondez votre pelouse quand il fait sec pour éviter l'accumulation d'herbe humide. Si vous avez le choix, le meilleur moment pour tondre se situe dans l'après-midi, non seulement parce que l'herbe est sèche, mais aussi parce que la zone tondue ne se trouvera pas en plein soleil.

Maintenez les lames aiguisées pour une meilleure coupe. Ceci afin d'obtenir le meilleur rendement de la tondeuse et aussi une coupe parfaite. Des lames émoussées arrachent le haut de l'herbe. Cela empêche une pousse normale et augmente le risque de maladie. Si les bouts sont arrachés, l'herbe devient marron ce qui donne l'effet d'un gazon mal entretenu. Une lame émoussée peut aussi tirer les jeunes pousses.

Essayez de garder toujours la même hauteur de coupe. En fonction des saisons, la hauteur de coupe peut varier. Une hauteur constante produit un meilleur résultat avec en général moins de mauvaises herbes. Tondez votre pelouse fréquemment pendant les périodes de pousse rapide. Les coupes fréquentes permettront de masquer les parcelles de pelouse trop courtes.

Si votre pelouse est trop longue, pendant une période de vacances par exemple, tondez à une hauteur de une à deux positions supérieures à la normale. Un second passage à la hauteur normale dans les jours qui suivent permettra de reprendre le rythme de coupe normal. Le changement de hauteur de coupe est très facile avec le système "One Touch Wheel Height" qui ajuste en même temps les quatre roues.

En automne et au printemps, ou après une interruption du rythme de coupe, l'herbe sera plus longue et plus épaisse. Si le moteur ralentit en permanence pendant la coupe, essayez de régler les roues plus haut. Une charge excessive du moteur peut entraîner une coupe irrégulière, une décharge rapide de la batterie et peut provoquer une surcharge du moteur qui dans ce cas l'arrêterait.

Il existe trois moyens d'avoir une pelouse bien entretenue : tondez dans différentes directions, tondez en position horizontale dans les pentes (pour des questions de sécurité aussi) et n'oubliez pas de repasser sur la zone tondue.

Tondez toujours de façon à ce que les petits morceaux d'herbe soit sur la pelouse coupée. Cela permettra de garder la fraîcheur et évitera l'accumulation d'herbes qui pourrait prendre une couleur marron et donner l'impression d'un mauvais entretien. Cette méthode préserve la charge de votre batterie. Vous pouvez ainsi profiter au maximum de votre tondeuse sans fil Black & Decker.

Au printemps et en automne, quand l'herbe est longue et épaisse, vous pouvez utiliser votre tondeuse sans que la batterie ne soit complètement chargée (par ex. quand le voyant vert est allumé). Cela vous permettra de faire les coupes courtes. Malgré tout il est préférable de ne pas faire ça fréquemment. La batterie et la tondeuse fonctionnent nettement mieux quand la charge est complète.

## Conseils de tonte

**Remarque** Vérifiez toujours la zone à tondre et éliminez les cailloux, les bâtons, les jouets, les os et autres débris qui risqueraient d'être éjectés par la lame en tournant.

- ◆ Ne travaillez jamais de haut en bas. Prenez toutes les précautions nécessaires quand vous changez de direction dans la pente. Ne travaillez pas sur des pentes trop raides. Assurez-vous d'être toujours en position stable.
- ◆ Relâchez la barre de déclenchement (3) pour arrêter la tondeuse quand vous passez sur une surface de graviers. Des graviers pourraient être projetés par la lame en tournant.
- ◆ Réglez la plus haute hauteur de coupe quand la surface est accidentée ou que l'herbe est haute. Une trop grande quantité d'herbe en même temps, peut provoquer une surcharge du moteur qui aurait pour effet d'arrêter la tondeuse. Voir le Guide de dépannage.

Si le sac de remplissage (15) est utilisé pendant la saison de pousse de l'herbe, l'herbe peut avoir tendance à s'accumuler au niveau de l'ouverture.

- ◆ Relâchez la barre de déclenchement (3) pour arrêter la tondeuse et retirez la clé de sécurité (1).
- ◆ Retirez le sac de remplissage (15) et secouez l'herbe au dos du sac.
- ◆ Nettoyez l'herbe ou les débris accumulés autour de l'ouverture.
- ◆ Réinstallez le sac de remplissage (15).

Si la tondeuse commence à vibrer anormalement :

- ◆ Relâchez la barre de déclenchement (3) immédiatement pour arrêter la tondeuse, retirez la clé de sécurité (1) et le bloc-batterie (11).
- ◆ Recherchez les causes de vibrations. Les vibrations signalent un danger. Ne réutilisez pas la tondeuse avant d'avoir fait une révision. Voir le Guide de dépannage dans le manuel.

**Remarque** Relâchez toujours la barre de déclenchement pour arrêter la tondeuse et retirez la clé de sécurité si vous devez la laisser sans surveillance même pour un court instant.

Pour tondre dans les meilleures conditions, suivez les suggestions ci-après :

- ◆ Ralentissez dans les zones où l'herbe est très longue ou épaisse.
- ◆ En présence de mulch, évitez de couper plus de 38 mm de longueur en une seule fois.
- ◆ Évitez de tondre quand l'herbe est humide.
- ◆ Coupez votre pelouse fréquemment, surtout pendant les périodes de pousse.

**Note** Il est recommandé de recharger votre tondeuse après chaque utilisation. La fréquence des rechargements n'a aucun effet négatif sur la batterie. Cela permet de maintenir cette dernière toujours chargée.

## Conseils de tonte en présence de mulch

Lors du paillage, votre tondeuse peut couper les déchets de coupe en petits morceaux et les rejeter sur la pelouse. En condition normale, le mulch est rapidement biodégradable et représente une substance nutritive pour la pelouse.

Recommandations pour un paillage efficace :

- ◆ Évitez de tondre quand l'herbe est humide. L'herbe humide peut former des touffes qui bloquent le processus de paillage et limitent la durée de fonctionnement. Le meilleur moment pour tondre se situe dans l'après-midi quand l'herbe est sèche et que la zone tondue ne se trouvera pas en plein soleil.
- ◆ Pour le meilleur paillage possible, réglez la hauteur de coupe pour retirer environ un tiers de la longueur de l'herbe, si possible pas plus de 38 mm en une seule fois. Si la pelouse pousse trop vite, la hauteur de coupe peut être augmentée pour réduire l'effort et éviter une surcharge du moteur.
- ◆ Pour un paillage lourd, il est conseillé de couper d'abord sur un réglage de coupe haut, puis de couper à la hauteur finale ou de faire des coupes plus étroites et de tondre lentement.

Pour un meilleur rendement, évitez toute accumulation d'herbe dans la tondeuse :

- ◆ Relâchez la barre de déclenchement (3) pour arrêter la tondeuse et attendez que la lame soit complètement arrêtée.
- ◆ Retirez la clé de sécurité (1) et le bloc-batterie (11), puis retournez la tondeuse sur le côté.
- ◆ Utilisez un grattoir pour retirer l'herbe accumulée sur la lame. Prenez les précautions nécessaires pour nettoyer les lames. Elles sont tranchantes. Nettoyez plus souvent quand l'herbe est abondante, et toujours après l'utilisation.

Certains types d'herbe ou conditions peuvent nécessiter un second paillage pour éparpiller complètement l'herbe sur la pelouse.

Pour une seconde coupe, il est recommandé de couper perpendiculairement (en travers) au premier passage, sauf si cela signifie tondre en pente.

- ◆ Changez le plan de coupe toutes les semaines. La pelouse sera plus régulière.

## Entretien

Votre appareil/outil sans fil/avec fil Black & Decker a été conçu pour fonctionner pendant longtemps avec un minimum d'entretien. Un fonctionnement continu satisfaisant dépend d'un nettoyage régulier et d'un entretien approprié de l'appareil/outil.

Aucun entretien particulier n'est nécessaire pour le chargeur en dehors du nettoyage régulier.

**Attention !** À ne pas oublier avant l'entretien des appareils électriques sans fil/avec fil :

- ◆ Arrêtez l'appareil/outil, puis débranchez-le.
- ◆ Ou, arrêtez l'appareil et retirez la batterie de l'appareil/outil si celui-ci est muni d'un bloc-batterie séparé.
- ◆ Ou bien déchargez complètement la batterie si elle est intégrée au système, puis arrêtez l'appareil (position Off).
- ◆ Débranchez le chargeur avant de le nettoyer. Aucun entretien particulier n'est nécessaire pour le chargeur en dehors du nettoyage régulier.
- ◆ Nettoyez régulièrement les orifices de ventilation de votre appareil/outil/chargeur à l'aide d'une brosse souple ou d'un chiffon sec.
- ◆ Nettoyez régulièrement le compartiment du moteur à l'aide d'un chiffon humide. N'utilisez pas de produit abrasif ou à base de solvant.
- ◆ Utilisez régulièrement un racloir pour retirer l'herbe et les saletés sous la protection.

## Installer et retirer la lame (figures R et S)

**Attention !** Ne touchez pas la lame avant d'avoir retiré la clé de sécurité et que les lames soient complètement arrêtées.

- ◆ Retirez la barre de déclenchement (3) pour arrêter la tondeuse, attendez que la lame soit arrêtée et retirez la clé de sécurité (1).
- ◆ Coupez un morceau de bois (environ 50 mm x 100 mm x 600 mm de long) pour empêcher la lame de tourner en retirant l'écrou.
- ◆ Tournez la tondeuse sur le côté.

**Attention !** Portez toujours des gants et des lunettes de sécurité. Prenez les précautions nécessaires pour nettoyer les lames. Elles sont tranchantes.

- ◆ Placez le morceau de bois (32) (31) et retirez l'écrou (30) avec une clé de 19 mm (31) (figure R).
- ◆ Retirez la cale en métal carrée (37), l'isolation plastique carrée (33) et la lame (34) (figure S). Vérifiez l'état de la bague d'isolation (35) et changez-la, si nécessaire.

Pour monter la lame, assurez-vous que le côté de coupe de l'herbe de la lame est face au sol quand la tondeuse est remise en place.

- ◆ Après avoir installé la lame, placez la bague d'isolation (35) sur la lame de façon à ce que les bords relevés sur un côté s'enclenchent avec les côtés de la lame (34).
- ◆ Installez la cale de la lame (36) pour qu'elle se trouve à l'intérieur des bords relevés sur l'autre côté de la bague d'isolation (35). Alignez les plats dans le trou de la cale de la lame (36) avec les plats de l'axe, en tournant la lame et la bague d'isolation ensemble, si nécessaire.
- ◆ Placez le morceau de bois (32) de telle manière qu'il empêche la lame de tourner (figure R).
- ◆ Installez l'écrou (30) avec l'épaulement contre la cale en métal carré (37) et serrez.

## Affûtage des lames (figure T)

Maintenez les lames aiguisées pour une meilleure coupe. Une lame émoussée ne coupera pas de façon nette.

**Attention !** Assurez-vous toujours que la clé de sécurité est bien retirée.

**Attention !** Portez des lunettes de protection pour retirer, aiguiser et installer une lame.

Affûtez la lame deux fois pendant une saison de tonte. Cela suffit en général dans des conditions normales. Le sable use rapidement la lame. Si le sol est sablonneux, il faut aiguiser plus fréquemment.

- ◆ Remplacez immédiatement les lames tordues ou endommagées.

#### Pour affûter les lames :

- ◆ Assurez-vous que la lame est bien équilibrée.
- ◆ Aiguissez la lame dans l'angle de coupe d'origine.
- ◆ Aiguissez les bords de coupe sur les deux extrémités de la lame, en égalisant bien des deux côtés.

#### Pour aiguiser une lame dans un étai (figure T)

- ◆ Relâchez la barre de déclenchement (3) pour arrêter la tondeuse et attendez que la lame soit complètement arrêtée.
- ◆ Retirez la clé de sécurité (1) et le bloc-batterie (11), puis retournez la tondeuse sur le côté.
- ◆ Retirez la lame (34) de la tondeuse, voir les instructions pour retirer et installer les lames.

**Attention !** Portez des lunettes de protection et des gants et prenez toutes les précautions nécessaires car les lames sont tranchantes.

- ◆ Mettez la lame (34) dans un étai.
- ◆ Limez avec précaution les bords de coupe de la lame avec une lime ou une pierre à poncer, en gardant le bord de coupe d'origine.
- ◆ Vérifiez l'équilibre de la lame (voir les instructions).
- ◆ Installez la lame (34) sur la tondeuse, serrez à fond. Voir les instructions pour retirer et installer les lames..

#### Équilibrage de la lame (figure U)

- ◆ Vérifiez l'équilibre de la lame en plaçant le trou central dans la lame sur un clou ou un tournevis rond à placer horizontalement dans un étai. Si une des extrémités de la lame tourne vers le bas, limez cette extrémité jusqu'à ce que la lame soit équilibrée.

#### Graissage

Aucun graissage nécessaire. Ne graissez pas les roues. Les surfaces de roulement sont en plastique, il n'est donc pas nécessaire de les graisser.

#### Nettoyage

- ◆ Relâchez la barre de déclenchement (3) pour arrêter la tondeuse et attendez que la lame soit complètement arrêtée.
- ◆ Retirez la clé de sécurité (1).
- ◆ Utilisez exclusivement du savon doux et un chiffon humide.
- ◆ Utilisez un outil peu tranchant pour nettoyer les chutes qui peuvent s'accumuler sur le dessous de la tondeuse.
- ◆ Après plusieurs utilisations, vérifiez si toutes les fixations apparentes sont bien serrées.

#### Prévention contre la rouille

Les engrais et autres produits chimiques contiennent des agents qui accélèrent le phénomène de corrosion des métaux. Si vous tondez dans des zones recouvertes d'engrais ou de produits chimiques, la tondeuse doit immédiatement être nettoyées comme suit :

- ◆ Relâchez la barre de déclenchement (3) pour arrêter la tondeuse et attendez que la lame soit complètement arrêtée.
- ◆ Retirez la clé de sécurité (1).
- ◆ Nettoyez toutes les pièces apparentes avec un chiffon humide.

#### Transport et rangement

**Attention !** La lame peut provoquer de graves blessures en tournant. Relâchez la barre de déclenchement pour arrêter la tondeuse et retirez la clé de sécurité avant de la soulever, transporter ou ranger. Rangez la tondeuse dans un endroit sec.

**Remarque :** La tondeuse sera moins lourde à transporter si le bloc-batterie est retiré. N'utilisez pas le loquet comme point de levage de la tondeuse.

#### Rangement hors saison

Dans les zones de climat chaud, pour un meilleur rendement, il est recommandé de toujours laisser la batterie chargée.

La batterie peut être rangée avec le chargeur débranché si les conditions suivantes sont présentes.

- ◆ La batterie est complètement chargée avant le rangement.
- ◆ La température moyenne du lieu de rangement est inférieure à 10°C (50°F).

#### Protection de l'environnement



Recyclage. Cet appareil ne doit pas être jeté avec les déchets ménagers.

Si votre appareil/outil Black & Decker doit être remplacé ou si vous ne l'utilisez plus, ne le jetez pas avec les ordures ménagères. Songez à la protection de l'environnement et recyclez-le.



La collecte séparée des produits et des emballages usagés permet de recycler et de réutiliser des matériaux.

La réutilisation de matériaux recyclés évite la pollution de l'environnement et réduit la demande de matières premières.

Des réglementations locales peuvent stipuler la collecte séparée des produits électriques et des produits ménagers, dans des déchetteries municipales ou par le revendeur lorsque vous achetez un nouveau produit.

Black & Decker offre une solution permettant de recycler les produits Black & Decker lorsqu'ils ont atteint la fin de leur cycle de vie. Pour pouvoir profiter de ce service, veuillez retourner votre produit à un réparateur agréé qui se chargera de le collecter pour nous.

Pour connaître l'adresse du réparateur agréé le plus proche de chez vous, contactez le bureau Black & Decker à l'adresse indiquée dans ce manuel. Vous pourrez aussi trouver une liste de réparateurs agréés de Black & Decker et de plus amples détails sur notre service après-vente sur le site Internet à l'adresse suivante : [www.2helpU.com](http://www.2helpU.com)

## Piles



Quand elles sont hors d'usage, jetez-les en respectant les normes de protection de l'environnement.

- ◆ Déchargez complètement la batterie, puis retirez-la de l'outil.
- ◆ Les batteries NiCd, NiMH et Li-Ion sont recyclables. Placez la ou les batteries dans un emballage approprié pour éviter un court-circuit des bornes. Déposez-les chez un technicien d'entretien agréé ou dans un centre de recyclage local.
- ◆ Ne court-circuitez pas les bornes des piles.
- ◆ Ne jetez pas la ou les batteries dans le feu, elles pourraient exploser ou être à l'origine de blessures.

## Caractéristiques techniques

		GRC4736SD H 1
Tension d'entrée	V <sub>DC</sub>	36
Aucune vitesse de charge	min <sup>-1</sup>	3300
Poids	kg	41
Batterie		A1236
Tension	V <sub>dc</sub>	36
Capacité	Ah	12
Type		Sans entretien
Chargeur		905521** type 1
Tension d'entrée	V <sub>AC</sub>	220 - 240
Tension de sortie	V <sub>DC</sub>	36
Courant	mA	800
Charge approximative	h	16

Niveau de vibration main/bras selon la norme EN 786 :

= < 2.5 m/s<sup>2</sup>, incertitude (K) = 1.5 m/s<sup>2</sup>.

L<sub>PA</sub> (pression sonore) 79 dB(A)

Incertitude (K) = 2 dB(A)



## Déclaration de conformité CE

CONSIGNES DE MACHINERIE

CONSIGNES NUISANCES SONORES EXTÉRIEURES



GRC4736SD

Black & Decker confirme que les produits décrits dans les « Données techniques » sont conformes aux normes : 2006/42/CE, EN 60335-1, EN 60335-2-91

2000/14/EC, Tondeuse à gazon, L < 50 cm, Annexe VI, DEKRA Certification B.V., Utrechtseweg 310, ED Arnhem Netherlands  
Notified Body ID No.: 0344

Niveau de puissance sonore selon la norme 2000/14/CE (Article 12, Annexe III, L ≤ 50 cm) :  
L<sub>WA</sub> (puissance sonore mesurée) 93 dB(A)  
Incertitude (K) = 2 dB(A)  
L<sub>WA</sub> (puissance sonore garantie) 95 dB(A)  
Incertitude (K) = 2 dB(A)

Ces produits sont conformes aux normes 2004/108/CE & 2011/65/EU.

Pour plus de détails, veuillez contacter Black & Decker à l'adresse suivante ou reportez-vous au dos du manuel. Le soussigné est responsable des données de la fiche technique et fait cette déclaration au nom de Black & Decker.

Kevin Hewitt  
Vice-Président - ingénierie internationale  
Black & Decker Europe, 210 Bath Road, Slough,  
Berkshire, SL1 3YD  
Royaume-Uni  
01-10-2009

## Garantie

Black & Decker assure la qualité de ses produits et vous offre une garantie très élargie. Ce certificat de garantie est un document supplémentaire et ne peut en aucun cas se substituer à vos droits légaux. La garantie est valable sur tout le territoire des États Membres de l'Union Européenne et de la Zone de Libre Échange Européenne.

Si un produit Black & Decker s'avère défectueux en raison de matériaux en mauvaises conditions, d'une erreur humaine, ou d'un manque de conformité dans les 24 mois suivant la date d'achat, Black & Decker garantit le remplacement des pièces défectueuses, la réparation des produits usés ou cassés ou remplace ces produits à la convenance du client, sauf dans les circonstances suivantes :

- ◆ Le produit a été utilisé dans un but commercial, professionnel, ou a été loué;
- ◆ Le produit a été mal utilisé ou utilisé avec négligence;
- ◆ Le produit a subi des dommages à cause d'objets étrangers, de substances ou à cause d'accidents;
- ◆ Des réparations ont été tentées par des techniciens ne faisant pas partie du service technique de Black & Decker.

Pour avoir recours à la garantie, il est nécessaire de fournir une preuve d'achat au vendeur ou à un réparateur agréé. Pour connaître l'adresse du réparateur agréé le plus proche de chez vous, contactez le bureau Black & Decker à l'adresse indiquée dans ce manuel. Vous pourrez aussi trouver une liste de réparateurs agréés Black & Decker et de plus amples détails sur notre service après-vente sur le site Internet à l'adresse suivante : [www.2helpU.com](http://www.2helpU.com)

Visitez notre site Web [www.blackanddecker.fr](http://www.blackanddecker.fr) pour enregistrer votre nouveau produit Black & Decker et être informé des nouveaux produits et des offres spéciales. Pour plus d'informations concernant la marque Black & Decker et notre gamme de produits, consultez notre site [www.blackanddecker.fr](http://www.blackanddecker.fr)

## Uso previsto

Il tosaerba Black & Decker è stato progettato per tagliare l'erba. Questo elettrodomestico è stato progettato solo per uso individuale.

## Istruzioni di sicurezza

**Avvertenza!** Quando si usano elettrodomestici cordless, osservare sempre le normali precauzioni di sicurezza per ridurre il rischio di incendio, scosse elettriche, lesioni personali e danni materiali.

**Avvertenza!** Osservare i regolamenti di sicurezza quando si usa l'elettrodomestico. Per la propria incolumità e quella degli osservatori, leggere queste istruzioni prima di usare l'elettrodomestico. Conservare le istruzioni in un luogo sicuro per utilizzo futuro.

- ◆ Leggere attentamente il presente manuale prima di usare l'elettrodomestico.
- ◆ L'uso previsto è descritto nel presente manuale. Se questo elettrodomestico viene usato con accessori o per usi diversi da quelli raccomandati nel presente manuale d'uso, si potrebbero verificare lesioni personali.
- ◆ Conservare il presente manuale per futura consultazione.

## Utilizzo dell'elettrodomestico

Prestare sempre attenzione quando si usa l'elettrodomestico.

- ◆ L'utilizzo di questo elettrodomestico non è destinato a ragazzi o persone inferme senza supervisione.
- ◆ Questo elettrodomestico non deve essere usato come un giocattolo.
- ◆ Impedire a bambini o ad animali di avvicinarsi all'area di lavoro o di toccare l'elettrodomestico o il filo di alimentazione.
- ◆ Prestare la massima attenzione quando si usa l'elettrodomestico vicino ai bambini.
- ◆ Usare solo in un luogo asciutto. Evitare che l'elettrodomestico si bagni.
- ◆ Non immergere l'elettrodomestico in acqua.
- ◆ Non aprire il corpo dell'elettrodomestico, dato che al suo interno non vi sono componenti riparabili.
- ◆ Evitare di impiegare questo elettrodomestico in ambienti esposti al rischio di esplosione, ad esempio in presenza di liquidi, gas o polveri infiammabili.
- ◆ Per ridurre il rischio di danni a spine o fili, non tirare mai il filo per scollegare la spina da una presa.

## Dopo l'impiego

- ◆ Quando non viene usato, l'apparecchio deve essere conservato in un luogo asciutto e ben ventilato, fuori dalla portata dei bambini.
- ◆ Gli elettrodomestici non devono essere riposti alla portata dei bambini.
- ◆ Se viene conservato o trasportato in un veicolo, l'elettrodomestico deve essere messo nel bagagliaio o legato per evitare che si sposti in caso di cambiamento repentino della velocità o della direzione di marcia.

## Ispezione e riparazioni

- ◆ Prima dell'impiego, controllare che l'elettrodomestico non sia danneggiato e non presenti parti difettose. Controllare che non vi siano parti rotte, che gli interruttori non siano danneggiati e che non vi siano altre condizioni che potrebbero avere ripercussioni sulle prestazioni.
- ◆ Non usare l'elettrodomestico se alcune parti sono danneggiate o difettose.
- ◆ Far riparare o sostituire le parti danneggiate o difettose da un tecnico autorizzato.
- ◆ Non tentare di smontare o sostituire qualsiasi parte ad eccezione di quelle specificate nel presente manuale.

## Altre precauzioni di sicurezza per i tosaerba.

- ◆ Afferrare saldamente il manico con entrambe le mani quando si usa il tosaerba.
- ◆ Se in qualsiasi momento dovesse essere necessario inclinare il tosaerba, tenere entrambe le mani nella posizione di lavoro mentre lo si inclina. Tenere entrambe le mani nella posizione di lavoro fino a quando il tosaerba è di nuovo appoggiato correttamente a terra.
- ◆ Non indossare auricolari della radio o di riproduttori di musica quando si usa il tosaerba.
- ◆ Non tentare mai di regolare l'altezza delle ruote con il motore acceso o quando la chiave di sicurezza si trova nella sede dell'interruttore.
- ◆ Se il tosaerba si ferma, rilasciare la barra di sicurezza per spegnerlo, attendere che la lama smetta di girare e sfilare la chiave di sicurezza prima di tentare di sbloccare il condotto o di rimuovere qualsiasi oggetto da sotto la scocca.
- ◆ Tenere mani e piedi lontani dalla zona di taglio.
- ◆ Tenere affilate le lame. Usare sempre guanti protettivi quando si maneggia la lama del tosaerba.
- ◆ Se si usa il sacco raccoglierba (5), controllare di frequente che non sia usurato o danneggiato. Se è molto usurato, sostituirlo con uno nuovo per la propria sicurezza.
- ◆ Prestare la massima attenzione quando si procede in retromarcia o quando si tira il tosaerba verso sé stessi.
- ◆ Non mettere mani o piedi vicino o sotto al tosaerba. Tenersi sempre lontani dall'apertura dello scarico.

- ◆ Eliminare dalla zona dove deve essere usato il tosaerba, oggetti estranei tipo sassi, pezzi di legno, fili di ferro, giocattoli, ossa, ecc., che potrebbero essere lanciati dalla lama. Eventuali oggetti colpiti dalla lama potrebbero causare lesioni gravi alle persone. Tenersi dietro al manico quando il motore è acceso.
- ◆ Non far funzionare il tosaerba a piedi nudi o quando si indossano sandali. Indossare sempre calzature robuste.
- ◆ Non tirare all'indietro il tosaerba a meno che non sia assolutamente necessario. Guardare sempre verso terra e dietro di sé quando si cammina all'indietro.
- ◆ Non puntare mai il materiale scaricato verso gli astanti. Evitare di scaricare il materiale contro un muro o un ostacolo. Il materiale potrebbe rimbalzare verso l'operatore. Rilasciare la barra di sicurezza per spegnere il tosaerba e fermare la lama quando si attraversano superfici con ghiaia.
- ◆ Non far funzionare il tosaerba se il sacco raccoglierba completo, la protezione dello scarico, quella posteriore o altri dispositivi protettivi di sicurezza non sono montati e non funzionano correttamente. Controllare periodicamente tutte le protezioni e i dispositivi protettivi di sicurezza per accertarsi che siano in buone condizioni e che funzionino correttamente, svolgendo la funzione per la quale sono stati progettati. Sostituire le protezioni o altri dispositivi di sicurezza danneggiati prima di continuare a usare il tosaerba.
- ◆ Non lasciare mai incustodito un tosaerba acceso. Sfilare sempre la chiave di sicurezza se il tosaerba deve essere lasciato incustodito.
- ◆ Rilasciare sempre la barra di sicurezza per spegnere il motore, attendere fino a quando la lama si ferma completamente e sfilare la chiave di sicurezza prima di pulire il tosaerba, di staccare il sacco raccoglierba, di sbloccare la protezione dello scarico, quando si lascia il tosaerba incustodito o prima di eseguire qualsiasi regolazione, riparazione o ispezione.
- ◆ Usare il tosaerba solo alla luce del sole o con una buona illuminazione artificiale quando è possibile vedere chiaramente dalla posizione di guida eventuali oggetti lungo il percorso della lama.
- ◆ Non usare il tosaerba se si è sotto l'effetto di alcol o droghe oppure quando si è stanchi o ammalati. È importante concentrarsi sempre su ciò che si sta facendo e usare il buon senso.
- ◆ Evitare ambienti pericolosi. Non usare mai il tosaerba quando l'erba è umida o bagnata e se piove. Mantenere sempre un buon equilibrio, camminare e non correre mai.

- ◆ Se il tosaerba comincia a vibrare in modo anomalo, rilasciare la barra di sicurezza, attendere che la lama si arresti, sfilare la chiave di sicurezza e quindi controllare immediatamente la causa. Di solito le vibrazioni segnalano dei problemi; se si avvertono delle vibrazioni insolite, consultare la guida della Ricerca guasti.
- ◆ Indossare sempre occhiali idonei e una mascherina quando si usa il tosaerba.
- ◆ L'uso di accessori non raccomandati per impiego con questo tosaerba potrebbe essere pericoloso. Usare solo accessori approvati da Black & Decker.
- ◆ Non sporgersi mai quando si usa il tosaerba. Mantenere sempre un buon equilibrio quando si usa il tosaerba.
- ◆ Su di un pendio tagliare l'erba trasversalmente e mai procedendo verticalmente in su e in giù. Prestare la massima attenzione quando si cambia direzione su di un pendio.
- ◆ Fare attenzione a buche, solchi, sassi o ad altri oggetti nascosti. Un terreno irregolare può far scivolare o cadere. L'erba alta può nascondere ostacoli.
- ◆ Non tagliare l'erba quando è bagnata o lungo pendii molto ripidi. La perdita dell'equilibrio può far scivolare o cadere.
- ◆ Non tagliare l'erba vicino a pendii ripidi, fossati o terrapieni, dove è facile perdere l'equilibrio.

### Sicurezza altrui

- ◆ Questo elettrotensile non è stato progettato per impiego da parte di persone (o bambini) portatrici di handicap fisici, psichici o sensoriali o che non abbiano la dovuta esperienza o conoscenza, a meno che non siano seguite o opportunamente istruite sul suo impiego da parte di una persona responsabile della loro sicurezza.
- ◆ Controllare che i bambini non giochino con l'elettrotensile.

### Rischi residui.

Quando si usa l'elettrotensile, possono esservi altri rischi residui che possono non essere stati contemplati negli avvisi di sicurezza allegati. Tali rischi possono sorgere a seguito di un uso prolungato o improprio, ecc.

Perfino adottando gli appositi regolamenti di sicurezza e utilizzando i dispositivi di sicurezza, certi rischi residui non possono essere evitati. Essi comprendono:

- ◆ **Lesioni causate o subite a seguito del contatto con parti rotanti/in movimento.**
- ◆ **Lesioni causate o subite durante la sostituzione di parti, lame o accessori.**
- ◆ **Lesioni causate dall'impiego prolungato di un elettrotensile. Quando si usa qualsiasi elettrotensile per lunghi periodi, accertarsi di fare regolarmente delle pause.**
- ◆ **Problemi di udito.**

- ◆ **Rischi per la salute causati dall'aspirazione di polvere generata dall'utilizzo dell'elettrotensile (ad esempio quando si lavora con il legno, in modo particolare quello di quercia, faggio o l'MDF.)**



Pressione sonora garantita in base alla direttiva 2000/14/CE.

## Simboli di avviso

I seguenti simboli di avviso sono stampigliati sull'elettrotensile.



**Avvertenza!** Leggere il manuale prima dell'utilizzo.



Non esporre l'elettrotensile alla pioggia o a un'umidità intensa.



Fare attenzione alle lame taglienti.

Sfilare sempre la chiave di sicurezza prima di pulire il tosaerba, di staccare il sacco raccogli-erba, di sbloccare la protezione dello scarico, quando si lascia il tosaerba incustodito o prima di eseguire qualsiasi regolazione, riparazione o ispezione.



Fare attenzione agli oggetti lanciati in aria. Tenere gli osservatori lontani dalla zona di taglio.



Indossare occhiali di protezione.



Le lame continuano a girare dopo lo spegnimento del tosaerba.

## Ulteriori istruzioni di sicurezza per batterie e alimentatori

### Batterie

- ◆ Non tentare di aprirle per qualsiasi ragione.
- ◆ Non lasciare che la batteria si bagni.
- ◆ Non esporre la batteria al calore.
- ◆ Non riporre in luoghi dove la temperatura potrebbe superare i 40 °C.
- ◆ Caricare solo a temperature ambiente tra 10 °C e 40 °C.
- ◆ Caricare solo usando l'alimentatore fornito con l'apparecchio/elettrotensile. L'utilizzo dell'alimentatore sbagliato potrebbe causare scosse elettriche o il surriscaldamento della batteria.
- ◆ Quando si smaltiscono le batterie, seguire le istruzioni riportate al capitolo "Protezione dell'ambiente".
- ◆ Non danneggiare/deformare il battery pack forandolo o colpendolo per evitare il rischio di lesioni o di incendio.
- ◆ Non caricare le batterie danneggiate.
- ◆ In condizioni estreme, si potrebbe verificare la perdita di liquido dalle batterie. Se si nota la presenza di liquido sulle batterie, pulirle con attenzione con uno straccio. Evitare il contatto con l'epidermide.
- ◆ In caso di contatto con l'epidermide o gli occhi, seguire le istruzioni riportate di seguito.

**Avvertenza!** Il liquido della batteria può causare lesioni alle persone o danni alle cose. In caso di contatto con la pelle, risciacquare immediatamente con acqua. In caso di rossore, dolore o irritazione, rivolgersi immediatamente a un medico. In caso di contatto con gli occhi, risciacquarli immediatamente con acqua pulita e consultare un medico.

Non tentare di caricare delle batterie danneggiate.



### Alimentatori

L'alimentatore è stato progettato per una tensione specifica.

Controllare sempre che la tensione di rete corrisponda alla tensione indicata sulla targhetta dei dati tecnici.

**Avvertenza!** Non tentare mai di sostituire l'alimentatore con una normale spina elettrica.

- ◆ Usare l'alimentatore Black & Decker solo per caricare la batteria nell'apparecchio/elettrotensile con il quale è stato fornito. Altre batterie potrebbero scoppiare causando lesioni alle persone e danni.
- ◆ Non tentare mai di caricare batterie non ricaricabili.
- ◆ In caso di danneggiamento del filo di alimentazione, è necessario farlo riparare dal fabbricante o presso un centro assistenza Black & Decker autorizzato in modo da evitare eventuali pericoli.
- ◆ Non lasciare che l'alimentatore si bagni.
- ◆ Non aprire l'alimentatore.
- ◆ Non collegare l'alimentatore a sonde.
- ◆ L'apparecchio/elettrotensile/batteria devono essere lasciati in una zona ben ventilata durante la carica.



L'alimentatore può solo essere usato all'interno.



Leggere il presente manuale d'uso prima dell'impiego.

### Sicurezza elettrica



Il doppio isolamento di cui è provvisto l'alimentatore rende superfluo il filo di terra. Controllare sempre che la tensione di rete corrisponda a quella indicata sulla targhetta dei dati tecnici. Non tentare mai di sostituire l'alimentatore con una normale spina elettrica.

- ◆ In caso di danneggiamento del filo di alimentazione, è necessario farlo riparare dal fabbricante o presso un centro assistenza Black & Decker autorizzato in modo da evitare eventuali pericoli.

### Caratteristiche

Si indicano di seguito le caratteristiche di cui è dotato questo elettrotensile.

1. Chiave di sicurezza
2. Barra di sicurezza
3. Braccio di sicurezza funzione semovente

4. Leva comando velocità
5. Barra manico
6. Sportello posteriore a molla
7. Pomello di regolazione manico
8. Bulloni di fissaggio manico
9. Fermaglio batteria
10. Leva batteria
11. Batteria rimovibile
12. Taglio mulching – Pomello di attivazione
13. Leva altezza di taglio
14. Indicatore altezza di taglio
15. Sacco raccogliherba

### Montaggio

**Avvertenza!** Prima di montare l'elettrotensile, assicurarsi che sia spento e scollegato dalla presa di corrente.

### Disimballaggio (figg. A e B)

**Avvertenza!** Punti pericolosi - per evitare "pizzicotti" tenere le dita lontane dalla zona tra il manico e le piastre.

- ◆ Tagliare con attenzione i lati dello scatolone dalla parte opposta a quella del manico e piegare il lembo verso il basso come illustrato.
- ◆ Dopo aver tagliato il lato dello scatolone, estrarre l'espanso, l'alimentatore, il sacchetto con gli accessori e il sacco raccogliherba e spingere il tosaerba fuori dallo scatolone aperto.

**Avvertenza!** Lama mobile e affilata. Tenere le parti del corpo lontane dalla lama.

### Assemblaggio del manico (fig. C)

Gli attrezzi richiesti per l'assemblaggio non sono stati forniti: Chiave regolabile da 1/2" (13 mm):

- ◆ Posizionare il manico in modo che i fori sul manico (5) si allineino con quelli sulla piastra (16). I pomelli di regolazione rapida del manico (7) si allineeranno ai fori superiori della piastra laterale (16).
- ◆ Infilare i bulloni di fissaggio del manico (8) nei fori nel manico (5) e avvitarli nella piastra (16). Ripetere per il lato opposto prima di serrarli.
- ◆ Serrare i bulloni di fissaggio nel manico (8) in modo ben saldo usando una chiave regolabile da 1/2" (13 mm).
- ◆ Per regolare il manico all'altezza corretta consultare il paragrafo sulla regolazione del manico. Non spingere e non usare il tosaerba a meno che il manico non sia stato fissato saldamente sul tosaerba.

**Avvertenza!** Punti pericolosi - per evitare "pizzicotti" tenere le dita lontane dalla zona tra il manico (5) e le piastre (16).

## Regolazione del manico (fig. D)

Il tosaerba è dotato di dispositivo di regolazione del manico ad altezza variabile. Per regolare la posizione del manico in base alle proprie preferenze di altezza, seguire la procedura riportata di seguito:

- ◆ Tenere il manico (5) con una mano, estrarre e ruotare di un quarto di giro un pomello di regolazione del manico (7) per rilasciare la spina dal foro della piastra metallica.
- ◆ Ripetere per il lato opposto. È ora possibile regolare il manico (5) a un'altezza diversa.
- ◆ Spostare il manico all'altezza desiderata.
- ◆ Estrarre e ruotare di un quarto di giro un pomello di regolazione del manico (7) per reinnestare la spina nel foro della piastra metallica; ripetere per il lato opposto.

## Montaggio del sacco raccoglierba (figg. E e F)

- ◆ Infilare il sacco raccoglierba (15) sul telaio (17).
- ◆ Infilare i fermi superiori del sacco raccoglierba sul telaio.
- ◆ Montare i due fermi laterali sul telaio, seguiti da quello inferiore.

## Regolazione dell'altezza delle ruote (figg. G e H)

Il tosaerba è dotato di sistema di regolazione dell'altezza delle ruote "One-Touch" di Black & Decker che consente di regolare contemporaneamente le quattro ruote.

Il tosaerba ha sette posizioni di regolazione dell'altezza della lama (da 38 mm a 89 mm). Consultare la scala e l'indice sulla parte anteriore del tosaerba. L'indice indica la regolazione dell'altezza per il taglio del prato. Questa regolazione funge da punto di riferimento per la volta successiva se si desidera tagliare il prato alla medesima altezza.

- ◆ Rilasciare la barra di sicurezza (3) per spegnere il tosaerba, attendere fino a quando la lama si ferma e sfilare la chiave di sicurezza (1).
- ◆ Per alzare o abbassare l'altezza di taglio, appoggiare il palmo della mano sull'appoggio (18) e, con le dita, premere verso l'alto la leva (19) e tenerla così.
- ◆ Tenendo ferma la leva (19), alzare o abbassare l'altezza di taglio come richiesto. L'indicatore dell'altezza mostra la regolazione attuale (fig. H).
- ◆ Quando il tosaerba è regolato all'altezza desiderata, tenerlo fermo afferrando con la mano sinistra la parte inferiore destra del manico e rilasciare la leva (19) per bloccare la regolazione dell'altezza.

**Nota:** Per verificare che il tosaerba sia saldamente bloccato in una delle posizioni dell'altezza, premere sull'appoggio dopo aver rilasciato la leva.

## Rimozione e montaggio della batteria (figg. I e K)

Il battery pack (11) può essere smontato dal tosaerba per essere riposto/caricato oppure può essere lasciato nel tosaerba per la carica.

### Prima dello smontaggio della batteria:

- ◆ Mettere il tosaerba in piano.
- ◆ Rilasciare la barra di sicurezza (3) per spegnere il tosaerba, attendere fino a quando la lama si ferma e sfilare la chiave di sicurezza (1).

### Smontaggio della batteria:

- ◆ Sollevare la leva della batteria (10) per rilasciare il fermaglio (9) e tirarla indietro per allontanarla dal battery pack. Estrarre il battery pack.

### Montaggio della batteria

Prima di montare il battery pack, verificare che il tosaerba sia privo di detriti e che il connettore dell'alimentatore (20) sia scollegato dal battery pack (11).

- ◆ Inserire il battery pack nel tosaerba. (La batteria può essere inserita in un unico verso.)
- ◆ Fissare la batteria nel tosaerba agganciando il fermaglio (9) sopra il bordo della batteria (11) e abbassando la leva della batteria (10) fino a quando si aggancia in sede.

## Utilizzo

**Avvertenza!** Lasciare che l'elettrotensile funzioni al suo ritmo. Non sovraccaricarlo.

## Carica della batteria (figg. J - L)

**Nota:** Caricare la batteria prima dell'impiego iniziale.

La batteria può essere caricata sia smontata dal tosaerba sia montata.

- ◆ Rilasciare la barra di sicurezza (3) per spegnere il tosaerba, attendere fino a quando la lama si ferma e sfilare la chiave di sicurezza (1).
- ◆ Allineare i connettori verde (+) e bianco (-) e inserire la spina dell'alimentatore (20) nella presa (22) sul tosaerba oppure smontare la batteria e inserire la spina dell'alimentatore (20) nella presa (21) sulla batteria.
- ◆ Il connettore dell'alimentatore (20) può essere collegato alla presa sul tosaerba in un solo verso.
- ◆ Inserire la spina da 240 V dell'alimentatore in una presa di corrente (fig. L).

- ◆ La spia rossa (26) sull'alimentatore (24) si accende per indicare che la carica della batteria è in corso. Se la spia rossa non è accesa, controllare che il connettore dell'alimentatore sia allineato correttamente.
- ◆ Terminata la carica, la spia rossa (26) si spegne e al suo posto si accende quella verde .

Per caricare una batteria completamente scarica ci vogliono 16 ore circa.

Si consiglia di lasciare la batteria sempre sotto carica tra un impiego e l'altro per ottenere le migliori prestazioni durante la stagione di falciatura.

L'alimentatore fornito con questo prodotto deve essere collegato alla presa in modo tale da essere orientato in modo corretto sia in posizione verticale sia a pavimento.

### Indicatore dello stato di carica (fig. K)

La batteria è dotata di indicatore dello stato di carica. Esso può essere usato per indicare il livello attuale di carica della batteria durante l'impiego.

- ◆ Premere il pulsante dell'indicatore dello stato di carica (23).

### Chiave di sicurezza

Sfilare la chiave di sicurezza:

- ◆ Quando si lascia l'elettrotensile incustodito.
- ◆ Prima di eliminare un'ostruzione.
- ◆ Prima di controllare, pulire o eseguire la manutenzione dell'elettrotensile.
- ◆ Dopo aver colpito un oggetto estraneo.
- ◆ Ogni volta che l'elettrotensile inizia a vibrare in modo anomalo.

### Accensione e spegnimento

**Avvertenza!** Lama mobile e affilata. Non tentare mai di escludere il funzionamento di questo interruttore e del sistema con chiave di sicurezza dato che si potrebbero subire e causare lesioni gravi.

#### Accensione (fig. M)

- ◆ Inserire completamente la chiave di sicurezza (1) nell'alloggiamento dell'interruttore.
- ◆ Premere il pulsante (27) sul lato dell'alloggiamento dell'interruttore.
- ◆ Tirare la barra di sicurezza della lama (3) verso quella del manico (5).

#### Spegnimento (fig. M)

- ◆ Per spegnere il tosaerba, rilasciare la barra di sicurezza della lama (3).

La barra di sicurezza (3) attiva il meccanismo di frenatura automatica quando torna nella posizione originale. Il motore è frenato elettricamente e la lama del tosaerba smette di ruotare in 3 secondi o meno.

#### Funzione semovente a velocità variabile (fig. M)

Il tosaerba è dotato di funzione semovente a velocità variabile. La funzione semovente è indipendente dall'interruttore di accensione della lama. Può essere usata con o senza la rotazione della lama. Per esempio, dopo aver completato il taglio del prato, è possibile usare la funzione semovente per riportare il tosaerba presso il ripostiglio senza lasciare acceso il motore della lama.

#### Funzionamento della funzione semovente senza la rotazione della lama.

- ◆ Inserire completamente la chiave di sicurezza (1) nell'alloggiamento dell'interruttore.
- ◆ Spingere la barra di sicurezza della funzione semovente (2) verso quella del manico (5).
- ◆ Per spegnere la funzione semovente, rilasciare la relativa barra di sicurezza.

**Nota** Funzione semovente a velocità variabile. È possibile selezionare la velocità spostando la leva del selettore (4). Quando si sposta la leva del selettore in avanti, la velocità aumenta. Quando si sposta la leva del selettore indietro, la velocità diminuisce.

#### Funzionamento della funzione semovente con la rotazione della lama.

- ◆ Inserire completamente la chiave di sicurezza (1) nell'alloggiamento dell'interruttore.
- ◆ Premere il pulsante (27) sul lato dell'alloggiamento dell'interruttore e quindi tirare la barra di sicurezza della lama (3) verso il manico (5).
- ◆ Tenere la barra di sicurezza della lama in sede contro il manico con la mano destra. Spingere ora la barra di sicurezza della funzione semovente (2) verso il manico (5) con la mano sinistra.
- ◆ È possibile tenere simultaneamente entrambe le barre di sicurezza verso il manico con la mano sinistra.

**Nota** Quando si disattiva la funzione semovente, ad esempio alla fine di una striscia di prato, la funzione potrebbe bloccarsi temporaneamente se si tira il tosaerba indietro. Basta però spingerlo leggermente in avanti per poi spostarlo come richiesto.

**Nota** Durante il taglio, potrebbe a volte essere più facile fare delle manovre attorno a un oggetto, ad esempio un albero o una pianta, con la funzione semovente disattivata. Il tosaerba può essere usato facilmente con la funzione semovente disinserita.

### Taglio mulching "SU RICHIESTA" (figg. N e O)

Il tosaerba è dotato di dispositivo "Su richiesta" che consente di passare dal taglio mulching alla raccolta o scarico solo ruotando un pomello.

- ◆ Rilasciare la barra di sicurezza (3) per spegnere il tosaerba, attendere fino a quando la lama si ferma e sfilare la chiave di sicurezza (1).

#### Modalità di scarico:

- ◆ Rimuovere il cesto raccogliherba.
- ◆ Verificare che lo sportello di scarico posteriore poggia saldamente contro la scocca.
- ◆ Premere e ruotare il pomello del dispositivo "Su richiesta" in modo che sia allineato alla dicitura "SCARICO" (fig. N).

**Nota** Il tosaerba si trova ora nella modalità di scarico posteriore. Lo sfalcio verrà depositato sotto lo sportello chiuso direttamente sul prato.

#### Modalità di raccolta:

- ◆ Montare il cesto raccogliherba.
- ◆ Verificare che lo sportello di scarico posteriore poggia saldamente sopra il cesto raccogliherba.
- ◆ Premere e ruotare il pomello del dispositivo "Su richiesta" in modo che sia allineato alla dicitura "CESTO" (vedere fig. N).

**Nota** Il tosaerba si trova ora nella modalità di raccolta. Per modificare la modalità di scarico posteriore a questo punto basta rimuovere il cesto raccogliherba.

#### Modalità di taglio mulching:

- ◆ Per passare alla modalità di taglio mulching premere e ruotare il pomello del dispositivo "Su richiesta" in modo che sia allineato alla dicitura "MULCHING" (vedere fig. O). Il tosaerba si trova ora nella modalità di taglio mulching.

**Nota** Se è difficile ruotare il pomello del dispositivo "Su richiesta", potrebbe essere necessario pulire il condotto della scocca.

- ◆ Rilasciare la barra di sicurezza della lama per spegnere il tosaerba e attendere fino a quando la lama si ferma completamente. Quindi estrarre la chiave di sicurezza e il battery pack.

- ◆ Tenere aperto lo sportello dello scarico posteriore e pulire via sfalcio e detriti che possono essersi accumulati nel condotto della scocca. Pulire anche la parte inferiore della scocca se necessario.

### Montaggio del sacco raccogliherba (figg. P e Q)

- ◆ Rilasciare la barra di sicurezza della lama (3) per spegnere il tosaerba, attendere fino a quando la lama si ferma e sfilare la chiave di sicurezza (1).
- ◆ Aprire lo sportello di scarico posteriore a molla (6) in posizione verticale e tenerlo aperto.
- ◆ Afferrare il manico (29) sul sacco raccogliherba (15) e montare il sacco tra i manici del tosaerba.
- ◆ Posizionare i ganci di attacco del sacco raccogliherba sul tosaerba (fig. Q).
- ◆ Rilasciare lo sportello di scarico posteriore (6).

### Consigli per un utilizzo ottimale

I prati devono essere tagliati in primavera quando l'erba è alta da 63 mm a 76 mm circa. Se l'erba viene tagliata troppo presto agli inizi della stagione, si possono disturbare i sistemi delle radici dell'erba che si rinnovano ogni primavera. L'erba nuova deve essere tagliata quando è alta 63 mm circa.

Non tagliare l'erba troppo bassa alla prima passata, mai più di 1/3 dell'altezza del filo d'erba durante ciascun taglio. Un taglio troppo basso fa soffrire i fili d'erba sensibili e come risultato si ha un sistema delle radici poco profondo che rende più difficile la ricerca di acqua nel terreno da parte del prato.

Tagliare l'erba quando è asciutta per evitare il formarsi di cumuli di erba bagnata. Se del tutto possibile, il pomeriggio inoltrato è il momento ideale per tagliare l'erba, non solo perché l'erba è asciutta, ma anche perché la zona di prato appena tagliata, che è molto sensibile, non è esposta alla luce intensa del sole.

Tenere ben affilata la lama per avere un bel taglio netto. In questo modo si migliorano le prestazioni del tosaerba e anche l'aspetto estetico del prato. La lama non affilata spezza e ammacca le punte dell'erba. In questo modo si rende difficile la crescita sana del prato e si aumenta la suscettibilità del tappeto erboso alle malattie. L'ammaccatura delle punte dell'erba risulta in un color bruno che conferisce al prato un aspetto poco sano. Una lama spuntata potrebbe anche strappare dal terreno l'erba giovane.



Cercare di tagliare l'erba a un'altezza di taglio regolare. Anche se a volte è necessario variare l'altezza di taglio in base alle stagioni, un'altezza di taglio regolare produce un manto erboso più sano e più bello con di solito un numero minore di erbacce. Tagliare l'erba più frequentemente durante i periodi di crescita rapida. Il taglio frequente consente di non far vedere la parte inferiore e meno attraente dell'erba.

Se l'erba del prato è cresciuta troppo, ad esempio durante un periodo di assenza durante una vacanza, regolare l'altezza di taglio a una o due posizioni più in alto. Una seconda passata all'altezza di taglio solita alcuni giorni dopo ripristinerà l'aspetto estetico del prato. La modifica dell'altezza di taglio è semplice grazie alla regolazione dell'altezza delle ruote "One-Touch" di Black & Decker, che consente di regolare simultaneamente tutte e quattro le ruote.

In primavera e in autunno, o dopo un'interruzione del programma di taglio, l'erba sarà più lunga e più folta. Se il motore continua a rallentare durante il taglio, cercare di regolare le ruote per un'altezza di taglio più alta. Un carico eccessivo sul motore può causare un taglio irregolare, può far scaricare più rapidamente la batteria e può sovraccaricare il motore fino a spegnerlo.

Ci sono tre ottimi modi per migliorare l'aspetto del prato: Variare frequentemente la direzione di taglio; tagliare orizzontalmente lungo i fianchi delle colline (e questa è anche una buona prassi di sicurezza) e non dimenticare di eseguire il taglio in modo tale che il passaggio del tosaerba si sovrapponga di un po' a quello precedente.

Tagliare sempre l'erba in modo che lo sfalcio sia scaricato sul prato tosato. In questo modo il prato conserverà un aspetto pulito evitando un accumulo di sfalcio che alla fine diventa color marrone e ha un brutto aspetto. Questo metodo consente anche di risparmiare la carica della batteria in modo da poter sfruttare al massimo il tosaerba cordless Black & Decker.

In primavera e in autunno, quando l'erba è più lunga e più folta, è possibile usare il tosaerba con la batteria non completamente carica (vale a dire con la spia di carica verde accesa). In questo modo sarà possibile eseguire operazioni di taglio brevi, anche se non consigliamo di farlo frequentemente. La batteria e il tosaerba svolgono al meglio il loro lavoro quando sono completamente carichi.

## Consigli per il taglio dell'erba

**Nota** Ispezionare sempre la zona dove il tosaerba deve essere usato ed eliminare pietre, bastoncini, fili di ferro, ossa e ogni altro detrito che potrebbe essere lanciato dalla lama rotante.

- ◆ Sui pendii, tagliare l'erba trasversalmente e mai procedendo verticalmente in su e in giù. Prestare la massima attenzione quando si cambia direzione su un pendio. Non tagliare l'erba su pendii molto ripidi. Mantenersi sempre in equilibrio.
- ◆ Rilasciare la barra di sicurezza (3) per spegnere il tosaerba quando si attraversano zone coperte di ghiaia, dato che la lama rotante potrebbe lanciare il pietrisco.
- ◆ Regolare il tosaerba sull'altezza di taglio più alta quando si falcia su terreni secchi o con erbacce alte. Se si taglia l'erba molto alta in una sola passata, si può sovraccaricare il motore che quindi arresta il tosaerba. Consultare la guida della Ricerca guasti.

Se nella stagione di crescita rapida dell'erba si usa il sacco raccogliherba (15), l'erba potrebbe intasare l'apertura di scarico.

- ◆ Rilasciare la barra di sicurezza (3) per spegnere il tosaerba e sfilare la chiave di sicurezza (1).
- ◆ Togliere il sacco raccogliherba (15) e scrollare lo sfalcio verso la parte posteriore del sacco.
- ◆ Pulire via sfalcio e detriti che possono essersi accumulati attorno all'apertura di scarico.
- ◆ Rimontare il sacco raccogliherba (15).

Se il tosaerba comincia a vibrare in modo anomalo:

- ◆ Rilasciare la barra di sicurezza (3) immediatamente per spegnere il tosaerba ed estrarre la chiave di sicurezza (1) e il battery pack (11).
- ◆ Indagare la causa delle vibrazioni. Le vibrazioni sono un avvertimento. Non far funzionare il tosaerba fino a quando non è stato eseguito un controllo di assistenza. Consultare la guida della Ricerca guasti nel manuale.

**Note** Rilasciare sempre la barra di sicurezza per spegnere il tosaerba e sfilare la chiave di sicurezza quando lo si lascia incustodito anche per un breve periodo di tempo.

I suggerimenti riportati di seguito serviranno a ottenere il massimo tempo di funzionamento del tosaerba cordless:

- ◆ Rallentare in zone dove l'erba è particolarmente lunga o folta.
- ◆ Durante il taglio mulching, evitare di tagliare in una sola volta lunghezze superiori a 38 mm.
- ◆ Evitare di tagliare l'erba quando è bagnata.
- ◆ Tagliare l'erba frequentemente, in modo particolare durante i periodi di crescita rapida.

**Note** Consigliamo di ricaricare il tosaerba dopo ciascun impiego. La carica frequente non danneggia la batteria e consente di essere certi che sia completamente carica.

## Suggerimenti per il taglio mulching

Durante il taglio mulching, il tosaerba è stato progettato in modo da triturare lo sfalcio in particelle di piccole dimensioni e di ridistribuirle sul prato. In condizioni normali, l'erba così tritata si biodegrada rapidamente per concimare il prato.

Consigli per un taglio mulching ottimale:

- ◆ Evitare di tagliare l'erba quando è bagnata. L'erba bagnata può ammassarsi compromettendo in questo modo il taglio mulching e riducendo i tempi di funzionamento. Il tempo migliore per tagliare l'erba è di pomeriggio quando è asciutta e la zona appena tagliata non è esposta ai raggi diretti del sole.
- ◆ Per ottenere il miglior rendimento del taglio mulching, regolare l'altezza di taglio in modo da asportare un terzo della lunghezza dell'erba, idealmente non più di 38 mm, alla volta. Se l'erba del prato è molto alta, potrebbe essere necessario aumentare l'altezza di taglio per ridurre lo sforzo di spinta ed evitare di sovraccaricare il motore.
- ◆ In caso di taglio mulching molto gravoso, si consiglia di tagliare l'erba prima di tutto ad un'altezza di taglio molto alta e poi a quella finale, oppure di praticare dei tagli più stretti e di procedere lentamente.

Per ottenere le migliori prestazioni, mantenere la calotta del tosaerba priva di incrostazioni di erba:

- ◆ Rilasciare la barra di sicurezza (3) per spegnere il tosaerba e attendere fino a quando la lama si ferma completamente.
- ◆ Estrarre la chiave di sicurezza(1) e il battery pack (11) e girare di lato il tosaerba.
- ◆ Usare un raschietto non affilato per eliminare l'accumulo di erba dalla zona della lama. Fare attenzione al filo della lama. Pulire più spesso quando si taglia erba rigogliosa e sempre dopo ogni impiego.

In determinate condizioni o con certi tipi di erba, può essere necessario ripetere una seconda volta il taglio mulching per disperdere lo sfalcio sull'intero prato.

Se si esegue un secondo taglio, si consiglia di farlo perpendicolarmente (di trasverso) rispetto al primo, senza però cambiare il percorso di taglio se ciò dovesse richiedere la falciatura dell'erba in discesa lungo un pendio.

- ◆ Cambiare il percorso di taglio da una settimana all'altra. In questo modo si impedisce la formazione di feltro sul prato.

## Manutenzione

Questo apparecchio/elettrotensile Black & Decker con o senza filo è stato progettato per funzionare a lungo con una manutenzione minima. Per ottenere prestazioni sempre soddisfacenti occorre avere cura dell'elettrotensile/apparecchio e sottoporlo a pulitura periodica.

L'alimentatore non richiede nessuna manutenzione salvo una regolare pulitura.

**Attenzione!** Prima di eseguire interventi di manutenzione su elettrotensili con o senza filo, procedere come descritto di seguito.

- ◆ Spegnere e scollegare l'apparecchio/elettrotensile dalla presa di corrente.
- ◆ Oppure spegnere ed estrarre la batteria se l'apparecchio/elettrotensile è dotato di battery pack a parte.
- ◆ Oppure scaricare completamente la batteria se è di tipo integrale e quindi spengerlo.
- ◆ Scollegare l'alimentatore dalla presa di corrente prima di pulirlo. L'alimentatore non richiede nessuna manutenzione salvo una regolare pulitura.
- ◆ Pulire regolarmente le prese di ventilazione dell'elettrotensile/apparecchio e dell'alimentatore con un pennello o con un panno morbido e asciutto.
- ◆ Il vano del motore deve essere pulito regolarmente con un panno umido. Non usare materiali abrasivi o detersivi a base di solventi.
- ◆ Usare regolarmente un raschietto non affilato per eliminare erba e sporcizia dalla parte inferiore della protezione.

## Smontaggio e montaggio della lama (figg. R e S)

**Avvertenza!** Non toccare la lama prima di aver sfilato la chiave di sicurezza e prima che le lame si siano fermate completamente.

- ◆ Rilasciare la barra di sicurezza (3) per spegnere il tosaerba, attendere fino a quando la lama si ferma e sfilare la chiave di sicurezza (1).
- ◆ Tagliare un pezzo di legno (50 mm x 100 mm x e lungo 600 mm circa) da usare per tenere ferma la lama mentre si svita il dado flangiato.
- ◆ Girare di lato il tosaerba.

**Avvertenza!** Indossare guanti e occhiali di protezione idonei. Fare attenzione al filo della lama.

- ◆ Posizionare il pezzo di legno (32) e svitare il dado flangiato (30) con una chiave da 19 mm (31) (fig. R).

- ◆ Sfilare il distanziale quadrato metallico della lama (37), l'isolatore quadrato in plastica della lama (33) e la lama (34) (fig. S). Esaminare l'isolatore della lama (35) per vedere che non sia danneggiato e sostituirlo se necessario.

Quando si monta la lama, accertarsi che il lato della lama a contatto dell'erba sia rivolto verso il terreno quando il tosaerba è riportato nella normale posizione verticale.

- ◆ Dopo aver montato la lama, infilare l'isolatore (35) sulla lama in modo che i labbri rialzati su di un lato si innestino nei bordi della lama (34).
- ◆ Infilare il distanziale della lama (36) in modo che si insedi all'interno dei labbri rialzati sul lato opposto dell'isolatore della lama (35). Accertarsi di allineare le parti piatte nel foro del distanziale della lama (36) con quelle piatte dell'albero, facendo ruotare contemporaneamente la lama e l'isolatore come richiesto.
- ◆ Posizionare il pezzo di legno (32) per impedire alla lama di ruotare (fig. R).
- ◆ Avvitare il dado flangiato (30) con la flangia contro il distanziale quadrato metallico della lama (37) e serrare.

### Affilatura della lama (fig. T)

Mantenere affilata la lama per ottenere le migliori prestazioni. Una lama spuntata non taglia nettamente l'erba e non esegue correttamente il taglio mulching.

**Avvertenza!** Verificare sempre che la chiave di sicurezza sia stata sfilata.

**Avvertenza!** Indossare occhiali di protezione idonei quando si smonta, si affila e si rimonta una lama.

In circostanze normali, è di solito sufficiente affilare la lama due volte durante la stagione di taglio. La sabbia spunta rapidamente la lama. Se il prato tagliato ha un terreno sabbioso, può essere necessaria un'affilatura più frequente.

- ◆ Sostituire immediatamente le lame piegate o danneggiate.

#### Durante l'affilatura della lama:

- ◆ Verificare che la lama rimanga bilanciata.
- ◆ Affilare la lama in base all'angolo di taglio originale.
- ◆ Affilare i bordi di taglio su entrambe le estremità della lama, asportando quantitativi pari di materiale da entrambe le estremità.

### Affilatura della lama in una morsa (fig. T)

- ◆ Rilasciare la barra di sicurezza (3) per spegnere il tosaerba e attendere fino a quando la lama si ferma completamente.
- ◆ Estrarre la chiave di sicurezza (1) e il battery pack (11) e girare di lato il tosaerba.

- ◆ Estrarre la lama (34) dal tosaerba; vedere le istruzioni per lo smontaggio e il montaggio delle lame.

**Avvertenza!** Indossare occhiali di protezione e guanti idonei e prestare attenzione al filo della lama.

- ◆ Serrare la lama (34) in una morsa.
- ◆ Limare con attenzione il filo con una lima sottile o con una pietra per affilare, conservando il filo originale.
- ◆ Controllare il bilanciamento della lama; vedere le istruzioni per bilanciare la lama.
- ◆ Montare la lama (34) sul tosaerba e serrarla saldamente; vedere le istruzioni per lo smontaggio e il montaggio delle lame.

### Bilanciamento della lama (fig. U)

- ◆ Controllare il bilanciamento della lama infilando su un chiodo o su un cacciavite con gambo rotondo, serrati orizzontalmente in una morsa, il foro centrale della lama. Se una delle estremità ruota verso il basso, limare quell'estremità della lama fino a quando la lama è bilanciata.

### Lubrificazione

La lubrificazione non è necessaria. Non oliare le ruote dato che sono dotate di superfici portanti in plastica che non richiedono lubrificazione.

### Pulizia

- ◆ Rilasciare la barra di sicurezza (3) per spegnere il tosaerba e attendere fino a quando la lama si ferma completamente.
- ◆ Sfilare la chiave di sicurezza (1).
- ◆ Per pulire il tosaerba, utilizzare solamente sapone neutro e un panno umido.
- ◆ Usare uno strumento non affilato per pulire via l'eventuale sfalcio che si è accumulato sulla parte inferiore della scocca del tosaerba.
- ◆ Dopo vari impieghi, controllare che tutti gli elementi di fissaggio in vista siano ben saldi.

### Prevenzione della corrosione

I fertilizzanti e altri prodotti chimici usati in giardino contengono sostanze che velocizzano notevolmente la corrosione dei metalli. Se si taglia l'erba in zone dove sono stati usati fertilizzanti o prodotti chimici, il tosaerba deve essere pulito subito dopo l'impiego nel modo seguente:

- ◆ Rilasciare la barra di sicurezza (3) per spegnere il tosaerba e attendere fino a quando la lama si ferma completamente.
- ◆ Sfilare la chiave di sicurezza (1).
- ◆ Strofinare tutte le parti esposte con un panno umido.

## Trasporto e conservazione

**Avvertenza!** La lama rotante può causare lesioni gravi. Rilasciare la barra di sicurezza per spegnere il tosaerba e sfilare la chiave di sicurezza prima di sollevarlo. Conservarlo in un luogo asciutto.

**Nota:** Il tosaerba non sarà così pesante da sollevare se viene prima estratto il battery pack. Non usare la chiusura come punto di sollevamento del tosaerba.

## Conservazione fuori stagione

Per garantire il funzionamento ottimale in climi caldi, si consiglia di mantenere la batteria costantemente sotto carica.

La batteria può essere riposta con l'alimentatore scollegato nei seguenti casi:

- ◆ La batteria è completamente carica prima di riporre il tosaerba.
- ◆ La temperatura media del luogo in cui viene riposto è inferiore a 10°C.

## Protezione dell'ambiente



Raccolta differenziata. Questo prodotto non deve essere smaltito con i normali rifiuti domestici.

Nel caso in cui l'elettrotensile Black & Decker debba essere sostituito o non sia più necessario, non smaltirlo con i normali rifiuti domestici. Metterlo da parte per la raccolta differenziata.



La raccolta differenziata dei prodotti e degli imballaggi utilizzati consente il riciclaggio dei materiali e il loro continuo utilizzo.

Il riutilizzo dei materiali riciclati favorisce la protezione dell'ambiente prevenendo l'inquinamento e riduce il fabbisogno di materie prime.

Seguire la regolamentazione locale per la raccolta differenziata dei prodotti elettrici che può prevedere punti di raccolta o la consegna dell'elettrotensile al rivenditore presso il quale viene acquistato un nuovo prodotto.

Black & Decker offre ai propri clienti la possibilità di riciclare i prodotti Black & Decker che hanno esaurito la loro vita di servizio. Per usufruire di tale servizio, è sufficiente restituire il prodotto a qualsiasi tecnico autorizzato, incaricato della raccolta per conto dell'azienda.

Per individuare il tecnico autorizzato più vicino, rivolgersi alla sede Black & Decker locale, presso il recapito indicato nel presente manuale. Altrimenti, un elenco completo di tutti i tecnici autorizzati Black & Decker e i dettagli completi sui contatti e i servizi post-vendita sono disponibili su Internet all'indirizzo: [www.2helpU.com](http://www.2helpU.com)

## Batterie



Alla fine della loro vita utile, smaltire le batterie in conformità alle norme ambientali.

- ◆ Scaricare completamente la batteria e toglierla dall'elettrotensile.
- ◆ Le batterie NiCd, NiMH e al litio-ione sono riciclabili. Imballare la batteria o le batterie in modo idoneo per evitare che i terminali possano essere cortocircuitati. Portarle presso un tecnico autorizzato o il centro di riciclaggio di zona.
- ◆ Non cortocircuitare i terminali della batteria.
- ◆ Non smaltire le batterie bruciandole dato che si potrebbe causare un'esplosione.

## Dati tecnici

		GRC4736SD H 1
Tensione in ingresso	$V_{DC}$	36
Regime a vuoto	$\text{min}^{-1}$	3300
Peso	kg	41
Batteria		A1236
Tensione	$V_{dc}$	36
Capacità	Ah	12
Tipo		Piombo-acido
Alimentatore		905521** tipo 1
Tensione in ingresso	$V_{AC}$	220 - 240
Tensione erogata	$V_{DC}$	36
Corrente	mA	800
Tempo di carica approssimativo	h	16

Valore medio quadratico ponderato dell'accelerazione secondo la normativa EN 786:

= < 2.5 m/s<sup>2</sup>, incertezza (K) = 1.5 m/s<sup>2</sup>.

L<sub>PA</sub> (pressione sonora) 79 dB(A)

incertezza (K) = 2 dB(A)

## Dichiarazione di conformità CE

DIRETTIVA SUI MACCHINARI

DIRETTIVA SULLA RUMOROSITÀ ESTERNA



GRC4736SD

Black & Decker dichiara che questi prodotti descritti al paragrafo "Dati tecnici" sono conformi a:

2006/42/CE, EN 60335-1, EN 60335-2-91

2000/14/CE, Tosaerba, L < 50cm, Allegato VI,  
DEKRA Certification B.V., Utrechtseweg 310, ED Arnhem  
Netherlands

ID ente notificato n.: 0344

Livello di potenza acustica in base a 2000/14/CE

(Articolo 12, Allegato III, L ≤ 50 cm):

L<sub>WA</sub> (pressione sonora misurata) 93 dB(A)

incertezza (K) = 2 dB(A)

L<sub>WA</sub> (pressione sonora garantita) 95 dB(A)

incertezza (K) = 2 dB(A)

Questi prodotti sono conformi alla direttiva 2004/108/CE & 2011/65/EU.

Per ulteriori informazioni contattare Black & Decker al seguente indirizzo oppure consultare l'ultima di copertina del manuale.

Il sottoscritto è responsabile della redazione di questo documento tecnico e rilascia questa dichiarazione per conto di Black & Decker.

Kevin Hewitt

Vice-President Global Engineering  
Black & Decker Europe, 210 Bath Road, Slough,  
Berkshire, SL1 3YD  
Regno Unito  
01-10-2009

## Garanzia

Certa della qualità dei suoi prodotti, Black & Decker offre una garanzia eccezionale. Il presente certificato di garanzia è complementare ai diritti legali e non li pregiudica in alcun modo. La garanzia è valida entro il territorio degli Stati membri dell'Unione Europea e dell'EFTA (European Free Trade Area).

Se un prodotto Black & Decker risulta difettoso per qualità del materiale, della costruzione o per mancata conformità entro 24 mesi dalla data di acquisto, Black & Decker garantisce la sostituzione delle parti difettose, provvede alla riparazione dei prodotti se ragionevolmente usurati oppure alla loro sostituzione, in modo da ridurre al minimo il disagio del cliente a meno che:

- ◆ il prodotto non sia stato destinato a usi commerciali, professionali o al noleggio;
- ◆ il prodotto non sia stato usato in modo improprio o scorretto;
- ◆ il prodotto non abbia subito danni causati da oggetti o sostanze estranee oppure incidenti;
- ◆ il prodotto non abbia subito tentativi di riparazione non effettuati da tecnici autorizzati né dall'assistenza Black & Decker.

Per attivare la garanzia è necessario esibire la prova di acquisto al venditore o al tecnico autorizzato. Per individuare il tecnico autorizzato più vicino, rivolgersi alla sede Black & Decker locale, presso il recapito indicato nel presente manuale. Altrimenti, un elenco completo di tutti i tecnici autorizzati Black & Decker e i dettagli completi sui contatti e i servizi post-vendita sono disponibili su Internet all'indirizzo: [www.2helpU.com](http://www.2helpU.com)

I clienti che desiderano registrare il nuovo prodotto Black & Decker e ricevere gli aggiornamenti sui nuovi prodotti e le offerte speciali, sono invitati a visitare il sito Web ([www.blackanddecker.it](http://www.blackanddecker.it)). Ulteriori informazioni sul marchio e la gamma di prodotti Black & Decker sono disponibili all'indirizzo [www.blackanddecker.it](http://www.blackanddecker.it).

## Beoogd gebruik

Uw Black & Decker-maaier is bestemd voor het maaien van gras. Dit apparaat is uitsluitend bestemd voor consumentengebruik.

## Veiligheidsinstructies

**Waarschuwing!** Bij draadloze apparaten moeten bepaalde elementaire voorzorgsmaatregelen, waaronder de navolgende, in acht worden genomen om het gevaar voor brand, elektrische schokken, persoonlijk letsel en materiële schade tot een minimum te beperken.

**Waarschuwing!** De veiligheidsregels moeten worden opgevolgd wanneer u het apparaat gebruikt. Lees voor uw eigen veiligheid en de veiligheid van omstanders deze instructies voordat u het apparaat gebruikt. Bewaar de instructies voor later gebruik.

- ◆ Lees deze handleiding zorgvuldig door voordat u het apparaat in gebruik neemt.
- ◆ In deze handleiding wordt ingegaan op het beoogde gebruik. Het gebruik van andere accessoires of hulpstukken dan wel de uitvoering van andere handelingen dan in deze gebruikershandleiding worden aanbevolen, kan tot persoonlijk letsel leiden.
- ◆ Bewaar deze handleiding zorgvuldig zodat u deze altijd nog eens kunt raadplegen.

## Gebruik van het apparaat

Ga bij gebruik van het apparaat altijd voorzichtig te werk.

- ◆ Dit apparaat mag niet zonder supervisie door jonge of lichamelijk zwakke mensen worden gebruikt.
- ◆ Het apparaat mag niet als speelgoed worden gebruikt.
- ◆ Laat kinderen of dieren niet in de buurt van de werkomgeving komen, en evenmin het apparaat of netsnoer aanraken.
- ◆ Let extra goed op wanneer u het apparaat in de buurt van kinderen gebruikt.
- ◆ Gebruik het apparaat alleen in een droge locatie. Het apparaat mag niet nat worden.
- ◆ Dompel het apparaat niet onder in water.
- ◆ Open de behuizing niet. Het apparaat bevat geen onderdelen die door de gebruiker kunnen worden gerepareerd.
- ◆ Gebruik het apparaat niet in een omgeving met explosiegevaar, zoals in de nabijheid van brandbare vloeistoffen, gassen of stof.
- ◆ Haal de stekker nooit uit het stopcontact door aan de kabel te trekken. Zo voorkomt u beschadiging aan de stekker of de kabel.

## Na gebruik

- ◆ Bewaar het apparaat na gebruik op een droge, goed geventileerde plaats, buiten het bereik van kinderen.
- ◆ Zorg dat het bewaarde apparaat niet toegankelijk is voor kinderen.
- ◆ Wanneer het apparaat in de auto ligt, moet u het apparaat in de kofferruimte plaatsen of goed vastzetten, zodat het apparaat niet kan wegschieten bij plotselinge veranderingen in snelheid of richting.

## Inspectie en reparaties

- ◆ Controleer het apparaat vóór gebruik op beschadiging en defecten. Controleer het vooral op gebroken onderdelen, schade aan de schakelaars en andere omstandigheden die de werking ervan kunnen beïnvloeden.
- ◆ Gebruik het apparaat niet in geval van een of meer beschadigde of defecte onderdelen.
- ◆ Laat beschadigde of defecte onderdelen door een van onze servicecentra repareren of vervangen.
- ◆ Probeer nooit andere onderdelen te verwijderen of te vervangen dan in deze handleiding zijn vermeld.

## Aanvullende veiligheidsinstructies voor grasmaaiers

- ◆ Houd de handgreep stevig met beide handen vast als u de grasmaaier bedient.
- ◆ Als de grasmaaier op enig moment moet worden gekanteld, zorg er dan voor dat beide handen in de werkpositie blijven terwijl de grasmaaier wordt gekanteld. Houd beide handen in de werkpositie tot de grasmaaier weer op de juiste wijze op de grond staat.
- ◆ Draag nooit een hoofdtelefoon voor radio of muziek als u de grasmaaier bedient.
- ◆ Probeer nooit de wielhoogte aan te passen terwijl de motor draait of terwijl de veiligheidssleutel zich in de behuizing van de schakelaar bevindt.
- ◆ Als de grasmaaier vast komt te zitten, laat u de handgreep los om de maaier uit te schakelen, wacht u tot het blad stopt en verwijdert u de veiligheidssleutel voordat u probeert de blokkering van de vulopening op te heffen of iets van onder het dek te verwijderen.
- ◆ Blijf met uw handen en voeten uit de buurt van het snijgebied.
- ◆ Houd bladen scherp. Draag altijd handschoenen bij het hanteren van het blad van de grasmaaier.
- ◆ Als u de graszak (5) gebruikt, moet u deze regelmatig controleren op slijtage en beschadigingen. Als de zak ernstig versleten is moet u deze voor uw eigen veiligheid vervangen.
- ◆ Ga zeer voorzichtig te werk als u de grasmaaier achteruit beweegt of naar u toe trekt.

- ◆ Kom niet met uw handen of voeten in de buurt van of onder de grasmaaier. Blijf altijd uit de buurt van uitwerpingen.
- ◆ Maak het gebied waar u de grasmaaier gaat gebruiken vrij van voorwerpen zoals stenen, stokken, draad, speelgoed, botten enz. Deze kunnen door het blad wegvliegen. Voorwerpen die door het blad worden geraakt, kunnen ernstige verwondingen toebrengen aan personen. Blijf achter de handgreep als de motor draait.
- ◆ Gebruik de grasmaaier niet als u blote voeten hebt of als u sandalen draagt. Draag altijd stevig schoeisel.
- ◆ Trek de grasmaaier niet achteruit, tenzij dit absoluut noodzakelijk is. Kijk altijd omlaag en achter u voordat en terwijl u achteruit loopt.
- ◆ Richt uitgeworpen materiaal niet op anderen. Zorg dat uitgeworpen materiaal niet tegen een muur of obstakel komt. Het materiaal kan terugkaatsen naar de bediener van de grasmaaier. Als u over grindoppervlakken loopt, laat u de handgreep los om de maaier uit te schakelen en het blad te stoppen.
- ◆ Gebruik de grasmaaier niet zonder dat de volledige graszak, het uitwerpschild, de achterste beschermkap of andere veiligheidsvoorzieningen zijn aangebracht en goed fungeren. Controleer regelmatig of alle beschermkappen en veiligheidsvoorzieningen in goede staat zijn en of ze goed werken en hun bedoelde functie uitvoeren. Vervang een beschadigde beschermkap of andere veiligheidsvoorziening voordat u de grasmaaier weer gebruikt.
- ◆ Laat een ingeschakelde grasmaaier nooit zonder toezicht achter. Verwijder altijd de veiligheidsleutel als u de grasmaaier zonder toezicht achterlaat.
- ◆ Voordat u de grasmaaier reinigt, de graszak verwijdert, het uitwerpschild vrijmaakt, de grasmaaier achterlaat of aanpassingen, reparaties of inspecties uitvoert, moet u altijd de handgreep loslaten om de maaier uit te schakelen, wachten tot het blad is gestopt en de veiligheidsleutel verwijderen.
- ◆ Bedien de grasmaaier alleen bij daglicht of goed kunstlicht, als voorwerpen in het pad van het blad duidelijk zichtbaar zijn door de bediener van de grasmaaier.
- ◆ Gebruik de grasmaaier niet wanneer u onder invloed van alcohol of drugs bent of wanneer u moe of ziek bent. Blijf altijd alert, let goed op wat u doet en ga met verstand te werk.
- ◆ Vermijd gevaarlijke omgevingen. Gebruik de grasmaaier nooit in vochtig of nat gras of wanneer het regent. Zorg altijd voor een goede steun voor uw voeten. Loop rustig en ren niet.
- ◆ Als de grasmaaier ernstig gaat trillen, laat u de handgreep los, wacht u tot het blad is gestopt en verwijdert u de veiligheidsleutel. Onderzoek vervolgens direct wat de oorzaak van het trillen is. Trillen is over het algemeen een waarschuwing voor problemen. Zie het hoofdstuk Problemen oplossen voor advies in het geval van abnormale trilling.
- ◆ Draag altijd goede bescherming voor uw ogen en luchtwegen als u de grasmaaier gebruikt.
- ◆ Als u hulpstukken gebruikt die niet worden aanbevolen voor deze grasmaaier, kan dat gevaar opleveren. Gebruik uitsluitend hulpstukken die zijn goedgekeurd door Black & Decker.
- ◆ Reik niet te ver als u de grasmaaier gebruikt. Zorg er altijd voor dat u stevig staat en dat u uw evenwicht niet verliest terwijl u de grasmaaier gebruikt.
- ◆ Maai dwars over het vlak van een helling, nooit omhoog en omlaag. Ga zeer voorzichtig te werk als u op een helling van richting verandert.
- ◆ Pas op voor gaten, geulen, hobbels, stenen of andere verborgen voorwerpen. Op oneffen terrein kunt u uitglijden en vallen. Hoog gras kan obstakels verbergen.
- ◆ Maai niet op nat gras of zeer steile hellingen. Als u niet stevig staat, kunt u uitglijden en vallen.
- ◆ Maai niet in de buurt van steile hellingen, sloten of kades. U kunt uw houvast of evenwicht verliezen.

### Veiligheid van anderen

- ◆ Dit apparaat mag niet worden gebruikt door personen (waaronder kinderen) met een lichamelijke of geestelijke beperking of die geen ervaring met of kennis van dit apparaat hebben, tenzij ze onder toezicht staan of instructies hebben gekregen voor het gebruik van het apparaat van een persoon die verantwoordelijk is voor hun veiligheid.
- ◆ Er moet toezicht worden gehouden op kinderen om ervoor te zorgen dat deze niet met het gereedschap spelen.

### Overige risico's

Er kunnen zich tijdens het gebruik van het gereedschap ook andere risico's voordoen, die misschien niet in de bijgevoegde veiligheidswaarschuwingen worden vermeld. Deze risico's kunnen zich voordoen als gevolg van onoordeelkundig gebruik, langdurig gebruik, enz.

Zelfs als de veiligheidsvoorschriften in acht worden genomen en de veiligheidsvoorzieningen worden geïmplementeerd, kunnen bepaalde risico's niet worden vermeden. Deze omvatten:

- ◆ **Verwondingen die worden veroorzaakt door het aanraken van draaiende of bewegende onderdelen.**
- ◆ **Verwondingen die worden veroorzaakt bij het vervangen van onderdelen, bladen of accessoires.**

- ◆ **Verwondingen die worden veroorzaakt door langdurig gebruik van het gereedschap.** Als u langere periodes met het gereedschap werkt, is het raadzaam om regelmatig een pauze in te lassen.
- ◆ **Gehoorschadiging.**
- ◆ **Gezondheidsrisico's als gevolg van het inademen van stof dat door gebruik van het gereedschap wordt veroorzaakt (bijvoorbeeld tijdens het werken met hout, vooral eiken, beuken en MDF.)**

## Waarschuwingssymbolen

Het apparaat is voorzien van de volgende waarschuwingssymbolen:



**Waarschuwing!** Lees de handleiding voordat u met het apparaat gaat werken.



Stel de grasmaaier niet bloot aan regen of hoge luchtvochtigheid.



Pas op voor de scherpe bladen. Voordat u de grasmaaier reinigt, de graszak verwijderd, het uitwerpschild vrijmaakt, de grasmaaier achterlaat of aanpassingen, reparaties of inspecties uitvoert, moet u altijd de veiligheidssleutel verwijderen.



Wees bedacht op rondvliegende voorwerpen. Houd omstanders uit de buurt van het snijgebied.



Draag oogbescherming.



Nadat u de machine hebt uitgeschakeld, blijven de bladen nog even draaien.



Richtlijn 2000/14/EG gegarandeerd geluidsvermogen.

## Aanvullende veiligheidsinstructies voor accu's en laders

### Accu's

- ◆ Probeer accu's niet te openen, om welke reden ook.
- ◆ Stel de accu niet bloot aan water.
- ◆ Stel de accu niet bloot aan hitte.
- ◆ Bewaar deze niet op locaties met temperaturen van meer dan 40 °C.
- ◆ Laad de accu's alleen op bij een omgevingstemperatuur van 10-40 °C.
- ◆ Gebruik alleen de lader die bij het gereedschap/apparaat is geleverd. Het gebruik van de verkeerde lader kan resulteren in een elektrische schok of oververhitting van de accu.
- ◆ Gooi lege accu's weg volgens de instructies in het gedeelte "Milieu".
- ◆ De accubehuizing mag niet worden beschadigd of vervormd door er gaten in te laten komen of ertegen aan te stoten, aangezien dit kan leiden tot letsel of brand.
- ◆ Laad beschadigde accu's niet op.
- ◆ Onder extreme omstandigheden kunnen accu's lekkages vertonen. Wanneer de accu nat of vochtig is, veegt u de vloeistof voorzichtig af met een doek. Vermijd huidcontact.
- ◆ Bij huid- of oogcontact volgt u de onderstaande instructies.

**Waarschuwing!** De accuvloeistof kan lichamelijk letsel of schade aan eigendommen veroorzaken. Bij huidcontact moet u de vloeistof direct afspoelen met water. Raadpleeg uw huisarts als er rode vlekken ontstaan of bij een pijnlijke of geïrriteerde huid. Bij oogcontact moet u de vloeistof direct afspoelen met water en uw huisarts raadplegen.

Laad beschadigde accu's niet op.



### Laders

De lader is ontworpen voor een specifieke spanning.

Controleer altijd of de netspanning overeenkomt met de waarde op het typeplaatje.

**Waarschuwing!** Probeer de lader nooit te vervangen door een normale netstekker.

- ◆ Gebruik de lader van Black & Decker alleen voor de accu in het gereedschap/apparaat waarbij de lader is bijgeleverd. Andere batterijen kunnen exploderen met letsel en materiële schade als gevolg.



- ◆ Niet-laadbare accu's mogen nooit worden opgeladen.
- ◆ Als het netsnoer is beschadigd, moet dit worden vervangen door de fabrikant of een Black & Decker-servicecentrum om gevaren te voorkomen.
- ◆ Stel de lader niet bloot aan water.
- ◆ Open de lader niet.
- ◆ Prik nooit met een scherp voorwerp in de lader.
- ◆ Laad het apparaat/het gereedschap/de accu alleen op in een goed geventileerde locatie.

13. Hendel voor maaihogte
14. Indicatie maaihogte
15. Graszak

## Montage

**Waarschuwing!** Zorg vóór aanvang van de montage dat het apparaat is uitgeschakeld en de netstekker is losgekoppeld van het lichtnet.

### Uitpakken (fig. A en B)

**Waarschuwing!** Beknellingsgevaar - houd uw vingers uit de buurt van het gedeelte tussen de handgreep en de platen om beknelling te voorkomen.

- ◆ Snijd voorzichtig de zijkanten van de doos tegenover de hendel los en vouw de klep naar beneden, zoals getoond.
- ◆ Als de zijkant van de doos is opengesneden, verwijdert u de kartonnen vulling, lader, accessoirezak en graszak en duwt u de maaier uit de geopende kartonnen doos.

**Waarschuwing!** Scherp bewegend blad. Houd lichaamsdelen uit de buurt van het blad.

### Handgreep in elkaar zetten (fig. C)

Gereedschap nodig voor montage, niet bijgeleverd: verstelbare moersleutel of moersleutel van 13 mm (1/2 inch).

- ◆ Plaats de handgreep zo dat de gaten op de handgreep (5) zijn uitgelijnd met de gaten op de plaat (16). De knoppen voor het eenvoudig verstellen van de handgreep (7) zijn uitgelijnd met de bovenste gaten op de zijplaat (16).
- ◆ Plaats de bevestigingsbouten (8) van de handgreep door de gaten van de handgreep (5) en draai ze in de plaat (16). Herhaal dit voor de andere kant voordat u de bouten vastdraait.
- ◆ Draai de bevestigingsbouten (8) voor de handgreep stevig vast met de verstelbare moersleutel of moersleutel van 13 mm (1/2 inch).
- ◆ Als u de gewenste hoogte van de handgreep wilt instellen, leest u het gedeelte over de handgreep verstellen. Duw of gebruik de maaier niet als de handgreep niet correct is bevestigd aan de grasmaaier.

**Waarschuwing!** Beknellingsgevaar - om beknelling te voorkomen, houdt u uw vingers uit de buurt van het gedeelte tussen de handgreep (5) en de platen (16).

### Aanpassen van de handgreep (fig. D)

De hoogte van uw handgreep kan variabel worden aangepast. Gebruik de volgende procedure om de handgreep naar de gewenste hoogte te brengen:



De lader is uitsluitend bestemd voor gebruik binnenshuis.



Lees voor gebruik deze gebruikershandleiding.

## Elektrische veiligheid



De lader is dubbel geïsoleerd, zodat een aardaansluiting niet nodig is. Controleer altijd of de netspanning overeenkomt met de waarde op het typeplaatje. Probeer de lader nooit te vervangen door een normale netstekker.

- ◆ Als het netsnoer is beschadigd, moet dit worden vervangen door de fabrikant of een Black & Decker-servicecentrum om gevaren te voorkomen.

## Onderdelen

Dit apparaat kan een of meer van de volgende onderdelen bevatten.

1. Veiligheidsleutel
2. Hendel voor in-/uitschakelen
3. Hendel voor in-/uitschakelen van zelf rijden
4. Snelheidshendel
5. Handgreep
6. Verende achterklep
7. Verstelknop voor handgreep
8. Bevestigingsbouten voor handgreep
9. Accuklem
10. Accuhendel
11. Verwijderbare accu
12. Knop voor mulch op aanvraag

- ◆ Houd de handgreep (5) met één hand vast, trek een van de verstelknoppen voor de handgreep (7) uit en draai deze een kwartslag om de pin te ontgrendelen uit het gat in de metalen plaat.
- ◆ Herhaal dit voor de andere kant. U kunt de handgreep (5) nu verstellen naar een andere hoogte.
- ◆ Verplaats de handgreep naar de gewenste hoogte.
- ◆ Trek een verstelknop voor de handgreep (7) uit en draai deze een kwart om de pin weer te vergrendelen in het gat in de metalen plaat. Herhaal dit voor de andere kant.

### De graszak monteren (fig. E & F)

- ◆ Schuif de graszak (15) op het frame (17).
- ◆ Monteer de klemmen aan de bovenkant van de graszak aan het frame.
- ◆ Monteer de twee zijklemmen aan het frame en zet daarna de klem aan de onderkant vast.

### Aanpassing wielhoogte (fig. G & H)

Uw maaier beschikt over het Black & Decker One Touch-systeem voor aanpassing van wielhoogte. Met dit systeem worden de vier wielen tegelijkertijd aangepast.

De maaier heeft zeven aanpassingsposities voor de hoogte van het blad (38 mm tot 89 mm). Zie de schaalverdeling en wijzer op de voorkant van de maaier. De wijzer geeft de hoogte-instelling voor het maaien van uw gras aan. Deze instelling kunt u als referentie gebruiken voor de volgende keer dat u uw gras op dezelfde hoogte wilt maaien.

- ◆ Laat de hendel voor in-/uitschakelen (3) los om de grasmaaier uit te schakelen, wacht tot het blad stopt en verwijder de veiligheidssleutel (1).
- ◆ Om de maaihoogte te verhogen of verlagen plaatst u uw handpalm op de handsteun (18) en drukt u met uw vingers de vingergreep (19) naar boven. Houd deze vast.
- ◆ Terwijl u de vingergreep (19) vasthoudt, verhoogt of verlaagt u de maaihoogte naar wens. De hoogte-indicator geeft de huidige instelling aan (fig. H).
- ◆ Als de maaier de gewenste hoogte heeft bereikt, houdt u deze met uw linkerhand op de handgreep rechtsonder op zijn plaats en laat u de vingergreep (19) los om de hoogteaanpassing te vergrendelen.

**Opmerking:** Om ervoor te zorgen dat de maaier stevig in een van de hoogteposities is vergrendeld, drukt u de handsteun naar beneden wanneer u de vingergreep heeft losgelaten.

### De accu verwijderen en plaatsen (fig. I en K)

De accu (11) kan voor opslag/opladen uit de maaier worden verwijderd of voor opladen in de maaier worden gelaten.

#### Voordat u de accu verwijdert:

- ◆ Plaats de maaier op een vlak oppervlak.
- ◆ Laat de hendel voor in-/uitschakelen (3) los om de maaier uit te schakelen, wacht tot het blad stopt en verwijder de veiligheidssleutel (1).

#### De accu verwijderen:

- ◆ Til de accuhendel (10) op om de accuklem (9) te ontgrendelen en trek deze weg van de accu. Til de accu uit de maaier.

#### De accu plaatsen

Voordat u de accu installeert, moet u ervoor zorgen dat de maaier vrij is van grasresten en dat de oplaadstekker (20) is losgekoppeld van de accu (11).

- ◆ Schuif de accu in de maaier. (De accu past maar op een manier.)
- ◆ Bevestig de accu in de maaier door de batterijklem (9) over de rand van de accu (11) te klemmen en de batterijhendel (10) naar beneden te drukken totdat deze vastklikt.

### Gebruik van het apparaat

**Waarschuwing!** Laat de machine in zijn eigen tempo werken. Niet overbelasten.

### De accu opladen (fig. J - L)

**Opmerking:** Voordat u de accu voor het eerst gebruikt, moet u deze eerst opladen.

De accu kan voor het opladen uit de maaier worden verwijderd, maar hij kan ook op zijn plek worden opgeladen.

- ◆ Laat de hendel voor in-/uitschakelen (3) los om de grasmaaier uit te schakelen, wacht tot het blad stopt en verwijder de veiligheidssleutel (1).
- ◆ Lijn de groene (+) en witte (-) connectoren uit en plaats de oplaadstekker (20) in de aansluiting (22) op de maaier of verwijder de accu en plaats de oplaadstekker (20) in de aansluiting (21) op de accu.
- ◆ De oplaadstekker (20) kan slechts op een manier in de aansluiting op de maaier worden geplaatst.
- ◆ Plaats de 240 Volt-stekker van de lader in een stopcontact met netstroom (fig. L).

- ◆ Het rode lampje (26) op de lader (24) gaat branden om aan te geven dat de accu wordt opgeladen. Als het rode lampje niet aan is, moet u controleren of de oplaadstekker goed is uitgelijnd.
- ◆ Als het opladen is voltooid gaat het rode lampje (26) uit en gaat het groene lampje branden.

Het duurt ongeveer 16 uur om een volledig ontladen accu op te laden.

Wij raden u aan de accu tijdens het maaiseizoen permanent op te laten laden wanneer u hem niet gebruikt, voor optimale prestaties.

De bij dit product geleverde lader is bedoeld om zodanig in het stopcontact te steken dat hij zich op de juiste wijze in een verticale positie of vloerpositie bevindt.

### Laadniveau-indicator (fig. K)

De accu is uitgerust met een laadniveau-indicator. Deze kan worden gebruikt voor het weergeven van het huidige laadniveau tijdens het gebruik.

- ◆ Druk op de knop van de laadniveau-indicator (23).

### Veiligheidsleutel

Verwijder de veiligheidsleutel:

- ◆ Wanneer u het apparaat onbeheerd achterlaat.
- ◆ Voordat u een blokkade verwijdert.
- ◆ Voordat u het apparaat controleert, reinigt of eraan werkt.
- ◆ Nadat u een vreemd object hebt geraakt.
- ◆ Wanneer het apparaat abnormaal begint te trillen.

### In- en uitschakelen

**Waarschuwing!** Scherp bewegend blad. Probeer de werking van het systeem met de schakelaar en de veiligheidsleutel nooit uit te schakelen. Dit kan resulteren in ernstige verwondingen.

#### Inschakelen (fig. M)

- ◆ Plaats de veiligheidsleutel (1) volledig in de behuizing van de schakelaar.
- ◆ Druk op de knop (27) aan de zijkant van de behuizing van de schakelaar.
- ◆ Trek de hendel voor het in-/uitschakelen van het blad (3) in de richting van de handgreep (5).

#### Uitschakelen (fig. M)

- ◆ Om de grasmaaier uit te schakelen, laat u de hendel voor het in-/uitschakelen van het blad (3) los.

Wanneer de hendel voor in-/uitschakelen (3) naar zijn originele positie is teruggekeerd, activeert deze het automatische remsysteem. De motor wordt elektrisch geremd en het blad van de grasmaaier stopt binnen 3 seconden met draaien.

### Variabele snelheid voor zelf rijden (fig. M)

Uw grasmaaier kan worden ingesteld op verschillende snelheden voor zelf rijden. De functie voor zelf rijden is onafhankelijk van de aan-/uitschakelaar voor het blad. De functie kan worden gebruikt zonder dat het blad draait. Als u bijvoorbeeld klaar bent met het maaien van uw grasveld, kunt u met de functie voor zelf rijden de maaier terugrijden naar de opslaglocatie zonder dat de bladmotor is ingeschakeld.

#### Zelf rijden gebruiken zonder dat het blad draait:

- ◆ Plaats de veiligheidsleutel (1) volledig in de behuizing van de schakelaar.
- ◆ Duw de hendel voor het in-/uitschakelen van zelf rijden (2) naar de handgreep (5).
- ◆ Als u zelf rijden wilt uitschakelen, laat u de hendel voor het in-/uitschakelen van zelf rijden los.

**Opmerking** Zelf rijden kan op verschillende snelheden worden ingesteld. U kunt de snelheid instellen door de snelheidshendel (4) te verplaatsen. Als u de hendel naar voren beweegt, wordt de snelheid hoger. Als u de hendel de andere kant op beweegt, wordt de snelheid lager.

#### Zelf rijden gebruiken terwijl dat het blad draait:

- ◆ Plaats de veiligheidsleutel (1) volledig in de behuizing van de schakelaar.
- ◆ Duw op de knop (27) op de zijkant van de behuizing van de schakelaar en trek de hendel voor het in-/uitschakelen van het blad (3) richting de handgreep (5).
- ◆ Houd de hendel voor het in-/uitschakelen van het blad met uw rechterhand tegen de handgreep. Duw nu de hendel voor het in-/uitschakelen van zelf rijden (2) met uw linkerhand richting de handgreep (5).
- ◆ U kunt beide hendels voor in-/uitschakelen tegelijk tegen de handgreep houden met uw linkerhand.

**Opmerking** Wanneer u het zelf rijden uitschakelt, bijvoorbeeld aan het einde van een baan, kan deze functie tijdelijk vergrendeld worden wanneer u de maaier naar achteren trekt. Duw de maaier een beetje naar voren en verplaats deze weer naar wens.

**Opmerking** Tijdens het maaien is het mogelijk eenvoudiger om rond objecten, zoals een boom of planten, te maaien als de functie voor zelf rijden is uitgeschakeld. De maaier kan gemakkelijk worden gebruikt terwijl de functie voor zelf rijden is uitgeschakeld.

## Mulch 'OP-AANVRAAG' (fig. N en O)

De grasmaaier beschikt over een functie op aanvraag waarmee de instelling voor mulchen, verzamelen in de zak of uitwerpen kan worden gewijzigd door een knop te draaien.

- ◆ Laat de hendel voor in-/uitschakelen (3) los om de grasmaaier uit te schakelen, wacht tot het blad stopt en verwijder de veiligheidssleutel (1).

### Uitwerpmodus:

- ◆ Verwijder de grasopvangbak.
- ◆ Controleer of de achterste uitwerplep stevig tegen het dek is geplaatst.
- ◆ Druk de knop voor 'Op aanvraag' in en draai deze zodat deze is uitgelijnd met 'DISCHARGE' (fig N).

**Opmerking** Uw maaier is nu ingesteld op de modus voor het uitwerpen aan de achterzijde. Het gemaaid gras wordt onder de uitgang van de gesloten klep op het gazon uitgeworpen.

### Modus voor verzamelen in de zak:

- ◆ Installeer de grasopvangbak.
- ◆ Controleer of de achterste uitwerplep stevig tegen de bovenkant van de grasopvangbak is geplaatst.
- ◆ Druk de knop voor 'Op aanvraag' in en draai deze zodat de knop is uitgelijnd met 'BAG' (fig N).

**Opmerking** Uw maaier is nu ingesteld op de modus voor verzamelen in de zak. Als u de modus voor uitwerpen aan de achterzijde wilt wijzigen, moet u de grasopvangbak verwijderen.

### Modus voor mulchen:

- ◆ Als u de modus voor mulchen wilt inschakelen, drukt u de knop voor op aanvraag in en draait u deze zodat de knop is uitgelijnd met het woord 'MULCH' (zie figuur O). Uw maaier is nu ingesteld op de modus voor mulchen.

**Opmerking** Als het moeilijk wordt om de knop voor op aanvraag te draaien, moet u mogelijk de dekgoot schoonmaken.

- ◆ Laat de hendel voor het in-/uitschakelen van het blad los om de maaier uit te zetten en wacht tot het blad volledig is gestopt. Verwijder vervolgens de veiligheidssleutel en de accu.
- ◆ Houd de achterste uitwerplep open en verwijder het afval uit de dekgoot. Reinig de onderkant van het dek ook indien nodig.

## De graszak installeren (fig. P & Q)

- ◆ Laat de hendel voor het in-/uitschakelen van het blad (3) los om de grasmaaier uit te schakelen, wacht tot het blad stopt en verwijder de veiligheidssleutel (1).

- ◆ Open de verende achterste uitwerplep (6) in de verticale positie en houd deze in de geopende positie.
- ◆ Gebruik de hendel (29) op de graszak (15) en installeer de graszak tussen de maaihandgrepen.
- ◆ Bevestig de ophanghaken van de graszak aan de maaier (fig. Q).
- ◆ Laat de achterste uitwerplep (6) los.

## Tips voor optimaal gebruik

Gazons moeten voor het eerst worden gemaaid in de lente, wanneer het gras ongeveer 63 mm tot 76 mm hoog is. Als te vroeg in het seizoen wordt gemaaid, worden de wortel-systemen van het gras beperkt. Deze vernieuwen zichzelf elke lente. Nieuw gras moet worden gemaaid wanneer het ongeveer 63 mm hoog is.

Verwijder niet teveel oppervlak van de grasspriet tegelijk, nooit meer dan 1/3 van de bladhoogte per maaibeurt. Te laag maaien geeft gevoelige grassprietten een 'schok'. Dit resulteert in een ondiep wortelsysteem waardoor uw gazon moeilijker water uit de grond kan halen.

Maai uw gazon wanneer het droog is, zodat u voorkomt dat nat gras klonten vormt. Als u de keus hebt, maai dan laat in de middag. Dit is de ideale tijd, niet alleen omdat het gras droog is maar ook omdat het gevoelige, pas gemaaide stuk gras niet aan sterk zonlicht wordt blootgesteld.

Houd het maaiblad scherp zodat het gras mooi recht wordt afgesneden. Dit verbetert de prestaties van de maaier en komt het uiterlijk van uw gazon te goede. Een bot blad verbrijzelt en kneust de graspunten. Dit schaadt de gezonde groei van uw gazon en verhoogt de vatbaarheid voor grasziekten. Gekneusde graspunten krijgen een bruinachtige kleur die uw gazon een ongezond uiterlijk geeft. Een bot mes kan ook jonge graszaailingen uittrekken.

Probeer uw gazon op een constante maaihoogte te maaien. Hoewel u de maaihoogte af en toe moet variëren met de wisselende seizoenen, produceert een constante maaihoogte een gezonder, mooier gazon met over het algemeen minder onkruid. Maai vaker in de periodes waarin het gras snel groeit. Vaak maaien zorgt ervoor dat het onderste, minder aantrekkelijke deel van het gras niet te zien is.

Als uw gazon te lang is geworden, bijvoorbeeld tijdens een vakantie, maai dan op een maaihoogte die een of twee posities hoger is dan normaal. Als u een paar dagen later nogmaals maait op de normale maaihoogte ligt uw gazon weer op schema. Met het Black & Decker One Touch-systeem voor aanpassing van de wielhoogte is het veranderen van de maaihoogte eenvoudig, omdat alle vier de wielen in een keer worden aangepast.

Tijdens de lente en de herfst, of na een onderbreking in het maaischema, is het gras langer en dikker. Probeer de wielen op een hogere maaihoogte in te stellen als de motor tijdens het maaien steeds vertraagt. Een te grote belasting van de motor kan resulteren in ongelijk maaien en snellere ontlading van de accu en kan ervoor zorgen dat de motor overbelast raakt, zodat deze stopt.

Er zijn drie goede manieren om het uiterlijk van uw gazon te verbeteren: Varieer de maairichting regelmatig; maai horizontaal op hellingen; (dit is ook goed voor de veiligheid) en vergeet niet om het maaipad bij elke passage te laten overlappen.

Maai het gras altijd zodanig dat de maairesten op het gemaaid gras worden verspreid. Zo blijft uw gazon er fris uitzien doordat er geen opbouw van gemaaid gras ontstaat. Dit wordt uiteindelijk bruin en ziet er lelijk uit. Deze methode houdt de accu ook beter opgeladen, waardoor u het meeste uit uw Black & Decker draadloze motormaaier haalt.

Tijdens de lente en de herfst, wanneer het gras langer en dikker is, kunt u uw maaier gebruiken zonder dat de accu volledig is opgeladen (d.w.z., het groene acculampje brandt). Zo kunt u korte maaitaken uitvoeren, hoewel we u niet aanraden dit vaak te doen. De accu en maaier presteren veel beter wanneer ze volledig zijn opgeladen.

## Maaitips

**Opmerking** Inspecteer altijd het gebied waar de grasmaaier gebruikt moet worden en verwijder alle stenen, takken, draden, hondenkluiven en andere brokstukken die door het roterende blad kunnen worden weggeslingerd.

- ◆ Maai dwars over het vlak van een helling, nooit omhoog en omlaag. Ga zeer voorzichtig te werk als u op een helling van richting verandert. Maai uitzonderlijk steile hellingen niet. Zorg altijd voor een goede steun voor uw voeten.
- ◆ Laat de hendel voor het in-/uitschakelen (3) los als u over grindoppervlakken loopt. De stenen kunnen door het roterende blad worden weggeslingerd.

- ◆ Stel de grasmaaier op de hoogste maaihoogte in als u een ruwe ondergrond of hoog onkruid maait. Als u te veel gras tegelijk verwijderd, kan de motor overbelast raken. In dat geval stopt de grasmaaier. Zie het hoofdstuk Problemen oplossen.

Als de graszak (15) wordt gebruikt tijdens periodes waarin het gras zeer snel groeit, kan het gras bij de uitwerping een verstopping veroorzaken.

- ◆ Laat de hendel voor in-/uitschakelen (3) los om de grasmaaier uit te schakelen en verwijder de veiligheidsleutel (1).
- ◆ Verwijder de graszak (15) en schud het gras naar de achterkant van de zak.
- ◆ Verwijder het gras of de rommel die zich rond de uitwerping bevindt.
- ◆ Plaats de graszak (15) terug.

Als de grasmaaier abnormaal begint te trillen:

- ◆ Laat de hendel voor in-/uitschakelen (3) direct los zodat de grasmaaier uitschakelt en verwijder de veiligheidsleutel (1) en de accu (11).
- ◆ Onderzoek de oorzaak van de trilling. Trillingen zijn een waarschuwing. Gebruik de grasmaaier niet tot er een servicecontrole is uitgevoerd. Zie het hoofdstuk Problemen oplossen in de handleiding.

**Opmerking** Laat altijd de hendel voor in-/uitschakelen los om de grasmaaier uit te schakelen en verwijder de veiligheidsleutel als u de maaier onbeheerd achterlaat, ook als dit slechts voor korte tijd is.

Met behulp van de volgende suggesties kan uw draadloze maaier de optimale looptijd behalen:

- ◆ Ga langzamer op plekken waar het gras zeer lang of dik is.
- ◆ Haal bij mulchen per keer niet meer dan 38 mm van de lengte af.
- ◆ Maai niet als het gras nat is.
- ◆ Maai uw gazon regelmatig, vooral tijdens periodes van sterke groei.

**Opmerking** Aangeraden wordt uw grasmaaier na elk gebruik op te laden. Regelmatig opladen schaadt de accu niet en zorgt ervoor dat de accu volledig is opgeladen.

## Maaitips voor mulchen

Bij het mulchen voert uw grasmaaier een bewerking uit waarbij het gemaaid gras in kleine stukjes wordt gesneden en weer op het gazon wordt verdeeld. Onder normale omstandigheden breekt het gemulchte gras snel af, zodat het voedingsstoffen aan het gazon afgeeft.

Aanbevelingen voor optimale mulchprestaties:

- ◆ Maai niet als het gras nat is. Nat gras kan klonten vormen die de mulchbewerking verstoren en de looptijd verminderen. Gras kan het beste 's middags worden gemaaid wanneer het droog is en het pas gemaaide deel niet aan rechtstreeks zonlicht wordt blootgesteld.
- ◆ Stel voor de beste mulchprestaties de maaioogte in op het verwijderen van ongeveer een derde van de graslengte, idealiter niet meer dan 38 mm per keer. Als het gazon verwilderd is, kan het nodig zijn om de maaioogte te verhogen om de duwspanningen te verminderen en te voorkomen dat de motor overbelast raakt.
- ◆ Voor zeer zwaar mulchen wordt geadviseerd om eerst met een hoog ingestelde maaioogte te maaien en dan over te gaan op de uiteindelijke maaioogte, of om kleinere overgangen te maken en langzaam te maaien.

Voor de beste prestaties voorkomt u dat gras zich ophoopt op de behuizing van de grasmaaier:

- ◆ Laat de hendel voor in-/uitschakelen (3) los om de grasmaaier uit te zetten en wacht tot het blad volledig is gestopt.
- ◆ Verwijder de veiligheidssleutel (1) en de accu (11) en draai de grasmaaier op zijn zij.
- ◆ Gebruik een botte krabber om de ophoping van gras in het snijbladgebied te verwijderen. Wees voorzichtig, de bladen hebben scherpe randen. Reinig vaker bij het maaien van overdadig groeiend gras en altijd na elk gebruik.

Voor bepaalde typen gras of grasomstandigheden kan het nodig zijn dat een gebied een tweede maal moet worden gemulcht om het gras volledig over het gazon te verdelen.

Als u een tweede maal maait, raden we aan om loodrecht (recht) op het eerste maaipatroon te maaien. Wijzig het maaipatroon echter niet zodanig dat u heuvel af moet maaien.

- ◆ Wijzig uw maaipatroon elke week. Dat helpt voorkomen dat het gazon wordt geplet.

## Onderhoud

Uw Black & Decker-gereedschap/apparaat (met netsnoer/snoerloos) is ontworpen om gedurende langere tijd te functioneren met een minimum aan onderhoud. U kunt het gereedschap/apparaat naar volle tevredenheid blijven gebruiken als u voor correct onderhoud zorgt en het gereedschap/apparaat regelmatig schoonmaakt.

Naast regelmatige reiniging vereist de lader geen onderhoud.

**Waarschuwing!** Doe altijd het volgende voordat u onderhouds- of reinigingswerkzaamheden aan het gereedschap (met snoer/snoerloos) uitvoert.

- ◆ Schakel het gereedschap/apparaat uit en trek de stekker uit het stopcontact.
- ◆ Als het gereedschap/apparaat een afzonderlijke accu heeft, schakelt u het gereedschap/apparaat uit en haalt u de accu eruit.
- ◆ Als de accu is ingebouwd, laat u deze volledig ontladen. Schakel dan het apparaat uit.
- ◆ Neem de lader uit het stopcontact voordat u deze schoonmaakt. Naast regelmatige reiniging vereist de lader geen onderhoud.
- ◆ Reinig regelmatig de ventilatieopeningen van het gereedschap/apparaat en de lader met een zachte borstel of droge doek.
- ◆ Reinig de behuizing van de motor regelmatig met een vochtige doek. Gebruik geen schuur- of oplosmiddel.
- ◆ Gebruik regelmatig een botte krabber om gras en vuil van onder de beschermkap te verwijderen.

## Het blad verwijderen en installeren (fig. R & S)

**Waarschuwing!** Raak het blad niet aan voordat de veiligheidssleutel is verwijderd en de bladen volledig tot stilstand zijn gekomen.

- ◆ Laat de hendel voor in-/uitschakelen (3) los om de maaier uit te schakelen, wacht tot het blad stopt en verwijder de veiligheidssleutel (1).
- ◆ Gebruik een stuk hout (ongeveer 50 mm x 100 mm x 600 mm lang) om te voorkomen dat het blad draait terwijl u de flensmoer verwijdert.
- ◆ Draai de maaier op zijn zij.

**Waarschuwing!** Draag handschoenen en geschikte oogbescherming. Wees voorzichtig, de bladen hebben scherpe randen.

- ◆ Plaats het stuk hout (32) en verwijder de flensmoer (30) met een moersleutel van 19 mm (31) (fig. R).
- ◆ Verwijder de vierkante metalen afstandhouder (37), de vierkante plastic bladisolator (33) en het blad (34) (fig S). Controleer de bladisolator (35) op schade en vervang deze indien nodig.

Zorg ervoor dat bij het terugplaatsen van het blad de graszijde van het blad naar de grond wijst wanneer de maaier weer in zijn normale rechte positie staat.

- ◆ Plaats na het installeren van het blad de bladisolator (35) zodanig op het blad dat de verhoogde randen aan een kant in de randen van het blad (34) grijpen.

- ◆ Installeer de afstandhouder van het blad (36) zodat deze zich binnen de verhoogde rand op de andere kant van de bladisolator (35) bevindt. Zorg ervoor dat de platte delen in de opening van de afstandhouder van het blad (36) zijn uitgelijnd met de platte delen in de schacht door het blad en de bladisolator zoals gewenst te draaien.
- ◆ Plaats het stuk hout (32) om te voorkomen dat het blad draait (fig. R).
- ◆ Installeer de flensmoer (30) met de flens tegen de vierkante metalen afstandhouder van het blad (37) en draai deze vast.

## Bladen slijpen (fig. T)

Houd voor de beste prestaties het blad scherp. Een bot blad snijdt het gras niet goed af en mulcht niet goed.

**Waarschuwing!** Zorg er altijd voor dat de veiligheidssleutel is verwijderd.

**Waarschuwing!** Draag geschikte oogbescherming als u een blad verwijderd, slijpt en installeert.

Onder normale omstandigheden is tweemaal slijpen tijdens een maaiseizoen meestal voldoende. Zand zorgt ervoor dat het blad snel bot wordt. Als uw gazon zanderige aarde heeft, kan het nodig zijn om het blad vaker te slijpen.

- ◆ Vervang gebogen of beschadigde bladen direct.

### Bij het slijpen van het mes:

- ◆ Zorg ervoor dat het blad in balans blijft.
- ◆ Slijp het mes in de originele snijhoek.
- ◆ Slijp de snijkanten aan beide zijden van het blad en verwijder gelijke hoeveelheden materiaal van beide zijden.

### Een blad slijpen in een bankschroef (fig. T)

- ◆ Laat de hendel voor in-/uitschakelen (3) los om de grasmaaier uit te zetten en wacht tot het blad volledig is gestopt.
- ◆ Verwijder de veiligheidssleutel (1) en de accu (11) en draai de grasmaaier op zijn zij.
- ◆ Verwijder het blad (34) van de maaier; zie de instructies voor het verwijderen en installeren van bladen.

**Waarschuwing!** Draai geschikte oogbescherming en handschoenen en let op de scherpe randen van het blad.

- ◆ Plaats het blad (34) in een bankschroef.
- ◆ Vijl de snijkanten van het blad voorzichtig met een fijngetande vijl of een slijpsteen. Behoud de originele snijkant.
- ◆ Controleer de balans van het blad; zie de instructies voor bladbalans.

- ◆ Installeer het blad (34) op de maaier en zet stevig vast; zie de instructies voor het verwijderen en installeren van bladen.

## Bladbalans (fig. U)

- ◆ Controleer de balans van het blad door het middengat in het blad op een spijker of de ronde steel van een schroevendraaier te plaatsen die horizontaal in een bankschroef is geklemd. Als een van de zijden van het blad naar beneden draait slijpt u dat uiteinde van het blad tot het blad in balans is.

## Smring

Smeren is niet nodig. Olie de wielen niet. Ze hebben plastic lageroppervlakken waar geen smring voor nodig is.

## Reinigen

- ◆ Laat de hendel voor in-/uitschakelen (3) los om de grasmaaier uit te zetten en wacht tot het blad volledig is gestopt.
- ◆ Verwijder de veiligheidssleutel (1).
- ◆ Gebruik alleen milde zeep en een vochtige doek om de maaier te reinigen.
- ◆ Gebruik een bot stuk gereedschap om grasresten te verwijderen die zich aan de onderzijde van de maaier hebben verzameld.
- ◆ Controleer na meerdere malen gebruiken of alle blootgestelde bevestigingen nog vast zitten.

## Roest voorkomen

Meststoffen en andere tuinchemicaliën bevatten stoffen die de roestvorming van metalen sterk versnellen. Als u gebieden maait waar meststoffen of andere chemicaliën zijn gebruikt, moet de maaier daarna onmiddellijk als volgt worden gereinigd:

- ◆ Laat de hendel voor in-/uitschakelen (3) los om de grasmaaier uit te zetten en wacht tot het blad volledig is gestopt.
- ◆ Verwijder de veiligheidssleutel (1).
- ◆ Neem alle blootgestelde onderdelen af met een vochtige doek.

## Transport en opslag

**Waarschuwing!** Het roterende blad kan ernstige verwondingen veroorzaken. Laat de hendel voor in-/uitschakelen los om de maaier uit te zetten en verwijder de veiligheidssleutel voordat u de maaier optilt, transporteert of opslaat. Op een droge plaats opslaan.

**Opmerking:** De maaiër is minder zwaar om op te tillen als eerst de accu wordt verwijderd. Gebruik de klink niet om de maaiër aan op te tillen.

### Opslag buiten het seizoen

In warme klimaten wordt aanbevolen de accu altijd aan de lader te houden om optimale prestaties te garanderen.

De accu kan worden opgeslagen met ontkoppelde lader als aan de volgende voorwaarden wordt voldaan.

- ◆ De accu is voorafgaand aan de opslag volledig opgeladen.
- ◆ De gemiddelde temperatuur van de opslaglocatie is lager dan 10°C (50°F).

### Bescherming van het milieu



Aparte inzameling. Dit product mag niet met normaal huishoudelijk afval worden weggegooid.

Mocht u op een dag constateren dat het Black & Decker-product aan vervanging toe is of dat u het apparaat niet meer nodig hebt, gooi het product dan niet bij het restafval. Het product valt onder de categorie voor elektrische apparaten.



Gescheiden inzameling van gebruikte producten en verpakkingsmaterialen maakt het mogelijk materialen te recyclen en opnieuw te gebruiken. Hergebruik van gerecycleerde materialen zorgt voor minder milieuvuiling en dringt de vraag naar grondstoffen terug.

Plaatselijke verordeningen kunnen voorzien in gescheiden inzameling van huishoudelijke elektrische producten via gemeentelijke stortplaatsen of via de leverancier bij wie u een nieuw product aanschaft.

Black & Decker biedt de mogelijkheid tot het recyclen van afgedankte Black & Decker-producten. Om gebruik te maken van deze service, dient u het product naar een van onze servicecentra te sturen, die de inzameling voor ons verzorgen.

U kunt het adres van het dichtstbijzijnde Black & Decker-servicecentrum opvragen via de adressen op de achterzijde van deze handleiding. U kunt ook een lijst van onze servicecentra en meer informatie m.b.t. onze klantenservice vinden op het volgende internetadres: [www.2helpU.com](http://www.2helpU.com)

### Batterijen



Gooi afgedankte batterijen op verantwoorde wijze weg:

- ◆ Ontlaad de batterij volledig en verwijder deze vervolgens uit het gereedschap.
- ◆ NiCd-, NiMH- en lithium-ionbatterijen kunnen worden gerecycled. Plaats de accu(s) in een geschikte verpakking om te voorkomen dat de polen worden kortgesloten. Breng deze naar een servicecentrum of een inzamellocatie in uw woonplaats.
- ◆ Voorkom dat de polen van de batterij worden kortgesloten.
- ◆ Gooi accu's niet in het vuur. Dit kan letsel of een explosie tot gevolg hebben.

### Technische gegevens

		GRC4736SD H 1
Ingangsspanning	V <sub>DC</sub>	36
Onbelaste snelheid	min <sup>-1</sup>	3300
Gewicht	kg	41
Accu		A1236
Spanning	V <sub>dc</sub>	36
Capaciteit	Ah	12
Type		Loodzuur
Lader		905521** typ. 1
Ingangsspanning	V <sub>AC</sub>	220 - 240
Uitgangsspanning	V <sub>DC</sub>	36
Laadstroom	mA	800
Opladtid ca.	uur	16

Gewogen waarde van hand-arm-trilling, gemeten volgens EN 786:

= < 2.5 m/s<sup>2</sup>; onzekerheid (K) = 1,5 m/s<sup>2</sup>.

L<sub>pa</sub> (geluidsdruk) 79 dB(A)  
onzekerheid (K) = 2 dB(A)



**EG-conformiteitsverklaring**

MACHINERICHTLIJN

RICHTLIJN VOOR GELUID BUITENSHUIS



GRC4736SD

Black & Decker verklaart dat deze producten, die zijn beschreven bij "Technische gegevens", voldoen aan:  
2006/42/EG, EN 60335-1, EN 60335-2-91

2000/14/EC, gazonmaaier, L < 50cm, Annex VI,  
DEKRA Certification B.V., Utrechtseweg 310, ED Arnhem  
Netherlands  
Aangemelde instantie ID Nr.: 0344

Niveau van akoestisch vermogen volgens 2000/14/EG  
(Artikel 12, bijlage III, L ≤ 50 cm):  
L<sub>WA</sub> (gemeten geluidsvermogen) 93 dB(A)  
onzekerheid (K) = 2 dB(A)  
L<sub>WA</sub> (gegarandeerd geluidsvermogen) 95 dB(A)  
onzekerheid (K) = 2 dB(A)

Deze producten voldoen tevens aan de richtlijn 2004/108/EG  
& 2011/65/EU.

Neem voor meer informatie contact op met Black & Decker  
op het volgende adres of raadpleeg de achterzijde van de  
handleiding.

Ondergetekende is verantwoordelijk voor de compilatie van  
het technische bestand en geeft deze verklaring namens  
Black & Decker af.

Kevin Hewitt  
Vice-President Global Engineering  
Black & Decker Europe, 210 Bath Road, Slough,  
Berkshire, SL1 3YD  
Verenigd Koninkrijk  
01-10-2009

**Garantie**

Black & Decker heeft vertrouwen in haar producten en biedt een uitstekende garantie. Deze garantiebepalingen vormen een aanvulling op uw wettelijke rechten en beperken deze niet. De garantie geldt in de lidstaten van de Europese Unie en de Europese Vrijhandelsassociatie.

Mocht uw Black & Decker product binnen 24 maanden na de datum van aankoop defect raken ten gevolge van materiaal- of constructiefouten, dan garanderen wij de kosteloze vervanging van defecte onderdelen, de reparatie van het product of de vervanging van het product, tenzij:

- ◆ Het product is gebruikt voor handelsdoeleinden, professionele toepassingen of verhuurdoeleinden.
- ◆ Het product onoordeelkundig is gebruikt.
- ◆ Het product is beschadigd door invloeden van buitenaf of door een ongeval.
- ◆ Reparaties zijn uitgevoerd door anderen dan onze servicecentra of Black & Decker-personeel.

Om een beroep te doen op de garantie, dient u een aankoopbewijs te overhandigen aan de verkoper of een van onze servicecentra. U kunt het adres van het dichtstbijzijnde Black & Decker-servicecentrum opvragen via de adressen op de achterzijde van deze handleiding. U kunt ook een lijst van Black & Decker-servicecentra en meer informatie m.b.t. onze klantenservice vinden op internet op: [www.2helpU.com](http://www.2helpU.com)

Meld u aan op onze website [www.blackanddecker.nl](http://www.blackanddecker.nl) om te worden geïnformeerd over nieuwe producten en speciale aanbiedingen. Verdere informatie over het merk Black & Decker en onze producten vindt u op [www.blackanddecker.nl](http://www.blackanddecker.nl).

## Uso previsto

El cortacésped de Black & Decker se ha diseñado para cortar hierba. Este aparato se ha diseñado únicamente para uso doméstico.

## Instrucciones de seguridad

**¡Atención!** Si utiliza aparatos inalámbricos, es necesario seguir las precauciones de seguridad básicas, incluidas las que se indican a continuación, para reducir el riesgo de incendios, descargas eléctricas, lesiones personales y daños materiales.

**¡Atención!** Cuando utilice el aparato se deben seguir las normas de seguridad. Por su propia seguridad y por la de otras personas, lea estas instrucciones antes de utilizar el aparato. Conserve estas instrucciones para consultarlas en un futuro.

- ◆ Lea todo el manual detenidamente antes de utilizar el aparato.
- ◆ En este manual se describe el uso para el que se ha diseñado el aparato. La utilización de accesorios o la realización de operaciones distintas de las recomendadas en este manual de instrucciones puede presentar un riesgo de lesiones.
- ◆ Conserve este manual para futuras consultas.

## Utilización del aparato

Tenga mucho cuidado al utilizar el aparato.

- ◆ Este aparato está pensado para utilizarse con la supervisión correspondiente en el caso de menores o personas que no cuentan con la fuerza necesaria.
- ◆ Este aparato no es un juguete.
- ◆ Evite que los niños y animales se acerquen a la zona de trabajo y toquen el aparato o el cable de alimentación.
- ◆ Procure tener cuidado si utiliza el aparato cerca de niños.
- ◆ Utilícelo únicamente en lugares secos. Tenga cuidado de no mojar el aparato.
- ◆ No sumerja el aparato en agua.
- ◆ No abra la carcasa. Las piezas del interior del aparato no pueden ser reparadas por el usuario.
- ◆ No utilice el aparato en un entorno con peligro de explosión como, por ejemplo, en presencia de líquidos, gases o materiales en polvo inflamables.
- ◆ Para evitar dañar las clavijas y los cables, no tire del cable para extraer la clavija de la toma de corriente.

## Después de la utilización

- ◆ Cuando el aparato no esté en uso, deberá guardarse en un lugar seco, bien ventilado y lejos del alcance de los niños.
- ◆ Los niños no deben tener acceso a los aparatos guardados.
- ◆ Cuando se guarde o transporte el aparato en un vehículo, deberá colocarse en el maletero o asegurarse para evitar movimientos producidos por cambios repentinos en la velocidad o la dirección.

## Inspecciones y reparaciones

- ◆ Antes de utilizarlo, compruebe que el aparato no tiene piezas dañadas o defectuosas. Compruebe que no existan piezas rotas, enchufes dañados ni otros problemas que puedan afectar a su funcionamiento.
- ◆ No utilice el aparato si presenta alguna pieza dañada o defectuosa.
- ◆ Solicite a un agente de servicio técnico autorizado la reparación o sustitución de las piezas dañadas o defectuosas.
- ◆ Nunca intente extraer ni sustituir ninguna pieza que no esté especificada en este manual.

## Instrucciones de seguridad adicionales para cortacéspedes

- ◆ Cuando utilice el cortacésped, agarre firmemente la empuñadura con ambas manos.
- ◆ Si en algún momento resulta necesario inclinar el cortacésped, asegúrese de mantener ambas manos en la posición de trabajo mientras el cortacésped se encuentre inclinado. Mantenga ambas manos en la posición de trabajo hasta volver a colocar el cortacésped correctamente en el suelo.
- ◆ No utilice nunca el cortacésped si lleva puestos unos auriculares de un dispositivo de radio o de música.
- ◆ No intente nunca ajustar la altura de una rueda con el motor en marcha o con la llave de seguridad dentro del interruptor.
- ◆ Si el cortacésped se paraliza, suelte la maneta para parar el motor, espere a que la cuchilla se detenga y retire la llave de seguridad antes de intentar desatascar el conducto de descarga o retirar algún objeto de debajo de la cubierta.
- ◆ Mantenga las manos y los pies alejados de la zona de corte.
- ◆ Mantenga las hojas afiladas. Utilice guantes protectores siempre que manipule la cuchilla del cortacésped.
- ◆ Si utiliza la bolsa de recolección (5), compruebe su estado de manera periódica para evitar que se desgaste o se deteriore. Si está muy desgastada, por razones de seguridad deberá sustituirla por una bolsa nueva.

- ◆ Extreme las precauciones cuando gire el cortacésped o cuando tire de él hacia usted.
- ◆ No coloque las manos ni los pies cerca o debajo del cortacésped. Manténgase alejado de la apertura del mecanismo de descarga en todo momento.
- ◆ Limpie el área donde va a utilizar el cortacésped para evitar la presencia de objetos, tales como rocas, bastones, cables, juguetes, huesos, etc., que podrían salir despedidos cuando la cuchilla pasase por encima de ellos, y causar graves daños personales. Manténgase detrás de la empuñadura cuando el motor esté en marcha.
- ◆ No utilice el cortacésped descalzo o con sandalias. Lleve siempre un calzado adecuado.
- ◆ No tire del cortacésped hacia atrás si no es absolutamente necesario. En ese caso, mire siempre abajo y detrás antes y durante el movimiento del aparato.
- ◆ Evite que el material descargado vaya a parar encima de ninguna persona. No descargue el material contra una pared o una obstrucción, ya que podría rebotar hacia usted. Suelte la maneta para detener el motor del cortacésped y detener la cuchilla cuando pase por encima de superficies con grava.
- ◆ No utilice la herramienta sin la bolsa de recolección, el protector de descarga, el protector trasero u otros dispositivos de seguridad colocados y en funcionamiento. Revise de forma periódica todos los protectores y dispositivos de seguridad a fin de comprobar que se encuentren en buen estado para funcionar correctamente y llevar a cabo su función. Sustituya los protectores o dispositivos de seguridad dañados antes de seguir usando la herramienta.
- ◆ No deje nunca desatendido un cortacésped en funcionamiento. Retire siempre la llave de seguridad si va a dejar el cortacésped desatendido.
- ◆ Suelte siempre la maneta para parar el motor, espere a que la cuchilla se haya detenido por completo y retire la llave de seguridad antes de limpiar el cortacésped, retirar la bolsa de recolección, desatascar el protector de descarga, dejar de utilizar el cortacésped o realizar algún ajuste, reparación o revisión.
- ◆ Utilice el cortacésped únicamente a la luz del día o con iluminación artificial adecuada cuando los objetos situados hacia la cuchilla sean claramente visibles desde la zona de operación de la herramienta.
- ◆ No utilice el cortacésped si está cansado o enfermo, ni tampoco después de haber consumido alcohol o drogas. Esté siempre atento a lo que hace y sea prudente.
- ◆ Evite las situaciones peligrosas. No utilice nunca el cortacésped con hierba mojada o húmeda, ni bajo la lluvia. Manténgase en todo momento firmemente apoyado en el suelo y no corra.
- ◆ Si el cortacésped vibra de forma anormal, suelte la maneta, espere a que la cuchilla se detenga y retire la llave de seguridad antes de intentar encontrar la causa de dicha vibración. La vibración suele indicar la presencia de un problema. Consulte la guía de solución de problemas para obtener indicaciones en caso de que se produzca una vibración anómala.
- ◆ Lleve siempre protección ocular y respiratoria cuando utilice el cortacésped.
- ◆ El uso de esta herramienta con cualquier accesorio no recomendado podría resultar peligroso. Utilice solamente accesorios que cuenten con la aprobación de Black & Decker.
- ◆ Sea precavido cuando utilice el cortacésped. Mantenga un apoyo firme sobre el suelo y conserve el equilibrio en todo momento cuando utilice el cortacésped.
- ◆ Trabaje en sentido transversal a la pendiente, nunca hacia arriba o abajo. Tenga sumo cuidado al cambiar de sentido en las pendientes.
- ◆ Permanezca atento a los agujeros, los surcos, los baches, las rocas y otros objetos ocultos. Las superficies irregulares pueden provocar resbalones y caídas. El césped alto puede ocultar obstáculos.
- ◆ No utilice el cortacésped con hierba húmeda ni en pendientes muy pronunciadas. El uso de calzado poco adecuado puede provocar resbalones y caídas.
- ◆ No utilice el cortacésped cerca de pendientes pronunciadas, acequias o diques, ya que podría perder el equilibrio o caerse.

### Seguridad de terceros

- ◆ Ninguna persona (incluyendo niños) con capacidades físicas, sensoriales o mentales disminuidas, o que carezca de experiencia y conocimientos, debe utilizar este aparato, salvo que haya recibido supervisión o formación con respecto al uso del aparato por parte de una persona responsable de su seguridad.
- ◆ Los niños deben vigilarse en todo momento para garantizar que el aparato no se toma como elemento de juego.

### Riesgos residuales.

El uso de esta herramienta puede producir riesgos residuales adicionales no incluidos en las advertencias de seguridad adjuntas. Estos riesgos se pueden generar por un uso incorrecto, demasiado prolongado, etc.

El cumplimiento de las normas de seguridad correspondientes y el uso de dispositivos de seguridad no evitan ciertos riesgos residuales. Estos riesgos incluyen:

- ◆ **Lesiones producidas por el contacto con piezas móviles o gíatorias.**

- ◆ Lesiones producidas al cambiar cualquier pieza, cuchilla o accesorio.
- ◆ Lesiones producidas al usar una herramienta por un tiempo demasiado prolongado. Si utiliza una herramienta durante períodos de tiempo demasiado prolongados, asegúrese de realizar pausas con frecuencia.
- ◆ Discapacidad auditiva.
- ◆ Riesgos para la salud producidos al respirar el polvo que se genera al usar la herramienta (por ejemplo: en los trabajos con madera, especialmente de roble, haya y tableros de densidad mediana).



Una vez apagada la máquina, las cuchillas continuarán girando.



Directiva 2000/14/CE sobre la potencia acústica garantizada.

## Símbolos de advertencia

El aparato cuenta con los siguientes símbolos de advertencia:



¡Atención! Lea el manual antes de utilizar el aparato.



No exponga el aparato a la lluvia ni a la humedad.



Tenga cuidado con las cuchillas afiladas. Retire siempre la llave de seguridad antes de limpiar el cortacésped, retirar la bolsa de recolección, desatascar el protector de descarga, dejar de utilizar el cortacésped o realizar algún ajuste, reparación o revisión.



Tenga cuidado con los objetos que salen volando. Mantenga a otras personas alejadas de la zona de corte.



Utilice protectores para los ojos

## Instrucciones de seguridad adicionales para baterías y cargadores

### Baterías

- ◆ No intente abrirlas bajo ningún concepto.
- ◆ No exponga la batería al agua.
- ◆ No exponga la batería al calor.
- ◆ No las almacene en lugares en los que la temperatura pueda superar los 40 °C.
- ◆ Realice la carga únicamente a una temperatura ambiente de entre 10 °C y 40 °C.
- ◆ Utilice únicamente el cargador suministrado con el aparato o la herramienta para realizar la carga. La utilización de un cargador incorrecto podría provocar una descarga eléctrica o el recalentamiento de la batería.
- ◆ Para desechar las pilas o las baterías, siga las instrucciones facilitadas en la sección "Protección del medio ambiente".
- ◆ No dañe ni deforme la batería mediante perforaciones o golpes, ya que puede suponer un riesgo de incendio y de lesiones.
- ◆ No cargue baterías dañadas.
- ◆ Es posible que se produzcan fugas en las baterías en condiciones extremas. Cuando observe que se producen fugas en las baterías, limpie cuidadosamente el líquido con un paño. Evite el contacto con la piel.
- ◆ En caso de que se produzca contacto con la piel o los ojos, siga las instrucciones facilitadas a continuación.

**¡Atención!** El líquido de las baterías puede provocar lesiones o daños materiales. En caso de que se produzca contacto con la piel, lave la zona con agua inmediatamente. Si se produce enrojecimiento, dolor o irritación, solicite atención médica. En caso de contacto con los ojos, lave la zona inmediatamente con agua limpia y solicite atención médica.

No intente cargar baterías dañadas.



## Cargadores

El cargador se ha diseñado para un voltaje específico.

Cada vez que utilice el aparato, debe comprobar que el voltaje de la red eléctrica coincide con el valor indicado en la placa de datos.

**¡Atención!** No intente sustituir el cargador por un enchufe convencional para la red eléctrica.

- ◆ Para cargar la batería del aparato o herramienta, utilice únicamente el cargador Black & Decker suministrado. En caso de intentar cargar otras baterías, estas podrían explotar, lo que podría provocar lesiones y daños personales.
- ◆ Nunca intente cargar baterías no recargables.
- ◆ Si se dañara el cable de alimentación, deberá ser sustituido por el fabricante o por un centro de asistencia técnica autorizado de Black & Decker para evitar cualquier situación de riesgo.
- ◆ No exponga el cargador al agua.
- ◆ No abra el cargador.
- ◆ No aplique ningún dispositivo para medir la resistencia del cargador.
- ◆ El aparato, la herramienta o la batería deben colocarse en una zona correctamente ventilada durante la carga.



Este cargador está pensado únicamente para utilizarse en un lugar interior.



Lea el manual de instrucciones antes de utilizar el aparato.

## Seguridad eléctrica



El cargador está provisto de doble aislamiento, por lo que no requiere una toma de tierra. Cada vez que utilice el aparato, debe comprobar que el voltaje de la red eléctrica corresponde con el valor indicado en la placa de características. No intente sustituir el cargador por un enchufe convencional para la red eléctrica.

- ◆ Si se dañara el cable de alimentación, deberá ser sustituido por el fabricante o por un centro de asistencia técnica autorizado de Black & Decker para evitar cualquier situación de riesgo.

## Características

Este aparato incluye una o más de las siguientes características.

1. Llave de seguridad
2. Maneta
3. Mango de suspensión del accionamiento automático
4. Palanca de control de la velocidad
5. Empuñadura de barra
6. Compuerta trasera accionada por resorte
7. Selector de ajuste del mango
8. Pernos de ajuste del mango
9. Cierre de la batería
10. Palanca de la batería
11. Batería extraíble
12. Mantillo: regulador según requerimiento
13. Elevador de la altura de corte
14. Indicador de la altura del corte
15. Bolsa de recolección

## Montaje

**¡Atención!** Antes de proceder al montaje, compruebe que la herramienta está apagada y desenchufada.

## Desembalaje (figs. A y B)

**¡Atención!** Punto en el que existe peligro de pillarse los dedos: para evitar pillarse los dedos, manténgalos alejados del área situada entre el mango y las placas.

- ◆ Corte cuidadosamente los laterales de la caja en el extremo opuesto del mango y doble la solapa hacia abajo tal y como se indica.
- ◆ Tras cortar el lateral del cartón para abrirlo, extraiga el cartón de relleno, el cargador, la bolsa auxiliar y la bolsa de recolección y empuje el cortacésped hacia fuera del cartón abierto.

**¡Atención!** Cuchilla móvil afilada. Mantenga las partes del cuerpo alejadas de la cuchilla.

## Montaje del mango (fig. C)

Herramientas necesarias para el montaje, no suministradas:  
Llave ajustable o fija de 13 mm:

- ◆ Coloque el mango de manera que los orificios (5) estén alineados con los orificios de la (16) placa. Los selectores de ajuste rápido del mango (7) quedarán alineados con los orificios superiores de la (16) placa lateral.
- ◆ Coloque los pernos de ajuste del mando (8) a través de los orificios (5) del mango y páselos por la placa (16). Antes de ajustarlos, repita el procedimiento en el lado opuesto.
- ◆ Ajuste firmemente los pernos de ajuste del mango (8) utilizando la llave ajustable o fija de 13 mm.
- ◆ Para establecer la altura deseada del mango consulte el ajuste del mango. No empuje ni utilice el cortacésped a menos que el mango esté debidamente sujeto y seguro en el cortacésped.

**¡Atención!** Punto en el que existe peligro de pillarse los dedos: para evitar pillarse los dedos, manténgalos alejados del área situada entre el mango (5) y las placas (16).

## Ajuste del mango (fig. D)

El cortacésped dispone de una función de ajuste de la altura del mango. Para ajustar la posición del mango de modo que se adapte a la altura que prefiera, lleve a cabo el siguiente procedimiento:

- ◆ Sujete el mango (5) con una mano, tire hacia afuera y gire el selector de ajuste del mango (7) un cuarto de vuelta para soltar la clavija del orificio de la placa metálica.
- ◆ Repita el procedimiento en el lado opuesto. Ahora el mango (5) puede moverse libremente a otra posición de altura.
- ◆ Mueva el mango a la altura que desee.
- ◆ Tire hacia afuera y gire el selector de ajuste del mango (7) un cuarto de vuelta para volver a insertar la clavija del orificio de la placa metálica. Repita el procedimiento en el lado opuesto.

## Colocación de la bolsa de recolección (figs. E y F)

- ◆ Deslice la bolsa de recolección (15) en el marco (17).
- ◆ Coloque las pinzas superiores de la bolsa de recolección en el marco.
- ◆ Coloque las dos pinzas laterales en el marco seguidas de la pinza inferior.

## Ajuste de la altura de la rueda (figs. G y H)

El cortacésped dispone del sistema de ajuste de la altura de las ruedas Black & Decker One-Touch Wheel-Height. Este sistema permite ajustar las cuatro ruedas al mismo tiempo.

El cortacésped dispone de siete posiciones de ajuste de la altura de la cuchilla (entre 38 mm y 89 mm). Consulte la escala y el puntero que se encuentran en la parte frontal del cortacésped. El puntero indicará el ajuste de la altura de corte del césped. Este ajuste puede utilizarse como referencia para la próxima vez que desee cortar el césped a la misma altura.

- ◆ Suelte la maneta (3) para apagar el cortacésped, espere a que la cuchilla se detenga y retire la llave de seguridad (1).
- ◆ Para aumentar o reducir la altura de corte, coloque la palma de la mano en el apoyamanos (18) y con los dedos, pulse la empuñadura de los dedos hacia arriba (19) y manténgala en esa posición.
- ◆ Mientras sujeta la empuñadura de los dedos (19), aumente o reduzca la altura de corte según sea necesario. El indicador de altura mostrará el ajuste actual (fig. H).
- ◆ Cuando el cortacésped se encuentre a la altura deseada, manténgalo en esa posición con la mano izquierda en la empuñadura de barra inferior derecha y suelte la empuñadura de los dedos (19) para fijar el ajuste de la altura.

**Nota:** Para asegurarse de que el cortacésped se encuentra fijado de manera segura en una de las posiciones de corte, presione el apoyamanos después de soltar la empuñadura de los dedos.

## Extracción e inserción de la batería (figs. I y K)

La batería (11) puede extraerse del cortacésped para almacenarla o cargarla, o puede dejarse en el cortacésped para cargarla.

### Antes de extraer la batería:

- ◆ Coloque el cortacésped sobre una superficie nivelada.
- ◆ Suelte la maneta (3) para apagar el cortacésped, espere a que la cuchilla se detenga y retire la llave de seguridad (1).

### Para extraer la batería:

- ◆ Levante la palanca de la batería (10) para soltar el cierre de la batería (9) y, a continuación, tire de ella en dirección contraria a la batería. Extraiga la batería.

### Para instalar la batería

Antes de instalar la batería, asegúrese de que el cortacésped esté libre de restos de suciedad y que el conector del cargador (20) esté desconectado de la batería (11).

- ◆ Deslice la batería en el cortacésped (la batería solo se ajustará hacia una dirección).

- ◆ Fije la batería en el cortacésped mediante el acople de los cierres de la batería (9) en el borde la batería (11) y, a continuación, empuje hacia abajo la palanca de la batería (10) hasta que encaje en su lugar.

## Uso

**¡Atención!** Deje que el aparato funcione a su ritmo. No la sobrecargue.

## Carga de la batería (figs. J - L)

**Nota:** Cárguela antes de utilizarla por primera vez.

La batería puede extraerse del cortacésped para cargarla o puede cargarse mientras se encuentra instalada en este.

- ◆ Suelte la maneta (3) para apagar el cortacésped, espere a que la cuchilla se detenga y retire la llave de seguridad (1).
- ◆ Alinee los conectores verde (+) y blanco (-) e inserte la clavija del cargador (20) en el receptáculo (22) del cortacésped o extraiga la batería e inserte el enchufe del cargador (20) en el receptáculo (21) de la batería.
- ◆ El conector del cargador (20) solamente se puede enchufar en el receptáculo del cortacésped en una dirección.
- ◆ Inserte el enchufe de 240 voltios del cargador en una toma de alimentación (fig. L).
- ◆ La luz roja (26) del cargador (24) se iluminará para indicar que se está cargando la batería. Si la luz roja no está encendida, compruebe que el conector del cargador se encuentra correctamente alineado.
- ◆ Una vez completada la carga, la luz roja (26) se apagará y se iluminará la luz verde.

El proceso de carga de una batería completamente descargada tarda aproximadamente 16 horas en completarse.

Es recomendable dejar la batería cargándose de manera permanente mientras no se utiliza para obtener un rendimiento óptimo.

El cargador suministrado con este producto está diseñado para enchufarse de manera que quede correctamente orientado en posición vertical o sobre el suelo.

## Indicador del estado de la carga (fig. K)

La batería incluye un indicador del estado de la carga. Se puede utilizar para visualizar el nivel actual de la carga de la batería durante el uso.

- ◆ Pulse el botón del indicador del estado de la carga (23).

## Llave de seguridad

Extraiga la llave de seguridad:

- ◆ Cuando deje el aparato desatendido.
- ◆ Antes de limpiar una obstrucción.
- ◆ Antes de comprobar, limpiar o realizar trabajos en el aparato.
- ◆ Después de golpear un objeto extraño.
- ◆ Si el aparato comienza a vibrar de manera anómala.

## Encendido y apagado

**¡Atención!** Cuchilla móvil afilada. Nunca intente detener el funcionamiento de este interruptor ni del sistema de la llave de seguridad, ya que podría producirse lesiones graves.

### Encendido (fig. M)

- ◆ Introduzca la llave de seguridad (1) completamente dentro del interruptor.
- ◆ Pulse el botón (27) que se encuentra en el lateral del interruptor.
- ◆ Tire de la maneta de la cuchilla (3) hacia la empuñadura de barra (5).

### Apagado (fig. M)

- ◆ Para apagar el cortacésped, suelte la maneta de la cuchilla (3).

En cuanto la maneta (3) regrese a la posición original, activará el mecanismo de freno automático. El motor se frena eléctricamente y la cuchilla del cortacésped dejará de girar en 3 segundos o menos.

## Selector de velocidad automático (fig. M)

El cortacésped está equipado con un selector de velocidad automático. El selector automático es independiente del interruptor de encendido/apagado de la cuchilla. Se puede utilizar con o sin la cuchilla de corte. Por ejemplo, cuando acabe de finalizar de cortar el césped, puede utilizar el selector automático para empujar el cortacésped hasta el lugar de almacenamiento sin tener encendido el motor de las cuchillas.

### Para que funcione el selector automático sin las cuchillas de corte:

- ◆ Introduzca la llave de seguridad (1) completamente dentro del interruptor.
- ◆ Empuje el mango de suspensión del accionamiento automático (2) a la empuñadura de la barra (5).
- ◆ Para apagar el selector automático, suelte el mango de suspensión del accionamiento automático.

**Nota** El selector automático cuenta con velocidades variables. Puede seleccionar la velocidad moviendo la palanca del selector (4). Si mueve la palanca del selector hacia delante, la velocidad aumentará. Si mueve la palanca del selector en dirección contraria, la velocidad disminuirá.

**Para que funcione el selector automático con las cuchillas de corte:**

- ◆ Introduzca la llave de seguridad (1) completamente dentro del interruptor.
- ◆ Pulse el botón (27) que se encuentra en el lateral del interruptor y, a continuación, tire de la maneta de la cuchilla (3) hacia la empuñadura de barra (5).
- ◆ Mantenga la maneta de la cuchilla contra la empuñadura de barra con la mano derecha. Ahora empuje el mango de suspensión del accionamiento automático (2) a la empuñadura de la barra (5) con la mano izquierda.
- ◆ Puede sujetar ambas manetas simultáneamente contra la empuñadura de la barra con la mano izquierda.

**Nota** Cuando apague el selector automático, por ejemplo al finalizar una fila, es posible que se bloquee temporalmente si tira hacia atrás del cortacésped. Simplemente empuje hacia adelante un poco y, a continuación, mueva el cortacésped como desee.

**Nota** Durante el corte, es posible que a veces sea más fácil maniobrar alrededor de un objeto, como por ejemplo un árbol o plantas, con el selector automático apagado. El cortacésped se puede utilizar fácilmente con el selector automático apagado.

**Formación del mantillo "SEGÚN REQUERIMIENTO" (figs. N y O)**

El cortacésped está equipado con una característica de operación según requerimiento que permite la conversión de formación de mantillo a recolección en bolsa o descarga con el giro del selector:

- ◆ Suelte la maneta (3) para apagar el cortacésped, espere a que la cuchilla se detenga y retire la llave de seguridad (1).

**Modo de descarga:**

- ◆ Extraiga el recogedor de hierba.
- ◆ Asegúrese de que la compuerta de descarga trasera se apoye firmemente contra la cubierta.
- ◆ Pulse y gire el selector de operación según requerimiento de manera que quede alineado con la palabra "DISCHARGE" (descarga) (fig. N).

**Nota** En este momento el cortacésped está en modo de descarga trasera. La hierba cortada se depositará debajo de la salida de la compuerta cerrada sobre el césped.

**Modo de recolección en bolsa:**

- ◆ Coloque el recogedor de hierba.
- ◆ Asegúrese de que la compuerta de descarga trasera se apoye firmemente contra la parte superior del recogedor de hierba.
- ◆ Pulse y gire el selector de operación según requerimiento para que quede alineado con la palabra "BAG" (bolsa) (consulte la figura N).

**Nota** En este momento el cortacésped está en modo de recolección en bolsa. Para cambiar al modo de descarga trasera en este punto, simplemente retire el recogedor de hierba.

**Modo de formación de mantillo:**

- ◆ Para convertir al modo de formación de mantillo, pulse y gire el selector de operación según requerimiento para que quede alineado con la palabra "MULCH" (formación de mantillo) (consulte la figura O). En este momento el cortacésped está en modo de formación de mantillo.

**Nota** Si se vuelve difícil hacer girar el selector de operación según requerimiento, es posible que sea necesario limpiar el conducto de la cubierta.

- ◆ Suelte la maneta de la cuchilla para apagar el cortacésped y espere a que la cuchilla se detenga completamente. A continuación, retire la llave de seguridad y la batería.
- ◆ Mantenga abierta la compuerta de descarga trasera y limpie cualquier residuo que pueda encontrarse en el conducto de la cubierta. Limpie además la parte inferior de la cubierta si fuera necesario.

**Instalación de la bolsa de recolección (figs. P y Q)**

- ◆ Suelte la maneta de la cuchilla (3) para apagar el cortacésped, espere a que la cuchilla se detenga y retire la llave de seguridad (1).
- ◆ Abra la compuerta de descarga trasera accionada por resorte (6) en posición vertical y manténgala abierta.
- ◆ Utilice el mango (29) de la bolsa de recolección (15) e instálela entre los mangos del cortacésped.
- ◆ Coloque los ganchos de la bolsa de recolección en el cortacésped (fig. Q).
- ◆ Suelte la compuerta de descarga trasera (6).

**Consejos para un uso óptimo**



El primer corte se debe realizar en primavera cuando el césped tiene aproximadamente entre 63 mm y 76 mm de altura. De lo contrario, si se corta el césped demasiado temprano, se limitan los sistemas radiculares del césped que se autorenewan en cada primavera. El césped nuevo se debe cortar cuando alcanza una altura de aproximadamente 63 mm.

No corte el césped de una altura excesiva de una sola vez. La pauta a seguir es no cortar nunca más de 1/3 de la altura de la cuchilla durante cada sesión de corte. El corte de césped demasiado corto da como resultado un sistema radicular de poca profundidad, lo que hace que el césped tenga dificultades para alcanzar el agua del suelo.

Corte el césped cuando esté seco para evitar la compactación del césped húmedo. Si puede elegir, la última hora de la tarde es la hora ideal para cortar el césped, no sólo porque la hierba está seca, sino porque además el área recientemente cortada no queda expuesta a la intensa luz solar.

Para lograr un corte limpio, mantenga la hoja de corte afilada. De este modo se optimiza el rendimiento del cortacésped y se realza el aspecto del césped. Una cuchilla sin filo destroza y daña las puntas del césped. De este modo, se perjudica el crecimiento saludable del césped y se incrementa su sensibilidad a desarrollar enfermedades. Las puntas dañadas producen un color amarillado que otorga al césped un aspecto poco saludable. Las cuchillas sin filo también pueden desenterrar las hierbas recién nacidas.

Trate de cortar el césped siempre a la misma altura de corte. Si bien hay momentos en que debe variar la altura de corte debido al cambio de estaciones, respetar una altura de corte uniforme permite obtener un césped más sano, de mejor aspecto y con menor cantidad de malezas. Corte el césped más frecuentemente durante los períodos de crecimiento rápido. El corte frecuente garantiza que la parte inferior y menos atractiva del césped no sea visible.

Si el césped ha crecido a una altura excesiva, por ejemplo, durante las vacaciones, realice el corte con una altura una o dos posiciones más altas que la posición habitual. Una segunda pasada con una altura de corte normal unos días más tarde, será suficiente para volver al programa de corte habitual. El cambio de la altura de corte es sumamente sencillo gracias al sistema de ajuste de la altura de Black & Decker One Touch Wheel Height Adjustment, que permite ajustar las cuatro ruedas de una sola vez.

Durante la primavera y el otoño, o después de una interrupción del programa de cortes, el césped estará más largo y más tupido. Si percibe que el motor reduce su velocidad continuamente durante la sesión de corte, intente ajustar las ruedas a una altura mayor de corte. Una excesiva carga del motor puede dar como resultado un corte desigual, la descarga más rápida de la batería y la sobrecarga del motor, lo cual provocará la detención del motor.

A continuación se indican tres buenas maneras de mejorar el aspecto del césped: varíe la dirección de corte con frecuencia, corte en dirección horizontal en las laderas (esto es también una buena práctica de seguridad) y no se olvide de solapar el recorrido de corte en cada pasada.

Corte siempre el césped de modo que los recortes se descarguen sobre el terreno. De esta manera, el césped tendrá un aspecto siempre fresco al evitarse la acumulación de "césped cortado", que a su vez adquirirá una coloración marrón y dará un aspecto descuidado. Este método también permite preservar la carga de la batería y le asegura la obtención del rendimiento máximo de su cortacésped eléctrico inalámbrico Black & Decker.

Durante las estaciones de primavera y otoño, cuando el césped está alto y tupido, es posible utilizar el cortacésped sin necesidad de que esté recargado por completo (la luz indicadora de carga de color verde debe estar encendida). Esto le permitirá realizar tareas breves de corte, pero no es recomendable que lo haga con frecuencia. La batería y el cortacésped presentan un rendimiento muy superior con la batería completamente cargada.

## Sugerencias para el corte

**Nota** Examine siempre el área donde vaya a utilizar el cortacésped y retire las piedras, palos, alambres, huesos o demás restos que podrían ser expulsados por la cuchilla en rotación.

- ◆ Trabaje en sentido transversal a la pendiente, nunca hacia arriba o abajo. Tenga sumo cuidado al cambiar de sentido en las pendientes. No corte el césped en cuestas demasiado pronunciadas. Apoye los pies siempre en un lugar firme y seguro.
- ◆ Suelte la maneta (3) para apagar el cortacésped al cruzar una área cubierta con grava, ya que la cuchilla en rotación puede expulsar las piedras.
- ◆ Para cortar el césped en terreno escabroso o con malezas altas, seleccione la máxima altura de corte. Cuando se intenta cortar demasiada cantidad de césped de una vez, es posible que el motor se sobrecargue, lo cual provocará que el cortacésped se detenga. Consulte la guía de solución de problemas.

Si en la estación de crecimiento rápido se utiliza la bolsa de recolección (15), es posible que la hierba provoque atascos en la abertura de descarga.

- ◆ Suelte la maneta (3) para apagar el cortacésped y retire la llave de seguridad (1).
- ◆ Extraiga la bolsa de recolección (15) y sacúdala para que el césped caiga hacia el fondo de la bolsa.
- ◆ Limpie el césped y los residuos que se hayan compactado alrededor de la abertura de descarga.
- ◆ Vuelva a colocar la bolsa de recolección (15).

Si el cortacésped comienza a vibrar de manera anormal:

- ◆ Suelte la maneta (3) inmediatamente para apagar el cortacésped, retire la llave de seguridad (1) y la batería (11).
- ◆ Investigue la causa de las vibraciones. La vibración indica la presencia de un problema. No utilice el cortacésped hasta que no se haya realizado un control de mantenimiento en él. Consulte la guía de solución de problemas en el manual.

**Nota** Cada vez que deje de usar el cortacésped, aunque sea durante un período de tiempo breve, suelte siempre la maneta para apagarlo y retire la llave de seguridad.

Las sugerencias indicadas a continuación le ayudarán a optimizar el tiempo de funcionamiento del cortacésped inalmábrico:

- ◆ Reduzca la velocidad en las áreas donde el césped esté demasiado alto o sea demasiado tupido.
- ◆ Cuando utilice la pieza para mantillo, no realice cortes de más de 38 mm de altura por vez.
- ◆ Evite cortar el césped cuando esté mojado.
- ◆ Corte el césped a menudo, especialmente durante los períodos de crecimiento rápido.

**Nota** Es recomendable recargar el cortacésped después de cada uso. La carga frecuente no daña la batería y permite asegurar que esté totalmente cargada.

### Sugerencias para el corte del césped para formar mantillo

Durante el corte para la formación de mantillo, el cortacésped está diseñado para triturar el césped cortado en pequeños pedazos y distribuirlos sobre el terreno. En condiciones normales, el césped cortado de este modo se biodegradará con rapidez y proporcionará nutrientes al césped.

Recomendaciones para optimizar el rendimiento de la formación de mantillo:

- ◆ Evite cortar el césped cuando esté mojado. El césped mojado puede formar terrones que afectarán a la formación del mantillo y ralentizarán el tiempo de ejecución. La mejor hora para cortar el césped es la última hora de la tarde, porque el césped está seco y el área recién cortada no queda expuesta a la luz solar directa.
- ◆ Para obtener un rendimiento óptimo en la formación de mantillo, ajuste la altura del cortacésped para que el recorte de este sea de aproximadamente un tercio de la longitud del césped (la medida ideal es de 38 mm como máximo por vez). Si el césped está muy crecido, probablemente sea necesario aumentar la altura de corte para reducir el esfuerzo del empuje e impedir la sobrecarga del motor.
- ◆ En los casos de cortes para mantillo en áreas de césped muy tupido, es recomendable cortar primero a una altura elevada y, a continuación, volver a realizar un corte final a la altura deseada. Otra opción es reducir el ancho del corte y cortar el césped lentamente.

Para optimizar el rendimiento, mantenga la carcasa del cortacésped libre de acumulaciones de césped compactado:

- ◆ Suelte la maneta (3) para apagar el cortacésped y espere a que la cuchilla se detenga completamente.
- ◆ Retire la llave de seguridad (1) y la batería (11) y voltee el cortacésped sobre uno de sus lados.
- ◆ Utilice un raspador sin filo para limpiar la acumulación de césped en la zona de la cuchilla. Tenga cuidado con los bordes afilados de la cuchilla. Realice esta limpieza con mayor frecuencia cuando corte césped de primavera húmedo y cada vez que termine de utilizar el cortacésped.

Para determinados tipos o estados de césped, puede ocurrir que sea necesario realizar el corte para mantillo dos veces con el fin de dispersar el césped en el terreno.

Si se corta por segunda vez, se recomienda cortar en dirección perpendicular (transversal) al corte anterior, pero nunca cambie la dirección de corte si esto lo obliga a cortar en dirección descendente en una cuesta.

- ◆ Cambie su patrón de corte de una semana a la otra. De esta manera, evitará que se produzcan apelmazamientos de césped sobre el terreno.

### Mantenimiento

Este aparato o herramienta con o sin cable de Black & Decker se ha diseñado para que funcione durante un largo período de tiempo con un mantenimiento mínimo. El funcionamiento satisfactorio continuado depende de un cuidado apropiado y una limpieza periódica de la herramienta o aparato.

El cargador no requiere ningún mantenimiento especial excepto una limpieza periódica.

**¡Atención!** Antes de realizar el mantenimiento de herramientas eléctricas con o sin cables:

- ◆ Apague y desenchufe el aparato o herramienta.
- ◆ O bien, apague y extraiga las pilas o la batería del aparato o herramienta, en caso de que disponga de una batería separada.
- ◆ O bien, deje que la batería se agote por completo si es integral y, a continuación, apague el aparato.
- ◆ Desenchufe el cargador antes de limpiarlo. El cargador no requiere ningún mantenimiento especial excepto una limpieza periódica.
- ◆ Limpie periódicamente las ranuras de ventilación de la herramienta, aparato y cargador con un cepillo suave o un paño seco.
- ◆ Limpie periódicamente la carcasa del motor con un paño húmedo. No utilice limpiadores de base abrasiva o disolventes.
- ◆ Utilice periódicamente un raspador sin filo para eliminar los restos de hierba y la suciedad acumulada debajo del protector.

### Extracción e instalación de la cuchilla (figs. R y S)

**¡Atención!** No toque la cuchilla antes de extraer la llave de seguridad y de que las cuchillas se hayan detenido completamente.

- ◆ Suelte la maneta (3) para apagar el cortacésped, espere a que la cuchilla se detenga y retire la llave de seguridad (1).
- ◆ Corte un trozo de madera (de aproximadamente 50 mm x 100 mm x 600 mm de longitud) para impedir que la cuchilla rote cuando se extraiga la tuerca con brida.
- ◆ Voltee el cortacésped sobre uno de los lados.

**¡Atención!** Utilice guantes y protección ocular adecuada. Tenga cuidado con los bordes afilados de la cuchilla.

- ◆ Coloque la madera (32) y extraiga la tuerca con brida (30) mediante una llave fija de 19 mm (31) (fig. R).
- ◆ Retire el espaciador de la cuchilla metálico cuadrado (37), el aislador de la cuchilla plástico cuadrado (33) y la cuchilla (34) (fig. S). Examine el aislador de la cuchilla (35) para ver si está dañado y reemplazarlo si es necesario.

Cuando instale la cuchilla, asegúrese de que el lado del césped de esta quede orientado hacia el suelo cuando coloque el cortacésped en su posición vertical normal.

- ◆ Después de instalar la cuchilla, coloque el aislador de la cuchilla (35) de manera que los rebordes elevados de un lado enganchen en los bordes de la cuchilla (34).
- ◆ Instale el espaciador de la cuchilla (36) para que se asiente en el interior de los rebordes elevados sobre el otro lado del aislador (35). Asegúrese de alinear las partes planas del orificio del espaciador de la cuchilla (36) con las del eje. Para ello, gire la cuchilla y el aislador de la cuchilla en conjunto según sea necesario.
- ◆ Coloque la pieza de madera (32) para impedir que la cuchilla gire (fig. R).
- ◆ Instale la tuerca con brida (30) con la brida colocada contra el espaciador de la cuchilla metálico cuadrado (37) y apriétela.

### Cómo afilar la cuchilla (fig. T)

Para optimizar el rendimiento del cortacésped, mantenga la cuchilla afilada. Una cuchilla desafilada no produce un corte limpio del césped ni cortes adecuados para mantillo.

**¡Atención!** Asegúrese siempre de haber retirado la llave de seguridad.

**¡Atención!** Utilice protección ocular apropiada para extraer, afilar e instalar la cuchilla.

En situaciones normales, por lo general, es suficiente afilar la cuchilla dos veces durante la temporada de corte. La arena provoca que la cuchilla se desafilé rápidamente. Si su terreno es de suelo arenoso, es probable sea necesario afilarla con más frecuencia.

- ◆ Si la cuchilla está curvada o dañada, reemplácela de inmediato.

#### Para afilar la cuchilla:

- ◆ Asegúrese de que la cuchilla esté equilibrada.
- ◆ Afíle la cuchilla en el ángulo de corte original.
- ◆ Afíle los bordes de corte en ambos extremos de la cuchilla y retire la misma cantidad de material en ambos extremos.

#### Para afilar la cuchilla en un torno (fig. T)

- ◆ Suelte la maneta (3) para apagar el cortacésped y espere a que la cuchilla se detenga completamente.
- ◆ Retire la llave de seguridad (1) y la batería (11) y voltee el cortacésped sobre uno de sus lados.
- ◆ Retire la cuchilla (34) del cortacésped, consulte las instrucciones para retirar e instalar las cuchillas.

**¡Atención!** Utilice guantes y una protección ocular adecuada, y tenga cuidado con los bordes afilados de la cuchilla.

- ◆ Coloque la cuchilla (34) en un torno.

- ◆ Lime con cuidado los bordes cortantes de la cuchilla mediante una lima de dientes finos o una piedra de afilar, conservando siempre el borde de corte original.
- ◆ Compruebe que la cuchilla esté equilibrada. Consulte las instrucciones correspondientes.
- ◆ Coloque la cuchilla (34) en el cortacésped y apriétela firmemente. Consulte las instrucciones para retirar e instalar las cuchillas.

### Equilibrio de la cuchilla (fig. U)

- ◆ Coloque el orificio central de la cuchilla en un clavo o en un destornillador de cuerpo redondo previamente asegurados en un torno en dirección horizontal para comprobar el equilibrio de la cuchilla. Si alguno de los extremos de la cuchilla gira hacia abajo, lime ese extremo hasta equilibrar la cuchilla.

### Lubricación

No es necesario realizar ningún tipo de lubricación. No engrase las ruedas, ya que tienen una superficie de rodamiento plástico que no necesita lubricación.

### Limpieza

- ◆ Suelte la maneta (3) para apagar el cortacésped y espere a que la cuchilla se detenga completamente.
- ◆ Extraiga la llave de seguridad (1).
- ◆ Para limpiar el cortacésped, utilice únicamente jabón suave y un paño húmedo.
- ◆ Utilice una herramienta sin filo para retirar los recortes de césped que se hayan podido acumular en la parte inferior del cortacésped.
- ◆ Después de haber utilizado la unidad varias veces, revise las sujeciones externas para verificar que estén firmemente ajustadas.

### Cómo evitar la corrosión

Los fertilizantes y otros productos químicos de jardinería contienen agentes que aceleran considerablemente la corrosión de los metales. Si utiliza el cortacésped en áreas donde se hayan aplicado fertilizantes u otros productos químicos, límpielo inmediatamente después de finalizar el trabajo del modo indicado a continuación:

- ◆ Suelte la maneta (3) para apagar el cortacésped y espere a que la cuchilla se detenga completamente.
- ◆ Extraiga la llave de seguridad (1).
- ◆ Limpie todas las piezas expuestas con un paño húmedo.

### Transporte y almacenamiento

**¡Atención!** La cuchilla giratoria puede provocar lesiones graves. Suelte la maneta para apagar el cortacésped y retire la llave de seguridad antes de levantarlo, transportarlo o almacenarlo. Guarde el cortacésped en un lugar seco.

**Nota:** El cortacésped resultará más ligero si se extrae la batería previamente. No utilice el seguro como punto de apoyo para levantar el cortacésped.

### Almacenamiento del cortacésped fuera de temporada

En climas cálidos, para lograr un rendimiento óptimo del cortacésped, es recomendable mantener la batería en modo de carga constante.

Es posible guardar la batería con el cargador desconectado si se cumplen las condiciones indicadas a continuación.

- ◆ La batería está completamente cargada antes de guardarla.
- ◆ La temperatura media del lugar de almacenamiento está por debajo de 10 °C (50 °F).

### Protección del medio ambiente



Recogida selectiva. No se debe desechar este producto con el resto de residuos domésticos.

Si llegase el momento en que fuese necesario sustituir su producto Black & Decker o si este dejase de tener utilidad para usted, no lo deseche junto con los residuos domésticos. Sepárelo para su recogida selectiva.



La recogida selectiva de productos y embalajes usados permite el reciclaje de materiales y su reutilización. La reutilización de materiales reciclados contribuye a evitar la contaminación medioambiental y reduce la demanda de materias primas.

Las normativas municipales deben ofrecer la recogida selectiva de productos eléctricos del hogar, en puntos municipales previstos para tal fin o a través del distribuidor cuando adquiera un nuevo producto.

Black & Decker proporciona facilidades para la recogida y reciclado de los productos Black & Decker que han llegado al final de su vida útil. Para poder utilizar este servicio, le rogamos que entregue el producto a cualquier agente de servicio técnico autorizado para que se haga cargo de él en nuestro nombre.

Puede consultar la dirección de su agente de servicio técnico más cercano si se pone en contacto con la oficina local de Black & Decker en la dirección que se indica en este manual. Como alternativa puede consultar la lista de servicios técnicos autorizados de Black & Decker y obtener la información completa de nuestros servicios de posventa y los contactos disponibles en la siguiente dirección de Internet: [www.2helpU.com](http://www.2helpU.com)

Valor cuadrático medio ponderado en frecuencia de la aceleración según EN 786:

= < 2.5 m/s<sup>2</sup>, incertidumbre (K) = 1.5 m/s<sup>2</sup>.

L<sub>PA</sub> (presión acústica) 79 dB(A)

incertidumbre (K) = 2 dB(A)

## Declaración de conformidad de la CE

DIRECTIVA DE MAQUINARIAS

DIRECTIVA SOBRE LA EMISIÓN DE RUIDO EN EXTERIORES



GRC4736SD

Black & Decker declara que los productos descritos en la "ficha técnica" cumplen con las siguientes directrices: 2006/42/CE, EN 60335-1, EN 60335-2-91

2000/14/EC, cortacésped, L < 50 cm, Anexo VI, DEKRA Certification B.V., Utrechtseweg 310, ED Arnhem Netherlands

N.º de ID del departamento notificado: 0344

Nivel de intensidad acústica de acuerdo con la directiva 2000/14/CE (artículo 12, anexo III, L ≤ 50 cm):

L<sub>WA</sub> (potencia acústica medida) 93 dB (A)  
incertidumbre (K) = 2 dB(A)

L<sub>WA</sub> (potencia acústica garantizada) 95 dB(A)  
incertidumbre (K) = 2 dB(A)

Estos productos también cumplen con la directiva 2004/108/CE & 2011/65/EU.

Si desea obtener más información, póngase en contacto con Black & Decker a través de la siguiente dirección o consulte el dorso del manual.

La persona que firma a continuación es responsable de la elaboración del archivo técnico y realiza esta declaración en nombre de Black & Decker.

Kevin Hewitt

Vicepresidente de Ingeniería global  
Black & Decker Europe, 210 Bath Road, Slough,  
Berkshire, SL1 3YD

Reino Unido

01-10-2009

## Baterías



Cuando las baterías lleguen al final de su vida útil, deséchelas respetando el medio ambiente:

- ◆ Deje que la batería se agote por completo y, a continuación, extráigala de la herramienta.
- ◆ Las baterías de níquel cadmio (NiCd), de hidruro de níquel-metal (NiMH) y de iones de litio son reciclables. Coloque las baterías en un embalaje adecuado de modo que los terminales no entren en contacto y provoquen un cortocircuito. Llévelas a cualquier agente técnico autorizado o a un centro de reciclaje local.
- ◆ Procure no provocar un cortocircuito entre los terminales de la batería.
- ◆ No arroje las baterías al fuego, ya que podría provocar daños personales o una explosión.

## Ficha técnica

		<b>GRC4736SD</b> H 1
Voltaje de entrada	V <sub>DC</sub>	36
Velocidad sin carga	min <sup>-1</sup>	3300
Peso	kg	41
Batería		A1236
Voltaje	V <sub>dc</sub>	36
Capacidad	Ah	12
Tipo		Ácido de plomo
Cargador		905521** tipo 1
Voltaje de entrada	V <sub>AC</sub>	220 - 240
Voltaje de salida	V <sub>DC</sub>	36
Corriente	mA	800
Tiempo de carga aproximado	h	16

## Garantía

Black & Decker confía plenamente en la calidad de sus productos y ofrece una garantía extraordinaria. Esta declaración de garantía es un añadido, y en ningún caso un perjuicio para sus derechos legales. La garantía es válida dentro de los territorios de los Estados miembros de la Unión Europea y de los de la Zona Europea de Libre Comercio.

Si un producto Black & Decker resultara defectuoso debido a materiales o mano de obra defectuosos o a la falta de conformidad, Black & Decker garantiza, dentro de los 24 meses de la fecha de compra, la sustitución de las piezas defectuosas, la reparación de los productos sujetos a un desgaste y rotura razonables o la sustitución de tales productos para garantizar al cliente el mínimo de inconvenientes, a menos que:

- ◆ El producto se ha utilizado con propósitos comerciales, profesionales o de alquiler.
- ◆ El producto se ha sometido a un uso inadecuado o negligente.
- ◆ El producto ha sufrido daños causados por objetos o sustancias extrañas o accidentes.
- ◆ Se hayan realizado reparaciones por parte de personas que no sean del servicio técnico autorizado o personal de servicios de Black & Decker.

Para reclamar en garantía, será necesario que presente la prueba de compra al vendedor o al agente de servicio técnico autorizado. Puede consultar la dirección de su agente de servicio técnico más cercano si se pone en contacto con la oficina local de Black & Decker en la dirección que se indica en este manual. Como opción alternativa, puede consultar la lista de los agentes de servicio técnico autorizados de Black & Decker y obtener la información completa de nuestros servicios de posventa y los contactos disponibles en la siguiente dirección de Internet: [www.2helpU.com](http://www.2helpU.com)

Visite el sitio web [www.blackanddecker.es](http://www.blackanddecker.es) para registrar su nuevo producto Black & Decker y estar al día sobre productos y ofertas especiales. Encontrará información adicional sobre la marca Black & Decker y nuestra gama de productos en [www.blackanddecker.es](http://www.blackanddecker.es).

## Utilização prevista

O cortador da Black & Decker foi concebido para cortar relva. Este aparelho destina-se apenas a utilização doméstica.

## Instruções de segurança

**Atenção!** Ao utilizar aparelhos sem fios, deve sempre cumprir medidas de segurança básicas, incluindo as seguintes, de modo a reduzir os riscos de incêndio, choque eléctrico, danos pessoais e materiais.

**Atenção!** Ao utilizar a máquina, terá de seguir as regras de segurança. Para sua segurança e das outras pessoas, leia estas instruções antes de utilizar a máquina. Mantenha as instruções em local seguro para futuras consultas.

- ◆ Leia com atenção todo o manual antes de utilizar o aparelho.
- ◆ A utilização prevista para este aparelho está descrita no manual. A utilização de qualquer acessório ou a realização de qualquer operação com este aparelho que não se inclua no presente manual de instruções poderá representar um risco de ferimentos pessoais.
- ◆ Conserve este manual para referência futura.

## Utilizar o seu aparelho

Tenha sempre cuidado quando utiliza este aparelho.

- ◆ Este aparelho não deve ser utilizado por jovens ou pessoas doentes sem supervisão.
- ◆ Este aparelho não deve ser utilizado como um brinquedo.
- ◆ Não deixe crianças ou animais aproximarem-se da área de trabalho ou tocarem no aparelho ou no cabo de alimentação.
- ◆ É necessária uma supervisão atenta quando o aparelho está a ser utilizado próximo de crianças.
- ◆ Utilize-o apenas num local seco. Não deixe molhar o aparelho.
- ◆ Não mergulhe o aparelho em água.
- ◆ Não abra a estrutura do aparelho. Não existem peças para manutenção pelo utilizador no interior.
- ◆ Não utilize o equipamento em áreas com risco de explosão, nas quais se encontrem líquidos, gases ou poeiras inflamáveis.
- ◆ Para reduzir o risco de danos nas fichas e cabos, nunca puxe o cabo para remover a ficha de uma tomada.

## Após a utilização

- ◆ Quando não for utilizado, o aparelho deve ser guardado num local seco e com boa ventilação, longe do alcance das crianças.

- ◆ As crianças não devem ter acesso a aparelhos armazenados.
- ◆ Quando o aparelho for guardado ou transportado num veículo, deverá ser colocado na bagageira ou fixo de forma a evitar o movimento devido a alterações súbitas na velocidade ou direcção.

## Inspecção e reparações

- ◆ Antes da utilização, verifique se existem peças danificadas ou avariadas no aparelho. Verifique se há peças partidas, danos nos interruptores ou outro tipo de condições que possam afectar o seu funcionamento.
- ◆ Não utilize o aparelho se alguma das suas peças estiver danificada ou avariada.
- ◆ Mandar reparar ou substituir quaisquer peças danificadas ou avariadas por um agente de reparação autorizado.
- ◆ Nunca tente retirar ou substituir quaisquer peças que não as especificadas neste manual.

## Instruções de segurança adicionais para cortadores de relva

- ◆ Segure bem a ferramenta com ambas as mãos quando estiver a manobrar o cortador de relva.
- ◆ Se, a qualquer altura, for necessário inclinar o cortador de relva, certifique-se de que ambas as mãos permanecem na posição de funcionamento do aparelho enquanto o cortador se encontra inclinado. Mantenha ambas as mãos na posição de funcionamento do aparelho até o cortador de relva voltar a estar correctamente posicionado no chão.
- ◆ Nunca use auscultadores para ouvir rádio ou música enquanto estiver a manobrar o cortador de relva.
- ◆ Nunca tente fazer um ajuste da altura da roda enquanto o motor estiver em funcionamento ou se a chave de segurança estiver no caixa do computador.
- ◆ Se o cortador de relva encravar, liberte a barra dos fardos para desligar o cortador, aguarde que a lâmina pare e retire a chave de segurança, antes de tentar desobstruir o cano ou remover o que estiver abaixo da estrutura.
- ◆ Mantenha as mãos e os pés afastados da área de corte.
- ◆ Mantenha as lâminas afiadas. Utilize sempre luvas de protecção durante o manuseamento da lâmina do cortador de relva.
- ◆ Se estiver a utilizar o saco de relva(5), verifique-o regularmente quanto a indícios de desgaste e deterioração. Se estiver excessivamente usado, substitua-o por um novo saco para sua segurança.
- ◆ Tenha muita atenção quando estiver a inverter ou a puxar o cortador de relva na sua direcção.
- ◆ Não coloque as mãos ou pés perto ou sob o cortador de relva. Mantenha-se sempre afastado da abertura de descarga.

- ◆ Limpe a área onde o cortador de relva vai ser usado retirando objectos como pedras, paus, cabos, brinquedos, ossos, etc., que poderão ser atirados pela lâmina. Os objectos atirados pela lâmina podem causar ferimentos graves. Mantenha-se atrás do manipulador quando o motor estiver ligado.
- ◆ Não trabalhe com o cortador de relva, descalço ou com sandálias. Utilize sempre calçado de segurança.
- ◆ Não faça andar para trás o cortador de relva, excepto se for absolutamente necessário. Olhe sempre para baixo e para trás antes e quando estiver a deslocar-se para trás.
- ◆ Nunca direcione os materiais descarregados para pessoas. Evite descarregar os materiais junto a uma parede ou outro elemento de obstrução. Os materiais poderão fazer ricochete contra o operador. Liberte a barra dos fardos para desligar o cortador de relva e pare a lâmina quando estiver a passar por superfícies com gravilha.
- ◆ Não trabalhe com o cortador de relva sem o saco de relva, protecção de descarga, protecção traseira ou outros dispositivos de segurança montados e a funcionar. Verifique periodicamente todas as protecções e dispositivos de segurança para se certificar de que estão em bom funcionamento e de que irão funcionar correctamente e executar a respectiva função prevista. Substitua uma protecção danificada ou outro dispositivo de segurança antes da utilização do aparelho.
- ◆ Nunca deixe um cortador de relva em funcionamento sem vigilância. Remova sempre a chave de segurança no caso de o cortador ficar sem vigilância.
- ◆ Liberte sempre a barra dos fardos para parar o motor, aguarde até a lâmina parar completamente e remova a chave de segurança antes de limpar o cortador de relva, remover o saco de relva, desobstruir a protecção de descarga, quando deixar o cortador de relva ou antes de efectuar quaisquer ajustes, reparações ou inspecções.
- ◆ Utilize o cortador de relva apenas à luz do dia ou com uma boa luz artificial desde que os objectos no percurso da lâmina fiquem claramente visíveis na área de funcionamento do cortador de relva.
- ◆ Não utilize o cortador de relva sob a influência de drogas, álcool ou medicamentos ou se estiver cansado. Mantenha-se sempre atento e concentre-se naquilo que está a fazer.
- ◆ Evite ambientes perigosos. Nunca utilize o cortador de relva se a relva estiver húmida ou molhada, nunca utilize o cortador de relva à chuva. Tenha sempre cuidado ao deslocar-se, ande normalmente e nunca corra.
- ◆ Se o cortador de relva começar a vibrar anormalmente, liberte a barra dos fardos, aguarde que a lâmina pare, retire a chave de segurança e, em seguida, verifique imediatamente qual a causa. A vibração é, geralmente, um sinal de problemas; consulte o guia de resolução de problemas para obter conselhos no caso de ocorrência de vibrações anormais.
- ◆ Utilize sempre óculos de protecção e uma protecção respiratória adequada quando utilizar o cortador de relva.
- ◆ A utilização de qualquer acessório não recomendado para a utilização com este cortador de relva poderá ser perigosa. Utilize apenas acessórios aprovados Black & Decker.
- ◆ Nunca tente chegar a pontos fora do alcance enquanto estiver a manobrar o cortador de relva. Mantenha-se sempre bem posicionado e equilibrado enquanto estiver a manobrar o cortador de relva.
- ◆ Corte ao longo dos socacos e nunca em sentido ascendente e descendente. Tenha muito cuidado quando mudar de direcção em declives.
- ◆ Preste atenção aos buracos, sulcos, solavancos, pedras ou outros objectos escondidos. O terreno irregular pode causar uma derrapagem e uma queda accidental. A relva grande pode ocultar obstáculos.
- ◆ Não corte relva molhada ou em escarpas acentuadas. O andamento irregular pode causar uma derrapagem e uma queda accidental.
- ◆ Não corte perto de descidas, valas ou represas. Poderá perder o equilíbrio.

### Segurança de terceiros

- ◆ Este aparelho não deve ser utilizado por pessoas (incluindo crianças) que apresentem capacidades físicas, sensoriais ou mentais reduzidas ou que não possuam os conhecimentos e a experiência necessários, excepto se forem vigiadas e instruídas acerca da utilização do aparelho por uma pessoa responsável pela sua segurança.
- ◆ Esteja atento às crianças para que não brinquem com o aparelho.

### Riscos residuais.

Podem surgir riscos residuais adicionais durante a utilização da ferramenta que poderão não constar nos avisos de segurança incluídos. Estes riscos podem resultar de má utilização, uso prolongado, etc.

Mesmo com a aplicação dos regulamentos de segurança relevantes e com a implementação de dispositivos de segurança, alguns riscos residuais não podem ser evitados. Incluem:

- ◆ **ferimentos causados pelo contacto com peças em rotação/movimento.**



- ◆ ferimentos causados durante a troca de peças, lâminas ou acessórios.
- ◆ ferimentos causados pela utilização prolongada de uma ferramenta. Quando utilizar uma ferramenta por períodos prolongados, faça intervalos regulares.
- ◆ diminuição da audição.
- ◆ problemas de saúde causados pela inalação de poeiras resultantes da utilização da ferramenta (exemplo: trabalhos em madeira, especialmente carvalho, faia e MDF.)



As lâminas continuarão a rodar após a máquina ter sido desligada.



A potência sonora cumpre a Directiva 2000/14/CE.

## Símbolos de advertência

O aparelho apresenta os seguintes símbolos de advertência:



**Atenção!** Antes de utilizar o aparelho, leia o manual.



Não exponha o aparelho à chuva ou humidade elevada.



Esteja atento às lâminas afiadas. Remova sempre a chave de segurança antes de limpar o cortador de relva, remover o saco de relva, desobstruir a protecção de descarga, quando deixar o cortador de relva ou antes de efectuar quaisquer ajustes, reparações ou inspecções.



Esteja atento à projecção de objectos. Mantenha as pessoas afastadas da área de corte.



Utilize protecção para os olhos

## Instruções de segurança adicionais para baterias e carregadores

### Baterias

- ◆ Nunca tente abrir a bateria por motivo algum.
- ◆ Não exponha a bateria à água.
- ◆ Não exponha a bateria ao calor.
- ◆ Não as armazene em locais onde a temperatura possa exceder os 40 °C.
- ◆ Carregue apenas a temperaturas ambiente entre 10 °C e 40 °C.
- ◆ Carregue apenas com o carregador fornecido com o aparelho/ferramenta. A utilização do carregador errado pode resultar em choque eléctrico ou sobreaquecimento da bateria.
- ◆ Quando eliminar as baterias, siga as instruções da secção "Protecção do ambiente".
- ◆ Não danifique a bateria por perfuração ou impacto, pois poderá originar risco de ferimentos e incêndio.
- ◆ Não carregue baterias danificadas.
- ◆ Em condições extremas, pode ocorrer uma fuga nas baterias. Se detectar a fuga de líquido das baterias, limpe o líquido cuidadosamente com um pano. Evite o contacto com a pele.
- ◆ Em caso de contacto com a pele ou com os olhos, siga as instruções seguintes.

**Atenção!** O fluido da bateria pode causar ferimentos pessoais ou danos materiais. Em caso de contacto com a pele, enxágue imediatamente com água. Em caso de vermelhidão, dor ou irritação, contacte um médico. Em caso de contacto com os olhos, enxágue imediatamente com água limpa e contacte um médico.

Não tente carregar baterias danificadas.



### Carregadores

O seu carregador foi concebido para uma tensão específica.

Verifique sempre se a tensão de alimentação corresponde à tensão indicada na placa de especificações.

**Atenção!** Nunca tente substituir a unidade do carregador por uma tomada normal de alimentação.

- ◆ Utilize o seu carregador Black & Decker apenas para carregar a bateria do aparelho/ferramenta com que foi fornecido. Outras baterias poderão rebentar, provocando lesões pessoais e danos.
- ◆ Nunca tente carregar baterias não recarregáveis.
- ◆ Se o cabo de alimentação estiver danificado, terá de ser substituído pelo fabricante ou por um centro de assistência autorizado Black & Decker para evitar acidentes.
- ◆ Não exponha o carregador à água.
- ◆ Não abra o carregador.
- ◆ Não manipule o interior do carregador.
- ◆ O aparelho/ferramenta/bateria deve ser colocado numa área com boa ventilação durante o carregamento.



O carregador deverá ser utilizado apenas em espaços interiores.



Leia o manual de instruções antes da utilização.

### Segurança eléctrica



O carregador tem um isolamento duplo, pelo que não é necessário um fio de terra. Verifique sempre se a tensão de alimentação corresponde à tensão indicada na placa de especificações. Nunca tente substituir a unidade do carregador por uma tomada normal de alimentação.

- ◆ Se o cabo de alimentação estiver danificado, terá de ser substituído pelo fabricante ou por um centro de assistência autorizado Black & Decker para evitar acidentes.

### Características

Este aparelho inclui algumas ou todas as seguintes características.

1. Chave de segurança
2. Barra dos fardos
3. Pega automotora
4. Alavanca de controlo de velocidade
5. Barra de manípulo
6. Porta traseira com molas
7. Botão de ajuste da pega
8. Parafusos de fixação da pega
9. Abraçadeira da bateria
10. Alavanca da bateria
11. Bateria amovível
12. Matéria vegetal - Botão a pedido
13. Alavanca de altura de corte
14. Indicador de altura de corte
15. Saco de relva

### Montagem

**Atenção!** Antes da montagem, certifique-se de que a ferramenta está desligada e que não está ligada à corrente eléctrica.

### Desembalar (fig. A & B)

**Atenção!** Ponto de perigo de entalamento - para evitar ficar com os dedos presos, mantenha-os afastados da área entre a pega e as placas.

- ◆ Corte, cuidadosamente, os lados da caixa na extremidade oposta à pega e dobre a aba para baixo, conforme mostrado.
- ◆ Com o lado da embalagem de cartão cortado aberto, remova o enchimento de cartão, carregador, saco de acessórios e saco de relva e empurre o cortador para fora da caixa aberta.

**Atenção!** Lâmina afiada em movimento. Mantenha as partes do corpo afastadas da lâmina.

### Montagem do cabo (fig. C)

Ferramentas necessárias para a montagem, não fornecidas: Chave ajustável ou de 1/2 polegadas (13 mm):

- ◆ Posicione a pega de forma a que os (5) orifícios da mesma fiquem alinhados com os (16) orifícios da placa. Os botões de ajuste rápido da pega (7) ficarão alinhados com os orifícios superiores da (16) placa lateral.
- ◆ Coloque parafusos de fixação da pega (8) pelos orifícios da pega (5) e enrosque na placa (16). Antes de apertar, repita no outro lado.

- ◆ Aperte os parafusos da fixação da pega (8) com firmeza, utilizando uma chave ajustável ou de 1/2 polegadas (13 mm).
- ◆ Para definir a altura pretendida para a pega, consulte o procedimento de ajuste da pega. Não empurre nem utilize o cortador se a pega não tiver correctamente presa e fixada ao mesmo.

**Atenção!** Ponto de perigo de entalamento - para evitar ficar com os dedos presos, mantenha-os afastados da área entre a pega (5) e as placas (16).

### Ajustar a pega (fig. D)

O cortador possui uma característica de ajuste variável da altura da pega. Para ajustar a posição da pega de modo a adequar-se à altura preferida, utilize o seguinte procedimento:

- ◆ Segure a pega (5) com uma mão, puxe e rode o botão de ajuste da pega (7) um quarto de volta para libertar o pino do orifício da placa de metal.
- ◆ Repita para o lado oposto. Agora a pega (5) está livre para se movimentar para outra posição de altura da pega.
- ◆ Desloque a pega para a posição da altura pretendida.
- ◆ Puxe e rode o botão de ajuste da pega (7) um quarto de volta para voltar a introduzir o pino no orifício da placa de metal e repita para o lado oposto.

### Montar o saco de relva (fig. E e F)

- ◆ Faça deslizar o saco de relva (15) na estrutura (17).
- ◆ Monte os cliques superiores do saco de relva na estrutura.
- ◆ Monte os dois cliques laterais na estrutura, seguidos do clipe inferior.

### Ajustar a altura das rodas (fig. G e H)

O cortador encontra-se equipado com o sistema de ajuste One-Touch Wheel-Height (altura das rodas num toque) da Black & Decker. Este sistema ajustará as quatro rodas ao mesmo tempo.

O cortador possui sete posições de ajuste da altura da lâmina (38 mm a 89 mm). Consulte a escala e o ponteiro na parte frontal do cortador. O ponteiro indicará a definição de altura para cortar a relva. Esta definição pode ser uma referência para a próxima vez que pretender cortar a relva à mesma altura.

- ◆ Liberte a barra dos fardos (3) para desligar o cortador de relva, espere até a lâmina parar e remova a chave de segurança (1).
- ◆ Para elevar ou baixar a altura de corte, coloque a palma da mão no descanso para a mão (18) e, com os dedos, aperte o punho para os dedos (19) na direcção ascendente, mantendo-o apertado.

- ◆ Enquanto aperta o punho para os dedos (19), eleve ou baixe a altura de corte conforme necessário. O indicador de altura mostrará a definição actual (fig. H).
- ◆ Quando o cortador se encontrar na altura necessária, mantenha-o no local com a mão esquerda na barra de manípulo inferior direita e solte o punho para os dedos (19) para bloquear o ajuste de altura.

**Nota:** Para se certificar de que o cortador se encontra firmemente bloqueado numa das posições de altura, prima o descanso para a palma da mão após soltar o punho de dedos.

### Remover e colocar a bateria (fig. I e K)

A bateria (11) pode ser removida do cortador para armazenamento/carregamento ou deixada no cortador para carregamento.

#### Antes de remover a bateria:

- ◆ Coloque o cortador ao nível do solo.
- ◆ Liberte a barra dos fardos (3) para desligar o cortador, espere até a lâmina parar e remova a chave de segurança (1).

#### Para remover a bateria:

- ◆ Levante a alavanca da bateria (10) para libertar a abraçadeira da bateria (9) e volte a afastá-la da bateria. Levante a bateria para a remover.

#### Para colocar a bateria

Antes da instalação da bateria, certifique-se de que o cortador está livre de detritos e o conector do carregador (20) está desligado da bateria (11).

- ◆ Faça deslizar a bateria para o cortador. (a bateria só pode ser encaixada de uma única forma.)
- ◆ Fixe a bateria no cortador, prendendo a abraçadeira da bateria (9) sobre a extremidade da bateria (11) e empurrando a alavanca da bateria para baixo (10) até que fique encaixada.

### Utilização

**Atenção!** Deixe o aparelho funcionar ao seu próprio ritmo. Não a sobrecarregue.

### Carregar a bateria (fig. J - L)

**Nota:** Carregue a bateria antes da primeira utilização.

A bateria pode ser removida do cortador para carregamento ou carregada enquanto se encontra no mesmo.

- ◆ Liberte a barra dos fardos (3) para desligar o cortador de relva, espere até a lâmina parar e remova a chave de segurança (1).
- ◆ Alinhe os conectores verde (+) e branco (-) e insira a tomada do carregador (20) no receptáculo (22) no cortador ou remova a bateria e insira a tomada do carregador (20) no receptáculo (21) na bateria.
- ◆ O conector do carregador (20) apenas pode ser ligado ao receptáculo do cortador de uma forma.
- ◆ Insira a ficha de 240 Volts do carregador numa tomada de rede eléctrica (fig. L).
- ◆ A luz vermelha (26) no carregador (24) acenderá para indicar que a bateria se encontra em carregamento. Se a luz vermelha não se encontrar acesa, verifique se o conector de carregador está correctamente alinhado.
- ◆ Quando o carregamento terminar, a luz vermelha (26) apaga-se e acende-se a luz verde.

Uma bateria totalmente descarregada demorará aproximadamente 16 horas a carregar.

Recomenda-se que a bateria seja deixada em carregamento permanente entre utilizações para um desempenho ideal durante a época de corte.

O carregador fornecido com este produto destina-se a ser ligado de forma a que se encontre correctamente orientado numa posição de montagem vertical ou no solo.

### Indicador do estado de carga (fig. K)

A bateria está equipada com um indicador do estado de carga. Este pode ser utilizado para apresentar o nível de carga actual da bateria durante a utilização.

- ◆ Prima o botão do indicador do estado de carga (23).

### Chave de segurança

Remover a chave de segurança:

- ◆ Sempre que o aparelho ficar sem vigilância.
- ◆ Antes de limpar um bloqueio.
- ◆ Antes de verificar, limpar ou utilizar o aparelho.
- ◆ Após bater num objecto estranho.
- ◆ Sempre que o aparelho começar a vibrar anormalmente.

### Ligar e desligar

**Atenção!** Lâmina afiada em movimento. Nunca tente sobrepor o funcionamento deste sistema de interruptor e chave de segurança, dado que tal pode resultar em lesões graves.

### Ligar (fig. M)

- ◆ Insira completamente a chave de segurança (1) na caixa do comutador.
- ◆ Prima o botão (27) no parte lateral da caixa do comutador.
- ◆ Puxe a barra dos fardos (3) em direcção à barra de manípulo (5).

### Desligar (fig. M)

- ◆ Para desligar o cortador de relva, solte a barra dos fardos (3).

Quando a barra dos fardos (3) voltar à posição original activará o mecanismo de travão automático. O motor é electricamente travado e a lâmina do cortador de relva irá parar a rotação em 3 segundos ou menos.

### Dispositivo automotor de velocidade variável (fig. M)

O seu cortador está equipado com um dispositivo automotor de velocidade variável. O dispositivo automotor é independente do interruptor para ligar/desligar a lâmina. Pode ser utilizado com a lâmina a girar ou não. Por exemplo, quando acabar de cortar a relva, pode utilizar o dispositivo automotor para levar o cortador para o local onde fica guardado, sem que motor da lâmina esteja ligado.

#### Para accionar o dispositivo automotor sem a lâmina a girar:

- ◆ Insira completamente a chave de segurança (1) na caixa do comutador.
- ◆ Empurre a pega automotora (2) na direcção da barra de manípulo (5).
- ◆ Para desligar o dispositivo automotor, solte a pega automotora.

**Nota** O dispositivo automotor tem velocidade variável. Pode seleccionar a velocidade, movendo a alavanca do selector (4). À medida que deslocar a alavanca do selector para a frente, a velocidade aumentará. Mover a alavanca do selector na direcção oposta diminuirá a velocidade.

#### Para accionar o dispositivo automotor com a lâmina a girar:

- ◆ Insira completamente a chave de segurança (1) na caixa do comutador.
- ◆ Prima o botão (27) na parte lateral da caixa do comutador e, em seguida, puxe a pega da barra dos fardos (3) na direcção da barra de manípulo (5).
- ◆ Segure a pega da barra dos fardos contra a barra de manípulo com a mão direita. Agora empurre a pega automotora (2) no sentido da barra de manípulo (5) com a mão esquerda.

- ◆ Pode segurar ambas as barras dos fardos ao mesmo tempo contra a barra de manípulo com a mão esquerda.

**Nota** Quando desligar o dispositivo automotor, por exemplo, no final de uma linha, este poderá ficar temporariamente bloqueado se puxar o cortador para trás. Basta empurrar ligeiramente e mover o cortador conforme necessário.

**Nota** Durante o corte, por vezes poderá ser mais fácil manobrar à volta de um objecto, como uma árvore ou plantas, com o dispositivo automotor desligado. O cortador pode ser facilmente utilizado com o dispositivo automotor desligado.

### Mulching "A PEDIDO" (fig. N e O)

O cortador está equipado com uma funcionalidade A Pedido que permite a conversão de matéria vegetal (mulching) para ensacar ou descarregar com um simples botão:

- ◆ Liberte a barra dos fardos (3) para desligar o cortador de relva, espere até a lâmina parar e remova a chave de segurança (1).

#### Modo de Descarga:

- ◆ Retire a caixa de aparas.
- ◆ Certifique-se de que a porta de descarga traseira está bem fixada à estrutura.
- ◆ Prima e rode o botão A Pedido para que fique alinhado com a palavra "DISCHARGE" (Descarga) (fig. N).

**Nota** O cortador está agora em modo de descarga traseira. A relva cortada será depositada abaixo da saída da porta fechar para o relvado.

#### Modo de Ensacar:

- ◆ Coloque a caixa de aparas.
- ◆ Certifique-se de que a porta de descarga traseira está bem fixada à parte superior da caixa de aparas.
- ◆ Prima e rode o botão A Pedido para que fique alinhado com a palavra "BAG" (Saco) (consulte e fig. N).

**Nota** O cortador está agora em modo de Ensacar. Para mudar o modo de descarga traseira nesta altura, basta retirar a caixa de aparas.

#### Modo de Mulching:

- ◆ Para mudar para o modo "mulch", prima e rode o botão A Pedido para que fique alinhado com a palavra "MULCH" (consulte a figura O). O cortador está agora em modo "mulch".

**Nota** Caso se torne difícil rodar o botão A Pedido, poderá ser necessário limpar o cano da estrutura.

- ◆ Liberte a pega da barra dos fardos para desligar o cortador de relva e espere até a lâmina parar completamente. Depois, remova a chave de segurança e a bateria.
- ◆ Mantenha a porta de descarga traseira aberta e retire detritos que possam estar no tubo da estrutura. Limpe também a parte inferior da estrutura, se necessário.

### Instalar o saco de relva (fig. P e Q)

- ◆ Liberte a barra dos fardos (3) para desligar o cortador de relva, espere até a lâmina parar e remova a chave de segurança (1).
- ◆ Abra a porta de descarga traseira de carregamento por molas(6) na posição vertical e mantenha-a aberta.
- ◆ Utilize a pega (29) no saco de relva (15) e instale-o entre as pegas do cortador.
- ◆ Posicione os ganchos de suspensão do saco de relva no cortador (fig. Q).
- ◆ Solte a porta de descarga traseira (6).

### Sugestões para uma utilização ideal

Os relvados devem ser cortados pela primeira vez na Primavera, quando a relva tem cerca de 63 mm a 76 mm de altura. Cortar a relva demasiadamente cedo na época restringe os sistemas de raízes da relva, os quais se renovam automaticamente todas as Primaveras. A nova relva deve ser cortada quando tem cerca de 63 mm de altura.

Não remova demasiada superfície de lâmina de relva de uma só vez, nunca mais de 1/3 da altura da folha, durante cada corte. Cortar demasiado rente deixa as lâminas de relva sensíveis em "choque", resultando num sistema de raízes fraco e tornando mais difícil que o relvado obtenha água do solo.

Corte o seu relvado quando se encontrar seco para evitar o amontoamento de relva molhada. Se puder escolher, a altura ideal para cortar a relva é o final da tarde, não só porque a relva se encontra seca, mas também porque a nova e sensível área de relva cortada não ficará exposta a luz solar intensa.

Mantenha a lâmina de corte afiada para obter um corte com bom aspecto. Isto melhora o desempenho do cortador e o aspecto do seu relvado. Uma lâmina embotada estilhaça e esmaga as pontas da relva. Isto compromete o crescimento saudável do relvado e aumenta a susceptibilidade de doenças da relva. Se as pontas da relva forem esmagadas, tal causa uma cor acastanhada que confere um aspecto pouco saudável ao relvado. Uma lâmina embotada pode também arrancar pequenos rebentos de relva.

Tente cortar o relvado a uma altura de corte consistente. Se por vezes deve variar a altura de corte com a alteração das estações, uma altura de corte consistente produz um relvado mais saudável e agradável com menos sementes. Corte com maior frequência durante períodos de crescimento rápido.

O corte frequente assegura que a parte mais baixa e menos atractiva da relva não aparecerá.

Se o relvado crescer em demasia, durante férias por exemplo, corte a uma altura uma ou duas posições mais elevada do que o normal. Uma segunda passagem alguns dias mais tarde, à altura de corte habitual, volta a acertar o relvado. A alteração da altura de corte é fácil com o Ajuste One-Touch Wheel-Height (altura das rodas num toque) da Black & Decker.

Durante a Primavera e o Outono, ou após uma interrupção no calendário de corte, a relva será maior e mais espessa. Se o motor diminuir a velocidade constantemente durante o corte, tente definir as rodas para uma altura de corte mais elevada. A carga excessiva do motor pode resultar em corte desigual, descarga mais rápida da bateria e pode causar a sobrecarga do motor, o que causa a sua paragem.

Existem três boas formas de melhorar o aspecto do relvado: Variar frequentemente a direcção de corte; cortar horizontalmente em declives; (esta é também uma boa prática de segurança) e não se esquecer de sobrepor o trilho de corte a cada passagem.

Corte sempre de forma a que as aparas sejam descarregadas no relvado cortado. Isto irá manter o relvado com um aspecto fresco ao evitar o amontoamento de "relva cortada", que ficará eventualmente castanha e conferir um aspecto desagradável. Este método preserva também a carga da bateria, assegurando que tira o melhor partido do cortador eléctrico Black & Decker sem fios.

Durante a Primavera e o Outono, quando a relva é maior e mais espessa, pode utilizar o cortador sem a bateria se encontrar completamente carregada (isto é, o indicador verde de carga está ligado). Isto permitirá a execução de pequenas tarefas de corte, embora não recomendemos que tal seja efectuado frequentemente. A bateria e o cortador têm um desempenho bastante melhor quando a bateria se encontra completamente carregada.

### Dicas de corte

**Nota** Inspeccione sempre a área onde o cortador de relva vai ser utilizado e remova todas as pedras, paus, cabos, ossos e outros detritos que poderão ser atirados pela lâmina em rotação.

- ◆ Corte ao longo dos socacos e nunca em sentido ascendente e descendente. Tenha muito cuidado quando mudar de direcção em declives. Não corte excessivamente em declives acentuados. Mantenha sempre um bom apoio com os pés.
- ◆ Liberte a barra dos fardos (3) para desligar o cortador de relva quando atravessar uma área com grilha, dado que as pedras podem ser atiradas pela lâmina em rotação.
- ◆ Defina o cortador de relva para a altura de corte mais elevada quando cortar em solo duro ou em ervas altas. A remoção de demasiada relva de uma só vez poderá causar sobrecarga do motor, o que irá parar o cortador de relva. Consulte o guia de resolução de problemas.

Se o saco de relva (15) for utilizado durante a época de crescimento rápido, a relva poderá obstruir a abertura de descarga.

- ◆ Liberte a barra dos fardos (3) para desligar o cortador de relva e remova a chave de segurança (1).
- ◆ Remova o saco de relva (15) e abane a relva de modo a que esta fique no fundo do saco.
- ◆ Limpe qualquer relva ou detritos que poderão ficar comprimidos em volta da abertura de descarga.
- ◆ Volte a colocar o saco de relva no respectivo local (15).

Se o cortador de relva começar a vibrar anormalmente:

- ◆ Liberte a barra dos fardos(3) imediatamente para desligar o cortador de relva e remova a chave de segurança (1) e a bateria (11).
- ◆ Investigue a causa da vibração. A vibração é um aviso. Não utilize o cortador de relva até ser efectuada uma verificação pela assistência técnica. Consulte o guia de resolução de problemas no manual.

**Nota** Liberte sempre a barra dos fardos para desligar o cortador de relva e remova a chave de segurança quando o deixar sem vigilância, mesmo que por um curto período de tempo.

As seguintes sugestões ajudarão a obter o melhor tempo de funcionamento do cortador sem fios:

- ◆ Diminua a velocidade em áreas nas quais a relva é especialmente longa ou grossa.
- ◆ Quando utilizar a própria relva cortada para adubar o solo (mulching), evite cortar mais do que 38 mm do comprimento a qualquer altura.
- ◆ Evite cortar quando a relva se encontra molhada.
- ◆ Corte o relvado frequentemente, especialmente durante períodos de crescimento elevado.

**Nota** Recomenda-se que o cortador seja carregado após cada utilização. O carregamento frequente não prejudicará a bateria e garante que a bateria se encontra completamente carregada.

## Sugestões para utilizar a própria relva cortada para adubar o solo (mulching)

O cortador de relva foi concebido para, quando utilizar a própria relva cortada para adubar o solo, cortar as aparas de relva em pequenos pedaços e distribuí-los novamente sobre o relvado. Em condições normais, estes pedaços serão biodegradados rapidamente para fornecer nutrientes ao relvado.

Recomendações para desempenho ideal da utilização da própria relva cortada para adubar o solo:

- ◆ Evite cortar quando a relva se encontra molhada. A relva molhada pode formar amontoados que podem interferir com o corte da relva para adubo e reduzir o tempo de funcionamento. A melhor altura para cortar relva é à tarde, quando a relva se encontra seca e a área recentemente cortada não vai ser exposta a luz solar directa.
- ◆ Para o melhor desempenho da utilização da própria relva cortada para adubar o solo, defina a altura de corte para remover cerca de um terço do comprimento da relva, idealmente não mais de 38 mm de cada vez. Se o relvado se encontrar demasiadamente longo, poderá ser necessário aumentar a altura de corte para reduzir o esforço necessário para empurrar o cortador e para prevenir a sobrecarga do motor.
- ◆ Para corte bastante intenso de relva para adubo, é aconselhável cortar, em primeiro lugar, a uma definição de altura elevada e, em seguida, cortar à altura de corte final ou efectuar cortes mais estreitos e cortar lentamente.

Para um desempenho melhor, mantenha o compartimento do cortador de relva limpo de relva acumulada:

- ◆ Liberte a barra dos fardos (3) para desligar o cortador de relva e espere até a lâmina parar completamente.
- ◆ Remova a chave de segurança (1) e a bateria (11) e volte o cortador de relva de lado sobre o solo.
- ◆ Utilize uma raspadeira para remover a acumulação de relva na área da lâmina. Tenha cuidado com as extremidades afiadas da lâmina. Limpe com mais frequência quando cortar relva viçosa e sempre após cada utilização.

Certos tipos ou condições de relva podem requerer que uma área seja adubada com relva cortada uma segunda vez para dispersar completamente a relva por todo o relvado.

Se cortar uma segunda vez, é aconselhável que corte perpendicularmente (em cruz) ao primeiro padrão de corte, mas não altere o padrão de corte de uma forma que implique cortar em declives.

- ◆ Altere o padrão de corte todas as semanas. Tal ajudará a prevenir o entrelaçamento do relvado.

## Manutenção

O seu aparelho/ferramenta Black & Decker com/sem fios foi concebido para funcionar durante um longo período de tempo com um mínimo de manutenção. O funcionamento contínuo e satisfatório depende de uma manutenção adequada e limpeza regular da ferramenta/aparelho.

O seu carregador não necessita de manutenção para além da limpeza regular.

**Atenção!** Antes de proceder a qualquer acção de manutenção em ferramentas eléctricas com/sem fios:

- ◆ Desligue o aparelho/ferramenta e retire a respectiva ficha da tomada.
- ◆ Ou desligue e remova a bateria do aparelho/ferramenta caso o aparelho/ferramenta tenha uma bateria individual.
- ◆ Ou deixe a bateria descarregar completamente se estiver incorporada e, em seguida, desligue-a.
- ◆ Desligue o carregador antes de o limpar. O seu carregador não necessita de manutenção para além da limpeza regular.
- ◆ Limpe regularmente as ranhuras de ventilação da ferramenta/aparelho e do carregador com uma escova suave ou um pano seco.
- ◆ Limpe regularmente o compartimento do motor com um pano húmido. Não utilize nenhum produto de limpeza abrasivo ou à base de solvente.
- ◆ Utilize regularmente uma raspadeira para remover relva e sujidade da parte inferior da protecção.

## Remover e instalar a lâmina (fig. R e S)

**Atenção!** Não toque na lâmina antes de a chave de segurança ser retirada e de as lâminas terem parado completamente.

- ◆ Liberte a barra dos fardos (3) para desligar o cortador, espere até a lâmina parar e remova a chave de segurança (1).
- ◆ Corte um pedaço de madeira (aproximadamente 50 mm x 100 mm x 600 mm de comprimento) para utilizar de forma a impedir que a lâmina gire enquanto remove a porca com flange.
- ◆ Volte o cortador de lado sobre o solo.

**Atenção!** Utilize luvas e protecção adequada para os olhos. Tenha cuidado com as extremidades afiadas da lâmina.

- ◆ Coloque a madeira (32) e remova a porca com flange (30) com uma chave de 19 mm (31) (fig. R).

- ◆ Remova o espaçador da lâmina quadrado em metal (37), o isolador da lâmina quadrado em plástico(33) e a lâmina (34) (fig. S). Inspeccione o isolador da lâmina (35) relativamente a danos e substitua caso tal seja necessário.

Quando instalar a lâmina, certifique-se de que o lado de corte da relva está voltado para o solo quando o cortador for novamente colocado na sua posição vertical normal.

- ◆ Após a instalação da lâmina, coloque o isolador da mesma (35) de forma a que as extremidades salientes de um dos lados encaixem nas extremidades da lâmina (34).
- ◆ Instale o espaçador da lâmina (36) de modo a que fique dentro das extremidades salientes do outro lado do isolador da lâmina (35). Certifique-se de que alinha as superfícies lisas do orifício do espaçador da lâmina (36) com as superfícies lisas do veio, rodando a lâmina e respectivo isolador em conjunto, caso seja necessário.
- ◆ Posicione o pedaço de madeira(32) de modo a evitar que a lâmina gire (fig. R).
- ◆ Instale a porca com flange (30) com a flange voltada para o espaçador da lâmina quadrado em metal (37) e aperte.

### Afiar a lâmina (fig. T)

Mantenha a lâmina afiada para obter o melhor desempenho. Uma lâmina embotada não corta relva de forma limpa ou não corta relva para adubar o solo de forma adequada.

**Atenção!** Certifique-se sempre de que a chave de segurança é removida.

**Atenção!** Utilize protecção adequada para os olhos durante a remoção, afiação e instalação da lâmina.

Afiar a lâmina duas vezes durante a época de corte é normalmente suficiente, sob circunstâncias normais. A areia leva a que a lâmina fique embotada rapidamente. Se o relvado possuir um solo arenoso poderá ser necessária afiação mais frequente.

- ◆ Substitua, de imediato, lâminas dobradas ou danificadas.

### Durante a afiação da lâmina:

- ◆ Certifique-se de que a lâmina permanece equilibrada.
- ◆ Afie a lâmina no ângulo de corte original.
- ◆ Afie os gumes de corte em ambas as extremidades da lâmina, removendo quantidades de material iguais em ambas as extremidades.

### Para afiar a lâmina num torno (fig. T)

- ◆ Liberte a barra dos fardos (3) para desligar o cortador de relva e espere até a lâmina parar completamente.
- ◆ Remova a chave de segurança (1) e a bateria (11) e volte o cortador de relva de lado sobre o solo.

- ◆ Remova a lâmina (34) do cortador; consulte as instruções de remoção e instalação de lâminas.

**Atenção!** Utilize protecção adequada para os olhos e luvas, sendo cuidadoso com as extremidades afiadas da lâmina.

- ◆ Coloque a lâmina (34) num torno.
- ◆ Lime, cuidadosamente, as extremidades de corte da lâmina com uma lima fina ou uma pedra de amolar, mantendo a extremidade de corte original.
- ◆ Verifique o equilíbrio da lâmina; consulte as instruções para equilíbrio da lâmina.
- ◆ Instale a lâmina (34) no cortador e aperte firmemente; consulte as instruções de remoção e instalação de lâminas.

### Equilibrar a lâmina (fig. U)

- ◆ Verifique o equilíbrio da lâmina colocando o orifício central da lâmina num prego ou numa aparafusadora redonda fixa horizontalmente num torno. Se qualquer das extremidades da lâmina rodar no sentido descendente, lime essa extremidade até a lâmina estar equilibrada.

### Lubrificação

Não é necessária qualquer lubrificação. Não coloque óleo nas rodas. Estas possuem superfícies de plástico que não requerem lubrificação.

### Limpeza

- ◆ Liberte a barra dos fardos (3) para desligar o cortador de relva e espere até a lâmina parar completamente.
- ◆ Remover a chave de segurança (1).
- ◆ Utilize apenas sabão neutro e um pano húmido para limpar o cortador.
- ◆ Utilize uma ferramenta romba para limpar quaisquer aparas que possam ter ficado acumuladas na parte inferior do cortador.
- ◆ Após várias utilizações, verifique todos os fixadores expostos relativamente ao aperto.

### Prevenir a corrosão

Os fertilizantes e outros químicos de jardinagem contêm agentes que aceleram bastante a corrosão de metais. Se cortar em áreas nas quais tenham sido utilizados fertilizantes ou químicos, o cortador deve ser limpo imediatamente a seguir, da forma que se segue:

- ◆ Liberte a barra dos fardos (3) para desligar o cortador de relva e espere até a lâmina parar completamente.
- ◆ Remover a chave de segurança (1).
- ◆ Limpe todas as partes expostas com um pano húmido.



## Transportar e armazenar

**Atenção!** A lâmina rotacional pode causar lesões graves. Liberte a barra dos fardos para desligar o cortador e remova a chave de segurança antes de levantar, transportar ou armazenar o cortador. Guarde num local seco.

**Nota:** O cortador não será tão pesado para levantar se a bateria for removida. Não utilize o fecho como ponto de elevação do cortador.

## Armazenamento fora da época

Em climas quentes, de modo a assegurar o desempenho ideal, recomenda-se que a bateria seja mantida em carregamento constante.

A bateria pode ser armazenada com o carregador desligado se as condições seguintes forem respeitadas.

- ◆ A bateria está completamente carregada antes do armazenamento.
- ◆ A temperatura média do local de armazenamento situa-se abaixo de 10°C (50°F).

## Protecção do ambiente



Recolha separada. Este produto não pode ser eliminado juntamente com os resíduos domésticos normais.

Se, em algum momento, for necessário substituir este produto Black & Decker ou se este deixar de ter utilidade, não elimine o produto num caixote do lixo. Este produto pode ser separado para reciclagem.



A recolha separada de produtos e embalagens usados permite que os materiais sejam reciclados e reutilizados.

A reutilização de materiais reciclados ajuda a evitar a poluição ambiental e reduz a procura de matérias-primas.

A legislação local poderá prever a recolha separada de produtos domésticos eléctricos, seja em lixeiras municipais ou através do revendedor quando adquire um produto novo.

A Black & Decker dispõe de instalações para recolha e reciclagem de produtos Black & Decker quando estes atingem o fim da vida útil. Para usufruir deste serviço, devolva o produto em qualquer agente de reparação autorizado, que os recolherá em seu nome.

Pode verificar a localização do agente de reparação autorizado mais perto de si, contactando os escritórios locais da Black & Decker através do endereço indicado neste manual. Se preferir, pode encontrar na Internet uma lista de agentes de reparação autorizados Black & Decker, detalhes completos e contactos do serviço pós-venda, no endereço: [www.2helpU.com](http://www.2helpU.com)

## Baterias



Quando as baterias chegarem ao fim da sua vida útil, elimine-as de forma segura para o ambiente:

- ◆ Deixe a bateria descarregar completamente e, em seguida, remova-a da ferramenta.
- ◆ As baterias de NiCd, NiMH e de Iões de Lítio são recicláveis. Coloque as pilhas numa embalagem adequada, certificando-se de que os terminais não entram em curto-circuito. Leve as baterias ao seu agente de manutenção autorizado ou a uma estação de reciclagem local.
- ◆ Não coloque os terminais da pilha em curto-circuito.
- ◆ Não elimine as baterias queimando-as, porque existe o risco de ferimentos pessoais ou de explosão.

## Dados técnicos

		GRC4736SD H 1
Tensão de Entrada	V <sub>DC</sub>	36
Velocidade Sem Carga	min <sup>-1</sup>	3300
Peso	kg	41
Bateria		A1236
Tensão	V <sub>dc</sub>	36
Capacidade	Ah	12
Tipo		Ácido-chumbo
Carregador		905521** tipo 1
Tensão de Entrada	V <sub>AC</sub>	220 - 240
Tensão de Saída	V <sub>DC</sub>	36
Corrente	mA	800
Tempo de carga aprox.	h	16

Valor ponderado da vibração da mão/braço, de acordo com a norma EN 786:

= < 2.5 m/s<sup>2</sup>, imprecisão (K) = 1.5 m/s<sup>2</sup>.

L<sub>PA</sub> (pressão acústica) 79 dB(A)

imprecisão (K) = 2 dB(A)

## Declaração de conformidade CE

DIRECTIVA PARA MÁQUINAS

DIRECTIVA DE RUÍDO AMBIENTE



GRC4736SD

A Black & Decker declara que os produtos descritos em "dados técnicos" estão em conformidade com as seguintes normas:

2006/42/CE, EN 60335-1, EN 60335-2-91

2000/14/EC, Cortador de Relva, L < 50cm, Anexo VI, DEKRA Certification B.V., Utrechtseweg 310, ED Arnhem Netherlands

Notified Body ID No.: 0344

Nível de potência acústica de acordo com a norma 2000/14/CE & 2011/65/EU.

(Artigo 12, Anexo III, L ≤ 50 cm):

L<sub>WA</sub> (potência acústica medida) 93 dB(A)  
imprecisão (K) = 2 dB(A)

L<sub>WA</sub> (potência sonora garantida) 95 dB(A)  
imprecisão (K) = 2 dB(A)

Estes produtos estão também em conformidade com a directiva 2004/108/CE.

Para obter mais informações, contacte a Black & Decker no endereço indicado ou consulte a parte posterior do manual.

O signatário é responsável pela compilação do ficheiro técnico e efectua esta declaração em nome da Black & Decker.

Kevin Hewitt

Vice-Presidente, Engenharia Global  
Black & Decker Europe, 210 Bath Road, Slough,  
Berkshire, SL1 3YD  
Reino Unido  
01-10-2009

## Garantia

A Black & Decker confia na qualidade dos seus produtos e oferece uma garantia excelente. Esta declaração de garantia é um complemento dos seus direitos estabelecidos por lei, não os prejudicando de forma alguma. A garantia é válida nos territórios dos Estados Membros da União Europeia e da Associação Europeia de Comércio Livre.

Se um produto Black & Decker avariar devido a defeitos de material, fabrico ou não conformidade, num período de 24 meses após a data da compra, a Black & Decker garante a substituição das peças defeituosas, a reparação de produtos sujeitos a um desgaste aceitável ou a substituição dos mesmos para garantir o mínimo de inconvenientes ao cliente, excepto se:

- ◆ o produto tiver sido utilizado para fins comerciais, profissionais ou de aluguer;
- ◆ o produto tiver sido submetido a utilização indevida ou negligência;
- ◆ o produto tiver sido danificado por objectos ou substâncias estranhos, bem como acidentes;
- ◆ tiverem sido tentadas reparações por pessoas que não sejam agentes de reparação autorizados ou técnicos de manutenção da Black & Decker.

Para accionar a garantia, terá de apresentar comprovativos de compra ao vendedor ou a um agente de reparação autorizado. Pode verificar a localização do agente de reparação autorizado mais perto de si, contactando os escritórios locais da Black & Decker através do endereço indicado neste manual. Se preferir, está disponível na Internet uma lista de agentes de reparação autorizados Black & Decker, com os contactos e detalhes completos do serviço pós-venda, no endereço: [www.2helpU.com](http://www.2helpU.com)

Visite o nosso website [www.blackanddecker.pt](http://www.blackanddecker.pt) para registar o novo produto Black & Decker e manter-se actualizado relativamente a novos produtos e ofertas especiais. Pode encontrar mais informações sobre a marca Black & Decker e sobre a nossa gama de produtos em [www.blackanddecker.pt](http://www.blackanddecker.pt)

## Användningsområde

Denna gräsklippare från Black & Decker är konstruerad för gräsklippning. Redskapet är endast avsett för konsumentbruk.

## Säkerhetsföreskrifter

**Varning!** Vid användning av sladdlösa redskap ska grundläggande säkerhetsanvisningar, inklusive nedanstående, alltid följas. Detta för att minska risken för brand, stötar, person- och materialskador.

**Varning!** Vid användning av maskinen ska säkerhetsföreskrifterna följas. För din egen och närvarande personers säkerhet bör du läsa dessa instruktioner innan du använder maskinen. Spara instruktionerna för senare bruk.

- ◆ Läs hela den här bruksanvisningen noggrant innan du börjar använda redskapet.
- ◆ Användningsområdet beskrivs i den här bruksanvisningen. Använd inte apparaten med andra tillbehör än de som rekommenderas i den här bruksanvisningen och inte heller till andra användningsområden eftersom det kan leda till personskador.
- ◆ Behåll den här bruksanvisningen för framtida referens.

## Använda redskapet

Var alltid försiktig när du använder redskapet.

- ◆ Redskapet är inte avsett att användas av unga eller oerfarna personer utan övervakning.
- ◆ Apparaten ska inte användas som leksak.
- ◆ Låt inte barn eller djur komma i närheten av arbetsområdet. Låt dem inte heller röra vid redskapet eller nätsladden.
- ◆ Om det finns barn i närheten när du använder redskapet ska du övervaka dem noga.
- ◆ Använd den endast på torra ställen. Skydda apparaten från väta.
- ◆ Doppa aldrig apparaten i vatten.
- ◆ Öppna inte höljiet. Det finns inga delar som kan repareras inuti.
- ◆ För att undvika explosionsrisk bör du inte använda apparaten i omgivningar med brandfarliga vätskor, gaser eller damm.
- ◆ Dra aldrig i sladden när du vill ta ut kontakten ur uttaget. Detta för att minska risken för skador på kontakter och sladdar.

## Efter användning

- ◆ Apparaten ska alltid förvaras på en torr och välventilerad plats utom räckhåll för barn när den inte används.
- ◆ Barn ska inte ha tillgång till apparater under förvaring.

- ◆ När redskapet förvaras eller transporteras i en bil ska det placeras i bagageutrymmet eller spännas fast så att det inte rör sig vid plötsliga ändringar av hastighet eller riktning.

## Kontroll och reparationer

- ◆ Kontrollera att redskapet är helt och att inga delar är skadade innan du använder det. Kontrollera att inga delar är trasiga, att strömbrytaren fungerar och att inget annat föreligger som kan påverka apparatens funktion.
- ◆ Använd inte apparaten om någon del har skadats eller gått sönder.
- ◆ Reparera eller byt ut skadade eller trasiga delar på en auktoriserad verkstad.
- ◆ Försök aldrig ta bort eller byta ut andra delar än de som anges i den här bruksanvisningen.

## Ytterligare säkerhetsanvisningar för gräsklippare

- ◆ Håll gräsklipparen i ett stadigt grepp med båda händerna vid användning.
- ◆ Om du någon gång behöver luta gräsklipparen ska du ha båda händerna i rätt läge för användning när gräsklipparen lutas. Håll båda händerna i rätt läge för användning tills gräsklipparen åter står på marken.
- ◆ Bär aldrig hörlurar med musik när du använder gräsklipparen.
- ◆ Försök aldrig justera hjulhöjden medan motorn är igång eller när säkerhetsnyckeln sitter på sin plats.
- ◆ Om gräsklipparen kör fast ska du släppa säkerhetsbyggen för att stänga av den och vänta tills kniven stannat. Ta sedan ur säkerhetsnyckeln innan du rensar utkastaren eller tar bort någonting från maskinens undersida.
- ◆ Håll händerna och fötterna borta från knivområdet.
- ◆ Håll knivarna välslipade. Använd alltid skyddshandskar när du hanterar gräsklipparens kniv.
- ◆ Om du använder gräsbehållaren (5) bör du regelbundet kontrollera att den inte är utsliten eller har skadats. Om den är alltför sliten bör du för din egen säkerhet byta ut behållaren mot en ny.
- ◆ Var extra försiktig när du backar eller drar gräsklipparen mot dig.
- ◆ Ha inte händer eller fötter i närheten av eller under gräsklipparen. Stå aldrig framför utmatningsöppningarna.
- ◆ Rensa området där gräsklipparen ska användas från stenar, grenar, ledningar, leksaker, ben osv. eftersom de kan kastas iväg av knivarna. Föremål som träffas av knivarna kan orsaka allvarliga personskador. Stanna bakom handtaget när motorn är igång.
- ◆ Var inte barfota och bär inte sandaler när du använder gräsklipparen. Bär alltid kraftiga skor.
- ◆ Dra inte gräsklipparen baklänges om det inte är absolut nödvändigt. Titta alltid nedåt och bakåt innan och medan du drar gräsklipparen baklänges.

- ◆ Rikta aldrig utmatningen mot någon annan. Undvik utmatning mot en vägg eller ett hinder. Material kan studsas tillbaka mot användaren. Släpp säkerhetsbygeln för att stänga av gräsklipparen och låt kniven stanna innan du korsar grusområden.
- ◆ Använd inte gräsklipparen om inte gräsbehållare, utkastarskydd, bakre skydd och andra säkerhetsanordningar är monterade och fungerar. Kontrollera alla skydd och säkerhetsanordningarna regelbundet för att säkerställa att de är hela och fungerar som de ska. Byt ut skadade skydd och säkerhetsanordningar innan fortsatt användning.
- ◆ Lämna aldrig gräsklipparen obebaktad när den är igång. Ha alltid för vana att ta ur säkerhetsnyckeln när du lämnar gräsklipparen oövervakad.
- ◆ Släpp alltid säkerhetsbygeln för att stoppa motorn och vänta tills kniven har stannat helt. Ta sedan ur säkerhetsnyckeln innan gräsklipparen rengörs, gräsbehållaren tas bort, utkastarskyddet rensas, gräsklipparen lämnas obebaktad eller justeringar, reparationer eller kontroller utförs.
- ◆ Använd bara gräsklipparen i dagsljus eller i bra artificiell belysning när föremål inom knivarnas skärningsområde är väl synliga för den som kör gräsklipparen.
- ◆ Använd inte gräsklipparen om du är påverkad av alkohol eller droger eller när du är trött eller sjuk. Var uppmärksam, tänk på vad du gör och använd sunt förnuft.
- ◆ Undvik farliga miljöer. Använd aldrig gräsklipparen i fuktigt eller vått gräs och använd den aldrig när det regnar. Se alltid till att alltid ha bra fotfäste. Gå alltid, spring aldrig.
- ◆ Om gräsklipparen börjar vibrera på ett onormalt sätt ska du släppa säkerhetsbygeln, vänta tills kniven har stannat och ta ur säkerhetsnyckeln. Kontrollera sedan genast orsaken till problemet. Vibrationer innebär oftast problem. Titta i felsökningsguiden för råd vid onormala vibrationer.
- ◆ Bär alltid skyddsglasögon och munskydd när du använder gräsklipparen.
- ◆ Det kan vara farligt att använda tillbehör som inte är rekommenderade för användning med den här gräsklipparen. Använd enbart tillbehör godkända av Black & Decker.
- ◆ Sträck dig inte för långt när du använder gräsklipparen. Se till att du alltid har säkert fotfäste och god balans när du använder gräsklipparen.
- ◆ Arbeta tvärs över sluttningar, inte upp och ner. Var mycket försiktig när du byter riktning vid arbete på sluttningar.
- ◆ Se upp för hål, hjulspår, gupp, stenar eller andra dolda föremål. Ojämn terräng kan orsaka halk- och fallskador. Långt gräs kan dölja hinder.
- ◆ Klipp inte i vått gräs eller mycket branta sluttningar. Dåligt fotfäste kan orsaka halk- och fallskador.
- ◆ Klipp inte i närheten av branter, diken eller sluttningar. Du kan tappa fotfästet eller balansen.

## Andras säkerhet

- ◆ Redskapet ska inte användas av personer (inklusive barn) med nedsatt fysisk eller psykisk förmåga eller bristande erfarenhet och kunskap, om de inte får vägledning och övervakas av en person som ansvarar för deras säkerhet.
- ◆ Barn måste hållas under uppsikt så att de inte leker med redskapet.

## Övriga risker.

Ytterligare risker som inte finns med i de bifogade säkerhetsföreskrifterna kan uppstå när verktyget används. Dessa risker kan uppstå vid felaktig användning, långvarig användning, o.s.v.

Även om alla relevanta säkerhetsföreskrifter följs och säkerhetsanordningar används kan vissa ytterligare risker inte undvikas. Dessa innefattar:

- ◆ **Skador orsakade av att roterande/rörliga delar vidrörs.**
- ◆ **Skador som uppstår vid byte av delar, blad eller tillbehör.**
- ◆ **Skador som orsakas av långvarig användning av ett verktyg. Se till att ta regelbundna raster när du använder ett verktyg under en längre period.**
- ◆ **Skador på hörseln.**
- ◆ **Hälsorisker orsakade av inandning av damm när redskapet används (exempel: arbete med trä, särskilt ek, bok och MDF).**

## Varningssymboler

Redskapet är märkt med följande varningssymboler:



**Varning!** Läs bruksanvisningen innan du använder redskapet.



Redskapet ska inte exponeras för regn eller hög luftfuktighet.



Tänk på att knivarna är vassa. Ta alltid ur säkerhetsnyckeln innan gräsklipparen rengörs, gräsbehållaren tas bort, utkastarskyddet rensas, gräsklipparen lämnas obebaktad eller innan justeringar, reparationer eller kontroller utförs.



Se upp för flygande föremål. Håll andra personer borta från arbetsområdet.



Använd skyddsglasögon



Kniven fortsätter att rotera en kort stund efter att du har stängt av maskinen.



Garanterad ljudnivå enligt direktiv 2000/14/EG.

## Ytterligare säkerhetsinstruktioner för batterier och laddare

### Batterier

- ◆ Försök aldrig att öppna batterierna.
- ◆ Utsätt inte batteriet för vatten.
- ◆ Utsätt inte batteriet för värme.
- ◆ Förvara inte på platser där temperaturen kan bli högre än 40 °C.
- ◆ Ladda endast vid temperaturer mellan 10 °C och 40 °C.
- ◆ Ladda endast med hjälp av laddaren som medföljer apparaten. Användning av fel laddare kan resultera i en elektrisk stöt eller att batteriet överhettas.
- ◆ Följ instruktionerna i avsnittet "Miljö" när du gör dig av med batterier.
- ◆ Skydda batteriet från skador/deformeringar i form av slag och stötar eftersom det kan leda till personskador eller eldsvåda.
- ◆ Ladda inte skadade batterier.
- ◆ Under extrema förhållanden kan batterierna läcka. Om det finns vätska på batterierna ska du torka bort vätskan försiktigt med en trasa. Undvik hudkontakt.
- ◆ Följ instruktionerna nedan vid kontakt med hud eller ögon.

**Varning!** Batterivätskan kan orsaka person- eller materialskador. Vid hudkontakt, skölj genast med vatten. Vid rodnader, smärta eller irritation ska läkare uppsökas. Vid kontakt med ögon, skölj genast med rent vatten och uppsök läkare.

Försök inte ladda skadade batterier.



### Laddare

Laddaren är avsedd för en viss spänning.

Kontrollera alltid att nätspänningen överensstämmer med värdet på typskylten.

**Varning!** Försök aldrig byta ut kontakten till laddaren mot en vanlig kontakt.

- ◆ Använd laddaren från Black & Decker endast för att ladda batteriet i den apparat som laddaren levererades med. Andra batterier kan spricka och orsaka personskador och andra skador.
- ◆ Försök aldrig att ladda ej uppladdningsbara batterier.
- ◆ Om nätsladden är skadad måste den för undvikande av fara bytas ut av tillverkaren eller en auktoriserad Black & Decker-verkstad.
- ◆ Utsätt inte laddaren för vatten.
- ◆ Öppna inte laddaren.
- ◆ Gör ingen åverkan på laddaren.
- ◆ Redskapet/verkyget/batteriet ska placeras på en plats med god ventilation vid laddning.



Laddaren är endast avsedd för användning inomhus.



Läs den här bruksanvisningen före användning.

## Elsäkerhet



Eftersom laddaren är dubbelisolerad behövs ingen jordledare. Kontrollera alltid att nätspänningen överensstämmer med värdet på typskylten. Försök aldrig byta ut kontakten till laddaren mot en vanlig kontakt.

- ◆ Om nätsladden är skadad måste den bytas ut av tillverkaren eller en auktoriserad Black & Decker-verkstad för att undvika farliga situationer.

## Funktioner

Den här apparaten har några eller samtliga av följande funktioner.

1. Säkerhetsnyckel
2. Säkerhetsbygel för kniven
3. Säkerhetsbygel för självgående drift
4. Hastighetsspak
5. Handtag
6. Fjädrande baklucka
7. Reglage för justering av handtaget
8. Fästbultar för handtaget
9. Batterispärr
10. Batterispak
11. Löstagbart batteri
12. Reglage för multiklippning
13. Klipphöjdsspak
14. Klipphöjdsindikator
15. Gräsbehållare

## Montering

**Varning!** Se till att redskapet är avstängt och att det inte är anslutet innan monteringen börjar.

### Uppackning (fig. A och B)

**Varning!** Klämrisk – undvik att klämma fingrarna genom att hålla dem borta från området mellan handtaget och plåtarna.

- ◆ Skär försiktigt ned utefter lådsidorna mitt emot styret och vik ned lådgaveln enligt bilden.
- ◆ När lådsidan fällt ned tar du ut fyllningen, laddaren, tillbehörspåsen och gräsbehållaren och skjuter ut gräsklipparen ur den öppna lådan.

**Varning!** Vass roterande kniv. Håll alla kroppsdelar borta från kniven.

## Sätta ihop handtaget (fig. C)

Verktyg som behövs för montering medföljer inte: Justerbar 13 mm nyckel (motsvarar 1/2 tum):

- ◆ Placera handtaget (5) så att dess hål överensstämmer med hålen i plåten (16). Handtagets snabbjusteringsreglage (7) överensstämmer med sidoplåtens (16) övre hål.
- ◆ Sätt in handtagets fästbultar (8) i handtagets (5) hål och skruva in dem i plåten (16). Upprepa samma sak för andra sidan innan du drar åt.
- ◆ Dra åt handtagets fästbultar (8) ordentligt med en justerbar eller 13 mm nyckel (motsvarar 1/2 tum).
- ◆ Se handtagsjusteringen när du ställer in önskad höjd på handtaget. Skjut eller använd inte gräsklipparen om inte handtaget är ordentligt fastsatt och åtdraget.

**Varning!** Klämrisk – undvik att klämma fingrarna genom att hålla dem borta från området mellan handtaget (5) och plåtarna (16).

## Justering av handtaget (fig. D)

Gräsklipparens handtag kan justeras i höjddled. Så här justerar du det till önskad höjd:

- ◆ Håll handtaget (5) med en hand, dra ut och rotera en av handtagets justeringsreglage (7) ett kvarts varv för att frigöra sprinten från metallplåtens hål.
- ◆ Upprepa samma sak för motsatta sidan. Nu kan du flytta handtaget (5) till en annan höjd.
- ◆ Flytta handtaget till önskat höjdläge.
- ◆ Dra ut och rotera ett av handtagets justeringsreglage (7) ett kvarts varv för att återföra sprinten till metallplåtens hål. Upprepa samma sak för motsatta sidan.

## Montera gräsbehållaren (bild E och F)

- ◆ Fäst gräsbehållaren (15) vid ramen (17).
- ◆ Fäst gräsbehållarens övre klämmor vid ramen.
- ◆ Fäst gräsbehållarens två sidoklämmor vid ramen och därefter den nedre klämman.

## Justering av hjulhöjden (bild G & H)

Din gräsklippare är utrustad med Black & Deckers system för snabbjustering av hjulhöjden. Med det här systemet justeras alla fyra hjulen samtidigt.

Gräsklipparen har sju justeringslagen för knivhöjd (38 mm till 89 mm). Ta hjälp av skalan och visaren på gräsklipparens framsida. Visaren indikerar höjdställningen för din gräsmatta. Den här inställningen fungerar som mall nästa gång du vill klippa gräsmattan i samma höjd.

- ◆ Släpp säkerhetsbygeln (3) för att stanna gräsklipparen, vänta tills kniven stannat och ta därefter ur säkerhetsnyckeln (1).
- ◆ Du höjer eller sänker klipphöjden genom att placera handflatan på handstödet (18) och sätta fingrarna mot fingregreppet (19).
- ◆ Håll fingrarna mot fingregreppet (19) medan du höjer eller sänker klipphöjden till önskat läge. Höjdindikatorn visar aktuell inställning (fig. H).
- ◆ När gräsklipparen befinner sig i önskat höjdläge håller du den på plats med din vänsterhand på det högra nedre handtaget och släpper fingregreppet (19) för att låsa höjdjusteringen.

**Obs!** Tryck på handstödet när du släppt fingregreppet för att kontrollera att gräsklipparen är låst i något av höjdlägena.

### Ta bort och montera batteriet (fig. I och K)

Batteriet (11) kan tas bort från gräsklipparen vid förvaring/laddning eller laddas på plats.

#### Innan du lossar batteriet:

- ◆ Se till att gräsklipparen står på ett jämnt underlag.
- ◆ Släpp säkerhetsbygeln (3) för att stanna gräsklipparen, vänta tills kniven stannat och ta därefter ur säkerhetsnyckeln (1).

#### Ta bort batteriet:

- ◆ Lyft batterispaken (10) för att frigöra batterispärren (9) och vrid den bakåt bort från batteriet. Lyft ur batteriet.

#### Montera batteriet

Innan du monterar batteriet ser du till att gräsklipparen är fri från skräp och att laddningskontakten (20) är bortkopplad från batteriet (11).

- ◆ Skjut in batteriet på gräsklipparen. (batteriet kan bara sättas i på ett sätt.)
- ◆ Fäst batteriet på gräsklipparen genom att klämma till batterispärren (9) över batteriets (11) kant och sedan trycka ned batterispaken (10) tills den klickar på plats.

### Användning

**Varning!** Låt apparaten arbeta i sin egen takt. Överbelasta den inte.

#### Ladda batteriet (fig. J–L)

**Obs!** Ladda batteriet innan du använder det första gången.

Batteriet kan antingen lossas från gräsklipparen vid laddning eller laddas på plats.

- ◆ Släpp säkerhetsbygeln (3) för att stanna gräsklipparen, vänta tills kniven stannat och ta därefter ur säkerhetsnyckeln (1).
- ◆ Rikta in de gröna (+) och vita (-) kontaktorna mot varandra och sätt in laddarens kontakt (20) i honuttaget (22) på gräsklipparen eller lyft ur batteriet och sätt in laddarens kontakt (20) i batteriets honuttag (21).
- ◆ Laddarens kontakt (20) kan bara kopplas till gräsklipparens honuttag på ett sätt.
- ◆ Sätt in laddarens 240 V-kontakt i ett eluttag (fig. L).
- ◆ Den röda lampan (26) på laddaren (24) tänds och visar att batteriet laddas. Om den röda lampan inte lyser kontrollerar du att laddningskontakten är rätt ansluten.
- ◆ När laddningen är klar slocknar den röda lampan (26) och den gröna lampan tänds.

Det tar omkring 16 timmar att ladda ett helt urladdat batteri.

Vi rekommenderar att batteriet står på kontinuerlig laddning när det inte används för optimala prestanda under gräsklipparsäsongen.

Laddaren som medföljer den här produkten är avsedd att anslutas så att den är rätt orienterad i upprätt eller golvmonterat läge.

#### Laddningsindikatorns status (fig. K)

Batteriet är utrustat med en laddningsindikator. Den visar batteriets laddningsnivå under användning.

- ◆ Tryck på laddningsindikatorknappen (23).

#### Säkerhetsnyckel

Ta ur säkerhetsnyckeln:

- ◆ När du lämnar apparaten oövervakad.
- ◆ Innan du tar bort ett stopp.
- ◆ Innan du kontrollerar, rengör eller arbetar med apparaten.
- ◆ När apparaten kört på ett främmande föremål.
- ◆ Om apparaten börjar vibrera på ett onormalt sätt.

### Slå på och av

**Varning!** Vass roterande kniv. Försök aldrig koppla förbi strömbrytaren eller säkerhetsnyckelsystemet eftersom det kan leda till allvarliga olyckor.

#### Starta (fig. M)

- ◆ Sätt in säkerhetsnyckeln (1) helt i strömbrytarhöljet.
- ◆ Tryck in knappen (27) på sidan av strömbrytarhöljet.
- ◆ Dra säkerhetsbygeln för kniven (3) mot handtaget (5).

**Stänga av (fig. M)**

- ◆ Stäng av gräsklipparen genom att släppa säkerhetsbygelgen för kniven (3).

När säkerhetsbygelgen (3) har återvänt till ursprungsläget aktiveras den automatiska bromsmekanismen. Motorn bromsas elektriskt och gräsklipparens kniv slutar rotera på 3 sekunder eller snabbare.

**Hastighetsreglage för självgående drift (fig. M)**

Gräsklipparen är utrustad med självgående drift med varierbar hastighet. Den självgående driften är oberoende från strömbrytaren för kniven. Den kan användas med eller utan roterande kniv. Om du till exempel har avslutat klippningen av gräsmattan kan du använda den självgående driften för att driva gräsklipparen tillbaka till förvaringsutrymmet utan att kniven roterar.

**Så här fungerar den självgående driften utan roterande kniv:**

- ◆ Sätt i säkerhetsnyckeln (1) helt i strömbrytarhöljet.
- ◆ Tryck säkerhetsbygelgen (2) för den självgående driften mot handtaget (5).
- ◆ Stäng av den självgående driften genom att släppa dess säkerhetsbygel.

**Obs!** Den självgående driften har varierbar hastighet. Du väljer hastighet genom att flytta väljarspaken (4). När du flyttar spaken framåt ökar hastigheten. När du flyttar spaken i motsatt riktning minskar hastigheten.

**Så här fungerar den självgående driften med roterande kniv:**

- ◆ Sätt i säkerhetsnyckeln (1) helt i strömbrytarhöljet.
- ◆ Tryck på knappen (27) på sidan av strömbrytarhöljet och dra sedan knivens säkerhetsbygel (3) mot handtaget (5).
- ◆ Håll knivens säkerhetsbygel mot handtaget med höger hand. Tryck nu säkerhetsbygelgen (2) för den självgående driften mot handtaget (5) med vänster hand.
- ◆ Du kan hålla båda säkerhetsbyglarna samtidigt mot handtaget med vänster hand.

**Obs!** När du stänger av den självgående driften, till exempel vid slutet av en rad, läses den tillfälligt om du vill dra gräsklipparen bakåt. Tryck den bara lite framåt och flytta den sedan gräsklipparen dit du vill.

**Obs!** Under klippning kan det ibland vara enklare att styra runt ett föremål, t.ex. ett träd eller växter, med den självgående driften avstängd. Gräsklipparen är lätt att använda med den självgående driften avstängd.

**Multiklippning "VID BEHOV" (fig. N och O)**

Gräsklipparen har en funktion som ställer om från multiklippning till uppsamling eller utmatning när du vrider på ett reglage:

- ◆ Släpp säkerhetsbygelgen (3) för att stanna gräsklipparen, vänta tills kniven stannat och ta därefter ur säkerhetsnyckeln (1).

**Utmatningsläge:**

- ◆ Ta bort gräsupsamlaren.
- ◆ Se till att den bakre utkastarluckan vilar stadigt mot maskinen.
- ◆ Tryck och vrid reglaget så att det är i linje med ordet "UTMATNING" (fig N).

**Obs!** Gräsklipparen är nu i bakre utmatningsläge. Det klippta gräset lämnas innanför den stängda dörren och ned på gräsmattan.

**Uppsamlingsläge:**

- ◆ Montera gräsupsamlaren.
- ◆ Se till att den bakre utkastarluckan vilar stadigt mot övre delen av gräsupsamlaren.
- ◆ Tryck och vrid reglaget så att det är i linje med ordet "UPPSAMLING" (se figur N).

**Obs!** Gräsklipparen är nu i bakre uppsamlingsläge. Om du nu vill ändra till utmatningsläge bakåt tar du bara bort uppsamlaren.

**Multiklippningsläge:**

- ◆ Du ställer om till multiklippningsläge genom att vrida reglaget så att det är i linje med ordet "MULTIKLIPPNING" (se figur O). Gräsklipparen är nu i multiklippningsläge.

**Obs!** Om reglaget blir svårt att vrida runt behöver du kanske rensa utkastaren.

- ◆ Släpp knivens säkerhetsbygel för att stanna gräsklipparen och vänta tills kniven stannat helt och hållet. Ta sedan ur säkerhetsnyckeln och batteriet.
- ◆ Håll upp utmatningsdörren och rensa bort eventuell skräp som samlats runt utkastaren. Rensa även maskinens undersida om det behövs.

**Montera gräsbehållaren (bild P och Q)**

- ◆ Släpp säkerhetsbygelgen för kniven (3) för att stanna gräsklipparen, vänta tills kniven stannat och ta därefter ur säkerhetsnyckeln (1).
- ◆ Öppna den fjädrande utkastarluckan (6) till vertikalt läge och håll den öppen.
- ◆ Använd gräsbehållarens (15) handtag (29) och montera gräsbehållaren mellan styrets sidor.
- ◆ Placera gräsbehållarens krokar på gräsklipparen (fig Q).



- ◆ Släpp den bakre utmatningsluckan (6).

## Råd för optimal användning

Gräsmattan bör klippas första gången under våren när gräset är mellan 63 och 76 mm högt. Om du klipper gräsmattan för tidigt på säsongen kan det leda till att grässets rotsystem, som förnyas varje vår, begränsas. En ny gräsmatta bör klippas när den är omkring 63 mm.

Klipp inte för mycket av grässtråna på en gång, aldrig mer än 1/3 av gräshöjden vid varje klippning. Om du klipper för kort "chockas" känsliga grässtrån och det leder till att rotsystemet blottas, vilket i sin tur gör det svårare för gräsmattan att ta upp det vatten som finns i jorden.

Klipp din gräsmatta när det är torrt för att undvika vått gräs som klumpar sig. Om du har möjlighet att välja är det bäst att klippa gräsmattan sent på eftermiddagen, inte bara för att gräset är torrt utan också för att det känsliga nyklippta området inte kommer utsättas för intensivt solljus.

För att du ska få ett jämnt och fint resultat bör du se till att kniven hålls vass. Detta förbättrar din gräsklippares prestanda och gör att din gräsmatta ser bättre ut. En trubbig kniv splittrar och skadar grässtrånas toppar. Det här minskar din gräsmattas tillväxt och ökar känsligheten för angrepp på gräset. Om grässtrånas toppar skadas får de en brunaktig färg och det gör din gräsmatta fulare. En trubbig kniv ökar också risken för att grässådd rycks upp.

Försök att klippa gräsmattan med samma klipphöjd varje gång. Även om det finns tillfällen då du bör variera klipphöjden över de olika årstiderna ger en jämn och oförändrad klipphöjd en vitalare och vackrare gräsmatta, ofta med mindre ogräs. Klipp din gräsmatta oftare under de perioder den växer snabbare. Genom att klippa gräsmattan ofta döljer du mindre vackra delar av gräsmattan.

Om gräset blivit för högt, vilket kan ske om gräsmattan inte klippts under en tid, t.ex. i samband med en semesterresa, ändrar du klipphöjden så att du klipper ett eller två steg högre än normalt. Ytterligare en klippning med din vanliga klipphöjd några dagar senare återställer skicket på din gräsmatta. Det är lätt att ändra klipphöjden med Black & Deckers system för snabbjustering av hjulhöjden eftersom alla fyra hjulen justeras samtidigt.

Under våren och hösten eller efter en utebliven klippning är gräset längre och tjockare. Om motorn går långsammare vid klippning kan du prova att ställa hjulen högre. Kraftig motorbelastning kan leda till ojämnt klippresultat, att batteriet laddas ur snabbare och att motorn överbelastas och stannar.

Det finns tre bra sätt att förbättra din gräsmattas utseende: Variera klippriktningen ofta och klipp horisontellt i slutningar (detta är också bra ur säkerhetssynpunkt) och glöm inte att alltid överlappa klippspår.

Klipp alltid gräset så att klippresterna hamnar på den klippta delen av gräsmattan. Detta ger din gräsmatta ett fräsch utseende genom att förhindra ansamlingar av klippt gräs som med tiden blir brunt och fult. På så sätt bevaras också batteriets laddning längre, vilket gör att du får ut mesta möjliga av din elgräsklippare från Black & Decker.

Under våren och hösten när gräset är längre och tjockare kan du använda gräsklipparen även om batteriet inte är fulladdat (d.v.s. när den gröna laddningslampan är tänd). Då kan du göra snabba klippningar, men vi rekommenderar inte att detta görs ofta. Batteriet och gräsklipparen presterar bättre när batteriet är fulladdat.

## Tips vid klippning

**Obs!** Inspektera alltid området där gräsklipparen ska användas och rensa bort alla stenar, grenar, ledningar, ben osv. eftersom de kan kastas iväg av den roterande kniven.

- ◆ Arbeta tvärs över slutningar, inte upp och ned. Var mycket försiktig när du byter riktning vid arbete på slutningar. Använd inte gräsklipparen i branta slutningar. Se till att alltid ha bra fotgrepp.
- ◆ Släpp säkerhetsbygel (3) för att stänga av gräsklipparen när du korsar grusområden eftersom den roterande kniven kan slunga iväg stenar.
- ◆ Ställ gräsklipparen på högsta klipphöjden när du klipper på ojämn mark eller i högt gräs. Om gräsklipparen klipper för mycket gräs på en gång kan motorn överhettas, vilket leder till att gräsklipparen stannar. Använd felsökningsguide.

Om gräsupsamlaren (15) används under den snabbväxande säsongen kan gräset komma att täppa igen utkastaröppningen.

- ◆ Släpp säkerhetsbygel (3) för att stanna gräsklipparen och ta därefter ur säkerhetsnyckeln (1).
- ◆ Ta bort gräsupsamlaren (15) och skaka tills gräset hamnar längst bak i behållaren.
- ◆ Rensa bort eventuellt gräs eller skräp som samlats runt utkastaröppningen.
- ◆ Montera gräsupsamlaren (15) igen.

Om gräsklipparen börjar vibrera på ett onormalt sätt:

- ◆ Släpp säkerhetsbygel (3) omedelbart för att stanna gräsklipparen och ta därefter ur säkerhetsnyckeln (1) och batteriet (11).

- ◆ Ta reda på orsaken till vibrationerna. Vibrationer är ett varningstecken. Använd inte gräsklipparen förrän den genomgått en servicekontroll. Använd felsökningsguiden i bruksanvisningen.

**Obs!** Släpp alltid säkerhetsbygeln för att stanna gräsklipparen och ta därefter ur säkerhetsnyckeln även om du bara lämnar den oöverbakad under en kort tid.

Så här kan du optimera drifttiden för din sladdlösa gräsklippare:

- ◆ Kör långsammare i områden där gräset är extra högt eller tjockt.
- ◆ Vid multiklippning ska du undvika att klippa mer än 38 mm av gräslängden.
- ◆ Undvik att klippa när gräset är fuktigt.
- ◆ Klipp din gräsmatta ofta, särskilt när den växer mycket.

**Obs!** Vi rekommenderar att du laddar din gräsklippare efter varje användning. Det skadar inte batteriet att ladda det ofta och dessutom är batteriet då alltid fulladdat.

## Tips vid multiklippning

Vid multiklippning finfördelar gräsklipparen grässtråna och sprider ut dem på gräsmattan igen. Under normala förhållanden bryts det multiklippda gräset snabbt ned och förser gräsmattan med näring.

Rekommendationer för optimal multiklippning:

- ◆ Undvik att klippa när gräset är fuktigt. Fuktigt gräs kan leda till att klumpar bildas, vilket stör multiklippningen och förkortar drifttiden. Den bästa tidpunkten för gräsklippning är på eftermiddagen när gräset är torrt och det nyklippda området inte utsätts för direkt solljus.
- ◆ För bästa multiklippningseffekt ställer du klipphöjden så att ungefär en tredjedel av gräshöjden tas bort, helst inte mer än 38 mm åt gången. Om gräset är väldigt långt kan det vara nödvändigt att öka klipphöjden för att underlätta framdrivningen och förhindra att motorn överhettas.
- ◆ Vid extremt kraftig multiklippning bör du först klippa med en högre klipphöjd och sedan klippa med slutliga klipphöjden eller klippa smalare och långsammare.

För bästa prestanda bör du hålla gräsklipparhöljet fritt från gräs som fastnar:

- ◆ Släpp säkerhetsbygeln (3) för att stanna gräsklipparen och vänta tills kniven stannat helt och hållet.
- ◆ Ta ur säkerhetsnyckeln (1) och batteriet (11) och ställ gräsklipparen på sidan.

- ◆ Ta bort gräs som samlats runt kniven med en skrapa som inte är vass. Akta dig för knivens vassa kanter. Rengör oftare när du klipper frodigt gräs och alltid efter varje gång du använder gräsklipparen.

Vissa grästyper eller gräsförhållanden kräver att området multiklippas en andra gång för att gräset ska spridas ordentligt över hela gräsmattan.

Om du klipper en andra gång bör du klippa gräsmattan vinkelrätt mot det första klippmönstret, men klipp för den skull aldrig i nedförsbacke.

- ◆ Ändra klippmönster från vecka till vecka. Då mattas inte gräsmattan.

## Underhåll

Det här Black & Decker-verktyget (med eller utan sladd) är konstruerat för att fungera under lång tid med minsta möjliga underhåll. Med rätt underhåll och regelbunden rengöring behåller verktyget/redskapet sin kapacitet.

Laddaren behöver inget annat underhåll än regelbunden rengöring.

**Varning!** Innan något underhåll utförs på elektriska redskap med eller utan sladd:

- ◆ Stäng av redskapet/verktyget och dra ur nätkontakten.
- ◆ Du kan också ta ut batteriet ur redskapet om redskapet har ett separat batteri.
- ◆ Om batteriet är inbyggt låter du det laddas ur helt innan avstängningen.
- ◆ Dra ur sladden till laddaren innan du rengör den. Laddaren behöver inget annat underhåll än regelbunden rengöring.
- ◆ Rengör regelbundet redskapets/verktygets/laddarens luftintag med en mjuk borste eller torr trasa.
- ◆ Rengör motor kåpan regelbundet med en fuktig trasa. Använd aldrig rengöringsmedel med lösnings- eller slipmedel.
- ◆ Ta med jämna mellanrum bort gräs och smuts från skyddets undersida med en slö skrapa.

## Ta bort och montera kniven (fig. R och S)

**Varning!** Vidrör inte kniven förrän säkerhetsnyckeln har tagits ur och kniven har stannat helt.

- ◆ Släpp säkerhetsbygeln (3) för att stanna gräsklipparen, vänta tills kniven stannat och ta därefter ur säkerhetsnyckeln (1).

- ◆ Såga till en träbit (ungefär 50 mm × 100 mm × 600 mm lång) som du använder för att hindra kniven från att röra sig medan du tar bort flänsmuttern.
- ◆ Lägg gräsklipparen på sidan.

**Varning!** Använd handskar och ordentligt skydd för ögonen. Akta dig för knivens vassa kanter.

- ◆ Sätt träbiten (32) på plats och ta bort flänsmuttern (30) med en 19 mm nyckel (31) (fig. R).
- ◆ Ta bort den fyrkantiga metallbrickan (37), den fyrkantiga plastbrickan (33) och kniven (34) (fig S). Kontrollera om det finns skador på knivisolatorn (35) och byt den om det behövs.

När du monterar kniven ska du se till att rätt sida av kniven är vänd mot marken när gräsklipparen ställs tillbaka på hjulen.

- ◆ När du monterat kniven placerar du knivisolatorn (35) mot kniven så att de höjda flänsarna på ena sidan passar mot kanterna på kniven (34).
- ◆ Montera distansbrickan (36) så att den sitter inuti de upphöjda flänsarna på andra sidan knivisolatorn (35). Se till att passa in de platta sidorna av hålen i distansbrickan (36) med axelns platta sidor. Roterar kniven och knivisolatorn tillsammans om det behövs.
- ◆ Placera träbiten (32) så att den hindrar kniven från att röra sig (fig. R).
- ◆ Montera flänsmuttern (30) med flänsen mot den fyrkantiga metallbrickan (37) och dra åt.

## Slipa kniven (fig. T)

För bästa prestanda bör du se till att kniven hålls vass. En slö kniv varken klipper eller finfördelar gräset ordentligt.

**Varning!** Se alltid till att säkerhetsnyckeln är urtagen.

**Varning!** Se till att skydda ögonen ordentligt när du tar bort, slipar eller monterar en kniv.

Under normala förhållanden räcker det att slipa kniven två gånger under en klippsäsong. Sand gör att kniven snabbt blir slö. Om din gräsmatta växer i sandjord kan du behöva slipa knivarna oftare.

- ◆ Byt ut böjda eller skadade knivar omedelbart.

## Vid slipning av kniven:

- ◆ Kontrollera att kniven förblir balanserad.
- ◆ Slipa kniven med den ursprungliga klippningsvinkeln.
- ◆ Slipa skärkanterna i båda ändar av kniven och avlägsna lika mycket material från båda ändarna.

## Slipa en kniv i ett skruvstöd (fig. T)

- ◆ Slåpp säkerhetsbygeln (3) för att stanna gräsklipparen och vänta tills kniven stannat helt och hållet.
- ◆ Ta ur säkerhetsnyckeln (1) och batteriet (11) och ställ gräsklipparen på sidan.
- ◆ Ta bort kniven (34) från gräsklipparen. Se anvisningarna för borttagning och montering av knivar.

**Varning!** Använd ordentligt skydd för ögonen och handskar och var försiktig med knivens vassa kanter.

- ◆ Placera kniven (34) i ett skruvstöd.
- ◆ Fila knivens skärkanter försiktigt med en fintandad fil eller ett byrre för att återskapa den ursprungliga skärkanten.
- ◆ Kontrollera knivens balans. Se anvisningarna för knivbalansering.
- ◆ Montera kniven (34) på gräsklipparen och se till att den sitter fast. Se anvisningarna för borttagning och montering av kniv.

## Knivbalansering (fig. U)

- ◆ Du kontrollerar knivens balans genom att placera knivens centrumhål runt en spik eller en skruvmejsel med runt skaft som fästs horisontellt i ett skruvstöd. Om någon av knivens ändar rör sig nedåt filar du den änden på kniven tills kniven är balanserad.

## Smörjning

Ingen smörjning behövs. Häll inte olja på hjulen. Hjulens lagerytor är av plast och behöver inte smörjas.

## Rengöring

- ◆ Slåpp säkerhetsbygeln (3) för att stanna gräsklipparen och vänta tills kniven stannat helt och hållet.
- ◆ Ta ur säkerhetsnyckeln (1).
- ◆ Använd bara mild tvål och en fuktig trasa för att rengöra gräsklipparen.
- ◆ Använd ett trubbigt verktyg för att rensa bort eventuella gräsrester som kan ha smamlats under gräsklipparen.
- ◆ Efter flera användningar bör du kontrollera alla utsatta fästelement är ordentligt åtdragna.

## Förebygga korrosion

Gödningssmedel och andra trädgårdskemikalier innehåller ämnen som i hög grad påskyndar korrosion av metaller. Om du klipper i områden där gödningssmedel eller kemikalier har använts bör gräsklipparen rengöras så här efteråt:

- ◆ Slåpp säkerhetsbygeln (3) för att stanna gräsklipparen och vänta tills kniven stannat helt och hållet.
- ◆ Ta ur säkerhetsnyckeln (1).
- ◆ Torka av alla åtkomliga delar med en fuktigt trasa.

## Transport och förvaring

**Varning!** Den roterande kniven kan orsaka allvariga skador. Släpp säkerhetsbygeln för att stanna gräsklipparen och ta ur säkerhetsnyckeln innan gräsklipparen lyfts, transporteras eller förvaras. Förvara gräsklipparen på ett torrt ställe.

**Obs!** Det blir lättare att lyfta gräsklipparen om batteriet tas ur först. Använd inte batterispärren för att lyfta gräsklipparen.

## Förvaring vintertid

Vi rekommenderar att batteriet står på kontinuerlig laddning för optimala prestanda i varma klimat.

Batteriet kan förvaras med laddaren frånkopplad om följande villkor är uppfyllda.

- ◆ Batteriet är fulladdat innan förvaring.
- ◆ Medeltemperaturen i förvaringsutrymmet ligger under 10 °C (50 °F).

## Skydda miljön



Separat insamling. Produkten får inte kastas i hushållssoptorna.

Tänk på miljön när du slänger denna Black & Decker-produkt. Släng den inte tillsammans med hushållsavfallet. Lämna produkten för separat insamling.



Insamling av uttjänta produkter och förpackningsmaterial gör att material kan återanvändas. Användning av återvunnet material minskar föroreningar av miljön och behovet av råmaterial.

Lokala föreskrifter kan kräva separat insamling av elprodukter från hushållen, vid kommunala samlingsplatser eller hos återförsäljaren när du köper en ny produkt.

Black & Decker samlar in och återvinner uttjänta Black & Decker-produkter. Om du vill utnyttja denna tjänst återlämnar du produkten till en auktoriserad verkstad, som samlar in den för vår räkning.

För information om närmaste auktoriserade verkstad, kontakta det lokala Black & Decker-kontoret på den adress som är angiven i bruksanvisningen. En lista över alla auktoriserade verkstäder samt servicevillkor finns på Internet: [www.2helpU.com](http://www.2helpU.com)

## Batterier



Kassera batterierna på ett miljövänligt sätt när de är förbrukade:

- ◆ Låt batteriet laddas ur helt och ta sedan ut det ur verktyget.
- ◆ Batterier av typerna nickelkadmium (NiCd), nickelmetallhydrid (NiMH) och litiumjon kan återvinnas. Packa in batterierna så att polerna inte kan kortslutas. Ta med dem till en auktoriserad verkstad eller en återvinningsstation.
- ◆ Undvik att kortsluta batteripolerna.
- ◆ Bränn aldrig batterier eftersom det kan leda till personskador eller orsaka en explosion.

## Tekniska data

		GRC4736SD H 1
Spänning	V <sub>DC</sub>	36
Tomgångshastighet	min <sup>-1</sup>	3300
Vikt	kg	41
Batteri		A1236
Spänning	V <sub>dc</sub>	36
Kapacitet	Ah	12
Typ		Blybatteri
Laddare		905521** typ. 1
Spänning	V <sub>AC</sub>	220–240
Utspänning	V <sub>DC</sub>	36
Strömstyrka	mA	800
Laddningstid, cirka	tim	16

Det vägda geometriska medelvärdet av vibrationsfrekvensen enligt EN 786:

$$= < 2.5 \text{ m/s}^2, \text{ osäkerhet (K) = } 1.5 \text{ m/s}^2.$$

$$L_{PA} \text{ (ljudnivå) } 79 \text{ dB(A)}$$

$$\text{osäkerhet (K) = } 2 \text{ dB(A)}$$

**EG-deklaration om överensstämmelse**

MASKINDIREKTIV

BULLERFÖRESKRIFTER, UTMOMHUS



GRC4736SD

Black &amp; Decker garanterar att produkterna som beskrivs under

"Tekniska data" uppfyller:

2006/42/EG, EN 60335-1, EN 60335-2-91

2000/14/EG, Gräsklippare, L < 50 cm, Annex VI,  
DEKRA Certification B.V., Utrechtseweg 310, ED Arnhem  
Netherlands

Anmält organ, ID-nr: 0344

Den akustiska effekten enligt 2000/14/EG

(Artikel 12, Annex III, L ≤ 50 cm):

 $L_{WA}$  (uppmätt ljudnivå) 93 dB(A)

osäkerhet (K) = 2 dB(A)

 $L_{WA}$  (garanterad ljudnivå) 95 dB(A)

osäkerhet (K) = 2 dB(A)

De här produkterna överensstämmer även med direktivet  
2004/108/EG & 2011/65/EU.

Mer information får du genom att kontakta Black & Decker på  
följande adress eller titta i slutet av bruksanvisningen.

Undertecknad är ansvarig för sammanställningen av tekniska  
data och gör denna försäkran för Black & Decker.

Kevin Hewitt

Vice-President Global Engineering  
Black & Decker Europe, 210 Bath Road, Slough,  
Berkshire, SL1 3YD  
Storbritannien  
01-10-2009

**Garanti**

Black & Decker garanterar att produkten är fri från material- och/eller fabriktionsfel vid leverans till kund. Garantin gäller utöver konsumentens rättigheter enligt lag och påverkar inte dessa. Garantin gäller inom medlemsstaterna i Europeiska Unionen och i det Europeiska Frihandelsområdet.

Om en Black & Decker-produkt går sönder på grund av material- och/eller fabriktionsfel eller brister i överensstämmelse med specifikationen, inom 24 månader från köpet, åtar sig Black & Decker att reparera eller byta ut produkten med minsta besvär för kunden, förutom om:

- ◆ Produkten har använts i kommersiellt eller yrkesmässigt syfte eller i uthyringssyfte.
- ◆ Produkten har utsatts för felaktig användning eller skötsel.
- ◆ Produkten har skadats av främmande föremål, ämnen eller genom olyckshändelse.
- ◆ Reparation har utförts av någon annan än en auktoriserad Black & Decker-verkstad.

Vid garantianspråk ska produkten och inköpskvittot lämnas till återförsäljaren eller till en auktoriserad verkstad. För information om närmaste auktoriserade verkstad, kontakta det lokala Black & Decker-kontoret på den adress som är angiven i bruksanvisningen. En lista över alla auktoriserade Black & Decker-verkstäder samt servicevillkor finns på Internet: [www.2helpU.com](http://www.2helpU.com)

Besök vår webbplats [www.blackanddecker.se](http://www.blackanddecker.se) för att registrera din nya Black & Decker-produkt samt för att erhålla information om nya produkter och specialerbjudanden. Vidare information om märket Black & Decker och vårt produktsortiment återfinns på [www.blackanddecker.se](http://www.blackanddecker.se)

## Bruksområde

Denne maskinen fra Black & Decker er konstruert for å klippe gress. Verktøyet er beregnet bare som konsumentverktøy.

## Sikkerhetsinstruksjoner

**Advarsel!** Når du bruker batteridrevne maskiner, må du alltid ta grunnleggende sikkerhetsforholdsregler, blant annet dem som er beskrevet nedenfor, for å redusere risikoen for brann, elektrisk støt, personskade og materiell skade.

**Advarsel!** Når du bruker maskinen, må du følge sikkerhetsreglene. Les disse instruksjonene før du bruker maskinen, for å ivareta sikkerheten for deg selv og personer i nærheten. Ta vare på instruksjonene for senere bruk.

- ◆ Les hele denne håndboken nøye før du bruker produktet.
- ◆ Beregnet bruk er beskrevet i denne håndboken. Hvis du bruker annet tilbehør, kobler til annet utstyr eller bruker dette apparatet til andre oppgaver enn det som er anbefalt i denne håndboken, kan det føre til fare for personskade.
- ◆ Oppbevar denne håndboken for fremtidig bruk.

## Bruke produktet

Vær alltid forsiktig når du bruker produktet.

- ◆ Det er ikke meningen at dette produktet skal brukes av unge eller svakelige personer uten tilsyn.
- ◆ Apparatet skal ikke brukes som leketøy.
- ◆ Pass på at barn og dyr ikke kommer i nærheten av arbeidsområdet, og at de ikke berører produktet eller strømledningen.
- ◆ Pass ekstra godt på når produktet brukes i nærheten av barn.
- ◆ Brukes bare i tørre omgivelser. Ikke la produktet bli vått.
- ◆ Ikke senk produktet ned i vann.
- ◆ Ikke åpne apparatet. Det er ingen deler inni som brukere skal behandle.
- ◆ Ikke bruk apparatet i eksplosjonsfarlige omgivelser, som for eksempel der det befinner seg brennbare væsker, gass eller støv.
- ◆ Dra aldri i kablet når du skal ta støpselet ut av stikkontakten. Dermed reduserer du risikoen for skade på støpsel og kabel.

## Etter bruk

- ◆ Når apparatet ikke er i bruk, skal det oppbevares på et tørt og godt ventilert sted utilgjengelig for barn.
- ◆ Barn skal ikke ha tilgang til produkter som oppbevares.
- ◆ Når produktet oppbevares eller transporteres i et kjøretøy, bør det plasseres i bagasjerommet eller festes, slik at det ikke påvirkes av raske farts- eller retningsendringer.

## Kontroll og reparasjon

- ◆ Kontroller at apparatet ikke er skadet eller har defekte deler før du bruker det. Kontroller om noen av delene har sprekker, om bryterne er skadet, eller om det er andre forhold som kan påvirke bruken.
- ◆ Ikke bruk apparatet hvis noen del er skadet eller defekt.
- ◆ Overlat reparasjon eller utskifting av skadde eller defekte deler til et autorisert serviceverksted.
- ◆ Forsøk aldri å fjerne eller skifte ut andre deler enn dem som er oppgitt i denne håndboken.

## Ytterligere sikkerhetsinstruksjoner for gressklippere

- ◆ Hold godt fast i håndtaket med begge hender når du bruker gressklipperen.
- ◆ Hvis det på noe tidspunkt er nødvendig å vippe gressklipperen til én side, sørg for at begge hender forblir i denne betjeningsposisjonen mens gressklipperen vippes. Hold begge hender i betjeningsposisjonen helt til gressklipperen er satt riktig tilbake på bakken igjen.
- ◆ Du må aldri bruke hodetelefoner for radio eller musikk når du bruker gressklipperen.
- ◆ Forsøk aldri å justere høyden på hjulene mens motoren går, eller mens sikkerhetsnøkkelen er i bryterhuset.
- ◆ Hvis gressklipperen kjører seg fast, slipper du sikkerhetshåndtaket for å slå gressklipperen av, venter til bladet har stoppet og tar ut sikkerhetsnøkkelen før du prøver å fjerne tilstoppingen av utmatingen eller fjerne noe under dekselet.
- ◆ Hold hendene og føttene borte fra skjærområdet.
- ◆ Hold bladene skarpe. Bruk alltid vernehansker når du håndterer bladet på gressklipperen.
- ◆ Hvis du bruker gressposen (5), må du jevnlig kontrollere om den er slitt eller skadet. Hvis den er svært slitt, må du bytte den ut for din egen sikkerhets skyld.
- ◆ Vær svært varsom når du kjører gressklipperen bakover eller trekker den mot deg.
- ◆ Ikke ha hendene eller føttene i nærheten av eller under gressklipperen. Hold deg alltid unna utmattingsåpningen.
- ◆ Rydd området der gressklipperen skal brukes, for gjenstander som steiner, pinner, tråder, leker, bein osv. som bladet kan kaste. Gjenstander som treffes av bladet, kan påføre personer alvorlige skader. Hold deg bak håndtaket når motoren er i gang.
- ◆ Ikke bruk gressklipperen barbert eller når du har på sandaler. Bruk alltid solid fotteøy.
- ◆ Ikke trekk gressklipperen bakover med mindre det er absolutt nødvendig. Se alltid nedover og bak før og mens du beveger deg bakover.

- ◆ Du må aldri rette materiale som kastes ut, mot noen. Unngå at materiale blir kastet ut mot en vegg eller hindring. Materiale kan bli kastet tilbake mot brukeren. Slipp sikkerhetskådetaket for å slå gressklipperen av og stoppe bladet når du krysser overflater med gress.
- ◆ Ikke bruk gressklipperen med mindre hele gressoppsamleren, utmatingsvern, bakre vern og annet sikkerhetsutstyr er på plass og fungerer. Kontroller alle verneinnretninger og alt sikkerhetsutstyr regelmessig for å sikre at dette er i god stand, fungerer riktig og utfører den funksjonen det er beregnet for. Hvis et vern eller annet sikkerhetsutstyr er skadet, bytter du det ut før videre bruk.
- ◆ Du må aldri la en gressklipper være uten tilsyn når den går. Hvis gressklipperen skal være uten tilsyn, må du alltid ta ut sikkerhetsnøkkelen.
- ◆ Slipp alltid sikkerhetskådetaket for å stoppe motoren, vent til bladet stopper helt, og ta ut sikkerhetsnøkkelen før du rengjør gressklipperen, tar av gressoppsamleren eller fjerner tilstopping ved utmatingsvernet, når du forlater gressklipperen, eller før du utfører noen justeringer, reparasjoner eller kontroller.
- ◆ Bruk gressklipperen bare i dagslys eller godt kunstig lys når gjenstander i banen til bladet er godt synlige fra betjeningsområdet for gressklipperen.
- ◆ Ikke bruk gressklipperen når du er påvirket av alkohol, narkotika eller legemidler, eller når du er tretthet eller syk. Vær alltid oppmerksom, pass på hva du gjør, og bruk sunn fornuft.
- ◆ Unngå farlige omgivelser. Du må aldri bruke gressklipperen i fuktig eller vått gress, og aldri når det regner. Pass på at du alltid har godt fotfeste. Gå, aldri løp.
- ◆ Hvis gressklipperen begynner å vibrere unormalt, slipper du sikkerhetskådetaket, venter til bladet stopper og tar ut sikkerhetsnøkkelen. Undersøk deretter straks årsaken. Unormal vibrasjon er vanligvis en advarsel om at noe er galt. Du kan se etter råd i problemløsningsveiledningen i slike tilfeller.
- ◆ Bruk alltid tilfredsstillende øye- og åndedrettsbeskyttelse når du bruker gressklipperen.
- ◆ Det kan være farlig å bruke tilbehør eller tilkoblet utstyr som ikke er anbefalt for bruk sammen med denne gressklipperen. Bruk bare tilbehør som er godkjent av Black & Decker.
- ◆ Du må aldri strekke deg for langt når du bruker gressklipperen. Pass på at du alltid har sikkert fotfeste og god balanse mens du bruker gressklipperen.
- ◆ Slå gresset på langs av skråninger, aldri opp og ned. Vær svært forsiktig når du endrer retning i skråninger.
- ◆ Se opp for hull, spor, humper, steiner eller andre skjulte ting. Ujevnt terreng kan føre til uhell der man sklir og faller. Høyt gress kan skjule hindringer.

- ◆ Ikke bruk gressklipperen på vått gress eller i svært bratte skråninger. Dårlig fotfeste kan føre til uhell der man sklir og faller.
- ◆ Ikke bruk gressklipperen i nærheten av skrenter, grøfter eller fyllinger. Du kan miste fotfestet eller balansen.

### Andre personers sikkerhet

- ◆ Det er ikke meningen at dette produktet skal brukes av personer (inkludert barn) med reduserte fysiske, sansemessige eller mentale evner, eller som mangler erfaring og kunnskap, med mindre de har fått oppfølging eller instruksjon når det gjelder bruken av produktet, fra en person som er ansvarlig for deres sikkerhet.
- ◆ Barn må ha tilsyn så man sikrer at de ikke leker med verktøyet.

### Andre risikoeer

Ved bruk av produktet kan det oppstå ytterligere risikoeer som kanskje ikke er inkludert i sikkerhetsadvarslene som følger med. Disse risikoeene kan bli forårsaket av feil bruk, langvarig bruk osv.

Selv om de relevante sikkerhetsbestemmelsene blir fulgt, og sikkerhetstiltakene blir gjennomført, kan visse gjenværende risikoeer ikke unngås. Disse omfatter:

- ◆ **Personskader som forårsakes av berøring av en roterende/bevegelig del.**
- ◆ **Personskader som forårsakes av at en del, et blad eller tilbehør endres.**
- ◆ **Personskader som forårsakes av langvarig bruk av et verktøy. Når du bruker et verktøy i lange perioder, må du sørge for å ta regelmessige pauser.**
- ◆ **Svekket hørsel.**
- ◆ **Helsefarer som forårsakes av innånding av støv som dannes når du bruker verktøyet (eksempel: arbeid med tre, spesielt eik, bøk og MDF).**

### Advarselssymboler

Maskinen er merket med følgende advarselssymboler:



**Advarsel!** Les håndboken før bruk.



Ikke utsett maskinen for regn eller høy fuktighet.



Se opp for skarpe blader.

Ta alltid ut sikkerhetsnøkkelen før du rengjør gressklipperen, tar av gressposen eller fjerner tilstopping ved utmatingsvernet, når du forlater gressklipperen, eller før du utfører justeringer, reparasjoner eller undersøkelser.



Se opp for gjenstander som kastes. Hold personer i nærheten borte fra klippeområdet.



Bruk øyebeskyttelse



Bladene vil fortsette å rotere etter at maskinen er slått av.



Garantert lydeffekt i henhold til direktiv 2000/14/EF.

## Ytterligere sikkerhetsinstruksjoner for batterier og ladere

### Batterier

- ◆ Forsøk ikke å åpne uansett hvilket formål du måtte ha.
- ◆ Ikke utsett batteriet for vann.
- ◆ Ikke utsett batteriet for varme.
- ◆ Oppbevar ikke på steder der temperaturen kan overskride 40 °C.
- ◆ Lad bare ved omgivelsestemperaturer mellom 10 °C og 40 °C.
- ◆ Bruk bare ladere av typen som følger med maskinen/apparatet. Hvis du bruker feil lader, kan dette føre til et elektrisk støt eller at batteriet overopphetes.

- ◆ Følg instruksjonene i avsnittet "Miljø" når du skal kaste batterier.
- ◆ Ikke skad eller deformer batteripakken ved punktering eller støt, da dette kan føre til risiko for personskade og brann.
- ◆ Ikke lad skadede batterier.
- ◆ Under ekstreme forhold kan det forekomme batterilekkasje. Hvis du oppdager væske på batteriene, må du tørke den forsiktig av med en klut. Unngå kontakt med huden.
- ◆ Hvis væsken kommer i kontakt med huden eller øynene, følger du instruksjonene nedenfor.

**Advarsel!** Batterivæsken kan føre til personskade eller skade på eiendom. Ved hudkontakt skyller du umiddelbart med vann. Hvis huden blir rød eller irritert eller smerter inntreffer, søk øyeblikkelig medisinsk hjelp. Hvis væsken kommer i kontakt med øynene, skyller du umiddelbart med rent vann og søker øyeblikkelig medisinsk hjelp.

Ikke forsøk å lade opp skadede batterier.



### Ladere

Ladere er konstruert for en bestemt spenning.

Kontroller alltid at nettspenningen er i overensstemmelse med spenningen på typeskiltet.

**Advarsel!** Prøv aldri å skifte ut laderen med et vanlig nettstøpsel.

- ◆ Bruk bare Black & Decker-ladere til å lade batteriet i apparatet/verktøyet som laderen kom sammen med. Andre batterier kan sprekke og føre til personskade og materiell skade.
- ◆ Prøv aldri å lade ikke-oppladbare batterier.
- ◆ Hvis strømledningen blir skadet, må den skiftes av produsenten eller et autorisert Black & Decker-service-senter for å unngå fare.
- ◆ Ikke utsett laderen for vann.
- ◆ Ikke åpne laderen.
- ◆ Ikke stikk gjenstander eller fingre ned i laderen.
- ◆ Apparatet/verktøyet/batteriet må plasseres på et sted med god lufting når det lades.



Ladere er bare beregnet for bruk innendørs.





Les denne håndboken før bruk.

## Elektrisk sikkerhet



Denne laderen er dobbeltisolert. Jording er derfor ikke nødvendig. Kontroller alltid at nettspenningen er i overensstemmelse med spenningen på typeskiltet. Prøv aldri å skifte ut laderen med et vanlig nettstøpsel.

- ◆ Hvis strømledningen blir skadet, må den skiftes av produsenten eller et autorisert Black & Decker-service-senter så man unngår fare.

## Funksjoner

Dette produktet har noen av eller alle funksjonene nedenfor:

1. Sikkerhetsnøkkel
2. Sikkerhåndtak
3. Fremdriftssikkerhåndtak
4. Hastighetskontroll
5. Håndtak
6. Fjærbelastet bakre dør
7. Håndtaksjusteringsknott
8. Håndtaksfesteskruer
9. Batterilås
10. Batterihåndtak
11. Uttakbart batteri
12. Bioklippknott – behovsbasert
13. Klippehøydehåndtak
14. Klippehøydeindikator
15. Gresspose

## Montering

**Advarsel!** Før monteringen må du passe på at verktøyet er slått av, og at støpslet er trukket ut.

### Pakke ut (figur A og B)

**Advarsel!** Klemfare – hold fingre unna området mellom håndtaket og platene slik at du unngår å bli klemt.

- ◆ Kutt forsiktig ned langs sidene på esken i motsatt ende i forhold til håndtaket, og brett ned klaffen som anvist.

- ◆ Etter at siden på esken er åpnet, tar du ut pappbeskyttelsen, laderen, tilbehørsposen og gressposen og skyver gressklipperen ut av den åpne esken.

**Advarsel!** Skarpt, bevegelig blad. Hold kroppsdeler borte fra bladet.

### Montering av håndtak (figur C)

Verktøy som trengs til monteringen, følger ikke med: Skiftenøkkel eller fastnøkkel på 13 mm.

- ◆ Plasser håndtaket slik at hullene (5) i håndtaket er overfor hullene i platen (16). Hurtigjusteringsknottene (7) til håndtaket er overfor de øvre hullene (16) i sideplaten.
- ◆ Sett festeskruene (8) til håndtaket gjennom hullene (5) i håndtaket, og skru dem inn i platen (16). Gjør det samme på den andre siden før du strammer.
- ◆ Stram håndtaksfesteskruene (8) godt med en skiftenøkkel eller fastnøkkel på 13 mm.
- ◆ Se under justering av håndtaket for å stille inn ønsket høyde. Ikke skyv eller bruk gressklipperen med mindre håndtaket er riktig og godt festet til gressklipperen.

**Advarsel!** Klemfare – hold fingre unna området mellom håndtaket (5) og platene (16) slik at du unngår å bli klemt.

### Justering av håndtak (figur D)

Gressklipperen har en justeringsfunksjon for endring av høyden på håndtaket. Hvis du vil justere posisjonen på håndtaket til den høyden du ønsker, benytter du følgende prosedyre:

- ◆ Hold håndtaket (5) med den ene hånden, og trekk ut og drei den ene håndtaksjusteringsknotten (7) en kvart omdreining for å løsne pinnen fra hullet i metallplaten.
- ◆ Gjenta på den andre siden. Nå kan håndtaket (5) beveges fritt til en annen høydeposisjon.
- ◆ Flytt håndtaket til den ønskede høydeposisjonen.
- ◆ Trekk ut og drei den ene håndtaksjusteringsknotten (7) en kvart omdreining for å sette pinnen i hullet i metallplaten igjen, og gjenta på den andre siden.

### Montere gressposen (figur E og F)

- ◆ Skyv gressposen (15) inn på rammen (17).
- ◆ Fest gressposens øvre klemmer på rammen.
- ◆ Fest de to sideklemmene på rammen, etterfulgt av den nederste klemmen.

### Justering av hjulhøyde (fig. G og H)

Gressklipperen har Black & Deckers justeringssystem One-Touch Wheel-Height (justerer hjulhøyden med ett grep). Dette systemet justerer alle fire hjulene samtidig.

Gressklipperen har sju justeringsposisjoner for blad høyde (38 mm til 89 mm). Se skala og peker på fronten av gressklipperen. Pekeren indikerer høydeinnstillingen gressklipperen har når du klipper plenen. Du kan bruke denne innstillingen som referanse neste gang du ønsker å klippe plenen i samme høyde.

- ◆ Slipp sikkerhetshåndtaket (3) for å slå gressklipperen av, vent til bladet stopper, og ta ut sikkerhetsnøkkelen (1).
- ◆ Når du skal heve eller senke klippehøyden, plasserer du håndflaten over håndstøtten (18), trykker fingergrepet (19) oppover og holder.
- ◆ Hev eller senk til ønsket klippehøyde mens du holder fingergrepet (19). Høydeindikatoren viser gjeldende innstilling (figur H).
- ◆ Når gressklipperen har den ønskede klippehøyden, holder du den på plass med venstre hånd nede på høyre håndtak og slipper fingergrepet (19) for å låse høydejusteringen.

**Merknad:** Du kan trykke ned på håndstøtten etter at du har sluppet fingergrepet, for å forsikre deg om at gressklipperen er sikkert låst fast i én høydeposisjonene.

## Ta ut og sette inn batteriet (figur I og K)

Du kan ta batteripakken (11) ut av gressklipperen for å oppbevare/lade den, eller den kan lades i gressklipperen.

### Før du tar ut batteriet:

- ◆ Plasser gressklipperen på et jevnt underlag.
- ◆ Slipp sikkerhetshåndtaket (3) for å slå gressklipperen av, vent til bladet stopper, og ta ut sikkerhetsnøkkelen (1).

### Du tar ut batteriet slik:

- ◆ Løft batterihåndtaket (10) for å løsne batterilåsen (9), og trekk den tilbake bort fra batteripakken. Løft ut batteripakken.

### Sette inn batteriet

Før du setter inn batteripakken, må du sørge for at det ikke er noe avfall i gressklipperen, og at laderkontakten (20) er koblet fra batteripakken (11).

- ◆ Skyv batteripakken inn i gressklipperen. (Batteriet passer bare på én måte).
- ◆ Fest batteriet i gressklipperen ved å plassere batterilåsen (9) over kanten på batteriet (11) og deretter trykke ned batterihåndtaket (10) til det klikker på plass.

## Bruk

**Advarsel!** La maskinen arbeide i sitt eget tempo. Ikke overbelast den.

## Lade batteriet (figur J–L)

**Merknad:** Lad opp batteriet før du bruker det første gang.

Du kan enten ta batteriet ut av gressklipperen for å lade det, eller det kan lades mens det er på plass.

- ◆ Slipp sikkerhetshåndtaket (3) for å slå gressklipperen av, vent til bladet stopper, og ta ut sikkerhetsnøkkelen (1).
- ◆ Plasser den grønne (+) og hvite (-) kontakten riktig, og sett laderstøpselet (20) inn i kontakten (22) på gressklipperen, eller ta ut batteriet og sett laderstøpselet (20) inn i kontakten (21) på batteriet.
- ◆ Laderstøpselet (20) kan bare settes inn i kontakten på gressklipperen på én måte.
- ◆ Sett laderens støpsel for 240 V inn i en stikkontakt (figur L).
- ◆ Det røde lyset (26) på laderen (24) tennes for å indikere at batteriet lader. Hvis det røde lyset ikke tennes, må du kontrollere om laderkontakten er satt riktig i.
- ◆ Når batteriet er fulladet, slås det røde lyset (26) av, og det grønne lyset tennes.

Batteriet vil være fulladet etter ca. 16 timers ladning.

Det anbefales å la batteriet lades konstant mellom hver bruk slik at gressklipperen yter optimalt hver gang du bruker den.

Laderen som leveres med dette produktet, skal plugges inn slik at den er riktig orientert med en vertikal monteringsposisjon eller på gulvet.

## Indikator for ladningstilstand (K)

Batteriet har en ladningsindikator. Denne kan brukes til å vise batteriets aktuelle ladningsnivå under bruk.

- ◆ Trykk på ladningsindikatorknappen (23).

## Sikkerhetsnøkkel

Ta ut sikkerhetsnøkkelen:

- ◆ Når maskinen er uten tilsyn.
- ◆ Før du fjerner en tilstopping.
- ◆ Før du kontrollerer, rengjør eller arbeider på maskinen.
- ◆ Etter at du har truffet en fremmed gjenstand.
- ◆ Når maskinen begynner å vibrere unormalt.

## Slå på og av

**Advarsel!** Skarpt, bevegelig blad. Du må aldri forsøke å overstyre funksjonen til denne bryteren og sikkerhetsnøkkel-systemet. Dette kan føre til en alvorlig personskade.

**Slå på (figur M)**

- ◆ Sett sikkerhetsnøkkelen (1) helt inn i bryterhuset.
- ◆ Trykk på knappen (27) på siden av bryterhuset.
- ◆ Trekk bladsikkerhetshåndtaket (3) mot håndtaket (5).

**Slå av (figur M)**

- ◆ Når du skal slå gressklipperen av, slipper du bladsikkerhetshåndtaket (3).

Når sikkerhetshåndtaket (3) har vendt tilbake til den opprinnelige posisjonen, vil dette aktivere den automatiske bremsemekanismen. Motoren bremses elektrisk, og bladet på gressklipperen slutter å rotere innen 3 sekunder eller mindre.

**Fremdrift med variabel hastighet (figur M)**

Gressklipperen er utstyrt med fremdrift med variabel hastighet. Fremdriften er uavhengig av på/av-bryteren for bladet. Den kan brukes når bladet snurrer eller ikke. Når du for eksempel er ferdig med å klippe plen, kan du bruke fremdriften til å kjøre gressklipperen tilbake til oppbevaringsstedet uten at bladmotoren er på.

**Bruke fremdrift uten at bladet snurrer:**

- ◆ Sett sikkerhetsnøkkelen (1) helt inn i bryterhuset.
- ◆ Trykk fremdriftssikkerhetshåndtaket (2) mot håndtaket (5).
- ◆ Når du skal slå fremdriften av, slipper du fremdriftssikkerhetshåndtaket.

**Merknad** Fremdriften har variabel hastighet. Du kan velge hastighet ved å bevege valghåndtaket (4). Når du beveger valghåndtaket fremover, øker hastigheten. Når du beveger valghåndtaket bakover, reduseres hastigheten.

**Bruke fremdrift mens bladet snurrer:**

- ◆ Sett sikkerhetsnøkkelen (1) helt inn i bryterhuset.
- ◆ Trykk på knappen (27) på siden av bryterhuset, og trekk deretter bladsikkerhetshåndtaket (3) mot håndtaket (5).
- ◆ Hold bladsikkerhetshåndtaket på plass mot håndtaket med høyre hånd. Trykk deretter fremdriftssikkerhetshåndtaket (2) mot håndtaket (5) med venstre hånd.
- ◆ Du kan holde begge sikkerhetshåndtakene samtidig mot håndtaket med venstre hånd.

**Merknad** Når du slår av fremdriften, for eksempel ved slutten av en stripe, kan den bli låst midlertidig hvis du trekker gressklipperen bakover. Skyv bare forsiktig fremover, og beveg deretter gressklipperen etter behov.

**Merknad** Under klipping kan det av og til være enklere å manøvrere rundt en gjenstand, for eksempel et tre eller en plante, med fremdriften av. Gressklipperen kan brukes enkelt med fremdriften av.

**Bioklipp – behovsbasert (figur N og O)**

Gressklipperen er utstyrt med en behovsbasert funksjon som gjør det mulig å veksle mellom bioklipp og oppsamling eller utmating ved å vri på en knott.

- ◆ Slipp sikkerhetshåndtaket (3) for å slå gressklipperen av, vent til bladet stopper, og ta ut sikkerhetsnøkkelen (1).

**Utmatingsmodus:**

- ◆ Ta av gressoppsamleren.
- ◆ Sørg for at døren for utmating bak hviler godt mot dekslet.
- ◆ Trykk inn og dreii på valgknotten slik at den er på linje med ordet "DISCHARGE" (utmating) (figur N).

**Merknad** Gressklipperen er nå i modus for utmating bak. Gresset som er klippet, blir lagt på plen under åpningen med dør som lukkes.

**Oppsamlingsmodus:**

- ◆ Sett på gressoppsamleren.
- ◆ Sørg for at døren for utmating bak hviler godt mot toppen av gressoppsamleren.
- ◆ Trykk inn og dreii på valgknotten slik at den er på linje med ordet "BAG" (pose) (se figur N).

**Merknad** Gressklipperen er nå i modus for oppsamling. Hvis du vil endre til modus for utmating bak, fjerner du bare gressoppsamleren.

**Bioklippmodus:**

- ◆ Hvis du vil endre til bioklippmodus, trykker du inn og dreier på valgknotten slik at den er på linje med ordet "MULCH" (strø, bioklipp) (se figur O). Gressklipperen er nå i bioklippmodus.

**Merknad** Hvis det er vanskelig å dreie på valgknotten, kan det være nødvendig å rengjøre dekselkanalen.

- ◆ Slipp bladsikkerhetshåndtaket for å slå gressklipperen av, og vent til bladet stopper helt. Ta deretter ut sikkerhetsnøkkelen og batteripakken.
- ◆ Hold døren for utmating bak åpen, og fjern eventuelt avfall som kan finnes i dekselkanalen. Rengjør også bunnen av dekselet etter behov.

## Montere gressposen (figur P og O)

- ◆ Slipp bladsikkerhetshåndtaket (3) for å slå gressklipperen av, vent til bladet stopper, og ta ut sikkerhetsnøkkelen (1).
- ◆ Åpne den fjærbelastede døren for utmating bak (6) til vertikal posisjon, og hold den i den åpne posisjonen.
- ◆ Bruk håndtaket (29) på gressposen (15), og monter gressposen mellom håndtakene på gressklipperen.
- ◆ Plasser opphengskrokene til gressposen på gressklipperen (figur Q).
- ◆ Slipp døren for utmating bak (6).

## Råd for optimal bruk

Om våren bør plener først klippes når gresset er rundt 63 mm til 76 mm høyt. Hvis du klipper for tidlig i sesongen, begrenser du rotsystemene til gresset som fornyer seg hver vår. Nytt gress bør klippes når det er rundt 63 mm høyt.

Ikke fjern for mye av gressoverflaten på én gang, og aldri mer enn 1/3 av gresshøyden i løpet av hver klipp. Hvis du klipper for lavt, får sensitive gresstrå "sjokk", og dette fører til et overfladisk rotsystem som gjør det vanskeligere for plenen å ta opp vann fra jordbunnen.

Klipp plenen når den er tørr, slik at du unngår klumper med vått gress. Hvis du kan velge, så er det beste tidspunktet for å klippe gress på ettermiddagen. Dette er ikke bare fordi gresset er tørt, men fordi det sensitive, nyklippede området med gress ikke vil bli utsatt for intenst sollys.

Hold klippebladet skarpt slik at du får en fin og ren klipp. Dette forbedrer gressklipperens ytelse og plenens utseende. Et sløvt blad knuser og skader gressstoppene. Dette skader den friske veksten til plenen og øker mottakeligheten for gressykdommer. Hvis gressstoppene er skadet, forårsaker dette en brunaktig farge som gjør at plenen ikke ser frisk ut. Et sløvt blad kan også dra opp unge frøplanter i gresset.

Forsøk å klippe plenen med en jevn klippehøyde. Selv om du enkelte ganger bør variere klippehøyden ut i fra de ulike sesongene, så vil en jevn klippehøyde gi en friskere og penere plen med generelt mindre ugress. Klipp oftere i perioder med rask vekst. Hvis du klipper ofte, sørger dette for at den lave og mindre attraktive delen av gresset ikke vises.

Hvis plenen har blitt for lang, for eksempel i en ferie, klipp med en klippehøyde som er én eller to posisjoner høyere enn normalt. Hvis du klipper en gang til med den vanlige klippehøyden noen dager senere, vil plenen være tilbake i normalt gjenge. Det er ingen sak å endre klippehøyde med Black & Deckers innstilling "One Touch Wheel Height" som justerer alle fire hjulene samtidig.

Om våren eller høsten, eller etter et avbrudd i klippeplanen, vil gresset være lengre og tykkere. Hvis motoren stadig senker farten under klipping, forsøk å stille inn hjulene til en høyere klippehøyde. Overdreven belastning av motoren kan føre til en ujevn klipp og at batteriet utlades raskere, og det kan føre til overbelastning av motoren som gjør at den stopper.

Det er tre gode måter å forbedre plenens utseende på: Varier klipperetningen regelmessig, klipp horisontalt på bakkesider (dette er også en god sikkerhetspraksis), og ikke glem å overlape klippefeltet ved hver klipp.

Klipp alltid gresset slik at avklipp kastes tilbake på plenen. Dette gir plenen et friskt utseende fordi du unngår hauger med avklipp som etter hvert vil bli brune og se stygge for ut. Denne metoden bevarer også batteristyrken og sørger for at du får det meste ut av din Black & Decker batteridrevne gressklipper.

I vår- og høstsesongene når gresset er lengre og tykkere, kan du bruke gressklipperen uten at batteriet er fulladet (m.a.o. når det grønne indikasjonsløset er tent). Dette lar deg utføre korte klippeoppgaver, men vi anbefaler imidlertid ikke at du gjør dette ofte. Batteriet og gressklipperen yter mye bedre når batteriet er fulladet.

## Klippetips

**Merknad** Sjekk alltid området der gressklipperen skal brukes, og fjern alle steiner, pinner, tråder, bein og annet avfall som det roterende bladet kan kaste ut.

- ◆ Slå gresset på langs i skråninger, aldri opp og ned. Vær svært forsiktig når du endrer retning i skråninger. Ikke klipp gresset i svært bratte skråninger. Pass på at du alltid opprettholder et godt fotfeste.
- ◆ Slipp sikkerhetshåndtaket (3) for å slå gressklipperen av når du krysser områder med grus, ettersom steiner kan bli kastet ut av det roterende bladet.
- ◆ Still gressklipperen inn på den høyeste klippehøyden når du beveger deg på ujevnt underlag eller over høyt ugress. Hvis du slår for store mengder gress på én gang, kan motoren bli overbelastet og gressklipperen vil stoppe. Se i problemløsningsveiledningen.

Hvis du bruker gressposen (15) i løpet av høysesongen for vekst, kan gresset ha en tendens til å samle seg i utmating-såpningen.

- ◆ Slipp sikkerhetshåndtaket (3) for å slå gressklipperen av, og ta ut sikkerhetsnøkkelen (1).
- ◆ Ta ut gressposen (15), og rist gresset bakover i den.
- ◆ Fjern gress eller avfall som kan ha samlet seg rundt utmating-såpningen.
- ◆ Sett på plass gressposen (15) igjen.

Hvis gressklipperen begynner å vibrere unormalt:

- ◆ Slipp sikkerhetshåndtaket (3) straks for å slå gressklipperen av, og ta ut sikkerhetsnøkkelen (1) og batteripakken (11).
- ◆ Undersøk årsaken til vibrasjonen. Vibrasjon er en advarsel. Ikke bruk gressklipperen før det er blitt utført en servicekontroll. Se i problemløsningsveiledningen i håndboken.

**Merknad** Slipp alltid sikkerhetshåndtaket for å slå gressklipperen av, og ta ut sikkerhetsnøkkelen når den er uten tilsyn, selv om det bare er for en kort periode.

De følgende forslagene vil hjelpe deg med å oppnå optimal brukstid av den batteridrevne gressklipperen:

- ◆ Senk farten i områder hvor gresset er spesielt langt eller tykt.
- ◆ Når du bruker bioklipp, bør du unngå å klippe mer av lengden enn 38 mm på noe tidspunkt.
- ◆ Unngå å slå gresset når det er vått.
- ◆ Klipp plenen regelmessig, og særlig i perioder med mye vekst.

**Merknad** Det anbefales at du alltid lader gressklipperen etter bruk. Hyppig ladning skader ikke batteriet og sørger for at det er fulladet.

## Tips for bioklipp

Ved bioklipp er gressklipperen konstruert for å finhakke det avklippede gresset, og dette blir fordelt tilbake på plenen. Under normale forhold vil det finhakkede gresset brytes raskt ned for å gi næringsstoffer til plenen.

Anbefalinger for en optimal ytelse ved bioklipp:

- ◆ Unngå å slå gresset når det er vått. Vått gress kan danne klumper som forstyrrer bioklippfunksjonen og reduserer brukstiden. Det beste tidspunktet for å klippe gress er på ettermiddagen når gresset er tørt, og det nyklippede området vil ikke bli utsatt for direkte sollys.
- ◆ Du oppnår den beste bioklippyturen ved stille inn klippeshøyden slik at den tar vekk omtrent en tredjedel av gresslengden, og ideelt ikke mer enn 38 mm på noe tidspunkt. Hvis plenen er overgrodd, kan det være nødvendig å heve klippeshøyden for å redusere anstrengelsen når du skyver, og for å hindre overbelastning av motoren.
- ◆ Ved ekstremt tungkjørt bioklipp, er det anbefalt at du først klipper med den høyeste innstillingen for klippeshøyde og deretter klipper med den endelige klippeshøyden eller klipper smalere og saktere.

Du oppnår best ytelse ved å holde gressklipperhuset rent for oppsamlet gress:

- ◆ Slipp sikkerhetshåndtaket (3) for å slå gressklipperen av, og vent til bladet stopper helt.
- ◆ Ta ut sikkerhetsnøkkelen (1) og batteripakken (11), og legg gressklipperen på siden.
- ◆ Bruk et butt skraperedskap til å fjerne oppsamlet gress fra bladområdet. Vær oppmerksom på de skarpe kantene på bladet. Rengjør oftere når du klipper tykt gress, og alltid etter hver bruk.

Enkelte typer gress eller gressforhold kan kreve at et område blir bioklippet en gang til slik at gresset blir helt spredt over plenen.

Hvis du klipper for andre gang, er det anbefalt å klippe vinkelrett (på tvers av) over det første klippemønsteret, men du må ikke endre klippemønsteret hvis dette innebærer å klippe i nedoverbakke.

- ◆ Du bør endre klippemønsteret fra uke til uke. Dette forhindrer at plenen blir mattelignende.

## Vedlikehold

Det nettdrevne/batteridrevne Black & Decker-apparatet/verktøyet er konstruert for å være i drift over lengre tid med et minimum av vedlikehold. Verktøyet/apparatet er avhengig av riktig stell og regelmessig rengjøring for å fungere som det skal til enhver tid.

Laderen krever ikke annet vedlikehold enn regelmessig rengjøring.

**Advarsel!** Før du utfører vedlikehold på nettdrevet/batteridrevet elektroverktøy:

- ◆ Slå av apparatet/verktøyet og trekk ut støpselet.
- ◆ Eller slå av apparatet/verktøyet og fjern batteriet fra dette hvis apparatet/verktøyet har separat batteripakke.
- ◆ Eller la batteriet gå helt tomt hvis det er innebygd, og slå deretter av.
- ◆ Fjern laderen fra stikkkontakten før du rengjør den. Laderen krever ikke annet vedlikehold enn regelmessig rengjøring.
- ◆ Rengjør ventilasjonsåpningene i verktøy/apparat og lader jevnlig med en myk børste eller tørr klut.
- ◆ Rengjør motorhuset regelmessig med en fuktig klut. Ikke bruk slipende eller løsemiddelbaserte rengjøringsmidler.
- ◆ Bruk et butt skraperedskap regelmessig for å fjerne gress og jord fra undersiden av vernet.

## Demontering og montering av bladet (figur R og S)

**Advarsel!** Du må ikke berøre bladet før sikkerhetsnøkkelen er tatt ut og bladet har stoppet helt.

- ◆ Slipp sikkerhetshåndtaket (3) for å slå gressklipperen av, vent til bladet stopper, og ta ut sikkerhetsnøkkelen (1).
- ◆ Skjær til et trestykke (med mål ca. 50 mm x 100 mm x 600 mm), som du kan bruke til å forhindre at bladet beveger seg mens du fjerner flensmutteren.
- ◆ Legg gressklipperen på siden.

**Advarsel!** Bruk hansker og tilfredsstillende øyeskyttelse.

Vær oppmerksom på de skarpe kantene på bladet.

- ◆ Plasser trestykket (32), og fjern flensmutteren (30) med en nøkkel på 19 mm (31) (figur R).
- ◆ Fjern den kvadratiske metallbladskiven (37), den kvadratiske bladisolasjonen (33) av plast og bladet (34) (figur S). Undersøk om bladisolasjonen (35) er skadet, og bytt den hvis det trengs.

Når du monterer bladet, må du sørge for at bladets gresside er vendt mot bakken når gressklipperen settes i normal, oppreist posisjon igjen.

- ◆ Etter at bladet er montert, plasserer du bladisolasjonen (35) på bladet slik at de forhøyde leppene på den ene siden passer med kantene på bladet (34).
- ◆ Monter bladskiven (36) slik at den sitter innenfor de forhøyde leppene på den andre siden av bladisolasjonen (35). Pass på at flatene i hullet på bladskiven (36) passer med flatene på akselen som sørger for den nødvendige rotasjonen av bladet sammen med bladisolasjonen.
- ◆ Plasser trestykket (32) slik at det hindrer bladet i å bli dreid (figur R).
- ◆ Sett på flensmutteren (30) med flensen mot den kvadratiske metallbladskiven (37), og stram til.

## Slipe bladet (figur T)

Hold bladet skarpt for å oppnå best mulig ytelse. Et sløvt blad klipper ikke gresset med et rent kutt og utfører ikke en ordentlig bioklipp.

**Advarsel!** Pass alltid på at sikkerhetsnøkkelen er tatt ut.

**Advarsel!** Bruk tilfredsstillende øyeskyttelse når du demonterer, sliper og monterer et blad.

I normale forhold er det vanligvis tilstrekkelig å slipe bladet to ganger i løpet av en klippesesong. Sand gjør at bladet blir raskt sløvt. Hvis plenen har sandete jordbunn, kan det være nødvendig å slipe oftere.

- ◆ Skift straks ut bøyde eller skadde blad.

## Når du sliper bladet:

- ◆ Sørg for at bladet holder seg balansert.
- ◆ Slip bladet i den opprinnelige klippevinkelen.
- ◆ Slip klippekantene på begge endene av bladet, og ta vekk like mye materiale på begge ender.

## Slipe et blad i en skrustikke (figur T)

- ◆ Slipp sikkerhetshåndtaket (3) for å slå gressklipperen av, og vent til bladet stopper helt.
- ◆ Ta ut sikkerhetsnøkkelen(1) og batteripakken (11), og legg gressklipperen på siden.
- ◆ Ta bladet (34) av gressklipperen – se instruksjonene for å ta av og sette på blad.

**Advarsel!** Bruk tilfredsstillende øyeskyttelse og hansker, og vær oppmerksom på de skarpe kantene på bladet.

- ◆ Sett bladet (34) i en skrustikke.
- ◆ Fil forsiktig ned bladets klippekanten med en fin fil eller et bryne, og oppretthold den opprinnelige klippekanten.
- ◆ Kontroller bladets balanse – se instruksjonene for balansering av bladet.
- ◆ Sett bladet (34) på gressklipperen og stram godt – se instruksjonene for å ta av og sette på blad.

## Balansere bladet (fig. U)

- ◆ Du kan kontrollere bladets balanse ved å sette en spiker eller en skrutrekker med rund klinge som er spent fast horisontalt i en skrustikke, gjennom midthullet på bladet. Hvis én av endene på bladet roterer nedover, fil den enden på bladet inntil bladet er balansert.

## Smøring

Det er ikke nødvendig med smøring. Du må ikke olje hjulene. De har hjullagre med overflater i plast som ikke trenger smøring.

## Rengjøring

- ◆ Slipp sikkerhetshåndtaket (3) for å slå gressklipperen av, og vent til bladet stopper helt.
- ◆ Ta ut sikkerhetsnøkkelen (1).
- ◆ Bare bruk mild såpe og en fuktig klut til å rengjøre gressklipperen.
- ◆ Bruk et butt redskap for å rengjøre gressklipperen for avklipp som kan ha samlet seg på undersiden.
- ◆ Etter flere gangers bruk, kontroller at alle utsatte fester er stramme.

## Forhindre rust

Kunstgjødsel og andre hagekjemikalier inneholder virkemidler som forårsaker at metaller ruste fortere. Hvis du klipper i områder hvor det er blitt brukt kunstgjødsel eller kjemikalier, bør gressklipperen straks rengjøres på følgende måte:

- ◆ Slipp sikkerhetshåndtaket (3) for å slå gressklipperen av, og vent til bladet stopper helt.
- ◆ Ta ut sikkerhetsnøkkelen (1).
- ◆ Tørk alle utsatte deler med en fuktig klut.

## Transport og oppbevaring

**Advarsel!** Det roterende bladet kan forårsake alvorlig personskade. Slipp sikkerhetshåndtaket for å slå gressklipperen av, og ta ut sikkerhetsnøkkelen før du løfter, transporterer eller oppbevarer gressklipperen. Oppbevar den på et tørt sted.

**Merknad:** Gressklipperen vil ikke være så tung å løfte hvis batteripakken fjernes først. Ikke bruk låsen som et løftepunkt på gressklipperen.

## Oppbevaring utenfor sesong

I varme klima er det anbefalt å la batteriet lades konstant slik at gressklipperen yter optimalt.

Batteriet kan lagres med frakoblet lader hvis de følgende vilkårene oppfylles.

- ◆ Batteriet er fulladet før oppbevaring.
- ◆ Gjennomsnittstemperaturen på oppbevaringsstedet er under 10 °C (50 °F).

## Miljø



Separat avfallshåndtering. Dette produktet må ikke kastes sammen med vanlig husholdningsavfall.

Hvis du synes Black & Decker-produktet bør skiftes ut, eller du ikke har bruk for det lenger, må du ikke kaste det sammen med husholdningsavfall. Sørg for separat avfallshåndtering for dette produktet.



Hvis brukte produkter og emballasje leveres atskilt, kan materialer resirkuleres og brukes på nytt. Gjenbruk av resirkulerte materialer bidrar til redusert miljøforurensning og reduserer behovet for råmaterialer.

Det kan være lokale bestemmelser for separat avfallshåndtering for elektriske produkter fra husstander på kommunale avfallsplasser eller hos forhandleren, når du kjøper et nytt produkt.

Black & Decker har en ordning for innsamling og resirkulering av Black & Decker-produkter som ikke skal brukes lenger. Du kan benytte denne tjenesten ved å levere produktet til et hvilket som helst autorisert serviceverksted.

Du kan finne ut hvor nærmeste autoriserte serviceverksted er, ved å kontakte din lokale Black & Decker-avdeling på adressen som er oppgitt i denne håndboken. En oversikt over autoriserte Black & Decker-serviceverksteder og alle opplysninger om ettersalgsservice og kontakter er også tilgjengelig på Internett: [www.2helpU.com](http://www.2helpU.com)

## Batterier



Tenk på miljøet når batteriene er tomme og du skal kaste dem.

- ◆ La batteriet gå helt tomt og fjern det så fra verktøyet.
- ◆ NiCd-, NiMH- og litiumjonebatterier kan gjenvinnes. Legg batteriet i egnet emballasje for å sikre at terminalene ikke kortslutter. Ta dem med til et autorisert serviceverksted eller til en lokal spesialavfallsstasjon.
- ◆ Ikke kortslutt batteriterminalene.
- ◆ Ikke kast batteriet på ild. Dette kan føre til personskade eller en eksplosjon.

## Tekniske data

		GRC4736SD H 1
Inngangsspenning	$V_{DC}$	36
Hastighet ubelastet	$\text{min}^{-1}$	3300
Vekt	kg	41
Batteri		A1236
Spenning	$V_{dc}$	36
Kapasitet	Ah	12
Type		Blybatteri
Lader		905521** type 1
Inngangsspenning	$V_{AC}$	220–240
Utgangsspenning	$V_{DC}$	36
Strøm	mA	800
Omtrentlig ladetid	h	16

Vektet vibrasjonsverdi for hånd/arm i samsvar med EN 786:  
 $= < 2.5 \text{ m/s}^2$ , usikkerhet (K) =  $1.5 \text{ m/s}^2$ .

$L_{PA}$  (lydtrykk) 79 dB(A)  
 usikkerhet (K) = 2 dB(A)

## EF-samsvarserklæring

MASKINDIREKTIV

DIREKTIV FOR UTENDØRSSTØY



GRC4736SD

Black & Decker erklærer at disse produktene som er beskrevet under "Tekniske data", er i samsvar med:  
 2006/42/EC, EN 60335-1, EN 60335-2-91

2000/14/EF, gressklipper,  $L < 50 \text{ cm}$ , vedlegg VI,  
 DEKRA Certification B.V., Utrechtseweg 310, ED Arnhem  
 Netherlands

ID-nummer for varslet organ: 0344

Nivå for akustisk effekt i henhold til 2000/14/EC (artikkel 12,  
 vedlegg III,  $L \leq 50 \text{ cm}$ ):

$L_{WA}$  (målt lydeffekt) 93 dB(A)  
 usikkerhet (K) = 2 dB(A)

$L_{WA}$  (garantert lydeffekt) 95 dB(A)  
 usikkerhet (K) = 2 dB(A)

Disse produktene er også i samsvar med direktivet 2004/108/  
 EF & 2011/65/EU.

Hvis du ønsker mer informasjon, kontakt Black & Decker på følgende adresse, eller se på baksiden av bruksanvisningen. Undertegnede er ansvarlig for utarbeidelsen av den tekniske dokumentasjonen og gir denne erklæringen på vegne av Black & Decker.

Kevin Hewitt  
 Vice-President Global Engineering  
 Black & Decker Europe, 210 Bath Road, Slough  
 Berkshire, SL1 3YD  
 Storbritannia  
 1.10.2009

## Garanti

Black & Decker er trygg på kvaliteten på sine produkter og tilbyr en enestående garanti. Denne garantierklæringen kommer i tillegg til dine lovbestemte rettigheter og er ikke i konflikt med disse. Garantien er gyldig i EU- og EFTA-medlemsstatene.

Hvis et Black & Decker-produkt går i stykker på grunn av material- og/eller fabrikkasjonsfeil eller har mangler i forhold til spesifikasjonene innen 24 måneder fra kjøpet, påtar Black & Decker seg å skifte ut defekte deler, reparere produkter som har vært utsatt for alminnelig slitasje, eller bytte ut slike produkter med minst mulig vanskelighet for kunden, med mindre:

- ◆ Produktet har vært brukt i yrkes-/næringsvirksomhet eller til utleie.
- ◆ Produktet har vært utsatt for feilaktig bruk eller dårlig vedlikehold.
- ◆ Produktet har blitt skadet av fremmede gjenstander eller stoffer eller ved et uhell.
- ◆ Andre enn autoriserte serviceverksteder eller Black & Deckers serviceteknikere har forsøkt å reparere produktet.

For å ta garantien i bruk må du vise kjøpskvittering til forhandleren eller til et autorisert serviceverksted. Du kan finne ut hvor nærmeste autoriserte serviceverksted er, ved å kontakte din lokale Black & Decker-avdeling på adressen som er oppgitt i denne håndboken. En oversikt over autoriserte Black & Decker-serviceverksteder og alle opplysninger om ettersalgsservice og kontakter er også tilgjengelig på Internett: [www.2helpU.com](http://www.2helpU.com)

Besøk vårt webområde [www.blackanddecker.no](http://www.blackanddecker.no) for å registrere ditt nye Black & Decker-produkt og for å holde deg oppdatert om nye produkter og spesialtilbud. Du finner mer informasjon om Black & Decker og produktutvalget vårt på [www.blackanddecker.no](http://www.blackanddecker.no).



## Anvendelsesområde

Din Black & Decker-plæneklipper er designet til græsslåning. Dette apparat er kun beregnet til privat brug.

## Sikkerhedsvejledning

**Advarsel!** Ved anvendelse af ledningsfri apparater skal grundlæggende sikkerhedsforholdsregler inkl. nedenstående altid følges, så risikoen for brand, elektrisk stød, personskade og materiel skade undgås.

**Advarsel!** Sikkerhedsreglerne skal følges ved brug af maskinen. Læs denne vejledning, før du bruger maskinen, af hensyn til din egen og omkringståendes sikkerhed. Gem vejledningen til senere brug.

- ◆ Læs hele vejledningen omhyggeligt, før du bruger apparatet.
- ◆ Den tilsigtede brug er beskrevet i denne vejledning. Bru- gen af ekstraudstyr eller tilbehør eller udførelse af andet arbejde med dette apparat end det, der anbefales i denne vejledning, kan udgøre en risiko for personskade.
- ◆ Opbevar denne vejledning til senere brug.

## Brug af apparatet

Vær altid opmærksom ved brugen af apparatet.

- ◆ Dette apparat må ikke bruges af børn eller svagelige personer uden opsyn.
- ◆ Apparatet må ikke bruges som legetøj.
- ◆ Lad ikke børn eller dyr komme i nærheden af arbejdsom- rådet eller røre ved apparatet eller netledningen.
- ◆ Vær meget opmærksom, når apparatet benyttes i nærh- eden af børn.
- ◆ Apparatet må kun bruges på tørre steder. Lad ikke ap- paratet blive vådt.
- ◆ Apparatet må ikke nedsænkes i vand.
- ◆ Kabinettet må ikke åbnes. Der er ingen dele inde i kabi- nettet, som kan serviceres af brugeren.
- ◆ Brug ikke apparatet i eksplosive omgivelser, f.eks. hvor der er brændbare væsker, gasser eller støv.
- ◆ For at reducere risikoen for beskadigelse af stik og ledning- er må du aldrig trække i ledningen for at tage stikket ud af en stikkontakt.

## Efter brug

- ◆ Opbevar apparatet på et tørt, godt ventileret sted uden for børns rækkevidde, når det ikke er i brug.
- ◆ Opbevar apparater utilgængeligt for børn.

- ◆ Når apparatet opbevares eller transporteres i et køretøj, skal det anbringes i bagagerummet eller fastgøres for at forhindre bevægelse som følge af pludselige ændringer i hastighed eller retning.

## Eftersyn og reparationer

- ◆ Kontroller apparatet for beskadigede eller defekte dele før brug. Se efter knækkede dele, skader på kontakter og eventuelle andre tilstande, der kan påvirke apparatets funktion.
- ◆ Brug ikke apparatet med beskadigede eller defekte dele.
- ◆ Få beskadigede eller defekte dele repareret eller udskiftet på et autoriseret værksted.
- ◆ Forsøg aldrig at fjerne eller udskifte dele ud over dem, der er beskrevet i denne vejledning.

## Yderligere sikkerhedsvejledning for plæneklippere

- ◆ Hold godt fast i håndtaget med begge hænder, når du bruger plæneklipperen.
- ◆ Hvis det bliver nødvendigt at vippe plæneklipperen, skal du have begge hænder i arbejdsstilling, mens den vippes. Hold begge hænder i arbejdsstilling, til apparatet står sikkert på jorden igen.
- ◆ Lyt aldrig til radio eller musik i hovedtelefoner, mens du bruger plæneklipperen.
- ◆ Juster aldrig hjulenes højde, mens motoren kører, eller mens sikkerhedsnøglen sidder i.
- ◆ Slip aktiveringsbøjlen for at slukke for plæneklipperen, hvis den står stille, vent til kniven er stoppet, og tag sikkerhedsnøglen ud, før blokeringer i udkastet eller under skjoldet fjernes.
- ◆ Hold hænder og fødder væk fra skæreamrådet.
- ◆ Hold kniven skarp. Brug altid beskyttelseshandsker ved håndtering af plæneklipperens kniv.
- ◆ Kontroller jævnligt græsposen (5) for slid og ødelæggelse. Udskift den af hensyn til din egen sikkerhed, hvis den er meget slidt.
- ◆ Vær yderst forsigtigt, når du bakker eller trækker plæneklipperen efter dig.
- ◆ Sæt ikke hænder eller fødder ind under plæneklipperen. Hold altid afstand til udkaståbningen.
- ◆ Ryd det område, hvor plæneklipperen skal bruges, for genstande såsom sten, pinde, ståltråd, legetøj, ben etc., som kniven kan kaste rundt med. Genstande, der rammes af kniven, kan forårsage alvorlig personskade. Bliv bag håndtaget, når motoren kører.
- ◆ Brug ikke plæneklipperen med bare fødder eller iført sandaler. Bær altid solidt fodtøj.
- ◆ Træk ikke plæneklipperen baglæns, medmindre det er strengt nødvendigt. Se altid ned og bag dig, når du trækker plæneklipperen baglæns.

- ◆ Ret aldrig det udkastede materiale mod andre. Undgå af kaste materiale ud mod en mur eller en forhindring. Materialet kan springe tilbage mod brugeren. Slip aktiveringsbøjlen for at slukke plæneklipperen og stoppe kniven, når grusbelagte flader passerer.
- ◆ Brug ikke plæneklipperen, før græsposen, udkastskærmen, den bageste skærm eller andre sikkerheds- og beskyttelsesanordninger er monteret og fungerer. Kontrol- lær jævnligt, at alle skærme og sikkerheds- og beskyttelsesanordninger er i god stand og fungerer korrekt, så de opfylder deres formål. Udskift beskadigede skærme og andre sikkerhedsanordninger, før maskinen tages i brug igen.
- ◆ Efterlad aldrig plæneklipperen uden opsyn, mens motoren kører. Tag altid sikkerhedsnøglen ud, hvis plæneklipperen efterlades uden opsyn.
- ◆ Slip altid aktiveringsbøjlen for at stoppe motoren, vent til kniven står helt stille, og tag sikkerhedsnøglen ud, før du rengør plæneklipperen, afmonterer græsposen, fjerner blokeringer under udkastskærmen, forlader plæneklipperen eller foretager justeringer, reparationer eller inspektioner.
- ◆ Brug kun plæneklipperen i dagslys eller ved godt kunstigt lys, hvor genstande i knivens bane er tydeligt synlige fra plæneklipperens betjeningsområde.
- ◆ Brug ikke maskinen, hvis du er træt, syg eller påvirket af alkohol eller medicin. Vær opmærksom, hold øje med, hvad du laver, og brug din fornuft.
- ◆ Undgå farlige omgivelser. Brug aldrig plæneklipperen i fugtigt eller vådt græs, eller når det regner. Sørg altid for godt fodfæste; gå, løb ikke.
- ◆ Slip aktiveringsbøjlen, vent til kniven stopper, og tag sikkerhedsnøglen ud, hvis plæneklipperen begynder at vibrere unormalt. Kontroller derefter omgående årsagen. Vibration er generelt en advarsel om et problem; se fejlsøgningsvejledningen for at få hjælp ved unormal vibration.
- ◆ Bær altid korrekt øjen- og åndedrætsbeskyttelse, når du bruger plæneklipperen.
- ◆ Brugen af ekstraudstyr eller tilbehør, som ikke anbefales til brug sammen med denne plæneklipper, kan være farligt. Brug kun ekstraudstyr, der er godkendt af Black & Decker.
- ◆ Stræk dig ikke for langt, mens du bruger plæneklipperen. Sørg altid for at have sikkert fodfæste og balance, når du bruger plæneklipperen.
- ◆ Arbejd på tværs af skråninger, aldrig op og ned. Vær især forsigtig, når du ændrer retning på skråninger.
- ◆ Hold øje med huller, hjulspor, sten og andre skjulte genstande. Du skan skride eller falde i ujævnt terræn og komme til skade. Højt græs kan dække over forhindringer.
- ◆ Slå ikke vådt græs eller græs på meget stejle skråninger. Et dårligt fodfæste kan få dig til at skride eller falde, så du kommer til skade.

- ◆ Slå ikke græs i nærheden af skrænter, grøfter eller volde. Du kan mist fodfæste og balance.

## Andres sikkerhed

- ◆ Dette apparat må ikke bruges af personer (herunder børn) med nedsatte fysiske, sensoriske eller mentale evner eller manglende erfaring og viden, med mindre det sker under overvågning, eller der gives instruktion i brugen af apparatet af en person, der er ansvarlig for deres sikkerhed.
- ◆ Børn skal holdes under opsyn, så det sikres, at de ikke leger med apparatet.

## Restrisici.

Der kan opstå yderligere restrisici under brugen af værktøjet, som ikke kan medtages i vedlagte sikkerhedsadvarsler. Disse risici kan opstå pga. forkert anvendelse, langvarig brug etc.

Selv ved overholdelse af relevante sikkerhedsforskrifter og anvendelse af sikkerhedsudstyr kan visse restrisici ikke undgås. Disse omfatter:

- ◆ **Tilskadekomst forårsaget af berøring af roterende/ bevægelige dele.**
- ◆ **Tilskadekomst forårsaget af udskiftning af dele, blade eller tilbehør.**
- ◆ **Tilskadekomst forårsaget af langvarig brug af et værktøj. Husk at holde pause jævnligt ved brug af et værktøj i længere tid.**
- ◆ **Høreskader.**
- ◆ **Sundhedsrisici forårsaget af indånding af støv, der dannes ved brug af værktøjet (eksempel: Arbejde med træ, især eg, bøg og MDF).**

## Advarselssymboler

Følgende advarselssymboler findes på apparatet:



**Advarsel!** Læs vejledningen inden brug.



Udsæt ikke apparatet for regn eller høj luftfugtighed.



Pas på, kniven er skarp.

Tag altid sikkerhedsnøglen ud, før du rengør plæneklipperen, afmonterer græsposen, fjerner blokeringer under udkastskærmen, forlader plæneklipperen eller foretager justeringer, reparationer eller inspektioner.



Pas på flyvende genstande. Hold omkringstående på afstand af klippeområdet.



Brug beskyttelsesbriller



Kniven fortsætter med at rotere, efter at maskinen er slukket.



Direktiv 2000/14/EØF garanteret lydeffekt.

## Yderligere sikkerhedsvejledninger for batterier og ladere

### Batterier

- ◆ Forsøg aldrig at åbne uanset årsag.
- ◆ Batteriet må ikke udsættes for fugt.
- ◆ Batteriet må ikke udsættes for varme.
- ◆ Må ikke opbevares på steder, hvor temperaturen kan overstige 40°C.
- ◆ Oplad kun ved omgivelsestemperaturer på mellem 10°C og 40°C.
- ◆ Brug kun den oplader, der fulgte med apparatet/værktøjet, til opladning. Brug af den forkerte oplader kan medføre elektrisk stød eller overophedning af batteriet.

- ◆ Følg vejledningen i afsnittet "Miljøbeskyttelse" ved bortskaffelse af batterier.
- ◆ Undgå at beskadige/deformere batteripakken ved at punktere den eller slå på den, da dette kan forårsage risiko for tilskadekomst eller brand.
- ◆ Beskadigede batterier må ikke oplades.
- ◆ Under ekstreme forhold kan der forekomme batterilækage. Hvis du bemærker væske på batterierne, skal du omhyggeligt tørre den af med en klud. Undgå kontakt med huden.
- ◆ I tilfælde af kontakt med hud eller øjne skal nedenstående instruktioner følges.

**Advarsel!** Batterivæsken kan forårsage personskader eller materielle skader. I tilfælde af kontakt med huden skylles straks med vand. Søg læge, hvis der opstår rødme, smerte eller irritation. Skyl straks med rent vand, og søg læge i tilfælde af kontakt med øjnene.

Forsøg ikke at oplade beskadigede batterier.



### Ladere

Laderen er udviklet til en specifik spænding.

Kontroller altid, at netspændingen svarer til spændingen på typeskiltet.

**Advarsel!** Forsøg aldrig at erstatte laderenheden med et almindeligt netstik.

- ◆ Brug kun din Black & Decker-lader til at oplade batteriet i det apparat/værktøj, som den blev leveret sammen med. Andre batterier kan eksplodere og forårsage personskade og materiel skade.
- ◆ Forsøg aldrig at oplade ikke-genopladelige batterier.
- ◆ Hvis netledningen beskadiges, skal den udskiftes af producenten eller et autoriseret Black & Decker-værksted, så farlige situationer undgås.
- ◆ Laderen må ikke udsættes for fugt.
- ◆ Laderen må ikke åbnes.
- ◆ Undersøg ikke laderen.
- ◆ Apparatet/værktøjet/batteriet skal anbringes et sted med god udluftning, når det oplades.



Laderen er kun beregnet til indendørs brug.

Læs brugervejledningen, før værktøjet tages i brug.



## Elektricitet og sikkerhed



Laderen er dobbelt isoleret. Derfor er en jordledning ikke nødvendig. Kontroller altid, at netspændingen svarer til spændingen på typeskiltet. Forsøg aldrig at erstatte laderenheden med et almindeligt netstik.

- ◆ Hvis netledningen beskadiges, skal den udskiftes af producenten eller et autoriseret Black & Decker-værksted, så farlige situationer undgås.

## Funktioner

Dette apparat leveres med nogle af eller alle de følgende komponenter.

1. Sikkerhedsnøgle
2. Aktiveringsbøjle
3. Aktiveringshåndtag til selvkørsel
4. Greb til styring af hastigheden
5. Håndtagsbøjle
6. Fjederbelastet bagdæksel
7. Justeringsgreb til håndtagsbøjle
8. Fastgørelsesbolte til håndtagsbøjle
9. Batterikrampe
10. Batterigreb
11. Aftageligt batteri
12. Afdækning – aktiveringsknop
13. Klippehøjdegreb
14. Indikator for klippehøjde
15. Græspose

## Samling

**Advarsel!** Kontroller før montering, at værktøjet er slukket, og at stikket er taget ud af stikkontakten.

### Udpakning (fig. A og B)

**Advarsel!** Klemmepunkt - hold fingrene væk fra området mellem håndtagsbøjlen og pladerne for at undgå at få fingrene klemt.

- ◆ Skær forsigtigt ned langs kassens sider i den modsatte ende af håndtaget, og fold klappen ned som vist.

- ◆ Tag pap, oplader, tilbehørspose og græspose ud, og skub plæneklipperen ud af den åbne kasse, når den er skåret op.

**Advarsel!** Skarp roterende kniv. Hold alle kropsdele væk fra kniven.

### Samling af håndtaget (fig. C)

Værktøj, der skal bruges til samling, medfølger ikke: Justerbar eller 1/2 tommers (13 mm) nøgle.

- ◆ Anbring håndtagsbøjlen (5), så dens huller er på linje med pladens (16) huller. Justeringsgrebene til håndtagsbøjlen (7) rettes ind efter sidepladens (16) øverste huller.
- ◆ Før fastgørelsesboltene (8) gennem håndtagsbøjles (5) huller, og skrue dem ind i pladen (16). Gentag i den anden side, før der tilspændes.
- ◆ Spænd fastgørelsesboltene (8) sikkert med en justerbar eller 1/2 tommers (13 mm) nøgle.
- ◆ Den ønskede håndtagshøjde indstilles ifølge håndtagsjusteringen. Skub eller brug ikke plæneklipperen, medmindre håndtagsbøjlen er fastgjort og sikret korrekt på plæneklipperen.

**Advarsel!** Klemmepunkt - hold fingrene væk fra området mellem håndtagsbøjlen (5) og pladerne (16) for at undgå at få fingrene klemt.

### Justering af håndtag (fig. D)

Plæneklipperen har en funktion til variabel højdejustering af håndtaget. Følg nedenstående fremgangsmåde for at justere håndtaget, så det passer til din højde:

- ◆ Hold håndtagsbøjlen (5) med den ene hånd, træk det ene justeringsgreb (7) ud, og roter det en kvart omgang for at frigøre stiften fra hullet i metalpladen.
- ◆ Gentag i den anden side. Nu kan håndtagsbøjlen (5) bevæges frit til en anden håndtagshøjdeposition.
- ◆ Flyt håndtagsbøjlen til den ønskede højdeposition.
- ◆ Træk det ene justeringsgreb (7) ud, og roter det en kvart omgang for at sætte stiften på plads i metalpladens hul. Gentages i modsatte side.

### Samling af græsposen (fig. E og F)

- ◆ Skub græsposen (15) på rammen (17).
- ◆ Monter græsposens øverste klips på rammen.
- ◆ Monter græsposens to sideklips og derefter den nederste klips på rammen.

## Justering af hjulhøjden (fig. G og H)

Plæneklipperen er udstyret med Black & Deckers one-touch justeringssystem til hjulhøjde. Dette system justerer alle fire hjul på én gang.

Plæneklipperen har syv justeringspositioner for knivhøjde (38 mm til 89 mm). Se skalaen og markøren foran på plæneklipperen. Markøren angiver den aktuelle klippehøjdeindstilling for plænen. Denne indstilling kan være en reference til næste gang, du vil klippe plænen i samme højde.

- ◆ Slip aktiveringsbøjlen (3) for at slukke plæneklipperen, vent til kniven stopper, og fjern sikkerhedsnøglen (1).
- ◆ Placer håndfladen på håndfladestøtten (18), klem opad på fingergrebet (19) med fingrene, og hold det der for at hæve eller sænke klippehøjden.
- ◆ Hæv eller sænk klippehøjden efter ønske, mens du holder fast i fingergrebet (19). Højdeindikatoren viser den aktuelle indstilling (fig. H).
- ◆ Når plæneklipperen har den ønskede højde, holdes den på plads med venstre hånd nederst på højre side af håndtaget, hvorefter fingergrebet (19) slippes for at fastlåse højdejusteringen.

**Bemærk:** Tryk ned på håndfladestøtten, når du har sluppet fingergrebet, for at kontrollere at plæneklipperen er låst fast i en af højdepositionerne.

## Afmontering og montering af batteriet (fig. I og K)

Batteripakken (11) kan tages af plæneklipperen med henblik på opbevaring/opladning, eller den kan blive siddende i plæneklipperen med henblik på opladning.

### Før batteriet afmonteres:

- ◆ Placer plæneklipperen på en jævn flade.
- ◆ Slip aktiveringsbøjlen (3) for at slukke plæneklipperen, vent til kniven stopper, og fjern sikkerhedsnøglen (1).

### Sådan tages batteriet ud:

- ◆ Løft batterigrebet (10) for at udløse batterikrampen (9), og træk den derefter væk fra batteripakken. Løft batteripakken ud.

### Sådan monteres batteriet

Før isætning af batteripakken skal det sikres, at plæneklipperen er fri for snavs, og at ladestikket (20) er taget ud af batteripakken (11).

- ◆ Lad batteripakken glide ind i plæneklipperen. (Batteriet passer kun i én retning).

- ◆ Fastgør batteriet i plæneklipperen ved at klippe batterikrampen (9) fast over kanten af batteriet (11) og derefter trykke batterigrebet (10) ned, indtil det klikker på plads.

## Anvendelse

**Advarsel!** Lad apparatet arbejde i dets eget tempo. Det må ikke overbelastes.

## Opladning af batteriet (fig. J - L)

**Bemærk:** Oplad batteriet, inden det bruges første gang:

Batteriet kan enten tages af plæneklipperen med henblik på opladning, eller det kan oplades, mens det sidder i plæneklipperen.

- ◆ Slip aktiveringsbøjlen (3) for at slukke plæneklipperen, vent til kniven stopper, og fjern sikkerhedsnøglen (1).
- ◆ Ret det grønne (+) og hvide (-) stik ind efter hinanden, og sæt ladestikket (20) i fatningen (22) på plæneklipperen, eller fjern batteriet, og sæt ladestikket (20) i fatningen (21) på batteriet.
- ◆ Ladestikket (20) kan kun sættes i plæneklipperens fatning på én måde.
- ◆ Sæt laderens 240 V-stik i en stikkontakt (fig. L).
- ◆ Den røde lampe (26) på laderen (24) lyser, for at angive at batteriet oplades. Kontroller, at laderens stik sidder korrekt, hvis den røde lampe ikke lyser.
- ◆ Når opladningen er færdig, slukkes den røde lampe (26), og den grønne lampe tændes.

Det tager ca. 16 timer at oplade et helt afladet batteri.

Det anbefales at holde batteriet fuldt opladet mellem hver gangs brug for at opnå optimal ydeevne i hele sæsonen.

Den lader, der følger med plæneklipperen, er beregnet til at blive sat i, så den vender korrekt i lodret eller gulvmonteringsposition.

## Ladeindikator (fig. K)

Batteriet er udstyret med en ladeindikator. Den kan bruges til at vise batteriets aktuelle ladeniveau under brug.

- ◆ Tryk på ladeindikatorknappen (23).

## Sikkerhedsnøglen

Fjern sikkerhedsnøglen:

- ◆ Når apparatet efterlades uden opsyn.
- ◆ Før du fjerner en blokering.

- ◆ Før du kontrollerer, rengør, justerer eller arbejder på apparatet.
- ◆ Når du har ramt et fremmedlegeme.
- ◆ Hvis apparatet begynder at vibrere unormalt.

## Tænd og sluk

**Advarsel!** Skarp roterende kniv. Forsøg ikke at omgå denne kontakts funktion og sikkerhedsnøglesystemet; det kan medføre alvorlig tilskadekomst.

### Start (fig. M)

- ◆ Sæt sikkerhedsnøglen (1) helt ind i kontakthuset.
- ◆ Tryk på knappen (27) på siden af kontakthuset.
- ◆ Træk knivens aktiveringsbøjle (3) mod håndtagsbøjlen (5).

### Stop (fig. M)

- ◆ Slip knivens aktiveringsbøjle (3) for at slukke plæneklipperen.

Når aktiveringsbøjlen (3) er vendt tilbage til sin oprindelige stilling, aktiveres den automatiske låsemekanisme. Motoren bremser elektrisk, og plæneklipperens kniv holder op med at rotere i løbet af 3 sekunder eller mindre.

## Trinløs hastighed ved selvkørsel (fig. M)

Plæneklipperen er udstyret med trinløs hastighed ved selvkørsel. Selvkørsel er uafhængig af knivens tænd/sluk-kontakt. Det kan bruges med eller uden rotation af kniven. Når du f.eks. er færdig med at klippe plænen, kan du bruge selvkørsel til at køre plæneklipperen tilbage til opbevaringsstedet, uden at knivmotoren er slået til.

### Sådan bruges selvkørsel, uden at kniven roterer:

- ◆ Sæt sikkerhedsnøglen (1) helt ind i kontakthuset.
- ◆ Skub aktiveringshåndtaget til selvkørsel (2) mod håndtagsbøjlen (5).
- ◆ Slip aktiveringshåndtaget til selvkørsel for at slukke for selvkørsel.

**Bemærk!** Selvkørsel er trinløs hastighed. Du kan vælge hastigheden ved at bevæge hastighedsgrebet (4). Når du bevæger hastighedsgrebet fremad, øges hastigheden. Når du bevæger hastighedsgrebet i modsat retning, sænkes hastigheden.

### Sådan bruges selvkørsel, mens kniven roterer:

- ◆ Sæt sikkerhedsnøglen (1) helt ind i kontakthuset.
- ◆ Tryk på knappen (27) på siden af kontakthuset, og træk derefter aktiveringsbøjlen (3) mod håndtagsbøjlen (5).

- ◆ Hold aktiveringsbøjlen på plads mod håndtagsbøjlen med højre hånd. Skub nu aktiveringshåndtaget (2) mod håndtagsbøjlen (5) med venstre hånd.
- ◆ Du kan holde både aktiveringshåndtag og aktiveringsbøjle mod håndtagsbøjlen med venstre hånd.

**Bemærk!** Når du slår selvkørsel fra, f.eks. ved slutningen af en række, kan det blive låst midlertidigt, hvis du trækker tilbage på plæneklipperen. Skub blot let fremad, og bevæg plæneklipperen som ønsket.

**Bemærk!** Under klipning kan det somme tider være lettere at manøvrere omkring en genstand, f.eks. et træ eller planter, med selvkørsel slået fra. Plæneklipperen kan let bruges med selvkørsel slået fra.

## Aktivering af klipning af afdækningsmateriale (fig. N og O)

Plæneklipperen er udstyret med en aktiveringsfunktion, der giver mulighed for at konvertere afdækningsmateriale til posefyldning eller tømning ved at dreje på en knap:

- ◆ Slip aktiveringsbøjlen (3) for at slukke plæneklipperen, vent til kniven stopper, og fjern sikkerhedsnøglen (1).

### Tømningsindstilling:

- ◆ Afmonter græsopsamleren.
- ◆ Sørg for, at den bageste tømmedør hviler solidt mod skjoldet.
- ◆ Tryk på og drej aktiveringsknappen, så den er på linje med ordet "DISCHARGE" (fig N).

**Bemærk!** Plæneklipperen er nu i bageste tømningsindstilling. Det klippede græs placeres under den lukkede dørudgang på plænen.

### Posefyldningsindstilling:

- ◆ Monter græsopsamleren.
- ◆ Sørg for, at den bageste tømmedør hviler solidt mod toppen af græsopsamleren.
- ◆ Tryk på og drej aktiveringsknappen, så den er på linje med ordet "BAG" (se fig N).

**Bemærk!** Plæneklipperen er nu i posefyldningsindstilling. Hvis der her skal skiftes til bageste tømningsindstilling, er det blot nødvendigt at bevæge græsopsamleren.

### Afdækningindstilling:

- ◆ Der skiftes til afdækningsindstilling ved at trykke på og dreje aktiveringsknappen, så den er på linje med ordet "MULCH" (se fig O). Plæneklipperen er nu i afdækningsindstilling.

**Bemærk!** Hvis det bliver svært at dreje aktiveringsknappen, kan det være nødvendigt at rense udkastet på skjoldet.

- ◆ Slip knivens aktiveringsbøjle for at slukke plæneklipperen, og vent på, at kniven stopper helt. Fjern derefter sikkerhedsnøglen og batteripakken.
- ◆ Hold den bageste tømmedør åben, og fjern affald i udkastet på skjoldet. Rengør også skjoldets bund efter behov.

### Montering af græsposen (fig. P og Q)

- ◆ Slip knivens aktiveringsbøjle (3) for at slukke plæneklipperen, vent til kniven stopper, og fjern sikkerhedsnøglen (1).
- ◆ Sæt den fjederbelastede bageste tømmedør (6) lodret, og hold den fast i åben stilling.
- ◆ Brug håndtaget (29) på græsposen (15) til at montere græsposen mellem plæneklipperens håndtagsbøjle.
- ◆ Sæt græsposens hængekroge på plæneklipperen (fig. Q).
- ◆ Frigør den bageste tømmedør (6).

### Gode råd til optimal brug

Plæner slås første gang om foråret, når græsset er ca. 63 mm til 76 mm højt. Hvis plænen slås for tidligt på sæsonen, begrænses græssets rodsystem, som fornyr sig selv hvert forår. Nyt græs skal først slås, når det er ca. 63 mm højt.

Klip ikke for meget græs af ad gangen, aldrig mere end ca. en tredjedel af græssets længde ved hver klipning. Hvis plænen klippes for tæt, får græsset et chok, som giver det hule rødder og gør det vanskeligt for plænen at nå vandet i jorden.

Slå plænen, når den er tør, så undgår du klumper af vådt græs. Hvis du har muligheden, er det bedste tidspunkt at slå græs på sent om eftermiddagen, ikke blot fordi græsset da er tørt, men også fordi det følsomme nyklippede græsområde ikke udsættes for kraftigt sollys.

Hold kniven skarp, det giver et pænt og rent snit. Dette forbedrer plæneklipperens ydeevne og græsplænen udseende. En sløv kniv slår græssets spidser i stykker og beskadiger dem. Det påvirker plænenes sunde vækst negativt og øger sårbarheden over for græssygdomme. Hvis græssets spidser beskadiges, får de en brunlig farve, og græsplænen kommer til at se usund ud. En sløv kniv kan også trække ny græsvækst op.

Prøv at slå plænen med en konstant klippehøjde. Selvom der er tidspunkter, hvor klippehøjden skal ændres afhængigt af tidspunktet på sæsonen, giver en ensartet klippelængde en sundere og smukkere plæne med mindre ukrudt. Slå plænen hyppigt i perioder med hurtig vækst. Hyppig klipning sikrer, at den nederste mindre attraktive del af græsset ikke ses.

Hvis plænen er blevet for lang, f.eks. pga. ferie, skal du slå den med en klippehøjde, der er en eller to positioner højere end normalt. Yderligere en slåning nogle få dage senere ved normal klippehøjde giver plænen dens normale udseende igen. Ændring af klippehøjden er ganske let med Black & Deckers one-touch justeringssystem til hjulhøjde, hvor alle fire hjul justeres på én gang.

Om foråret og om efteråret eller efter en afbrydelse af den normale klipperutine vil græsset være længere og tykkere. Prøv at indstille hjulene til en højere klippehøjde, hvis motoren bliver ved med at reducere omdrejningstallet under klipningen. En for kraftig belastning af motoren kan medføre ujævn klipning, hurtigere afladning af batteriet og overbelastning, som stopper motoren.

Du kan forbedre plænenes udseende på tre måder: Skift hyppigt slåretning, slå vandret på skråninger (dette er også en god sikkerhedspraksis), og husk at overlappe ved hver overkørsel.

Slå altid græsset, så det kastes ud på det slåede stykke af plænen. På den måde ser plænen frisk ud, fordi der ikke efterlades ophobet græs, som efterhånden bliver brunt og grimt. Den metode sparer også på batteriet, så du får mest muligt ud af din ledningsfri Black & Decker-plæneklipper.

Om foråret og efteråret, hvor græsset er længere og tykkere, kan du bruge plæneklipperen, uden at batteriet er fuldt opladet (dvs. den grønne ladeindikatorlampe lyser). Det gør det muligt at udføre kortvarig slåning, men vi anbefaler ikke, at du gør det ofte. Batteriets og plæneklipperens ydeevne er langt bedre, når det er fuldt opladet.

### Tip til græsslåning

**Bemærk!** Inspicer altid det område, hvor plæneklipperen skal bruges, og fjern sten, pinde, ståltråd, ben etc., som den roterende kniv kan kaste ud.

- ◆ Arbejd på tværs af skråninger, aldrig op og ned. Vær især forsigtig, når du ændrer retning på skråninger. Slå ikke græs på meget stejle skråninger. Sørg altid for et godt fodfæste.
- ◆ Slip aktiveringsbøjlen (3) for at slukke plæneklipperen, når grusbelagte flader passerer, den roterende kniv kan slynge sten ud.
- ◆ Indstil plæneklipperen til den højeste klippehøjde i ujævn terræn eller i højt ukrudt. Hvis der slås for meget græs på én gang, kan motoren blive overbelastet, så plæneklipperen stopper. Se fejlsøgningsvejledningen.

Når græsposen (15) bruges i perioder, hvor græsset vokser hurtigt, kan tømmeåbningen tilstoppes.

- ◆ Slip aktiveringsbøjlen (3) for at slukke plæneklipperen, og fjern sikkerhedsnøglen (1).
- ◆ Tag græsposen (15) af, og ryst græsset til den bageste ende af posen.
- ◆ Fjern græs og snavs, der samler sig omkring tømmeåbningen.
- ◆ Monter græsposen (15) igen.

Hvis plæneklipperen begynder at vibrere unormalt:

- ◆ Slip omgående aktiveringsbøjlen (3) for at slukke plæneklipperen, og fjern sikkerhedsnøglen (1) og batteripakken (11).
- ◆ Undersøg årsagen til vibration. Vibration er en advarsel. Brug ikke plæneklipperen, før den har gennemgået et servicecheck. Se fejlsøgningsvejledningen i betjeningsvejledningen.

**Bemærk!** Slip altid aktiveringsbøjlen for at slukke plæneklipperen, og fjern sikkerhedsnøglen, hvis plæneklipperen efterlades uden opsyn selv i kort tid.

Nedenstående forslag hjælper dig med at opnå optimal driftstid med den ledningsfri plæneklipper:

- ◆ Sæt farten ned på områder, hvor græsset er meget langt eller tykt.
- ◆ Undgå at klippe længder på mere end 38 mm ved klipping af afdækningsmateriale.
- ◆ Slå ikke græs, når det er vådt.
- ◆ Slå plænen hyppigt, især i perioder med kraftig vækst.

**Bemærk!** Opladning af græsslåmaskinen efter hver brug anbefales. Hyppig opladning skader ikke batteriet og sikrer, at batteriet altid er fuldt opladet.

### Tip til slåning af afdækningsmateriale

Ved slåning af afdækningsmateriale klipper plæneklipperen græsset i små stykker og spreder dem på plænen. Under normale forhold komposteres græsset hurtigt og giver næring til græsplænen.

Anbefalinger vedrørende optimal klipping af afdækningsmateriale:

- ◆ Slå ikke græs, når det er vådt. Vådt græs kan klumpe, hvilket påvirker afdækningsprocessen og reducerer virketiden. Det bedste tidspunkt at slå sit græs på er om eftermiddagen, hvor græsset er tørt, og det nyslåede område ikke udsættes for direkte sollys.

- ◆ For at få det bedste afdækningsmateriale indstilles klippehøjden til at klippe ca. en tredjedel af græssets længde, helst ikke mere end 38 mm ad gangen. Hvis plænen er for høj, kan det være nødvendigt at sætte klippehøjden op for at reducere behovet for at skubbe maskinen og forhindre overbelastning af motoren.
- ◆ Ved klipping af afdækningsmateriale i meget langt græs, tilrådes det først at klippe med en høj indstilling for klippehøjde og derefter klippe til den endelige længde eller at slå plænen langsomt i smallere baner.

Hold plæneklipperens hus frit for græsansamlinger, det giver det bedste resultat:

- ◆ Slip aktiveringsbøjlen (3) for at slukke plæneklipperen, og vent på, at kniven stopper helt.
- ◆ Fjern sikkerhedsnøglen (1) og batteripakken (11), og læg plæneklipperen på siden.
- ◆ Brug en uskarp skraber til at fjerne ophobet græs i knivområdet. Pas på knivens skarpe kanter. Rengør hyppigere ved slåning af saftigt græs og altid efter brug af plæneklipperen.

Visse typer græs eller græsforhold kan gøre det nødvendigt at slå området endnu engang, så det afklippede græs spredes over hele plænen.

Når plænen slås anden gang, tilrådes det at slå vinkelret (på tværs) af første klipping, men retningen må ikke ændres, så du skal bevæge dig ned ad bakke.

- ◆ Skift klipperetning hver uge. Det modvirker, at plænen danner måtter.

### Vedligeholdelse

Dit Black & Decker-apparat/værktøj med eller uden ledning er beregnet til brug gennem lang tid med et minimum af vedligeholdelse. Forsat tilfredsstillende drift afhænger af korrekt behandling af værktøjet/apparatet samt regelmæssig rengøring.

Laderen kræver ingen vedligeholdelse, men skal rengøres jævnligt.

**Advarsel!** Før udførelse af nogen form for vedligeholdelse på elværktøj med/uden ledning:

- ◆ Sluk, og tag apparatets/værktøjets stik ud af stikkontakten.
- ◆ Eller sluk og fjern batteriet fra apparatet/værktøjet, hvis det har en separat batteripakke.
- ◆ Eller aflad batteriet helt, hvis det er indbygget, og sluk derefter.



- ◆ Træk laderen ud af stikkontakten, før den rengøres. Laderen kræver ingen vedligeholdelse, men skal rengøres jævnligt.
- ◆ Rengør jævnligt værktøjets/apparatets og laderens ventilationshuller med en blød børste eller en tør klud.
- ◆ Rengør med jævne mellemrum motorhuset med en fugtig klud. Der må ikke bruges skuremidler eller opløsningsmidler.
- ◆ Brug jævnligt en uskarp skraber til at fjerne græs og snavs fra apparatet.

## Afmontering og montering af kniven (fig. R og S)

**Advarsel!** Rør ikke ved kniven, før sikkerhedsnøglen er fjernet, og kniven står helt stille.

- ◆ Slip aktiveringsbøjlen (3) for at slukke plæneklipperen, vent til kniven stopper, og fjern sikkerhedsnøglen (1).
- ◆ Skær et stykke træ til (ca. 50 mm x 100 mm x 600 mm langt), som kan holde kniven fast, så den ikke drejer, mens du afmonterer flangemøtrikken.
- ◆ Læg græsslåmaskinen på siden.

**Advarsel!** Bær handsker og ordentlig øjenbeskyttelse. Pas på knivens skarpe kanter.

- ◆ Monter træstykket (32), og fjern flangemøtrikken (30) med en 19 mm nøgle (31) (fig. R).
- ◆ Afmonter det firkantede knivafstandsstykke af metal (37), den firkantede knivisolator (33) og kniven (34) (fig. S). Kontroller knivisolatoren (35) for beskadigelse, og udskift den om nødvendigt.

Kontroller ved montering af kniven, at dens græsside vender mod jorden, når den igen sættes i normal, stående stilling.

- ◆ Efter montering af kniven sættes knivisolatoren (35) på kniven, så de forhøjede læber på den ene side rører ved knivens kanter (34).
- ◆ Monter knivafstandsstykket (36), så det sidder inde i de forhøjede læber på den anden side af knivisolatoren (35). Ret fladerne i knivafstandsstykkets (36) hul ind efter akslens flader ved at dreje kniven og knivisolatoren i forhold til hinanden.
- ◆ Monter træstykket (32), så kniven ikke kan dreje rundt (fig. R).
- ◆ Monter flangemøtrikken (30) med flangen mod det firkantede knivafstandsstykke af metal (37), og spænd.

## Slibning af kniven (fig. T)

Hold kniven skarp, det giver det bedste resultat. En sløv kniv klipper og snitter ikke græsset ordentligt.

**Advarsel!** Kontroller altid, at sikkerhedsnøglen er fjernet.

**Advarsel!** Bær ordentlig øjenbeskyttelse, når du afmonterer, sliber eller monterer en kniv.

Det er normalt tilstrækkeligt at slibe kniven to gange i sæsonen under normale forhold. Sand gør hurtigt kniven døv. Hvis der er sandjord i din plæne, kan det være nødvendigt at slibe kniven hyppigere.

- ◆ Udskrift straks kniven, hvis den bliver bøjet eller beskadiget.

## Ved slibning af kniven:

- ◆ Sørg for, at kniven er afbalanceret.
- ◆ Slib kniven i den oprindelige skærevinkel.
- ◆ Slib skærekanterne i begge ender af kniven, så der fjernes en lige stor mængde materiale fra begge ender.

## Slibning af en kniv i en skruestik (fig. T)

- ◆ Slip aktiveringsbøjlen (3) for at slukke plæneklipperen, og vent på, at kniven stopper helt.
- ◆ Fjern sikkerhedsnøglen (1) og batteripakken (11), og læg plæneklipperen på siden.
- ◆ Afmonter kniven (34) fra plæneklipperen, se vejledningen vedrørende afmontering og montering af kniv.

**Advarsel!** Brug ordentlig øjenbeskyttelse og handsker, og pas på knivens skarpe kanter.

- ◆ Sæt kniven (34) i en skruestik.
- ◆ Fil forsigtigt knivens skæreflader med en fin fil eller slibesten, så den oprindelige skærekant bevares.
- ◆ Kontroller knivens balance, se vejledningen vedrørende afbalancering af kniv.
- ◆ Monter kniven (34) på plæneklipperen, og spænd den fast, se vejledningen vedrørende afmontering og montering af kniv.

## Afbalancering af kniv (fig. U)

- ◆ Kontroller knivens balance ved at sætte knivens midterhul på et søm eller en rund skruetrækker, der er opspændt vandret i en skruestik. Hvis en af knivens ender drejer nedad, skal den ende af kniven files, til den er i balance.

## Smøring

Smøring er ikke nødvendigt. Smør ikke hjulene med olie. De har plastiklejer, som ikke kræver smøring.

## Rengøring

- ◆ Slip aktiveringsbøjlen (3) for at slukke plæneklipperen, og vent på, at kniven stopper helt.
- ◆ Fjern sikkerhedsnøglen (1).
- ◆ Brug kun en mild sæbe og en fugtig klud til rengøring af plæneklipperen.

- ◆ Brug et uskarpt værktøj til at fjerne græs, der måtte have samlet sig under plæneklipperen.
- ◆ Kontroller, at alle udsatte fastgørelsesdele sidder fast, når du har brugt plæneklipperen nogle gange.



Ved separat bortskaffelse af brugte produkter og emballage bliver der mulighed for at genanvende forskellige materialer. Genanvendelse af materialer medvirker til at forebygge miljøforurening og mindsker behovet for råstoffer.

## Forebyggelse af korrosion

Gødning og andre havekemikalier indeholder stoffer, som øger rustdannelse på metal. Hvis du slår græs i områder, hvor der er anvendt gødning eller kemikalier, skal plæneklipperen rengøres umiddelbart efter brug som følger:

- ◆ Slip aktiveringsbøjlen (3) for at slukke plæneklipperen, og vent på, at kniven stopper helt.
- ◆ Fjern sikkerhedsnøglen (1).
- ◆ Tør alle udsatte dele af med en fugtig klud.

## Transport og opbevaring

**Advarsel!** Den roterende kniv kan forårsage alvorlig tilskadekomst. Slip aktiveringsbøjlen for at slukke plæneklipperen, og fjern sikkerhedsnøglen, før du løfter, transporterer eller stiller plæneklipperen til side. Opbevar plæneklipperen på et tørt sted.

**Bemærk:** Plæneklipperen er ikke så tung at løfte, hvis batteripakken fjernes først. Brug ikke krampen til at løfte plæneklipperen i.

## Opbevaring uden for sæsonen

I varme klimaer anbefales det, at batteriet holdes konstant opladet, det giver det bedste resultat.

Batteriet kan opbevares uden tilsluttet oplader, hvis følgende betingelser er opfyldt.

- ◆ Batteriet er fuldt opladet, før det sættes til side.
- ◆ Gennemsnitstemperaturen på opbevaringsstedet er under 10°C.

## Miljøbeskyttelse



Separat bortskaffelse. Dette produkt må ikke bortskaffes sammen med almindeligt husholdningsaffald.

Når dit Black & Decker-produkt en dag er udtjent, eller du ikke længere har brug for det, må du ikke smide det ud sammen med det almindelige affald. Produktet skal bortskaffes separat.

Lokal lovgivning kan kræve separat indsamling af elektriske husholdningsapparater på kommunale affaldsdepoter eller af den detailhandlende ved køb af et nyt produkt.

Black & Decker sørger for at indsamle og genanvende Black & Decker-produkter, når disse ikke længere kan bruges. Hvis du vil benytte dig af denne service, skal du returnere produktet til et autoriseret værksted, der indsamler produkterne for os.

Kontakt det lokale Black & Decker-kontor på den adresse, der er angivet i denne vejledning, for at få oplysninger om nærmeste autoriserede værksted. En liste over alle autoriserede Black & Decker-serviceværksteder samt servicevilkår og kontaktpersoner er tilgængelig på internettet på adressen: [www.2helpU.com](http://www.2helpU.com)

## Batterier



Når batterier er udtjente, skal de bortskaffes under passende hensyntagen til miljøet:

- ◆ Aflad batteriet helt, og tag det derefter ud af værktøjet.
- ◆ NiCd-, NiMH- og Li-Ion-batterier kan genbruges. Anbring batteriet/batterierne i en egnet emballage, så polerne ikke kortsluttes. Aflever dem på et autoriseret værksted eller en lokal genbrugsstation.
- ◆ Kortslut ikke batteriterminalerne.
- ◆ Batteriet/batterierne må ikke kastes på ild, da dette kan medføre personskade eller eksplosion.

## Tekniske data

		GRC4736SD H 1
Indgangsspænding	V <sub>DC</sub>	36
Hastighed uden belastning	min <sup>-1</sup>	3300
Vægt	kg	41
Batteri		A1236
Spænding	V <sub>dc</sub>	36
Kapacitet	Ah	12
Type		Blysyre
Lader		905521** typ. 1
Indgangsspænding	V <sub>AC</sub>	220 - 240
Udgangsspænding	V <sub>DC</sub>	36
Strømstyrke	mA	800
Ladetid ca.	t	16

Vægtet vibrationsværdi for hånd/arm i henhold til EN 786:  
= < 2.5 m/s<sup>2</sup>, usikkerhed (K) = 1.5 m/s<sup>2</sup>.

L<sub>PA</sub> (lydtryk) 79 dB(A)  
usikkerhed (K) = 2 dB(A)

## EU-overensstemmelseserklæring

MASKINDIREKTIV

DIREKTIV VEDRØRENDE UDENDØRS STØJ



GRC4736SD

Black & Decker erklærer, at produkterne beskrevet under  
"Tekniske data" er i overensstemmelse med:  
2006/42/EC, EN 60335-1, EN 60335-2-91

2000/14/EC, Plæneklipper, L < 50 cm, bilag VI,  
DEKRA Certification B.V., Utrechtseweg 310, ED Arnhem  
Netherlands  
Notified Body ID No.: 0344

Lydintensitetsniveau i henhold til 2000/14/EØF  
(artikel 12, bilag III, L ≤ 50 cm):  
L<sub>WA</sub> (målt lydeffekt) 93 dB(A)  
usikkerhed (K) = 2 dB(A)  
L<sub>WA</sub> (garanteret lydeffekt) 95 dB(A)  
usikkerhed (K) = 2 dB(A)

Disse produkter er endvidere i overensstemmelse med direktiv  
2004/108/EF & 2011/65/EU.

Kontakt Black & Decker på nedenstående adresse, eller se  
vejledningens bagside for at få flere oplysninger.

Undertegnede er ansvarlig for udarbejdelsen af de tekniske  
data og fremsætter denne erklæring på vegne af Black &  
Decker.

Kevin Hewitt  
Vice-President Global Engineering  
Black & Decker Europe, 210 Bath Road, Slough,  
Berkshire, SL1 3YD  
Storbritannien  
01-10-2009

## Garanti

Black & Decker garanterer, at produktet er fri for skader og fejl og tilbyder en fremragende garanti. Garantien er et tillæg til forbrugernes lovsikrede rettigheder og påvirker ikke disse. Garantien gælder inden for medlemsstaterne af den Europæiske Union og i det Europæiske Frihandelsområde.

Hvis et Black & Decker-produkt går i stykker på grund af materiel skade og/eller fabrikationsfejl eller på anden måde ikke fungerer i overensstemmelse med specifikationen inden for 24 måneder fra købsdatoen, påtager Black & Decker sig at reparere eller ombytte produktet med mindst mulig ulempe for kunden. Garantien gælder ikke for fejl og mangler, der er sket i forbindelse med:

- ◆ Produktet har været anvendt erhvervsomt eller til udlejning.
- ◆ Produktet har været anvendt forkert eller er ikke vedligeholdt.
- ◆ Produktet er beskadiget af fremmedlegemer, substanser eller pga. uheld.
- ◆ Garantien gælder ikke, hvis reparationer er udført af andre end et autoriseret Black & Decker-værksted.

For at udnytte garantien skal produktet og købskvitteringen indleveres til forhandleren eller til et autoriseret værksted. Kontakt det lokale Black & Decker-kontor på den adresse, der er opgivet i denne vejledning, for at få oplysninger om nærmeste autoriserede værksted. En liste over alle autoriserede Black & Decker-serviceværksteder samt servicevilkår og kontaktpersoner er tilgængelig på internettet på adressen: [www.2helpU.com](http://www.2helpU.com)

Gå venligst ind på vores website [www.blackanddecker.dk](http://www.blackanddecker.dk) for at registrere dit nye produkt og for at blive holdt ajour om nye produkter og specialtilbud. Der findes yderligere oplysninger om mærket Black & Decker og vores produktsortiment på adressen [www.blackanddecker.dk](http://www.blackanddecker.dk)

## Käyttötarkoitus

Black & Decker -ruohonleikkuri on suunniteltu ruohon leikkaamiseen. Laite on tarkoitettu vain yksityiskäyttöön.

## Turvallisuusohjeet

**Varoitus!** Johdottomia laitteita käytettäessä on aina noudatettava asianmukaisia turvaohjeita, jotta tulipalojen, sähköiskujen, henkilövahinkojen ja materiaaliavurioiden riski olisi mahdollisimman pieni.

**Varoitus!** Laitetta käytettäessä on noudatettava turvallisuusääntöjä. Lue tämä opas huolellisesti läpi ennen koneen käyttöä oman ja muiden turvallisuuden takia. Säilytä ohjeet myöhemmä tarvetta varten.

- ◆ Lue nämä ohjeet huolellisesti ennen laitteen käyttöä.
- ◆ Käyttötarkoitus kuvataan tässä käyttöohjeessa. Muiden kuin tässä käyttöohjeessa suositeltujen lisävarusteiden tai -osien käyttö sekä laitteen käyttö muuhun kuin käyttöohjeessa suositeltuun tarkoitukseen voi aiheuttaa henkilövahingon vaaran.
- ◆ Säilytä tämä käyttöohje tulevaa tarvetta varten.

## Laitteen käyttö

Ole aina huolellinen käyttäessäsi laitetta.

- ◆ Tätä laitetta ei ole tarkoitettu nuorten tai lihasvoimaltaan heikkojen henkilöiden käyttöön ilman valvontaa.
- ◆ Laitetta ei saa käyttää leluna.
- ◆ Älä anna lasten tai eläinten tulla lähelle työskentelyaluetta tai koskea laitteeseen tai virtajohtoon.
- ◆ Jos laitetta käytetään lasten läheisyydessä, on oltava tarkkaavainen.
- ◆ Soveltuu vain kuivaan käyttöympäristöön. Älä anna laitteen kastua.
- ◆ Älä upota laitetta veteen.
- ◆ Älä avaa laitteen koteloa. Sen sisällä ei ole käyttäjän ulottavissa olevia osia.
- ◆ Älä käytä laitetta räjähdysalttiissa ympäristössä, jossa on syttyvää nestettä, kaasua tai pölyä.
- ◆ Älä koskaan irrota johtoa pistorasiasta johdosta vetäen. Pistoke tai johto voi vahingoittua.

## Käytön jälkeen

- ◆ Kun laitetta ei käytetä, säilytä sitä kuivassa, hyvin tuulettavissa paikassa poissa lasten ulottuvilta.
- ◆ Pidä laite lasten ulottumattomissa.
- ◆ Kun laitetta säilytetään tai kuljetetaan ajoneuvossa, sijoita se tavaratilaan tai kiinnitä se kunnolla, ettei se matkan aikana pääse liikkumaan.

## Tarkastus ja korjaus

- ◆ Tarkista ennen laitteen käyttöä, ettei laitteessa ole vahingoittuneita tai viallisia osia. Tarkista osien ja kytkimien kunto sekä muut seikat, jotka voivat vaikuttaa laitteen toimintaan.
- ◆ Älä käytä laitetta, jos jokin osa on vahingoittunut tai viallinen.
- ◆ Korjauta tai vaihdata vaurioituneet tai vialliset osat valtuutetussa huoltoliikkeessä.
- ◆ Älä koskaan yritä korjata tai vaihtaa muita kuin tässä käyttöohjeessa erikseen määriteltyjä osia.

## Ruohonleikkurien lisäturvaohjeet

- ◆ Pidä ruohonleikkuria työntöaisasta tukevasti molemmin käsin käytön aikana.
- ◆ Jos joudut käytön aikana kallistamaan ruohonleikkuria, pidä molemmat kädet koko ajan ajoasennossa. Pidä molemmat kädet ajoasennossa niin kauan, kunnes ruohonleikkuri on jälleen normaaliasennossa.
- ◆ Älä käytä radiota tai kuulokkeita ruohonleikkurin käytön aikana.
- ◆ Älä koskaan säädä pyörien korkeutta moottorin käydessä tai turva-avaimen ollessa paikallaan kytkentäkotelossa.
- ◆ Jos ruohonleikkuri pysähtyy, sammuta leikkuri vapauttamalla kahva, odota terän pysähtymistä ja irrota turva-avain ennen kuin yrität avata tukoksen tai poistaa mitään kannen alta.
- ◆ Pidä kädet ja jalat poissa leikkausalueelta.
- ◆ Pidät terät terävinä. Käytä aina suojakäsineitä käsitellessäsi ruohonleikkurin terää.
- ◆ Jos käytät ruohonkeräysspussia (5), tarkista säännöllisesti, ettei se ole kulunut tai rikkoutunut. Jos pussi on hyvin kulunut, vaihda se uuteen turvallisuuden vuoksi.
- ◆ Ole erittäin varovainen vetäessäsi ruohonleikkuria taaksepäin itseäsi kohti.
- ◆ Älä aseta käsiä tai jalkoja ruohonleikkurin lähelle tai sen alle. Pysy loitolla laitteen poistoaukosta.
- ◆ Poista ruohonleikkurin aiotulta käyttöalueelta kivet, puunpalaset, johdot, lelut, luut ja muut esineet, jotka terä voisi heittää suurella nopeudella. Terän heittämät esineet voivat aiheuttaa vakavia henkilövahinkoja. Pysy kahvan takana moottorin käydessä.
- ◆ Älä käytä ruohonleikkuria avoaloin tai avonaisten sandaalien kanssa. Käytä aina riittäviä turvajalkineita.
- ◆ Älä vedä ruohonleikkuria taaksepäin, ellei se ole täysin välttämätöntä. Katso aina alas ja taaksesi ennen siirtymistä taaksepäin ja sen aikana.
- ◆ Älä koskaan suuntaa laitteen poistoaukkoa ketään kohti. Vältä poistoaukon suuntaamista seinää tai muuta estettä kohti. Materiaalia voi kimmota takaisin käyttäjää kohti. Sammuta ruohonleikkuri ja pysäytä terä vapauttamalla kahva ennen kuin ylität sorapintaisen alueen.

- ◆ Älä käytä ruohonleikkuria, elleivät ruohonkeräyspussi, poistoaukon suojus, takasuojus ja muut turvalaitteet ole paikoillaan ja kunnossa. Tarkista aika ajoin kaikki suojukset ja turvalaitteet ja varmista, että ne ovat hyvässä käyttökunnossa ja toimivat oikein. Vaihda vahingoittunut suojus tai muu turvalaite ennen laitteen käytön jatkamista.
- ◆ Älä koskaan jätä käynnissä olevaa ruohonleikkuria ilman valvontaa. Irrota turva-avain aina, kun ruohonleikkuri jää ilman valvontaa.
- ◆ Pysäytä moottori vapauttamalla kahva, odota, että terä pysähtyy kokonaan ja irrota turva-avain, ennen kuin puhdistat ruohonleikkurin tai poistoaukon suojuksen, irrotat ruohonkeräyspussin tai kun poistut ruohonleikkurin luota tai teet säätöjä, korjauksia tai tarkastuksia.
- ◆ Käytä ruohonleikkuria vain päivänvalossa tai hyvässä keinovalossa niin, että terän tiellä olevat esineet näkyvät selvästi ruohonleikkurin käyttöalueelle.
- ◆ Älä käytä ruohonleikkuria, jos olet alkoholin tai huumeiden vaikutuksen alaisena tai jos olet väsynyt. Ole aina valpas, keskity työhön ja noudata tervettä järkeä laitteen käytössä.
- ◆ Vältä vaarallisia ympäristöjä. Älä käytä ruohonleikkuria kostealla tai märällä nurmikolla tai sateessa. Varmista aina tukeva jalansija. Kävele, älä juokse.
- ◆ Jos ruohonleikkuri alkaa täristä epätavallisesti, vapauta kahva, odota terän pysähtymistä, irrota turva-avain ja tarkista heti tärinän syy. Tärinä on yleensä merkki ongelmista. Tutustu vianmääritysohjeisiin saadaksesi selville syyn epätavalliseen tärinään.
- ◆ Käytä aina asianmukaisia suojalaseja ja hengityssuojainta ruohonleikkuria käyttäessäsi.
- ◆ Sellaisten lisävarusteiden tai -laitteiden käyttö, joita ei ole suositeltu käytettäväksi ruohonleikkurin kanssa, saattaa johtaa vaaratilanteeseen. Käytä vain Black & Deckerin hyväksymiä lisävarusteita.
- ◆ Älä kurkota ruohonleikkurin käytön aikana. Seiso aina tukevasti ja tasapainossa ruohonleikkurin käytön aikana.
- ◆ Leikkaa ruoho rinteiden korkeussuuntaan nähden poikittain, älä koskaan ylhäältä alas tai päinvastoin. Toimi erityisen huolellisesti, kun laitteen suuntaa muutetaan rinteessä.
- ◆ Varo koloja, kumpuja, kiviä tai muita näkymättömiä esineitä. Epätasainen maasto voi aiheuttaa liukastumisen tai kaatumisen. Pitkä ruoho voi peittää esteitä.
- ◆ Älä leikkaa märkää ruohoa tai leikkaa hyvin jyrkissä rinteissä. Epävakaa asento voi aiheuttaa liukastumisen tai kaatumisen.
- ◆ Älä leikkaa nurmikkoa aivan kuopan, ojan tai pengeryksen lähellä. Voit menettää tasapainon tai jalka voi luistaa.

## Muiden henkilöiden turvallisuus

- ◆ Tätä laitetta ei ole tarkoitettu sellaisten henkilöiden käyttöön, joilla on fyysisiä tai älyllisiä rajoitteita tai aistirajoitteita eikä laitteen toimintaan perehtymättömien henkilöiden käyttöön (lapset mukaan luettuina), paitsi valvonnan alaisina tai jos he ovat saaneet laitteen käyttöön liittyvää opastusta heidän turvallisuudestaan vastaavalta henkilöltä.
- ◆ Lapsia on valvottava ja estettävä leikkimästä laitteella.

## Muut riskit.

Myös muut kuin turvavaroituksissa mainitut riskit ovat mahdollisia työkalua käytettäessä. Nämä riskit voivat liittyä muun muassa virheelliseen tai pitkäaikaiseen käyttöön.

Tiettyjä jäännösriskejä ei voi välttää, vaikka noudat kaikkia turvamääräyksiä ja käytät turvalaitteita. Näihin kuuluvat muun muassa

- ◆ pyörivien tai liikkuvien osien koskettamisen aiheuttamat vahingot
- ◆ osia, teriä tai lisävarusteita vaihdettaessa aiheutuneet vahingot
- ◆ työkalun pitkäaikaisen käytön aiheuttamat vahingot  
Kun käytät työkalua pitkään, varmista, että pidät säännöllisesti taukoja.
- ◆ kuulovauriot
- ◆ työkalua käytettäessä (esimerkiksi puuta, erityisesti tammea, pyökkiä ja MDF-levyjä käsiteltäessä) syntyneen pölyn sisäänhengityksen aiheuttamat terveysriskit.

## Varoitusmerkinnät

Laitteessa on seuraavat varoitusmerkinnät:



**Varoitus!** Lue käyttöohje ennen laitteen käyttöönottoa.



Älä käytä laitetta sateessa tai erittäin kosteissa olosuhteissa.



Varo teräviä teriä.

Irrota turva-avain, ennen kuin puhdistat ruohonleikkurin, irrotat ruohonkeräysspussin, puhdistat poistoaukon suojuksen tai poistut ruohonleikkurin luota sekä aina ennen kuin teet säätöjä, korjauksia tai tarkastuksia.



Varo sinkoilevia esineitä. Pidä sivulliset poissa leikkausalueelta.



Käytä suojalaseja.



Terien liike jatkuu vielä hetken moottorin sammuttamisen jälkeen.



Direktiivin 2000/14/EY mukainen taattu ääniteho.

## Akku ja laturia koskevat lisäturvaohjeet

### Akku

- ◆ Älä koskaan yritä avata akkua.
- ◆ Älä anna akun kastua.
- ◆ Älä altista akkua kuumuudelle.
- ◆ Älä säilytä akkua tiloissa, joissa lämpötila voi nousta yli 40 °C:een.
- ◆ Lataa akku paikassa, jonka lämpötila on vähintään +10 °C ja enintään +40 °C.
- ◆ Käytä akun lataamiseen vain laitteen mukana toimitettua laturia. Väärin tyyppinen laturi voi aiheuttaa sähköiskun tai akun ylikuumenemisen.

- ◆ Noudata akkujen hävittämisessä kohdassa Ympäristön-suojelu esitettyjä ohjeita.
- ◆ Suojaa akkua vahingoittumiselta niin, ettei sen kotelo rikkoudu eikä siihen kohdistu iskuja, sillä muutoin voi syntyä henkilövahinkojen ja tulipalon vaara.
- ◆ Älä lataa viallisia akkuja.
- ◆ Vaativissa oloissa voi ilmetä akkuvuotoja. Jos havaitset akkujen pinnalla nestettä, pyyhi se huolellisesti pois. Vältä ihokosketusta.
- ◆ Jos nestettä joutuu silmiin tai iholle, noudata alla olevia ohjeita.

**Varoitus!** Akkuneste voi aiheuttaa aineellisia vahinkoja tai henkilövahinkoja. Jos nestettä joutuu iholle, se on välittömästi huuhdeltava pois vedellä. Jos ihoa kirvelee tai se punottaa tai on muuten ärtynyt, kysy lisäohjeita lääkäriltä. Jos nestettä joutuu silmiin, huuhto välittömästi puhtaalla vedellä ja mene lääkäriin.

Älä koskaan yritä ladata viallisia akkuja.



### Laturit

Laturi on tarkoitettu tietyle jännitteelle.

Tarkista aina, että verkkojännite vastaa arvokilvessä ilmoitettua jännitettä.

**Varoitus!** Älä yritä korvata laturiyksikköä tavallisella verkkopistikkeellä.

- ◆ Käytä Black & Deckerin laturia vain laitteen/työkalun mukana toimitetun akun lataamiseen. Muut akut voivat räjähtää ja aiheuttaa henkilövahinkoja tai aineellisia vahinkoja.
- ◆ Älä koskaan yritä ladata akkuja, joita ei ole tarkoitettu ladattaviksi.
- ◆ Jos virtajohto vahingoittuu, sen vaihtaminen tulee turvallisuussyistä jättää valmistajan tai valtuutetun Black & Decker -huollon tehtäväksi.
- ◆ Älä altista laturia vedelle.
- ◆ Älä avaa laturia.
- ◆ Älä työnnä mitään laturin sisään.
- ◆ Lataa laite/työkalu/akku paikassa, jossa on kunnollinen ilmanvaihto.



Laturi on tarkoitettu ainoastaan sisäkäyttöön.



Lue käyttöohjeet huolellisesti ennen laitteen käyttöä.

## Sähköturvallisuus



Laturi on kaksoeristetty, joten erillistä maadoitusta ei tarvita. Tarkista aina, että verkkojännite vastaa arvokilvessä ilmoitettua jännitettä. Älä yritä korvata laturiyksikköä tavallisella verkkopistokkeella.

- ◆ Jos virtajohto vahingoittuu, sen vaihtaminen on turvallisuussyistä jätettävä valmistajan tai valtuutetun Black & Decker -huollon tehtäväksi.

## Yleiskuvaus

Tässä laitteessa on kaikki tai joitakin seuraavista ominaisuuksista.

1. Turva-avain
2. Kahva
3. Itsekulun kahva
4. Nopeudensäätövipu
5. Työntöaisa
6. Jousitettu takaluukku
7. Työntöaisan säätönuppi
8. Työntöaisan kiinnityspultit
9. Akkupidike
10. Akkuvipu
11. Irrotettava akku
12. Tarvepohjaisen silppuamisen nuppi
13. Leikkauskorkeuden vipu
14. Leikkauskorkeuden osoitin
15. Ruohonkeräyspussi

## Kokoaminen

**Varoitus!** Varmista ennen kokoamista, että virta on katkaistu ja että virtajohto on irti pistoraslasta.

## Pakkauksen purkaminen (kuvat A ja B)

**Varoitus!** Puristumiskohta – estä sormien jääminen puristuksiin pitämällä ne poissa kahvan ja levyjen väliseltä alueelta.

- ◆ Leikkaa aisan vastakkainen sivu pakkauksesta auki ja käännä se alas kuvan osoittamalla tavalla.
- ◆ Kun pakkauksen sivu on leikattu auki, poista pahvinen kuljetustuki, laturi, tarvikepussi ja ruohonkeräyspussi ja työnnä ruohonleikkuri ulos avatusta pakkauksesta.

**Varoitus!** Terävä pyörivä terä. Pidä kädet ja jalat riittävän kaukana terästä.

## Työntöaisan kokoaminen (kuva C)

Kokoamiseen tarvittavat työkalut, eivät sisälly toimitukseen: säädettävä tai 1/2 tuuman (13 mm:n) jakoavain.

- ◆ Aseta työntöaisa niin, että työntöaisan (5) reiät ovat levyn (16) reikiä vasten. Työntöaisan pikasäätönupit (7) ovat tällöin sivulevyn (16) yläreikiä vasten.
- ◆ Työnnä työntöaisan kiinnityspultit (8) työntöaisan (5) reikien läpi ja kierrä ne levyn (16). Toista toimenpiteet toisella puolella ennen kiinnityspulttien kiristämistä.
- ◆ Kiristä työntöaisan kiinnityspultit (8) säädettävällä tai 1/2 tuuman (13 mm:n) jakoavaimella.
- ◆ Tarkista työntöaisan sopiva korkeus kahvan säätöohjeista. Älä työnnä tai käytä ruohonleikkuria, ennen kuin työntöaisa on kiinnitetty asianmukaisesti ruohonleikkuriin.

**Varoitus!** Puristumiskohta – estä sormien jääminen puristuksiin pitämällä ne poissa kahvan (5) ja levyjen (16) väliseltä alueelta.

## Työntöaisan säätäminen (kuva D)

Ruohonleikkurissa on säädettävä työntöaisa. Säädä aisa itsellesi sopivaksi seuraavia ohjeita noudattamalla.

- ◆ Pitele työntöaisaa (5) yhdellä kädellä, vedä yksi työntöaisan säätönuppi (7) ulos ja kierrä sitä neljänneskierroksen verran, jolloin tappi irtoaa metallilevyn reistä.
- ◆ Toista toimenpide toisella puolella. Nyt työntöaisa (5) voidaan siirtää vapaasti toiseen korkeusasentoon.
- ◆ Siirrä työntöaisa haluamaasi korkeusasentoon.
- ◆ Vedä yksi työntöaisan säätönuppi (7) ulos ja kierrä sitä neljänneskierroksen verran, jolloin tappi napsahtaa metallilevyn reikään. Toista toimenpide toisella puolella.

## Ruohonkeräyspussin kokoaminen (kuvat E ja F)

- ◆ Työnnä ruohonkeräyspussi (15) kehikkoon (17).
- ◆ Kiinnitä ruohonkeräyspussin yläkiinnikkeet kehikkoon.
- ◆ Kiinnitä kaksi sivukiinnikettä ja alakiinnike kehikkoon.



## Pyöräkorkeuden säätäminen (kuvat G ja H)

Tässä ruohonleikkurissa on Black & Deckerin kehittämä yhden kosketuksen pyöräkorkeuden säätömekanismi. Tämä mekanismi säätää kaikki pyörät samanaikaisesti.

Leikkurissa on seitsemän vaihtoehtoista leikkauskorkeuden asentoa (38–89 mm). Katso ruohonleikkurin etuosassa olevaa asteikkoa ja osoitinta. Osoitin ilmaisee ruohonleikkauksessa käytettävän korkeusasetuksen. Käytä samaa asetusta, kun myöhemmin haluat leikata ruohon saman mittaiseksi.

- ◆ Sammuta ruohonleikkuri vapauttamalla kahva (3), odota, kunnes terä pysähtyy, ja irrota sitten turva-avain (1).
- ◆ Kun haluat nostaa tai laskea leikkauskorkeutta, aseta kämmen käsituelle (18), purista sormilla vapautinta (19) ylöspäin ja pidä siinä.
- ◆ Samalla kun puristat vapautinta (19), nosta tai laske leikkauskorkeutta tarpeen mukaan. Leikkauskorkeuden osoitin näyttää käytössä olevan asetuksen (kuva H).
- ◆ Kun korkeus on sopiva, pidä ruohonleikkuria paikallaan tarttumalla vasemmalla kädellä oikeanpuoleisen aisan alaosasta ja lukitse korkeussäätö irrottamalla ote vapautimesta (19).

**Huomautus:** Varmista ruohonleikkurin lukkiutuminen valitulle leikkauskorkeudelle painamalla käsituesta sen jälkeen kun olet irrottanut otteesi vapautimesta.

## Akun irrottaminen ja kiinnittäminen (kuvat I ja K)

Akun (11) voi irrottaa ruohonleikkurista varastointia ja latausta varten. Akun voi myös ladata sen ollessa paikallaan.

### Ennen kuin irrotat akun:

- ◆ Siirrä ruohonleikkuri tasaiselle alustalle.
- ◆ Sammuta ruohonleikkuri vapauttamalla kahva (3), odota, kunnes terä pysähtyy, ja irrota sitten turva-avain (1).

### Akun irrottaminen

- ◆ Nosta akun vipua (10), jolloin akkupidike (9) aukeaa, ja vedä pidikettä akusta pois. Nosta akku pois.

### Akun kiinnittäminen

Ennen kuin asennat akun paikalleen, puhdista ruohonleikkuri roskista ja varmista, että latausliitin (20) on irrotettu akusta (11).

- ◆ Työnnä akku laturiin. (Akku sopii paikalleen vain yhdellä tavalla.)
- ◆ Lukitse akku paikalleen ruohonleikkuriin vetämällä pidike (9) akun (11) reunan yli ja painamalla akkuvipua (10), kunnes se napsahtaa paikalleen.

## Käyttö

**Varoitus!** Anna laitteen käydä omaan tahtiinsa. Älä ylikuormita sitä.

## Akun lataaminen (kuvat J–L)

**Huomautus:** Lataa akku ennen ensimmäistä käyttökertaa.

Akun voi irrottaa ruohonleikkurista latausta varten, mutta sen voi myös ladata paikallaan leikkurissa.

- ◆ Sammuta ruohonleikkuri vapauttamalla kahva (3), odota, kunnes terä pysähtyy, ja irrota sitten turva-avain (1).
- ◆ Sovita vihreä (+) ja valkoinen (-) liitin kohdakkain ja työnnä latauspistoke (20) ruohonleikkurin latausliitäntään (22) tai irrota akku ja työnnä latauspistoke (20) akussa olevaan latausliitäntään (21).
- ◆ Latauspistoke (20) sopii ruohonleikkurin latausliitäntään vain yhdessä asennossa.
- ◆ Työnnä laturin 240 voltin pistoke verkkovirran pistorasiaan (kuva L).
- ◆ Laturin (24) punainen merkkivalo (26) osoittaa, että akun lataus on käynnissä. Jos punainen merkkivalo ei syty, tarkista, että latausliitin on oikein päin.
- ◆ Latauksen päätyttyä punainen merkkivalo (26) sammuu ja vihreä valo syttyy.

Aivan tyhjän akun lataaminen kestää noin 16 tuntia.

On suositeltavaa jättää akku latautumaan käyttökertojen välillä, jotta se olisi aina täydessä toimintakunnossa koko käyttökauden ajan.

Ruohonleikkurin mukana toimitettu laturi on tarkoitettu kytkettäväksi niin, että se on oikein päin sekä vaaka- että pystyasennossa.

## Varustilan merkkivalo (kuva K)

Akussa on varaustilan merkkivalo. Sen avulla voit tarkistaa akun varaustilan käytön aikana.

- ◆ Tarkista varaustila painamalla painiketta (23).

## Turva-avain

Irrota turva-avain seuraavissa tilanteissa:

- ◆ Aina kun ruohonleikkuri jää valvomatta.
- ◆ Ennen kuin aloitat tukosten puhdistamisen.
- ◆ Ennen leikkurin tarkastusta, puhdistusta, huoltoa tai säätöä.
- ◆ Kun ruohonleikkuri on osunut johonkin.
- ◆ Kun leikkuri tärisee tavalla, joka ei ole normaalia.

## Käynnistäminen ja pysäyttäminen

**Varoitus!** Terävä pyörivä terä. Älä koskaan yritä ohittaa tämän kytkimen ja turva-avaimen toimintaa. Muutoin seurauksena voi olla vakaviakin vammoja.

### Käynnistäminen (kuva M)

- ◆ Työnnä turva-avain (1) kokonaan kytkinkoteloon.
- ◆ Paina kytkinkotelon sivussa olevaa painiketta (27).
- ◆ Paina teräkahva (3) työntöaisaa (5) vasten.

### Pysäyttäminen (kuva M)

- ◆ Ruohonleikkuri sammutetaan vapauttamalla teräkahva (3).

Alkuasettoon palautuessaan kahva (3) aktivoi automaattisen jarrutusmekanismin. Moottorissa on sähköinen jarru, joka pysäyttää terän pyörimisen kolmen sekunnin kuluessa.

## Muuttuvanopeuksinen itsekulkutoiminto (kuva M)

Ruohonleikkuri on varustettu muuttuvanopeuksisella itsekulku-toiminnolla. Itsekulkutoiminto on terän virtakytimestä riippumaton. Sitä voidaan käyttää siihen katsomatta, pyörivätkö terät vai eivät. Voit esimerkiksi ruohon leikkaamisen jälkeen siirtää ruohonleikkurin takaisin säilytyspaikkaansa terän moottorin käymättä.

### Kun terä ei pyöri, voit käyttää itsekulkutoimintoa seuraavasti:

- ◆ Työnnä turva-avain (1) kokonaan kytkinkoteloon.
- ◆ Paina itsekulun kahva (2) työntöaisaa (5) vasten.
- ◆ Itsekulku poistetaan käytöstä vapauttamalla itsekulun kahva.

**Huomautus** Itsekulku on muuttuvanopeuksinen. Voit valita nopeuden valintavivulla (4). Kun siirrä valintavipua eteenpäin, nopeutta lisätään. Kun siirrä valintavipua vastakkaiseen suuntaan, nopeutta vähennetään.

### Kun terä pyörii, voit käyttää itsekulkutoimintoa seuraavasti:

- ◆ Työnnä turva-avain (1) kokonaan kytkinkoteloon.
- ◆ Paina kytkinkotelon sivussa olevaa painiketta (27) ja paina sitten teräkahva (3) työntöaisaa (5) vasten.
- ◆ Pidä teräkahvaa oikealla kädelläsi painettuna työntöaisaa vasten. Paina itsekulun kahva (2) vasemmalla kädelläsi työntöaisaa (5) vasten.
- ◆ Voit pitää molempia kahvoja vasemmalla kädelläsi painettuina työntöaisaa vasten.

**Huomautus** Kun poistat itsekulun esimerkiksi rivin lopussa käytöstä, se voi väliaikaisesti lukkiutua, jos vedät ruohonleikkuria taaksepäin. Työnnä tällöin ruohonleikkuria hieman eteenpäin ja siirrä sitä tarpeen mukaan.

**Huomautus** Ruohonleikkuriin voi olla joskus helpompaa kiertää esineet, kuten puut tai kasvit, itsekulku poistettuna käytöstä. Ruohonleikkuria on helppo käsitellä, kun itsekulku on poistettu käytöstä.

## Tarvepohjainen silppuaminen (kuvat N ja O)

Ruohonleikkuri on varustettu tarvepohjaisella toiminnolla, joka mahdollistaa silpun keräämisen pussiin tai poistamisen nuppia kiertämällä.

- ◆ Sammuta ruohonleikkuri vapauttamalla kahva (3), odota, kunnes terä pysähtyy, ja irrota sitten turva-avain (1).

### Poistotila:

- ◆ Irrota ruohonkeräyspussi.
- ◆ Varmista, että takaluukku on kunnolla kantta vasten.
- ◆ Paina ja käännä tarvepohjaista nuppia niin, että se on sanan DISCHARGE kohdalla (kuva N).

**Huomautus** Ruohonleikkuri on nyt takapoistotilassa. Leikattu ruoho poistetaan nurmikolle suljetun luukun alle.

### Pussitilasta:

- ◆ Asenna ruohonkeräyspussi.
- ◆ Varmista, että takaluukku on kunnolla ruohonkeräyspussin yläosaa vasten.
- ◆ Paina ja käännä tarvepohjaista nuppia niin, että se on sanan BAG kohdalla (kuva N).

**Huomautus** Ruohonleikkuri on nyt pussitilassa. Jos haluat siirtyä takapoistotilaan, irrota ruohonkeräyspussi.

### Silppuamistila:

- ◆ Voit siirtyä silppuamistilaan painamalla ja kääntämällä tarvepohjaista nuppia niin, että se on sanan MULCH kohdalla (kuva O). Ruohonleikkuri on nyt silppuamistilassa.

**Huomautus** Jos tarvepohjaista nuppia on vaikea kääntää, kannen poistoaukko on mahdollisesti puhdistettava.

- ◆ Sammuta ruohonleikkuri vapauttamalla teräkahva ja odota, kunnes terä on täysin pysähtynyt. Irrota sen jälkeen turva-avain ja akku.
- ◆ Pidä takaluukku auki ja poista kannen poistoaukossa mahdollisesti olevat roskat. Puhdista tarvittaessa myös kannen pohja.

## Ruohonkeräyspussin asentaminen (kuvat P ja Q)

- ◆ Sammuta ruohonleikkuri vapauttamalla teräkahva (3), odota, kunnes terä pysähtyy, ja irrota sitten turva-avain (1).
- ◆ Avaa jousitettu takaluukku (6) pystyasentoon ja pidä sitä auki.
- ◆ Tartu keräyspussin (15) kahvaan (29) ja asenna ruohonkeräyspussi paikalleen aisojen väliin.
- ◆ Sovita ruohonkeräyspussin ripustinkoukut ruohonleikkurin runkoon (kuva Q).
- ◆ Vapauta takaluukku (6).

## Vinkejä parhaimman tuloksen saavuttamiseksi

Nurmikko leikataan ensimmäisen kerran keväällä, kun ruohon pituus on noin 63–76 mm. Liian aikainen leikkaaminen hidastaa keväisin uudistuvan juuriston kehittymistä. Uusi nurmikko voidaan leikata, kun sen pituus on noin 63 mm.

Älä leikkaa liian paljon ruohokasvustosta kerralla. Sopiva mitta on enintään 1/3 ruohon kokonaispituudesta. Liian lyhyeksi leikkaaminen vahingoittaa ruohoa, jolloin se ei jaksa kehittää riittävän voimakasta juuristoa, mikä vaikeuttaa ruohon vedensantia.

Leikkaa nurmikko kuivalla säällä, ettei leikkusuilppu paakkuuntuisi. Myöhäinen iltapäivä on ihanteellinen ajankohta ruohonleikkuulle, koska nurmikko on kuiva eikä vastaleikkattu kasvusto altistu heti kuumalle auringon paahteelle.

Siisti leikkausjälki edellyttää, että leikkuuterä on terävä. Terävä terä parantaa leikkurin suorituskykyä ja jättää siistin leikkujäljen. Tylsä terä murskaa ja silpoo ruohon katkaisukohdan. Se hidastaa nurmen uusiutumista ja altistaa kasvuston taudinaiheuttajille. Murskautuneet ruohonkärjet muuttuvat ruskeiksi, jolloin nurmikko ei enää näytä täysin terveeltä. Tylsä terä voi myös nyhtää nuoria versoja ylös juurineen.

Nurmikon leikkauskorkeus kannattaa pitää muuttumattomana. Vaikka kasvukauden edetessä leikkauskorkeutta joudutaan joskus muuttamaan, tasainen, muuttumaton leikkauskorkeus on yleensä tae kauniille nurmikolle, jossa rikkakasvusto ei pääse valtaan. Leikkaa nurmikko usein, kun ruohon kasvu on nopeaa. Kun ruoho leikataan riittävän usein, mahdolliset heikkokasvuiset alueet eivät erotu.

Jos nurmikko vaikkapa loman aikana on päässyt venähtämään pitkäksi, nosta leikkausasettoa pykälä tai pari normaalia ylemmäksi. Toinen ajo pari päivää myöhemmin normaalilla korkeudella palauttaa nurmikon ennalleen. Leikkauskorkeuden muuttaminen käy vaivattomasti Black & Deckerin yhden kosketuksen säätömekanismilla, joka säätää kaikki neljä pyörää kerralla.

Keväällä, syksyllä ja tavallista pidemmän leikkaustauon jälkeen nurmi on yleensä normaalia pidempää ja tiheämpää. Jos moottorin käynti jatkuvasti hidastuu leikatessa, nosta leikkauskorkeutta. Moottorin liiallinen kuormitus voi johtaa epätasaiseen leikkujälkeen, akun nopeaan tyhjenemiseen ja moottorin pysäyttävään ylikuormitukseen.

Nurmikko pysyy näyttävän näköisenä seuraavin keinoin. Vaihda ajosuuntaa usein, mutta leikkaa rinteet kuitenkin vaakasuuntaisesti (turvallisuuden vuoksi) ja muista limittää jokainen leikkukaista osittain edellisen päälle.

Anna leikatun ruohosilpun levitä tasaisesti leikatulle nurmikolle. Nurmi näyttää tuoreen vihreältä, kun sinne ei kerry ajan oloon ruskeaksi muuttuvaa paakkuuntunutta ruohosilppua. Tämä osaltaan säästää akkua ja siis varmistaa, että Black & Deckerin johdoton ruohonleikkuri toimii mahdollisimman tehokkaasti.

Keväällä ja syksyllä, kun ruoho on pitkää ja paksua, voit käyttää ruohonleikkuria vaikka akku ei olisi ladattu aivan täyteen (jolloin varauksen vihreä merkkivalo palaa). Tällöin voit leikata tavallista pienemmän alueen kerrallaan. Ei kuitenkaan ole suositeltavaa toimia kovin usein tällä tavoin. Ruohonleikkuri toimii parhaiten, kun akku on ladattu täyteen.

## Ruohonleikkauksinkejä

**Huomautus** Tarkasta ruohonleikkurin aiottu käyttöalue ja poista siitä kivet, puunpalaset, johdot, luut ja muut esineet, joita pyörivä terä voisi heittää.

- ◆ Leikkaa ruoho rinteessä poikittain, ei ylhäältä alas tai päinvastoin. Ole erityisen varovainen vaihtaessasi suuntaa rinteessä. Älä työskentele liian jyrkissä rinteissä. Pidä huoli, että jalat ovat tukevasti maassa.
- ◆ Sammuta ruohonleikkuri ja pysäytä terä vapauttamalla kahva (3), ennen kuin ylität sorapintaisen alueen, ettei pyörivä terä lennättäisi kiviä.
- ◆ Säädä leikkauskorkeus ylipään asentoon, jos maasto on hyvin epätasaista tai heinikko pitkää. Jos ruohoa leikataan kerralla liikaa, moottori ylikuormittuu ja pysähtyy. Katso vianimääritysohjeita.

Jos ruohonkeräyspussia (15) käytetään ruohon nopeimmalla kasvukaudella, ruohosilppu voi vähitellen tukkia poistoaukon.

- ◆ Sammuta ruohonleikkuri vapauttamalla kahva (3) ja irrota turva-avain (1).
- ◆ Irrota ruohonkeräyspussi (15) ja ravista ruohosilppu pussin perälle.
- ◆ Puhdista poistoaukon reunoille pakkautunut ruohosilppu.
- ◆ Asenna ruohonkeräyspussi (15) takaisin paikalleen.

Jos ruohonleikkuri alkaa täristä epänormaalisti:

- ◆ Sammuta ruohonleikkuri välittömästi vapauttamalla kahva (3) ja irrota sitten turva-avain (1) ja akku (11).
- ◆ Selvitä tärinän aiheuttaja. Tärinä on varoitus. Älä käytä ruohonleikkuria, ennen kuin huoltotarkastus on tehty. Käytä apuna käyttöoppaan vianmääritysohjeita.

**Huomautus** Sammuta ruohonleikkuri vapauttamalla kahva ja irrota turva-avain aina, kun ruohonleikkuri jää valvomatta vähäksikin aikaa.

Seuraava ohjeet auttavat tehostamaan johdottoman ruohonleikkurin käyttöä.

- ◆ Hidasta vauhtia paikoissa, joissa ruoho on tavanomaista pidempää tai paksumpaa.
- ◆ Jos ruoho silputaan leikkurin alle, vältä lyhentämistä ruohoa yli 38 mm yhdellä ajokerralla.
- ◆ Älä leikkaa märkää nurmikko.
- ◆ Leikkaa ruoho riittävän usein erityisesti nopeimman kasvukauden aikana.

**Huomautus** Suosittelemme ruohonleikkurin lataamista jokaisen käyttökerran jälkeen. Usein toistuva lataaminen ei vahingoita akkua. Samalla varmistat, että akussa on aina täysi varaus.

### Alle silppuavan ruohonleikkauksen vinkkejä

Kun ruoho silputaan alle, leikkuri katkoo ruohon lyhyiksi pätkiksi ja levittää ne takaisin nurmikolle. Normaalioloissa silputtu ruoho hajoaa nopeasti ja siten lannoittaa kasvavaa nurmea.

Suosituksia parhaan silppuamistuloksen saavuttamiseksi

- ◆ Älä leikkaa märkää nurmikko. Märkä ruoho paakkuuntuu. Se haittaa silpun tasaista levittämistä ja hidastaa leikkaamista. Paras ruohonleikkauksen ajankohta on iltapäivä, jolloin ruoho on kuivaa ja vastaleikattu nurmikko ei joudu auringon kuumaan pahteeseen.
- ◆ Paras tulos saavutetaan, kun ruohonleikkuri säädetään leikkaamaan noin kolmasosa ruohon pituudesta, mielellään ei enempää kuin 38 mm yhdellä kerralla. Jos ruoho on ylipitkää, leikkaustaso kannattaa säätää korkeaksi nurmikon vastuksen vähentämiseksi. Siten estetään moottorin ylikuormittuminen.

- ◆ Jos alle silppuava leikkaaminen on hyvin raskasta, säädä leikkaustaso ensin korkeaksi ja viimeistele normaaliko- rkeudella. Vaihtoehtoisesti voit leikata kapeita kaistoja ja edetä hitaasti.

Leikkaustulos säilyy hyvänä, kun ruohonleikkuri puhdistetaan sinne kertyvästä ruohosta.

- ◆ Sammuta ruohonleikkuri vapauttamalla kahva (3) ja odota, kunnes terä on täysin pysähtynyt.
- ◆ Irrota turva-avain (1) ja akku (11) ja kallista ruohonleikkuri kyljelleen.
- ◆ Puhdista terän ympärille kertynyt ruohosilppu tylsällä kaapimella. Varo terävää terää. Rehevä ruoho vaatii puhdistusta useammin kuin kuiva. Puhdista jokaisen käyttökerran jälkeen.

Tietyn tyyppinen ruoho voi vaatia kaksi peräkkäistä alle silppuavaa leikkauksetta, ennen kuin ruohosilppu on levinnyt tasaisesti nurmikolle.

Jos joudut leikkaat toisen kerran, vaihda leikkaussuunta kohtisuoraan ensimmäiseen ajoon nähden. Ei kuitenkaan siinä tapauksessa, että joutuisit etenemään alamäkeen.

- ◆ Vaihda leikkauksuviito viikoittain. Tämä estää nurmikon lakoontumisen.

### Huolto

Verkkojohdolla varustettu tai verkkojohdoton Black & Decker -laite/-työkalu on suunniteltu toimimaan mahdollisimman kauan mahdollisimman vähällä huollolla. Oikealla huollolla ja säännöllisellä puhdistuksella työkalu/laite säilyttää suorituskykynsä.

Laturi ei tarvitse säännöllisen puhdistamisen lisäksi mitään muuta huoltoa.

**Varoitus!** Toimi ennen verkkojohdolla varustetun tai verkkojohdottoman sähkötyökalun huoltoa seuraavasti:

- ◆ Sammuta laite/työkalu ja irrota se verkkovirrasta.
- ◆ Jos laitteessa/työkalussa on erillinen akku, sammuta laite/työkalu ja irrota sen akku.
- ◆ Jos akku on kiinteä, käytä akku täysin loppuun ja sammuta laite/työkalu sitten.
- ◆ Irrota laturi pistorasiasta ennen laturin puhdistamista. Laturi ei tarvitse säännöllisen puhdistamisen lisäksi mitään muuta huoltoa.
- ◆ Puhdista työkalun, laitteen ja laturin ilma-aukot säännöllisesti pehmeällä harjalla tai kuivalla kangasliinalla.

- ◆ Puhdista moottorikotelo säännöllisesti kostealla liinalla. Älä koskaan käytä puhdistamiseen liuotainaineita tai syövyttäviä puhdistusaineita.
- ◆ Poista ruoho ja lika suojuksen alta säännöllisesti tylpällä kaapimella.

## Terän irrottaminen ja kiinnittäminen (kuvat R ja S)

**Varoitus!** Älä koske terään, ennen kuin turva-avain on irrotettu ja terä on täysin pysähtynyt.

- ◆ Sammuta ruohonleikkuri vapauttamalla kahva (3), odota kunnes terä pysähtyy ja irrota sitten turva-avain (1).
- ◆ Leikkaa sopiva puupalikka (noin 50 mm x 100 mm x 600 mm), jolla estetään terän pyöriminen laippamutteria avattaessa.
- ◆ Käännä ruohonleikkuri kyljelleen.

**Varoitus!** Käytä käsineitä ja suojalaseja. Varo leikkurin terävää terää.

- ◆ Aseta puupalikka (32) paikalleen ja irrota laippamutteri (30) 19 mm:n avaimella (31) (kuva R).
- ◆ Irrota nelikulmainen metallialuslevy (37), nelikulmainen muovieristin (33) ja terä (34) (kuva S). Tarkista terän eristysrenkaan (35) kunto ja vaihda tarvittaessa.

Huomioi terää asentaessasi, että sen ruohonleikkupuoli on alaspäin sitten, kun ruohonleikkuri käännetään normaaliasentoon.

- ◆ Aseta terän asennusvaiheessa eristysrenkas (35) niin, että sen toisella puolella oleva korotettu huullos tulee terää (34) vasten.
- ◆ Aseta terän välirengas (36) niin, että se menee eristysrenkaan (35) toisella puolella olevan korokehulloksen sisään. Kohdistista terän välirengaan (36) keskiaukon suorat sivut terää ja välirengasta pyörittävän akselin vastaaviin tasopintoihin.
- ◆ Aseta puupalikka (32) estämään terän pyöriminen (kuva R).
- ◆ Kiinnitä laippamutteri (30) nelikulmaista metallialuslevyä (37) vasten ja kiristä.

## Terän teroittaminen (kuva T)

Terävä terä leikkaa ruohoa parhaiten. Tylsä terä ei leikkaa tai silppua ruohoa siististi.

**Varoitus!** Tarkista, että turva-avain on irrotettu.

**Varoitus!** Käytä suojalaseja, kun irrotat, teroitat ja kiinnität terää.

Normaalioloissa yleensä riittää, kun terä teroitetaan kaksi kertaa kesässä. Hiekka tylsyyttää terän nopeasti. Jos ruoho kasvaa hiekkamaassa, terää voi joutua teroittamaan useammin.

- ◆ Vaihda vääntyneen tai vahingoittuneen terän tilalle uusi.

## Terän teroittamisessa huomioitavaa

- ◆ Varmista, että terän tasapaino säilyy.
- ◆ Säilytä terän alkuperäinen teroituskulma.
- ◆ Teroitte leikkaavat kohdat terän molemmin puolin ja poista metallia saman verran molemmilta puolilta.

## Terän teroittaminen ruuvipenkissä (kuva T)

- ◆ Sammuta ruohonleikkuri vapauttamalla kahva (3) ja odota, kunnes terä on täysin pysähtynyt.
- ◆ Irrota turva-avain (1) ja akku (11) ja kallista ruohonleikkuri kyljelleen.
- ◆ Irrota ruohonleikkurin terä (34). Katso terän irrotus- ja kiinnitysohjeita.

**Varoitus!** Käytä suojalaseja ja käsineitä ja varo terävää terää.

- ◆ Kiinnitä terä (34) ruuvipenkkiin.
- ◆ Viilaa terän leikkauspinnat hienolla viilalla tai hio hio-makivellä. Säilytä alkuperäinen leikkauskulma.
- ◆ Säilytä terän tasapaino. Katso terän tasapainutusohjeita.
- ◆ Asenna terä (34) ruohonleikkuriin ja kiristä kunnolla. Katso terän irrotus- ja kiinnitysohjeita.

## Terän tasapainottaminen (kuva U)

- ◆ Tarkista tasapaino asettamalla terä kiinnitysreikästään pyöreään naulaan tai ruuviavaimeen, joka on kiinnitetty ruuvipenkkiin vaaka-asentoon. Jos terän kumpi tahansa pää kallistuu alas, viilaa sitä päätä, kunnes terä pysyy tasapainossa.

## Voitelu

Voitelu ei ole tarpeen. Älä voitele pyöriä. Niiden muoviset laakeripinnat eivät vaadi voitelua.

## Puhdistaminen

- ◆ Sammuta ruohonleikkuri vapauttamalla kahva (3) ja odota, kunnes terä on täysin pysähtynyt.
- ◆ Irrota turva-avain (1).
- ◆ Käytä ruohonleikkurin puhdistamiseen vain mietoa pesuainetta ja kosteaa kangasta.
- ◆ Irrota ruohonleikkurin alapintaan mahdollisesti tarttunut leikkuaite jollakin tylsällä työkalulla.
- ◆ Tarkista useiden käyttökerrojen jälkeen kiinnikkeiden pitävyyys.

## Korroosion estäminen

Lannoitteet ja muut puutarhakemikaalit sisältävät aineita, jotka nopeuttavat metallien korroosiota. Jos ruohonleikkurin käyttöalueelle on levitetty lannoitteita tai kemikaaleja, ruohonleikkuri on puhdistettava heti käytön jälkeen seuraavasti.

- ◆ Sammuta ruohonleikkuri vapauttamalla kahva (3) ja odota, kunnes terä on täysin pysähtynyt.
- ◆ Irrota turva-avain (1).
- ◆ Pyyhi lannoitteelle altistuneet osat kostealla rievulla.

## Kuljetus ja varastointi

**Varoitus!** Pyörivä terä voi aiheuttaa vakavia vammoja. Sammuta ruohonleikkuri vapauttamalla kahva ja irrota turva-avain ennen ruohonleikkurin nostoa, siirtoa tai varastointia. Säilytä kuivassa paikassa.

**Huomautus:** Ruohonleikkurin nostamista voi helpottaa poistamalla akku ennen nostoa. Ruohonleikkuria ei saa nostaa salvasta.

## Varastoiminen käyttökauden ulkopuolella

Lämpimässä ilmastossa parhaan suorituskyvyn ylläpitämiseksi akkua suositellaan pidettäväksi jatkuvasti latauksessa.

Akku voidaan varastoida laturi irrotettuna seuraavissa olosuhteissa.

- ◆ Akku on ladattu täyteen ennen varastointia.
- ◆ Varaston lämpötila on alle 10 °C.

## Ympäristönsuojelu



Erillinen keräys. Tätä tuotetta ei saa hävittää normaalin kotitalousjätteen mukana.

Kun Black & Decker -laitteesi aikanaan täytyy vaihtaa tai ei kelpaa enää käyttöön, älä hävitä laitetta kotitalousjätteen mukana. Toimita laite kierrätettäväksi.



Käytettyjen tuotteiden ja pakkausmateriaalien erilliskeruun avulla materiaalit voidaan kierrättää ja käyttää uudelleen.

Kierrätysmateriaalien käyttö auttaa vähentämään ympäristön saastumista ja uusien raaka-aineiden tarvetta.

Paikallisissa säädöksissä voidaan määrätä, että kodin sähkötuotteiden keruu tapahtuu kaupunkien jätteidenkäsittelyasemilla tai laitteita myyvissä liikkeissä uuden tuotteen oston yhteydessä.

Kun laitteesi on käytetty loppuun, älä hävitä sitä tavallisten roskien mukana. Vie tuotteesi valtuutettuun huoltoliikkeeseen, joka kerää vanhat laitteet puolestamme.

Saat valtuutettujen huoltoliikkeiden yhteystiedot ottamalla yhteyden Black & Decker Oy:hyn tässä käyttöoppaassa ilmoitetussa osoitteessa. Valtuutettujen Black & Decker -huolto-liikkeiden yhteystiedot sekä lisätietoja palveluistamme ja takuuehdoista on myös Internetissä osoitteessa: [www.2helpU.com](http://www.2helpU.com)

## Akku



Hävitä loppuun kuluneet akut ympäristöstäväl-lisesti.

- ◆ Käytä akku täysin loppuun ja irrota se sitten työkalusta.
- ◆ NiCd-, NiMH- ja Li-Ion-akut ovat kierrätettäviä. Pakkaa akut niin, että navat eivät aiheuta oikosulkuja. Voit viedä akut mihin tahansa valtuutettuun huoltoliikkeeseen tai paikalliseen kierrätyskeskukseen.
- ◆ Käsittele akkua niin, että navat eivät joudu oikosulkuun.
- ◆ Älä yritä polttaa akkua, sillä se voi aiheuttaa henkilövahingoja tai räjähtää.

## Tekniset tiedot

		GRC4736SD H 1
Tulojännite	V <sub>DC</sub>	36
Kuormittamaton nopeus	min <sup>-1</sup>	3300
Paino	kg	41
Akku		A1236
Jännite	V <sub>dc</sub>	36
Kapasiteetti	Ah	12
Tyyppi		Lyijyhappo
Laturi		905521** tyyppi 1
Tulojännite	V <sub>AC</sub>	220 - 240
Lähtöjännite	V <sub>DC</sub>	36
Virta	mA	800
Arvioitu latausaika	h	16

Käteen kohdistuva painotettu värinäarvo standardin EN 786 mukaisesti:

$= < 2.5 \text{ m/s}^2$ , epätarkkuus (K) =  $1.5 \text{ m/s}^2$ .

$L_{pA}$  (äänepaine) 79 dB(A)

epätarkkuus (K) = 2 dB(A)

## EY-vaatimustenmukaisuusvakuutus

KONEDIREKTIIVI

ULKOILMAMELUDIREKTIIVI



GRC4736SD

Black & Decker ilmoittaa, että tuotteet, jotka on kuvattu kohdassa Tekniset tiedot, täyttävät seuraavien direktiivien vaatimukset:

2006/42/EY, EN 60335-1, EN 60335-2-91

2000/14/EY, Ruohonleikkuri, L < 50 cm, Liite VI,  
DEKRA Certification B.V., Utrechtseweg 310, ED Arnhem  
Netherlands

Ilmoitetun elimen tunnusnumero: 0344

Akustisen tehon taso direktiivin 2000/14/EY  
(artikla 12, liite III, L ≤ 50 cm) mukaisesti:

$L_{WA}$  (mitattu ääniteho) 93 dB(A)

epätarkkuus (K) = 2 dB(A)

$L_{WA}$  (taattu ääniteho) 95 dB(A)

epätarkkuus (K) = 2 dB(A)

Nämä tuotteet täyttävät myös direktiivin 2004/108/EY &  
2011/65/EU vaatimukset.

Lisätietoja saa ottamalla yhteyden Black & Deckeriin seuraavassa osoitteessa. Tiedot ovat myös käyttöoppaan takakannessa.

Allekirjoittanut vastaa teknisten tietojen kokoamisesta ja antaa tämän ilmoituksen Black & Deckerin puolesta.

Kevin Hewitt

Vice-President Global Engineering

Black & Decker Europe, 210 Bath Road, Slough,  
Berkshire, SL1 3YD

Yhdistynyt kuningaskunta

01-10-2009

## Takuu

Black & Decker takaa, ettei tuotteessa ole materiaali- ja/tai valmistusvikaa silloin, kun se toimitetaan ostajalle. Takuu on lisäys kuluttajan laillisiin oikeuksiin eikä vaikuta niihin. Takuu on voimassa Euroopan unionin jäsenmaissa ja Euroopan vapaakauppa-alueella (EFTA).

Mikäli Black & Decker -tuotteessa ilmenee vika materiaali- ja/tai valmistusvirheen tai teknisten tietojen epätarkkuuden vuoksi 24 kk:n kuluessa ostopäivästä, Black & Decker takaa vaihtavansa vialliset osat, korjata tuotteet, jotka ovat altistuneet normaalille kulumiselle, tai vaihtaa tällaiset tuotteet varmistaakseen mahdollisimman vähäisen haitan syntymisen asiakkaalle:

- ◆ Tuotetta on käytetty kaupallisesti, ammattimaisesti tai vuokraukseen.
- ◆ Tuotetta on käytetty tai hoidettu virheellisesti.
- ◆ Tuotetta on vahingoitettu vieraalla esineellä tai aineella tai se on ollut onnettomuudessa.
- ◆ Jos korjauksia on yrittänyt joku muu kuin Black & Deckerin valtuuttama edustaja tai Black & Deckerin henkilökunta.

Edellytyksenä takuun saamiselle on, että ostaja jättää koneen ja ostokuitin jälleenmyyjälle tai valtuutetulle huoltoliikkeelle. Saat valtuutettujen huoltoliikkeiden yhteystiedot ottamalla yhteyden Black & Decker Oy:hyn tässä käyttöoppaassa ilmoitetussa osoitteessa. Valtuutettujen Black & Decker -huoltoliikkeiden yhteystiedot sekä lisätietoja palveluistamme ja takuuehdoista on myös Internetissä osoitteessa [www.2helpU.com](http://www.2helpU.com)

Voit rekisteröidä uuden Black & Decker -tuotteesi ja tarkastella tietoja uusista tuotteista ja erikoistarjouksista verkkosivuillemme [www.blackanddecker.fi](http://www.blackanddecker.fi). Saat lisätietoja Black & Deckerin tavaramerkistä ja tuotevalikoimastamme osoitteesta [www.blackanddecker.fi](http://www.blackanddecker.fi).

## Ενδεξιγμένη χρήση

Το χλοοκοπτικό Black & Decker έχει σχεδιαστεί για το κούρεμα του γκαζόν. Αυτό το εργαλείο προορίζεται μόνο για ερασιτεχνική χρήση.

## Οδηγίες ασφαλείας

**Προειδοποίηση!** Κατά τη χρήση μηχανών χωρίς καλώδιο, πρέπει πάντοτε να τηρούνται οι βασικές προφυλάξεις ασφαλείας, συμπεριλαμβανομένων των παρακάτω, για τον περιορισμό του κινδύνου πυρκαγιάς, ηλεκτροπληξίας, τραυματισμού προσώπων και υλικών ζημιών.

**Προειδοποίηση!** Κατά τη χρήση του χλοοκοπτικού, πρέπει να τηρούνται οι κανόνες ασφαλείας. Για τη δική σας ασφάλεια και των παρευρισκομένων, παρακαλούμε διαβάστε αυτές τις οδηγίες πριν χρησιμοποιήσετε το εργαλείο.

Παρακαλούμε φυλάξτε τις οδηγίες σε ασφαλές μέρος για μεταγενέστερη χρήση.

- ◆ Διαβάστε προσεκτικά όλο το περιεχόμενο αυτού του εγχειριδίου πριν χρησιμοποιήσετε τη συσκευή σας.
- ◆ Η ενδεξιγμένη χρήση περιγράφεται σε αυτό το εγχειρίδιο. Τόσο η χρήση εξαρτημάτων ή προσαρτημάτων όσο και η πραγματοποίηση εργασιών με τη συσκευή που δε συνιστώνται σε αυτό το εγχειρίδιο οδηγιών εγκυμονεί κίνδυνο τραυματισμού.
- ◆ Φυλάξτε αυτό το εγχειρίδιο για μελλοντική αναφορά.

## Χρήση της συσκευής σας

Πάντοτε προσέχετε κατά τη χρήση της συσκευής.

- ◆ Η συσκευή αυτή δεν προορίζεται για χρήση από νεαρά ή αδύναμα άτομα χωρίς επίβλεψη.
- ◆ Η συσκευή δεν πρέπει να χρησιμοποιείται σαν παιχνίδι.
- ◆ Μην επιτρέπετε σε παιδιά ή ζώα να πλησιάζουν το χώρο εργασίας ή να αγγίζουν τη συσκευή ή το καλώδιο τροφοδοσίας.
- ◆ Όταν η συσκευή χρησιμοποιείται κοντά σε παιδιά είναι απαραίτητη η στενή επίτηρηση.
- ◆ Να χρησιμοποιείται μόνο σε χώρο χωρίς υγρασία. Μην αφήνετε να βραχεί η συσκευή.
- ◆ Μην βυθίζετε τη συσκευή μέσα σε νερό.
- ◆ Μην ανοίγετε το περίβλημα του σώματος της συσκευής. Τα εξαρτήματα στο εσωτερικό δεν επιδέχονται επισκευή από το χρήστη.
- ◆ Μη χρησιμοποιείτε το εργαλείο σε περιβάλλον όπου υπάρχει κίνδυνος έκρηξης, π.χ. παρουσία εύφλεκτων υγρών, αερίων ή σκόνης.
- ◆ Για να βγάλετε το φως από την πρίζα μην τραβάτε ποτέ από το καλώδιο. Έτσι θα αποφύγετε τον κίνδυνο φθοράς του φως και του καλωδίου.

## Μετά τη χρήση

- ◆ Όταν δε χρησιμοποιείται, η συσκευή πρέπει να φυλάσσεται σε στεγνό, με καλό αερισμό χώρο, μακριά από παιδιά.
- ◆ Τα παιδιά δεν πρέπει να έχουν πρόσβαση σε αποθηκευμένες συσκευές.
- ◆ Όταν η συσκευή αποθηκεύεται ή μεταφέρεται μέσα σε όχημα πρέπει να τοποθετείται στο χώρο αποσκευών ή να στερεώνεται ώστε να μη μετακινείται σε διακόπτες απότομων μεταβολών της ταχύτητας ή της κατεύθυνσης του οχήματος.

## Έλεγχος και επισκευή

- ◆ Πριν από τη χρήση, ελέγξτε το εργαλείο σας για τυχόν κατεστραμμένα ή ελαττωματικά εξαρτήματα. Ελέγξτε αν υπάρχουν σπασμένα εξαρτήματα, ζημιά σε διακόπτες και οτιδήποτε άλλο που μπορεί να επηρεάσει τη λειτουργία της.
- ◆ Μη χρησιμοποιείτε τη συσκευή εάν οποιοδήποτε εξάρτημα είναι κατεστραμμένο ή ελαττωματικό.
- ◆ Φροντίστε να γίνει η επισκευή ή η αντικατάσταση των τυχόν ελαττωματικών εξαρτημάτων από εξουσιοδοτημένο κέντρο επισκευών.
- ◆ Μην επιχειρήσετε ποτέ να αφαιρέσετε ή να αντικαταστήσετε οποιοδήποτε εξάρτημα, εκτός από αυτά που καθορίζονται σε αυτό το εγχειρίδιο.

## Συμπληρωματικές οδηγίες ασφαλείας για τα χλοοκοπτικά

- ◆ Κρατάτε γερά τη χειρολαβή και με τα δύο χέρια κατά τη λειτουργία του χλοοκοπτικού.
- ◆ Εάν σε οποιαδήποτε στιγμή είναι απαραίτητο να γείρετε το χλοοκοπτικό, βεβαιωθείτε ότι και τα δύο χέρια σας παραμένουν στη θέση χειρισμού ενώ το χλοοκοπτικό έχει γείρει. Κρατήστε και τα δυο σας χέρια στη θέση χειρισμού μέχρι να επαναφέρετε το χλοοκοπτικό στη σωστή θέση στο έδαφος.
- ◆ Ποτέ μη φοράτε ακουστικά ραδιοφώνων ή μουσικής όταν χειρίζεστε το χλοοκοπτικό.
- ◆ Ποτέ μην αποπειραθείτε να πραγματοποιήσετε ρύθμιση του ύψους τροχού όταν το μοτέρ βρίσκεται σε λειτουργία ή ενώ το κλειδί ασφαλείας βρίσκεται στο περίβλημα του διακόπτη.
- ◆ Εάν το χλοοκοπτικό σταματήσει απότομα να λειτουργεί, απελευθερώστε την μάρα λειτουργίας ώστε να απενεργοποιηθεί το χλοοκοπτικό, περιμένετε να σταματήσει η λεπίδα και βγάλτε το κλειδί ασφαλείας πριν δοκιμάσετε να ξεμπλοκάρετε τη χοάνη ή να απομακρύνετε οτιδήποτε από το κάτω μέρος του περιβλήματος.
- ◆ Μην πλησιάζετε τα χέρια και τα πόδια σας στην περιοχή κοπής.



- ◆ Διατηρείτε τις λεπίδες κοφτερές. Φοράτε πάντοτε προστατευτικά γάντια όταν χειρίζεστε τη λεπίδα του χλοοκοπτικού.
- ◆ Εάν χρησιμοποιείτε τη σακούλα συλλογής γρασιδιού (5), ελέγχετε την τακτικά για τυχόν φθορές. Εάν έχει φθαρεί υπερβολικά, αντικαταστήστε με νέα σακούλα για τη δική σας ασφάλεια.
- ◆ Επιδειξτε εξαιρετική προσοχή όταν κινείστε προς τα πίσω ή τραβάτε το χλοοκοπτικό προς το μέρος σας.
- ◆ Μην πλησιάζετε τα χέρια ή τα πόδια σας κοντά ή κάτω από το χλοοκοπτικό. Παραμένετε μακριά από τα ανοίγματα εκκένωσης συνεχώς.
- ◆ Καθαρίστε την περιοχή όπου θα χρησιμοποιηθεί το χλοοκοπτικό από αντικείμενα όπως πέτρες, ξύλα, σύρματα, παιχνίδια, κόκαλα κλπ τα οποία μπορούν να εκσφενδονιστούν από τη λεπίδα. Αντικείμενα τα οποία κτυπούν στη λεπίδα μπορούν να προκαλέσουν σοβαρό τραυματισμό σε άτομα. Παραμένετε πίσω από τη χειρολαβή όταν ο κινητήρας βρίσκεται σε λειτουργία.
- ◆ Μη χρησιμοποιείτε το χλοοκοπτικό όταν είστε ζυπόλητοι ή φοράτε σανδάλια. Φοράτε πάντοτε κλειστά υποδήματα.
- ◆ Μην τραβάτε προς τα πίσω το χλοοκοπτικό εκτός και εάν είναι απόλυτα απαραίτητο. Πάντοτε κοιτάτε κάτω και προς τα πίσω πριν και όσο κινείστε προς τα πίσω.
- ◆ Ποτέ μην κατευθύνετε απορριπτόμενο υλικό προς οποιονδήποτε. Αποφύγετε την απόρριψη υλικού προς κάποιο τοίχο ή άλλο εμπόδιο. Το υλικό μπορεί να εξοστρακιστεί προς το χειριστή. Απελευθερώστε την μπάρα λειτουργίας για να απενεργοποιηθεί το χλοοκοπτικό και να σταματήσει η λεπίδα πριν περάσετε από επιφάνεια με χαλίκια.
- ◆ Μη χρησιμοποιείτε το χλοοκοπτικό χωρίς ολόκληρη τη σακούλα συλλογής γρασιδιού, το προστατευτικό κένωσης, το πίσω προστατευτικό και άλλες προστατευτικές διατάξεις ασφαλείας στη θέση τους και σε λειτουργία. Περιοδικά ελέγχετε όλα τα προστατευτικά και τις προστατευτικές διατάξεις ασφαλείας για να εξασφαλίσετε ότι βρίσκονται σε καλή κατάσταση λειτουργίας και ότι θα λειτουργήσουν σωστά επιτελώντας το σκοπό τους. Αντικαταστήστε τυχόν κατεστραμμένο προστατευτικό ή προστατευτική διάταξη ασφαλείας πριν από την περαιτέρω χρήση.
- ◆ Ποτέ μην αφήνετε ένα χλοοκοπτικό σε λειτουργία χωρίς επίτηρηση. Να βγάζετε πάντα το κλειδί ασφαλείας εάν πρόκειται να αφήσετε το χλοοκοπτικό χωρίς επίτηρηση.
- ◆ Πάντοτε απελευθερώνετε την μπάρα λειτουργίας για να σταματήσει το μοτέρ, περιμένετε μέχρι να ακινητοποιηθεί απόλυτα η λεπίδα και αφαιρείτε το κλειδί ασφαλείας, πριν καθαρίσετε το χλοοκοπτικό, αφαιρέσετε τη σακούλα συλλογής γρασιδιού, ξεβουλώσετε το προστατευτικό κένωσης, όταν αφήνετε το χλοοκοπτικό και πριν εκτελέσετε οποιαδήποτε ρύθμιση, επισκευή ή έλεγχο.
- ◆ Χρησιμοποιήστε το χλοοκοπτικό μόνο στο φως της ημέρας ή σε καλό τεχνητό φωτισμό όταν είναι εύκολα ορατά από το σημείο χειρισμού του χλοοκοπτικού αντικείμενα που τυχόν βρίσκονται στην πορεία της λεπίδας.
- ◆ Μη χρησιμοποιείτε το χλοοκοπτικό όταν βρίσκεστε υπό την επήρεια, οινοπνεύματος ή нарκωτικών ή όταν είστε κουρασμένοι ή άρρωστοι. Πάντοτε παραμένετε σε εγρήγορση, προσέχετε τι κάνετε και χρησιμοποιείτε την κοινή λογική.
- ◆ Αποφύγετε τα επικίνδυνα περιβάλλοντα. Ποτέ μη χρησιμοποιείτε το χλοοκοπτικό σε υγρό ή βρεγμένο γρασίδι ούτε στη βροχή. Να είστε πάντοτε σίγουροι για το που πατάτε, περπατάτε, μην τρέχετε ποτέ.
- ◆ Εάν το χλοοκοπτικό παρουσιάζει ασυνήθιστες δονήσεις, απελευθερώστε την μπάρα λειτουργίας, περιμένετε να σταματήσει η λεπίδα και βγάλτε το κλειδί ασφαλείας, στη συνέχεια ελέγξτε αμέσως την αιτία. Οι δονήσεις είναι γενικά προειδοποίηση προβλήματος, δείτε τον οδηγό αντιμετώπισης προβλημάτων για συμβουλές σε περίπτωση μη φυσιολογικών δονήσεων.
- ◆ Φοράτε πάντοτε κατάλληλα προστατευτικά ματιών και αναπνοής κατά τη χρήση του χλοοκοπτικού.
- ◆ Η χρήση αξεσουάρ ή εξαρτημάτων που δε συνιστώνται για χρήση με αυτό το χλοοκοπτικό μπορεί να είναι επικίνδυνη. Χρησιμοποιείτε μόνο αξεσουάρ εγκεκριμένα από την Black & Decker.
- ◆ Ποτέ μην τεντώνετε όταν χρησιμοποιείτε το χλοοκοπτικό. Να εξασφαλίσετε πάντοτε ότι πατάτε καλά και διατηρείτε την ισορροπία σας όταν χρησιμοποιείτε το χλοοκοπτικό.
- ◆ Σε εδάφη με κλίση, να κουρευείτε κατά το πλάτος της κλίσης και ποτέ προς τα πάνω και κάτω. Επιδεικνύετε εξαιρετική προσοχή όταν αλλάζετε κατεύθυνση σε εδάφη με κλίση.
- ◆ Να προσέχετε για λακκούβες, αυλάκια, πέτρες ή άλλα κρυμμένα αντικείμενα. Το ανώμαλο έδαφος μπορεί να προκαλέσει ατύχημα λόγω ολίσθησης και πτώσης. Τα ψηλά χόρτα μπορεί να κρύβουν εμπόδια.
- ◆ Μην κουρευείτε σε βρεγμένο γρασίδι ή υπερβολικά κεκλιμένα εδάφη. Το κακό πάτημα μπορεί να προκαλέσει ατύχημα λόγω ολίσθησης και πτώσης.
- ◆ Μην κουρευείτε κοντά σε γκρεμούς, χαντάκια ή πηγάδι. Μπορεί να παραπατήσετε ή να χάσετε την ισορροπία σας.

### Ασφάλεια τρίτων

- ◆ Αυτή η συσκευή δεν προορίζεται για χρήση από άτομα (στα οποία περιλαμβάνονται και τα παιδιά) με μειωμένες φυσικές, αντιληπτικές ή διανοητικές ικανότητες ή άτομα χωρίς εμπειρία και γνώσεις, παρά μόνο εφόσον επιτηρούνται ή τους έχουν δοθεί οδηγίες σχετικά με τη χρήση του εργαλείου από άτομο υπεύθυνο για την ασφάλειά τους.

- ♦ Τα παιδιά πρέπει να επιτηρούνται για να εξασφαλίζεται ότι δεν παίζουν με τη συσκευή.

### Αναπόφευκτοι κίνδυνοι.

Μπορεί να προκληθούν επιπρόσθετοι αναπόφευκτοι κίνδυνοι όταν χρησιμοποιείτε το εργαλείο, οι οποίοι μπορεί να μην συμπεριλαμβάνονται στις προειδοποιήσεις ασφαλείας που εσωκλείονται. Αυτοί οι κίνδυνοι μπορεί να προκληθούν από κακή χρήση, παρατεταμένη χρήση κτλ.

Ακόμα και με την τήρηση των σχετικών κανονισμών ασφαλείας και τη χρήση μέσων προστασίας, ορισμένοι κίνδυνοι δεν είναι δυνατόν να εξαλειφθούν. Αυτοί περιλαμβάνουν:

- ♦ Τραυματισμούς από το άγγιγμα των περιστρεφόμενων/κινούμενων μερών.
- ♦ Τραυματισμούς από αλλαγή οποιωνδήποτε εξαρτημάτων, λεπίδων ή αξεσουάρ.
- ♦ Τραυματισμούς από παρατεταμένη χρήση του εργαλείου. Όταν χρησιμοποιείτε οποιοδήποτε εργαλείο για παρατεταμένες χρονικές περιόδους βεβαιωθείτε ότι κάνετε τακτικά διαλείμματα.
- ♦ Προβλήματα ακοής.
- ♦ Κίνδυνοι στην υγεία που προκαλούνται από την εισπνοή σκόνης που δημιουργείται όταν χρησιμοποιείτε τη συσκευή (παράδειγμα:- όταν επεξεργάζεστε ξύλο, ειδικά δρυ, οξιά και MDF.)

### Προειδοποιητικά σύμβολα

Επάνω στη συσκευή υπάρχουν τα ακόλουθα προειδοποιητικά σύμβολα:



**Προειδοποίηση!** Διαβάστε το εγχειρίδιο οδηγιών πριν από τη λειτουργία.



Μην εκθέτετε το εργαλείο στη βροχή ή σε υψηλή υγρασία.



Προσέχετε τις αιχμηρές λεπίδες. Να βγάξετε πάντοτε το κλειδί ασφαλείας πριν καθαρίσετε το χλοοκοπτικό, αφαιρέσετε τη σακούλα συλλογής γρασιδιού, ξεβουλώσετε το προστατευτικό κένωσης, όταν αφήνετε το χλοοκοπτικό ή πριν εκτελέσετε οποιαδήποτε ρύθμιση, επισκευή ή έλεγχο.



Προσέχετε για τυχόν αντικείμενα που εκσφενδονίζονται. Μην αφήνετε να πλησιάσουν άλλα άτομα στην περιοχή κοπής.



Φορέστε προστατευτικά ματιών



Οι λεπίδες συνεχίζουν να κινούνται και μετά την απενεργοποίηση του χλοοκοπτικού.



Εγγυημένη ηχητική ισχύς κατά 2000/14/EK.

### Συμπληρωματικές οδηγίες ασφαλείας για τις μπαταρίες και τους φορτιστές

#### Μπαταρίες

- ♦ Μην επιχειρήσετε ποτέ να ανοίξετε τις μπαταρίες για οποιοδήποτε λόγο.
- ♦ Μην εκθέτετε την μπαταρία σε νερό.
- ♦ Μην εκθέτετε την μπαταρία σε θερμότητα.
- ♦ Μη φυλάσσετε τις μπαταρίες σε μέρη όπου η θερμοκρασία μπορεί να υπερβεί τους 40 °C.
- ♦ Η φόρτιση πρέπει να γίνεται μόνο σε θερμοκρασίες περιβάλλοντος μεταξύ 10 °C και 40 °C.

- ◆ Η φόρτιση πρέπει να γίνεται μόνο με το φορτιστή που παρέχεται μαζί με τη συσκευή/εργαλείο. Η χρήση άλλου φορτιστή μπορεί να προκαλέσει ηλεκτροπληξία ή υπερθέρμανση της μπαταρίας.
- ◆ Όταν απορρίπτετε τις μπαταρίες, ακολουθήστε τις οδηγίες που δίνονται στην ενότητα "Προστασία του περιβάλλοντος".
- ◆ Μην καταστρέψετε/παραμορφώνετε την μπαταρία είτε τρυπώντας ή χτυπώντας την, διότι μπορεί να προκληθεί κίνδυνος τραυματισμού ή πυρκαγιάς.
- ◆ Μη φορτίζετε τις κατεστραμμένες μπαταρίες.
- ◆ Κάτω από ακραίες συνθήκες, μπορεί να επέλθει διαρροή υγρών μπαταρίας. Αν παρατηρήσετε υγρό πάνω στις μπαταρίες, σκουπίστε το προσεκτικά με ένα πανί. Αποφύγετε την επαφή με το δέρμα.
- ◆ Στην περίπτωση επαφής με το δέρμα ή τα μάτια, ακολουθήστε τις παρακάτω οδηγίες.

- ◆ Αν το καλώδιο ρεύματος έχει υποστεί φθορά, η αντικατάστασή του πρέπει να γίνει από τον κατασκευαστή ή από ένα εξουσιοδοτημένο κέντρο επισκευών της Black & Decker, ώστε να μην αποτελέσει κίνδυνο.
- ◆ Μην εκθέτετε το φορτιστή σε νερό.
- ◆ Μην ανοίγετε το φορτιστή.
- ◆ Μην επεμβαίνετε στο φορτιστή.
- ◆ Κατά τη φόρτιση, η συσκευή/το εργαλείο/η μπαταρία πρέπει να βρίσκεται σε καλά αεριζόμενο χώρο.



Ο φορτιστής προορίζεται για χρήση σε εσωτερικούς χώρους μόνο.



Διαβάστε αυτό το εγχειρίδιο οδηγιών πριν από τη χρήση.

### Ασφαλής χρήση ηλεκτρικού ρεύματος



Ο φορτιστής σας φέρει διπλή μόνωση, επομένως δεν απαιτείται σύρμα γείωσης. Ελέγχετε πάντα αν η τάση τροφοδοσίας αντιστοιχεί σε αυτήν που αναγράφεται στην πινακίδα τεχνικών χαρακτηριστικών. Ποτέ μην επιχειρείτε να αντικαταστήσετε τη μονάδα φορτιστή με έναν κανονικό ρευματολήπτη.

- ◆ Αν το καλώδιο ρεύματος έχει υποστεί φθορά, πρέπει να αντικατασταθεί από τον κατασκευαστή ή από ένα εξουσιοδοτημένο κέντρο επισκευών της Black & Decker, ώστε να μην αποτελέσει κίνδυνο.

### Χαρακτηριστικά

Η συσκευή αυτή διαθέτει μερικά ή όλα από τα παρακάτω χαρακτηριστικά:

1. Κλειδί ασφαλείας
2. Μπάρα λειτουργίας
3. Λαβή λειτουργίας οδήγησης
4. Μοχλός ελέγχου ταχύτητας
5. Μπάρα χειρολαβής
6. Ελατηριωτό πίσω πορτάκι
7. Μπουτόν ρύθμισης λαβής
8. Μπουλόνια στερέωσης λαβής

**Προειδοποίηση!** Το υγρό της μπαταρίας μπορεί να προκαλέσει τραυματισμό ή υλικές ζημιές. Στην περίπτωση επαφής με το δέρμα, ξεπλύνετε αμέσως με άφθονο νερό. Αν παρουσιαστεί κοκκίνισμα του δέρματος, πόνος ή ερεθισμός, ζητήστε ιατρική βοήθεια. Στην περίπτωση επαφής με τα μάτια, ξεπλύνετε αμέσως με άφθονο καθαρό νερό και ζητήστε ιατρική βοήθεια.



Μην επιχειρήσετε να φορτίσετε κατεστραμμένες μπαταρίες.

### Φορτιστές

Ο φορτιστής σας είναι σχεδιασμένος για μια συγκεκριμένη ηλεκτρική τάση.

Ελέγχετε πάντα αν η τάση τροφοδοσίας αντιστοιχεί σε αυτήν που αναγράφεται στην πινακίδα χαρακτηριστικών.

**Προειδοποίηση!** Ποτέ μην επιχειρείτε να αντικαταστήσετε τη μονάδα φορτιστή με έναν κανονικό ρευματολήπτη.

- ◆ Ο φορτιστής Black & Decker πρέπει να χρησιμοποιείται αποκλειστικά και μόνο για τη φόρτιση της μπαταρίας της συσκευής/του εργαλείου που συνοδεύει. Αν χρησιμοποιηθεί για άλλες μπαταρίες, αυτές μπορεί να εκραγούν, προκαλώντας τραυματισμό και ζημιές.
- ◆ Μην επιχειρείτε ποτέ να φορτίσετε μη επαναφορτιζόμενες μπαταρίες.

9. Ασφάλεια μπαταρίας
10. Μοχλός μπαταρίας
11. Αποσπώμενη μπαταρία
12. Μπουτόν ενεργοποίησης για τα ξερά χάρτα
13. Μοχλός ύψους κοπής
14. Ένδειξη ύψους κοπής
15. Σακούλα συλλογής γρασιδιού

## Συναρμολόγηση

**Προειδοποίηση!** Πριν από τη συναρμολόγηση, βεβαιωθείτε ότι το εργαλείο είναι απενεργοποιημένο και ότι το φως δεν είναι στην πρίζα.

### Αποσυσκευασία (εικ. A & B)

**Προειδοποίηση!** Σημείο "μαγκώματος" - για να μη μαγκωθούν τα δάχτυλά σας, κρατήστε τα μακριά από το χώρο μεταξύ των χειρολαβών και των ελασμάτων.

- ◆ Κόψτε προσεκτικά τις πλευρές του κουτιού στο αντίθετο άκρο της χειρολαβής και διπλώστε το πτερύγιο προς τα κάτω όπως υποδεικνύεται.
- ◆ Αφού έχετε κόψει την πλευρά του κουτιού και είναι ανοιχτό, αφαιρέστε το υλικό πλήρωσης της συσκευασίας, το φορτιστή, τη σακούλα αεραίου και τη σακούλα συλλογής γρασιδιού και στρώστε το χλοοκοπτικό ώστε να τη βγάλετε από το κουτί.

**Προειδοποίηση!** Διατηρείτε τις λεπίδες κοφτερές. Κρατάτε τα μέλη του σώματός σας σε απόσταση από τη λεπίδα.

### Συναρμολόγηση της λαβής (εικ. C)

Απαιτούνται εργαλεία για τη συναρμολόγηση, δεν παρέχονται: Κλειδί ρυθμιζόμενο ή 1/2 ίντσας (13mm):

- ◆ Τοποθετήστε τη λαβή έτσι ώστε η οπές στη λαβή (5) να ευθυγραμμίζονται με τις οπές στο έλασμα (16). Τα μπουτόν ταχείας ρύθμισης λαβής (7) θα ευθυγραμμιστούν με τις επάνω οπές του πλευρικού ελάσματος (16).
- ◆ Τοποθετήστε τα μπουλόνια στερέωσης λαβής (8) μέσω των οπών της λαβής (5) και βιδώστε στο έλασμα (16). Πριν σφίξετε επαναλάβετε στην άλλη πλευρά.
- ◆ Σφίξτε τα μπουλόνια στερέωσης λαβής (8) χρησιμοποιώντας ένα κλειδί ρυθμιζόμενο ή 1/2 ίντσας (13mm).
- ◆ Για να ρυθμίσετε το επιθυμητό ύψος λαβής ανατρέξτε στη ρύθμιση λαβής. Μην στρώσετε το χλοοκοπτικό εκτός εάν η λαβή είναι σωστά στερεωμένη και ασφαλισμένη στο χλοοκοπτικό.

**Προειδοποίηση!** Σημείο "μαγκώματος" - για να μη μαγκωθούν τα δάχτυλά σας, κρατήστε τα μακριά από το χώρο μεταξύ των χειρολαβών (5) και των ελασμάτων (16).

### Ρύθμιση χειρολαβής (εικ. D)

Το χλοοκοπτικό σας έχει αρκετές ρυθμίσεις του ύψους της χειρολαβής. Για να ρυθμίσετε τη θέση της χειρολαβής στο ύψος που προτιμάτε, ακολουθήστε την παρακάτω διαδικασία:

- ◆ Κρατήστε τη λαβή (5) με το ένα χέρι, τραβήξτε έξω και περιστρέψτε το ένα μπουτόν ρύθμισης λαβής (7) κατά ένα τέταρτο της στροφής για να απελευθερωθεί ο πείρος από την οπή του μεταλλικού ελάσματος.
- ◆ Επαναλάβετε για την απέναντι πλευρά. Τώρα η λαβή (5) είναι ελεύθερη να μετακινηθεί σε μια άλλη θέση ύψους λαβής.
- ◆ Μετακινήστε τη λαβή στην επιθυμητή θέση ύψους.
- ◆ Τραβήξτε έξω και περιστρέψτε το ένα μπουτόν ρύθμισης λαβής (7) κατά ένα τέταρτο της στροφής για να επανωμπλακεί ο πείρος στην οπή του μεταλλικού ελάσματος, επαναλάβετε για την απέναντι πλευρά.

### Συναρμολόγηση της σακούλας συλλογής γρασιδιού (εικ. E & F)

- ◆ Σύρετε τη σακούλα συλλογής γρασιδιού (15) μέσα στο πλαίσιο (17).
- ◆ Συναρμολογήστε τα επάνω κλιπ της σακούλας συλλογής γρασιδιού στο πλαίσιο.
- ◆ Συναρμολογήστε τα δύο πλευρικά κλιπ στο πλαίσιο και μετά το κάτω κλιπ.

### Ρύθμιση του ύψους των τροχών (εικ. G & H)

Το χλοοκοπτικό σας έχει ως χαρακτηριστικό το σύστημα ρύθμισης του ύψους των τροχών με ένα άγγιγμα της Black & Decker. Αυτό το σύστημα ρυθμίζει ταυτόχρονα και τους τέσσερις τροχούς.

Το χλοοκοπτικό έχει επτά θέσεις ρύθμισης ύψους της λεπίδας (38 mm έως 89 mm). Ανατρέξτε στην κλίμακα και το δείκτη κοπής στο εμπρός μέρος του χλοοκοπτικού. Ο δείκτης υποδεικνύει τη ρύθμιση ύψους για το κούρεμα του γκαζόν σας. Αυτή τη ρύθμιση μπορείτε να τη χρησιμοποιήσετε ως αναφορά την επόμενη φορά που θα θελήσετε να κούρεψετε το γκαζόν σας στο ίδιο ύψος.

- ◆ Απελευθερώστε την μπάρα λειτουργίας (3) για να απενεργοποιήσετε το χλοοκοπτικό, περιμένετε μέχρι να σταματήσει η λεπίδα και βγάλτε το κλειδί ασφαλείας (1).
- ◆ Για να ανεβάσετε ή να κατεβάσετε το ύψος κοπής, βάλτε την παλάμη του χεριού σας στη θέση ξεκούρασης (18) και με τα δάχτυλά σας, πιέστε προς τα επάνω στη λαβή του δαχτύλου (19) και κρατήστε.
- ◆ Ενώ κρατάτε τη λαβή του δαχτύλου (19), ανεβάστε ή κατεβάστε το ύψος κοπής όπως είναι απαραίτητο. Η ένδειξη ύψους θα εμφανίσει την τρέχουσα ρύθμιση (εικ. H).

- ♦ Όταν το χλοοκοπτικό βρίσκεται στο απαιτούμενο ύψος, κρατήστε τη στη θέση της έχοντας το αριστερό σας χέρι στην κάτω δεξιά μπάρα χειρολαβής και απελευθερώστε τη λαβή δακτύλου (19) για να ασφαλίσετε τη ρύθμιση του ύψους.

**Σημείωση:** Για να βεβαιωθείτε ότι το χλοοκοπτικό έχει ασφαλίσει σωστά σε μία από τις θέσεις ύψους, πιέστε προς τα κάτω στη θέση ξεκούρασης αφού έχετε απελευθερώσει στη λαβή δακτύλου.

### Αφαίρεση και τοποθέτηση της μπαταρίας (εικ. I & K)

Μπορείτε να αφαιρέσετε την μπαταρία (11) από το χλοοκοπτικό για αποθήκευση/φόρτιση ή να την αφήσετε στο χλοοκοπτικό για να φορτίσει.

#### Πριν αφαιρέσετε την μπαταρία:

- ♦ Τοποθετήστε το χλοοκοπτικό σε επίπεδο έδαφος.
- ♦ Απελευθερώστε την μπάρα λειτουργίας (3) για να απενεργοποιήσετε το χλοοκοπτικό, περιμένετε μέχρι να σταματήσει η λεπίδα και βγάλτε το κλειδί ασφαλείας (1).

#### Για να αφαιρέσετε την μπαταρία:

- ♦ Ανασηκώστε το μοχλό μπαταρίας (8) (10) για να απελευθερώσετε την ασφάλεια μπαταρίας (9) και μετά περιστρέψτε τον προς τα πίσω μακριά από την μπαταρία. Ανασηκώστε την μπαταρία ώστε να βγει.

#### Για να τοποθετήσετε την μπαταρία

Πριν την τοποθέτηση της μπαταρίας, βεβαιωθείτε ότι το χλοοκοπτικό είναι καθαρό από υπολείμματα βρωμιάς και ο σύνδεσμος του φορτιστή (20) είναι αποσυνδεδεμένος από την μπαταρία (11).

- ♦ Εισάγετε τη μπαταρία στο χλοοκοπτικό. (η μπαταρία προσαρμόζεται μόνο κατά ένα τρόπο.)
- ♦ Ασφαλίστε την μπαταρία στο χλοοκοπτικό κουμπώνοντας την ασφάλεια μπαταρίας (9) πάνω από το άκρο της μπαταρίας (11) και στη συνέχεια πιέζοντας κάτω το μοχλό της μπαταρίας (10) μέχρι να ασφαλίσει στη θέση του.

### Χρήση

**Προειδοποίηση!** Αφήστε το χλοοκοπτικό να λειτουργήσει με το δικό του ρυθμό. Μην την υπερφορτώνετε.

### Φόρτιση της μπαταρίας (εικ. J - L)

**Σημείωση:** Φορτίστε την μπαταρία πριν από την πρώτη χρήση:

Μπορείτε να βγάλετε την μπαταρία από το χλοοκοπτικό για να τη φορτίσετε ή μπορεί να φορτιστεί ενώ βρίσκεται στη θέση του.

- ♦ Απελευθερώστε την μπάρα λειτουργίας (3) για να απενεργοποιήσετε το χλοοκοπτικό, περιμένετε μέχρι να σταματήσει η λεπίδα και βγάλτε το κλειδί ασφαλείας (1).
- ♦ Ευθυγραμμίστε τους πράσινους (+) και λευκούς (-) συνδέσμους και εισαγάγετε το φως του φορτιστή (20) στην υποδοχή (22) πάνω στο χλοοκοπτικό ή αφαιρέστε την μπαταρία και εισαγάγετε το φως του φορτιστή (20) στην υποδοχή (21) πάνω στην μπαταρία.
- ♦ Μπορείτε να συνδέσετε το σύνδεσμο του φορτιστή (20) στην υποδοχή του χλοοκοπτικού με έναν τρόπο.
- ♦ Εισαγάγετε το φως 240 Volt του φορτιστή σε μια πρίζα ηλεκτρικού ρεύματος (εικ. L).
- ♦ Η κόκκινη λυχνία (26) πάνω στο φορτιστή (24) θα ανάψει υποδηλώνοντας ότι η μπαταρία φορτίζεται. Εάν είναι αναμμένη η κόκκινη λυχνία, ελέγξτε εάν ο σύνδεσμος του φορτιστή έχει ευθυγραμμιστεί σωστά.
- ♦ Όταν ολοκληρωθεί η φόρτιση θα σβήσει η κόκκινη λυχνία t (26) και θα ανάψει η πράσινη λυχνία.

Θα χρειαστούν περίπου 16 ώρες για να φορτιστεί μία πλήρως αποφορτισμένη μπαταρία.

Συνιστάται να αφήνετε την μπαταρία ώστε να φορτίζεται μόνιμα ανάμεσα στα διαστήματα εργασιών για άριστη απόδοση κατά την εποχή που χρειάζεται κούρεμα το γκαζόν.

Ο φορτιστής που παρέχεται με αυτό το προϊόν πρέπει να συνδέεται κατά τέτοιο τρόπο ώστε να είναι σωστά προσανατολισμένος σε κάθετη ή επίπεδη θέση τοποθέτησης.

### Ενδεικτικής λυχνία κατάστασης φόρτισης (εικ. K)

Η μπαταρία είναι εξοπλισμένη με μια ενδεικτική λυχνία κατάστασης φόρτισης. Αυτή μπορεί να χρησιμοποιηθεί για να εμφανίσει το τρέχον επίπεδο φόρτισης στην μπαταρία κατά τη διάρκεια της χρήσης.

- ♦ Πιέστε το κουμπί κατάστασης της ενδεικτικής λυχνίας φόρτισης (23).

### Κλειδί ασφαλείας

Αφαιρέστε το κλειδί ασφαλείας:

- ♦ Οποτεδήποτε αφήνετε τη συσκευή χωρίς επιτήρηση.
- ♦ Πριν την καθαρίσετε σε περίπτωση που έχει φράξει.

- ◆ Πριν τον έλεγχο, τον καθαρισμό ή την εργασία με τη συσκευή.
- ◆ Αφού χτυπήσει σε ξένο αντικείμενο.
- ◆ Οποτεδήποτε αρχίζει να δονείται με μη φυσιολογικό τρόπο.

## Ενεργοποίηση και απενεργοποίηση

**Προειδοποίηση!** Διατηρείτε τις λεπίδες κοφτερές. Μην προσπαθήσετε ποτέ να παρακάμψετε τη λειτουργία αυτού του συστήματος διακόπτη και του κλειδιού ασφαλείας καθώς μπορεί να προκληθεί σοβαρός τραυματισμός.

### Ενεργοποίηση του χλοοκοπτικού (εικ. Μ)

- ◆ Εισαγάγετε το κλειδί ασφαλείας (1) πλήρως μέσα στο περίβλημα του διακόπτη.
- ◆ Πιέστε το πλήκτρο (27) στο πλάι του περιβλήματος του διακόπτη.
- ◆ Τραβήξτε την μπάρα λειτουργίας λεπίδας (3) προς την μπάρα της χειρολαβής (5).

### Απενεργοποίηση του χλοοκοπτικού (εικ. Μ)

- ◆ Για να απενεργοποιήσετε το χλοοκοπτικό, απελευθερώστε την μπάρα λειτουργίας λεπίδας (3).

Όταν η μπάρα λειτουργίας (3) επιστρέψει στην αρχική της θέση θα ενεργοποιήσει τον αυτόματο μηχανισμό ασφαλείας. Σταματάει η ηλεκτρική λειτουργία του μοτέρ και η λεπίδα του χλοοκοπτικού θα σταματήσει να περιστρέφεται σε 3 δευτερόλεπτα ή λιγότερο.

## Αυτοκίνηση μεταβλητής ταχύτητας (εικ. Μ)

Το χλοοκοπτικό σας είναι εξοπλισμένο με αυτοκίνηση μεταβλητής ταχύτητας. Η αυτοκίνηση είναι ανεξάρτητη από το διακόπτη On-Off της λεπίδας. Μπορεί να χρησιμοποιηθεί είτε περιστρέφεται η λεπίδα είτε όχι. Για παράδειγμα, όταν έχετε ολοκληρώσει το κούρεμα του γκαζόν, μπορείτε να χρησιμοποιήσετε την αυτοκίνηση για να κινήσετε το χλοοκοπτικό πίσω στο χώρο αποθήκευσης χωρίς να είναι ενεργοποιημένο το μοτέρ της λεπίδας.

### Για να λειτουργήσετε την αυτοκίνηση χωρίς να περιστρέφεται η λεπίδα:

- ◆ Εισαγάγετε το κλειδί ασφαλείας (1) πλήρως μέσα στο περίβλημα του διακόπτη.
- ◆ Πιέστε τη λαβή λειτουργίας οδήγησης (2) προς την μπάρα της χειρολαβής (5).
- ◆ Για να απενεργοποιήσετε την αυτοκίνηση απελευθερώστε τη λαβή λειτουργίας οδήγησης.

**Σημείωση** Η αυτοκίνηση είναι μεταβλητής ταχύτητας. Μπορείτε να επιλέξετε την ταχύτητα μετακινώντας το μοχλό επιλογής (4). Καθώς μετακινείτε το μοχλό επιλογής προς τα εμπρός, η ταχύτητα θα αυξηθεί. Η μετακίνηση του μοχλού επιλογής στην αντίθετη κατεύθυνση, θα μειώσει την ταχύτητα.

### Για να λειτουργήσετε την αυτοκίνηση με τη λεπίδα να περιστρέφεται:

- ◆ Εισαγάγετε το κλειδί ασφαλείας (1) πλήρως μέσα στο περίβλημα του διακόπτη.
- ◆ Πιέστε το πλήκτρο (27) στο πλάι του περιβλήματος του διακόπτη, στη συνέχεια τραβήξτε την μπάρα λειτουργίας λεπίδας (3) προς την μπάρα της χειρολαβής (5).
- ◆ Κρατήστε την μπάρα λειτουργίας λεπίδας στη θέση της στην μπάρα της χειρολαβής με το δεξί σας χέρι. Στη συνέχεια πιέστε τη λαβή λειτουργίας οδήγησης (2) στην μπάρα της χειρολαβής (5) με το αριστερό σας χέρι.
- ◆ Μπορείτε να κρατήσετε και τις δύο λαβές λειτουργίας πάνω στη μπάρα χειρολαβής ταυτόχρονα με το αριστερό σας χέρι.

**Σημείωση** Όταν απενεργοποιήσετε την αυτοκίνηση, για παράδειγμα στο τέλος μιας σειράς, μπορεί να ασφαλιστεί προσωρινά εάν τραβήξετε προς τα πίσω το χλοοκοπτικό. Απλά πιέστε ελαφρά προς τα εμπρός και στη συνέχεια μετακινήστε το χλοοκοπτικό όπως απαιτείται.

**Σημείωση** Κατά την κοπή, μερικές φορές μπορεί να είναι ευκολότερο να κινηθείτε γύρω από κάποιο αντικείμενο, όπως ένα δέντρο ή φυτά, με την αυτοκίνηση απενεργοποιημένη. Το χλοοκοπτικό μπορεί να χρησιμοποιηθεί με την αυτοκίνηση απενεργοποιημένη.

## Κούρεμα ξερών χόρτων "ΚΑΤ' ΑΠΑΙΤΗΣΗ" (εικ. Ν & Ο)

Το χλοοκοπτικό είναι εξοπλισμένο με μια λειτουργία ενεργοποίησης κατ' απαίτηση που επιτρέπει την αλλαγή του κουρέματος των ξερών χορταριών σε σακούλιασμα ή απόρριψη με την περιστροφή ενός μπουτόν:

- ◆ Απελευθερώστε την μπάρα λειτουργίας (3) για να απενεργοποιήσετε το χλοοκοπτικό, περιμένετε μέχρι να σταματήσει η λεπίδα και βγάλτε το κλειδί ασφαλείας (1).

### Λειτουργία απόρριψης:

- ◆ Αφαιρέστε το συλλέκτη γρασιδιού.
- ◆ Βεβαιωθείτε ότι το πίσω πορτάκι κένωσης ακουμπά σταθερά στο περίβλημα.
- ◆ Πιέστε και περιστρέψτε το μπουτόν ενεργοποίησης ώστε να ευθυγραμμιστεί με τη λέξη "DISCHARGE" (ΑΠΟΡΡΙΨΗ) (εικ Ν).

**Σημείωση** Το χλοοκοπτικό σας είναι τώρα σε λειτουργία οπίσθιας απόρριψης. Τα κομμένα χόρτα θα αποθέτονται στο γκαζόν κάτω από το κλειστό πορτάκι εξόδου.

#### Λειτουργία σακουλιάσματος:

- ◆ Τοποθετήστε το συλλέκτη γρασιδιού.
- ◆ Βεβαιωθείτε ότι το πίσω πορτάκι κένωσης ακουμπά σταθερά στο επάνω μέρος του συλλέκτη γρασιδιού.
- ◆ Πιέστε και περιστρέψτε το μπουτόν ενεργοποίησης ώστε να ευθυγραμμιστεί με τη λέξη "BAG" (ΣΑΚΟΥΛΙΑ) (βλ. εικ Ν).

**Σημείωση** Το χλοοκοπτικό σας είναι τώρα σε λειτουργία σακουλιάσματος. Για αλλαγή της λειτουργίας πίσω κένωσης, απλά αφαιρέστε το συλλέκτη γρασιδιού.

#### Λειτουργία κουρέματος ξερών χόρτων:

- ◆ Για αλλαγή στη λειτουργία ξερών χόρτων πιέστε και περιστρέψτε το μπουτόν ενεργοποίησης έτσι ώστε να ευθυγραμμιστεί με τη λέξη "MULCH" (ΞΕΡΑ ΧΟΡΤΑ) (βλ. εικ. Ο). Το χλοοκοπτικό σας είναι τώρα σε λειτουργία ξερών χόρτων.

**Σημείωση** Εάν γίνει δύσκολη η περιστροφή του μπουτόν ενεργοποίησης, μπορεί να χρειαστεί να καθαριστεί η χοάνη του περιβλήματος.

- ◆ Απελευθερώστε την μπάρα λειτουργίας λεπίδας για να απενεργοποιήσετε το χλοοκοπτικό και περιμένετε μέχρι να σταματήσει εντελώς η λεπίδα. Στη συνέχεια αφαιρέστε το κλειδί ασφαλείας και την μπαταρία.
- ◆ Κρατήστε ανοικτό το πίσω πορτάκι κένωσης, και καθαρίστε όποια άχρηστα υλικά μπορεί να υπάρχουν στη χοάνη του περιβλήματος. Επίσης καθαρίστε το κάτω μέρος του περιβλήματος όπως χρειάζεται.

#### Τοποθέτηση της σακούλας συλλογής γρασιδιού (εικ. Ρ & Q)

- ◆ Απελευθερώστε την μπάρα λειτουργίας λεπίδας (3) για να απενεργοποιήσετε το χλοοκοπτικό, περιμένετε μέχρι να σταματήσει η λεπίδα και βγάλτε το κλειδί ασφαλείας (1).
- ◆ Ανοίξτε το ελατηριωτό πίσω πορτάκι κένωσης (6) σε κάθετη θέση και κρατήστε το ανοιχτό.
- ◆ Χρησιμοποιήστε τη λαβή (29) πάνω στη σακούλα συλλογής γρασιδιού (15) και τοποθετήστε τη σακούλα ανάμεσα στις λαβές του χλοοκοπτικού.
- ◆ Τοποθετήστε τα άγκιστρα της σακούλας συλλογής γρασιδιού πάνω στο χλοοκοπτικό (εικ Q).
- ◆ Απελευθερώστε το πίσω πορτάκι κένωσης (6).

#### Συμβουλές για άριστη χρήση

Πρέπει πρώτα να κουρεύετε το γκαζόν την άνοιξη όταν το γρασίδι βρίσκεται σε ύψος περίπου 63 mm έως 76 mm. Εάν κουρεύετε το γκαζόν πολύ νωρίτερα από την εποχή που πρέπει, εμποδίζετε την ανανέωση των ριζών του γρασιδιού, που συμβαίνει κάθε άνοιξη. Πρέπει να κουρεύετε το νέο γρασίδι όταν βρίσκεται σε ύψος περίπου 63 mm.

Μην αφαιρείτε πάρα πολύ γρασίδι σε μία φορά, ποτέ περισσότερο από το 1/3 του ύψους του φύλλου κατά τη διάρκεια του κάθε κουρέματος. Εάν κουρεύετε το γκαζόν πάρα πολύ κοντά "στρεσάρονται" τα ευαίσθητα φύλλα του γκαζόν, με αποτέλεσμα οι ρίζες να μην αναπτύσσονται σε βάθος έτσι ώστε το γκαζόν σας να φτάνει πιο δύσκολα το νερό στο έδαφος.

Να κουρεύετε το γκαζόν σας όταν είναι στεγνό για να αποφύγετε το σχηματισμό σβόλων από το υγρό γρασίδι. Εάν έχετε επιλογή, η ιδανική ώρα για το κούρεμα του γκαζόν είναι αργά το απόγευμα, όχι μόνο γιατί το γκαζόν είναι στεγνό, αλλά επειδή η ευαίσθητη, φρεσκοκουρεμένη περιοχή του γκαζόν δε θα εκτεθεί στο άμεσο ηλιακό φως.

Διατηρήστε τη λεπίδα κουρέματος κοφτερή για άριστη κοπή. Με τον τρόπο αυτό βελτιώνεται η απόδοση του χλοοκοπτικού καθώς επίσης και η εμφάνιση του γκαζόν σας. Μία στομωμένη λεπίδα θρυμματίζει και τσακίζει τις άκρες του γρασιδιού. Αυτό βλάπτει την υγιή ανάπτυξη του γκαζόν σας και γίνεται επιρρεπές στις ασθένειες του γρασιδιού. Εάν οι άκρες του γρασιδιού τσακιστούν, το γκαζόν παίρνει ένα καφετί χρώμα που το κάνει να φαίνεται "αρρωστημένο". Μία στομωμένη λεπίδα μπορεί επίσης να τραβήξει προς τα έξω τους νέους σπόρους του γρασιδιού.

Προσπαθήστε να κουρεύετε το γκαζόν σας σε ένα σταθερό ύψος. Παρόλο που υπάρχουν φορές που θα πρέπει να ποικίλλει το ύψος του κουρέματος με την αλλαγή των εποχών, ένα σταθερό ύψος κουρέματος κάνει το γκαζόν πιο υγιές, πιο όμορφο και με γενικά λιγότερα αγριόχορτα. Να κουρεύετε το γκαζόν συχνά, κατά τις περιόδους υψηλής βλάστησης. Το συχνό κούρεμα του γκαζόν σας εξασφαλίζει ότι δε θα εμφανιστεί το χαμηλότερο, λιγότερο όμορφο μέρος του γρασιδιού.

Εάν το γκαζόν σας έχει μεγαλώσει πάρα πολύ, για παράδειγμα κατά τη διάρκεια των διακοπών, κουρέψτε το με τη λεπίδα σε ύψος μιας ή δύο θέσεων πιο ψηλά από το κανονικό. Ένα δεύτερο πέρασμα στο συνηθισμένο ύψος κουρέματος λίγες μέρες αργότερα θα επαναφέρει το γκαζόν σας πίσω στο πρόγραμμα του. Η αλλαγή του ύψους κοπής είναι κάτι απλό με τη ρύθμιση του ύψους των τροχών με ένα άγγιγμα της Black & Decker, η οποία συγχρόνως ρυθμίζει και τους τέσσερις τροχούς ταυτόχρονα.

Την άνοιξη ή το φθινόπωρο ή μετά από διακοπή στο πρόγραμμα κουρέματος, το γρασίδι θα είναι μεγαλύτερο και πιο πυκνό. Εάν το μοτέρ συνεχώς επιβραδύνει κατά τη διάρκεια του κουρέματος, προσπαθήστε να ρυθμίσετε τους τροχούς για μεγαλύτερο ύψος κοπής. Η υπερφόρτωση του μοτέρ μπορεί να προκαλέσει ανομοιογενές κούρεμα, γρηγορότερη εξάντληση της μπαταρίας και επίσης μπορεί το μοτέρ να σταματήσει.

Υπάρχουν τρεις καλοί τρόποι για να βελτιώσετε την εμφάνιση του γκαζόν σας: Να αλλάζετε συχνά την κατεύθυνση της φοράς κουρέματος, να κουρεύετε οριζόντια στις πλαγιές των λόφων, (αυτή είναι επίσης μία καλή πρακτική ασφαλείας) και μην ξεχνάτε να περνάτε από το ίδιο σημείο που έχετε κουρέψει σε κάθε πέρασμα.

Να κουρεύετε πάντα γρασίδι έτσι ώστε οι κορυφές του να απορρίπτονται πάνω στο κομμένο γκαζόν. Με αυτό τον τρόπο το γκαζόν σας θα φαίνεται φρέσκο αποφεύγοντας το σχηματισμό "κομμένου γρασιδιού" το οποίο θα σκουρύνει και θα φαίνεται άσχημο. Αυτή η μέθοδος επίσης διατηρεί τη φόρτιση της μπαταρίας σας, εξασφαλίζοντας ότι θα χρησιμοποιήσετε όσο το δυνατόν περισσότερο το χλοοκοπτικό της Black & Decker χωρίς καλώδιο.

Κατά τη διάρκεια των εποχών άνοιξης και φθινοπώρου, όταν το γκαζόν είναι μεγαλύτερο και πυκνότερο, μπορείτε να χρησιμοποιήσετε το χλοοκοπτικό σας χωρίς να έχετε την μπαταρία πλήρως φορτισμένη (π.χ. η πράσινη λυχνία ένδειξης φόρτισης είναι αναμμένη). Αυτό θα σας βοηθήσει να κάνετε σύντομες εργασίες κουρέματος, ωστόσο δε συνιστούμε να γίνεται συχνά. Η μπαταρία και το χλοοκοπτικό έχουν πολύ καλύτερη απόδοση όταν είναι πλήρως φορτισμένα.

### Συμβουλές για κούρεμα του γκαζόν

**Σημείωση** Να επιθεωρείτε πάντα την περιοχή όπου θα χρησιμοποιήσετε το χλοοκοπτικό και να απομακρύνετε όλες τις πέτρες, ξύλα, σύρματα, κόκαλα και άλλα αντικείμενα τα οποία μπορούν να εκσφενδονιστούν από την περιστρεφόμενη λεπίδα.

- ◆ Σε εδάφη με κλίση, να κουρεύετε κατά το πλάτος της κλίσης και ποτέ προς τα πάνω και κάτω. Επιδεικνύετε εξαιρετική προσοχή όταν αλλάζετε κατεύθυνση σε εδάφη με κλίση. Μην κουρεύετε σε υπερβολικά απότομες κλίσεις. Φροντίστε να βρίσκεστε πάντα σε σταθερή θέση.
- ◆ Απελευθερώστε την μπάρα λειτουργίας (3) για να απενεργοποιηθεί το χλοοκοπτικό όταν διασχίζετε επιφάνεια με χαλίκια καθώς μπορεί να εκσφενδονιστούν πέτρες από την περιστρεφόμενη λεπίδα.
- ◆ Ρυθμίστε το χλοοκοπτικό στο μεγαλύτερο ύψος κοπής όταν κουρεύετε σε σκληρό έδαφος ή σε ψηλά αγριόχορτα. Η απομάκρυνση υπερβολικής ποσότητας γρασιδιού σε μία φορά μπορεί να προκαλέσει υπερφόρτωση του μοτέρ, η οποία θα σταματήσει το χλοοκοπτικό. Ανατρέξτε στον οδηγό αντιμετώπισης προβλημάτων.

Εάν χρησιμοποιήσετε τη σακούλα συλλογής γρασιδιού (15) κατά την εποχή υψηλής βλάστησης, το γρασίδι μπορεί να φράξει το άνοιγμα κένωσης.

- ◆ Απελευθερώστε την μπάρα λειτουργίας (3) για να απενεργοποιήσετε το χλοοκοπτικό και βγάλτε το κλειδί ασφαλείας (1).
- ◆ Βγάλτε τη σακούλα συλλογής γρασιδιού (15) και κουνήστε το γρασίδι στο πίσω μέρος της σακούλας.
- ◆ Καθαρίστε τυχόν χορτάρι ή υπολείμματα βρωμιάς τα οποία μπορεί να έχουν συσσωρευτεί στο άνοιγμα κένωσης.
- ◆ Επαναποθετήστε τη σακούλα συλλογής γρασιδιού (15).

Εάν το χλοοκοπτικό αρχίζει να δονείται με μη φυσιολογικό τρόπο:

- ◆ Απελευθερώστε αμέσως την μπάρα λειτουργίας (3) για να απενεργοποιήσετε το χλοοκοπτικό και βγάλτε το κλειδί ασφαλείας (1) και την μπαταρία (11).
- ◆ Ελέγξτε την αιτία της δόνησης. Η δόνηση είναι μία προειδοποίηση. Μη λειτουργήσετε το χλοοκοπτικό μέχρι να γίνει έλεγχος από το σέρβις. Ανατρέξτε στον οδηγό αντιμετώπισης προβλημάτων στο εγχειρίδιο.

**Σημείωση** Απελευθερώνετε πάντοτε την μπάρα λειτουργίας για να απενεργοποιήσετε το χλοοκοπτικό και βγάλετε το κλειδί ασφαλείας όταν αφήνετε το χλοοκοπτικό χωρίς επιτήρηση ακόμη και για μικρό χρονικό διάστημα.

Οι παρακάτω υποδείξεις θα σας βοηθήσουν ώστε το χλοοκοπτικό σας να λειτουργεί άριστα για αρκετό χρόνο:

- ◆ Να πηγαίνετε σιγά σε περιοχές όπου το γρασίδι είναι υπερβολικά υψηλό ή πυκνό.
- ◆ Όταν κόβετε ξερά χόρτα, να αποφεύγετε να κόβετε περισσότερο από 38 mm μήκος τη φορά.
- ◆ Να αποφεύγετε το κούρεμα του γκαζόν όταν είναι υγρό.
- ◆ Να κουρεύετε το γκαζόν συχνά, ειδικά κατά τη διάρκεια περιόδων υψηλής βλάστησης.



**Σημείωση** Συνιστάται να φορτίζετε το χλοοκοπτικό σας μετά την κάθε χρήση. Η συχνή φόρτιση δε θα βλάψει την μπαταρία και θα εξασφαλίσει ότι η μπαταρία είναι πλήρως φορτισμένη.

### Συμβουλές για το κούρεμα των ξερών χόρτων

Όταν κουρεύετε ξερά χόρτα, το χλοοκοπτικό σας είναι σχεδιασμένο να κόβει τις άκρες του γρασιδιού σε μικρά κομματάκια και να τα διανέμει πίσω στο γκαζόν. Υπό φυσιολογικές συνθήκες, θα γίνει η βιοδιάσπαση του ξερού χορταριού γρηγορότερα ώστε το γκαζόν να αποκτήσει τα θρεπτικά συστατικά.

Υποδείξεις για άριστη απόδοση στο κούρεμα των ξερών χορταριών:

- ◆ Να αποφεύγετε το κούρεμα του γκαζόν όταν είναι υγρό. Το υγρό γρασίδι μπορεί να σχηματίσει σβόλους οι οποίοι μπορεί να παρεμποδίσουν την εργασία κουρέματος των ξερών και να μειώσουν το χρόνο λειτουργίας. Η καλύτερη ώρα για το κούρεμα του γκαζόν είναι το απόγευμα όταν είναι στεγνό το γκαζόν και η φρεσκοκουρεμένη περιοχή δε θα εκτεθεί στο άμεσο ηλιακό φως.
- ◆ Για άριστο κούρεμα των ξερών χορταριών, ρυθμίστε το ύψος κοπής ώστε να αφαιρεί το ένα τρίτο από το μήκος του γρασιδιού, ιδανικά όχι περισσότερο από 38 mm την ίδια φορά. Εάν το γκαζόν είναι πολύ μεγάλο, ίσως είναι απαραίτητο να αυξήσετε το ύψος κοπής για να μειώσετε την προσπάθεια ώθησης και να αποφύγετε την υπερφόρτωση του μοτέρ.
- ◆ Για κούρεμα σε πυκνά, ξερά χόρτα, σας συνιστούμε να κουρεύετε πρώτα σε μια υψηλή ρύθμιση ύψους κοπής και κατόπιν να κουρεύετε στο τελικό ύψος ή να κουρεύετε πιο κοντά και πιο αργά.

Για άριστη απόδοση, μην αφήνετε να συσσωρεύεται γρασίδι στο περίβλημα του χλοοκοπτικού:

- ◆ Απελευθερώστε την μάρα λειτουργίας (3) για να απενεργοποιήσετε το χλοοκοπτικό και περιμένετε μέχρι να σταματήσει εντελώς η λεπίδα.
- ◆ Βγάλετε το κλειδί ασφαλείας (1) και την μπαταρία (11) και γυρίστε το χλοοκοπτικό στο πλάι.
- ◆ Χρησιμοποιήστε μια μη αιχμηρή ξύστρα για να αφαιρέσετε το συσσωρευμένο γρασίδι στο χώρο της λεπίδας. Προσέχετε τις άκρες της λεπίδας διότι είναι κοφτερές. Καθαρίζετε πιο συχνά όταν κόβετε πυκνό γρασίδι και πάντα μετά από την κάθε χρήση.

Ορισμένα είδη γρασιδιού ή συνθήκες γρασιδιού ίσως απαιτούν το κούρεμα των ξερών χορταριών από την περιοχή για δεύτερη φορά ώστε να γίνει πλήρης αναδιανομή του γρασιδιού σε ολόκληρο το γκαζόν.

Εάν χρειαστεί κούρεμα για δεύτερη φορά, συνιστάται να κουρεύετε κάθετα (κατά μήκος) της πρώτου κουρέματος, αλλά να μην αλλάξετε τη φορά κοπής με κανέναν τρόπο το οποίο σημαίνει με φορά προς τα κάτω.

- ◆ Να αλλάξετε τη φορά κοπής από εβδομάδα σε εβδομάδα. Αυτό θα βοηθήσει να αποφευχθεί το χορτάρισμα.

### Συντήρηση

Αυτή η συσκευή/εργαλείο με καλώδιο/χωρίς καλώδιο της Black & Decker έχει σχεδιαστεί έτσι ώστε να λειτουργεί για μεγάλο χρονικό διάστημα με την ελάχιστη δυνατή συντήρηση. Η αδιάλειπτη και ικανοποιητική λειτουργία του εργαλείου/συσκευής εξαρτάται από τη φροντίδα και τον τακτικό καθαρισμό του.

Ο φορτιστής σας δεν απαιτεί άλλη συντήρηση εκτός του τακτικού καθαρισμού.

**Προειδοποίηση!** Πριν πραγματοποιήσετε οποιαδήποτε συντήρηση σε ηλεκτρικά εργαλεία με καλώδιο/χωρίς καλώδιο:

- ◆ Απενεργοποιήστε και αποσυνδέστε τη συσκευή/εργαλείο από την πρίζα.
- ◆ Ή απενεργοποιήστε και αφαιρέστε την μπαταρία από τη συσκευή/εργαλείο εάν η συσκευή/εργαλείο διαθέτει ξεχωριστή μπαταρία.
- ◆ Ή χρησιμοποιήστε την μπαταρία μέχρι να αδειάσει εντελώς και στη συνέχεια απενεργοποιήστε.
- ◆ Πριν καθαρίσετε το φορτιστή, αποσυνδέστε τον από την πρίζα. Ο φορτιστής σας δεν απαιτεί άλλη συντήρηση εκτός του τακτικού καθαρισμού.
- ◆ Να καθαρίζετε τακτικά τις εγχοπές εξαιρισμού του εργαλείου/συσκευής και του φορτιστή με μια μαλακή βούρτσα ή ένα στεγνό πανί.
- ◆ Να καθαρίζετε τακτικά το περίβλημα του μοτέρ με ένα υγρό πανί. Μην χρησιμοποιείτε λειαντικά ή υγρά καθαρισμού που περιέχουν διαλυτικά.
- ◆ Χρησιμοποιείτε τακτικά μια μη αιχμηρή ξύστρα για να αφαιρέσετε το γρασίδι και το χώμα από το κάτω μέρος του προστατευτικού.

### Αφαίρεση και τοποθέτηση της λεπίδας (εικ. R & S)

**Προειδοποίηση!** Μην αγγίζετε τη λεπίδα πριν βγάλετε το κλειδί ασφαλείας και πριν ακινητοποιηθούν εντελώς οι λεπίδες.

- ◆ Απελευθερώστε την μάρα λειτουργίας (3) για να απενεργοποιήσετε το χλοοκοπτικό, περιμένετε μέχρι να σταματήσει η λεπίδα και βγάλετε το κλειδί ασφαλείας (1).

- ◆ Κόψτε ένα κομμάτι ξύλου (μήκους περίπου 50 mm x 100 mm x 600 mm) για να το χρησιμοποιήσετε ώστε να μην περιστρέφεται η λεπίδα ενώ βγάζετε το παξιμάδι της φλάντζας.
- ◆ Γυρίστε το χλοοκοπτικό στο πλάι.

**Προειδοποίηση!** Να φοράτε πάντα γάντια και κατάλληλα προστατευτικά γυαλιά. Προσέχετε τις άκρες της λεπίδας διότι είναι κοφτερές.

- ◆ Τοποθετήστε το ξύλο (32) και βγάλτε το παξιμάδι της φλάντζας (30) με ένα κλειδί 19 mm (31) (εικ. R).
- ◆ Βγάλτε τον τετράγωνο μεταλλικό διαχωριστή λεπίδας (37), την τετράγωνη πλαστική μόνωση της λεπίδας (33) και τη λεπίδα (34) (εικ. S). Ελέγχετε τη μόνωση της λεπίδας (35) για ζημιές και αντικαταστήστε τη εάν είναι απαραίτητο.

Όταν τοποθετείτε τη λεπίδα, βεβαιωθείτε ότι η πλευρά της λεπίδας που κόβει το γρασίδι βλέπει το έδαφος όταν επαναφέρετε το χλοοκοπτικό στην αρχική του όρθια θέση.

- ◆ Μετά την τοποθέτηση της λεπίδας, βάλτε τη μόνωση (35) πάνω στη λεπίδα έτσι ώστε τα ανασηκωμένα άκρα στη μία πλευρά να ασφαλίσουν με τις άκρες τις λεπίδας (34).
- ◆ Τοποθετήστε το διαχωριστή της λεπίδας (36) έτσι ώστε να εφαρμόσει στα ανασηκωμένα άκρα στην άλλη πλευρά της μόνωσης της λεπίδας (35). Βεβαιωθείτε ότι έχετε ευθυγραμμίσει τα πτερύγια στην οπή της μόνωσης της λεπίδας (36) με τα πτερύγια του άξονα, ώστε η λεπίδα και η μόνωση της λεπίδας να περιστρέφονται μαζί όπως είναι απαραίτητο.
- ◆ Τοποθετήστε ένα κομμάτι ξύλο (32) ώστε να μην περιστρέφεται η λεπίδα (εικ. R).
- ◆ Τοποθετήστε το παξιμάδι της φλάντζας (30) με τη φλάντζα προς τον τετράγωνο μεταλλικό διαχωριστή της λεπίδας (37) και σφίξτε.

## Ακόνισμα λεπίδας (εικ. T)

Διατηρήστε τη λεπίδα κοφτερή για άριστη απόδοση. Μία εξασθενημένη λεπίδα δεν κόβει το γρασίδι καλά και δεν κουρεύει τα ξερά χορτάρια σωστά.

**Προειδοποίηση!** Βεβαιωθείτε πάντοτε ότι έχετε βγάλει το κλειδί ασφαλείας.

**Προειδοποίηση!** Φορέστε κατάλληλα προστατευτικά γυαλιά ενώ βγάζετε, ακονίζετε και τοποθετείτε τη λεπίδα.

Το καθαρίσμα της λεπίδας δύο φορές κατά τη διάρκεια της εποχής κουρέματος του γκαζόν είναι συνήθως αρκετό υπό κανονικές συνθήκες. Το αμμώδες χώμα κάνει τη λεπίδα να αδρανεύει γρήγορα. Εάν το γκαζόν σας έχει αμμώδες έδαφος απαιτείται συχνότερο ακόνισμα της λεπίδας.

- ◆ Να αντικαθιστάτε αμέσως λυγισμένες ή κατεστραμμένες λεπίδες.

## Όταν ακονίζετε τη λεπίδα:

- ◆ Βεβαιωθείτε ότι η λεπίδα παραμένει ακίνητη.
- ◆ Ακονίζετε τη λεπίδα στην αρχική της γωνία κοπής.
- ◆ Ακονίζετε τις άκρες κοπής και από τις δύο πλευρές της λεπίδας, αφαιρώντας ίσες ποσότητες υλικού και από τα δύο άκρα.

## Για να ακονίσετε μια λεπίδα σε μέγερνη (εικ. T)

- ◆ Απελευθερώστε την μπάρα λειτουργίας (3) για να απενεργοποιήσετε το χλοοκοπτικό και περιμένετε μέχρι να σταματήσει εντελώς η λεπίδα.
- ◆ Βγάλτε το κλειδί ασφαλείας (1) και την μπαταρία (11) και γυρίστε το χλοοκοπτικό στο πλάι.
- ◆ Βγάλτε τη λεπίδα (34) από το χλοοκοπτικό, δείτε τις οδηγίες για την αφαίρεση και τοποθέτηση των λεπίδων.

**Προειδοποίηση!** Φορέστε κατάλληλα προστατευτικά γυαλιά και γάντια και προσέξτε τις κοφτερές άκρες της λεπίδας.

- ◆ Βάλτε τη λεπίδα (34) σε μια μέγερνη.
- ◆ Λιμάρετε προσεκτικά τις κοφτερές άκρες της λεπίδας με μια οδοντωτή λίμα ή με πέτρα ακονίσματος, κρατώντας την αρχική άκρη κοπής.
- ◆ Ελέγξτε την ισορροπία της λεπίδας, δείτε τις οδηγίες για την ισορροπία της λεπίδας.
- ◆ Τοποθετήστε τη λεπίδα (34) στο χλοοκοπτικό και σφίξτε γερά, δείτε τις οδηγίες για την αφαίρεση και τοποθέτηση των λεπίδων.

## Ισορροπία της λεπίδας (εικ. U)

- ◆ Ελέγξτε την ισορροπία της λεπίδας τοποθετώντας στην κεντρική της οπή πάνω σε ένα καρφί ή σε ένα κατασαβίδι με στρογγυλή κεφαλή που έχει σφηνωθεί οριζόντια σε μέγερνη. Εάν το ένα άκρο της λεπίδας περιστρέφεται προς τα κάτω, λιμάρετε αυτό το άκρο μέχρι να ισορροπήσει η λεπίδα.

## Λίπανση

Δεν απαιτείται λίπανση. Μη λιπαίνετε τους τροχούς. Έχουν πλαστική επίστρωση η οποία δε χρειάζεται λίπανση.

## Καθαρισμός

- ◆ Απελευθερώστε την μπάρα λειτουργίας (3) για να απενεργοποιήσετε το χλοοκοπτικό και περιμένετε μέχρι να σταματήσει εντελώς η λεπίδα.
- ◆ Αφαιρέστε το κλειδί ασφαλείας (1).
- ◆ Για τον καθαρισμό του χλοοκοπτικού, χρησιμοποιήστε αποκλειστικά ήπιο σαπούνι και υγρό πανί.

- ◆ Χρησιμοποιήστε ένα μη αιχμηρό εργαλείο για να καθαρίσετε τυχόν κορυφές γρασιδιού που έχουν συσσωρευτεί στο κάτω μέρος του χλοοκοπτικού.
- ◆ Αφού τη χρησιμοποιήσετε αρκετές φορές, ελέγξτε όλους τους εκτεθειμένους συνδέσμους εάν είναι σφιγμένοι καλά.

## Προστασία από τη διάβρωση

Λιπάσματα και άλλα χημικά κήπου περιέχουν στοιχεία που μπορούν να επιταχύνουν σε μεγάλο βαθμό τη διάβρωση των μετάλλων. Εάν κουρεύετε γκαζόν σε περιοχές όπου έχουν χρησιμοποιηθεί λιπάσματα ή χημικά, πρέπει να καθαρίζετε αμέσως μετά το χλοοκοπτικό ως ακολούθως:

- ◆ Απελευθερώστε την μπάρα λειτουργίας (3) για να απενεργοποιήσετε το χλοοκοπτικό και περιμένετε μέχρι να σταματήσει εντελώς η λεπίδα.
- ◆ Αφαιρέστε το κλειδί ασφαλείας (1).
- ◆ Σκουπίστε όλα τα εκτεθειμένα μέρη με ένα υγρό πανί.

## Μεταφορά και αποθήκευση

**Προειδοποίηση!** Η περιστρεφόμενη λεπίδα μπορεί να προκαλέσει σοβαρό τραυματισμό. Απελευθερώστε την μπάρα λειτουργίας για να απενεργοποιήσετε το χλοοκοπτικό και βγάλτε το κλειδί ασφαλείας πριν ανασηκώσετε, μεταφέρετε ή αποθηκεύσετε το χλοοκοπτικό. Αποθηκεύστε σε δροσερό μέρος.

**Σημείωση:** Το χλοοκοπτικό δε θα είναι τόσο βαρύ για να το σηκώσετε εάν έχετε βγάλει πρώτα την μπαταρία. Μη χρησιμοποιείτε την ασφάλεια ως μέσο ανύψωσης του χλοοκοπτικού.

## Αποθήκευση εκτός εποχής

Σε θερμά κλίματα, για να εξασφαλίσετε άριστη απόδοση συνιστάται να παραμείνει η μπαταρία σε συνεχή φόρτιση.

Μπορείτε να αποθηκεύσετε την μπαταρία με αποσυνδεδεμένο το φορτιστή εάν τηρούνται οι παρακάτω συνθήκες.

- ◆ Η μπαταρία είναι πλήρως φορτισμένη πριν την αποθήκευση.
- ◆ Η μέση θερμοκρασία του χώρου αποθήκευσης είναι κάτω από τους 10 °C και (50 °C).

## Προστασία του περιβάλλοντος



Ξεχωριστή περισυλλογή. Αυτό το προϊόν δεν πρέπει να απορρίπτεται μαζί με τα κοινά οικιακά απορρίμματα.

Εάν κάποια μέρα διαπιστώσετε ότι το προϊόν σας Black & Decker χρειάζεται αντικατάσταση ή ότι δεν το χρειάζεστε άλλο, μην το απορρίψετε μαζί με τα κοινά οικιακά απορρίμματα αλλά διαθέστε αυτό το προϊόν για ξεχωριστή περισυλλογή.



Η ξεχωριστή περισυλλογή των μεταχειρισμένων προϊόντων και των υλικών συσκευασίας επιτρέπει την ανακύκλωση και επαναχρησιμοποίηση των υλικών.

Με την επαναχρησιμοποίηση των ανακυκλωμένων υλικών αποτρέπεται η μόλυνση του περιβάλλοντος και μειώνεται η ζήτηση πρώτων υλών.

Οι κανονισμοί που ισχύουν στην περιοχή σας ενδέχεται να προβλέπουν την ξεχωριστή περισυλλογή των ηλεκτρικών συσκευών που προέρχονται από νοικοκυριά σε δημοτικές εγκαταστάσεις ή από τον έμπορο όταν αγοράσετε ένα καινούργιο προϊόν.

Η Black & Decker δίνει τη δυνατότητα ανακύκλωσης των προϊόντων της που έχουν συμπληρώσει τη διάρκεια ζωής τους. Για να χρησιμοποιήσετε αυτήν την υπηρεσία, επιστρέψτε το προϊόν σας σε οποιοδήποτε εξουσιοδοτημένο κέντρο επισκευών, όπου θα το παραλάβουν εκ μέρους μας.

Ενημερωθείτε για το πλησιέστερο εξουσιοδοτημένο κέντρο επισκευών της περιοχής σας, επικοινωνώντας με τα γραφεία της Black & Decker στη διεύθυνση που αναγράφεται στο εγχειρίδιο. Επίσης, μια λίστα με τα εξουσιοδοτημένα κέντρα επισκευών της Black & Decker και πλήρεις λεπτομέρειες για τις υπηρεσίες που παρέχονται μετά την πώληση καθώς και στοιχεία επικοινωνίας υπάρχουν στο Διαδίκτυο, στη διεύθυνση: [www.2helpU.com](http://www.2helpU.com)

## Μπαταρίες



Στο τέλος της ωφέλιμης ζωής τους, απορρίψτε τις μπαταρίες με την πρέπουσα φροντίδα για το περιβάλλον μας:

- ◆ Χρησιμοποιήστε το εργαλείο μέχρι να αδειάσει εντελώς η μπαταρία και στη συνέχεια αφαιρέστε την από το εργαλείο.
- ◆ Οι μπαταρίες NiCd, NiMH και Li-Ion είναι ανακυκλώσιμες. Τοποθετήστε την(τις) μπαταρία(ες) σε κατάλληλη συσκευασία για να εξασφαλίσετε ότι οι ακροδέκτες δεν μπορούν να βραχυκυκλώσουν. Παραδώστε τις σε οποιοδήποτε εξουσιοδοτημένο αντιπρόσωπο επισκευών ή στον πλησιέστερο σταθμό ανακύκλωσης της περιοχής σας.

- ◆ Μη βραχυκυκλώνετε τους ακροδέκτες της μπαταρίας.
- ◆ Μην απορρίπτετε την(τις) μπαταρία(ες) στη φωτιά, επειδή μπορεί να προκληθεί κίνδυνος προσωπικού τραυματισμού ή έκρηξη.

## Δήλωση συμμόρφωσης ΕΚ

ΟΔΗΓΙΑ ΠΕΡΙ ΜΗΧΑΝΗΜΑΤΩΝ

ΟΔΗΓΙΑ ΓΙΑ ΘΟΡΥΒΟΥΣ ΣΕ ΕΞΩΤΕΡΙΚΟΥΣ ΧΩΡΟΥΣ



### Τεχνικά χαρακτηριστικά

		<b>GRC4736SD</b> H 1
Τάση εισόδου	$V_{DC}$	36
Ταχύτητα χωρίς φορτίο	$min^{-1}$	3300
Βάρος	kg	41
Μπαταρία		<b>A1236</b>
Τάση	$V_{dc}$	36
Χωρητικότητα	Ah	12
Τύπος		Μολύβδου
Φορτιστής		<b>905521** τύπ. 1</b>
Τάση εισόδου	$V_{AC}$	220 - 240
Τάση εξόδου	$V_{DC}$	36
Ρεύμα	mA	800
Χρόνος φόρτισης κατά προσέγγιση	h	16

Τιμή χειροβραχιονικής δόνησης σύμφωνα με το πρότυπο EN 786:

$= < 2.5 m/s^2$ , αβεβαιότητα (K) =  $1.5 m/s^2$ .

$L_{PA}$  (ηχητική πίεση) 79 dB(A)

αβεβαιότητα (K) = 2 dB(A)

GRC4736SD  
Η Black & Decker δηλώνει ότι τα προϊόντα αυτά που περιγράφονται στα "τεχνικά χαρακτηριστικά" συμμορφώνονται με:  
2006/42/EC, EN 60335-1, EN 60335-2-91

2000/14/EC, Χλοοκοπτική μηχανή,  $L < 50cm$ , Παράρτημα VI, DEKRA Certification B.V., Utrechtseweg 310, ED Arnhem Netherlands

Αρ. ID Διακοινωνμένου Οργανισμού: 0344

Στάθμη ηχητικής ισχύος σύμφωνα με 2000/14/EC (Άρθρο 12, Παράρτημα III,  $L \leq 50cm$ ):  
 $L_{WA}$  (μετρημένη ηχητική ισχύς) 93 dB(A)  
αβεβαιότητα (K) = 2 dB(A)

$L_{WA}$  (εγγυημένη ηχητική ισχύς) 95 dB(A)  
αβεβαιότητα (K) = 2 dB(A)

Αυτά τα προϊόντα συμμορφώνονται επίσης με την οδηγία 2004/108/EK & 2011/65/EU.

Για περισσότερες πληροφορίες, παρακαλείστε να επικοινωνήσετε με την Black & Decker στην παρακάτω διεύθυνση ή να ανατρέξετε στο πίσω μέρος του χειριριδίου. Ο κάτωθι υπογεγραμμένος είναι υπεύθυνος για την κατάρτιση του τεχνικού φακέλου και δηλώνει τα παρόντα εκ μέρους της Black & Decker.

Kevin Hewitt

Αντιπρόεδρος παγκόσμιας μηχανικής  
Black & Decker Europe, 210 Bath Road, Slough,  
Berkshire, SL1 3YD  
Ηνωμένο Βασίλειο  
01-10-2009

## Εγγύηση

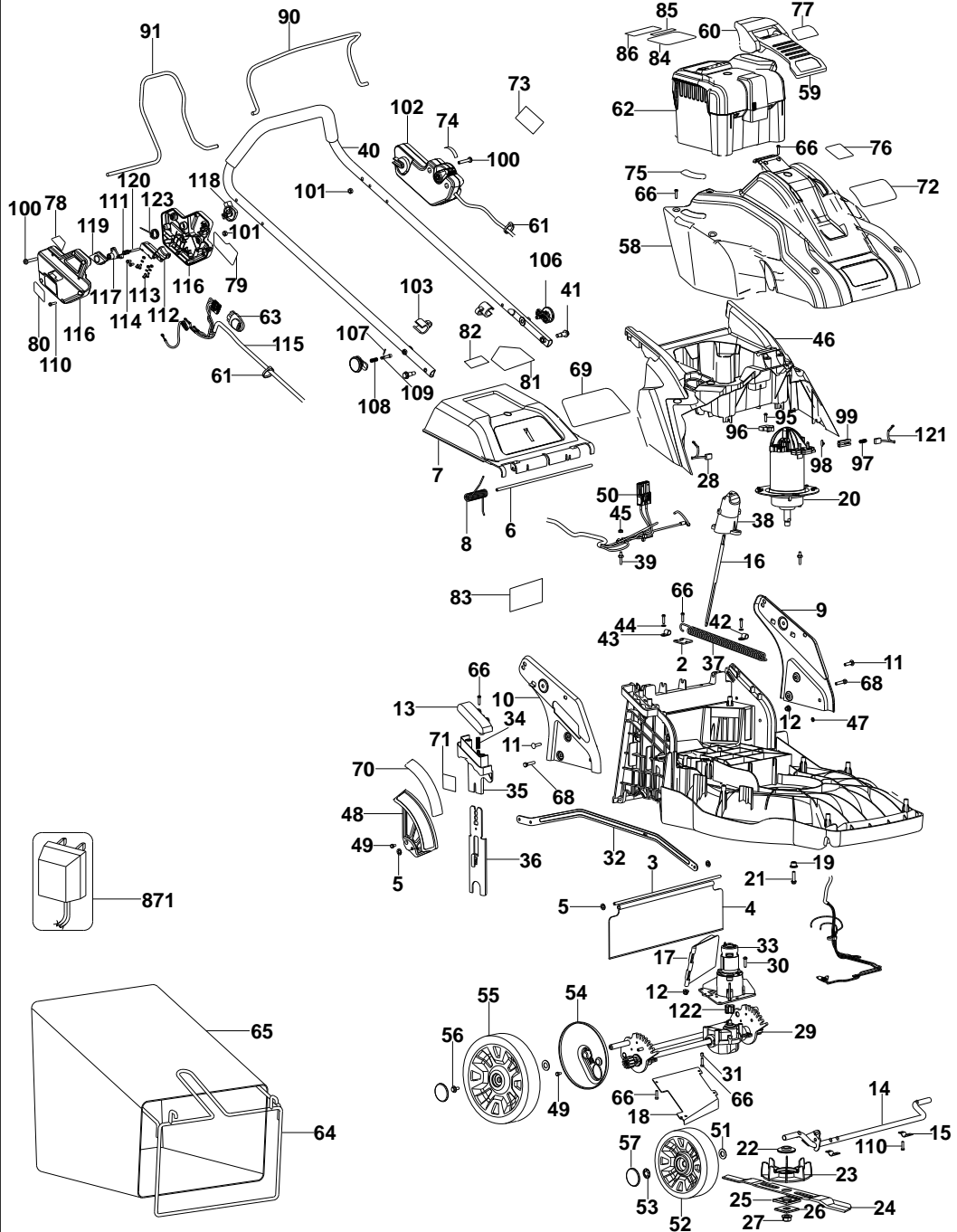
Η Black & Decker είναι σίγουρη για την ποιότητα των προϊόντων της και παρέχει μια εξαιρετική εγγύηση. Η παρούσα γραπτή εγγύηση αποτελεί πρόσθετο δικαίωμά σας και δεν ζημιώνει τα νόμιμα δικαιώματά σας. Η εγγύηση ισχύει εντός της επικράτειας των Κρατών Μελών της Ευρωπαϊκής Ένωσης και της Ευρωπαϊκής Ζώνης Ελευθέρων Συναλλαγών.

Σε περίπτωση που κάποιο προϊόν της Black & Decker παρουσιάσει βλάβη εξαιτίας ελαττωματικών υλικών, ποιότητας εργασίας ή ασυμφωνίας με τις προδιαγραφές εντός 24 μηνών από την ημερομηνία αγοράς, η Black & Decker εγγυάται την αντικατάσταση των ελαττωματικών τμημάτων, την επισκευή προϊόντων που έχουν υποστεί εύλογη φθορά λόγω χρήσης ή την αντικατάσταση των προϊόντων προκειμένου να εξασφαλίσει την ελάχιστη ενόχληση στους πελάτες της, εκτός εάν:

- ◆ Το προϊόν έχει χρησιμοποιηθεί σε εργασιακό, επαγγελματικό περιβάλλον ή έχει εννοικιαστεί.
- ◆ Έχει γίνει εσφαλμένη χρήση του προϊόντος ή έχει παραμεληθεί.
- ◆ Το προϊόν έχει υποστεί βλάβη από άλλα αντικείμενα, από ουσίες ή λόγω ατυχήματος.
- ◆ Έχει γίνει προσπάθεια επισκευής από μη εξουσιοδοτημένα κέντρα επισκευών ή από προσωπικό που δεν ανήκει στο προσωπικό της Black & Decker.

Για να ισχύσει η εγγύηση, πρέπει να υποβάλετε απόδειξη αγοράς στον πωλητή ή το εξουσιοδοτημένο κέντρο επισκευών. Ενημερωθείτε για το πλησιέστερο εξουσιοδοτημένο κέντρο επισκευών της περιοχής σας, επικοινωνώντας με τα γραφεία της Black & Decker στη διεύθυνση που αναγράφεται στο εγχειρίδιο. Επίσης, μια λίστα με τα εξουσιοδοτημένα κέντρα επισκευών της Black & Decker και πλήρεις λεπτομέρειες για τις υπηρεσίες που παρέχονται μετά την πώληση καθώς και στοιχεία επικοινωνίας υπάρχουν στο Διαδίκτυο, στη διεύθυνση: [www.2helpU.com](http://www.2helpU.com)

Παρακαλούμε επισκεφθείτε την ιστοσελίδα μας [www.blackanddecker.gr](http://www.blackanddecker.gr) για να καταχωρήσετε το νέο σας προϊόν Black & Decker και για να ενημερώνεστε για τα νέα προϊόντα και τις ειδικές προσφορές. Περισσότερες πληροφορίες σχετικά με τη μάρκα Black & Decker και τη σειρά των προϊόντων μας θα βρείτε στη διεύθυνση [www.blackanddecker.gr](http://www.blackanddecker.gr)



## ENGLISH

Do not forget to register your product!

[www.blackanddecker.co.uk/productregistration](http://www.blackanddecker.co.uk/productregistration)  
Register your product online at [www.blackanddecker.co.uk/productregistration](http://www.blackanddecker.co.uk/productregistration) or send your name, surname and product code to Black & Decker in your country

## DEUTSCH

Vergessen Sie nicht, Ihr Produkt registrieren zu lassen!

[www.blackanddecker.de/productregistration](http://www.blackanddecker.de/productregistration)  
Lassen Sie Ihr Produkt unter [www.blackanddecker.de/productregistration](http://www.blackanddecker.de/productregistration) online registrieren oder schicken Sie Ihren Nachnamen, Vornamen und den Produktcode an Black & Decker in Ihrem Land.

## FRANÇAIS

N'oubliez pas d'enregistrer votre produit !

[www.blackanddecker.fr/productregistration](http://www.blackanddecker.fr/productregistration)  
Enregistrez votre produit en ligne sur [www.blackanddecker.fr/productregistration](http://www.blackanddecker.fr/productregistration) ou envoyez vos nom, prénom et code produit à Black & Decker dans votre pays.

## ITALIANO

Non dimenticate di registrare il prodotto!

[www.blackanddecker.it/productregistration](http://www.blackanddecker.it/productregistration)  
Registrate il prodotto online su [www.blackanddecker.it/productregistration](http://www.blackanddecker.it/productregistration) o inviate nome, cognome e codice del prodotto al centro Black & Decker del vostro paese.

## NEDERLANDS

Vergeet niet uw product te registreren!

[www.blackanddecker.nl/productregistration](http://www.blackanddecker.nl/productregistration)  
U kunt uw product online registreren op [www.blackanddecker.nl/productregistration](http://www.blackanddecker.nl/productregistration) of u kunt uw voornaam, achternaam en productcode opsturen naar Black & Decker in uw land.

## ESPAÑOL

¡No olvide registrar su producto!

[www.blackanddecker.es/productregistration](http://www.blackanddecker.es/productregistration)  
Registre su producto on-line en [www.blackanddecker.es/productregistration](http://www.blackanddecker.es/productregistration) o envíe su nombre, apellidos y código de producto a Black & Decker en su país.

## PORTUGUÊS

Não se esqueça de registar o seu produto!

[www.blackanddecker.pt/productregistration](http://www.blackanddecker.pt/productregistration)  
Registe o seu produto online em [www.blackanddecker.pt/productregistration](http://www.blackanddecker.pt/productregistration) ou envie o seu nome, apelido e código do produto para a Black & Decker no seu país.

## SVENSKA

Glöm inte att registrera produkten!

[www.blackanddecker.se/productregistration](http://www.blackanddecker.se/productregistration)  
Registrera produkten online på [www.blackanddecker.se/productregistration](http://www.blackanddecker.se/productregistration) eller skicka namn och produktkod till Black & Decker i landet du bor i.

## NORSK

Ikke glem å registrere produktet ditt!

[www.blackanddecker.no/productregistration](http://www.blackanddecker.no/productregistration)  
Registrer produktet ditt online på [www.blackanddecker.no/productregistration](http://www.blackanddecker.no/productregistration), eller send ditt navn, etternavn og produktkode til Black & Decker i ditt eget land.

## DANSK

Glem ikke at registrere dit produkt!

[www.blackanddecker.dk/productregistration](http://www.blackanddecker.dk/productregistration)  
Registrer dit produkt på internettet på: [www.blackanddecker.dk/productregistration](http://www.blackanddecker.dk/productregistration) eller send dit navn, efternavn og produktkode til Black & Decker i dit eget land.

## SUOMI

Muistathan rekisteröidä tuotteesi!

[www.blackanddecker.fi/productregistration](http://www.blackanddecker.fi/productregistration)  
Rekisteröi tuotteesi verkossa osoitteessa [www.blackanddecker.fi/productregistration](http://www.blackanddecker.fi/productregistration) tai lähetä etunimesi, sukunimesi ja tuotekoodi oman maasi Black & Decker -edustajalle.

## ΕΛΛΗΝΙΚΑ

Μην ξεχάσετε να καταχωρίσετε το προϊόν σας!

[www.blackanddecker.gr/productregistration](http://www.blackanddecker.gr/productregistration)  
Καταχωρίστε το προϊόν σας σε σύνδεση στη σελίδα [www.blackanddecker.gr/productregistration](http://www.blackanddecker.gr/productregistration) ή στείλτε το όνομα, επίθετο σας και τον κωδικό προϊόντος στη Black & Decker στη χώρα σας.

<b>België/Belgique</b>	Black & Decker (Belgium) N.V. Nieuwlandlaan 7 I.Z. Aarschot B156 3200 Aarschot	Tel. Fax Tel. Fax	+32 70 220 065 +32 70 225 585 +32 70 220 064 +32 70 222 441
<b>Danmark</b>	Black & Decker Sluseholmen 2-4, 2450 København SV Internet: <a href="http://www.blackanddecker.dk">www.blackanddecker.dk</a>	Tel. Fax	70 20 15 10 70 22 49 10
<b>Deutschland</b>	Black & Decker GmbH Black & Decker Str. 40, D - 65510 Idstein	Tel. Fax	06126 21-0 06126 21-2980
<b>Ελλάδα</b>	Black & Decker (Ελλάς) Α.Ε. Στράβωνος 7 & Λεωφ. Βουλιαγμένης 159 166 74 Γλυφάδα - Αθήνα	Τηλ. Φαξ <a href="http://www.blackanddecker.com">www.blackanddecker.com</a>	210 8981-616 210 8983-570
<b>España</b>	Black & Decker Ibérica, S.C.A. Parc de Negocis "Mas Blau" Edificio Muntadas, c/Bergadá, 1, Of. A6 08820 El Prat de Llobregat (Barcelona)	Tel. Fax	934 797 400 934 797 419
<b>France</b>	Black & Decker (France) S.A.S. 5 allée des Hêtres B.P. 30084 69579 Limonest Cédex	Tel. Fax	04 72 20 39 20 04 72 20 39 00
<b>Helvetia</b>	ROFO AG Gewerbezone Seeblick 3213 Kleinbörsingen	Tel. Fax	026-6749391 026-6749394
<b>Italia</b>	Black & Decker Italia Srl Viale Elvezia 2 20052 Monza (MI)	Tel. Fax Numero verde	039-23871 039-2387592 800-213935
<b>Nederland</b>	Black & Decker Benelux Joulehof 12, 4622 RG Bergen op Zoom	Tel. Fax	+31 164 283 065 +31 164 283 200
<b>Norge</b>	Black&Decker Postboks 4613, Nydalen 0405 Oslo	Tlf. Fax <a href="http://www.blackanddecker.no">www.blackanddecker.no</a>	45 25 13 00 45 25 08 00
<b>Österreich</b>	Black & Decker Vertriebsges.m.b.H Oberlaaerstraße 248, A-1230 Wien	Tel. Fax	01 66116-0 01 66116-614
<b>Portugal</b>	Black & Decker Centro de Escritórios de Sintra Avenida Almirante Gago Coutinho, 132/134, Edifício 142710-418 Sintra 2710-418 Lisboa	Tel. Fax	214667500 214667580
<b>Suomi</b>	Black & Decker Oy Tekniikantie 12, 02150 Espoo Almirante Gago Coutinho, 132/134, Edifício 142710-418 Sintra 2710-418 Lisboa	Puh. Faksi	010 400 430 0800 411 340
<b>Sverige</b>	Black & Decker AB Box 94, 431 22 Mölndal	Tel. Fax	031-68 60 60 031-68 60 80
<b>United Kingdom</b>	Black & Decker 210 Bath Road Slough, Berkshire SL1 3YD	Tel. Fax	01753 511234 01753 551155
<b>Middle East &amp; Africa</b>	Black & Decker P.O.Box - 17164 Jebel Ali (South Zone), Dubai, UAE	Tel. Fax	+971 4 8863030 +971 4 8863333