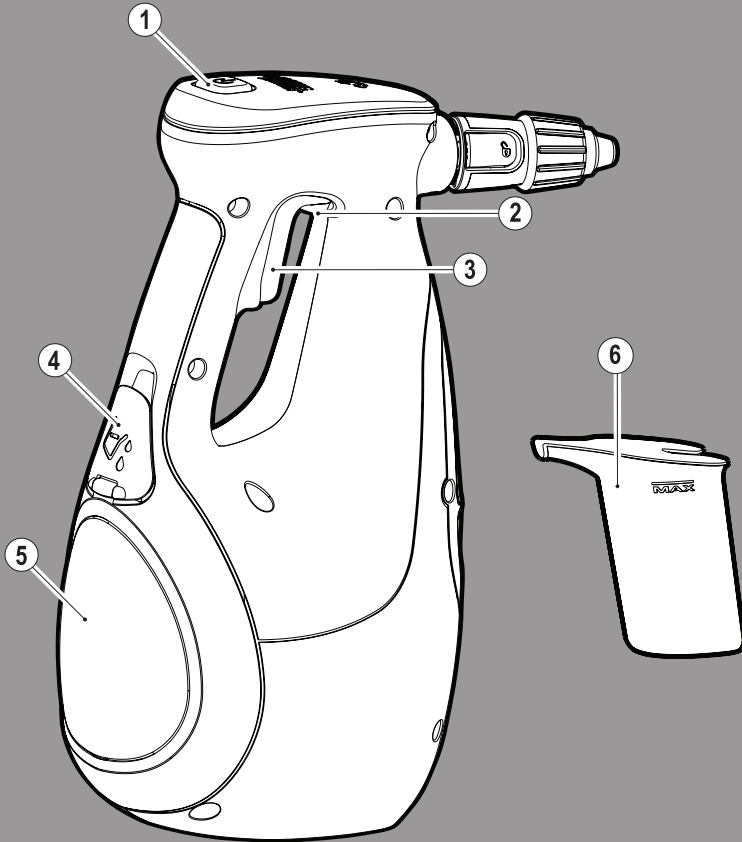
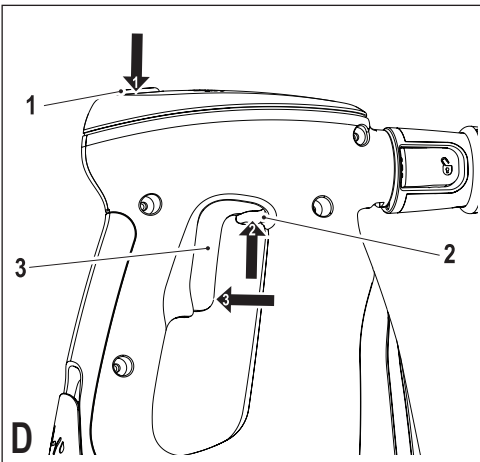
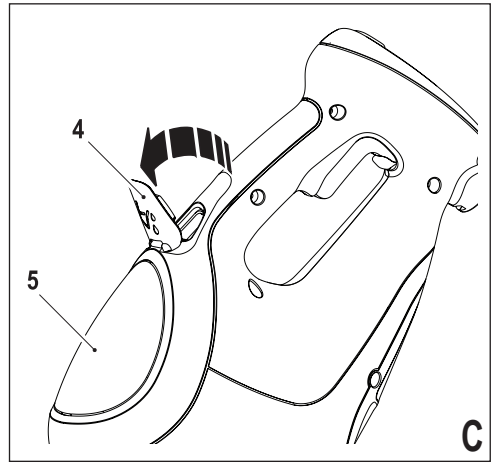
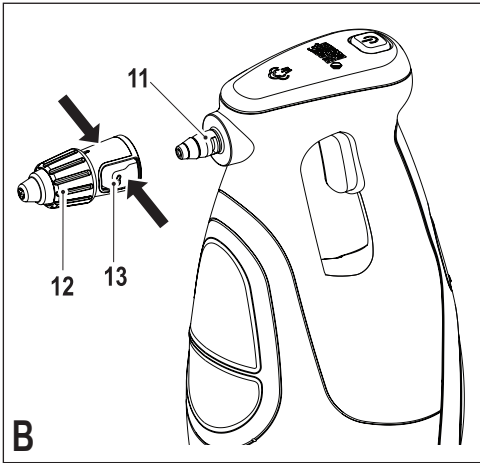
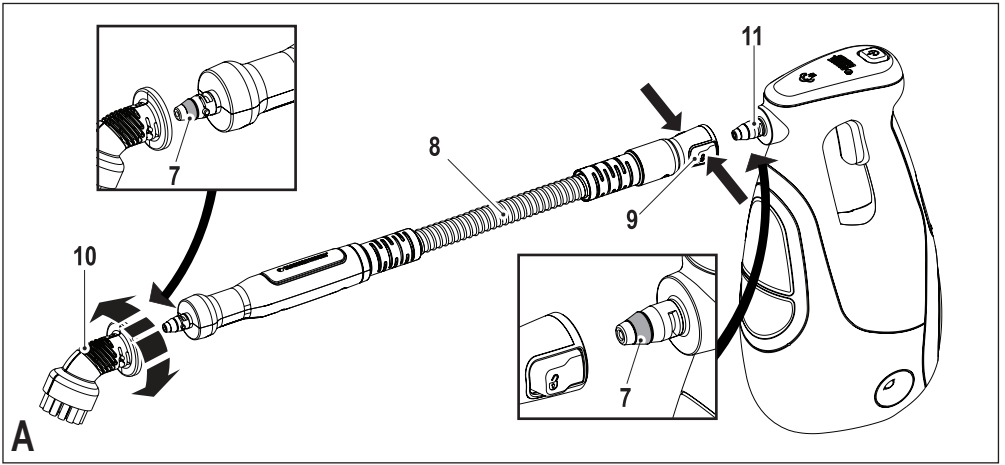




BLACK & DECKER®





Intended use

Your Black & Decker steam cleaner has been designed for sanitising and cleaning tiles, work tops, kitchen surfaces and bathroom surfaces. This appliance is intended for indoor household use only.



Warning! Read all of the 'Safety, Maintenance, Service' manual carefully before operating this appliance.

Read all of this manual carefully before operating the appliance.

Features

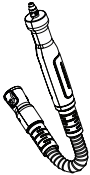
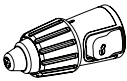
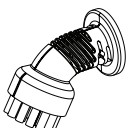
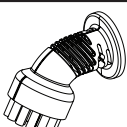
This appliance includes some or all of the following features.

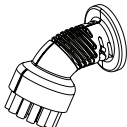
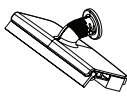


1. ON/Off switch
2. Lock off button
3. Trigger switch
4. Filler cap
5. Water tank
6. Jug

Accessories

This appliance includes some of the following accessories others are available to purchase from the Black & Decker website.

The performance of your appliance depends on the accessory used. Black & Decker accessories are engineered to high quality standards and designed to enhance the performance of your appliance. By using these accessories you will get the very best from your appliance.

	<p>Flexible hose and handle For convenient use of all accessories.</p>
	<p>Variable stem jet nozzle For higher pressure steam bursts, twist to change the spray pattern of the steam burst.</p>
	<p>Small brush (Blue) For cleaning bathrooms.</p>
	<p>Small brush (Yellow) For cleaning kitchens.</p>

	<p>Small brush (Green) For cleaning toilets.</p>
	<p>Large Squeegee For cleaning glass doors and windows. Warning! Do not use the window squeegee on cold glass. It may cause the glass to break.</p>
	<p>Detail tile cleaner For cleaning grouted areas between tiles.</p>
	<p>Large scrub brush cleaner with scraper For cleaning heavily soiled object such as BBQ's.</p>

Assembly

Warning! Before attempting any of the following operations, make sure that the appliance is switched off and unplugged and that the appliance is cold and does not contain any water.

Attaching the hose and accessories (Fig. A & B)

Warning! Inspect the seal (7) on the steam nozzle (11) and hose (8) before each use. If the seal is missing or damaged then please contact your nearest authorised repair agent. Do not use the appliance.

Attaching the hose (Fig. A)

- ◆ Press in the clips (9) on either side of the hose (8).
- ◆ Press the hose (8) onto the steam nozzle (11) and release the clips (9).

Important! Ensure that the hose (8) is securely fastened before using the hand held steam cleaner. If steam escapes from the joint then the hose is not correctly fit, allow the unit to cool then remove and re-fit the hose.

Attaching the variable steam jet nozzle (Fig. B)

- ◆ Press in the clips (13) on either side of the variable steam jet nozzle (12).
- ◆ Press the variable steam jet nozzle onto the steam nozzle (11) or the hose (8) and release the clips (13).

Important! Ensure that the variable steam jet nozzle (12) is securely fastened before using the hand held steam cleaner. If steam escapes from the joint then the variable steam jet nozzle is not correctly fit, allow the unit to cool then remove and re-fit the variable steam jet nozzle.

Attaching other accessories (Fig. A)

- ◆ Align the lugs on the hose (8) with the recesses on the accessory.
- ◆ Press the accessory (10) onto the hose (8) and twist anti-clockwise until the accessory clicks into place.

Note! The variable steam jet nozzle may be used without the hose by fitting them directly to steam nozzle. All other accessories must be connected to the hose for use.

Removing the hose and accessories(Fig. A & B)

Warning! The Steam nozzle, variable steam jet nozzle, hose and accessories become hot during use. Allow the unit and all accessories to cool before removing any accessories.

Removing an accessory (Fig. A)

- ◆ Twist the accessory (10) clockwise then pull away from the hose (8).

Removing the hose (Fig. A)

- ◆ Press in the clips (9) on either side of the hose (8) and pull away from the steam nozzle (11).

Removing the variable steam jet nozzle (Fig. B)

- ◆ Press in the clips (11) on either side of the variable steam jet nozzle (12) and pull away from the steam nozzle (11).

Filling the water tank (Fig. C)

This Steam cleaner incorporates an anti-calc system to help prolong the life of the system.

Note: Fill the water tank with clean tap water.

Note: In areas of very hard water, the use of de-ionised water is recommended.

- ◆ Switch off the unit and disconnect from the mains supply.
- ◆ Open the filler cap (4) by flipping it down.
- ◆ Using the jug (6), fill the water tank (5) with water.

Warning! Your water tank has a 0.35 litre capacity.

- ◆ Re-fit the filler cap (4).

Note: Ensure the filler cap is firmly secured.

Note: Do not use chemical cleaners with your steam mop..

Use**Switching on and off**

- ◆ To switch the appliance on, press the ON/OFF button (1). It takes approximately 15 seconds for the hand held steam cleaner to heat up.

Note: When the hand held steam cleaner is first turned on the water reservoir will glow red. Once the hand held steam cleaner is ready to use the water reservoir will glow blue.

- ◆ Lift the lock off switch (2) and pull the trigger switch (3). After a few seconds steam will be produced.
- ◆ To switch the appliance off, release the trigger switch (3) then press the ON/OFF button (1).

Caution! Always empty the hand held steam cleaner after use.

Note: When first filled or after running dry it can take up to 45 seconds for steam to be produced.

Caution! Steam may continue to be produced for a short time after the trigger switch (3) is released, this is normal. Switch off and allow the unit to cool before removing any accessories.

Hints for optimum use**General**

- ◆ For optimal cleaning results never use the hand held steam cleaner without first attaching an accessory.
- ◆ Do not use chemical cleaners with your hand held steam cleaner. To remove stubborn stains from vinyl or linoleum floors, you can pre-treat with a mild detergent and some water before using the steam mop.

Hand held steam cleaning

- ◆ Attach the required accessory.
- ◆ Connect the hand held steam cleaner to the mains.
- ◆ Press the ON/OFF button (1). It takes approximately 15 seconds for the hand held steam cleaner to heat up.
- ◆ Lift the lock off (2) and pull the trigger switch (3) to activate the steam pump. After a few seconds steam will start to come out of the accessory.

Note: When first filled or after running dry it can take up to 45 seconds for steam to be produced.

Note: During use you may turn off the steam pump by releasing the trigger switch, this convenient feature will allow you to place the hand held steam cleaner down for a short time so that you may move items of furniture, then continue cleaning without the need to switch the appliance off.

- ◆ When you have finished using the hand held steam cleaner, release the trigger switch (3), turn it 'OFF' and disconnect from the mains supply. Wait until the steam mop cools down before storing. (approximately five minutes)

Caution! It is important to monitor the water level in the water tank. To refill the water tank and continue to sanitise/clean, turn the hand held steam cleaner 'OFF'. Unplug the unit from the electrical wall outlet, refill the water tank (5).

After use

- ◆ Unplug the hand held steam cleaner from the electrical wall outlet.
- ◆ Allow the hand held steam cleaner to cool completely. (approximately five minutes)
- ◆ Empty the water tank (5).
- ◆ Remove the accessories and store in the storage bag provided.

Technical data

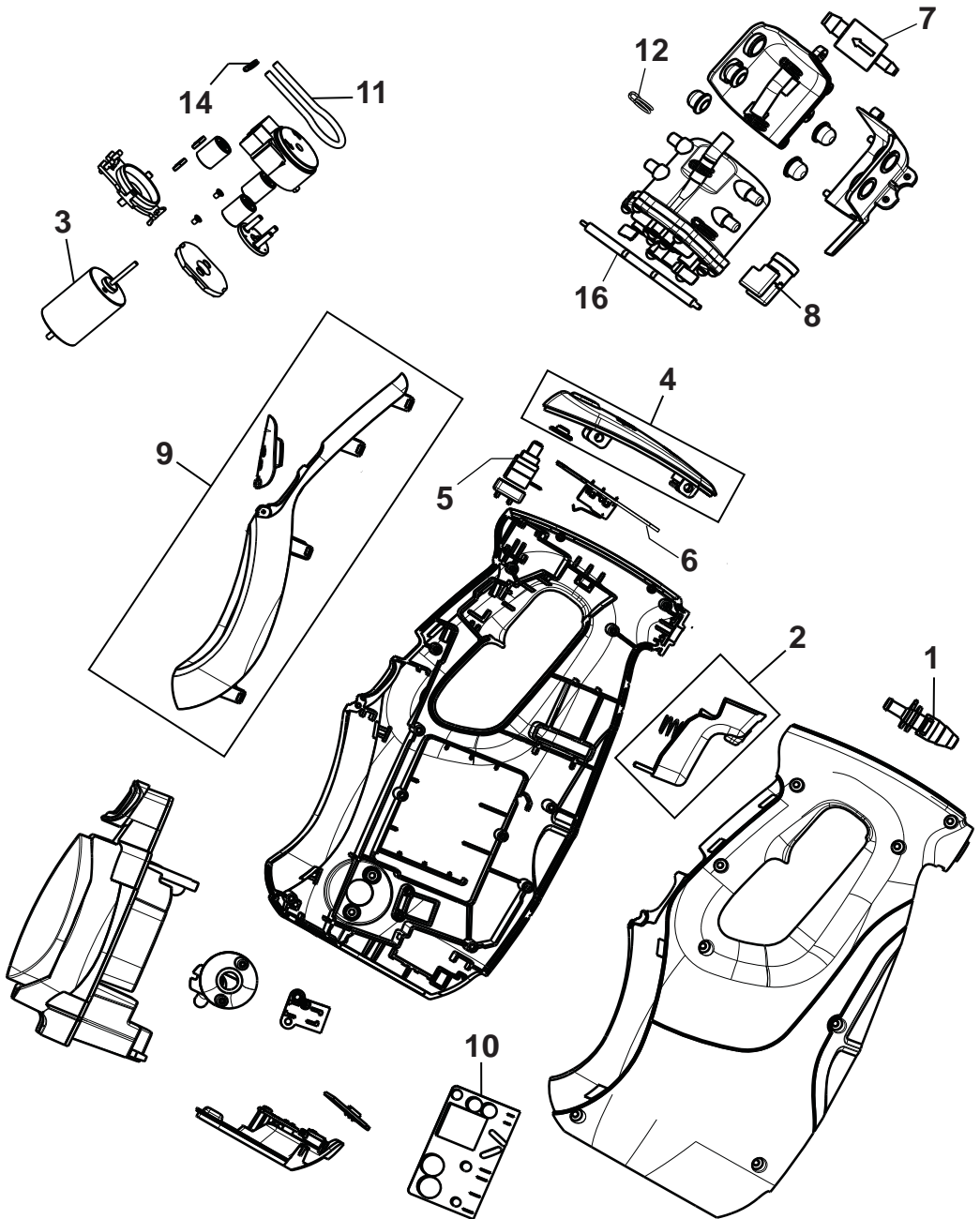
		FSS1600 (Type 1)
Voltage	V _{ac}	230
Power	W	1600
Tank capacity	ml	350
Weight	kg	2.5

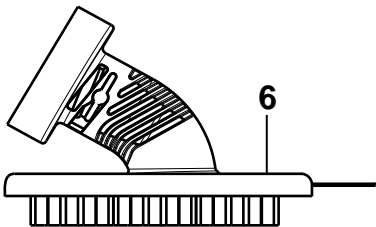
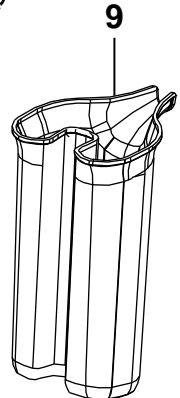
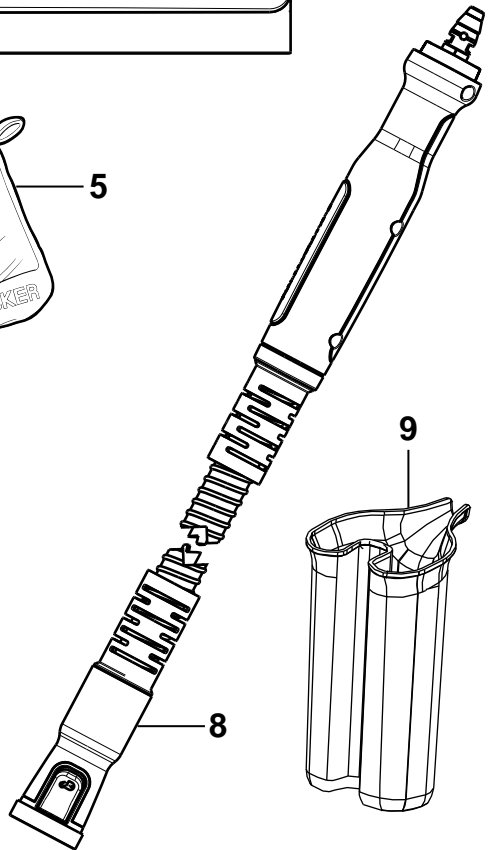
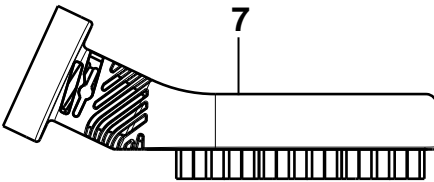
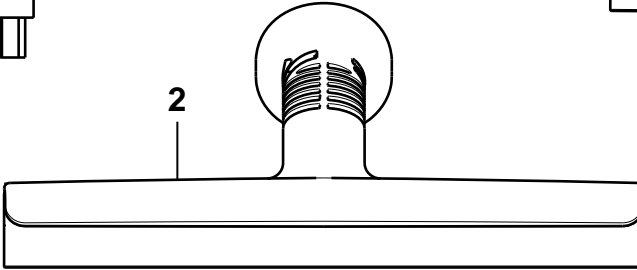
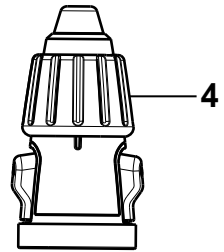
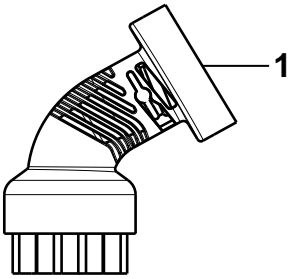
Problem	Step	Possible solutions
Where can I get further information / accessories for my steam mop.	12	www.blackanddecker.co.uk/steam mop www.blackanddecker.ie/steam mop

Troubleshooting

If your appliance seems not to operate properly, follow the instructions below. If this does not solve the problem, please contact your local Black & Decker repair agent.

Problem	Step	Possible solutions
The hand held steam cleaner is not turning on.	1	Check the unit is plugged in at the wall socket.
	2	Check the unit is switched on using the on/off switch (1).
	3	Check the fuse in the plug.
No steam is being produced from the hand held steam cleaner when the trigger is pulled.	4	The hand held steam cleaner has a lock off feature. Lift the lock off switch (2) and pull the trigger switch (3). After a few seconds steam will be produced.
	5	Check that the water tank (5) is full. NOTE: When first filled or after running dry it can take up to 45 seconds for steam to be produced.
	6	Check steps 1, then 2, then 3.
The hand held steam cleaner stops producing steam during use.	7	Check steps 5, then 3.
The hand held steam cleaner is producing too little steam during use.	8	Check step 5.
	9	The hand held steam cleaner will begin to produce steam after 15 seconds and will reach maximum steam flow after 45 seconds.
The accessories keep falling off the unit.	10	Refer to the assembly chapter of the manual for correct fitting instructions of all parts and accessories.
Steam is escaping from unexpected areas of the unit.	11	Refer to the assembly chapter of the manual for correct fitting instructions of all parts and accessories.





Australia

Black & Decker (Australia) Pty. Ltd.
20 Fletcher Road, Mooroolbark,
Victoria, 3138

Tel. 03-8720 5100
Fax 03-9727 5940

New Zealand

Black & Decker
5 Te Apunga Place
Mt Wellington
Auckland 1060

Tel. +64 9 259 1133
Fax +64 9 259 1122

United Kingdom

Black & Decker
210 Bath Road
Slough, Berkshire SL1 3YD

Tel. 01753 511234
Fax 01753 551155

A grey oval button with the word "ENGLISH" in white capital letters.

Do not forget to register your product!

www.blackanddecker.co.uk/productregistration

Register your product online at www.blackanddecker.co.uk/productregistration or send your name, surname and product code to Black & Decker in your country.