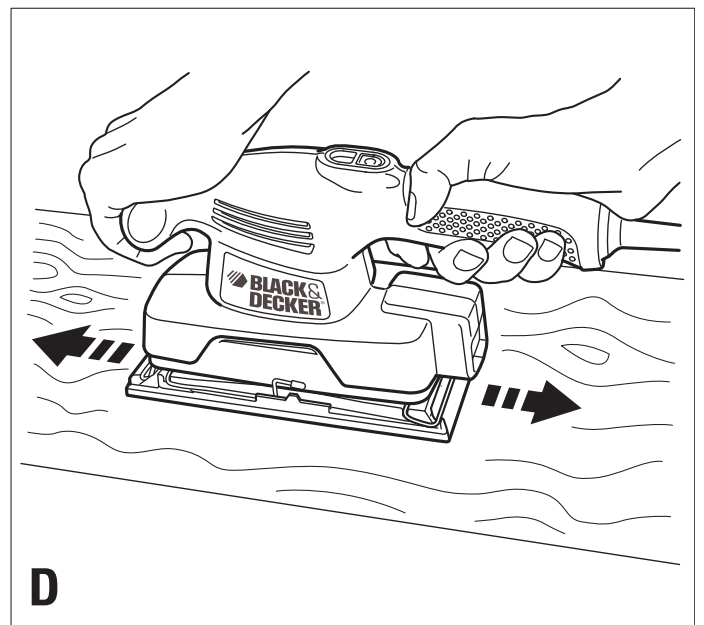
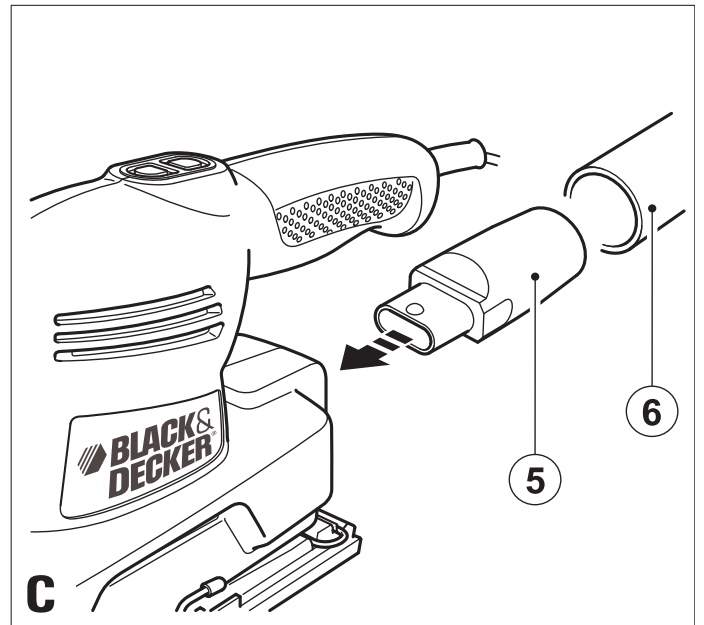
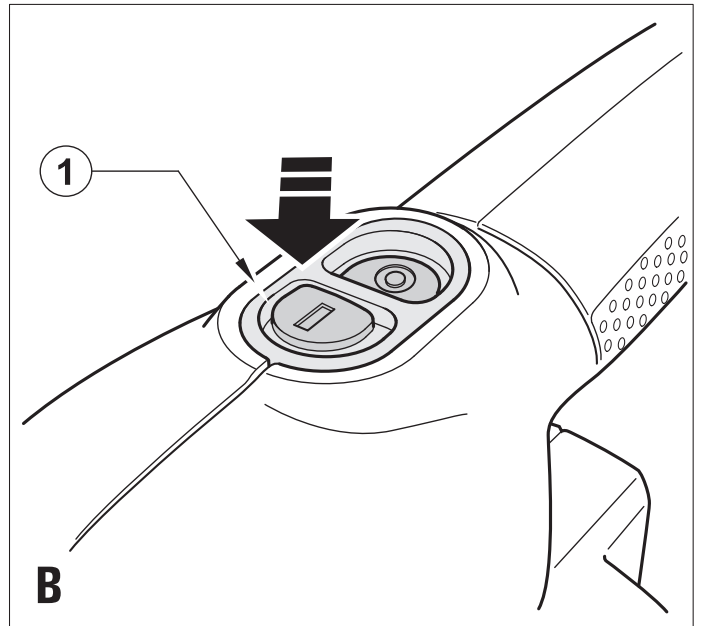
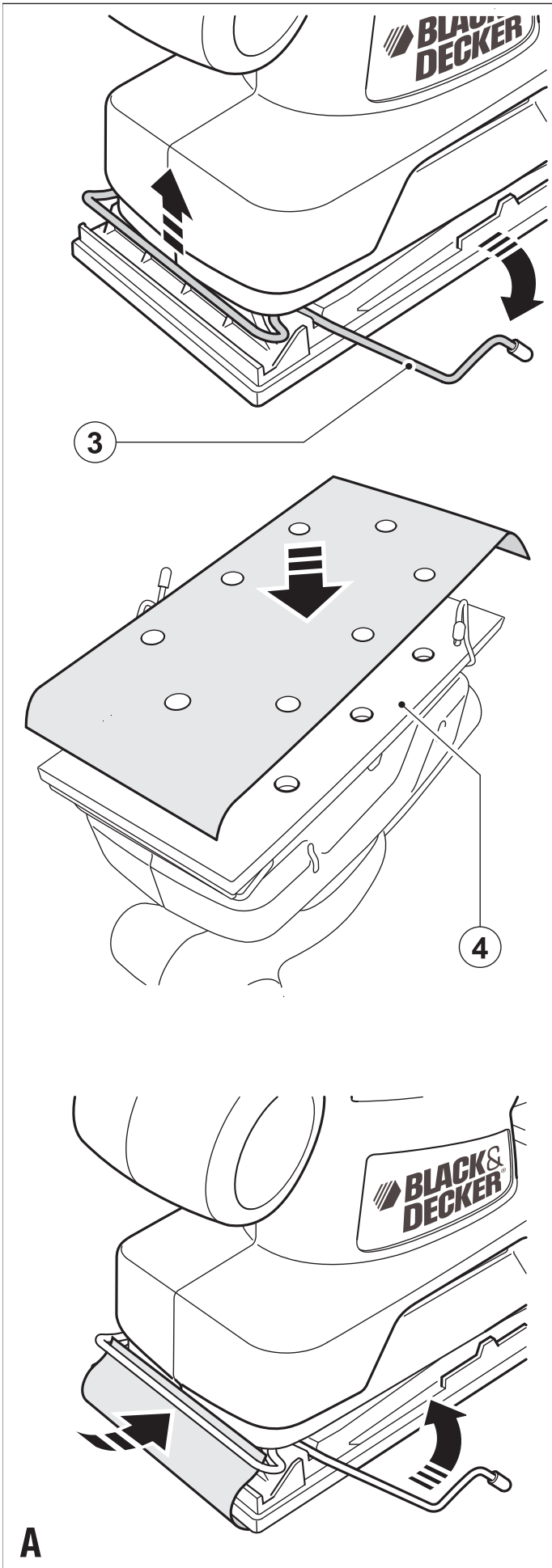


<b>English</b>	<b>(Original instructions)</b>	<b>4</b>
<b>Deutsch</b>	<b>(Übersetzung der Originalanleitung)</b>	<b>9</b>
<b>Français</b>	<b>(Traduction des instructions d'origine)</b>	<b>15</b>
<b>Česky</b>	<b>(Přeloženo z původního návodu)</b>	<b>20</b>
<b>Magyar</b>	<b>(Fordítás az eredeti kezelési utasítás alapján készült)</b>	<b>26</b>
<b>Polski</b>	<b>(Tłumaczenie oryginalnej instrukcji)</b>	<b>33</b>
<b>Slovenčina</b>	<b>(Preložené z pôvodného návodu)</b>	<b>39</b>
<b>Русский язык</b>	<b>(Перевод с оригинала инструкции)</b>	<b>44</b>
<b>Українська</b>	<b>(Переклад оригінальних інструкцій)</b>	<b>51</b>
<b>Türkçe</b>	<b>(Çevirisi orijinal talimatlardan yapılmıştır)</b>	<b>57</b>



## Intended use

Your Black & Decker sander has been designed for sanding wood, metal, plastics and painted surfaces. This tool is intended for consumer use only.

## Safety instructions

### General power tool safety warnings



**Warning! Read all safety warnings and all instructions.** Failure to follow all instructions may result in electric shock, fire and/or serious injury.

SAVE ALL WARNINGS AND INSTRUCTIONS FOR FUTURE REFERENCE.

The term "power tool" in all of the warnings listed below refers to your mains operated (corded) power tool or battery operated (cordless) power tool.

### 1. Work area safety

- a. **Keep work area clean and well lit.** Cluttered and dark areas invite accidents.
- b. **Do not operate power tools in explosive atmospheres, such as in the presence of flammable liquids, gases or dust.** Power tools create sparks which may ignite the dust or fumes.
- c. **Keep children and bystanders away while operating a power tool.** Distractions can cause you to lose control.

### 2. Electrical safety

- a. **Power tool plugs must match the outlet. Never modify the plug in any way. Do not use any adapter plugs with earthed (grounded) power tools.** Unmodified plugs and matching outlets will reduce risk of electric shock.
- b. **Avoid body contact with earthed or grounded surfaces such as pipes, radiators, ranges and refrigerators.** There is an increased risk of electric shock if your body is earthed or grounded.
- c. **Do not expose power tools to rain or wet conditions.** Water entering a power tool will increase the risk of electric shock.
- d. **Do not abuse the cord. Never use the cord for carrying, pulling or unplugging the power tool. Keep cord away from heat, oil, sharp edges or moving parts.** Damaged or entangled cords increase the risk of electric shock.
- e. **When operating a power tool outdoors, use an extension cord suitable for outdoor**

**use.** Use of a cord suitable for outdoor use reduces the risk of electric shock.

- f. **If operating a power tool in a damp location is unavoidable, use a residual current device (RCD) protected supply.** Use of an RCD reduces the risk of electric shock.
- ### 3. Personal safety
- a. **Stay alert, watch what you are doing and use common sense when operating a power tool. Do not use a power tool while you are tired or under the influence of drugs, alcohol or medication.** A moment of inattention while operating power tools may result in serious personal injury.
  - b. **Use personal protective equipment. Always wear eye protection.** Protective equipment such as dust mask, nonskid safety shoes, hard hat, or hearing protection used for appropriate conditions will reduce personal injuries.
  - c. **Prevent unintentional starting. Ensure the switch is in the off-position before connecting to power source and/ or battery pack, picking up or carrying the tool.** Carrying power tools with your finger on the switch or energising power tools that have the switch on invites accidents.
  - d. **Remove any adjusting key or wrench before turning the power tool on.** A wrench or a key left attached to a rotating part of the power tool may result in personal injury.
  - e. **Do not overreach. Keep proper footing and balance at all times.** This enables better control of the power tool in unexpected situations.
  - f. **Dress properly. Do not wear loose clothing or jewellery. Keep your hair, clothing and gloves away from moving parts.** Loose clothes, jewellery or long hair can be caught in moving parts.
  - g. **If devices are provided for the connection of dust extraction and collection facilities, ensure these are connected and properly used.** Use of these devices can reduce dust related hazards
- ### 4. Power tool use and care
- a. **Do not force the power tool. Use the correct power tool for your application.** The correct power tool will do the job better and safer at the rate for which it was designed.

- b. **Do not use the power tool if the switch does not turn it on and off.** Any power tool that cannot be controlled with the switch is dangerous and must be repaired.
  - c. **Disconnect the plug from the power source and/or the battery pack from the power tool before making any adjustments, changing accessories, or storing power tools.** Such preventive safety measures reduce the risk of starting the power tool accidentally.
  - d. **Store idle power tools out of the reach of children and do not allow persons unfamiliar with the power tool or these instructions to operate the power tool.** Power tools are dangerous in the hands of untrained users.
  - e. **Maintain power tools. Check for misalignment or binding of moving parts, breakage of parts and any other condition that may affect the power tools operation. If damaged, have the power tool repaired before use.** Many accidents are caused by poorly maintained power tools.
  - f. **Keep cutting tools sharp and clean.** Properly maintained cutting tools with sharp cutting edges are less likely to bind and are easier to control.
  - g. **Use the power tool, accessories and tool bits etc. in accordance with these instructions, taking into account the working conditions and the work to be performed.** Use of the power tool for operations different from those intended could result in a hazardous situation.
- 5. Service**
- a. **Have your power tool serviced by a qualified repair person using only identical replacement parts.** This will make sure that the safety of the power tool is maintained.

#### Additional power tool safety warnings



**Warning!** Additional safety warnings for sanders.

- **Hold power tool by insulated gripping surfaces, because the belt may contact its own cord.** Cutting a "live" wire may make exposed metal parts of the power tool "live" could give the operator an electric shock.
- **Use clamps or another practical way to secure and support the workpiece to a**

**stable platform.** Holding the work by hand or against your body leaves it unstable and may lead to loss of control.

- **Warning!** Contact with or inhalation of dusts arising from sanding applications may endanger the health of the operator and possible bystanders. Wear a dust mask specifically designed for protection against dust and fumes and ensure that persons within or entering the work area are also protected.
- Thoroughly remove all dust after sanding.
- Take special care when sanding paint which is possibly lead based or when sanding some woods and metal which may produce toxic dust:
- Do not let children or pregnant women enter the work area.
- Do not eat, drink or smoke in the work area.
- Dispose of dust particles and any other debris safely.

#### The intended use is described in this

**instruction manual.** The use of any accessory or attachment or performance of any operation with this tool other than those recommended in this instruction manual may present a risk of personal injury and/or damage to property.

#### Labels on tools

The following pictograms are shown on the tool:



**Warning!** To reduce the risk of injury, the user must read the instruction manual.

#### Safety of others

- This appliance is not intended for use by persons (including children) with reduced physical, sensory or mental capabilities, or lack of experience and knowledge, unless they have been given supervision or instruction concerning the use of the appliance by a person responsible for their safety.
- Children should be supervised to ensure that they do not play with the appliance.

#### Vibration

The declared vibration emission values stated in the technical data and the declaration of conformity have been measured in accordance with a standard test method provided by EN 60745 and may be used for comparing one tool with another. The declared vibration emission value may also be

used in a preliminary assessment of exposure.

**Warning!** The vibration emission value during actual use of the power tool can differ from the declared value depending on the ways in which the tool is used. The vibration level may increase above the level stated.

When assessing vibration exposure to determine safety measures required by 2002/44/EC to protect persons regularly using power tools in employment, an estimation of vibration exposure should consider, the actual conditions of use and the way the tool is used, including taking account of all parts of the operating cycle such as the times when the tool is switched off and when it is running idle in addition to the trigger time.

### Labels on tool

The following pictograms are shown on the tool:



**Warning!** To reduce the risk of injury, the user must read the instruction manual.

### Electrical safety



This tool is double insulated therefore no earth wire is required. Always check that the power supply corresponds to the voltage on the rating plate.

- If the supply cord is damaged, it must be replaced by the manufacturer or an authorised Black & Decker Service Centre in order to avoid a hazard.

### Using an extension cable

- Always use an approved extension cable suitable for the power input of this tool (see technical data). Before use, inspect the extension cable for signs of damage, wear and ageing. Replace the extension cable if damaged or defective. When using a cable reel, always unwind the cable completely. Use of an extension cable not suitable for the power input of the tool or which is damaged or defective may result in a risk of fire and electric shock.

### Features

1. On/off switch
2. Dust extraction outlet
3. Paper clamp lever
4. Sanding base

### Assembly

**Warning!** Before assembly, make sure that the tool is switched off and unplugged.

### Fitting sanding sheets (fig. A)

**Warning!** Never use the tool without a sanding sheet or accessory in place.

### Fitting regular sanding sheets (fig. A)

**Warning!** Make sure that the tool is switched off and unplugged.

- Soften the sanding sheet by rubbing its non-abrasive side over the edge of a worktop.
- Press the paper clamp levers (3) upwards to release them from the retaining grooves and open the paper clamps (3) by pressing them down.
- Place the sheet onto the sanding base (4).
- Insert the edge of the sanding sheet into the front paper clamp (3) as shown.
- Press the front paper clamp lever (3) downwards and locate it in the retaining groove.
- While keeping a slight tension on the sheet, insert the rear edge of the sheet into the rear paper clamp (3).
- Press the rear paper clamp lever (3) downwards and locate it in the retaining groove.

### Connecting a vacuum cleaner (fig. C)

- Insert the adaptor (5) into the dust extraction outlet (2).
- Connect the hose (6) of the vacuum cleaner to the adaptor (5).

### Residual risks

Additional residual risks may arise when using the tool which may not be included in the enclosed safety warnings. These risks can arise from misuse, prolonged use etc.

Even with the application of the relevant safety regulations and the implementation of safety devices, certain residual risks cannot be avoided. These include:

- Injuries caused by touching any rotating/moving parts.
- Injuries caused when changing any parts, blades or accessories.
- Injuries caused by prolonged use of a tool. When using any tool for prolonged periods make sure you take regular breaks.
- Impairment of hearing.
- Health hazards caused by breathing dust developer when using your tool (example:- working with wood, especially oak, beech and MDF).

## Use

**Warning!** Let the tool work at its own pace. Do not overload.

### Switching on and off (fig. B)

- To switch the tool on, press the part of the on/off switch (1) marked 'I'.
- To switch the tool off, press the part of the on/off switch (1) marked '0'.

### Hints for optimum use

- Do not place your hands over the ventilation slots.
- Always hold the tool with both hands (fig. D).
- Do not exert too much pressure on the tool.
- Regularly check the condition of the sanding sheet. Replace when necessary.
- Always sand with the grain of the wood (fig. D).
- When sanding new layers of paint before applying another layer, use extra fine grit.
- On very uneven surfaces, or when removing layers of paint, start with a coarse grit. On other surfaces, start with a medium grit. In both cases, gradually change to a fine grit for a smooth finish.
- Consult your retailer for more information on available accessories.

### Maintenance

- Your Black & Decker tool has been designed to operate over a long period of time with a minimum of maintenance. Continuous satisfactory operation depends upon proper tool care and regular cleaning.
- Before performing any maintenance, switch off and unplug the tool.
- Regularly clean the ventilation slots in your tool using a soft dry brush or dry cloth.
- Regularly clean the motor housing using a clean damp cloth. Do not use any abrasive or solvent-based cleaner.

### Mains plug replacement (U.K. & Ireland only)

If a new mains plug needs to be fitted:

- Safely dispose of the old plug.
- Connect the brown lead to the live terminal in the new plug.
- Connect the blue lead to the neutral terminal.

**Warning!** No connection is to be made to the earth terminal.

Follow the fitting instructions supplied with good quality plugs. Recommended fuse: 5 A.

## Protecting the environment



Separate collection. This product must not be disposed of with normal household waste.

Should you find one day that your tool needs replacement, or if it is of no further use to you, think of the protection of the environment. Black & Decker repair agents will accept old Black & Decker tools and ensure that they are disposed of in an environmentally safe way.



Separate collection of used products and packaging allows materials to be recycled and used again. Re-use of recycled materials helps prevent environmental pollution and reduces the demand for raw materials.

Local regulations may provide for separate collection of electrical products from the household, at municipal waste sites or by the retailer when you purchase a new product.

Black & Decker provides a facility for the collection and recycling of Black & Decker products once they have reached the end of their working life. To take advantage of this service please return your product to any authorised repair agent who will collect them on our behalf.

You can check the location of your nearest authorised repair agent by contacting your local Black & Decker office at the address indicated in this manual. Alternatively, a list of authorised Black & Decker repair agents and full details of our after-sales service and contacts are available on the Internet at: **[www.2helpU.com](http://www.2helpU.com)**.

## Technical data

		KA300 TYPE 1
Voltage	V <sub>AC</sub>	230
Power output	W	135
Oscillations (no load)	min <sup>-1</sup>	22 000
Orbits (no load)	min <sup>-1</sup>	11 000
Weight	kg	1,2

Level of sound pressure according to EN 60745:

Sound pressure (LpA) 78 dB(A),  
uncertainty (K) 3 dB(A)

Sound power (LWA) 89 dB(A),  
uncertainty (K) 3 dB(A)

Vibration total values (triax vector sum)  
according to EN 60745:

Vibration emission value (ah) 9.0 m/s<sup>2</sup>,  
uncertainty (K) 2.7 m/s<sup>2</sup>

## EC declaration of conformity

MACHINERY DIRECTIVE



KA300

Black & Decker declares that these products described under "technical data" are in compliance with: 2006/42/EC, EN60745-1, EN60745-2-4

For more information, please contact Black & Decker at the following address or refer to the back of the manual.

The undersigned is responsible for compilation of the technical file and makes this declaration on behalf of Black & Decker.

Kevin Hewitt  
Vice-President Global  
Engineering  
Black & Decker Europe,  
210 Bath Road, Slough,  
Berkshire, SL1 3YD  
United Kingdom  
10-02-2010

## Guarantee

Black & Decker is confident of the quality of its products and offers an outstanding guarantee. This guarantee statement is in addition to and in no way prejudices your statutory rights. The guarantee is valid within the territories of the Member States of the European Union and the European Free Trade Area.

If a Black & Decker product becomes defective due to faulty materials, workmanship or lack of conformity, within 24 months from the date of purchase, Black & Decker guarantees to replace defective parts, repair products subjected to fair wear and tear or replace such products to make sure of the minimum inconvenience to the customer unless:

- The product has been used for trade, professional or hire purposes.
- The product has been subjected to misuse or neglect.
- The product has sustained damage through foreign objects, substances or accidents.
- Repairs have been attempted by persons other than authorised repair agents or Black & Decker service staff.

To claim on the guarantee, you will need to submit proof of purchase to the seller or an authorised repair agent. You can check the location of your nearest authorised repair agent by contacting your local Black & Decker office at the address indicated in this manual. Alternatively, a list of authorised Black & Decker repair agents and full details of our aftersales service and contacts are available on the Internet at: [www.2helpU.com](http://www.2helpU.com)

Please visit our website

[www.blackanddecker.co.uk](http://www.blackanddecker.co.uk) to register your new Black & Decker product and to be kept up to date on new products and special offers. Further information on the Black & Decker brand and our range of products is available at [www.blackanddecker.co.uk](http://www.blackanddecker.co.uk).



## Bestimmungsgemäße Verwendung

Ihr Black & Decker Schleifer wurde zum Schleifen von Holz, Metall, Kunststoff und lackierten Oberflächen entwickelt. Dieses Gerät ist nicht für den gewerblichen Einsatz bestimmt.

## Sicherheitshinweise

### Allgemeine Sicherheitswarnungen für das Gerät



**Achtung! Sämtliche Sicherheitswarnungen und Anweisungen sind zu lesen.** Die Nichteinhaltung der aufgeführten Anweisungen kann einen elektrischen Schlag, Brand und/oder schwere Verletzungen verursachen.

HEBEN SIE SÄMTLICHE SICHERHEITSWARNUNGEN UND ANWEISUNGEN GUT AUF.

Der nachfolgend verwendete Begriff „Gerät“ bezieht sich auf netzbetriebene Geräte (mit Netzkabel) und auf akkubetriebene Geräte (ohne Netzkabel).


#### 1. Sicherheit im Arbeitsbereich

- a. **Halten Sie Ihren Arbeitsbereich sauber und gut ausgeleuchtet.** Unordnung und dunkle Arbeitsbereiche können zu Unfällen führen.
- b. **Arbeiten Sie mit Geräten nicht in explosionsgefährdeter Umgebung, in der sich brennbare Flüssigkeiten, Gase oder Stäube befinden.** Geräte erzeugen Funken, die den Staub oder die Dämpfe entzünden können.
- c. **Halten Sie Kinder und andere Personen während der Benutzung eines Gerätes fern.** Bei Ablenkung können Sie die Kontrolle verlieren.

#### 2. Elektrische Sicherheit

- a. **Der Netzstecker des Geräts muss in die Steckdose passen. Der Stecker darf in keiner Weise verändert werden. Verwenden Sie für Schutzgeerdete Geräte keine Adapterstecker.** Unveränderte Stecker und passende Steckdosen verringern das Risiko eines elektrischen Schlages.
- b. **Vermeiden Sie Körperkontakt mit geerdeten Oberflächen von Rohren, Heizungen, Herden und Kühlschränken.** Es besteht ein erhöhtes Risiko eines elektrischen Schlags, wenn Ihr Körper geerdet ist.

- c. **Halten Sie Geräte von Regen und Nässe fern.** Das Eindringen von Wasser in ein Gerät erhöht das Risiko eines elektrischen Schlages.
  - d. **Verwenden Sie das Kabel ordnungsgemäß. Verwenden Sie es niemals zum Tragen. Trennen Sie das Gerät nicht durch Ziehen am Kabel vom Netz. Halten Sie das Kabel fern von Hitze, Öl, scharfen Kanten oder sich bewegenden Teilen.** Beschädigte oder verwickelte Kabel erhöhen das Risiko eines elektrischen Schlages.
  - e. **Wenn Sie mit einem Gerät im Freien arbeiten, verwenden Sie nur Verlängerungskabel, die auch für den Außenbereich zugelassen sind.** Die Verwendung eines für den Außenbereich geeigneten Verlängerungskabels verringert das Risiko eines elektrischen Schlages.
  - f. **Wenn das Gerät in einer feuchten Umgebung verwendet werden muss, schließen Sie es unbedingt an eine Steckdose mit Fehlerstromschutzschalter (RCD).** Die Verwendung eines Fehlerstromschutzschalters verringert das Risiko eines elektrischen Schlages.
- #### 3. Sicherheit von Personen
- a. **Seien Sie aufmerksam, achten Sie darauf, was Sie tun, und gehen Sie vernünftig mit dem Gerät um. Benutzen Sie das Gerät nicht, wenn Sie müde sind oder unter dem Einfluss von Drogen, Alkohol oder Medikamenten stehen.** Ein Moment der Unachtsamkeit beim Gebrauch von Geräten kann zu ernsthaften Verletzungen führen.
  - b. **Verwenden Sie eine geeignete Schutzausrüstung. Tragen Sie stets eine Schutzbrille.** Schutzausrüstung wie Staubmaske, rutschfeste Sicherheitsschuhe, Schutzhelm oder Gehörschutz, je nach Art und Einsatz des Gerätes, verringert das Risiko von Verletzungen.
  - c. **Vermeiden Sie eine unbeabsichtigte Inbetriebnahme. Vergewissern Sie sich, dass das Gerät ausgeschaltet ist, bevor Sie es an eine Steckdose oder einen Akku schließen, es hochheben oder tragen.** Durch das Tragen des Gerätes mit dem Finger am Schalter oder durch das Anschließen eingeschalteter Geräte werden Unfälle provoziert.

- d. **Entfernen Sie Einstell- oder Schraubenschlüssel, bevor Sie das Gerät einschalten.** Ein Schlüssel in einem sich drehenden Teil kann zu Verletzungen führen.
- e. **Strecken Sie sich nicht zu weit nach vorne. Achten Sie auf einen sicheren Stand, um in jeder Arbeitsposition das Gleichgewicht zu halten.** Dadurch können Sie das Gerät in unerwarteten Situationen besser unter Kontrolle halten.
- f. **Tragen Sie geeignete Kleidung. Tragen Sie keine weite Kleidung oder Schmuck. Halten Sie Haare, Kleidung und Handschuhe fern von sich bewegenden Teilen.** Lockere Kleidung, Schmuck oder lange Haare können von sich bewegenden Teilen erfasst werden.
- g. **Falls Staubabsaug- und -fangvorrichtungen vorhanden sind, vergewissern Sie sich, dass diese angeschlossen sind und richtig verwendet werden.** Diese Vorrichtungen verringern Gefährdungen durch Staub.
4. **Gebrauch und Pflege von Geräten**
- a. **Überlasten Sie das Gerät nicht. Verwenden Sie das für Ihre Arbeit passende Gerät.** Durch das Arbeiten in dem für das Gerät angegebenen Leistungsbereich erzielen Sie nicht nur optimale Ergebnisse, Sie erhöhen auch die Sicherheit.
- b. **Verwenden Sie das Gerät nicht, wenn der Ein-/Ausschalter nicht funktioniert.** Ein Gerät, das sich nicht mehr ein- oder ausschalten lässt, ist gefährlich und muss repariert werden.
- c. **Ziehen Sie den Stecker aus der Steckdose oder trennen Sie das Gerät vom Akku, bevor Sie Einstellungen vornehmen, Zubehörteile wechseln oder das Gerät weglegen.** Diese Vorsichtsmaßnahme verhindert den unbeabsichtigten Start des Gerätes.
- d. **Bewahren Sie unbenutzte Geräte außerhalb der Reichweite von Kindern auf. Lassen Sie Geräte nicht von Personen benutzen, die damit nicht vertraut sind oder diese Anweisungen nicht gelesen haben.** Geräte sind gefährlich, wenn sie von unerfahrenen Personen benutzt werden.
- e. **Halten Sie Geräte in einem einwandfreien Zustand. Kontrollieren Sie, ob bewegliche Teile falsch ausgerichtet sind oder klemmen und ob Teile gebrochen oder so beschädigt sind, dass die Funktion des Gerätes beeinträchtigt ist. Lassen Sie beschädigte Geräte vor dem Gebrauch reparieren.** Viele Unfälle haben ihre Ursache in schlecht gewarteten Geräten.
- f. **Halten Sie Schneidwerkzeuge scharf und sauber.** Sorgfältig gepflegte Schneidwerkzeuge mit scharfen Schneidkanten verkleben sich weniger und sind leichter zu führen.
- g. **Verwenden Sie Gerät, Zubehör, Einsatz-Bits usw. entsprechend diesen Anweisungen, und berücksichtigen Sie dabei die Arbeitsbedingungen und die auszuführende Arbeit.** Der Gebrauch von Geräten für andere als die vorgesehenen Anwendungen kann zu gefährlichen Situationen führen.
5. **Service**
- a. **Lassen Sie das Gerät nur von qualifiziertem Fachpersonal und nur mit Originalersatzteilen reparieren.** Damit wird gewährleistet, dass die Sicherheit des Gerätes erhalten bleibt.
- Zusätzliche Sicherheitswarnungen für das Gerät**
-  **Achtung!** Zusätzliche Sicherheitswarnungen für Schleifgeräte.
- **Halten Sie das Gerät an den isolierten Griffflächen, da das Schleifband mit dem Gerätekabel in Berührung kommen könnte.** Der Kontakt mit stromführenden Leitungen setzt möglicherweise offenliegende Metallteile am Gerät unter Strom und kann einen Stromschlag verursachen.
  - **Fixieren Sie das Werkstück mit Zwingen oder ähnlichen Hilfsmitteln auf einer stabilen Oberfläche.** Wenn Sie das Werkstück nur mit den Händen oder gegen Ihren Körper halten, können Sie leicht die Kontrolle verlieren.
  - **Achtung!** Die beim Schleifen von bestimmten Materialien entstehenden Stäube können bei Berührung oder Einatmen zu gesundheitlichen Schäden führen. Tragen Sie eine speziell für den Schutz vor Stäuben und Dämpfen vorgesehene Staubmaske, und stellen Sie sicher, dass auch andere Personen geschützt sind, die den Arbeitsplatz betreten oder sich dort aufhalten.

- Entfernen Sie nach dem Schleifen sorgfältig alle Staubreste.
- Treffen Sie beim Schleifen von möglicherweise bleihaltiger Farbe oder von bestimmten Holz- und Metallarten, die giftigen Staub bilden können, besondere Maßnahmen:
- Verhindern Sie, dass Kinder oder Schwangere den Arbeitsplatz betreten.
- Essen, trinken und rauchen Sie nicht am Arbeitsplatz.
- Entsorgen Sie Staubteilchen und andere Schleifabfälle auf sachgerechte Weise.

**Der vorgesehene Verwendungszweck ist in dieser Anleitung beschrieben.** Die Verwendung von Zubehör oder Anbauteilen, die nicht in dieser Anleitung empfohlen sind, sowie die Bedienung des Geräts in Abweichung von den in dieser Anleitung beschriebenen Verfahren kann zu Verletzungen und/oder Sachschäden führen.

### Warnsymbole am Gerät

Am Gerät sind folgende Warnsymbole angebracht:



**Achtung!** Lesen Sie vor Gebrauch die Anleitung durch. Andernfalls besteht Verletzungsgefahr.

### Sicherheit anderer Personen

- Dieses Gerät darf nicht von Personen (einschließlich Kindern) mit eingeschränkten körperlichen, sensorischen oder geistigen Fähigkeiten oder mangelnder Erfahrung und Wissen in Bezug auf dessen Gebrauch bedient werden, es sei denn, sie werden bei der Verwendung des Geräts von einer erfahrenen Person beaufsichtigt oder angeleitet.
- Kinder müssen beaufsichtigt werden, um sicherzustellen, dass sie nicht mit dem Gerät spielen.

### Vibration

Die in den Abschnitten "Technische Daten" und "EUKonformitätserklärung" angegebenen Werte für die Vibrationsemission wurden mit einer Standard-Prüfmethode nach EN 60745 ermittelt und können zum Vergleich verschiedener Geräte herangezogen werden. Außerdem kann mit Hilfe dieses Werts die Belastung bei Verwendung des Geräts schon vor seiner Inbetriebnahme festgestellt werden.

**Achtung!** Der während der Verwendung des Geräts gemessene Wert der Vibrationsemission

richtet sich nach der Art des Gerätegebrauchs und kann dementsprechend von dem oben angegebenen Wert abweichen. Das gemessene Vibrationsniveau kann über dem angegebenen Wert liegen.

Mit Hilfe der ermittelten Werte der Vibrationsbelastung durch Elektrogeräte lassen sich Sicherheitsmaßnahmen festlegen, die gemäß 2002/44/EC zum Schutze von Personen bestimmt sind, die diese Geräte regelmäßig bei der Arbeit verwenden. Bei der Einschätzung der Vibrationsbelastung sollten die Gebrauchsumstände und die Art der Verwendung des Geräts sowie alle Schritte des Arbeitszyklus berücksichtigt werden, wozu Ruhe-, Leerlauf- und Startzeiten gehören.

### Elektrische Sicherheit



Dieses Gerät ist schutzisoliert, daher ist keine Erdleitung erforderlich. Überprüfen Sie immer, ob die Netzspannung der auf dem Typenschild des Gerätes angegebenen Spannung entspricht.

- Ist das Netzkabel beschädigt, muss es durch den Hersteller oder eine Black & Decker Vertragswerkstatt ausgetauscht werden, um eine mögliche Gefährdung zu vermeiden.

### Verwenden eines Verlängerungskabels

- Verwenden Sie nur geprüfte Verlängerungskabel, die für Leistungsaufnahme dieses Gerätes ausgelegt sind (siehe Technische Daten). Prüfen Sie vor der Inbetriebnahme das Netzkabel auf Verschleiß und Beschädigungen. Wechseln Sie beschädigte oder fehlerhafte Verlängerungskabel aus. Beim Verwenden einer Kabeltrommel muss das Kabel stets vollständig abgewickelt sein. Die Verwendung eines Verlängerungskabels, das für die Leistungsaufnahme des Gerätes nicht ausgelegt ist oder eines beschädigten oder fehlerhaften Kabels kann zur Entstehung von Bränden und zu elektrischen Schlägen führen.

### Merkmale

1. Ein-/Aus-Schalter
2. Staubabsaugöffnung
3. Papierspannhebel
4. Schleifplatte

## Montage

**Achtung!** Vergewissern Sie sich vor der Montage, dass das Gerät ausgeschaltet ist und dass der Netzstecker gezogen wurde.

### Anbringen der Schleifblätter (Abb. A)

Achtung! Verwenden Sie das Gerät nur mit einem Schleifblatt oder anderem Zubehör.

### Anbringen der Standardschleifblätter (Abb. A)

**Achtung!** Vergewissern Sie sich, dass das Gerät ausgeschaltet ist und dass der Netzstecker gezogen wurde.

- Machen Sie das Schleifblatt geschmeidig, indem Sie es mit der kornlosen Seite mehrmals über die Kante einer Arbeitsplatte streifen.
- Drücken Sie die Papierspannhebel (3) nach oben, um sie aus den Haltekerben zu lösen, und öffnen Sie die Papierklemmen (3), indem Sie sie nach unten drücken.
- Legen Sie das Blatt auf die Schleifplatte (4) auf.
- Führen Sie das Ende des Schleifblattes wie abgebildet in die vordere Papierklemme (3) ein.
- Drücken Sie den vorderen Papierspannhebel (3) nach unten in die Haltekerbe.
- Spannen Sie das hintere Ende des Schleifblattes mit leichtem Zug in die hintere Papierklemme (3).
- Drücken Sie den hinteren Papierspannhebel (3) nach unten in die Haltekerbe.

### Anschließen eines Staubsaugers (Abb. C)

- Setzen Sie den Adapter (5) in die Staubabsaugöffnung (2) ein.
- Schließen Sie den Schlauch (6) des Staubsaugers am Adapter (5) an.

## Restrisiken

Für den Gebrauch dieses Geräts verbleiben zusätzliche Restrisiken, die möglicherweise nicht in den Sicherheitswarnungen genannt werden. Diese Risiken bestehen beispielsweise bei Missbrauch oder längerem Gebrauch. Auch bei der Einhaltung der entsprechenden Sicherheitsvorschriften und der Verwendung aller Sicherheitsgeräte bestehen weiterhin bestimmte Restrisiken. Diese werden im Folgenden aufgeführt:

- Verletzungen, die durch das Berühren von sich drehenden/bewegenden Teilen verursacht werden.

- Verletzungen, die durch das Austauschen von Teilen, Messern oder Zubehör verursacht werden.
- Verletzungen, die durch längeren Gebrauch eines Geräts verursacht werden. Legen Sie bei längerem Gebrauch regelmäßige Pausen ein.
- Beeinträchtigung des Gehörs.
- Gesundheitsrisiken durch das Einatmen von Staub beim Gebrauch des Geräts (Beispielsweise bei Holzarbeiten, insbesondere Eiche, Buche und Pressspan).

## Gebrauch

**Achtung!** Beschleunigen Sie den Arbeitsvorgang nicht mit Gewalt. Vermeiden Sie eine Überlastung des Gerätes.

### Ein- und Ausschalten (Abb. B)

- Zum Einschalten des Gerätes drücken Sie auf den mit „I“ gekennzeichneten Teil des Ein-/Ausschalters (1).
- Zum Ausschalten des Gerätes drücken Sie auf den mit „0“ gekennzeichneten Teil des Ein-/Ausschalters (1).

### Hinweise für optimale Funktion

- Legen Sie die Hände nicht auf die Lüftungsschlitze.
- Halten Sie das Gerät immer mit beiden Händen (Abb. D).
- Üben Sie keinen zu großen Druck auf das Gerät aus.
- Überprüfen Sie regelmäßig den Zustand des Schleifblattes. Tauschen Sie es bei Bedarf aus.
- Schleifen Sie immer in Richtung der Holzmaserung (Abb. D).
- Zum Schleifen frischer Farbschichten vor dem Auftragen weiterer Schichten verwenden Sie sehr feines Schleifpapier.
- Auf sehr unebenen Oberflächen sowie zum Entfernen alter Farbschichten verwenden Sie zunächst grobes Schleifpapier. Auf anderen Oberflächen verwenden Sie zunächst mittelgrobes Schleifpapier. In beiden Fällen wechseln Sie nach einiger Zeit auf feines Schleifpapier, damit Sie eine sehr glatte Oberfläche erhalten.
- Wenden Sie sich für weitere Informationen über Zubehör an Ihren Händler.

## Wartung

- Ihr Black & Decker Gerät wurde im Hinblick auf eine lange Lebensdauer und einen möglichst geringen Wartungsaufwand

entwickelt. Ein dauerhafter, einwandfreier Betrieb setzt eine regelmäßige Pflege und Reinigung voraus.

- Schalten Sie das Gerät vor der Durchführung von Pflege-, Reinigungs- und Wartungsarbeiten aus, und ziehen Sie den Netzstecker.
- Reinigen Sie regelmäßig die Lüftungsschlitze im Gerät mit Hilfe einer weichen trockenen Bürste oder eines trockenen Tuches.
- Reinigen Sie regelmäßig das Motorgehäuse mit Hilfe eines sauberen, feuchten Tuches. Verwenden Sie keine scheuernden Reinigungsmittel oder Reinigungsmittel auf Lösungsmittelbasis.

### Umweltschutz



Getrennte Entsorgung. Dieses Produkt darf keinesfalls mit dem Hausmüll entsorgt werden.

Wenn Sie das Gerät durch ein neues Gerät ersetzen möchten oder keine Verwendung mehr dafür haben, denken Sie bitte an den Schutz der Umwelt. Black & Decker nimmt Ihre ausgedienten Black & Decker Geräte gern zurück und sorgt für eine umweltgerechte Entsorgung.



Durch die separate Sammlung von ausgedienten Produkten und Verpackungsmaterialien können Rohstoffe recycelt und wieder verwendet werden. Die Wiederverwendung aufbereiteter Materialien trägt zur Vermeidung der Umweltverschmutzung bei und senkt den Rohstoffbedarf.

Die Verordnung zur Abfallentsorgung Ihrer Gemeinde sieht möglicherweise vor, dass Elektrogeräte getrennt vom Hausmüll gesammelt, an der örtlichen Abfallentsorgungseinrichtung abgegeben oder beim Kauf eines neuen Produkts vom Fachhandel zur Entsorgung angenommen werden müssen.

Black & Decker nimmt Ihre ausgedienten Black & Decker-Geräte gern zurück und sorgt für eine umweltfreundliche Entsorgung bzw. Wiederverwertung. Um diese Dienstleistung in Anspruch zu nehmen, geben Sie das Gerät bitte bei einer autorisierten Reparaturwerkstatt ab, die für uns die Einsammlung übernimmt.

Die Adresse der zuständigen Niederlassung von Black & Decker steht in dieser Anleitung. Diese teilt Ihnen gerne die nächstgelegene Vertragswerkstatt mit. Außerdem ist eine Liste der

Vertragswerkstätten und aller Kundendienststellen von Black & Decker sowie der zuständigen Ansprechpartner im Internet zu finden unter: [www.2helpU.com](http://www.2helpU.com).

### Technische Daten

		KA300 TYP 1
Spannung	$V_{AC}$	230
Leistungsabgabe	$W$	135
Schwingungen (lastfrei)	$min^{-1}$	22 000
Umläufe (lastfrei)	$min^{-1}$	11 000
Gewicht	$kg$	1,2

Schalldruckpegel gemäß EN 60745:

Schalldruck (LpA) 78 dB(A),  
 Unsicherheitsfaktor (K) 3 dB(A)  
 Schalleistung (LWA) 89 dB(A),  
 Unsicherheitsfaktor (K) 3 dB(A)  
 Gesamtvibration (Triax-Vektorsumme)  
 gemäß EN 60745:

Bewertete Vibrationsemissionen (ah) 9,0 m/s<sup>2</sup>,  
 Unsicherheitsfaktor (K) 2,7 m/s<sup>2</sup>

### EU-Konformitätserklärung RICHTLINIE FÜR MASCHINEN



Black & Decker erklärt, dass die unter „Technische Daten“ beschriebenen Produkte den folgenden Normen entsprechen: 2006/42/EC, EN60745-1, EN60745-2-4

Weitere Informationen erhalten Sie von Black & Decker unter der folgenden Adresse bzw. mithilfe der Angaben auf der Rückseite dieser Anleitung.

Der Unterzeichnete ist verantwortlich für die Zusammenstellung der technischen Daten und gibt diese Erklärung im Namen von Black & Decker ab.

*K. Hewitt*

Kevin Hewitt  
 Vice-President Global  
 Engineering  
 Black & Decker Europe,  
 210 Bath Road, Slough,  
 Berkshire, SL1 3YD  
 United Kingdom  
 10-02-2010

## Garantie

Black & Decker vertraut auf die Qualität der eigenen Geräte und bietet dem Käufer eine außergewöhnliche Garantie. Diese Garantiezusage versteht sich unbeschadet der gesetzlichen Gewährleistungsansprüche und schränkt diese keinesfalls ein. Sie gilt in sämtlichen Mitgliedsstaaten der Europäischen Union und der Europäischen Freihandelszone EFTA.

Tritt innerhalb von 24 Monaten ab Kaufdatum an einem Gerät von Black & Decker ein auf Material- oder Verarbeitungsfehler zurückzuführender Mangel auf, garantiert Black & Decker den Austausch defekter Teile, die Reparatur von Geräten mit üblichem Verschleiß bzw. den Austausch eines mangelhaften Gerätes, ohne dass dem Kunden dabei mehr als unvermeidlich Unannehmlichkeiten entstehen, allerdings vorbehaltlich folgender Ausnahmen:

- wenn das Gerät gewerblich, beruflich oder im Verleihgeschäft benutzt wurde;
- wenn das Gerät missbräuchlich verwendet oder mit mangelnder Sorgfalt behandelt wurde;
- wenn das Gerät durch irgendwelche Fremdeinwirkung beschädigt wurde;
- wenn ein unbefugter Reparaturversuch durch anderes Personal als das einer Vertragswerkstatt oder des Black & Decker-Kundendienstes unternommen wurde.

Zur Inanspruchnahme dieser Garantie ist dem Verkäufer bzw. der Vertragswerkstatt ein Kaufnachweis vorzulegen. Die Adresse der zuständigen Niederlassung von Black & Decker steht in dieser Anleitung. Diese teilt Ihnen gerne die nächstgelegene Vertragswerkstatt mit. Außerdem ist eine Liste der Vertragswerkstätten und aller Kundendienststellen von Black & Decker sowie der zuständigen Ansprechpartner im Internet zu finden unter: **[www.2helpU.com](http://www.2helpU.com)**

Bitte besuchen Sie unsere Webseite **[www.blackunddecker.de](http://www.blackunddecker.de)**, um Ihr neues Black & Decker-Produkt zu registrieren und über neue Produkte und Sonderangebote informiert zu werden. Weitere Informationen zur Marke Black & Decker sowie über unsere Produktpalette finden Sie unter **[www.blackunddecker.de](http://www.blackunddecker.de)**.

## Utilisation

Votre ponceuse Black & Decker a été spécialement conçue pour poncer le bois, le métal, le plastique et les surfaces peintes. Cet outil a été conçu pour une utilisation exclusivement domestique.

## Consignes de sécurité

### Consignes de sécurité concernant les outils électroportatifs



**Attention ! Lisez avec attention tous les avertissements et toutes les instructions.** Le nonrespect de cette consigne peut entraîner une électrocution, un incendie et/ou de graves blessures.

CONSERVEZ AVERTISSEMENTS ET INSTRUCTIONS POUR RÉFÉRENCE ULTÉRIEURE.

La notion d'« outil électroportatif » mentionnée par la suite se rapporte à des outils électriques raccordés au secteur (avec câble de raccordement) ou fonctionnant avec batterie (sans fil).

#### 1. Sécurité de la zone de travail

- a. **Maintenez la zone de travail propre et bien éclairée.** Un lieu de travail en désordre ou mal éclairé augmente le risque d'accidents.
- b. **N'utilisez pas les outils électroportatifs dans un environnement présentant des risques d'explosion ni en présence de liquides, gaz ou poussières inflammables.** Les outils électroportatifs génèrent des étincelles risquant d'enflammer les poussières ou les vapeurs.
- c. **Pendant l'utilisation d'un outil électroportatif, les enfants et autres personnes doivent rester éloignés.** En cas d'inattention, vous risquez de perdre le contrôle de l'outil.

#### 2. Sécurité électrique

- a. **La prise de l'outil électroportatif doit convenir à la prise de courant. Ne modifiez en aucun cas la prise. N'utilisez pas de prises d'adaptateur avec des appareils ayant une prise de terre.** Le respect de ces consignes réduit le risque de choc électrique.
- b. **Évitez le contact physique avec des surfaces mises à la terre telles que tuyaux, radiateurs, fours et réfrigérateurs.** Le risque de choc électrique augmente si votre corps est relié à la terre.
- c. **N'exposez pas l'outil électroportatif à la**

**pluie ni à l'humidité.** La pénétration d'eau dans un outil électroportatif augmente le risque de choc électrique.

- d. **Préservez le câble d'alimentation. N'utilisez pas le câble pour porter l'outil, pour l'accrocher ou encore pour le débrancher. Maintenez le câble éloigné des sources de chaleurs, des parties huilées, des bords tranchants ou des parties de l'appareil en rotation.** Le risque de choc électrique augmente si les câbles sont endommagés ou emmêlés.
  - e. **Si vous utilisez l'outil électroportatif à l'extérieur, utilisez une rallonge homologuée pour utilisation à l'air libre.** L'utilisation d'une rallonge électrique homologuée pour les travaux à l'extérieur réduit le risque de choc électrique.
  - f. **Si l'outil doit être utilisé dans un endroit humide, prenez les précautions nécessaires en utilisant un dispositif à courant résiduel (RCD).** L'utilisation d'un tel dispositif réduit les risques d'électrocution.
- #### 3. Sécurité personnelle
- a. **Restez vigilant, surveillez ce que vous faites. Faites preuve de bon sens quand vous utilisez un outil électroportatif. N'utilisez pas l'outil lorsque vous êtes fatigué ou après avoir consommé de l'alcool ainsi que des médicaments.** Un moment d'inattention lors de l'utilisation de l'outil peut entraîner de graves blessures.
  - b. **Portez un équipement de protection. Portez toujours des lunettes de protection.** Selon le travail à effectuer, le port d'équipement de protection tels que masque antipoussières, chaussures de sécurité antidérapantes, casque ou protection auditive, réduit le risque de blessures.
  - c. **Évitez un démarrage imprévu. L'appareil doit être en position OFF (arrêt) avant d'effectuer le branchement à l'alimentation et/ou au bloc-batterie, de le ramasser ou de le porter.** Ne laissez pas votre doigt sur le bouton de commande, afin d'éviter tout accident.
  - d. **Retirez tout outil ou clé de réglage avant de mettre l'outil en marche.** Une clé ou un outil se trouvant sur une partie en rotation peut causer des blessures.
  - e. **Adoptez une position confortable. Adoptez une position stable et gardez**

**vosre équilibre en permanence.** Vous contrôlerez ainsi mieux l'outil dans des situations inattendues.

- f. **Utilisez des vêtements appropriés. Évitez de porter des vêtements flottants et des bijoux. N'approchez pas les cheveux, vêtements ou gants des parties des pièces mobiles.** Les vêtements amples, les bijoux ou les cheveux longs peuvent être attrapés dans les pièces en mouvement.
  - g. **En cas d'utilisation d'appareils servant à aspirer ou à recueillir les poussières, assurez-vous qu'ils sont correctement raccordés et utilisés.** L'utilisation de tels appareils permet de réduire les dangers liés aux poussières.
4. **Utilisation des outils électroportatifs et précautions**
    - a. **Respectez la capacité de l'outil. Utilisez l'outil électroportatif approprié pour le travail à effectuer.** Avec un outil approprié, vous travaillerez mieux et en toute sécurité.
    - b. **N'utilisez pas un outil électroportatif dont l'interrupteur marche/arrêt est défectueux.** Un outil électroportatif qui ne peut plus être mis en marche ou arrêté est dangereux et doit être réparé.
    - c. **Retirez la prise de courant et/ou débranchez le blocbatterie avant d'effectuer des réglages, de changer les accessoires ou de ranger l'outil.** Cette mesure de précaution empêche de mettre l'outil en marche accidentellement.
    - d. **Rangez les outils électroportatifs hors de portée des enfants. Les personnes ne connaissant pas l'outil ou n'ayant pas lu ces instructions ne doivent en aucun cas l'utiliser.** Les outils électroportatifs sont dangereux lorsqu'ils sont utilisés par des personnes non initiées.
    - e. **Prenez soin des outils électroportatifs. Vérifiez que les parties en mouvement fonctionnent correctement et qu'elles ne sont pas coincées. Vérifiez qu'il n'y a pas de pièces cassées ou endommagées susceptibles de nuire au bon fonctionnement de l'outil. S'il est endommagé, faites réparer l'outil avant de l'utiliser.** De nombreux accidents sont la conséquence d'outils mal entretenus.
    - f. **Maintenez les outils de coupe aiguisés et propres.** Des outils soigneusement

entretenus avec des bords tranchants bien aiguisés se coincent moins souvent et peuvent être guidés plus facilement.

- g. **Utilisez les outils électroportatifs, les accessoires, etc. en suivant ces instructions et en tenant compte des conditions de travail, ainsi que du travail à effectuer.** L'utilisation des outils électroportatifs à d'autres fins que celles prévues peut vous mettre en situation dangereuse.
5. **Réparations**
    - a. **Faites réparer votre outil électroportatif uniquement par du personnel qualifié et seulement avec des pièces de rechange d'origine.** La fiabilité de l'outil sera ainsi garantie.

## Consignes de sécurité supplémentaires concernant les outils électroportatifs



**Attention !** Instructions de sécurité supplémentaires pour ponceuses.

- **Tenez l'outil électroportatif au niveau des surfaces de prise isolées car il est possible que la bande de ponçage soit en contact avec son propre câble.** En coupant un fil sous tension, la charge électrique passe dans les parties métalliques de l'outil électroportatif et il y a risque de choc électrique.
- **Utilisez des pinces ou autres pour fixer et soutenir la pièce de manière stable.** Si vous la tenez à la main ou contre votre corps, elle ne sera pas stable et vous pouvez en perdre le contrôle.
- **Attention !** Tout contact ou inhalation de poussières pendant le ponçage peut présenter un danger pour la santé de l'utilisateur ainsi que des personnes à proximité. Portez un masque contre la poussière spécialement conçu pour vous protéger des sciures et des fumées toxiques et veillez à ce que les personnes se trouvant à l'intérieur de la zone de travail ou y pénétrant soient également protégées.
- Enlevez soigneusement toute poussière après le ponçage.
- Faites spécialement attention lorsque vous poncez de la peinture pouvant être à base de plomb ou lorsque vous poncez des bois et des métaux pouvant produire de la poussière toxique :



- Ne laissez pas les enfants ou les femmes enceintes entrer dans la zone de travail.
- Ne mangez pas, ne buvez pas ou ne fumez pas dans la zone de travail.
- Nettoyez l'outil de toutes particules de poussière et autres débris.

**Ce manuel d'instructions décrit comment utiliser cet appareil.** L'utilisation d'un accessoire ou d'une fixation, ou bien l'utilisation de cet appareil à d'autres fins que celles recommandées dans ce manuel d'instructions peut entraîner des blessures et/ou des dommages matériels.

### Étiquettes de l'outil

Les pictogrammes ci-dessous figurent sur l'outil :



**Attention !** Pour réduire le risque de blessures, l'utilisateur doit lire les instructions du manuel.

### Sécurité pour autrui

- ◆ Cet outil ne peut être utilisé par des personnes (y compris des enfants) ayant des capacités mentales, sensorielles ou physiques réduites, ou celles manquant d'expérience et de connaissances, à moins qu'elles ne soient encadrées ou qu'elles n'aient été formées à l'utilisation de l'outil par une personne responsable de leur sécurité.
- ◆ Ne laissez jamais les enfants sans surveillance pour éviter qu'ils ne jouent avec cet outil.

### Vibration

La valeur d'émission de vibration déclarée dans la section Déclaration/Données techniques de conformité a été mesurée selon une méthode d'essai standard fournie par la norme EN60745 et peut être utilisée pour comparer un outil à un autre. Elle peut aussi être utilisée dans une évaluation préliminaire à l'exposition.

**Attention !** Selon la manière dont l'outil est utilisé, la valeur d'émission de vibration pendant l'utilisation en cours de l'outil peut être différente de la valeur déclarée. Le niveau de vibration peut augmenter au-dessus du niveau établi.

Quand l'exposition aux vibrations est évaluée afin de déterminer les mesures de sécurité requises par la norme 2002/44/EC pour protéger les personnes utilisant régulièrement des outils électroportatifs, il faut tenir compte une estimation de l'exposition aux vibrations, les conditions actuelles d'utilisation et la manière dont l'outil est utilisé. Il faut aussi tenir compte de toutes les pièces du cycle de

fonctionnement comme la durée pendant laquelle l'outil est arrêté et quand il fonctionne au ralenti, ainsi que la durée du déclenchement.

### Sécurité électrique



L'outil est doublement isolé ; par conséquent, aucun câble de masse n'est nécessaire. Vérifiez si la tension mentionnée sur la plaque signalétique de la machine correspond bien à la tension de secteur.

- Si le câble d'alimentation est endommagé, il doit être remplacé par le fabricant ou par un centre de réparation agréé Black & Decker pour éviter tout risque.

### Utilisation d'une rallonge

- La rallonge utilisée doit être conforme aux normes et doit s'adapter exactement à la prise de cet outil (voir les données techniques). Avant d'utiliser la rallonge, assurez-vous qu'elle est en bon état et récente. Remplacez la rallonge si elle est en mauvais état. Si vous utilisez un dévidoir, le câble doit être complètement déroulé. Le non-respect de toutes ces consignes, risque de provoquer un incendie et un choc électrique.

### Caractéristiques

1. Bouton marche/arrêt
2. Sortie de refoulement de poussière
3. Dispositif de blocage du papier
4. Plateau de ponçage

### Assemblage

**Attention !** Avant l'assemblage, assurez-vous que l'outil est éteint et débranché.

### Mise en place des feuilles abrasives (figures A)

**Attention !** N'utilisez jamais l'outil sans une feuille abrasive ou l'accessoire en place.

### Mise en place des feuilles abrasives normales (figure A)

**Attention !** Assurez-vous que l'outil est éteint et débranché.

- Assouplissez la feuille abrasive en frottant le côté non abrasif sur le bord d'un plan de travail.
- Tirez les pinces de blocage du papier (3) vers le haut, puis dégagez-les des rainures. Ouvrez ensuite les pinces (3) en appuyant vers le bas.
- Placez la feuille sur le plateau de ponçage (4).

- Insérez le bord de la feuille abrasive dans la pince avant (3), comme indiqué.
- Appuyez sur le dispositif de blocage avant (3) vers le bas et fixez-le dans la rainure.
- Tout en gardant une légère tension sur la feuille, insérez le bord arrière de la feuille dans la pince arrière (3).
- Appuyez sur le dispositif de blocage arrière (3) vers le bas et fixez-le dans la rainure.

## Branchement d'un aspirateur (figure C)

- Insérez l'adaptateur (5) dans la sortie de refoulement de poussière (2).
- Raccordez le tuyau (6) de l'aspirateur à l'adaptateur (5).

## Utilisation

**Attention !** Laissez l'outil fonctionner à sa propre vitesse. Ne dépassez pas sa capacité.

## Mise en marche et arrêt (figure B)

- Pour mettre l'outil en marche, appuyez sur le « I » de l'interrupteur marche/arrêt (1).
- Pour éteindre l'outil, appuyez sur le « 0 » de l'interrupteur marche/arrêt (1).

## Conseils pour une utilisation optimale

- Ne placez pas vos mains sur les orifices de ventilation.
- Tenez toujours l'outil avec les deux mains (figure D).
- N'exercez pas trop de pression sur l'outil.
- Vérifiez régulièrement l'état de la feuille abrasive. Remplacez-la lorsque cela s'avère nécessaire.
- Poncez toujours avec le grain correspondant au bois (figure D).
- Lorsque vous poncez de nouvelles couches de peinture avant d'en appliquer une autre, utilisez un abrasif extra fin.
- Pour les surfaces irrégulières ou lorsque vous enlevez des couches de peinture, commencez par un abrasif à gros grains. Sur d'autres surfaces, commencez avec un abrasif moyen. Dans les deux cas, changez graduellement de grain et passez à un abrasif fin pour une finition douce.
- Renseignez-vous auprès de votre revendeur pour connaître les accessoires disponibles.

## Entretien

- Votre outil Black & Decker a été conçu pour fonctionner pendant longtemps avec un minimum d'entretien. Un fonctionnement continu satisfaisant dépend d'un nettoyage

régulier et d'un entretien approprié de l'outil.

- Préalablement à toute opération d'entretien, éteignez et débranchez l'outil.
- Nettoyez régulièrement les orifices de ventilation de votre outil à l'aide d'une brosse douce et sèche ou d'un chiffon sec.
- Nettoyez régulièrement le compartiment du moteur à l'aide d'un chiffon humide et propre. N'utilisez pas de produit abrasif ou à base de solvant.

## Protection de l'environnement



Recyclage. Cette lampe ne doit pas être jetée avec les déchets ménagers.

Si vous désirez remplacer cet outil ou si vous ne l'utilisez plus, songez à la protection de l'environnement. Les réparateurs agréés Black & Decker accepteront la collecte d'anciens outils Black & Decker et veilleront à ce que leur mise au rebut ne porte pas atteinte à l'environnement.



La collecte séparée des produits et des emballages usagés permet de recycler et de réutiliser des matériaux. La réutilisation de matériaux recyclés évite la pollution de l'environnement et réduit la demande de matières premières.

Des réglementations locales peuvent stipuler la collecte séparée des produits électriques et des produits ménagers, dans des déchetteries municipales ou par le revendeur lorsque vous achetez un nouveau produit.

Black & Decker fournit un dispositif permettant de recycler les produits Black & Decker lorsqu'ils ont atteint la fin de leur cycle de vie. Pour pouvoir profiter de ce service, veuillez retourner votre produit à un réparateur agréé qui se chargera de le collecter pour nous.

Pour connaître l'adresse du réparateur agréé le plus proche de chez vous, contactez le bureau Black & Decker à l'adresse indiquée dans ce manuel. Vous pourrez aussi trouver une liste de réparateurs agréés de Black & Decker et de plus amples détails concernant notre service après-vente sur le site Internet : [www.2helpU.com](http://www.2helpU.com).

**Caractéristiques techniques**

		<b>KA300 TYPE 1</b>
Tension	V c.a.	230
Sortie d'alimentation	W	135
Oscillations (sans charge)	min <sup>-1</sup>	22 000
Orbites (sans charge)	min <sup>-1</sup>	11 000
Poids	kg	1,2

Niveau de pression sonore selon la norme  
EN 60745 :

Pression sonore (LpA) 78 dB(A),  
incertitude (K) 3 dB(A)

Puissance sonore (LWA) 89 dB(A),  
incertitude (K) 3 dB(A)

Valeurs totales des vibrations (somme vectorielle  
triaxiale)

selon la norme EN 60745 :

Valeur d'émission de vibration (ah) 9,0 m/s<sup>2</sup>,  
incertitude (K) 1.5 m/s<sup>2</sup>

**Déclaration de conformité CE**  
DIRECTIVES DE MACHINERIE



Black & Decker déclare que les produits décrits sur  
la fiche technique sont conformes à la norme:  
2006/42/EC, EN60745-1, EN60745-2-4

Pour plus de renseignements, veuillez contacter  
Black & Decker à l'adresse suivante ou reportez-  
vous au dos du manuel.

Le soussigné est responsable des données de la  
fiche technique et fait cette déclaration au nom de  
Black & Decker

Kevin Hewitt  
Vice-President Global  
Engineering  
Black & Decker Europe,  
210 Bath Road, Slough,  
Berkshire, SL1 3YD  
United Kingdom

10-02-2010

valable sur tout le territoire des États Membres  
de l'Union Européenne et de la Zone de Libre  
Échange Européenne.

Si un produit Black & Decker s'avère défectueux  
en raison de matériaux en mauvais état, d'une  
erreur humaine, ou d'un manque de conformité  
dans les 24 mois suivant la date d'achat,  
Black & Decker garantit le remplacement des  
pièces défectueuses, la réparation des produits  
usés ou cassés ou remplace ces produits à la  
convenance du client, sauf dans les circonstances  
suivantes :

- Le produit a été utilisé dans un but commercial, professionnel, ou a été loué.
- Le produit a été mal utilisé ou avec négligence.
- Le produit a subi des dommages à cause de corps étrangers, de substances ou d'accidents.
- Des réparations ont été tentées par des techniciens ne faisant pas partie du service technique de Black & Decker.

Pour avoir recours à la garantie, il est nécessaire  
de fournir une preuve d'achat au vendeur ou à un  
réparateur agréé. Pour connaître l'adresse du  
réparateur agréé le plus proche de chez vous,  
contactez le bureau Black & Decker à l'adresse  
indiquée dans ce manuel. Vous pourrez aussi  
trouver une liste de réparateurs agréés de  
Black & Decker et de plus amples détails sur notre  
service après-vente sur le site Internet à l'adresse  
suivante: **www.2helpU.com**

Visitez notre site Web

**www.blackanddecker.fr** pour enregistrer votre  
nouveau produit Black & Decker et être informé  
des nouveaux produits et des offres spéciales.  
Pour plus d'informations concernant la marque  
Black & Decker et notre gamme de produits,  
consultez notre site **www.blackanddecker.fr**.

**Garantie**

Black & Decker vous assure la qualité de ses  
produits et vous offre une garantie très étendue.  
Ce certificat de garantie est un document  
supplémentaire et ne peut en aucun cas se  
substituer à vos droits légaux. La garantie est

## Použití výrobku

Vaše vibrační bruska Black & Decker je určena pro broušení dřeva, kovu, plastů a lakovaných povrchů. Tento výrobek je určen pouze pro spotřebitelské použití.

## Bezpečnostní pokyny

### Všeobecné bezpečnostní pokyny pro práci s elektrickým nářadím



**Varování! Pozorně si přečtěte veškerá bezpečnostní varování a pokyny.**

Nedodržení uvedených pokynů může způsobit úraz elektrickým proudem, vznik požáru nebo jiné vážné zranění.

**VEŠKERÁ BEZPEČNOSTNÍ VAROVÁNÍ A POKYNY USCHOVEJTE PRO PŘÍPADNÉ DALŠÍ POUŽITÍ.**

Označení „elektrické nářadí“ ve všech níže uvedených upozorněních odkazuje na vaše nářadí napájené ze sítě (obsahuje napájecí přívodní šňůru) nebo nářadí napájené z akumulátoru (bez napájecího kabelu).

### 1. Bezpečnost v pracovním prostoru

- a. **Pracovní oblast udržujte v čistotě a dobře osvětlenou.** Přeplněný a neosvětlený pracovní prostor může způsobit úraz.
- b. **S elektrickým nářadím nepracujte ve výbušných prostředích, jako jsou například prostory, ve kterých se vyskytují hořlavé kapaliny, plyny nebo prašné látky.** Elektrické nářadí je zdrojem jiskření, což může vést k zapálení prachu nebo výparů.
- c. **Při práci s elektrickým nářadím dbejte na to, aby se k tomuto nářadí nepřibližovaly děti a okolo stojící osoby.** Rozptylování může způsobit ztrátu kontroly nad nářadím.

### 2. Elektrická bezpečnost

- a. **Zástrčka napájecího kabelu nářadí musí odpovídat zásuvce. Zástrčku nikdy žádným způsobem neupravujte. U nářadí chráněného zemněním nepoužívejte jakékoliv redukce zástrček.** Neupravované zástrčky a odpovídající zásuvky snižují riziko vzniku úrazu elektrickým proudem.
- b. **Vyvarujte se dotyku s uzemněnými plochami jako je potrubí, radiátory, sporáky a ledničky.** Při uzemnění vašeho těla vzrůstá riziko úrazu elektrickým proudem.
- c. **Nevystavujte elektrické nářadí dešti nebo vlhkému prostředí.** Pokud do nářadí vnikne voda, zvýší se riziko úrazu elektrickým proudem.

- d. **S napájecím kabelem zacházejte opatrně. Nepoužívejte přívodní kabel k přenášení nářadí, tahání nebo vytahování zástrčky ze zásuvky. Zabraňte kontaktu kabelu s horkými, mastnými a ostrými předměty a pohyblivými částmi nářadí.** Poškozený nebo zapletený přívodní kabel zvyšuje riziko úrazu elektrickým proudem.
- e. **Pracujete-li s elektrickým nářadím venku, používejte prodlužovací kabel určený pro venkovní použití.** Použití kabelu pro venkovní použití snižuje riziko úrazu elektrickým proudem.
- f. **Při práci s elektrickým nářadím ve vlhkém prostředí je nezbytně nutné použít v napájecím okruhu proudový chránič (RCD).** Použití proudového chrániče RCD snižuje riziko úrazu elektrickým proudem.

### 3. Bezpečnost obsluhy

- a. **Zůstaňte stále pozorní, sledujte, co provádíte a při práci s elektrickým nářadím pracujte s rozvahou. S nářadím nepracujte, pokud jste unavení nebo pokud jste pod vlivem omamných látek, alkoholu nebo léků.** Chvilková nepozornost při práci s nářadím může přivodit vážné zranění.
- b. **Používejte prvky osobní ochrany. Vždy používejte ochranu zraku.** Bezpečnostní výbava jako je respirátor, neklouzavá bezpečnostní obuv, pevná přilba nebo ochranné sluchátka použitá v odpovídajících podmínkách snižuje riziko úrazu.
- c. **Zabraňte náhodnému spuštění. Před připojením ke zdroji napětí nebo před vložením akumulátoru, zvednutím nebo přenášením nářadí zkontrolujte, zda je hlavní spínač vypnutý.** Přenášení nářadí s prstem na hlavním vypínači nebo připojení napájecího kabelu k elektrickému rozvodu, pokud je hlavní vypínač nářadí v poloze zapnuto, může způsobit úraz.
- d. **Před spuštěním nářadí se vždy ujistěte, zda nejsou v jeho blízkosti klíče nebo seřizovací přípravky.** Klíč zanechaný v rotujících částech nářadí může způsobit poranění osob.
- e. **Nepřekázejte sami sobě. Při práci vždy udržujte vhodný a pevný postoj.** To umožní lepší ovladatelnost nářadí v neočekávaných situacích.

- f. **Vhodně se oblékejte. Nenoste volný oděv nebo šperky. Dbejte na to, aby se vaše vlasy, oděv nebo rukavice nedostaly do nebezpečné blízkosti pohyblivých částí.** Volný oděv, šperky nebo dlouhé vlasy mohou být pohyblivými díly zachyceny.
- g. **Je-li nářadí vybaveno výstupem pro připojení odsávání a sběrným vakem, zkontrolujte tyto funkce a ujistěte se, zda jsou správně používány.** Použití těchto zařízení může snížit nebezpečí týkající se prachu.
4. **Použití elektrického nářadí a jeho údržba**
- a. **Nářadí nepřetěžujte. Používejte správné elektrické nářadí, které odpovídá prováděné práci.** Při použití správného typu nářadí bude práce provedena lépe a bezpečněji.
- b. **Pokud nelze hlavní spínač nářadí zapnout a vypnout, s nářadím nepracujte.** Jakékoliv nářadí s nefunkčním hlavním vypínačem je nebezpečné a musí být opraveno.
- c. **Před výměnou jakýchkoliv částí, příslušenství či jiných připojených součástí, před prováděním servisu nebo pokud nářadí nepoužíváte, odpojte je od elektrické sítě a/ nebo vyjměte akumulátor.** Tato preventivní bezpečnostní opatření snižují riziko náhodného spuštění nářadí.
- d. **Pokud nářadí nepoužíváte, uložte je mimo dosah dětí a zabraňte osobám neobeznámených s obsluhou nářadí nebo s tímto návodem, aby s nářadím pracovali.** Výkonné nářadí je v rukou nekvalifikované obsluhy nebezpečné.
- e. **Údržba elektrického nářadí. Zkontrolujte vychýlení či zaseknutí pohyblivých částí, poškození jednotlivých dílů a jiné okolnosti, jež mohou mít vliv na chod nářadí. Pokud je nářadí poškozeno, nechejte jej opravit.** Mnoho nehod bývá způsobeno zanedbanou údržbou nářadí.
- f. **Řezné nástroje udržujte ostré a čisté.** Řádně udržované řezné nástroje s ostrými řeznými čepeli se méně zanášejí a lépe se ovládají.
- g. **Nářadí, příslušenství a držáky nástrojů používejte podle těchto pokynů a způsobem určeným daným typem nářadí, berte v úvahu provozní podmínky a práci, kterou je nutné vykonat.** Použití nářadí k jiným účelům, než k jakým je určeno, může být nebezpečné.

## 5. Opravy

- a. **Svěřte opravu vašeho elektrického nářadí pouze osobě s příslušnou kvalifikací při použití výhradně originálních náhradních dílů.** Tím zajistíte bezpečný provoz nářadí.

### Doplňkové bezpečnostní pokyny pro práci s elektrickým nářadím



**Varování!** Doplňující bezpečnostní pokyny pro brusky.

- **Elektrické nářadí držte za izolované rukojeti, protože může dojít k zachycení napájecího kabelu brusným pásem.** Při kontaktu s „živým“ vodičem způsobí neizolované kovové části nářadí obsluze úraz elektrickým proudem.
- **K přichycení obrobku ke stabilní podložce použijte svorky nebo jiný osvědčený způsob.** Držení obrobku rukou nebo jeho přitisknutí k tělu zapříčiní, že obrobek nebude stabilně uchycen a to může vést ke ztrátě kontroly.
- **Varování!** Vyvarujte se kontaktu nebo vdechnutí prachu vzniklého broušením, tento může být pro obsluhu a okolní osoby zdraví nebezpečný. Používejte masku proti prachu určenou speciálně na ochranu před toxickým prachem a podobnými zplodinami a zajistěte, aby byly takto chráněny všechny osoby nacházející se nebo vstupující do pracovního prostoru.
- Po broušení odstraňte všechny prach.
- Buďte velmi opatrní při broušení povrchů opatřených nátěry, které mohou obsahovat přísadu olova, nebo při broušení dřevěných nebo kovových materiálů, při kterém mohou vznikat toxické látky:
- Zabraňte přístupu těhotných žen a dětí do pracovního prostoru.
- Na pracovišti nejezte, nepijte ani nekuřte.
- Zajistěte bezpečnou likvidaci prachu a ostatních nečistot vzniklých při broušení.

### Použití tohoto nářadí je popsáno v tomto návodu.

Použití jakéhokoliv jiného příslušenství nebo přídatných zařízení, nebo provádění jakéhokoliv jiného využití tohoto přístroje, než je popsáno v tomto návodu k použití, může mít za následek riziko poranění osob nebo škody na majetku.

## Nálepky na stroji

Na stroji jsou následující piktogramy:



**Varování!** Ke snížení rizika vzniku úrazu musí být obsluha obeznámena s tímto návodem k obsluze.

## Bezpečnost ostatních osob

- Toto zařízení není určeno k použití osobami (včetně dětí) se sníženými fyzickými, smyslovými nebo duševními schopnostmi, nebo nedostatkem zkušeností a znalostí, pokud těmto osobám nebyl stanoven dohled, nebo pokud jim nebyly poskytnuty instrukce týkající se použití zařízení osobou zodpovědnou za jejich bezpečnost.
- Děti by měly být pod dozorem, aby si s nářadím nehrály.

## Vibrace

Deklarovaná úroveň vibrací uvedená v technických údajích a v prohlášení o shodě byla měřena v souladu se standardní zkušební metodou předepsanou normou EN 60745 a může být použita ke srovnání jednotlivých nářadí mezi sebou. Deklarovaná úroveň vibrací může být také použita k předběžnému stanovení doby práce s tímto výrobkem.

**Varování!** Úroveň vibrací při aktuálním použití elektrického nářadí se může od deklarované úrovně vibrací lišit v závislosti na způsobu použití výrobku. Úroveň vibrací může být oproti uvedené hodnotě vyšší.

Při stanovení vystavení se vibracím k určení bezpečnostních opatření podle normy 2002/44/EC k ochraně osob pravidelně používajících elektrické nářadí v zaměstnání by měl předběžný odhad působení vibrací brát na zřetel aktuální podmínky použití nářadí s přihlédnutím na všechny části pracovního cyklu, jako doby, při které je nářadí vypnuto a kdy běží naprázdno.

## Elektrická bezpečnost



Toto nářadí je chráněno dvojitou izolací, a proto není nutné použití zemního vodiče. Vždy zkontrolujte, zda síťové napětí odpovídá napětí uvedenému na typovém štítku nářadí.

- Poškozený napájecí kabel musí být vyměněn výrobcem nebo zástupcem autorizovaného servisu firmy Black & Decker.

## Použití prodlužovacího kabelu

- Vždy používejte schválený typ prodlužovacího kabelu, který je vhodný pro příkon tohoto nářadí (viz technické údaje). Před použitím prodlužovací kabel řádně prohlédněte, zda není poškozen nebo opotřebován. Je-li tento kabel poškozen, vyměňte jej. V případě použití navinovacího kabelu, odviňte vždy celou délku kabelu. Použití prodlužovacího kabelu, který není vhodný pro příkon tohoto nářadí nebo který je poškozen, může vést ke vzniku zranění způsobeného elektrickým proudem nebo ke vzniku požáru.

## Popis

1. Hlavní spínač
2. Výstupní otvor pro odvod prachu
3. Páčka upnutí papíru
4. Brusná základna

## Sestavení

**Varování!** Před montáží se ujistěte, zda je nářadí vypnuto a zda je napájecí kabel odpojen od zásuvky.

## Uchycení brusného listu (obr. A)

**Varování!** Nikdy nepoužívejte nářadí bez připevněného archu brusného papíru nebo připojeného příslušenství.

## Nasazení běžných archů brusného papíru (obr. A)

**Varování!** Ujistěte se, zda je nářadí vypnuto a zda je napájecí kabel odpojen od elektrické zásuvky.

- Změkčete arch brusného papíru třením jeho nebrusné strany o hranu pracovního stolu.
- Stlačte páčky upnutí papíru (3) směrem nahoru tak, aby se uvolnily z přídržných drážek a stlačením směrem dolů páčky upnutí papíru (3) otevřete.
- Na brusnou základnu (4) umístěte arch brusného papíru.
- Okraj archu brusného papíru vložte pod přední přichytnou páčku upnutí papíru (3) způsobem znázorněným na obrázku.
- Stlačte přední páčku upnutí papíru (3) směrem dolů a zajistěte ji v přídržné drážce.
- Zatímco budete arch brusného papíru mírně napínat, vložte zadní okraj archu brusného papíru pod zadní přichytnou páčku upnutí papíru (3).
- Stlačte zadní páčku upnutí papíru (3) směrem dolů a zajistěte ji v přídržné drážce.

### Připojení vysavače (obr. C)

- Do výstupního otvoru pro odvod prachu (2) zasuňte nástavec (5).
- K výstupnímu otvoru nástavce (5) připojte hadici (6) vhodného vysavače.

### Zbytková rizika

Je-li nářadí používáno jiným způsobem, než je uvedeno v příložených bezpečnostních varováních, mohou se objevit dodatečná zbytková rizika. Tato rizika mohou vzniknout v důsledku nesprávného použití, dlouhodobého použití atd.

Přestože jsou dodržovány příslušné bezpečnostní předpisy a jsou používána bezpečnostní zařízení, určitá zbytková rizika nemohou být vyloučena. Tato rizika jsou následující:

- Zranění způsobená kontaktem s jakoukoli rotující nebo pohybující se částí.
- Zranění způsobená při výměně dílů, pracovního nástroje nebo příslušenství.
- Zranění způsobená dlouhodobým použitím nářadí. Používáte-li jakékoli nářadí delší dobu, zajistěte, aby byly prováděny pravidelné přestávky.
- Poškození sluchu.
- Zdravotní rizika způsobená vdechováním prachu vytvářeného při použití nářadí (příklad: - práce se dřevem, zejména s dubovým, bukovým a MDF).

### Použití

**Varování!** Nechejte nářadí pracovat jeho vlastním tempem. Zamezte přetěžování nářadí.

### Zapnutí a vypnutí (obr. B)

- Chcete-li nářadí zapnout, stiskněte část hlavního spínače (1) označenou ‚I‘.
- Chcete-li nářadí vypnout, stiskněte část hlavního spínače (1) označenou ‚0‘.

### Užitečné rady


- Dbejte na to, aby Vaše ruce nezakrývaly ventilační drážky.
- Nářadí držte vždy oběma rukama (obr. D).
- Nevyvíjejte na brusku nadměrný tlak.
- Pravidelně kontrolujte stav brusného listu. Je-li to nutné, vyměňte jej.
- Broušení dřeva provádějte vždy po létech (obr. D).
- Provádíte-li broušení nátěrových vrstev před nanesením nové vrstvy barvy, používejte brusný papír s velmi jemnými brusnými zrny.

- Na velmi nerovných površích nebo při odstraňování nátěrových vrstev zahajte práci s brusným papírem s hrubými zrny. Na ostatních površích zahajte práci s brusným papírem se střední velikostí zrn. V obou případech postupně nahrazujte hrubější brusný papír jemnějším, abyste dosáhli dokonalé povrchové úpravy.
- Další informace týkající se příslušenství získáte u svého značkového prodejce.


### Údržba

- Vaše nářadí Black & Decker bylo zkonstruováno tak, aby vám sloužilo po dlouhou dobu s minimálními nároky na údržbu. Dlouhodobá bezproblémová funkce nářadí závisí na jeho řádné údržbě a pravidelném čištění.
- Před prováděním jakékoliv údržby nářadí vypněte a odpojte napájecí kabel od sítě.
- Pomocí měkkého kartáče nebo suchého hadříku pravidelně čistěte větrací drážky na nářadí.
- Pravidelně čistěte kryt motoru čistým vlhkým hadříkem. Nepoužívejte k čištění abrazivní prostředky ani rozpouštědla.

### Ochrana životního prostředí

 Třídění odpadu. Tento výrobek nesmí být likvidován spolu s běžným komunálním odpadem.

Jednoho dne zjistíte, že nářadí musíte vyměnit nebo jej nebudete dále používat. V tomto případě myslete na ochranu životního prostředí. Zástupci servisu Black & Decker od vás dosloužilé nářadí Black & Decker odeberou a postarají se o jeho likvidaci, aniž by došlo k ohrožení životního prostředí.

 Tříděný odpad umožňuje recyklaci a opětovné využití použitých výrobků a obalových materiálů. Opětovné použití recyklovaných materiálů pomáhá chránit životní prostředí před znečištěním a snižuje spotřebu surovin.

Při zakoupení nových výrobků Vám prodejny, místní sběrný odpadů nebo recyklační stanice poskytnou informace o správné likvidaci elektroodpadů z domácnosti.

Také společnost Black & Decker, poskytuje možnost sběru použitých výrobků nebo jejich recyklaci. V rámci této výhodné služby vraťte vaše nářadí kterékoliv autorizované servisní pobočce

Black & Decker, kde bude toto nářadí shromážděno a s ohledem na životní prostředí recyklováno.

Místo vaší nejbližší autorizované servisní pobočky Black & Decker se dozvíte na příslušné adrese uvedené na zadní straně této příručky. Přehled autorizovaných servisů Black & Decker a rovněž další informace týkající se našeho poprodejního servisu můžete nalézt také na internetové adrese: **www.2helpU.com**.

## Technické údaje

		KA300 TYP 1
Napětí	$V_{AC}$	230
Výkon	$W$	135
Počet kmitů (naprázdno)	$min^{-1}$	22 000
Otáčky (naprázdno)	$min^{-1}$	11 000
Hmotnost	$kg$	1,2

Hladina akustického tlaku podle normy EN 60745:

Akustický tlak ( $L_pA$ ) 78 dB(A),  
odchylka (K) 3 dB(A)

Akustický výkon ( $LWA$ ) 89 dB(A),  
odchylka (K) 3 dB(A)

Celková úroveň vibrací (prostorový vektorový součet) určená

podle normy EN 60745:  
Úroveň vibrací (ah) 9,0  $m/s^2$ ,  
odchylka (K) 2,7  $m/s^2$

## ES Prohlášení o shodě v rámci EU SMĚRNICE PRO STROJNÍ ZAŘÍZENÍ



KA300

Společnost Black & Decker prohlašuje, že tyto produkty popisované v technických údajích splňují požadavky následujících norem: 2006/42/EC, EN60745-1, EN60745-2-4

Chcete-li získat další informace, kontaktujte prosím společnost Black & Decker na následující adrese nebo na adresách, které jsou uvedeny na konci tohoto návodu.

Níže podepsaná osoba je odpovědná za sestavení technických údajů a provádí toto prohlášení v zastoupení společnosti Black & Decker.

Kevin Hewitt  
Viceprezident pro  
spotřebitelskou techniku  
Black & Decker Europe,  
210 Bath Road, Slough,  
Berkshire, SL1 3YD  
United Kingdom  
10-02-2010

## Záruka

Společnost Black & Decker je přesvědčena o kvalitě svých výrobků a nabízí mimořádnou záruku. Tato záruka je nabízena ve prospěch zákazníka a nijak neovlivní jeho zákonná záruční práva. Tato záruka platí ve všech členských státech EU a v evropské zóně volného obchodu EFTA.

Objeví-li se na výrobku Black & Decker, v průběhu 24 měsíců od zakoupení, jakékoli materiálové či výrobní vady, garantujeme ve snaze o minimalizování vašich starostí bezplatnou výměnu vadných dílů, opravu nebo výměnu celého výrobku za níže uvedených podmínek:

- ◆ Výrobek nebyl používán pro obchodní nebo profesionální účely a nedocházelo-li k jeho pronájmu.
- ◆ Výrobek nebyl vystaven nesprávnému použití a nebyla zanedbána jeho předepsaná údržba.
- ◆ Výrobek nebyl poškozen cizím zaviněním.
- ◆ Opravy nebyly prováděny jinými osobami,



než autorizovanými opraváři nebo mechaniky autorizovaného servisu Black & Decker.

Požadujete-li záruční opravu, budete muset prodejci nebo zástupci autorizovaného servisu předložit doklad o zakoupení výrobku. Místo nejbližšího autorizovaného servisu Black & Decker naleznete na příslušné adrese uvedené v tomto návodu. Seznam autorizovaných servisů Black & Decker a podrobnosti o poprodejním servisu naleznete také na internetové adrese: **www.2helpU.com**

Navštivte prosím naši internetovou stránku **www.blackanddecker.co.uk**, abyste mohli zaregistrovat váš nový výrobek Black & Decker a kde budete informováni o našich nových výrobcích a speciálních nabídkách. Na adrese **www.blackanddecker.co.uk** jsou k dispozici další informace o značce Black & Decker a o celé řadě našich dalších výrobků.

## Rendeltetésszerű használat

Szívből gratulálunk új Black & Decker Csiszolójához. Ezt a készüléket faanyagok, fémek, műanyagok és festett felületek csiszolására terveztük. A csiszológép iparszerű felhasználásra nem alkalmas.

## Biztonsági előírások

### Elektromos kéziszerszámokra vonatkozó általános biztonsági figyelmeztetések



**Figyelem! Figyelmesen olvassa el a kezelési útmutatót a gép üzembe helyezése előtt.** Elektromos szerszám használatakor mindig tartsa be az alábbi alapvető biztonsági rendszabályokat, így elkerülheti a tűzveszély, az elektromos áramütés, a személyi sérülések és az anyag károsodásának lehetőségét.

KÉRJÜK, GONDOSAN ŐRIZZE MEG A KEZELÉSI ÚTMUTATÓT, HOGY A KÉSŐBBIEKBEN IS BÁRMIKOR UTÁNANÉZHESSEN A GÉPPEL KAPCSOLATOS ÖSSZES INFORMÁCIÓNAK. Mielőtt bármilyen beállítást változtat a gépen, vagy karbantartási munkába kezd, mindig csatlakoztassa le a készüléket a hálózati áramforrásról.

#### 1. Munkaterület

- a. **Tartsa rendben és világítsa meg munkahelyét.** A zsúfolt, rendetlen munkaterület növeli a balesetveszélyt. Gondoskodjon a munkaterület megfelelő megvilágításáról.
- b. **Ne használja a készüléket robbanás és tűzveszélyes helyeken, például gyúlékony folyadékok és gázok közelében.** Elektromos kéziszerszámok használatakor szikra keletkezhet, mely begyűjthetja a port vagy gázt.
- c. **Tartsa távol a gyerekeket.** Gondoskodjon arról, hogy gyereket, más személyek vagy állatok ne közelíthessék meg a munkaterületet, ne érinthessék meg a készüléket és a hálózati kábelt, továbbá elvonhatják figyelmét a készülék irányításáról.

#### 2. Elektromos biztonság

- a. **A készülék csatlakozódugójának illeszkednie kell a dugaszoló aljzathoz. Soha ne változtasson a csatlakozódugón. Soha ne használjon semmilyen adaptert**

**földelt készülékekkel.** Az eredeti csatlakozódugó és a megfelelő dugaszoló aljzat használatával jelentősen csökkenthető az elektromos áramütés kockázata.

- b. **Kerülje az érintkezést fémes részekkel (például csövek, radiátorok, tűzhelyek és hűtőszekrények).** Viseljen gumitalpú cipőt. Extrém munkakörülmények között (pl.: magas páratartalom, fémpor keletkezése esetén) az elektromos biztonság növelhető egy leválasztó transzformátor vagy hibaáram-védelmi kapcsoló előkapcsolásán keresztül
  - c. **Legyen figyelemmel a környezeti behatásokra.** Ne hagyja szabadban a gépet, óvja az esőtől. Ne használja nyirkos, nedves környezetben.
  - d. **Bánjon gondosan a kábellel. Soha ne a kábelnél fogva vigye a gépet, és kérjük, ne a kábelnél fogva húzza ki a csatlakozódugót a konnektorból. Tartsa távol a kábelt éles szélektől, védje olajtól és hőtől. Minden használat előtt ellenőrizze a kábel állapotát, és ne indítsa be a gépet, ha a kábel sérült.** Sérült vagy összetekeredett hálózati kábel használata jelentősen növelheti az elektromos áramütés kockázatát.
  - e. **A szabadban kizárólag csak az arra jóváhagyott és jelöléssel ellátott hosszabbító kábelt szabad használni.** Használat előtt ellenőrizze a hosszabbító kábelt és cserélje le, ha sérült. Teljesítmény csökkenés nélkül max. 30m hosszú, kéteres Black & Decker hosszabbító kábelt használhat.
  - f. **Ha elkerülhetetlen a készülék nedves környezetben való használata, használjon egy leválasztó transzformátort vagy hibaáram-védelmi kapcsolót.** Extrém munkakörülmények között (pl.: magas páratartalom, fémpor keletkezése esetén) az elektromos biztonság növelhető egy leválasztó transzformátor vagy hibaáram-védelmi kapcsoló előkapcsolásán keresztül
3. **Személy védelem**
    - a. **Figyeljen munkájára. Figyeljen mindig arra, amit tesz. Használja az összes érzékszervét. Ne használja a készüléket, ha fáradt, vagy ha hallucinogén anyag, alkohol vagy gyógyszeres befolyásoltság alatt áll.** Elektromos kéziszerszám használatakor pillanatnyi figyelmetlenség is súlyos baleset előidézője lehet.

- b. Viseljen védőfelszerelést. Mindig viseljen védőszemüveget.** Használjon arc vagy pormaszkot, ha az elvégzendő munka nagy porral, vagy lepattanó részekkel járhat. Ügyeljen a hallásvédelemre is.
- c. Ne hagyja felügyelet nélkül bekapcsolva a gépet. Győződjön meg róla, hogy az üzemi kapcsoló kikapcsolt állapotban van, mielőtt az áramforrásra csatlakoztatja.** Ne szállítsa a feszültség alatt lévő gépet ujjával az üzemi kapcsolón, mivel ez súlyos baleset előidézője lehet.
- d. Ne hagyjon szerelőkulcsot a gépben.** A munka megkezdése előtt mindig ellenőrizze, hogy a szerelőszerszámot (kulcsot) eltávolította-e a készülékből.
- e. Álljon biztonságosan. Kerülje a rendellenes testtartást, és egyensúlyát soha ne veszítse el munkavégzés közben.** Így jobban irányíthatja a készüléket, még váratlan helyzetekben is.
- f. Viseljen megfelelő munkaruházatot. Szabadban viseljen gumikesztyűt és csúszásmentes lábbelit. Ne hordjon ékszert vagy laza ruházatot munkavégzés közben. Tartsa távol hosszú haját, ruházatát és munkakesztyűjét a mozgó részekről.** A laza ruházat, ékszerek vagy hosszú haj beakadhatnak a mozgó részekbe. Hosszú haj esetében használjon sapkát, hogy ne zavarja a munkában.
- g. Ha a készüléken megtalálható a porelszívási lehetőség, vagy a porzsák, úgy ügyeljen arra, hogy megfelelően csatlakoztassa és használja ezeket munka közben.** Porelszívó berendezés használatával nagymértékben csökkenthetőek a por okozta veszélyek.
- 4. Az elektromos kéziszerszám használata és ápolása**
- a. Mindig a megfelelő szerszámot használja. Ne erőltesse a kéziszerszámot.** A készülék rendeltetésszerű használatáról korábban már említést tettünk. Ne erőltesse túl a kisebb teljesítményű készülékeket, vagy tartozékokat, nagyobb teljesítményt igénylő munkánál. A termékkel jobban és biztonságosabban elvégezheti a munkát, hogy ha a teljesítmény kategóriájának megfelelően használja. **Figyelem!** Az Ön biztonsága érdekében csak olyan tartozékot, illetve kiegészítő berendezést használjon, melyet a kezelési utasítás ajánl.
- b. Ne használja a gépet, ha a kapcsoló nem működőképes.** Bármely kéziszerszám használata, amely nem irányítható megfelelően az üzemi kapcsolóval, nagyon veszélyes, ezért azonnal meg kell javíttatni a kapcsolót, ha sérült vagy nem működőképes.
- c. Áramtalanítsa a készüléket.** Mindig áramtalanítsa a készüléket, ha nem használja azt; mielőtt változtatna a gép bármely beállításán; tartozékot vagy feltétet cserél; valamint a termék átvizsgálása előtt.
- d. Ügyeljen a készülék megfelelő tárolására. Ha nem használja a készüléket, tartsa száraz, gyermekek elől gondosan elzárt helyen.** Az elektromos kéziszerszámok használata veszélyes lehet nem képzett felhasználó esetén.
- e. Ellenőrizze a készülék állapotát. Használat előtt mindig ellenőrizze a készüléket és a hálózati kábelt. Vizsgálja meg, hogy a mozgó részek megfelelően működnek, nincsenek akadályoztatva. Ellenőrizze a részegységeket, olajozásukat, esetleg előforduló töréseit, a kézvédő vagy a kapcsoló sérüléseit és minden olyan rendellenességet, ami befolyásolhatja a készülék használatát.** Bizonyosodjon meg róla, hogy a készülék megfelelően működik, és a kategóriájával egyenértékű teljesítményt biztosít. Ne használja a gépet, ha valamelyik alkatrésze sérült. A sérült vagy hibás alkatrészek javítását vagy cseréjét csak a kijelölt szakszervizek végezhetik. Soha ne kísérelje meg a javítást Önállóan, a sérült részeket és védőberendezéseket előírás szerint kell javíttatni vagy cseréltetni.
- f. A vágóeleket tartsa élesen és tisztán a jobb és biztonságosabb munkavégzés érdekében.** Kövesse a karbantartásra és tartozékcsereire vonatkozó előírásokat. Tartsa a fogantyúkat és kapcsolókat szárazon, tisztán és olajtól, zsírtól mentesen.
- g. Rögzítse a munkadarabot. Használjon satut vagy más leszorító eszközt a munkadarab rögzítésére.** Így biztonságossá válik a munkavégzés, és mindkét keze szabadon marad a gép irányítására.

## 5. Javítás

### a. Ez a kéziszerszám megfelel a vonatkozó biztonsági előírásoknak. Javítást csak szakszerviz végezhet, és csak eredeti gyári alkatrészeket szabad felhasználni.

A szakszerűtlen javítás súlyos baleset előidézője lehet.

### Az elektromos szerszámokra vonatkozó további speciális biztonsági utasítások



**Figyelem!** Kiegészítő biztonságtechnikai előírások csiszolókhöz.

- **A készüléket mindig a szigetelt markolati felületen tartsa, ha olyan munkát végez, ahol rejtett, vagy a saját vezetékével találkozhat a készülék.** Élő vezetékkel való találkozás a készülék fém részeit is élővé, vezetővé teszi, és így elektromos áramütés veszélyét jelenti a felhasználó számára.
- **Használjon satut vagy más lezorító eszközt a munkadarab rögzítésére.** Soha ne tartsa a munkadarabot kezeivel, vagy tegye lábaira, mert így a munkadarab nem áll stabilan, ami az irányítás elvesztéséhez vezethet.
- **Figyelem!** A csiszolási alkalmazásokkor keletkező porral való érintkezés vagy belégzés veszélyt jelenthet a munkaterületen tartózkodók és a felhasználó egészségére. Viseljen pormaszkot, melyet speciálisan arra terveztek, hogy megvédje használóját a keletkezett portól és gáztól. Ügyeljen arra, hogy a munkaterületen tartózkodó összes személy is viselje a pormaszkot.
- Csiszolás után alaposan távolítsa el minden pormaradványt.
- Különösen óvatosan dolgozzon, ha ólomtartalmú festékréteget, vagy olyan faanyagot vagy fémet csiszol, amelyből mérgező por keletkezhet.
- Ne engedjen gyerekeket és terhes nőket a munkaterületre.
- Viseljen speciális maszkot, ami véd az ólomportól és ólomgőztől, továbbá minden más személyt tartson távol a munkaterülettől.
- Enni, inni és dohányozni a munkaterületen tilos. Ne tároljon semmilyen ételt vagy italt a munkaterületen.
- Úgy távolítsa el a festékréteget, hogy a por mennyisége minél kevesebb legyen.

**A készülék használatát fiataloknak, illetve képzetlen felhasználók részére csak felügyelet mellett engedélyezze.** Gyermek esetén

különösen kiemelt felügyelet szükséges, hogy ne játszanak a készülékkel.

**A készülék rendeltetésszerű használatát már korábban körül írtuk.** Ne erőltesse túl a kisebb teljesítményű készülékeket, vagy tartozékokat, nagyobb teljesítményt igénylő munkánál. A termékkel jobban és biztonságosabban elvégezheti a munkát, hogy ha a teljesítmény kategóriájának megfelelően használja. Ne erőltesse a szerszámot. Az Ön biztonsága érdekében csak olyan tartozékot, illetve kiegészítő berendezést használjon, melyet a kezelési utasítás ajánl.

### Figyelmeztető szimbólumok a készüléken



**Figyelem!** Sérülésveszély csökkentéséhez, figyelmesen olvassa el a kezelési útmutatót a készülék üzembe helyezése előtt.

### Mások biztonsága

- Ezt a terméket nem használhatják korlátozott fizikai, mentális képességekkel rendelkező, vagy gyakorlattal és ismeretekkel nem rendelkező személyek (beleértve a gyermekeket is); kivétel, ha a biztonságukért felelős személy felügyeletet és tájékoztatást biztosít számukra.
- A gyerekeket felügyelni kell, nehogy játszanak a termékkel.

### Vibráció

A megállapított vibráció emisszió érték a standard teszt módszer szerint EN60745 szabvány szerint van mérve, és egy másik készülékkel való összehasonlításra szolgál. A megállapított vibráció emisszió érték, szintén használható a kitétség előzetes megbecsülésére.

**Figyelem!** A vibráció emisszió érték a készülék használatakor eltérhet a megállapított értéktől a készülék használatának módjától függően. A vibráció érték a megállapított szint fölé emelkedhet.

Mikor a vibráció kitétség megbecsülése biztonsági mérés szerint szükséges 2002/44/EC szabvány szerint a felhasználó alkalmazás közbeni megvédéséhez, figyelembe kell venni a kitétség időintervallumát, a munkaterület karakterisztikáját, a készülék használati módját, beleértve részegységek működési ciklusát, mint pl. a készülék be- és kikapcsolása a kapcsolóra gyakorolt hatása.

## Elektromos biztonság



Ez a készülék kettősszigetelésű, ezért a földelés nem szükséges. Mindig ellenőrizze, hogy a hálózati feszültség megfelel-e a gép adattábláján feltüntetettnek!

- Ha a hálózati kábel sérült, azonnal cseréltesse le egy Black & Decker márkaszervizben.

## Hosszabbító kábel használata

Ha hosszabbító kábel használata szükséges, úgy mindig használjon egy arra jóváhagyott hosszabbító kábelt, ami megfelel a készülék felvett teljesítményének (lásd a műszaki adatoknál). Használat előtt ellenőrizze a hosszabbító kábel állapotát, sérülés és kopás tekintetében. Azonnal cserélje le a hálózati kábelt, ha sérült vagy hibás. Ha kábeldobon lévő hosszabbító kábelt használ, mindig teljes hosszában tekercselje le az üzembe helyezés előtt. Olyan hosszabbító kábel használata, mely nem felel meg a készülék felvett teljesítményének, vagy sérült, vagy hibás, tűzveszélyes és elektromos áramütés veszélyét jelenti.

## Leírás

1. Üzemi (be/ki) kapcsoló
2. Porelszívó kimenet
3. Csiszolópapír csíptető
4. Csiszolótalp

## Összeszerelés

**Figyelem!** Mielőtt elkezdi a gép összeszerelését, győződjön meg arról, hogy a hálózati csatlakozó le van választva az áramforrásról, és a készülék ki van kapcsolva.

## A csiszolópapír felhelyezése (A ábra)

**Figyelem!** Soha ne használja a gépet csiszolópapír nélkül.

## Normál csiszolópapír felhelyezése (A ábra)

**Figyelem!** Ellenőrizze, hogy a készülék ki van kapcsolva, és áramtalanítva legyen.

- Lágýítsa meg a csiszolópapírt úgy, hogy a hátsó felével dörzsölje hozzá a munkaasztal éléhez.
- Nyomja a papírcsíptető karokat (3) felfelé a tartóhoronyból való kiemeléshez, és nyissa a papírcsíptetőket (3) úgy, hogy lefelé nyomja.
- Tegye a csiszolópapírt a csiszolótalpra (4).
- Illessze a csiszolópapír egyik végét az ábra szerint az elülső csíptetőbe (3).
- Nyomja az elülső csíptető kart (3) lefelé a tartóhoronyba.

- Feszítse a csiszolópapírt egy kissé, és helyezze a másik végét a hátsó csíptetőbe (3).
- Zárja a hátsó csíptető kart (3) lefelé.

## Porelszívó csatlakoztatása (C ábra)

- Csúsztassa a porelszívó adaptert (5) a kimenetre (2).
- Csatlakoztassa a porelszívó, vagy porszívó szívócsövét (6) az adapterhez (5).

## Maradványkockázatok

A biztonsági figyelmeztetésekben ismertetett kockázatok mellett más kockázatok is jellemezhetik a szerszám használatát. Ezek a kockázatok a szerszám rendeltetésétől eltérő, illetve huzamos használatából stb. adódhatnak. A vonatkozó biztonsági előírások alkalmazása és a védőeszközök használata ellenére bizonyos maradványkockázatokat nem lehet elkerülni. Ezek a következők:

- A forgó/mozgó alkatrészek megérintése által okozott sérülés.
- Az alkatrészek, vágólapok, tartozékok cseréje által okozott sérülés.
- A szerszám huzamos használatával okozott egészségkárosodás. Bármely szerszám huzamosabb ideig való használata esetén tartson rendszeres munkaszüneteket.
- Halláskárosodás.
- A használat közben famunkáknál keletkező por belégzése miatti egészségkárosodás, különös tekintettel a tölgy, bükk és MDF anyagokra).

## A készülék használata

**Figyelem!** Hagyja a készüléket a saját ütemében dolgozni. Ne terhelje túl.

## A készülék be- és kikapcsolása (B ábra)

- A gép beindításához, nyomja az üzemi be/ki kapcsoló „I” elülső részét (1).
- A gép kikapcsolásához, nyomja az üzemi be/ki kapcsoló „O” hátsó részét.

## Javaslatok optimális munkavégzéshez

- Ne helyezze kezeit a készülék levegőréseire.
- A gépet mindig két kézzel tartsa (D ábra).
- Ne gyakoroljon túl nagy nyomást a készülékre.
- Rendszeresen ellenőrizze a csiszolópapír állapotát. Szükség esetén cserélje ki.
- Mindig a fa erezetének irányába csiszoljon (D ábra).
- Friss festékréteg csiszolásánál a további festékrétegek felvitele előtt használjon extra finom csiszolópapírt.

- Egyenetlen felületek simításakor valamint régi festékréteg eltávolításakor, először használjon durva csiszolópapírt. Más felületeket először közepes finomságú csiszolópapírral csiszoljon. Mindkét esetben egy idő után váltson át finomabb csiszolópapírra, ezzel egyre simább, és finomabb felület érhető el.
- A tartozékokról további információért forduljon a Black & Decker Képviselethez vagy bármelyik márkakereskedőhöz.

## Karbantartás

- Az Ön készüléke minimális karbantartás mellett hosszú távú felhasználásra lett tervezve. A készülék folyamatos megfelelő működése nagymértékben függ az alapos ápolástól és a rendszeres tisztítástól.
- Mielőtt elkezdi a gép karbantartását, győződjön meg arról, hogy a hálózati csatlakozó le van választva az áramforrásról, és a készülék ki van kapcsolva.
- Rendszeresen tisztítsa a gép levegőréseit egy puha kefével, vagy egy száraz kendővel.
- Rendszeresen tisztítsa meg a motorházat egy tiszta, enyhén nedves kendővel. Ne használjon karcot hagyó tisztítószer vagy oldószer bázisú anyagot.

## Környezetvédelem



Elkülönített begyűjtés. Ezt a készüléket el kell különíteni a normál háztartási hulladéktól.

Egy napon, mikor készüléke eléri technikai élettartamának végét, vagy nincs további szüksége rá, gondoljon a környezetvédelemre. A terméket a normál háztartási hulladéktól elkülönítve kell megsemmisíteni.



Az elhasznált termékek és csomagolások elkülönített begyűjtése lehetővé teszi, ezek újrahasznosítását. Újrahasznosított vagy újra feldolgozott anyagok segítségével a környezetszennyezés, illetve a nyersanyagok iránti igény nagymértékben csökkenthető.

A helyi előírások rendelkezhetnek az elektromos készülékek háztartási hulladéktól elkülönített begyűjtéséről, helyhatósági hulladéklerakó helyeken vagy a kereskedők által új termék megvásárlásakor.

Black & Decker termékeire az élettartamuk lejártával visszavételi lehetőséget kínál. Ez a szolgáltatás ingyenes. Ha igénybe veszi ezt

a szolgáltatást, kérjük, juttassa el készülékét a legközelebbi Black & Decker szervizbe, melyekről a Magyarországi Képviseletnél érdeklődhet.

A szervizzel kapcsolatosan a következő Internet oldalon is felvilágosítást kaphat: [www.2helpU.com](http://www.2helpU.com).

## Műszaki adatok

		KA3001-ES TÍPUS
Feszültség	$V_{AC}$	230
Leadott teljesítmény	W	135
Üresjáratú oszcilláció	$\text{min}^{-1}$	22 000
Üresjáratú fordulatszám	$\text{min}^{-1}$	11 000
Súly	kg	1,2

Hangnyomásszint az EN 60745 szerint:

Hangnyomás (LpA) 78 dB(A),  
bizonytalanság (K) 3 dB(A)

Hangteljesítmény (LWA) 89 dB(A),  
bizonytalanság (K) 3 dB(A)

A vibráció értékeinek összege  
(triax vektor összeg)

az EN 60745 szabvány alapján:

Kibocsátott vibráció értéke (ah) 9,0  $\text{m/s}^2$ ,  
bizonytalanság (K) 2,7  $\text{m/s}^2$

## CE megfelelőségi nyilatkozat

GÉPEK IRÁNYELV



KA300

A Black & Decker kinyilvánítja, hogy a "Műszaki adatok" részben ismertetett termékek megfelelnek a következő irányelveknek és szabványoknak: 2006/42/EK, EN60745-1, EN60745-2-4

További információért forduljon a Black & Decker vállalathoz az alábbi címen, vagy a kézikönyv hátoldalán található elérhetőségeken.

Az aláírás tulajdonosa a műszaki adatok összeállításáért felelős személy; nyilatkozatát a Black & Decker vállalat nevében adja.

*K. Hewitt*

Kevin Hewitt  
Alelnök, globális mérnökség  
Black & Decker Europe,  
210 Bath Road, Slough,  
Berkshire, SL1 3YD  
Egyesült Királyság  
10-02-2010

## Garancia határozat

A Black & Decker elhivatott a termékei minősége iránt, és kiterjesztett garanciát kínál. Ez a garanciahatározat csak kiegészíti és semmi esetre sem befolyásolja hátrányosan az Ön törvényes jogait. A garancia az Európai Unió tagállamai területén, valamint az Európai Szabadkereskedelmi Társulás (EFTA) területén érvényes.

Ha egy Black & Decker termék anyaghiba, a kivitelezés módja vagy a megfelelés hiánya miatt meghibásodik, az eladás dátumától számított 24 hónapig a Black & Decker garanciát vállal a hibás alkatrészek cseréjére, a normál kopásnak kitett termékek javítására, illetve az ilyen termékek kicserélésére, hogy ügyfeleinek a lehető legkisebb kellemetlenséget okozza az alábbi feltételekkel:

- A terméket nem használták kereskedelmi, ipari alkalmazásokhoz, és nem adták bérbe;
- A terméket rendeltetésszerűen és körültekintően használták;
- A termék nem idegen tárgytól, szennyeződéstől vagy külső behatástól sérült meg;
- A termék javítására nem tett kísérletet olyan személy, aki nem tartozik a hivatalos szerviz vagy a Black & Decker szervizszemélyzet tagjai közé.

A garancia érvényesítéséhez az eladónak vagy a hivatalos szerviznek be kell nyújtani a vásárláskor kapott számlát. Ha igénybe veszi ezt a szolgáltatást, kérjük, juttassa el készülékét a legközelebbi Black & Decker szervizbe, melyekről a magyarországi képviseletnél érdeklődhet.

A szervizzel kapcsolatban a következő Internet oldalon is felvilágosítást kaphat:

**[www.2helpU.com](http://www.2helpU.com)**.

A következő meghibásodások esetén a garancia kizárt:

- Elhasználódott, illetve károsodott kések, és a hálózati kábel. Azok az alkatrészek, amelyek a normál használat során elkopnak.
- Azok a meghibásodások, amelyek a szakszerűtlen kezeléssel eredtek.
- Azok a hibák, amelyek a kezelési útmutató be nem tartásából eredtek.

**Kizárólag csak eredeti Black & Decker tartozékok és alkatrészek alkalmazhatók. Ellenkező esetben teljesítménycsökkenés léphet fel, és a gép elveszti a garanciát. Ha garanciális igénye van, feltétlen mellékelje a jótállási jegyet és a vásárlási okmányokat (számlát).**

## BLACK & DECKER GARANCIÁLIS FELTÉTELEK

Gratulálunk Önnek ennek az értékes Black & Decker készülék megvásárlásához.

Azon termékeinkre, amelyet fogyasztói használat keretében háztartási, hobby célra vásárolnak **24 hónap jótállást biztosítunk.**

### A termék iparszerű használatra nem alkalmas!

A jótállás a fogyasztó törvényből eredő jogait nem érinti.

- 1) **Black & Decker** kötelezettséget vállal arra, hogy a garanciális javításokat a **49/2003. (VII. 30.) GKM** és a **151/2003 (IX.22.) sz. Korm. rend.** szerint végzi.
  - a) A fogyasztó jótállási igényét a jótállási jeggyel érvényesítheti, ezért azt őrizze meg.
  - b) Vásárláskor az eladónak a garanciakártyán fel kell tüntetnie a vásárlás időpontját, a termék típusát vagy termékkódját, a kereskedés nevét, címét pedig a jótállási jegyre rá kell bélyegezni. Ennek alapján szerez jogosultságot a vevő a garancia időn belüli ingyenes garanciális javításra.
  - c) Jótállási javítást csak érvényes jótállási jegy alapján végezhetnek a kijelölt szervizek.
  - d) A jótállási jegyen történt bármilyen javítás, törlés vagy átírás, valótlan adatok bejegyzése, a jótállási jegy érvénytelenségét vonja maga után.
  - e) Elvesztett jótállási jegyet csak a vásárlási számla felmutatásával, térítés ellenében tudunk pótolni!
  - f) A jótállási jegy szabálytalan kiállítás vagy a fogyasztó részére történő átadásának elmaradása nem érinti a jótállási kötelezettségvállalás érvényességét.
- 2) **Nem terjed ki a garancia:**
  - a) Ha a hiba rendeltetésellenes használat, átalakítás, szakszerűtlen kezelés, helytelen tárolás, elemi kár vagy egyéb, vásárlás után keletkezett okból következett be. *(A rendeltetéssel ellentétes használat elkerülése céljából a termékhez magyar nyelvű vásárlói tájékoztatót mellékelünk és kérjük, hogy az abban foglaltakat saját érdekében tartsa be!)*
  - b) Az olyan károsodásokra, amelyek a szerszámok iparszerű (professzionális), közületi, valamint kölcsönzési felhasználása miatt keletkeztek.
  - c) Azon alkatrészekre, amelyeknél a meghibásodás garanciaidőn belül a helyes kezelés, karbantartás szerinti rendeltetészerű üzemeltetés mellett az alkatrészek természetes elhasználódása, kopása következtében állt elő. *(ezek a következők: megmunkáló szerszámok pl. vágószerszám, fűrészlánc, fűrészlap, gyalukés stb. továbbá: meghajtósíj, csapágy, szénkefe, csillagkerék kpl.)*
  - d) A készülék túlterhelése miatt jelentkező hibákra, amelyek a hajtómű meghibásodásához, vagy egyéb ebből adódó károkhoz vezetnek.
  - e) A termék nem hivatalos szervizben történt javításából eredő hibákra.
  - f) Az olyan károsodásokra, amelyek nem eredeti Black & Decker kiegészítő készülékek és tartozékok használatából adódnak.

- 3) **A fogyasztó** a javítás iránti igényét a forgalmazónál, illetve a jótállási jegyen feltüntetett javítószolgálatnál érvényesítheti.
  - Meghosszabbodik a jótállási idő a javítási idő azon részével, amely alatt a fogyasztó a terméket nem tudta rendeltetészerűen használni.
  - A jótállási és szavatossági jogok érvényesíthetőségének határidején belül a terméknek vagy jelentősebb részének kicserélése (javítása) esetén a kicserélt (javított) termékre (termékrészre) 12 hónap jótállást biztosítunk. Ezek a következők: motor illetve állórész, forgórész, elektronika.
  - Ha a fogyasztási cikk a vásárlástól (üzembe helyezéstől) számított három munkanapon belül meghibásodik, a fogyasztó kérheti annak kicserélését feltéve, hogy a meghibásodás a rendeltetészerű használatot akadályozza. A Black & Decker Hungary Kft. a meghibásodás okának feltárása céljából fenntartja a jogot a hibás termék bevizsgálására. Amennyiben a reklamáció alkalmával a meghibásodás garanciális voltáról nem nyilatkozunk, úgy 72 órán belül kell értesítenünk a vásárlót a reklamáció intézésének módjáról.  
Ha a csere nem lenne lehetséges, műszakilag hasonló készülék kerül felajánlásra, vagy visszafizethető a vételár.

Amennyiben a hiba keletkezése, ténye, jellege, (pl. rendeltetésellenes használat, stb.) miatt vita merül fel, a Fogyasztó szakvéleményt kérhet a Fogyasztóvédelmi Főfelügyelőségtől. A szakvélemény térítésköteles és nem kötelező érvényű a Forgalmazó számára.

- 4) **Garanciális javítás esetén** a szerviznek a garanciakártyán az alábbi adatokat kell feltüntetnie:
  - a garanciális igény bejelentésének dátumát,
  - a hiba rövid leírását,
  - a javítás módját és időtartamát,
  - a készülék visszaadásának időpontját,
  - javítás időtartamával meghosszabbított új garanciaidőt.
- 5) **Arra törekszünk, hogy szervizhálózatunkon** keresztül kiváló javítószolgálatot, zökkenőmentes alkatrészellátást, és széles tartozékpalettát biztosítsunk.
- 6) **A fogyasztót a Polgári Törvénykönyvről szóló 1959. évi IV. törvény 306-310. §-ában, valamint a 49/2003. (VII. 30.) GKM** rendeletben meghatározott jogok illetik meg.

#### Gyártó:

Black & Decker GmbH  
D – 65510 Idstein/Ts  
Black & Decker str. 40.

#### Importőr:

Black & Decker Hungary Kft.  
1016 Budapest  
Galeotti u. 5.



## Przeznaczenie

Opisywana szlifierka oscylacyjna Black & Decker przeznaczona jest do szlifowania drewna, metali, tworzyw sztucznych i powłok malarskich. Opisywane narzędzie jest przeznaczone do użytku amatorskiego.

## Zasady bezpiecznej pracy

Ogólne wskazówki dotyczące bezpiecznej pracy elektronarzędziami



**Uwaga! Należy zapoznać się ze wszystkimi ostrzeżeniami dotyczącymi bezpiecznej pracy oraz z instrukcją obsługi.** Nie stosowanie się do zaleceń może być przyczyną porażenia prądem elektrycznym, pożaru i/lub poważnego zranienia.

ZACHOWAJ WSZYSTKIE INSTRUKCJE I INFORMACJE DOTYCZĄCE BEZPIECZNEJ PRACY, ABY MÓC KORZYSTAĆ Z NICH W PRZYSZŁOŚCI

Określenie „elektronarzędzie” występujące w instrukcji dotyczy zarówno elektronarzędzi zasilanych sieciowo (przewodem zasilającym), jak i zasilanych akumulatorowo (bezp przewodowych).

### 1. Bezpieczeństwo w miejscu pracy

- a. **Utrzymuj miejsce pracy w czystości i dbaj o dobre oświetlenie.** Brak porządku i złe oświetlenie są częstą przyczyną wypadków.
- b. **Nie wolno używać elektronarzędzi w strefach zagrożonych wybuchem, w pobliżu palnych cieczy, gazów i pyłów.** W czasie pracy elektronarzędziem powstają iskry, które mogą spowodować zapłon palnych pyłów lub oparów.
- c. **W czasie pracy elektronarzędziami nie pozwalaj na przebywanie w pobliżu dzieci i innych osób postronnych.** Brak skupienia może spowodować utratę kontroli nad narzędziem.

### 2. Ochrona przed porażeniem prądem elektrycznym

- a. **Gniazdo musi być dostosowane do wtyczki elektronarzędzia. Nie wolno dokonywać przeróbek wtyczki. Nie wolno używać przejściówek do zasilania uziemionych elektronarzędzi.** Nieprzerabiane wtyczki i odpowiednie gniazda zmniejszają ryzyko porażenia prądem elektrycznym.
- b. **Należy unikać kontaktu ciała z zerowanymi lub uziemionymi powierzchniami, takimi**

**jak rury, kuchenki i lodówki.** Ryzyko porażenia prądem wzrasta, jeśli twoje ciało jest uziemione lub zerowane.

- c. **Nie wolno wystawiać narzędzi na deszcz lub działanie wilgoci.** Dostanie się wody do wnętrza narzędzia zwiększa zagrożenie porażeniem prądem elektrycznym.
  - d. **Nie wolno niszczyć przewodu zasilającego. Nie podnoś, nie ciągnij i nie wyciągaj z gniazda wtyczki, poprzez ciągnięcie za przewód zasilający elektronarzędzie. Chroń przewód zasilający przed kontaktem z gorącymi elementami, olejami, ostrymi krawędziami i ruchomymi częściami.** Ryzyko porażenia prądem wzrasta, gdy przewód jest uszkodzony lub poplątany.
  - e. **W czasie pracy na dworze, należy używać przedłużaczy przeznaczonych do stosowania poza pomieszczeniami zamkniętymi.** Używanie odpowiedniego przedłużacza zmniejsza ryzyko porażenia prądem elektrycznym.
  - f. **W czasie pracy w wilgotnym otoczeniu, należy używać źródła zasilania zabezpieczonego wyłącznikiem różnicowoprądowym.** Używanie wyłączników różnicowoprądowych zmniejsza ryzyko porażenia prądem.
- ### 3. Środki ochrony osobistej
- a. **W czasie pracy elektronarzędziem zachowaj czujność, patrz uważnie i kieruj się zdrowym rozsądkiem. Nie pracuj, gdy jesteś zmęczony lub pod wpływem narkotyków, alkoholu czy leków.** Chwila nieuwagi, w czasie pracy elektronarzędziem, może być przyczyną poważnego uszkodzenia ciała.
  - b. **Używaj środków ochrony osobistej. Zawsze zakładaj okulary ochronne.** Używanie odpowiedniego do warunków wyposażenia ochronnego, takiego jak maska przeciwpyłowa, antypoślizgowe obuwie ochronne, hełm ochronny czy ochrona słuchu, pozwala zmniejszyć ryzyko uszkodzenia ciała.
  - c. **Zapobiegaj przypadkowemu włączeniu. Przed podłączaniem do zasilania i/ lub włożeniem akumulatora oraz przenoszeniem narzędzia, upewnij się, że wyłącznik jest w pozycji „wyłączone”.** Trzymanie palca na wyłączniku w czasie przenoszenia lub podłączania do zasilania jest bardzo niebezpieczne.

- d. **Przed uruchomieniem narzędzia usuń wszelkie klucze i narzędzia do regulacji.** Pozostawienie klucza na części wirującej elektronarzędzia może spowodować zranienie.
- e. **Nie wychylaj się. Zadbaj o dobre podparcie nóg i stabilną postawę.** Umożliwia to lepszą kontrolę nad pracą elektronarzędzia w nagłych sytuacjach.
- f. **Założ odpowiedni strój. Nie noś luźnego ubrania ani biżuterii. Uważaj, aby do ruchomych części nie zbliżyć włosów, ubrania czy rękawic.** Luźne ubranie, biżuteria i długie włosy mogą zostać pochwycone przez ruchome części.
- g. **Jeśli sprzęt jest przystosowany do przyłączenia urządzeń odprowadzających i zbierających pył, upewnij się, czy są one przyłączone i właściwie użytkowane.** Użycie takich urządzeń zmniejsza niebezpieczeństwa związane z obecnością pyłów.
4. **Obsługa i konserwacja elektronarzędzi**
- a. **Nie przeciążaj elektronarzędzi. Używaj elektronarzędzi zgodnie z przeznaczeniem.** Dzięki odpowiednim narzędziom wykonasz pracę lepiej i w bezpieczny sposób, korzystając w pełni z ich wydajności.
- b. **Nie wolno używać elektronarzędzia z zepsutym wyłącznikiem, który nie pozwala na sprawne włączanie i wyłączanie.** Elektronarzędzie, którego pracy nie można kontrolować wyłącznikiem, stanowi niebezpieczeństwo i musi zostać naprawione.
- c. **Przed przystąpieniem do regulacji, wymiany akcesoriów oraz przed schowaniem elektronarzędzia, należy odłączyć wtyczkę od źródła zasilania i/lub odłączyć akumulator od urządzenia.** Takie postępowanie zmniejsza ryzyko niezamierzonego uruchomienia elektronarzędzia.
- d. **Nie używane elektronarzędzie przechowuj poza zasięgiem dzieci i nie dopuszczaj osób nie znających elektronarzędzia lub tej instrukcji do posługiwania się elektronarzędziem.** Elektronarzędzia obsługiwane przez osoby nieprzygotowane stanowią zagrożenie.
- e. **Regularnie dokonuj konserwacji elektronarzędzi. Sprawdź, czy ruchome części są właściwie połączone i zamocowane, czy części nie są uszkodzone oraz skontroluj wszelkie inne elementy mogące mieć wpływ na pracę elektronarzędzia. Wszelkie uszkodzenia należy naprawić przed rozpoczęciem pracy.** Wiele wypadków spowodowanych jest niedostateczną konserwacją elektronarzędzi.
- f. **Dbaj o czystość narzędzi i ostrość elementów tnących.** Zadbane narzędzia tnące, z ostrymi krawędziami tnącymi, rzadziej się zacinają i są łatwiejsze w prowadzeniu.
- g. **Elektronarzędzi, akcesoriów, końcówek itp. należy używać zgodnie z niniejszą instrukcją, uwzględniając warunki i rodzaj wykonywanej pracy.** Użycie elektronarzędzi niezgodnie z przeznaczeniem może powodować niebezpieczeństwo.
5. **Naprawy**
- a. **Powierzaj naprawy elektronarzędzi wyłącznie osobom wykwalifikowanym, używającym identycznych części zamiennych.** Zapewni to dalsze bezpieczne użytkowanie narzędzia.

#### Bezpieczne użytkowanie elektronarzędzi - wskazówki dodatkowe



**Uwaga!** Dodatkowe ostrzeżenia dla bezpieczeństwa pracy szlifierek.

- **Narzędzie należy trzymać wyłącznie za izolowane uchwyty, ponieważ istnieje prawdopodobieństwo zetknięcia taśmy szlifierskiej z przewodem zasilającym.** Przecięcie przewodu z prądem może spowodować pojawienie się napięcia na metalowych częściach obudowy i porażenie prądem operatora.
- **Używaj zacisków lub innego wygodnego sposobu mocowania i unieruchomienia obrabianego elementu.** Trzymanie obrabianego elementu w rękach lub dociskanie ciężarem ciała nie jest wystarczające i może być przyczyną utraty kontroli nad narzędziem.
- **Uwaga!** Kontakt z pyłem powstającym w czasie szlifowania i wdychanie go, mogą mieć negatywny wpływ na zdrowie użytkownika i osób znajdujących się w pobliżu. Należy nosić specjalną

maskę przeznaczoną do ochrony przed pyłem i oparami oraz upewnić się, że osoby w pomieszczeniu i wchodzące do pomieszczenia są również zabezpieczone.

- Dokładnie usunąć cały pył po skończonym szlifowaniu.
- Podjąć specjalne środki ostrożności w przypadku szlifowania powierzchni, które mogły być pomalowane farbami zawierającymi ołów a także podczas obróbki niektórych gatunków drewna i metali, których pył może być toksyczny:
- Nie pozwalaj dzieciom i kobietom w ciąży na zbliżanie się do miejsca pracy.
- Nie wolno jeść, pić ani palić papierosów w pobliżu miejsca pracy.
- Zebrany pył i inne resztki materiału należy zutylizować w bezpieczny sposób.

### Niniejsza instrukcja obsługi określa przeznaczenie opisywanego urządzenia.

Używanie jakichkolwiek akcesoriów lub wykonywanie prac sprzecznych z przeznaczeniem opisywanym w instrukcji obsługi, może powodować niebezpieczeństwo uszkodzenia ciała i/lub uszkodzenia mienia.

### Symbole na urządzeniu

Na obudowie narzędzia umieszczono następujące piktogramy:



**Uwaga!** Aby zminimalizować ryzyko zranienia, użytkownik musi zapoznać się z instrukcją obsługi.

### Bezpieczeństwo osób postronnych

- Opisywane urządzenie nie jest przeznaczone do użycia przez osoby o obniżonych możliwościach fizycznych, ruchowych lub umysłowych (także dzieci) lub o zbyt małej wiedzy i doświadczeniu, jeśli nie zostały one przeszkolone lub nie pozostają pod opieką osoby odpowiedzialnej za ich bezpieczeństwo.
- Należy pilnować dzieci, aby nie bawiły się urządzeniem.

### Drgania

Podawana w tabeli danych technicznych oraz w deklaracji zgodności z normami wartość drgań (wibracji), została zmierzona zgodnie ze standardową procedurą zawartą w normie EN 60745. Informacja ta może służyć do porównywania tego narzędzia z innymi. Deklarowana wartość emitowanych drgań może również służyć do przewidywania stopnia

narażenia użytkownika na wibracje.

**Uwaga!** Chwilowa siła drgań, występująca w czasie pracy elektronarzędziem, może odbiegać od podawanych wartości, w zależności od sposobu użytkowania urządzenia. Poziom wibracji może przekroczyć podawaną wartość. Przy określaniu ekspozycji na wibracje w celu podjęcia środków ochrony osób zawodowo użytkujących elektronarzędzia zgodnie z normą 2002/44/EC należy uwzględnić rzeczywiste warunki i rodzaj wykonywanej pracy. Także okresy przestoju i pracy bez obciążenia.

### Ochrona przed porażeniem prądem elektrycznym



Opisywane elektronarzędzie jest podwójnie izolowane, dlatego nie ma konieczności stosowania uziemienia. Zawsze sprawdzaj, czy napięcie sieci zasilającej jest zgodne z wartością podaną na tabliczce znamionowej.

- Aby uniknąć zagrożenia, wymianę uszkodzonego przewodu zasilającego należy zlecić producentowi lub autoryzowanemu serwisowi firmy Black & Decker.

### Użycie przedłużacza

- Używaj wyłącznie przedłużaczy posiadających atest i przystosowanych do zasilania danego narzędzia (patrz dane techniczne). Przed rozpoczęciem pracy sprawdź, czy przewód nie jest uszkodzony lub zużyty. Uszkodzony przedłużacz należy wymienić. Jeśli przewód nawinięty jest na bęben, zawsze należy go całkowicie rozwinąć. Użycie przedłużacza nie przystosowanego do obciążenia urządzeniami o mocy elektronarzędzia lub przewodu uszkodzonego, może powodować zagrożenie pożarem i porażeniem prądem.

### Wyposażenie

1. Wyłącznik
2. Przyłącze do odprowadzenia pyłu
3. Klamry mocowania papieru ściernego
4. Stopa szlifierki

### Montaż

**Uwaga!** Przed rozpoczęciem montażu upewnij się, czy narzędzie jest wyłączone i wtyczka zasilająca jest odłączona.

### Montaż papieru ściernego (Rys. A)

**Uwaga!** Nie wolno używać niekompletnego urządzenia lub bez papieru ściernego.

### Montaż papieru ściernego (Rys. A)

**Uwaga!** Upewnij się, że narzędzie jest wyłączone i wtyczka wyjęta z gniazda.

- Wyrobić arkusz papieru poprzez pocieranie go gładką stroną o brzeg blatu roboczego.
- Odciągnąć dźwignię klamry mocowania papieru ściernego (3) i zdjąć je z zaczepów. Następnie naciskając do dołu otworzyć klamry (3).
- Dopasować arkusz do stopy szlifierki (4).
- Wsunąć brzeg arkusza w przednią klamrę (3), jak pokazano na rysunku.
- Nacisnąć dźwignię klamry mocowania papieru ściernego (3) i włożyć w zaczepy.
- Naciągając lekko papier, wsunąć tylną część arkusza w tylną klamrę mocowania papieru.
- Nacisnąć dźwignię klamry (3) i włożyć w zaczepy.

### Przyłączanie odkurzacza (Rys. C)

- Wsunąć przejściówkę (5) w przyłączy do odprowadzania pyłu (2).
- Przyłączyć wąż odkurzacza (6) do przejściówki (5).

### Pozostałe zagrożenia

W czasie pracy elektronarzędziem mogą powstać zagrożenia, które nie zostały uwzględnione w załączonej instrukcji dotyczącej bezpiecznego użytkowania. Zagrożenia te mogą wynikać z niewłaściwego użytkowania, zbyt intensywnej eksploatacji lub tp.

Nawet w przypadku przestrzegania zasad bezpiecznej pracy i stosowania środków ochronnych, nie jest możliwe uniknięcie pewnych zagrożeń. Należą do nich:

- Zranienia wynikające z dotknięcia wirujących / ruchomych elementów.
- Zranienia w czasie wymiany części, ostrzy lub akcesoriów.
- Zranienia związane ze zbyt długotrwałym używaniem narzędzia. Pracując przez dłuższy czas, należy robić regularne przerwy.
- Ryzyko uszkodzenia słuchu.
- Zagrożenie dla zdrowia spowodowane wdychaniem pyłu wytwarzanego podczas użytkowania urządzenia (np.: podczas pracy w drewnie, szczególnie dębowym, bukowym oraz MDF).

### Eksploatacja

**Uwaga!** W czasie pracy uwzględnij wydajność narzędzia. Nie przeciążaj narzędzia.

### Włączanie i wyłączanie (Rys. B)

- Aby włączyć narzędzie, naciśnij część wyłącznika (1) oznaczoną '1'.
- Aby wyłączyć narzędzie, naciśnij część wyłącznika (1) oznaczoną '0'.

### Wskazówki praktyczne

- Nie zasłaniaj dłonią otworów wentylacyjnych.
- Zawsze trzymaj narzędzie obiema rękami (Rys. D).
- Nie dociskaj narzędzia zbyt mocno.
- Okresowo sprawdzaj stopień zużycia arkusza papieru ściernego. Zmieniaj papier w miarę potrzeb.
- Drewno należy szlifować wzdłuż słojów (Rys. D).
- Do przeszlifowania farby przed nałożeniem kolejnej warstwy, używaj bardzo drobnego papieru ściernego.
- Szlifowanie dużych nierówności oraz usuwanie starych farb rozpoczynaj od szlifowania papierem gruboziarnistym. W innych przypadkach rozpoczynaj szlifowanie od użycia papieru o średniej granulacji. W obu przypadkach stopniowo używaj coraz drobniejszego papieru aby otrzymać gładką powierzchnię końcową.
- Lokalny sprzedawca udzieli dalszych informacji na temat dostępnych akcesoriów.

### Konserwacja

- Narzędzia Black & Decker zostały zaprojektowane tak, aby zapewnić długoletnią, prawie bezobsługową, pracę urządzenia. Bezawaryjna i wydajna praca urządzenia uzależniona jest od odpowiedniej konserwacji i regularnego czyszczenia urządzenia.
- Przed wykonywaniem jakichkolwiek czynności konserwacyjnych wyłączyć narzędzie i wyjąć wtyczkę z gniazda.
- Regularnie czyścić otwory wentylacyjne przy użyciu miękkiej szczotki albo suchej ściereczki.
- Regularnie czyść obudowę urządzenia używając czystej wilgotnej ściereczki. Nie wolno używać środków czyszczących do szorowania ani na bazie rozpuszczalników.

### Ochrona środowiska



Selektywna zbiórka odpadów.

Opisywanego produktu nie wolno utylizować razem ze zwykłymi śmieciami z gospodarstw domowych.

Jeśli pewnego dnia okaże się, że narzędzie wymaga wymiany lub stało się niepotrzebne, prosimy uwzględnić wymogi ochrony środowiska. Przedstawiciele serwisowi Black & Decker przyjmą od Państwa stare urządzenie i zapewnią jego bezpieczną dla środowiska utylizację.



Selektywna zbiórka zużytych produktów i opakowań pozwala na recykling materiałów i ich powtórne wykorzystanie. Powtórne użycie materiałów pomaga chronić środowisko naturalne przed zanieczyszczeniem i zmniejsza zapotrzebowanie na surowce.

Lokalne prawodawstwo może zapewniać możliwość selektywnej zbiórki zużytych sprzętów elektrycznych z gospodarstw domowych, poprzez pozostawienie ich w punktach na miejskich wysypiskach śmieci lub u sprzedawcy, przy zakupie nowego sprzętu.

Black & Decker zapewnia możliwość zbiórki i recyklingu swoich produktów po zakończeniu okresu eksploatacji. Aby skorzystać z tej możliwości, prosimy zwrócić się do jednego z Autoryzowanych Przedstawicieli Serwisowych, który odbierze je od Państwa w naszym imieniu.

Adres najbliższego Autoryzowanego Przedstawiciela Serwisowego otrzymają Państwo kontaktując się z lokalnym biurem Black & Decker, którego adres zamieszczony jest w tej instrukcji. Lista Autoryzowanych Przedstawicieli Serwisowych Black & Decker oraz inne informacje na temat naszego serwisu posprzedażnego dostępne są na stronie internetowej: [www.2helpU.com](http://www.2helpU.com).

#### Dane techniczne

	<b>KA300 TYPE 1</b>	
Napięcie	$V_{AC}$	230
Moc	$W$	135
Oscylacje (bez obciążenia)	$min^{-1}$	22 000
Ruchy okrężne (bez obciążenia)	$min^{-1}$	11 000
Waga	$kg$	1,2

Poziom ciśnienia akustycznego zgodnie z EN 60745:

Ciśnienie akustyczne (LpA) 78 dB(A),  
niepewność (K) 3 dB(A)  
Moc akustyczna (LWA) 89 dB(A),  
niepewność (K) 3 dB(A)

Sumaryczna wielkość drgań (suma wektorów trzech osi)

zgodnie z normą EN 60745:  
Wartość emisji wibracji (ah) 9.0 m/s<sup>2</sup>,  
niepewność (K) 2,7 m/s<sup>2</sup>

#### Deklaracja zgodności UE DYREKTYWA MASZYNOWA



**KA300**

Firma Black & Decker oświadcza, że opisywane produkty nr kat.KD855/KD860/KD865 spełniają wymagania norm: 2006/42/EC, EN60745-1, EN60745-2-4

Aby otrzymać więcej informacji, należy skontaktować się z firmą Black & Decker pod adresem podanym poniżej lub na końcu instrukcji.

Osoba niżej podpisana odpowiedzialna jest za zestawienie informacji technicznych i złożenie deklaracji zgodności w imieniu firmy Black & Decker.

Kevin Hewitt  
Vice-President  
Global Engineering  
Black & Decker Europe,  
210 Bath Road, Slough,  
Berkshire, SL1 3YD  
Wielka Brytania  
10-02-2010

## Black & Decker

### Warunki gwarancji:

Gwarantujemy sprawne działanie produktu, zgodnie z warunkami techniczno-eksploatacyjnymi opisanymi w instrukcji obsługi. Niniejszą gwarancją nie jest objęte wyposażenie i inne akcesoria, jeżeli nie została do nich dołączona oddzielna karta gwarancyjna oraz elementy podlegające naturalnemu zużyciu.

1. Niniejszą gwarancją objęte są usterki produktu spowodowane wadami produkcyjnymi i wadami materiałowymi.
2. Niniejsza gwarancja jest ważna po przedstawieniu przez Klienta w Centralnym Serwisie Gwarancyjnym reklamowanego produktu oraz łącznie:
  - a) poprawnie wypełnionej karty gwarancyjnej;
  - b) ważnego paragonu zakupu z datą sprzedaży taką, jak w karcie gwarancyjnej lub kopii faktury.
3. Gwarancja obejmuje bezpłatną naprawę urządzenia (wraz z bezpłatną wymianą uszkodzonych części) w okresie 24 miesięcy od daty zakupu.
4. Produkt reklamowany musi być:
  - a) dostarczony bezpośrednio do Centralnego Serwisu Gwarancyjnego wraz z poprawnie wypełnioną Kartą Gwarancyjną i ważnym paragonem zakupu (lub kopią faktury) oraz szczegółowym opisem uszkodzenia, lub
  - b) przesłany do Centralnego Serwisu Gwarancyjnego za pośrednictwem punktu sprzedaży wraz z dokumentami wymienionymi powyżej.
5. Koszty wysyłki do Centralnego Serwisu Gwarancyjnego ponosi Black & Decker. Wszelkie koszty związane z zapewnieniem bezpiecznego opakowania, ubezpieczeniem i innym ryzykiem ponosi Klient. W przypadku odrzucenia roszczenia gwarancyjnego, produkt jest odsyłany do miejsca nadania na koszt adresata.
6. Usterki ujawnione w okresie gwarancji będą usunięte przez Centralny Serwis Gwarancyjny w terminie:
  - a) 14 dni roboczych od daty przyjęcia produktu przez Centralny Serwis Gwarancyjny;
  - b) termin usunięcia wady (punkt 6 a) może być wydłużony o czas niezbędny do importu niezbędnych części zamiennych;
7. Klient otrzyma nowy sprzęt, jeżeli:
  - a) Centralny Serwis Gwarancyjny stwierdzi na piśmie, że usunięcie wady jest niemożliwe;
  - b) produkt nie podlega naprawie, tylko wymianie bez dokonywania naprawy.
8. O ile taki sam produkt jest nieosiągalny, może być wydany nowy produkt o niegorszych parametrach.
9. Decyzja Centralnego Serwisu Gwarancyjnego odnośnie zasadności zgłaszanych usterek jest decyzją ostateczną.
10. Gwarancją nie są objęte:
  - a) wadliwe działanie lub uszkodzenia spowodowane niewłaściwym użytkowaniem lub używaniem produktu niezgodnie z przeznaczeniem, instrukcją obsługi lub przepisami bezpieczeństwa. W szczególności profesjonalne użytkowanie amatorskich narzędzi Black & Decker powoduje utratę gwarancji;
  - b) wadliwe działanie lub uszkodzenia spowodowane przeciążaniem narzędzia, które prowadzi do uszkodzeń silnika, przekładni lub innych elementów a także stosowaniem osprzętu innego niż zalecany przez Black & Decker;
  - c) mechaniczne uszkodzenia produktu i wywołane nimi wady;
  - d) wadliwe działanie lub uszkodzenia na skutek działania pożaru, powodzi, czy też innych klęsk żywiołowych, nieprzewidzianych wypadków, korozji, normalnego zużycia w eksploatacji czy też innych czynników zewnętrznych;
  - e) produkty, w których naruszone zostały plomby gwarancyjne lub, które były naprawiane poza Centralnym Serwisem Gwarancyjnym lub były przerabiane w jakikolwiek sposób;
  - f) osprzęt eksploatacyjny dołączony do urządzenia i inne elementy ulegające naturalnemu zużyciu.
11. Centralny Serwis Gwarancyjny, firmy handlowe, które sprzedały produkt, nie udzielają upoważnień ani gwarancji innych niż określone w karcie gwarancyjnej. W szczególności nie obejmują prawa klienta do domagania się zwrotu utraconych zysków w związku z uszkodzeniem produktu.
12. Gwarancja nie wyłącza, nie ogranicza ani nie zawieszają uprawnień kupującego wynikających z niezgodności towaru z umową.

**Centralny Serwis Gwarancyjny ERPATECH**  
**ul. Obozowa 61, 01-418 Warszawa**  
**tel.: (22) 862-08-08, fax: (22) 862-08-09**

## Použitie výrobku

Vaša elektrická vibračná brúska Black & Decker je určená na brúsenie dreva, kovu, plastov a lakovaných povrchov. Tento výrobok je určený len na spotrebiteľské použitie.

## Bezpečnostné pokyny

### Všeobecné bezpečnostné pokyny pre prácu s elektrickým náradím



**Varovanie! Pozorne si prečítajte všetky bezpečnostné varovania a pokyny.**

Nedodržanie uvedených pokynov môže spôsobiť úraz elektrickým prúdom, vznik požiaru alebo iné vážne poranenie.

VŠETKY BEZPEČNOSTNÉ VAROVANIA A POKYNY SI USCHOVAJTE PRE PRÍPADNÉ ĎALŠIE POUŽITIE.

Označenie „elektrické náradie“ vo všetkých nižšie uvedených upozorneniach odkazuje na Vaše náradie napájané zo siete (obsahuje napájací prívodný kábel) alebo náradie napájané batériami (bez prívodného kábla).

#### 1. Bezpečnosť v pracovnom priestore

- Pracovný priestor udržiavajte v čistote a dobre osvetlený.** Preplnený a neosvetlený pracovný priestor môže spôsobiť úraz.
- S elektrickým náradím nepracujte vo výbušných prostrediach, ako sú napríklad priestory, v ktorých sa vyskytujú horľavé kvapaliny, plyny alebo prašné látky.** Elektrické náradie je zdrojom iskrenia, čo môže viesť k zapáleniu prachu alebo výparov.
- Pri práci s elektrickým náradím dbajte na to, aby sa do jeho blízkosti nedostali deti a okolo stojace osoby.** Rozptyľovanie môže spôsobiť stratu kontroly nad náradím.

#### 2. Elektrická bezpečnosť

- Zástrčka prívodného kábla náradia musí zodpovedať zásuvke. Nikdy akýmkoľvek spôsobom zástrčku neupravujte. Pri náradí, ktoré je chránené zemnením nepoužívajte akékoľvek redukcie zástrčiek.** Neupravované zástrčky a zodpovedajúce zásuvky znižujú riziko vzniku úrazu elektrickým prúdom.
- Vyvarujte sa dotyku s uzemnenými plochami ako je potrubie, radiátory, sporáky a chladničky.** Pri uzemnení Vášho tela vzrastá riziko úrazu elektrickým prúdom.
- Nevystavujte elektrické náradie dažďu alebo vlhkému prostrediu.** Pokiaľ do náradia vnikne voda, zvýši sa riziko úrazu elektrickým prúdom.

- S prívodným káblom zaobchádzajte opatrne. Nepoužívajte prívodný kábel na prenášanie náradia, ťahanie alebo vyťahovanie zástrčky zo zásuvky. Zabráňte kontaktu kábla s horúcimi, masnými a ostrými predmetmi a pohyblivými časťami náradia.** Poškodený alebo zapletený prívodný kábel zvyšuje riziko vzniku úrazu elektrickým prúdom.
  - Ak pracujete s elektrickým náradím vonku, používajte predlžovací kábel určený na vonkajšie použitie.** Použitie kábla na vonkajšie použitie znižuje riziko úrazu elektrickým prúdom.
  - Pri práci s elektrickým náradím vo vlhkom prostredí je nevyhnutné používať prúdový chránič (RCD).** Použitie prúdového chrániča RCD znižuje riziko úrazu elektrickým prúdom.
- ### 3. Bezpečnosť osôb
- Zostaňte stále pozorní, sledujte, čo vykonávate a pri práci s náradím premýšľajte. S náradím nepracujte, ak ste unavení alebo ak ste pod vplyvom omamných látok, alkoholu alebo liekov.** Chvilková nepozornosť pri práci s náradím môže privodiť vážne zranenie.
  - Používajte prostriedky na ochranu osôb. Vždy používajte ochranu zraku.** Bezpečnostná výbava ako je respirátor, nekízavá bezpečnostná obuv, pevná prilba alebo ochranné slúchadlá použitá v zodpovedajúcich podmienkach znižuje riziko úrazu.
  - Zabráňte náhodnému zapnutiu. Pred pripojením k zdroju napätia alebo pred vložením akumulátora, zdvíhaním alebo prenášaním náradia skontrolujte, či je hlavný vypínač vypnutý.** Prenášanie náradia s prstom na hlavnom vypínači alebo pripojenie prívodného kábla k elektrickému rozvodu, ak je hlavný vypínač náradia v polohe zapnuté, môže spôsobiť úraz.
  - Pred zapnutím náradia sa vždy uistite, či nie sú v jeho blízkosti kľúče alebo nastavovacie prípravky.** Kľúč zanechaný v rotujúcich častiach náradia môže spôsobiť poranenie osôb.
  - Neprekážajte sami sebe. Pri práci vždy udržiavajte vhodný a pevný postoj.** To umožní lepšiu ovládateľnosť náradia v neočakávaných situáciách.

- f. **Vhodne sa obliekajte. Nenoste voľný odev alebo šperky. Dbajte na to, aby sa Vaše vlasy, odev alebo rukavice nedostali do nebezpečnej blízkosti pohyblivých častí.** Voľný odev, šperky alebo dlhé vlasy môžu byť pohyblivými dielmi zachytené.
- g. **Ak je náradie vybavené výstupom na pripojenie odsávania a zberným vakom, skontrolujte tieto funkcie a uistite sa, či sú správne používané.** Použitie týchto zariadení môže znížiť nebezpečenstvo týkajúce sa prachu.
4. **Použitie elektrického náradia a jeho údržba**
- a. **Náradie nepreťažujte. Používajte správne elektrické náradie, ktoré zodpovedá vykonávanej práci.** Pri použití správneho typu náradia bude práca vykonaná lepšie a bezpečnejšie.
- b. **Ak nejde hlavný vypínač náradia zapnúť a vypnúť, s náradím nepracujte.** Akékoľvek náradie s nefunkčným hlavným vypínačom je nebezpečné a musí byť opravené.
- c. **Pred výmenou akýchkoľvek častí, príslušenstva či iných pripojených súčastí, pred prevádzkaním servisu alebo pokiaľ náradie nepoužívate, odpojte ho od elektrickej siete a/ alebo vyberte akumulátor.** Tieto preventívne bezpečnostné opatrenia znižujú riziko náhodného zapnutia náradia.
- d. **Skladujte nepoužívané elektrické náradie mimo dosahu detí a nedovoľte osobám neoboznámeným s týmto náradím alebo s návodom na použitie, aby s týmto elektrickým náradím pracovali.** Elektrické náradie je v rukách nekvalifikovanej obsluhy nebezpečné.
- e. **Údržba elektrického náradia. Skontrolujte vychýlenie či zaseknutie pohyblivých častí, poškodenie jednotlivých dielov a iné okolnosti, ktoré môžu mať vplyv na chod náradia. Pokiaľ je náradie poškodené, nechajte ho opraviť.** Veľa nehôd býva spôsobených nedostatočnou údržbou náradia.
- f. **Rezné nástroje udržiavajte ostré a čisté.** Riadne udržiavané rezné nástroje s ostrými reznými hranami sa menej zanášajú a lepšie sa ovládajú.
- g. **Náradie, príslušenstvo a nástavce používajte podľa týchto pokynov**

a spôsobom, ktorý je určený pre daný typ náradia. **Berte do úvahy aj prevádzkové podmienky a prácu, ktorú je nutné vykonať.** Použitie náradia na iné účely, než na aké je určené, môže byť nebezpečné.

## 5. Opravy

- a. **Zverte opravu Vášho elektrického náradia iba osobe s príslušnou kvalifikáciou s použitím výhradne originálnych náhradných dielov.** Tým zaistíte bezpečnú prevádzku náradia.

## Doplňkové bezpečnostné pokyny pre prácu s elektrickým náradím



**Varovanie!** Dopĺňujúce bezpečnostné pokyny pre brúsky.

- **Elektrické náradie držte za izolované rukoväte, pretože môže dôjsť k zachyteniu prírodného kábla brúsnym pásom.** Pri kontakte so „živým“ vodičom spôsobia neizolované kovové časti náradia obsluhu úraz elektrickým prúdom.
- **Na prichytenie obrobku k stabilnej podložke použite svorky alebo iný osvedčený spôsob.** Držanie obrobku rukou alebo jeho pritisnutie k telu zapríčini, že obrobok nebude stabilne uchytený a to môže viesť k strate kontroly.
- **Varovanie!** Vyvarujte sa kontaktu alebo vdýchnutiu prachu vzniknutého pri rezaní, tento môže byť pre obsluhu a okolité osoby zdraviu nebezpečný. Používajte masku proti prachu určenú špeciálne na ochranu pred toxickým prachom a podobnými splodinami a zaistite, aby boli takto chránené všetky osoby nachádzajúce sa alebo vstupujúce do pracovného priestoru.
- Po brúsení odstráňte všetok prach.
- Buďte veľmi opatrní pri brúsení povrchov s nátermi, ktoré môžu obsahovať prísadu olova, alebo pri brúsení drevených alebo kovových materiálov, pri ktorom môžu vzniknúť toxické látky.
- Zamedzte vstupu detí a tehotných žien do pracovného priestoru.
- Na pracovisku nejedzte, nepijte ani nefajčite.
- Zaistite bezpečnú likvidáciu prachu a ostatných nečistôt vzniknutých pri brúsení.

**Použitie tohto náradia je popísané v tomto návode.** Použitie akéhokoľvek iného príslušenstva alebo prídavných zariadení, alebo akéhokoľvek iné využitie tohto náradia, než je popísané v tomto



návode na použitie, môže mať za následok riziko poranenia osôb alebo škody na majetku.

### Nálepky na stroji

Na stroji sú nasledovné piktogramy:



**Varovanie!** Aby ste znížili riziko vzniku úrazu musí byť obsluha oboznámená s týmto návodom na použitie.

### Bezpečnosť ostatných osôb

- Toto zariadenie nie je určené na použitie osobami (vrátane detí) so zníženými fyzickými, zmyslovými alebo duševnými schopnosťami, alebo nedostatkom skúseností a znalostí, ak týmto osobám nebol stanovený dohľad, alebo ak im neboli poskytnuté inštrukcie týkajúce sa použitia zariadenia osobou zodpovednou za ich bezpečnosť.
- Deti by mali byť pod dozorom, aby sa s náradím nehrali.

### Vibrácie

Deklarovaná úroveň vibrácií uvedená v technických údajoch a v prehlásení o zhode bola meraná v súlade so štandardnou skúšobnou metódou predpísanou normou EN 60745 a môže sa použiť na porovnávanie jednotlivých náradí medzi sebou. Deklarovaná úroveň vibrácií môže byť tiež použitá na predbežné stanovenie doby práce s týmto výrobkom.

**Varovanie!** Úroveň vibrácií pri aktuálnom použití elektrického náradia sa môže od deklarovanej úrovne vibrácií líšiť v závislosti od spôsobu použitia výrobku. Úroveň vibrácií môže byť oproti uvedenej hodnote vyššia.

Pri stanovení doby vystavenia sa vibráciám a určení bezpečnostných opatrení podľa normy 2002/44/EC na ochranu osôb pravidelne používajúcich elektrické náradie v zamestnaní by mal predbežný odhad pôsobenia vibrácií brať do úvahy aktuálne podmienky použitia náradia s prihliadnutím na všetky časti pracovného cyklu, ako aj času, počas ktorého je náradie vypnuté a kedy beží naprázdno.

### Elektrická bezpečnosť



Toto náradie je chránené dvojitoú izoláciou, preto nie je nutné použiť zemnaci vodič. Vždy skontrolujte, či sieťové napätie vyhovuje napätiu uvedenému na typovom štítku náradia.

- Poškodený prívodný kábel musí byť vymenený výrobcom alebo mechanikom autorizovaného servisu Black & Decker.

### Použitie predlžovacieho kábla

- Vždy používajte schválený typ predlžovacieho kábla, ktorý je vhodný pre príkon tohto náradia (viď technické údaje). Pred použitím predlžovací kábel riadne prehladnite, či nie je poškodený alebo opotrebovaný. Ak je tento kábel poškodený, vymeňte ho. V prípade použitia zvinovacieho kábla, odviňte vždy celú dĺžku kábla. Použitie predlžovacieho kábla, ktorý nie je vhodný pre príkon tohto náradia alebo ktorý je poškodený, môže viesť ku vzniku zranenia spôsobeného elektrickým prúdom alebo ku vzniku požiaru.

### Popis

- Hlavný vypínač
- Výstupný otvor na odvod prachu
- Páčky na upnutie papiera
- Brúsna základňa

### Nastavenie

**Varovanie!** Pred montážou sa uistite, či je náradie vypnuté a či je prívodný kábel odpojený od zásuvky.

### Uchytenie brúsneho papiera (obr. A)

**Varovanie!** Nikdy nepoužívajte náradie bez pripevneného brúsneho papiera alebo pripojeného príslušenstva.

### Nasadenie bežných brúsnych papierov (obr. A)

**Varovanie!** Pred montážou sa uistite, či je náradie vypnuté a či je prívodný kábel odpojený od zásuvky.

- Zmäkčíte list brúsneho papiera trením jeho nebrúsenej strany o hranu pracovného stola.
- Stlačte páčky na upnutie papiera (3) smerom nahor tak, aby sa uvoľnili z príchytých drážok a stlačením smerom dole páčky na upnutie papiera otvorte.
- Na brúsnu základňu (4) umiestnite brúsny papier.
- Okraj brúsneho papiera vložte pod prednú príchytú páčku upnutia papiera (3) spôsobom znázorneným na obrázku.
- Stlačte prednú páčku na upnutie papiera (3) smerom nadol a zaistite ju v príchytnej drážke.
- Zatiaľ čo budete brúsny papier mierne napínať, vložte zadný okraj brúsneho papiera pod zadnú príchytú páčku upnutia papiera (3).
- Stlačte zadnú páčku na upnutie papiera (3) smerom nadol a zaistite ju v príchytnej drážke.

**Pripojenie vysávača (obr. C)**

- Do výstupného otvoru na odvod prachu (2) zasunúť nástavec (5).
- Hadicu (6) vhodného vysávača pripojte k výstupnému otvoru nástavca (5).

**Zvyškové riziká**

Ak sa náradie používa iným spôsobom, než je uvedené v priložených bezpečnostných varovaniach, môžu sa objaviť dodatočné zvyškové riziká. Tieto riziká môžu vzniknúť v dôsledku nesprávneho použitia, dlhodobého použitia atď.

Napriek tomu, že sa dodržiavajú príslušné bezpečnostné predpisy a používajú sa bezpečnostné zariadenia, určité zvyškové riziká sa nemôžu vylúčiť. Tieto riziká sú nasledujúce:

- Zranenia spôsobené kontaktom s akoukoľvek rotujúcou alebo pohybujúcou sa časťou.
- Zranenia spôsobené pri výmene dielov, pracovného nástroja alebo príslušenstva.
- Zranenia spôsobené dlhodobým použitím náradia. Ak používate akékoľvek náradie dlhší čas, zaistíte, aby sa robili pravidelné prestávky.
- Poškodenie sluchu.
- Zdravotné riziká spôsobené vdychovaním prachu vytváraného pri použití náradia (príklad: - práca s drevom, najmä s dubovým, bukovým a MDF).

**Použitie**

**Varovanie!** Nechajte náradie pracovať jeho vlastným tempom. Zamedzte preťažovaniu náradia.

**Zapnutie a vypnutie (obr. B)**

- Ak chcete náradie zapnúť, stlačte prednú časť vypínača (1) označenú ‚I‘.
- Ak chcete náradie vypnúť, stlačte časť vypínača (1) označenú ‚0‘.

**Užitočné rady**

- Dbajte na to, aby Vaše ruky nezakrývali ventilačné drážky.
- Náradie držte vždy oboma rukami (obr. D).
- Nevývijajte na brúsku nadmerný tlak.
- Pravidelne kontrolujte stav brúsneho listu. Ak je to nutné, vymeňte ho.
- Brúsenie dreva vykonávajte vždy v smere vlákien dreva (obr. D).
- Ak brúsíte náterové vrstvy pred nanosením novej vrstvy farby, používajte brúsny papier s veľmi jemnými brúsnymi zrnami.

- Na veľmi nerovných povrchoch alebo pri odstraňovaní náterových vrstiev zahájte prácu s brúsnym papierom s hrubými zrnami. Na ostatných povrchoch zahájte prácu s brúsnym papierom so strednou veľkosťou zrn. V oboch prípadoch postupne nahradzujte hrubší brúsny papier jemnejším, aby ste dosiahli dokonalú povrchovú úpravu.
- Ďalšie informácie týkajúce sa príslušenstva získate u svojho značkového predajcu.

**Údržba**

- Vaše náradie Black & Decker bolo skonštruované tak, aby Vám slúžilo dlhú dobu s minimálnymi nárokmi na údržbu. Dlhodobá bezproblémová funkcia náradia závisí od jeho správnej údržby a pravidelného čistenia.
- Pred prevádzkaním akejkoľvek údržby náradie vypnite a odpojte kábel od siete.
- Pomocou mäkkej kefy alebo suchej handričky pravidelne čistite vetracie drážky na náradí.
- Pravidelne čistite kryt motora vlhkou handričkou. Nepoužívajte na čistenie abrazívne prostriedky ani rozpúšťadlá.

**Ochrana životného prostredia**

Triedenie odpadu. Tento výrobok nesmie byť likvidovaný spolu s bežným komunálnym odpadom.

Jedného dňa zistíte, že náradie musíte vymeniť alebo že ho nebudete ďalej používať. V tomto prípade myslite na ochranu životného prostredia. Zástupcovia servisu Black & Decker od Vás staré náradie Black & Decker odoberú a postarajú sa o jeho spracovanie, bez toho, aby došlo k ohrozeniu životného prostredia.



Triedený odpad umožňuje recykláciu a opätovné využitie použitých výrobkov a obalových materiálov. Opätovné použitie recyklovaných materiálov pomáha chrániť životné prostredie pred znečistením a znižuje spotrebu surovín.

Pri zakúpení nových výrobkov Vám miestne zberne odpadov, recyklačné stanice alebo predajne poskytnú informácie o správnej likvidácii elektroodpadov z domácnosti.

Spoločnosť Black & Decker tiež poskytuje možnosť zberu použitých výrobkov alebo ich

recykláciu. V rámci tejto výhodnej služby vráťte vaše náradie ktorejkoľvek autorizovanej servisnej pobočke Black & Decker, kde bude toto náradie zhromaždené a s ohľadom na životné prostredie recyklované.

Miesto vašej najbližšej autorizovanej servisnej pobočky Black & Decker sa dozviete na príslušnej adrese uvedenej na zadnej strane tejto príručky. Prehľad autorizovaných servisov Black & Decker a rovnako ďalšie informácie týkajúce sa nášho popredajného servisu môžete nájsť tiež na internetovej adrese: **www.2helpU.com**

### Technické údaje

	KA300 TYP 1	
Napätie	$V_{AC}$	230
Výkon	W	135
Počet kmitov (naprázdno)	$\text{min}^{-1}$	22 000
Otáčky (naprázdno)	$\text{min}^{-1}$	11 000
Hmotnosť	kg	1,2

Hladina akustického tlaku podľa normy EN 60745:

Akustický tlak ( $L_p$ ) 78 dB(A),  
odchýlka (K) 3 dB(A)  
Akustický výkon (LWA) 89 dB(A),  
odchýlka (K) 3 dB(A)

Celková úroveň vibrácií (priestorový vektorový súčet) určená podľa normy EN 60745:  
Úroveň vibrácií (ah) 9,0  $\text{m/s}^2$ ,  
odchýlka (K) 2,7  $\text{m/s}^2$

### ES Vyhlásenie o zhode v rámci EÚ

SMERNICA PRE STROJOVÉ ZARIADENIA



Spoločnosť Black & Decker vyhlasuje, že tieto produkty popisované v technických údajoch spĺňajú požiadavky nasledujúcich noriem: 2006/42/EC, EN60745-1, EN60745-2-4

Ak chcete získať ďalšie informácie, kontaktujte, prosím, spoločnosť Black & Decker na tejto adrese alebo na adresách, ktoré sú uvedené na konci tohto návodu.

Nižšie podpísaná osoba je zodpovedná za zostavenie technických údajov a vydáva toto vyhlásenie v zastúpení spoločnosti Black & Decker.

Kevin Hewitt  
Viceprezident pre  
spotrebiteľskú techniku  
Black & Decker Europe,  
210 Bath Road, Slough,  
Berkshire, SL1 3YD  
United Kingdom  
10-02-2010

### Záruka

Spoločnosť Black & Decker je presvedčená o kvalite svojich výrobkov a ponúka mimoriadnu záruku. Táto záruka je ponúkaná v prospech zákazníka a nijako neovplyvní jeho zákonné záručné práva. Táto záruka platí vo všetkých členských štátoch EÚ a v Európskej zóne voľného obchodu EFTA.

Ak sa objavia na výrobku Black & Decker, v priebehu 24 mesiacov od kúpy, akékoľvek materiálové či výrobné chyby, garantujeme v snahe o minimalizovanie Vašich starostí bezplatnú výmenu chybných dielov, opravu alebo výmenu celého výrobku za nižšie uvedeních podmienok:

- ◆ Výrobok nebol používaný na obchodné alebo profesionálne účely a nedochádzalo k jeho prenájmu.
- ◆ Výrobok nebol vystavený nesprávnemu použitiu a nebola zanedbaná jeho predpísaná údržba.
- ◆ Výrobok nebol poškodený cudzím zavinením.
- ◆ Opravy neboli vykonávané inými osobami, než autorizovanými opravármi alebo mechanikmi autorizovaného servisu Black & Decker.

Ak požadujete záručnú opravu, budete musieť predajcovi alebo zástupcovi autorizovaného servisu predložiť doklad o kúpe výrobku. Miesto najbližšieho autorizovaného servisu Black & Decker nájdete na príslušnej adrese uvedenej v tomto návode. Zoznam autorizovaných servisov Black & Decker a podrobnosti o popredajnom servise nájdete tiež na internetovej adrese: **www.2helpU.com**

Navštívte, prosím, našu internetovú stránku **www.blackanddecker.sk** aby ste mohli zaregistrovať Váš nový výrobok Black & Decker a kde budete informovaní o našich nových výrobkoch a špeciálnych ponukách. Na adrese **www.blackanddecker.sk** sú k dispozícii ďalšie informácie o značke Black & Decker a o celom rade našich ďalších výrobkov.

## Назначение

Ваша шлифмашина Black & Decker предназначена для выполнения работ по шлифованию деревянных, металлических, пластиковых и окрашенных поверхностей. Этот инструмент предназначен только для применения в домашних условиях.

## Инструкции по технике безопасности

### Общие правила безопасности при работе с электроинструментами



**Внимание!** Перед началом работы внимательно прочтите все правила безопасности и инструкции по эксплуатации. Несоблюдение приведенных ниже инструкций может привести к поражению электрическим током, возникновению пожара и/или получению серьезной травмы.

СОХРАНЯЙТЕ ВСЕ ИНСТРУКЦИИ И ПРАВИЛА БЕЗОПАСНОСТИ ДЛЯ ДАЛЬНЕЙШЕГО ПОЛЬЗОВАНИЯ. Термин “Электроинструмент” во всех приведенных ниже указаниях относится к Вашему сетевому (с кабелем) электроинструменту или аккумуляторному (беспроводному) электроинструменту.

### 1. Безопасность рабочего места

**а. Содержите рабочее место в чистоте и обеспечьте хорошее освещение.** Беспорядок на рабочем месте и плохая освещенность могут привести к несчастному случаю.

**б. Не используйте электроинструмент, если есть опасность возгорания или взрыва, например, вблизи легко воспламеняющихся жидкостей, газов или пыли.** В процессе работы электроинструмента появляются искры, которые могут воспламенить пыль или пары.

**в. Не подпускайте близко детей или посторонних лиц во время работы электроинструментом.** Вы можете отвлечься и потерять контроль над электроинструментом.

### 2. Электробезопасность

**а. Вилка кабеля электроинструмента должна подходить к сетевой розетке. Ни в коем случае не вносите изменения в конструкцию вилки электрокабеля. Не пользуйтесь**

**адаптерной вставкой для подключения заземленных электроинструментов.**

Немодифицированные вилки и подходящие к ним сетевые розетки снижают риск поражения электрическим током.

- б. Избегайте контактов частей тела с заземленными объектами, например, трубопроводами, радиаторами отопления, электроплитами и холодильниками.** Существует повышенный риск поражения электрическим током, если вы какой-либо частью тела касаетесь земли.
- в. Не подвергайте электроинструмент воздействию дождя или влаги.** Попадание жидкости внутрь электроинструмента повышает риск поражения электрическим током.
- г. Бережно обращайтесь с кабелем. Ни в коем случае не переносите электроинструмент, держа его за кабель, и не беритесь за кабель при отключении от сетевой розетки. Не подвергайте кабель воздействию влаги и масла и держите его подальше от острых кромок и движущихся деталей.** Повышают риск поражения электрическим током.
- д. При работе электроинструментом вне помещения пользуйтесь удлинительным кабелем, предназначенным для наружных работ.** Использование кабеля, предназначенного для работы вне помещения, снижает риск поражения электрическим током.
- е. При необходимости работы электроинструментом во влажном помещении используйте источник питания, оборудованный устройством защитного отключения (УЗО).** Использование УЗО снижает риск поражения электрическим током.
- 3. Индивидуальная безопасность**
- а. Будьте внимательны, следите за тем, что Вы делаете и руководствуйтесь здравым смыслом, когда Вы работаете электроинструментом. Не пользуйтесь электроинструментом, если Вы устали или находитесь под действием наркотиков, алкоголя или лекарств. Минутная невнимательность при работе электроинструментами может привести к серьезной травме.**

- б. Пользуйтесь средствами индивидуальной защиты. Всегда надевайте защитные очки.** Разумное использование таких средств индивидуальной защиты, как респиратор, ботинки на нескользящей подошве, защитный шлем и слухозащитные наушники, значительно снизит риск получения травмы.
- в. Не допускайте случайного запуска. Перед тем, как подключить электроинструмент к сети и/или аккумулятору, поднять или перенести его, убедитесь, что выключатель находится в положении “выключено”.** Не переносите электроинструмент с нажатой кнопкой выключателя, и не подключайте к сетевой розетке электроинструмент, выключатель которого установлен в положение “включено”. Это может привести к несчастному случаю.
- г. Перед включением электроинструмента снимите регулировочный или гаечный ключ.** Оставленный закрепленным на вращающейся части регулировочный или гаечный ключ может стать причиной тяжелой травмы.
- д. Не допускайте перенапряжения. Всегда твердо стойте на ногах, сохраняя равновесие.** Это поможет Вам не потерять контроль над электроинструментом в непредвиденной ситуации.
- е. Одевайтесь соответствующим образом. Не носите свободную одежду или украшения. Следите за тем, чтобы Ваши волосы, одежда или перчатки не попали в движущиеся части инструмента.** Свободная одежда, украшения или длинные волосы могут попасть в движущиеся части инструмента.
- ж. Если электроинструмент имеет устройства для подключения систем сбора и удаления пыли, убедитесь, что эти системы подключены и используются надлежащим образом.** Использование таких систем значительно снижает опасность, связанную с запыленностью рабочего пространства.
- 4. Использование и уход за электроинструментом**
- а. Не перегружайте электроинструмент. Используйте Ваш инструмент по назначению.** Электроинструмент работает надежно и безопасно только при соблюдении параметров, указанных в его технических характеристиках.
- б. Не используйте электроинструмент, если его выключатель не устанавливается в положение включения или выключения.** Электроинструмент с неисправным выключателем представляет опасность и подлежит ремонту.
- в. Отключайте электроинструмент от сетевой розетки и/или извлекайте аккумуляторную батарею перед регулированием, заменой принадлежностей или при хранении электроинструмента.** Такие меры предосторожности снижают риск случайного включения электроинструмента.
- г. Храните неиспользуемые электроинструменты в недоступном для детей месте и не позволяйте лицам, не знакомым с электроинструментом или данными инструкциями, работать электроинструментом.** Электроинструменты представляют опасность в руках неопытных пользователей.
- д. Проверяйте исправность электроинструмента. Проверяйте точность совмещения и легкость перемещения подвижных деталей, целостность деталей и любых других элементов электроинструмента, воздействующих на его работу. Направляйте поврежденные электроинструменты в ремонт.** Многие несчастные случаи являются следствием плохого ухода за электроинструментом.
- е. Следите за остротой заточки и чистотой режущих принадлежностей.** Принадлежности с острыми кромками позволяют избежать заклинивания и делают работу менее утомительной.
- ж. Используйте электроинструмент, принадлежности и насадки в соответствии с данным Руководством и с учетом рабочих условий и характера будущей работы.** Использование электроинструмента не по назначению может создать опасную ситуацию.
- 5. Техническое обслуживание**
- а. Ремонт Вашего электроинструмента должен производиться только**

квалифицированными специалистами с использованием оригинальных запасных частей. Это обеспечит безопасность Вашего электроинструмента в дальнейшей эксплуатации.

## Дополнительные меры безопасности при работе электроинструментами



**Внимание!** Дополнительные меры безопасности при работе шлифовальной машиной.

- **Держите инструмент за изолированные ручки, так как во время работы шлифовальная лента может коснуться кабеля электроинструмента.** Разрезание находящего под напряжением провода делает не покрытые изоляцией металлические части электроинструмента «живыми», что создает опасность поражения электрическим током.
- **Используйте тиски или другие приспособления для фиксации обрабатываемой детали, при этом кладите ее на неподвижную поверхность.** Если держать обрабатываемую деталь руками или с упором в собственное тело, то можно потерять контроль над инструментом или обрабатываемой деталью.
- **Внимание!** Не допускайте попадания пыли, образующейся в процессе шлифования, на кожу, слизистые оболочки и в органы дыхания. Это может представлять опасность для здоровья оператора и стоящих рядом лиц.
- Пользуйтесь специальным респиратором, предназначенным для защиты от пыли и паров; следите, чтобы люди, находящиеся в зоне работ, или входящие в нее, также надевали респиратор.
- Полностью удаляйте всю пыль, образовавшуюся в процессе шлифования.
- Проявляйте особую осторожность при работе с некоторыми материалами, такими как лакокрасочные покрытия на свинцовой основе, некоторые виды древесины и металла, пыль которых токсична.
- Не допускайте в зону проведения работ детей и беременных женщин.
- Не принимайте пищу, напитки и не курите в зоне работ.
- Правильно утилизируйте пылевые частицы и другие отходы.

**Назначение инструмента описывается в данном руководстве по эксплуатации.** Используйте все насадки и приспособления и работайте данным инструментом строго в соответствии с данным руководством. Использование не по назначению может привести к серьезной травме и повреждению инструмента или обрабатываемого изделия.

## Маркировка инструмента

На инструменте имеются следующие знаки:



**Внимание!** Внимательное ознакомление с руководством по эксплуатации поможет снизить риск получения травмы.

## Безопасность посторонних лиц

- Использование инструмента физически или умственно неполноценными людьми, а также детьми и неопытными лицами допускается только под контролем ответственного за их безопасность лица.
- Не позволяйте детям играть с электроинструментом.

## Вибрация

Значения уровня вибрации, указанные в технических характеристиках инструмента и декларации соответствия, были измерены в соответствии со стандартным методом определения вибрационного воздействия согласно EN 60745 и могут использоваться при сравнении характеристик различных инструментов. Приведенные значения уровня вибрации могут также использоваться для предварительной оценки величины вибрационного воздействия. **Внимание!** Значения вибрационного воздействия при работе электроинструментом зависят от вида работ, выполняемых данным инструментом, и могут отличаться от заявленных значений. Уровень вибрации может превышать заявленное значение. При оценке степени вибрационного воздействия для определения необходимых защитных мер (2002/44/ЕС) для людей, использующих в процессе работы электроинструменты, необходимо принимать во внимание действительные условия использования электроинструмента, учитывая все составляющие рабочего цикла, в том числе время, когда инструмент находится в выключенном состоянии, и время, когда он работает без нагрузки, а также время его запуска и отключения.

## Электробезопасность



Данный электроинструмент защищен двойной изоляцией, исключаящей потребность в заземляющем проводе. Всегда проверяйте, соответствует ли напряжение, указанное на табличке с техническими параметрами, напряжению источника питания.

- Во избежание опасности, замена поврежденного кабеля питания должна производиться только на заводе-изготовителе или в авторизованном сервисном центре Black & Decker.

## Использование удлинительного кабеля

- Разрешается использовать только удлинительный кабель утвержденного образца, характеристики которого соответствуют входной мощности вашего инструмента (см технические характеристики). Перед использованием проверьте кабель на наличие каких-либо повреждений, следов износа или старения. Поврежденный или бракованный кабель подлежит замене. Если у вас есть катушка кабеля, то перед использованием кабеля ее необходимо полностью размотать. Использование поврежденного, бракованного или не подходящего по мощности удлинительного кабеля может привести к поражению электрическим током и возникновению пожара

## Особенности

1. Кнопка Вкл/Выкл
2. Отверстие пылеотвода
3. Рычаг зажима бумаги
4. Шлифовальная подошва

## Сборка

**Внимание!** Перед сборкой убедитесь в том, что инструмент выключен и отсоединен от питания.

## Установка шлифовальной бумаги (Рис. А)

**Внимание!** Никогда не работайте инструментом, если шлифовальная бумага или какая-либо другая принадлежность не установлена.

## Установка обычной шлифовальной бумаги (Рис. А)

**Внимание!** Убедитесь в том, что инструмент выключен, а кабель питания отсоединен от сети.

- Сделайте шлифовальную бумагу менее жесткой, потерев ее неабразивной стороной о край верстака.
- Поднимите рычаги для зажима бумаги (3) вверх, так, чтобы они вышли из удерживающих канавок, и откройте зажимы для бумаги, опустив рычаги вниз.
- Поместите лист бумаги на шлифовальную подошву (4).
- Вставьте край листа шлифовальной бумаги в передний прижимной зажим (3), как показано на рисунке.
- Опустите рычаг переднего зажима (3) вниз и вставьте его в удерживающую канавку.
- Слегка натягивая бумагу, вставьте задний край листа в задний прижимной зажим (3).
- Опустите рычаг заднего зажима (3) вниз и вставьте его в удерживающую канавку.

## Подключение пылесоса (Рис. С)

- Вставьте переходник (5) в отверстие пылеотвода (2).
- Подсоедините к этому переходнику (5) трубу пылесоса (6).

## Остаточные риски

При работе с данным инструментом возможно возникновение дополнительных остаточных рисков, которые не вошли в описанные здесь правила техники безопасности. Эти риски могут возникнуть при неправильном или продолжительном использовании изделия и т.п. Несмотря на соблюдение соответствующих инструкций по технике безопасности и использование предохранительных устройств, некоторые остаточные риски невозможно полностью исключить. К ним относятся:

- Травмы в результате касания вращающихся/двигающихся частей инструмента.
- Риск получения травмы во время смены деталей электроинструмента, пильных дисков или насадок.
- Риск получения травмы, связанный с продолжительным использованием инструмента. При использовании инструмента в течение продолжительного периода времени делайте регулярные перерывы в работе.
- Ухудшение слуха.
- Ущерб здоровью в результате вдыхания пыли в процессе работы с

электроинструментом (например, при распиле древесины, в особенности, дуба, бука и ДВП).

## Эксплуатация

**Внимание!** Давайте инструменту работать с установленным темпом. Не перегружайте инструмент.

### Включение и выключение (Рис. В)

- Чтобы включить инструмент, нажмите кнопку вкл/выкл (1) со стороны, обозначенной символом 'I'.
- Чтобы выключить инструмент, нажмите кнопку вкл/выкл (1) со стороны, обозначенной символом 'O'.

### Советы по оптимальному использованию

- Старайтесь не закрывать вентиляционные отверстия руками.
- Всегда держите инструмент двумя руками (Рис. D).
- Не прилагайте слишком большие усилия к шлифовальной машине.
- Регулярно проверяйте состояние шлифовальной бумаги. Заменяйте ее по мере необходимости.
- При обработке древесины направление шлифования всегда должно совпадать с направлением волокон древесины (Рис. D).
- При шлифовании слоев краски, перед тем как нанести новый слой, всегда шлифуйте предыдущий слой краски бумагой с очень мелким зерном.
- Если поверхность для шлифования очень неровная, или вам необходимо удалить слой краски, используйте шлифовальную бумагу с крупным зерном. Шлифовать остальные поверхности начинайте с помощью шлифовальной бумаги со средним размером зерна. В обоих случаях постепенно переходите к шлифовальной бумаге с более мелким зерном, чтобы получить по окончании работы более гладкую поверхность.
- Обратитесь в ближайшую точку продажи нашего оборудования, чтобы получить более подробную информацию о предлагаемых нами аксессуарах.

### Техническое обслуживание

- Ваш электроинструмент Black & Decker рассчитан на работу в течение

продолжительного времени при минимальном техническом обслуживании. Срок службы и надежность инструмента увеличивается при правильном уходе и регулярной чистке.

- Перед проведением какой-либо операции технического обслуживания, выключайте инструмент и вытаскивайте его из розетки.
- Регулярно очищайте вентиляционные отверстия Вашего электроинструмента мягкой щеткой или сухой салфеткой.
- Регулярно очищайте корпус двигателя влажной салфеткой. Не пользуйтесь абразивными чистящими средствами или растворителями.

### Защита окружающей среды



Раздельный сбор. Данное изделие нельзя утилизировать вместе с обычными бытовыми отходами.

Если однажды Вы захотите заменить Ваш электроинструмент Black & Decker, или Вы больше в нем не нуждаетесь, подумайте о защите окружающей среды. Отнесите Ваш старый инструмент в сервисный центр Black & Decker, и мы позаботимся о том, чтобы он был утилизирован безопасным для окружающей среды способом.



Раздельный сбор изделий с истекшим сроком службы и их упаковок позволяет пускать их в переработку и повторно использовать. Использование переработанных материалов помогает защищать окружающую среду от загрязнения и снижает расход сырьевых материалов.

Местное законодательство может обеспечить сбор старых электроинструментов отдельно от бытового мусора на муниципальных свалках отходов, или Вы можете сдавать их в торговом предприятии при покупке нового изделия.

Фирма Black & Decker обеспечивает прием и переработку отслуживших свой срок изделий Black & Decker. Чтобы воспользоваться этой услугой, Вы можете сдать Ваше изделие в любой авторизованный сервисный центр, который собирает их по нашему поручению.



Вы можете узнать место нахождения Вашего ближайшего авторизованного сервисного центра, обратившись в Ваш местный офис Black & Decker по адресу, указанному в данном руководстве по эксплуатации. Кроме того, список авторизованных сервисных центров Black & Decker и полную информацию о нашем послепродажном обслуживании и контактах Вы можете найти в интернете по адресу: [www.2helpU.com](http://www.2helpU.com).

Нижеподписавшееся лицо полностью отвечает за соответствие технических данных и делает это заявление от имени фирмы Black & Decker.



Кевин Хьюитт (Kevin Hewitt)  
Вице-президент отдела мирового проектирования  
Black & Decker Europe,  
210 Bath Road, Slough,  
Berkshire, SL1 3YD

10-02-2010

### Технические характеристики

#### КА300 ТИП 1

Напряжение	В (перем. ток)	230
Полезная мощность	Вт	135
Частота колебаний (без нагрузки)	мин <sup>-1</sup>	22 000
Частота вращения (без нагрузки)	мин <sup>-1</sup>	11 000
Вес	кг	1,2

Уровень звукового давления в соответствии с EN 60745:

Звуковое давление (L<sub>pA</sub>) 78 дБ(А),  
погрешность (К) 3 дБ(А)

Акустическая мощность (L<sub>WA</sub>) 89 дБ(А),  
погрешность (К) 3 дБ(А)

Сумма величин вибрации (сумма векторов по трем осям), измеренных в соответствии со стандартом EN 60745:

Вибрационное воздействие (a<sub>n</sub>) 9,0 м/с<sup>2</sup>,  
погрешность (К) 2,7 м/с<sup>2</sup>

### Декларация соответствия ЕС

ДИРЕКТИВА ПО МЕХАНИЧЕСКОМУ  
ОБОРУДОВАНИЮ



КА300

Black & Decker заявляет, что продукты, обозначенные в разделе «Технические характеристики», полностью соответствуют стандартам: 2006/42/ЕС, EN60745-1, EN60745-2-4

За дополнительной информацией обращайтесь по указанному ниже адресу или по адресу, указанному на последней странице руководства.

## БЛЭК ЭНД ДЕККЕР

гарантийные условия

Уважаемый покупатель!

1. Поздравляем Вас с покупкой высококачественного изделия BLACK & DECKER и выражаем признательность за Ваш выбор.
  - 1.1. Надежная работа данного изделия в течение всего срока эксплуатации - предмет особой заботы наших сервисных служб. В случае возникновения каких-либо проблем в процессе эксплуатации изделия рекомендуем Вам обращаться только в авторизованные сервисные организации, адреса и телефоны которых Вы сможете найти в Гарантийном талоне или узнать в магазине. Наши сервисные станции - это не только квалифицированный ремонт, но и широкий выбор запчастей и принадлежностей.
  - 1.2. При покупке изделия требуйте проверки его комплектности и исправности в Вашем присутствии, инструкцию по эксплуатации и заполненный Гарантийный талон на русском языке. При отсутствии у Вас правильно заполненного Гарантийного талона мы будем вынуждены отклонить Ваши претензии по качеству данного изделия.
  - 1.3. Во избежание недоразумений убедительно просим Вас перед началом работы с изделием внимательно ознакомиться с инструкцией по его эксплуатации.
  - 1.4. Обращаем Ваше внимание на исключительно бытовое назначение данного изделия.
2. Правовой основой настоящих гарантийных условий является действующее Законодательство и, в частности, Закон "О защите прав потребителей".
3. Гарантийный срок на данное изделие составляет 24 месяца и исчисляется со дня продажи через розничную торговую сеть. В случае устранения недостатков изделия, гарантийный срок продлевается на период, в течение которого оно не использовалось.
4. Срок службы изделия - 5 лет (минимальный, установленный в соответствии с Законом "О защите прав потребителей").
5. Наши гарантийные обязательства распространяются только на неисправности, выявленные в течение гарантийного срока и обусловленные производственными и конструктивными факторами.
6. Гарантийные обязательства не распространяются:
  - 6.1. На неисправности изделия, возникшие в результате:
    - 6.1.1. Несоблюдения пользователем предписаний инструкции по эксплуатации изделия.
    - 6.1.2. Механического повреждения, вызванного внешним ударным или любым иным воздействием.

- 6.1.3. Использования изделия в профессиональных целях и объемах, в коммерческих целях.
- 6.1.4. Применения изделия не по назначению.
- 6.1.5. Стихийного бедствия.
- 6.1.6. Неблагоприятных атмосферных и иных внешних воздействий на изделие, таких как дождь, снег, повышенная влажность, нагрев, агрессивные среды, несоответствие параметров питающей электросети указанным на инструменте.
- 6.1.7. Использования принадлежностей, расходных материалов и запчастей, не рекомендованных или не одобренных производителем.
- 6.1.8. Проникновения внутрь изделия посторонних предметов, насекомых, материалов или веществ, не являющихся отходами, сопровождающими применение по назначению, такими как стружка опилки и пр. .
- 6.2. На инструменты, подвергавшиеся вскрытию, ремонту или модификации вне уполномоченной сервисной станции.
- 6.3. На принадлежности, запчасти, вышедшие из строя вследствие нормального износа, и расходные материалы, такие как приводные ремни, угольные щетки, аккумуляторные батареи, ножи, пилки, абразивы, пильные диски, сверла, буры и т. п. .
- 6.4. На неисправности, возникшие в результате перегрузки инструмента, повлекшей выход из строя электродвигателя или других узлов и деталей. К безусловным признакам перегрузки изделия относятся, помимо прочих: появление цветов побежалости, деформация или оплавление деталей и узлов изделия, потемнение или обугливание изоляции проводов электродвигателя под воздействием высокой температуры.



**ME 77**



**007**

Блэк энд Деккер Гмбх  
Блэк энд Деккер Штрассе, 40  
65510 Идштайн, Германия

## Область застосування

Ваша шліфувальна машина виробництва компанії Black & Decker розроблена для шліфування деревини, металу, пластику та фарбованих поверхонь. Цей інструмент призначений лише для побутового використання.

## Інструкції з техніки безпеки

Загальні правила безпеки для електричного інструменту



**Попередження! Перед використанням інструменту уважно прочитайте всі попередження та інструкції.**

Невиконання цих інструкцій може призвести до ураження електричним струмом, пожежі та/або серйозних травм.

**ЗБЕРІГАЙТЕ ЦЕ КЕРІВНИЦТВО ДЛЯ ОТРИМАННЯ ІНФОРМАЦІЇ В ПОДАЛЬШОМУ.**

Термін „електричний інструмент“ в усіх попередженнях, перерахованих нижче, стосується використовуваних Вами інструментів, що працюють від мережі енергоспоживання або акумуляторів.

### 1. Безпека на робочому місці


- a. **Тримайте робочу зону чистою та добре освітленою.** Неупорядковані та темні робочі зони збільшують ймовірність нещасного випадку.
- b. **Не використовуйте електричні інструменти у вибухонебезпечній атмосфері, наприклад, в присутності вогнєнебезпечних рідин, газів та пилу.** Електричні інструменти створюють іскри, що можуть запалити пил або випаровування.
- c. **Тримайте дітей та сторонніх подалі під час використання інструменту.** Відвернення уваги може призвести до втрати керування.

### 2. Електрична безпека

- a. **Вилка електричного інструменту має відповідати розетці. Ніколи ніяким чином не змінюйте розетку. Не використовуйте ніяких адаптерів до вилки з заземленими механізованими інструментами.** Не модифіковані вилки та розетки, що підходять до них, зменшують ризик ураження електричним струмом.
- b. **Уникайте контакту тіла з заземленими поверхнями, такими як труби, радіатори, плити та холодильники.** Якщо Ваше тіло заземлене, ризик ураження електричним струмом збільшується.
- c. **Не залишайте електричні інструменти під дощем або в умовах підвищеної вологості.**

Вода, що потрапляє в електричний інструмент, підвищує ризик ураження електричним струмом.

- d. **Не використовуйте шнур не за призначенням. Ніколи не використовуйте шнур для переносу, витягнення або відключення електричного інструменту.** Тримайте шнур подалі від високих температур, мастила, гострих предметів та рухомих деталей. Ушкоджений або заплутаний шнур підвищує ризик ураження електричним струмом.
  - e. **При використанні електричного інструменту на вулиці, використовуйте подовжуючий шнур, що підходить для використання на вулиці.** Використання шнура, що підходить для вулиці, знижує ризик ураження електричним струмом.
  - f. **Якщо неможливо уникнути використання електричного інструменту в умовах підвищеної вологості, використовуйте живлення, захищене пристроєм залишкового струму (RCD).** Використання RCD знижує ризик ураження електричним струмом.
- ### 3. Особиста безпека
- a. **Будьте в стані готовності, дивіться, що ви робите, та використовуйте загальний глузд, коли ви працюєте з електричним інструментом.** Не використовуйте електричний інструмент, коли ви втомлені або знаходитесь під впливом наркотичних речовин, алкоголю або ліків. Втрата уваги при роботі з електричними інструментами може призвести до серйозних травм.
  - b. **Використовуйте особисті засоби безпеки. Завжди використовуйте засоби захисту очей.** Засоби безпеки такі, як проти пиловий респіратор, неслизькі захисні чоботи, твердий капелюх та засоби захисту органів слуху, що використовуються у відповідних умовах, знижують ризик особистих травм.
  - c. **Уникнення випадкового запуску. Переконайтесь, що вимикач знаходиться в позиції Вкл. перед підключенням до джерела живлення та/або акумулятора, переміщенням або перенесенням пристрою.** Перенесення інструменту, тримаючи палець на вимикачі, або підключення живлення з перемикачем в позиції Вмик. може призвести до нещасного випадку.

- d. **Зніміть всі налаштувальні ключі або гайкові ключі перед тим, як вмикати електричний інструмент.** Гайковий ключ, що залишився прикріпленим до деталі електричного інструменту, що обертається, може призвести до травм.
  - e. **Не перенапружуйтеся. Завжди підтримуйте правильну постановку ніг та рівновагу.** Це дозволяє тримати електричний інструмент під кращим контролем в несподіваних ситуаціях.
  - f. **Вдягайтеся відповідним чином. Не вдягайте вільний одяг чи прикраси. Тримайте ваше волосся, одяг та рукавички подалі від рухомих деталей.** Вільний одяг, прикраси або довге волосся може зачепитися за рухомі деталі.
  - g. **Якщо передбачені пристрої для підключення до засобів виділення та збирання пилу, переконайтеся, що вони правильно підключені та використовуються.** Використання таких пристроїв зменшує ризик виникнення небезпечних ситуацій, що пов'язані з потраплянням пилу.
- 4. Використання та догляд за електричним інструментом**
- a. **Не використовуйте надмірні зусилля при роботі з інструментом. Використовуйте відповідний електричний інструмент для вашої задачі.** Правильно обраний інструмент виконає завдання краще та безпечніше за умов, для яких він був розроблений.
  - b. **Не використовуйте інструмент, вмикач якого не вмикає та не вимикає його.** Будь-який електричний інструмент, який не може управлятися вмикачем, є небезпечним і має бути відремонтований.
  - c. **Відключіть вилку від джерела живлення перед тим, як робити будь-які налаштування, зміну додаткового обладнання та перед зберіганням інструменту.** Ці профілактичні заходи зменшують ризик випадкового запуску електричного інструменту.
  - d. **Бережіть вимкнені електричні інструменти від дітей та не дозволяйте особам, що не знайомі з електричним інструментом або цими інструкціями використовувати електричний інструмент.** Електричні інструменти є небезпечними, якщо вони використовуються некваліфікованими користувачами.
  - e. **Технічне обслуговування електричних інструментів. Перевіряйте на відсутність пошкоджень або заїдання рухомих деталей, ушкоджених частин та інших умов, що можуть впливати на роботу електричного інструменту. Якщо є ушкодження, відремонтуйте інструмент перед використанням.** Багато нещасних випадків є результатом того, що інструмент не пройшов відповідного технічного обслуговування.
  - f. **Тримайте ріжучі інструменти гострими та чистими.** Правильно доглянуті ріжучі інструменти з гострими ріжучими кромками мають меншу ймовірність заїдання, та ними легше керувати.
  - g. **Використовуйте електричний інструмент, додаткові інструменти та деталі інструменту тощо у відповідності до цих інструкцій та відповідно до даного типу механізованих інструментів, зважаючи на умови використання та роботу, яка має бути виконана.** Використання електричних інструментів не за призначенням може призвести до виникнення небезпечних ситуацій.
- 5. Обслуговування**
- a. **Надавайте Ваш електричний інструмент для обслуговування кваліфікованим спеціалістом з ремонту та використовуйте тільки ідентичні замінні деталі.** Це забезпечить безпеку електричного пристрою, що обслуговується.
- Додаткові правила безпеки для електричного інструменту**
-  **Попередження!** Додаткові попередження з техніки безпеки для шліфувального інструменту.
- **Тримайте інструмент за ізольовану ручку, тому що інструмент може торкнутися власного кабелю.** При розрізанні дроту під напругою у відкритих металевих деталях інструменту може виникнути напруга, що призведе до ураження оператора електричним струмом.
  - **Використовуйте затискні пристрої та інші способи закріплення деталі на стабільній підставці.** Утримання деталі рукою або притиснення до тіла робить її нестійкою та може призвести до втрати

контролю.

- **Попередження!** Контакт або вдихання пилу, що з'являється при шліфуванні, може бути шкідливим для здоров'я оператора та людей, що знаходяться поблизу. Вдягайте проти пиловий респіратор, що розроблено для захисту від пилу та випаровувань та переконайтесь, що люди в робочій зоні або люди, що потрапляють в робочу зону добре захищені.
- Ретельно видаляйте весь пил після шліфування.
- Будьте особливо уважними при шліфуванні фарби на основі свинцю та при роботі з деякими породами деревини та деякими видами металу, що можуть утворювати токсичний пил:
- Не дозволяйте дітям та вагітним жінкам знаходитись в робочій зоні.
- В робочій зоні не можна їсти, пити та палити.
- Слідкуйте за безпечним знищенням пилу та інших відходів.

**Використання за призначенням описане в цьому керівництві.** Використання аксесуарів або приладдя, або виконання будь-яких дій з інструментом, що суперечать рекомендаціям цього керівництва, може призвести до ризику травмування людини та/або пошкодження майна.

### Написи на інструменті

На інструменті є наступні піктограми:



**Попередження!** Щоб зменшити ризик травм, користувач повинен прочитати керівництво з експлуатації.

### Безпека сторонніх людей

- Цей інструмент не призначений для використання людьми (включаючи дітей) з недостатніми фізичними, сенсорними або розумовими можливостями, або з недостатнім досвідом або знаннями, за винятком ситуацій, коли вони працюють під контролем або отримали відповідні інструкції щодо використання пристрою від відповідального за їх безпеку.
- Діти повинні знаходитись під контролем, щоб гарантувати, що вони не будуть грати з пристроєм.

### Вібрація

Значення вібрації, вказані в технічних даних та в декларації про відповідність виміряні з дотриманням стандартних методів тестування, наданих в EN

60745, та їх можна використовувати для порівняння одного інструменту з іншим. Задекларовані значення вібрації можна також використовувати для попередньої оцінки впливу вібрації.

**Попередження!** Значення вібрації під час використання інструменту може відрізнятись від задекларованого в залежності від способів використання інструменту. Рівень вібрації може перевищувати вказані значення.

При оцінці впливу вібрації для визначення заходів безпеки за вимогами 2002/44/ЕС, щоб захистити людей, що регулярно використовують інструменти в роботі, необхідно враховувати реальні умови та способи використання інструменту, включаючи врахування всіх періодів робочого циклу, наприклад, часу, коли інструмент вимкнено та коли він знаходиться в режимі очікування, а також часу реальної роботи інструменту.

### Електрична безпека



Цей інструмент має подвійну ізоляцію; тому заземлення не є необхідним. Завжди перевіряйте, що джерело живлення відповідає напрузі, що вказана на табличці з паспортними даним.

- Якщо шнур живлення пошкоджений, його необхідно замінити, звернувшись до виробника або до офіційного сервісного центру компанії Black & Decker, щоб уникнути можливого ризику.

### Використання подовжуючого шнура

- Завжди використовуйте відповідний подовжуючий кабель, що підходить для споживаної потужності цього інструменту (див. технічні дані). Перед використанням огляньте кабель на ознаки пошкодження, зносу та старіння. Замініть кабель, якщо він пошкоджений або має якісь дефекти. При використанні кабельного барабану завжди повністю змотуйте кабель. Використання подовжуючого кабелю, що не відповідає споживаній потужності інструменту або пошкоджений, може призвести до ураження електричним струмом.

### Деталі

1. Вимикач
2. Вихідний отвір пиловловлювання
3. Ручка пружинної скоби
4. Шліфувальна основа

## Зборка

**Попередження!** Перед зборкою переконайтеся, що інструмент вимкнено та вилка витягнута з розетки.

## Встановлення шліфувальних паперів (Мал. А)

**Попередження!** Ніколи не використовуйте інструмент без встановлених шліфувальних паперів та інших деталей.

## Встановлення звичайних шліфувальних паперів (Мал. А)

**Попередження!** Переконайтеся, що інструмент вимкнено і від'єднано від мережі живлення.

- Зробіть шліфувальний папір м'якше шляхом тертя нешліфуючою стороною по робочій поверхні.
- Натисніть знизу догори на ручки пружинної скоби (3), щоб звільнити їх з фіксуючих пазів, та відкрийте пружинні скоби (3), натиснувши на них донизу.
- Встановіть шліфувальний папір на шліфувальну основу (4).
- Вставте кінець шліфувального паперу в передню скобу (3), як показано.
- Натисніть на ручку передньої скоби (3) донизу та зафіксуйте її у фіксуючому пазу.
- Трохи натягуючи папір, вставте інший його кінець в задню скобу (3).
- Натисніть на ручку скоби (3) зверху донизу та закріпіть її в фіксуючому пазу.

## Приєднання пілососу до інструменту (Мал. С)

- Вставте адаптер (5) в отвір для пиловловлювання (2).
- Приєднайте шланг пілососа (6) до адаптера (5).

## Залишкові ризики

Додаткові залишкові ризики можуть виникнути при використанні інструменту, який не включено до наведених попереджень з техніки безпеки.

Ці ризики можуть виникнути через невірне використання, тривале використання, тощо.

Незважаючи на виконання всіх відповідних правил техніки безпеки та використання пристроїв безпеки, неможливо уникнути деяких залишкових ризиків. Сюди належать:

- Травми через контакт з деталями, що рухаються/обертаються.
- Травми при заміні деталей, пильних полотен або аксесуарів.
- Травми через занадто тривале використання інструменту. При використанні будь-якого

інструменту протягом тривалого періоду часу не забувайте робити регулярні перерви.

- Пошкодження слуху.
- Небезпека для здоров'я через вдихання пилу, що утворюється при використанні інструменту (наприклад, при роботі з деревом, особливо з дубом, березою та ДВП).

## Використання

**Попередження!** Інструмент повинен працювати з необхідною швидкістю. Не перевантажуйте його.

## Ввімкнення та вимкнення (Мал. В)

- Щоб увімкнути інструмент, натисніть на ту частину перемикача (1), що помічена ,I'.
- Щоб вимкнути інструмент, натисніть на ту частину перемикача (1), що помічена ,0'.

## Примітки для оптимального використання

- Не закривайте руками вентиляційні отвори.
- Завжди тримайте інструмент двома руками (Мал. D).
- Не використовуйте занадто сильний тиск при роботі з інструментом.
- Регулярно перевіряйте стан шліфувального паперу. Замінюйте його при необхідності.
- Завжди шліфуйте в напрямку текстури деревини (Мал. D).
- При шліфуванні нових шарів фарби перед нанесенням ще одного шару використовуйте дуже мілкий абразив.
- При шліфуванні дуже нерівних поверхонь та при видаленні шарів фарби починайте шліфування з дуже грубого абразиву. На інших поверхнях починайте з середнього абразиву. В обох випадках поступово переходьте на більш мілкий абразив для отримання рівної поверхні.
- Більш детальну інформацію щодо наявних витратних матеріалів можна отримати у центрі продажу.

## Технічне обслуговування

- Ваш інструмент виробництва компанії Black & Decker призначений для роботи протягом довгого часу з мінімальним обслуговуванням. Постійна задовільна робота залежить від правильного догляду за інструментом та регулярної очистки.
- Перед проведенням технічного обслуговування, вимкніть інструмент та від'єднайте його від розетки.

- Регулярно очищуйте вентиляційні отвори інструменту, використовуючи м'яку щітку чи суху ганчірку.
- Регулярно очищуйте корпус мотору за допомогою чистої вологої ганчірки. Не використовуйте абразивні миючі засоби та розчинники.

### Захист навколишнього середовища



Окреме збирання. Цей виріб не має викидатися на смітник із звичайним побутовим сміттям.

Якщо одного дня Ви вирішите, що пора замінити Ваш інструмент або що він Вам більше не потрібен, не забудьте про захист навколишнього середовища. Представник сервісної служби фірми Black & Decker прийме від Вас старі вироби та утилізує їх безпечним для навколишнього середовища способом.



Збір використаних продуктів та упаковки в окремі контейнери дозволяє переробляти матеріали та використовувати їх вдруге. Переробка повторно використуваних матеріалів допомагає попередити забруднення навколишнього середовища та зменшує потребу в сировині.

Місцеві законодавчі акти можуть передбачати окремий збір електричного обладнання в муніципальних місцях для збору сміття або продавцями при покупці нового обладнання.

Компанія Black & Decker має можливість для збору та переробки продуктів власного виробництва після закінчення їхнього терміну служби. Щоб скористатися цією послугою, поверніть виріб компанії в офіційний сервісний центр, які збирають відпрацьовані продукти за наш рахунок.

Ви можете знайти місцезнаходження найближчого до Вас сервісного центру, зв'язавшись з місцевим офісом компанії Black & Decker за адресою, вказаною в цих інструкціях. Крім того, список офіційних сервісних центрів компанії Black & Decker з усіма подробицями нашого післяпродажного обслуговування та контактною інформацією міститься в Інтернеті за адресою:

[www.2helpU.com](http://www.2helpU.com).

### Технічні дані

		КА300 ТИП 1
Напруга	$V_{AC}$	230
Вихідна потужність	Вт	135
Коливання (без навантаження)	кол/хв	22 000
Окружності (без навантаження)	ход/хв	11 000
Вага	кг	1,2

Рівень звукового тиску згідно з EN 60745:

Звуковий тиск ( $L_{pA}$ ) 78 дБ(A),  
похибка (K) 3 дБ(A)

Звукова потужність ( $L_{pA}$ ) 89 дБ(A),  
похибка (K) 3 дБ(A)

Загальні значення вібрації (векторна сума трьох векторів)

відповідно до EN 60745:

Значення вібрації (ah) 9,0 м/с<sup>2</sup>,  
похибка (K) 2,7 м/с<sup>2</sup>

### Заява про відповідність ЄС ДИРЕКТИВА ДЛЯ МЕХАНІЧНОГО ОБЛАДНАННЯ



КА300

Компанія Black & Decker заявляє, що продукти, описані в розділі "Технічні дані" відповідають: 2006/42/EC, EN60745-1, EN60745-2-4

Для отримання додаткової інформації, будь ласка, зверніться до компанії Black & Decker за наступною адресою або прочитайте інформацію на зворотній стороні цього керівництва.

Нижчепідписаний несе відповідальність за упорядкування файлу технічних характеристик та робить цю заяву від компанії Black & Decker.

Кевін Хьюїт (Kevin Hewitt)  
Віце-президент  
з глобальних розробок  
Black & Decker Europe,  
210 Bath Road, Slough,  
Berkshire, SL1 3YD  
Великобританія  
10-02-2010

## БЛЕК ЕНД ДЕККЕР

гарантійні умови

Шановний покупець!

1. Вітаємо Вас з покупкою високоякісного виробу компанії Black & Decker та виражаємо Вам свою вдячність за Ваш вибір.
  - 1.1. Надійна робота цього виробу на протязі всього терміну експлуатації є предметом особливої турботи наших сервісних служб. У випадку виникнення якихось проблем в процесі експлуатації виробу ми рекомендуємо Вам звертатися лише в авторизовані сервісні організації, адреси та телефони яких Ви зможете знайти в Гарантійному талоні або дізнатися в магазині. Наші сервісні центри – це не тільки кваліфікований ремонт, але і широкий вибір запчастин та аксесуарів.
  - 1.2. При покупці виробу вимагайте перевірки його комплектності та справності за Вашої присутності, наявності інструкції з експлуатації та заповненого Гарантійного талону на українській мові. За умови відсутності у Вас правильно заповненого Гарантійного талону ми будемо вимушені відхилити Ваші претензії щодо якості цього виробу.
  - 1.3. Щоб уникнути всіх непорозумінь щиро просимо Вас перед початком роботи з виробом уважно ознайомитись з інструкцією щодо його експлуатації.
  - 1.4. Звертаємо Вашу увагу на виключно побутове призначення цього виробу.
2. Правовою основою даних гарантійних умов є діюче Законодавство та, зокрема, Закон "Про захист прав споживачів".
3. Гарантійний термін на даний виріб складає 24 місяці та починається з дня продажу через роздрібну торгову мережу. У випадку усунення недоліків виробу гарантійний термін продовжується на період, протягом якого виріб не використовувався.
4. Термін служби виробу - 5 років (мінімальний, встановлений у відповідності до Закону "Про захист прав споживачів").
5. Наші гарантійні зобов'язання поширюються тільки на несправності, виявлені протягом гарантійного терміну та обумовлені виробничими та конструктивними факторами.
6. Гарантійні зобов'язання не поширюються:
  - 6.1. На несправності виробу, що виникли в результаті:
    - 6.1.1. Недотримання користувачем вказівок інструкції з експлуатації виробу.
    - 6.1.2. Механічних пошкоджень, викликаних зовнішнім ударним або іншим впливом.
    - 6.1.3. Використання виробу в професійних цілях та об'ємах, в комерційних цілях.
    - 6.1.4. Застосування виробу не за призначенням.
    - 6.1.5. Стихійного лиха.
    - 6.1.6. Несприятливому атмосферному та інших зовнішніх впливах на виріб, таких як дощ, сніг, підвищена вологість, нагрів, агресивні середовища, невідповідність параметрів електромережі параметрам, вказаним на інструменті.
    - 6.1.7. Використання аксесуарів, витратних матеріалів та запчастин, які не рекомендовані або не схвалені виробником.
    - 6.1.8. Проникнення всередину інструменту сторонніх предметів, комах, матеріалів або речовин, що не є відходами, які супроводжують використання інструменту за призначенням, наприклад, стружки, опили та ін.
  - 6.2. На інструменти, що були відкриті, піддані ремонту або модифікації поза уповноваженим сервісним центром.
  - 6.3. На приналежності, запчастини, що вийшли з ладу внаслідок нормального зносу, та витратні матеріали, такі як, приводні ремені, вугільні щітки, ножі, та ін.
  - 6.4. На несправності, які виникли в результаті перевантаження інструменту, що призвело до виходу з ладу електродвигуна або інших вузлів та деталей. До безумовних ознак перевантаження виробу належать, зокрема: поява кольорів мінливості, деформація або оплавлення деталей та вузлів виробу, потемніння або обвуглювання ізоляції дротів електродвигуна під впливом високої температури.

**03 червня 1999 р.**



## Kullanım amacı

Black & Decker zımpara makineniz ahşap, metal, plastik ve boyalı yüzeylerin zımparalanması için tasarlanmıştır. Bu alet sadece hafif hizmet ve hobi kullanımına yöneliktir.

## Güvenlik talimatları

### Genel elektrikli alet güvenlik talimatları



**Uyarı! Bütün güvenlik uyarılarını ve talimatlarını mutlaka okuyun.** Bu talimatların herhangi birisine uyulmaması elektrik çarpması, yangın ve/veya ciddi yaralanma riskine neden olabilir.

**BÜTÜN UYARI VE GÜVENLİK TALİMATLARINI İLERİDE BAKMAK ÜZERE MUHAFAZA EDİN.**

Aşağıda yer alan uyarılardaki “elektrikli alet” terimi şebeke elektriğiyle (kablolu) veya akü/pille (şarjlı) çalışan elektrikli aletinizi ifade etmektedir.

### 1. Çalışma alanının güvenliği

- Çalışma alanını temiz ve aydınlık tutun.** Karışık ve karanlık alanlar kazaya davetiye çıkartır.
- Elektrikli aletleri, yanıcı sıvılar, gazlar ve tozların bulunduğu yerler gibi yanıcı ortamlarda çalıştırmayın.** Elektrikli aletler, toz veya dumanları ateşleyebilecek kıvılcımlar çıkartır.
- Bir elektrikli aleti çalıştırırken çocuklardan ve etraftaki kişilerden uzak tutun.** Dikkatinizi dağıtıcı şeyler kontrolü kaybetmenize neden olabilir.

### 2. Elektrik güvenliği

- Elektrikli aletlerin fişleri prizlere uygun olmalıdır. Fiş üzerinde kesinlikle hiçbir değişiklik yapmayın. Topraklı elektrikli aletlerde hiçbir adaptör fişi kullanmayın.** Değiştirilmemiş fişler ve uygun prizler elektrik çarpması riskini azaltacaktır.
- Borular, radyatörler, ocaklar ve buzdolapları gibi topraklanmamış yüzeylerle vücut temasından kaçının.** Vücudunuzun topraklanması halinde yüksek bir elektrik çarpması riski vardır.
- Elektrikli aletleri yağmura maruz bırakmayın veya ıslatmayın.** Elektrikli alete su girmesi elektrik çarpması riskini arttıracaktır.
- Elektrik kablosunu uygun olmayan amaçlarla kullanmayın. Elektrikli aleti kesinlikle kablosundan tutarak taşımayın, çekmeyin veya prizden çıkartmayın.**

**Kabloyu sıcaktan, yağdan, keskin kenarlardan veya hareketli parçalardan uzak tutun.** Hasarlı veya dolaşmış kablolar elektrik çarpması riskini arttırır.

- Elektrikli bir aleti açık havada çalıştırıyorsanız, açık havada kullanıma uygun bir uzatma kablosu kullanın.** Açık havada kullanıma uygun bir kablonun kullanılması elektrik çarpması riskini azaltır.
  - Eğer bir elektrikli aletin ıslak bir bölgede çalıştırılması zorunluysa, bir artık akım aygıtı (RCD) korumalı bir kaynak kullanın.** Bir RCD kullanılması elektrik şoku riskini azaltır.
- ### 3. Kişisel güvenlik
- Elektrikli bir aleti kullanırken her zaman dikkatli olun, yaptığınız işe konsantre olun ve sağduyulu davranın. Elektrikli bir aleti yorgunken veya ilaç ya da alkolün etkisi altındayken kullanmayın.** Elektrikli aletleri kullanırken bir anlık dikkatsizlik ciddi kişisel yaralanmayla sonuçlanabilir.
  - Kişisel koruyucu ekipmanları mutlaka kullanın. Daima koruyucu gözlük takın.** Koşullara uygun toz maskesi, kaymayan güvenlik ayakkabıları, baret veya kulaklık gibi koruyucu donanımların kullanılması kişisel yaralanmaları azaltacaktır.
  - İstem dışı çalıştırılmasını önleyin. Cihazı güç kaynağına ve/veya akü takımına bağlamadan, yerden kaldırmadan veya taşımadan önce düğmenin kapalı konumda olduğundan emin olun.** Aleti, parmağınız tetik üzerinde bulunacak şekilde taşımak veya açık durumdaki elektrikli aletleri elektrik şebekesine bağlamak kazaya davetiye çıkartır.
  - Elektrikli aleti açmadan önce tüm ayarlama anahtarlarını çıkartın.** Elektrikli aletin hareketli bir parçasına takılı kalmış bir anahtar kişisel yaralanmaya neden olabilir.
  - Ulaşmakta zorlandığınız yerlerde kullanmayın. Daima sağlam ve dengeli basın.** Bu, beklenmedik durumlarda elektrikli aletin daha iyi kontrol edilmesine olanak tanır.
  - Uygun şekilde giyinin. Bol elbiseler giymeyin ve takı takmayın. Saçınızı, elbiselerinizi ve eldivenlerinizi hareketli parçalardan uzak tutun.** Bol elbiseler ve takılar veya uzun saç hareketli parçalara takılabilir.

- g. Eğer toz ayırma ve toplama sistemlerinin bağlanması için aygıtlar sağlanmışsa bunların bağlı olduğundan ve doğru şekilde kullanıldığından emin olun. Bu ataşmanların kullanılması tozla ilgili tehlikeleri azaltabilir.
4. Elektrikli aletlerin kullanımı ve bakımı
- a. Elektrikli aleti zorlamayın. Uygulamanız için doğru elektrikli aleti kullanın. Doğru elektrikli alet çalışması öngörülen elektrik değerlerinde daha iyi ve daha güvenli çalışacaktır.
- b. Düşme açmıyor ve kapatmıyorsa elektrikli aleti kullanmayın. Düşmeyle kontrol edilemeyen tüm elektrikli aletler tehlikelidir ve tamir edilmesi gerekmektedir.
- c. Herhangi bir ayarlama, aksesuar değişimi veya elektrikli aletlerin saklanması öncesinde fişi güç kaynağından çekin ve/veya akü takımını elektrikli aletten ayırın. Bu tür önleyici güvenlik tedbirleri elektrikli aletin istem dışı olarak çalıştırılması riskini azaltacaktır.
- d. Elektrikli aleti, çocukların ulaşamayacağı yerlerde saklayın ve elektrikli aleti tanımayan veya bu talimatları bilmeyen kişilerin elektrikli aleti kullanmasına izin vermeyin. Elektrikli aletler, eğitimsiz kullanıcıların elinde tehlikelidir.
- e. Elektrikli aletleri iyi durumda muhafaza edin. Hareketli parçalardaki hizalama hatalarını ve tutuklukları, parçalardaki kırılmalar ve elektrikli aletin çalışmasını etkileyebilecek tüm diğer koşulları kontrol edin. Hasarlı ise, elektrikli aleti kullanmadan önce tamir ettirin. Kazaların çoğu, elektrikli aletlerin bakımının yeterli şekilde yapılmamasından kaynaklanır.
- f. Kesim aletlerini keskin ve temiz tutun. Bakımı uygun şekilde yapılmış keskin kesim uçlu kesim aletlerinin sıkışma ihtimali daha düşüktür ve kontrol edilmesi daha kolaydır.
- g. Elektrikli aleti, aksesuarlarını ve aletin diğer parçalarını kullanırken bu talimatlara mutlaka uyun ve çalışma ortamının koşullarını ve yapılacak işin ne olduğunu göz önünde bulundurun. Elektrikli aletin öngörülen işlemler dışındaki işlemler için kullanılması tehlikeli durumlara neden olabilir.
5. Servis
- a. Elektrikli aletinizin bakımını, sadece aynı yedek parçaları kullanan yetkili

bir tamir servisine yaptırın. Bu, elektrikli aletin güvenliğinin muhafaza edilmesini sağlayacaktır.

#### Elektrikli aletler için ek güvenlik talimatları



**Uyarı!** Taşlama makineleri için ilave güvenlik uyarıları.

- **Kayış kendi kablosuna temas edebileceği için elektrikli aleti yalıtımlı kavrama yüzeylerinden tutun.** «Akım taşıyan» bir teli kesmesi metal kısımları «akım taşıyıcı» hale götürür ve operatörün çarpılmasına yol açacaktır.
- **Üzerinde çalıştığınız parçayı sabitlemek ve desteklemek için kelepçeler veya başka pratik yöntemler kullanın.** Parçayı elle veya vücudunuza dayamanız dengesiz durmasına neden olacaktır ve aletin kontrolünü kaybetmenize yol açabilir.
- **Uyarı!** Zımparalama uygulamaları nedeniyle açığa çıkan tozla temas operatörün ve çevrede bulunanların sağlığını tehlikeye atabilir. Toz ve dumanlara karşı korunma için özel olarak tasarlanmış bir toz maskesi kullanın ve çalışma alanına giren veya bu alanda bulunan kişilerin de korunduğundan emin olun.
- Zımparalama işleminin ardından tüm tozu güzelce temizleyin.
- Kurşun bazlı olma ihtimali olan boyaları ve zehirli toz üretebilecek ahşap ve metalleri zımparalarken özel bir dikkat gösterin:
- Çocukların veya gebe kadınların çalışma alanına girmesine izin vermeyin.
- Çalışma alanında bir şey yemeyin, herhangi bir içecek veya sigara içmeyin.
- Toz partiküllerini ve diğer moloz kalıntılarını güvenli bir şekilde atın.

#### Kullanım amacı, kullanım kılavuzunda

**tanımlanmıştır.** Herhangi bir aksesuarın veya bağlantının ya da işlemin, bu kılavuzda tavsiye edilen şekilden başka bir şekilde kullanılması şahısların yaralanmalarına ve/veya mal kaybına yol açabilir.

#### Alet üzerindeki etiketler

Alet üzerinde aşağıdaki resimler bulunmaktadır:



**Uyarı!** Yaralanma riskini en aza indirmek için kullanıcı kullanım talimatlarını mutlaka okumalıdır.

### Diğer kişilerin güvenliği

- Bu alet fiziksel ve zihinsel kapasitesinin yanı sıra algılama gücü azalmış olan veya yeterince deneyim ve bilgisi bulunmayan kişiler (çocuklar dahil) tarafından kullanılmak üzere üretilmemiştir. Bu tür kişiler aleti ancak güvenliklerinden sorumlu bir kişi tarafından cihazın kullanımıyla ilgili talimatların verilmesi veya sürekli kontrol altında tutulması durumunda kullanabilir.
- Çocuklar, aletle oynamalarını önlemek amacıyla kontrol altında tutulmalıdır.

### Titreşim

Teknik veriler ve uygunluk beyanati içerisinde belirtilen titreşim emisyon değerleri EN60745 tarafından belirlenen standart bir test yöntemine uygun olarak ölçülmektedir ve diğer bir aletle karşılaştırma yaparken kullanılabilir. Beyan edilen titreşim emisyon değeri aynı zamanda maruz kalmanın önceden değerlendirilmesinde de kullanılabilir.

**Uyarı!** Elektrikli aletin mevcut kullanımı sırasındaki titreşim emisyon değeri, aletin kullanım yöntemine bağlı olarak, beyan edilen değere göre farklılık sergileyebilir. Titreşim düzeyi belirlenen seviyenin üzerinde artış gösterebilir. İşyerinde düzenli olarak elektrikli alet kullanan çalışanları korumak amacıyla 2002/44/EC tarafından getirilen elektrik güvenliği önlemlerini belirlemek üzere titreşime maruz kalmayı değerlendirirken, çalışma döngüsü içerisinde örneğin aletin kapalı olduğu ve aktif durumda olmasının yanı sıra boşta çalıştığı zamanlar gibi, bütün zaman dilimleri dahil olmak üzere mevcut kullanım durumu ve aletin kullanım şekli göz önünde bulundurularak değerlendirilmelidir.

### Elektrik güvenliği



Bu alet çift yalıtımlıdır bu yüzden hiç bir topraklama kablosuna gerek yoktur. Her zaman şebeke geriliminin aletin üretim etiketinde belirlenmiş değerlere uyup uymadığını kontrol edin.

- Elektrik kablosu hasarlı ise, bir tehlike oluşmasını önlemek için üretici ya da yetkili Black & Decker Servis Merkezi tarafından değiştirilmelidir.

### Ara kablo kullanımı

- Daima bu aletin elektrik girişine uygun (teknik verilere bakın), onaylı bir uzatma kablosu kullanın. Kullanmadan önce, uzatma kablosunda hasar, aşınma veya eskime olup olmadığını kontrol edin. Hasarlı veya kusurlu ise, uzatma kablosunu değiştirin. Bir kablo makarası kullanırken, kabloyu daima sonuna kadar açın. Aletin elektrik girişine uygun olmayan veya hasarlı ya da kusurlu olan bir uzatma kablosunun kullanılması yangın ve elektrik çarpması riskine yol açabilir.

### ÖZELLİKLER

1. Açma/kapama düğmesi
2. Toz atma çıkışı
3. Zımpara kağıdı takma mandalı
4. Zımpara tabanı

### Montaj

**Uyarı!** Montajdan önce aletin kapalı ve fişinin çekilmiş olduğundan emin olun.

### Zımpara kağıtlarının takılması (Şekil A)

**Uyarı!** Aleti, zımpara kağıdı veya aksesuar takılı olmadan kesinlikle kullanmayın.

### Normal zımpara kağıtlarının takılması (Şekil A)

**Uyarı!** Aletin kapalı ve fişinin çekilmiş olduğundan emin olun.

- Aşındırıcı olmayan tarafını tezgahın kenarına sürterek zımpara kağıdını yumuşatın.
- Kağıt takma mandallarını (3) yukarıya doğru bastırarak tespit oluklarından kurtulmalarını sağlayın ve ardından mandalları (3) aşağıya doğru bastırarak açın.
- Zımpara kağıdını zımpara tabanı (4) üzerine yerleştirin.
- Zımpara kağıdının ucunu gösterildiği gibi ön kağıt takma mandalının (3) içine yerleştirin.
- Ön kağıt takma mandalını (3) aşağıya doğru bastırın ve tespit oluşunun yerleştirin.
- Kağıdı hafifçe gererek arka ucunu arka kağıt takma mandalının (3) içine yerleştirin.
- Arka kağıt takma kolunu (3) aşağıya doğru bastırın ve tespit oluşu içine yerleştirin.

### Bir elektrik süpürgesinin bağlanması (Şekil C)

- Adaptörü (5) toz atma çıkışına (2) takın.
- Elektrikli süpürge hortumunu (6) adaptöre (5) bağlayın.

### Diğer tehlikeler

Aletin kullanımıyla ilgili ekte sunulan güvenlik uyarılarına dahil olmayan ilave kalıcı riskler ortaya

çıkabilir. Bu riskler, hatalı, uzun süreli kullanım vb. dolayısıyla ortaya çıkabilir.

Emniyet tedbirlerini düzenleyen yönetmeliğin uygulanmasına ve emniyet sağlayıcı aygıtların kullanılmasına rağmen, başka belirli risklerden kaçınılamaz. Bunlar:

- Aletin dönen ve hareket eden parçalarına dokunma sonucu ortaya çıkan yaralanmalar.
- Herhangi bir parçayı, bıçak veya aksesuarı değiştirirken ortaya çıkan yaralanmalar.
- Aletin uzun süreli kullanılması sonucu ortaya çıkan yaralanmalar. Herhangi bir aleti uzun sürelerle kullanırsanız düzenli olarak çalışmanıza ara verin.
- Duyma bozukluğu.
- Aleti kullanırken ortaya çıkan tozun solunması sonucu ortaya çıkan sağlık sorunları (örnek: ahşapta çalışırken, özellikle meşe, akgürgen ve MDF).

## Kullanımı

**Uyarı!** Aletin kendi hızında çalışmasına izin verin. Aşırı yüklenmeyin.

### Açılması ve kapatılması (Şekil B)

- Aleti açmak için, açma/kapama düğmesinin (1) 'I' işaretli kısmına basın.
- Aleti kapatmak için, açma/kapama düğmesinin (1) '0' işaretli kısmına basın.

### Yararlı tavsiyeler

- Ellerinizi havalandırma deliklerinin üzerine koymayın.
- Aleti daima iki elinizle tutun (Şekil D).
- Alete çok fazla baskı uygulamayın.
- Zımpara kağıdının durumunu düzenli olarak kontrol edin. Gerekliğinde değiştirin.
- Her zaman ahşabı damar yönünde zımparalayın (Şekil D).
- Yeni boya katlarını başka bir kat vurmadan önce zımparalarken hassas zımpara kağıdı kullanın.
- Çok bozuk yüzeylerde veya boya katlarını kazırken kaba zımpara kağıdıyla başlayın. Diğer yüzeylerde orta kabalıkta kağıtla başlayın. Her iki durumda da, pürüzsüz bir yüzey için dereceli olarak hassas zımpara kağıdına geçin.
- Mevcut aksesuarlarla ilgili daha ayrıntılı bilgi için satış noktalarına danışın.

## Bakım

- Black & Decker aletiniz minimum bakımla uzun bir süre çalışacak şekilde tasarlanmıştır. Kesintisiz olarak memnuniyet verici bir şekilde çalışması gerekli özenin gösterilmesine ve düzenli temizliğe bağlıdır.
- Herhangi bir bakım işlemini gerçekleştirmeden önce aleti kapatıp fişini çekin.
- Aletinizdeki havalandırma deliklerini yumuşak kuru bir fırça veya kuru bir bezle düzenli olarak temizleyin.
- Motor muhafazasını temiz ve nemli bir bezle düzenli olarak temizleyin. Aşındırıcı veya çözücü bazlı temizlik maddeleri kullanmayın.

## Çevrenin korunması



Ayrı olarak atın. Bu ürün, normal evsel atıklarla birlikte atılmamalıdır.

Aletinizin değiştirilmesi gerektiğini veya artık sizin için faydalı olmadığını düşündüğünüzde çevreyi korumayı aklınızdan çıkarmayın. Black & Decker yetkili servisleri eski Black & Decker aletlerini teslim alacak ve çevreye herhangi bir zarar vermeyecek şekilde yok edeceklerdir.



Kullanılmış ürünlerin ve ambalajların ayrı olarak toplanması bu maddelerin geri dönüşüme sokularak yeniden kullanılmasına olanak tanır. Geri dönüşümlü maddelerin tekrar kullanılması çevre kirliliğinin önlenmesine yardımcı olur ve ham madde ihtiyacını azaltır.

Yerel yönetmelikler, elektrikli ürünlerin evlerden toplanıp belediye atık tesislerine aktarılması veya yeni bir ürün satın alırken perakende satıcı tarafından toplanması yönünde hükümler içerebilir.

Black & Decker, hizmet ömrünün sonuna ulaşan Black & Decker ürünlerinin toplanması ve geri dönüşüme sokulması için bir imkan sunmaktadır. Bu hizmetin avantajlarından faydalanmak için, lütfen, ürününüzü bizim adımıza teslim alacak herhangi bir yetkili servise iade edin.

Bu kılavuzda belirtilmiş olan listeden size en yakın yetkili tamir servisimizin yerini öğrenebilirsiniz. Alternatif olarak, yetkili Black & Decker servislerinin listesi, satış sonrası hizmetlerimizle ilgili tüm bilgiler ve temas bilgilerine Internet üzerinden erişebilirsiniz: [www.2helpU.com](http://www.2helpU.com).

**Teknik veriler**

KA300 TYPE 1		
Voltaj	$V_{AC}$	230
Güç çıkışı	$W$	135
Yörüngen hızı	$dak^{-1}$	22 000
Yüksüz hızı	$dak^{-1}$	11 000
Ağırlık	$kg$	1,2

EN 60745'e göre ses basıncı düzeyi:

Ses basıncı (LpA) 78 dB(A), belirsizlik (K) 3 dB(A)  
Akustik güç (LWA) 89 dB(A), belirsizlik (K) 3 dB(A)

EN 60745'e göre tespit edilen toplam titreşim değerleri (üç yönün vektör toplamı):  
Titreşim emisyon değeri (ah) 9.0 m/s<sup>2</sup>,  
belirsizlik (K) 2.7 m/s<sup>2</sup>

**AT Uygunluk Beyanati**

MAKİNE DİREKTİFİ



Black & Decker, «teknik özellikleri» bölümünde açıklanan bu ürünlerin aşağıda belirtilen yönergelere uygun olduğunu beyan eder:  
2006/42/EC, EN60745-1, EN60745-2-4

Daha fazla bilgi için, lütfen aşağıdaki adresten Black & Decker ile irtibata geçin veya kılavuzun arkasına bakın.

Bu belge altında imzası bulunan yetkili, teknik dosyanın derlenmesinden sorumludur ve bu beyanı Black & Decker adına vermiştir.

Kevin Hewitt  
Başkan Yardımcısı, Global Mühendislik  
Black & Decker Europe,  
210 Bath Road, Slough,  
Berkshire, SL1 3YD  
10-02-2010

**Garanti**

Black & Decker, ürünün kalitesinden emindir ve bu yüzden kanunlarda belirtilen taleplerin üstünde bir garanti verir. Ayrıca bu garanti hiçbir şekilde garanti ile ilgili kanuni haklarınızı ihlal etmez ve haklarınızı hiçbir şekilde kısıtlamaz. Tüm AB ve Avrupa Serbest Ticaret Bölgesi EFTA'nın üye ülkelerinde geçerlidir.

Eğer bir Black & Decker ürünü, satın alma tarihinden

itibaren 24 ay içinde hatalı malzeme ve işçilik nedeniyle bozulursa, müşteriye mümkün olabilecek en az sorunu yaşatarak Black & Decker hatalı kısımları değiştirmeyi, tamir etmeyi veya hasarlı aletleri değiştirmeyi kabul eder; ancak bu belirtilenler şu durumlar dışında geçerlidir:

- Ürün ticari veya profesyonel amaçlarla kullanılmışsa veya kiraya verilmişse;
- Ürün yanlış veya amaç dışı kullanılmışsa;
- Ürün yabancı nesnelere, maddelere veya kaza sırasında zarar görmüşse;
- Yetkili tamir servisleri veya Black & Decker servis ekibinden başkası tarafından tamir edilmeye çalışılmışsa.

Garanti talebinde bulunmak için, satıcıya veya yetkili tamir servisine satın aldığınıza dair ispat sunmalısınız. Fatura ve garanti kartı gerekmektedir. Bu kullanım kılavuzunda belirtilen listeden size en yakın yetkili servis adresini öğrenebilirsiniz. Ya da, İnternet'ten Black & Decker yetkili tamir servislerinin listesini ve satış sonrası hizmet veren yetkililerin tam detaylarını öğrenebilirsiniz. Bu site: [www.2helpU.com](http://www.2helpU.com)

Sanayi ve Ticaret Bakanlığı tebliğince kullanım ömrü 10 yıldır.

**Türkiye Distribütörü**

KALE HIRDAVAT VE MAKİNA A.Ş.  
Defterdar Mah.Savaklar Cad. No. 15 34050  
Edirnekapı Eyüp İstanbul

No.	İl	Yetkili Servis	Adres	Telefon
1	Adana	<b>Emin Elektrik</b>	Kızılay Cad. 6.Sok. No.9/D	0322 351 80 46
2	Amasya	<b>Teknik Bobinaj</b>	Beyazıt Paşa Mah. Mehmet Vorinli Cad. No.20/B	0358 218 26 82
3	Ankara	<b>Orhan Bobinaj</b>	Yalınç Sok. No.17 Siteler	0312 350 95 29
4	Ankara	<b>Yiğit Bobinaj</b>	Merkez 668.Sok. Eminel Yapı Koop. No.8 İvedik Ostim	0312 395 05 37
5	Antalya	<b>E.B.A. Elektrik</b>	Sanayi Sitesi 682.Sok. No.38	0242 345 36 22
6	Antalya - Alanya	<b>Abaloğlu Bobinaj</b>	Sanayi Sitesi Yeni Yol Girişi No.8	0242 512 02 16
7	Aydın	<b>Taciroğlu Bobinaj</b>	2.Sanayi Sitesi 3.Sok. No.55	0256 219 43 30
8	Aydın - Kuşadası	<b>Özgür Bobinaj</b>	Kuşadası Sanayi Sitesi J.Blok No.13	0256 622 13 73
9	Balıkesir	<b>Tezger Bobinaj</b>	Küçük Sanayi Bölgesi Dökmeciler Sok. No.15	0266 241 63 85
10	Balıkesir - Bandırma	<b>Küre Bobinaj</b>	Atatürk Cad. No.104 Bandırma	0266 718 46 79
11	Balıkesir - Edremit	<b>Özkan Bobinaj</b>	Cennet Ayağı Mah. Demirbaş Sitesi A4-B1. No.2/B	0266 374 20 29
12	Bursa	<b>Vokart</b>	Gazlılar Cad. Erikli Bahçe Sok. No.6/B	0224 254 48 75
13	Çanakkale	<b>Kısacık Bobinaj</b>	Namık Kemal Mah. Kaynak Sok. No.41	0286 217 96 71
14	Çorum	<b>Emek Bobinaj</b>	Küçük Sanayi Sitesi 23.Cad. No.5/C Cami yanı	0364 234 68 84
15	Denizli	<b>Örsler Bobinaj</b>	Bakırlı Mah. 171.Sok. Sedef Çarşısı No.9-10	0258 261 42 74
16	Diyarbakır	<b>Çetsan Elektrik</b>	İnönü Cad. Ziya Gökalp Sok. No.45	0412 237 29 04
17	Düzce	<b>Yıldız Makine</b>	Burhaniye Mah. Gen. Kazım Sok. No.10	0380 514 70 56
18	Edirne	<b>Efe Bobinaj</b>	Sanayi Sitesi 22.Blok No.5	0284 225 35 73
19	Erzincan	<b>Ümit Elektrik Makine</b>	Sanayi Çarşısı 767.Sok. No.71	0446 224 08 01
20	Eskişehir	<b>Meriç Bobinaj</b>	Akçağlan Mah. Meriç Sok. No.4/A	0222 230 94 44
21	Gaziantep	<b>Karashaşin Bobinaj</b>	Şenyurt Cad. No.35 Şahinbey	0342 231 17 33
22	Isparta	<b>Işık Bobinaj</b>	Piri Mehmet Mah. 107.Cad. No.5	0246 223 20 28
23	İçel - Mersin	<b>Şekerler Elektrik Bobinaj</b>	Nusratiye Mah. 5005.Sok. No.20/A	0324 336 70 98
24	İçel - Mersin	<b>Üniversal Bobinaj</b>	Nusratiye Mah. Çiftçiler Cad. 68.Sok. No.19	0324 233 44 29
25	İstanbul	<b>AKEL Elektrik Servis Hiz.</b>	Yukarı Dudullu Nato Yolu Cad. No.109B Ümraniye	0216 540 53 54
26	İstanbul	<b>Fırat Dış Ticaret</b>	Tersane Cad. Kut Han No.38 K.3 D.307-308 Karaköy	0212 252 93 43
27	İstanbul	<b>Birlik Elektromekanik</b>	Perpa Tic. Merkezi B.Blok Mavi Avlu Kat.4 No.318 Okmeydanı	0212 222 94 18
28	İstanbul	<b>Kardeşler Bobinaj</b>	Çağlayan Mah. Sinanpaşa Cad. No.5 Çağlayan	0212 224 97 54
29	İstanbul	<b>Mert Elektrik Ltd.</b>	İkitelli Org. Sanayi Demirciler Sitesi D2.Blok No.280 İkitelli	0212 549 65 78
30	İstanbul	<b>SVS Teknik</b>	İstasyon Cad. GİBTAŞ Sanayi Sitesi No.24 Kat 2 İçmeler Tuzla	0216 446 69 39
31	İstanbul	<b>Tarık Makina Ltd.</b>	Bağdat Cad. Adalı Sok. No.101/10 Maltepe	0216 370 21 11
32	İstanbul	<b>Tekniker Bobinaj</b>	Birlik Sanayi Sitesi 7.Cad. No.2 Beylikdüzü	0212 875 19 31
33	İzmir	<b>Birlik Bobinaj</b>	2824 Sok. No.18 Halkapınar 1.Sanayi Sitesi	0232 458 39 42
34	İzmir	<b>Boro Cıvata</b>	1203/2.Sok. No.B2 Gıda Çarşısı Yenişehir	0232 469 80 70
35	İzmir	<b>Doruk Hırdavat</b>	1426.Sok. No.14 Hurdacılar Sitesi Doğanlar Bornova	0232 478 14 12
36	Kayseri	<b>Akın Elektrik</b>	Eski Sanayi Bölgesi 5.Cad. No.8	0352 336 41 23
37	Kocaeli - Gebze	<b>Gülsoy Elektrik</b>	Menzilhane Cad. 1111.Sok. No.7	0262 646 92 49
38	Kocaeli - İzmit	<b>Efe Elektrik Bobinaj</b>	Körfez Küçük Sanayi Sitesi 12.Blok No.13	0262 335 18 94
39	Konya	<b>Murat Bobinaj</b>	Karatay Sanayi Çiçekli Sok. No.83	0332 235 64 63
40	Konya	<b>Sözenler Bobinaj</b>	Fevzi Çakmak Mah. Komsan İş Mer. 10562 Sok. No.62	0332 342 63 18
41	Kütahya	<b>Doğan Bobinaj</b>	Yeni Sanayi Sitesi 19.Sok. No.28/1	0274 231 22 00
42	Malatya	<b>Özer Bobinaj</b>	Yeni Sanayi Sitesi 2.Cad. No.95	0422 336 39 53
43	Muğla - Bodrum	<b>Bodrum Makine</b>	Türkkuyusu Mah. Etem Demiröz Sok. Sanayi Sitesi 12	0252 316 28 51
44	Muğla - Marmaris	<b>Başaran Teknik</b>	Beldibi Cad. No.5/C	0252 412 85 11
45	Nevşehir	<b>Çiftgüç Elektrik</b>	Yeni Sanayi Sitesi 8.Blok No.53	0384 213 19 96
46	Sakarya - Adapazarı	<b>Engin El. Bobinaj</b>	Papuççular Mah. Papuççular Cad. No.40	0264 273 87 69
47	Samsun	<b>Akış Bobinaj</b>	Sanayi Sitesi Ulus Cad. No.31B	0362 238 07 23
48	Sivas	<b>Bayraktar Elektrik</b>	Yeni Çarşı No.72C	0346 221 47 55
49	Tekirdağ - Çorlu	<b>Ümit Elektrik</b>	Camiatik Mah. Ereğli Sok. No.1	0282 653 27 77
50	Tokat	<b>Çetin Elektrik</b>	Sanayi Sitesi No.22 Cami Altı	0356 214 63 07
51	Trabzon	<b>Makina Market</b>	Rize Cad. No.71 Değirmendere	0462 328 14 80
52	Uşak	<b>Zengin Bobinaj</b>	İslicce Mah. Ürem Sok. No.10/C	0276 227 27 46
53	Yalova	<b>Kale İnşaat</b>	Merkez Mah. Devlet Yolu Cad. No.70 Paytazdere Yalova	0226 461 22 42
54	Zonguldak - KDZ Ereğli	<b>Tümen Bobinaj</b>	Kışla Sanayi Sitesi D.Blok No.17	0372 323 74 97

