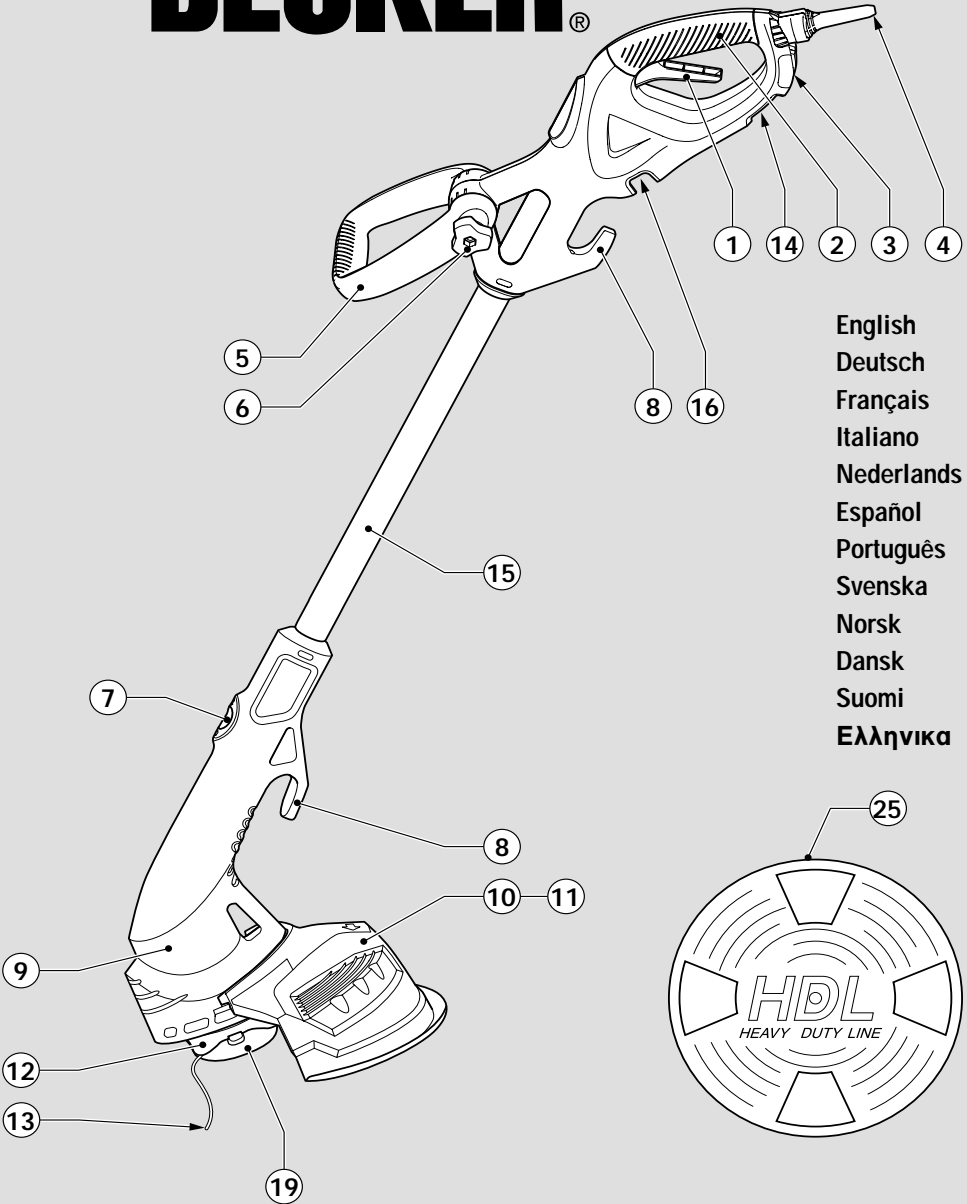
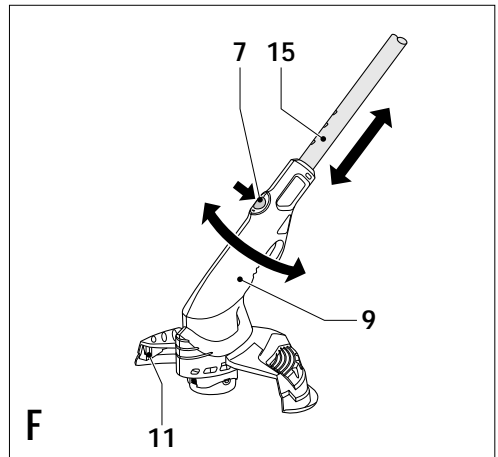
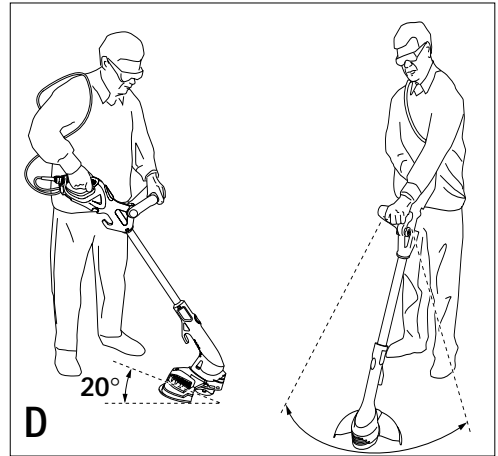
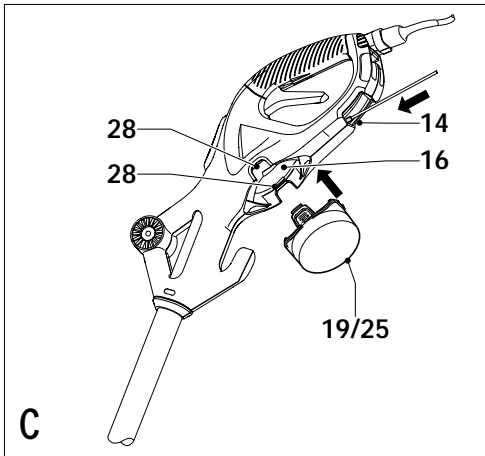
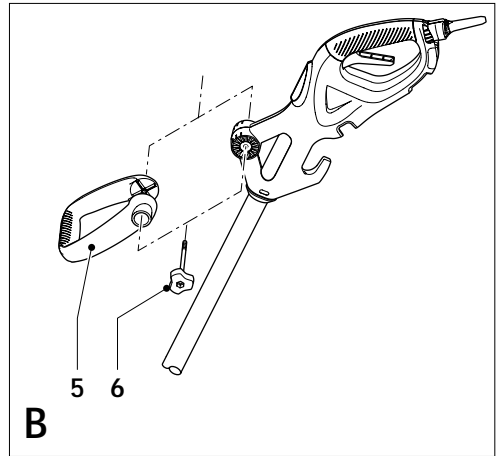
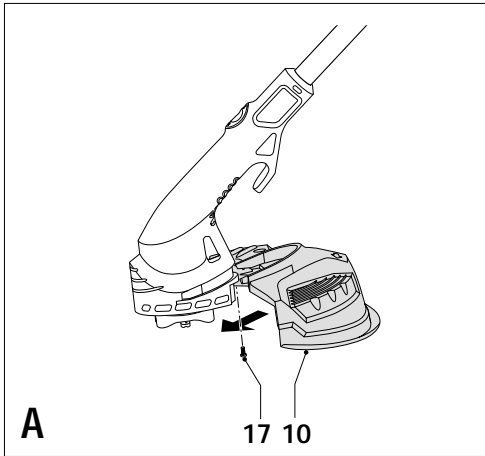


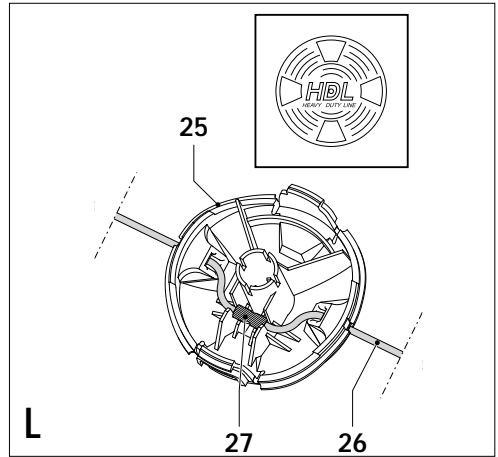
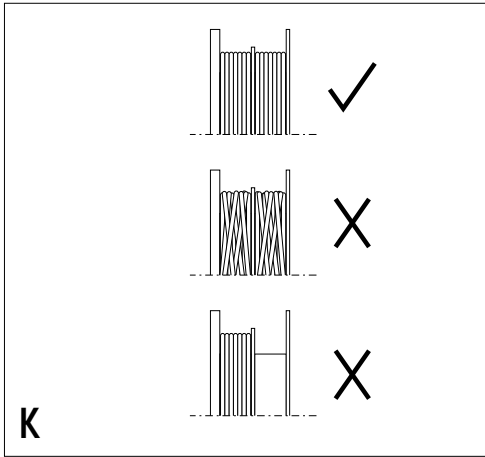
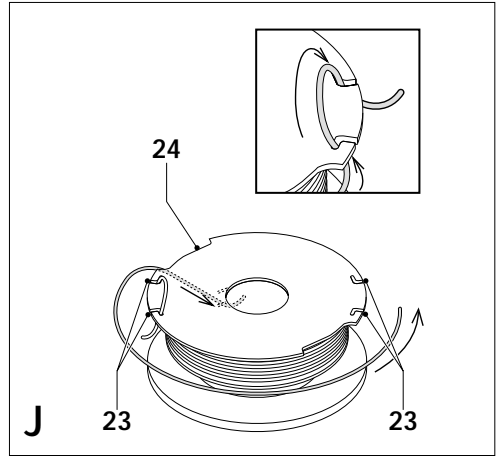
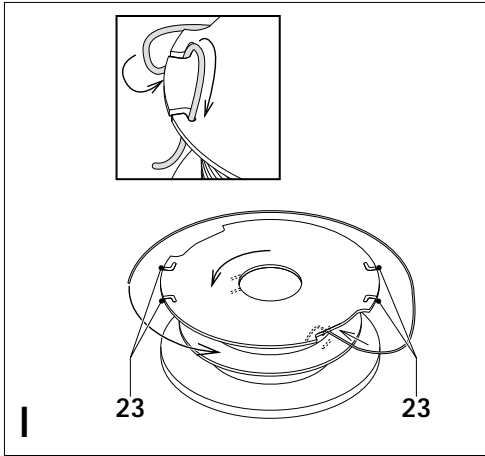
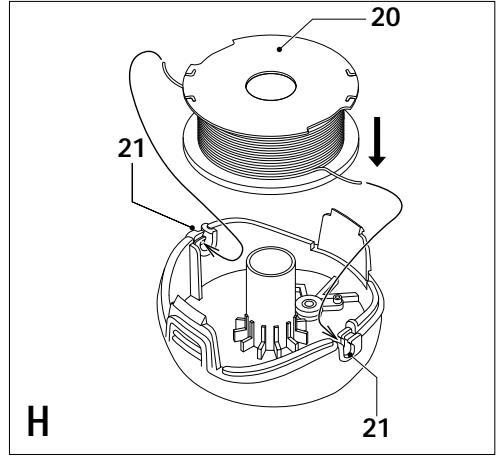
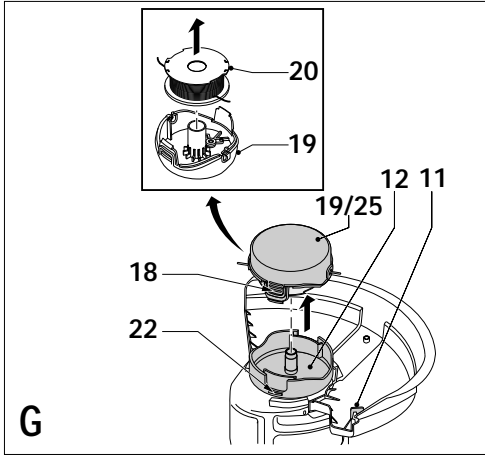


# BLACK & DECKER®



English	4
Deutsch	9
Français	15
Italiano	21
Nederlands	26
Español	31
Português	37
Svenska	42
Norsk	47
Dansk	52
Suomi	57
Ελληνικά	62





## Intended use

Your Black & Decker strimmer GL680/GL690 has been designed for trimming and finishing lawn edges and to cut grass in confined spaces. This tool is intended for consumer use only.

## Safety instructions

- ◆ **Warning!** When using mains-powered appliances, basic safety precautions, including the following, should always be followed to reduce the risk of fire, electric shock and personal injury.
- ◆ Read all of this manual carefully before operating the appliance.
- ◆ Before operating the appliance, make sure that you know how to switch it off in an emergency.
- ◆ The intended use is described in this manual. The use of any accessory or attachment or performance of any operation with this appliance other than those recommended in this instruction manual may present a risk of personal injury.
- ◆ Retain this manual for future reference.

## Work area

- ◆ Do not expose the appliance to rain. Do not use the appliance in damp or wet conditions.
- ◆ Only use the appliance in daylight or good artificial light.

## Personal protection

- ◆ Wear stout shoes or boots to protect your feet. Do not operate the appliance wearing open-toed sandals or when barefoot.
- ◆ Wear long trousers to protect your legs.

## Using your appliance

- ◆ Be sure that the appliance is switched off when plugging in.
- ◆ Stay alert. Watch what you are doing. Use common sense.
- ◆ Do not operate the appliance when you are tired.
- ◆ If the appliance begins to vibrate abnormally, switch it off and remove the plug from the socket. Allow rotating parts to stop and inspect the appliance for damage and loose parts.
- ◆ Never pull the cord to disconnect the plug from the socket. Keep the cord away from heat, oil and sharp edges.
- ◆ If the mains cable is damaged during use, switch the appliance off and disconnect the plug from the mains immediately. Do not touch the mains cable before disconnecting from the mains.

## Safety of others

- ◆ Do not allow children or any person unfamiliar with these instructions to operate the appliance.

- ◆ Do not allow children, visitors or animals to come near the work area or to touch the appliance or mains cable.
- ◆ Remember that the operator may be held responsible for accidents or hazards occurring to other people or their property.

## After use

- ◆ Switch off, remove the plug from the socket and ensure that moving parts have stopped rotating before leaving the appliance unattended and before changing, cleaning or inspecting any parts of the appliance.
- ◆ When not in use, the appliance should be stored in a dry place. Children should not have access to stored appliances.

## Inspection and repairs

- ◆ Before use, check the appliance for damaged or defective parts. Check for misalignment and seizure of moving parts, breakage of parts, damage to guards and switches and any other conditions that may affect its operation.
- ◆ Do not use the appliance if any part is damaged or defective. Do not use the appliance if the switch does not turn it on and off.
- ◆ Never use the appliance when any guard or enclosure is damaged or not in place.
- ◆ Ensure that the appliance will operate properly and perform its intended function.
- ◆ Have any damaged or defective parts repaired or replaced by an authorised repair agent.
- ◆ Before use, check the mains cable for signs of damage, ageing and wear.
- ◆ Do not use the appliance if the mains cable is damaged or defective.
- ◆ If the mains cable is damaged or defective it must be repaired by an authorised repair agent to avoid a hazard.
- ◆ Never attempt to remove or replace any parts other than those specified in this manual.

## Electrical safety



This tool is double insulated; therefore no earth wire is required. Always check that the power supply corresponds to the voltage on the rating plate.

### Additional safety instructions for grass trimmers

The following warning symbols are found on the appliance:



Read the manual prior to operation.



Wear safety glasses or goggles when operating this tool.



Keep people and animals at least 6 m away from the cutting area.



Do not expose the appliance to rain or high humidity.



Do not use heavy duty line in edging mode.

- ◆ Before using the appliance, check that your cutting path is free from sticks, stones, wire and any other objects.
- ◆ Only use the appliance in the correct position, with the cutting line near the ground, as shown in the illustrations. Never switch the appliance on in any other position.
- ◆ Switch on the appliance only when hands and feet are away from the cutting line.
- ◆ Avoid body contact with the cutting line while the appliance is running.
- ◆ Do not work on steep slopes. Be sure of your footing. Be aware that freshly cut grass is damp and slippery.
- ◆ Take care when trimming near borders and gravel paths or roads, as stones and soil may be moved by the cutting line.
- ◆ Do not put the appliance down until the cutting line has come to a complete standstill.
- ◆ Use only the appropriate type of Black & Decker cutting line. Never use metal cutting line or fishing line.
- ◆ After extending new cutting line, always return the appliance to its normal operating position before switching on.
- ◆ Take care to keep the mains cable away from the cutting line. Always be aware of the position of the cable.

### Features

This tool includes some or all of the following features.

1. Trigger lever (on/off switch)
2. Handle
3. Cable restraint
4. Power inlet
5. Secondary handle
6. Handle knob
7. Adjustment button
8. Cable storage hooks
9. Motor housing
10. Guard

11. Line trimming blade (see fig. F)
12. Spool housing
13. Cutting line
14. Line storage pouch
15. Tube
16. Spool storing position

### Assembly

**Warning!** Before assembly, make sure that the tool is switched off and unplugged.

#### Fitting the guard (fig. A)

- ◆ Remove the screw (17) from the guard (10).
- ◆ Place the guard onto the tool as shown.
- ◆ Firmly press the guard until it snaps into place.
- ◆ Secure the guard with the screw.

**Warning!** Never use the tool unless the guard is properly fitted.

#### Fitting the secondary handle (fig. B)

- ◆ Place the handle (5) on the tool as shown.
- ◆ Adjust the handle to the most comfortable position. Use the markings as a guide.
- ◆ Pass the bolt (6) through the secondary handle and the main handle.
- ◆ Screw the bolt into the far side of the secondary handle. Do not overtighten the bolt.

#### Storing the spool not in use (fig. C)

The tool has two cutting systems:

- ◆ **Reflex plus:** Twin line autofeed for light trimming and edging.
- ◆ **HDL:** Heavy Duty Line cutting system for more overgrown areas.

The cutting system not in use can be stored in the position provided (16).

- ◆ Align the tabs on the cutting head with the cut outs (28) at the underside of the handle.
- ◆ Push the cutting head into the handle until it snaps securely into place.

#### Storing the heavy cutting line (fig. C)

- ◆ The unit is supplied with several pieces of spare heavy cutting line.
- ◆ The extra pieces of heavy cutting line can be stored securely in the recess in the handle (14).

#### Releasing the cutting line

In transit, the cutting line is taped to the spool housing.

- ◆ Remove the tape holding the cutting line (13) to the spool housing (12).

## Fitting the heavy duty cutting line (fig. G & L)

Your trimmer will reach you with the Reflex plus spool installed. To fit the HDL Heavy Duty Line cutting system, proceed as follows:

- ◆ Unplug the tool.
- ◆ Keep the tabs (18) depressed and remove the spool cover (19) from the housing (12) (fig. G).
- ◆ Make sure a piece of heavy cutting line is correctly fitted to the heavy cutting head, as described in "Maintenance - Fitting a new piece of heavy duty cutting line" (see fig. L).
- ◆ Align the tabs on the heavy cutting head with the cut outs (22) in the housing (fig. G).
- ◆ Push the heavy cutting head onto the housing until it snaps securely into place.

## Connecting the tool to the mains

- ◆ Connect the female plug of a suitable extension cable to the power inlet (4).
- ◆ Loop the cable through the cable restraint (3).
- ◆ Insert the mains plug into a mains outlet.  
For wired in cable units: Make sure the cable is looped through the cable restraint prior to connecting the plug to the mains outlet.

**Warning!** The extension cable must be suitable for outdoor use.

## Use

**Warning!** Let the tool work at its own pace. Do not overload.

## Setting the tool to trimming or edging mode (fig. D, E & F)

The tool can be used in trimming mode as shown in fig. D or in edging mode to trim overhanging grass along lawn edges and flower beds as shown in fig. E.

**Warning!** Do not use the heavy duty cutting system for edging.

### Trimming mode (fig. D & F)

For trimming, the trimmer head should be in the position shown in fig. D. If it is not:

- ◆ Depress the adjustment button (7).
- ◆ Rotate the head (9), while releasing the button.
- ◆ When the head is in position, the button will lock into place.

Note: The head will only rotate in one direction.

### Edging mode (fig. E & F)

For edging, the trimmer head should be in the position shown in fig. E. If it is not:

- ◆ Depress the adjustment button (7).
- ◆ Rotate the head (9), while releasing the button.
- ◆ When the head is in position, the button will lock into place.

Note: The head will only rotate in one direction.

**Warning!** Do not use the heavy duty cutting system for edging.

## Adjusting the height of the tool (fig. F)

This tool has a telescopic mechanism, allowing you to set it to a comfortable height. There are three height settings.

To adjust the height setting, proceed as follows:

- ◆ Depress the adjustment button (7).
- ◆ Gently pull the tube (15) in or out of the motor housing (9) to the desired height, while releasing the button.
- ◆ When the tube is in position, the button will lock into place.

## Switching on and off

- ◆ To switch the tool on, squeeze the trigger lever (1).
- ◆ To switch the tool off, release the trigger lever.

**Warning!** Never attempt to lock the trigger lever in the on position.

## Hints for optimum use

### General

- ◆ In order to achieve optimum cutting results, only cut dry grass.

### Trimming

- ◆ Hold the tool as shown in fig. D.
- ◆ Gently swing the trimmer from side to side.
- ◆ When cutting long grass, work in stages from the top. Take small cuts.
- ◆ Keep the tool away from hard objects and delicate plants.
- ◆ If the tool starts running slowly, reduce the load.

### Edging

Optimum cutting results are achieved on edges deeper than 50 mm.

- ◆ Do not use the tool to create edges. To create edges, use an edging spade.
- ◆ Guide the tool as shown in fig. E.
- ◆ To make a closer cut, slightly tilt the tool.

## Maintenance

Your tool has been designed to operate over a long period of time with a minimum of maintenance. Continuous satisfactory operation depends upon proper tool care and regular cleaning.

**Warning!** Before performing any maintenance, switch off and unplug the tool.

- ◆ Regularly clean the ventilation slots in your tool using a soft brush or dry cloth.
- ◆ Regularly clean the cutting line and spool using a soft brush or dry cloth.
- ◆ Regularly use a blunt scraper to remove grass and dirt from the underneath of the guard.

## Fitting a new spool of cutting line (fig. G & H)

Replacement spools of cutting line are available from your Black & Decker dealer (cat. no. A6441).

Complete cassettes containing a spool of cutting line are also available (cat. no. 6488).

- ◆ Unplug the tool.
- ◆ Keep the tabs (18) depressed and remove the spool cover (19) from the housing (12) (fig. G).
- ◆ Remove the empty spool (20) from the spool cover.
- ◆ Remove any dirt and grass from the spool cover and housing.
- ◆ Take the new spool and push it onto the boss in the spool cover. Rotate the spool slightly until it is seated.
- ◆ Unclip the end of one of the cutting lines and guide the line into one of the eyelets (21) (fig. H). The line should protrude approx. 11 cm from the spool cover.
- ◆ Unclip the end of the other cutting line and guide the line into the other eyelet. The line should protrude approx. 11 cm from the spool cover.
- ◆ Align the tabs (18) on the spool cover with the cut outs (22) in the housing (fig. G).
- ◆ Push the cover onto the housing until it snaps securely into place.

**Warning!** If the cutting lines protrude beyond the trimming blade (11), cut them off so that they just reach the blade.

#### Winding new line onto an empty spool (fig. I, J & K)

You may wind new cutting line onto an empty spool.

Replacement packs of cutting line are available from your Black & Decker dealer (cat. no. A6440).

- ◆ Remove the empty spool from the tool as described above.
- ◆ Remove any remaining cutting line from the spool.
- ◆ First wind new line onto the uppermost part of the spool:
  - Feed 2 cm of cutting line into one of the slots in the upper section of the spool as shown.
  - Wind the cutting line onto the spool in the direction of the arrow. Make sure to wind the line on neatly and in layers. Do not criss-cross.
  - When the wound cutting line reaches the recesses (24), cut the line.
  - Temporarily park the line in the slots (23) on one side of the spool as shown.
- ◆ Repeat the above procedure for the second cutting line on the lower section of the spool. Park the line in the unused slots (23).
- ◆ Proceed as described above to fit the spool on the tool. Do not forget to release the cutting line from the parking slots (23).

**Warning!** Only use the appropriate type of Black & Decker cutting line. Ensure that cutting line is present in both sections of the spool (fig. K).

#### Fitting a new piece of heavy duty cutting line (fig. G & L)

Replacement pieces of heavy duty cutting line are available from your Black & Decker dealer (cat. no. A6487). To fit a new piece of cutting line, proceed as follows:

- ◆ Unplug the tool.
- ◆ Keep the tabs (18) depressed and remove the heavy cutting head (25) from the housing (12) (fig. G).
- ◆ Remove the used piece of line from the heavy cutting head.
- ◆ Thread a new piece of line (26) through the holes in the heavy cutting head.
- ◆ Put the central ferrule (27) in the indicated position.
- ◆ Align the tabs on the heavy cutting head with the holes (22) in the housing (fig. G).
- ◆ Push the heavy cutting head onto the housing until it snaps securely into place.

#### Troubleshooting

If your tool seems not to operate properly, follow the instructions below. If this does not solve the problem, please contact your local Black & Decker repair agent.

**Warning!** Before proceeding, switch off and unplug the tool.

#### Tool runs slowly

- ◆ Check that the spool housing can rotate freely. Carefully clean it if necessary.
- ◆ Check that the cutting line does not protrude more than 11 cm from the spool housing. If it does, cut it off so that it just reaches the line trimming blade.

#### Automatic line feed does not work

- ◆ Keep the tabs depressed and remove the spool cover from the housing.
- ◆ Pull the cutting line until it protrudes 11 cm from the housing. If insufficient cutting line is left on the spool, install a new spool of cutting line as instructed above.
- ◆ Align the tabs on the spool cover with the cut outs in the housing.
- ◆ Push the cover onto the housing until it snaps securely into place.
- ◆ If the cutting line protrudes beyond the trimming blade, cut it off so that it just reaches the blade.

If the automatic line feed still does not work or the spool is jammed, try the following suggestions:

- ◆ Carefully clean the spool cover and housing.
- ◆ Remove the spool and check if the lever can move freely.
- ◆ Remove the spool and unwind the cutting line, then wind it on neatly again as described above. Replace the spool as instructed.

## Protecting the environment



Black & Decker provides a facility for recycling Black & Decker products once they have reached the end of their working life. This service is provided free of charge. To take advantage of this service please return your product to any authorised repair agent who will collect them on our behalf.

You can check the location of your nearest authorised repair agent by contacting your local Black & Decker office at the address indicated in this manual. Alternatively, a list of authorised Black & Decker repair agents and full details of our after-sales service and contacts are available on the Internet at: [www.2helpU.com](http://www.2helpU.com).

### Technical data

		GL680	GL690
Power input	W	500	630
No load speed	min <sup>-1</sup>	8500/10000	8700/10300
Weight	kg	2.6	2.9

## EC declaration of conformity

### GL680/GL690

Black & Decker declares that these products conform to: 98/37/EC, 89/336/EEC, 73/23/EEC, EN 60335, EN 55014, EN 61000, 2000/14/EC, Lawn trimmer, L < 50 cm  
Annex VIII, No. 0086  
B.S.I., HP2 4SQ, United Kingdom

Level of sound pressure, measured according to 2000/14/EC:  
L<sub>pA</sub> (sound pressure): 82 dB(A), L<sub>WA</sub> (acoustic power) 95 dB(A),  
L<sub>WA</sub> (guaranteed) 96 dB(A)

Hand/arm weighted vibration, measured according to EN 786:  
< 2.5 m/s<sup>2</sup>

Kevin Hewitt  
Director of Consumer Engineering  
Spennymoor, County Durham DL16 6JG,  
United Kingdom  
01-10-2002

## Guarantee

Black & Decker is confident of the quality of its products and offers an outstanding guarantee. This guarantee statement is in addition to and in no way prejudices your statutory rights. The guarantee is valid within the territories of the Member States of the European Union and the European Free Trade Area.

If a Black & Decker product becomes defective due to faulty materials, workmanship or lack of conformity, within 24 months from the date of purchase, Black & Decker guarantees to replace defective parts, repair products subjected to fair wear and tear or replace such products to ensure minimum inconvenience to the customer unless:

- ◆ The product has been used for trade, professional or hire purposes;
- ◆ The product has been subjected to misuse or neglect;
- ◆ The product has sustained damage through foreign objects, substances or accidents;
- ◆ Repairs have been attempted by persons other than authorised repair agents or Black & Decker service staff.

To claim on the guarantee, you will need to submit proof of purchase to the seller or an authorised repair agent. You can check the location of your nearest authorised repair agent by contacting your local Black & Decker office at the address indicated in this manual. Alternatively, a list of authorised Black & Decker repair agents and full details of our after-sales service and contacts are available on the Internet at: [www.2helpU.com](http://www.2helpU.com).



## Bestimmungsgemäße Verwendung

Ihr Black & Decker Rasentrimmer GL680/GL690 wurde zum Trimmen und Beschneiden von Rasenkanten sowie zum Schneiden von Gras an schwer zugänglichen Stellen entwickelt. Dieses Gerät ist nicht für den gewerblichen Einsatz vorgesehen.

## Sicherheitshinweise

- ◆ Achtung! Bei der Verwendung elektrischer Geräte sind zum Schutz gegen Feuergefahr, gegen elektrischen Schlag sowie gegen Körperverletzungen grundlegende Sicherheitsmaßnahmen einschließlich der folgenden Vorschriften zu beachten.
- ◆ Lesen Sie diese Anleitung gründlich durch, bevor Sie das Gerät verwenden.
- ◆ Informieren Sie sich vor der Inbetriebnahme, wie Sie das Gerät im Notfall ausschalten.
- ◆ Die bestimmungsgemäße Verwendung ist in dieser Bedienungsanleitung beschrieben. Das Verwenden anderer als der in dieser Anleitung empfohlenen Vorsatzgeräte und Zubehörteile oder die Ausführung von Arbeiten mit diesem Elektrowerkzeug, die nicht der bestimmungsgemäßen Verwendung entsprechen, kann zu Unfallgefahr führen.
- ◆ Bewahren Sie diese Anleitung auf.

## Arbeitsbereich

- ◆ Setzen Sie das Gerät keinem Regen aus. Verwenden Sie das Gerät nicht in einer feuchten oder nassen Umgebung.
- ◆ Verwenden Sie das Gerät nur bei Tageslicht oder guter künstlicher Beleuchtung.

## Schutzmaßnahmen

- ◆ Tragen Sie zum Schutz Ihrer Füße feste Schuhe oder Stiefel. Verwenden Sie das Gerät nicht barfuß oder mit offenen Sandalen.
- ◆ Tragen Sie zum Schutz Ihrer Beine lange Hosen.

## Gebrauch des Gerätes

- ◆ Vergewissern Sie sich, daß das Gerät ausgeschaltet ist, wenn Sie es an die Stromversorgung anschließen.
- ◆ Seien Sie stets aufmerksam. Konzentrieren Sie sich auf Ihre Arbeit. Gehen Sie vernünftig vor.
- ◆ Verwenden Sie das Gerät nicht, wenn Sie müde sind.
- ◆ Falls das Gerät stark vibriert, schalten Sie es aus und ziehen Sie den Netzstecker. Lassen Sie rotierende Teile zum Stillstand kommen, und überprüfen Sie das Gerät auf Beschädigungen und lockere Teile.
- ◆ Benutzen Sie das Kabel nicht, um den Stecker aus der Steckdose zu ziehen. Schützen Sie das Kabel vor Hitze, Öl und scharfen Kanten.
- ◆ Falls das Netzkabel während des Gebrauchs beschädigt wird, schalten Sie das Gerät sofort aus und ziehen Sie den Netzstecker.

Berühren Sie das Netzkabel nicht, bevor Sie den Netzstecker gezogen haben.

## Sicherheit anderer Personen

- ◆ Untersagen Sie Kindern sowie Personen, die sich mit dem Inhalt dieser Anleitung nicht auskennen, die Verwendung dieses Geräts.
- ◆ Halten Sie Kinder, Besucher und Tiere dem Arbeitsbereich fern, und sorgen Sie dafür, daß Sie das Gerät und das Netzkabel nicht berühren.
- ◆ Denken Sie daran, daß der Benutzer für Unfälle und Schäden haftet.

## Nach dem Gebrauch

- ◆ Schalten Sie das Gerät aus, ziehen Sie den Netzstecker und vergewissern Sie sich, daß rotierende Teile zum Stillstand gekommen sind, bevor Sie das Gerät unbeaufsichtigt zurücklassen und bevor Sie irgendwelche Teile des Gerätes austauschen, reinigen oder überprüfen.
- ◆ Das unbenutzte Gerät ist an einem trockenen Ort aufzubewahren. Kinder sollten keinen Zugang zu aufbewahrten Geräten haben.

## Inspektion und Reparaturen

- ◆ Überprüfen Sie das Gerät vor dem Gebrauch auf beschädigte oder defekte Teile. Überprüfen Sie, ob alle beweglichen Teile richtig montiert sind, ob keine Teile gebrochen sind, ob keine Schutzvorrichtungen und Schalter beschädigt sind, und ob irgendwelche andere Schäden den einwandfreien Betrieb des Gerätes beeinträchtigen könnten.
- ◆ Benutzen Sie das Gerät nicht, wenn irgendein Teil defekt ist. Verwenden Sie das Gerät nicht, wenn der Ein-/Ausschalter nicht funktioniert.
- ◆ Verwenden Sie das Gerät auf keinen Fall, wenn eine Schutzvorrichtung oder Abdeckung beschädigt ist bzw. fehlt.
- ◆ Vergewissern Sie sich, daß das Gerät ordnungsgemäß funktionieren wird.
- ◆ Lassen Sie defekte Teile immer von einer unserer Kundendienstwerkstätten reparieren oder austauschen.
- ◆ Überprüfen Sie vor dem Gebrauch das Netzkabel auf Beschädigung, Alterung und Verschleiß.
- ◆ Benutzen Sie das Gerät nicht, wenn das Netzkabel beschädigt oder defekt ist.
- ◆ Falls das Netzkabel beschädigt oder defekt ist, ist es von einer autorisierten Reparaturwerkstatt auszutauschen, um Gefahren vorzubeugen.
- ◆ Versuchen Sie nie, irgendwelche Teile zu entfernen oder auszutauschen, die nicht in der Anleitung beschrieben werden. Vergewissern Sie sich, daß das Gerät ausgeschaltet ist, wenn Sie es an die Stromversorgung anschließen.

## Elektrische Sicherheit:



Dieses Gerät ist schutzisoliert, daher ist keine Erdleitung erforderlich. Überprüfen Sie stets, ob die Netzspannung der auf dem Typenschild angegebenen Spannung entspricht.

## Zusätzliche Sicherheitshinweise für Rasentrimmer

Das Gerät ist mit folgenden Symbolen versehen:



Lesen Sie vor der Inbetriebnahme die Anleitung.



Tragen Sie bei der Verwendung dieses Geräts eine Schutzbrille!



Halten Sie Umstehende und Tiere mindestens 6 m vom Arbeitsbereich fern.



Setzen Sie das Gerät keinem Regen oder hoher Feuchtigkeit aus.



Verwenden Sie den HDL-Hochleistungsfaden nicht in der Kantenschnitt- Betriebsart.

- ◆ Bevor Sie das Gerät verwenden, vergewissern Sie sich, daß der Mähbereich frei von Stöcken, Steinen, Draht und anderen Fremdkörpern ist.
- ◆ Verwenden Sie das Gerät nur in der korrekten Position, mit dem Schneidfaden nahe am Boden (siehe Abbildungen). Schalten Sie das Gerät nie ein, wenn es sich in einer anderen Position befindet.
- ◆ Schalten Sie das Gerät nicht ein, wenn sich Hände oder Füße im Bereich des Schneidfadens befinden.
- ◆ Berühren Sie nie den Schneidfaden, während das Gerät läuft.
- ◆ Arbeiten Sie nicht auf steilen Hängen. Achten Sie auf einen sicheren Stand. Beachten Sie, daß frisch geschnittener Rasen feucht und rutschig ist.
- ◆ Gehen Sie beim Trimmen entlang Rasenkanten sowie in der Nähe von Kiespfaden und -wegen vorsichtig vor, da Steine und Erde durch den Schneidfaden weggeschleudert werden können.
- ◆ Legen Sie das Gerät erst ab, wenn der Schneidfaden zum Stillstand gekommen ist.
- ◆ Verwenden Sie nur Black & Decker Schneidfaden vom richtigen Typ. Verwenden Sie nie Schneidfäden aus Metall oder Angelschnur.
- ◆ Nach dem Verlängern des Schneidfadens bringen Sie das Gerät wieder in die Betriebsposition, bevor Sie es einschalten.
- ◆ Halten Sie das Netzkabel vom Schneidfaden fern. Achten Sie immer auf die Lage des Kabels.

## Merkmale

Dieses Gerät weist einige oder alle der folgenden Merkmale auf.

1. Einschalthebel (Ein-/Ausschalter)
2. Handgriff
3. Kabelzugentlastung
4. Netzanschluß
5. Zweithandgriff
6. Feststellknopf
7. Einstellknopf
8. Kabelaufwicklung
9. Motorgehäuse
10. Schutzhaube
11. Faden-Kappmesser (siehe Abb. F)
12. Spulengehäuse
13. Schneidfaden
14. Fadendepot
15. Rohr
16. Kassettendepot

## Zusammenbau

**Achtung!** Vergewissern Sie sich vor der Montage, daß das Gerät ausgeschaltet ist und daß der Netzstecker gezogen wurde.

### Anbringen der Schutzhaube (Abb. A)

- ◆ Entfernen Sie die Schraube (17) von der Schutzhaube (10).
- ◆ Bringen Sie die Schutzhaube wie angegeben am Gerät an.
- ◆ Drücken Sie die Schutzhaube auf das Gerät, bis sie einrastet.
- ◆ Befestigen Sie die Schutzhaube mit der Schraube.

**Achtung!** Verwenden Sie das Gerät nur, wenn die Schutzhaube ordnungsgemäß montiert ist.

### Anbringen des Zweithandgriffes (Abb. B)

- ◆ Bringen Sie den Handgriff (5) wie angegeben am Gerät an.
- ◆ Stellen Sie den Handgriff auf die für Sie bequemste Position ein. Verwenden Sie die Markierungen als Orientierungshilfe.
- ◆ Führen Sie die Schraube (6) durch den Zweithandgriff und durch den Haupthandgriff an der Seite mit dem ringförmigen Aufsatz
- ◆ Ziehen Sie die Schraube nicht zu fest an.

### Aufbewahrung der nicht verwendeten Spule (Abb. C)

Das Gerät arbeitet mit zwei Schneidsystemen:

- ◆ Reflex plus: Doppelfaden-Vollautomatik für normales Rasentrimmen und Kantenschneiden.
- ◆ HDL: Hochleistungsfaden-Schneidsystem für stark bewachsene Bereiche.

Das nicht verwendete Schneidsystem kann im Kassettendepot (16) aufbewahrt werden.

- ◆ Richten Sie die Laschen an der Fadenkassette mit den Aussparungen (28) an der Unterseite des Handgriffs aus.
- ◆ Drücken Sie die Kassette in den Handgriff, bis sie sicher einrastet.

### **Aufbewahrung des extradicken Schneidfadens (Abb. C)**

- ◆ Das Gerät wird mit mehreren schweren Ersatzschneidfäden ausgeliefert.
- ◆ Diese zusätzlichen extradicken Fäden können bequem und sicher in der Aussparung im Handgriff (14) aufbewahrt werden.

### **Lösen des Schneidfadens**

Ab Werk sind die Schneidfäden der Reflex-Plus Fadenspule mit Klebeband am Kassettengehäuse befestigt.

- ◆ Entfernen Sie das Klebeband mit dem die Fäden (13) am Kassettengehäuse (12) befestigt sind.

### **Anbringen des Hochleistungsschneidfadens (Abb. G & L)**

Ihr Rasentrimmer wird mit montierter Reflex plus-Kassette ausgeliefert. Um das HDL-Hochleistungsfaden-Schneidsystem anzubringen, gehen Sie folgendermaßen vor:

- ◆ Ziehen Sie den Netzstecker.
- ◆ Drücken Sie die Laschen (18) herunter, und entfernen Sie die Fadenkassette (19) vom Gehäuse (12) (Abb. G).
- ◆ Vergewissern Sie sich, daß der dicke Schneidfaden korrekt in der HDL-Kassette angebracht ist. Beschreibung hierzu siehe "Pflege und Wartung - Anbringen eines neuen Hochleistungsschneidfadens" (siehe Abb. L).
- ◆ Richten Sie die Laschen der HDL-Kassette mit den Aussparungen (22) im Gehäuse aus (Abb. G).
- ◆ Drücken Sie die HDL-Kassette in das Gehäuse, bis sie sicher einrastet.

### **Anschließen an die Stromversorgung**

- ◆ Schließen Sie die Steckerbuchse eines geeigneten Verlängerungskabels an den Netzanschluß (4) an.
- ◆ Führen Sie das Kabel durch die Zugentlastung (3).
- ◆ Stecken Sie den Netzstecker in eine Steckdose.

**Achtung!** Das Verlängerungskabel muß für den Einsatz im Freien geeignet sein.

## **Gebrauch**

**Achtung!** Beschleunigen Sie den Arbeitsvorgang nicht mit Gewalt. Vermeiden Sie eine Überlastung des Gerätes.

### **Einstellen des Gerätes auf Trimmen oder Kantenschneiden (Abb. D, E & F)**

Dieses Gerät kann sowohl zum Trimmen wie in Abb. D als auch zum Kantenschneiden (Beschneiden überhängenden

Grases zwischen Rasenkanten und Blumenbeeten) wie in Abb. E verwendet werden.

**Achtung!** Verwenden Sie in der Kantenschneidfunktion nicht das HDL-Schneidsystem.

### **Trimmen (Abb. D & F)**

Zum Trimmen sollte sich der Kopf des Gerätes in der in Abb. D gezeigten Position befinden. Falls nicht:

- ◆ Drücken Sie auf den Einstellknopf (7).
- ◆ Drehen Sie den Kopf (9), während Sie den Knopf loslassen.
- ◆ Befindet sich der Kopf in der richtigen Position, so rastet der Knopf ein.

Hinweis: Der Kopf läßt sich nur in einer Richtung drehen.

### **Kantenschneiden (Abb. E & F)**

Zum Kantenschneiden sollte sich der Kopf des Gerätes in der in Abb. E gezeigten Position befinden. Falls nicht:

- ◆ Drücken Sie auf den Einstellknopf (7).
- ◆ Drehen Sie den Kopf (9), während Sie den Knopf loslassen.
- ◆ Befindet sich der Kopf in der richtigen Position, so rastet der Knopf ein.

Hinweis: Der Kopf läßt sich nur in einer Richtung drehen.

**Achtung!** Verwenden Sie in der Kantenschneidfunktion nicht das HDL-Schneidsystem.

### **Einstellen der Gerätehöhe (Abb. F)**

Dieses Gerät hat einen Teleskopmechanismus, so daß Sie es auf eine komfortable Höhe einstellen können. Drei Höheneinstellungen sind möglich. Um die Höhe einzustellen, gehen Sie folgendermaßen vor:

- ◆ Drücken Sie auf den Einstellknopf (7).
- ◆ Ziehen Sie das Rohr (15) ohne Gewalt aus dem Motorgehäuse (9) bis zur gewünschten Höhe heraus bzw. schieben Sie es hinein, während Sie den Knopf loslassen.
- ◆ Der Knopf rastet dann in der nächstmöglichen Position ein.

### **Ein- und Ausschalten**

- ◆ Um das Gerät einzuschalten, drücken Sie auf den Einschalthebel (1).
- ◆ Um das Gerät auszuschalten, lassen Sie Einschalthebel los.

**Achtung!** Versuchen Sie niemals, den Einschalthebel im eingeschaltetem Zustand zu verriegeln.

## **Ratschläge für einen optimalen Gebrauch**

### **Allgemeines**

- ◆ Um optimale Schnittergebnisse zu erzielen, schneiden Sie nur trockenes Gras.

## Trimmen

- ◆ Halten Sie das Gerät gemäß Abb. D.
- ◆ Schwenken Sie den Trimmer gleichmäßig von einer Seite zur anderen.
- ◆ Bei langem Gras arbeiten Sie stufenweise in kleinen Schritten von oben nach unten. Führen Sie kleine Schnitte aus.
- ◆ Halten Sie das Gerät von harten Gegenständen und empfindlichen Pflanzen fern.
- ◆ Falls das Gerät beginnt, langsam zu laufen, verringern Sie die Belastung.

## Kantenschneiden

Optimale Schnittergebnisse erhalten Sie bei Kanten mit einer Tiefe von mindestens 50 mm.

- ◆ Verwenden Sie das Gerät nicht zum Bilden neuer Kanten. Verwenden Sie dazu einen Kantenspaten.
- ◆ Führen Sie das Gerät gemäß Abb. E.
- ◆ Um einen kürzeren Schnitt zu erzielen, neigen Sie das Gerät ein wenig.

## Pflege und Wartung

Ihr Gerät wurde im Hinblick auf eine lange Lebensdauer und einen möglichst geringen Wartungsaufwand entwickelt.

Ein dauerhafter, einwandfreier Betrieb setzt eine regelmäßige Reinigung voraus.

**Achtung!** Bevor Sie irgendwelche Wartungsarbeiten vornehmen, schalten Sie das Gerät aus, und ziehen Sie den Netzstecker.

- ◆ Reinigen Sie regelmäßig die Lüftungsschlitze im Gerät mit Hilfe einer weichen Bürste oder eines trockenen Tuches.
- ◆ Reinigen Sie regelmäßig den Schneidfaden und die Fadenspule mit Hilfe einer weichen Bürste oder eines trockenen Tuches.
- ◆ Verwenden Sie regelmäßig einen stumpfen Schaber, um Gras und Schmutzreste von der Unterseite der Schutzhaube zu entfernen.

## Einsetzen einer neuen Fadenspule (Abb. G & H)

Neue Spulen mit Schneidfaden sind bei Ihrem Black & Decker Händler erhältlich (Bestellnummer A6441). Es sind auch komplette Kassetten mit einer Fadenspule erhältlich (Bestellnummer A6488).

- ◆ Ziehen Sie den Netzstecker.
- ◆ Halten Sie die Laschen (18) gedrückt, und entfernen Sie die Fadenkassette (19) vom Gehäuse (12) (Abb. G).
- ◆ Nehmen Sie die leere Spule (20) aus der Fadenkassette.
- ◆ Entfernen Sie Schmutzreste und Gras von Fadenkassette und Gehäuse.
- ◆ Nehmen Sie die neue Fadenspule, und drücken Sie sie auf den Zapfen in der Kassette. Drehen Sie die Spule ein wenig, bis sie einrastet.

- ◆ Lösen Sie das Ende eines der Schneidfaden, und führen Sie den Faden in eine der Ösen (21) (Abb. H). Der Schneidfaden sollte ca. 11 cm aus der Kassette hervorstehen.
- ◆ Lösen Sie das Ende des anderen Schneidfadens, und führen Sie den Faden in die andere Öse. Der Schneidfaden sollte ca. 11 cm aus der Kassette hervorstehen.
- ◆ Richten Sie die Laschen (18) der Fadenkassette mit den Aussparungen (22) im Gehäuse aus (Abb. G).
- ◆ Drücken Sie die Kassette in das Gehäuse, bis sie sicher einrastet.

**Achtung!** Falls die Schneidfäden über das Faden-Kappmesser (11) herausragen, schneiden Sie die Fäden ab, so daß sie gerade bis zum Faden-Kappmesser reichen.

## Aufwickeln eines neuen Fadens auf eine leere Spule (Abb. I, J & K)

Sie können auch neuen Schneidfaden auf eine leere Spule aufwickeln. Neuer, loser Schneidfaden ist bei Ihrem Black & Decker Händler erhältlich (Bestellnummer A6440).

- ◆ Entfernen Sie die leere Spule gemäß Beschreibung oben.
- ◆ Entfernen Sie etwaige Fadenreste von der Spule.
- ◆ Wickeln Sie zuerst neuen Faden auf den oberen Teil der Spule auf:
  - Führen Sie 2 cm Schneidfaden wie abgebildet in einen der Schlitze oben in der Spule.
  - Wickeln Sie den Schneidfaden in Richtung des Pfeils auf die Spule auf. Achten Sie darauf, daß Sie den Faden sauber und in Schichten aufwickeln. Vermeiden Sie ein kreuzweises Aufwickeln.
  - Wenn der aufgewickelte Faden die Aussparungen (24) erreicht, schneiden Sie ihn ab.
  - Klemmen Sie den Schneidfaden wie angegeben vorübergehend in die Schlitze (23) an einer Seite der Spule.
- ◆ Wiederholen Sie den oben beschriebenen Vorgang für den zweiten Schneidfaden, der auf den unteren Teil der Spule aufzuwickeln ist. Klemmen Sie den Faden in die noch freien Schlitze (23).
- ◆ Um die Spule am Gerät anzubringen, gehen Sie wie oben beschrieben vor. Vergessen Sie nicht, den Faden aus den Schlitzen (23) zu lösen.

**Achtung!** Verwenden Sie ausschließlich Black & Decker Schneidfäden des richtigen Typs. Vergewissern Sie sich, daß auf beide Teilen der Spule Schneidfaden aufgewickelt ist (Abb. K).

### Einsetzen eines neuen Hochleistungsschneidfadens (Abb. G & L)

Neue Hochleistungsschneidfäden sind bei Ihrem Black & Decker Händler erhältlich (Bestellnummer A6487). Um einen neuen Hochleistungsschneidfaden einzusetzen, gehen Sie folgendermaßen vor:

- ◆ Ziehen Sie den Netzstecker.
- ◆ Halten Sie die Laschen (18) gedrückt, und entfernen Sie die den schweren Schneidkopf (25) vom Gehäuse (12) (Abb. G).
- ◆ Entfernen Sie den abgenutzten Schneidfaden aus der Kassette.
- ◆ Fädeln Sie die Enden eines neuen Fadens (26) durch die Löcher in der HDL-Kassette.
- ◆ Bringen Sie die Öse (27) in der Mitte des Fadens in die angegebene Position.
- ◆ Richten Sie die Laschen an der Kassette mit den Löchern (22) im Gehäuse aus (Abb. G).
- ◆ Drücken Sie die HDL-Kassette in das Gehäuse, bis sie sicher einrastet.

### Störungsbeseitigung

Falls Ihr Gerät nicht ordnungsgemäß funktioniert, befolgen Sie folgende Hinweise. Falls die Störung damit nicht behoben wird, wenden Sie sich bitte an den Black & Decker Kundendienst.

**Achtung!** Bevor Sie die folgenden Schritte durchführen, schalten Sie das Gerät aus, und ziehen Sie den Netzstecker.

#### Das Gerät läuft nur langsam.

- ◆ Überprüfen Sie, ob sich das Spulengehäuse frei drehen kann. Bei Bedarf reinigen Sie es sorgfältig.
- ◆ Vergewissern Sie sich, daß die Länge des aus dem Spulengehäuse hervorstehenden Schneidfadens 11 cm nicht überschreitet. Ist dies der Fall, dann schneiden Sie den Faden ab, so daß er gerade das Faden-Kappmesser erreicht.

#### Die automatische Fadenzufuhr funktioniert nicht.

- ◆ Nehmen Sie die Fadenkassette vom Gehäuse.
- ◆ Ziehen Sie am Schneidfaden, bis er 11 cm aus dem Spulengehäuse hervorsteht. Falls der Schneidfaden auf der Spule nicht mehr ausreicht, setzen Sie wie oben beschrieben eine neue Fadenspule ein.
- ◆ Richten Sie die Laschen der Fadenkassette mit den Aussparungen im Gehäuse aus.
- ◆ Drücken Sie die Kassette in das Gehäuse, bis sie sicher einrastet.

- ◆ Falls der Schneidfaden über das Faden-Kappmesser hinaus hervorsteht, schneiden Sie den Faden ab, so daß er gerade bis zum Faden-Kappmesser reicht.

Falls die automatische Fadenzufuhr noch immer nicht funktioniert oder die Spule klemmt, versuchen Sie folgendes:

- ◆ Reinigen Sie sorgfältig Fadenkassette und Spulengehäuse.
- ◆ Entfernen Sie die Spule und überprüfen Sie, ob sich der Hebel im Spulengehäuse frei bewegen kann.
- ◆ Entfernen Sie die Spule, und wickeln Sie den Faden ab. Wickeln Sie den Faden dann wie oben beschrieben wieder sauber auf. Bringen Sie die Spule wie beschrieben wieder an.

### Umweltschutz



Black & Decker nimmt Ihre ausgedienten Black & Decker Geräte gern zurück und sorgt für eine umweltfreundliche Entsorgung. Diese Dienstleistung ist für Sie kostenlos. Um diese Dienstleistung in Anspruch zu nehmen, geben Sie das Gerät bitte bei einer autorisierten Reparaturwerkstatt ab, die für uns die Einsammlung übernimmt.

Die Adresse des zuständigen Büros von Black & Decker finden Sie in dieser Anleitung, darüber läßt sich die nächstgelegene Vertragswerkstatt ermitteln. Außerdem ist eine Liste der Vertragswerkstätten und aller Kundendienststellen von Black & Decker sowie der zuständigen Ansprechpartner im Internet zu finden unter: [www.2helpU.com](http://www.2helpU.com).

### Technische Daten

	GL680	GL690
Leistungsaufnahme	W 500	630
Leerlaufdrehzahl	min-1 8500/10000	8700/10300
Gewicht	kg 2.6	2.9

**EG-Konformitätserklärung****GL680/GL690**

Black & Decker erklärt, daß diese Produkte folgende Konformität erfüllen: 98/37/EC, 89/336/EEC, 73/23/EEC, EN 60335, EN 55014, EN 61000, 2000/14/EC, Rasentrimmer,

L < 50 cm

Annex VIII, No. 0086

B.S.I., HP2 4SQ, Vereinigtes Königreich

Höhe des Schalldrucks, gemessen nach 2000/14/EC:

$L_{pA}$  (Schalldruck): 82 dB(A),  $L_{WA}$  (Schalleistung) 95 dB(A),

$L_{WA}$  (garantiert) 96 dB(A)

Gewichteter Effektivwert der Beschleunigung nach EN 786:

< 2.5 m/s<sup>2</sup>



Kevin Hewitt

Director of Consumer Engineering  
Spennymoor, County Durham DL16 6JG,  
Vereinigtes Königreich  
01-10-2002

**Garantie**

Black & Decker vertraut auf die Qualität der eigenen Geräte und bietet dem Käufer eine außergewöhnliche Garantie. Diese Garantiezusage versteht sich unbeschadet der gesetzlichen Gewährleistungsansprüche und schränkt diese keinesfalls ein. Sie gilt in sämtlichen Mitgliedsstaaten der Europäischen Union und der Europäischen Freihandelszone EFTA.

Tritt innerhalb von 24 Monaten ab Kaufdatum an einem Gerät von Black & Decker ein auf Material- oder Verarbeitungsfehler zurückzuführender Mangel auf, garantiert Black & Decker den Austausch defekter Teile, die Reparatur von Geräten mit üblichem Verschleiß bzw. den Austausch eines mangelhaften Geräts, ohne den Kunden dabei mehr als unbedingt nötig in Anspruch zu nehmen, allerdings vorbehaltlich folgender Ausnahmen:

- ◆ wenn das Gerät gewerblich, beruflich oder im Verleihgeschäft benutzt wurde;
- ◆ wenn das Gerät mißbräuchlich verwendet oder mit mangelnder Sorgfalt behandelt wurde;
- ◆ wenn das Gerät durch irgendwelche Fremdeinwirkung beschädigt wurde;
- ◆ wenn ein unbefugter Reparaturversuch durch anderes Personal als das einer Vertragswerkstatt oder des Black & Decker-Kundendienstes unternommen wurde.

Zur Inanspruchnahme dieser Garantie ist dem Verkäufer bzw. der Vertragswerkstatt ein Kaufnachweis vorzulegen. Der Kaufnachweis muß Kaufdatum und Gerätetyp bescheinigen. Die Adresse des zuständigen Büros von Black & Decker steht in dieser Anleitung, darüber läßt sich die nächstgelegene Vertragswerkstatt ermitteln. Außerdem ist eine Liste der Vertragswerkstätten und aller Kundendienststellen von Black & Decker sowie der zuständigen Ansprechpartner im Internet zu finden unter: **www.2helpU.com**.

## Utilisation prévue

Votre coupe bordures Black & Decker GL680/GL690 a été conçu pour tailler et arranger les bordures de pelouse et pour couper l'herbe dans des espaces réduits. Cet outil a été conçu pour une utilisation domestique uniquement.

## Instructions de sécurité

- ◆ **Attention !** Lors de l'utilisation d'outils électriques, observez les consignes de sécurité élémentaires, y compris celles qui suivent afin de réduire les risques d'incendie, d'électrocution et de blessures.
- ◆ Lisez et observez attentivement les instructions avant d'utiliser l'appareil.
- ◆ Avant d'utiliser l'outil, assurez-vous de savoir comment mettre votre outil à l'arrêt en cas d'urgence.
- ◆ Le domaine d'utilisation de l'appareil est décrit dans le présent manuel. L'utilisation d'accessoires autres que ceux recommandés dans le présent manuel pourrait entraîner un risque de blessure.
- ◆ Conservez ces instructions à titre de référence.

## Aire de travail

- ◆ N'exposez pas l'outil à la pluie. N'exposez pas l'outil à l'humidité.
- ◆ N'utilisez l'outil qu'à la lumière du jour ou sous un éclairage artificiel efficace.

## Protection individuelle

- ◆ Portez des chaussures ou des bottes renforcées pour protéger les pieds. N'utilisez pas l'outil pied nus ou en ne portant que des sandales.
- ◆ Portez un pantalon long pour vous protéger les jambes.

## Utilisation de l'appareil

- ◆ Assurez-vous que l'outil est en position d'arrêt avant de le brancher.
- ◆ Faites preuve de vigilance. Observez votre travail. Faites preuve de bon sens.
- ◆ N'employez pas l'outil en cas de fatigue.
- ◆ Si l'outil commence à vibrer de manière anormale, éteignez-le et débranchez-le. Attendez que les parties rotatives s'arrêtent et regardez si l'outil est endommagé ou si des pièces sont mal serrées.
- ◆ Ne tirez jamais sur le câble pour débrancher. Préservez le câble de la chaleur, de l'huile et des arêtes tranchantes.
- ◆ Si le câble est endommagé pendant l'utilisation de l'outil, éteignez-le et débranchez-le immédiatement. Ne touchez pas le câble avant d'avoir débranché l'outil.

## Sécurité des tierces personnes

- ◆ Ne laissez jamais aucun enfant ou aucune personne non familiarisée avec ces instructions utiliser cet outil.

- ◆ Ne laissez pas les enfants, les visiteurs ou les animaux s'approcher de l'aire de travail ou toucher l'outil ou le câble d'alimentation.
- ◆ Souvenez-vous que l'utilisateur peut être tenu responsable de tout accident ou dommage subi par des tiers ou par des biens appartenant à des tiers.

## Après utilisation

- ◆ Éteignez l'outil, débranchez-le et assurez-vous que les pièces rotatives ont cessé de tourner avant d'abandonner l'outil, ou avant de changer, de nettoyer ou d'inspecter une partie de l'outil.
- ◆ Rangez l'appareil dans un endroit sec. Ne laissez pas les enfants s'approcher des appareils, même quand ils sont rangés.

## Vérifications et réparations

- ◆ Avant d'utiliser l'appareil, vérifiez qu'il n'est pas endommagé et qu'il n'y a pas de pièces défectueuses. Vérifiez l'alignement des pièces en mouvement, leur prise et toute rupture de pièces, tout dommage des protections et des interrupteurs et toute autre condition pouvant affecter le fonctionnement de l'outil.
- ◆ N'utilisez pas l'appareil si une pièce est endommagée ou défectueuse. N'utilisez pas l'outil si l'interrupteur marche/arrêt ne fonctionne pas.
- ◆ N'utilisez jamais l'outil si un carter ou un couvercle est endommagé ou n'est pas en place.
- ◆ Veillez à ce que l'outil fonctionne correctement et qu'il exécute les tâches pour lesquelles il est prévu.
- ◆ Faites réparer ou remplacer toute pièce endommagée par un réparateur agréé.
- ◆ Avant d'utiliser l'outil, vérifiez que le câble secteur n'est pas endommagé ni usé.
- ◆ N'utilisez pas l'outil si le câble est en mauvais état.
- ◆ Si le câble d'alimentation est endommagé, il doit être remplacé par un réparateur agréé pour éviter tout accident.
- ◆ N'essayez jamais d'enlever ou de changer des pièces autres que celles qui sont spécifiées dans ce manuel.

## Sécurité électrique



L'outil est doublement isolé; par conséquent, une prise de terre n'est pas nécessaire. Vérifiez si la tension secteur correspond à la tension indiquée sur la plaque d'identification.

## Instructions de sécurité supplémentaires pour les coupe bordures

Les symboles de prévention suivants sont indiqués sur l'outil :



Lisez le manuel avant l'emploi.



Porter des lunettes de sécurité lorsque vous utilisez cet outil.



Les personnes et les animaux doivent se tenir à une distance d'au moins 6 m de la zone de coupe.



N'exposez pas l'outil à la pluie ou à l'humidité.



N'utilisez pas la ligne haute résistance en mode de coupe de bordures.

- ◆ Avant d'utiliser l'outil, vérifiez qu'aucun bâton, fil de fer, pierre ou aucun autre obstacle n'obstrue la zone de coupe.
  - ◆ Utilisez l'outil seulement en position correcte, en tenant le fil de coupe près du sol, comme l'indiquent les illustrations. N'allumez jamais l'outil dans une autre position.
  - ◆ N'allumez l'outil que lorsque vos mains et vos pieds sont éloignés du fil de coupe.
  - ◆ Ne touchez jamais le fil de coupe lorsque l'outil fonctionne.
  - ◆ Ne travaillez pas sur un sol très pentu. Toujours tenir les deux pieds à terre et garder l'équilibre. Faites attention car l'herbe fraîchement coupée est humide et glissante.
  - ◆ Prenez des précautions lorsque vous fauchez près de bordures, ou de chemins ou routes avec des graviers, car le fil de coupe peut entraîner des projections.
  - ◆ Ne posez pas l'outil avant que le fil de coupe ne se soit complètement arrêté.
  - ◆ Utilisez uniquement le bon type de fil de coupe de Black & Decker. N'utilisez jamais de fil de coupe en métal ou de fil de pêche.
- # ◆ Après avoir tiré sur le fil de coupe, remplacez toujours l'outil sur sa position normale avant de l'allumer.
- ◆ Veillez à ne pas laisser le câble à proximité du fil de coupe. Surveillez toujours la position du câble.

## Caractéristiques

Cet outil comprend toutes ou certaines des caractéristiques suivantes.

1. Interrupteur (Interrupteur de mise en marche)
2. Poignée
3. Goupille de retenue de fil
4. Entrée électrique
5. Deuxième poignée réglable

6. Vis de réglage de la poignée
7. Bouton de réglage
8. Crochets d'accroche du fil
9. Boîtier moteur
10. Carter de protection
11. Lame coupe-fil (voir fig. F).
12. Boîtier de la bobine
13. Fil de coupe
14. Sachet de rangement du fil
15. Manche télescopique
16. Position de rangement de la bobine

## Montage

**Attention!** Avant l'assemblage, assurez-vous que l'outil est éteint et débranché.

### Mise en place du carter protecteur (fig. A)

- ◆ Retirez la vis (17) du carter protecteur (10).
- ◆ Placez le carter de protection sur l'outil selon le schéma.
- ◆ Appuyez fermement sur le carter jusqu'à ce qu'il se mette en place avec un clic sec.
- ◆ Fixez le carter protecteur avec la vis.

**Attention!** N'utilisez jamais l'outil si le carter protecteur n'est pas correctement installé.

### Montage de la deuxième poignée latérale (fig. B)

- ◆ Placez la poignée (5) sur l'outil selon le schéma.
- ◆ Réglez la poignée dans la position la plus confortable pour vous. Utilisez les repères pour vous guider.
- ◆ Passez le boulon (6) dans la deuxième poignée et la poignée principale.
- ◆ Vissez le boulon sur le côté extérieur de la deuxième poignée. Veillez à ne pas trop serrer le boulon.

### Rangement de la cassette non utilisée (fig. C)

L'outil a deux systèmes de coupe :

- ◆ Reflex plus: Alimentation automatique de fil double pour les travaux légers de taille et de coupe des bordures.
- ◆ HDL : Système de coupe renforcé pour les travaux plus intenses de coupe.

La cassette de coupe non utilisée peut être rangée dans l'emplacement prévu à cet effet (16).

- ◆ Alignez les languettes de la cassette, en prenant soin de placer les échancrures (28) sur la face intérieure de la poignée.
- ◆ Enfoncez la cassette dans la poignée jusqu'à ce qu'elle se mette en place avec un clic sec.

### Rangement des fils de coupe renforcés (fig. C)

- ◆ L'outil est livré avec plusieurs morceaux de fil de coupe renforcé de rechange.



- ◆ Vous pouvez ranger les fils de coupe renforcés supplémentaires à l'abri dans le logement pratiqué dans la poignée.

### Déroulement du fil de coupe.

Durant le travail, le fil de coupe est caché par le boîtier moteur.

- ◆ Enlevez la bande qui retient le fil de coupe (13) à la protection de la bobine (12).

### Mise en place du fil de coupe renforcé (fig. G & L)

Votre coupe bordures est livré avec la bobine Reflex plus installée. Pour mettre en place le système de coupe à fil renforcé HDL, procédez comme suit :

- ◆ Débranchez l'outil
- ◆ Maintenez les languettes (18) enfoncées et retirez la cassette (19) du boîtier (12) (fig. G).
- ◆ Vérifiez qu'un bout de fil de coupe renforcé est bien correctement engagé dans la cassette de coupe renforcée, comme indiqué dans « Entretien – Mise en place d'un nouveau morceau de fil de coupe renforcé » (voir Fig. L).
- ◆ Alignez les languettes de la cassette de coupe renforcée avec les échancrures (22) du boîtier (fig. G).
- ◆ Enfoncez la cassette de coupe sur le boîtier jusqu'à ce qu'elle se mette en place avec un clic sec.

### Branchement de l'outil au secteur

- ◆ Branchez la prise femelle d'un fil de rallonge adapté à l'entrée d'alimentation électrique (4)
- ◆ Enroulez le câble autour du bloque-câble (3).
- ◆ Branchez la prise mâle du câble au secteur.  
Enroulement dans les outils à fil : Assurez-vous que le câble est bien enroulé autour du bloque-câble avant de brancher la prise sur le secteur.

**Attention!** Le câble de rallonge doit être adapté pour le travail en extérieur.

### Utilisation

**Attention!** Laissez l'outil fonctionner à sa propre vitesse. Ne le surchargez pas.

### Réglage de l'outil en mode de taille ou de coupe (fig. D, E & F)

L'outil peut être utilisé en mode de taille comme indiqué à la fig. D ou en mode coupe pour tailler de l'herbe en surplomb dans les bordures de pelouse et les parterres de fleurs comme indiqué à la fig. E.

**Attention!** N'utilisez pas le système de coupe renforcée pour couper les bordures.

### Mode de taille (fig. D & F)

Pour tailler, la tête du coupe bordures devra être dans la position indiquée à la fig. D. Si ce n'est pas le cas :

- ◆ Appuyez sur le bouton de réglage (7).
- ◆ Faites pivoter la tête (9) tout en relâchant le bouton.
- ◆ Lorsque la tête est placée dans la position souhaitée, le bouton se bloque.

Remarque : La tête ne tourne que dans un sens.

### Mode de coupe (fig. E & F)

Pour couper, la tête du coupe bordures devra être dans la position indiquée à la fig. E. Si ce n'est pas le cas :

- ◆ Appuyez sur le bouton de réglage (7).
- ◆ Faites pivoter la tête (9) tout en relâchant le bouton.
- ◆ Lorsque la tête est placée dans la position souhaitée, le bouton se bloque.

Remarque : La tête ne tourne que dans un sens.

**Attention!** N'utilisez pas le système de coupe renforcée pour couper les bordures.

### Réglage de la hauteur de l'outil (fig. F).

L'outil est équipé d'un mécanisme télescopique, qui vous permet de le régler à la hauteur la plus confortable pour l'utilisateur. Vous pouvez le régler à trois hauteurs différentes.

Pour régler la hauteur, procédez comme suit :

- ◆ Appuyez sur le bouton de réglage (7).
- ◆ Enfoncez le manche (15) dans le carter du moteur (9) ou extrayez-le du carter jusqu'à la hauteur voulue.
- ◆ Lorsque le manche est en place, le bouton se bloque.

### Mise en marche et arrêt

- ◆ Pour allumer l'outil, appuyez sur l'interrupteur (1)
- ◆ Relâchez l'interrupteur pour éteindre l'outil.

**Attention!** N'essayez jamais de bloquer l'interrupteur en position de marche.

### Conseils pour une utilisation optimale

#### Généralités

- ◆ Pour des résultats de coupe optimaux, ne coupez que de l'herbe sèche.

#### Taille

- ◆ Tenez l'outil comme indiqué à la fig. D.
- ◆ Faites basculer doucement l'interrupteur d'un côté à l'autre.
- ◆ Lorsque vous coupez des hautes herbes, travaillez par étapes en commençant par le haut. Procédez par petites coupes.
- ◆ Veillez à ne pas approcher l'outil des objets durs et des plantes délicates.

- ◆ Si l'outil commence à fonctionner lentement, réduisez la charge.

## Coupe

Pour des résultats de coupe optimaux, les bordures doivent être supérieures à 50 mm.

- ◆ N'utilisez pas l'outil pour créer des bordures. Pour cette opération, utilisez des cisailles à gazon.
- ◆ Tenez l'outil comme indiqué sur la fig. E.
- ◆ Pour une coupe plus nette, inclinez légèrement l'outil.

## Entretien

Votre outil a été conçu pour fonctionner pendant longtemps avec un minimum d'entretien. Un fonctionnement continu satisfaisant dépend d'un nettoyage régulier et d'un entretien approprié de l'outil.

**Attention!** Avant d'effectuer tout entretien, éteignez et débranchez l'outil.

- ◆ Nettoyez régulièrement les orifices de ventilation de votre outil à l'aide d'une brosse douce ou d'un chiffon sec.
- ◆ Nettoyez régulièrement le fil de coupe et la bobine à l'aide d'une brosse douce ou d'un chiffon sec.
- ◆ Utilisez régulièrement un grattoir pour enlever toutes les saletés et l'herbe accumulées sous le carter protecteur.

## Mise en place d'une nouvelle bobine de fil de coupe (fig. G & H)

Des bobines de fil de coupe de rechange sont disponibles chez votre revendeur Black & Decker (ref. A6441).

Des cassettes complètes contenant une bobine de fil de coupe sont également disponibles (ref. 6488).

- ◆ Débranchez l'outil
- ◆ Maintenez les languettes (18) enfoncées et retirez le couvercle de la bobine (19) du boîtier (12) (fig. G).
- ◆ Retirez la bobine vide (20) du couvercle de la bobine.
- ◆ Enlevez toute trace de saleté ou d'herbe du couvercle de la bobine et du boîtier.
- ◆ Prenez la bobine neuve et enfoncez-la sur le bossage du couvercle de la bobine. Faites lentement tourner la bobine jusqu'à ce qu'elle soit bien en place.
- ◆ Saisissez l'une des extrémités des fils de coupe et faites glisser le fil dans l'un des fillets (21) (fig. H). Tirez environ 11 cm de fil hors du couvercle de la bobine.
- ◆ Détachez l'extrémité de l'autre fil de coupe et faites passer la ligne dans l'autre fillet. Tirez environ 11 cm de fil hors du couvercle de la bobine.
- ◆ Alignez les languettes (18) sur le couvercle de la bobine avec les trous du boîtier (22) (fig. G).
- ◆ Enfoncez le couvercle sur le support jusqu'à ce qu'il se mette en place avec un clic sec.

**Attention!** Si les fils de coupe dépassent de la lame de coupe (11), coupez-les afin qu'ils atteignent juste la lame.

## Enroulement d'un nouveau fil sur une bobine vide (fig. I, J & K)

Vous pouvez enrouler un nouveau fil de coupe sur une bobine vide. Des bobines de fil de coupe de rechange sont disponibles chez votre revendeur Black & Decker (ref. A6440).

- ◆ Retirez la bobine vide de l'outil comme expliqué ci-dessus.
- ◆ Retirez tout fil de coupe restant de l'outil.
- ◆ Enroulez d'abord le nouveau fil sur la partie proéminente de la bobine :
  - Faites entrer 2 cm de fil de coupe dans l'un des trous de la section supérieure de la bobine comme indiqué.
  - Enroulez le fil de coupe sur la bobine dans le sens de la flèche. Veillez à enrouler le fil proprement et en couches successives. Ne l'entrecroisez pas.
  - Lorsque le fil de coupe enroulé est encastré (24), coupez-le.
  - Laissez temporairement le fil dans les encoches (23) sur un côté de la bobine comme indiqué.
- ◆ Répétez l'opération précédente pour le second fil de coupe sur la partie inférieure de la bobine. Laissez le fil dans les encoches restées libres (23).
- ◆ Procédez comme expliqué ci-dessus pour installer la bobine dans l'outil. N'oubliez pas de relâcher le fil de coupe des encoches où vous l'avez laissé (23).

**Attention!** Utilisez uniquement le bon type de fil de coupe de Black & Decker. Vérifiez que le fil de coupe se trouve dans les deux parties de la bobine (fig. K).

## Mise en place d'un nouveau morceau de fil de coupe renforcé (fig. G & L)

Des fils de coupe renforcés de rechange sont disponibles chez votre revendeur Black & Decker (ref. A6487). Pour mettre en place un nouveau morceau de fil de coupe, procédez comme suit.

- ◆ Débranchez l'outil
- ◆ Maintenez les languettes (18) enfoncées et retirez la cassette de coupe renforcée (25) du boîtier (12) (fig. G).
- ◆ Enlevez le morceau de fil usé de la cassette.
- ◆ Faites passer un morceau de fil neuf (26) dans les trous de la cassette de coupe renforcée.
- ◆ Placez l'embout central (27) dans la position indiquée.
- ◆ Alignez les languettes de la cassette de coupe renforcée avec les trous (22) du boîtier (fig. G).
- ◆ Enfoncez la cassette de coupe sur le boîtier jusqu'à ce qu'elle se mette en place avec un clic sec.

## Dépannage

Si votre outil ne semble pas fonctionner correctement, suivez les instructions ci-dessous. Si elles ne vous permettent pas de résoudre le problème, contactez votre service de réparation local Black & Decker.

**Attention!** Avant de commencer, éteignez et débranchez l'outil.

### Si l'outil fonctionne lentement

- ◆ Vérifiez que le support de la bobine tourne correctement et librement. Nettoyez-la soigneusement si cela est nécessaire.
- ◆ Vérifiez que le fil de coupe ne dépasse pas de plus de 11 cm le boîtier de la bobine. Si c'est le cas, coupez-le pour qu'il atteigne juste la lame coupe-fil.

### L'alimentation du fil automatique ne fonctionne pas

- ◆ Maintenez les languettes enfoncées et retirez le couvercle du boîtier.
- ◆ Enfoncez le fil de coupe jusqu'à ce qu'il dépasse de 11 cm du boîtier. S'il reste peu de fil de coupe sur la bobine, installez une nouvelle bobine de fil de coupe comme expliqué ci-dessus.
- ◆ Alignez les languettes sur le couvercle de la bobine avec les échancrures dans la protection.
- ◆ Enfoncez le couvercle sur le support jusqu'à ce qu'il se mette en place avec un clic sec.
- ◆ Si le fil de coupe dépasse la lame coupe fil, coupez-le afin qu'il atteigne juste la lame.

Si l'alimentation automatique de fil ne fonctionne toujours pas, essayez les suggestions suivantes :

- ◆ Nettoyez soigneusement le couvercle de la bobine et le boîtier.
- ◆ Retirez la bobine et vérifiez que la gâchette bouge librement.
- ◆ Retirez la bobine et déroulez le fil de coupe, puis enroulez-le à nouveau proprement comme expliqué ci-dessus. Remettez la bobine en place comme expliqué.

## Protection de l'environnement



Black & Decker fournit un dispositif permettant de recycler les produits Black & Decker lorsqu'ils ont atteint la fin de leur cycle de vie. Ce service est gratuit. Pour pouvoir profiter de ce service, veuillez retourner votre produit à un réparateur agréé qui se chargera de le collecter pour nous.

Pour connaître l'adresse du réparateur agréé le plus proche de chez vous, contactez le bureau Black & Decker à l'adresse indiquée dans ce manuel. Vous pourrez aussi trouver une liste des réparateurs agréés de Black & Decker et de plus amples détails sur notre service après-vente sur le site Internet à l'adresse suivante : [www.2helpU.com](http://www.2helpU.com).

### Caractéristiques techniques

	GL680	GL690
Puissance absorbée	W 500	630
Vitesse à vide	min <sup>-1</sup> 8500/10000	8700/10300
Poids	kg 2.6	2.9

### Déclaration de conformité CE

#### GL680/GL690

Black & Decker déclare que ces produits sont conformes à : 98/37/EC, 89/336/EEC, 73/23/EEC, EN 60335, EN 55014, EN 61000, 2000/14/EC, Coupe bordures, L < 50 cm

Annex VIII, No. 0086

B.S.I., HP2 4SQ, Royaume Uni

Niveau de pression acoustique, mesuré suivant la norme 2000/14/EC:

$L_{pA}$  (pression sonore) : 82 dB(A),  $L_{WA}$  (puissance acoustique) 95 dB(A),  $L_{WA}$  (garanti) 96 dB(A)

Niveau de vibration main/bras selon la norme EN 786: < 2.5 m/s<sup>2</sup>

Kevin Hewitt  
Directeur Ingénierie Client  
Spennymoor, County Durham DL16 6JG,  
Royaume Uni  
01-10-2002

## Garantie

Black & Decker est confiant dans la qualité de ses produits et vous offre une garantie très étendue. Ce certificat de garantie est un document supplémentaire et ne peut en aucun cas se substituer à vos droits légaux. La garantie est valable sur tout le territoire des Etats Membres de l'Union Européenne et de la Zone de Libre Echange Européenne.

Si un produit Black & Decker s'avère défectueux en raison de matériaux en mauvaises conditions, d'une erreur humaine, ou d'un manque de conformité dans les 24 mois suivant la date d'achat, Black & Decker garantit le remplacement des pièces défectueuses, la réparation des produits usés ou cassés ou remplace ces produits à la convenance du client, sauf dans les circonstances suivantes :

- ◆ Le produit a été utilisé dans un but commercial, professionnel, ou a été loué.
- ◆ Le produit a été mal utilisé ou avec négligence.
- ◆ Le produit a subi des dommages à cause d'objets étrangers, de substances ou à cause d'accidents.
- ◆ Des réparations ont été tentées par des techniciens ne faisant pas partie du service technique de Black & Decker.

Pour avoir recours à la garantie, il est nécessaire de fournir une preuve d'achat au vendeur ou à un réparateur agréé. Pour connaître l'adresse du réparateur agréé le plus proche de chez vous, contactez le bureau Black & Decker à l'adresse indiquée dans ce manuel. Vous pourrez aussi trouver une liste des réparateurs agréés de Black & Decker et de plus amples détails sur notre service après-vente sur le site Internet à l'adresse suivante : **[www.2helpU.com](http://www.2helpU.com)**.

## Uso previsto

Il tosaerba Black & Decker GL680 / GL690 è stato progettato per tosare e rifinire i bordi dei prati e per tagliare l'erba in spazi ristretti. Questo utensile è stato progettato esclusivamente per il mercato di consumo.

## Precauzioni di sicurezza

- ◆ **Attenzione!** Quando si impiegano apparecchi alimentati elettricamente, per ridurre il rischio di incendio, di scosse elettriche e infortuni occorre seguire sempre delle precauzioni di sicurezza di base, fra cui le seguenti:
  - ◆ Prima di adoperare la macchina, leggere attentamente le istruzioni di questo manuale;
  - ◆ Prima di mettere in funzione la macchina, apprendere le procedure di spegnimento in caso di emergenza;
  - ◆ L'utilizzo previsto è quello descritto in questo manuale. L'uso di accessori o attrezzature diversi o l'impiego della presente macchina per scopi diversi da quelli indicati nel presente manuale d'uso comportano il rischio di infortuni;
  - ◆ Conservare questo manuale di istruzioni per successive consultazioni.

## Area di lavoro

- ◆ Non esporre la macchina all'azione della pioggia. Non usare la macchina in presenza di umidità.
- ◆ Usare la macchina solo alla luce naturale oppure con una buona illuminazione artificiale.

## Protezione personale

- ◆ Indossare scarpe robuste o scarponi per proteggere i piedi. Non azionare la macchina se si indossano sandali aperti o a piedi scalzi.
- ◆ Indossare pantaloni a gamba lunga per proteggere le gambe.

## Uso dell'apparecchio

- ◆ Prima di collegare la macchina alla presa, verificare che sia spenta.
- ◆ Essere sempre vigili. Prestare attenzione a quanto si sta facendo e fare uso di buon senso.
- ◆ Non utilizzare la macchina quando si è stanchi.
- ◆ Se la macchina inizia a vibrare in modo anormale, spegnerla ed estrarre la spina dalla presa. Attendere che le parti rotanti si fermino e ispezionarla per rilevare eventuali danni o parti allentate.
- ◆ Non tirare mai il cavo per estrarlo dalla presa. Mantenere il cavo lontano da fonti di calore, olio e spigoli taglienti.
- ◆ Se il cavo di alimentazione è stato danneggiato durante l'uso, spegnere la macchina ed estrarre immediatamente la spina dalla rete di alimentazione. Non toccare il cavo di alimentazione prima di scollegarlo dall'alimentatore.

## Sicurezza altrui

- ◆ Vietare l'uso della macchina ai bambini e agli adulti che non hanno letto il presente manuale d'istruzioni.
- ◆ Non permettere a bambini, altre persone o animali di avvicinarsi alla zona di lavoro, toccare la macchina o il cavo di alimentazione.
- ◆ Ricordare che l'operatore è responsabile dell'esposizione di altre persone o della loro proprietà a eventuali pericoli o incidenti.

## Dopo l'uso

- ◆ Spegnerla la macchina, estrarre la spina dalla presa e verificare che le parti mobili si siano bloccate prima di lasciare la macchina incustodita e prima di sostituirla, pulirla o ispezionarne qualsiasi componente.
- ◆ Quando non è in funzione, l'apparecchio deve essere conservato in un luogo asciutto e non accessibile ai bambini.

## Ispezione e riparazioni

- ◆ Prima dell'uso, verificare che non vi siano componenti danneggiati o difettosi. Controllare se ci sono parti non allineate o parti mobili con gioco, componenti rotti, danni alle protezioni o agli interruttori e qualsiasi altra condizione che possa incidere sul funzionamento della macchina.
- ◆ Non usare l'apparecchio se presenta elementi danneggiati o difettosi. e se non è possibile accenderla e spegnerla mediante l'interruttore.
- ◆ Non usare mai la macchina se una protezione o una copertura sono danneggiate o mancano.
- ◆ Accertare che la macchina funzioni come previsto e che venga impiegata per lo scopo per cui è stato progettata.
- ◆ Eventuali elementi difettosi o danneggiati devono essere sostituiti o riparati da un tecnico autorizzato.
- ◆ Prima dell'uso, controllare il cavo di alimentazione per rilevare eventuali segni di danni, invecchiamento e usura.
- ◆ Non usare la macchina se il cavo di alimentazione è danneggiato o difettoso.
- ◆ Se il cavo di alimentazione è danneggiato, per evitare situazioni pericolose è necessario affidarne la sostituzione a un tecnico autorizzato.
- ◆ Non tentare mai di smontare o sostituire componenti diversi da quelli indicati nel presente manuale.

## Sicurezza elettrica



Il doppio isolamento di cui è provvisto l'utensile rende superfluo il filo di terra. Controllare sempre che la tensione di alimentazione corrisponda a quella indicata sulla targhetta.

## Istruzioni supplementari di sicurezza per il tosaerba

Sulla macchina sono visibili i seguenti simboli di avvertenza:



Prima dell'uso leggere il presente manuale.



Indossate sempre occhiali di protezione quando fate funzionare questo utensile.



Non consentire a persone o animali di avvicinarsi a meno di 6 m dall'area di taglio.



Non esporre la macchina alla pioggia o a condizioni di alta umidità.



Non adoperare il filo per uso gravoso per tosare o rifinire i bordi.

5. Impugnatura secondaria
6. Pomo dell'impugnatura
7. Pulsante di regolazione
8. Ganci per riporre il cavo
9. Alloggiamento del motore
10. Protezione
11. Lama del filo tosatore (v. fig. F)
12. Alloggiamento bobina
13. Filo di taglio
14. Vano per riporre il filo
15. Tubo
16. Alloggiamento per riporre la bobina

## Montaggio

**Attenzione!** Prima del montaggio verificare che l'utensile sia spento e che la spina sia disinserita dalla presa.

### Installazione del riparo (fig. A)

- ◆ Estrarre la vite (17) dalla protezione (10).
- ◆ Mettere il riparo sull'utensile, come illustrato.
- ◆ Premere con decisione la protezione fino a farla scattare in posizione.
- ◆ Bloccare la protezione con la vite.

**Attenzione!** Non usare mai l'utensile se la protezione non è inserita correttamente.

### Installazione dell'impugnatura secondaria (fig. B)

- ◆ Collocare l'impugnatura (5) sull'utensile, come illustrato.
- ◆ Regolare l'impugnatura nella posizione che risulta più comoda. Utilizzare i contrassegni come guida.
- ◆ Inserire il bullone (6) attraverso l'impugnatura secondaria e quella principale.
- ◆ Avvitare il bullone nel lato più lontano dell'impugnatura secondaria. Non stringere eccessivamente il bullone.

### Conservazione della bobina non utilizzata (fig. C)

L'attrezzo è dotato di due sistemi di taglio:

- ◆ Reflex plus: alimentazione automatica a doppio filo per operazioni leggere di tosatura e rifinitura dei bordi;
  - ◆ HDL: sistema di taglio per aree con vegetazione più folta.
- Il sistema di taglio che non viene utilizzato può essere riposto nell'alloggiamento apposito (16).
- ◆ Allineare le linguette della testa di taglio con le fessure (28) sul lato inferiore dell'impugnatura.
  - ◆ Spingere la testa di taglio nell'impugnatura finché non si blocca saldamente in posizione.

### Conservazione del filo di taglio per servizio gravoso (fig. C)

- ◆ L'unità è munita di diversi componenti di ricambio per il filo di taglio per servizio gravoso.

## Funzioni

Sull'utensile sono presenti tutte le seguenti funzioni, o alcune di esse.

1. Interruttore di accensione (on /off) a grilletto
2. Impugnatura
3. Fermacavo
4. Ingresso alimentazione

- ◆ I componenti extra del filo di taglio per servizio gravoso possono essere riposti nella cavità dell'impugnatura (14).

### Sblocco del filo di taglio

Durante il trasporto, il filo di taglio è fissato all'alloggiamento della bobina.

- ◆ Rimuovere il nastro che ferma il filo di taglio (13) all'alloggiamento della bobina (12).

### Installazione sistema HDL (fig. G e L)

Il tagliasepi è fornito con installata la bobina Reflex plus. Per installare il sistema di taglio HDL, procedere come segue:

- ◆ Estrarre la spina dalla presa di corrente.
- ◆ Tenere premute le linguette (18) e sollevare il coperchio della bobina (19) dall'alloggiamento (12) (fig. G).
- ◆ Verificare che il filo per il taglio gravoso sia installato correttamente nella testa di taglio per servizio gravoso, come descritto nel capitolo sulla manutenzione, al paragrafo "Montaggio di un nuovo filo di taglio" (v. fig. L).
- ◆ Allineare le linguette della testa di taglio con le fessure (22) sull'alloggiamento (fig. G).
- ◆ Spingere nell'alloggiamento la testa di taglio fino a bloccarla saldamente in posizione.

### Collegamento dell'utensile alla presa di corrente

- ◆ Connettere all'ingresso dell'alimentazione (4) la femmina di un cavo di lunghezza adatta.
- ◆ Infilare il cavo nell'occhiello (3).
- ◆ Inserire la spina dell'alimentazione principale in una presa di alimentazione di rete.

**Attenzione!** La prolunga deve essere idonea per uso esterno.

### Uso

**Attenzione!** Lasciare che l'utensile lavori al suo ritmo, senza sovraccaricarlo.

### Regolazione dell'utensile sulla funzione di tosatura o rifinitura dei bordi (fig. D, E & F)

L'utensile può essere impiegato per tosare l'erba, come mostra la fig. D, oppure per pareggiare l'erba che fuoriesce dai bordi di prati e fioriere, come mostra la fig. E.

**Attenzione!** Non adoperare il sistema HDL per rifinire i bordi.

#### Funzione di tosatura (fig. D & F)

Per tosare l'erba, la testa tosatrice deve trovarsi sulla posizione indicata nella fig. D. In caso contrario:

- ◆ Premere il pulsante di regolazione (7).
- ◆ Far ruotare la testa (9) mentre si rilascia il pulsante.
- ◆ Quando la testa è in posizione, il pulsante si blocca.

Nota: la testa ruota in un'unica direzione.

#### Funzione di rifinitura bordi (fig. E & F)

Per la rifinitura dei bordi, la testa tosatrice deve trovarsi nella posizione mostrata nella fig. E. In caso contrario:

- ◆ Premere il pulsante di regolazione (7).
- ◆ Far ruotare la testa (9) mentre si rilascia il pulsante.
- ◆ Quando la testa è in posizione, il pulsante si blocca.

Nota: la testa ruota in un'unica direzione.

**Attenzione!** Non adoperare la linea per uso gravoso per rifinire i bordi.

#### Regolazione dell'altezza dell'attrezzo (fig. F)

Questo attrezzo è munito di meccanismo telescopico che consente di regolarne l'altezza in tre posizioni diverse.

Per regolare l'altezza, procedere come segue:

- ◆ Premere il pulsante di regolazione (7).
- ◆ Con delicatezza, spingere o tirare il tubo (15) per inserirlo / estrarlo dall'alloggiamento del motore (9) fino a regolarlo sull'altezza desiderata e rilasciare il pulsante.
- ◆ Quando il tubo è in posizione, il pulsante si blocca.

#### Accensione e spegnimento

- ◆ Per accendere l'utensile, premere l'interruttore a grilletto (1).
- ◆ Per spegnere l'utensile, rilasciare l'interruttore a grilletto.

**Attenzione!** Non tentare mai di bloccare l'interruttore a grilletto in posizione di accensione.

### Consigli d'uso

#### Norme generali

- ◆ Per ottenere un taglio ottimale, tosare soltanto l'erba secca.

#### Tosatura

- ◆ Sostenere l'utensile come mostrato nella fig. D.
- ◆ Fare oscillare con delicatezza la tosatrice, da un lato all'altro.
- ◆ Quando si tosa erba alta, procedere per gradi, partendo dalla cima. Fare piccoli tagli.
- ◆ Tenere l'utensile lontano da oggetti duri e piante delicate.
- ◆ Se la velocità dell'utensile diminuisce, ridurre il carico.

#### Rifinitura dei bordi

Risultati di taglio ottimali vengono raggiunti su bordi con profondità superiore a 50 mm.

- ◆ Non adoperare l'utensile per creare dei bordi. Per creare i bordi è opportuno adoperare l'apposita pala.
- ◆ Guidare l'utensile come illustrato nella fig. E.
- ◆ Per eseguire un taglio più accurato, inclinare lievemente l'utensile.

## Manutenzione

Questo utensile è stato progettato per funzionare a lungo con un minimo di manutenzione. La continuità e l'alto livello delle prestazioni dipendono dall'adeguata cura dell'utensile e dalla pulizia sistematica.

**Attenzione!** Prima di eseguire qualsiasi manutenzione, spegnere l'utensile e disinserire la spina dalla presa.

- ◆ Le prese di ventilazione dell'utensile vanno pulite regolarmente con un pennello morbido o un panno asciutto.
- ◆ Pulire regolarmente il filo di taglio e la bobina con una spazzola soffice o con un panno asciutto.
- ◆ Usare regolarmente un raschietto senza punta per togliere l'erba e la sporcizia dalla superficie inferiore della protezione.

### Inserimento di una nuova bobina di filo di taglio (fig. G e H)

I ricambi delle bobine per il filo di taglio sono disponibili presso il concessionario Black & Decker (n. cat. A6481). Sono disponibili anche delle cassette complete con una bobina di filo di taglio (n. cat. 6488).

- ◆ Estrarre la spina dalla presa di corrente.
- ◆ Tenere premute le linguette (18) e sollevare il coperchio della bobina (19) dall'alloggiamento (12) (fig. G).
- ◆ Estrarre la bobina vuota (20) dal relativo coperchio.
- ◆ Rimuovere ogni traccia di sporcizia ed erba dal coperchio della bobina e dall'alloggiamento.
- ◆ Inserire la nuova bobina nella protuberanza del coperchio della bobina. Ruotare leggermente la bobina, sino ad alloggiarla.
- ◆ Sganciare l'estremità di uno dei fili di taglio e guidare il filo in uno degli occhielli (21) (fig. H). Il filo deve sporgere di circa 11 cm dal coperchio della bobina.
- ◆ Sganciare l'estremità dell'altro filo di taglio e guidare il filo nell'altro occhiello. Il filo deve sporgere di circa 11 cm dal coperchio della bobina.
- ◆ Allineare le linguette (18) del coperchio della bobina con le fessure (22) dell'alloggiamento (fig. G).
- ◆ Spingere il coperchio nell'alloggiamento fino a bloccarlo in posizione.

**Attenzione!** Se i fili di taglio fuoriescono al di là della lama di tosatura (11), tagliarli in modo che raggiungano solo la lama.

### Avvolgimento di filo nuovo su una bobina vuota fig. I, J e K)

È possibile avvolgere del filo di taglio nuovo su una bobina vuota. Le confezioni di ricambio del filo di taglio sono disponibili presso il concessionario Black & Decker (n. cat. A6440).

- ◆ Rimuovere la bobina vuota dall'utensile, come descritto in precedenza.
- ◆ Rimuovere dalla bobina eventuali residui di filo di taglio.
- ◆ Prima avvolgere il nuovo filo nella parte più alta della bobina.
  - Passare 2 cm di filo di taglio in uno dei fori della sezione superiore della bobina, come mostrato.

- Avvolgere il filo di taglio sulla bobina, nel verso della freccia. Assicurarsi che il filo si avvolga ordinatamente e a strati successivi. Non far compiere al filo percorsi trasversali.
- Il filo di taglio che si sta avvolgendo deve essere tagliato quando raggiunge le tacche (24).
- Bloccare temporaneamente il filo nelle fessure (23) su un lato della bobina, come mostrato.
- ◆ Ripetere la procedura precedente per il secondo filo di taglio sulla sezione inferiore della bobina. Bloccare il filo nelle fessure inutilizzate (23).
- ◆ Per inserire la bobina nell'attrezzo, procedere come descritto sopra. Non dimenticare di liberare il filo di taglio dalle aperture (23) in cui è stato temporaneamente fermato.

**Attenzione!** Usare esclusivamente il filo adeguato della Black & Decker. Verificare che il filo di taglio sia presente in entrambe le sezioni della bobina (fig. K).

### Installazione di un nuovo filo di taglio HDL (fig. G e L)

I ricambi delle bobine per il filo di taglio HDL sono disponibili presso il concessionario Black & Decker (n. cat. A6487).

Per installare il nuovo filo di taglio, procedere come segue:

- ◆ Estrarre la spina dalla presa di corrente.
- ◆ Tenere premute le linguette (18) e asportare la testa di taglio (25) dall'alloggiamento (12) (fig. G).
- ◆ Smontare il componente usato del filo dalla testa di taglio.
- ◆ Inserire un nuovo filo (26) attraverso i fori della testa di taglio.
- ◆ Mettere il puntale centrale (27) nella posizione indicata.
- ◆ Allineare le linguette della testa di taglio le fessure (22) sull'alloggiamento (fig. G).
- ◆ Spingere nell'alloggiamento la testa di taglio per servizio gravoso fino a bloccarla saldamente in posizione.

### Individuazione guasti

Se l'utensile non sembra funzionare correttamente, procedere come segue. Se il problema persiste, contattare il servizio di assistenza tecnica della Black & Decker.

**Attenzione!** Prima di procedere, spegnere l'attrezzo ed estrarre la spina dalla presa di alimentazione.

#### L'utensile funziona lentamente

- ◆ Controllare che l'alloggiamento della bobina ruoti liberamente. Se necessario pulirlo accuratamente.
- ◆ Controllare che il filo di taglio non fuoriesca per più di 11 cm dall'alloggiamento della bobina. In caso contrario, tagliare il filo in modo che raggiunga solo la lama di tosatura.

#### L'alimentazione automatica del filo non funziona

- ◆ Tenere premute le linguette e togliere il coperchio della bobina dall'alloggiamento.



- ◆ Spingere il filo di taglio sino a che fuoriesce dall'alloggiamento di 11 cm. Se non c'è sufficiente filo nella bobina, montare una nuova bobina di filo di taglio, come descritto in precedenza.
- ◆ Allineare le linguette del coperchio della bobina con le fessure dell'alloggiamento.
- ◆ Spingere il coperchio nell'alloggiamento fino a bloccarlo in posizione.
- ◆ Se il filo di taglio fuoriesce oltre la lama di tosatura, tagliarlo in modo che raggiunga solo la lama.

Se l'alimentazione automatica del filo continua a non funzionare, o se la bobina è inceppata, procedere come indicato di seguito:

- ◆ Pulire accuratamente l'alloggiamento e il coperchio della bobina.
- ◆ Estrarre la bobina e controllare se la leva può muoversi senza ostacoli.
- ◆ Togliere la bobina e srotolare il filo di taglio, poi avvolgere nuovamente il filo, come descritto in precedenza. Sostituire la bobina come indicato.

## Protezione dell'ambiente



Black & Decker offre ai suoi clienti la possibilità di riciclare i prodotti Black & Decker che hanno esaurito la loro vita di servizio. Il servizio viene offerto gratuitamente. Per utilizzarlo, è sufficiente restituire il prodotto a qualsiasi tecnico autorizzato, incaricato della raccolta per conto dell'azienda.

Per individuare il tecnico autorizzato più vicino, rivolgersi alla sede Black & Decker locale, presso il recapito indicato nel presente manuale. Altrimenti un elenco completo di tutti i tecnici autorizzati Black & Decker e i dettagli completi sui contatti e i servizi post-vendita sono disponibili su Internet presso: [www.2helpU.com](http://www.2helpU.com).

## Dati tecnici

		GL680	GL690
Potenza assorbita	W	500	630
Velocità senza carico	min-1	8500/10000	8700/10300
Peso	kg	2.6	2.9

## Dichiarazione europea di conformità del macchinario

### GL680/GL690

Black & Decker dichiara che i presenti prodotti sono conformi a: 98/37/EC, 89/336/EEC, 73/23/EEC, EN 60335, EN 55014,

EN 61000, 2000/14/EC, Tosaerba, L < 50 cm

Annex VIII, No. 0086

B.S.I., HP2 4SQ, Regno Unito

Livello di rumorosità, dati ricavati in base alla norma 2000/14/EC:  
 $L_{pA}$  (pressione sonora): 82 dB(A),  $L_{WA}$  (potenza acustica) 95 dB(A),  $L_{WA}$  (garantito) 96 dB(A)

Il valore medio quadratico ponderato dell'accelerazione secondo EN 786: < 2.5 m/s<sup>2</sup>

Kevin Hewitt

Direttore tecnico prodotti di consumo  
 Spennymoor, County Durham DL16 6JG,  
 Regno Unito  
 01-10-2002

## Garanzia

Certa della qualità dei suoi prodotti, Black & Decker offre una garanzia eccezionale. Il presente certificato di garanzia è complementare ai diritti statutari e non li pregiudica in alcun modo. La garanzia è valida entro il territorio degli Stati membri dell'Unione Europea e dell'EFTA (European Free Trade Area).

Se un prodotto Black & Decker risulta difettoso per qualità del materiale, della costruzione o per mancata conformità entro 24 mesi dalla data di acquisto, Black & Decker garantisce la sostituzione delle parti difettose, provvede alla riparazione dei prodotti se ragionevolmente usati oppure alla loro sostituzione, in modo da ridurre al minimo il disagio del cliente a meno che:

- ◆ Il prodotto non sia stato destinato ad usi commerciali, professionali o al noleggio;
- ◆ Il prodotto non sia stato usato in modo improprio o scorretto;
- ◆ Il prodotto non abbia subito danni causati da oggetti o sostanze estranee oppure incidenti;
- ◆ Il prodotto non abbia subito tentativi di riparazione non effettuati da tecnici autorizzati né dall'assistenza Black & Decker.

Per attivare la garanzia è necessario esibire la prova comprovante l'acquisto al venditore o al tecnico autorizzato. Per individuare il tecnico autorizzato più vicino, rivolgersi alla sede Black & Decker locale, presso il recapito indicato nel presente manuale. Altrimenti un elenco completo di tutti i tecnici autorizzati Black & Decker e i dettagli completi sui contatti e i servizi post-vendita sono disponibili su Internet presso: [www.2helpU.com](http://www.2helpU.com).

## Gebruik volgens bestemming

Uw Black & Decker strimmer GL680/690 is ontworpen voor het strimmen en afwerken van graskanten alsmede voor het strimmen van gras in besloten ruimtes. Deze machine is uitsluitend bedoeld voor consumentengebruik.

## Veiligheidsvoorschriften

- ◆ **Waarschuwing!** Bij het gebruik van elektrische apparaten dienen ter bescherming tegen brandgevaar, elektrische schok en letsel altijd gepaste veiligheidsmaatregelen in acht te worden genomen, waaronder de volgende veiligheidsvoorschriften.
- ◆ Lees de gehele gebruiksaanwijzing aandachtig door voordat u de machine gaat gebruiken.
- ◆ Zorg ervoor dat u voor gebruik weet hoe u de machine in geval van nood uitschakelt.
- ◆ Het gebruik volgens bestemming is beschreven in deze handleiding. Gebruik ter voorkoming van lichamelijk letsel uitsluitend de in deze gebruiksaanwijzing aanbevolen accessoires en hulpstukken. Gebruik de machine uitsluitend volgens bestemming.
- ◆ Bewaar deze instructies zorgvuldig!

## Werkomgeving

- ◆ Stel de machine niet bloot aan regen. Gebruik de machine niet in een vochtige of natte omgeving.
- ◆ Gebruik de machine alleen bij daglicht of goede kunstmatige verlichting.

## Persoonlijke bescherming

- ◆ Draag stevige schoenen of laarzen om uw voeten te beschermen. Gebruik de machine niet met open sandalen of blootsvoets.
- ◆ Draag een lange broek om uw benen te beschermen.

## Gebruik van de machine

- ◆ Wees ervan verzekerd dat de machine is uitgeschakeld voordat u de stekker in het stopcontact steekt.
- ◆ Blijf oplettend. Houd uw aandacht bij uw werk. Ga met verstand te werk.
- ◆ Gebruik de machine niet als u niet geconcentreerd bent.
- ◆ Als de machine heftig begint te vibreren, schakel hem dan uit en neem de stekker uit het stopcontact. Laat roterende onderdelen tot stilstand komen alvorens de machine op beschadigingen en losgeraakte onderdelen te controleren.
- ◆ Trek niet aan de kabel om de stekker uit het stopcontact te verwijderen. Houd het snoer uit de buurt van warmtebronnen, olie en scherpe randen.
- ◆ Als het netsnoer tijdens gebruik beschadigd raakt, schakel de machine dan direct uit en neem de stekker uit het stopcontact. Raak het netsnoer niet aan voordat u de stekker uit het stopcontact heeft genomen.

## Veiligheid van anderen

- ◆ Verbied kinderen en personen die niet van de inhoud van deze handleiding op de hoogte zijn het gebruik van deze machine.
- ◆ Houd kinderen, bezoekers en dieren buiten het werkgebied en laat ze de machine of de elektriciteitskabel niet aanraken.
- ◆ Onthoud dat de gebruiker verantwoordelijk kan worden gesteld voor ongelukken of gevaren aan andere mensen of hun eigendommen.

## Na gebruik

- ◆ Schakel de machine uit, neem de stekker uit het stopcontact en vergewis u ervan dat de bewegende delen tot stilstand zijn gekomen alvorens u de machine zonder toezicht achterlaat of enig onderdeel van de machine verwisselt, reinigt of controleert.
- ◆ Indien niet in gebruik, dient de machine te worden opgeborgen op een droge plaats. Kinderen mogen geen toegang hebben tot opgeborgen apparaten.

## Inspectie en reparatie

- ◆ Controleer de machine voor gebruik op beschadigde of defecte onderdelen. Controleer of alle bewegende delen correct gemonteerd zijn, of er geen onderdelen gebroken zijn, of er geen beschermkappen en schakelaars beschadigd zijn en of er andere gebreken zijn die invloed op de werking van de machine zouden kunnen hebben.
- ◆ Gebruik de machine niet als enig onderdeel beschadigd of defect is. Gebruik de machine niet als de aan/uit-schakelaar niet werkt.
- ◆ Gebruik de machine nooit als een beveiliging of afdekking beschadigd is of ontbreekt.
- ◆ Vergewis u er van dat de machine correct werkt.
- ◆ Defecte onderdelen dienen door een erkend servicecentrum te worden gerepareerd of vervangen.
- ◆ Controleer voor gebruik het netsnoer op beschadiging, veroudering en slijtage.
- ◆ Gebruik de machine niet als het netsnoer beschadigd of defect is.
- ◆ Indien het netsnoer beschadigd is, dient het ter voorkoming van gevaren te worden vervangen door een erkend servicecentrum.
- ◆ Probeer nooit om enig onderdeel anders dan in deze handleiding beschreven te verwijderen of te vervangen.

## Elektrische veiligheid



Deze machine is dubbel geïsoleerd; een aardaansluiting is daarom niet noodzakelijk. Controleer altijd of uw netspanning overeenkomt met de waarde op het typeplaatje.

## Aanvullende veiligheidsinstructies voor strimmers

De machine is voorzien van de volgende pictogrammen:



Lees de handleiding voordat u met het product gaat werken.



Draag een veiligheidsbril als u deze machine bedient.



Houd mensen en dieren tenminste 6 m uit de buurt van de snijdraad.



Stel de machine niet bloot aan regen.



Gebruik de heavy duty-lijn niet voor graskantsnijden.

- ◆ Controleer voordat u de machine in gebruik neemt of er geen stokjes, steentjes, draad en andere objecten op het te maaien gebied liggen.
- ◆ Gebruik de machine alleen in de juiste positie, met het snijdraad in de buurt van de grond (zie afbeeldingen). Schakel de machine nooit in een andere positie in.
- ◆ Schakel de machine nooit in als uw handen of voeten zich in de buurt van de snijdraad bevinden.
- ◆ Raak nooit de snijdraad aan terwijl de machine is ingeschakeld.
- ◆ Ga niet te werk op steile taluds. Zorg altijd voor een juiste, stabiele houding. Houd er rekening mee dat pas gemaaid gras vochtig en glad is.
- ◆ Ga voorzichtig te werk bij graskanten en grindpaden en -wegen, omdat stenen en grond door de snijdraad kunnen worden weggeslingerd.
- ◆ Zet de machine niet neer voordat de snijdraad volledig tot stilstand is gekomen.
- ◆ Gebruik uitsluitend het geschikte type Black & Decker-snijdraad. Gebruik nooit snijdraad van metaal of vislijn.
- ◆ Breng na het verlengen van de snijdraad de machine altijd weer in de normale stand terug alvorens hem in te schakelen.
- ◆ Zorg dat het netsnoer uit de buurt van het snijdraad wordt gehouden. Zorg dat u altijd weet waar het snoer zich bevindt.

## Onderdelen

Al naar gelang de uitvoering beschikt deze machine over de volgende onderdelen.

1. Trekker hendel (aan/uit-schakelaar)
2. Handgreep
3. Netsnoerklem
4. Netaansluiting
5. Extra handgreep

6. Instelknop handgreep
7. Instelknop
8. Opberghaken netsnoer
9. Motorhuis
10. Beschermkap
11. Snijmes (zie fig. F)
12. Spoelbehuizing
13. Snijdraad
14. Opbergruimte voor snijdraad
15. Buis
16. Opbergruimte voor spoel

## Montage

**Waarschuwing!** Zorg vóór aanvang van de montage dat de machine is uitgeschakeld en de netstekker van het lichtnet is losgekoppeld.

### Aanbrengen van de beschermkap (fig. A)

- ◆ Verwijder de schroef (17) uit de beschermkap (10).
- ◆ Plaats de beschermkap zoals afgebeeld op de machine.
- ◆ Duw de beschermkap stevig aan totdat hij op zijn plaats klikt.
- ◆ Bevestig de beschermkap met de schroef.

**Waarschuwing!** Gebruik de machine nooit zonder dat de beschermkap naar behoren is aangebracht.

### Aanbrengen van de tweede handgreep (fig. B)

- ◆ Plaats de handgreep (5) op de machine zoals afgebeeld.
- ◆ Stel de handgreep in op de meest comfortabele stand. Gebruik de merktekens als leidraad.
- ◆ Doe de bout (6) door de tweede handgreep en de hoofdhandgreep.
- ◆ Schroef de bout in de andere kant van de tweede handgreep. Draai de bout niet te stevig vast.

### Opbergen van de niet gebruikte spoel (fig. C)

Het apparaat heeft twee snijssystemen:

- ◆ **Reflex plus:** Twee draden systeem met automatische draadtoevoer voor licht strimmen en graskantsnijden.
- ◆ **HDL:** Heavy duty-draad snijstelsysteem voor meer overgroeide plekken.

Het snijstelsysteem dat niet wordt gebruikt kan worden opgeborgen in de daarvoor aangebrachte uitsparing (16)

- ◆ Breng de lippen op de snijkop in lijn met de uitsnijdingen (28) aan de onderkant van de handgreep.
- ◆ Druk de snijkop in de handgreep totdat deze goed vastklikt.

### Opbergen van de heavy duty-snijdraad (fig. C)

- ◆ Het apparaat wordt geleverd met enkele reservestukken heavy duty-snijdraad.
- ◆ De extra stukken heavy duty-snijdraad kunnen netjes worden opgeborgen in de uitsparing in de handgreep (14).

## Losmaken van het snijdraad

Voor transport wordt het snijdraad aan de spoelbehuizing vastgeplakt.

- ◆ Verwijder de tape waarmee het snijdraad (13) aan de spoelbehuizing (12) is vastgeplakt.

## Aanbrengen van het heavy duty-snijdraad (fig. G & L)

Uw strimmer wordt geleverd met de Reflex plus spoel gemonteerd. Om het HDL heavy duty-snijsysteem te monteren, gaat u als volgt te werk:

- ◆ Verwijder de stekker uit het stopcontact.
- ◆ Houd de lippen (18) ingedrukt en verwijder het spoeldeksele (19) van de behuizing (12) (fig. G).
- ◆ Zorg dat een stuk heavy duty-snijdraad correct is aangebracht in de zware snijkop, zoals beschreven in "Onderhoud – Aanbrengen van een nieuw stuk heavy duty-snijdraad" (zie fig. L).
- ◆ Breng de lippen op de zware snijkop in lijn met de uitsnijdingen (22) in de behuizing (fig. G).
- ◆ Druk de zware snijkop op de behuizing totdat deze netjes op zijn plaats klikt.

## Aansluiten van de machine op het elektriciteitsnet

- ◆ Sluit een geschikt verlengsnoer aan op de metaansluiting (4).
- ◆ Haal het snoer door de trekontlasting (3).
- ◆ Steek de stekker in een stopcontact.

**Waarschuwing!** Het verlengsnoer dient geschikt te zijn voor gebruik buitenshuis.

## Gebruik

**Waarschuwing!** Laat de machine op haar eigen tempo werken. Niet overbelasten.

## Instellen van de machine voor strimmen of graskantsnijden (fig. D, E & F)

De machine kan worden gebruikt voor strimmen zoals afgebeeld in fig. D, of voor graskantsnijden om overhangend gras langs graskanten en bloembedden te strimmen zoals afgebeeld in fig. E.

**Waarschuwing!** Gebruik het heavy duty-snijsysteem niet voor graskantsnijden.

## Strimmen (fig. D & F)

Voor strimmen staat de strimkop in de stand zoals afgebeeld in fig. D. Indien dit niet het geval is:

- ◆ Druk de instelknop in (7).
- ◆ Verdraai de kop (9), terwijl u de instelknop loslaat.
- ◆ Zodra de kop in positie is, zal de knop vastklikken.

Opmerking: De kop kan slechts in één richting draaien.

## Graskantsnijden (fig. E & F)

Voor graskantsnijden staat de strimkop in de stand zoals afgebeeld in fig. E. Indien dit niet het geval is:

- ◆ Druk de instelknop in (7).
- ◆ Verdraai de kop (9), terwijl u de instelknop loslaat.
- ◆ Zodra de kop in positie is, zal de knop vastklikken.

Opmerking: De kop kan slechts in één richting draaien.

**Waarschuwing!** Gebruik het heavy duty-snijsysteem niet voor graskantsnijden.

## De hoogte van het apparaat instellen (fig. F)

Deze machine heeft een uitschuifmechanisme waardoor u een comfortabele hoogte kunt instellen. Er zijn drie hoogteinstellingen. Ga als volgt te werk om de hoogte in te stellen:

- ◆ Druk de instelknop in (7).
- ◆ Trek de buis (15) voorzichtig in of uit het motorhuis (9) tot de gewenste hoogte, terwijl u de knop loslaat.
- ◆ Zodra de buis in positie is, zal de knop vastklikken.

## In- en uitschakelen

- ◆ Om de machine in te schakelen, knijpt u de trekkerhendel (1) in.
- ◆ Om de machine uit te schakelen, laat u de trekkerhendel los.

**Waarschuwing!** Probeer nooit om de trekkerhendel in de ingeschakelde stand te vergrendelen.

## Tips voor optimaal gebruik

### Algemeen

- ◆ Voor een optimaal resultaat kunt u het beste alleen droog gras bewerken.

### Strimmen

- ◆ Houd de machine vast zoals afgebeeld in fig. D.
- ◆ Zwaai de strimmer langzaam heen en weer.
- ◆ Ga bij het bewerken van lang gras laag voor laag te werk vanaf de bovenkant. Neem kleine stroken.
- ◆ Houd de machine uit de buurt van harde voorwerpen en fijne beplanting.
- ◆ Verminder de belasting als de machine langzamer begint te draaien.

### Graskantsnijden

De beste resultaten worden bereikt op kanten die dieper zijn dan 50 mm.

- ◆ Gebruik de machine niet voor het maken van kanten. Gebruik een spade om kanten te maken.
- ◆ Geleid de machine zoals afgebeeld in fig. E.
- ◆ Houd de machine een beetje schuin om een nauwkeurigere kant te snijden.

## Onderhoud

Uw machine is ontworpen om gedurende langere periode te functioneren met een minimum aan onderhoud.

Voortdurend tevreden gebruik is afhankelijk van correct onderhoud en regelmatig schoonmaken.

**Waarschuwing!** Zorg vóór aanvang van onderhoudswerkzaamheden dat de machine is uitgeschakeld en de netstekker van het lichtnet is losgekoppeld.

- ◆ Reinig regelmatig de ventilatieopeningen van uw machine met een zachte borstel of een droge doek.
- ◆ Reinig regelmatig het snijdraad en de spoel met een zachte borstel of een droge doek.
- ◆ Gebruik regelmatig een botte krabber om gras en vuil uit de beschermkap te verwijderen.

## Aanbrengen van een nieuwe draadspoel (fig. G & H)

Vervangende draadspoelen zijn verkrijgbaar bij uw Black & Decker-dealer (catalogusnr. A6441).

Complete cassettes met een draadspoel zijn eveneens verkrijgbaar (catalogusnr. A6488).

- ◆ Verwijder de stekker uit het stopcontact.
- ◆ Houd de lippen (18) ingedrukt en verwijder het spoeldeksel (19) van de behuizing (12) (fig. G).
- ◆ Verwijder de lege spoel (20) uit het spoeldeksel.
- ◆ Verwijder vuil en gras uit het spoeldeksel en de behuizing.
- ◆ Neem de nieuwe spoel en druk hem op de as in het spoeldeksel. Draai de spoel een beetje totdat hij vastzit.
- ◆ Haal het uiteinde van een van de snijdraden los en voer het draad door een van de ogen (21) (fig. H). Het draad dient ca. 11 cm uit het spoeldeksel te steken.
- ◆ Haal het uiteinde van de andere snijdraad los en voer het draad door het andere oog. Het draad dient ca. 11 cm uit het spoeldeksel te steken.
- ◆ Zorg ervoor dat de lippen (18) op de spoel overeenkomen met de uitsnijdingen (22) in de behuizing (fig. G.)
- ◆ Druk het deksel op de behuizing totdat het netjes op zijn plaats klikt.

**Waarschuwing!** Knip het snijdraad af als het verder dan het snijmes (11) uitsteekt zodat het draad het mes niet raakt.

## Winden van nieuwe draad op een lege spoel (fig. I, J & K)

U kunt nieuwe snijdraad op een lege spoel winden.

Vervangende snijdraad is verkrijgbaar bij uw Black & Decker-dealer (catalogusnr. A6440).

- ◆ Verwijder de lege spoel uit de machine zoals hierboven beschreven.
- ◆ Verwijder het oude snijdraad uit de spoel.
- ◆ Wind het nieuwe draad eerst op het bovenste gedeelte van de spoel:

- Voer 2 cm snijdraad in een van de gaten in het bovenste gedeelte van de spoel zoals afgebeeld.
- Wind het snijdraad op de spoel in de richting van de pijl. Zorg dat de draad netjes in lagen op de spoel wordt gewonden. Niet kriskras opwinden.
- Knip het snijdraad door zodra het opgewonden draad tot de uitsparingen (24) komt.
- Stop het draad tijdelijk in de sleuven (23) aan één kant van de spoel zoals afgebeeld.
- ◆ Herhaal de bovenstaande procedure voor het tweede snijdraad op het onderste gedeelte van de spoel. Stop het draad in de ongebruikte sleuven (23).
- ◆ Ga verder te werk zoals hierboven beschreven om de spoel op de machine aan te brengen. Vergeet niet om het snijdraad uit de sleuven (23) te verwijderen.

**Waarschuwing!** Gebruik uitsluitend het geschikte type Black & Decker-snijdraad. Zorg dat er op beide gedeeltes van de spoel snijdraad zit (fig. K).

## Aanbrengen van een nieuw stuk heavy duty-snijdraad (fig. G & L)

Vervangende stukken heavy duty-snijdraad zijn verkrijgbaar bij uw Black & Decker-dealer (catalogusnr. A6487). Om een nieuw stuk snijdraad aan te brengen, gaat u als volgt te werk:

- ◆ Verwijder de stekker uit het stopcontact.
- ◆ Houd de lippen (18) ingedrukt en verwijder de zware snijkop (25) van de behuizing (12) (fig. G).
- ◆ Verwijder het gebruikte stuk draad uit de zware snijkop.
- ◆ Voer een nieuw stuk draad (26) door de gaten in de zware snijkop.
- ◆ Plaats het middenbusje (27) in de aangegeven positie.
- ◆ Breng de lippen op de zware snijkop in lijn met de gaten (22) in de behuizing (fig. G).
- ◆ Druk de zware snijkop op de behuizing totdat deze netjes op zijn plaats klikt.

## Storingen verhelpen

Indien uw machine niet naar behoren functioneert, volg dan onderstaande instructies. Als hierdoor het probleem niet wordt opgelost, kunt u contact opnemen met uw plaatselijke Black & Decker servicecentrum.

**Waarschuwing!** Schakel voor de werkzaamheden het apparaat uit en neem de netstekker uit het stopcontact.

## Machine draait langzaam

- ◆ Controleer of de behuizing van de spoel vrij kan ronddraaien. Maak indien nodig de behuizing schoon.
- ◆ Controleer of het snijdraad niet meer dan 11 cm uitsteekt vanaf de behuizing van de spoel. Knip indien dit wel het geval is de draad af zodat hij niet het snijmes raakt.

**Automatische draadtoevoer werkt niet**

- ◆ Houd de lippen ingedrukt en verwijder het spoeldekseel van de behuizing.
- ◆ Trek aan het snijdraad totdat het 11 cm uitsteekt vanaf de behuizing. Plaats een nieuwe spoel met snijdraad (zie bovenstaande instructies) indien er onvoldoende snijdraad op de spoel is overgebleven.
- ◆ Houd de lippen op de draadspoel voor de uitsnijdingen in de behuizing.
- ◆ Druk het dekseel op de behuizing totdat het netjes op zijn plaats klikt.
- ◆ Knip de snijdraad af als hij verder dan het snijmes uitsteekt zodat de draad het mes niet raakt.

Indien de automatische draadtoevoer nog steeds niet werkt of de spoel vastzit, probeer dan de volgende suggesties:

- ◆ Reinig zorgvuldig het dekseel en de behuizing van de spoel.
- ◆ Verwijder de spoel en controleer of de hefboom vrij kan bewegen.
- ◆ Verwijder de spoel en wikkel de snijdraad af, wind het daarna weer netjes op de spoel zoals hierboven beschreven. Plaats de spoel terug volgens instructies.

**Milieu**



Black & Decker biedt de mogelijkheid tot recycleren van afgedankte Black & Decker producten. Deze service is kosteloos. Om gebruik van deze service te maken, dient u het product aan een van onze servicecentra te sturen, die voor ons de inzameling verzorgen.

U kunt het adres van het dichtstbijzijnde servicecentrum opvragen via de adressen op de achterzijde van deze handleiding. U kunt ook een lijst van onze servicecentra en meer informatie m.b.t. onze klantenservice vinden op het volgende Internet-adres: [www.2helpU.com](http://www.2helpU.com).

**Technische gegevens**

		GL680	GL690
Opgenomen vermogen	W	500	630
Onbelast toerental	min <sup>-1</sup>	8500/10000	8700/10300
Gewicht	kg	2.6	2.9

**EG verklaring van overeenstemming**

**GL680/GL690**

Black & Decker verklaart dat deze machines in overeenstemming zijn met: 98/37/EC, 89/336/EEC, 73/23/EEC, EN 60335, EN 55014, EN 61000, 2000/14/EC, Gras strimmer,

L < 50 cm

Annex VIII, No. 0086

B.S.I., HP2 4SQ, Verenigd Koninkrijk

Niveau van de geluidsdruk, gemeten volgens 2000/14/EC:  
 $L_{pA}$  (geluidsdruk): 82 dB(A),  $L_{WA}$  (geluidsvermogen) 95 dB(A),  
 $L_{WA}$  (gegarandeerd) 96 dB(A)

Gewogen kwadratische gemiddelde waarde van de versnelling, gemeten volgens EN 786: < 2.5 m/s<sup>2</sup>

Kevin Hewitt  
 Director of Consumer Engineering  
 Spennymoor, County Durham DL16 6JG,  
 Verenigd Koninkrijk  
 01-10-2002

**Garantie**

Black & Decker heeft vertrouwen in zijn producten en biedt een uitstekende garantie. Deze garantiebepalingen vormen een aanvulling op uw wettelijke rechten en beperken deze niet. De garantie geldt in de lidstaten van de Europese Unie en de Europese Vrijhandelsassociatie.

Mocht uw Black & Decker product binnen 24 maanden na datum van aankoop defect raken tengevolge van materiaal- of constructiefouten, dan garanderen wij de kosteloze vervanging van defecte onderdelen, de reparatie van het product of de vervanging van het product, tenzij:

- ◆ Het product is gebruikt voor handelsdoeleinden, professionele toepassingen of verhuurdoeleinden;
- ◆ Het product onoordeelkundig is gebruikt;
- ◆ Het product is beschadigd door invloeden van buitenaf of door een ongeval;
- ◆ Reparaties zijn uitgevoerd door anderen dan onze servicecentra of Black & Decker personeel.

Om een beroep op de garantie te doen, dient u een aankoopbewijs te overhandigen aan de verkoper of een van onze servicecentra. U kunt het adres van het dichtstbijzijnde servicecentrum opvragen via de adressen op de achterzijde van deze handleiding. U kunt ook een lijst van onze servicecentra en meer informatie m.b.t. onze klantenservice vinden op het volgende Internet-adres: [www.2helpU.com](http://www.2helpU.com).

## Uso previsto

Su motoguadaña Black & Decker GL680/GL 690 está diseñada para recortar y rematar bordes de césped y para cortar el césped en espacios reducidos. Esta herramienta está pensada únicamente para uso doméstico.

## Instrucciones de seguridad

- ◆ **¡Atención!** Cuando use herramientas eléctricas, debe seguir siempre las precauciones de seguridad básicas, incluidas las siguientes, a fin de reducir el riesgo de incendios, electrocución y lesiones personales.
- ◆ Lea atentamente el manual completo antes de utilizar el aparato.
- ◆ Antes de poner en marcha la herramienta, compruebe que sabe cómo desconectarla en caso de emergencia.
- ◆ En este manual se explica para qué uso está destinada la herramienta. El uso de otros accesorios, adaptadores, o la propia utilización de la herramienta en cualquier forma diferente de las recomendadas en este manual de instrucciones puede constituir un riesgo de lesiones a las personas.
- ◆ Mantenga a mano este manual para consultas posteriores.

## Área de trabajo

- ◆ No exponga la herramienta a la lluvia. No use la herramienta en condiciones de humedad.
- ◆ Utilice la herramienta sólo a la luz del día o con una buena iluminación artificial.

## Protección personal

- ◆ Lleve zapatos resistentes o botas para proteger sus pies. No trabaje con esta herramienta cuando tenga puestas sandalias en las que queden expuestos los dedos de los pies, ni cuando esté descalzo.
- ◆ Lleve pantalones largos para proteger sus piernas.

## Utilización del aparato

- ◆ Asegúrese de que el aparato esté apagado cuando lo enchufe.
- ◆ Esté siempre alerta. Mire lo que está haciendo. Use el sentido común.
- ◆ No maneje el aparato cuando está cansado.
- ◆ Si el aparato comenzara a vibrar de forma anormal, apáguelo y extraiga el enchufe de la toma de corriente. Espere hasta que se hayan detenido completamente las partes rotatorias, e inspeccione el aparato en búsqueda de piezas dañadas o flojas.
- ◆ Nunca tire del cable para desconectarlo del enchufe. Proteja el cable del calor, del aceite y de las aristas vivas.
- ◆ Si el cable de alimentación de corriente se dañara durante la utilización del aparato, apáguelo y desconecte inmediatamente el enchufe del tomacorriente.

No toque el cable de alimentación de corriente antes de desconectarlo del tomacorriente.

## Seguridad de otras personas

- ◆ No deje que el aparato sea utilizado por niños o por personas que no estén familiarizadas con el uso del mismo.
- ◆ No deje que niños, visitas o animales se acerquen al área de trabajo o que toquen el aparato o los cables de corriente.
- ◆ Recuerde que el operador es responsable de los accidentes o daños ocasionados a otras personas o a sus pertenencias.

## Cuando acabe de utilizar la herramienta

- ◆ Apáguela, desconecte el enchufe del tomacorriente, y asegúrese de que todas las piezas rotatorias se hayan detenido completamente antes de dejar desatendida la herramienta, y antes de cambiar, limpiar o inspeccionar cualquiera de las piezas de la misma.
- ◆ Cuando no esté siendo utilizado, el aparato debe guardarse en lugar seco. Los niños no deben tener acceso a estos aparatos guardados.

## Inspección y reparaciones

- ◆ Antes de utilizarlo, revise el aparato para ver si está dañado o tiene piezas defectuosas. Compruebe la posible existencia de piezas móviles mal alineadas o atascadas, la rotura de piezas, el posible daño de protectores e interruptores y cualquier otro aspecto que pueda afectar al funcionamiento de la herramienta.
- ◆ No use el aparato si hay alguna pieza dañada o defectuosa. No utilice el aparato si no es posible apagar y encender el interruptor.
- ◆ No utilice nunca el aparato cuando cualquiera de sus cubiertas protectoras o carcasas esté dañada o fuera de su lugar.
- ◆ Asegúrese de que el aparato puede funcionar adecuadamente y cumplir con el cometido para el que ha sido diseñada.
- ◆ Encargue al servicio técnico autorizado que repare o sustituya las piezas defectuosas o averiadas.
- ◆ Antes de utilizar la herramienta, revise el cable de alimentación de corriente para ver si presenta señas de daños, envejecimiento o desgaste.
- ◆ No utilice el aparato si el cable de alimentación de corriente está dañado o defectuoso.
- ◆ Si el cable eléctrico está estropeado, hay que sustituirlo en un agente de reparaciones autorizado con el fin de evitar un accidente.
- ◆ No intente nunca extraer o sustituir ninguna de las piezas que no sean las especificadas en este manual.

## Seguridad eléctrica



La herramienta lleva un doble aislamiento; por lo tanto no requiere una toma a tierra. Compruebe siempre que la tensión de la red corresponda con el valor indicado en la placa de datos de la herramienta.

## Instrucciones de seguridad adicionales para recortabordes

Encontrará los siguientes símbolos de advertencia en el aparato:



Antes de iniciar las operaciones, léa el manual.



Lleve gafas protectoras cuando utilice esta herramienta.



Mantenga a las personas y animales a una distancia mínima de 6 m del área de corte.



No exponga la herramienta a lluvia o humedad elevada.



No utilice hilo para trabajos pesados en el modo de bordeado.

- ◆ Antes de usar el aparato, compruebe que el trayecto de corte está libre de palos, piedras, cables o cualquier otro obstáculo.
- ◆ Utilice la herramienta solamente en la posición correcta, con la línea de corte próxima al suelo, tal como se muestra en las ilustraciones. Nunca encienda el aparato en ninguna otra posición.
- ◆ Encienda la herramienta solamente cuando las manos y los pies estén alejados del cable de corte.
- ◆ Evite el contacto corporal con el cable de corte mientras la herramienta esté en funcionamiento.
- ◆ No trabaje en cuestas empinadas. Asegúrese de estar parado firmemente. Tenga en cuenta que el césped recién cortado está húmedo y resbaladizo.
- ◆ Tenga cuidado cuando esté cortando cerca de las orillas y sendas o caminos de grava, ya que el cable de corte puede lanzar piedras y tierra.
- ◆ No suelte la herramienta hasta que la línea de corte se haya parado totalmente.
- ◆ Use únicamente el tipo adecuado de línea de corte Black & Decker. Nunca use líneas de corte o rematadores metálicos.
- ◆ Luego de colocar un cable de corte nuevo, coloque siempre la herramienta en su posición de trabajo normal antes de encenderla.
- ◆ Tenga cuidado para que el cable no se acerque a la hoja de corte. No pierda de vista el cable en ningún momento.

## Características

Esta herramienta incluye alguna o todas las características siguientes.

1. Palanca de gatillo (interruptor de encendido/apagado)
2. Empuñadura
3. Alojamiento para el cable
4. Toma de corriente
5. Mango secundario
6. Pomo del mango
7. Botón de ajuste
8. Ganchos de alojamiento del cable
9. Carcasa del motor
10. Protección
11. Cuchilla de línea de recorte (vea fig. F)
12. Alojamiento del carrete
13. Hilo de corte
14. Bolsa para guardar el hilo
15. Tubo
16. Posición de alojamiento del carrete

## Montaje

**¡Atención!** Antes de proceder al montaje, compruebe que la herramienta está apagada y desenchufada.

### Montaje de la protección (fig. A)

- ◆ Desmonte el tornillo (17) de la protección (10).
- ◆ Coloque la protección en la herramienta tal y como se indica.
- ◆ Presione firmemente sobre la protección hasta que encaje en su sitio.
- ◆ Sujete la protección con el tornillo.

**¡Atención!** No utilice nunca la herramienta sin la protección debidamente montada en su sitio.

### Acoplamiento del mango secundario (fig. B)

- ◆ Coloque el mango (5) en la herramienta tal y como se indica.
- ◆ Ajuste el mango a la posición más cómoda. Use las marcas como guía.
- ◆ Pase el perno (6) a través del mango secundario y del mango principal.
- ◆ Atornille el perno en el lado alejado del mango secundario. No apriete el perno excesivamente.

### Guardar el carrete cuando no se esté utilizando (fig. C)

La herramienta tiene dos sistemas de corte:

- ◆ Reflex plus: Autoalimentación de doble hilo para recortado y rebordeado ligeros.
- ◆ HDL: Sistema de corte con hilo de alto rendimiento para zonas con césped más crecido.

El sistema de corte que no se esté utilizando se puede guardar en la posición prevista (16).



- ◆ Alinee las pestañas del cabezal de corte con los cortes (28) por debajo del mango.
- ◆ Empuje el cabezal de corte dentro del mango hasta que encaje firmemente en su sitio.

### Almacenamiento del hilo de corte de alto rendimiento (fig. C)

- ◆ La unidad se suministra con varias piezas de hilo de corte de alto rendimiento de repuesto.
- ◆ Las piezas extra de hilo de corte de alto rendimiento se pueden guardar con seguridad en el receso del mango (14).

### Cómo se saca el hilo de corte

Para transportarlo, hay que adherir la línea de corte a la carcasa del carrete.

- ◆ Retire la cinta que sujeta el hilo de corte (13) a la carcasa del carrete (12).

### Colocación del hilo de corte de alto rendimiento (fig. G y L)

La autoguadaña llega hasta usted con el carrete Reflex plus instalado. Para colocar el sistema de corte con Hilo de Alto Rendimiento, proceda de la forma siguiente:

- ◆ Desenchufe la herramienta.
- ◆ Mantenga presionadas las pestañas (18) y retire la tapa de la bobina de hilo (19) de la caja (12) (fig. G).
- ◆ Asegúrese de que esté instalada correctamente una pieza de hilo de corte de alto rendimiento en el cabezal de corte, tal como se explica en Mantenimiento – Colocación de una nueva pieza de hilo de corte de alto rendimiento (vea la figura L).
- ◆ Alinee las pestañas del cabezal de corte con los cortes (22) en el alojamiento o caja (fig. G).
- ◆ Empuje el cabezal de corte sobre el alojamiento hasta que encaje firmemente en su sitio.

### Conexión de la herramienta a la red eléctrica

- ◆ Conecte a la toma de corriente el conector hembra de un cable eléctrico adecuado (4).
- ◆ Haga un bucle con el cable en su alojamiento (3).
- ◆ Conecte el enchufe a una toma de corriente.

Para conexiones en unidades con cable: Asegúrese de que el cable está en bucle en su alojamiento antes de conectar la clavija a la corriente principal.

**¡Atención!** El cable alargador debe ser adecuado para uso en exteriores.

### Uso

**¡Atención!** Deje que la herramienta funcione a su ritmo. No la sobrecargue.

### Coloque la herramienta en modo de recorte de bordes o ribeteador (fig. D, E & F)

La herramienta puede usarse en modo de recorte de bordes, como se indica en la fig. D, o en modo ribeteador, para recortar el césped que sobresale de bordes y parterres, como se indica en la fig. E.

**¡Atención!** No use el sistema de corte de alto rendimiento para rebordear.

### Modo de recorte de bordes (Figs. D y F)

Para recortar, el cabezal del recortabordes debe estar en la posición indicada en la fig. D. Si no lo está:

- ◆ Presione el botón de ajuste (7).
- ◆ Gire el cabezal (9) mientras suelta el botón.
- ◆ Cuando el cabezal esté en posición, el botón se bloqueará en su posición.

Nota: El cabezal girará únicamente en una dirección.

### Modo ribeteador (Figs. D y F)

Para ribetear, el cabezal del recortabordes debe estar en la posición indicada en la fig. E. Si no lo está:

- ◆ Presione el botón de ajuste (7).
- ◆ Gire el cabezal (9) mientras suelta el botón.
- ◆ Cuando el cabezal esté en posición, el botón se bloqueará en su posición.

Nota: El cabezal girará únicamente en una dirección.

**¡Atención!** No use el sistema de corte de alto rendimiento para rebordear.

### Ajuste de la altura de la herramienta (fig. F)

Esta herramienta tiene un mecanismo telescópico, para ajustarlo a una altura que le resulte cómoda. Hay tres ajustes de altura. Para ajustar la altura, proceda de la forma siguiente:

- ◆ Presione el botón de ajuste (7).
- ◆ Suavemente, meta o saque el tubo (15) de la carcasa del motor (9) hasta alcanzar la altura deseada mientras suelta el botón.
- ◆ Cuando el tubo esté en posición, el botón se bloqueará en su posición.

### Encendido y apagado

- ◆ Para encender la herramienta, presione la palanca de gatillo (1).
- ◆ Para apagar la herramienta, suelte la palanca de gatillo.

**¡Atención!** No intente nunca bloquear la palanca de gatillo en la posición de encendido (on).

## Consejos para un uso óptimo

### Generalidades

- ◆ Para lograr un corte óptimo, corte únicamente el césped que esté seco.

### Recorte de bordes

- ◆ Sujete la herramienta como se indica en la fig. D.
- ◆ Balancee suavemente la motoguadaña de lado a lado.
- ◆ Cuando se corte un césped alto, realice el trabajo por etapas empezando por la parte superior. Haga cortes pequeños.
- ◆ Mantenga la herramienta alejada de objetos duros y plantas delicadas.
- ◆ Si la herramienta empieza a funcionar lentamente, reduzca la carga.

### Reborderar

Los mejores resultados de corte se consiguen en bordes de profundidad superior a 50 mm.

- ◆ No use la herramienta para crear bordes. Para crear bordes, use una azada reborderadora.
- ◆ Guíe la herramienta como se indica en la fig. E.
- ◆ Para un corte más apurado, incline ligeramente la herramienta.

### Mantenimiento

Su herramienta está diseñada para que funcione durante un largo período de tiempo con un mantenimiento mínimo. El funcionamiento satisfactorio continuado depende de un cuidado apropiado y una limpieza periódica de la herramienta.

**¡Atención!** Antes de realizar cualquier tipo de mantenimiento, apague y desenchufe la herramienta.

- ◆ Limpie periódicamente las ranuras de ventilación de la herramienta con un cepillo suave o con un paño seco.
- ◆ Limpie periódicamente las hojas y la bobina de hilo para corte con un cepillo suave o un paño seco.
- ◆ Utilice periódicamente un raspador romo para eliminar la hierba y la suciedad existente debajo de la protección.

### Colocación de una nueva bobina de hilo de línea de corte (fig. G y H)

Encontrará repuestos de bobinas de hilo de línea de corte en su concesionario Black & Decker (número de catálogo A6441). También se dispone de cajetines completos con carretes de hilo de corte (número de catálogo 6488).

- ◆ Desenchufe la herramienta.
- ◆ Mantenga presionadas las pestañas (18) y retire la tapa de la bobina de hilo (19) de la caja (12) (fig. G).
- ◆ Retire la bobina de hilo vacía (20) de su alojamiento.
- ◆ Retire la suciedad o residuos de la tapa del carrete y de su carcasa.

- ◆ Tome el carrete nuevo y empujelo en el asiento de la carcasa del carrete. Gire ligeramente el carrete hasta que se acople.
- ◆ Suelte el extremo de una de los hilos de corte e introdúzcalo por uno de los ojales (21) (fig. H). El hilo debería asomar unos 11 cm de la cubierta del carrete.
- ◆ Suelte el extremo de la otra línea de corte e introdúzcalo en el otro orificio. El hilo debería asomar unos 11 cm de la cubierta del carrete.
- ◆ Alinee las pestañas (18) de la tapa de la bobina de hilo con los orificios (22) del alojamiento (fig. G).
- ◆ Empuje la tapa sobre el alojamiento hasta que encaje firmemente en su asiento.

**¡Atención!** Si los hilos de corte sobresalen más allá de la cuchilla de corte (11), córtelos de forma que lleguen justo hasta la cuchilla de corte.

### Arrollamiento de un nuevo hilo de corte en un carrete vacío (fig. I, J y K)

Se puede enrollar hilo de corte nuevo en un carrete vacío. Encontrará paquetes con líneas de corte en su concesionario Black & Decker (número de catálogo A6440).

- ◆ Retire la bobina vacía de la herramienta como se ha descrito anteriormente.
- ◆ Extraiga la línea de corte residual de la bobina de hilo.
- ◆ En primer lugar, arrolle el nuevo hilo en la parte superior del carrete:
  - Introduzca unos 2 cm de línea de corte en una de las rendijas del carrete, tal y como se indica.
  - Enrolle la línea de corte en la bobina de hilo en la dirección de la flecha. Asegúrese de arrollar el hilo de corte cuidadosamente, formando capas. Evite que el hilo de corte se cruce consigo mismo en una capa al ser arrollado en la bobina.
  - Cuando el hilo de corte devanado alcance las ranuras (24), córtelo.
  - Aparque temporalmente el hilo en las ranuras (23) situadas a uno de los lados del carrete como se indica.
- ◆ Repita el procedimiento anterior para el segundo hilo de corte situado en la sección inferior del carrete. Aparque el hilo en las ranuras (27) que están sin ocupar.
- ◆ Proceda como se ha descrito anteriormente para colocar la bobina en la herramienta. No olvide soltar el hilo de corte de las ranuras de sujeción temporal (23).

**¡Atención!** Use únicamente el tipo adecuado de hilo de corte Black & Decker. Cerciórese de que hay hilo de corte en ambas secciones del carrete (Fig. K)

### Colocación de una nueva pieza de hilo de corte de alto rendimiento (fig. G y L)

Encontrará repuestos de piezas de hilo de corte en su concesionario Black & Decker (número de catálogo A6487). Para colocar una nueva pieza de hilo de corte, proceda de la forma siguiente:

- ◆ Desenchufe la herramienta.
- ◆ Mantenga presionadas las pestañas (18) y retire el cabezal de corte (25) de la caja o alojamiento (12) (fig. G).
- ◆ Retire la pieza usada de hilo de corte del cabezal de corte.
- ◆ Enrosque una nueva pieza de hijo (26) pasándola por los agujeros del cabezal de corte.
- ◆ Coloque la férula central (27) en la posición indicada.
- ◆ Alinee las pestañas del cabezal de corte con los orificios (22) en el alojamiento o caja (fig. G).
- ◆ Empuje el cabezal de corte sobre el alojamiento hasta que encaje firmemente en su sitio.

### Solución de problemas

Si su herramienta no funciona adecuadamente, siga estas instrucciones. Si esto no resuelve el problema, póngase en contacto con el servicio de reparaciones de Black & Decker de su zona.

**¡Atención!** Antes de cualquier operación, desenchufe la herramienta.

### La herramienta funciona lentamente

- ◆ Compruebe que el alojamiento de la bobina puede girar libremente. Limpíelo con cuidado si fuera necesario.
- ◆ Compruebe que la línea de corte no sobresale más de 11 cm de la caja del carrete. Si así fuera, corte lo que sobre para que llegue justo hasta la hoja ribeteadora.

### No funciona el avance automático del hilo de corte.

- ◆ Mantenga los topes pulsados y retire la tapa del carrete del alojamiento.
- ◆ Tire de la hoja de corte hasta que asome 11 cm del alojamiento. Si no queda suficiente hilo de corte en la bobina, instale uno nuevo como se ha indicado anteriormente.
- ◆ Alinee las pestañas de la tapa de la bobina con los orificios del alojamiento.
- ◆ Empuje la tapa sobre el alojamiento hasta que encaje firmemente en su asiento.
- ◆ Si el hilo de corte sobresale más allá de la hoja de ribetear, córtelo para que llegue justo hasta la hoja.

Si el avance automático del hilo de corte sigue sin funcionar o se ha atascado la bobina, intente las siguientes acciones:

- ◆ Limpie con cuidado la tapa y el alojamiento de la bobina.
- ◆ Retire la bobina de hilo y compruebe que la palanca se mueve libremente.

- ◆ Retire la bobina y desenrolle el hilo de corte, luego enróllelo nuevamente con cuidado como se ha descrito antes. Sustituya la bobina como se indica.

### Protección del medio ambiente



Black & Decker proporciona facilidades para el reciclado de los productos Black & Decker que hayan llegado al final de su vida útil. Este servicio se proporciona de forma gratuita. Para poderlo utilizar, le rogamos entregue el producto en cualquier servicio técnico autorizado quien se hará cargo del mismo en nuestro nombre.

Pueden consultar la dirección de su servicio técnico más cercano poniéndose en contacto con la oficina local de Black & Decker en la dirección que se indica en este manual. Como alternativa, se puede consultar en Internet, en la dirección siguiente, la lista de servicios técnico autorizados e información completa de nuestros servicios de postventa y contactos:

[www.2helpU.com](http://www.2helpU.com).

### Características técnicas

	GL680	GL690
Potencia absorbida	W 500	630
Velocidad sin carga	min <sup>-1</sup> 8500/10000	8700/10300
Peso	kg 2.6	2.9

### Declaración de conformidad CE

#### GL680/GL690

Black & Decker declara que estos productos están en conformidad con:  
98/37/EC, 89/336/EEC, 73/23/EEC, EN 60335, EN 55014, EN 61000, 2000/14/EC, Recortadora, L < 50 cm Annex VIII, No. 0086  
B.S.I., HP2 4SQ, Reino Unido

El nivel de la presión acústica, medida de acuerdo con 2000/14/EC: L<sub>DA</sub> (presión de sonido): 82 dB(A), L<sub>WA</sub> (potencia acústica) 95 dB(A), L<sub>WA</sub> (garantizado) 96 dB(A)

Valor cuadrático medio ponderado en frecuencia de la aceleración según EN 786: < 2.5 m/s<sup>2</sup>

Kevin Hewitt  
Director de Ingeniería del Consumidor  
Spennymoor, County Durham DL16 6JG,  
Reino Unido  
01-10-2002

## Garantía

Black & Decker confía plenamente en la calidad de sus productos y ofrece una garantía extraordinaria. Esta declaración de garantía es una añadido, y en ningún caso un perjuicio para sus derechos estatutarios. La garantía es válida dentro de los territorios de los Estados Miembros de la Unión Europea y de los de la Zona Europea de Libre Comercio.

Si un producto Black & Decker resultará defectuoso debido a materiales o mano de obra defectuosos o a la falta de conformidad, Black & Decker garantiza, dentro de los 24 meses de la fecha de compra, la sustitución de las piezas defectuosas, la reparación de los productos sujetos a un desgaste y rotura razonables o la sustitución de tales productos para garantizar al cliente el mínimo de inconvenientes, a menos que:

- ◆ El producto haya sido utilizado con propósitos comerciales, profesionales o de alquiler;
- ◆ El producto haya sido sometido a un uso inadecuado o negligente;
- ◆ El producto haya sufrido daños causados por objetos o sustancias extrañas o accidentes;
- ◆ Se hayan realizado reparaciones por parte de personas que no sean los servicios de reparación autorizados o personal de servicios de Black & Decker;

Para reclamar en garantía, será necesario que presente la prueba de compra al vendedor o al servicio técnico de reparaciones autorizado. Pueden consultar la dirección de su servicio técnico más cercano poniéndose en contacto con la oficina local de Black & Decker en la dirección que se indica en este manual. Como alternativa, se puede consultar en Internet, en la dirección siguiente, la lista de servicios técnicos autorizados e información completa de nuestros servicios de postventa y contactos: **[www.2helpU.com](http://www.2helpU.com)**.

## Utilização

O aparador GL680/GL690 da Black & Decker foi projectado para aparar e acertar orlas, bem como cortar relva em espaços limitados. Esta ferramenta destina-se apenas ao uso doméstico.

## Instruções de segurança

- ◆ Advertência! Ao utilizar aparelhos electrodomésticos, siga sempre as precauções básicas de segurança, incluindo as detalhadas a seguir, para diminuir os riscos de incêndio, choque eléctrico e ferimentos pessoais.
- ◆ Leia atentamente este manual antes de utilizar o aparelho.
- ◆ Antes de utilizar a ferramenta, certifique-se de que sabe como desligá-la em caso de urgência.
- ◆ Neste manual indicam-se as utilizações previstas para o aparelho. O uso de qualquer acessório ou da própria ferramenta, além do que é recomendado neste manual de instruções pode dar origem a risco de ferimento.
- ◆ Guarde este manual para futuras consultas.

## Área de trabalho

- ◆ Não exponha a ferramenta à chuva. Não utilize a ferramenta em situações onde haja humidade ou água.
- ◆ Utilize a ferramenta apenas durante o dia ou com boa iluminação artificial.

## Protecção pessoal

- ◆ Utilize botas ou sapatos resistentes para proteger os pés. Não utilize a ferramenta se estiver descalço ou a utilizar sandálias.
- ◆ Vista calças compridas para proteger as pernas.

## Utilização do aparelho

- ◆ Assegure-se de que a ferramenta esteja desligada quando for ligá-la à tomada.
- ◆ Esteja atento. Dê atenção ao que vai fazendo. Trabalhe com precaução.
- ◆ Não utilize ferramentas quando estiver cansado.
- ◆ Se a ferramenta começar a vibrar de forma anormal, desligue-a e remova a ficha da tomada. Espere que as peças giratórias parem e verifique se existem danos ou peças soltas.
- ◆ Nunca puxe o cabo para desligá-lo da tomada. Proteja o cabo contra o calor e evite o contacto com óleo e objectos cortantes.
- ◆ Se o fio eléctrico sofrer danos durante o uso, desligue a ferramenta e desligue a ficha da tomada imediatamente. Não toque o fio eléctrico antes de desligá-lo da tomada.

## Segurança de outras pessoas

- ◆ Não permita que as crianças ou qualquer pessoa que não esteja familiarizada com estas instruções utilizem o aparelho.

- ◆ Não permita que crianças, visitantes ou animais cheguem perto da área de trabalho ou toquem na ferramenta ou no cabo de força.
- ◆ Lembre-se que o operador poderá ser responsabilizado por acidentes ou danos causados a pessoas ou à sua propriedade.

## Após a utilização

- ◆ Desligue-a, remova a ficha da tomada e, antes de trocar, limpar ou inspecionar qualquer peça da ferramenta, certifique-se de que as peças giratórias estão paradas.
- ◆ Quando não estiver em utilização, guarde o aparelho em local seco. Guarde o aparelho fora do alcance das crianças.

## Inspeção e reparação

- ◆ Antes de utilizar o aparelho, verifique a existência de danos ou defeitos nas peças. Verifique o tamanho das peças móveis e se as mesmas estão alinhadas; verifique se há alguma peça partida, se as protecções e os interruptores estão danificados, bem como quaisquer outras condições que possam afectar o funcionamento da ferramenta.
- ◆ Não utilize o aparelho se houver alguma peça defeituosa ou danificada. Não utilize a ferramenta se o interruptor não estiver a funcionar para ligar ou desligar.
- ◆ Nunca utilize a ferramenta se houver danos em algum dispositivo protector ou invólucro ou se os mesmos estiverem fora do lugar.
- ◆ Assegure-se de que a ferramenta funcione correctamente e de que esteja a desempenhar as funções para as quais foi projectada.
- ◆ Qualquer peça defeituosa ou danificada deverá ser reparada ou substituída por um técnico autorizado.
- ◆ Verifique se há sinais de danos, envelhecimento e desgaste no cabo eléctrico.
- ◆ Não utilize a ferramenta se o fio eléctrico estiver danificado ou com defeitos.
- ◆ Para evitar situações de risco, o cabo eléctrico danificado deverá ser substituído por um agente de reparações autorizado.
- ◆ Nunca tente remover ou trocar peças por outras que não aquelas especificadas neste manual.

## Segurança eléctrica



Esta ferramenta está duplamente vedada; assim não é necessário fio de terra. Certifique-se sempre de que o fornecimento de energia corresponde à voltagem indicada na placa de especificações.

## Instruções adicionais de segurança para aparadores de relva

Os símbolos de advertência a seguir encontram-se na ferramenta:



Leia o manual antes de utilizar o produto.



Utilize óculos de segurança durante o funcionamento da ferramenta.



Mantenha as pessoas a uma distância mínima de 6 m da área de corte.



Não exponha a ferramenta à chuva e humidade excessiva.



Não utilize as lâminas no modo de acerto de orlas.

- ◆ Antes de utilizar a ferramenta, verifique se o percurso de corte está livre de gravetos, pedras, arame e quaisquer outros obstáculos.
- ◆ Utilize a ferramenta apenas na posição correcta, com o fio de nylon próximo ao solo, conforme as ilustrações. Nunca a ligue em qualquer outra posição.
- ◆ Ligue-a apenas com as mãos e pés distantes do fio de nylon.
- ◆ Evite o contacto corporal com o fio de nylon durante o funcionamento.
- ◆ Não trabalhe em declives. Permaneça atento aos seus passos. Lembre-se que relva recém-cortada é húmida e escorregadia.
- ◆ Cuidado ao efectuar aparos próximo a orlas, caminhos com cascalho ou estradas, pois o fio de nylon poderá movimentar pedras e solo.
- ◆ Não coloque a ferramenta em posição horizontal a menos que o fio de nylon esteja completamente parado.
- ◆ Utilize apenas o tipo adequado de fio de nylon da Black & Decker. Nunca utilize fio de metal ou linha de pesca.
- ◆ Após estender o fio de nylon novo, coloque sempre a ferramenta de volta à sua posição normal de funcionamento antes de ligá-la.
- ◆ Cuide para que o cabo de alimentação eléctrica fique longe do fio de corte. Esteja sempre atento ao posicionamento do cabo.

## Funções

Esta ferramenta inclui algumas ou todas as seguintes funções.

1. Interruptor
2. Punho
3. Retentor do cabo eléctrico
4. Entrada de energia
5. Punho secundário
6. Botão da pega secundária

7. Botão de ajuste
8. Ganchos para guardar o cabo
9. Compartimento do motor
10. Resguardo
11. Lâmina limitadora do fio de nylon (ver fig. F)
12. Compartimento da bobina
13. Fio de nylon
14. Armazenamento das lâminas
15. Corpo tubular
16. Armazenamento da bobina de fio

## Montagem

**Advertência!** Antes da montagem, certifique-se de que a ferramenta esteja desligada e desconectada da rede eléctrica.

### Instalação do resguardo (fig. A)

- ◆ Remova o parafuso (17) do resguardo (10).
- ◆ Coloque o resguardo na ferramenta, conforme o indicado.
- ◆ Carregue firmemente no resguardo até que ele se encaixe no lugar.
- ◆ Fixe o resguardo com o parafuso.

**Advertência!** Nunca utilize a ferramenta se o resguardo não estiver bem instalado.

### Montagem da pega secundária (fig. B)

- ◆ Coloque a pega (5) na ferramenta, conforme o indicado.
- ◆ Ajuste o manípulo até à posição mais confortável. Utilize as marcações como um guia.
- ◆ Passe o perno (6) através da pega secundária e pelo punho principal.
- ◆ Aperte o parafuso até ao lado mais afastado da pega secundária. Não aperte demais.

### Armazenamento da bobina quando não utilizada (fig. C)

A ferramenta tem dois sistemas de corte:

- ◆ Reflex plus: Fio de nylon duplo de auto-alimentação para pequenos cortes e acertos de orlas.
- ◆ HDL: Sistema de corte por lâminas para áreas de maior vegetação.

O sistema de corte que não estiver a ser utilizado pode ser armazenado na respectiva posição (16).

- ◆ Alinhe as linguetas na cabeça de corte com as lâminas (28) na parte inferior do punho.
- ◆ Empurre a tampa da bobina para o punho até que encaixe na posição correcta.

### Armazenamento das lâminas (fig. C)

- ◆ A unidade é fornecida com várias lâminas de substituição.
- ◆ Essas lâminas podem ser armazenadas na ranhura existente no punho (14).

### Remoção do fio de nylon

Durante o transporte, o fio de nylon é fixado à tampa da bobina.

- ◆ Remova a fita que segura o fio de nylon (13) à tampa da bobina (12).

### Colocação das lâminas (fig. G & L)

O seu aparador vem com a bobina Reflex plus instalada.

Para colocar o sistema de corte por lâminas HDL, proceda da seguinte maneira:

- ◆ Desligue a ferramenta.
- ◆ Mantenha as linguetas (18) carregadas e remova a tampa da bobina (19) do compartimento (12) (fig. G).
- ◆ Certifique-se de que cada lâmina está correctamente colocada na cabeça de corte HDL, tal como descrito em "Manutenção – Colocação de uma nova lâmina de corte" (ver fig. L).
- ◆ Alinhe as patilhas na cabeça de corte HDL com as lâminas (22) no suporte (fig. G).
- ◆ Encaixe a cabeça de corte HDL no suporte.

### Ligação da ferramenta à energia eléctrica

- ◆ Ligue a ficha fêmea de um cabo de extensão adequado à tomada de alimentação (4).
- ◆ Passe o cabo através do rententor do mesmo (3).
- ◆ Ligue a ficha à tomada da parede.

**Advertência!** A extensão eléctrica deve ser adequada para uso em ambientes externos.

### Utilização

**Advertência!** Deixe que a ferramenta funcione à vontade. Não a sobrecarregue.

### Ajuste da ferramenta no modo de aparar ou acerto de orlas (fig. D, E & F)

É possível utilizar a ferramenta no modo de aparador conforme a fig. D ou no modo de acerto de orlas para aparar excesso de relva ao longo de orlas e canteiros de flores, conforme o mostrado na fig. E.

**Advertência!** Não utilize o sistema de corte por lâminas para o acerto de orlas.

### Modo de aparador (fig. D & F)

Para aparar, a cabeça do aparador deverá estar na posição demonstrada na fig. D. Caso contrário:

- ◆ Carregue no botão de ajuste (7).
- ◆ Rode a cabeça (9), enquanto solta o botão.
- ◆ Quando a cabeça estiver na posição desejada, o botão bloqueia nessa posição.

Nota: A cabeça só roda numa direcção.

### Modo de acerto de orlas (fig. E & F)

Para acertar orlas, a cabeça do aparador deverá estar na posição demonstrada na fig. E. Caso contrário:

- ◆ Carregue no botão de ajuste (7).
- ◆ Rode a cabeça (9), enquanto solta o botão.
- ◆ Quando a cabeça estiver na posição desejada, o botão bloqueia nessa posição.

Nota: A cabeça só roda numa direcção.

**Advertência!** Não utilize o sistema de corte por lâminas para o acerto de orlas.

### Ajuste da altura da ferramenta (fig. F)

Esta ferramenta possui corpo telescópico, o que permite um ajuste de altura adequado. Existem três definições de altura possíveis. Para ajustar a altura, proceda da seguinte forma:

- ◆ Carregue no botão de ajuste (7).
- ◆ Puxe suavemente o tubo (15) para dentro ou para fora do compartimento do motor (9) até à altura desejada, enquanto solta o botão.
- ◆ Quando o tubo estiver na posição desejada, o botão bloqueia nessa posição.

### Ligar e desligar

- ◆ Para ligar a ferramenta, aperte o interruptor (1).
- ◆ Para desligar a ferramenta, solte o interruptor.

**Advertência!** Nunca tente travar o interruptor na posição ligada.

### Sugestões para uma melhor utilização

#### Informações gerais

- ◆ Para obter óptimos resultados, corte apenas relva seca.

#### Aparador

- ◆ Segure a ferramenta conforme a fig. D.
- ◆ Incline o aparador com cuidado de um lado para outro.
- ◆ Ao cortar relva longa, trabalhe em etapas, partindo do topo. Efectue cortes pequenos.
- ◆ Mantenha-a afastada de objectos duros e plantas delicadas.
- ◆ Se a ferramenta começar a funcionar lentamente, reduza a carga.

#### Acerto de orlas

É possível alcançar resultados de corte excelentes em orlas com mais de 50 mm de profundidade.

- ◆ Não utilize a ferramenta para criar orlas. Para tal, utilize uma pá de acerto de orlas.
- ◆ Segure a ferramenta conforme mostrado na fig. E.
- ◆ Para efectuar um corte mais aproximado, incline levemente a ferramenta.

## Manutenção

Esta ferramenta foi desenvolvida para funcionar por um longo período, com um mínimo de manutenção. O funcionamento contínuo e satisfatório depende da limpeza regular e cuidado adequado da ferramenta.

**Advertência!** Antes de qualquer procedimento de manutenção, desligue a ferramenta no interruptor e retire a tomada da corrente.

- ◆ Limpe regularmente as fendas de ventilação da ferramenta utilizando uma escova suave ou um pano seco.
- ◆ Limpe regularmente o fio de nylon e a bobina com uma escova macia ou um pano seco.
- ◆ Utilize regularmente uma espátula sem corte para remover relva e sujeira da parte inferior do resguardo.

## Colocação de uma nova bobina de fio de nylon (fig. G & H)

É possível obter bobinas de reposição de fio de nylon com o seu distribuidor Black & Decker (ref. no. A6441).

Carretéis completos que contêm uma bobina de fio de nylon estão também disponíveis (ref. No. A6488).

- ◆ Desligue a ferramenta.
- ◆ Mantenha as patilhas (18) carregadas e remova a tampa da bobina (19) do suporte (12) (fig. G).
- ◆ Remova a bobina vazia (20) do alojamento.
- ◆ Remova toda a sujidade e relva da tampa e do compartimento da bobina.
- ◆ Pegue a nova bobina e coloque-a no saliente da tampa. Gire a bobina levemente até que ela esteja encaixada.
- ◆ Solte a extremidade de um dos fios de nylon e guie-o para o interior dos orifícios (21) (fig. H). O fio deverá sair aproximadamente 11 cm da tampa da bobina.
- ◆ Solte a extremidade do outro fio e guie-o para o interior do outro orifício. O fio deverá sair aproximadamente 11 cm da tampa da bobina.
- ◆ Alinhe as linguetas (18) da tampa da bobina com as lâminas (22) do compartimento (fig. G).
- ◆ Carregue na tampa, colocando-a no compartimento até que se encaixe firmemente no local.

**Advertência!** Se os fios de nylon ultrapassarem a lâmina de apara (11), corte-os de forma que eles apenas alcancem.

## Colocação de fio novo numa bobina vazia (fig. I, J & K)

É possível colocar fio de nylon novo numa bobina vazia. Além disso, poderá obter pacotes de reposição de fio de nylon com o seu distribuidor Black & Decker (ref. no. A6440).

- ◆ Remova a bobina vazia da ferramenta conforme descrição acima.
- ◆ Retire completamente o fio de nylon da bobina.
- ◆ Enrole o novo fio na extremidade superior da bobina:
  - Coloque 2 cm de fio numa das ranhuras, na parte superior da bobina, conforme mostrado.

- Enrole-o na bobina, na direcção da seta. Assegure-se de enrolar o fio cuidadosamente e em camadas. Não o cruze.
- Quando o fio enrolado atingir as ranhuras (24), corte-o.
- Deixe o fio temporariamente nas ranhuras (23), num dos lados da bobina conforme o mostrado.

- ◆ Repita o procedimento descrito acima para o segundo fio de nylon, situado na parte inferior da bobina. Deixe o fio nas ranhuras não utilizadas (23).
- ◆ Proceda da forma descrita acima para instalar a bobina na ferramenta. Não esqueça de soltar o fio de nylon das ranhuras (23).

**Advertência!** Utilize apenas o tipo adequado de fio de nylon da Black & Decker. Assegure-se de que haja fio de nylon nas duas secções da bobina (Fig. K).

## Colocação de uma nova lâmina de corte (fig. G & L)

É possível obter lâminas de corte no seu revendedor Black & Decker (ref. no. A6487). Para colocar uma nova lâmina, proceda da seguinte maneira:

- ◆ Desligue a ferramenta.
- ◆ Mantenha as patilhas (18) carregadas e remova a cabeça de corte HDL (25) do suporte (12) (fig. G).
- ◆ Remova a lâmina usada da cabeça de corte HDL.
- ◆ Coloque a nova lâmina (26) através dos orifícios na cabeça de corte HDL.
- ◆ Coloque o arco central (27) na posição indicada.
- ◆ Alinhe as linguetas na cabeça de corte com os orifícios (22) no suporte (fig. G).
- ◆ Carregue na cabeça de corte, colocando-a no compartimento até que se encaixe firmemente no local.

## Resolução de problemas

Se a sua ferramenta não estiver a funcionar adequadamente, siga as instruções abaixo. Caso o problema não seja resolvido dessa maneira, entre em contacto com um centro de assistência técnica da Black & Decker.

**Advertência!** Antes de continuar, desligue a ferramenta da tomada.

### O aparador está lento

- ◆ Verifique se o compartimento da bobina pode girar livremente. Limpe-o com cuidado, se necessário.
- ◆ Verifique se o fio de nylon não se estende além de 11 cm do suporte da bobina. Neste caso, corte-o de forma que apenas alcance a lâmina limitadora.

### Alimentação automática de fio não funciona

- ◆ Carregue nas linguetas, segure-as e remova a tampa do suporte.



- ◆ Puxe o fio de nylon até que ele fique com 11 cm fora do suporte. Se não houver fio suficiente na bobina, instale uma nova conforme instruções acima.
- ◆ Alinhe as linguetas da tampa da bobina com as lâminas do suporte.
- ◆ Carregue na tampa, colocando-a no compartimento até que se encaixe firmemente no local.
- ◆ Se o fio ultrapassar a lâmina limitadora, corte-o de forma que apenas a alcance.

Se a alimentação automática de fio ainda não funcionar ou a bobina estiver enroscada, tente as sugestões a seguir:

- ◆ Limpe com cuidado a tampa e o suporte da bobina.
- ◆ Remova-a e verifique se a alavanca se move livremente.
- ◆ Remova a bobina, desenrole o fio de nylon e enrole-o novamente de forma ordenada, conforme descrição acima. Recoloque-a conforme instruções.

## Protecção do meio ambiente



A Black & Decker oferece facilidades para a reciclagem de produtos Black & Decker uma vez que os mesmos tenham alcançado o final de suas vidas úteis.

Este serviço é fornecido sem encargos. Para utilizá-lo, devolva o seu produto a qualquer agente de reparação autorizado, que se encarregará de recolher o equipamento em nosso nome.

Para verificar a localização do agente de reparação mais próximo de si, contacte o escritório local da Black & Decker no endereço indicado neste manual. Se preferir, consulte a lista de agentes autorizados da Black & Decker e os dados completos dos nossos serviços de atendimento pós-venda na Internet no endereço: [www.2helpU.com](http://www.2helpU.com).

## Dados técnicos

	GL680	GL690
Potência de entrada	W 500	630
Velocidade sem carga	min <sup>-1</sup> 8500/10000	8700/10300
Peso	kg 2.6	2.9

## Declaração de conformidade CE

### GL680/GL690

A Black & Decker declara que estes produtos estão em conformidade com a:  
98/37/EC, 89/336/EEC, 73/23/EEC, EN 60335, EN 55014,  
EN 61000, 2000/14/EC, Aparador de relva, L < 50 cm  
Annex VIII, No. 0086  
B.S.I., HP2 4SQ, Reino Unido

Nível de potência sonora, medido de acordo com a 2000/14/EC:  
 $L_{pA}$  (pressão acústica): 82 dB(A),  $L_{WA}$  (potência acústica) 95  
dB(A),  $L_{WA}$  (com garantia) 96 dB(A)

Valor médio quadrático ponderado em frequência de  
aceleração conforme a EN 786: < 2.5 m/s<sup>2</sup>

Kevin Hewitt  
Director de Engenharia do Consumo  
Spennymoor, County Durham DL16 6JG,  
Reino Unido  
01-10-2002

## Garantia

A Black & Decker confia na qualidade de seus produtos e oferece um programa de garantia excelente. Esta declaração de garantia soma-se aos seus direitos legais e não os prejudica em nenhum aspecto. A garantia será válida nos territórios dos Estados Membros da União Europeia e na Área de Livre Comércio da Europa.

Caso algum produto da Black & Decker apresente avarias devido a defeitos de material, mão-de-obra ou ausência de conformidade no prazo de 24 meses a partir da data de compra, a Black & Decker garantirá a substituição das peças defeituosas, a reparação dos produtos que foram submetidos a uso adequado e remoção ou substituição dos mesmos para assegurar o mínimo de inconvenientes ao cliente a menos que:

- ◆ O produto tenha sido utilizado para fins comerciais, profissionais ou aluguer;
- ◆ O produto tenha sido submetido a uso incorrecto ou descuido;
- ◆ O produto tenha sofrido danos causados por objectos estranhos, substâncias ou acidentes;
- ◆ Tenha um histórico de reparações efectuadas por terceiros que não sejam os agentes autorizados ou profissionais de manutenção da Black & Decker.

Para activar a garantia, será necessário enviar a prova de compra ao revendedor ou agente de reparação autorizado. Para verificar a localização do agente de reparação mais próximo de si contacte o escritório local da Black & Decker no endereço indicado neste manual. Se preferir, consulte a lista de agentes autorizados da Black & Decker e os dados completos dos nossos serviços de atendimento pós-venda na Internet no endereço: [www.2helpU.com](http://www.2helpU.com).

## Användningsområde

Din Black & Decker grästrimmare GL680/GL690 är avsedd för trimning och kantklippning av gräsmattor och för gräsklippning på svåråtkomliga ställen. Verktöget är endast avsett för bruk i hemmet.

## Säkerhetsanvisningar

- ◆ Varning! När man använder elektriska verktyg med nätström är det viktigt att man bl.a. följer nedanstående säkerhetsanvisningar för att minska risken för brand, elektriska stötar och personskador.
- ◆ Läs bruksanvisningen noga innan du använder verktyget.
- ◆ Var säker på att du vet hur man stänger av verktyget innan du börjar använda det.
- ◆ Apparaten är avsedd för användning som beskrivs i denna bruksanvisning. Använd endast tillbehör och tillsatser som är rekommenderade i bruksanvisningen och katalogerna. Användning av annat verktyg eller tillbehör kan innebära risk för personskada.
- ◆ Spara bruksanvisningen för framtida bruk.

## Arbetsområde

- ◆ Utsätt inte verktyget för regn. Använd inte verktyget när det är fuktigt eller vått.
- ◆ Använd verktyget endast vid dagsljus eller i bra belysning.

## Personskydd

- ◆ Skydda fötterna genom att använda kraftiga skor eller stövlar. Gå aldrig barfota eller i öppna sandaler när du använder verktyget.
- ◆ Skydda benen genom att använda långbyxor.

## Använda apparaten

- ◆ Kontrollera att verktyget är avstängt innan du sätter i kontakten.
- ◆ Var uppmärksam. Titta på det du gör. Använd sunt förnuft.
- ◆ Använd inte verktyget när du är trött.
- ◆ Stäng genast av verktyget och drag ut kontakten om det börjar vibrera onormalt. Vänta tills verktyget har stannat helt och kontrollera om det finns skador eller lösa delar.
- ◆ Dra aldrig i sladden för att dra ur stickkontakten. Utsätt inte sladden för värme, olja eller skarpa kanter.
- ◆ Stäng genast av verktyget och dra ut kontakten om sladden skulle skadas under användning. Rör inte sladden förrän kontakten är urdragen.

## Andra personers säkerhet

- ◆ Låt aldrig barn, eller personer som inte har läst denna bruksanvisning använda verktyget.
- ◆ Tillåt inte barn, besökande eller djur att komma i närheten av arbetsplatsen eller att röra verktyget eller sladden.

- ◆ Tänk på att användaren kan göras ansvarig för skada på annan person eller egendom.

## Efter användning

- ◆ Stäng av verktyget, dra ut kontakten och vänta tills de roterande delarna har stannat helt innan du lämnar verktyget utan tillsyn, eller innan du börjar byta ut, rengöra eller kontrollera någon del på verktyget.
- ◆ När apparaten inte används skall den förvaras på en torr plats. Se till att barn inte kan få tag på verktyget.

## Kontroll och reparation

- ◆ Kontrollera apparaten med avseende på skador eller defekta delar innan den används. Kontrollera att de rörliga delarna inte har fastnat eller är felmonterade. Kontrollera även att övriga delar och skydd inte är skadade och att det inte föreligger några andra fel som kan påverka verktygets funktion.
- ◆ Använd inte apparaten om någon del är skadad eller defekt. Använd inte verktyget om det inte kan kopplas till och från med strömbrytaren.
- ◆ Använd aldrig verktyget utan att alla skydd och kåpor är på plats.
- ◆ Kontrollera att verktyget fungerar riktigt och kan utföra de funktioner det är avsett för.
- ◆ Om fel uppstår skall delarna repareras eller bytas ut av en auktoriserad Black & Decker serviceverkstad.
- ◆ Kontrollera innan användning, om sladden är skadad, slitnen eller börjar bli gammal.
- ◆ Använd aldrig verktyget om sladden är skadad eller trasig.
- ◆ Om sladden är skadad måste den bytas ut av en behörig reparatör för att man ska kunna undvika risker.
- ◆ Försök aldrig att ta bort eller byta ut andra delar än dem som nämns i denna bruksanvisning.

## Elektrisk säkerhet



Eftersom verktyget är dubbelisolerat behövs ingen jordledare. Kontrollera alltid att spänningen på nätet överensstämmer med den spänning som finns angiven på märkplåten.

## Ytterligare säkerhetsinstruktioner för grästrimmare

Följande varningssymboler återfinns på verktyget:



Läs bruksanvisningen innan du använder verktyget.



Använd skyddsglasögon under arbetet med maskinen.



Tillåt inte barn och djur att uppehålla sig närmare arbetsområdet än 6 meter.



Undvik att utsätta verktyget för regn och hög luftfuktighet.



Använd inte den grova linan för kantklippning.

- ◆ Innan du börjar arbeta ska du kontrollera att arbetsområdet är fritt från pinnar, stenar, ståltråd och andra föremål.
- ◆ Håll alltid verktyget i rätt läge, med trimtråden nära marken, se illustrationerna. Starta aldrig verktyget i något annat läge.
- ◆ Händer och fötter skall hållas borta från trimtråden innan verktyget startas.
- ◆ Undvik kroppskontakt med trimtråden när verktyget är igång.
- ◆ Arbeta inte i branta sluttningar. Se till att du står stadigt. Tänk på att nyklippt gräs är fuktigt och halt.
- ◆ Var försiktig i närheten av rabatter, grusgångar eller vägar, trimtråden kan slänga upp jord och grus.
- ◆ Lägg inte ner verktyget förrän trimtråden har stannat helt.
- ◆ Använd endast trimtråd som rekommenderas av Black & Decker. Använd aldrig trimtråd av metall eller fiskelina.
- ◆ När ny trimtråd har dragits fram, måste verktyget alltid återställas till sitt vanliga driftsläge innan det startas.
- ◆ Var noga med att hålla undan sladden från trimtråden. Håll alltid reda på var sladden finns.

## Detaljbeskrivning

Verktyget har en del eller samtliga av nedanstående funktioner.

1. Avtryckarspåk (strömbrytare)
2. Handtag
3. Sladdhållare
4. Elkontakt
5. Stödhandtag
6. Handtagsskruv
7. Justeringsknapp
8. Sladdvinda
9. Motorhus
10. Skydd
11. Skärblad för trimtråden (se fig. F)

12. Spolhus
13. Trimtråd
14. Förvaringsfack för trimtråd
15. Skaft
16. Förvaringsfack spole

## Montering

**Varning!** Se till att verktyget är avstängt samt att det inte är anslutet innan monteringen börjar.

### Montering av skyddet (fig. A)

- ◆ Ta bort skruven (17) från skyddet (10).
- ◆ Placera skyddet på verktyget enligt figuren.
- ◆ Tryck på skyddet ordentligt tills det snäpper fast på plats.
- ◆ Lås fast skyddet med skruven.

**Varning!** Använd inte verktyget om inte skyddet är korrekt monterat.

### Montering av stödhandtaget (fig. B)

- ◆ Placera handtaget (5) på verktyget enligt bilden.
- ◆ Ställ in handtaget i det bekvämaste läget. Använd markeringarna som ledning.
- ◆ För skruven (6) genom stödhandtaget och huvudhandtaget.
- ◆ Drag in skruven i stödhandtagets borte ända. Dra inte åt skruven för hårt.

### Förvaring av spole som inte används (fig. C)

Verktyget har två klippssystem:

- ◆ Reflex plus: Automatiskt matad dubbellina för lätt trimning och kantklippning.
  - ◆ HDL: Klippssystem med grov linna för mer överväxta platser.
- Klippssystemet som inte används kan förvaras på den därtill avsedda platsen (16).
- ◆ Rikta trimspolens knappar gentemot öppningarna (28) i handtagets undersida.
  - ◆ Skjut in trimspolen i handtaget till det snäpper ordentligt på plats.

### Förvaring av den grova trimtråden (fig. C)

- ◆ Verktyget levereras med flera reservlängder av den grova tråden.
- ◆ De extra bitarna grov trimtråd kan förvaras säkert i facket i handtaget (14).

### Att frigöra trimtråden

Under transporten är trimtråden fasttejpad på spolhuset.

- ◆ Ta bort den tejp som håller fast trimtråden (13) vid spolhuset (12).

### Montering av den grova trimtråden (fig. G & L)

Din grästrimmare levereras med Reflex plus-spolen monterad. Gör så här för att montera den grova HDL-tråden:

- ◆ Dra ur kontakten.
- ◆ Håll knapparna (18) intryckta och ta ut spolskyddet (19) ur spolhuset (12) (fig. G).
- ◆ Kontrollera att en bit grov trimtråd är ordentligt monterad i trimspolen för grov trimtråd, se "Underhåll – Montering av en ny längd grov trimtråd" (se fig. L).
- ◆ Rikta knapparna på trimspolen för grov trimtråd gentemot öppningarna (22) i spolhuset (fig. G).
- ◆ Skjut fast trimspolen för grov trimtråd på spolhuset tills det snäpper ordentligt på plats.

### Nätanslutning av verktyget

- ◆ Anslut honkontakten på en lämplig förlängningsladd till elkontakten (4).
- ◆ För sladden genom sladdhållaren (3).
- ◆ Sätt i kontakten i ett vägguttag.

**Varning!** Förlängningsladden måste vara avsedd för utomhusbruk.

### Användning

**Varning!** Låt maskinen arbeta i sin egen takt. Överbelasta inte maskinen.

### Val av trimnings- eller kantklippningsläge (fig. D, E & F)

Verktyget kan antingen användas i trimningsläge, enligt figur D, eller i kantklippningsläge för klippning av gräs som sticker ut utanför kanten på gräsmattor och rabatter, enligt figur E.

**Varning!** Använd inte det grova klippsystemet för kantklippning.

#### Trimningsläge (fig. D & F)

Vid trimning ska trimningshuvudet vara i den position som framgår av figur D. Gör så här om det inte är det:

- ◆ Tryck in justeringsknappen (7).
- ◆ Vrid huvudet (9) medan du släpper knappen.
- ◆ När huvudet är på plats spärras knappen i det nya läget.

Obs! Huvudet kan endast vridas i en riktning.

#### Kantklippningsläge (fig. E & F)

Vid kantklippning ska trimningshuvudet vara i den position som framgår av figur E. Gör så här om det inte är det:

- ◆ Tryck in justeringsknappen (7).
- ◆ Vrid huvudet (9) medan du släpper knappen.
- ◆ När huvudet är på plats spärras knappen i det nya läget.

Obs! Huvudet kan endast vridas i en riktning.

**Varning!** Använd inte det grova klippsystemet för kantklippning.

### Justering av verktygets längd (fig. F)

Detta verktyg har en teleskopmekanism så att det kan ställas in till en bekväm höjd. Det har tre höjdställningar. Gör så här för att justera höjden:

- ◆ Tryck in justeringsknappen (7).
- ◆ Skjut skaftet (15) försiktigt in i eller ut ur motorhuset (9) till önskad höjd, släpp knappen.
- ◆ När skaftet är på plats spärras knappen i det nya läget.

### Starta och stoppa verktyget

- ◆ Starta verktyget genom att tryka in strömbrytaren (1).
- ◆ Släpp strömbrytaren för att stoppa verktyget.

**Varning!** Försök aldrig låsa strömbrytaren i startläge.

### Råd för bästa resultat

#### Allmänt

- ◆ För att få bästa möjliga resultat ska du bara klippa gräs som är torrt.

#### Trimning

- ◆ Håll verktyget enligt figur D.
- ◆ Sväng grästrimmaren lugnt fram och tillbaka.
- ◆ Arbeta i flera omgångar uppifrån om gräset är långt. Trimma bara lite gräs åt gången.
- ◆ Undvik hårda föremål och ömtåliga växter.
- ◆ Minska belastningen om verktyget börjar gå långsamt.

#### Kantklippning

De bästa resultaten får man om kanterna är djupare än 50 mm.

- ◆ Skär inte till nya kanter med verktyget. För att göra nya kanter ska du använda en kantspade.
- ◆ Led verktyget enligt figur E.
- ◆ Luta verktyget en aning om du vill klippa något närmare.

#### Skötsel

Ditt verktyg har tillverkats för att fungera under lång tid med ett minimum av underhåll. Med rätt underhåll och regelbunden rengöring behåller verktyget sina prestanda.

**Varning!** Vid underhåll och skötsel skall verktyget vara avstängt och sladden utdragen.

- ◆ Rengör regelbundet verktygets luftintag med en mjuk borste eller torr trasa.
- ◆ Gör ren trimtråden och spolen regelbundet med en mjuk borste eller torr trasa.
- ◆ Använd en trubbig skrapa för att regelbundet avlägsna gräs från skyddets undersida.

### Byte till en ny trimspole (fig. G & H)

Du köper nya spolar med trimtråd från din Black & Decker återförsäljare (kat.nr. A6441). Du kan också köpa hela kassetter, med en spole med trimtråd (kat.nr. A6488).

- ◆ Dra ur kontakten.
- ◆ Håll knapparna (18) intryckta och ta ut spolskyddet (19) ur spolhuset (12) (fig. G).
- ◆ Ta ut den tomma spolen (20) ur spolskyddet.
- ◆ Avlägsna eventuell smuts och gräs ur spolhuset och skyddet.
- ◆ Tryck på den nya spolen på navet i spolskyddet. Vrid lite på spolen så att den hamnar på plats ordentligt.
- ◆ Lösgör den ena änden av trimtråden och trä tråden genom ett av trådhålen (21) (fig. H). Tråden ska sticka ut ca. 11 cm utanför spolskyddet.
- ◆ Lösgör änden på den andra trimtråden och trä den genom det andra trådhålet. Tråden ska sticka ut ca. 11 cm utanför spolskyddet.
- ◆ Rikta knapparna (18) på spolskyddet gentemot öppningarna (22) i spolhuset (fig. G).
- ◆ Tryck på spolskyddet på spolhuset tills det snäpper på plats ordentligt.

**Varning!** Om trimtrådarna sticker ut utanför skärbladet (11) ska de kapas så att de bara når fram till bladet.

### Linda ny tråd på en tom spole (fig. I, J & K)

Du kan linda på ny tråd på en tom spole. Du köper nya förpackningar med trimtråd från din Black & Decker återförsäljare (kat.nr. A6440).

- ◆ Tag bort den tomma spolen från verktyget enligt beskrivningen ovan.
- ◆ Ta bort eventuell trimtråd som finns kvar på spolen.
- ◆ Linda först på ny tråd på den översta delen av spolen. Mata in 2 cm trimtråd genom ett av hålen i den övre delen av spolen enligt figuren.
  - Linda på trimtråden på spolen i pilens riktning. Linda tråden ordentligt i olika lager. Linda inte i kors.
  - Klipp av tråden när den lindade tråden kommit upp till slitsarna (24).
  - Fäst tråden tillfälligt i uttagen (23) på spolens ena sida enligt figuren.
- ◆ Gör likadant med den andra trimtråden, på spolens undre del. Fäst tråden i de lediga uttagen (23).
- ◆ Sätt spolen på plats enligt anvisningarna ovan. Glöm inte att sedan lösgöra trimtrådarna från uttagen (23).

**Varning!** Använd endast trimtråd som rekommenderas av Black & Decker.

Se till att det finns trimtråd i båda sektionerna av spolen (fig. K).

### Montering av en ny längd grov trimtråd (fig. G & L)

Du köper nya längder grov trimtråd från din Black & Decker återförsäljare (kat.nr. A6487). Gör så här för att montera en ny längd trimtråd:

- ◆ Dra ur kontakten.
- ◆ Håll knapparna (18) intryckta och avlägsna trimspolen för grov trimtråd (25) från spolhuset (12) (fig. G).
- ◆ Avlägsna den gamla längden lina från trimspolen för grov trimtråd.
- ◆ Tråd en ny längd trimtråd (26) genom hålen i trimspolen för grov trimtråd.
- ◆ Sätt klämmen (27) i det angivna läget.
- ◆ Rikta knapparna på trimspolen för grov trimtråd gentemot öppningarna (22) i huset (fig. G).
- ◆ Skjut fast trimspolen för grov trimtråd på spolhuset tills det snäpper ordentligt på plats.

### Felsökning

Följ anvisningarna nedan om något problem uppkommer.

Kontakta din auktoriserade Black & Decker serviceverkstad om du inte kan lösa problemet.

**Varning!** Stäng av apparaten och drag ur sladden innan du fortsätter.

### Verktyget går långsamt.

- ◆ Kontrollera att spolhuset kan rotera fritt. Rengör det försiktigt om det behövs.
- ◆ Kontrollera att trimtråden inte sticker ut ur spolhuset mer än 11 cm. Om den sticker ut längre ska den kapas så att den bara når fram till skärbladet.

### Den automatiska trådmatningen fungerar inte

- ◆ Håll knapparna intryckta och ta bort spolskyddet från spolhuset.
- ◆ Dra i trimtråden tills den sticker ut 11 cm utanför spolhuset. Om det är för lite tråd kvar på spolen byter du till en ny spole med trimtråd. Följ anvisningarna ovan.
- ◆ Rikta knapparna på spolskyddet gentemot öppningarna i spolhuset.
- ◆ Tryck på spolskyddet på spolhuset tills det snäpper på plats ordentligt.
- ◆ Om trimtråden sticker ut utanför skärbladet ska den kapas så att den bara når fram till bladet.

Prova följande olika åtgärder om den automatiska trådmatningen ändå inte fungerar, eller om spolen låst sig:

- ◆ Gör ren spolskyddet och spolen försiktigt.
- ◆ Ta bort spolen och kontrollera att armen kan röra sig.
- ◆ Ta bort spolen och linda av hela trimtråden. Linda sedan på den jämnt igen, enligt anvisningarna ovan. Sätt tillbaka spolen enligt anvisningarna.

## Miljö



När ditt verktyg är utslitet, skydda naturen genom att inte slänga det tillsammans med vanligt avfall. Lämna det till de uppsamlingsställen som finns i din kommun eller där du köpt verktyget.

## Tekniska data

		GL680	GL690
Ineffekt	W	500	630
Obelastad hastighet	min <sup>-1</sup>	8500/10000	8700/10300
Vikt	kg	2.6	2.9

## EC-förklaring om överensstämmelse

### GL680/GL690

Black & Decker förklarar att dessa produkter överensstämmer med: 98/37/EEG, 89/336/EEG, 73/23/EEG, EN 60335, EN 55014, EN 61000, 2000/14/EEG, Grästrimmare, L < 50 cm Annex VIII, No. 0086  
B.S.I., HP2 4SQ, Storbritannien

Ljudnivå, uppmätt enligt 2000/14/EEG:

$L_{pA}$  (bullernivå): 82 dB(A),  $L_{WA}$  (akustisk effekt) 95 dB(A),  $L_{WA}$  (garanterad) 96 dB(A)

Det vägda geometriska medelvärdet av vibrationsfrekvensen enligt EN 786: < 2.5 m/s<sup>2</sup>

Kevin Hewitt  
Director of Consumer Engineering  
Spennymoor, County Durham DL16 6JG,  
Storbritannien  
01-10-2002

## Reservdelar / reparationer

Reservdelar finns att köpa hos auktoriserade Black & Decker verkstäder, som även ger kostnadsförslag och reparerar våra produkter.

Förteckning över våra auktoriserade verkstäder finns på Internet, vår hemsida [www.blackdecker.se](http://www.blackdecker.se) samt [www.2helpU.com](http://www.2helpU.com).

## Garanti

Black & Decker garanterar att produkten är fri från material- och/eller fabriktionsfel vid leverans till kund. Garantin är i tillägg till konsumentens lagliga rättigheter och påverkar inte dessa. Garantin gäller inom medlemsstaterna i Europeiska Unionen och i det Europeiska Frihandelsområdet.

Om en Black & Decker produkt går sönder på grund av material- och/eller fabriktionsfel eller brister i överensstämmelse med specifikationen, inom 24 månader från köpet, åtar sig Black & Decker att reparera eller byta ut produkten med minsta besvär för kunden.

Garantin gäller inte för fel som beror på:

- ◆ normalt slitage
- ◆ felaktig användning eller skötsel
- ◆ att produkten skadats av främmande föremål, ämnen eller genom olyckshändelse

Garantin gäller inte om reparation har utförts av någon annan än en auktoriserad Black & Decker verkstad.

För att utnyttja garantin skall produkten och inköpskvittot lämnas till återförsäljaren eller till en auktoriserad verkstad senast 2 månader efter det att felet har upptäckts.

För information om närmaste auktoriserad verkstad; kontakta det lokala Black & Decker kontoret på den adress som är angiven i bruksanvisningen. En lista på alla auktoriserade verkstäder samt servicevillkor finns även tillgängligt på Internet, adress: [www.2helpU.com](http://www.2helpU.com).

## Bruksområde

Din Black & Decker gresstrimmer GL680/GL690 er beregnet på klipping og trimming av plenkanter og klipping av gress på vanskelig tilgjengelige steder. Verktøyet er kun beregnet på bruk i hjemmet.

## Sikkerhetsinstruksjoner

- ◆ **Advarsel!** Ved bruk av elektroverktøy må du alltid følge en del grunnleggende sikkerhetsregler, inkludert følgende, for å redusere faren for brann, elektrisk støt og personskade.
- ◆ Les hele bruksanvisningen før du begynner å bruke verktøyet.
- ◆ Vær sikker på at du vet hvordan man slår av verktøyet i et nødstilfelle før du begynner å bruke det.
- ◆ Håndboken beskriver hvordan apparatet skal brukes. Bruk bare tilbehør og utstyr som anbefales i denne bruksanvisningen, og kun som angitt her. Bruk av annet utstyr, tilbehør eller andre metoder kan medføre mulig risiko for personskade.
- ◆ Oppbevar denne håndboken på et lett tilgjengelig sted.

## Arbeidsområde

- ◆ Ikke utsett verktøyet for regn. Ikke bruk verktøyet i fuktige eller våte omgivelser.
- ◆ Bruk bare verktøyet i dagslys eller med bra belysning.

## Personlig vern

- ◆ Bruk solide sko eller støvler, slik at du beskytter føttene. Bruk ikke verktøyet når du bruker sandaler eller går barfoot.
- ◆ Beskytt bena ved å bruke langbukser.

## Bruke apparatet

- ◆ Pass på at verktøyet er slått av når du setter inn støpslet.
- ◆ Vær oppmerksom. Se på det du gjør. Bruk sunn fornuft.
- ◆ Bruk ikke verktøyet når du er trett.
- ◆ Hvis verktøyet begynner å vibrere på en unormal måte, slår du det av og trekker ut kontakten. Vent til roterende deler har stanset, og kontroller for eventuelle skader eller løse deler.
- ◆ Ikke trekk i ledningen når du skal kople fra støpslet. Utsett ikke ledningen for varme, olje, eller skarpe kanter.
- ◆ Hvis strømkabelen er blitt skadet under bruk, slår du av verktøyet og trekker ut støpslet umiddelbart. Du må ikke berøre strømledningen før du har koblet den fra strømforsyningen.

## Andre personers sikkerhet

- ◆ La aldri barn eller personer som ikke har lest denne bruksanvisningen benytte verktøyet.

- ◆ Ikke la barn, besøkende eller dyr komme i nærheten av arbeidsområdet eller berøre verktøyet eller strømledningen.
- ◆ Husk at brukeren kan holdes ansvarlig for ulykker eller skader som rammer andre mennesker eller deres eiendeler.

## Etter bruk

- ◆ Slå av verktøyet, trekk ut støpslet og kontroller at bevegelige deler har stanset før du går fra verktøyet, bytter, rengjør eller kontrollerer noen av delene på verktøyet.
- ◆ Når apparatet ikke er i bruk, må det oppbevares på et tørt sted. Oppbevares utilgjengelig for barn.

## Kontroll og reparasjon

- ◆ Før bruk må du kontrollere apparatet med hensyn til skader eller defekter. Kontroller at de bevegelige delene ikke har satt seg fast eller er feilmontert. Kontroller også at de øvrige delene og beskyttelsene ikke er skadet, og at det ikke foreligger noen andre feil som kan påvirke verktøyet funksjon.
- ◆ Bruk aldri apparatet hvis noen av delene er skadet. Ikke bruk verktøyet hvis det ikke er mulig å slå det på og av med strømbryteren.
- ◆ Bruk aldri verktøyet hvis beskyttelsesinnretningene er skadet eller ikke er på plass.
- ◆ Kontroller at verktøyet fungerer som det skal, og utfører beregnet funksjon.
- ◆ Hvis feil oppstår, skal delene repareres eller byttes ut av et autorisert serviceverksted.
- ◆ Før bruk må du kontrollere om strømledningen er skadet eller slitt.
- ◆ Bruk aldri verktøyet hvis strømledningen er skadet.
- ◆ Hvis strømledningen er skadet, må den byttes ut av en autorisert reparasjonstekniker for å unngå farlige situasjoner.
- ◆ Prøv aldri å fjerne eller skifte ut andre deler enn de som er angitt i denne bruksanvisningen.

## Elektrisk sikkerhet



Dette verktøyet er dobbeltisolert. Jordet ledning er derfor ikke nødvendig. Kontroller at nettspenningen er i overensstemmelse med spenningen på typeskiltet.

## Ekstra sikkerhetsinstruksjoner for gresstrimmere

Du finner følgende varselssymboler på verktøyet:



Les bruksanvisningen før du bruker verktøyet.



Ha på deg vernebriller når du bruker dette verktøyet.



Ikke tillat at barn og dyr oppholder seg nærmere arbeidsområdet enn 6 meter.



Ikke utsett verktøyet for regn eller miljøer med høy fuktighet.



Ikke bruk kraftige tråder ved kantklipping.

- ◆ Før du bruker verktøyet, må du sjekke at arbeidsområdet er fritt for kvister, steiner, ståltråder og andre gjenstander.
- ◆ Bruk bare verktøyet i riktig stilling, med trimmertråden mot bakken, som vist i illustrasjonene. Verktøyet må aldri slås på i andre stillinger.
- ◆ Når du slår på verktøyet, må du holde hender og føtter langt vekk fra trimmertråden.
- ◆ Unngå at trimmertråden kommer i kontakt med kroppsdeler mens verktøyet er i gang.
- ◆ Ikke arbeid i bratte skråninger. Pass på at du har godt fotfeste. Husk at nyklipt gress er fuktig og glatt.
- ◆ Vær forsiktig når du trimmer gress i nærheten av kanter, grus ganger eller veier, fordi trimmertråden kan slenge opp jord og grus.
- ◆ Legg ikke verktøyet fra deg før trimmertråden har stoppet fullstendig.
- ◆ Pass på at du bruker riktig type trimmertråd fra Black & Decker. Du må aldri bruke trimmertråder av metall eller fiskesnøre.
- ◆ Når du har strukket en ny trimmertråd, må verktøyet alltid settes tilbake i vanlig bruksposisjon før du slår det på.
- ◆ Pass på at ledningen holdes i god avstand fra trimmertråden. Pass på at du alltid vet hvor ledningen er.

## Funksjoner

Dette verktøyet har noen av eller alle følgende funksjoner:

1. Strømbryter (på/av-bryter)
2. Håndtak
3. Kabelholder
4. Strøminntak
5. Støttehåndtak
6. Håndtaksskrue
7. Justeringsknapp

8. Kabelkroker
9. Motorhus
10. Beskyttelse
11. Trådtrimmerblad (se fig. F)
12. Spolehus
13. Trimmertråd
14. Trådpose
15. Rør
16. Lagringsposisjon for spole

## Montering

**Advarsel!** Før monteringen må du passe på at verktøyet er slått av, og at kontakten er trukket ut.

### Montere beskyttelsen (fig. A)

- ◆ Fjern skruen (17) fra beskyttelsen (10).
- ◆ Sett beskyttelsen på maskinen som vist.
- ◆ Trykk beskyttelsen ned til den klikker på plass.
- ◆ Fest beskyttelsen med skruen.

**Advarsel!** Ikke bruk verktøyet med mindre beskyttelsen er satt riktig på.

### Sette på ekstrahåndtaket (fig. B)

- ◆ Plasser håndtaket (5) på maskinen som vist.
- ◆ Juster håndtaket til en komfortabel stilling. Bruk markeringene som veiledning.
- ◆ Før skruen (6) gjennom ekstrahåndtaket og hovedhåndtaket.
- ◆ Skru skruen inn på yttersiden av ekstrahåndtaket. Ikke stram skruen for mye.

### Oppbevaring av spolen når den ikke er i bruk (fig. C)

Verktøyet har to kuttesystemer:

- ◆ Refleks pluss: Dobbel automatisk trådmatning til lett klipping og kantklipping.
  - ◆ HDL (kraftig tråd): Bruk av kraftig tråd til mer tilvokste områder.
- Kuttesystemet som ikke er i bruk, kan oppbevares som vist (16).
- ◆ Juster tappene på kuttehodet etter sporene (28) på undersiden av håndtaket.
  - ◆ Skyv kuttehodet inn i håndtaket til det klikker på plass.

### Oppbevare kraftig tråd-system (fig. C)

- ◆ Klipperen leveres med flere kraftige trimmertråder.
- ◆ De ekstra delene kan lagres i sporet i håndtaket (14).

### Utløse trimmertråden

Ved forsendelse er trimmertråden tapet til spolehuset.

- ◆ Fjern tapen som fester trimmertråden (13) til spolehuset (12).



### Sette på den kraftige trimmertråden (fig. G & L)

Gresstrimmeren din leveres med Refleks pluss-spolen montert. Gjør slik for å sette på det kraftige trådsystemet:

- ◆ Trekk ut støpslet.
- ◆ Hold tappene (18) nede, og fjern spolebeskyttelsen (19) fra spolehuset (12) (fig. G).
- ◆ Pass på at en del av den kraftige trimmertråden er riktig montert på kuttehodet, som forklart under "Vedlikehold - Sette på den kraftige trimmertråden" (se fig. L).
- ◆ Sett tappene på kuttehodet på linje med sporene (22) i huset.
- ◆ Trykk det kraftige kuttehodet inn på huset til det klikker på plass.

### Kople verktøyet til strømtilførsel

- ◆ Koble hunnpluggen på en egnet skjøteledning til strøminntaket (4).
- ◆ Før kabelen i en sløyfe gjennom kabelholderen (3).
- ◆ Sett støpslet inn i et strømuttak.

**Advarsel!** Skjøteledningen må være egnet for utendørs bruk.

### Bruk

**Advarsel!** La verktøyet jobbe med sin egen hastighet. Ikke overbelast.

### Stille inn verktøyet for trimming eller kantklipping (fig. D, E & F)

Verktøyet kan brukes i trimmermodus, som vist i fig. D, eller i kantklippermodus for klipping av overhengende gress langs plenkanter og blomsterbed, som vist i fig. E.

**Advarsel!** Ikke bruk det kraftige kuttessystemet til kantklipping.

#### Trimmermodus (fig. D & F)

Ved trimming skal trimmerhodet være i posisjonen vist i fig. D. Hvis ikke:

- ◆ Trykk inn justeringsknappen (7).
- ◆ Roter hodet (9) mens du utløser knappen.
- ◆ Når hodet er i riktig posisjon, kan knappen låses på plass.

Merk: Hodet roterer kun i én retning.

#### Trimmermodus (fig. E & F)

Ved kantklipping skal trimmerhodet være i posisjonen vist i fig. E. Hvis ikke:

- ◆ Trykk inn justeringsknappen (7).
- ◆ Roter hodet (9) mens du utløser knappen.
- ◆ Når hodet er i riktig posisjon, kan knappen låses på plass.

Merk: Hodet roterer kun i én retning.

**Advarsel!** Ikke bruk det kraftige kuttessystemet til kantklipping.

### Justere klippehøyden (fig. F).

Dette verktøyet har en teleskopmekanisme, slik at du kan stille det til en komfortabel høyde. Det finnes tre høydeinnstillinger. Høydeinnstillingen kan justeres som følger:

- ◆ Trykk inn justeringsknappen (7).
- ◆ Trekk røret (15) forsiktig inn eller ut av motorhuset (9) til ønsket høyde, samtidig som du slipper knappen.
- ◆ Når røret er i riktig posisjon, kan knappen låses på plass.

### Slå på og av

- ◆ For å slå verktøyet på trykker du inn strømbryteren (1).
- ◆ Slipp strømbryteren for å slå av verktøyet.

**Advarsel!** Prøv aldri å låse strømbryteren i startstilling.

### Råd for optimalt resultat

#### Generelt

- ◆ Du oppnår optimale klipperesultater hvis du bare klipper tørt gress.

#### Trimming

- ◆ Hold verktøyet som vist i fig. D.
- ◆ Sving trimmeren forsiktig fra side til side.
- ◆ Arbeid i flere omganger fra toppen av gresset hvis dette er langt. Klipp lite om gangen.
- ◆ Hold verktøyet i god avstand fra harde gjenstander og følsomme vekster.
- ◆ Hvis verktøyet begynner å gå sakte, reduserer du belastningen.

#### Kantklipping

Optimale klipperesultater oppnås ved kanter som er dypere enn 50 mm.

- ◆ Ikke bruk verktøyet til å lage nye kanter. Bruk en kantspade når du skal lage nye kanter.
- ◆ Hold verktøyet som vist i fig. E.
- ◆ Vil du klippe tettere, vipper du litt på verktøyet.

### Vedlikehold

Ditt verktøy har blitt utformet for å være i drift over en lang periode med et minimum av vedlikehold. Med riktig vedlikehold og regelmessig rengjøring beholder verktøyet ytelsen.

**Advarsel!** For alt vedlikehold må verktøyet slås av og kontakten trekkes ut.

- ◆ Rengjør luftinntaket på verktøyet regelmessig med en myk børste eller en tørr klut.
- ◆ Rengjør trimmertråden og spolen regelmessig ved hjelp av en myk børste eller tørr klut.
- ◆ Bruk en butt skrape til å fjerne gress og smuss med jevne mellomrom fra undersiden av beskyttelsen.

## Sette på en ny spole med trimmertråd (fig. G & H)

Du får spoler med trimmertråd fra din Black & Decker-forhandler (kat. nr. A6441). Komplette kassetter med en spole trimmertråd er også tilgjengelig (kat. nr. 6488).

- ◆ Trekk ut støpslet.
- ◆ Hold tappene (18) nede, og fjern spolebeskyttelsen (19) fra spolehuset (12) (fig. G).
- ◆ Ta den tomme spolen (20) ut av spoledekslet.
- ◆ Fjern smuss og gress fra spoledekslet og -huset.
- ◆ Skyv den nye spolen inn på bøsningen i spoledekslet. Drei forsiktig på spolen til den sitter på plass.
- ◆ Hekte av den ene enden av trimmertråden og trær den inn i en av åpningene (21) (fig. H). Tråden skal stikke omtrent 11 cm ut av spoledekslet.
- ◆ Løse enden av den andre trimmertråden og trær den inn i den andre åpningen. Tråden skal stikke omtrent 11 cm ut av spoledekslet.
- ◆ Sett tappene (18) på spoledekslet på linje med sporene (22) i huset (fig. G).
- ◆ Trykk dekslet på huset til det klikker på plass.

**Advarsel!** Hvis trimmertrådene stikker ut forbi skjæreknivene (11), må de kuttes, slik at de så vidt når frem til bladet.

## Surre den nye tråden opp på en tom spole (fig. I, J & K)

Du kan vikle ny trimmertråd på en tom spole. Du får pakker med trimmertråd fra din Black & Decker forhandler (kat. nr. A6440).

- ◆ Ta den tomme spolen ut av verktøyet som forklart over.
- ◆ Fjern eventuell resterende trimmertråd fra spolen.
- ◆ Vikle først opp den nye tråden på den øverste delen av spolen:
  - Mat 2 cm trimmertråd inn i ett av hullene i øvre del av spolen, som vist.
  - Surr trimmertråden opp på spolen i pilens retning. Forsikre deg om at du vikler tråden jevnt og lagvis. Ikke gå på kryss og tvers.
  - Når den oppsurrede tråden når frem til innsparingene (24), kutter du den.
  - Fest tråden midlertidig i sporene (23) på siden av spolen, som vist.
- ◆ Gjenta fremgangsmåten ovenfor for den andre trimmertråden på nedre del av spolen. Fest tråden i de ubrukte sporene (23).
- ◆ Sett spolen på plass i verktøyet som forklart over. Ikke glem å løse trimmertråden fra sporene (23) der du festet den midlertidig.

**Advarsel!** Pass på at du bruker riktig type trimmertråd fra Black & Decker. Forsikre deg om at det er skjæretråd i begge seksjoner av spolen (fig. K).

## Sette på ny kraftig trimmertråd (fig. G & L)

Nye, kraftige trimmertråder er tilgjengelig fra din Black & Decker forhandler (kat. nr. A6487). Gjør som følger for å sette på en ny trimmertråd:

- ◆ Trekk ut støpslet.
- ◆ Hold tappene (18) nede, og fjern kuttehodet (25) fra huset (12) (fig. G).
- ◆ Ta av den brukte tråden fra kuttehodet.
- ◆ Trær en ny tråd (26) gjennom hullene i hodet.
- ◆ Sett midtbøsningen (27) i angitt posisjon.
- ◆ Sett tappene på kuttehodet på linje med sporene (22) i huset (fig. G).
- ◆ Trykk det kraftige kuttehodet inn på huset til det klikker på plass.

## Problemløsning

Hvis verktøyet ikke ser ut til å fungere som det skal, følger du instruksjonene nedenfor. Hvis dette ikke løser problemet, kontakter du et autorisert Black & Decker serviceverksted.

**Advarsel!** Før du går videre, slår du av maskinen og trekker ut støpslet.

## Verktøyet går sakte

- ◆ Sjekk at spolehuset kan rotere fritt. Rengjør det nøye, om nødvendig.
- ◆ Sjekk at skjæretråden ikke stikker mer enn 11 cm ut av spolehuset. Hvis den gjør det, kutt den av slik at den akkurat når frem til skjæreknivene.

## Automatisk trådmating fungerer ikke

- ◆ Hold tappene inne, og fjern spolelokket fra huset.
- ◆ Trekk ut trimmertråden til den stikker 11 cm ut av huset. Hvis det ikke er nok trimmertråd igjen på spolen, installer en ny spole med trimmertråd som forklart ovenfor.
- ◆ Sett tappene på spoledekslet på linje med sporene i huset.
- ◆ Trykk dekslet på huset til det klikker på plass.
- ◆ Hvis trimmertråden stikker lengre ut enn til skjæreknivene, kutt den av slik at den akkurat når frem til kniven.

Hvis den automatiske trådmatingen ikke fungerer, eller spolen har satt seg fast, kan du prøve disse løsningene:

- ◆ Rengjør spoledeksel og -hus nøye.
- ◆ Ta ut spolen, og sjekk om hendelen kan beveges fritt.
- ◆ Ta ut spolen, og vikle av trimmertråden. Vikle den så jevnt på igjen som forklart ovenfor. Sett spolen på plass som angitt.

## Miljø



Når verktøyet ditt er utslitt, beskytt naturen ved ikke å kaste det sammen med vanlig avfall. Lever det til en oppsamlingsplass som finnes i din kommune eller der hvor du kjøpte verktøyet.

## Tekniske data

	GL680	GL690
Inn-effekt	W 500	630
Hastighet ubelastet	min <sup>-1</sup> 8500/10000	8700/10300
Vekt	kg 2.6	2.9

## Samsvarserklæring for EU

### GL680/GL690

Black & Decker erklærer at disse produktene overholder:  
98/37/EC, 89/336/EEC, 73/23/EEC, EN 60335, EN 55014,  
EN 61000, 2000/14/EC, Plentrimmer, L < 50 cm  
Annex VIII, No. 0086  
B.S.I., HP2 4SQ, Storbritannia

Lydnivået, målt i henhold til 2000/14/EC:

$L_{PA}$  (lydtrykk): 82 dB(A),  $L_{WA}$  (akustisk effekt) 95 dB(A),  $L_{WA}$  (garantert) 96 dB(A)

Den veide geometriske middelverdien av vibrasjonsfrekvensen i følge EN 786: < 2.5 m/s<sup>2</sup>

Kevin Hewitt  
Director of Consumer Engineering  
Spennymoor, County Durham DL16 6JG,  
United Kingdom

## Reservdeler / reparasjoner

Reservdeler kan kjøpes hos autoriserte Black & Decker serviceverksteder, som også gir kostnadsoverslag og reparerer våre produkter.

Oversikt over våre autoriserte serviceverksteder finnes på Internet, vår hjemmeside [www.blackdecker.no](http://www.blackdecker.no) samt [www.2helpU.com](http://www.2helpU.com).

## Garanti

Black & Decker garanterer at produktet ikke har material- og/eller fabrikasjonsfeil ved levering til kunde. Garantien er i tillegg til kundens lovlige rettigheter og påvirker ikke disse. Garantien gjelder innen medlemsstatene i den Europeiske Unionen og i det Europeiske Frihandelsområdet.

Hvis et Black & Decker produkt går i stykker på grunn av material- og/eller fabrikasjonsfeil eller har mangler i forhold til spesifikasjonene, innen 24 måneder fra kjøpet, påtar Black & Decker seg å reparere eller bytte ut produktet med minst mulig vanskelighet for kunden.

Garantien gjelder ikke for feil som kommer av:

- ◆ normal slittasje
- ◆ feilaktig bruk eller vedlikehold (mislighold)
- ◆ at produktet har blitt skadet av fremmede gjenstander, emner eller ved et uhell

Det gjøres oppmerksom på at produktet ikke er beregnet på industriell/profesjonell/yrkesmessig bruk, men til hus- og hjemmebruk.

Garantien gjelder ikke om reparasjoner har blitt utført av noen andre enn et autorisert Black & Decker serviceverksted.

For å ta garantien i bruk skal produktet og kjøpekvittring leveres til forhandleren eller til et autorisert serviceverksted senest 2 måneder etter at feilen har blitt oppdaget. For informasjon om nærmeste autoriserte serviceverksted; kontakt det lokale Black & Decker kontoret på den adressen som er angitt i bruksanvisningen. En oversikt over alle autoriserte serviceverksteder samt servicevilkår finnes også tilgjengelig på Internet, adresse: [www.2helpU.com](http://www.2helpU.com).

## Anvendelsesområde

Denne Black & Decker græstrimmer GL680/GL690 er designet til trimning og færdiggørelse af græskanter og til slåning af græs på begrænsede arealer. Dette værktøj er kun beregnet til privat brug.

## Sikkerhedsinstruktioner

- ◆ Advarsel! Ved brug af eldrevet værktøj skal de grundlæggende sikkerhedsforanstaltninger, altid følges, således at risikoen for brand, elektrisk stød og personskader begrænses.
- ◆ Læs denne brugsanvisning omhyggeligt igennem, inden apparatet tages i brug.
- ◆ Inden du tager apparatet i brug, skal du sikre dig, at du ved, hvordan apparatet slukkes i et nødstilfælde.
- ◆ Værktøjet skal bruges som angivet i denne brugsanvisning. Anvendelsen af andet tilbehør eller udførelse af andre opgaver med denne maskine end de her anbefalede kan medføre risiko for personskader.
- ◆ Opbevar brugsanvisningen til fremtidig brug.

## Arbejdsområde

- ◆ Udsæt ikke maskinen for regn. Anvend ikke maskinen under fugtige eller våde forhold.
- ◆ Brug kun maskinen i dagslys eller med god kunstig belysning.

## Personlig beskyttelse

- ◆ Bær kraftige sko eller støvler til beskyttelse af fødderne. Man må ikke arbejde med apparatet, når man har åbne sandaler på eller er barfodet.
- ◆ Bær lange bukser til beskyttelse af benene.

## Brugen af apparatet

- ◆ Sørg for, at maskinen er slukket, når ledningen tilsluttes strømmen.
- ◆ Vær opmærksom. Se på det, du gør. Brug din sunde fornuft.
- ◆ Brug ikke maskinen, når du er træt.
- ◆ Hvis maskinen begynder at vibrere unormalt, skal det afbrydes, og stikket skal trækkes ud af stikkontakten. Lad de roterende dele standse helt, og undersøg maskinen for eventuelle skader og løse dele.
- ◆ Træk aldrig i ledningen for at tage stikket ud af kontakten. Ledningen skal holdes på afstand fra varme, olie og skarpe kanter.
- ◆ Hvis elledningen er blevet beskadiget under brug, skal maskinen slukkes, og stikket trækkes øjeblikkeligt ud af stikkontakten. Rør ikke ved elledningen, før den er trukket ud af stikkontakten.

## Andre personers sikkerhed

- ◆ Tillad ikke, at børn eller personer, der ikke har læst denne brugsanvisning, bruger maskinen.
- ◆ Børn, besøgende eller dyr må ikke nærme sig arbejdsområdet eller røre ved maskinen eller netkablet.
- ◆ Husk, at brugeren kan gøres ansvarlig for ulykker eller skader, der påføres andre personer eller deres ejendom.

## Efter brug

- ◆ Sluk maskinen, træk stikket ud af stikkontakten, og forvis dig om, at de bevægelige dele er holdt op med at rotere, før apparatet efterlades uden tilsyn, samt før en eller flere dele ændres, renses eller undersøges.
- ◆ Når apparatet ikke er i brug, skal det opbevares et tørt sted. Børn må ikke have adgang til det opbevarede apparat.

## Undersøgelse og reparation

- ◆ Før brug skal apparatet kontrolleres for skader eller defekte dele. Check de bevægelige dele for skæv indstilling og sammenbrændinger, kontrollér for brud på dele, skader på skærme og kontakter samt alt andet, der kan påvirke apparatets funktion.
- ◆ Apparatet må ikke benyttes, hvis en af delene er beskadiget eller defekt. Brug ikke maskinen, hvis den ikke kan tændes og slukkes ved hjælp af afbryderen.
- ◆ Brug aldrig maskinen, hvis en af sikkerhedsskærmene eller afskærmningerne er beskadiget eller fjernet.
- ◆ Kontrollér, at maskinen fungerer rigtigt og kan udføre det arbejde, det er beregnet til.
- ◆ Skadede eller defekte dele skal repareres eller udskiftes af en autoriseret tekniker.
- ◆ Før brug skal ledningen kontrolleres for tegn på skader, ældning og slid.
- ◆ Brug ikke maskinen, hvis ledningen er beskadiget eller defekt.
- ◆ Hvis ledningen er skadet, skal den udskiftes af en autoriseret reparatør for at undgå faresituationer.
- ◆ Forsøg aldrig at fjerne eller udskifte andre dele end dem, der er specificeret i denne brugsanvisning.

## Elektrisk sikkerhed



Værktøjet er dobbelt isoleret; derfor er jordledning ikke nødvendig. Kontrollér altid, at strømforsyningen svarer til spændingen på typeskiltet.

## Ekstra sikkerhedsvejledning til græstrimmere

Følgende advarselssymboler findes på apparatet:



Læs brugsanvisningen igennem, inden værktøjet tages i brug.



Man skal bære sikkerhedsbriller, når man arbejder med dette værktøj.



Hold mennesker og dyr mindst 6 meter fra slåområdet.



Udsæt ikke maskinen for regn eller høj fugtighed.



Der må ikke benyttes kraftig tråd i kantklipningsindstilling.

- ◆ Før du benytter maskinen, skal du kontrollere, at græsslåningsområdet er fri for pinde, sten, tråd eller andre genstande.
- ◆ Brug kun værktøjet, mens du står oprejst med trimmertråden nede ved jorden som vist på illustrationerne. Tænd aldrig for maskinen, når det er i en anden position.
- ◆ Tænd kun for værktøjet, når hænder og fødder er i sikker afstand fra trimmertråden.
- ◆ Undgå kropskontakt med trimmertråden, mens værktøjet er i gang.
- ◆ Arbejd ikke på meget stejle skrånninger. Sørg for, at du har et sikkert fodfæste. Vær opmærksom på, at frisk afskåret græs er fugtigt og fedtet.
- ◆ Pas på ved trimning i nærheden af kanter og grusstier eller veje, idet sten og jord kan sættes i bevægelse af trimmertråden.
- ◆ Sæt ikke værktøjet fra dig, før trimmertråden er fuldstændigt stoppet.
- ◆ Brug kun den rigtige type trimmertråd fra Black & Decker. Brug aldrig trimmertråd af metal eller fiskesnøre.
- ◆ Efter at have trukket ny trimmertråd frem skal man altid sætte værktøjet tilbage til normal arbejdsposition, før man tænder for det igen.
- ◆ Vær omhyggelig med at holde strømkablet væk fra trimmertråden. Vær altid opmærksom på, hvor ledningen er.

## Funktioner

Dette værktøj har nogle af følgende funktioner eller dem alle:

1. Udløserarm (strømafbryder)
2. Håndtag
3. Ledningsholder
4. Elstik

5. Støtthåndtag
6. Håndtagsgreb
7. Justeringsknop
8. Ledningskrog
9. Motorhus
10. Beskyttelseskærm
11. Skærebånd til trimmertråd (se fig. F)
12. Spolehus
13. Trimmertråd
14. Hylster til opbevaring af tråden
15. Skaft
16. Spoleopbevaringssted

## Montering

**Advarsel!** Før montering skal man sikre sig, at værktøjet er slukket og taget ud af stikkontakten.

### Påsætning af beskyttelseskærmen (fig. A)

- ◆ Fjern skruen (17) fra beskyttelseskærmen (10).
- ◆ Placer beskyttelseskærmen på værktøjet som vist.
- ◆ Tryk på beskyttelseskærmen, indtil den klikker på plads.
- ◆ Fastgør beskyttelseskærmen med skruen.

**Advarsel!** Brug aldrig værktøjet, hvis beskyttelseskærmen ikke sidder ordentligt fast.

### Montering af støtthåndtaget (fig. B)

- ◆ Placer håndtaget (5) på værktøjet som vist.
- ◆ Sæt håndtaget i den mest behagelige stilling. Brug markeringerne som retningslinjer.
- ◆ Stik boltene (6) gennem støtthåndtaget og hovedhåndtaget.
- ◆ Skru boltene i den fjerne side af støtthåndtaget. Stram ikke boltene for meget.

### Opbevaring af spolen, når den ikke er i brug (fig. C)

Værktøjet har to trimningssystemer:

- ◆ Reflex plus: Dobbelt trådføder til let trimning og kantklipping.
- ◆ HDL: Trimningssystem med kraftig tråd til mere overgroede områder.

Trimningssystemet kan opbevares i den angivne stilling (16), når det ikke er i brug.

- ◆ Justér taperne på trimspolen efter hullerne (28) ved undersiden af håndtaget.
- ◆ Skub trimspolen på plads i håndtaget, indtil det klikker sikkert på plads.

### Opbevaring af den kraftige trimmertråd (fig. C)

- ◆ Enheden leveres med flere stykker kraftig reservetrimmertråd.
- ◆ De ekstra stykker kraftig trimmertråd kan opbevares sikkert i rummet i håndtaget (14).

## Løsning af trimmertråden

Når maskinen pakkes ud af emballagen er trimmer tråden tapet fast til spolehuset.

- ◆ Fjern den tape, der fæster trimmertråden (13) til spolehuset (12).

## Montering af den kraftige trimmertråd (fig. G og L)

Din trimmer leveres med Reflex Plus-spolen monteret. Monter HDL trimningssystemet med kraftig tråd ved at gøre følgende:

- ◆ Maskinen skal være slukket.
- ◆ Tryk tapperne (18) ind og hold dem, og fjern spoledækslet (19) fra huset (12) (fig. G).
- ◆ Sørg for, at et stykke af den kraftige trimmertråd er korrekt monteret på trimspolen med grov trimmertråd, som beskrevet i afsnittet "Vedligeholdelse - Isætning af et nyt stykke kraftig trimmertråd" (se fig. L).
- ◆ Justér tapperne på trimspolen med kraftig trimmertråd efter hullerne (22) i spolehuset (fig. G).
- ◆ Skub trimspolen med grov trimmertråd på plads i spolehuset, indtil det klikker sikkert på plads.

## Tilslutning af værktøjet til elnettet

- ◆ Sæt hunstikket på en passende forlængerledning i elstikket (4).
- ◆ Før ledningen gennem holderen (3).
- ◆ Indsæt stikket i stikkontakten.

**Advarsel!** Forlængerledningen skal være velegnet til udendørs brug.

## Brug

**Advarsel!** Lad værktøjet arbejde i dets eget tempo. Det må ikke overbelastes.

## Indstilling af værktøjet til trimnings- eller kantklipningsindstilling (fig. D, E og F)

Værktøjet kan bruges i trimningsindstilling som vist på fig. D eller i kantklipningsindstilling for at trimme udhængende græs langs med græsplænekanten og blomsterbedene som vist på fig. E.

**Advarsel!** Trimningssystemet med kraftig tråd må ikke benyttes til kantklipping.

## Trimningsindstilling (fig. D og F)

Til trimming skal trimmerens hoved være i den position, der er vist på fig. D. Hvis den ikke er det, skal du gøre følgende:

- ◆ Tryk på justeringsknappen (7).
- ◆ Drej hovedet (9), mens knappen slippes.
- ◆ Når hovedet er i position, låser knappen på plads.

Bemærk: Hovedet vil kun dreje i den ene retning.

## Kantklipningsindstilling (fig. E og F)

Til kantklipping skal trimmerens hoved være i den position, der er vist på fig. E. Hvis den ikke er det, skal du gøre følgende:

- ◆ Tryk på justeringsknappen (7).
- ◆ Drej hovedet (9), mens knappen slippes.
- ◆ Når hovedet er i position, låser knappen på plads.

Bemærk: Hovedet vil kun dreje i den ene retning.

**Advarsel!** Trimningssystemet med kraftig tråd må ikke benyttes til kantklipping.

## Justering af værktøjets højde (fig. F)

Dette værktøj har en teleskopisk mekanisme, så du kan indstille det til den mest behagelige højde. Der er tre højdeindstillinger. Gør følgende for at justere højdeindstillingen:

- ◆ Tryk på justeringsknappen (7).
- ◆ Træk forsigtigt skaftet (15) ind eller ud af motorhuset (9) til den ønskede højde, mens knappen slippes.
- ◆ Når skaftet er i position, låser knappen på plads.

## Tænding og slukning

- ◆ Tænd for værktøjet ved at trykke på startknappen (1).
- ◆ Sluk for værktøjet ved at slukke på knappen.

**Advarsel!** Forsøg aldrig at fastlåse startknappen i tændt position.

## Gode råd til optimalt brug

### Generelt

- ◆ Hvis du vil opnå optimale klipperesultater, skal du kun klippe, når græsset er tørt.

### Trimning

- ◆ Hold værktøjet som vist på fig. D.
- ◆ Sving trimmeren blødt fra side til side.
- ◆ Hvis du arbejder i højt græs, skal du slå det i flere omgange fra toppen. Tag små afskæringer ad gangen.
- ◆ Hold værktøjet væk fra hårde objekter og sarte planter.
- ◆ Hvis værktøjet begynder at køre langsomt, skal du reducere belastningen.

### Kantklipping

Du opnår de mest optimale klipningsresultater på kanter, der er dybere end 50 mm.

- ◆ Brug ikke værktøjet til at lave kanter med. Brug i stedet en kantspade.
- ◆ Før værktøjet som vist på fig. E.
- ◆ Stil værktøjet skråt, hvis du vil lave en tættere klipping.

## Vedligeholdelse

Værktøjet er beregnet til at være i drift gennem en længere periode med minimal vedligeholdelse. Forsat tilfredsstillende drift afhænger af korrekt behandling af værktøjet samt regelmæssig rengøring.

**Advarsel!** Før udførelse af vedligeholdelsesarbejde skal værktøjet slukkes og tages ud af stikkontakten.

- ◆ Man skal regelmæssigt rengøre værktøjets ventilationshuller med en blød børste eller en tør klud.
- ◆ Rens regelmæssigt trimmertråden og spolen med en blød børste eller en tør klud.
- ◆ Brug jævnlige stump skraber til at fjerne græs og snavs fra undersiden af beskyttelseskærmen.

## Montering af en ny trimmertråd-spole (fig. G og H)

Nye spoler med trimmertråd kan fås hos din Black & Decker-forhandler (art. no. A6441). Desuden kan man få en hel kassette med en spole med trimmertråd (art. no. 6488).

- ◆ Afbryd værktøjet.
- ◆ Tryk tapperne (18) ind og hold dem, og fjern spoledækslet (19) fra huset (12) (fig. G).
- ◆ Fjern den tomme spole (20) fra spoledækslet.
- ◆ Fjern al snavs og græs fra spoledækslet og -huset.
- ◆ Tag den nye spole, og skub den på navet i spoledækslet. Drej spolen let, til den sidder fast.
- ◆ Klip enden af en af trimmertrådene, og stik den ind gennem et af øjerne (21) (fig. H). Tråden skal stikke ca. 11 cm ud fra spoledækslet.
- ◆ Klip enden af den anden trimmertråd, og før den ind gennem det andet øje. Tråden skal stikke ca. 11 cm ud fra spoledækslet.
- ◆ Tilpas tapperne (18) på spoledækslet til hullerne (22) i huset (fig. G).
- ◆ Skub dækslet på spolehuset, indtil det klikker sikkert på plads.

**Advarsel!** Hvis trimmertrådene stikker ud på den anden side af skærebladet på trimmeren (11), skal de skæres af, så de netop når skærebladet.

## Sådan snos en ny tråd på en tom spole (fig. I, J og K)

Du kan sno en ny trimmertråd på en tom spole. Nye pakker med trimmertråd kan fås hos din Black & Decker-forhandler (cat. no. A6440).

- ◆ Fjern den tomme spole fra værktøjet som beskrevet ovenfor.
- ◆ Fjern al resterende trimmertråd fra spolen.
- ◆ Vind den nye tråd på den yderste del af spolen først:
  - Stik 2 cm af trimmertråden ind i en af rillerne i den øverste del af spolen som vist.

- Sno trimmertråden på spolen i pilens retning. Sørg for at sno tråden pænt og i lag. Lav ikke vindinger på kryds og tværs.
- Når den vundne trimmertråd er nået til markeringerne (24), skæres tråden af.
- Sæt tråden midlertidigt ind i rillerne (23) på den ene side af spolen som vist.
- ◆ Gentag ovenstående procedure for den anden trimmertråd på den nederste del af spolen. Parkér tråden i de ubenyttede riller (23).
- ◆ Fortsæt som beskrevet ovenfor med at sætte spolen på værktøjet. Glem ikke at løsne trimmertråden fra de riller, hvor den er placeret (23).

**Advarsel!** Brug kun den rigtige type trimmertråd fra Black & Decker. Sørg for, at der er trimmertråd i begge dele af spolen (fig. K).

## Montering af et nyt stykke kraftig trimmertråd (fig. G og L)

Nye pakker med trimmertråd kan fås hos din Black & Decker-forhandler (art. no. A6487). Monter et nyt stykke trimmertråd ved at gøre følgende:

- ◆ Afbryd værktøjet.
- ◆ Tryk tapperne (18) ind og hold dem, og fjern trimspolen med grov trimmertråd (25) fra spolehuset (12) (fig. G).
- ◆ Fjern den brugte tråd fra trimspolen.
- ◆ Stik et nyt stykke tråd (26) gennem hullerne i trimspolen.
- ◆ Sæt klemmen (27) i den angivne stilling.
- ◆ Justér tapperne på trimspolen efter hullerne (22) i huset (fig. G).
- ◆ Skub trimspolen fast på spolehuset, indtil det klikker sikkert på plads.

## Fejlfinding

Hvis værktøjet ikke virker korrekt, skal du gøre følgende. Hvis det ikke løser problemet, kontaktes et Black & Decker servicecenter.

**Advarsel!** Afbryd værktøjet, og tag stikket ud af stikkontakten, før du fortsætter.

## Værktøjet kører langsomt

- ◆ Kontrollér, at spolehuset kan rotere frit. Rens det eventuelt.
- ◆ Kontrollér, at trimmertråden ikke stikker mere end 11 cm ud fra spolehuset. Hvis det er tilfældet, skal den skæres af, så den netop når skærebladet til trimmertråden.

## Den automatiske trådføder virker ikke

- ◆ Hold tapperne inde, og fjern spoledækslet fra huset.

- ◆ Træk i trimmertråden, til den stikker 11 cm ud fra huset. Hvis der ikke er tilstrækkelig meget tråd på spolen, skal du indsætte en ny spole trimmertråd som beskrevet ovenfor.
- ◆ Tilpas tapperne på spoledækslet til hullerne i huset.
- ◆ Skub dækslet på spolet huset, indtil det klikker sikkert på plads.
- ◆ Hvis trimmertråden stikker ud på den anden side af skærebladet på trimmeren, skal den skæres af, så den netop når skærebladet.

Hvis den automatiske trådføder stadig ikke virker, eller hvis spolen er blokeret, kan du prøve følgende:

- ◆ Rens omhyggeligt spoledækslet og -huset.
- ◆ Fjern spolen, og kontrollér, at armen kan bevæge sig frit.
- ◆ Fjern spolen, og sno trimmertråden af. Vind den derefter pænt på spolen igen som beskrevet ovenfor. Sæt spolen på plads igen som beskrevet.

## Miljø



Når dit værktøj er udtjent, beskyt da naturen ved ikke at smide det ud sammen med det almindelige affald. Aflever det på den genbrugsstation, der findes i din kommune eller der hvor du købte værktøjet.

## Tekniske data

		GL680	GL690
Indgangseffekt	W	500	630
Ubelastet hastighed	min <sup>-1</sup>	8500/10000	8700/10300
Vægt	kg	2.6	2.9

## EC overensstemmelseserklæring

### GL680/GL690

Black & Decker erklærer, at disse produkter overholder følgende: 98/37/EC, 89/336/EEC, 73/23/EEC, EN 60335, EN 55014, EN 61000, 2000/14/EC, Græstrimmer, L < 50 cm Annex VIII, No. 0086 B.S.I., HP2 4SQ, UK

Lydniveaueu målt i henhold til 2000/14/EC:

$L_{pA}$  (lydtryk): 82 dB(A),  $L_{WA}$  (lydintensitet) 95 dB(A),  $L_{WA}$  (garanteret) 96 dB(A)

Den vægtede geometriske middelværdi af accelerationsfrekvensen, målt i henhold til EN 786: < 2.5 m/s<sup>2</sup>

Kevin Hewitt  
Direktør for forbrugerteknik  
Spennymoor, County Durham DL16 6JG,  
UK  
01-10-2002

## Reserve dele / reparationer

Reserve dele kan købes hos autoriserede Black & Decker serviceværksteder, som giver forslag til omkostninger og reparerer vore produkter. Oversigt over vore autoriserede værksteder findes på internettet på vor hjemmeside [www.blackdecker.dk](http://www.blackdecker.dk) samt [www.2helpU.com](http://www.2helpU.com).

## Garanti

Black & Decker garanterer, at produktet er fri for materielle skader og/eller fabriktionsfejl ved levering til kunden. Garantien er et tillæg til konsumentens lovlige rettigheder og påvirker ikke disse. Garantien gælder indenfor medlemsstaterne af den Europæiske Union og i det Europæiske Frihandelsområde.

Hvis et Black & Decker produkt går i stykker på grund af materiel skade og/eller fabriktionsfejl eller på anden måde ikke fungerer i overensstemmelse med specifikationen, inden for 24 måneder fra købsdatoen, påtager Black & Decker sig at reparere eller ombytte produktet med mindst muligt besvær for kunden.

Garantien gælder ikke for fejl og mangler, der er sket i forbindelse med:

- ◆ normal slitage
- ◆ uheldige følger efter unormal anvendelse af værktøjet
- ◆ overbelastning, hæværk eller overdrevent intensivt brug af værktøjet
- ◆ ulykkehændelse

Garantien gælder ikke hvis reparationer er udført af nogen anden end et autoriseret Black & Decker værksted.

For at udnytte garantien skal produktet og købskvitteringen indleveres til forhandleren eller til et autoriseret værksted, senest 2 måneder efter at fejlen opdages. For information om nærmeste autoriserede værksted: kontakt det lokale Black & Decker kontor på den adresse som er opgivet i brugsanvisningen. Liste over alle autoriserede Black & Decker serviceværksteder samt servicevilkår er tilgængelig på internettet, på adressen [www.2helpU.com](http://www.2helpU.com).



## Käyttötarkoitus

Black & Decker -nurmikonviimeistelijä GL680/GL690 on suunniteltu nurmikon reunojen viimeistelyyn ja nurmikon leikkaukseen ahtaissa paikoissa. Kone on tarkoitettu kotikäyttöön.

## Turvallisuusohjeet

- ◆ Varoitus! Sähkötyökaluja käytettäessä on aina noudatettava mm. seuraavia turvallisuusohjeita, jotta tulipalojen, sähköiskujen ja henkilövahinkojen riski olisi mahdollisimman pieni.
- ◆ Lue käyttöohje huolellisesti ennen koneen käyttöönottoa.
- ◆ Varmista, että osaat sammuttaa koneen, ennen kuin käynnistät sen.
- ◆ Koneen käyttötarkoitus kuvataan tässä käyttöohjeessa. Käytä konetta ainoastaan sellaiseen työhön, johon se on tarkoitettu, ja käytä vain käyttöohjeessa suositeltuja tarvikkeita ja lisälaitteita. Ohjeesta poikkeava käyttö voi aiheuttaa onnettomuuden.
- ◆ Säilytä käyttöohje kaikkien koneen käyttäjien ulottuvilla.

## Työskentelyalue

- ◆ Älä altista konetta sateelle. Älä käytä sitä kosteissa tai valaise työskentelyalue hyvin.
- ◆ Käytä konetta vain päivänvalossa tai voimakkaassa keinovalaistuksessa.

## Suojavaatetus

- ◆ Suojele jalkojasi käyttämällä tukevia kenkiä tai saappaita. Älä käytä konetta avojaloin tai avokärkiset sandaalit jalassa.
- ◆ Käytä pitkiä housuja suojataksesi jalkoja.

## Koneen käyttäminen

- ◆ Varmista, että kone on pois päältä, ennen kuin kytket sen virtalähteeseen.
- ◆ Ole tarkkaavainen. Keskeytä työhösi. Käytä tervettä järkeä.
- ◆ Älä käytä sähkötyökalua, kun olet väsynyt.
- ◆ Jos kone alkaa täristä epänormaalisti, kytke se pois päältä ja irrota pistoke virtalähteestä. Odota, kunnes pyörivät osat ovat pysähtyneet ja tarkista, onko kone vaurioitunut tai osat löystyneet.
- ◆ Älä koskaan irrota pistoketta virtalähteestä vetämällä johdosta. Suojaa johto kuumuudelta, öljyltä ja teräviltä reunoilta.
- ◆ Jos sähköjohto vaurioituu käytön aikana, sammuta kone ja irrota pistoke virtalähteestä välittömästi. Älä liikuta sähköjohtoa ennen irrotusta verkkovirrasta.

## Muiden turvallisuus

- ◆ Älä anna lasten tai kenenkään, joka ei ole lukenut tätä käyttöohjetta tai tutustunut koneeseen, käyttää konetta.

- ◆ Älä anna lasten, vieraiden tai eläinten tulla lähelle työskentelyaluetta tai koskea koneeseen tai sähköjohtoon.
- ◆ Muista, että käyttäjä on vastuussa muille ihmisille tai heidän omaisuudelleen aiheutuvista onnettomuuksista tai vaaratilanteista.

## Käytön jälkeen

- ◆ Sammuta kone, irrota pistoke virtalähteestä ja varmista, että liikkuvien osien pyörintä on loppunut, ennen kuin jätät koneen ilman valvontaa sekä ennen koneen osien vaihtoa, puhdistusta tai tarkastusta.
- ◆ Säilytä konetta kuivassa paikassa, kun se ei ole käytössä. Varmista, että lapset eivät pääse käsiksi koneisiin.

## Tarkastus ja korjaukset

- ◆ Tarkista ennen käyttöä, ettei koneessa ole vaurioita tai viallisia osia. Tarkista, etteivät liikkuvat ja muut osat sekä suoja ole viallisia, ja että kaikki muut käyttöön mahdollisesti vaikuttavat tekijät ovat kunnossa.
- ◆ Älä käytä konetta, jos jokin sen osista on viallinen. Älä käytä konetta, jos se ei käynnisty ja pysähdy virrankatkaisijasta.
- ◆ Älä koskaan käytä konetta, jos jokin suoja tai kotelo on vaurioitunut tai ei ole paikallaan.
- ◆ Varmista, että kone toimii oikein ja täyttää tehtävänsä.
- ◆ Viallinen osa tulee korjata tai vaihtaa valtuutetussa Black & Deckerin huoltoliikkeessä.
- ◆ Tarkista sähköjohto ennen käyttöä vaurioiden, vanhenemisen tai kulumien varalta.
- ◆ Älä koskaan käytä konetta, jos sähköjohto on vaurioitunut tai viallinen.
- ◆ Jos sähköjohto on vaurioitunut, sen saa vaihtaa vain valtuutetussa Black & Deckerin huoltoliikkeessä vaaratilanteiden välttämiseksi.
- ◆ Älä koskaan yritä irrottaa tai vaihtaa sellaisia osia, joita ei ole määritelty tässä oppaassa.

## Sähköinen turvallisuus



Kone on kaksoiseristetty: siksi ei tarvita erillistä maadoitusta. Tarkista aina, että virtalähde vastaa arvokilvessä ilmoitettua jännitettä.

## Lisäturvallisuusohjeet nurmikoniimeistelijälle

Koneessa on seuraavat varoitusmerkit:



Lue käyttöohje huolellisesti ennen koneen käyttöönottoa.



Käytä suojalaseja konetta käyttäessäsi.



Työskentele vähintään 6 m:n etäisyydellä ihmisistä ja eläimistä.



Älä altista konetta sateelle tai kosteudelle.



Älä käytä vaativien käyttöolosuhteiden siimaa viimeisteltäessä nurmikon reunoja.

- ◆ Tarkista ennen koneen käyttöä, ettei työskentelyalueella ole oksia, kiviä, metallilankaa tai muita esteitä.
- ◆ Käytä konetta vain oikeassa asennossa leikkuulanka lähellä maata kuvan mukaisesti. Älä koskaan käynnistä konetta missään muussa asennossa.
- ◆ Ennen käynnistystä varmista, että kädet ja jalat ovat pois leikkuulangan tieltä.
- ◆ Vältä kosketusta leikkuulankaan koneen ollessa käynnissä.
- ◆ Älä työskentele jyrkissä rinteissä. Varmista, että seisot tukevasti. Muista, että juuri leikattu ruoho on kosteaa ja liukasta.
- ◆ Ole varovainen viimeistellessäsi reunoja, sorapolkuja tai teitä, sillä leikkuulangasta voi singota kiviä ja multaa.
- ◆ Älä laita konetta maahan, ennen kuin leikkuulanka on täysin pysähtynyt.
- ◆ Käytä vain Black & Deckerin suosittelemaa leikkuulankaa. Älä koskaan käytä metallista leikkuulankaa tai ongensiimaa.
- ◆ Kun olet pidentänyt uutta leikkuulankaa, aseta kone aina takaisin normaaliin käyttöasentoon ennen käynnistämistä.
- ◆ Pidä sähköjohto pois leikkuulangan tieltä. Varmista, että tiedät aina johdon sijainnin.

## Yleiskuvasu

Tällä koneella on kaikki tai osa seuraavista ominaisuuksista.

1. Virrankatkaisija
2. Kädensija
3. Johtopidätin
4. Virransyöttöliitäntä
5. Lisäkädensija
6. Kädensijan säätöruuvi
7. Lukitusnappi
8. Johdon kiinnityskoukut
9. Moottorikotelo

10. Suoja
11. Langan leikkuuterä (katso kuva F)
12. Kelakotelo
13. Leikkuulanka
14. Irtolankojen säilytyskotelo
15. Varsi
16. Varakelan pidike

## Kokoaminen

**Varoitus!** Ennen kokoamista varmista, että kone on pois päältä eikä sitä ole liitetty virtalähteeseen.

### Suojan kiinnittäminen (kuva A)

- ◆ Irrota ruuvi (17) suojasta (10).
- ◆ Aseta suoja koneeseen kuvan osoittamalla tavalla.
- ◆ Paina suojaa lujasti, kunnes se napsahtaa paikalleen.
- ◆ Kiinnitä suoja ruuvilla.

**Varoitus!** Älä koskaan käytä konetta, jos suojaa ei ole kiinnitetty oikein paikalleen.

### Lisäkädensijan kiinnittäminen (kuva B)

- ◆ Aseta kädensija (5) työkaluun kuvan osoittamalla tavalla.
- ◆ Säädä kädensija mukavimpaan asentoon. Käytä merkintöjä ohjeena.
- ◆ Aseta pultti (6) lisäkädensijan ja pääkädensijan läpi.
- ◆ Kierrä pultti lisäkädensijan takasivuun. Älä kiristä ruuveja liikaa.

### Kelan säilyttäminen, kun kela ei käytössä (kuva C)

Koneessa on kaksi leikkausjärjestelmää:

- ◆ Reflex plus -leikkausjärjestelmä Kahden langan automaattinen syöttö kevyttä siistimistä ja reunojen tasoittamista varten.
- ◆ HDL-lanka paksun ja pitkän ruohon viimeistelyyn. Kun leikkuukelaa ei käytetä voidaan se säilyttää sille varatussa paikassa (16).
- ◆ Kohdista kelassa olevat nupit kädensijan alapuolella oleviin aukkoihin (28).
- ◆ Paina kela kahvaan, kunnes se napsahtaa kiinni paikalleen.

### HDL-langan säilyttäminen (kuva C)

- ◆ Laitteen mukana toimitetaan useita HDL-lankoja.
- ◆ HDL-varalangat voidaan säilyttää kädensijan syvennyksessä (14).

### Leikkuulangan vapauttaminen

Leikkuulanka on teipattu kiinni kelakoteloon kuljetuksen ajaksi.

- ◆ Irrota leikkuulangan (13) kelakoteloon (12) kiinnittävä teippi.

### HDL-langan asentaminen (kuvat G & I)

Nurmikonviimeistelijä toimitetaan Reflex plus -kela asennettuna. Asettaaksesi HDL-langan toimi seuraavasti:

- ◆ Irrota kone virtalähteestä.
- ◆ Pidä kelan suojuksen kielekkeitä (18) painettuna ja poista kelan suojus (19) kotelosta (12) (kuva G).
- ◆ Varmista, että HDL-lanka on kunnolla kiinnitetty HDL-kelaan, katso "Huolto – uuden HDL-langan kiinnittäminen" (katso kuva I).
- ◆ Kohdista HDL-kelan nupit kohti kelan kotelon aukkoja (22) (kuva G).
- ◆ Työnnä HDL-kela kelakoteloon, kunnes se napsahtaa kiinni paikalleen.

### Koneen liittäminen verkkovirtaan

- ◆ Kiinnitä sopivan jatkojohdon naarasliitin virransyöttöliitäntään (4).
- ◆ Kierrä johto johdon pidikkeen kautta (3).
- ◆ Laita pistoke virtalähteeseen.

**Varoitus!** Jatkojohdon tulee olla ulkoikäyttöön tarkoitettu.

### Käyttö

**Varoitus!** Anna koneen käydä omaan tahtiinsa. Älä ylikuormita sitä.

### Koneen asettaminen viimeistely- tai reunaleikkuuasentoon (kuvat D, E & F)

Konetta voidaan käyttää joko viimeistelyyn kuten kuvassa D tai reunaleikkuuseen ruohon leikkaamiseksi nurmikon ja kukkapenkien reunoilta kuten kuvassa E.

**Varoitus!** Älä käytä HDL-lankaa reunaleikkuuseen.

### Viimeistely (kuvat D & F)

Viimeistelyä varten leikkuupään tulee olla kuvan D mukaisessa asennossa. Jos näin ei ole, toimi seuraavasti:

- ◆ Paina lukitusnappia (7).
- ◆ Kierrä päätä (9) samalla kun vapautat näppäimen.
- ◆ Kun leikkuupää on kohdallaan, painike lukkiutuu paikalleen.

Huomio: Pää kiertyy vain yhteen suuntaan.

### Reunaleikkuu (kuvat E & F)

Reunaleikkuuta varten leikkuupään tulee olla kuvan E mukaisessa asennossa. Jos näin ei ole, toimi seuraavasti:

- ◆ Paina lukitusnappia (7).
- ◆ Kierrä päätä (9) samalla kun vapautat näppäimen.
- ◆ Kun leikkuupää on kohdallaan, painike lukkiutuu paikalleen.

Huomio: Pää kiertyy vain yhteen suuntaan.

**Varoitus!** Älä käytä HDL-lankaa reunaleikkuuseen.

### Koneen korkeuden säätäminen (kuva F)

Tässä koneessa on teleskooppivarsi, jonka ansiosta voit säätää työkalun itsellesi sopivaan korkeuteen. Koneessa on kolme korkeusasetusta. Säädä korkeusasetusta seuraavalla tavalla:

- ◆ Paina lukitusnappia (7).
- ◆ Vedä kevyesti varsi (15) sisään tai ulos moottorikotelosta (9) sopivan korkeuden säätämiseksi. Paina samalla lukitusnappia.
- ◆ Kun letku on kohdallaan, painike lukkiutuu paikalleen.

### Käynnistys ja pysäytys

- ◆ Käynnistä kone painamalla virrankatkaisijaa (1).
- ◆ Sammuta kone päästämällä irti virrankatkaisijasta.

**Varoitus!** Älä koskaan yritä lukita virrankatkaisijaa käynnistysasentoon.

### Parhaimman tuloksen saamiseksi

#### Yleistä

- ◆ Paras leikkuutulos saadaan leikkaamalla kuivaa ruohoa.

#### Viimeistely

- ◆ Pidä konetta kuten kuvassa D.
- ◆ Käännä kevyesti leikkuria puolelta toiselle.
- ◆ Leikkaa pitkää ruohoa asteittain ylhäältä lähtien. Leikkaa vain vähän kerrallaan.
- ◆ Vältä kovia esineitä tai hentoja kasveja.
- ◆ Jos kone alkaa käydä hitaasti, vähennä kuormitusta.

#### Reunaleikkuu

Parhaimman tuloksen saa reunoissa, jotka ovat yli 50 mm syviä.

- ◆ Älä tee reunoja koneella. Tee reunat käyttäen sopivaa lapiota.
- ◆ Ohjaa konetta kuten kuvassa E.
- ◆ Jos haluat leikata lähempää, kallista konetta hieman.

### Huolto

Kone on suunniteltu toimimaan mahdollisimman pitkän aikaa mahdollisimman vähällä huollolla. Oikealla huollolla ja säännöllisellä puhdistuksella kone säilyttää suorituskykynsä.

**Varoitus!** Ennen huoltoa ja puhdistusta tulee koneen olla pois päältä ja irti virtalähteestä.

- ◆ Puhdista työkalun ilma-aukot säännöllisesti pehmeällä harjalla tai kuivalla rievulla.
- ◆ Puhdista leikkuulanka ja kela säännöllisesti pehmeällä harjalla tai kuivalla rievulla.
- ◆ Poista ruoho ja lika säännöllisesti suojan alapuolelta tylsällä kaapimella.

### Uuden lankakelan asennus (kuvat G & H)

Uusia lankakeloja myyvät Black & Decker –tuotteiden jälleenmyyjät (tuotenro A6441). Saatavilla on myös lankakelakasettipakkauksia (tuotenro A6488).

- ◆ Irrota kone virtalähteestä.
- ◆ Pidä kelan suojuksen kielekkeitä (18) painettuna ja poista kelan suojus (19) kotelosta (12) (kuva G).
- ◆ Poista tyhjä kela (20) kelan suojuksesta.
- ◆ Poista kaikki liika ja ruoho kelan suojuksesta ja kotelosta.
- ◆ Paina uusi kela suojuksen keskiöön. Kierrä kela hieman, kunnes se kiinnittyy kunnolla paikalleen.
- ◆ Löysää leikkuulangan toista päätä kelalta ja vie se reikään (21) (kuva H). Lankaa täytyy tulla ulos kelan suojuksesta noin 11 cm.
- ◆ Löysää toisen leikkuulangan toista päätä kelalta ja vie se toiseen reikään. Lankaa täytyy tulla ulos kelan suojuksesta noin 11 cm.
- ◆ Kohdista kelan suojuksen kielekkeet (18) kotelon reikiin (22) (kuva G).
- ◆ Paina suojus koteloon, kunnes se napsahtaa kiinni paikalleen.

**Varoitus!** Jos leikkuulankaa ylettyy leikkuuterän (11) yli, leikkaa lanka lyhyemmäksi niin, että se on terän kohdalla.

### Uuden langan kiertäminen tyhjään kelaan (kuvat I, J & K)

Tyhjään kelaan on mahdollista kiertää uusi leikkuulanka. Lankapakkauksia myyvät Black & Decker –tuotteiden jälleenmyyjät (tuotenro A6440).

- ◆ Poista tyhjä kela koneesta aiempien ohjeiden mukaisesti.
- ◆ Poista kaikki vanha leikkuulanka kelasta.
- ◆ Kierrä ensiksi uusi lanka kelan ylimmäiseen osaan:
  - Syötä 2 cm leikkuulankaa yhteen kelan yläosan urista kuvan mukaisesti.
  - Kierrä leikkuulanka kelalle nuolen suuntaan. Kierrä lankaa tasaisesti eri kerroksiin. Älä kierrä sitä ristiin.
  - Kun leikkuulankaa on kierretty syvennykseen (24) asti, katkaise lanka.
  - Aseta lanka väliaikaisesti uriin (23) kelan toisella puolella kuvan mukaisesti.
- ◆ Toista edellinen toimenpide toiselle leikkuulangalle kiertämällä se kelaan alaosaan. Aseta lanka väliaikaisesti vapaana oleviin uriin (23).
- ◆ Kiinnitä kela koneeseen aikaisempien ohjeiden mukaisesti. Muista irrottaa leikkuulanka urista (23).

**Varoitus!** Käytä vain Black & Deckerin suosittelemaa leikkuulankaa. Varmista, että kelan molemmissa osissa on leikkuulankaa (kuva K).

### Uuden HDL-langan asentaminen (kuvat G & L)

HDL-lankapakkauksia myyvät Black & Decker –tuotteiden jälleenmyyjät (tuotenro A6487). Uuden leikkuulangan asentamiseksi toimi seuraavalla tavalla:

- ◆ Irrota kone virtalähteestä.
- ◆ Pidä kelan suojuksen kielekkeitä (18) painettuna ja poista kelan suojus (25) kotelosta (12) (kuva G).
- ◆ Poista käytetyt langanpätkät raskaasta leikkauspästä.
- ◆ Pujota uusi lanka (26) HDL-kelan aukkojen läpi.
- ◆ Aseta kieleke (27) osoitettuun asentoon.
- ◆ Kohdista HDL-kelan nupit kohti kelan kotelon aukkoja (22) (kuva G).
- ◆ Työnnä HDL-kela kelakoteloon, kunnes se napsahtaa kiinni paikalleen.

### Vianmääritys

Jos kone ei näytä toimivan oikein, noudata seuraavia ohjeita. Jos kone ei tästä huolimatta toimi, ota yhteyttä valtuutettuun Black & Deckerin huoltopisteeseen.

**Varoitus!** Sammuta kone ja irrota se virtalähteestä, ennen kuin jatkat.

### Kone käy hitaasti

- ◆ Tarkista, että kelan kotelon pääsee pyörimään esteettä. Puhdista se varovasti tarvittaessa.
- ◆ Tarkista, että leikkuulankaa ei tule ulos kelan kotelosta yli 11 cm. Jos tulee, katkaise lanka niin, että se tulee lähemmäksi leikkuuterää.

### Automaattinen langansyöttö ei toimi

- ◆ Pidä kielekkeitä painettuna ja poista kelan suojus kotelosta.
- ◆ Vedä leikkuulankaa, kunnes sitä tulee ulos kotelosta 11 cm. Jos kelalla ei ole tarpeeksi leikkuulankaa, asenna uusi leikkuulankakela aikaisempien ohjeiden mukaan.
- ◆ Kohdista kelan suojuksen kielekkeet kotelon reikiin.
- ◆ Paina suojus koteloon, kunnes se napsahtaa kiinni paikalleen.
- ◆ Jos leikkuulankaa tulee ulos leikkuuterän yli, katkaise lanka niin, että se juuri saavuttaa terän.

Jos automaattinen langansyöttö ei vieläkään toimi tai kela on jumissa, kokeile seuraavia toimenpiteitä:

- ◆ Puhdista kelan suojus ja kotelon huolellisesti.
- ◆ Poista kela ja tarkista, että sen vipu pääsee liikkumaan esteettä.
- ◆ Poista kela, pura leikkuulanka kelalta ja kierrä se sitten tasaisesti takaisin aikaisempien ohjeiden mukaisesti. Laita kela takaisin aikaisempien ohjeiden mukaisesti.

## Ympäristö



Kun koneesi on käytetty loppuun, älä heitä sitä tavallisten roskien mukana pois, vaan vie se paikkakuntasi kierrätyskeskukseen tai jätä valtuutettuun Black & Deckerin huoltoliikkeeseen.

## Tekniset tiedot

		GL680	GL690
Teho	W	500	630
Kuormittamaton nopeus	min <sup>-1</sup>	8500/10000	8700/10300
Paino	kg	2.6	2.9

## EU:n yhdenmukaisuusilmoitus

### GL680/GL690

Black & Decker vakuuttaa näiden tuotteiden olevan seuraavien standardien vaatimusten mukaisia: 98/37/EC, 89/336/EEC, 73/23/EEC, EN 60335, EN 55014, EN 61000, 2000/14/EC, Nurmikonviimeistelijä, L < 50 cm  
Annex VIII, No. 0086  
B.S.I., HP2 4SQ, Iso-Britannia

Melutaso, mitattu 2000/14/EC:n mukaisesti:

$L_{pA}$  (äänenpaine): 82 dB(A),  $L_{WA}$  (akustinen teho) 95 dB(A),  $L_{WA}$  (taattu) 96 dB(A)

Tärinätaajuuden painotettu geometrinen keskiarvo EN 786 mukaisesti: < 2.5 m/s<sup>2</sup>

Kevin Hewitt  
Director of Consumer Engineering  
Spennymoor, County Durham DL16 6JG,  
Iso-Britannia  
01-10-2002

## Korjaukset / varaosat

Mikäli koneeseen tulee vikaa, jätä se aina Black & Deckerin valtuuttamaan huoltoliikkeeseen korjattavaksi (tiedot löytyvät uusimmasta tuoteluettelostamme tai ottamalla yhteyttä Black & Decker Oy:hyn). Varaosia myyvät valtuutetut Black & Deckerin huoltoliikkeet, ja heiltä voi myös pyytää kustannusarvion koneen korjauksesta.

Tiedot valtuutetuista huoltoliikkeistä löytyvät myös internetistä osoitteesta [www.2helpU.com](http://www.2helpU.com) sekä kotisivuiltamme [www.blackdecker.fi](http://www.blackdecker.fi).

## Takuu

Black & Decker Oy takaa, ettei koneessa ollut materiaali- ja/ tai valmistusvikaa silloin, kun se toimitettiin ostajalle. Takuu on lisäksi kuluttajan laillisiin oikeuksiin eikä vaikuta niihin. Takuu on voimassa Euroopan Unionin jäsenmaissa ja Euroopan vapaakauppa-alueella (EFTA).

Mikäli Black & Decker -kone hajoaa materiaali- ja/ tai valmistusvirheen tai teknisten tietojen epätarkkuuden vuoksi 24 kk:n kuluessa ostopäivästä, Black & Decker korjaa koneen ilman kustannuksia ostajalle tai vaihtaa sen uuteen Black & Decker Oy:n valinnan mukaan.

Takuu ei kata vikoja, jotka johtuvat koneen

- ◆ normaalista kulumisesta
- ◆ ylikuormituksesta, virheellisestä käytöstä tai hoidosta
- ◆ vahingoittamisesta vieraalla esineellä tai aineella tai onnettomuustapauksessa.

Takuu ei ole voimassa, mikäli konetta on korjannut joku muu kuin Black & Deckerin valtuuttama huoltoliike.

Edellytyksenä takuun saamiselle on, että ostaja jättää koneen ja ostokuitin jälleenmyyjälle tai valtuutetulle huoltoliikkeelle viimeistään 2 kuukauden kuluessa vian ilmenemisestä. Tiedot valtuutetuista huoltoliikkeistä saa ottamalla yhteyttä Black & Decker Oy:hyn sekä internetistä osoitteesta [www.2helpU.com](http://www.2helpU.com), jossa on myös takuehdot.

## Επιδωκόμενη χρήση

Η μηχανή φινιρίσματος χόρτου GL680/GL690 της Black & Decker έχει σχεδιαστεί για το φινιρίσμα χόρτου και άκρων (μπορντούρα), καθώς και για την κοπή χόρτου σε περιορισμένους χώρους. Αυτό το εργαλείο προορίζεται μόνο για ερασιτεχνική χρήση.

## Οδηγίες ασφαλείας

- Προσοχή! Κατά τη χρήση συσκευών που τροφοδοτούνται με ηλεκτρικό ρεύμα, θα πρέπει πάντα να λαμβάνονται οι βασικές προφυλάξεις ασφαλείας, για τον περιορισμό του κινδύνου πυρκαγιάς, ηλεκτροπληξίας και σωματικών βλαβών.
- Πριν χρησιμοποιήσετε το μηχανήμα διαβάστε προσεκτικά ολόκληρο το εγχειρίδιο.
- Πριν χρησιμοποιήσετε την μηχανή αυτό, βεβαιωθείτε ότι γνωρίζετε πώς να τη σβήσετε σε περίπτωση έκτακτης ανάγκης.
- Η ενδεχόμενη χρήση αναφέρεται σε αυτό το εγχειρίδιο. Τόσο η χρήση εξαρτημάτων ή προσθηκών όσο και η πραγματοποίηση εργασιών που δεν συνιστώνται στις οδηγίες αυτές εγκυμονεί κίνδυνο τραυματισμού.
- Φυλάξτε το εγχειρίδιο αυτό για μελλοντική αναφορά.

## Χώρος εργασίας

- Μην εκθέτετε τη μηχανή σε υγρασία. Μην χρησιμοποιείτε τη μηχανή σε υγρό περιβάλλον ή σε παρουσία νερού.
- Χρησιμοποιείτε τη μηχανή μόνο στο φως της ημέρας ή σε καλό τεχνητό φως.

## Ατομική προστασία

- Φορέστε χοντρά υποδήματα ή μπότες, για να προστατέψετε τα πόδια σας. Μη χειρίζεστε τη μηχανή φορώντας ανοιχτές σαγιόνες ή ξυπόλητοι.
- Φορέστε μακριά παντελόνια για να προστατέψετε τα πόδια σας.

## Χρήση της συσκευής σας

- Όταν βάξετε την πρίζα, βεβαιωθείτε ότι ο διακόπτης του μηχανήματος είναι κλειστός.
- Να είστε πάντα προσεκτικοί. Παρακολουθείτε την εργασία σας... Ενεργείτε λογικά.
- Μη χρησιμοποιείτε τη μηχανή όταν είστε κουρασμένος.
- Εάν η μηχανή ξεκινήσει να κραδάζεται αφύσικα, σβήστε την και αφαιρέστε το φως από την πρίζα. Περιμένετε να σταματήσει η περιστροφή των κινητών μερών και επιθεωρήστε τη μηχανή για τυχόν ζημιές ή χαλαρωμένα εξαρτήματα.
- Ποτέ μην αποσυνδέετε την μηχανή από την πρίζα τραβώντας το καλώδιό της. Φροντίστε το καλώδιο να παραμένει μακριά από τη θερμότητα, τα λάδια και από αιχμηρές ακμές.

- Εάν το καλώδιο τροφοδοσίας πάθει ζημιά κατά τη διάρκεια της χρήσης, σβήστε την μηχανή και αφαιρέστε το φως από την πρίζα αμέσως. Μην αγγίζετε το καλώδιο τροφοδοσίας πριν αφαιρέσετε το φως από την πρίζα.

## Ασφάλεια τρίτων

- Μην επιτρέπετε σε μικρά παιδιά ή σε άτομα που δεν έχουν διαβάσει το εγχειρίδιο οδηγιών ή που δεν έχουν εξοικειωθεί με την μηχανή να την χρησιμοποιήσουν.
- Μην επιτρέπετε σε παιδιά, επισκέπτες ή ζώα να πλησιάζουν στο χώρο εργασίας ή να αγγίζουν την μηχανή ή το καλώδιο τροφοδοσίας.
- Να έχετε υπόψη σας η ευθύνη για ατυχήματα ή κινδύνους για τρίτους ή την παρουσία τρίτων μπορεί να καταλογιστεί στο χειριστή.

## Μετά τη χρήση

- Σβήστε την μηχανή, αφαιρέστε το φως από την πρίζα και βεβαιωθείτε ότι σταμάτησε η περιστροφή των κινητών μερών πριν αφήσετε την μηχανή χωρίς χειριστή και πριν αλλάξετε, καθαρίσετε ή επιθεωρήσετε οποιαδήποτε τμήματα της μηχανής.
- Όταν δεν χρησιμοποιείται, η συσκευή πρέπει να φυλάσσεται σε ξηρό χώρο. Τα παιδιά δεν πρέπει να έχουν πρόσβαση σε αποθηκευμένες συσκευές.

## Επιθεώρηση και επισκευές

- Πριν από τη χρήση, ελέγξτε προσεκτικά τη συσκευή για κατεστραμμένα ή ελαττωματικά μέρη. Ελέγξτε για τυχόν κακή ευθυγράμμιση και εμπλοκή των κινούμενων μερών, για μέρη που έχουν σπάσει, για τυχόν ζημιές στους προφυλακτήρες και τους διακόπτες, και γενικά κάθε είδους συνθήκες οι οποίες ενδέχεται να επηρεάσουν τη λειτουργία της μηχανής.
- Μη χρησιμοποιείτε τη συσκευή αν κάποιο εξάρτημά της παρουσιάζει ελάττωμα. Μη χρησιμοποιείτε την μηχανή, εάν ο διακόπτης δεν μπορεί να την θέσει εντός ή εκτός λειτουργίας.
- Ποτέ μη χρησιμοποιείτε την μηχανή όταν οποιοσδήποτε προφυλακτήρας ή περίβλημα έχει καταστραφεί ή δεν είναι στη θέση του.
- Βεβαιωθείτε ότι η μηχανή λειτουργεί κανονικά και χρησιμοποιείται για το σκοπό για τον οποίο προορίζεται.
- Φροντίστε να γίνει η επισκευή ή η αντικατάσταση των τυχόν ελαττωματικών εξαρτημάτων από εξουσιοδοτημένο κέντρο επισκευών.
- Πριν από τη χρήση, ελέγξτε προσεκτικά το καλώδιο τροφοδοσίας για σημάδια ζημιάς, παλαιώσης και φθοράς.
- Μη χρησιμοποιείτε την μηχανή αν το καλώδιο τροφοδοσίας της έχει πάθει ζημιά ή παρουσιάζει ελάττωμα.

- ♦ Εάν το καλώδιο τροφοδοσίας είναι κατεστραμμένο, πρέπει να αντικατασταθεί από εξουσιοδοτημένο κέντρο επισκευής, ώστε να μην προκύψει κίνδυνος.
- ♦ Ποτέ μην επιχειρείτε να αφαιρέσετε ή να αντικαταστήσετε εξαρτήματα άλλα από αυτά που προσδιορίζονται σε αυτό το εγχειρίδιο.

### Ηλεκτρική ασφάλεια



Το εργαλείο σας φέρει διπλή μόνωση. Κατά συνέπεια δε χρειάζεται καλώδιο γείωσης. Ελέγχετε πάντοτε αν η τάση τροφοδοσίας αντιστοιχεί σε αυτήν που αναγράφεται στην πινακίδα στοιχείων του εργαλείου.

### Πρόσθετες οδηγίες ασφαλείας για μηχανές φινιρίσματος χόρτου

Πάνω στην μηχανή υπάρχουν τα ακόλουθα προειδοποιητικά σύμβολα:



Διαβάστε το εγχειρίδιο πριν το χειρισμό.



Κατά τη χρήση αυτού του εργαλείου, να φοράτε προστατευτικά γυαλιά.



Φροντίστε τα άλλα άτομα καθώς και ζώα να βρίσκονται σε απόσταση τουλάχιστον 6 m από την περιοχή κοπής.



Μην αφήνετε την μηχανή στη βροχή ή σε έντονη υγρασία.



Μην χρησιμοποιείτε το νήμα βαρέων εργασιών σε λειτουργία φινιρίσματος άκρων.

- ♦ Πριν χρησιμοποιήσετε την μηχανή, βεβαιωθείτε ότι στη διαδρομή κοπής σας δεν υπάρχουν κλαδιά, πέτρες, σύρματα ή οποιοδήποτε άλλο εμπόδιο.
- ♦ Χρησιμοποιείτε το εργαλείο μόνο στη σωστή θέση, με το νήμα κοπής κοντά στο έδαφος, όπως απεικονίζεται. Ποτέ μην ανάβετε την μηχανή αν βρίσκεται σε οποιαδήποτε άλλη θέση.
- ♦ Ανάψτε το εργαλείο μόνο όταν τα χέρια και τα πόδια βρίσκονται μακριά από το νήμα κοπής.
- ♦ Αποφύγετε τη σωματική επαφή με το νήμα κοπής όταν το εργαλείο είναι σε λειτουργία.
- ♦ Μην εργάζεστε σε έδαφος με απότομες κλίσεις. Βεβαιωθείτε ότι πατάτε καλά και σταθερά. Να έχετε υπόψη σας ότι το φρεσκοκομμένο χόρτο είναι υγρό και γλιστερό.
- ♦ Προσέχετε όταν κάνετε φινιρίσμα κοντά σε όρια και σε μονοπάτια ή δρόμους με χαλίκι, αφού το νήμα κοπής μπορεί να παρασύρει πέτρες και χώμα.

- ♦ Μην αφήνετε το εργαλείο στο έδαφος παρά μόνο εφόσον το νήμα κοπής έχει ακινητοποιηθεί εντελώς.
- ♦ Χρησιμοποιείτε μόνο νήμα κοπής κατάλληλου τύπου της Black & Decker. Ποτέ μη χρησιμοποιείτε μεταλλικό νήμα κοπής ή πετονιά.
- ♦ Αφού κάνετε προώθηση του νήματος κοπής, επιστρέψτε πάντα το εργαλείο στην κανονική του θέση λειτουργίας πριν το ανάψετε.
- ♦ Φροντίστε να διατηρείτε το καλώδιο τροφοδοσίας μακριά από το νήμα κοπής. Προσέχετε πάντα τη θέση του καλωδίου.

### Χαρακτηριστικά

Το εργαλείο περιλαμβάνει όλα ή ορισμένα από τα εξής χαρακτηριστικά:

1. Μοχλός λειτουργίας (διακόπτης on/off)
2. Λαβή
3. Σύστημα συγκράτησης καλωδίου
4. Υποδοχή καλωδίου τροφοδοσίας
5. Βοηθητική λαβή
6. Μπουτόν λαβής
7. Κομπτί ρύθμισης
8. Αγκιστρα φύλαξης καλωδίου
9. Περιβλημα μοτέρ
10. Προστατευτικό κάλυμμα
11. Λεπίδα αποκοπής νήματος (βλ. εκ. F)
12. Περιβλημα πομπίνας
13. Νήμα κοπής
14. Θήκη φύλαξης νήματος
15. Σωλήνας
16. Θέση φύλαξης πομπίνας

### Συναρμολόγηση

**Προσοχή!** Πριν από τη συναρμολόγηση, βεβαιωθείτε ότι το εργαλείο είναι σβηστό και ότι το φως του δεν είναι στην πρίζα.

#### Τοποθέτηση του προφυλακτήρα (εκ. A)

- ♦ Αφαιρέστε τη βίδα (17) από τον προφυλακτήρα (10).
- ♦ Τοποθετήστε τον προφυλακτήρα στο εργαλείο, όπως φαίνεται στην εικόνα.
- ♦ Γλιέστε καλά τον προφυλακτήρα μέχρι να κουμπώσει στη θέση του.
- ♦ Στερεώστε τον προφυλακτήρα με τη βίδα.

**Προσοχή!** Ποτέ μη χρησιμοποιείτε το εργαλείο αν ο προφυλακτήρας δεν είναι σωστά τοποθετημένος στη θέση του.

#### Τοποθέτηση της βοηθητικής λαβής (εκ. B)

- ♦ Τοποθετήστε την λαβή (5) στο εργαλείο όπως φαίνεται στην εικόνα.

- Ρυθμίστε την λαβή στην πιο άνετη θέση. Χρησιμοποιείτε τις ενδείξεις ως οδηγό.
- Περάστε την βίδα (6) μέσα από την βοηθητική λαβή και την κύρια λαβή.
- Βιδώστε την βίδα όσο το δυνατόν πιο μέσα στην βοηθητική λαβή. Μη σφίξετε υπερβολικά τη βίδα.

#### **Φύλαξη της πομπίνας όταν δεν χρησιμοποιείται (εικ. C).**

Το εργαλείο διαθέτει δύο συστήματα κοπής:

- Reflex plus: Αυτόματη τροφοδοσία διπλού νήματος για ελαφριές εργασίες φινιρίσματος χόρτου και άκρων.
- HDL: Σύστημα νήματος κοπής βαρέων εργασιών για πιο πυκνές περιοχές.

Το σύστημα κοπής που δεν χρησιμοποιείται μπορεί να φυλαχτεί στην θέση που παρέχεται (16).

- Ευθυγραμμίστε τα αυτάκια στην κεφαλή κοπής με τις οπές (28) στην κάτω πλευρά της λαβής.
- Σπρώξτε την κεφαλή κοπής πάνω στην λαβή μέχρι να ασφαλίσει στη θέση της.

#### **Φύλαξη του νήματος βαρέων εργασιών (εικ. C)**

- Η μονάδα διαθέτει αρκετά ανταλλακτικά του νήματος κοπής βαρέων εργασιών.
- Τα εξτρα κομμάτια του νήματος βαρέων εργασιών μπορούν να φυλαχτούν με ασφάλεια στην εσοχή της λαβής (14).

#### **Απελευθέρωση του νήματος κοπής**

Κατά τη μεταφορά, το νήμα κοπής στερεώνεται με κολλητική ταινία στο περίβλημα της πομπίνας.

- Αφαιρέστε την κολλητική ταινία που κρατά σταθερό το νήμα κοπής (13) στο περίβλημα της πομπίνας (12).

#### **Τοποθέτηση του νήματος κοπής βαρέων εργασιών (εικ. G & L)**

Θα λάβετε την μηχανή φινιρίσματος χόρτου με την πομπίνα Reflex plus εγκατεστημένη. Για να τοποθετήσετε το σύστημα νήματος κοπής βαρέων εργασιών, ακολουθήστε τα παρακάτω βήματα:

- Βγάλτε το εργαλείο από την πρίζα.
- Κρατήστε τα αυτάκια (18) πατημένα και αφαιρέστε το κάλυμμα της πομπίνας (19) από το περίβλημα (12) (εικ. G).
- Βεβαιωθείτε ότι το νήμα κοπής βαρέων εργασιών έχει τοποθετηθεί στην κεφαλή κοπής βαρέων εργασιών, όπως περιγράφεται στην «Συντήρηση – Τοποθέτηση ενός νέου κομματιού νήματος κοπής βαρέων εργασιών» (βλ. εικ. L).
- Ευθυγραμμίστε τα αυτάκια στην κεφαλή κοπής βαρέων εργασιών με τις οπές (22) στο περίβλημα (εικ. G).
- Σπρώξτε την κεφαλή κοπής βαρέων εργασιών πάνω στο περίβλημα μέχρι να ασφαλίσει στη θέση της.

#### **Σύνδεση του εργαλείου στην ηλεκτρική παροχή**

- Συνδέστε το θηλυκό φις ενός κατάλληλου καλωδίου επέκτασης στην υποδοχή καλωδίου τροφοδοσίας (4).
- Περάστε το καλώδιο μία βόλτα μέσα από το σύστημα συγκράτησης καλωδίου (3).
- Συνδέστε το φις σε μια ηλεκτρική παροχή. Για συνδεδεμένες μονάδες καλωδίου: Βεβαιωθείτε ότι το καλώδιο έχει περάσει μια βόλτα μέσα από το σύστημα συγκράτησης καλωδίου πριν συνδέσετε το φις στην ηλεκτρική παροχή.

**Προσοχή!** Η προέκταση πρέπει να είναι κατάλληλη για χρήση σε εξωτερικό χώρο.

#### **Χρήση**

**Προσοχή!** Αφήστε το εργαλείο να λειτουργήσει στο δικό του ρυθμό. Μην το υπερφορτώνετε.

#### **Ρύθμιση του εργαλείου σε λειτουργία φινιρίσματος χόρτου ή άκρων (μυρνοντούρα) (εικ. D, E & F)**

Το εργαλείο μπορεί να χρησιμοποιηθεί σε λειτουργία φινιρίσματος χόρτου όπως απεικονίζεται στην εικ. D ή σε λειτουργία φινιρίσματος άκρων, για το κόψιμο του προεξέχοντος χόρτου κατά μήκος του χλοοτάπητα, όπως απεικονίζεται στην εικ. E.

**Προσοχή!** Μην χρησιμοποιείτε το σύστημα κοπής βαρέων εργασιών για το φινιρίσμα των άκρων (μυρνοντούρα).

#### **Λειτουργία φινιρίσματος χόρτου (εικ. D & F)**

Για τη λειτουργία φινιρίσματος χόρτου, η κεφαλή φινιρίσματος πρέπει να βρίσκεται στη θέση η οποία απεικονίζεται στην εικ. D. Αν δεν βρίσκεται σε αυτή τη θέση, ρυθμίστε την ως ακολούθως:

- Πιέστε το κουμπί ρύθμισης (7).
- Περιστρέψτε την κεφαλή (9), ενώ απελευθερώνετε το κουμπί.
- Όταν η κεφαλή βρίσκεται στην σωστή θέση, το κουμπί θα ασφαλίσει.

**Σημείωση:** Η κεφαλή περιστρέφεται μόνο προς μια κατεύθυνση.

#### **Λειτουργία φινιρίσματος άκρων (εικ. E & F)**

Για τη λειτουργία φινιρίσματος άκρων (μυρνοντούρα), η κεφαλή φινιρίσματος πρέπει να βρίσκεται στη θέση η οποία απεικονίζεται στην εικ. E. Αν δεν βρίσκεται στη θέση αυτή, ρυθμίστε την ως ακολούθως:

- Πιέστε το κουμπί ρύθμισης (7).
- Περιστρέψτε την κεφαλή (9), ενώ απελευθερώνετε το κουμπί.
- Όταν η κεφαλή βρίσκεται στην σωστή θέση, το κουμπί θα ασφαλίσει.

**Σημείωση:** Η κεφαλή περιστρέφεται μόνο προς μια κατεύθυνση.



**Προσοχή!** Μην χρησιμοποιείτε το σύστημα κοπής βαρέων εργασιών για το φινιρίσμα των άκρων (μπορντούρα).

### **Ρύθμιση του ύψους του εργαλείου (εικ. F)**

Αυτό το εργαλείο έχει τηλεσκοπικό μηχανισμό, με τον οποίο μπορείτε να προσαρμόσετε το ύψος του ώστε να σας βολέει καλύτερα. Υπάρχουν τρεις ρυθμίσεις ύψους. Για να ρυθμίσετε το ύψος, ενεργήστε ως ακολούθως:

- ♦ Πιέστε το κουμπί ρύθμισης (7).
- ♦ Τραβήξτε ελαφρώς τον σωλήνα (15) προς τα μέσα ή προς τα έξω από το περιβλήμα του κινητήρα (9) στο επιθυμητό ύψος, ενώ απελευθερώνετε το κουμπί.
- ♦ Όταν ο σωλήνας βρίσκεται στην σωστή θέση, το κουμπί θα ασφαλίσει.

### **Εναρξη και παύση της λειτουργίας**

- ♦ Για να θέσετε σε λειτουργία το εργαλείο, πατήστε το μοχλό λειτουργίας (1).
- ♦ Για να θέσετε το εργαλείο εκτός λειτουργίας, αφήστε το μοχλό λειτουργίας.

**Προσοχή!** Ποτέ μην επιχειρήσετε να ασφαλίσετε τον μοχλό λειτουργίας όταν βρίσκεται σε θέση λειτουργίας (on).

## **Συμβουλές για άριστη χρήση**

### **Γενικά**

- ♦ Για να πετύχετε το καλύτερο δυνατό αποτέλεσμα κοπής, κόβετε το χόρτο μόνο όταν είναι στεγνό.

### **Φινιρίσμα χόρτου**

- ♦ Κρατήστε το εργαλείο όπως απεικονίζεται στην εικ. D.
- ♦ Εργαστείτε κινώντας τη μηχανή φινιρίσματος χόρτου από τη μία πλευρά στην άλλη.
- ♦ Κατά την κοπή χόρτου μεγάλου ύψους, εργαστείτε σε πολλά διαδοχικά περάσματα ξεκινώντας από την κορυφή. Κόβετε λίγο χόρτο κάθε φορά.
- ♦ Φροντίστε το εργαλείο να παραμένει μακριά από σκληρά αντικείμενα και από ευαίσθητα φυτά.
- ♦ Αν το εργαλείο αρχίζει να ζορίζεται και να κινείται με μικρή ταχύτητα, ελαττώστε το φορτίο του.

### **Φινιρίσμα άκρων (μπορντούρα)**

Το καλύτερο αποτέλεσμα κοπής επιτυγχάνεται όταν το βάθος της μπορντούρας είναι μεγαλύτερο από 50 mm.

- ♦ Μην χρησιμοποιείτε το εργαλείο για τη δημιουργία μπορντούρας. Για να δημιουργήσετε μπορντούρα, χρησιμοποιήστε το εργαλείο δημιουργίας μπορντούρας.
- ♦ Καθοδηγήστε το εργαλείο όπως απεικονίζεται στην εικ. E.
- ♦ Για να διαμορφώσετε λίγο πιο βαθιά κοπή, γείρετε ελαφρά το εργαλείο.

## **Συντήρηση**

Αυτό το εργαλείο έχει σχεδιαστεί έτσι ώστε να λειτουργεί για μεγάλο χρονικό διάστημα με την ελάχιστη δυνατή συντήρηση. Η αδιάλειπτη και κανονική λειτουργία του εξαρτάται από τη φροντίδα του εργαλείου και τον τακτικό καθαρισμό του.

**Προσοχή!** Πριν από την εκτέλεση εργασιών συντήρησης στο εργαλείο, θα πρέπει να το σβήσετε και να το βγάλετε από την πρίζα.

- ♦ Να καθαρίζετε τακτικά τις υποδοχές εξαερισμού στο εργαλείο σας χρησιμοποιώντας μαλακή βούρτσα ή στεγνό πανί.
- ♦ Καθαρίζετε τακτικά το νήμα κοπής και την πομπίνα, χρησιμοποιώντας μαλακή βούρτσα ή στεγνό πανί.
- ♦ Χρησιμοποιείτε τακτικά μια ξύστρα, όχι κοφτερή, για να αφαιρέσετε το χόρτο και τις ακαθαρσίες από το κάτω μέρος του προφυλακτήρα.

### **Τοποθέτηση μιας νέας πομπίνης νήματος κοπής (εικ. G & H)**

Ο αντιπρόσωπός σας της Black & Decker διαθέτει ανταλλακτικές πομπίνες νήματος κοπής (κωδικός A6441).

Υπάρχουν επίσης διαθέσιμες πλήρεις κασέτες που περιέχουν μια πομπίνα νήματος κοπής (κωδικός 6488).

- ♦ Βγάλετε το εργαλείο από την πρίζα.
- ♦ Κρατήστε τα αυτάκια (18) πατημένα και αφαιρέστε το κάλυμμα της πομπίνας (19) από το περιβλήμα (12) (εικ. G).
- ♦ Αφαιρέστε την άδεια πομπίνα (20) από το κάλυμμα της πομπίνας.
- ♦ Αφαιρέστε από το κάλυμμα και το περιβλήμα της πομπίνας τυχόν υπολείμματα ακαθαρσιών και χόρτου.
- ♦ Πιάστε τη νέα πομπίνα και σπρώξτε την επάνω στην υποδοχή στο κάλυμμα της πομπίνας. Περιστρέψτε λίγο την πομπίνα μέχρι να πάει στη σωστή θέση.
- ♦ Ξεκουμπώστε το άκρο ενός από τα νήματα κοπής και οδηγήστε το να περάσει μέσα σε ένα από τα μάτια (21) (εικ. H). Το νήμα πρέπει να προεξέχει περίπου 1 εκ. από το κάλυμμα της πομπίνας.
- ♦ Ξεκουμπώστε το άκρο του άλλου νήματος κοπής και οδηγήστε το νήμα να περάσει μέσα στο άλλο μάτι. Το νήμα πρέπει να προεξέχει περίπου 11 εκ. από το κάλυμμα της πομπίνας.
- ♦ Ευθυγραμμίστε τα αυτάκια (18) στο κάλυμμα της πομπίνας με τις οπές (22) που υπάρχουν στο περιβλήμα (εικ. G).
- ♦ Σπρώξτε το κάλυμμα πάνω στο περιβλήμα μέχρι να κουμπώσει κανονικά στη θέση του.

**Προσοχή!** Εάν τα νήματα κοπής εξέχουν από τη λεπίδα αποκοπής νήματος (11), κόψτε τα προκειμένου να φτάνουν ακριβώς στη λεπίδα.

**Τύλιγμα νέου νήματος σε άδεια πομπίνα (εικ. I, J & K)**

Μπορείτε να τυλίξετε νέο νήμα κοπής σε άδεια πομπίνα. Ο αντιπρόσωπός σας της Black & Decker διαθέτει ανταλλακτικά πακέτα νήματος κοπής (κωδικός A6440).

- ♦ Αφαιρέστε την άδεια πομπίνα από το εργαλείο όπως περιγράφεται παραπάνω.
- ♦ Αφαιρέστε τυχόν νήμα κοπής το οποίο έχει παραμείνει στην πομπίνα.
- ♦ Ξεκινήστε τυλίγοντας το νέο νήμα στο επάνω τμήμα της πομπίνας:
  - Τροφοδοτήστε 2 εκ. νήματος κοπής σε μία από τις σχισμές στο επάνω τμήμα της πομπίνας, όπως απεικονίζεται.
  - Τυλίξτε το νήμα κοπής στην πομπίνα προς την κατεύθυνση του βέλους. Φροντίστε το τύλιγμα του νήματος να γίνει ομαλά και σε ομοιομορφα στρώματα. Μην τυλίγετε χιαστί.
  - Όταν το τυλιγμένο νήμα κοπής φτάσει στις εσοχές (24), κόψτε το νήμα.
  - Στερεώστε προσωρινά το νήμα στις σχισμές (23) στο πλάι της πομπίνας, όπως απεικονίζεται.
- ♦ Επαναλάβετε την παραπάνω διαδικασία για το δεύτερο νήμα κοπής στο κάτω τμήμα της πομπίνας. Στερεώστε το νήμα στις σχισμές που δεν χρησιμοποιούνται (23).
- ♦ Τοποθετήστε την πομπίνα στο εργαλείο, σύμφωνα με τις οδηγίες που παρατίθενται παραπάνω. Μην παραλείψετε να ελευθερώσετε το νήμα κοπής από τις σχισμές στερέωσης (23).

**Προσοχή!** Χρησιμοποιείτε μόνο νήμα κοπής κατάλληλου τύπου της Black & Decker. Βεβαιωθείτε ότι υπάρχει νήμα κοπής και στα δύο τμήματα της πομπίνας (εικ. K).

**Τοποθέτηση νέου νήματος κοπής βαρέων εργασιών (εικ. G & L)**

Ο αντιπρόσωπός σας της Black & Decker διαθέτει ανταλλακτικά νήματα κοπής βαρέων εργασιών (κωδικός A6487). Για να τοποθετήσετε ένα νέο κομμάτι νήματος κοπής, ακολουθήστε τα παρακάτω βήματα:

- ♦ Βγάλτε το εργαλείο από την πρίζα.
- ♦ Κρατήστε τα αυτάκια (18) πατημένα και αφαιρέστε την κεφαλή κοπής βαρέων εργασιών (25) από το περιβλήμα (12) (εικ. G).
- ♦ Αφαιρέστε το χρησιμοποιημένο κομμάτι νήματος από την κεφαλή κοπής βαρέων εργασιών.
- ♦ Περάστε ένα νέο κομμάτι νήματος (26) μέσα από τις οπές στην κεφαλή κοπής βαρέων εργασιών.
- ♦ Τοποθετήστε τον κεντρικό δακτύλιο (27) στην θέση που ενδεικνύται.
- ♦ Ευθυγραμμίστε τα αυτάκια στην κεφαλή κοπής βαρέων εργασιών με τις οπές (22) στο περιβλήμα (εικ. G).
- ♦ Σπρώξτε την κεφαλή κοπής βαρέων εργασιών πάνω στο περιβλήμα μέχρι να ασφαλίσει στη θέση της.

**Αντιμετώπιση προβλημάτων**

Αν το εργαλείο δείχνει να μη λειτουργεί κανονικά, ενεργήστε σύμφωνα με τις οδηγίες που ακολουθούν. Αν, παρ' όλα αυτά, το πρόβλημά σας δεν λυθεί, παρακαλούμε επικοινωνήστε με το εξουσιοδοτημένο σέρβις της Black & Decker της περιοχής σας.

**Προσοχή!** Πριν συνεχίσετε, θέστε εκτός λειτουργίας και βγάλτε το εργαλείο από την πρίζα.

**Το εργαλείο λειτουργεί σε χαμηλή ταχύτητα**

- ♦ Ελέγξτε αν το περιβλήμα της πομπίνας περιστρέφεται ελεύθερα. Καθαρίστε το προσεκτικά, αν χρειάζεται.
- ♦ Βεβαιωθείτε ότι το νήμα κοπής δεν εξέχει περισσότερο από 11 εκ. από το περιβλήμα της πομπίνας. Αν το μήκος που εξέχει είναι μεγαλύτερο, κόψτε το ώστε μόλις να φτάνει τη λεπίδα αποκοπής νήματος.

**Δε λειτουργεί η αυτόματη τροφοδοσία νήματος**

- ♦ Κρατήστε τα αυτάκια πατημένα και αφαιρέστε το κάλυμμα της πομπίνας από το περιβλήμα.
- ♦ Τραβήξτε το νήμα κοπής, έως ότου προεξέχει 11 εκ. από το περιβλήμα. Αν το τμήμα που έχει μείνει πάνω στην πομπίνα δεν είναι επαρκές, τοποθετήστε νέα πομπίνα νήματος κοπής σύμφωνα με τις οδηγίες που παρατίθενται παραπάνω.
- ♦ Ευθυγραμμίστε τα αυτάκια στο κάλυμμα της πομπίνας με τις οπές που υπάρχουν στο περιβλήμα.
- ♦ Σπρώξτε το κάλυμμα πάνω στο περιβλήμα μέχρι να κουμπώσει κανονικά στη θέση του.
- ♦ Αν το νήμα κοπής εξέχει πέρα από τη λεπίδα αποκοπής νήματος, κόψτε το έτσι ώστε μόλις να φτάνει στη λεπίδα.

Αν η αυτόματη τροφοδοσία νήματος εξακολουθεί να μην λειτουργεί ή η πομπίνα έχει μπλοκάρει, ακολουθήστε τις παρακάτω ενέργειες:

- ♦ Καθαρίστε προσεκτικά το κάλυμμα και το περιβλήμα της πομπίνας.
- ♦ Αφαιρέστε την πομπίνα και ελέγξτε αν ο μοχλός μπορεί να κινηθεί ελεύθερα.
- ♦ Αφαιρέστε την πομπίνα και ξετυλίξτε το νήμα κοπής, και στη συνέχεια τυλίξτε το προσεκτικά και πάλι, σύμφωνα με την παραπάνω περιγραφή. Αντικαταστήστε την πομπίνα σύμφωνα με τις οδηγίες.

## Προστασία του περιβάλλοντος



Η Black & Decker δίνει τη δυνατότητα ανακύκλωσης των προϊόντων της που έχουν συμπληρώσει τη διάρκεια ζωής τους. Η υπηρεσία αυτή είναι δωρεάν. Αν θέλετε να χρησιμοποιήσετε την εν λόγω υπηρεσία, επιστρέψτε το προϊόν σας σε οποιοδήποτε εξουσιοδοτημένο κέντρο επισκευών, όπου θα το παραλάβουν εκ μέρους σας.

Ενημερωθείτε για το πλησιέστερο κέντρο επισκευών της περιοχής σας, επικοινωνώντας με τα γραφεία της Black & Decker στη διεύθυνση που αναγράφεται στο εγχειρίδιο. Επίσης, για να πληροφορηθείτε για τα εξουσιοδοτημένα κέντρα επισκευών της Black & Decker, τις λεπτομέρειες και τους αρμόδιους των υπηρεσιών που παρέχονται μετά την πώληση, μπορείτε να ανατρέξετε στο Διαδίκτυο στη διεύθυνση: [www.2helpU.com](http://www.2helpU.com).

### Τεχνικά χαρακτηριστικά

	GL680	GL690
Ηλεκτρική τροφοδοσία	W 500	630
Ταχύτητα άφροτου κίνησης	min <sup>-1</sup> 8500/10000	8700/10300
Βάρος	kg 2.6	2.9

### Δήλωση συμμόρφωσης EK

**GL680/GL690**

Η Black & Decker δηλώνει ότι αυτά τα προϊόντα συμμορφώνονται με: 98/37/EOK, 89/336/EOK, 73/23/EOK, EN 60335, EN 55014, EN 61000, 2000/14/EOK, μηχανή φινιρίσματος χόρτου, L < 50 cm  
Annex VIII, No. 0086  
B.S.I., HP2 4SQ, Ηνωμένο Βασίλειο

Ανώτατο όριο ηχητικής πίεσης σύμφωνα με το πρότυπο 2000/14/EOK:

$L_{pA}$  (ηχητική πίεση): 82 dB(A),  $L_{WA}$  (ακουστική ισχύς) 95 dB(A),  
 $L_{WA}$  (εγγυημένο προϊόν) 96 dB(A)

Ο σταθμισμένος τετραγωνικός μέσος όρος επιτάχυνσης κατά EN 786: < 2,5 m/s<sup>2</sup>

Kevin Hewitt

Διευθυντής Μηχανικής Πελατών  
Spennymoor, County Durham DL16 6JG,  
Ηνωμένο Βασίλειο  
01-10-2002

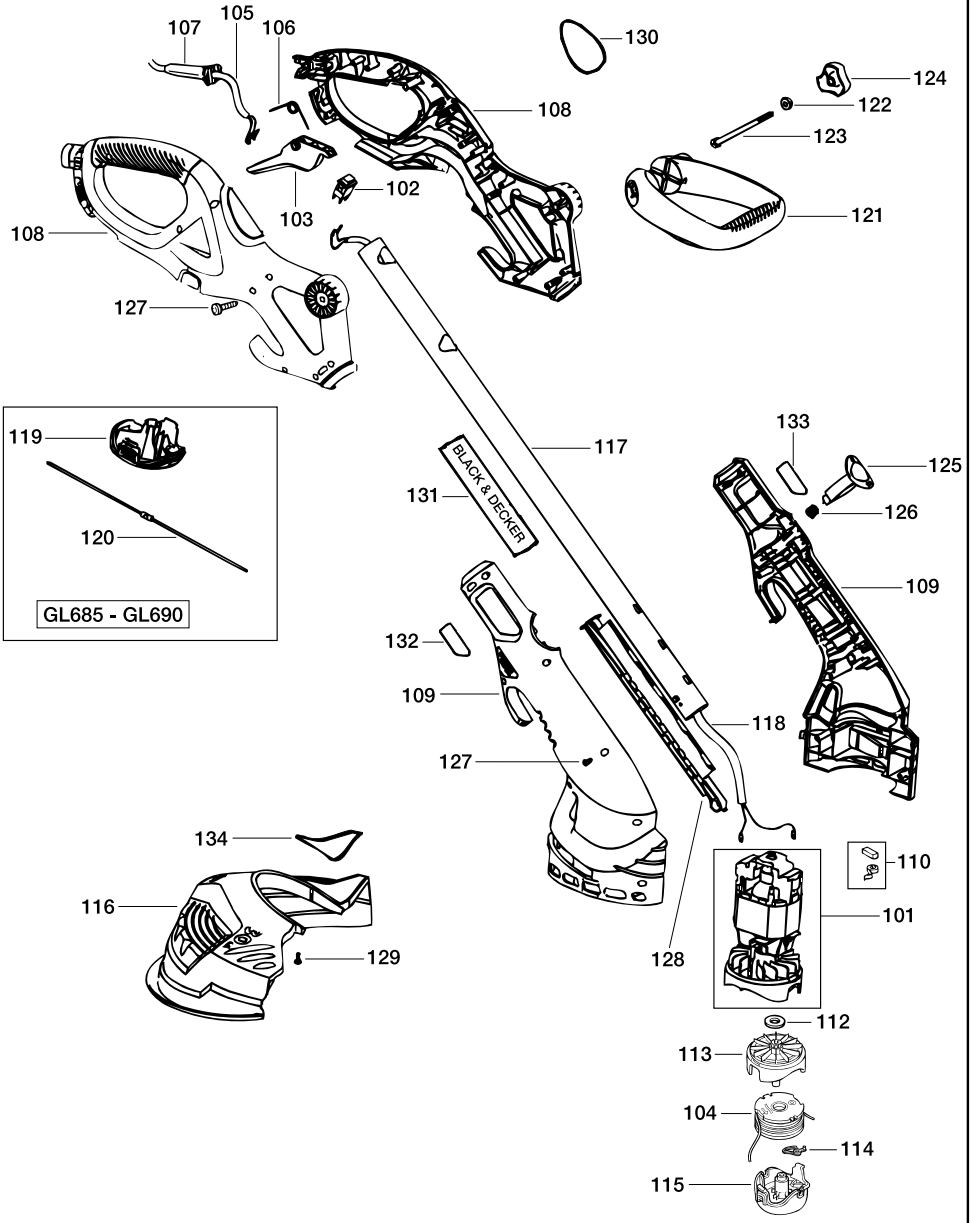
## Εγγύηση

Η Black & Decker είναι σίγουρη για την ποιότητα των προϊόντων της και παρέχει σημαντική εγγύηση. Η παρούσα γραπτή εγγύηση αποτελεί πρόσθετο δικαίωμά σας και δεν ζημιώνει τα συνταγματικά σας δικαιώματα. Η εγγύηση ισχύει εντός της επικράτειας των Κρατών Μελών της Ευρωπαϊκής Ένωσης και της Ευρωπαϊκής Ζώνης Ελευθέρων Συναλλαγών.

Σε περίπτωση που κάποιο προϊόν της Black & Decker παρουσιάσει βλάβη εξαιτίας ελαττωματικών υλικών, ποιότητας εργασίας ή έλλειψης συμφωνίας με τις προδιαγραφές εντός 24 μηνών από την ημερομηνία αγοράς, η Black & Decker εγγυάται την αντικατάσταση των ελαττωματικών τμημάτων, την επισκευή προϊόντων που έχουν υποστεί εύλογη φθορά λόγω χρήσης ή την αντικατάσταση των προϊόντων προκειμένου να εξασφαλίσει την ελάχιστη ενόχληση στους πελάτες της, εκτός αν:

- Το προϊόν έχει χρησιμοποιηθεί σε εργασιακό, επαγγελματικό περιβάλλον ή αν έχει εννοικιαστεί
- Έχει γίνει εσφαλμένη χρήση του προϊόντος ή αν έχει παραμεληθεί
- Το προϊόν έχει υποστεί βλάβη από άλλα αντικείμενα, από ουσίες ή λόγω ατυχήματος
- Έχει γίνει προσπάθεια επισκευής από μη εξουσιοδοτημένα κέντρα επισκευών ή από προσωπικό που δεν ανήκει στο προσωπικό της Black & Decker

Για να ισχύσει η εγγύηση, πρέπει να υποβάλετε απόδειξη αγοράς στον πωλητή ή το εξουσιοδοτημένο κέντρο επισκευών. Ενημερωθείτε για το πλησιέστερο κέντρο επισκευών της περιοχής σας, επικοινωνώντας με τα γραφεία της Black & Decker στη διεύθυνση που αναγράφεται στο εγχειρίδιο. Επίσης, για να πληροφορηθείτε για τα εξουσιοδοτημένα κέντρα επισκευών της Black & Decker, τις λεπτομέρειες και τους αρμόδιους των υπηρεσιών που παρέχονται μετά την πώληση, μπορείτε να ανατρέξετε στο Διαδίκτυο στη διεύθυνση: [www.2helpU.com](http://www.2helpU.com).





<b>Australia</b>	DeWALT Industrial Power Tool Company 7 Clarice Road, Box Hill, Victoria 3128	Tel. 03 9895 9200 Fax 03 9899 7465
<b>Belgique/België</b>	Black & Decker (Belgium) N.V. Weihoek 1, 1930 Zaventem	Tel. 02/719.07.11 Fax 02/721.40.45
<b>Danmark</b>	Black & Decker Hejrevang 26B, 3450 Allerød Internet: www.blackdecker.dk	Tel. 70 20 15 10 Fax 48 14 13 99
<b>Deutschland</b>	Black & Decker GmbH Black & Decker Str. 40, D - 65510 Idstein	Tel. 06126/21 24 83 Fax 06126/21 26 01
<b>Ελλάς</b>	Black & Decker (Ελλάς) A.E. Στράβωνος 7 & Βουλιαγμένης 159 16674 Γλυφάδα, Αθήνα, Ελλάδα	Τηλ. (010) 8981 616 Τηλ. (010) 8982 630 Φαξ Service (010) 8983 285
<b>España</b>	Black & Decker Spain Parque de Negocios "Mas Blau" Edificio Muntadas, c/Bergadá, 1, Of. A6 08820 El Prat de Llobregat (Barcelona)	Tel. 934 797 400 Fax 934 797 419
<b>France</b>	Black & Decker (France) S.A.S. B.P. 21, 69571 Dardilly Cédex	Tel. 04 72 20 39 20 Fax 04 72 20 39 00
<b>Helvetia</b>	ROFO AG Gewerbezone Seeblick 3213 Kleinbösingen	Tel. 026-6749391 Fax 026-6749394
<b>Italia</b>	Black & Decker Italia SpA Viale Elvezia 2 20052 Monza (MI)	Tel. 039-23871 Fax 039-2387592/2387594 Numero verde 800-213935
<b>Nederland</b>	Black & Decker (Nederland) BV Florijnstraat 10, 4879 AH Etten-Leur	Tel. 076-5082000 Fax 076-5038184
<b>New Zealand</b>	Black & Decker 81 Hugo Johnson Drive Penrose, Auckland, New Zealand	Tel. 09 579 7600 Fax 09 579 8200
<b>Norge</b>	Black & Decker (Norge) A/S Postboks 248, Leirdal, 1011 Oslo Internet: www.blackdecker.no	Tlf. 22 90 99 00 Fax 22 90 99 01
<b>Österreich</b>	Black & Decker Vertriebsges.m.b.H Erlaauerstraße 165, 1231 Wien	Tel. 01 66116-0 Fax 01 66116-14
<b>Portugal</b>	Black & Decker Rua Egas Moniz 173, S. João do Estoril 2766-651, Estoril	Tel. 214667500 Fax 214667575
<b>South Africa</b>	Black & Decker South Africa (Pty) Ltd Physical address: 39 Commerce Crescent Eastgate, ext. 12, Sandton, Kramerville 2148 Postal address: Postnet Suite 107, Private Bag X65 Halfway House 1685	Tel. (011) 653-1400 Fax (011) 653-1499
<b>Suomi</b>	Black & Decker Oy Palotie 3, 01610 Vantaa Black & Decker Oy, Brandvägen 3, 01610 Vanda	Puh: (09) 825 4540 Fax: (09) 825 45 444 Tel: (09) 825 4540 Fax: (09) 825 45 444
<b>Sverige</b>	Black & Decker AB Box 603, 421 26 Västra Frölunda, Besöksadr. Ekonomivägen 11	Tel: 031-68 60 00 Fax: 031-68 60 08
<b>Türkiye</b>	Black & Decker Merkez Servis Dudullu Cad. Kerembey Sok. No. 1 Küçükbakkalköy/Istanbul	Tel. 0216 455 89 73 Faks 0216 455 20 52
<b>United Kingdom</b>	Black & Decker 210 Bath Road Slough, Berkshire SL1 3YD	Tel. 01753 511234 Fax 01753 551155 Helpline 01753 574277

Dealer address  
Händleradresse  
Cachet du revendeur  
Indirizzo del rivenditore  
Adres van de dealer  
Dirección del detallista  
Morada do revendedor  
Aterforsäljarens adress  
Forhandlens adresse  
Forhandler adresse  
Jälleenmyyjän osoite  
Διεύθυνση αντιπροσώπου

Date of purchase  
Kaufdatum  
Date d'achat  
Data d'acquisto  
Aankoopdatum  
Fecha de compra  
Data de compra  
Inkõpsdatum  
Inimjõpsdato  
Indkøbsdato  
Ostopaivä  
Ημερομηνία αγοράς

◆ Name ◆ Nom ◆ Nome ◆  
◆ Naam ◆ Nombre ◆ Nome ◆ Namn ◆  
◆ Navn ◆ Navn ◆ Nimi ◆ Ovnoma:

◆ Address ◆ Adresse ◆ Adresse ◆ Indirizzo ◆  
Adres ◆ Dirección ◆ Morada ◆ Address ◆  
Adresse ◆ Adresse ◆ Osoite ◆ Διεύθυνση:

◆ Town ◆ Ort ◆ Ville ◆ Città ◆ Plaats  
◆ Ciudad ◆ Localidade ◆ Ort ◆ By ◆ By  
◆ Paikkakunta ◆ Πόλη:

◆ Postal code ◆ Postleitzahl ◆ Code postal ◆  
Codice postale ◆ Postcode  
◆ Código ◆ Código postal ◆ Postnr.  
◆ Postnr. ◆ Postnr. ◆ Postnummero  
◆ Κωδικός

◆ Is this tool a gift? ◆ Ist dieses Gerät ein  
Geschenk? ◆ S'agit-il d'un cadeau? ◆ Si tratta  
di un regalo? ◆ Kreeg u de machine als cadeau?  
◆ ¿Ha recibido usted esta herramienta como  
regalo? ◆ Recebeu esta ferramenta como  
presente? ◆ Ar verkjøyget en gáve?  
◆ Er verkjøyet en gave? ◆ Er verkjøyet en gave?  
◆ Onko kome lahja? ◆ Το εργαλείο είναι δώρο? ◆

Yes ◆ Ja ◆ Oui ◆ Si ◆ Ja ◆ Si ◆  
 Sim ◆ Ja ◆ Ja ◆ Ja ◆ Kyllä ◆ Nαι

No ◆ Nein ◆ Non ◆ No ◆ Nee  
 No ◆ Não ◆ Nej ◆ Nei ◆ Nej  
 Ei ◆ Oxi

◆ Is this tool your first purchase? ◆ Ist dieses  
Gerät ein Erstkauf? ◆ Est-ce un 1er achat? ◆  
Questo prodotto è il suo primo acquisto? ◆ Is  
deze machine uw eerste aankoop? ◆ ¿Es esta  
herramienta la primera de este tipo?  
◆ Esta ferramenta é a primeira compra? ◆  
Ar detta ditt första B&D-verktyg? ◆ Er dette ditt  
første B&D verktoy? ◆ Er dette ditt første B&D  
verktøj? ◆ Onko tämä ensimmäinen B&D-

koneesi? ◆ Είναι το εργαλείο αυτό η  
πρώτη σας αγορά? ◆

Yes ◆ Ja ◆ Oui ◆ Si ◆ Ja ◆ Si ◆  
 Sim ◆ Ja ◆ Ja ◆ Ja ◆ Kyllä ◆ Nαι

No ◆ Nein ◆ Non ◆ No ◆ Nee  
 No ◆ Não ◆ Nej ◆ Nei ◆ Nej  
 Ei ◆ Oxi

◆ Dealer address ◆ Händleradresse  
◆ Cachet du revendeur ◆ Indirizzo del  
rivenditore ◆ Adres van de dealer  
◆ Dirección del detallista ◆ Morada do  
revendedor ◆ Aterforsäljarens adress  
◆ Forhandlens adresse ◆ Forhandler adresse  
◆ Jälleenmyyjän osoite  
◆ Διεύθυνση αντιπροσώπου

Cat. no.:



◆ Data protection act: Tick the box if you prefer  
not to receive further information. ◆ Bitte  
ankreuzen, falls Sie keine weiteren  
Informationen erhalten möchten. ◆ Si vous ne  
souhaitez pas recevoir d'informations, cochez  
cette case. ◆ Barrate la casella se non  
desiderate ricevere informazioni.  
◆ A.u.b. dit vakje aankruisen indien u geen  
informatie wenst te ontvangen.

◆ Señale en la casilla sino quiere recibir  
información. ◆ Por favor, assinala com uma cruz  
se não desejar receber informação. ◆ Vänligen  
kryssa för i rutan om Ni inte vill ha information.  
◆ Vermåligst kryss av dersom du ikke ønsker  
informasjon. ◆ Venligst sæt kryds i ruden  
såfremt De ikke måtte ønske at modtage  
information.

◆ Merkitkää rasti ruutuun, mikäli ette halua  
vastaaanottaa informaatiota.  
◆ Παρακαλείστε να σημειώσετε εάν  
δεν θέλετε να πάρετε πληροφορίες.

- ◆ GUARANTEE CARD
- ◆ GARANTIEKART
- ◆ GARANTIEKARTE
- ◆ CARTE DE GARANTIE
- ◆ GARANTIEKAART
- ◆ TARJETA DE GARANTIA
- ◆ CARTÃO DE GARANTIA
- ◆ GARANTIBEVIS
- ◆ GARANTI KORT
- ◆ GARANTI KORT
- ◆ TAKUUKORTTI
- ◆ KAPTA EFTYHSHZ
- ◆ TAGLIANDO DI GARANZIA



**English**

Please complete this section immediately after the purchase of your tool and send it to Black & Decker in your country. If you live in Australia or New Zealand, please register by using the alternative guarantee card supplied.

**Deutsch**

Bitte schneiden Sie diesen Abschnitt ab, stecken ihn in einen frankierten Umschlag und schicken ihn an die Black & Decker Adresse Ihres Landes.

**Français**

Découpez cette partie et envoyez-la sous enveloppe timbrée à l'adresse de Black & Decker dans votre pays, ceci immédiatement après votre achat.

**Italiano**

Per favore ritagliate questa parte, inseritela in una busta con francobollo e spediteola subito dopo l'acquisto del prodotto all'indirizzo della

Black & Decker nella vostra nazione.

**Nederlands**

Knip dit gedeelte uit en zend het direct na aankoop in een gefrankeerde, geaddresseerde envelop naar het adres van Black & Decker in uw land.

**Español**

Después de haber comprado su herramienta envíe usted, por favor, esta tarjeta a la central de Black & Decker en su país.

**Português**

Por favor, recorte esta parte, coloque-a num envelope selado e endereçado e envie-o logo após a compra do seu produto para o endereço da Black & Decker do seu país.

**Svenska**

Var vänlig klipp ur denna del och sänd den i ett frankerat kuvert till Black & Deckers adress i Ditt land.

**Norsk**

Vennligst klipp ut denne delen umiddelbart etter du har pakket ut ditt produkt og legg det i en adressert konvolutt til Black & Decker (Norge) A/S.

**Dansk**

Venligst klip denne del ud og send frankeret til Black & Decker i dit land.

**Suomi**

Leikkaa irti tämä osa, laita se kuoreen ja postita kuori paikalliseen Black & Decker osoitteeseen.

**Ελληνικά**

Παράκατω κόψτε αυτό το κομμάτι και ταχυδρομήστε το αμέσως μετά την αγορά του προϊόντος σας στην διεύθυνση της Black & Decker στην Ελλάδα.