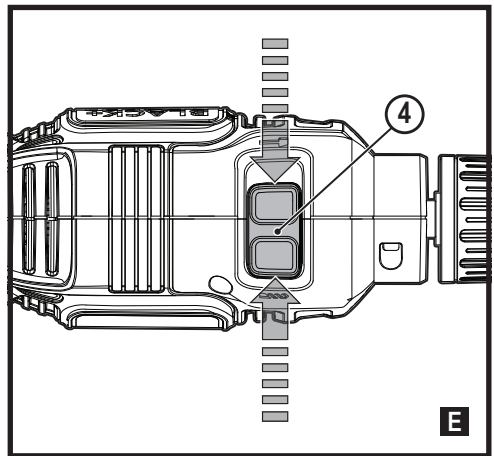
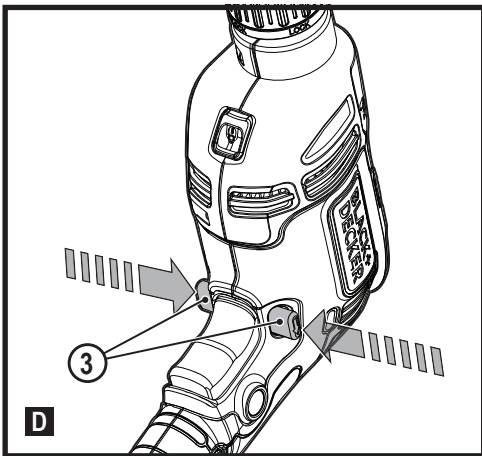
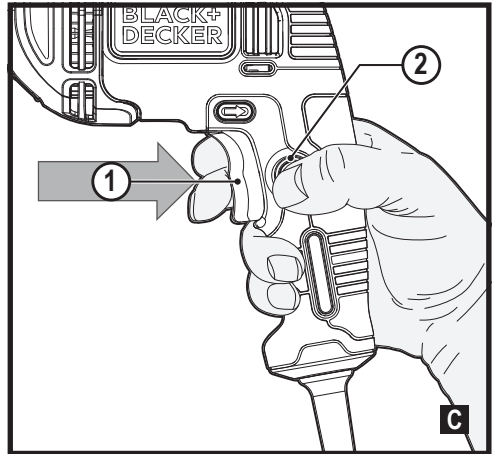
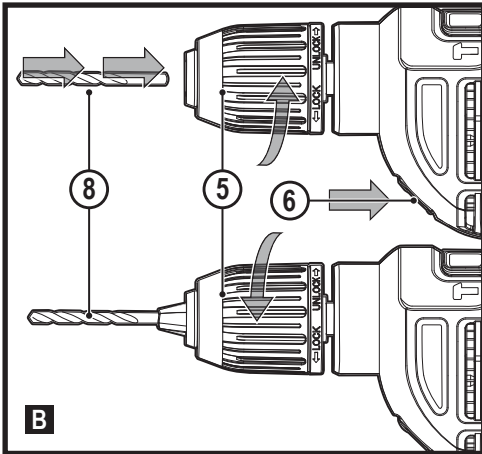
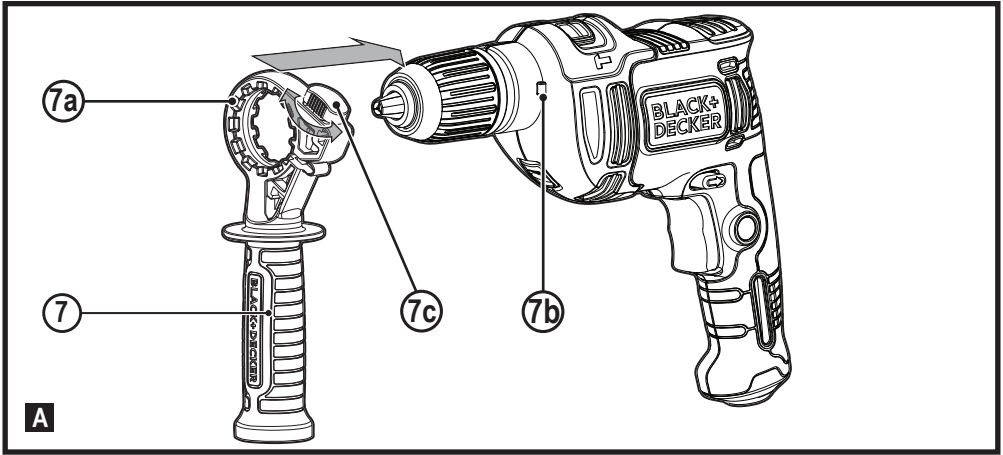
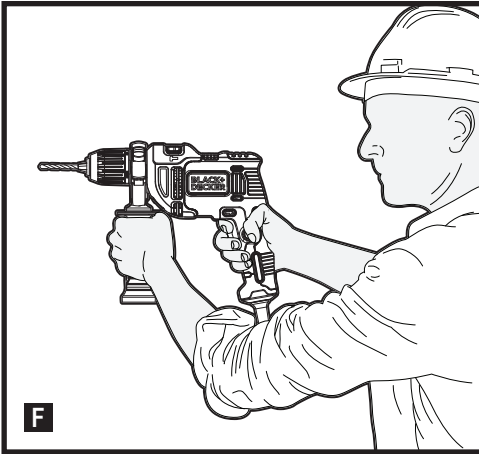


**BEH550**  
**BEH710**

[www.blackanddecker.eu](http://www.blackanddecker.eu)

English ( <b>original instructions</b> )	4
Deutsch ( <i>übersetzt von den originalanweisungen</i> )	8
Français ( <i>traduction de la notice d'instructions originale</i> )	13
Italiano ( <i>tradotto dalle istruzioni originali</i> )	18
Nederlands ( <i>vertaald vanuit de originele instructies</i> )	23
Español ( <i>traducido de las instrucciones originales</i> )	29
Português ( <i>traduzido das instruções originais</i> )	34
Svenska ( <i>översatt från de ursprungliga instruktionerna</i> )	39
Norsk ( <i>oversatt fra de originale instruksjonene</i> )	44
Dansk ( <i>oversat fra original brugsvejledning</i> )	48
Suomi ( <i>käännetty alkuperäisestä käyttöohjeesta</i> )	53
Ελληνικά ( <i>μετάφραση από τις πρωτότυπες οδηγίες</i> )	57





- b. **Avoid body contact with earthed or grounded surfaces such as pipes, radiators, ranges and refrigerators.** There is an increased risk of electric shock if your body is earthed or grounded.
- c. **Do not expose power tools to rain or wet conditions.** Water entering a power tool will increase the risk of electric shock.
- d. **Do not abuse the cord. Never use the cord for carrying, pulling or unplugging the power tool.** Keep cord away from heat, oil, sharp edges or moving parts. Damaged or entangled cords increase the risk of electric shock.
- e. **When operating a power tool outdoors, use an extension cord suitable for outdoor use.** Use of a cord suitable for outdoor use reduces the risk of electric shock.
- f. **If operating a power tool in a damp location is unavoidable, use a residual current device (RCD) protected supply.** Use of an RCD reduces the risk of electric shock.

### Intended use

Your BLACK+DECKER BEH550, BEH710 Impact drill has been designed for drilling in wood, metal, plastics, and masonry as well as for screwdriving purposes. This tool is intended for consumer use only.

### Safety instructions

#### General power tool safety warnings



**Warning! Read all safety warnings, instructions, illustrations and specifications provided with this power tool.** Failure to follow all instructions listed below may result in electric shock, fire and/or serious injury.

#### Save all warnings and instructions for future reference.

The term "power tool" in all of the warnings listed below refers to your mains operated (corded) power tool or battery operated (cordless) power tool.

#### 1. Work area safety

- a. **Keep work area clean and well lit.** Cluttered or dark areas invite accidents.
- b. **Do not operate power tools in explosive atmospheres, such as in the presence of flammable liquids, gases or dust.** Power tools create sparks which may ignite the dust or fumes.
- c. **Keep children and bystanders away while operating a power tool.** Distractions can cause you to lose control.

#### 2. Electrical safety

- a. **Power tool plugs must match the outlet. Never modify the plug in any way.** Do not use any adapter plugs with earthed (grounded) power tools. Unmodified plugs and matching outlets will reduce risk of electric shock.

#### 3. Personal safety

- a. **Stay alert, watch what you are doing and use common sense when operating a power tool.** Do not use a power tool while you are tired or under the influence of drugs, alcohol or medication. A moment of inattention while operating power tools may result in serious personal injury.
- b. **Use personal protective equipment. Always wear eye protection.** Protective equipment such as a dust mask, non-skid safety shoes, hard hat or hearing protection used for appropriate conditions will reduce personal injuries.
- c. **Prevent unintentional starting. Ensure the switch is in the off-position before connecting to power source and/or battery pack, picking up or carrying the tool.** Carrying power tools with your finger on the switch or energising power tools that have the switch on invites accidents.
- d. **Remove any adjusting key or wrench before turning the power tool on.** A wrench or a key left attached to a rotating part of the power tool may result in personal injury.
- e. **Do not overreach. Keep proper footing and balance at all times.** This enables better control of the power tool in unexpected situations.
- f. **Dress properly. Do not wear loose clothing or jewellery. Keep your hair, clothing and gloves away from moving parts.** Loose clothes, jewellery or long hair can be caught in moving parts.
- g. **If devices are provided for the connection of dust extraction and collection facilities, ensure these are connected and properly used.** Use of dust collection can reduce dust-related hazards.
- h. **Do not let familiarity gained from frequent use of**

tools allow you to become complacent and ignore tool safety principles. A careless action can cause severe injury within a fraction of a second.

#### 4. Power tool use and care

##### a. Do not force the power tool. Use the correct power tool for your application.

The correct power tool will do the job better and safer at the rate for which it was designed.

##### b. Do not use the power tool if the switch does not turn it on and off. Any power tool that cannot be controlled with the switch is dangerous and must be repaired.

##### c. Disconnect the plug from the power source and/or remove the battery pack, if detachable, from the power tool before making any adjustments, changing accessories, or storing power tools. Such preventive safety measures reduce the risk of starting the power tool accidentally.

##### d. Store idle power tools out of the reach of children and do not allow persons unfamiliar with the power tool or these instructions to operate the power tool. Power tools are dangerous in the hands of untrained users.

##### e. Maintain power tools and accessories. Check for misalignment or binding of moving parts, breakage of parts and any other condition that may affect the power tools operation. If damaged, have the power tool repaired before use. Many accidents are caused by poorly maintained power tools.

##### f. Keep cutting tools sharp and clean. Properly maintained cutting tools with sharp cutting edges are less likely to bind and are easier to control.

##### g. Use the power tool, accessories and tool bits etc. in accordance with these instructions, taking into account the working conditions and the work to be performed.

Use of the power tool for operations different from those intended could result in a hazardous situation.

##### h. Keep handles and grasping surfaces dry, clean and free from oil and grease. Slippery handles and grasping surfaces do not allow for safe handling and control of the tool in unexpected situations.

#### 5. Service

##### a. Have your power tool serviced by a qualified repair person using only identical replacement parts. This will ensure that the safety of the power tool is maintained.

- **Brace the tool properly before use.** This tool produces a high output torque and without properly bracing the tool during operation, loss of control may occur resulting in personal injury.
- **Hold the power tool by insulated gripping surfaces, when performing an operation where the cutting accessory may contact hidden wiring or its own cord.** Cutting accessory contacting a "live" wire may make exposed metal parts of the power tool "live" and could give the operator an electric shock.

#### Safety Instructions when using long drill bits

- **Never operate at higher speed than the maximum speed rating of the drill bit.** At higher speeds, the bit is likely to bend if allowed to rotate freely without contacting the workpiece, resulting in personal injury.
- **Always start drilling at low speed and with the bit tip in contact with the workpiece.** At higher speeds, the bit is likely to bend if allowed to rotate freely without contacting the workpiece, resulting in personal injury.
- **Apply pressure only in direct line with the bit and do not apply excessive pressure.** Bits can bend causing breakage or loss of control, resulting in personal injury.

#### Additional safety warnings for drill/ driver/ hammerdrill

- Use clamps or other practical way to secure and support the workpiece to a stable platform. Holding the workpiece by hand or against your body is unstable and may lead to loss of control.
- Accessories and tool may get hot during operation. Wear gloves when handling them if performing heat producing applications such as drilling metals.
- Air vents often cover moving parts and should be avoided. Loose clothes, Jewellery or long hair can be caught in moving parts.
- Wear safety goggles or other eye protection. Hammering and drilling operations cause chips to fly. Flying particles can cause permanent eye damage.
- Wear ear protectors when impact drilling. Exposure to noise can cause hearing loss.
- Use auxiliary handle(s), if supplied with the tool. Loss of control can cause personal injury.
- Do not operate this tool for long periods of time. Vibration caused by tool action may be harmful to your hands and arms. Use gloves to provide extra cushion and limit exposure by taking frequent rest periods.

#### Safety Instructions for All Operations

- **Wear ear protectors when impact drilling.** Exposure to noise can cause hearing loss.
- **Use the auxiliary handle(s).** Loss of control can cause personal injury.

## Safety of others

- This appliance can be used by children aged from 8 years and above and persons with reduced physical, sensory or mental capabilities or lack of experience and knowledge if they have been given supervision or instruction concerning use of the appliance in a safe way and understand the hazards involved.
- Children shall not play with the appliance. Cleaning and user maintenance shall not be made by children without supervision.

## Residual risks

Additional residual risks may arise when using the tool which may not be included in the enclosed safety warnings. These risks can arise from misuse, prolonged use etc.

Even with the application of the relevant safety regulations and the implementation of safety devices, certain residual risks can not be avoided. These include:

- Injuries caused by touching any rotating/moving parts.
- Injuries caused when changing any parts, blades or accessories.
- Injuries caused by prolonged use of a tool. When using any tool for prolonged periods ensure you take regular breaks.
- Impairment of hearing.
- Health hazards caused by breathing dust developed when using your tool (example:- working with wood, especially oak, beech and MDF.)

## Vibration

The declared vibration emission values stated in the technical data and the declaration of conformity have been measured in accordance with a standard test method provided by EN62841 and may be used for comparing one tool with another. The declared vibration emission value may also be used in a preliminary assessment of exposure.



**Warning!** The vibration emission value during actual use of the power tool can differ from the declared value depending on the ways in which the tool is used. The vibration level may increase above the level stated.

When assessing vibration exposure to determine safety measures required by 2002/44/EC to protect persons regularly using power tools in employment, an estimation of vibration exposure should consider, the actual conditions of use and the way the tool is used, including taking account of all parts of the operating cycle such as the times when the tool is switched off and when it is running idle in addition to the trigger time.

## Labels on tool

The following pictograms are shown on the tool along with the date code:



**Warning!** To reduce the risk of injury, the user must read the instruction manual.



Wear ear protectors with Impact drills. Exposure to noise can cause hearing loss

## Electrical safety



This tool is double insulated; therefore no earth wire is required. Always check that the power supply corresponds to the voltage on the rating plate.

- ◆ If the supply cord is damaged, it must be replaced by the manufacturer or an authorised BLACK+DECKER Service Centre in order to avoid a hazard.
1. Variable speed switch
  2. Lock on button
  3. Forward/reverse switch
  4. Drilling mode selector
  5. Chuck
  6. Chuck lock
  7. Side handle

## Assembly

**Warning!** Before assembly, make sure that the tool is switched off and unplugged.

## Fitting the side handle (fig. A)

- ◆ Turn the knob (7c) counter clockwise until you can slide the side handle (7) onto the front of the tool as shown.
- ◆ Rotate the side handle into the desired position ensuring that the notches (7a) engage with the sprocket (7b).
- ◆ Tighten the side handle by turning the knob (7c) clockwise.

**Note:** the side handle can be positioned, depending on personal preference.

## Fitting an accessory (fig. B)

- ◆ Press the chuck lock (6)
- ◆ Open the chuck by turning the sleeve (5) counterclockwise.
- ◆ Insert the bit shaft (8) into the chuck.
- ◆ Tighten the chuck by turning the sleeve clockwise.

## Use

**Warning!** Let the tool work at its own pace. Do not overload.

**Warning!** Before drilling into walls, floors or ceilings, check for the location of wiring and pipes.

## Switching on and off (fig. C)

- ◆ To switch the tool on, press the variable speed switch (1). The tool speed depends on how far you press the switch.
- ◆ For continuous operation, press the lock-on button (2) and release the variable speed switch.

This option does not work in reverse rotation.

- ◆ To switch the tool off, release the variable speed switch. To switch the tool off when in continuous operation, press the variable speed switch once more and release it. Always hold the tool as shown in figure G.

### Selecting the direction of rotation (fig. D)

For drilling and tightening screws, use forward (clockwise) rotation. For loosening screws or removing a jammed drill bit, use reverse (counterclockwise) rotation.

- ◆ To select forward rotation, push the forward/reverse slider (3) to the left.
- ◆ To select reverse rotation, push the forward/reverse slider to the right.

**Warning!** Never change the direction of rotation while the motor is running.

### Selecting the drilling mode (fig. E)

- ◆ For Impact drilling in masonry and concrete, set the drilling mode selector (4) to the **T** position.
- ◆ For drilling in steel, wood and plastics or for screw driving set the operating mode selector (4) to the **2** position.

### Accessories

The performance of your tool depends on the accessory used. BLACK+DECKER accessories are engineered to high quality standards and designed to enhance the performance of your tool. By using these accessories you will get the very best from your tool.

### Maintenance

Your BLACK+DECKER corded/cordless appliance/tool has been designed to operate over a long period of time with a minimum of maintenance. Continuous satisfactory operation depends upon proper tool care and regular cleaning.

**Warning!** Before performing any maintenance on corded/cordless power tools:

- ◆ Switch off and unplug the appliance/tool.
- ◆ Or switch off and remove the battery from the appliance/tool if the appliance/tool has a separate battery pack.
- ◆ Or run the battery down completely if it is integral and then switch off.
- ◆ Unplug the charger before cleaning it. Your charger does not require any maintenance apart from regular cleaning.
- ◆ Regularly clean the ventilation slots in your appliance/tool/charger using a soft brush or dry cloth.
- ◆ Regularly clean the motor housing using a damp cloth. Do not use any abrasive or solvent-based cleaner.
- ◆ Regularly open the chuck and tap it to remove any dust from the interior (when fitted).

### Mains plug replacement (U.K. & Ireland only)

If a new mains plug needs to be fitted:

- ◆ Safely dispose of the old plug.
- ◆ Connect the brown lead to the live terminal in the new plug.
- ◆ Connect the blue lead to the neutral terminal.

**Warning!** No connection is to be made to the earth terminal. Follow the fitting instructions supplied with good quality plugs. Recommended fuse: 5 A.

### Protecting the environment



Separate collection. Products and batteries marked with this symbol must not be disposed of with normal household waste.

Products and batteries contain materials that can be recovered or recycled reducing the demand for raw materials. Please recycle electrical products and batteries according to local provisions.

Further information is available at [www.2helpU.com](http://www.2helpU.com)

### Technical data

		BEH550	BEH710
Rated power	V <sub>AC</sub>	550	710
No-load speed	min <sup>-1</sup>	0 ~ 2800	0 ~ 2800
Impact rate	min <sup>-1</sup>	0 ~ 47600	0 ~ 47600
Weight	kg	1.7	1.76
<b>Max. drilling capacity</b>			
Concrete	mm	13	13
Steel	mm	13	13
Wood	mm	25	25

#### BEH550 Level of sound pressure according to EN 62841:

Sound pressure (L<sub>PA</sub>) 93,5 dB(A), uncertainty (K) 5 dB(A)

Sound power (L<sub>WA</sub>) 104,5 dB(A), uncertainty (K) 5 dB(A)

#### BEH710 Level of sound pressure according to EN 62841:

Sound pressure (L<sub>PA</sub>) 95,5 dB(A), uncertainty (K) 5 dB(A)

Sound power (L<sub>WA</sub>) 106,5 dB(A), uncertainty (K) 5 dB(A)

#### BEH550 Vibration total values (triax vector sum) according to EN 62841:

Impact drilling into concrete (a<sub>h, D</sub>) 14,8 m/s<sup>2</sup>, uncertainty (K) 1,5 m/s<sup>2</sup>

Drilling into metal (a<sub>h, D</sub>) 1,8 m/s<sup>2</sup>, uncertainty (K) 1,5 m/s<sup>2</sup>

#### BEH710 Vibration total values (triax vector sum) according to EN 62841:

Impact drilling into concrete (a<sub>h, D</sub>) 16,2 m/s<sup>2</sup>, uncertainty (K) 1,5 m/s<sup>2</sup>

Drilling into metal (a<sub>h, D</sub>) 1,9 m/s<sup>2</sup>, uncertainty (K) 1,5 m/s<sup>2</sup>

## EC declaration of conformity MACHINERY DIRECTIVE



BEH550, BEH710 Impact drill

Black & Decker declares that these products described under "technical data" are in compliance with:

EN62841-1:2015, EN 62841-2-1:2018+A11:2019.

These products also comply with Directive 2006/42/EC, 2014/30/EU and 2011/65/EU. For more information, please contact Black & Decker at the following address or refer to the back of the manual.

The undersigned is responsible for compilation of the technical file and makes this declaration on behalf of Black & Decker..

Ed Higgins

Director – Consumer Power Tools  
Black & Decker Europe, 270 Bath Road, Slough,  
Berkshire, SL1 4DX  
United Kingdom  
30/06/2020

### Garantie

Black & Decker is confident of the quality of its products and offers consumers a 24 month guarantee from the date of purchase. This guarantee is in addition to and in no way prejudices your statutory rights. The guarantee is valid within the territories of the Member States of the European Union and the European Free Trade Area.

To claim on the guarantee, the claim must be in accordance with Black & Decker Terms and Conditions and you will need to submit proof of purchase to the seller or an authorised repair agent. Terms and conditions of the Black & Decker 2 year guarantee and the location of your nearest authorised repair agent can be obtained on the Internet at [www.2helpU.com](http://www.2helpU.com), or by contacting your local Black & Decker office at the address indicated in this manual.

Please visit our website [www.blackanddecker.co.uk](http://www.blackanddecker.co.uk) to register your new Black & Decker product and receive updates on new products and special offers.

## Verwendungszweck

Ihre BLACK+DECKER BEH550, BEH710 Schlagbohrmaschine wurde zum Bohren von Holz, Metall, Kunststoff und Mauerwerk sowie für Schraubarbeiten entwickelt. Dieses Gerät ist nicht für den gewerblichen Einsatz vorgesehen.

## Sicherheitshinweise

### Allgemeine Sicherheitswarnungen für das Gerät



**Warnung! Beachten Sie alle Sicherheitshinweise, Anweisungen, Darstellungen und Daten, die Sie mit dem Gerät erhalten.** Wenn Sie die folgenden Anweisungen nicht beachten, kann es zu elektrischem Schlag, Feuer und/oder schweren Verletzungen kommen.

**Bewahren Sie alle Warnhinweise und alle Anweisungen gut auf.** Der nachfolgend verwendete Begriff „Gerät“ oder „Elektrowerkzeug“ bezieht sich auf netzbetriebene Geräte (mit Netzkabel) und auf akkubetriebene Geräte (ohne Netzkabel).

#### 1. Sicherheit im Arbeitsbereich

- a. **Halten Sie den Arbeitsbereich sauber und gut ausgeleuchtet.** Unaufgeräumte oder dunkle Bereiche begünstigen Unfälle.
- b. **Betreiben Sie Elektrowerkzeuge nicht in explosionsgefährdeten Umgebungen, in denen sich z. B. brennbare Flüssigkeiten, Gase oder Staub befinden.** Elektrowerkzeuge erzeugen Funken, die den Staub oder die Dämpfe entzünden können.
- c. **Halten Sie Kinder und Zuschauer fern, während Sie ein Elektrogerät betreiben.** Ablenkung kann dazu führen, dass Sie die Kontrolle über das Gerät verlieren.

#### 2. Elektrische Sicherheit

- a. **Der Stecker des Elektrogerätes muss in die Steckdose passen. Ändern Sie niemals den Stecker in irgendeiner Form. Verwenden Sie keinerlei Adapterstecker an geerdeten Elektrogeräten.** Unveränderte Stecker und passende Steckdosen mindern die Gefahr eines elektrischen Schlages.
- b. **Vermeiden Sie Körperkontakt mit geerdeten Flächen, wie Rohre, Radiatoren, Herde und Kühlgeräte.** Es besteht eine erhöhte Gefahr für einen elektrischen Schlag, wenn Ihr Körper geerdet ist.
- c. **Setzen Sie Elektrogeräte keinem Regen oder feuchter Umgebung aus.** Wenn Wasser in das Elektrogerät eindringt, erhöht sich die Gefahr eines elektrischen Schlages.
- d. **Behandeln Sie das Kabel sorgfältig.** Verwenden Sie niemals das Kabel, um das Elektrogerät zu tragen oder durch Ziehen vom Netz zu trennen.



- Halten Sie das Kabel fern von Hitze, Öl, scharfen Kanten oder beweglichen Teilen. Beschädigte oder verhedderte Kabel erhöhen die Gefahr eines elektrischen Schlag.
- e. **Wenn Sie ein Elektrogerät im Freien betreiben, verwenden Sie ein für den Außeneinsatz geeignetes Verlängerungskabel.** Die Verwendung von für den Außeneinsatz geeigneten Kabeln mindert die Gefahr eines elektrischen Schlag.
  - f. **Wenn der Betrieb eines Elektrogerätes in feuchter Umgebung unumgänglich ist, verwenden Sie eine durch einen Fehlerstromschutzschalter (FI-Schalter oder RCD) geschützte Stromversorgung.** Der Einsatz eines Fehlerstromschutzschalters mindert die Gefahr eines elektrischen Schlag.
3. **Sicherheit von Personen**
    - a. **Seien Sie aufmerksam, achten Sie darauf, was Sie tun, und gehen Sie mit Vernunft an die Arbeit mit einem Elektrowerkzeug. Benutzen Sie kein Elektrowerkzeug, wenn Sie müde sind oder unter dem Einfluss von Drogen, Alkohol oder Medikamenten stehen.** Ein Moment der Unachtsamkeit beim Betrieb eines Elektrogerätes kann zu schweren Verletzungen führen.
    - b. **Tragen Sie persönliche Schutzausrüstung. Tragen Sie immer einen Augenschutz.** Das Tragen persönlicher Schutzausrüstung, wie Staubmaske, rutschfeste Sicherheitsschuhe, Schutzhelm oder Gehörschutz, je nach Art und Einsatz des Elektrowerkzeugs, verringert das Risiko von Verletzungen.
    - c. **Vermeiden Sie unbeabsichtigtes Starten. Vergewissern Sie sich, dass das Gerät ausgeschaltet ist, bevor Sie es an eine Steckdose oder einen Akku anschließen, es hochheben oder tragen.** Wenn Sie beim Tragen des Elektrowerkzeugs den Finger am Schalter haben oder das Gerät eingeschaltet an die Stromversorgung anschließen, kann dies zu Unfällen führen.
    - d. **Entfernen Sie alle Einstellschlüssel oder Werkzeuge, bevor Sie das Elektrogerät einschalten.** Werkzeuge oder Schlüssel, die an rotierenden Teilen des Elektrogerätes angebracht sind, können zu Verletzungen führen.
    - e. **Vermeiden Sie eine anormale Körperhaltung. Sorgen Sie für einen sicheren Stand und halten Sie jederzeit das Gleichgewicht.** Dadurch können Sie das Elektrowerkzeug in unerwarteten Situationen besser kontrollieren.
    - f. **Tragen Sie geeignete Kleidung. Tragen Sie keine weite Kleidung und keinen Schmuck. Halten Sie Ihre Haare, Kleidung und Handschuhe von beweglichen Teilen fern.** Lose sitzende Kleidung, Schmuck oder lange Haare können sich in den beweglichen Teilen verfangen.
    - g. **Wenn Geräte für den Anschluss an eine Staubabsaugung und Staubsammlung vorgesehen sind, vergewissern Sie sich, dass diese richtig angeschlossen sind und verwendet werden.** Der Einsatz von Staubsammlern kann staubbedingte Gefahren mindern.
    - h. **Vermeiden Sie, durch die häufige Nutzung des Werkzeugs in einen Trott zu verfallen und Prinzipien für die Werkzeugsicherheit zu ignorieren.** Eine unachtsame Aktion kann im Bruchteil einer Sekunde zu schweren Verletzungen führen.
  4. **Gebrauch und Pflege von Geräten**
    - a. **Überlasten Sie das Elektrogerät nicht. Verwenden Sie das für Ihre Arbeit passende Gerät.** Das richtige Gerät wird die Aufgabe besser und sicherer erledigen, wenn es bestimmungsgemäß verwendet wird.
    - b. **Benutzen Sie kein Elektrowerkzeug, dessen Schalter defekt ist.** Ein Elektrowerkzeug, das sich nicht mehr ein- oder ausschalten lässt, ist gefährlich und muss repariert werden.
    - c. **Trennen Sie den Stecker vom Netz und/oder, falls abnehmbar, den Akku vom Elektrogerät, bevor Sie Einstellungen am Gerät vornehmen, Zubehör wechseln oder es aufbewahren.** Diese Vorbeugemaßnahmen mindern die Gefahr, dass das Elektrogerät unbeabsichtigt startet. Diese Vorbeugemaßnahmen mindern die Gefahr, dass das Elektrogerät unbeabsichtigt startet.
    - d. **Bewahren Sie nicht verwendete Elektrogeräte für Kinder unerreichbar auf und lassen Sie nicht zu, dass Personen ohne Erfahrung mit dem Elektrogerät oder mit diesen Anweisungen das Elektrogerät bedienen.** Elektrogeräte sind in den Händen nicht geschulter Personen gefährlich.
    - e. **Halten Sie das Gerät und sein Zubehör in einem einwandfreien Zustand. Kontrollieren Sie, ob bewegliche Teile falsch ausgerichtet sind oder klemmen und ob Teile gebrochen oder so beschädigt sind, dass die Funktion des Geräts beeinträchtigt ist. Bei Beschädigungen lassen Sie das Gerät reparieren, bevor Sie es verwenden.** Viele Unfälle entstehen wegen mangelnder Wartung der Elektrogeräte.
    - f. **Halten Sie Schneidwerkzeuge scharf und sauber.** Richtig gewartete Schneidwerkzeuge mit scharfen Klingen blockieren seltener und sind leichter unter Kontrolle zu halten.
    - g. **Verwenden Sie Elektrogeräte, Zubehör und Einsätze (Bits) usw. gemäß diesen Anweisungen und unter Berücksichtigung der Arbeitsbedingungen und der Aufgabe.** Der Gebrauch von Elektrowerkzeugen für andere als die vorgesehenen Zwecke kann zu gefährlichen Situationen führen.

**h. Halten Sie die Griffe trocken, sauber und frei von Öl und Fett. Rutschige Griffe und Oberflächen unterbinden die sichere Bedienbarkeit und Kontrolle über das Werkzeug in unerwarteten Situationen.**

## 5. Service

**a. Lassen Sie Ihr Elektrowerkzeug nur von qualifiziertem Fachpersonal und nur mit Original- Ersatzteilen reparieren.** Damit wird sichergestellt, dass die Sicherheit des Gerätes erhalten bleibt.

## Sicherheitsvorschriften für alle Betriebsarten

- **Tragen Sie bei der Arbeit mit einem Schlagbohrer einen Gehörschutz.** Lärm kann Gehörschäden verursachen.
- **Verwenden Sie den oder die Zusatzgriffe.** Der Verlust der Kontrolle kann Verletzungen verursachen.
- **Spannen Sie das Werkzeug vor Gebrauch richtig fest.** Dieses Werkzeug erzeugt ein hohes Ausgangsdrehmoment. Wenn das Werkzeug während des Betriebs nicht ordnungsgemäß festgespannt ist, kann es zu einem Kontrollverlust und dadurch zu Verletzungen kommen.
- **Halten Sie das Gerät an den isolierten Griffflächen, wenn Sie Arbeiten ausführen, bei denen das Werkzeug ein verdecktes Kabel oder das Gerätekabel berühren könnte.** Der Kontakt mit stromführenden Leitungen kann auch offen liegende Metallteile am Gerät unter Strom setzen und zu einem Stromschlag führen.

## Sicherheitshinweise bei Verwendung langer Bohrerbits

- **Niemals mit einer höheren Drehzahl als der maximalen Drehzahl des Bohrers arbeiten.** Bei höheren Drehzahlen kann sich der Bohrer leicht verbiegen, wenn er sich frei drehen kann, ohne das Werkstück zu berühren, was zu Verletzungen führen kann.
- **Beginnen Sie beim Bohren immer mit niedriger Drehzahl und so, dass die Bohrspitze in Kontakt mit dem Werkstück ist.** Bei höheren Drehzahlen kann sich der Bohrer leicht verbiegen, wenn er sich frei drehen kann, ohne das Werkstück zu berühren, was zu Verletzungen führen kann.
- **Üben Sie Druck nur in direkter Linie mit dem Bohrerbit aus und üben Sie keinen übermäßigen Druck aus.** Bits können sich verbiegen, was zu einem Bruch oder Kontrollverlust und dadurch zu Verletzungen führen kann.

## Zusätzliche Sicherheitshinweise für Bohrer/Schrauber/Bohrhammer

- Sichern Sie das Werkstück zum Beispiel mit Einspannvorrichtungen auf einer stabilen Plattform.

- Das Werkstück ist instabil, wenn es mit der Hand oder dem Körper abgestützt wird, was zum Verlust der Kontrolle führen kann.
- Zubehör und Werkzeug können während des Betriebs heiß werden. Tragen Sie beim Umgang damit Handschuhe, wenn wärmeerzeugende Anwendungen wie Bohren in Metall durchgeführt werden.
- Luftöffnungen decken häufig bewegliche Teile ab und sollten freigehalten werden. Lose sitzende Kleidung, Schmuck oder lange Haare können sich in den beweglichen Teilen verfangen.
- Tragen Sie eine Schutzbrille oder anderen Augenschutz. Beim Hämmer- und Bohrbetrieb werden Späne in die Luft befördert. Fliegende Partikel können zu Augenverletzungen führen.
- Tragen Sie bei der Arbeit mit einem Schlagbohrer einen Gehörschutz. Lärm kann Gehörschäden verursachen.
- Benutzen Sie die mit dem Werkzeug gelieferten Zusatzgriffe. Der Verlust der Kontrolle kann Verletzungen verursachen.
- Betreiben Sie dieses Werkzeug nicht über lange Zeiträume. Durch das Werkzeug verursachte Vibrationen können für Ihre Hände und Arme schädlich sein. Tragen Sie Handschuhe als zusätzlichen Dämpfer und legen Sie häufig Pausen ein, um den Schwingungen nicht zu lange Zeit ausgesetzt zu sein.

## Sicherheit anderer Personen

- Dieses Gerät darf von Kindern ab 8 Jahren und Personen mit eingeschränkten körperlichen, sensorischen oder geistigen Fähigkeiten sowie mangelnder Erfahrung und Wissen in Bezug auf dessen Gebrauch bedient werden, wenn sie bei der Verwendung des Geräts beaufsichtigt oder angeleitet werden und die möglichen Gefahren verstehen.
- Kinder dürfen nicht mit dem Gerät spielen. Reinigung und Wartungsarbeiten dürfen von Kindern nur unter Aufsicht durchgeführt werden.

## Restrisiken

Beim Gebrauch dieses Geräts verbleiben zusätzliche Restrisiken, die möglicherweise nicht in den Sicherheitswarnungen genannt werden. Diese Risiken bestehen beispielsweise bei Missbrauch oder längerem Gebrauch.

Auch bei der Einhaltung der entsprechenden Sicherheitsvorschriften und der Verwendung aller Sicherheitsgeräte bestehen weiterhin bestimmte Restrisiken. Diese sind:

- Verletzungen, die durch das Berühren von sich drehenden/bewegenden Teilen verursacht werden.
- Verletzungen, die durch das Austauschen von Teilen, Sägeblättern oder Zubehör verursacht werden.

- Verletzungen, die durch längeren Gebrauch eines Geräts verursacht werden. Legen Sie bei längerem Gebrauch regelmäßige Pausen ein.
- Schwerhörigkeit.
- Gesundheitsrisiken durch das Einatmen von Staub bei Verwendung des Geräts (z. B. bei Holzarbeiten, insbesondere Eiche, Buche und Pressspan).

3. Vor-/Zurückwahlschalter
4. Betriebsmodusschalter
5. Bohrfutter
6. Bohrfuttersicherung
7. Zusatzhandgriff

## Montage

**Warnung!** Vergewissern Sie sich vor der Montage, dass das Gerät ausgeschaltet ist und der Netzstecker gezogen wurde.

### Anbringen des seitlichen Haltegriffs (Abb. A)

- ◆ Drehen Sie den Knopf (7c) entgegen dem Uhrzeigersinn, bis Sie den seitlichen Haltegriff (7) wie dargestellt über die Vorderseite des Geräts schieben können.
- ◆ Drehen Sie den seitlichen Haltegriff in die gewünschte Position und stellen Sie dabei sicher, dass die Kerben (7a) im Zahnrad (7b) einrasten.
- ◆ Befestigen Sie den seitlichen Haltegriff, indem Sie den Knopf (7c) im Uhrzeigersinn drehen.

**Hinweis:** Der seitliche Haltegriff kann je nach Wunsch wie positioniert werden.

### Anbringen von Werkzeugen (Abb. B)

- ◆ Drücken Sie auf die Bohrfuttersicherung (6).
- ◆ Öffnen Sie das Bohrfutter, indem Sie die Hülse (5) gegen den Uhrzeigersinn drehen.
- ◆ Setzen Sie einen Einsatz (8) in das Bohrfutter ein.
- ◆ Spannen Sie das Bohrfutter, indem Sie die Hülse im Uhrzeigersinn drehen.

## Verwendung

**Warnung!** Beschleunigen Sie den Arbeitsvorgang nicht mit Gewalt. Vermeiden Sie eine Überlastung.

**Warnung!** Prüfen Sie vor dem Bohren in Wände, Fußböden oder Decken diese Stellen auf dahinter liegende Kabel oder Rohre.

### Ein- und Ausschalten (Abb. C)

- ◆ Um das Gerät einzuschalten, drücken Sie den Ein-/Ausschalter mit Geschwindigkeitsregler (1). Die Leistung des Geräts ist davon abhängig, wie tief Sie den Schalter hineindrücken.
- ◆ Für das Arbeiten im Dauerbetrieb drücken Sie den Feststellknopf (2) und lassen den Geschwindigkeitsregler los. Diese Option kann bei der Rückwärtsdrehung nicht verwendet werden.
- ◆ Um das Gerät auszuschalten, lassen Sie den Geschwindigkeitsregler los. Wenn sich das Gerät im Dauerbetrieb befindet, müssen Sie zum Ausschalten den Geschwindigkeitsregler erneut drücken und loslassen. Halten Sie das Gerät immer wie in Abb. G dargestellt.

## Vibration

Die in den Abschnitten „Technische Daten“ und „EU-Konformitätserklärung“ angegebenen Werte für die Vibrationsemission wurden mit einer Standard-Prüfmethode nach EN62841 ermittelt und können zum Vergleich verschiedener Geräte herangezogen werden. Außerdem kann mit Hilfe dieses Werts die Belastung bei Verwendung des Geräts schon im Voraus eingeschätzt werden.



**Warnung!** Die bei Verwendung des Geräts auftretende Vibrationsemission hängt von der Art des Gerätegebrauchs ab und kann dementsprechend von dem angegebenen Wert abweichen. Gegebenenfalls kann die Vibration über dem angegebenen Wert liegen.

Für die Ermittlung der Vibrationsbelastung müssen die tatsächlichen Einsatzbedingungen und Verwendungen des Geräts während des gesamten Arbeitsgangs berücksichtigt werden, einschließlich der Zeiten, wenn das Gerät nicht verwendet oder im Leerlauf betrieben wird. Diese Werte werden benötigt, um die gemäß 2002/44/EG erforderlichen Sicherheitsmaßnahmen zum Schutz von Personen festlegen zu können.

## Etiketten am Werkzeug

Am Gerät sind die folgenden Piktogramme inkl. Datumcode angebracht:



**Warnung!** Lesen Sie vor Gebrauch die Anleitung. Andernfalls besteht Verletzungsgefahr.



Tragen Sie bei der Arbeit mit Schlagschraubern einen Gehörschutz. Lärm kann Gehörschäden verursachen

## Elektrische Sicherheit



Dieses Gerät ist schutzisoliert, daher ist keine Erdleitung erforderlich. Überprüfen Sie immer, dass die Stromversorgung der Spannung auf dem Typenschild entspricht.

- ◆ Bei einer Beschädigung des Netzkabels muss dieses durch den Hersteller oder eine BLACK+DECKER-Vertragswerkstatt ausgetauscht werden, um mögliche Gefahren zu vermeiden.

1. Drehzahl-Regelschalter
2. Feststellknopf

### Auswählen der Drehrichtung (Abb. D)

Verwenden Sie zum Bohren und Anziehen von Schrauben die Vorwärtsdrehung (im Uhrzeigersinn). Verwenden Sie zum Entfernen von Schrauben und verklemmten Bohreinsätzen die Rückwärtsdrehung (gegen den Uhrzeigersinn).

- ◆ Drücken Sie den Vor-/Zurückwahlschalter (3) nach links, um die Vorwärtsdrehung einzustellen.
- ◆ Drücken Sie den Vor-/Zurückwahlschalter nach rechts, um die Rückwärtsdrehung einzustellen.

**Warnung!** Wechseln Sie auf keinen Fall die Drehrichtung, während der Motor läuft.

### Auswahl des Bohrmodus (Abb. E)

- ◆ Stellen Sie für Schlagbohrarbeiten in Mauerwerk und Beton den Bohrmodussschalter (4) auf die Einstellung **T**.
- ◆ Wenn Sie in Stahl, Holz oder Kunststoffe bohren oder Schraubarbeiten ausführen möchten, stellen Sie den Betriebsmodussschalter (4) auf die Einstellung **1**.

### Zubehör

Das verwendete Zubehör hat wesentlichen Einfluss auf die Leistung des Geräts. Zubehörteile von BLACK+DECKER erfüllen höchste Qualitätsstandards und wurden speziell für die Verwendung mit Ihrem Gerät entwickelt. Bei Verwendung dieses Zubehörs erhalten Sie stets optimale Ergebnisse.

### Wartung

Ihr BLACK+DECKER Gerät (mit und ohne Netzkabel) wurde im Hinblick auf eine lange Lebensdauer und einen möglichst geringen Wartungsaufwand entwickelt. Ein kontinuierlicher, zufriedenstellender Betrieb hängt von der richtigen Pflege des Gerätes und seiner regelmäßigen Reinigung ab.

**Warnung!** Vor dem Ausführen jeglicher Wartungsarbeiten an Geräten mit und ohne Netzkabel:

- ◆ Schalten Sie das Gerät aus und ziehen Sie den Netzstecker.
- ◆ Wenn das Gerät über einen separaten Batteriepack oder Akku verfügt, schalten Sie das Gerät ab und entnehmen Sie die Batterien aus dem Gerät.
- ◆ Wenn der Akku integriert ist, entladen Sie diesen vor dem Abschalten vollständig.
- ◆ Ziehen Sie das Ladegerät aus der Netzsteckdose, bevor Sie es reinigen. Das Ladegerät benötigt keine Wartung, es sollte jedoch regelmäßig gereinigt werden.
- ◆ Reinigen Sie regelmäßig die Lüftungsschlitze des Geräts und des Ladegeräts mit einer weichen Bürste oder einem trockenen Tuch.
- ◆ Reinigen Sie das Motorgehäuse regelmäßig mit einem feuchten Tuch. Verwenden Sie keine scheuernden Reinigungsmittel oder Reinigungsmittel auf Lösungsmittelbasis.
- ◆ Öffnen Sie regelmäßig das Spannfutter, und entfernen Sie durch Klopfen ggf. Staub aus dem Inneren des Geräts.

### Austauschen des Netzsteckers (nur Großbritannien und Irland)

Wenn ein neuer Netzstecker angebracht werden muss:

- ◆ Entsorgen Sie den alten Stecker auf sachgerechte Weise.
- ◆ Verbinden Sie die braune Leitung mit dem spannungsführenden Anschluss des Steckers.
- ◆ Verbinden Sie die blaue Leitung mit dem neutralen Anschluss.

**Warnung!** Stellen Sie keine Verbindung mit dem Erdungsanschluss her. Befolgen Sie die Montageanweisungen, die mit hochwertigen Steckern mitgeliefert werden. Empfohlene Sicherung: 5 A.

### Umweltschutz

Getrennte Entsorgung. Produkte und Akkus mit diesem Symbol dürfen nicht mit dem normalen Hausmüll entsorgt werden. Produkte und Akkus enthalten Materialien, die wiederverwertet werden können, um den Bedarf an Rohstoffen zu verringern.

Bitte recyceln Sie elektrische Produkte und Akkus gemäß den örtlichen Bestimmungen.

Weitere Informationen finden Sie auf [www.2helpU.com](http://www.2helpU.com)

### Technische Daten

		BEH550	BEH710
<b>Nennleistung</b>	$V_{Ac}$	550	710
<b>Leerlaufdrehzahl</b>	$min^{-1}$	0 ~ 2800	0 ~ 2800
<b>Schlagzahl</b>	$min^{-1}$	0 ~ 47600	0 ~ 47600
<b>Gewicht</b>	kg	1,7	1,76
<b>Maximale Bohrtiefe</b>			
<b>Beton</b>	mm	13	13
<b>Stahl</b>	mm	13	13
<b>Holz</b>	mm	25	25

#### BEH550 Schalldruckpegel gemäß EN 62841:

Schalldruck ( $L_{pA}$ ) 93,5 dB(A), Unsicherheitsfaktor (K) 5 dB(A)

Schalleistung ( $L_{WA}$ ) 104,5 dB(A), Unsicherheitsfaktor (K) 5 dB(A)

#### BEH710 Schalldruckpegel gemäß EN 62841:

Schalldruck ( $L_{pA}$ ) 95,5 dB(A), Unsicherheitsfaktor (K) 5 dB(A)

Schalleistung ( $L_{WA}$ ) 106,5 dB(A), Unsicherheitsfaktor (K) 5 dB(A)

#### BEH550 Gesamtvibration (Triax-Vektorsumme) gemäß EN 62841:

Schlagbohren in Beton ( $a_{h, 1D}$ ) 14,8  $m/s^2$ , Unsicherheitsfaktor (K) 1,5  $m/s^2$   
 Metallbohren ( $a_{h, D}$ ) 1,8  $m/s^2$ , Unsicherheitsfaktor (K) 1,5  $m/s^2$

#### BEH710 Gesamtvibration (Triax-Vektorsumme) gemäß EN 62841:

Schlagbohren in Beton ( $a_{h, 1D}$ ) 16,2  $m/s^2$ , Unsicherheitsfaktor (K) 1,5  $m/s^2$   
 Metallbohren ( $a_{h, D}$ ) 1,9  $m/s^2$ , Unsicherheitsfaktor (K) 1,5  $m/s^2$

## EU-Konformitätserklärung

MASCHINENRICHTLINIE



BEH550, BEH710 Schlagbohrmaschine

Black & Decker erklärt, dass die in den technischen Daten beschriebenen Geräte übereinstimmen mit:

EN62841-1:2015, EN 62841-2-1:2018+A11:2019.

Diese Produkte entsprechen außerdem den Richtlinien 2006/42/EC, 2014/30/EU und 2011/65/EU. Weitere Informationen erhalten Sie von Black & Decker unter der folgenden Adresse. Diese befindet sich auch auf der Rückseite dieser Anleitung.

Der Unterzeichnete ist verantwortlich für die Zusammenstellung der technischen Daten und gibt diese Erklärung im Namen von Black & Decker ab.

Ed Higgins

Director – Consumer Power Tools

Black &amp; Decker Europe, 270 Bath Road, Slough,

Berkshire, SL1 4DX

Vereinigtes Königreich

30.06.2020

## Garantie

Black & Decker vertraut auf die Qualität der eigenen Geräte und bietet dem Käufer eine außergewöhnliche Garantie von 24 Monaten ab Kaufdatum. Diese Garantie versteht sich unbeschadet der gesetzlichen Gewährleistungsansprüche und schränkt diese keinesfalls ein. Diese Garantie gilt innerhalb der Staatsgebiete der Mitgliedstaaten der Europäischen Union und der Europäischen Freihandelszone.

Zur Inanspruchnahme dieser Garantie muss sie den allgemeinen Geschäftsbedingungen von Black & Decker entsprechen und dem Verkäufer bzw. der Vertragswerkstatt ist ein Kaufnachweis vorzulegen. Die Bedingungen für die 2-jährige Garantie von Black & Decker und den Standort Ihrer nächstgelegenen Vertragswerkstatt finden Sie im Internet unter [www.2helpU.com](http://www.2helpU.com) oder indem Sie sich an die lokale Black & Decker-Niederlassung wenden, deren Adresse Sie in dieser Anleitung finden.

Ihr neues Black & Decker Produkt können Sie auf unserer Website unter [www.blackanddecker.de](http://www.blackanddecker.de) registrieren. Dort erhalten Sie auch Informationen über neue Produkte und Sonderangebote.

## Utilisation prévue

Votre perceuse à percussion BLACK+DECKER BEH550, BEH710 a été conçue pour percer le bois, le métal, le plastique, la maçonnerie ainsi que pour effectuer des opérations de vissage. Cet outil est destiné à un usage grand public uniquement.

## Consignes de sécurité

## Avertissements liés à la sécurité générale propres aux outils électriques



**Avertissement ! Veuillez à lire tous les avertissements sur la sécurité, toutes les instructions, toutes les illustrations et toutes les spécifications fournies avec cet outil électrique.**

Le non-respect de toutes les instructions listées ci-dessous peut conduire à des décharges électriques, des incendies et/ou de graves blessures.

**Conservez tous les avertissements et toutes les instructions afin de pouvoir vous y référer dans le futur.** Le terme "outil électrique" mentionné dans tous les avertissements listés ci-dessous fait référence à vos outils électriques branchés sur secteur (avec câble) ou fonctionnant sur pile ou batterie (sans fil).

## 1. Sécurité de la zone de travail

## a. Maintenez la zone de travail propre et bien éclairée.

Les zones sombres ou encombrées sont propices aux accidents.

## b. N'utilisez pas d'outils électriques dans un environnement présentant des risques d'explosion ou en présence de liquides, gaz ou poussières inflammables. Les outils électriques créent des étincelles qui peuvent enflammer les poussières et les fumées.

## c. Maintenez les enfants et les autres personnes à l'écart quand vous utilisez un outil électrique. Toute distraction peut vous faire perdre le contrôle de l'outil.

## 2. Sécurité électrique

## a. Les prises des outils électriques doivent correspondre à la prise de courant murale. Ne modifiez jamais la prise d'aucune sorte. N'utilisez aucun adaptateur avec des outils électriques reliés à la terre. L'utilisation de prises d'origine et de prises murales appropriées permet de réduire le risque de décharge électrique.

## b. Évitez tout contact physique avec des surfaces reliées à la terre comme des tuyaux, des radiateurs, des fours et des réfrigérateurs par exemple. Il y a sinon un risque accru de décharge électrique si votre corps est lui-même relié à la terre.

- c. **N'exposez pas les outils électriques à la pluie, ni à l'humidité.** Le risque de décharge électrique augmente si de l'eau pénètre dans un outil électrique.
  - d. **Ne tirez pas sur le cordon d'alimentation. N'utilisez jamais le cordon pour transporter, tirer ou débrancher l'outil électrique.** Maintenez le cordon à l'écart de la chaleur, des substances grasses, des bords tranchants ou des pièces mobiles. Les cordons endommagés ou emmêlés augmentent le risque de décharge électrique.
  - e. **Si vous utilisez un outil électrique à l'extérieur, utilisez une rallonge homologuée pour les travaux extérieurs.** L'utilisation d'une rallonge électrique homologuée pour les travaux en extérieur réduit le risque de décharge électrique.
  - f. **Si l'utilisation d'un outil électrique dans un endroit humide est inévitable, utilisez une alimentation électrique protégée par un disjoncteur différentiel à courant résiduel (DDR).** L'utilisation d'un DDR réduit le risque de décharge électrique.
- 3. Sécurité des personnes**
- a. **Restez vigilant, surveillez ce que vous faites et faites preuve de bon sens lorsque vous utilisez un outil électrique. N'utilisez pas d'outils électriques si vous êtes fatigué ou sous l'influence de drogue, d'alcool ou de médicaments.** Tout moment d'inattention pendant l'utilisation d'un outil électrique peut entraîner de graves blessures.
  - b. **Portez des équipements de protection individuelle. Portez toujours une protection oculaire.** Les équipements de protection comme les masques à poussière, les chaussures de sécurité antidérapantes, les casques ou les protections auditives réduisent le risque de blessures s'ils sont utilisés à bon escient.
  - c. **Empêchez tout démarrage intempestif. Assurez-vous que l'interrupteur est en position Arrêt avant de raccorder l'outil à l'alimentation électrique et/ou au bloc-batterie ou avant de ramasser ou de transporter l'outil.** Le fait de transporter les outils électriques le doigt sur l'interrupteur ou d'alimenter les outils électriques dont l'interrupteur est déjà en position Marche augmente les accidents.
  - d. **Retirez toutes les clés ou pinces de réglage avant de mettre l'outil en marche.** Une clé ou une pince restée fixée sur une pièce rotative de l'outil électrique peut entraîner des blessures.
  - e. **Ne vous penchez pas. Gardez les pieds bien ancrés au sol et conservez votre équilibre en permanence.** Cela permet de mieux maîtriser l'outil électrique en cas de situations imprévues.
  - f. **Portez des vêtements appropriés. Ne portez aucuns vêtements amples, ni bijoux. Gardez vos cheveux, vos vêtements et vos gants à l'écart des pièces mobiles.** Les vêtements amples, les bijoux ou les cheveux longs peuvent être happés par les pièces mobiles.
  - g. **Si vous disposez de dispositifs pour l'extraction et la récupération des poussières, veillez à ce qu'ils soient correctement raccordés et utilisés.** L'utilisation de dispositifs récupérateurs de poussière réduit les risques liés aux poussières.
  - h. **Ne pensez pas être à ce point familiarisé avec l'outil après l'avoir utilisé à de nombreuses reprises, au point de ne plus rester vigilant et d'en oublier les consignes de sécurité. Toute action imprudente peut entraîner de graves blessures en une fraction de seconde.**
- 4. Utiliser et entretenir un outil électrique**
- a. **Ne sur-sollicitez pas l'outil électrique. Utilisez un outil approprié, adapté au travail à réaliser.** Un outil adapté fonctionne mieux, de façon plus sûre et à la cadence pour laquelle il a été conçu.
  - b. **N'utilisez pas l'outil électrique si l'interrupteur ne permet plus de le mettre en marche et de l'éteindre.** Tout appareil électrique qui ne peut plus être commandé par son interrupteur est dangereux et il doit être réparé.
  - c. **Débranchez la prise de l'outil électrique de la source d'alimentation électrique et/ou retirez-en le bloc-batterie s'il est amovible, avant d'effectuer tout réglage, de changer un accessoire ou de ranger l'outil électrique.** Ces mesures de sécurité préventives réduisent le risque de démarrage accidentel de l'outil électrique.
  - d. **Rangez les outils électriques non utilisés hors de portée des enfants et ne laissez aucune personne ne connaissant pas ces outils ou leurs instructions d'utilisation les faire fonctionner.** Les outils électriques peuvent être dangereux entre des mains inexpérimentées.
  - e. **Veillez à bien entretenir vos outils électriques et leurs accessoires. Vérifiez que les pièces mobiles sont alignées correctement et qu'elles ne sont pas coincées. Vérifiez qu'aucune pièce n'est cassée et contrôlez l'absence de toute autre condition qui pourrait nuire au bon fonctionnement de l'outil. En cas de dommage, faites réparer l'outil électrique avant de le réutiliser.** De nombreux accidents sont provoqués par des outils électriques mal entretenus.
  - f. **Maintenez les organes de coupe affûtés et propres.** Des organes de coupe bien entretenus dont le tranchant est affûté sont moins susceptibles de rester coincés et sont plus faciles à maîtriser.

- g. **Utilisez l'outil électrique, les accessoires et les embouts d'outils conformément à ces instructions, en tenant compte des conditions de travail et de la tâche à effectuer.** L'utilisation d'un outil électrique à des fins autres que celles pour lesquelles il a été prévu peut entraîner des situations dangereuses.
- h. **Veillez à ce que les poignées et les surfaces de préhension soient sèches et propres, sans trace d'huile ou de graisse. Des poignées et des surfaces de préhension glissantes ne permettent pas de manipuler et de contrôler l'outil correctement en cas de situations inattendues.**

## 5. Révision/Réparation

- a. **Ne faites réviser/réparer votre outil électrique que par un réparateur qualifié qui n'utilise que des pièces de rechange d'origine.** Cela permet de garantir la sûreté de l'outil électrique.

## Consignes de sécurité pour toutes les opérations

- **Portez des protections auditives pour le perçage à percussion.** L'exposition au bruit peut provoquer la perte de l'ouïe.
- **Utilisez la/s poignée/s auxiliaire/s.** La perte de contrôle peut provoquer des blessures.
- **Tenez correctement l'outil avant de l'utiliser.** Cet outil génère un couple élevé et s'il n'est pas correctement tenu, une perte de contrôle pouvant provoquer des blessures est possible.
- **Tenez l'outil électrique par ses surfaces de préhension isolées lorsque vous réalisez une opération au cours de laquelle l'accessoire de coupe pourrait entrer en contact avec des fils électriques cachés ou son propre cordon.** Tout contact de l'accessoire de coupe avec un fil sous tension peut mettre les parties métalliques exposées de l'outil sous tension et provoquer une décharge électrique à l'utilisateur.

## Consignes de sécurité pour l'utilisation de mèches longues

- **Ne les utilisez jamais à une vitesse supérieure à leur vitesse nominale maximum.** À grande vitesse, la mèche peut plier si elle tourne dans le vide, sans être en contact avec l'ouvrage et des blessures sont possibles.
- **Commencez toujours à percer à faible vitesse alors que la pointe de la mèche est en contact avec l'ouvrage.** À grande vitesse, la mèche peut plier si elle tourne dans le vide, sans être en contact avec l'ouvrage et des blessures sont possibles.
- **N'exercez qu'une faible pression, toujours perpendiculaire sur la mèche.** Les mèches peuvent plier et casser provoquant une perte de contrôle et des blessures.

## Avertissements de sécurité supplémentaires propres aux perceuses/visseuses/marteaux perforateurs

- Utilisez des pinces ou tout autre moyen pratique pour fixer et soutenir l'ouvrage sur une plateforme stable. Tenir l'ouvrage dans vos mains ou contre vos corps le rend instable et peut conduire à une perte de contrôle.
- Les accessoires et les outils peuvent devenir chauds pendant l'utilisation. Portez des gants pour les manipuler lorsque vous réalisez des opérations qui produisent de la chaleur comme le perçage du métal par exemple.
- Les événements d'aération recouvrent souvent les pièces mobiles et doivent être évités. Les vêtements amples, les bijoux ou les cheveux longs peuvent être happés par les pièces mobiles.
- Portez des lunettes de protection ou un autre moyen de protection oculaire. Les opérations de perçage et de perçage à percussion peuvent projeter des éclats. Les particules volantes peuvent endommager vos yeux de façon permanente.
- Portez des protections auditives pour le perçage à percussion. L'exposition au bruit peut provoquer la perte de l'ouïe.
- Utilisez les poignées auxiliaires, si fournies avec l'outil. La perte de contrôle peut provoquer des blessures.
- N'utilisez pas cet outil de manière prolongée. Les vibrations engendrées par l'outil peuvent être nocives pour les mains et les bras. Utilisez des gants pour les amortir et limitez l'exposition en faisant régulièrement des pauses.

## Sécurité des personnes

- Cet appareil peut être utilisé par des enfants âgés de 8 ans ou plus et par des personnes aux capacités physiques, sensorielles ou intellectuelles réduites ou qui manquent d'expérience ou de connaissance s'ils sont supervisés ou ont été formés sur l'utilisation sûre de l'appareil et qu'ils sont conscients des risques potentiels.
- Ne laissez pas les enfants jouer avec l'appareil. Le nettoyage et les opérations de maintenance à réaliser par l'utilisateur ne doivent pas être exécutés par des enfants sans surveillance.

## Risques résiduels

Certains risques résiduels autres que ceux mentionnés dans les avertissements sur la sécurité peuvent survenir en utilisant l'outil. Ces risques peuvent être dus à une utilisation incorrecte, prolongée, etc.

Malgré le respect de toutes les réglementations pertinentes sur la sécurité et la mise en œuvre de dispositifs de sécurité, certains risques résiduels ne peuvent pas être évités. Ils comprennent :

- Les blessures dues au contact avec des pièces mobiles/ en rotation.

- Les blessures dues au changement de pièces, de lame ou d'accessoires.
- Les blessures dues à l'utilisation prolongée d'un outil. Lorsque vous utilisez un outil quel qu'il soit pendant de longues périodes, veillez à faire des pauses régulières.
- Les troubles de l'ouïe.
- Les risques pour la santé dus à l'inhalation de poussières produites pendant l'utilisation de l'outil (exemple : travail avec du bois, surtout le chêne, le hêtre et les panneaux en MDF).
- ◆ Si le câble d'alimentation est endommagé, il doit être remplacé par le fabricant ou par un centre d'assistance agréé BLACK+DECKER afin d'éviter tout risque.
  1. Interrupteur variateur de vitesse
  2. Bouton de verrouillage
  3. Bouton de sélection du sens de rotation Avant/Arrière
  4. Sélecteur mode Perçage
  5. Mandrin
  6. Dispositif de verrouillage du mandrin
  7. Poignée latérale

## Vibrations

La valeur des émissions de vibrations déclarée dans les caractéristiques techniques et la déclaration de conformité a été mesurée conformément à la méthode de test normalisée établie par la norme EN62841 et elle peut être utilisée pour comparer un outil à un autre. La valeur des vibrations émises déclarée peut aussi être utilisée pour une évaluation préliminaire à l'exposition.



**Avertissement !** En fonction de la manière dont l'outil est utilisé, la valeur réelle des vibrations émises pendant son utilisation peut différer de la valeur déclarée. Le niveau des vibrations peut dépasser le niveau déclaré.

Quand l'exposition aux vibrations est évaluée afin de déterminer les mesures de sécurité requises par la norme 2002/44/CE pour protéger les personnes utilisant régulièrement des outils électriques, l'estimation doit tenir compte des conditions réelles d'utilisation et de la façon dont l'outil est utilisé. Il faut également tenir compte de toutes les composantes du cycle de fonctionnement comme la durée pendant laquelle l'outil est arrêté et quand il fonctionne au ralenti, ainsi que la durée du déclenchement.

## Étiquettes apposées sur l'outil

Les pictogrammes qui suivent figurent sur l'outil avec le code date :



**Avertissement !** Afin de réduire le risque de blessures, l'utilisateur doit lire le manuel d'utilisation.



Portez des protections auditives pour utiliser une perceuse à percussion. L'exposition au bruit peut engendrer la perte de l'ouïe

## Sécurité électrique



Cet outil est doublement isolé, il ne nécessite donc aucun fil de liaison à la terre. Assurez-vous toujours que l'alimentation électrique correspond à la tension mentionnée sur la plaque signalétique.

## Assemblage

**Avertissement !** Avant l'assemblage, assurez-vous que l'outil est éteint et débranché.

### Installation de la poignée latérale (Fig. A)

- ◆ Tournez le bouton (7c) dans le sens inverse des aiguilles d'une montre jusqu'à ce que la poignée latérale (7) puisse glisser sur l'avant de l'outil, comme le montre l'illustration.
- ◆ Pivotez la poignée latérale jusqu'à la position voulue en vous assurant que les encoches (7a) s'engagent dans le pignon (7b).
- ◆ Serrez la poignée latérale en tournant le bouton (7c) dans le sens des aiguilles d'une montre.

**Remarque :** La poignée latérale peut être positionnée, en fonction de vos préférences.

### Mise en place d'un accessoire (Fig. B)

- ◆ Appuyez sur le dispositif de verrouillage du mandrin (6)
- ◆ Ouvrez le mandrin en tournant le manchon (5) dans le sens inverse des aiguilles d'une montre.
- ◆ Insérez la tige de la mèche (8) dans le mandrin.
- ◆ Serrez le mandrin en tournant le manchon dans le sens des aiguilles d'une montre.

## Utilisation

**Avertissement !** Laissez l'outil fonctionner à son propre rythme. Ne le poussez pas au-delà de sa capacité.

**Avertissement !** Avant de percer les murs, les planchers ou les plafonds, vérifiez l'emplacement des fils électriques et des canalisations.

### Mise en marche et extinction (Fig. C)

- ◆ Pour mettre l'outil en marche, appuyez sur l'interrupteur variateur de vitesse (1). La vitesse de l'outil dépend du degré d'enfoncement de l'interrupteur.
- ◆ Pour faire fonctionner l'outil en continu, appuyez sur le bouton de verrouillage (2) et relâchez l'interrupteur variateur de vitesse. Cette option ne fonctionne pas en sens de rotation arrière.
- ◆ Pour éteindre l'outil, relâchez l'interrupteur variateur de vitesse.



Pour arrêter l'outil quand il fonctionne en mode continu, appuyez une nouvelle fois sur le variateur de vitesse puis relâchez-le. Tenez toujours l'outil comme illustré par la figure G.

### Sélection du sens de rotation (Fig. D)

Pour percer et visser, utilisez le sens de rotation avant (sens des aiguilles d'une montre). Pour desserrer des vis ou pour retirer une mèche coincée, utilisez le sens de rotation arrière (sens inverse des aiguilles d'une montre).

- ◆ Pour sélectionner le sens de rotation avant, poussez le curseur de réglage du sens de rotation (3) vers la gauche.
- ◆ Pour sélectionner le sens de rotation arrière, poussez le curseur de réglage du sens de rotation vers la droite.

**Avertissement !** Ne modifiez jamais le sens de rotation quand le moteur tourne.

### Choix du mode de perçage (Fig. E)

- ◆ Pour le perçage à choc des matériaux de maçonnerie et du béton, réglez le sélecteur de mode de perçage (4) sur la position **T**.
- ◆ Pour percer l'acier, le bois et le plastique ou pour le vissage, placez le sélecteur de mode (4) sur la position **1**.

### Accessoires

Les performances de votre outil dépendent de l'accessoire utilisé. Les accessoires BLACK+DECKER sont élaborés selon des normes de qualité supérieures et ils sont conçus pour améliorer les performances de votre outil. L'utilisation de ces accessoires vous permet de tirer pleinement profit de votre outil.

### Maintenance

Votre appareil/outil sans fil/avec fil BLACK+DECKER a été conçu pour fonctionner pendant avec un minimum d'entretien. Le fonctionnement continu et satisfaisant de l'outil dépend de son bon entretien et de son nettoyage régulier.

**Avertissement !** Avant de procéder à la maintenance des outils électriques avec ou sans fil :

- ◆ Éteignez l'appareil/outil et débranchez-le.
- ◆ Ou, éteignez l'appareil/outil et retirez la batterie de l'appareil/outil si celui-ci est muni d'un bloc-batterie séparé.
- ◆ Ou déchargez complètement la batterie si elle est intégrée, puis éteignez l'appareil/outil.
- ◆ Débranchez le chargeur avant de le nettoyer. Votre chargeur ne nécessite aucun entretien particulier, à l'exception d'un nettoyage régulier.
- ◆ Nettoyez régulièrement les orifices d'aération de votre appareil/outil/chargeur à l'aide d'une brosse souple ou d'un chiffon sec.
- ◆ Nettoyez régulièrement le bloc-moteur à l'aide d'un chiffon humide.

N'utilisez pas de détergents abrasifs ou à base de solvants.

- ◆ Ouvrez régulièrement le mandrin et retirez la poussière à l'intérieur en le tapotant (si installé).

### Remplacer la prise de courant (RU et Irlande uniquement)

Si une nouvelle prise électrique doit être installée :

- ◆ Jetez l'ancienne prise de façon appropriée.
- ◆ Raccordez le fil marron à la phase de la nouvelle prise.
- ◆ Raccordez le fil bleu au neutre.

**Avertissement !** Aucun branchement ne doit être fait à la borne de terre. Respectez les instructions d'installation fournies avec les prises de bonne qualité. Fusible recommandé : 5 A.

### Protection de l'environnement

Tri sélectif. Les produits et piles/batteries marqués de ce symbole ne doivent pas être jetés avec les déchets ménagers. Les produits et les piles/batteries contiennent des matières qui peuvent être récupérées et recyclées afin de réduire la demande en matières premières.

Veillez à recycler les produits électriques et les piles/batteries conformément aux prescriptions locales en vigueur.

Pour plus d'informations, consultez le site [www.2helpU.com](http://www.2helpU.com)

### Caractéristiques techniques

		BEH550	BEH710
Puissance nominale	$V_{CA}$	550	710
Vitesse à vide	$\text{min}^{-1}$	0 ~ 2800	0 ~ 2800
Cadence de l'impact	$\text{min}^{-1}$	0 ~ 47600	0 ~ 47600
Poids	kg	1,7	1,76
<b>Capacité maxi de perçage</b>			
Béton	mm	13	13
Acier	mm	13	13
Bois	mm	25	25

#### BEH550 Niveau de pression sonore selon la norme EN 62841 :

Pression sonore ( $L_{pA}$ ) 93,5 dB(A), incertitude (K) 5 dB(A)

Puissance sonore ( $L_{WA}$ ) 104,5 dB(A), incertitude (K) 5 dB(A)

#### BEH710 Niveau de pression sonore selon la norme EN 62841 :

Pression sonore ( $L_{pA}$ ) 95,5 dB(A), incertitude (K) 5 dB(A)

Puissance sonore ( $L_{WA}$ ) 106,5 dB(A), incertitude (K) 5 dB(A)

#### BEH550 Valeurs totales des vibrations (somme vectorielle triaxiale) selon la norme EN 62841 :

Perçage à percussion dans le béton ( $a_{h,10}$ ) 14,8  $\text{m/s}^2$ , incertitude (K) 1,5  $\text{m/s}^2$

Perçage du métal ( $a_{h,D}$ ) 1,8  $\text{m/s}^2$ , incertitude (K) 1,5  $\text{m/s}^2$

BEH710 Valeurs totales des vibrations (somme vectorielle triaxiale) selon la norme EN 62841 :

Perçage à percussion dans le béton ( $a_{h, ID}$ ) 16,2 m/s<sup>2</sup>, incertitude (K) 1,5 m/s<sup>2</sup>  
Perçage du métal ( $a_{h, D}$ ) 1,9 m/s<sup>2</sup>, incertitude (K) 1,5 m/s<sup>2</sup>

## Déclaration de conformité CE

DIRECTIVES MACHINES



BEH550, BEH710 Perceuse à percussion

Black & Decker déclare que les produits décrits dans les "Caractéristiques techniques" sont conformes aux normes : EN62841-1:2015 , EN 62841-2-1:2018+A11:2019.

Ces produits sont également conformes aux Directives 2006/42/CE, 2014/30/UE et 2011/65/UE. Pour plus de précisions, veuillez contacter Black & Decker à l'adresse qui suit ou consulter la dernière page du présent manuel.

Le soussigné est responsable de la compilation du dossier technique il fait cette déclaration au nom de Black & Decker.

Ed Higgins

Directeur – Outils électriques grand public  
Black & Decker Europe, 270 Bath Road, Slough,  
Berkshire, SL1 4DX  
Royaume-Uni  
30/06/2020

## Garantie

Black & Decker est sûr de la qualité de ses produits et offre une garantie de 24 mois aux utilisateurs, à partir de la date d'achat. Cette garantie s'ajoute à vos droits légaux auxquels elle ne porte aucunement préjudice. Cette garantie est valable au sein des territoires des États membres de l'Union européenne et au sein de la Zone européenne de libre-échange.

Pour prétendre à la garantie, la réclamation doit être en conformité avec les conditions générales de Black & Decker et vous devez fournir une preuve d'achat au vendeur ou au réparateur agréé. Les conditions générales de la garantie de 2 ans Black & Decker ainsi que l'adresse du réparateur agréé le plus proche sont disponibles sur le site Internet [www.2helpU.com](http://www.2helpU.com) ou en contactant votre agence Black & Decker locale à l'adresse indiquée dans ce manuel.

Veuillez consulter notre site Internet [www.blackanddecker.co.uk](http://www.blackanddecker.co.uk) pour enregistrer votre nouveau produit Black & Decker et pour être tenu informé des nouveaux produits et offres spéciales.

## Usò previsto

Il trapano a percussione BLACK+DECKER BEH550, BEH710 è stato progettato per trapanare legno, metallo, plastica e murature oltre che per avvitare. Questo utensile è destinato esclusivamente all'uso privato.

## Istruzioni di sicurezza

### Avvertenze di sicurezza generali per gli elettrodomestici



**Avvertenza! Leggere attentamente tutte le avvertenze, istruzioni, illustrazioni e specifiche fornite con l'elettrodomestico.** La mancata osservanza delle istruzioni seguenti può dar luogo a scossa elettrica, incendio e/o lesioni personali gravi.

**Conservare tutte le avvertenze e le istruzioni per riferimenti futuri.** Il termine "elettrodomestico" utilizzato in tutte le avvertenze elencate di seguito fa riferimento sia agli utensili elettrici alimentati tramite una rete elettrica (con cavo) che agli utensili elettrici a batteria (senza cavo).

#### 1. Sicurezza dell'area di lavoro

- Tenere pulita e ben illuminata l'area di lavoro.** Gli ambienti disordinati o scarsamente illuminati favoriscono gli incidenti.
- Evitare di impiegare gli elettrodomestici in ambienti esposti al rischio di esplosione, come ad esempio in presenza di liquidi, gas o polveri infiammabili.** Gli elettrodomestici generano scintille che possono incendiare polveri o fumi.
- Tenere lontani bambini e altre persone presenti mentre si usa un elettrodomestico.** Eventuali distrazioni possono provocare la perdita di controllo.

#### 2. Sicurezza elettrica

- Le spine elettriche degli elettrodomestici devono essere adatte alla presa di corrente. Non modificare la spina in alcun modo. Non utilizzare spine con adattatore con un elettrodomestico dotato di messa a terra.** Per ridurre il rischio di scossa elettrica evitare di modificare le spine e utilizzare sempre le prese di corrente appropriate.
- Evitare il contatto con superfici collegate a terra, quali tubature, termosifoni, fornelli e frigoriferi.** Se il corpo dell'utilizzatore è collegato a terra, il rischio di scossa elettrica aumenta.
- Custodire gli elettrodomestici al riparo dalla pioggia o dall'umidità.** Se dovesse penetrare dell'acqua all'interno dell'elettrodomestico, il rischio di scossa elettrica aumenta.
- Non utilizzare il cavo di alimentazione in modo improprio. Non spostare, tirare o scollegare mai l'elettrodomestico tirandolo dal cavo.**

Tenere il cavo di alimentazione lontano da fonti di calore, olio, bordi taglienti o parti in movimento. Se il cavo di alimentazione è danneggiato o impigliato, il rischio di scossa elettrica aumenta.

- e. **Se l'elettrodomestico viene adoperato all'aperto, usare esclusivamente prolunghe omologate per l'impiego all'esterno.** L'uso di un cavo di alimentazione idoneo per esterni riduce il rischio di scossa elettrica.
- f. **Se non è possibile evitare di lavorare in una zona umida, collegarsi a una rete elettrica protetta da un interruttore differenziale salvavita (RCD).** L'uso di un RCD salvavita riduce il rischio di scossa elettrica.

### 3. Sicurezza personale

- a. **È importante concentrarsi su ciò che si sta facendo e maneggiare con giudizio l'elettrodomestico. Non utilizzare l'elettrodomestico quando si è stanchi o sotto l'effetto di sostanze stupefacenti, alcool o medicinali.**  
Un solo attimo di distrazione durante l'uso dell'elettrodomestico potrebbe provocare gravi lesioni personali.
- b. **Usare dispositivi di protezione individuale. Indossare sempre occhiali di sicurezza.** L'uso di dispositivi di protezione, quali maschere antipolvere, scarpe antinfortunistiche antiscivolo, elmetti di sicurezza o protezioni per l'udito, in condizioni opportune consente di ridurre le lesioni personali.
- c. **Prevenire l'avvio accidentale. Accertarsi che l'interruttore sia nella posizione di spegnimento, prima di collegare l'elettrodomestico alla rete elettrica e/o alla batteria, di prenderlo in mano o di trasportarlo.**  
Per non esporsi al rischio di incidenti, non trasportare l'elettrodomestico tenendo le dita sull'interruttore e non collegarlo a una fonte di alimentazione elettrica con l'interruttore in posizione di accensione.
- d. **Prima di accendere un elettrodomestico, rimuovere eventuali chiavi o attrezzi di regolazione.** Un utensile di regolazione o una chiave fissati a una parte rotante dell'elettrodomestico possono provocare lesioni personali.
- e. **Non sporgersi troppo. Mantenere sempre un appoggio e un equilibrio adeguati.** In tal modo è possibile mantenere un migliore controllo dell'elettrodomestico nelle situazioni impreviste.
- f. **Indossare indumenti adeguati. Non indossare abiti larghi o gioielli. Tenere i capelli, gli indumenti e i guanti lontano dalle parti mobili.** Abiti larghi, gioielli o capelli lunghi possono impigliarsi nelle parti in movimento.
- g. **Se gli elettrodomestici sono provvisti di attacchi per il collegamento di dispositivi di aspirazione o di raccolta delle polveri, assicurarsi che questi siano installati e utilizzati correttamente.** L'impiego di dispositivi per la raccolta delle polveri può ridurre i pericoli legati a queste ultime.

- h. **Non lasciare che la familiarità acquisita dall'uso frequente degli elettrodomestici induca a cedere alla tentazione di ignorare i principi di utilizzo sicuro degli stessi. Un'azione imprudente potrebbe provocare lesioni personali gravi in una frazione di secondo.**

### 4. Uso e cura dell'elettrodomestico

- a. **Non sovraccaricare l'elettrodomestico. Utilizzare l'elettrodomestico adatto al lavoro da eseguire.**  
L'elettrodomestico corretto funziona meglio e in modo più sicuro, se utilizzato alla velocità per cui è stato progettato.
- b. **Non utilizzare elettrodomestici con interruttori di accensione/spegnimento difettosi.** Qualsiasi elettrodomestico che non possa essere controllato tramite l'interruttore è pericoloso e deve essere riparato.
- c. **Staccare la spina dall'alimentazione elettrica e/o rimuovere il pacco batteria, se rimovibile, dall'apparato elettrico prima di effettuare qualsiasi tipo di regolazione, prima di cambiare gli accessori o di riparlo.** Queste misure di sicurezza preventive riducono il rischio di azionare l'elettrodomestico accidentalmente.
- d. **Quando non vengono usati, gli elettrodomestici devono essere custoditi fuori dalla portata dei bambini. Non consentire l'uso dell'elettrodomestico a persone inesperte o che non abbiano letto queste Istruzioni.** Gli elettrodomestici sono pericolosi in mano a persone inesperte.
- e. **Sottoporre gli elettrodomestici e gli accessori a regolare manutenzione. Verificare che le parti mobili siano correttamente allineate e non inceppate, che non vi siano componenti rotti e che non sussistano altre condizioni che possono compromettere il funzionamento dell'elettrodomestico. Se l'elettrodomestico è danneggiato, farlo riparare prima dell'uso.** Molti incidenti sono provocati da elettrodomestici non sottoposti a corretta manutenzione.
- f. **Mantenere affilati e puliti gli utensili da taglio.** La manutenzione corretta degli utensili da taglio con bordi affilati riduce le probabilità di inceppamento e ne facilita il controllo.
- g. **Utilizzare l'elettrodomestico, gli accessori e le punte in conformità a queste istruzioni, tenendo conto delle condizioni operative e del lavoro da eseguire.** L'utilizzo dell'elettrodomestico per impieghi diversi da quelli previsti può provocare situazioni di pericolo.
- h. **Mantenere le impugnature e le superfici di presa asciutte, pulite e senza tracce di olio o grasso.** Impugnature e superfici di presa scivolose non consentono di maneggiare e controllare in modo sicuro l'elettrodomestico nel caso di imprevisti.

## 5. Assistenza

- a. **Fare riparare l'elettrotensile esclusivamente da personale specializzato che utilizzi solo ricambi originali.** In questo modo viene garantita la sicurezza dell'elettrotensile.

### Istruzioni di sicurezza per tutte le operazioni

- **Indossare sempre protezioni per l'udito quanto si eseguono lavori di foratura a percussione.** L'esposizione al rumore può causare la perdita dell'udito.
- **Utilizzare impugnature ausiliarie.** La perdita di controllo può causare lesioni a persone.
- **Prima dell'uso sostenere l'elettrotensile in modo adeguato.** Questo elettrotensile produce una coppia di uscita elevata e se non viene sorretto correttamente durante l'uso potrebbe provocare lesioni personali.
- **Tenere l'elettrotensile afferrando le superfici di presa isolate, se si sta eseguendo un'operazione dove esiste la possibilità che l'accessorio di taglio possa venire a contatto di cavi nascosti o del filo di alimentazione.** Se un accessorio di taglio dovesse venire a contatto con un cavo sotto tensione trasmetterebbe la corrente elettrica anche alle parti metalliche esposte dell'elettrotensile, con il pericolo di provocare la folgorazione dell'utilizzatore.

### Istruzioni di sicurezza durante l'utilizzo di punte lunghe

- **Non azionare mai il trapano/avvitatore a una velocità superiore alla velocità massima nominale della punta.** A velocità superiori è probabile che la punta si pieghi se viene lasciata ruotare liberamente senza toccare il pezzo da lavorare, con la possibilità di conseguenti lesioni personali.
- **Iniziare sempre a eseguire un foro a bassa velocità e con la punta a contatto con il pezzo in lavorazione.** A velocità superiori è probabile che la punta si pieghi se viene lasciata ruotare liberamente senza toccare il pezzo da lavorare, con la possibilità di conseguenti lesioni personali.
- **Applicare pressione solo in linea diretta con la punta (non esercitare una pressione eccessiva).** Le punte potrebbero piegarsi e rompersi o provocare la perdita di controllo del trapano con la possibilità di conseguenti lesioni personali.

### Avvertenze di sicurezza aggiuntive per trapani/avvitatori/trapani a percussione

- Usare morse o altri metodi pratici per fissare e bloccare il pezzo in lavorazione a una piattaforma stabile. Tenere il pezzo in lavorazione con le mani o contro il corpo non ne assicura la stabilità e potrebbe comportare la perdita di controllo.

- Durante l'uso l'elettrotensile e gli accessori possono scaldarsi. Per maneggiarli indossare dei guanti se si devono eseguire lavori che generano calore, come la foratura di metalli.
- Le prese d'aria spesso coprono le parti mobili e devono essere evitate. Abiti larghi, gioielli o capelli lunghi possono impigliarsi nelle parti in movimento.
- Indossare occhiali di sicurezza o altre protezioni per gli occhi. La foratura con l'uso del trapano può emettere schegge. Tali schegge possono causare danni permanenti alla vista.
- Indossare sempre protezioni per l'udito quanto si eseguono lavori di foratura a percussione. L'esposizione al rumore può causare la perdita dell'udito.
- Usare l'impugnatura ausiliaria/le impugnature ausiliarie di cui è provvisto l'elettrotensile. La perdita di controllo può causare lesioni a persone.
- Non utilizzare questo utensile per periodi prolungati. La vibrazione provocata dal funzionamento dell'utensile può essere dannosa per le mani e le braccia dell'operatore. Servirsi di guanti per fornire un supporto in più e limitare l'esposizione prendendo delle pause frequenti.

### Sicurezza altrui

- Questo elettrotensile può essere usato da bambini dagli 8 anni in su e da persone portatrici di handicap fisici, psichici o sensoriali o che non possiedono la dovuta esperienza o conoscenza, purché siano seguiti o opportunamente istruiti sull'uso sicuro e comprendano i pericoli inerenti.
- Non lasciare che i bambini giochino con l'elettrotensile. Gli interventi di pulizia e di manutenzione da parte dell'utilizzatore non devono essere eseguiti da bambini senza supervisione.

### Rischi residui

L'utilizzo dell'elettrotensile può comportare rischi residui non necessariamente riportati nelle presenti avvertenze di sicurezza. Tali rischi possono sorgere a seguito di un uso prolungato o improprio, ecc.

Malgrado il rispetto delle norme di sicurezza pertinenti e l'implementazione di dispositivi di sicurezza, alcuni rischi residui non possono essere evitati. Tali rischi includono:

- lesioni personali causate dal contatto con parti rotanti/in movimento;
- lesioni personali subite durante la sostituzione di parti, lame o accessori;
- lesioni personali causate dall'impiego prolungato di un elettrotensile (quando si utilizza qualsiasi elettrotensile per lunghi periodi, accertarsi di fare regolarmente delle pause);
- menomazioni uditive;

- rischi per la salute causati dall'aspirazione di polveri generate dall'utilizzo dell'elettrotensile (ad esempio quando si lavora con il legno, in modo particolare quello di quercia, faggio, o con l'MDF.)

5. Mandrino
6. Blocco del mandrino
7. Impugnatura laterale

### Assemblaggio

**Avvertenza!** Prima di assemblare l'elettrotensile, assicurarsi che sia spento e scollegato dalla presa di corrente.

### Montaggio dell'impugnatura laterale (fig. A)

- ◆ Ruotare il manico (7c) in senso antiorario fino a quando è possibile infilare l'impugnatura laterale (7) sulla parte anteriore dell'elettrotensile come illustrato.
- ◆ Ruotare l'impugnatura laterale nella posizione desiderata assicurandosi che le tacche (7a) si inseriscano nella ruota dentata (7b).
- ◆ Serrare l'impugnatura laterale ruotando il manico (7c) in senso orario.

**Nota:** l'impugnatura laterale può essere posizionata a seconda della preferenza personale.

### Montaggio di un accessorio (fig. B)

- ◆ Premere il blocco del mandrino (6)
- ◆ Aprire il mandrino portapunta ruotando il manicotto (5) in senso antiorario.
- ◆ Inserire il codolo della punta (8) nel mandrino.
- ◆ Serrare il mandrino portapunta ruotando il manicotto in senso orario.

### Uso

**Avvertenza!** Lasciare che l'elettrotensile funzioni al proprio ritmo. Non sovraccaricarlo.

**Avvertenza!** Prima di trapanare pareti, pavimenti o soffitti, controllare l'ubicazione di fili e tubazioni.

### Accensione e spegnimento (Fig. C)

- ◆ Per accendere l'elettrotensile, premere l'interruttore a velocità variabile (1). La velocità dell'elettrotensile dipende dalla pressione esercitata sull'interruttore.
- ◆ Per il funzionamento continuo, premere il pulsante di bloccaggio (2) e rilasciare l'interruttore a velocità variabile. Questa opzione non funziona con la rotazione indietro.
- ◆ Per spegnere l'elettrotensile, rilasciare l'interruttore di accensione a velocità variabile. Per spegnere l'elettrotensile durante il funzionamento continuo, premere ancora una volta l'interruttore a velocità variabile e rilasciarlo. Tenere sempre l'elettrotensile così come indicato in figura G.

### Selezione della direzione di rotazione (fig. D)

Per la trapanatura e per l'avvitatura usare la rotazione in avanti (senso orario). Per allentare le viti o per rimuovere punte da trapano incastrate, usare la rotazione indietro (senso antiorario).

### Vibrazione

I valori di emissione di vibrazione dichiarati, indicati al paragrafo Dati tecnici e nella Dichiarazione di conformità, sono stati misurati in base al metodo di prova standard previsto dalla normativa EN62841 e possono essere usati come parametri di confronto tra due elettrotensili. Il valore di emissione di vibrazione dichiarato può anche essere usato per una valutazione preliminare dell'esposizione.



**Avvertenza!** Il valore di emissione di vibrazione durante l'impiego effettivo dell'elettrotensile può variare da quello dichiarato a seconda delle modalità d'uso. Il livello di vibrazione può aumentare oltre quello dichiarato.

Quando si valuta l'esposizione alla vibrazione per stabilire le misure di sicurezza richieste, in conformità alla normativa 2002/44/CE destinata alla protezione delle persone che usano regolarmente elettrotensili nello svolgimento delle proprie mansioni lavorative, è necessario prendere in considerazione le condizioni effettive di utilizzo e il modo in cui l'elettrotensile viene usato, oltre che tenere conto di tutte le componenti del ciclo operativo, vale a dire i periodi in cui l'elettrotensile è spento, quelli in cui è acceso ma a riposo e quelli in cui viene effettivamente utilizzato.

### Etichette sull'elettrotensile

Sull'elettrotensile sono presenti i seguenti simboli assieme al codice data:



**Avvertenza!** Per ridurre il rischio di lesioni personali, leggere attentamente il manuale di istruzioni.



Indossare otoprotezioni quando si usano i trapani a percussione. L'esposizione al rumore può causare la perdita dell'udito.

### Sicurezza elettrica



Il doppio isolamento di cui è provvisto l'elettrotensile rende superfluo il filo di terra. Verificare sempre che l'alimentazione corrisponda alla tensione riportata sulla targhetta dei valori nominali.

- ◆ In caso di danneggiamento del cavo di alimentazione, farlo sostituire dal produttore o presso un Centro di assistenza BLACK+DECKER autorizzato, in modo da evitare pericoli.
1. Interruttore di azionamento a velocità variabile
  2. Pulsante di blocco
  3. Interruttore avanti/indietro
  4. Selettore modalità operativa

- ◆ Per selezionare la rotazione in avanti, spingere il cursore avanti/indietro (3) verso sinistra.
- ◆ Per selezionare la rotazione indietro, spingere il cursore avanti/indietro verso destra.

**Avvertenza!** Non cambiare mai la direzione di rotazione quando il motore è in funzione.

### Selezione della modalità di trapanatura (Fig. E)

- ◆ Pcalcestruzzo, regolare il selettore della modalità operativa (4) sulla posizione **T**.
- ◆ Per la trapanatura di acciaio, legno e plastica o per l'avvitatura, regolare il selettore della modalità operativa (4) sulla posizione **1**.

### Accessori

Le prestazioni dell'elettrotensile dipendono dall'accessorio usato. Gli accessori BLACK+DECKER sono stati fabbricati in base a standard qualitativi elevati e sono stati progettati per ottenere le migliori prestazioni dall'elettrotensile. Utilizzando questi accessori si otterrà il meglio dall'elettrotensile.

### Manutenzione

Questo apparecchio/elettrotensile BLACK+DECKER, con o senza filo, è stato progettato per funzionare a lungo con una manutenzione minima. Prestazioni sempre soddisfacenti dipendono da una cura appropriata e da una pulizia regolare.

**Avvertenza!** Prima di eseguire interventi di manutenzione su elettrotensili con o senza cavo procedere come descritto di seguito.

- ◆ Spegner e scollegare l'apparecchio/elettrotensile dalla presa di corrente.
- ◆ Oppure spegnere ed estrarre la batteria, se l'apparecchio/elettrotensile è dotato una batteria separata.
- ◆ Oppure lasciare scaricare completamente la batteria se è integrata nell'elettrotensile, quindi spegnerlo.
- ◆ Scollegare il caricabatterie dalla spina prima di pulirlo. Il caricabatterie non richiede alcuna manutenzione, salvo una regolare pulizia.
- ◆ Pulire regolarmente le prese di ventilazione dell'apparecchio/elettrotensile/alimentatore con un pennello o con un panno morbido e asciutto.
- ◆ Pulire regolarmente l'alloggiamento del motore con un panno umido. Non usare materiali abrasivi o detergenti a base di solventi.
- ◆ Aprire regolarmente il mandrino e batterlo leggermente per eliminare la polvere dall'interno (se montato).

### Sostituzione della spina (solo Regno Unito e Irlanda)

Se dovesse essere necessario installare una nuova spina:

- ◆ smaltire in sicurezza quella vecchia;
- ◆ collegare il filo marrone al morsetto sotto tensione della nuova spina;

- ◆ collegare il filo blu al morsetto neutro.

**Avvertenza!** Non effettuare alcun collegamento al terminale di messa a terra. Seguire le istruzioni di montaggio fornite con le spine di buona qualità. Fusibile raccomandato: 5 A.

### Tutela ambientale

Raccolta differenziata. I prodotti e le batterie contrassegnati con questo simbolo non devono essere smaltiti con i rifiuti domestici normali. Prodotti e batterie contengono materiali che possono essere recuperati o riciclati, riducendo la domanda di materie prime.

Riciclare i prodotti elettrici e le batterie attenendosi alle disposizioni locali vigenti.

Ulteriori informazioni sono disponibili all'indirizzo [www.2helpU.com](http://www.2helpU.com).

### Dati tecnici

		BEH550	BEH710
Potenza nominale	$V_{CA}$	550	710
Velocità a vuoto	$\text{min}^{-1}$	0 ~ 2800	0 ~ 2800
Forza di percussione	$\text{min}^{-1}$	0 ~ 47600	0 ~ 47600
Peso	kg	1,7	1,76
<b>Capacità di perforazione max.</b>			
Calcestruzzo	mm	13	13
Acciaio	mm	13	13
Legno	mm	25	25

#### BEH550 Livello di pressione sonora misurato in base a EN 62841:

Pressione sonora ( $L_{pA}$ ) 93,5 dB(A), incertezza (K) 5 dB(A)

Potenza acustica ( $L_{WA}$ ) 104,5 dB(A), incertezza (K) 5 dB(A)

#### BEH710 Livello di pressione sonora misurato in base a EN 62841:

Pressione sonora ( $L_{pA}$ ) 95,5 dB(A), incertezza (K) 5 dB(A)

Potenza acustica ( $L_{WA}$ ) 106,5 dB(A), incertezza (K) 5 dB(A)

#### BEH550 Valori totali vibrazioni (somma vettoriale triassiale) in base a EN 62841:

Trapanatura a percussione nel calcestruzzo ( $a_{h,1D}$ ) 14,8  $\text{m/s}^2$ , incertezza (K) 1,5  $\text{m/s}^2$

Perforazione di metallo ( $a_{h,D}$ ) 1,8  $\text{m/s}^2$ , incertezza (K) 1,5  $\text{m/s}^2$

#### BEH710 Valori di emissione totali di vibrazioni (somma vettoriale triassiale) in conformità alla norma EN 62841:

Trapanatura a percussione nel calcestruzzo ( $a_{h,1D}$ ) 16,2  $\text{m/s}^2$ , incertezza (K) 1,5  $\text{m/s}^2$

Perforazione di metallo ( $a_{h,D}$ ) 1,9  $\text{m/s}^2$ , incertezza (K) 1,5  $\text{m/s}^2$

### Dichiarazione di conformità CE

DIRETTIVA MACCHINE



Trapano a percussione BEH550, BEH710

Black & Decker dichiara che i prodotti descritti nella sezione "Dati tecnici" sono conformi alle seguenti norme: EN62841-1:2015, EN 62841-2-1:2018+A11:2019. Questi prodotti sono conformi alle Direttive 2006/42/CE, 2014/30/UE e 2011/65/UE. Per ulteriori informazioni, contattare Black & Decker al seguente indirizzo oppure consultare l'ultima di copertina del manuale.

Il sottoscritto è responsabile della redazione del presente documento tecnico e rilascia questa dichiarazione per conto di Black & Decker.



Ed Higgins

Direttore – Consumer Power Tools  
Black & Decker Europe, 270 Bath Road, Slough,  
Berkshire, SL1 4DX  
Regno Unito  
30/06/2020

## Garanzia

Black & Decker è certa della qualità dei propri prodotti e offre ai consumatori una garanzia di 24 mesi dalla data di acquisto. Il presente certificato di garanzia è complementare ai diritti legali e non li pregiudica in alcun modo. La garanzia è valida nei territori degli Stati membri dell'Unione Europea o dell'EFTA (Associazione europea di libero scambio).

Per attivare la garanzia, la richiesta di intervento e riparazione in garanzia deve essere effettuata in accordo con i Termini e condizioni Black&Decker e sarà necessario presentare la prova di acquisto al venditore o all'agente di riparazione autorizzato. I Termini e condizioni della garanzia Black&Decker di 2 anni e la sede dell'agente di riparazione autorizzato più vicino sono consultabili su Internet all'indirizzo [www.2helpU.com](http://www.2helpU.com) oppure è possibile contattare l'ufficio Black & Decker di zona all'indirizzo indicato in questo manuale.

Visitare il nostro sito [www.blackanddecker.it](http://www.blackanddecker.it) per registrare il prodotto Black&Decker appena acquistato e ricevere gli aggiornamenti su nuovi prodotti e offerte speciali.

## Bedoeld gebruik

De BLACK+DECKER-slagboormachines van het type BEH550, BEH710 zijn ontworpen voor het boren in hout, metaal, kunststof en metselwerk, maar kan ook worden gebruikt als schroevendraaier. Dit gereedschap is uitsluitend bestemd voor consumentengebruik.

## Veiligheidsinstructies

### Algemene veiligheidswaarschuwingen voor elektrisch gereedschap



**Waarschuwing! Lees alle veiligheidswaarschuwingen, instructies, illustraties en specificaties die bij dit gereedschap zijn meegeleverd.** Het niet opvolgen van alle onderstaande instructies kan leiden tot een elektrische schok, brand en/of ernstig persoonlijk letsel.

**Bewaar alle waarschuwingen en instructies als referentiemateriaal.** De hierna gebruikte term 'elektrisch gereedschap' in alle waarschuwingen die hieronder worden vermeld, heeft betrekking op elektrisch gereedschap voor gebruik op netspanning (met netsnoer) of met een accu (snoerloos).

#### 1. Veilige werkomgeving

- a. **Houd het werkgebied schoon en goed verlicht.** Op rommelige of donkere plekken zullen sneller ongelukken gebeuren.
- b. **Gebruik elektrisch gereedschap niet in een omgeving met explosiegevaar, zoals in de nabijheid van brandbare vloeistoffen, gassen of stof.** Elektrisch gereedschap veroorzaakt vonken die het stof of de dampen kunnen doen ontbranden.
- c. **Houd kinderen en andere personen tijdens het gebruik van elektrisch gereedschap uit de buurt.** Als u wordt afgeleid, kunt u de controle over het gereedschap verliezen.

#### 2. Elektrische veiligheid

- a. **De netstekker van het gereedschap moet in het stopcontact passen. Pas de stekker nooit op enige manier aan. Gebruik geen adapterstekkers in combinatie met geaard elektrisch gereedschap.** Niet-aangepaste stekkers en passende contactdozen verminderen het risico van een elektrische schok.
- b. **Vermijd aanraking van het lichaam met geaarde oppervlakken, bijvoorbeeld buizen, verwarmingen, fornuizen en koelkasten.** Er bestaat een verhoogd risico van een elektrische schok als uw lichaam contact heeft met aarde.

- c. **Houd het gereedschap uit de buurt van regen en vocht.** Als er water in elektrisch gereedschap binnendringt, verhoogt dit het risico van een elektrische schok.
  - d. **Gebruik het snoer niet voor een verkeerd doel. Gebruik het snoer nooit om het elektrisch gereedschap te dragen of naar u toe te trekken, of de stekker uit het stopcontact te halen.** Houd het snoer uit de buurt van warmtebronnen, olie, scherpe randen, of bewegende onderdelen. Beschadigde snoeren of snoeren die in de war zijn geraakt, verhogen het risico van een elektrische schok.
  - e. **Gebruik, wanneer u buitenshuis met elektrisch gereedschap werkt, alleen verlengsnoeren die zijn goedgekeurd voor gebruik buitenshuis.** Het gebruik van een verlengsnoer dat geschikt is voor binnen vermindert het risico van een elektrische schok.
  - f. **Gebruik, als u elektrisch gereedschap moet gebruiken op een vochtige locatie, een voeding die is beveiligd met een aardlekschakelaar.** Het gebruik van een aardlekschakelaar vermindert het risico van een elektrische schok.
- 3. Persoonlijke veiligheid**
- a. **Blijf alert, let goed op wat u doet en ga met verstand te werk bij het gebruik van elektrisch gereedschap. Gebruik elektrisch gereedschap niet als u vermoeid bent of onder de invloed van drugs, alcohol of medicatie bent.** Een moment van onoplettendheid tijdens het werken met elektrisch gereedschap kan leiden tot ernstig persoonlijk letsel.
  - b. **Draag persoonlijke beschermende kleding. Draag altijd oogbescherming.** Beschermende uitrusting, zoals een stofmasker, anti-slip veiligheidsschoenen, een helm, of gehoorbescherming, gebruikt in de juiste omstandigheden, zal het risico op persoonlijk letsel verminderen.
  - c. **Voorkom dat het gereedschap onbedoeld kan worden ingeschakeld. Controleer dat de schakelaar in de uit-stand staat en breng vervolgens pas de aansluiting met de stroombron en/of accu tot stand, of pak vervolgens pas het gereedschap op of draag het ergens heen.** Het dragen van elektrisch gereedschap met uw vinger op de schakelaar of het aanzetten van elektrisch gereedschap waarvan de schakelaar aan staat, kan leiden tot ongelukken.
  - d. **Verwijder alle stelsleutels of steeksleutels voor u het elektrische gereedschap aan zet.** Een steeksleutel of een inbussleutel in een draaiend deel van het elektrisch gereedschap kan tot persoonlijk letsel leiden.
  - e. **Reik niet buiten uw macht. Blijf altijd stevig en in balans op de grond staan.** Dit geeft u betere controle over het elektrisch gereedschap in onverwachte situaties.
  - f. **Draag de juiste kleding. Draag geen loszittende kleding of sieraden. Houd uw haar, kleding en handschoenen uit de buurt van bewegende onderdelen.** Loszittende kleding, sieraden of lang haar kunnen door bewegende delen worden gegrepen.
  - g. **Controleer dat, wanneer hulpstukken voor stofafzuiging en stofopvang kunnen worden gemonteerd, deze goed zijn aangesloten en op juiste wijze worden gebruikt.** Het gebruik van stofafzuiging kan aan stof gerelateerde gevaren verminderen.
  - h. **Word niet gemakzuchtig doordat u door veelvuldig gebruik vertrouwd bent geraakt met het gereedschap, en verlies niet de veiligheidsbeginselen voor het gereedschap uit het oog. Een onvoorzichtige handeling kan in een fractie van een seconde ernstig letsel tot gevolg hebben.**
- 4. Gebruik en onderhoud van elektrisch gereedschap**
- a. **Oefen niet te veel kracht uit op het elektrisch gereedschap. Gebruik het juiste elektrisch gereedschap voor uw toepassing.** Met het juiste elektrisch gereedschap kunt u de werkzaamheden waarvoor het gereedschap is ontworpen, beter en veiliger uitvoeren.
  - b. **Gebruik geen elektrisch gereedschap waarvan de schakelaar defect is.** Ieder elektrisch gereedschap dat niet met de schakelaar kan worden bediend, is gevaarlijk en moet worden gerepareerd.
  - c. **Haal de stekker uit het stopcontact en/of neem de accu uit het gereedschap voor u aanpassingen uitvoert, accessoires wisselt of het gereedschap opbergt.** Dergelijke preventieve veiligheidsmaatregelen verminderen het risico dat het elektrisch gereedschap per ongeluk wordt gestart.
  - d. **Bewaar niet-gebruikte elektrische gereedschappen buiten bereik van kinderen. Laat het gereedschap niet gebruiken door personen die er niet vertrouwd mee zijn en deze aanwijzingen niet hebben gelezen.** Elektrisch gereedschap is gevaarlijk in handen van ongetrainde gebruikers.
  - e. **Onderhoud elektrisch gereedschap en accessoires goed. Controleer dat bewegende delen van het elektrisch gereedschap wel goed functioneren en niet klemmen, en dat er niet onderdelen zodanig zijn gebroken of beschadigd dat de werking van het gereedschap nadelig wordt beïnvloed. Laat het gereedschap voor gebruik repareren als het beschadigd is.** Veel ongelukken worden veroorzaakt door slecht onderhouden elektrisch gereedschap.
  - f. **Houd gereedschap voor maaien en zagen scherp en schoon.** Goed onderhouden zaaggereedschap met scherpe snijvlakken loopt minder snel vast en is gemakkelijker onder controle te houden.



- g. **Gebruik elektrisch gereedschap, accessoires, hulpstukken en dergelijke volgens deze aanwijzingen. Let daarbij op de arbeidsomstandigheden en de uit te voeren werkzaamheden.** Gebruik van het elektrisch gereedschap voor werkzaamheden die anders zijn dan bedoeld, kan leiden tot een gevaarlijke situatie.
  - h. **Houd de handgrepen droog, schoon en vrij van olie en vet. Gladde handgrepen en greepoppervlakken maken het moeilijk het gereedschap veilig te hanteren en onder controle te houden in onverwachte situaties.**
5. **Service**
- a. **Laat het gereedschap alleen repareren door gekwalificeerd en vakkundig personeel en alleen met originele vervangingsonderdelen.** De veiligheid van het gereedschap blijft dan behouden.

### Veiligheidsvoorschriften voor alle handelingen

- **Draag gehoorbescherming wanneer u de boorhamer gebruikt.** Blootstelling aan lawaai kan gehoorverlies veroorzaken.
- **Gebruik de hulphandgreep/hulphandgrepen.** Verlies van controle kan leiden tot persoonlijk letsel.
- **Pak het gereedschap goed vast wanneer u het gaat gebruiken.** Dit gereedschap produceert een krachtig koppel en wanneer u het gereedschap niet stevig vast heeft tijdens de werkzaamheden, kunt u de controle verliezen en dat kan persoonlijk letsel tot gevolg hebben.
- **Houd het elektrisch gereedschap vast aan de geïsoleerde greepoppervlakken, wanneer u werkzaamheden uitvoert waarbij de boorbit in aanraking kan komen met verborgen bedrading of het eigen snoer.** Accessoires van elektrisch gereedschap die in contact komen met bedrading waar spanning op staat, kunnen metalen onderdelen van het gereedschap onder stroom zetten en de gebruiker een elektrische schok geven.

### Veiligheidsinstructies wanneer u lange boren gebruikt

- **Werk nooit op een hogere snelheid dan de maximale nominale snelheid op de boor-bit.** Bij hogere snelheden zal de boor misschien doorbuigen als deze vrij kan draaien zonder contact met het werkstuk, wat persoonlijk letsel tot gevolg heeft.
- **Begin altijd met woorden op een lagere snelheid met de boor-bit in contact met het werkstuk.** Bij hogere snelheden zal de boor misschien doorbuigen als deze vrij kan draaien zonder contact met het werkstuk, wat persoonlijk letsel tot gevolg heeft.

- **Oefen alleen in een directe lijn met het boortje druk uit en oefen niet al te veel druk uit.** Bits kunnen doorbuigen waardoor de bit kan breken of de gebruiker de controle kan verliezen, wat persoonlijk letsel tot gevolg heeft.

### Aanvullende veiligheidsvoorschriften voor boormachine/schroevendraaier/hamerboor

- Zet het werkstuk met klemmen of op een andere praktische manier vast en ondersteun het op een stabiele ondergrond. Wanneer u het werkstuk vasthoudt met de hand of tegen uw lichaam gedrukt houdt, is het instabiel en kunt u de controle verliezen.
- Accessoires en het gereedschap kunnen tijdens het werken heet worden. Draag wanneer u ze hanteert handschoenen als u toepassingen uitvoert waarbij warmte vrijkomt, zoals werken met de hamerboor en het boren in metaal.
- Ventilatieopeningen bedekken vaak bewegende onderdelen en kunnen beter niet worden aangeraakt. Loszittende kleding, sieraden of lang haar kunnen door bewegende delen worden gegrepen.
- Draag een veiligheidsbril of andere bescherming van uw ogen. Tijdens het werken met de boor of hamerboor kunnen er kleine stukjes materiaal in het rond vliegen. Vliegende deeltjes kunnen permanente beschadiging van de ogen veroorzaken.
- Draag gehoorbescherming wanneer u de boorhamer gebruikt. Blootstelling aan lawaai kan gehoorverlies veroorzaken.
- Gebruik de hulphandgreep/hulphandgrepen als die bij het gereedschap wordt/worden geleverd. Verlies van controle kan leiden tot persoonlijk letsel.
- Werk niet lange tijd achtereen met dit gereedschap. Trilling die wordt veroorzaakt door de werking van het gereedschap kunnen schadelijk zijn voor uw handen en armen. Draag handschoenen zodat de trillingen worden opgevangen en beperk de blootstelling door regelmatig rustperiodes in te lassen.

### Veiligheid van anderen

- Dit gereedschap mag worden gebruikt door kinderen van 8 jaar en ouder en personen die lichamelijk of geestelijk minder valide zijn of die geen ervaring met of kennis van dit gereedschap hebben, mits zij onder toezicht staan of instructies krijgen voor een veilige manier van gebruiken van het gereedschap en begrijpen welke gevaren het gebruik met zich meebrengt.
- Kinderen mogen niet met het apparaat spelen. Laat kinderen nooit zonder toezicht het gereedschap schoonmaken of onderhouden.

## Overige risico's

Er kunnen zich bij het gebruik van dit gereedschap nog meer risico's voordoen, die mogelijk niet in de bijgesloten veiligheidswaarschuwingen worden beschreven. Deze risico's kunnen zich voordoen door onoordeelkundig gebruik, langdurig gebruik, enz.

Zelfs wanneer de veiligheidsvoorschriften in acht worden genomen en de veiligheidsvoorzieningen worden gebruikt, kunnen bepaalde risico's niet worden uitgesloten. Dit zijn onder meer:

- Verwondingen die worden veroorzaakt door het aanraken van draaiende of bewegende onderdelen.
- Verwondingen die worden veroorzaakt bij het vervangen van onderdelen, bladen of accessoires.
- Letsel dat wordt veroorzaakt door langdurig gebruik van gereedschap. Wanneer u langere periodes met gereedschap werkt, kunt u het beste regelmatig een pauze nemen.
- Gehoorbeschadiging.
- Gezondheidsrisico's door het inademen van stof dat vrijkomt tijdens het gebruik van het gereedschap (bijvoorbeeld: het werken met hout, met name eiken, beuken en MDF).

## Trillingen

De aangegeven waarden voor trillingsemissie in de technische gegevens en de conformiteitsverklaring, zijn gemeten conform een standaardtestmethode die door EN62841 wordt verstrekt. Hiermee kan het ene gereedschap met het andere worden vergeleken. De aangegeven waarde voor trillingsemissie kan ook worden gebruikt bij een voorlopige bepaling van blootstelling.



**Waarschuwing!** De waarde voor trillingsemissie tijdens het werkelijke gebruik van het elektrisch gereedschap kan verschillen van de aangegeven waarde afhankelijk van de manieren waarop het gereedschap wordt gebruikt. Het trillingsniveau kan toenemen tot boven het aangegeven niveau.

Bij beoordeling van de blootstelling aan trillingen met het doel vast te stellen welke veiligheidsmaatregelen 2002/44/EG vereist ter bescherming van personen die tijdens hun werk regelmatig elektrisch gereedschap gebruiken, moet bij een inschatting van de blootstelling aan trillingen rekening worden gehouden met de werkelijke gebruiksomstandigheden en de manier waarop het gereedschap wordt gebruikt. Daarbij moet ook rekening worden gehouden met alle onderdelen van de bedrijfscyclus, zoals wanneer het gereedschap wordt uitgeschakeld en wanneer het gereedschap stationair loopt en ook de aanlooptijd.

## Etiketten op het gereedschap

Naast de datumcode is het gereedschap voorzien van de volgende symbolen:



**Waarschuwing!** De gebruiker moet de instructiehandleiding lezen zodat het risico van letsel wordt beperkt.



Draag gehoorbeschermers bij het werken met slagboormachines. Blootstelling aan lawaai kan gehoorverlies veroorzaken

## Elektrische veiligheid



Dit gereedschap is dubbel geïsoleerd, daarom is een aardeaansluiting niet vereist. Controleer altijd dat de stroomvoorziening overeenkomt met de voltage op het typeplaatje.

- ◆ Als het netsnoer is beschadigd, moet het worden vervangen door de fabrikant of een geautoriseerd BLACK+DECKER-servicecentrum zodat gevaarlijke situaties worden voorkomen.
  1. Variabele-snelheidsschakelaar
  2. Knop voor vergrendeling in de Aan-stand
  3. Schakelaar voor vooruit/achteruit
  4. Selectieschakelaar voor boorstand
  5. Spankop
  6. Spankopvergrendeling
  7. Zijhandgreep

## Montage

**Waarschuwing!** Controleer, voor montage, dat het gereedschap is uitgeschakeld en de stekker uit het stopcontact is getrokken.

## Bevestigen van de zijhandgreep (afb. A)

- ◆ Draai de knop (7c) naar rechts tot u de zijhandgreep (7) op de voorzijde van het gereedschap kunt schuiven, zoals wordt getoond.
- ◆ Draai de zijhandgreep in de gewenste positie en let er daarbij op dat de nokken (7a) ingrijpen in de vertanding (7b).
- ◆ Zet de zijhandgreep vast door de knop (7c) naar rechts te draaien.

**NB:** U kunt de zijhandgreep plaatsen, afhankelijk van uw persoonlijke voorkeur.

## Een hulpstuk bevestigen (afb. B)

- ◆ Druk de vergrendeling (6) van de spankop in
- ◆ Open de spankop door de kraag (5) naar links te draaien.
- ◆ Plaats de bitschacht (8) in de spankop.
- ◆ Draai de spankop vast door de kraag naar rechts te draaien.

## Gebruik

**Waarschuwing!** Laat het gereedschap op z'n eigen snelheid werken. Overbelast het gereedschap niet.

**Waarschuwing!** Controleer waar zich bedrading en leidingen bevinden voordat u in muren, vloeren of plafonds boort.

### In- en uitschakelen (afb. C)

- ◆ Schakel het gereedschap in door op de schakelaar (1) voor variabele snelheid te drukken. De snelheid van het gereedschap hangt af van hoe ver u de schakelaar indrukt.
- ◆ Activeer de stand voor de ononderbroken werking door de knop (2) voor vergrendeling in de Aan-stand in te drukken en de schakelaar voor variabele snelheid los te laten. Deze optie werkt niet bij achterwaartse rotatie.
- ◆ U schakelt het gereedschap uit door de schakelaar voor de variabele snelheid los te laten. U kunt het gereedschap wanneer het ononderbroken werkt uitschakelen door weer op de schakelaar voor variabele snelheid te trekken en deze vervolgens los te laten. Houd het gereedschap altijd vast zoals in afbeelding G wordt getoond.

### De draairichting selecteren (afb. D)

Voor boren en het vastdraaien van schroeven, gebruikt u de voorwaartse draairichting (rechtsom). Gebruik voor het losdraaien van schroeven of het losmaken van een vastgelopen boorbit de tegengestelde draairichting (linksom).

- ◆ Duw, als u vooruit draaien wilt selecteren, de schuifknop voor vooruit/achteruit (3) naar links.
- ◆ Duw, als u achteruit draaien wilt selecteren, de schuifknop voor vooruit/achteruit naar rechts.

**Waarschuwing!** Verander de draairichting nooit terwijl de motor loopt.

### De boorstand selecteren (afb. E)

- ◆ Zet voor gebruik als hamerboor in metselwerk of beton, de selectieknop (4) in de positie **T**.
- ◆ Zet voor boren in staal, hout of kunststof voor gebruik als schroevendraaier de selectieschakelaar (4) voor de bedrijfsstand in de stand **1**.

### Accessoires

De prestaties van het gereedschap zijn afhankelijk van de gebruikte accessoires. Accessoires van BLACK+DECKER zijn ontworpen om aan hoge kwaliteitsnormen te voldoen en de prestaties van uw gereedschap te verhogen. Door deze accessoires te gebruiken kunt u uw gereedschap nog beter laten presteren.

### Onderhoud

Uw BLACK+DECKER-apparaat/-gereedschap (met netsnoer/snoerloos) is ontworpen om gedurende lange tijd te functioneren met een minimum aan onderhoud. Het continu naar tevredenheid functioneren hangt af van de juiste zorg voor het gereedschap en regelmatig schoonmaken.

**Waarschuwing!** Ga als volgt te werk voor u onderhoud aan elektrisch gereedschap met of zonder snoer uitvoert:

- ◆ Schakel het gereedschap/apparaat uit en trek de stekker uit het stopcontact.
- ◆ Of schakel het gereedschap/apparaat als het een afzonderlijke accu heeft, uit en neem de accu uit.
- ◆ Of laat de accu volledig ontladen, als de accu is ingebouwd en schakel het gereedschap uit.
- ◆ Trek de stekker van de lader uit het stopcontact voor u de lader schoonmaakt. Behalve regelmatige reiniging vraagt de lader geen onderhoud.
- ◆ Reinig regelmatig de ventilatieopeningen van het gereedschap/apparaat/lader met een zachte borstel of droge doek.
- ◆ Reinig de behuizing van de motor regelmatig met een vochtige doek. Gebruik niet een schurend schoonmaakmiddel of een schoonmaakmiddel op basis van een oplosmiddel.
- ◆ Open regelmatig de spankop, tik erop en verwijder zo eventueel stof uit het binnenste (indien van toepassing).

### Netstekker vervangen (alleen VK en Ierland)

Als er een nieuwe netstekker moet worden gemonteerd:

- ◆ Gooi de oude stekker op verantwoorde wijze weg.
- ◆ Sluit de bruine draad aan op de spanningvoerende pool in de nieuwe stekker.
- ◆ Sluit de blauwe draad op de niet-spanningvoerende pool.

**Waarschuwing!** Er moet geen verbinding tot stand worden gebracht met de aardeaansluiting. Volg de montage-instructies die bij stekkers van goede kwaliteit worden geleverd. Aanbevolen zekering: 5 A.

### Het milieu beschermen

Gescheiden afvalinzameling. Producten en accu's waarop dit symbool is aangebracht, mogen niet bij het normale huishoudafval worden weggegooid. Producten en accu's bevatten materialen die kunnen worden teruggewonnen of gerecycled en dat doet de vraag naar grondstoffen afnemen. Recycle elektrische producten en accu's volgens de ter plaatse geldende bepalingen. Nadere informatie is beschikbaar op [www.2helpU.com](http://www.2helpU.com)

### Technische gegevens

		BEH550	BEH710
Nominaal vermogen	V <sub>AC</sub>	550	710
Snelheid onbelast	min <sup>-1</sup>	0 ~ 2800	0 ~ 2800
Slagfrequentie	min <sup>-1</sup>	0 ~ 47600	0 ~ 47600
Gewicht	kg	1,7	1,76
<b>Max. boorcapaciteit</b>			
Beton	mm	13	13
Staal	mm	13	13

Hout	mm	25	25
<b>BEH550 Geluidsdrukniveau volgens EN 62841:</b>			
Geluidsdruk ( $L_{pA}$ ) 93,5 dB(A), meetonzekerheid (K) 5 dB(A)			
Geluidsvermogen ( $L_{WA}$ ) 104,5 dB(A), meetonzekerheid (K) 5 dB(A)			
<b>BEH710 Geluidsdrukniveau volgens EN 62841:</b>			
Geluidsdruk ( $L_{pA}$ ) 95,5 dB(A), meetonzekerheid (K) 5 dB(A)			
Geluidsvermogen ( $L_{WA}$ ) 106,5 dB(A), meetonzekerheid (K) 5 dB(A)			
<b>BEH550 Totale trillingswaarden (som triaxvector) volgens EN 62841:</b>			
Met slagboor in beton boren ( $a_{h, 1D}$ ) 14,8 $m/s^2$ , meetonzekerheid (K) 1,5 $m/s^2$			
In metaal boren ( $a_{h, D}$ ) 1,8 $m/s^2$ , meetonzekerheid (K) 1,5 $m/s^2$			
<b>BEH710 Totale trillingswaarden (som triaxvector) volgens EN 62841:</b>			
Met slagboor in beton boren ( $a_{h, 1D}$ ) 16,2 $m/s^2$ , meetonzekerheid (K) 1,5 $m/s^2$			
In metaal boren ( $a_{h, D}$ ) 1,9 $m/s^2$ , meetonzekerheid (K) 1,5 $m/s^2$			

## EG Conformiteitsverklaring

RICHTLIJN VOOR MACHINES



BEH550, BEH710 slagboormachine

Black & Decker verklaart dat de producten die worden beschreven onder "technische gegevens", voldoen aan: EN62841-1:2015, EN 62841-2-1:2018+A11:2019.

Deze producten voldoen ook aan Richtlijn 2006/42/EG, 2014/30/EU en 2011/65/EU. Neem voor meer informatie contact op met Black & Decker op het volgende adres of raadpleeg de achterzijde van de handleiding.

Ondergetekende is verantwoordelijk voor de samenstelling van het technische bestand en legt deze verklaring af namens Black & Decker.

Ed Higgins

Director – Consumer Power Tools  
 Black & Decker Europe, 270 Bath Road, Slough,  
 Berkshire, SL1 4DX  
 Verenigd Koninkrijk  
 30-6-2020

De garantie is geldig op het grondgebied van de Lidstaten van de Europese Unie en de Europese Vrijhandelszone.

Voor een garantie-aanspraak moet uw aanspraak in overeenstemming zijn met de Voorwaarden en Condities van Black & Decker en moet u een bewijs van aankoop overleggen aan de verkoper of aan een geautoriseerde reparatiemonteur. Voorwaarden en condities van de 2-jarige garantie van Black & Decker en het adres van de vestiging van het geautoriseerde reparatiecentrum bij u in de buurt, kunt u vinden op internet op [www.2helpU.com](http://www.2helpU.com), of door contact op te nemen met het Black & Decker-kantoor ter plaatse, op het adres dat in deze handleiding wordt vermeld.

Bezoek onze website [www.blackanddecker.nl](http://www.blackanddecker.nl), waar u uw nieuwe Black & Decker-product kunt registreren en het laatste nieuws vindt over nieuwe producten en speciale aanbiedingen.

## Garantie

Black & Decker heeft vertrouwen in zijn producten en biedt consumenten een garantie van 24 maanden vanaf de aankoopdatum. Deze garantie vormt een aanvulling op uw wettelijke rechten en beperken deze niet.

## Uso previsto

El taladro percutor BLACK+DECKER BEH550, BEH710 ha sido diseñado para taladrar madera, metal, plásticos y mampostería, así como para atornillar. Esta herramienta ha sido concebida únicamente para uso doméstico.

## Instrucciones de seguridad

### Advertencias de seguridad para herramientas eléctricas en general



¡Advertencia! Lea todas las advertencias de seguridad, instrucciones, ilustraciones y especificaciones suministradas con esta herramienta eléctrica. El incumplimiento de las instrucciones que se indican a continuación puede causar descargas eléctricas, incendios y/o lesiones graves.

Guarde todas las advertencias e instrucciones para futuras consultas. El término "herramienta eléctrica" empleado en las advertencias indicadas a continuación se refiere a la herramienta eléctrica con alimentación de red (con cable) o alimentada por batería (sin cable).

#### 1. Seguridad del área de trabajo

- a. **Mantenga su área de trabajo limpia y bien iluminada.** Las áreas en desorden u oscuras pueden provocar accidentes.
- b. **No utilice la herramienta eléctrica en un entorno con peligro de explosión, en el que se encuentren líquidos, gases o material en polvo inflamables.** Las herramientas eléctricas originan chispas que pueden inflamar el polvo o los gases.
- c. **Cuando utilice una herramienta eléctrica, mantenga alejados a los niños y a otras personas del área de trabajo.** Las distracciones pueden causar la pérdida del control de la herramienta.

#### 2. Seguridad eléctrica

- a. **El enchufe de la herramienta eléctrica debe corresponder a la toma de corriente utilizada. No modifique nunca el enchufe de ninguna forma. No utilice ningún enchufe adaptador con las herramientas eléctricas conectadas a tierra (puestas a masa).** Los enchufes no modificados y las tomas de corriente compatibles reducen el riesgo de descarga eléctrica.
- b. **Evite el contacto corporal con superficies conectadas a tierra o puestas a masa tales como tuberías, radiadores, cocinas y neveras.** Existe un mayor riesgo de descarga eléctrica si su cuerpo está conectado a tierra o puesto a masa.

- c. **No exponga la herramienta eléctrica a la lluvia o a condiciones de humedad.** Si entra agua en una herramienta eléctrica, aumenta el riesgo de descarga eléctrica.
- d. **Cuide el cable de alimentación. No use nunca el cable para transportar, tirar de la herramienta eléctrica o desenchufarla.** Mantenga el cable alejado del calor, aceite, bordes afilados y piezas en movimiento. Los cables dañados o enredados aumentan el riesgo de descarga eléctrica.
- e. **Si trabaja con la herramienta eléctrica en el exterior, utilice solamente cables de prolongación homologados para uso en exteriores.** La utilización de un cable adecuado para uso en exteriores reduce el riesgo de descarga eléctrica.
- f. **Si la utilización de una herramienta eléctrica en un lugar húmedo es inevitable, utilice una fuente protegida con un dispositivo diferencia residual (DDR).** El uso de un DDR reduce el riesgo de descarga eléctrica.

#### 3. Seguridad personal

- a. **Esté atento a lo que hace y utilice la herramienta eléctrica con prudencia. No maneje una herramienta eléctrica cuando esté cansado o bajo los efectos de drogas, medicamentos o alcohol.** Un momento de desatención cuando se manejan herramientas eléctricas puede ocasionar lesiones personales graves.
- b. **Utilice equipo de seguridad personal. Utilice siempre protección ocular.** El uso de equipo de protección como mascarillas antipolvo, calzado antideslizante, casco de seguridad o protección auditiva para las condiciones apropiadas reduce las lesiones personales.
- c. **Impida que la herramienta se ponga en marcha accidentalmente. Asegúrese de que el interruptor se encuentre en la posición de apagado antes de conectar la herramienta a la fuente de alimentación o a la batería, o de coger o transportar la herramienta.** Transportar herramientas eléctricas con el dedo puesto en el interruptor o herramientas eléctricas activadoras que tengan el interruptor encendido puede provocar accidentes.
- d. **Saque las llaves de ajuste o llaves inglesas antes de encender la herramienta eléctrica.** Dejar una llave inglesa u otra llave puesta en una pieza giratoria de la herramienta eléctrica puede ocasionar lesiones personales.
- e. **No se estire demasiado. Mantenga un equilibrio adecuado y la estabilidad constantemente.** Esto permite un mejor control de la herramienta eléctrica en situaciones inesperadas.

- f. **Use la vestimenta adecuada. No se ponga ropa suelta o joyas. Mantenga el cabello, la ropa y los guantes alejados de las piezas en movimiento.** La ropa suelta, las joyas y el pelo largo pueden quedar atrapados en las piezas móviles.
- g. **Siempre que sea posible utilizar equipos de aspiración o captación de polvo, asegúrese de que estos estén conectados y que se utilicen correctamente.** El uso de equipo de recogida de polvo puede reducir los riesgos relacionados con el polvo.
- h. **Evite que la familiaridad adquirida con el uso frecuente de las herramientas le haga confiarse demasiado e ignorar las principales normas de seguridad de las herramientas. Una utilización descuidada puede provocar lesiones graves en cuestión de segundos.**
- 4. Uso y cuidado de herramientas eléctricas**
- a. **No sobrecargue la herramienta eléctrica. Use la herramienta eléctrica correcta para su trabajo.** La herramienta eléctrica correcta funcionará mejor y con mayor seguridad si se utiliza de acuerdo con sus características técnicas.
- b. **No utilice la herramienta eléctrica si tiene el interruptor defectuoso.** Toda herramienta eléctrica que no pueda controlarse con el interruptor es peligrosa y debe ser reparada.
- c. **Desconecte el enchufe de la fuente de alimentación y/o saque la batería de la herramienta, si es extraíble, antes de realizar cualquier ajuste, cambiar accesorios o guardar las herramientas eléctricas.** Tales medidas de seguridad preventivas reducen el riesgo de poner en marcha la herramienta eléctrica accidentalmente.
- d. **Guarde la herramienta eléctrica fuera del alcance de los niños y de las personas que no estén familiarizadas con su uso ni con estas instrucciones.** Las herramientas eléctricas son peligrosas en manos de personas no capacitadas.
- e. **Realice el mantenimiento de las herramientas eléctricas y sus accesorios. Compruebe que las piezas móviles no estén desalineadas ni atascadas, que no haya piezas rotas y cualquier otra condición que pudiera afectar al funcionamiento de la herramienta eléctrica. Si la herramienta eléctrica está dañada, llévela para que sea reparada antes de utilizarla.** Muchos accidentes se producen por el mantenimiento inadecuado de las herramientas eléctricas.
- f. **Mantenga las herramientas de corte limpias y afiladas.** Las herramientas de corte con bordes afilados y correctamente mantenidas tienen menos probabilidad de bloquearse y son más fáciles de controlar.
- g. **Utilice la herramienta eléctrica, los accesorios, los utensilios de la herramienta, etc. de acuerdo con estas instrucciones, y tenga en cuenta las condiciones de trabajo y la tarea a realizar.** El uso de la herramienta eléctrica para operaciones que no sean las previstas puede ocasionar una situación peligrosa.
- h. **Mantenga las empuñaduras y las superficies de agarre secas, limpias y libres de aceite y grasa. Las empuñaduras resbaladizas y las superficies engrasadas impiden aferrar y controlar la herramienta en situaciones imprevistas.**
- 5. Reparaciones**
- a. **Haga reparar su herramienta eléctrica solo por personal técnico autorizado que emplee exclusivamente piezas de repuesto originales.** Así se asegurará que se mantenga la seguridad de la herramienta eléctrica.

**Instrucciones de seguridad para todas las operaciones**

- **Lleve protección acústica al realizar operaciones de perforación de impacto.** La exposición al ruido puede provocar pérdida de audición.
- **Uso de la o las empuñaduras auxiliares.** La pérdida de control puede provocar lesiones personales.
- **Agarre bien la herramienta correctamente antes de usarla.** Esta herramienta produce un alto par de salida y, si no se apuntala correctamente durante el funcionamiento, puede perder el control y provocar lesiones personales.
- **Sujete la herramienta eléctrica por la superficie de agarre aislada cuando realice una operación en la que el accesorio de corte pueda entrar en contacto con un cableado oculto o con su propio cable.** El contacto de los accesorios de corte con un cable cargado, puede cargar las partes metálicas expuestas de la herramienta eléctrica y producir una descarga eléctrica al operador.

**Indicaciones de seguridad para el uso de brocas largas**

- **Nunca utilice una velocidad superior a la velocidad nominal máxima indicada para la broca.** A velocidades más altas, la broca podría doblarse si se la deja girar libremente sin entrar en contacto con la pieza de trabajo, y podría ocasionar lesiones personales.
- **Empiece a taladrar siempre a baja velocidad y poniendo la punta de la broca en contacto con la pieza de trabajo.** A velocidades más altas, la broca podría doblarse si se la deja girar libremente sin entrar en contacto con la pieza de trabajo, y podría ocasionar lesiones personales.

- **Aplique una presión no demasiado excesiva y solo en línea directa con la broca.** Las brocas pueden doblarse causando rotura o pérdida de control y lesiones personales.

### Advertencias de seguridad adicionales para taladros/atornilladores/martillos

- Utilice fijaciones u otro tipo de método para fijar y apoyar la pieza de trabajo en una plataforma estable. Si sostiene la pieza de trabajo con las manos o con el cuerpo, la pieza quedará inestable y puede hacerle perder el control.
- Los accesorios y la herramienta pueden alcanzar altas temperaturas durante el funcionamiento. Lleve guantes cuando los manipule si realiza operaciones que produzcan calor como el taladrado de metales.
- Las ventilaciones cubren a menudo las piezas móviles y deberán evitarse. La ropa suelta, las joyas y el pelo largo pueden quedar atrapados en las piezas móviles.
- Lleve gafas de seguridad u otro tipo de protección visual. Las operaciones de taladrado y perforado provoca el vuelo de astillas. Las partículas en vuelo pueden provocar daños oculares permanentes.
- Lleve protección acústica al realizar operaciones de perforación de impacto. La exposición al ruido puede provocar pérdida de audición.
- Utilice la o las empuñaduras auxiliares, si la herramienta las tiene. La pérdida de control puede provocar lesiones personales.
- No utilice esta herramienta durante largos periodos de tiempo. Las vibraciones provocadas por la acción del taladro pueden resultar perjudicial para los brazos y las manos. Utilice guantes para ofrecer una protección adicional y limite la exposición tomando periodos de descansos frecuentes.

### Seguridad de otras personas

- Esta herramienta puede ser usada por niños a partir de 8 años de edad y por personas con capacidades físicas, sensoriales o mentales disminuidas, o que carezcan de experiencia y conocimientos, si están supervisadas o han recibido formación con respecto al uso del aparato de una forma segura y que comprenden los peligros que entraña su uso.
- Los niños no deben jugar con el aparato. Los niños no deberán realizar las tareas de limpieza y mantenimiento de usuario, salvo que lo hagan bajo supervisión.

### Riesgos residuales

El uso de esta herramienta puede producir riesgos residuales adicionales no incluidos en las advertencias de seguridad adjuntas. Estos riesgos se pueden generar por un uso incorrecto, demasiado prolongado, etc.

El cumplimiento de las normas de seguridad correspondientes y el uso de dispositivos de seguridad no evitan ciertos riesgos residuales. Dichos riesgos incluyen:

- Lesiones producidas por el contacto con piezas móviles o giratorias.
- Lesiones producidas al cambiar cualquier pieza, hoja o accesorio.
- Lesiones producidas al usar una herramienta durante un tiempo demasiado prolongado. Si utiliza una herramienta durante períodos de tiempo demasiado prolongados, asegúrese de realizar pausas con frecuencia.
- Deterioro auditivo.
- Riesgos para la salud producidos al respirar el polvo que se genera cuando se utiliza la herramienta (ejemplo: en los trabajos con madera, especialmente si son de roble, haya y tableros de densidad mediana).

### Vibración

Los valores de emisión de vibraciones declarados en el apartado de características técnicas y en la declaración de conformidad se han calculado según un método de prueba estándar proporcionado por la norma EN62841 y pueden utilizarse para comparar una herramienta con otra. El valor de emisión de vibraciones especificado también puede utilizarse en una evaluación preliminar de la exposición.



**¡Advertencia!** El valor de emisión de vibraciones durante el funcionamiento real de la herramienta eléctrica puede diferir del valor declarado en función de cómo se utilice dicha herramienta. El nivel de las vibraciones puede aumentar por encima del nivel declarado.

Al evaluar la exposición a las vibraciones con el fin de determinar las medidas de seguridad que exige la directiva 2002/44/CE para proteger a las personas que utilizan periódicamente herramientas eléctricas en el entorno laboral, deberá tenerse en cuenta una estimación de la exposición a las vibraciones, las condiciones de uso reales y el modo de empleo de la herramienta, así como los pasos del ciclo operativo como, por ejemplo, el número de veces que la herramienta se apaga, el tiempo que está parada y el tiempo de activación.

### Etiquetas en la herramienta

Junto con el código de la fecha, en la herramienta aparecen los siguientes pictogramas:



**¡Advertencia!** Para reducir el riesgo de lesiones, el usuario debe leer el manual de instrucciones.



Lleve protectores para los oídos cuando trabaje con taladros percutores. La exposición a los ruidos puede causar pérdida auditiva.

## Seguridad eléctrica



Esta herramienta lleva un doble aislamiento; por lo tanto, no requiere una toma de tierra. Compruebe siempre que el voltaje suministrado corresponda al indicado en la placa de características.

- ◆ Si el cable de alimentación se daña, deberá ser sustituido por el fabricante o un centro de servicio técnico autorizado de BLACK+DECKER para evitar riesgos.

1. Interruptor de velocidad variable
2. Botón de funcionamiento continuo
3. Interruptor de avance/retroceso
4. Selector de modo de perforación
5. Portabroca
6. Bloqueo del mandril
7. Empuñadura lateral

## Montaje

**¡Advertencia!** Antes de proceder al montaje, compruebe que la herramienta está apagada y desenchufada.

### Montaje de la empuñadura lateral (fig. A)

- ◆ Gire la perilla (7c) hacia la izquierda hasta que pueda deslizar la empuñadura lateral (7) hacia la parte frontal de la herramienta como se muestra.
- ◆ Gire la empuñadura lateral hacia la posición deseada y compruebe que las muescas (7a) encajen en los salientes de la herramienta (7b).
- ◆ Apriete la empuñadura lateral girando la perilla (7c) en sentido horario.

**Nota:** la empuñadura lateral puede colocarse según las preferencias personales.

### Montaje de un accesorio (Fig. B)

- ◆ Pulse el bloqueo del portabroca (6)
- ◆ Abra el portabroca girando en sentido antihorario el manguito (5).
- ◆ Inserte el mango de la broca (8) en el portabroca.
- ◆ Gire el manguito en sentido antihorario para apretar el portabroca.

## Uso

**¡Advertencia!** Deje que la herramienta funcione a su ritmo. No la sobrecargue.

**¡Advertencia!** Antes de perforar paredes, suelos o techos, compruebe la ubicación de los cables y tuberías.

### Encendido y apagado (Fig. C)

- ◆ Para encender la herramienta, pulse el interruptor de velocidad variable (1). La velocidad de la herramienta depende de lo lejos que presione el interruptor.
- ◆ Pulse el botón de bloqueo (2) para un funcionamiento continuo y suelte el interruptor de velocidad variable.

Esta opción no funciona con la rotación de retroceso.

- ◆ Para apagar la herramienta, suelte el interruptor de velocidad variable. Para apagar la herramienta mientras esté activado el funcionamiento continuo, vuelva a pulsar el interruptor de velocidad variable y suéltelo. Sujete siempre la herramienta como se muestra en la figura G.

### Selección del sentido de la rotación (Fig. D)

Para perforar y apretar tornillos, utilice la rotación hacia delante (en el sentido de las agujas del reloj). Para aflojar tornillos o extraer una broca atascada, utilice la rotación de retroceso (sentido antihorario).

- ◆ Para seleccionar la rotación hacia delante, empuje el control deslizante de avance/retroceso (3) hacia la izquierda.
- ◆ Para seleccionar la rotación de retroceso, empuje el control deslizante de avance/retroceso hacia la derecha.

**¡Advertencia!** No cambie nunca la dirección de la rotación mientras el motor está en marcha.

### Selección del modo de taladrado (Fig. E)

- ◆ Para efectuar taladrados de impacto en mampostería y hormigón, ajuste el selector de modo de taladro (4) en la posición **T**.
- ◆ Para taladrar en acero, madera y plástico, o para atornillar, ajuste el selector de modo de funcionamiento (4) en la posición **1**.

## Accesorios

El funcionamiento de la herramienta dependerá del accesorio que se utilice. Los accesorios de BLACK+DECKER se han fabricado siguiendo estándares de alta calidad y se han diseñado para mejorar el funcionamiento de la herramienta. Con estos accesorios, sacará el máximo provecho a su herramienta.

## Mantenimiento

Su aparato o herramienta con o sin cable de BLACK+DECKER ha sido diseñado para funcionar durante un largo período de tiempo con un mantenimiento mínimo. El funcionamiento satisfactorio y continuo depende del buen cuidado de la herramienta y de una limpieza frecuente.

**¡Advertencia!** Antes de realizar el mantenimiento de herramientas eléctricas con o sin cables:

- ◆ Apague y desenchufe el aparato/herramienta.
- ◆ O apague y extraiga la batería del aparato/herramienta en caso de que tenga batería independiente.
- ◆ O deje que la batería se agote por completo, si es integral, y apague el aparato.
- ◆ Desenchufe el cargador antes de limpiarlo. El cargador no requiere ningún mantenimiento especial excepto la limpieza periódica.



- ◆ Limpie periódicamente las ranuras de ventilación de la herramienta/aparato/cargador con un cepillo suave o un paño seco.
- ◆ Limpie periódicamente la carcasa del motor con un paño húmedo. No utilice limpiadores abrasivos o a base de disolventes.
- ◆ Abra regularmente el portabroca y golpéelo suavemente para eliminar los restos de polvo que pudiese contener en su interior (si está colocado).

## Sustitución del enchufe de red (solo para Reino Unido e Irlanda)

Si debe colocar un nuevo enchufe de red:

- ◆ Tire el enchufe viejo según las normas de seguridad.
- ◆ Conecte el cable marrón al terminal conductor del nuevo enchufe.
- ◆ Conecte el cable azul al terminal neutro.

**¡Advertencia!** No deberá realizar ninguna conexión al terminal de tierra. Siga las instrucciones de colocación suministradas con los enchufes de buena calidad. Fusible recomendado: 5 A.

## Protección del medioambiente

Recogida selectiva. Los productos y las baterías marcadas con este símbolo no se deben eliminar con los residuos domésticos normales. Los productos y las baterías que contienen materiales que se puedan recuperar o reciclar reducen la demanda de materias primas.

Recicle los productos eléctricos y las baterías de conformidad con la normativa local.

Puede obtener más información en [www.2helpU.com](http://www.2helpU.com)

## Datos técnicos

		BEH550	BEH710
Potencia nominal	$V_{CA}$	550	710
Velocidad en vacío	$\text{min}^{-1}$	0 ~ 2800	0 ~ 2800
Índice de impactos	$\text{min}^{-1}$	0 ~ 47600	0 ~ 47600
Peso	kg	1.7	1.76
<b>Capacidad máxima de perforación</b>			
Hormigón	mm	13	13
Acero	mm	13	13
Madera	mm	25	25

### BEH550 Nivel de presión acústica conforme a la norma EN 62841:

Presión acústica ( $L_{pA}$ ) 93.5 dB (A), incertidumbre (K) 5 dB (A)

Potencia acústica ( $L_{WA}$ ) 104.5 dB (A), incertidumbre (K) 5 dB (A)

### BEH710 Nivel de presión acústica conforme a la norma EN 62841:

Presión acústica ( $L_{pA}$ ) 95.5 dB (A), incertidumbre (K) 5 dB (A)

Potencia acústica ( $L_{WA}$ ) 106.5 dB (A), incertidumbre (K) 5 dB (A)

### BEH550 Valores totales de vibración (suma vectorial triaxial) de acuerdo con la norma EN 62841:

Perforación de impacto en hormigón ( $a_{h, ID}$ ) 14,8  $\text{m/s}^2$ , incertidumbre (K) de 1,5  $\text{m/s}^2$

Perforación en metal ( $a_{hm, D}$ ) 1,8  $\text{m/s}^2$ , incertidumbre (K) de 1,5  $\text{m/s}^2$

### BEH710 Valores totales de vibración (suma vectorial triaxial) de acuerdo con la norma EN 62841:

Perforación de impacto en hormigón ( $a_{h, ID}$ ) 16,2  $\text{m/s}^2$ , incertidumbre (K) de 1,5  $\text{m/s}^2$

Perforación en metal ( $a_{hm, D}$ ) 1,9  $\text{m/s}^2$ , incertidumbre (K) de 1,5  $\text{m/s}^2$

## Declaración de conformidad CE

DIRECTIVA DE MÁQUINAS



Taladro percutor BEH550, BEH710

Black & Decker declara que los productos descritos en "Datos técnicos" cumplen las siguientes normas:

EN62841-1:2015, EN 62841-2-1:2018+A11:2019.

Estos productos también cumplen las directivas 2006/42/CE, 2014/30/UE y 2011/65/UE. Para más información, póngase en contacto con Black & Decker a través de la siguiente dirección o consulte la contracubierta del manual.

El abajo firmante es el responsable de la compilación del archivo técnico y realiza esta declaración en representación de Black & Decker.

Ed Higgins

Director – Herramientas eléctricas de consumo  
Black & Decker Europa, 270 Bath Road, Slough,

Berkshire, SL1 4DX

Reino Unido

30/06/2020

## Garantía

Black & Decker confía en la calidad de sus productos y ofrece a los consumidores una garantía de 24 meses a partir de la fecha de compra. Esta garantía es adicional a sus derechos legales y no los menoscaba en modo alguno. La garantía es válida dentro de los territorios de los Estados Miembros de la Unión Europea y del Área de Libre Comercio Europea.

Para reclamar la garantía, la reclamación se debe presentar de conformidad con las condiciones de Black & Decker.

Tendrá que adjuntar un justificante de compra al vendedor o al agente técnico autorizado.

Las condiciones de la garantía de 2 años de Black & Decker y la ubicación de su agente técnico autorizado más cercano se pueden obtener en Internet en [www.2helpU.com](http://www.2helpU.com) o poniéndose en contacto con su oficina local de Black & Decker en la dirección que se indica en este manual.

Visite nuestro sitio web [www.blackanddecker.co.uk](http://www.blackanddecker.co.uk) para registrar su nuevo producto Black & Decker y recibir noticias sobre nuevos productos y ofertas especiales.

## Utilização pretendida

O seu berbequim de percussão BLACK+DECKER BEH550, BEH710 foi concebido para perfurar madeira, metal, plástico e alvenaria, e também como aparafusadora. Esta ferramenta destina-se apenas a utilização doméstica.

## Instruções de segurança

### Avisos de segurança gerais para ferramentas eléctricas



**Atenção! Leia todos os avisos de segurança, instruções, ilustrações e especificações fornecidas com esta ferramenta eléctrica.** O não cumprimento de todas as instruções indicadas abaixo pode resultar em choque eléctrico, incêndio e/ou ferimentos graves.

**Guarde todos os avisos e instruções para referência futura.** A expressão "ferramenta eléctrica" indicada em todos os avisos refere-se a ferramentas eléctricas com ligação à corrente eléctrica (com fio) ou com bateria (sem fios).

1. **Segurança na área de trabalho**
  - a. **Mantenha a área de trabalho limpa e bem iluminada.** As áreas desarrumadas ou escuras são propensas a acidentes.
  - b. **Não trabalhe com ferramentas eléctricas em áreas com risco de explosão, nas quais se encontrem líquidos, gases ou poeiras inflamáveis.** As ferramentas eléctricas produzem faíscas que podem inflamar estas poeiras ou vapores.
  - c. **Mantenha as crianças e outras pessoas afastadas durante a utilização da ferramenta eléctrica.** As distrações podem causar perda de controlo da ferramenta.
2. **Segurança eléctrica**
  - a. **As fichas das ferramenta eléctrica devem caber na tomada. Nunca modifique a ficha. Não utilize fichas adaptadoras com ferramentas eléctricas ligadas à terra.** As fichas não modificadas e as tomadas compatíveis reduzem o risco de choque eléctrico.
  - b. **Evite que o corpo entre em contacto com superfícies ligadas à terra, como tubos, radiadores, fogões e frigoríficos.** Se o seu corpo estiver "ligado" à terra, o risco de choque eléctrico é maior.
  - c. **As ferramentas eléctricas não podem ser expostas à chuva ou à humidade.** A entrada de água numa ferramenta eléctrica aumenta o risco de choque eléctrico.
  - d. **Manuseie o cabo com cuidado. Nunca o utilize para transportar, puxar ou desligar a ferramenta eléctrica.** Mantenha o cabo afastado de fontes de calor, óleo, arestas afiadas ou peças móveis. Os cabos danificados ou emaranhados aumentam o risco de choque eléctrico.

- e. **Quando trabalhar com uma ferramenta eléctrica ao ar livre, utilize uma extensão adequada para esta finalidade.** A utilização de um cabo adequado para uso ao ar livre reduz o risco de choque eléctrico.
- f. **Se for inevitável trabalhar com uma ferramenta eléctrica num local húmido, utilize um dispositivo de corrente residual (DCR).** A utilização de um DCR reduz o risco de choque eléctrico.
- 3. Segurança pessoal**
- a. **Esteja sempre atento, preste atenção ao que está a fazer e seja prudente quando trabalhar com uma ferramenta eléctrica. Não utilize uma ferramenta eléctrica quando estiver cansado ou sob o efeito de drogas, álcool ou medicamentos.** Um momento de distração durante a utilização de ferramentas eléctricas pode resultar em ferimentos graves.
- b. **Use equipamento de protecção individual. Use sempre protecção ocular.** O equipamento de protecção, como, por exemplo, uma máscara anti-poeira, sapatos de segurança antiderrapantes, um capacete de segurança ou uma protecção auditiva, usado nas condições adequadas, reduz o risco de ferimentos.
- c. **Evite arranques involuntários. Verifique se o gatilho está desligado antes de ligar a ferramenta à corrente eléctrica e/ou as baterias e antes de levantar ou transportar a ferramenta.** Se mantiver o dedo sobre o gatilho quando transportar ferramentas eléctricas ou se ligá-las à fonte de alimentação com o gatilho ligado, pode causar acidentes.
- d. **Retire qualquer chave de ajuste ou chave de porcas antes de ligar a ferramenta eléctrica.** Uma chave de fendas ou de ajuste fixada numa peça rotativa da ferramenta eléctrica pode causar ferimentos.
- e. **Não se estique demasiado quando trabalhar com a ferramenta. Mantenha sempre os pés bem apoiados e um equilíbrio adequado.** Desta forma, é mais fácil controlar a ferramenta eléctrica em situações inesperadas.
- f. **Use vestuário adequado. Não use roupa larga ou jóias. Mantenha o cabelo, a roupa e as luvas afastados das peças móveis.** As roupas largas, jóias ou o cabelo comprido podem ficar presos nestas peças.
- g. **Se for prevista a montagem de dispositivos de extracção e recolha de pó, assegure-se de que estão ligados e que são utilizados de forma correcta.** A utilização de dispositivos de extracção de partículas pode reduzir os riscos relacionados com as mesmas.
- h. **Não permita que o facto de estar familiarizado com a utilização frequente das ferramentas o torne complacente e ignore os princípios de segurança da ferramenta. Uma acção irreflectida pode causar ferimentos graves numa fracção de segundos.**
- 4. Utilização e manutenção da ferramenta eléctrica**
- a. **Não sobrecarregue a ferramenta eléctrica. Utilize a ferramenta eléctrica correcta para o seu trabalho.** A ferramenta eléctrica adequada efectua o trabalho de um modo mais eficiente e seguro se for utilizada de acordo com a capacidade para a qual foi concebida.
- b. **Não utilize a ferramenta eléctrica se não conseguir ligar ou desligar o gatilho.** Qualquer ferramenta eléctrica que não possa ser controlada através do gatilho é perigosa e tem de ser reparada.
- c. **Retire a ficha da tomada de electricidade e/ou a bateria da ferramenta eléctrica, caso seja possível fazê-lo, da ferramenta eléctrica antes de efectuar quaisquer ajustes, substituir acessórios, ou guardar ferramentas eléctricas.** Estas medidas de segurança preventivas reduzem o risco de ligar a ferramenta eléctrica acidentalmente.
- d. **Mantenha as ferramentas eléctricas que não estiverem a ser utilizadas fora do alcance de crianças. Não permita que a ferramenta eléctrica seja utilizada por pessoas não familiarizadas com a mesma ou que não tenham lido estas instruções.** As ferramentas eléctricas são perigosas nas mãos de pessoas que não possuam as qualificações necessárias para manuseá-las.
- e. **Proceda à manutenção das ferramentas eléctricas e acessórios. Verifique se as partes móveis estão desalinhadas ou bloqueadas, se há peças partidas ou qualquer outra situação que possa afectar o funcionamento das ferramentas eléctricas. Se a ferramenta eléctrica estiver danificada, esta só deve ser utilizada quando estiver reparada.** Muitos acidentes são causados por ferramentas eléctricas com uma manutenção insuficiente.
- f. **Mantenha as ferramentas de corte sempre afiadas e limpas.** As ferramentas de corte sujeitas a uma manutenção adequada, com arestas de corte afiadas, bloqueiam com menos frequência e controlam-se com maior facilidade.
- g. **Utilize a ferramenta eléctrica, acessórios e peças de ferramenta de acordo com estas instruções, considerando as condições de trabalho e o tarefa a ser executada.** A utilização da ferramenta eléctrica para finalidades diferentes das previstas pode resultar em situações perigosas.
- h. **Mantenha os cabos e as superfícies de fixação secos, limpos e sem qualquer óleo ou gordura. Se os punhos e as superfícies de prensão estiverem escorregadios, isso não permite um manuseamento e controlo seguros da ferramenta em situações inesperadas.**

## 5. Assistência

- a. **A ferramenta eléctrica deve ser reparada por técnicos qualificados que utilizem apenas peças de substituição iguais.** Desta forma, é garantida a segurança da ferramenta eléctrica.

### Instruções de segurança para todas as operações

- **Use protecção auricular quando efectuar perfurações de impacto.** A exposição ao ruído pode causar perda auditiva.
- **Retirar o(s) punho(s) auxiliar(es).** A perda de controlo pode causar lesões pessoais.
- **Fixe bem a ferramenta antes de utilizá-la.** Esta ferramenta produz um binário de saída elevado. Se não fixar bem a ferramenta durante a operação, pode ocorrer perda de controlo, o que pode causar ferimentos.
- **Segure a ferramenta eléctrica pelas superfícies de preensão isoladas quando executar uma operação em que o acessório de corte possa entrar em contacto com cablagem escondida ou o próprio cabo.** O acessório de corte que entre em contacto com um fio com tensão eléctrica pode fazer com que as peças de metal expostas da ferramenta conduzam electricidade e electrocutem o utilizador.

### Instruções de segurança quando utilizar brocas compridas

- **Nunca utilize a ferramenta a uma velocidade mais elevada do que a velocidade nominal máxima da broca.** A velocidades mais elevada, a broca pode ficar dobrada se rodar livremente sem tocar na peça, podendo causar ferimentos.
- **Inicie sempre a perfuração a uma velocidade reduzida e com a ponta da broca em contacto com a peça.** A velocidades mais elevada, a broca pode ficar dobrada se rodar livremente sem tocar na peça, podendo causar ferimentos.
- **Aplique pressão apenas em linha recta com a broca e não aplique pressão excessiva.** As brocas podem ficar dobradas e causar rotura ou perda de controlo, bem como ferimentos.

### Regras de segurança adicionais para berbequins/martelos de perfuração

- Utilize grampos ou outro sistema para fixar e apoiar a peça numa plataforma estável. Segurar a peça com a mão ou contra o corpo pode causar instabilidade e perda de controlo.
- Os acessórios e a ferramenta podem ficar quentes durante a operação. Use luvas quando os utilizar se efectuar aplicações de produção de calor, como perfuração de metais.

- As saídas de ventilação frequentemente obstruem as peças em movimento e devem ser evitadas. As roupas largas, jóias ou o cabelo comprido podem ficar presos nestas peças.
- Use óculos de segurança ou outra protecção ocular. As operações de batimento com o martelo ou de perfuração podem causar a projecção de aparas. As partículas projectadas podem causar danos oculares permanentes.
- Use protecção auricular quando efectuar perfurações de impacto. A exposição ao ruído pode causar perda auditiva.
- Utilize o(s) punho(s) auxiliar(es), caso tenha(m) sido fornecido(s) com a ferramenta. A perda de controlo pode causar lesões pessoais.
- Não utilize esta ferramenta durante longos períodos de tempo. A vibração causada pela acção do martelo pode ser prejudicial às suas mãos e braços. Use luvas para proporcionar uma protecção adicional e limite a exposição, fazendo pausas frequentes.

### Segurança de terceiros

- Este equipamento pode ser utilizado por crianças com 8 anos de idade ou mais e por pessoas que apresentem capacidades físicas, sensoriais ou mentais reduzidas ou que não possuam os conhecimentos e a experiência necessários, se forem vigiadas e instruídas acerca da utilização do equipamento de uma forma segura e compreenderem os perigos envolvidos.
- As crianças não devem mexer no equipamento. A limpeza e manutenção não devem ser efectuadas por crianças sem supervisão.

### Riscos residuais

Podem surgir riscos residuais adicionais durante a utilização da ferramenta, que podem não constar nos avisos de segurança incluídos. Estes riscos podem resultar de má utilização, uso prolongado, etc.

Mesmo com o cumprimento dos regulamentos de segurança relevantes e a implementação de dispositivos de segurança, alguns riscos residuais podem não ser evitados. Estes incluem:

- Ferimentos causados pelo contacto com peças em rotação/movimento.
- Ferimentos causados durante a substituição de peças, lâminas ou acessórios.
- Ferimentos causados pela utilização prolongada de uma ferramenta. Se utilizar uma ferramenta durante períodos prolongados, certifique-se de que faz pausas regularmente.
- Danos auditivos.
- Problemas de saúde causados pela inalação de poeiras resultantes da utilização da ferramenta (exemplo: trabalhos em madeira, especialmente carvalho, faia e MDF).

## Vibração

Os valores de emissão de vibração declarados na secção de dados técnicos e na declaração de conformidade foram medidos de acordo com o método de teste padrão fornecido pela EN 62841 e podem ser utilizados para comparar ferramentas. O valor da emissão de vibração declarado pode ainda ser utilizado numa avaliação preliminar de exposição.



**Atenção!** O valor da emissão de vibração durante a utilização real da ferramenta eléctrica pode ser diferente do valor declarado, dependendo da forma como a ferramenta é utilizada. O nível de vibração pode aumentar acima do nível indicado.

Quando avaliar a exposição da vibração para determinar as medidas de segurança exigidas pela Directiva 2002/44/CE para proteger pessoas que utilizem regularmente ferramentas eléctricas na sua actividade profissional, deve ser considerada uma estimativa de exposição de vibração, as condições reais de utilização e o modo de utilização da ferramenta, incluindo ainda todas as partes do ciclo de funcionamento, como os períodos de inactividade e espera da ferramenta, além do tempo de funcionamento.

## Etiquetas colocadas na ferramenta

A ferramenta apresenta os seguintes pictogramas de aviso em conjunto com o código de data:



**Atenção!** Para reduzir o risco de ferimentos, o utilizador deve ler o manual de instruções.



Utilize protecção auditiva com berbequins de percussão. A exposição ao ruído pode causar perda auditiva

## Segurança eléctrica



Esta ferramenta tem isolamento duplo. Por esse motivo, não necessita de ligação à terra. Verifique sempre se a tensão da tomada de electricidade corresponde à tensão indicada na placa com os requisitos de alimentação da ferramenta.

- ◆ Se o cabo de alimentação estiver danificado, deve ser substituído pelo fabricante ou por um Centro de Assistência autorizado da BLACK+DECKER para evitar situações de perigo.
1. Botão de velocidade variável
  2. Botão de bloqueio
  3. Interruptor para a frente/para trás
  4. Selector de modo de perfuração
  5. Mandril
  6. Bloqueio do mandril
  7. Punho lateral

## Montagem

**Atenção!** Antes da montagem, certifique-se de que a ferramenta está desligada e que não está ligada à corrente eléctrica.

### Encaixar o punho lateral (Fig. A)

- ◆ Rode o botão (7c) para a esquerda até conseguir fazer deslizar o punho lateral (7) para a frente da ferramenta, tal como mostrado.
- ◆ Rode o punho lateral para a posição pretendida, garantindo que as ranhuras (7a) encaixam na roda (7b).
- ◆ Aperte o punho lateral, rodando o botão (7c) para a direita.

**Nota:** o punho lateral pode ser posicionado, dependendo da preferência pessoal.

### Montar um acessório (fig. B)

- ◆ Pressione o bloqueio do mandril (6)
- ◆ Abra o mandril rodando a manga (5) no sentido oposto aos ponteiros do relógio.
- ◆ Insira o veio de pontas (8) no mandril.
- ◆ Aperte o mandril rodando a manga no sentido dos ponteiros do relógio.

## Utilização

**Atenção!** Não altere o ritmo de funcionamento da ferramenta. Não sobrecarregue.

**Atenção!** Antes de perfurar paredes, tectos ou chãos, verifique a localização de cablagem e tubos.

### Ligar e desligar (Fig. C)

- ◆ Para ligar a ferramenta, pressione o interruptor de velocidade variável (1). A velocidade da ferramenta depende da intensidade da pressão no botão.
- ◆ Para um funcionamento contínuo, pressione o botão de bloqueio (2) e solte o interruptor de velocidade variável. Esta opção não funciona na rotação para trás.
- u Para desligar a ferramenta, liberte o botão de velocidade variável. Para desligar a ferramenta quando estiver a executar uma operação contínua, prima o botão de velocidade variável mais uma vez e solte-o. Segure sempre a ferramenta conforme indicado na Figura G.

### Seleção do sentido de rotação (Fig. D)

Para perfuração e para apertar parafusos, utilize a rotação para a frente (no sentido dos ponteiros do relógio). Para desaparafusar ou remover uma broca encravada, utilize a rotação para trás (no sentido contrário ao dos ponteiros do relógio).

- ◆ Para seleccionar a rotação para a frente, empurre a patilha para a frente/para trás (3) para a esquerda.
- ◆ Para seleccionar a rotação para trás, pressione a patilha para a frente/para trás para a direita.

**Atenção!** Nunca altere a direcção de rotação enquanto o motor estiver a funcionar.

**Seleccionar o modo de perfuração (Fig. E)**

- ◆ Para perfuração de impacto em alvenaria e betão, coloque o selector de modo de perfuração (4) na posição **T**.
- ◆ Para perfurar aço, madeira e plástico, ou para apertar parafusos, coloque o selector do modo de funcionamento (4) na posição **1**.

**Acessórios**

O desempenho da ferramenta depende dos acessórios utilizados. Os acessórios BLACK+DECKER são concebidos segundo normas de elevada qualidade e desenvolvidos de modo a melhorar o desempenho da sua ferramenta. A utilização destes acessórios permite tirar o máximo proveito da ferramenta.

**Manutenção**

O seu equipamento/ferramenta com/sem fios BLACK+DECKER foi concebido para funcionar durante muito tempo, com um mínimo de manutenção. Uma utilização continuamente satisfatória depende de uma manutenção adequada da ferramenta e de uma limpeza frequente.

**Atenção!** Antes de proceder a qualquer acção de manutenção em ferramentas eléctricas com cabo/sem fios:

- ◆ Desligue o equipamento/ferramenta e retire a respectiva ficha da tomada.
- ◆ Pode também desligar e retirar a bateria do equipamento/ferramenta caso o equipamento/ferramenta tenha uma bateria individual.
- ◆ Ou deixe a bateria descarregar por completo se estiver incorporada e, em seguida, desligue-a.
- ◆ Desligue o carregador antes de limpá-lo. O carregador não necessita de manutenção para além da limpeza frequente.
- ◆ Limpe regularmente as ranhuras de ventilação do equipamento/ferramenta/carregador com uma escova macia ou um pano seco.
- ◆ Limpe regularmente o compartimento do motor com um pano húmido. Não utilize produtos de limpeza abrasivos ou à base de dissolventes.
- ◆ Abra o mandril regularmente e bata no mesmo para remover qualquer vestígio de pó do interior (se estiver instalado).

**Substituição da ficha de alimentação (apenas no Reino Unido e Irlanda)**

Se for necessário instalar uma nova ficha de alimentação:

- ◆ Elimine com segurança a ficha antiga.
- ◆ Ligue o cabo castanho ao terminal activo da nova ficha.
- ◆ Ligue o cabo azul ao terminal neutro.

**Atenção!** Não deve ser efectuada qualquer ligação ao terminal de terra. Siga as instruções de instalação fornecidas com fichas de boa qualidade. Fusível recomendado: 5 A.

**Protecção do ambiente**

Faça uma recolha de lixo selectiva. Os produtos e as baterias assinalados com este símbolo não devem ser eliminados em conjunto com o lixo doméstico normal. Os produtos e as baterias contêm materiais que podem ser recuperados ou reciclados, reduzindo assim a necessidade de matérias-primas.

Recicle os produtos eléctricos e as baterias de acordo com as disposições locais.

Estão disponíveis mais informações em [www.2helpU.com](http://www.2helpU.com)

**Dados técnicos**

		BEH550	BEH710
Potência nominal	V <sub>ca</sub>	550	710
Velocidade sem carga	min <sup>-1</sup>	0 ~ 2800	0 ~ 2800
Níveis de percussão	min. <sup>-1</sup>	0 ~ 47600	0 ~ 47600
Peso	kg	1,7	1,76
<b>Capacidade máx. de perfuração</b>			
Betão	mm	13	13
Aço	mm	13	13
Madeira	mm	25	25

**BEH550 Nível de pressão acústica, de acordo com a norma EN 62841:**

Pressão acústica (L<sub>pa</sub>) 93,5 dB(A), variabilidade (K) 5 dB(A)

Potência acústica (L<sub>WA</sub>) 104,5 dB(A), variabilidade (K) 5 dB(A)

**BEH710 Nível de pressão acústica, de acordo com a norma EN 62841:**

Pressão acústica (L<sub>pa</sub>) 95,5 dB(A), variabilidade (K) 5 dB(A)

Potência acústica (L<sub>WA</sub>) 106,5 dB(A), variabilidade (K) 5 dB(A)

**BEH550 Valores totais de vibração (soma de vector triax) de acordo com a norma EN 62841:**

Perfuração de betão com percussão (a<sub>h, D</sub>) 14,8 m/s<sup>2</sup>, variabilidade (K) 1,5 m/s<sup>2</sup>

Perfurar em metal (a<sub>n, D</sub>) 1,8 m/s<sup>2</sup>, variabilidade (K) 1,5 m/s<sup>2</sup>

**BEH710 Valores totais de vibração (soma de vetores triax) de acordo com EN 62841:**

Perfuração de betão com percussão (a<sub>h, D</sub>) 16,2 m/s<sup>2</sup>, variabilidade (K) 1,5 m/s<sup>2</sup>

Perfurar em metal (a<sub>n, D</sub>) 1,9 m/s<sup>2</sup>, variabilidade (K) 1,5 m/s<sup>2</sup>

**Declaração de conformidade CE**

DIRECTIVA "MÁQUINAS"



BEH550, BEH710 Berbequim de percussão

A Black & Decker declara que os produtos descritos nos "dados técnicos" estão em conformidade com: EN62841-1:2015, EN 62841-2-1:2018+A11:2019.

Estes produtos estão também em conformidade com as directivas 2006/42/CE, 2014/30/UE e 2011/65/UE. Para obter mais informações, contacte a Black & Decker na morada indicada em seguida ou consulte o verso do manual.

O signatário é responsável pela compilação do ficheiro técnico e efetua esta declaração em nome da Black & Decker.



Ed Higgins

Director de Ferramentas eléctricas para bricolage  
Black & Decker Europe, 270 Bath Road, Slough,  
Berkshire, SL1 4DX  
Reino Unido  
30/06/2020

## Garantia

A Black & Decker confia na qualidade dos seus produtos e oferece aos clientes uma garantia de 24 meses a partir da data de compra. Esta garantia é um complemento dos seus direitos estabelecidos por lei, não os prejudicando de forma alguma. A garantia é válida nos Estados-membros da União Europeia e nos países-membros da Zona Europeia de Comércio Livre.

Para accionar a garantia, esta deve estar em conformidade com os termos e condições da Black & Decker e terá de apresentar comprovativos de compra ao vendedor ou a um técnico de reparação autorizado. Os termos e condições da garantia de 2 anos da Black & Decker e a localização do agente de reparação autorizado mais próximo podem ser obtidos na Internet em [www.2helpU.com](http://www.2helpU.com) ou contactando uma filial da Black & Decker, cuja morada está indicada neste manual.


Visite o nosso Website [www.blackanddecker.co.uk](http://www.blackanddecker.co.uk) para registar o novo produto Black & Decker e manter-se actualizado relativamente a novos produtos e ofertas especiais.

## Avsedd användning

Din BLACK+DECKER BEH 550, BEH710 slagbormmaskin är avsedd för borning i trä, metall, plast och murverk, samt för skruvdragning. Detta verktyg är endast avsett för konsumentbruk.

## Säkerhetsinstruktioner

### Allmänna säkerhetsanvisningar för elverktyg

 **Varning! Läs alla säkerhetsvarningar, instruktioner, illustrationer och specifikationer som levereras med detta elverktyg.** Underlåtenhet att läsa alla instruktioner som listas här nedan kan resultera i elektrisk stöt, eldsvåda och/eller allvarlig personskada.

**Spara alla säkerhetsföreskrifter och anvisningar för framtida bruk.** Begreppet "elverktyg" i alla varningar som listas nedan avser nätdrivna elverktyg (med nätsladd) och batteridrivna elverktyg (sladdlösa).

### 1. Säkerhet på arbetsplatsen

- Håll arbetsområdet rent och ordentligt upplyst.**  
Belamrade och mörka områden inbjuder till olyckor.
- För att undvika explosionsrisk bör du inte använda elverktyget i omgivningar med brännbara vätskor, gaser eller damm.** Elverktyg skapar gnistor som kan antända damm eller ångor.
- Håll barn och andra personer på betryggande avstånd när du använder elverktyg.** Distractioner kan göra att du förlorar kontrollen.

### 2. Elsäkerhet

- Elverktygets stickkontakt måste passa i eluttaget. Modifiera aldrig kontakten på något sätt. Använd inga adapterkontakter tillsammans med jordade elverktyg.** Locke modifierade kontakter och passande uttag minskar risken för elektrisk stöt.
- Undvik kroppskontakt med jordade ytor som t.ex. rör, värmelement, spisar och kylskåp.** Det finns en ökad risk för elektrisk stöt om din kropp är jordansluten eller jordad.
- Skydda elverktyget mot regn och väta.** Vatten som kommer in i ett elverktyg ökar risken för elektrisk stöt.
- Hantera inte nätsladden ovarsamt. Använd aldrig sladden för att bära, dra eller koppla bort elverktyget från uttaget.** Håll sladden borta från värme, olja, skarpa kanter eller rörliga delar. Skadade eller tillrasslade sladdar ökar risken för elektrisk stöt.
- Använd endast förlängningssladdar som är godkända för utomhusbruk när du arbetar med elverktyg utomhus.** Användning av en sladd som är lämplig för utomhusbruk minskar risken för elektriska stötar.

- f. **Om du måste använda ett elverktyg på en fuktig plats ska du använda jordfelsbrytare.** Användning av en jordfelsbrytare minskar risken för elektrisk stöt.
3. **Personlig säkerhet**
- a. **Var uppmärksam, se på vad du gör och använd elverktyget med förnuft.** Använd inte ett elverktyg när du är trött eller påverkad av droger, alkohol eller mediciner. Ett ögonblicks ouppmärksamhet när du arbetar med elektriska verktyg kan leda till allvarliga personskador.
- b. **Använd personlig skyddsutrustning. Använd alltid skyddsglasögon.** Skyddsutrustning såsom skyddsmask, halksäkra säkerhetsskor, skyddshjälm eller hörselskydd som används för lämpliga förhållanden minskar personskador.
- c. **Undvik oavsiktlig start. Kontrollera att strömbrytaren står i avstängt läge innan du ansluter verktyget till elnätet eller sätter i batteriet, samt innan du tar upp eller bär verktyget.** Att bära elektriska verktyg med fingret på strömbrytaren eller att koppla strömmen till elektriska verktyg när strömbrytaren är på leder till olyckor.
- d. **Ta bort alla inställningsverktyg och skruvnycklar innan du startar elverktyget.** Ett verktyg eller en nyckel som har lämnats kvar på en roterande del av det elektriska verktyget kan orsaka kroppsskador.
- e. **Bøj dig inte för långt. Ha ordentligt fotfäste och balans hela tiden.** Detta möjliggör bättre kontroll av elverktyget i oväntade situationer.
- f. **Klä dig på lämpligt sätt. Bär inte lösa kläder eller smycken. Håll hår, beklädnad och handskar borta från delar i rörelse.** Lösa kläder, smycken eller långt hår kan fastna i rörliga delar.
- g. **Om elverktyget har utrustning för dammsugning och -uppsamling ska du kontrollera att utrustningen är rätt monterad och används på korrekt sätt.** Användning av dammuppsamling kan minska dammrelaterade risker.
- h. **Låt inte erfarenheten som uppnås vid frekvent användning av verktyg låta dig bli för självsäker och ignorera verktygsäkerhetsprinciperna. En oförsiktig handling kan orsaka allvarliga skador under bråkdelen av en sekund.**
4. **Användning och skötsel av elverktyg**
- a. **Överbelasta inte elverktyget. Använd rätt elverktyg för ditt arbete.** Det korrekta elverktyget gör arbetet bättre och säkrare vid den hastighet för vilket det konstruerades.
- b. **Använd inte elverktyget om det inte går att starta och stänga av det med strömbrytaren.** Ett elverktyg som inte kan kontrolleras med strömbrytaren är farligt och måste repareras.
- c. **Ta ur kontakten från strömkällan** och/eller batteriet från elverktyget, om det går att ta bort, innan du gör några justeringar, byter tillbehör eller lagrar **elverktygen**. Sådana förebyggande säkerhetsåtgärder minskar risken att oavsiktligt starta elverktyget.
- d. **Förvara elverktyg utom räckhåll för barn.** Låt inte elverktyget användas av personer som inte är vana vid det, eller som inte läst denna bruksanvisning. Elverktyg är farliga i händerna på ovana användare.
- e. **Underhåll elverktyg och tillbehör. Kontrollera att rörliga komponenter fungerar felfritt och inte kärvar, att komponenter inte gått sönder eller skadats och inget annat föreligger som kan påverka elverktygets funktion. Om det är skadat, se till att elverktyget blir reparerat före användning.** Många olyckor orsakas av dåligt underhållna elektriska verktyg.
- f. **Håll skärverktyg vassa och rena.** Korrekt underhållna kapverktyg med vassa skär är mindre troliga att de fastnar och är lättare att kontrollera.
- g. **Använd elverktyget, tillbehör, insatsverktyg osv. enligt dessa anvisningar och på sätt som föreskrivits för aktuell verktygsmodell. Ta hänsyn till arbetsvillkoren och arbetsmomenten.** Användning av elverktyget för andra uppgifter än vad som avsetts kan resultera i farliga situationer.
- h. **Håll handtagen och greppytorna torra, rena och fria från olja och fett. Hala handtag och greppytor förhindrar säker hantering och kontroll av verktyget i oväntade situationer.**
5. **Service**
- a. **Se till att ditt elverktyg får service av en kvalificerad reparatör, som endast använder identiska ersättningsdelar.** Detta säkerställer att elverktygets säkerhet bibehålls.
- Säkerhetsinstruktioner för all verksamhet**
- **Använd hörselskydd vid slagborrning.** Att utsättas för buller kan leda till hörselskador.
  - **Använd extrahandtaget.** Tappad kontroll kan orsaka personskador.
  - **Spänn verktyget ordentligt före användning.** Detta verktyg avger ett högt utgångsmoment och om inte verktyget stängs ordentligt under drift kan förlust av kontroll uppstå vilket kan leda till personskador.
  - **Håll verktyget i de isolerade greppytorna vid arbete där sågtillbehöret riskerar att komma i kontakt med dolda elledningar eller med sin egen nätsladd.** Kapitillbehör som kommer i kontakt med en strömförande ledning kan göra att exponerade metalldelar hos elverktyget blir strömförande och kan ge användaren en elektrisk stöt.



## Säkerhetsinstruktioner när du använder långa borrar

- **Kör aldrig med högre hastighet än borrbitens maximala hastighet.** Vid högre hastigheter kommer bitsen troligen att böjas om den får rotera fritt utan att komma i kontakt med arbetsstycket, vilket kan resultera i personskada.
- **Börja alltid borra med låg hastighet och med bitspetsen i kontakt med arbetsstycket.** Vid högre hastigheter kommer bitsen troligen att böjas om den får rotera fritt utan att komma i kontakt med arbetsstycket, vilket kan resultera i personskada.
- **Tryck endast i direkt linje med bitsen och applicera inte för högt tryck.** Bits kan böjas och orsaka brott eller förlust av kontroll, vilket kan leda till personskada.

## Ytterligare säkerhetsanvisningar för bormaskiner/skruvdragare/slagbormaskiner

- Använd klämmor eller något annat praktiskt sätt att säkra och stöjda arbetsstycket vid ett stabilt underlag. Att hålla arbetsstycket för hand eller mot kroppen är instabilt och kan göra att du förlorar kontrollen.
- Tillbehör och verktyg kan bli heta under arbetet. Använd handskar vid hantering om arbete görs som producerar hetta såsom borming i metall.
- Luftventiler täcker ofta rörliga delar och bör undvikas. Löst sittande kläder, smycken eller långt hår kan fastna i rörliga delar.
- Använd skyddsglasögon eller annat ögonskydd. Slagborming och bormingsarbeten kan göra att flisor flyger omkring. Flygande partiklar kan orsaka permanenta ögonskador.
- Använd hörselskydd vid slagborming. Att utsättas för buller kan leda till hörselskador.
- Använd hjälphandtag om de medföljer verktyget. Tappad kontroll kan orsaka personskador.
- Arbeta inte med verktyget under långa perioder. Vibrationer som orsakas av slagverktygets arbete kan vara skadligt för dina händer och armar. Använd handskar för att få extra stötdämpning och begränsa exponeringen genom att ta regelbundna pauser.

## Säkerhet för andra

- Denna apparat kan användas av barn från 8 år och personer med nedsatt fysisk eller psykisk förmåga eller bristande erfarenhet eller kunskap, om de övervakas eller får instruktioner om hur apparaten används på ett säkert sätt och är medvetna om riskerna.
- Barn ska inte leka med apparaten. Rengöring och användarunderhåll ska inte utföras av barn utan övervakning.

## Återstående risker

Ytterligare risker som inte finns med i de bifogade säkerhetsanvisningarna kan uppstå när verktyget används. Dessa risker kan uppstå vid felaktig eller långvarig användning, etc.

Även om alla relevanta säkerhetsanvisningar följs och säkerhetsanordningar används kan vissa ytterligare risker inte undvikas. Dessa omfattar:

- Skador orsakade av att roterande/rörliga delar vidrörs.
- Skador som uppstår vid byte av delar, blad eller tillbehör.
- Skador som orsakas av långvarig användning av ett verktyg. Se till att regelbundet ta vilopausar när du använder ett verktyg under en längre period.
- Hörselnedsättning.
- Hälsorisker till följd av inandning av damm när redskapet används (exempel: arbete med trämaterial, särskilt ek, bok och MDF).

## Vibrationer

De vibrationsvärden som anges i avsnitten Tekniska data och deklarationen om överensstämmelse har uppmätts i enlighet med en standardtestmetod föreskriven i EN62841 och kan användas för jämförelse med andra verktyg. Det angivna vibrationsvärdet kan även användas för en preliminär bedömning av exponeringen.



**Warning!** Vibrationsvärdet under faktisk användning av elverktyget kan skilja sig från det uppgivna värdet beroende på hur verktyget används. Vibrationsnivån kan överstiga den uppgivna nivån.

Vid uppskattningar av exponering för vibrationer i syfte att bedöma vilka säkerhetsåtgärder som är nödvändiga enligt 2002/44/EG för att skydda personer som regelbundet använder elverktyg i arbetet ska man utgå från de faktiska omständigheter under vilka elverktyget används och sättet på vilket det används. Bedömningen ska även ta hänsyn till alla moment i arbetscykeln, t.ex. när verktyget är avstängt och när det går på tomgång såväl som när det faktiskt används.

## Etiketter på verktyget

Följande varningssymboler finns på verktyget, tillsammans med datumkoden:



**Warning!** Läs bruksanvisningen före användning för att minska risken för personskador.



Bär hörselskydd när du använder slagborrar. Att utsättas för buller kan leda till hörselskador

## Elsäkerhet



Eftersom verktyget är dubbelisolerat behövs ingen jordledare. Kontrollera alltid så att spänningen på nätet motsvarar den spänning som finns angiven på märkplåten.

- ◆ Om nätsladden är skadad så måste den bytas ut av tillverkaren eller ett auktoriserat BLACK+DECKER servicecenter för att undvika risker.

1. Variabel hastighetskontroll
2. Lås på knapp
3. Framåt-/bakåtströmbrytare
4. Borrålägesväljare
5. Chuck
6. Chucklås
7. Sidohandtag

## Montering

**Varning!** Se till att verktyget är avstängt och att det inte är anslutet innan monteringen börjar.

### Montering av sidohandtaget (fig. A)

- ◆ Vrid vredet (7c) moturs tills du kan skjuta sidohandtaget (7) på verktygets framsida såsom visas.
- ◆ Vrid sidohandtaget till önskad position, se till att spåren (7a) aktiveras i kedjehjulet (7b).
- ◆ Dra åt sidohandtaget genom att vrida vredet (7c) medurs.

**Obs:** sidohandtaget kan placeras beroende på personliga preferenser.

### Montera tillbehör (fig. B)

- ◆ Tryck på chucklåset (6)
- ◆ Öppna chucken genom att vrida hylsan (5) moturs.
- ◆ Sätt bitens skaft (8) i chucken.
- ◆ Dra åt chucken genom att vrida hylsan medurs.

## Användning

**Varning!** Låt verktyget arbeta i sin egen takt. Överbelasta inte.

**Varning!** Innan du borrar i väggar, golv eller tak ska du kontrollera var rör eller elledningar finns.

### Start och stopp (bild C)

- ◆ Slå på verktyget genom att trycka in strömbrytaren för variabel hastighet (1). Verktygets hastighet beror på hur långt du trycker in strömbrytaren.
- ◆ Tryck in låsknappen (2) och släpp strömbrytaren för variabel hastighet om du vill ha kontinuerlig drift. Det här fungerar inte vid rotation bakåt.
- ◆ Stäng av verktyget genom att släppa strömbrytaren för variabel hastighet. Under kontinuerlig drift stänger du av verktyget genom att trycka in och släppa strömbrytaren för variabel hastighet en gång till. Håll alltid verktyget som visas i figur G.

### Välja rotationsriktning (fig. D)

När du borrar och drar åt skruvar använder du rotation framåt (medurs). För att lossa skruvar eller avlägsna en borr som har fastnat använder du rotation bakåt (moturs).

- ◆ Du väljer framåtgående rörelse genom att trycka framåt-/bakåtreglaget (3) åt vänster.

- ◆ Du väljer bakåtgående rörelse genom att trycka framåt-/bakåtreglaget åt höger.

**Varning!** Ändra aldrig rörelsens riktning medan motorn är igång.

### Välja borrningsläge (bild E)

- ◆ För slagborrning i murverk och betong ställer du borrålägesväljaren (4) i **T**-läget.
- ◆ För borrning i stål, trä och plast ställer du borrålägesväljaren (4) i **1**-läget.

## Tillbehör

Verktygets prestanda beror på vilka tillbehör du använder. Tillbehör från BLACK+DECKER håller hög kvalitet och är konstruerade för att fungera optimalt med verktyget. Genom att använda dessa tillbehör får du ut mesta möjliga av verktyget.

## Underhåll

Din kabelanslutna/sladdlösa BLACK+DECKER-apparat/verktyg är konstruerad för att fungera en lång tid med minsta möjliga underhåll. Kontinuerlig tillfredsställande drift är beroende av ordentlig verktygsvård och regelbunden rengöring.

**Varning!** Innan något underhåll utförs på sladdanslutna/sladdlösa elverktyg:

- ◆ Stäng av apparaten/verktyget och dra ur nätkontakten.
- ◆ Du kan också ta ut batteriet ur redskapet/verktyget om det har ett separat batteri.
- ◆ Om batteriet är inbyggt låter du det laddas ur helt innan avstängningen.
- ◆ Dra ur sladden till laddaren innan du rengör den. Laddaren behöver inget annat underhåll än regelbunden rengöring.
- ◆ Rengör regelbundet redskapets/verktygets/laddarens luftintag med en mjuk borste eller torr trasa.
- ◆ Rengör motor kåpan regelbundet med en fuktig trasa. Använd aldrig något slipande eller lösningsmedelsbaserat rengöringsmedel.
- ◆ Öppna chucken (där sådan finns) med jämna mellanrum och knocka på den för att avlägsna damm som sitter på insidan.

### Byte av elkontakten (endast Storbritannien och Irland)

Om en ny elkontakt måste monteras:

- ◆ Gör dig av med den gamla kontakten på lämpligt sätt.
- ◆ Anslut den bruna ledningen till den strömförande anslutningen i den nya kontakten.
- ◆ Anslut den blå ledningen till den icke strömförande anslutningen.

**Varning!** Ingenting bör kopplas till jordanslutningen. Följ de monteringsanvisningar som följer med kontakter av god kvalitet. Rekommenderad säkring: 5 A.

## Skydda miljön

Separat insamling. Produkter och batterier som är markerade med denna symbol får inte kastas i de vanliga hushållssoporna. Produkter och batterier innehåller material som kan återanvändas eller återvinnas för att minska behovet av råmaterial.

Återvinn elektriska produkter och batterier enligt lokala föreskrifter.

Närmare information finns tillgänglig på [www.2helpU.com](http://www.2helpU.com)

Undertecknad är ansvarig för sammanställningen av tekniska data och gör denna försäkran för Black & Decker.



Ed Higgins

VD - Motordrivna konsumentverktyg  
Black & Decker Europe, 270 Bath Road, Slough,  
Berkshire, SL1 4DX  
Storbritannien  
2020-06-30

## Tekniska data

		BEH550	BEH710
Nominell effekt	$V_{AC}$	550	710
Obelastat varvtal	$\text{min}^{-1}$	0 - 2800	0 - 2800
Slaghastighet	$\text{min}^{-1}$	0 - 47600	0 - 47600
Vikt	kg	1.7	1.76
Maximal borrkapacitet			
Betong	mm	13	13
Stål	mm	13	13
Trä	mm	25	25

### BEH550 Ljudtrycksnivå enligt EN 62841:

Ljudtryck ( $L_{pA}$ ) 93,5 dB(A), osäkerhet (K) 5 dB(A)

Ljudeffekt ( $L_{WA}$ ) 104,5 dB(A), osäkerhet (K) 5 dB(A)

### BEH710 Ljudnivå enligt EN 62841:

Ljudtryck ( $L_{pA}$ ) 95,5 dB(A), osäkerhet (K) 5 dB(A)

Ljudeffekt ( $L_{WA}$ ) 106,5 dB(A), osäkerhet (K) 5 dB(A)

### BEH550 Totala vibrationsvärden (vektorsumman av tre axlar) enligt EN 62841:

Slagborrning i betong ( $a_{h, D}$ ) 14,8  $\text{m/s}^2$ , osäkerhet (K) 1,5  $\text{m/s}^2$

Metallborrning ( $a_{h, D}$ ) 1,8  $\text{m/s}^2$ , osäkerhet (K) 1,5  $\text{m/s}^2$

### BEH710 Totala vibrationsvärden (vektorsumman av tre axlar) enligt EN 62841:

Slagborrning i betong ( $a_{h, D}$ ) 16,2  $\text{m/s}^2$ , osäkerhet (K) 1,5  $\text{m/s}^2$

Metallborrning ( $a_{h, D}$ ) 1,9  $\text{m/s}^2$ , osäkerhet (K) 1,5  $\text{m/s}^2$

## EG-försäkran om överensstämmelse

MASKINDIREKTIVET



BEH550, BEH710 slagborrmaskin

Black & Decker försäkrar att dessa produkter, beskrivna under "tekniska data" uppfyller:

EN62841-1:2015, EN 62841-2-1:2018+A11:2019.

Dessa produkter överensstämmer även med direktiven 2006/42/EG, 2014/30/EU and 2011/65/EU. Mer information får du genom att kontakta Black & Decker på följande adress eller titta i slutet av bruksanvisningen.

## Garanti

Black & Decker är säker på kvaliteten hos denna produkt och erbjuder kunder 24 månaders garanti från inköpsdatumet. Denna garanti är ett tillägg till dina lagstadgade rättigheter och påverkar inte dessa på något sätt. Garantin är giltig i de områden som tillhör medlemsstaterna i Europeiska unionen och det europeiska frihandelsområdet.

För yrkande under garantin måste yrkandet vara inlighet med Black & Deckers villkor och du kommer att behöva skicka in bevis på köpet till försäljaren eller en auktoriserad reparatör. Villkoren för Black & Deckers tvååriga garanti och var du hittar din närmaste auktoriserade reparatör kan erhållas på Internet på [www.2helpU.com](http://www.2helpU.com), eller genom att kontakta ditt lokala Black & Decker kontor på adressen som angetts i denna bruksanvisning.

Besök vår webbplats [www.blackanddecker.se](http://www.blackanddecker.se) för att registrera din nya Black & Decker-produkt samt för att få information om nya produkter och specialerbjudanden.

## Tiltenkt bruk

Slagdrillene av typene BLACK+DECKER BEH550, BEH710, er designet for boring i tre, metall, plast og mur og for bruk som skrutrekker. Dette verktøyet er bare ment som et forbrukerverktøy.

## Sikkerhetsinstruksjoner

### Generelle sikkerhetsadvarsler for elektroverktøy



**Advarsel! Les alle sikkerhetsanvisninger, instruksjoner, illustrasjoner og spesifikasjoner som følger dette elektriske verktøyet.** Manglende overholdelse av instruksjonene som er listet opp under kan resultere i elektrosjokk, ild og/eller alvorlig skade.

**Ta vare på alle advarsler og instruksjoner for fremtidig bruk.** Begrepet «elektroverktøy» i advarslene nedenfor gjelder nettdrevet elektroverktøy (med ledning) eller batteridrevet elektroverktøy (uten ledning).

#### 1. Sikkerhet i arbeidsområdet

- Hold arbeidsområdet rent og godt opplyst.** Rotete eller mørke områder er en invitasjon til ulykker.
- Ikke bruk verktøy i eksplosive omgivelser, slik som i nærheten av antennelige væsker, gasser eller støv.** Elektrisk verktøy skaper gnister som kan antenne støv eller gasser.
- Hold barn og andre personer unna når du bruker et elektroverktøy.** Hvis du blir forstyrret under arbeidet, kan du miste kontrollen.

#### 2. Elektrisk sikkerhet

- Støpselet til elektroverktøy må passe i stikkkontakten. Aldri modifier støpselet på noen måte. Ikke bruk adapterstøpsler til jordede elektriske verktøy.** Umodifiserte støpsler og stikkontakter som passer vil redusere risikoen for elektrisk sjokk.
- Unngå kroppskontakt med jordede overflater som rør, radiatorer, komfyrer og kjøleskap.** Det er økt fare for elektrisk støt dersom kroppen din er jordat.
- Hold elektroverktøy unna regn eller fuktighet.** Dersom det kommer vann i et elektroverktøy, øker faren for elektrisk støt.
- Unngå uforsvarlig behandling av ledningen. Aldri bruk ledningen til å bære, trekke eller dra ut støpselet til det elektriske verktøyet.** Hold ledningen borte fra varme, olje, skarpe kanter eller bevegelige deler. Skadede eller innviklede ledninger øker risikoen for elektrisk sjokk.
- Når du bruker et elektroverktøy utendørs, må du bruke en skjøteledning som er egnet for utendørs bruk.** Når du bruker en skjøteledning som er egnet for utendørs bruk, reduseres risikoen for elektrisk støt.

- Dersom bruk av et elektrisk verktøy på et fuktig sted er uunngåelig, bruk en strømkilde med jordfeilbryter (RCD).** Bruk av jordfeilbryter (RCD) reduserer risikoen for elektrisk støt.

#### 3. Personlig sikkerhet

- Vær oppmerksom, pass på hva du gjør, og vis fornuft når du arbeider med et elektroverktøy. Ikke bruk et elektrisk verktøy dersom du er trøtt eller er påvirket av medikamenter, narkotika eller alkohol.** Ett øyeblikks uoppmerksomhet under bruk av elektriske verktøy kan føre til alvorlig personskade.
- Bruk personlig verneutstyr. Bruk alltid vernebriller.** Verneutstyr slik som støvmaske, sklisikre vernesko, hjelm, eller hørselsvern brukt under passende forhold vil redusere personskader.
- Unngå utilsiktet oppstart. Kontroller at bryteren står i posisjon «av» før du kobler til strømkilden og/eller batteripakken, og før du tar opp eller bærer verktøyet.** Å bære elektriske verktøy med fingeren på bryteren eller å sette inn støpselet mens elektriske verktøy har bryteren på øker faren for ulykker.
- Fjern eventuelle justeringsnøkler før du slår på det elektriske verktøyet.** En nøkkel som er festet til en roterende del av det elektriske verktøyet kan føre til personskade.
- Ikke strekk deg for langt. Ha godt fotfeste og stå støtt hele tiden.** Dette fører til at du har bedre kontroll over det elektriske verktøyet ved uventede situasjoner.
- Bruk egnet antrekk. Ikke ha på deg løstsittende klær eller smykker. Hold hår, antrekk og hansker borte fra bevegelige deler.** Løstsittende klær, smykker og langt hår kan bli fanget opp av bevegelige deler.
- Hvis det kan monteres støvavsug- og oppsamlingsinnretninger, må du forvise deg om at disse er tilkoblet og brukes på riktig måte.** Bruk av støvoppsamlere kan redusere støvrelaterte farer.
- Ikke la erfaring med hyppig bruk av verktøy la deg bli likegyldig og ignorere verktøyet sikkerhetsregler. En uforsiktig handling kan føre til alvorlig personskade på brøkdelen av et sekund.**

#### 4. Bruk og vedlikehold av elektriske verktøy

- Ikke bruk makt på elektroverktøyet. Bruk det elektriske verktøyet som situasjonen krever.** Det riktige elektriske verktøyet vil gjøre jobben bedre og tryggere ved den hastigheten det ble konstruert for.
- Ikke bruk elektroverktøyet hvis du ikke kan slå det på og av med bryteren.** Ethvert elektrisk verktøy som ikke kan kontrolleres med bryteren er farlig og må repareres.

- c. **Trekk støpselet ut av stikkkontakten og/eller koble fra batteripakken, hvis den er avtakbar, fra elektroverktøyet før du foretar noen justeringer, endrer tilbehør, e eller lagrer elektroverktøyet.** Slike preventive sikkerhetsforanstaltninger reduserer risikoen for å starte det elektriske verktøyet ved et uhell.
  - d. **Elektroverktøy som ikke er i bruk, må oppbevares utilgjengelig for barn. Ikke la verktøyet bli brukt av personer som ikke er fortrolig med det, eller som ikke har lest denne bruksanvisningen.** Elektriske verktøy er farlige i hendene på utrenede brukere.
  - e. **Sørg for vedlikehold av elektroverktøy og tilbehør. Undersøk om bevegelige deler er feiljustert eller blokkert, om deler er skadet, og om det er andre forhold som kan påvirke elektroverktøyet funksjon. Dersom det er skadet, få verktøyet reparert før neste bruk.** Mange ulykker forårsakes av dårlig vedlikeholdte verktøy.
  - f. **Hold skjæreverktøy skarpe og rene.** Godt vedlikeholdte skjæreverktøy med skarpe skjærekanter setter seg mindre sannsynlig fast og er lettere å kontrollere.
  - g. **Bruk elektroverktøy, tilbehør, bits osv. i henhold til disse instruksjonene. Ta hensyn til arbeidsforholdene og arbeidet som skal utføres.** Bruk av det elektriske verktøyet for oppgaver som er forskjellige fra de som er tiltenkt kan føre til en farlig situasjon.
  - h. **Hold håndtakene og gripeflatene tørre, rene og frie for olje og fett. Glatte håndtak og gripeflater forhindrer trygg håndtering og kontroll av verktøyet i uventede situasjoner.**
- 5. Service**
- a. **Elektroverktøy skal alltid repareres av kvalifisert personell og bare med originale reservedeler.** Dette vil sikre at verktøyet sikkerhet blir ivaretatt.

### Sikkerhetsinstruksjoner for all bruk

- **Bruk hørselsvern ved slagboring.** Å bli utsatt for støy kan forårsake hørselstap.
- **Bruk hjelpehåndtaket.** Å miste kontroll kan forårsake personskade.
- **Hold verktøyet ordentlig fast før bruk.** Dette verktøyet produserer et høyt kraftmoment, og hvis du ikke fester det ordentlig, kan du miste kontroll over verktøyet og under bruk, som kan føre til personskade.
- **Elektroverktøyet bare i de isolerte grepene når du utfører et arbeid hvor skjæretilbehøret kan komme i kontakt med skjulte ledninger eller sin egen kabel.** Hvis skjæretilbehøret kommer i kontakt med en strømførende ledning, kan frittliggende metaldeler på verktøyet bli strømførende, og brukeren kan få elektrisk støt.

### Sikkerhetsinstruksjoner ved bruk av lange bor

- **Bruk aldri ved høyere hastigheter enn maks hastighet for boret.** Ved høyere hastigheter er det en sjanse for at boret bøyer seg hvis den roterer fritt uten kontakt med arbeidsstykket.
- **Start alltid å bore ved lav hastighet, og med enden av boret i kontakt med arbeidsstykket.** Ved høyere hastigheter er det en sjanse for at boret bøyer seg hvis den roterer fritt uten kontakt med arbeidsstykket.
- **Påfør kun trykk i en rett linje med boret, og trykk ikke for hardt.** Boret kan bli bøyd eller ødelagt, eller det kan føre til tap av kontroll eller personskade.

### Ekstra sikkerhetsregler spesielt for boremaskin/ trekker/slagboremaskin

- **Bruk tvinger eller annen praktisk måte å sikre og holde arbeidsstykket på et stabilt underlag.** Å holde arbeidsstykket i hendene eller mot kroppen er ustabil og kan føre til at du mister kontroll.
- **Tilbehør og verktøy kan bli varme under bruk.** Bruk hansker ved håndtering dersom det utføres arbeid som genererer varme, som boring i metall.
- **Luftehull dekker ofte bevegelige deler og skal unngås.** Løstsittende klær, smykker og langt hår kan bli fanget opp av bevegelige deler.
- **Bruk vernebriller eller annen øyeskyttelse.** Hammer- og boreoperasjoner gjør at fliser flyr gjennom luften. Flyvende partikler kan forårsake permanent øyeskade.
- **Bruk hørselsvern ved slagboring.** Å bli utsatt for støy kan forårsake hørselstap.
- **Bruk hjelpehåndtakene dersom de leveres med verktøyet.** Å miste kontroll kan forårsake personskade.
- **Bruk ikke dette verktøyet i lange perioder.** Vibrasjon forårsaket av verktøyet kan skade hendene og armene. Bruk hansker for å gi ekstra polstring og begrense risikoen ved å hvile ofte.

### Andre personers sikkerhet

- Dette apparatet kan brukes av barn som er 8 år eller eldre samt av personer som har reduserte fysiske, sansemessige eller mentale evner, eller som mangler erfaring og kunnskap, hvis de har tilsyn eller har fått veiledning i bruk av apparatet på en trygg måte og forstår farene som foreligger.
- Barn skal ikke leke med apparatet. Rengjøring og brukervedlikehold skal ikke utføres av barn uten tilsyn.

### Restrisikoer

Når verktøyet brukes, kan det oppstå ytterligere risikoer som kanskje ikke er beskrevet i de medfølgende sikkerhetsadvarslene. Disse risikoene kan bli forårsaket av feil bruk, langvarig bruk osv.

Selv om de relevante sikkerhetsbestemmelsene blir fulgt, og sikkerhetstiltakene blir gjennomført, kan visse gjenværende risikoer ikke unngås. Disse inkluderer:

- Personskader som forårsakes av berøring av en roterende/bevegelig del.
- Personskader som skyldes skifte av deler, blad eller tilbehør.
- Personskader som forårsakes av langvarig bruk av et verktøy. Når du bruker et verktøy i lange perioder, må du sørge for å ta regelmessige pauser.
- Hørselskader.
- Helsefarer som skyldes innånding av støv som dannes når du bruker verktøyet (for eksempel under arbeid med tre, spesielt eik, bøk og MDF.)

## Vibrasjon

Vibrasjonsemisjonsverdien som er angitt under tekniske data og samsvarserklæring, er blitt målt i henhold til en standard testmetode som er angitt i EN62841, og kan brukes til å sammenligne et verktøy med et annet. Den oppgitte vibrasjonsemisjonsverdien kan også brukes til en foreløpig vurdering av eksponering.



**Advarsel!** Vibrasjonsemisjonsverdien under faktisk bruk av elektroverktøyet kan avvike fra den oppgitte verdien avhengig av måten verktøyet blir brukt på. Vibrasjonsnivået kan øke over nivået som er oppgitt.

Under vurdering av vibrasjonseksponering for å bestemme sikkerhetstiltak som kreves i 2002/44/EF for å beskytte personer som bruker elektroverktøy regelmessig i arbeidet, skal det tas hensyn til de faktiske bruksforholdene og måten verktøyet blir brukt på. Dette gjelder alle deler av brukssyklusen – også de gangene verktøyet er slått av, når det går på tomgang, samt tiden utløseren er inne.

## Etiketter på verktøyet

Følgende symboler vises på verktøyet sammen med datokoden:



**Advarsel!** Brukeren må lese håndboken for å redusere risikoen for personskade.



Bruk hørselvern når du bruker slagverktøy. Å bli utsatt for støv kan forårsake hørselstap

## Elektrisk sikkerhet



Dette verktøyet er dobbeltisolert. Jording er derfor ikke nødvendig. Kontroller alltid at strømforsyningen samsvarer med spenningen på merkeskiltet.

- Hvis strømfledningen blir skadet, må den byttes av produsenten eller et autorisert BLACK+DECKER-servicesenter for å unngå fare.

1. Bryter for variabel hastighet

2. Låseknapp
3. Bryter for fremover/bakover
4. Boremodusvelger
5. Chuck
6. Chucklås
7. Sidehåndtak

## Montering

**Advarsel!** Før monteringen må du passe på at verktøyet er slått av, og at støpselet er trukket ut.

## Montere sidehåndtaket (figur A)

- ◆ Vri knotten (7c) mot klokken til du kan skyve sidehåndtaket (7) inn på forsiden av verktøyet som vist.
- ◆ Vri sidehåndtaket til ønsket stilling, pass på at hakkene (7a) festes i hjulet (7b).
- ◆ Stram sidehåndtaket ved å vri knotten (7c) med klokken.

**Merk:** Sidehåndtaket kan posisjoneres etter personlig ønske.

## Sette på et tilbehør (figur B)

- ◆ Trykk inn chucklåsen (6)
- ◆ Åpne chucken ved å dreie mansjetten (5) mot klokken.
- ◆ Sett bitskafet (8) inn i chucken.
- ◆ Stram chucken ved å dreie mansjetten med klokken.

## Bruk

**Advarsel!** La verktøyet arbeide i sin egen hastighet. Må ikke overbelastes.

**Advarsel!** Før du borer i vegger, gulv eller tak, kontrollerer du plasseringen av kabler og rør.

## Slå på og av (figur C)

- ◆ Når du skal slå verktøyet på, trykker du på bryteren for variabel hastighet (1). Hastigheten til verktøyet avhenger av hvor langt inn du trykker bryteren.
- ◆ Hvis du ønsker å holde verktøyet i kontinuerlig drift, trykker du inn låseknappen (2) og slipper knappen for variabel hastighet. Dette alternativet fungerer ikke ved rotasjon bakover.
- u Når du skal slå av verktøyet, slipper du knappen for variabel hastighet. Hvis du vil slå av verktøyet mens det går kontinuerlig, trykker du inn bryteren for variabel hastighet én gang til og slipper den. Hold verktøyet som vist i figur G.

## Velge rotasjonsretning (figur D)

For boring og strammung av skruer brukes rotasjon fremover (med klokken). For løsning av skruer eller fjerning av bor som sitter fast, brukes rotasjon bakover (mot klokken).

- ◆ Når du skal velge rotasjon fremover, skyver du glidebryteren (3) for fremover/bakover til venstre.
- ◆ Når du skal velge rotasjon bakover, skyver du glidebryteren til høyre.

**Advarsel!** Du må aldri skifte rotasjonsretning mens motoren går.

### Velge brukboremodus (figur E)

- ◆ Hvis du skal slagbore i mur og betong, setter du boremodusvelgeren (4) til posisjon **T**.
- ◆ For boring i stål, tre og plast setter du bruksmodusvelgeren (4) i posisjon **1**.

### Tilbehør

Verktøyet yelse avhenger av hva slags tilbehør som brukes. Tilbehør fra BLACK+DECKER er produsert etter høye kvalitetsstandarder og er konstruert for å bedre verktøyet yelse. Hvis du bruker dette tilbehøret, får du mest mulig ut av verktøyet ditt.

### Vedlikehold

BLACK+DECKER maskinen/-verktøyet med eller uten ledning er laget for å brukes over lang tid med et minimum av vedlikehold. For at den skal fungere tilfredsstillende over tid, er det viktig å sørge for riktig stell av verktøyet og regelmessig renhold.

**Advarsel!** Før du utfører vedlikehold på elektriskdrevet/batteridrevet elektroverktøy:

- ◆ Slå av apparatet/verktøyet og trekk ut støpselet.
- ◆ Eller slå av apparatet/verktøyet og ta ut batteriet hvis apparatet/verktøyet har separat batteripakke.
- ◆ Eller la batteriet gå helt tomt hvis det er innebygd, og slå deretter av.
- ◆ Trekk ut laderen fra stikkkontakten før rengjøring. Laderen krever ikke annet vedlikehold enn regelmessig rengjøring.
- ◆ Rengjør ventilasjonsåpningene i apparatet/verktøyet/laderen regelmessig med en myk børste eller tørr klut.
- ◆ Rengjør motorhuset regelmessig med en fuktig klut. Ikke bruk slipende eller løsemiddelbaserte rengjøringsmidler.
- ◆ Åpne chucken regelmessig, og bank på den for å fjerne eventuelt støv fra innsiden (hvis det er aktuelt).

### Skifte støpsel (bare Storbritannia og Irland)

Dersom du trenger å sette på et nytt støpsel:

- ◆ Kast det gamle støpselet på en trygg måte.
- ◆ Koble den brune ledningen til den strømførende terminalen i det nye støpselet.
- ◆ Koble den blå ledningen til den nøytrale terminalen.

**Advarsel!** Jordingslederen skal ikke kobles til. Følg monteringsanvisningen som medfølger støpsler av god kvalitet. Anbefalt sikring: 5 A.

### Miljøvern

Separat avfallshåndtering. Produkter og batterier merket med dette symbolet skal ikke kastes i vanlig husholdningsavfall.

Produkter og batterier inneholder materialer som kan gjenbrukes eller gjenvinnes for å redusere behovet for nye råmaterialer.

Vennligst lever elektrisk utstyr og batterier til gjenbruk i henhold til lokale retningslinjer.

Mer informasjon finner du på [www.2helpU.com](http://www.2helpU.com)

### Tekniske data

		BEH550	BEH710
Nominell effekt	$V_{AC}$	550	710
Ubelastet hastighet	$\text{min}^{-1}$	0 ~ 2800	0 ~ 2800
Slagfrekvens	$\text{min}^{-1}$	0 ~ 47600	0 ~ 47600
Vekt	kg	1,7	1,76
<b>Maks borekapasitet</b>			
Betong	mm	13	13
Stål	mm	13	13
Tre	mm	25	25

BEH550 Lydtrykknivå målt i henhold til EN 62841:	
Lydtrykk ( $L_{pA}$ )	93,5 dB(A), usikkerhet (K) 5 dB(A)
Lydeffekt ( $L_{WA}$ )	104,5 dB(A), usikkerhet (K) 5 dB(A)

BEH710 Lydtrykknivå målt i henhold til EN 62841:	
Lydtrykk ( $L_{pA}$ )	95,5 dB(A), usikkerhet (K) 5 dB(A)
Lydeffekt ( $L_{WA}$ )	106,5 dB(A), usikkerhet (K) 5 dB(A)

BEH550 otale vibrasjonsverdier (vektorsum fra tre retninger) i henhold til EN 62841:	
Slagboring i betong ( $a_{h, D}$ )	14,8 $\text{m/s}^2$ , usikkerhet (K) 1,5 $\text{m/s}^2$
Boring i metall ( $a_{h, D}$ )	1,8 $\text{m/s}^2$ , usikkerhet (K) 1,5 $\text{m/s}^2$

BEH710 Totale vibrasjonsverdier (vektorsum fra tre retninger) i henhold til EN 62841:	
Slagboring i betong ( $a_{h, D}$ )	16,2 $\text{m/s}^2$ , usikkerhet (K) 1,5 $\text{m/s}^2$
Boring i metall ( $a_{h, D}$ )	1,9 $\text{m/s}^2$ , usikkerhet (K) 1,5 $\text{m/s}^2$

### EF-samsvarserklæring

MASKINDIREKTIVET



BEH550, BEH710 Slagdrill

Black & Decker erklærer at disse produktene, som er beskrevet under "Tekniske data", er i samsvar med: EN62841-1:2015, EN 62841-2-1:2018+A11:2019.

Disse produktene er også i samsvar med direktiv 2006/42/EF, 2014/30/EU og 2011/65/EU. Hvis du ønsker mer informasjon, kontakt Black & Decker på adressen nedenfor, eller se på baksiden av bruksanvisningen.

Undertegnede er ansvarlig for utarbeidelsen av den tekniske dokumentasjonen og gir denne erklæringen på vegne av Black & Decker.



Ed Higgins  
Director – Consumer Power Tools  
Black & Decker Europe, 270 Bath Road, Slough,  
Berkshire, SL1 4DX  
Storbritannia  
30.06.2020

## Tilsigtet bruk

Dit BLACK+DECKER BEH550, BEH710 slagbor er designet til boring i tre, metal, plastikk og murværk og som skruetrækker. Værktøjet er kun beregnet til privat bruk.

## Sikkerhedsinstruksjoner

### Generelle sikkerhedsadvarsler vedrørende elværtøjet



**Advarse!! Læs alle sikkerhedsadvarsler, instruksjoner, illustrationer og spesifikasjoner, der følger med dette elværtøjet.** Manglende overholdelse af alle nedenstående instruksjoner kan medføre elektrisk stød, brand og/eller alvorlige kvæstelser.

### Gem alle advarsler og instruksjoner til fremtidig reference.

Begrebet "elværtøjet", der benyttes i nedenstående advarsler, henviser til nettdrevne (med netledning) eller batteridrevne maskiner (uden netledning).

#### 1. Sikkerhed i arbeidsområdet

- Sørg for, at arbeidsområdet er rent og godt opplyst.** Rodede eller mørke områder gir anledning til ulykker.
- Brug ikke elværtøjet i eksplosive omgivelser, f.eks. hvor der er brændbare væsker, gasser eller støv.** Elværtøjet danner gnister, der kan antænde støv eller dampe.
- Hold børn og andre personer på afstand, når et elværtøjet er i bruk.** Distraksjoner kan medføre, at du mister kontrollen.

#### 2. Elektrisitet og sikkerhed

- Elværtøjsstikk skal passe til stikkkontakten. Stikket må aldri modificeres på nogen måte. Undlad at bruke adapterstikk sammen med (jordforbundet) elektrisk værktøjet.** Umodifiserte stikk og dertil passende stikkontakter reduserer risikoen for elektrisk stød.
- Undgå kropskontakt med jordforbundne overflader som f.eks. rør, radiatorer, komfurer og kjøleskabe.** Der er øget risiko for elektrisk stød, hvis din kropp er jordforbundet.
- Elværtøjet må ikke utsættes for regn eller fugt.** Hvis der trænger vand ind i et elektrisk værktøjet, øges risikoen for elektrisk stød.
- Ødelæg ikke ledningen. Brug aldri ledningen til at bære, trække værktøjet eller trække det ud af stikkkontakten.** Hold ledningen borte fra varme, olie, skarpe kanter og bevægelige dele. Beskadigede eller sammenfiltrede ledninger øger risikoen for elektrisk stød.
- Hvis elværtøjet benyttes i det fri, skal der benyttes en forlængerledning, som er godkendt til udendørs bruk.** Brug af en ledning, der er egnet til udendørs bruk, reduserer risikoen for elektrisk stød.

## Garanti

Black & Decker er trygg på kvaliteten av produktene sine og tilbyr en 24 måneders garanti fra kjøpsdato. Denne garantierklæringen kommer i tillegg til dine lovbestemte rettigheter og er ikke i konflikt med disse. Garantien er gyldig innen områdene tilhørende medlemslandene i den Europeiske Union (EU) og det Europeiske Frihandelsområdet (EFTA).

For å ta garantien i bruk må kravet være i samsvar med kjøpsbetingelsene fra Black&Decker og du må vise kjøpskvittering til forhandleren eller til et autorisert serviceverksted. Betingelsene for Black & Deckers 2 års garanti og adressen til din nærmeste autoriserte serviceverksted kan du finne på internett under [www.2helpU.com](http://www.2helpU.com), eller ved å kontakte ditt lokale Black & Decker kontor, adressen er angitt i denne bruksanvisningen.

Besøk våre nettsider på [www.blackanddecker.no](http://www.blackanddecker.no) for å registrere ditt nye Black & Decker-produkt og for å få informasjon om nye produkter og spesialtilbud.



- f. **Brug en strømkilde med fejlstrømsbeskyttelse, hvis det er uundgåeligt at anvende elværktøj på fugtige steder.** Ved at benytte en fejlstrømsafbryder reduceres risikoen for elektrisk stød.
3. **Personssikkerhed**
- a. **Vær opmærksom, hold øje med, hvad du laver, og brug elværktøjet fornuftigt.** Betjen ikke værktøjet, hvis du er træt, påvirket af narkotika, alkohol eller medicin. Et øjeblikvis uopmærksomhed under anvendelse af et elektrisk værktøj kan forårsage alvorlige kvæstelser.
- b. **Anvend personligt beskyttelsesudstyr. Bær altid beskyttelsesbriller.** Det er muligt at reducere risikoen for kvæstelser ved alt efter omstændighederne at anvende det passende sikkerhedsudstyr såsom en støvmaske, skridsikre sikkerhedssko, sikkerhedshjelm eller høreværn.
- c. **Sørg for, at værktøjet ikke kan starte utilsigtet. Kontrollér, at afbryderkontakten står på slukket, inden værktøjet tilsluttes strømkilden og/eller batteriet, samles op eller bæres.** Når elektrisk værktøj bæres med fingrene på kontakten eller tilsluttes, når kontakten er tændt, giver det anledning til ulykker.
- d. **Fjern indstillingsværktøj eller skruenøgle, inden elværktøjet tændes.** En skruenøgle eller anden nøgle, der bliver siddende på en roterende del af elektrisk værktøj, kan give anledning til personskaade.
- e. **Undlad at række for langt. Hold hele tiden en god fodstilling og balance.** Dette udgør at du har bedre kontrol over det elektriske værktøj, når uventede situationer opstår.
- f. **Bær hensigtsmæssig påklædning. Bær ikke løst tøj eller smykker. Hold dit hår, tøj og handsker væk fra bevægelige dele.** Løstsiddende tøj, smykker eller langt hår kan blive fanget i bevægelige dele.
- g. **Hvis støvudsugnings- og opsamlingsudstyr kan monteres, er det vigtigt, at dette tilsluttes og benyttes korrekt.** Anvendelse af støvsamlingsudstyr kan begrænse farer forårsaget af støv.
- h. **Lad ikke kendskab fra hyppig brug af værktøjer gøre dig uforsigtig og få dig til at ignorere principperne for værktøjsikkerhed. En uforsigtig handling kan forårsage alvorlig personskaade på en brøkdæl af et sekund.**
4. **Brug og vedligeholdelse af elværktøj**
- a. **Undgå at overbelaste elværktøjet. Brug det elværktøj, der er bedst egnet til det arbejde, der skal udføres.** Det korrekte elværktøj klarer opgaven bedre og mere sikkert med den effekt, som det er konstrueret til.
- b. **Brug ikke elværktøjet, hvis afbryderen er defekt.** Alt elektrisk værktøj, der ikke kan kontrolleres med kontakten, er farligt og skal repareres.
- c. **Træk stikket ud af stikkontakten og/eller fjern batterienheden fra det elektriske værktøj, hvis det kan udtages, før det elektriske værktøj justeres, dets tilbehør udskiftes, Eller det stilles til opbevaring.** Sådanne forebyggende sikkerhedsforanstaltninger mindsker risikoen for, at værktøjet startes utilsigtet.
- d. **Opbevar ubenyttet elværktøj uden for børns rækkevidde. Elværktøjet må ikke bruges af personer, der ikke er fortrolige med det, eller som ikke har gennemlæst disse instruktioner.** El-værktøj er farligt i hænderne på personer, som ikke er instrueret i brugen deraf.
- e. **Elværktøj og tilbehør skal vedligeholdes. Kontroller, om bevægelige dele er skæve og ikke sidder fast, og om delene er brækket eller beskadiget, så elværktøjets funktion påvirkes. Hvis det elektriske værktøj er beskadiget, skal det repareres før brug.** Mange ulykker er forårsaget af dårligt vedligeholdt værktøj.
- f. **Sørg for, at skæreværktøjer er skarpe og rene.** Ordentligt vedligeholdt skæreværktøj med skarpe skærekanter har mindre tilbøjelighed til at binde og er lettere at styre.
- g. **Brug elværktøjet, tilbehøret, indsatsværktøj osv. i overensstemmelse med disse instruktioner under hensyntagen til arbejdsforholdene og arbejdet, der skal udføres med værktøjet.** Brug af elektrisk værktøj til andre opgaver end dem, det er beregnet til, kan resultere i en farlig situation.
- h. **Hold håndtagene og håndtagsfladerne tørre, rene og fri for olie og fedt. Glatte håndtag og gribeblader giver ikke en sikker håndtering og kontrol af værktøjet i uventede situationer.**
5. **Service**
- a. **Få altid elværktøjet repareret af kvalificerede fagfolk udelukkende med identiske reservedele.** Derved sikres det, at værktøjets driftssikkerhed opretholdes.
- Sikkerhedsinstruktioner til al brug**
- **Bær høreværn når du arbejder med slagboring.** Udsættelse for støj kan medføre høretab.
  - **Brug de(t) ekstra håndtag.** Tab af kontrol kan medføre personskaade.
  - **Afstiv værktøjet grundigt før brug.** Dette værktøj producerer et højt udgangsmoment, og uden korrekt afstivning af værktøjet under drift, kan du miste kontrollen, hvilket kan resultere i personskaade.
  - **I elværktøjets isolerede gribeblader, hvis der er risiko for, at skæretilbehøret kommer i kontakt med skjulte ledninger eller værktøjets egen ledning.** Hvis skæretilbehøret rammer en strømførende ledning, bliver elværktøjets blotlagte dele strømførende, så brugeren får stød.

## Sikkerhedsinstruktioner for at anvende lange borekroner

- **Brug aldrig hurtigere hastighed end det maksimale angivet på borekronen.** Ved højere hastigheder vil boret sandsynligvis bøjes, hvis det får lov til at rotere frit uden at komme i berøring med emnet, hvilket kan resultere i personskade.
- **Start altid med at bore ved lav hastighed og med spidsen af boret i kontakt med overfladen.** Ved højere hastigheder vil boret sandsynligvis bøjes, hvis det får lov til at rotere frit uden at komme i berøring med emnet, hvilket kan resultere i personskade.
- **Begynd altid med at bore i lav hastighed og med borespidsen i kontakt med emnet.** Bor kan bøje og forårsage brud eller tab af kontrol, hvilket kan resultere i personskade.

## Ekstra sikkerhedsadvarsler for bor/drivværk/hammerbor

- Brug klemmer eller en anden praktisk måde på at sikre og understøtte arbejdsemnet til et stabilt underlag. Hvis du holder fast i arbejdsemnet med din hånd eller krop, vil det være ustabil, og det kan medføre, at du mister kontrollen over det.
- Tilbehør og værktøj kan blive varme under drift. Bær handsker under arbejde med dem, hvis du udfører varmfremkaldende opgaver som fx boring af metaller.
- Luftaftræk dækker ofte over bevægelige dele og bør undgås. Løstsiddende tøj, smykker eller langt hår kan blive fanget i bevægelige dele.
- Bær sikkerhedsbriller eller anden beskyttelse af øjnene. Hammer- og borefunktioner kan medføre flyvende splinter. Flyvende partikler kan forårsage permanente øjenskader.
- Bær høreværn når du arbejder med slagboring. Udsættelse for støj kan medføre høretab.
- Anvend hjælpehåndtag, hvis leveret sammen med værktøjet. Tab af kontrol kan medføre personskade.
- Arbejd ikke med dette værktøj i længere tid ad gangen. Vibrationer fra værktøjet kan beskadige dine hænder og arme. Brug handsker som ekstra stødpude og begræns risikoen ved at holde hyppige pauser.

## Andres sikkerhed

- Dette apparat kan bruges af børn i en alder fra 8 år og derover og personer med nedsatte fysiske, sensoriske eller mentale evner eller manglende erfaring og viden, hvis det sker under overvågning, eller de vejledes i brugen af apparatet på en sikker måde, og de forstår de farer, som er forbundet dermed.
- Børn må ikke lege med apparatet. Rengøring og brugervedligeholdelse må ikke foretages af børn uden opsyn.

## Tilbageværende risici

Der kan opstå yderligere, tilbageværende risici under brugen af apparatet, som muligvis ikke behandles i de vedlagte sikkerhedsadvarsler. Disse risici kan opstå pga. forkert anvendelse, langvarig brug etc.

Selv ved overholdelse af relevante sikkerhedsforskrifter og anvendelse af sikkerhedsudstyr kan visse resterende risici ikke undgås. Disse omfatter:

- Tilskadecomst forårsaget af berøring af roterende/bevægelige dele.
- Tilskadecomst forårsaget af udskiftning af dele, klinger eller tilbehør.
- Tilskadecomst forårsaget af langvarig brug af et apparat. Husk at holde pause jævnligt ved brug af et apparat i længere tid.
- Hørenedsættelse.
- Sundhedsrisici forårsaget af indånding af støv, der genereres ved brug af værktøjet (eksempel: Arbejde med træ, især eg, bøg og MDF.)

## Vibration

De angivne værdier for udsendelse af vibration anført under de tekniske data og overensstemmelseserklæringen er målt i henhold til standardtestmetoden i EN62841 og kan bruges til at sammenligne ét værktøj med et andet. Den angivne vibrationsmissionsværdi kan også bruges i forbindelse med en foreløbig vurdering af eksponeringen.



**Advarsel!** Værdien for vibrationsmission ved faktisk brug af elværktøjet kan afvige fra den angivne værdi afhængig af måden, værktøjet anvendes på. Vibrationsniveauet kan overstige det angivne niveau.

I vurderingen af eksponeringen for vibration med henblik på fastsættelse af sikkerhedsforanstaltninger som krævet i 2002/44/EF til beskyttelse af personer, der jævnligt anvender elværktøj i deres arbejde, skal der tages hensyn til de faktiske betingelser under brugen, og måden værktøjet bruges på, herunder alle arbejdsrytters afsnit, f.eks. perioder, hvor værktøjet er slukket, og hvor det kører i tomgang, tillige med startperioderne.

## Mærkatere på værktøjet

Værktøjet er forsynet med følgende piktogrammer sammen med en datokode:



**Advarsel!** Brugeren skal læse brugervejledningen for at reducere risikoen for kvæstelser.



Bær høreværn ved slagboring. Udsættelse for støj kan medføre høretab

## Elektricitet og sikkerhed



Denne maskine er dobbelt isoleret. Derfor er jordledning ikke nødvendig. Kontrollér altid, at strømforsyningen svarer til spændingen på mærkepladen.

- ◆ Hvis netledningen beskadiges, skal den udskiftes af producenten eller et autoriseret BLACK+DECKER-værksted, så farlige situationer undgås.
- 1. Variabel hastighedskontakt
- 2. Låseknop
- 3. Kontakt til skift af retning
- 4. Knap til valg af borefunktion
- 5. Patron
- 6. Patronlås
- 7. Sidehåndtag

## Samling

**Advarsel!** Kontroller før samling, at værktøjet er slukket, og at stikket er taget ud af stikkontakten.

## Montering af sidehåndtaget (fig. A)

- ◆ Drej knappen (7c) mod uret, til du kan trække sidehåndtaget (7) frem til værktøjets forende som vist.
- ◆ Drej sidehåndtaget til den ønskede stilling, mens du sørger for, at fordybningerne (7a) kobles med kædehjulet (7b).
- ◆ Spænd sidehåndtaget ved at dreje knappen (7c) med uret.

**Bemærk:** Sidehåndtaget kan placeres, afhængigt af personlig præference.

## Montering af tilbehør (fig. B)

- ◆ Tryk på patronlåsen (6)
- ◆ Åbn patronen ved at dreje muffen (5) mod uret.
- ◆ Sæt bitfatningen (8) i patronen.
- ◆ Spænd patronen ved at dreje muffen med uret.

## Anvendelse

**Advarsel!** Lad værktøjet arbejde i dets eget tempo. Det må ikke overbelastes.

**Advarsel!** Kontrollér placeringen af ledninger og rør, inden der bores i vægge, gulve eller lofter.

## Sådan tændes og slukkes enheden (fig. C)

- ◆ Tryk på kontakten til variabel hastighed (1) for at starte værktøjet. Værktøjets hastighed afhænger af, hvor langt du trykker knappen.
- ◆ Tryk på spærreknappen (2) og udløs kontakten til variabel hastighed for at opnå konstant funktion. Denne funktion kan ikke aktiveres ved baglæns omløb.
- ◆ Slip kontakten til variabel hastighed for at slukke for værktøjet.

Sluk for værktøjet efter arbejde i konstant funktion ved at trykke på knappen til variabel hastighed igen for at udløse den. Hold altid værktøjet som vist i fig. G.

## Valg af omløbsretning (fig. D)

Brug forlæns omløb (med uret) ved boring og spænding af skruer. Brug baglæns omløb (mod uret) for at løse skruer eller fjerne et fastklemt bor.

- ◆ Tryk skyderen til skift af retning (3) mod venstre for at vælge forlæns omløb.
- ◆ Tryk skyderen til skift af retning mod højre for at vælge baglæns omløb.

**Advarsel!** Skift aldrig omløbsretning, mens motoren kører.

## Valg af borefunktion (fig. E)

- ◆ Ved slagboring i murværk og beton skal knappen til valg af borefunktion (4) indstilles til positionen **T**.
- ◆ Ved boring i stål, træ og plastik eller til skrueboring skal funktionsvælgeren (4) indstilles til **1**-positionen.

## Tilbehør

Værktøjets ydeevne afhænger af det anvendte tilbehør. Tilbehør fra BLACK+DECKER er fremstillet efter høje kvalitetsstandarder og er designet til at forbedre dit værktøjs ydeevne. Når du bruger dette tilbehør, vil værktøjet yde optimalt.

## Vedligeholdelse

Dit BLACK+DECKER-apparat/værktøj med eller uden ledning er beregnet til brug gennem lang tid med et minimum af vedligeholdelse. Vedvarende tilfredsstillende funktion er afhængig af, om apparatet plejes korrekt og rengøres regelmæssigt.

**Advarsel!** Før udførelse af nogen form for vedligeholdelse på elværktøj med/uden ledning:

- ◆ Sluk og tag apparatets/værktøjets stik ud af stikkontakten.
- ◆ Eller sluk og fjern batteriet fra apparatet/værktøjet, hvis det har en separat batteripakke.
- ◆ Eller afad batteriet helt, hvis det er indbygget, og sluk derefter.
- ◆ Træk opladeren ud af stikkontakten, før den rengøres. Opladeren kræver ingen vedligeholdelse, men skal rengøres jævnligt.
- ◆ Rengør jævnligt apparatets/værktøjets/laderens ventilationshuller med en blød børste eller en tør klud.
- ◆ Rengør med jævne mellemrum motorhuset med en fugtig klud. Der må ikke bruges skuremidler eller opløsningsmidler.
- ◆ Åbn jævnligt patronen, og bank på den for at fjerne indvendigt støv (hvis monteret).

## Udskiftning af netstik (kun Storbritannien og Irland)

Hvis et nyt lysnetstik skal monteres:

## EF-overensstemmelseserklæring

MASKINDIREKTIV



BEH550, BEH710 Slagbor

Black & Decker erklærer, at produkterne beskrevet under "Tekniske data" er i overensstemmelse med: EN62841-1:2015, EN 62841-2-1:2018+A11:2019.

Disse produkter er endvidere i overensstemmelse med direktiv 2006/42/EF, 2014/30/EU og 2011/65/EU. Kontakt Black & Decker på nedenstående adresse, eller se vejledningens bagside for at få flere oplysninger.

Undertegnede er ansvarlig for udarbejdelsen af de tekniske data og fremsætter denne erklæring på vegne af Black & Decker.

Ed Higgins

Direktør – Consumer Power Tools  
Black & Decker Europe, 270 Bath Road, Slough,  
Berkshire, SL1 4DX  
Storbritannien  
30-06-2020

- ◆ Det gamle stik skal bortskaffes på en sikker måde.
- ◆ Slut den brune ledning til den strømførende klemme på det nye stik.
- ◆ Slut den blå ledning til den neutrale klemme.

**Advarsel!** Der skal ikke tilsluttes til jordklemmen. Følg de monteringsinstruktioner, der følger med stik af god kvalitet. Anbefalet sikring: 5 A.

## Miljøbeskyttelse

Særskilt bortskaffelse. Produkter og batterier mærket med dette symbol må ikke bortskaffes sammen med normalt husholdningsaffald. Produkter og batterier indeholder materialer, der kan genvindes eller genbruges og således reducere efterspørgslen efter råvarer.

Genbrug venligst elektriske produkter og batterier i henhold til lokale bestemmelser.

Yderligere informationer findes på [www.2helpU.com](http://www.2helpU.com)

## Tekniske data

		BEH550	BEH710
Nominal effekt	$V_{AC}$	550	710
Tomgangshastighed	$\text{min}^{-1}$	0 ~ 2800	0 ~ 2800
Slaghastighed	$\text{min}^{-1}$	0 ~ 47600	0 ~ 47600
Vægt	kg	1.7	1.76
Maks. borekapacitet			
Beton	mm	13	13
Stål	mm	13	13
Træ	mm	25	25

## BEH550 Lydtrykniveau i henhold til EN 62841:

Lydtryk ( $L_{pA}$ ) 93,5 dB(A), usikkerhed (K) 5 dB(A)

Lyd effekt ( $L_{WA}$ ) 104,5 dB(A), usikkerhed (K) 5 dB(A)

## BEH710 Lydtrykniveau i henhold til EN 62841:

Lydtryk ( $L_{pA}$ ) 95,5 dB(A), usikkerhed (K) 5 dB(A)

Lyd effekt ( $L_{WA}$ ) 106,5 dB(A), usikkerhed (K) 5 dB(A)

## BEH550 Samlede værdier for vibration (triaksial vektorsum) i henhold til EN 62841:

Slagboring i beton ( $a_{h, D}$ ) 14,8  $\text{m/s}^2$ , usikkerhed (K) 1,5  $\text{m/s}^2$

Boring i metal ( $a_{h, D}$ ) 1,8  $\text{m/s}^2$ , usikkerhed (K) 1,5  $\text{m/s}^2$

## BEH710 Samlede værdier for vibration (triaksial vektorsum) i henhold til EN 62841:

Slagboring i beton ( $a_{h, D}$ ) 16,2  $\text{m/s}^2$ , usikkerhed (K) 1,5  $\text{m/s}^2$

Boring i metal ( $a_{h, D}$ ) 1,9  $\text{m/s}^2$ , usikkerhed (K) 1,5  $\text{m/s}^2$

## Garanti

Black & Decker er overbevist om den gode kvalitet af sine produkter og giver forbrugerne en garanti på 24 måneder fra købsdatoen. Garantien er et tillæg til forbrugernes lovmæssige rettigheder og påvirker ikke disse. Garantien er gyldig inden for medlemsstaterne af Den Europæiske Union og Det Europæiske Frihandelsområde.

Når du gør krav på garantien, skal kravet være i overensstemmelse med Black & Decker vilkår og betingelser, og du skal indsende dokumentation for købet til sælgeren eller til en autoriseret reparatør. Vilkår og betingelser for Black & Decker 2 års garanti og placeringen af dit nærmeste autoriserede serviceværksted kan fås på internettet på [www.2helpU.com](http://www.2helpU.com), eller ved at kontakte dit lokale Black & Decker kontor på den adresse, der er angivet i denne vejledning.

Besøg venligst vores websted [www.blackanddecker.co.uk](http://www.blackanddecker.co.uk) for at registrere dit nye Black & Decker produkt og modtage opdateringer om nye produkter og specielle tilbud.

## Käyttötarkoitus

Tämä BLACK+DECKER BEH550, BEH710 -iskuporakone on tarkoitettu puun, metallin, muovin ja betonin poraamiseen sekä ruuvaukseen. Tämä työkalu on tarkoitettu vain yksityiskäyttöön.

## Turvallisuusohjeet

### Sähkötyökalujen yleiset turvavaroitukset



**Varoitus! Lue kaikki tämän sähkötyökalun mukana toimitetut varoitukset, käyttöohjeet ja tekniset tiedot.** Jos kaikkia ohjeita ei noudateta, on olemassa sähköiskun, tulipalon ja/tai vakavan henkilövahingon vaara.

### Säästä kaikki varoitukset ja ohjeet tulevaa käyttöä varten.

Jäljempänä olevissa varoituksissa käytetyllä käsitteellä "sähkötyökalu" tarkoitetaan verkkokäyttöisiä sähkötyökaluja (verkkojohdolla) ja akkukäyttöisiä sähkötyökaluja (ilman verkkojohdtoa).

#### 1. Työalueen turvallisuus

- Pidä työskentelyalue puhtaana ja hyvin valaistuna.** Onnettomuuksia sattuu herkemmin epäsiistissä tai huonosti valaistussa ympäristössä.
- Älä käytä sähkötyökalua räjähdysalttiissa ympäristössä, jossa on palavaa nestettä, kaasua tai pölyä.** Sähkötyökalujen aiheuttamat kipinät voivat sytyttää pölyn tai kaasut.
- Pidä lapset ja sivulliset loitolla sähkötyökalua käyttäessäsi.** Keskitettyä herpaantuminen voi aiheuttaa hallinnan menettämisen.

#### 2. Sähköturvallisuus

- Sähkötyökalun pistokkeen on sovitava pistorasiaan. Älä koskaan tee pistokkeeseen mitään muutoksia. Älä yhdistä maadoitettua sähkötyökalua jatkojohtoon.** Sähköiskun vaara vähenee, jos pistokkeisiin ei tehdä muutoksia ja ne yhdistetään vain niille tarkoitettuihin pistorasioihin.
- Vältä koskettamasta maadoitettuja pintoja, kuten putkia, pattereita, liesiä tai jääkaappeja.** Voit saada sähköiskun, jos kehosi on maadoitettu.
- Älä altista sähkötyökalua sateelle tai kosteudelle.** Sähkötyökaluun menevä vesi lisää sähköiskun vaaraa.
- Älä käsittele virtajohtoa kovakouraisesti. Älä kannata työkaluja sähköjohdosta tai vedä pistoketta pistorasiasta sähköjohdon avulla.** Pidä sähköjohto kaukana kuumuudesta, öljystä, terävistä reunoista tai liikkuvista osista. Vaurioituneet tai sotkeutuneet johdot lisäävät sähköiskun vaaraa.

- Käyttäessäsi sähkötyökalua ulkona käytä ainoastaan ulkokäyttöön soveltuvaa jatkojohtoa.** Ulkokäyttöön tarkoitettun sähköjohdon käyttäminen vähentää sähköiskun vaaraa.
- Jos sähkötyökalua on välttämättä käytettävä kosteassa paikassa, käytä jännösvirtalaitteella (RCD) suojattua virtalähdettä.** Tämä vähentää sähköiskun vaaraa.

#### 3. Henkilöturvallisuus

- Keskity työskentelyysi ja noudata tervettä järkeä käyttäessäsi sähkötyökaluja. Älä käytä tätä työkalua ollessasi väsynyt tai alkoholin, huumeiden tai lääkkeiden vaikutuksen alaisena.** Keskitymisen herpaantuminen hetkeksikin sähkötyökalua käytettäessä voi aiheuttaa vakavan henkilövahingon.
- Käytä henkilökohtaisia suojavarusteita. Käytä aina suojalaseja.** Hengityssuojaimen, liukumattomien turvajalkineiden, kypärän ja kuulonsuojaimen käyttäminen vähentää henkilövahinkojen vaaraa.
- Vältä tahatonta käynnistämistä. Varmista, että kytkin on OFF-asennossa, ennen kuin liität laitteen virtalähteeseen ja/tai akkuun, nostat laitteen tai kannat sitä.** Sähkötyökalun kantaminen sormi virtakytkimellä lisää onnettomuusvaaraa.
- Irrota mahdollinen säätö- tai kiintoavain, ennen kuin käynnistät sähkötyökalun.** Sähkötyökalun pyörivään osaan kiinni jäänyt avain voi johtaa loukkaantumiseen.
- Älä kurkota liian kauas. Huolehdi siitä, että sinulla on koko ajan tukeva jalansija ja hyvä tasapaino.** Näin voit hallita sähkötyökalua paremmin odottamattomissa tilanteissa.
- Käytä tarkoitukseen soveltuvia vaatteita. Älä käytä löysiä vaatteita tai koruja. Pidä hiukset, vaatteet ja kädet loitolla liikkuvista osista.** Löysät vaatteet, korut tai pitkät hiukset voivat tarttua liikkuviin osiin.
- Jos laitteeseen voi kiinnittää pölynkerääjän tai -imurin, tarkista, että se on paikallaan ja että se toimii kunnolla.** Pölyn ottaminen talteen voi vähentää pölyn aiheuttamia vaaroja.
- Vaikka käyttäisit usein työkaluja ja sinulla olisi niistä hyvä tuntemus, älä jätä lukematta työkalun turvallisuusohjeita.** Huolimattomuus voi johtaa vakaviin henkilövahinkoihin jopa sekunnin murto-osassa.

#### 4. Sähkötyökalujen käyttö ja hoito

- Älä ylikuormita sähkötyökalua. Valitse käyttötarkoituksen kannalta oikea sähkötyökalu.** Sähkötyökalu toimii paremmin ja turvallisemmin, kun sitä käytetään sille suunniteltuun käyttötarkoitukseen.

- b. Älä käytä sähkötyökalua, jota ei voida käynnistää ja pysäyttää virtakytkimestä. Jos sähkötyökalua ei voi hallita kytkimen avulla, se on vaarallinen ja se on korjattava.
- c. **Katkaise sähkötyökalusta virta ja irrota sen pistoke pistorasiasta tai irrota akku siitä ennen säätämistä, varusteiden vaihtamista tai sähkötyökalun asettamista säilytykseen.** Näin voit vähentää vahingossa käynnistymisen aiheuttaman henkilövahingon vaaraa.
- d. **Säilytä sähkötyökalut poissa lasten ulottuvilta, kun niitä ei käytetä. Älä anna sähkötyökalua sellaisen henkilön käyttöön, joka ei tunne sitä tai joka ei ole tutustunut sähkötyökalun käyttöohjeeseen.** Sähkötyökalut ovat vaarallisia kouluttamattomien käyttäjien käsissä.
- e. **Hoida sähkötyökaluasi ja lisävarusteita huolella.** Tarkista, että liikkuvat osat toimivat moitteettomasti ja etteivät ne ole puristuksessa. Tarkista myös, ettei työkalussa ei ole murtuneita tai vahingoittuneita osia, jotka saattaisivat vaikuttaa haitallisesti sen toimintaan. Jos havaitset vaurioita, korjauta sähkötyökalu ennen niiden käyttämistä. Huonosti kunnossapidetyt sähkötyökalut aiheuttavat onnettomuuksia.
- f. **Pidä leikkausterät terävinä ja puhtaina.** Kunnossa pidettyjen leikkaavien teräviä reunoja sisältävien työkalut todennäköisyyksi jumiutua vähenee, ja niitä on helpompi hallita.
- g. **Käytä sähkötyökaluja, tarvikkeita, vaihtotyökaluja jne. näiden ohjeiden mukaisesti. Ota tällöin huomioon työolosuhteet ja suoritettava toimenpide.** Jos sähkötyökalua käytetään näiden ohjeiden vastaisesti, voi syntyä vaaratilanne.
- h. **Pidä kahvat ja kädensijat kuivina ja puhtaina öljystä ja rasvasta. Liukkaat kahvat ja kädensijat estävät työkalun turvallisen käsittelyn ja hallinnan odottamattomissa tilanteissa.**

## 5. Huolto

- a. **Korjata sähkötyökalu koulutetulla ja ammattitaitoisella henkilöllä ja hyväksy korjauksiin vain alkuperäisiä varaosia.** Tämä varmistaa sähkötyökalun turvallisuuden.

## Turvaohjeet kaikkia toimintoja käytettäessä

- Käytä kuulosuojia, kun käytät iskuporaa. Melulle altistuminen voi aiheuttaa kuulon menetyksen.
- Käytä apukahvoja. Hallinnan menetyks voi aiheuttaa henkilövahingon.
- Tartu työkaluun hyvällä otteella ennen käyttöä. Tämä työkalu tuottaa suuren momentin, mikä voi johtaa hallinnan menetykseen ja henkilövahinkoihin, mikäli työkalusta ei pidetä hyvin kiinni.

- Sähkötyökalua eristetyistä tartuntapinnoista tehdessäsi työtä, jossa laikka voi osua piilossa oleviin sähköjohtoihin tai omaan virtajohtoonsa. Terien osuminen jännitteiseen johtoon tekee sen paljaista metalliosista jännitteisiä, joten käyttäjä voi saada sähköiskun.

## Turvallisuusohjeet pitkiä poranteriä käyttäessä

- **Älä koskaan ylitä poran terän määritettyä maksiminopeutta.** Suuremmilla nopeuksilla terä voi taipua ja aiheuttaa henkilövahinkoja, jos sen annetaan pyöriä vapaasti työstökappaleesta irti.
- **Aloita poraus aina alhaisella nopeudella poran terän koskettaessa työstökappaleeseen.** Suuremmilla nopeuksilla terä voi taipua ja aiheuttaa henkilövahinkoja, jos sen annetaan pyöriä vapaasti työstökappaleesta irti.
- **Kohdistat terään voimaa vain suorassa linjassa välttäen liiallista painetta.** Terät voivat taipua ja aiheuttaa murtumisen tai hallinnan menetyksen, mikä voi johtaa henkilövahinkoihin.

## Lisäturvaohjeet porille/ruuvinvääntimille/iskuporille

- Käytä puristimia tai muuta käytännöllistä tapaa kiinnittää ja tukea työkappale tukevalle alustalle. Työstökappaleen pitäminen käsin tai vartaloa vasten on epävakaata ja saattaa johtaa kontrollin menetykseen.
- Lisävarusteet ja työkalu voivat kuumetua käytön aikana. Käytä suojakäsineitä niiden käsittelyn aikana, jos käytät työkalua lämpöä tuottaviin toimintoihin, kuten metallien poraukseen.
- Ilmanvaihtoaukkoja ei saa peittää. Löysät vaatteet, korut tai pitkät hiukset voivat tarttua liikkuviin osiin.
- Käytä suojalaseja tai muita silmäsuojia. Iskuporaus ja poraaminen voivat aiheuttaa lastujen lentämisen. Lentävät kappaleet voivat aiheuttaa pysyvän silmävaurion.
- Käytä kuulosuojia, kun käytät iskuporaa. Melulle altistuminen voi aiheuttaa kuulon menetyksen.
- Käytä lisäkahvoja, jos ne on toimitettu työkalun mukana. Hallinnan menetyks voi aiheuttaa henkilövahingon.
- Älä käytä tätä työkalua pitkiä aikoja yhtäjaksoisesti. Työkalun iskutoiminnan aiheuttama värinä voi olla haitallista käsillesi ja käsivarsillesi. Käytä käsineitä tarjoamaan lisäpehmustetta ja rajoita altistumista värinälle pitämällä taukoja.

## Muiden henkilöiden turvallisuus

- Tämä laite soveltuu yli 8-vuotiaiden lasten ja sellaisten henkilöiden käyttöön, joilla on fyysisiä tai älyllisiä rajoitteita tai aistirajoitteita, kuten myös laitteen toimintaan perehtymättömien henkilöiden käyttöön, jos heitä valvotaan tai jos he ovat saaneet laitteen turvalliseen käyttöön liittyvää opastusta ja ymmärtävät laitteen käyttöön liittyvät vaarat.

- Älä anna lasten leikkiä laitteella. Puhdistus- ja huoltotöitä ei saa jättää lapsille ilman valvontaa.

## Jäännösriskit

Myös muut kuin turvavaroituksissa mainitut riskit ovat mahdollisia laitteita käytettäessä. Nämä riskit voivat liittyä muun muassa virheelliseen tai pitkäaikaiseen käyttöön. Tiettyjä jäännösriskkejä ei voi välttää, vaikka noudatetaan kaikkia turvamaääräyksiä ja käytät turvalaitteita. Nämä ovat:

- Pyörivien tai liikkuvien osien koskettamisen aiheuttamat vahingot.
- Osia, teriä tai lisävarusteita vaihdettaessa aiheutuneet vahingot.
- Työkalun pitkäaikaisen käytön aiheuttamat vahingot. Varmista, että pidät säännöllisesti taukoja laitteen pitkäaikaisen käytön aikana.
- Kuulon heikkeneminen.
- Työkalua käytettäessä (esimerkiksi puuta, erityisesti tammea, pyökkiä ja MDF-levyjä) syntyneen pölyn sisäänhengityksen aiheuttamat terveysriskit.

## Tärinä

Teknisissä tiedoissa ja vaatimustenmukaisuusvakuutuksessa ilmoitettu tärinäpäästöarvo on mitattu EN62841-standardin testausmenetelmän mukaisesti, ja arvoa voi käyttää työkalujen keskinäiseen vertailuun. Ilmoitettua tärinäpäästöarvoa voi käyttää myös altistumisen alustavaan arviointiin.



**Varoitus!** Sähkötyökalun käytön aikana mitattu todellinen tärinäpäästöarvo voi poiketa ilmoitetusta tärinäpäästöarvosta työkalun käyttötavan mukaan. Tärinätaso voi olla ilmoitettua tasoa suurempi.

Kun tärinälle altistumista arvioidaan sen määrittämiseksi, mitä direktiivin 2002/44/EY mukaisia turvatoimenpiteitä vaaditaan sähkötyökaluja säännöllisesti käyttävien henkilöiden suojelemiseksi, tärinälle altistumisen arvioinnissa on otettava huomioon todelliset käyttöolosuhteet ja työkalun käyttötavat. Todellisen käytön lisäksi on kiinnitettävä huomiota myös siihen, milloin työkalu on sammutettuna tai se käy tyhjäkäynnillä.

## Työkalun tarrat

Työkaluun on merkitty päivämääräkoodi sekä seuraavat varoitusmerkinnät:



**Varoitus!** Käyttäjän on luettava käyttöohje vahinkojen välttämiseksi.



Käytä kuulosuojaimia iskuporakonetta käyttäessäsi. Melulle altistuminen voi aiheuttaa kuulon menetyksen.

## Sähköturvallisuus



Tämä laite on kaksoiseristetty, joten erillistä maadoitusta ei tarvita. Tarkista aina, että verkkovirran jännite vastaa tyyppikilpeen merkittyä jännitettä.

- ◆ Jos virtajohto vahingoittuu, sen vaihtaminen on turvallisuussyistä jätettävä valmistajan tai valtuutetun BLACK+DECKER-huollon tehtäväksi.
1. Säädettävä nopeuskytkin
  2. Lukituspainike
  3. Suunnanvaihtokytkin
  4. Poraustilan valitsin
  5. Istukka
  6. Istukan lukitus
  7. Sivukahva

## Asennus

**Varoitus!** Varmista ennen kokoamista, että virta on katkaistu ja että virtajohto on irti pistorasiasta.

## Sivukahvan kiinnittäminen (kuva A)

- ◆ Kierrä nuppia (7c) vastapäivään, kunnes voit työntää sivukahvan (7) työkalun eteen kuvan osoittamalla tavalla.
  - ◆ Kierrä sivukahva haluamaasi asentoon ja varmista, että urat (7a) kytkeytyvät hammaspyörään (7b).
  - ◆ Kiristä sivukahva kiertämällä nuppia (7c) myötäpäivään.
- Huomaa:** sivukahva voidaan asettaa halutessa paikoilleen.

## Lisävarusteen kiinnittäminen (kuva B)

- ◆ Paina istukan lukitusta (6).
- ◆ Avaa istukka kiertämällä holkkia (5) vastapäivään.
- ◆ Työnnä terän varsi (8) istukkaan.
- ◆ Kiristä istukka kiertämällä holkkia myötäpäivään.

## Käyttö

**Varoitus!** Anna työkalun käydä omaan tahtiinsa. Älä ylikuormita sitä.

**Varoitus!** Ennen kuin poraat seinä, lattioita tai kattoja, tarkista sähköjohtojen ja putkien sijainti.

## Käynnistäminen ja pysäyttäminen (kuva C)

- ◆ Käynnistä työkalu painamalla nopeudensäätökytkintä (1). Työkalun nopeus määräytyy sen mukaan, kuinka pitkälle kytkintä työnnetään.
- ◆ Jatkuvaa käyttöä varten paina lukituspainiketta (2) ja vapauta nopeudensäätökytkin. Tämä vaihtoehto ei toimi taaksepäin.
- ◆ Sammuta työkalu vapauttamalla nopeudensäätökytkin. Sammuta työkalu jatkuvan käytön aikana painamalla nopeudensäätökytkintä uudelleen ja vapauttamalla se. Pitele työkalua aina kuvan G osoittamalla tavalla.

## Pyörimissuunnan valitseminen (kuva D)

Käytä poraamiseen ja ruuvien kiristämiseen eteenpäin suuntautuvaa pyörimisliikettä (myötäpäivään). Käytä ruuvien irrottamiseen tai jumiutuneen poranterän irrottamiseen taaksepäin suuntautuvaa pyörimisliikettä (vastapäivään).

- ◆ Valitse pyörimissuunta eteenpäin työntämällä eteen-/taaksepäin-liukusäädintä (3) vasemmalle.
- ◆ Valitse pyörimissuunta taaksepäin työntämällä eteen-/taaksepäin-liukusäädintä oikealle.

**Varoitus!** Pyörimissuuntaa ei saa vaihtaa moottorin käydessä.

## Poraustilan valitseminen (kuva E)

- ◆ Kun iskuporaat kivimateriaalia tai betonia, aseta poraustilan valitsin (4) asentoon **T**.
- ◆ Kun poraat terästä, puuta ja muovia tai ruuvaat ruuvia, aseta toimintatilan valitsin (4) asentoon **1**.

## Lisävarusteet

Työkalun suorituskyky riippuu käytetystä lisävarusteesta. Korkealaatuiset BLACK+DECKER-lisävarusteet on suunniteltu parantamaan työkalun suorituskykyä. Käyttämällä näitä lisävarusteita saat työkalustasi parhaan hyödyn.

## Huolto

Verkojohdolla varustettu tai verkkojohdoton BLACK+DECKER-laite on suunniteltu toimimaan mahdollisimman kauan mahdollisimman vähällä huollolla. Oikea käsittely ja säännöllinen puhdistus varmistavat laitteen ongelmattoman toiminnan.

**Varoitus!** Ennen verkkojohdolla varustetun tai

verkkojohdoton sähkötyökalun huoltoa toimi seuraavasti:

- ◆ Sammuta laite/työkalu ja irrota se verkkovirrasta.
- ◆ Jos laitteessa/työkalussa on erillinen akku, sammuta laite/työkalu ja irrota sen akku.
- ◆ Jos akku on kiinteä, käytä akku täysin loppuun ja sammuta laite sitten.
- ◆ Irrota laturi pistorasiasta ennen laturin puhdistamista. Laturi ei tarvitse säännöllisen puhdistamisen lisäksi mitään muuta huoltoa.
- ◆ Puhdista laitteen/työkalun/laturin ilma-aukot säännöllisesti pehmeällä harjalla tai kuivalla kangasliinalla.
- ◆ Puhdista moottorin kotelo säännöllisesti kostealla liinalla. Älä käytä hankaavia tai liuotinpohjaisia puhdistusaineita.
- ◆ Avaa istukka säännöllisesti ja naputtele pöly pois sen sisältä (soveltuvin osin).

## Varaverkkopistoke (vain Iso-Britannia ja Irlanti)

Jos uusi verkkopistoke täytyy asentaa:

- ◆ Hävitä vanha pistoke ympäristöstävällisesti.
- ◆ Liitä ruskea johto uuden pistokkeen jännitteeseen napaan.
- ◆ Liitä sininen johto tähtipisteliittimeen.

**Varoitus!** Maadoitusliittimeen ei tule tehdä liitoksia.

Noudata korkealaatuisten pistokkeiden mukana toimitettuja asennusohjeita. Suositeltu varoke: 5 A.

## Ympäristönsuojelu

Toimita tämä laite erilliskeräykseen. Tällä symbolilla merkityjä tuotteita ja akkuja ei saa hävittää tavallisen kotitalousjätteen mukana. Tuotteissa ja akkuissa on materiaaleja, jotka voidaan ottaa talteen tai kierrättää uudelleen käyttöä varten. Kierrätä sähkölaitteet ja akut paikallisten määräyksien mukaan.

Lisätietoa on saatavilla osoitteessa [www.2helpU.com](http://www.2helpU.com)

## Tekniset tiedot

		BEH550	BEH710
Nimellisteho	V <sub>AC</sub>	550	710
Kuormittamaton nopeus	min <sup>-1</sup>	0 ~ 2800	0 ~ 2800
Iskutaajuus	min <sup>-1</sup>	0 ~ 47600	0 ~ 47600
Paino	kg	1,7	1,76
<b>Suurin mahdollinen porausteho</b>			
Betoni	mm	13	13
Teräs	mm	13	13
Puu	mm	25	25

### BEH550 Äänenpainetaso standardin EN 62841 mukaisesti:

Äänenpaine (L<sub>PA</sub>) 93,5 dB(A), epävarmuus (K) 5 dB(A)

Äänitehotaso (L<sub>WA</sub>) 104,5 dB(A), epävarmuus (K) 5 dB(A)

### BEH710 Äänenpainetaso standardin EN 62841 mukaisesti:

Äänenpaine (L<sub>PA</sub>) 95,5 dB(A), epävarmuus (K) 5 dB(A)

Äänitehotaso (L<sub>WA</sub>) 106,5 dB(A), epävarmuus (K) 5 dB(A)

### BEH550 Tärinän kokonaisarvot (vektorisumma) standardin EN 62841 mukaisesti:

Iskuporattaessa betonia (a<sub>h, D</sub>) 14,8 m/s<sup>2</sup>, epävarmuus (K) 1,5 m/s<sup>2</sup>

Porattaessa metallia (a<sub>h, D</sub>) 1,8 m/s<sup>2</sup>, epävarmuus (K) 1,5 m/s<sup>2</sup>

### BEH710 Tärinän kokonaisarvot (vektorisumma) standardin EN 62841 mukaisesti:

Iskuporattaessa betonia (a<sub>h, D</sub>) 16,2 m/s<sup>2</sup>, epävarmuus (K) 1,5 m/s<sup>2</sup>

Porattaessa metallia (a<sub>h, D</sub>) 1,9 m/s<sup>2</sup>, epävarmuus (K) 1,5 m/s<sup>2</sup>

## EY-vaatimustenmukaisuusvakuutus

KONEDIREKTIIVI



BEH550, BEH710 Iskuporakone

Black & Decker ilmoittaa, että Tekniset tiedot -kohdassa kuvatut tuotteet täyttävät seuraavien direktiivien vaatimukset: EN62841-1:2015, EN 62841-2-1:2018+A11:2019.



Nämä tuotteet täyttävät myös direktiivien 2006/42/EY, 2014/30/EY ja 2011/65/EY vaatimukset. Lisätietoja saa ottamalla yhteyden Black & Deckerin seuraavassa osoitteessa. Tiedot ovat myös käyttöohjeen takakannessa. Allekirjoittanut vastaa teknisten tietojen kokoamisesta tehden tämän ilmoituksen Black & Deckerin puolesta.



Ed Higgins

Johtaja – Sähkötyökälut kuluttajille  
Black & Decker Europe, 270 Bath Road, Slough,  
Berkshire, SL1 4DX  
Iso-Britannia  
30.6.2020

## Takuu

Black & Decker on vakuuttanut tuotteidensa korkeasta laadusta ja tarjoaa kuluttajille 24 kuukauden takuun, joka astuu voimaan ostopäivänä. Takuu on lisäys kuluttajan laillisiin oikeuksiin eikä vaikuta niihin. Tämä takuu on voimassa kaikissa EU- ja ETA-maissa.

Edellytyksenä takuun saamiselle on, että vaade täyttää Black & Deckerin ehdot ja että ostaja toimittaa ostotositteen jälleenmyyjälle tai valtuutetulle huoltoliikkeelle. Black & Deckerin kahden vuoden takuun ehdot ja lähimmän valtuutetun korjauspalvelun yhteystiedot ovat saatavilla osoitteessa [www.2helpU.com](http://www.2helpU.com) tai ottamalla yhteyttä paikalliseen Black & Deckerin toimipisteeseen tässä ohjekirjassa ilmoitettuihin osoitteisiin.

Käy verkkosivuiltamme osoitteessa [www.blackanddecker.fi](http://www.blackanddecker.fi) ja rekisteröi uusi Black & Decker -tuotteesi saadaksesi tietoa uusista tuotteista ja erikoistarjouksista.

## Προβλεπόμενη χρήση

Το κρουστικό σας δράπανο BLACK+DECKER BEH550, BEH710, έχει σχεδιαστεί για τη διάτρηση ξύλου, μετάλλου, πλαστικών και ειδών τοιχοποιίας, καθώς και για εφαρμογές βιδώματος. Αυτό το εργαλείο προορίζεται μόνο για ερασιτεχνική χρήση.

## Οδηγίες ασφαλείας

### Γενικές προειδοποιήσεις ασφαλείας για ηλεκτρικά εργαλεία



**Προειδοποίηση! Διαβάστε όλες τις προειδοποιήσεις ασφαλείας, τις οδηγίες, τις απεικονίσεις και τις προδιαγραφές που συνοδεύουν αυτό το ηλεκτρικό εργαλείο.** Η μη τήρηση οποιασδήποτε από τις οδηγίες που αναφέρονται πιο κάτω μπορεί να έχει ως αποτέλεσμα ηλεκτροπληξία, πυρκαγιά και/ή σοβαρό τραυματισμό.

**Φυλάξτε όλες τις προειδοποιήσεις και τις οδηγίες για μελλοντική αναφορά.** Ο όρος "ηλεκτρικό εργαλείο" που χρησιμοποιείται σε όλες τις παρακάτω προειδοποιήσεις, αναφέρεται είτε σε εργαλείο που λειτουργεί με ρεύμα δικτύου (ρεύματος - με καλώδιο) είτε σε εργαλείο που λειτουργεί με μπαταρία (μπαταρίας - χωρίς καλώδιο).

### 1. Ασφάλεια χώρου εργασίας

- Διατηρείτε την περιοχή εργασίας καθαρή και καλά φωτισμένη.** Οι απατοποίητοι ή σκοτεινοί χώροι γίνονται αιτίες ατυχημάτων.
- Μη χρησιμοποιείτε ηλεκτρικά εργαλεία σε περιβάλλον όπου υπάρχει κίνδυνος έκρηξης, π.χ. με παρουσία εύφλεκτων υγρών, αερίων ή σκόνης.** Τα ηλεκτρικά εργαλεία παράγουν σπινθήρες που μπορεί να προκαλέσουν ανάφλεξη της σκόνης ή των αναθυμιάσεων.
- Όταν χρησιμοποιείτε ηλεκτρικό εργαλείο κρατάτε μακριά παιδιά και τυχόν άλλα παρευρισκόμενα άτομα.** Παράγοντες που αποσπούν την προσοχή μπορεί να σας κάνουν να χάσετε τον έλεγχο.

### 2. Ασφαλής χρήση ηλεκτρικού ρεύματος

- Το φως του καλωδίου του ηλεκτρικού εργαλείου πρέπει να ταιριάζει στην αντίστοιχη πρίζα. Σε καμία περίπτωση μην τροποποιήσετε το φως, με κανένα τρόπο. Μη χρησιμοποιείτε φως προσαρμογής με γειωμένα ηλεκτρικά εργαλεία.** Τα φως που δεν έχουν υποστεί τροποποιήσεις και οι κατάλληλες πρίζες μειώνουν τον κίνδυνο ηλεκτροπληξίας.
- Αποφεύγετε την επαφή του σώματος με γειωμένες επιφάνειες όπως σωλήνες, σώματα καλοριφέρ, κουζίνες και ψυγεία.** Υπάρχει αυξημένος κίνδυνος ηλεκτροπληξίας αν το σώμα σας είναι γειωμένο.

- c. Μην εκθέτετε τα ηλεκτρικά εργαλεία σε βροχή ή υγρασία. Η διείσδυση νερού σε ένα ηλεκτρικό εργαλείο αυξάνει τον κίνδυνο ηλεκτροπληξίας.
- d. Μην κακομεταχειρίζεστε το καλώδιο. Ποτέ μη χρησιμοποιήσετε το καλώδιο για να μεταφέρετε, να τραβήξετε ή να αποσυνδέσετε από την πρίζα το ηλεκτρικό εργαλείο. Κρατάτε το καλώδιο μακριά από θερμότητα, λάδια, αιχμηρά άκρα ή κινούμενα μέρη. Τα καλώδια που έχουν υποστεί ζημιά ή είναι μπερδεμένα αυξάνουν τον κίνδυνο ηλεκτροπληξίας.
- e. Όταν χρησιμοποιείτε το ηλεκτρικό εργαλείο σε εξωτερικούς χώρους, να χρησιμοποιείτε πάντοτε καλώδια επέκτασης κατάλληλα για χρήση σε εξωτερικούς χώρους. Η χρήση καλωδίου κατάλληλου για εργασία σε εξωτερικούς χώρους μειώνει τον κίνδυνο ηλεκτροπληξίας.
- f. Εάν είναι αναπόφευκτη η χρήση ηλεκτρικού εργαλείου σε υγρή τοποθεσία, χρησιμοποιήστε μια Διάταξη προστασίας ρεύματος διαρροής (RCD). Η χρήση μιας διάταξης RCD μειώνει τον κίνδυνο ηλεκτροπληξίας.
3. Προσωπική ασφάλεια
- a. Όταν χρησιμοποιείτε ηλεκτρικό εργαλείο, να είστε προσεκτικοί, να δίνετε προσοχή στην εργασία που κάνετε και να επιστρατεύετε την κοινή λογική. Μη χρησιμοποιείτε ηλεκτρικό εργαλείο όταν είστε κουρασμένος/η ή υπό την επήρεια ναρκωτικών, οινοπνεύματος ή φαρμακευτικής αγωγής. Μια στιγμή απροσεξίας κατά τη χρήση ηλεκτρικών εργαλείων μπορεί να προκαλέσει σοβαρό τραυματισμό.
- b. Χρησιμοποιείτε εξοπλισμό ατομικής προστασίας. Πάντα φοράτε προστασία ματιών. Ο εξοπλισμός προστασίας, όπως μάσκα κατά της σκόνης, αντιολισθητικά παπούτσια ασφαλείας, κράνος ή προστασία ακοής, όταν χρησιμοποιείται για τις κατάλληλες συνθήκες, θα μειώσει τους τραυματισμούς και τις σωματικές βλάβες.
- c. Εμποδίστε την ακούσια ενεργοποίηση του εργαλείου. Βεβαιωθείτε ότι ο διακόπτης βρίσκεται στη θέση απενεργοποίησης, πριν συνδέσετε το εργαλείο στην πηγή ρεύματος και/ή τοποθετήσετε το πακέτο μπαταριών, καθώς και πριν πάρετε στα χέρια σας ή μεταφέρετε το εργαλείο. Η μεταφορά ηλεκτρικών εργαλείων με το δάχτυλο πάνω στο διακόπτη ή η σύνδεση στο ρεύμα ηλεκτρικών εργαλείων με τον διακόπτη στη θέση ενεργοποίησης, ενέχει κινδύνους ατυχημάτων.
- d. Πριν θέσετε το ηλεκτρικό εργαλείο σε λειτουργία, αφαιρέστε τυχόν εργαλεία ή κλειδιά ρύθμισης. Εάν αφήσετε ένα εργαλείο ή κλειδί πάνω σε κάποιο περιστεφόμενο εξάρτημα του ηλεκτρικού εργαλείου, μπορεί να προκληθούν τραυματισμοί.
- e. Μην τεντώνεστε υπερβολικά. Διατηρείτε πάντα σταθερή στήριξη στα πόδια σας και καλή ισορροπία. Έτσι μπορείτε να έχετε καλύτερο έλεγχο του ηλεκτρικού εργαλείου σε μη αναμενόμενες καταστάσεις.
- f. Φοράτε κατάλληλο ρουχισμό. Μη φοράτε φαρδιά ρούχα ούτε κοσμήματα. Κρατάτε τα μαλλιά, τα ρούχα και τα γάντια σας μακριά από κινούμενα μέρη. Τα φαρδιά ρούχα, τα κοσμήματα και τα μακριά μαλλιά μπορούν να πιαστούν σε κινούμενα μέρη.
- g. Αν παρέχονται διατάξεις για τη σύνδεση εξοπλισμού απομάκρυνσης και συλλογής της σκόνης, να βεβαιώνετε ότι αυτές έχουν συνδεθεί και χρησιμοποιούνται σωστά. Η χρήση διατάξεων συλλογής της σκόνης μπορεί να μειώσει τους κινδύνους που προέρχονται από τη σκόνη.
- h. Μην αφήνετε την εξοικείωση που έχετε αποκτήσει από τη συχνή χρήση εργαλείων να σας επιτρέψει να εφησυχάσετε ώστε να αγνοείτε τις αρχές ασφαλούς χρήσης των εργαλείων. Μια απρόσεκτη ενέργεια μπορεί να προκαλέσει βαρύ τραυματισμό μέσα σε κλάσματα του δευτερολέπτου.
4. Χρήση και φροντίδα ηλεκτρικών εργαλείων
- a. Μην υπερφορτώνετε το ηλεκτρικό εργαλείο. Χρησιμοποιείτε το σωστό ηλεκτρικό εργαλείο για την εφαρμογή σας. Το σωστό ηλεκτρικό εργαλείο θα εκτελέσει την εργασία καλύτερα και ασφαλέστερα, με την ένταση χρήσης για την οποία σχεδιάστηκε.
- b. Μη χρησιμοποιείτε το ηλεκτρικό εργαλείο αν ο διακόπτης του δεν το ενεργοποιεί και απενεργοποιεί. Οποιοδήποτε ηλεκτρικό εργαλείο του οποίου η λειτουργία δεν μπορεί να ελεγχθεί με τον διακόπτη είναι επικίνδυνο και πρέπει να επισκευαστεί.
- c. Αποσυνδέστε το φως από την πηγή ρεύματος και/ή αφαιρέστε το πακέτο μπαταριών, αν είναι αποσπώμενο, από το ηλεκτρικό εργαλείο πριν πραγματοποιήσετε οποιοσδήποτε ρυθμίσεις, αλλάξετε αξεσουάρ, ή αποθηκεύσετε ηλεκτρικά εργαλεία. Τέτοια προληπτικά μέτρα ασφαλείας μειώνουν το κίνδυνο αθέλητης εκκίνησης του ηλεκτρικού εργαλείου.
- d. Να φυλάσσετε μακριά από παιδιά τα ηλεκτρικά εργαλεία που δεν χρησιμοποιείτε και μην αφήνετε να χρησιμοποιήσουν ηλεκτρικό εργαλείο άτομα που δεν είναι εξοικειωμένα με αυτό ή άτομα που δεν έχουν διαβάσει αυτές τις οδηγίες χρήσης. Τα ηλεκτρικά εργαλεία είναι επικίνδυνα στα χέρια μη εκπαιδευμένων χρηστών.
- e. Συντηρείτε τα ηλεκτρικά εργαλεία και τα αξεσουάρ. Ελέγχετε για προβλήματα ευθυγράμμισης ή για μάγκωμα των κινούμενων εξαρτημάτων, θραύση εξαρτημάτων, καθώς και για οποιοδήποτε άλλο πρόβλημα μπορεί να επηρεάσει τη λειτουργία των ηλεκτρικών εργαλείων.

**Αν το ηλεκτρικό εργαλείο έχει υποστεί ζημιά, φροντίστε να επισκευαστεί πριν το χρησιμοποιήσετε.** Η ανεπαρκής συντήρηση των ηλεκτρικών εργαλείων αποτελεί αιτία πολλών ατυχημάτων.

- f. **Διατηρείτε τα κοπτικά εργαλεία κοφτερά και καθαρά.** Τα κοπτικά εργαλεία με κοφτερές κοπτικές αιχμές που συντηρούνται σωστά έχουν λιγότερες πιθανότητες να μαγκώσουν και ελέγχονται ευκολότερα.
- g. **Να χρησιμοποιείτε τα ηλεκτρικά εργαλεία, τα αξεσουάρ, τις μύτες εργαλείων κλπ. σύμφωνα με τις παρούσες οδηγίες, λαμβάνοντας υπόψη σας τις συνθήκες εργασίας και την εργασία που θέλετε να εκτελέσετε.** Η χρήση του ηλεκτρικού εργαλείου για εργασίες διαφορετικές από τις προβλεπόμενες θα μπορούσε να οδηγήσει σε επικίνδυνη κατάσταση.
- h. **Διατηρείτε τις λαβές και τις επιφάνειες κρατήματος στεγνές, καθαρές και απαλλαγμένες από λάδι και γράσο. Οι ολισθηρές λαβές και επιφάνειες κρατήματος δεν επιτρέπουν τον ασφαλή χειρισμό και έλεγχο του εργαλείου σε μη αναμενόμενες καταστάσεις.**
5. **Σέρβις**
- a. **Το σέρβις του ηλεκτρικού σας εργαλείου πρέπει να αναλαμβάνει έμπειρος τεχνικός που θα χρησιμοποιεί μόνο γνήσια ανταλλακτικά.** Έτσι θα εξασφαλίσετε τη διατήρηση της ασφάλειας του ηλεκτρικού εργαλείου.

### Οδηγίες ασφαλείας για όλες τις εργασίες

- Φοράτε προστατευτικά ακοής κατά την κρουστική διάτρηση. Η έκθεση σε θόρυβο μπορεί να προκαλέσει απώλεια ακοής.
- Χρησιμοποιείτε τη βοηθητική λαβή (ή λαβές). Η απώλεια ελέγχου μπορεί να προκαλέσει τραυματισμό.
- Συγκρατήστε σωστά το εργαλείο πριν τη χρήση. Αυτό το εργαλείο παράγει υψηλή ροπή εξόδου και αν δεν συγκρατείτε σωστά το εργαλείο κατά τη λειτουργία μπορεί να προκύψει απώλεια ελέγχου με αποτέλεσμα τραυματισμό σας.
- Κρατάτε το ηλεκτρικό εργαλείο μόνο από μονωμένες επιφάνειες κρατήματος, όταν εκτελείτε κάποια εργασία κατά την οποία το αξεσουάρ κοπής μπορεί να έρθει σε επαφή με αθάατα καλώδια ή με το δικό του καλώδιο. Ένα αξεσουάρ κοπής το οποίο έρχεται σε επαφή με ηλεκτροφόρο καλώδιο μπορεί να καταστήσει ηλεκτροφόρο και τα εκτεθειμένα μεταλλικά μέρη του ηλεκτρικού εργαλείου και να προκαλέσει ηλεκτροπληξία στο χειριστή του.

### Οδηγίες ασφαλείας για την περίπτωση χρήσης τρυπανιών μεγάλου μήκους

- Ποτέ μη χρησιμοποιείτε ταχύτητα υψηλότερη από τη μέγιστη ονομαστική ταχύτητα του τρυπανιού.

- Σε υψηλότερες ταχύτητες, το τρυπάνι είναι πιθανό να λυγίσει αν επιτραπεί να περιστραφεί ελεύθερα χωρίς να είναι σε επαφή με το αντικείμενο εργασίας, με αποτέλεσμα τραυματισμό.
- Πάντα να ξεκινάτε τη διάτρηση σε χαμηλή ταχύτητα και με τη μύτη του τρυπανιού σε επαφή με το αντικείμενο εργασίας. Σε υψηλότερες ταχύτητες, το τρυπάνι είναι πιθανό να λυγίσει αν επιτραπεί να περιστραφεί ελεύθερα χωρίς να είναι σε επαφή με το αντικείμενο εργασίας, με αποτέλεσμα τραυματισμό.
- Εφαρμόζετε πίεση μόνο σε ευθεία γραμμή με το τρυπάνι και μην εφαρμόζετε υπερβολική πίεση. Τα τρυπάνια μπορεί να λυγίσουν προκαλώντας θραύση ή απώλεια του ελέγχου με αποτέλεσμα τραυματισμό.

### Πρόσθετες προειδοποιήσεις ασφαλείας για δράπανο/ κατασβίδι/ κρουστικό δράπανο

- Χρησιμοποιείτε σφιγκτήρες ή άλλο πρακτικό τρόπο για να στερεώνετε και να στηρίζετε το αντικείμενο εργασίας σε σταθερό υπόβαθρο. Αν κρατάτε το αντικείμενο εργασίας με το χέρι σας ή κόντρα στο σώμα σας, αυτό δεν είναι σταθερό και μπορεί να προκληθεί απώλεια ελέγχου.
- Τα αξεσουάρ και το εργαλείο μπορεί να αποκτήσουν υψηλή θερμοκρασία κατά τη λειτουργία. Φοράτε γάντια όταν τα χειρίζεστε, αν εκτελείτε εργασίες κατά τις οποίες παράγεται θερμότητα όπως η διάτρηση μετάλλων.
- Τα ανοίγματα αερισμού συχνά καλύπτουν κινούμενα μέρη και θα πρέπει να αποφεύγονται. Τα φαρδιά ρούχα, τα κοσμήματα και τα μακριά μαλλιά μπορούν να πιαστούν σε κινούμενα μέρη.
- Φοράτε γυαλιά ασφαλείας ή άλλη προστασία των ματιών. Οι εργασίες κρούσης και διάτρησης προκαλούν την εκτίναξη θραυσμάτων. Τα εκτινασσόμενα σωματίδια μπορούν να προκαλέσουν μόνιμη βλάβη στα μάτια.
- Φοράτε προστατευτικά ακοής κατά την κρουστική διάτρηση. Η έκθεση σε θόρυβο μπορεί να προκαλέσει απώλεια ακοής.
- Χρησιμοποιείτε τη(τις) βοηθητική(ές) λαβή(ές) αν παρέχεται(ονται) μαζί με το εργαλείο. Η απώλεια ελέγχου μπορεί να προκαλέσει τραυματισμό.
- Μη χρησιμοποιείτε το εργαλείο αυτό για παρατεταμένα χρονικά διαστήματα. Οι κραδασμοί που προκαλούνται από τη δράση του εργαλείου μπορεί να είναι επιβλαβείς για τα χέρια και τους βραχίονές σας. Χρησιμοποιείτε γάντια για πρόσθετη προστατευτική δράση και περιορίσετε την έκθεση κάνοντας συχνά διαλείμματα ξεκούρασης.

## Ασφάλεια τρίτων

- Αυτή η συσκευή μπορεί να χρησιμοποιηθεί από παιδιά ηλικίας 8 ετών και άνω καθώς και από άτομα με μειωμένες σωματικές, αισθητηριακές ή διανοητικές ικανότητες ή άτομα χωρίς εμπειρία και γνώσεις, μόνο εφόσον επιτηρούνται ή τους έχουν δοθεί οδηγίες σχετικά με την ασφαλή χρήση της συσκευής και έχουν κατανοήσει τους πιθανούς κινδύνους.
- Τα παιδιά δεν πρέπει να παίζουν με τη συσκευή. Ο καθαρισμός και η συντήρηση από το χρήστη δεν πρέπει να γίνονται από παιδιά χωρίς επίβλεψη.

## Υπολειπόμενοι κίνδυνοι

Κατά τη χρήση του εργαλείου μπορεί να δημιουργηθούν πρόσθετοι υπολειπόμενοι κίνδυνοι, οι οποίοι ενδέχεται να μη συμπεριλαμβάνονται στις προειδοποιήσεις ασφαλείας που εσωκλείονται. Αυτοί οι κίνδυνοι μπορεί να προκληθούν από κακή χρήση, παρατεταμένη χρήση κλπ.

Παρά την εφαρμογή των σχετικών κανονισμών ασφαλείας και τη χρήση διατάξεων ασφαλείας, ορισμένοι υπολειπόμενοι κίνδυνοι δεν είναι δυνατόν να αποφευχθούν. Σε αυτούς περιλαμβάνονται:

- Τραυματισμοί από την επαφή με οποιαδήποτε περιστρεφόμενα/κινούμενα μέρη.
- Τραυματισμοί από αλλαγή οποιωνδήποτε εξαρτημάτων, λεπίδων ή αξεσουάρ.
- Σωματικές βλάβες από παρατεταμένη χρήση εργαλείου. Όταν χρησιμοποιείτε οποιοδήποτε εργαλείο για παρατεταμένα χρονικά διαστήματα, μην παραλείπετε με κανένα τρόπο να κάνετε τακτικά διαλείμματα.
- Βλάβη της ακοής.
- Κίνδυνοι για την υγεία λόγω εισπνοής σκόνης που αναπτύσσεται κατά τη χρήση του εργαλείου (παράδειγμα:- εργασία με ξύλο, ειδικά βελανιδιά, οξιά και MDF).

## Κραδασμοί

Η δηλωμένη τιμή εκπομπής κραδασμών που αναφέρεται στα τεχνικά χαρακτηριστικά και τη δήλωση συμμόρφωσης έχει μετρηθεί σύμφωνα με τυποποιημένη μέθοδο δοκιμής που προβλέπεται από το πρότυπο EN62841 και μπορεί να χρησιμοποιηθεί για τη σύγκριση ενός εργαλείου με ένα άλλο. Η δηλωμένη τιμή εκπομπής κραδασμών μπορεί επίσης να χρησιμοποιηθεί σε έναν προκαταρκτικό προσδιορισμό της έκθεσης σε κραδασμούς.



**Προειδοποίηση!** Στην πράξη, η τιμή εκπομπής κραδασμών κατά την χρήση του ηλεκτρικού εργαλείου μπορεί να διαφέρει από την τιμή που δηλώθηκε, ανάλογα με τον τρόπο που χρησιμοποιείται το εργαλείο. Το επίπεδο κραδασμών μπορεί να αυξηθεί πάνω από το επίπεδο που έχει δηλωθεί.

Κατά τον προσδιορισμό της έκθεσης σε κραδασμούς για τον καθορισμό των απαιτούμενων μέτρων ασφαλείας σύμφωνα με την οδηγία 2002/44/ΕΚ για την προστασία προσώπων που χρησιμοποιούν συχνά ηλεκτρικά εργαλεία στην εργασία τους, μια προσεγγιστική εκτίμηση της έκθεσης σε κραδασμούς πρέπει να λαμβάνει υπόψη τις πραγματικές συνθήκες χρήσης και τον τρόπο χρήσης του εργαλείου, συμπεριλαμβανομένων και όλων των επιμέρους τμημάτων του κύκλου εργασίας, όπως τα χρονικά διαστήματα που το εργαλείο ήταν εκτός λειτουργίας και τα διαστήματα λειτουργίας χωρίς φορτίο, επιπλέον του χρόνου πίεσης της σκανδάλης.

## Ετικέτες πάνω στο εργαλείο

Το εργαλείο φέρει τα παρακάτω εικονογράμματα μαζί με τον κωδικό ημερομηνίας:



**Προειδοποίηση!** Για να μειωθεί ο κίνδυνος τραυματισμού, ο χρήστης πρέπει να διαβάσει το εγχειρίδιο οδηγιών.



Όταν χρησιμοποιείτε κρουστικά δράπανα, να φοράτε ωτοασπίδες. Η έκθεση σε θόρυβο μπορεί να προκαλέσει απώλεια ακοής

## Ασφαλής χρήση ηλεκτρικού ρεύματος



Αυτό το εργαλείο φέρει διπλή μόνωση. Επομένως, δεν απαιτείται καλώδιο γείωσης. Πάντα ελέγχετε ότι η παροχή ρεύματος αντιστοιχεί στην τάση που αναφέρεται στην πινακίδα στοιχείων.

- ◆ Αν το καλώδιο ρεύματος έχει υποστεί ζημία, η αντικατάστασή του πρέπει να γίνει από τον κατασκευαστή ή από ένα εξουσιοδοτημένο κέντρο επισκευών της BLACK+DECKER, ώστε να μην αποτελέσει κίνδυνο.
  1. Διακόπτης ρύθμισης ταχύτητας
  2. Κουμπί συνεχόμενης λειτουργίας
  3. Διακόπτης επιλογής κίνησης προς τα εμπρός/πίσω
  4. Επιλογέας τρόπου διάτρησης
  5. Τσοκ
  6. Ασφάλεια του τσοκ
  7. Πλευρική λαβή

## Συναρμολόγηση

**Προειδοποίηση!** Πριν από τη συναρμολόγηση, βεβαιωθείτε ότι το εργαλείο είναι απενεργοποιημένο και ότι το φως δεν είναι συνδεδεμένο στην πρίζα.

## Τοποθέτηση της πλευρικής λαβής (εικ. Α)

- ◆ Περιστρέψτε το κουμπί (7c) αριστερόστροφα μέχρι να μπορείτε να περάσετε την πλευρική λαβή (7) στο μπροστινό μέρος του εργαλείου όπως φαίνεται στην εικόνα.

- ◆ Περιστρέψτε την πλευρική λαβή στην επιθυμητή θέση εξασφαλίζοντας ότι οι εγκοπές (7a) συμπλέκονται με την οδοντωτή προεξοχή (7b).
- ◆ Σφίξτε την πλευρική λαβή περιστρέφοντας το κουμπί (7c) δεξιόστροφα.

**Σημείωση:** η θέση της πλευρικής λαβής μπορεί να ρυθμιστεί ανάλογα με την προσωπική σας προτίμηση.

### Τοποθέτηση εξαρτήματος (εικ. Β)

- ◆ Πιέστε την ασφάλεια του τσοκ (6)
- ◆ Ανοίξτε το τσοκ περιστρέφοντας το κολάρο (5) αριστερόστροφα.
- ◆ Εισάγετε τον άξονα (8) του αξεσουάρ στο τσοκ.
- ◆ Σφίξτε το τσοκ περιστρέφοντας το κολάρο δεξιόστροφα.

### Χρήση

**Προειδοποίηση!** Αφήνετε το εργαλείο να λειτουργήσει με τον δικό του ρυθμό. Μην το υπερφορτώνετε.

**Προειδοποίηση!** Πριν τη διάτρηση τοίχων, δαπέδων ή ταβανιών, ελέγχετε για τις θέσεις καλωδιώσεων και σωλήνων.

### Ενεργοποίηση και απενεργοποίηση (εικ. C)

- ◆ Για να ενεργοποιήσετε το εργαλείο, πιέστε τον διακόπτη ρύθμισης ταχύτητας (1). Η ταχύτητα λειτουργίας του εργαλείου εξαρτάται από το πόσο πιέζετε το διακόπτη.
- ◆ Για συνεχόμενη λειτουργία, πατήστε το κουμπί συνεχόμενης λειτουργίας (2) και αφήστε ελεύθερο τον διακόπτη ρύθμισης ταχύτητας. Η επιλογή αυτή δεν λειτουργεί στην περιστροφή προς τα πίσω.
- ◆ Για να απενεργοποιήσετε το εργαλείο, απελευθερώστε τον διακόπτη ρύθμισης ταχύτητας. Για να απενεργοποιήσετε το εργαλείο, όταν βρίσκεται σε συνεχόμενη λειτουργία, πατήστε τον διακόπτη ρύθμισης ταχύτητας ακόμη μία φορά και αφήστε τον ελεύθερο. Πάντα κρατάτε το εργαλείο όπως υποδεικνύεται στην εικόνα G.

### Επιλογή της κατεύθυνσης περιστροφής (εικ. D)

Για διάτρηση και για βίδωμα, χρησιμοποιήστε την προς τα εμπρός (δεξιόστροφη) περιστροφή. Για ξεβίδωμα βίδας ή για αφαίρεση μύτης τρυπανιού που έχει κολλήσει χρησιμοποιείτε περιστροφή όπισθεν (αριστερόστροφη).

- ◆ Για να επιλέξετε περιστροφή εμπρός, πιέστε το συρόμενο κουμπί περιστροφής εμπρός/όπισθεν (3) προς τα αριστερά.
- ◆ Για να επιλέξετε περιστροφή όπισθεν, πιέστε το συρόμενο κουμπί περιστροφής εμπρός/όπισθεν προς τα δεξιά.

**Προειδοποίηση!** Ποτέ μην αλλάζετε την κατεύθυνση περιστροφής όταν το μοτέρ βρίσκεται σε λειτουργία.

### Επιλογή του τρόπου διάτρησης (εικ. Ε)

- ◆ Για κρουστική διάτρηση σε είδη τοιχοποιίας και σκυρόδεμα, θέστε τον επιλογέα τρόπου διάτρησης (4) στη θέση **T**.

- ◆ Για διάτρηση σε χάλυβα, ξύλο και πλαστικά ή για βίδωμα, θέστε τον επιλογέα τρόπου λειτουργίας (4) στη θέση **1**.

### Αξεσουάρ

Η απόδοση του εργαλείου σας εξαρτάται από το αξεσουάρ που χρησιμοποιείτε. Τα αξεσουάρ της BLACK+DECKER έχουν κατασκευαστεί μηχανικά με βάση πρότυπα υψηλής ποιότητας και είναι σχεδιασμένα να ενισχύουν την απόδοση του εργαλείου σας. Χρησιμοποιώντας αυτά τα αξεσουάρ, θα εξασφαλίσετε την καλύτερη δυνατή απόδοση του εργαλείου σας.

### Συντήρηση

Αυτή η συσκευή/το εργαλείο ρεύματος/μπαταρίας της BLACK+DECKER έχει σχεδιαστεί έτσι ώστε να λειτουργεί για μεγάλο χρονικό διάστημα με την ελάχιστη δυνατή συντήρηση. Η συνεχής ικανοποιητική λειτουργία εξαρτάται από τη σωστή φροντίδα και τον τακτικό καθαρισμό του εργαλείου.

**Προειδοποίηση!** Πριν πραγματοποιήσετε οποιαδήποτε συντήρηση σε ηλεκτρικά εργαλεία ρεύματος/μπαταρίας:

- ◆ Απενεργοποιήστε και αποσυνδέστε τη συσκευή/το εργαλείο από την πρίζα.
- ◆ Ή απενεργοποιήστε και αφαιρέστε την μπαταρία από τη συσκευή/το εργαλείο, εάν η συσκευή/το εργαλείο διαθέτει ξεχωριστό πακέτο μπαταριών.
- ◆ Ή χρησιμοποιήστε την μπαταρία μέχρι να αδειάσει εντελώς και στη συνέχεια απενεργοποιήστε το εργαλείο.
- ◆ Αποσυνδέστε τον φορτιστή από την πρίζα πριν τον καθαρίσετε. Ο φορτιστής σας δεν χρειάζεται καμία άλλη συντήρηση πέραν του τακτικού καθαρισμού.
- ◆ Καθαρίζετε τακτικά τα ανοίγματα εξερισμού της συσκευής/του εργαλείου/του φορτιστή χρησιμοποιώντας μια μαλακή βούρτσα ή ένα στεγνό πανί.
- ◆ Καθαρίζετε τακτικά το περίβλημα του μοτέρ με ένα ελαφρά υγρό πανί. Μη χρησιμοποιείτε καθαριστικά που χαράζουν ή περιέχουν διαλύτες.
- ◆ Να ανοίγετε τακτικά το τσοκ και να το χτυπάτε ελαφρά για να αφαιρείται η σκόνη από το εσωτερικό του (εφόσον έχει τοποθετηθεί).

### Αντικατάσταση του φινις ρευματοληψίας (Hv. Βασίλειο & Ιρλανδία μόνο)

Αν χρειάζεται να τοποθετηθεί νέο φινις ρευματοληψίας:

- ◆ Απορρίψτε με ασφαλή τρόπο το παλιό φινις.
- ◆ Συνδέστε τον καφέ αγωγό στον ηλεκτροφόρο ακροδέκτη (φάση) του νέου φινις.
- ◆ Συνδέστε τον μπλε αγωγό στον ουδέτερο ακροδέκτη.

**Προειδοποίηση!** Δεν πρέπει να γίνει καμία σύνδεση στον ακροδέκτη γείωσης. Ακολουθήστε τις οδηγίες συναρμολόγησής που συνοδεύουν τα καλής ποιότητας φινις. Συνιστώμενη ασφάλεια: 5 Α.

## Προστασία του περιβάλλοντος

Χωριστή συλλογή. Τα προϊόντα και οι μπαταρίες που επισημαίνονται με αυτό το σύμβολο δεν πρέπει να απορρίπτονται μαζί με τα κανονικά οικιακά απορρίμματα. Τα προϊόντα και οι μπαταρίες περιέχουν υλικά που μπορούν να ανακτηθούν ή να ανακυκλωθούν ώστε να μειωθούν οι ανάγκες για πρώτες ύλες. Παρακαλούμε να ανακυκλώνετε τα ηλεκτρικά προϊόντα και τις μπαταρίες σύμφωνα με τους τοπικούς κανονισμούς. Περισσότερες πληροφορίες διατίθενται στον ιστότοπο [www.2helpU.com](http://www.2helpU.com)

## Τεχνικά χαρακτηριστικά

		BEH550	BEH710
Όνομαστική ισχύς	$V_{AC}$	550	710
Ταχύτητα χωρίς φορτίο	$\text{min}^{-1}$	0 ~ 2800	0 ~ 2800
Ρυθμός κρούσης	$\text{min}^{-1}$	0 ~ 47600	0 ~ 47600
Βάρος	kg	1.7	1.76
<b>Μέγ. ικανότητα διάτρησης</b>			
Σκυρόδεμα	mm	13	13
Χάλυβας	mm	13	13
Ξύλο	mm	25	25

### BEH550 Στάθμη ηχητικής πίεσης σύμφωνα με το πρότυπο EN 62841:

Ηχητική πίεση ( $L_{pA}$ ) 93,5 dB(A), αβεβαιότητα (K) 5 dB(A)

Ηχητική ισχύς ( $L_{WA}$ ) 104,5 dB(A), αβεβαιότητα (K) 5 dB(A)

### BEH710 Στάθμη ηχητικής πίεσης σύμφωνα με το πρότυπο EN 62841:

Ηχητική πίεση ( $L_{pA}$ ) 95,5 dB(A), αβεβαιότητα (K) 5 dB(A)

Ηχητική ισχύς ( $L_{WA}$ ) 106,5 dB(A), αβεβαιότητα (K) 5 dB(A)

### BEH550 Συνολικές τιμές δόνησης (διανυσματικό άθροισμα τριών αξόνων) κατά EN 62841:

Κρουστική διάτρηση σε σκυρόδεμα ( $a_{h, D}$ ) 14,8  $\text{m/s}^2$ , αβεβαιότητα (K) 1,5  $\text{m/s}^2$

Διάτρηση σε μέταλλο ( $a_{h, D}$ ) 1,8  $\text{m/s}^2$ , αβεβαιότητα (K) 1,5  $\text{m/s}^2$

### BEH710 Συνολικές τιμές κραδασμών (διανυσματικό άθροισμα τριών αξόνων) κατά EN 62841:

Κρουστική διάτρηση σε σκυρόδεμα ( $a_{h, D}$ ) 16,2  $\text{m/s}^2$ , αβεβαιότητα (K) 1,5  $\text{m/s}^2$

Διάτρηση σε μέταλλο ( $a_{h, D}$ ) 1,9  $\text{m/s}^2$ , αβεβαιότητα (K) 1,5  $\text{m/s}^2$

Η Black & Decker δηλώνει ότι τα προϊόντα αυτά που περιγράφονται στα "τεχνικά χαρακτηριστικά" συμμορφώνονται με τα ακόλουθα:

EN62841-1:2015, EN 62841-2-1:2018+A11:2019.

Αυτά τα προϊόντα συμμορφώνονται και με την Οδηγία 2006/42/ΕΚ, 2014/30/ΕΕ και 2011/65/ΕΕ. Για περισσότερες πληροφορίες, επικοινωνήστε με την Black & Decker στην παρακάτω διεύθυνση ή ανατρέξτε στο πίσω μέρος του εγχειριδίου.

Ο κάτωθι υπογεγραμμένος είναι υπεύθυνος για την κατάρτιση του τεχνικού φακέλου και δηλώνει τα παρόντα εκ μέρους της Black & Decker.



Ed Higgins

Διευθυντής – Καταναλωτικά Ηλεκτρικά Εργαλεία  
Black & Decker Europe, 270 Bath Road, Slough,  
Berkshire, SL1 4DX  
United Kingdom (Ηνωμένο Βασίλειο)  
30/6/2020

## Εγγύηση

Η Black & Decker είναι σίγουρη για την ποιότητα των προϊόντων της και προσφέρει στους καταναλωτές εγγύηση 24 μηνών από την ημερομηνία αγοράς. Αυτή η εγγύηση συμπληρώνει και με κανένα τρόπο δεν παραβάλλει τα νόμιμα δικαιώματά σας. Η εγγύηση ισχύει εντός της επικράτειας των χωρών μελών της Ευρωπαϊκής Ένωσης και της Ευρωπαϊκής Ζώνης Ελευθερών Συναλλαγών.

Για να υποβάλτε αξίωση βάσει της εγγύησης, η αξίωση θα πρέπει να είναι σύμφωνη με τους Όρους και προϋποθέσεις της Black & Decker και θα χρειαστεί να υποβάλτε απόδειξη αγοράς στον πωλητή ή σε εξουσιοδοτημένο αντιπρόσωπο επισκευών. Μπορείτε να αποκτήσετε τους Όρους και προϋποθέσεις της εγγύησης 2 ετών της Black & Decker και να μάθετε την τοποθεσία του πλησιέστερου εξουσιοδοτημένου αντιπροσώπου επισκευών στο Internet στο [www.2helpU.com](http://www.2helpU.com), ή επικοινωνώντας με το τοπικό σας γραφείο Black & Decker στη διεύθυνση που υποδεικνύεται στο παρόν εγχειρίδιο.

Παρακαλούμε επισκεφθείτε την ιστοσελίδα μας [www.blackanddecker.gr](http://www.blackanddecker.gr) για να καταχωρίσετε το νέο σας προϊόν Black & Decker και για να ενημερωθείτε για τα νέα προϊόντα και τις ειδικές προσφορές.

**Δήλωση συμμόρφωσης EK**  
ΟΔΗΓΙΑ ΠΕΡΙ ΜΗΧΑΝΗΜΑΤΩΝ



BEH550, BEH710 Κρουστικό δράπανο



<b>België/Belgique/Luxembourg</b> www.blackanddecker.be enduser.be@sbdinc.com	Stanley Black & Decker Belgium BVBA Egide Walschaertsstraat 16 2800 Mechelen	Tel. NL +32 15 47 37 65 Tel. FR +32 15 47 37 66 Fax. +32 15 47 37 99
<b>Danmark</b>	Black & Decker Roskildevej 22 2620 Albertslund	kundeservice.dk@sbdinc.com www.blackanddecker.dk
<b>Deutschland</b> www.blackanddecker.de infobfge@sdbinc.com	Stanley Black & Decker Deutschland GmbH Black & Decker Str. 40, D - 65510 Idstein	Tel. 06126 21-0 Fax 06126 21-2980
<b>Ελλάδα</b> www.blackanddecker.gr greece.service@sbdinc.com	Stanley Black & Decker (ΕΛΛΑΣ) Ε.Π.Ε ΓΡΑΦΕΙΑ: Σπύριδωνος 7 & Βουλιαγμένης 166 74 Γλυφάδα - Αθήνα	Τηλ. 210-8981616 Φαξ 210-8983570
<b>SERVICE:</b>	Ημερος Τόπος 2 -Χάνι Αδάμ 193 00 Ασπρόπυργος - Αθήνα	Τηλ. Service 210-8985208 Φαξ 210-5597598
<b>España</b> www.blackanddecker.es respuesta.posventa@sbdinc.com	Stanley Black & Decker Ibérica, S.C.A. Parc de Negocis "Mas Blau" Edificio Muntadas, c/Bergadá, 1, Of. A6 08820 El Prat de Llobregat (Barcelona)	Tel. 934 797 400 Fax 934 797 419
<b>France</b> www.blackanddecker.fr	Black & Decker (France) S.A.S. 5 allée des Hêtres B.P. 30084 69579 Limonest Cédex	Tel. 04 72 20 39 20 Fax 04 72 20 39 00
<b>Helvetia</b> www.blackanddecker.ch service@rofoag.ch	ROFO AG Gewerbezone Seeblick 3213 Kleinbösingen	Tel. 026-6749393 Fax 026-6749394
<b>Italia</b> www.blackanddecker.it service.italia@sbdinc.com	Stanley Black & Decker Italia Via Energypark 6 20871 Vimercate (MB)	Tel. 039-9590200 Fax 039-9590313 Numero verde 800-213935
<b>Nederland</b> www.blackanddecker.nl enduser.nl@sbdinc.com	Stanley Black & Decker Netherlands BV Holtum Noordweg 35, 6121 RE BORN Postbus 83, 6120 AB BORN	Tel. +31 164 283 065 Fax +31 164 283 200
<b>Norge</b>	Black & Decker Postboks 4613, Nydalen 0405 Oslo	kundeservice.no@sbdinc.com www.blackanddecker.no
<b>Österreich</b> www.blackanddecker.at service.austria@sbdinc.com	Stanley Black & Decker Austria GmbH Oberlaaerstraße 248, A-1230 Wien	Tel. 01 66116-0 Fax 01 66116-614
<b>Portugal</b> www.blackanddecker.pt resposta.posvenda@sbdinc.com	Black & Decker Limited SARL Quinta da Fonte - Edifício Q55 D. Diniz Rua dos Malhães, 2 e 2A - Piso 2 Esquerdo 2770 - 071 Paço de Arcos	Tel. 214667500 Fax 214667580
<b>Suomi</b>	Black & Decker PL47 00521, Helsinki	asiakaspalvelu.fi@sbdinc.com www.blackanddecker.fi
<b>Sverige</b>	Black & Decker AB Box 94, 431 22 Mölndal	kundservice.se@sbdinc.com www.blackanddecker.se
<b>Türkiye</b> www.blackanddecker.com.tr	KALE Hırdavat ve Makina A.Ş. Defferdar Mah. Savaklar Cad. No:15 Edimekapı / Eyüp / İstanbul 34050	Tel. 0212 533 52 55 Fax. 0212 533 10 05
<b>United Kingdom &amp; Republic Of Ireland</b> www.blackanddecker.co.uk emeaservice@sbdinc.com	Black & Decker 270 Bath Road Slough, Berkshire SL1 4DX	Tel. 01753 511234 Fax 01753 512365
<b>Middle East &amp; Africa</b> www.blackanddecker.ae service.mea@sbdinc.com	Black & Decker P.O.Box - 17164 Jebel Ali Free Zone (South), Dubai, UAE	Tel. +971 4 8863030 Fax +971 4 8863333