

**PRO  
LINE**

**BLACK&DECKER®**

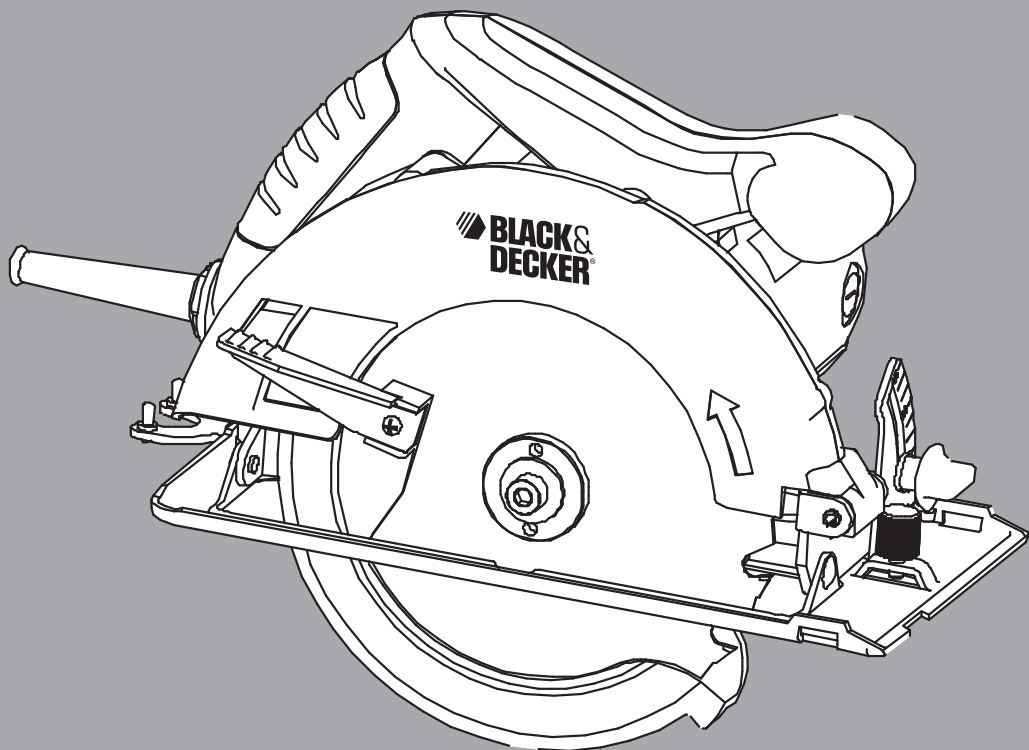


FIG. A

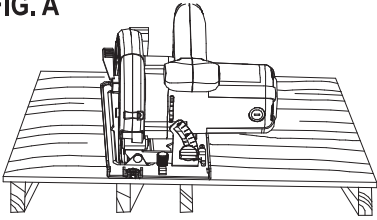


FIG. B

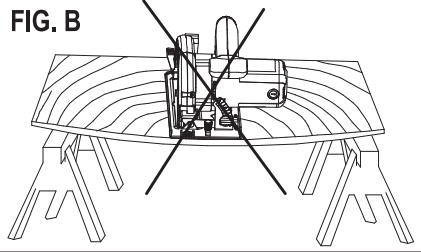


FIG. C

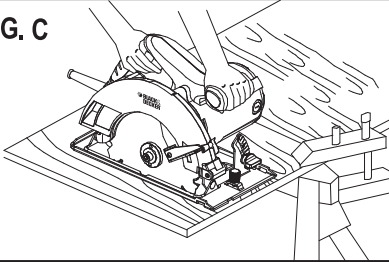


FIG. D

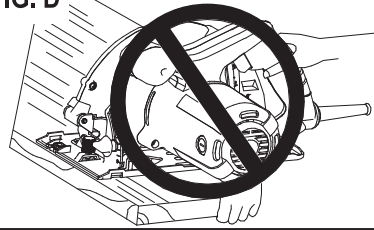


FIG. E

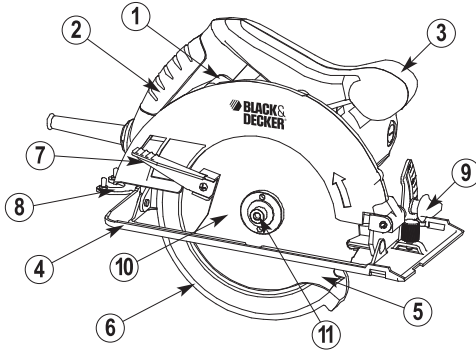


FIG. F

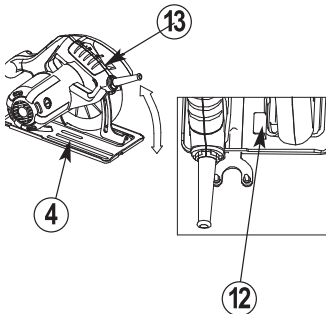


FIG. G

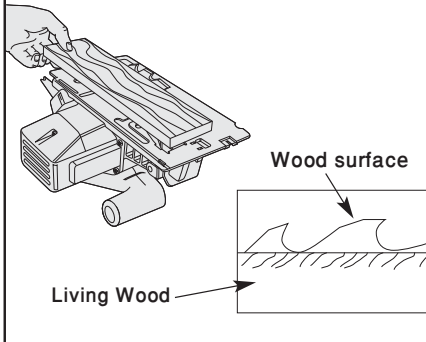


FIG. H

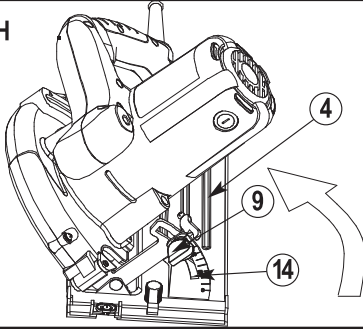


FIG. I

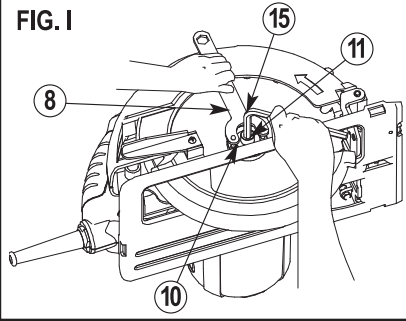


FIG. J

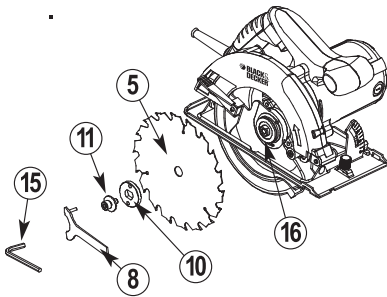


FIG. K

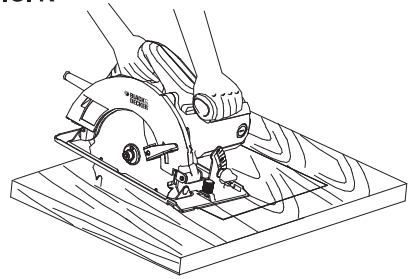


FIG. L

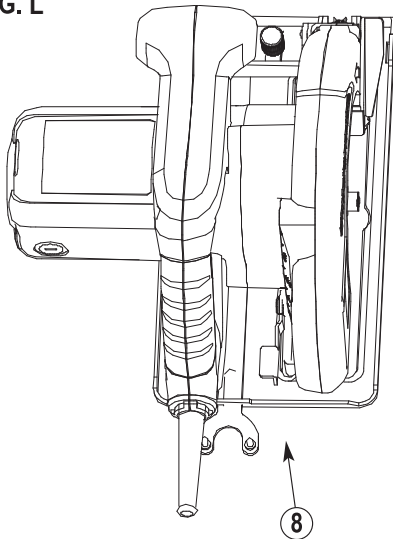
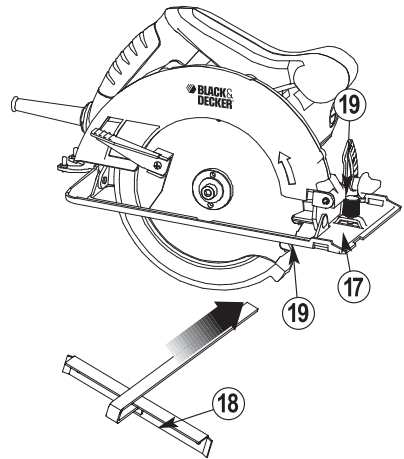


FIG. M



## Do not return this product to the store,

first contact your local Black & Decker office or nearest authorized service center.

## General safety rules

**Warning!** Read and understand all instructions. Failure to follow all instructions listed below, may result in electric shock, fire and/or serious personal injury.

## Safety instructions

### General power tool safety warnings.



**Warning! Read all safety warnings and all instructions.** Failure to follow the warnings and instructions listed below may result in electric shock, fire and/or serious injury.

### Save all warnings and instructions for future reference.

The term "power tool" in all of the warnings listed below refers to your mains operated (corded) power tool or battery operated (cordless) power tool.

#### 1. Work area safety

- a. **Keep work area clean and well lit.** Cluttered and dark areas invite accidents.
- b. **Do not operate power tools in explosive atmospheres, such as in the presence of flammable liquids, gases or dust.** Power tools create sparks which may ignite the dust or fumes.
- c. **Keep children and bystanders away while operating a power tool.** Distractions can cause you to lose control.

#### 2. Electrical safety

- a. **Power tool plugs must match the outlet. Never modify the plug in any way. Do not use any adapter plugs with earthed (grounded) power tools.** Unmodified plugs and matching outlets will reduce risk of electric shock.
- b. **Avoid body contact with earthed or grounded surfaces such as pipes, radiators, ranges and refrigerators.** There is an increased risk of electric shock if your body is earthed or grounded.

- c. **Do not expose power tools to rain or wet conditions.** Water entering a power tool will increase the risk of electric shock.

- d. **Do not abuse the cord. Never use the cord for carrying, pulling or unplugging the power tool. Keep cord away from heat, oil, sharp edges or moving parts.** Damaged or entangled cords increase the risk of electric shock.

- e. **When operating a power tool outdoors, use an extension cord suitable for outdoor use.** Use of a cord suitable for outdoor use reduces the risk of electric shock.

- f. **If operating a power tool in a damp location is unavoidable, use a residual current device (RCD) protected supply.** Use of an RCD reduces the risk of electric shock.

**Note:** The term "Residual Current Device (RCD)" can be replaced by "Ground Fault Circuit Interrupter (GFCI)" or by "Earth Leakage Circuit Breaker (ELCB)".

#### 3. Personal safety

- a. **Stay alert, watch what you are doing and use common sense when operating a power tool. Do not use a power tool while you are tired or under the influence of drugs, alcohol or medication.** A moment of inattention while operating power tools may result in serious personal injury.
- b. **Use personal protective equipment. Always wear eye protection.** Protective equipment such as dust mask, non-skid safety shoes, hard hat, or hearing protection used for appropriate conditions will reduce personal injuries.
- c. **Prevent unintentional starting. Ensure the switch is in the off-position before connecting to power source and/or battery pack, picking up or carrying the tool.** Carrying power tools with your finger on the switch or energising power tools that have the switch on invites accidents.
- d. **Remove any adjusting key or wrench before turning the power tool on.** A wrench or a key left attached to a rotating part of the power tool may result in personal injury.

- e. **Do not overreach. Keep proper footing and balance at all times.** This enables better control of the power tool in unexpected situations.
- f. **Dress properly. Do not wear loose clothing or jewellery. Keep your hair, clothing and gloves away from moving parts.** Loose clothes, jewellery or long hair can be caught in moving parts.
- g. **If devices are provided for the connection of dust extraction and collection facilities, ensure these are connected and properly used.** Use of these devices can reduce dust related hazards.

**4. Power tool use and care**

- a. **Do not force the power tool. Use the correct power tool for your application.** The correct power tool will do the job better and safer at the rate for which it was designed.
  - b. **Do not use the power tool if the switch does not turn it on and off.** Any power tool that cannot be controlled with the switch is dangerous and must be repaired.
  - c. **Disconnect the plug from the power source and/or the battery pack from the power tool before making any adjustments, changing accessories, or storing power tools.** Such preventive safety measures reduce the risk of starting the power tool accidentally.
  - d. **Store idle power tools out of the reach of children and do not allow persons unfamiliar with the power tool or these instructions to operate the power tool.** Power tools are dangerous in the hands of untrained users.
  - e. **Maintain power tools. Check for misalignment or binding of moving parts, breakage of parts and any other condition that may affect the power tools operation. If damaged, have the power tool repaired before use.** Many accidents are caused by poorly maintained power tools.
  - f. **Keep cutting tools sharp and clean.** Properly maintained cutting tools with sharp cutting edges are less likely to bind and are easier to control.
- 5. Service**
- a. **Have your power tool serviced by a qualified repair person using only identical replacement parts.** This will ensure that the safety of the power tool is maintained.

**6. Electrical safety**











This tool is double insulated; therefore no earth wire is required. Always check that the power supply corresponds to the voltage on the rating plate.

**Warning!** If the power cord is damaged, it must be replaced by the manufacturer, authorized Black & Decker Service Center or an equally qualified person in order to avoid damage or injury. If the power cord is replaced by an equally qualified person, but not authorized by Black & Decker, the warranty will not be valid.

**7. Labels on tool**

The label on your tool may include the following symbols:

	Read Instructions Manual	Hz ..... Hertz		Class II Construction
	Use Eye Protection	W ..... Watts		Earthing Terminal
	Use Ear Protection	min ..... minutes		Safety Alert Symbol
V ..... Volts			...../min..	Revolutions or Reciprocation per minute
A ..... Amperes				
		$n_0$ ..... No-Load Speed		

**Specific safety rules**

- **Adjust the cutting depth to the thickness of the workpiece.** Less than a full tooth of the blade teeth should be visible below the workpiece
- **Do not reach underneath the work.** The guard can not protect you from the blade below the work.

**Lower guard function**

- **Check lower guard for proper closing before each use. Do not operate the saw if lower guard does not move freely and close instantly. Never clamp or tie the lower guard into the open position.**
- **Check the operation of the lower guard spring. If the guard and the spring are not operating properly, they must be serviced before use.**

- **Lower guard may be retracted manually only for special cuts such as "plunge cuts" and "compound cuts".** Raise lower guard by retracting handle and as soon as blade enters the material, the lower guard must be released.
- **Always observe that the lower guard is covering the blade before placing saw down on bench or floor.**
- When the blade is pinched or bound tightly by the kerf closing down, the blade stalls and the motor reaction drives the unit rapidly back toward the operator.
- If the blade becomes twisted or misaligned in the cut, the teeth at the back edge of the blade can dig into the top surface of the wood causing the blade to climb out of the kerf and jump back toward operator.

## Cutting procedures

- **DANGER: Keep hands away from cutting area and the blade. Keep your second hand on auxiliary handle, or motor housing.**
- **Do not reach underneath the workpiece.**
- **Adjust the cutting depth to the thickness of the workpiece.**
- **NEVER hold piece being cut in your hands or across your leg.** It is important to support the work properly to minimize body exposure, blade binding, or loss of control.
- **Hold tool by insulated gripping surfaces when performing an operation where the cutting tool may contact hidden wiring or its own cord.** Contact with a "live" wire will also make exposed metal parts of the tool "live" and shock the operator.
- **When ripping, always use a rip fence or straight edge guide.** This improves the accuracy of cut and reduces the chance for blade binding.
- **Always use blades with correct size and shape (diamond vs. round) arbor holes.** Blades that do not match the mounting hardware of the saw will run eccentrically, causing loss of control.
- **Never use damaged or incorrect blade washers or bolts.** The blade washers and bolt were specially designed for your saw, for optimum performance and safety of operation.
- Kickback is the result of tool misuse and/or incorrect operating procedures or conditions and can be avoided by taking proper precautions as given below.
  - Maintain a firm grip with both hands on the saw and position your body and arm to allow you to resist KICKBACK forces.** Kickback forces can be controlled by the operator, if proper precautions are taken.
  - When blade is binding, or when interrupting a cut for any reason, release the trigger and hold the saw motionless in the material until the blade comes to a complete stop. Never attempt to remove the saw from the work or pull the saw backward while the blade is in motion or KICKBACK may occur.** Investigate and take corrective actions to eliminate the cause of blade binding.
  - When restarting a saw in the workpiece, center the saw blade in the kerf and check that the saw teeth are not engaged into the material.** If saw blade is binding, it may walk up or KICKBACK from the workpiece as the saw is restarted.
  - Support large panels to minimize the risk of blade pinching and KICKBACK.** Large panels tend to sag under their own weight. Support must be placed under the panel on both sides, near the line of cut and near the edge of the panel.
  - Do not use dull or damaged blade.** Unsharpened or improperly set blades produce narrow kerf causing excessive friction, blade binding, and KICKBACK.
  - Blade depth and bevel adjusting locking levers must be tight and secure before making cut.** If blade adjustment shifts while cutting, it may cause binding and KICKBACK.
  - Use extra caution when making a "Pocket Cut" into existing walls or other blind areas.** The protruding blade may cut objects that can cause KICKBACK.

## Causes and operator prevention of kickback

- Kickback is a sudden reaction to a pinched, bound or misaligned saw blade, causing an uncontrolled saw to lift up and out of the workpiece toward the operator.

## Safety guidelines/ definitions

It is important for you to read and understand this manual. The information it contains relates to protecting **Your Safety** and **Preventing Problems**. The symbols below are used to help you recognize this information.



**Danger!** Indicates an imminently hazardous situation which, if not avoided, will result in death or serious injury.



**Warning!** Indicates a potentially hazardous situation which, if not avoided, could result in death or serious injury.



**Caution!** Indicates a potentially hazardous situation which, if not avoided, may result in minor or moderate injury.



**Caution!** Used without the safety alert symbol indicates potentially hazardous situation which, if not avoided, may result in property damage.

## Additional safety rules for circular saws



**Warning!** Some dust created by power sanding, sawing, grinding, drilling, and other construction activities contains chemicals known to cause cancer, birth defects or other reproductive harm. Some examples of these chemicals are:

- Lead from lead-based paints,
- Crystalline silica from bricks and cement and other masonry products,
- Arsenic and chromium from chemically-treated lumber (CCA).

Your risk from these exposures varies, depending on how often you do this type of work. To reduce your exposure to these chemicals:

- Work in a well ventilated area, and work with approved safety equipment, such as those dust masks that are specially designed to filter out microscopic particles.
- **Avoid prolonged contact with dust from power sanding, sawing, grinding, drilling, and other construction activities. Wear protective clothing and**

**wash exposed areas with soap and water.** Allowing dust to get into your mouth, eyes, or lay on the skin may promote absorption of harmful chemicals.



**Warning!** Use of this tool can generate and/or disburse dust, which may cause serious and permanent respiratory or other injury. Always use NIOSH/OSHA approved respiratory protection appropriate for the dust exposure. Direct particles away from face and body.



**Caution!** Wear appropriate hearing protection during use. Under some conditions and duration of use, noise from this product may contribute to hearing loss.

- **Snagging the lower guard on a surface below the material being cut can momentarily reduce operator control.** The saw can lift partially out of the cut increasing the chance of blade twist. Ensure there is sufficient clearance under the workpiece.
- **When necessary to raise lower guard manually, use the retracting lever.**
- **Keep the Blades Clean and Sharp.** Sharp blades minimize stalling and kickback. The use of dull and/or dirty blades can increase the saw loading causing the operator to push harder which promotes twisting.



**Caution! Laceration Hazard. Keep hands away from cutting areas.** Keep hands away from blades. Never place hands in front of or behind the path of the blade while cutting. Do not reach underneath work while blade is rotating. Do not attempt to remove cut material when blade is moving.

- **Support large panels.** Large panels must be supported as shown (**Fig. A**) in this manual to minimize the risk of blade pinching and kickback. Material supported only at the ends (**Fig. B**) will lead to blade pinching. When cutting operation requires the resting of the saw on the workpiece, the saw shall be rested on the larger portion and the smaller piece cut off.
- **Use only correct blades and blade assembly components when mounting blades.** Do not use blades with incorrect size holes. Never use defective or incorrect blade washers or bolts. Follow blade assembly procedures.

- **Adjustments.** Before cutting be sure depth and bevel adjustments are tight.
- **Support and secure the work properly.** Insure that the material to be cut is clamped (Fig. C) and solidly supported and balanced on a strong, stable and level work surface. Support the work so that the wide portion of the saw shoe is on the portion of the material that doesn't fall after the cut is made. Never hold cut off piece by hand (Fig. D). KICKBACK from blade pinch can result. Keep both hands on saw at all times.
- **Stay alert and exercise control.** Keep body positioned to one side of blade. Always maintain a firm grip and control of saw with both hands. Do not change hand grip or body position while saw is running. Take precaution to avoid injury from cut off pieces and other falling material during operation.



**Danger! Release switch immediately if blade binds or saw stalls.**

## Features (fig. e)

This tool includes some or all of the following features.

1. On/Off Switch
2. Main Handle
3. Secondary Handle
4. Shoe
5. Saw Blade
6. Saw Blade Guard
7. Blade Guard Retracting Lever
8. Saw Blade Spanner Wrench
9. Bevel Adjustment Knob
10. Outer Washer
11. Blade Retaining Screw Saw Blade Hex Wrench (Not shown) Rip Fence (Shown on Fig. M)

## Assembly/adjustment set-up



**Warning!** Always unplug saw from power supply before any of the following operations.

### Adjusting the Depth of Cut (Fig. F and G)

The depth of cut should be set according to the thickness of the workpiece.

- Loosen the lever (12) to unlock the saw shoe.
- Move the saw shoe (4) into the desired position. The corresponding depth of cut can be read from the scale (13).
- Tighten the lever to lock the saw shoe in place.
- Set depth adjustment of saw such that one tooth of the blade projects below the workpiece as shown in Fig. G.

### Adjusting the Bevel Angle (Fig. H)

This tool can be set to bevel angles between 0° and 45°

- Loosen the locking knob (9) to unlock the saw shoe.
- Move the saw shoe (4) into the desired position. The corresponding bevel angle can be read from the scale (14).
- Tighten the locking knob to lock the saw shoe in place.

### Attaching the Blade (Fig. I and J)

- To prevent spindle rotation engage the protrusions of the spanner wrench (8) into the holes in the outer washer (10) as shown in Fig. I.
- Loosen and remove the blade retaining screw (11) by turning the hex wrench (15) counter- clockwise.
- Remove the outer washer.
- Place the saw blade (5) onto the inner flange (16), making sure that the arrow on the blade points in the same direction as the arrow on the tool.



- Fit the outer washer (10) on the spindle, with the beveled edge facing away from the blade.
- Insert the blade retaining screw (11) into the hole in the spindle.
- Prevent spindle rotation by engaging the spanner wrench into the holes of the outer washer.
- Securely tighten the blade retaining screw by holding the spanner wrench and turning hex wrench clockwise to tighten the blade retaining screw.
- With plug inserted and guard closed, make sure switch turns saw on and off.



**Warning!** It is important to support the work properly and to hold the saw firmly to prevent loss of control which could cause personal injury. Fig. C illustrates recommended hand position.

## Operation

### Switch

- To operate the tool, depress the trigger switch (1). The tool will continue to run as long as the trigger is depressed.
- To turn the tool off, release the trigger switch (1). There is no provision for locking the tool on, and the switch should never be locked on by any other means.

## Removing the Blade

- To prevent spindle rotation, engage the protrusions of the spanner wrench (8) into the holes in the outer washer (10).
- Loosen and remove the blade retaining screw (11) by turning it counterclockwise using the hex wrench (15).
- Remove the outer washer (10).
- Remove the saw blade (5).



**Warning!** To reduce the risk of serious personal injury, read, understand and follow all important safety warnings and instructions prior to using tool

## General cuts.

### Guard Against Kickback

With unit unplugged, follow all assembly, adjustment and set up instructions. Make sure lower guard operates. Select the proper blade for the material to be cut.

- Measure and mark work for cutting.
- Support and secure work properly (See Safety Rules and Instructions).
- Use appropriate and required safety equipment (See Safety Rules).
- Secure and maintain work area (See Safety Rules).

### Sawing



**Warning!** To reduce the risk of serious personal injury, always hold the tool with both hands.

- Let the blade run freely for a few seconds before starting the cut.
- Apply only a gentle pressure to the tool while performing the cut.
- Work with the shoe pressed against the workpiece.

## Hints for optimum use

- As some splintering along the line of cut on the top side of the workpiece cannot be avoided, cut on the side where splintering is acceptable.
- Where splintering is to be minimized, e.g. when cutting laminates, clamp a piece of plywood onto the top of the workpiece.

### Pocket Cutting (Fig. K)

**Pocket cutting is used to cut a hole in a piece of material without cutting from the side.**

- Measure and mark work.

- Tilt saw forward and rest front of the shoe on material to be cut. Align so that cut will begin at the back of the drawn rectangle shown in Fig. K.
- Using the retracting lever, retract blade guard to an upward position, with the blade just clearing the material, start motor and gradually lower the saw into the material.



**Warning!** As blade starts cutting the material, release the retracting lever immediately.

- Never tie the blade guard in a raised position.
- When the shoe rests flat on the material being cut, complete the cut in forward direction.
- Allow the blade to come to a complete stop before lifting saw from material.
- When starting each new cut, repeat the above steps.

## Wrench Storage (Fig. L)

The spanner wrench (8) can be stored on the saw shoe as shown in Fig. L.

## Attaching and Removing the Rip Fence (Fig. M)

The rip fence is used to saw in a straight line parallel to the edge of the working piece.

### Attaching

- Loosen the locking knob (17).
- Insert the rip fence (18) through the openings (19).
- Slide the rip fence into the desired position.
- Tighten the locking knob.

### Removing

- Loosen the locking knob.
- Pull the rip fence out of the tool.

**Note:** If you do not have a proper fitting fence, use a straight edge guide in contact with the edge of the shoe to improve

accuracy of cut and reduce the possibility of binding and kickback.

## Accessories

The performance of your tool depends on the accessory used. Black & Decker and Piranha accessories are engineered to high quality standards and designed to enhance the performance of your tool. By using these accessories you will get the very best from your tool.



**Warning!** The use of any accessory not recommended for use with this tool could be hazardous. Use only 7-1/4" (184mm) blades with 5/8" diameter arbor.

**Exception:** 7" (175mm) abrasive blades can be used. When cutting metal, be careful of hot sparks which are thrown by the blade.

## Maintenance

Your tool has been designed to operate over a long period of time with a minimum of maintenance. Continuous satisfactory operation depends upon proper tool care and regular cleaning.



**Warning!** Before performing any maintenance, switch off and unplug the tool.

- Regularly clean the ventilation slots in your tool using a soft brush or dry cloth.
- Regularly clean the motor housing using a damp cloth. Do not use any abrasive or solvent-based cleaner.



**Important!** To assure product **Safety** and **Reliability**, repairs, maintenance and adjustment (other than those listed in this manual) should be performed by authorized service centers or other qualified service personnel, always using identical replacement parts.

## Lubrication

Black & Decker tools are properly lubricated at the factory and are ready for use.

## Technical data

SPECIFICATION	BPSC1607	
Voltage	V	220-240 V ~ 50/60 Hz
Power	W	1600
No-Load Speed	/min	5500

## Troubleshooting

Problem	Possible Cause	Possible Solution
<ul style="list-style-type: none"> <li>• Unit will not start.</li> </ul>	<ul style="list-style-type: none"> <li>• Cord not plugged in.</li> </ul>	<ul style="list-style-type: none"> <li>• Plug tool into a working outlet.</li> </ul>
	<ul style="list-style-type: none"> <li>• Circuit fuse is blown.</li> </ul>	<ul style="list-style-type: none"> <li>• Replace circuit fuse. (If the product repeatedly causes the circuit fuse to blow, discontinue use immediately and have it serviced at a Black &amp; Decker service center or authorized servicer).</li> </ul>
	<ul style="list-style-type: none"> <li>• Circuit breaker</li> </ul>	<ul style="list-style-type: none"> <li>• Reset circuit breaker. (If the product repeatedly causes the circuit breaker to trip, discontinue use immediately and have it serviced at a Black &amp; Decker service center or authorized servicer). is tripped.</li> </ul>
	<ul style="list-style-type: none"> <li>• Cord or switch is damaged.</li> </ul>	<ul style="list-style-type: none"> <li>• Have cord or switch replaced at Black &amp; Decker Service Center or Authorized Servicer.</li> </ul>

## Protecting the environment



Separate collection. This product must not be disposed of with normal household waste.

Should you find one day that your Black & Decker product needs replacement, or if it is of no further use to you, do not dispose of it with household waste. Make this product available for separate collection.



Separate collection of used products and packaging allows materials to be recycled and used again. Reuse of recycled materials helps prevent environmental pollution and reduces the demand for raw materials.

Local regulations may provide for separate collection of electrical products from the household, at municipal waste sites or by the retailer when you purchase a new product.

Black & Decker provides a facility for the collection and recycling of Black & Decker products once they have reached the end of their working life. To take advantage of this service please return your product to any authorised repair agent who will collect them on our behalf.

You can check the location of your nearest authorised repair agent by contacting your local Black & Decker office at the address indicated in this manual. Alternatively, a list of authorised Black & Decker repair agents and full details of our after-sales service and contacts are available on the Internet at: [www.2helpU.com](http://www.2helpU.com).

## Service information

Black & Decker offers a full network of company-owned and authorized service locations. All Black & Decker Service Centers are staffed with trained personnel to provide customers with efficient and reliable power tool service. For more information about our authorized service centers and if you need technical advice, repair, or genuine factory replacement parts, contact the Black & Decker location nearest you, or visit us at [www.BlackandDecker-la.com](http://www.BlackandDecker-la.com)

## Guarantee

Black & Decker is confident of the quality of its products and offers an outstanding guarantee. This guarantee statement is in addition to and in no way prejudices your statutory rights. The guarantee is valid within the territories of the Member States of the European Union and the European Free Trade Area.

If a Black & Decker product becomes defective due to faulty materials, workmanship or lack of conformity, within 12 months from the date of purchase, Black & Decker guarantees to replace defective parts, repair products subjected to fair wear and tear or replace such products to make sure of the minimum inconvenience to the customer unless:

- The product has been used for trade, professional or hire purposes.
- The product has been subjected to misuse or neglect.
- The product has sustained damage through foreign objects, substances or accidents.
- Repairs have been attempted by persons other than authorised repair agents or Black & Decker service staff.

To claim on the guarantee, you will need to submit proof of purchase to the seller or an authorised repair agent. You can check the location of your nearest authorised repair agent by contacting your local Black & Decker office at the address indicated in this manual. Alternatively, a list of authorised Black & Decker repair agents and full details of our aftersales service and contacts are available on the Internet at:

[www.2helpU.com](http://www.2helpU.com)

Please visit our website [www.blackanddecker.co.uk](http://www.blackanddecker.co.uk) to register your new Black & Decker product and to be kept up to date on new products and special offers. Further information on the Black & Decker brand and our range of products is available at [www.blackanddecker.co.uk](http://www.blackanddecker.co.uk).

FIG. A

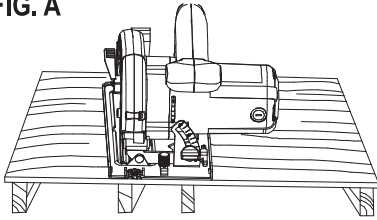


FIG. B

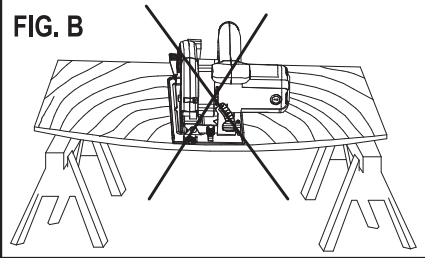


FIG. C

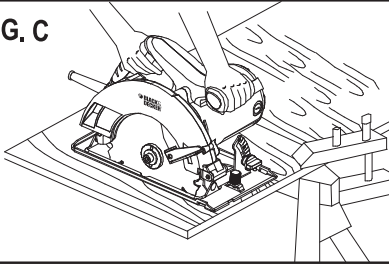


FIG. D

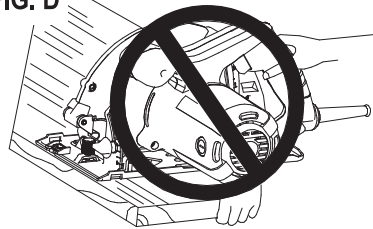


FIG. E

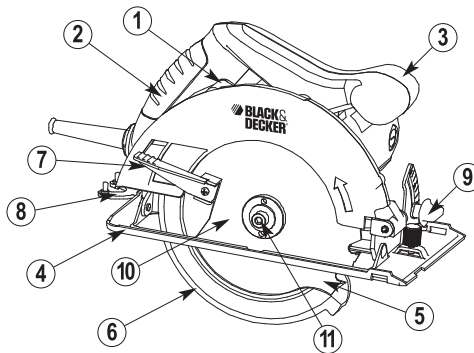


FIG. F

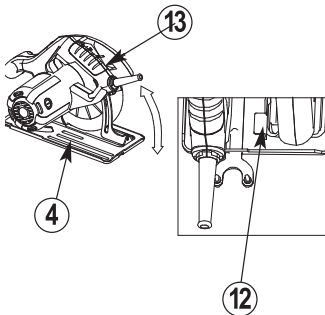


FIG. G

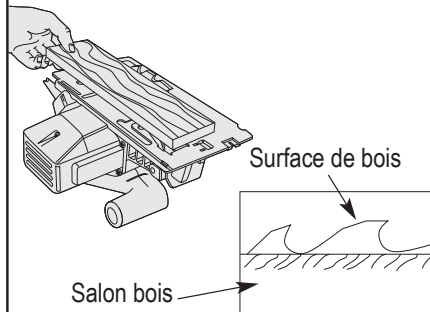


FIG H

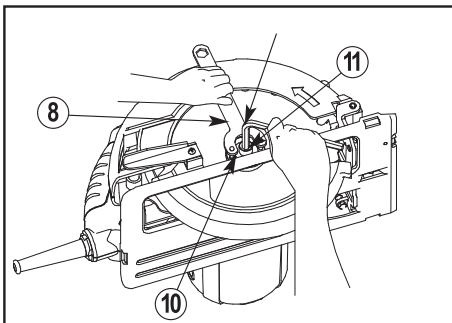
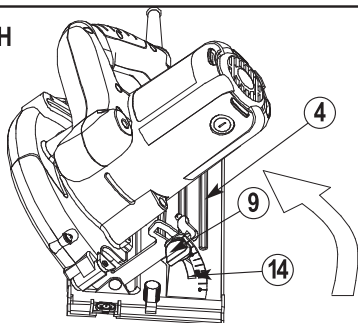


FIG J

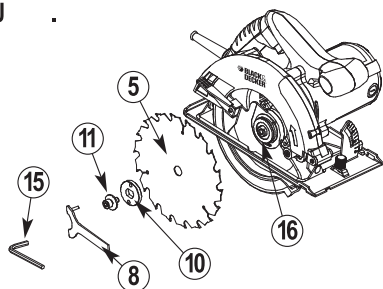


FIG. K

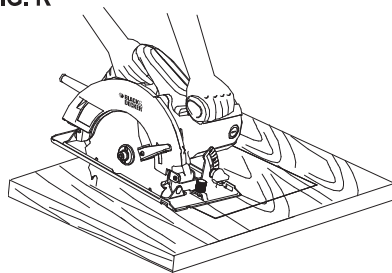


FIG. L

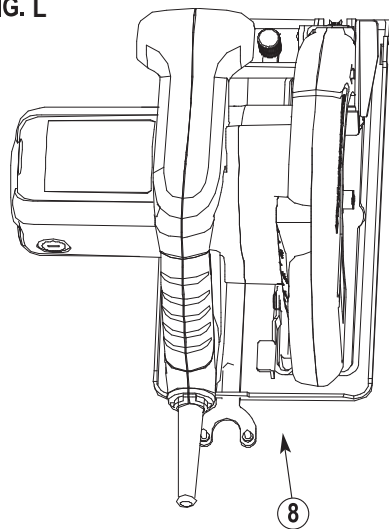
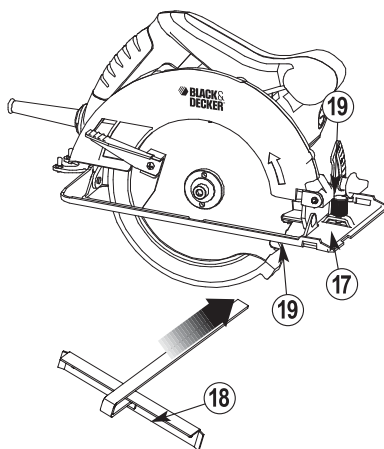


FIG. M



## Ne retournez pas cet appareil au magasin,

contactez d'abord le bureau local Black & Decker ou le centre de service agréé le plus proche.

## Consignes générales de sécurité

**Attention!** Lire et bien comprendre toutes les instructions. Le non-respect de toutes les instructions ci-dessous peut entraîner un choc électrique, un incendie et/ou des blessures graves.

## Consignes de sécurité

### Consignes de sécurité concernant les outils électroportatifs



**Attention ! Lisez avec attention tous les avertissements et toutes les instructions.** Le non-respect de cette consigne peut entraîner une électrocution, un incendie et/ou de graves blessures.

### Conservez tous les avertissements et instructions pour référence ultérieure.

La notion d'« outil électroportatif » mentionnée par la suite se rapporte à des outils électriques raccordés au secteur (avec câble de raccordement) ou fonctionnant avec batterie (sans fil).

#### 1. Sécurité de la zone de travail

- a. **Maintenez la zone de travail propre et bien éclairée.** Un lieu de travail en désordre ou mal éclairé augmente le risque d'accidents.
- b. **N'utilisez pas les outils électroportatifs dans un environnement présentant des risques d'explosion, ni en présence de liquides, gaz ou poussières inflammables.** Les outils électroportatifs génèrent des étincelles risquant d'enflammer les poussières ou les vapeurs.
- c. **Pendant l'utilisation d'un outil électroportatif, les enfants et autres personnes doivent rester éloignés.** En cas d'inattention, vous risquez de perdre le contrôle de l'outil.

#### 2. Sécurité électrique

- a. **La prise de l'outil électroportatif doit convenir à la prise de courant. Ne modifiez en aucun cas la prise. N'utilisez pas de prises d'adaptateur avec des outils ayant une prise de terre.** Le respect de ces consignes réduit le risque de choc électrique.
- b. **Évitez le contact physique avec des surfaces mises à la terre telles que tuyaux, radiateurs, fours et réfrigérateurs.** Le risque de choc électrique augmente si votre corps est relié à la terre.

- c. **N'exposez pas l'outil électroportatif à la pluie ni à l'humidité.** La pénétration d'eau dans un outil électroportatif augmente le risque de choc électrique.
- d. **Préservez le câble d'alimentation. N'utilisez pas le câble pour porter l'outil, pour l'accrocher ou encore pour le débrancher. Maintenez le câble éloigné des sources de chaleurs, des parties huilées, des bords tranchants ou des parties de l'outil en rotation.** Le risque de choc électrique augmente si les câbles sont endommagés ou emmêlés.
- e. **Si vous utilisez l'outil électroportatif à l'extérieur, utilisez une rallonge homologuée pour utilisation à l'air libre.** L'utilisation d'une rallonge électrique homologuée pour les travaux à l'extérieur réduit le risque de choc électrique.
- f. **Si l'outil doit être utilisé dans un endroit humide, prenez les précautions nécessaires en utilisant un dispositif à courant résiduel (RCD).** L'utilisation d'un tel dispositif réduit les risques d'électrocution.

**Remarque:** Le terme "dispositif à courant résiduel (RCD)" peut être remplacé par "disjoncteur de fuite à la terre (GFCI)" ou par "interrupteur différentiel de sécurité (ELCB)".

#### 3. Sécurité personnelle

- a. **Restez vigilant, surveillez ce que vous faites. Faites preuve de bon sens quand vous utilisez un outil électroportatif. N'utilisez pas l'outil lorsque vous êtes fatigué ou après avoir consommé de l'alcool ainsi que des médicaments.** Un moment d'inattention lors de l'utilisation de l'outil peut entraîner de graves blessures.
- b. **Portez un équipement de protection. Portez toujours des lunettes de protection.** Selon le travail à effectuer, le port d'équipement de protection tels que masque anti-poussières, chaussures de sécurité antidérapantes, casque ou protection auditive, réduit le risque de blessures.
- c. **Évitez un démarrage imprévu. L'outil doit être en position OFF (arrêt) avant d'effectuer le branchement à l'alimentation et/ou au bloc-batterie, de le ramasser ou de le porter.** Ne laissez pas votre doigt sur le bouton de commande, ceci peut être à l'origine d'accidents.
- d. **Retirez tout outil ou clé de réglage avant de mettre l'outil en marche.** Une clé ou un outil se trouvant sur une partie en rotation peut causer des blessures.
- e. **Adoptez une position confortable. Adoptez une position stable et gardez votre équilibre en permanence.** Vous contrôlerez ainsi mieux l'outil dans des situations inattendues.

f. **Portez des vêtements appropriés. Ne pas porter de vêtements amples ou de bijoux. N'approchez pas les cheveux, vêtements ou gants des parties des pièces mobiles.** Les vêtements amples, les bijoux ou les cheveux longs peuvent se prendre dans les pièces en mouvement.

g. **En cas d'utilisation d'appareils servant à aspirer ou à recueillir les poussières, assurez-vous qu'ils sont correctement raccordés et utilisés.** L'utilisation de tels appareils permet de réduire les dangers liés aux poussières.

## 4. Utilisation des outils électroportatifs et précautions

a. **Respectez la capacité de l'outil. Utilisez l'outil électroportatif approprié pour le travail à effectuer.** Avec un outil approprié, vous travaillerez mieux et en toute sécurité.

b. **N'utilisez pas un outil électroportatif dont le bouton marche/arrêt est défectueux.** Un outil électroportatif qui ne peut plus être mis en marche ou arrêté est dangereux et doit être réparé.

c. **Retirez la prise de courant et/ou débranchez le bloc-batterie avant d'effectuer des réglages, de changer les accessoires ou de ranger l'outil.** Cette mesure de précaution empêche de mettre l'outil en marche accidentellement.

d. **Rangez les outils électroportatifs hors de portée des enfants. Les personnes ne connaissant pas l'outil ou n'ayant pas lu ces instructions ne doivent en aucun cas l'utiliser.** Les outils électroportatifs sont dangereux lorsqu'ils sont utilisés par des personnes non initiées.

e. **Prenez soin des outils électroportatifs. Vérifiez que les parties en mouvement fonctionnent correctement et qu'elles ne sont pas coincées. Vérifiez qu'il n'y a pas de pièces cassées ou endommagées susceptibles de nuire au bon fonctionnement de l'outil. S'il est endommagé, faites réparer l'outil avant de l'utiliser.** De nombreux accidents sont la conséquence d'outils mal entretenus.

f. **Maintenez les outils de coupe aiguisés et propres.** Des outils soigneusement entretenus avec des bords tranchants bien aiguisés se coincent moins souvent et peuvent être guidés plus facilement.

## 5. Réparations

a. **Faites réparer votre outil électroportatif uniquement par du personnel qualifié et seulement avec des pièces de rechange appropriées.** La fiabilité de l'outil sera ainsi maintenue.

## 6. Sécurité électrique











Cet outil est doublement isolé; par conséquent, aucun câble de mise à la terre n'est nécessaire. Vérifiez toujours que la tension secteur correspond à celle indiquée sur la plaque signalétique.

**Attention!** Si le câble d'alimentation est endommagé, il doit être remplacé par le fabricant, par un centre de réparation Black & Decker agréé ou par un technicien qualifié, de façon à éviter les dommages matériels et corporels. En cas de remplacement du câble d'alimentation par un technicien qualifié mais non agréé par Black & Decker, la garantie ne sera pas valable.

## 7. Etiquettes apposées sur les outils

L'étiquette apposée sur votre outil peut contenir les symboles suivants:

	Lire le manuel d'instructions	Hz ..... Hertz		Construction de classe II
	Utiliser une protection oculaire	W ..... Watts		Borne de terre
	Utiliser des protections auditives	min ..... minutes		Symbole d'alerte de sécurité
V ..... Volts			...../min..	Rotations par minute
A ..... Ampères				
		$n_0$ ..... Vitesse à vide		

## Consignes de sécurité spécifiques

- **Gardez les mains à distance de la zone de sciage et de la lame de scie. Tenez la poignée supplémentaire ou le carter du moteur de l'autre main.** Si vous tenez la scie circulaire avec vos deux mains, celles-ci ne peuvent pas être blessées par la lame de scie.
- **Positionnez votre corps d'un côté ou de l'autre de la lame de scie, ne vous placez jamais dans l'alignement de la lame. En cas de contrecoup, la scie circulaire risque d'être propulsée vers l'arrière.** (Voir le paragraphe "Causes de contrecoup et mesures de prévention.")
- **Ne passez pas les mains sous la pièce à travailler.** Sous la pièce à travailler le carter de protection de lame ne peut pas vous protéger de la lame de scie.
- **Contrôlez avant chaque utilisation la fermeture correcte du carter inférieur de protection. N'utilisez pas la scie si le carter inférieur de protection ne bouge pas librement et ne se ferme pas automatiquement. Ne fixez et n'attachez jamais le carter inférieur de protection pour le laisser en position ouverte.** Si, par mégarde, la scie tombe par terre, le carter inférieur de protection risque d'être déformé. Levez le carter inférieur de protection à l'aide du levier de rétraction, assurez-vous qu'il peut bouger librement et ne touche ni la lame de scie ni d'autres éléments de l'appareil, quel que soit l'angle ou la profondeur de coupe.



- **Contrôlez le bon fonctionnement du ressort du carter inférieur de protection. Si le carter de protection de lame et le ressort ne fonctionnent pas correctement, faites effectuer un entretien de l'appareil avant de l'utiliser.** Des pièces endommagées, des restes de colle ou des accumulations de débris peuvent ralentir l'actionnement du carter inférieur de protection.
  - **Ouvrez le carter inférieur de protection manuellement uniquement pour des coupes spéciales, telles que les "coupes en plongée" et les "coupes angulaires."** Ouvrez le carter inférieur de protection à l'aide du levier de rétraction et libérez-le dès que la lame de scie est entrée dans le matériau. Pour toutes les autres opérations de sciage, le carter inférieur de protection doit fonctionner automatiquement.
  - **Ne placez jamais la scie sur l'établi ou sur le sol si le carter inférieur de protection ne couvre pas la lame de la scie.** Une lame de scie sans protection et encore en mouvement ramène la scie en arrière, sciant tout sur son passage. Tenez compte du temps nécessaire à la scie pour ralentir.
  - **NE TENEZ JAMAIS la pièce à scier à la main ou sur la jambe.** Il est important que la pièce soit correctement soutenue afin de minimiser les risques de blessures corporelles, lorsque la scie se coince ou en cas de perte de contrôle.
  - **Tenez l'outil électrique uniquement par les surfaces isolées des poignées si l'opération effectuée peut mettre la lame en contact avec des câbles électriques cachés ou son propre cordon électrique.** Le contact avec un câble sous tension met les parties métalliques de l'outil sous tension et l'opérateur risque un choc électrique.
  - **Pour le sciage en longueur, utilisez toujours un guide parallèle ou une règle plate comme guide.** Ceci améliore la précision de la coupe et réduit le danger de voir la lame de scie se coincer.
  - **Utilisez toujours des lames de scie de taille et de forme adaptées à l'alésage de fixation (par ex. en étoile ou en rond).** Les lames de scie inadaptées au matériel de montage de la scie risquent de s'excentrer, occasionnant une perte de contrôle.
  - **N'utilisez jamais de rondelles ou de boulons endommagés voire inadaptés à la lame de scie.** Les rondelles et les boulons de la lame de scie ont été spécialement conçus pour votre scie, pour une performance et une sécurité de fonctionnement optimales.
- Causes de contrecoup et mesures de prévention**
- Le contrecoup est une réaction soudaine d'une lame de scie restée accrochée, coincée ou mal orientée. La scie qui n'est plus sous contrôle sort de la pièce à travailler et est projetée vers l'utilisateur.
  - Si la lame de scie reste accrochée ou coincée dans la fente sciée qui se ferme, elle se bloque, et la force du moteur ramène l'outil rapidement vers l'utilisateur.
  - Si la lame de scie est tordue ou mal orientée dans le tracé de la coupe, les dents du bord arrière de la lame de scie risquent de se coincer dans la surface du bois. De ce fait la lame de scie saute brusquement de la fente et est propulsée en arrière sur l'utilisateur.
  - Le contrecoup est le résultat d'une utilisation inappropriée de la scie voire de procédures ou de conditions d'utilisation incorrectes. Il peut être évité en appliquant les précautions adéquates, décrites ci-dessous.
  - a. **Maintenez fermement la scie avec vos deux mains et positionnez votre corps et vos bras de sorte à pouvoir résister aux contrecoups.** L'utilisateur peut contrôler les forces de contrecoup en respectant les précautions adéquates.
  - b. **Si la lame de scie se coince ou que le sciage est interrompu pour une raison quelconque, lâchez l'interrupteur et maintenez la scie immobile dans la pièce jusqu'à l'arrêt complet de la lame. N'essayez jamais de sortir la scie de la pièce ou de la tirer en arrière tant que la lame de scie n'est pas immobile car un contrecoup reste possible.** Déterminez pourquoi la scie s'est coincée et corrigez le problème.
  - c. **Pour redémarrer une scie coincée dans une pièce, centrez la lame de scie dans la fente et vérifiez que ses dents ne sont pas engagées dans la pièce.** Si la lame de scie est coincée, elle peut sortir de la pièce ou causer un contrecoup lorsque la scie est remise en marche.
  - d. **Soutenez les grands panneaux afin de minimiser le risque de contrecoup causé par une lame de scie coincée.** Les grands panneaux risquent de s'arquer sous leur propre poids. Les panneaux doivent être soutenus des deux côtés par des supports, près de la fente de scie ainsi qu'aux bords des panneaux.
  - e. **N'utilisez pas de lames de scie émoussées ou endommagées.** Les lames de scie dont les dents sont émoussées ou mal orientées produisent une fente trop étroite générant une friction élevée, augmentant le risque de voir la lame se coincer et de provoquer un contrecoup.
  - f. **Les leviers de blocage des réglages de la profondeur et de l'angle de coupe doivent être bien serrés et verrouillés avant de scier.** Si les réglages se modifient pendant le sciage, la lame de scie risque de se coincer et de provoquer un contrecoup.
  - g. **Faires preuve d'une prudence particulière pour effectuer une "coupe en plongée" dans des murs préexistants ou autres parties non apparentes.** La partie saillante de la lame peut couper des objets susceptibles se provoquer un contrecoup.

## Consignes de sécurité/ signification

Il est très important de lire et de bien comprendre les instructions contenues dans ce manuel. Les informations qui sont données concernent votre sécurité avant que les problèmes ne surgissent. Les symboles ci-dessous sont utilisés pour vous aider à reconnaître leur signification.



**Danger!** Indique une situation extrêmement dangereuse qui, si elle n'est pas évitée, aura pour conséquence des blessures corporelles graves ou mortelles.



**Attention!** Indique une situation potentiellement dangereuse qui, si elle n'est pas évitée, aura pour conséquence des blessures corporelles graves ou mortelles.



**Avertissement!** Indique une situation potentiellement dangereuse qui, si elle n'est pas évitée, aura pour conséquence des blessures corporelles légères ou de gravité modérée.



**Avertissement!** (Sans symbole de sécurité) Indique une situation potentiellement dangereuse qui, si elle n'est pas évitée, aura pour conséquence des dommages matériels.

## Consignes de sécurité supplémentaires pour les scies circulaires



**Attention!** La poussière dégagée lors du ponçage, sciage, meulage, perçage et lors d'autres opérations de construction, contient des produits chimiques connus pour causer le cancer, des malformations congénitales ou des lésions de l'appareil reproducteur. Voici certains exemples de ces produits chimiques :

- le plomb contenu dans la peinture à base de plomb,
- la silice cristalline contenue dans les briques, le béton et autres produits de maçonnerie,
- l'arsenic et le chrome contenus dans le bois de construction traité par produits chimiques (CCA).

Le risque présenté par l'exposition à ces produits varie en fonction de la fréquence de ce type de travail. Pour réduire l'exposition à ces produits chimiques:

- Travaillez dans un endroit bien aéré et utilisez des équipements de sécurité approuvés, tels que masques anti-poussière spécialement conçus pour filtrer les particules microscopiques.
- **Évitez tout contact prolongé avec la poussière soulevée par l'outil provenant du ponçage, du**

**sciage, du meulage, du perçage ou de tout autre activité de construction.** Portez des vêtements de protection et nettoyez les parties exposées du corps à l'eau savonneuse. Empêchez la poussière de pénétrer dans votre bouche, dans vos yeux ou de se déposer sur votre peau pour éviter l'absorption de produits chimiques nocifs.



**Attention!** Cet outil peut produire et répandre de la poussière susceptible de causer des dommages sérieux et permanents au système respiratoire. Utilisez toujours un appareil respiratoire anti-poussière approuvé par le NIOSH ou l'OSHA. Dirigez les particules dans le sens opposé du visage et du corps.



**Avertissement!** Portez une protection auditive appropriée pendant l'utilisation de l'outil. Dans certaines conditions et selon la durée d'utilisation, le bruit provoqué par cet outil peut contribuer à une perte auditive.

- **Lorsque le carter inférieur de protection se bloque sur une surface sous le niveau de la pièce découpée,** l'utilisateur peut perdre momentanément le contrôle de l'outil. La scie peut alors se soulever partiellement hors de la coupe ce qui augmente le risque de torsion de la lame. Assurez-vous qu'il y a suffisamment de jeu sous la pièce.
- **Lorsqu'il faut soulever manuellement le carter inférieur de protection, servez-vous du levier de rétraction.**
- **Maintenez les outils de coupe aiguisés et propres.** On minimise les risques de blocage et de contrecoup en se servant de lames aiguisées. L'utilisation d'une lame émoussée ou sale augmente la charge de la scie. L'utilisateur pousse alors davantage sur la scie ce qui favorise la torsion de la lame.



**Avertissement! Risque de lacération. Éloignez les mains de la zone de coupe. Éloignez les mains de la lame de scie.** Ne placez jamais les mains devant ou derrière le trajet de la lame pendant la coupe. Ne placez pas les mains sous la pièce lorsque la lame tourne. Ne tentez pas d'enlever des matériaux coupés lorsque la lame tourne.

- **Soutenez les grands panneaux.** Il faut soutenir les grands panneaux de la façon illustrée (Fig. A) sur le présent guide afin de minimiser les risques de blocage de la lame et de contrecoup. Une pièce qui est seulement soutenue aux extrémités (Fig. B) plie et peut entraîner le blocage de la lame. Lorsque la scie doit reposer contre le panneau pendant la coupe, il faut la placer sur la partie la plus large du panneau alors qu'on en coupe la partie la plus étroite.
- **Utilisez uniquement les lames et les pièces de montage appropriées lorsque vous installez une lame.** N'utilisez pas une lame dont le diamètre d'alésage n'est pas correct. N'utilisez jamais de rondelles ni de boulons défectueux ou inappropriés. Respectez les consignes d'installation de la lame.

- **Réglages.** Avant de couper, assurez-vous que les réglages de la profondeur et de l'angle de coupe sont bien serrés.
- **Bien soutenir et fixer la pièce à travailler.**  
Assurez-vous que le matériau à découper est fixé (Fig. C), bien soutenu et en équilibre sur une surface de travail solide, stable et de niveau. Soutenez la pièce à travailler de sorte que la portion large du patin repose sur la portion du matériau qui ne tombe pas après la coupe. Ne retenez pas la partie coupée du matériau à la main (Fig. D). Une lame coincée entraîne un contrecoup. Tenez la scie avec vos deux mains à tout moment.
- **Demeurez vigilant et gardez le contrôle de la situation.** Placez-vous d'un côté de la scie. Tenez la scie fermement à deux mains pour bien la maîtriser. Ne modifiez pas votre prise ni votre position lorsque la scie fonctionne. Pendant le sciage, prêtez attention aux bouts de matériaux découpés tombants afin d'éviter tout risque de blessures corporelles.



**Danger! Relâchez immédiatement l'interrupteur si la lame se coince ou si la scie se bloque.**

## Description (fig. e)

Cet outil comprend certaines ou toutes les caractéristiques suivantes.

1. Interrupteur marche/arrêt
2. Poignée principale
3. Poignée secondaire
4. Patin
5. Lame de scie
6. Carter de protection de lame
7. Levier de rétractation du carter de protection de lame
8. Clé de serrage pour lame de scie
9. Bouton de réglage de biseau
10. Rondelle extérieure
11. Vis de fixation de lame. Lame de scie. Clé 6 pans (non illustré) Guide parallèle (illustré en Fig. M)

## Montage et réglage



**Attention!** Avant d'effectuer l'une des opérations suivantes, assurez-vous que la scie est débranchée.

### Réglage de la profondeur de coupe (Fig. F et G)

La profondeur de coupe doit être réglée en fonction de l'épaisseur de la pièce.

- Desserrez le levier (12) pour débloquer le patin de la scie.
- Mettre le patin de la scie (4) dans la position voulue. La profondeur de coupe correspondante peut être lue sur l'échelle graduée (13).
- Serrez le levier pour verrouiller le patin de la scie en position.
- Réglez la profondeur de la scie de sorte qu'une seule dent de la lame dépasse de la surface inférieure de la pièce comme illustré en Fig. G.

### Réglage de l'angle de biseau (Fig. H)

La scie peut être réglée pour des angles de biseau entre 0° et 45°

- Desserrez le bouton de blocage (9) pour déverrouiller le patin de la scie.
- Mettez le patin de la scie (4) dans la position voulue. L'angle de biseau correspondant peut être lu sur l'échelle graduée (14).
- Serrez le bouton de blocage pour verrouiller le patin de la scie en position.

### Installation d'une lame (Fig. I et J)

- Pour empêcher l'arbre de tourner, insérez les saillies de la clé de serrage (8) dans l'orifice de la rondelle extérieure (10) comme illustré en Fig. I.
- Desserrez et enlevez la vis de fixation de la lame (11) en tournant la clé à 6 pans (15) dans le sens antihoraire.
- Enlevez la rondelle extérieure.
- Placez la lame de scie (5) sur la rondelle intérieure (16), en vérifiant que la flèche figurant sur la lame est bien pointée dans la même direction que la flèche de l'outil.

- Installez la rondelle extérieure (10) sur l'arbre, avec le bord biseauté pointant dans la direction opposée de la lame de scie.
- Insérez la vis de fixation de la lame (11) dans l'orifice de l'arbre.
- Empêchez l'arbre de tourner en insérant la clé de serrage dans l'orifice de la rondelle extérieure.
- Serrez fermement la vis de fixation de la lame en tenant la clé de serrage et en tournant la clé à 6 pans dans le sens horaire.

## Retrait de la lame

- Pour empêcher l'arbre de tourner, insérez les saillies de la clé de serrage (8) dans l'orifice de la rondelle extérieure (10).
- Desserrez et enlevez la vis de fixation de la lame (11) en tournant la clé à 6 pans (15) dans le sens antihoraire à l'aide de la clé à 6 pans (15).
- Enlevez la rondelle extérieure (10).
- Enlevez la lame de scie (5).



**Attention!** Pour réduire le risque de blessures corporelles, il est important de lire, de bien comprendre et de suivre les consignes de sécurité et les instructions avant d'utiliser cet outil.

## Coupes générales

### Se protéger contre les contrecoups

L'outil débranché, suivez toutes les consignes d'assemblage, de réglage et de configuration. Assurez-vous du bon fonctionnement du carter de protection de lame inférieur. Sélectionnez la lame appropriée au matériau à découper.

- Mesurez et marquez le bois à découper.
- Soutenez et fixez solidement la pièce à travailler (Voir Consignes de sécurité et instructions).
- Utilisez le matériel de protection approprié et requis (Voir Consignes de sécurité).
- Protégez et entretenez la zone de travail (Voir Consignes de sécurité).

- Prise branchée et carter de protection de lame fermé, vérifiez que l'interrupteur marche/arrêt fonctionne.



**Attention!** Il est important que la pièce soit bien soutenue et que vous teniez la scie fermement afin d'en conserver le contrôle et éviter tout risque de blessures corporelles. La Fig. C illustre une technique de prise en main commune.

## Fonctionnement

### Interrupteur

- Pour mettre l'outil en marche, enfoncez la gâchette (1). L'outil continuera de fonctionner tant que la gâchette sera enfoncée.
- Pour éteindre l'outil, relâchez la gâchette (1). Il n'est pas possible de bloquer l'outil en position de marche, et la gâchette ne doit jamais être bloquée par aucun moyen.

### Sciage



**Attention!** Pour réduire le risque de blessures corporelles, tenez toujours l'outil des deux mains.

- Laissez la lame fonctionner librement quelques secondes avant de commencer la coupe.
- Appuyez légèrement sur l'outil pendant que vous sciez.
- Travaillez avec le patin appuyé sur la pièce à travailler.

## Conseils pour une utilisation optimale

- Etant donné qu'il est inévitable que se produisent quelques éclatements du bois le long de la ligne de coupe sur la face supérieure de la pièce sciée, coupez la pièce sur le bord où les petits éclatements peuvent être admis.
- Lorsque les éclatements doivent être réduits au minimum, par exemple si vous sciez du stratifié, fixez un morceau de contreplaqué sur la face supérieure de la pièce.

### Découpe en poche (Fig. K)

**La découpe en poche est utilisée pour découper un trou dans un morceau de matériau sans découper à partir du bord.**

- Mesurez et marquez la pièce.

- Inclinez la scie vers l'avant et reposez l'avant du patin de la scie sur le matériau à couper. Alignez la scie de sorte que la découpe commence à l'arrière du rectangle comme illustré en Fig. K.
- A l'aide du levier de rétractation, relevez le carter de protection de lame en position verticale, avec la lame légèrement au-dessus du matériau, lancez le moteur et abaissez progressivement la scie dans le matériau.



**Attention!** Lorsque la lame commence à couper le matériau, relâchez immédiatement le levier de rétractation.

- N'attachez jamais le carter de protection de lame en position verticale.
- Lorsque le patin de la scie repose à plat sur le matériau découpé, terminez la découpe vers l'avant.
- Laissez la lame s'arrêter complètement avant de lever la scie du matériau.
- Lors de l'amorce de chaque nouvelle découpe, répétez la procédure énoncée ci-dessus.

### Espace de rangement de la clé de serrage (Fig. L)

La clé de serrage (8) peut être rangée sur le patin de la scie comme illustré en Fig. L.

### Installation et retrait du guide parallèle (Fig. M)

Le guide parallèle est utilisé pour scier en ligne droite parallèlement aux bords de la pièce à scier.

#### Installation

- Desserrez le bouton de blocage (17).
- Insérez le guide parallèle (18) dans les orifices (19).
- Faites glisser le guide parallèle dans la position souhaitée.
- Resserrez le bouton de blocage.

#### Retrait

- Desserrez le bouton de blocage.
- Ecartez le guide parallèle de l'outil.

**Remarque:** Si vous n'avez pas de guide parallèle, utilisez une règle plate comme guide, que vous placez le long du patin afin d'améliorer la précision de la coupe, réduisant le risque de coincer la lame et de contrecoup.

### Accessoires

La performance de votre outil dépend des accessoires que vous utilisez. Les accessoires Black & Decker et Piranha sont conçus selon des normes de qualité supérieure pour améliorer les performances de votre outil. En utilisant ces accessoires, vous obtiendrez le meilleur de votre outil.



**Attention!** Il pourrait s'avérer dangereux d'utiliser des accessoires autres que ceux recommandés pour cet outil. Utilisez uniquement des lames de 7-1/4 pouces (184mm) de diamètre avec un alésage de 5/8 pouces.

**Exception:** Les lames abrasives de 7 pouces (175mm) peuvent être utilisées. Lorsque vous coupez du métal, faites attention aux étincelles projetées par la lame.

### Entretien

Votre outil a été conçu pour fonctionner sur une longue période de temps avec un minimum d'entretien. Un fonctionnement continu satisfaisant dépend d'un entretien soigneux et régulier.



**Attention!** Avant d'effectuer toute intervention d'entretien, éteignez et débranchez l'outil.

- Nettoyez régulièrement les fentes de ventilation de l'outil à l'aide d'une brosse souple ou d'un chiffon sec.
- Nettoyez régulièrement le boîtier du moteur avec un chiffon humide. N'utilisez pas de produits abrasifs ou à base de solvants.



**Important!** Pour garantir la **sécurité** et la **fiabilité** des outils, les réparations, l'entretien et le réglage (autres que ceux décrits dans ce manuel) doivent être effectués dans des centres de service agréés ou par des réparateurs qualifiés, en utilisant toujours des pièces de rechange identiques.

### Lubrification

Les outils Black & Decker sont lubrifiés en usine et prêts à l'emploi.

## Données techniques

SPECIFICATIONS	BPSC1607	
Tension	V	220-240 V ~ 50/60 Hz
Puissance	W	1600
Vitesse à vide	/min	5500

## Dépannage

Problème	Cause possible	Solution possible
• L'appareil refuse de démarrer.	• Le câble n'est pas branché.	• Branchez l'outil sur une prise secteur active.
	• Le fusible du circuit est grillé	• Changez le fusible. (Si l'outil fait griller le fusible de manière répétée, arrêtez immédiatement de l'utiliser et faites-le réparer dans un centre de service Black & Decker ou dans un centre de réparation agréé).
	• Le disjoncteur est déclenché.	• Réenclenchez le disjoncteur. (Si l'outil fait sauter le fusible de manière répétée, arrêtez immédiatement de l'utiliser et faites-le réparer dans un centre de service Black & Decker ou dans un centre de réparation agréé).
• Le câble ou l'interrupteur est endommagé		• Faites remplacer le câble ou l'interrupteur dans un centre de service Black & Decker ou dans un centre de réparation agréé.

## Protection de l'environnement



Recyclage. Cet appareil ne doit pas être jeté avec les déchets ménagers.

Si votre appareil Black & Decker doit être remplacé ou si vous n'en avez plus l'usage, ne le jetez pas avec les ordures ménagères. Songez à la protection de l'environnement et recyclez-les.



La collecte séparée des produits et des emballages usagés permet de recycler et de réutiliser des matériaux. La réutilisation de matériaux recyclés évite la pollution de l'environnement et réduit la demande de matières premières.

Des réglementations locales peuvent stipuler la collecte séparée des produits électriques et des produits ménagers, dans des déchetteries municipales ou par le revendeur lorsque vous achetez un nouveau produit.

Black & Decker offre une solution permettant de recycler les produits Black & Decker lorsqu'ils ont atteint la fin de leur cycle de vie. Pour pouvoir profiter de ce service, veuillez retourner votre produit à un réparateur agréé qui se chargera de le collecter pour nous.

Pour connaître l'adresse du réparateur agréé le plus proche de chez vous, contactez le bureau Black & Decker à l'adresse indiquée dans ce manuel. Vous pourrez aussi trouver une liste de réparateurs agréés de Black & Decker et de plus amples détails sur notre service après-vente sur le site Internet à l'adresse suivante : [www.2helpU.com](http://www.2helpU.com).

## Informations sur le service après-vente

Black & Decker offre un large réseau de centres de service Black & Decker ou agréés partout en Asie. Tous les centres de services Black & Decker sont dotés d'un personnel qualifié afin de garantir aux clients une qualité et une fiabilité de service dans la réparation de leurs outils. Que vous ayez besoin de conseils techniques, de réparation ou de pièces de rechange d'origine, il suffit de contacter le centre Black & Decker le plus proche.

## Garantie

Black & Decker vous assure la qualité de ses produits et vous offre une garantie très étendue.

Ce certificat de garantie est un document supplémentaire et ne peut en aucun cas se substituer à vos droits légaux.

La garantie est valable sur tout le territoire des États Membres de l'Union Européenne et de la Zone de Libre Échange Européenne.

Si un produit Black & Decker s'avère défectueux en raison de matériaux en mauvais état, d'une erreur humaine, ou d'un manque de conformité dans les 12 mois suivant la date d'achat, Black & Decker garantit le remplacement des pièces défectueuses, la réparation des produits usés ou cassés ou remplace ces produits à la convenance du client, sauf dans les circonstances suivantes :

- Le produit a été utilisé dans un but commercial, professionnel, ou a été loué.
- Le produit a été mal utilisé ou avec négligence.
- Le produit a subi des dommages à cause de corps étrangers, de substances ou d'accidents.
- Des réparations ont été tentées par des techniciens ne faisant pas partie du service technique de Black & Decker.

Pour avoir recours à la garantie, il est nécessaire de fournir une preuve d'achat au vendeur ou à un réparateur agréé.

Pour connaître l'adresse du réparateur agréé le plus proche de chez vous, contactez le bureau Black & Decker à l'adresse indiquée dans ce manuel. Vous pourrez aussi trouver une liste de réparateurs agréés de Black & Decker et de plus amples détails sur notre service après-vente sur le site Internet à l'adresse suivante : [www.2helpU.com](http://www.2helpU.com)

Visitez notre site Web [www.blackanddecker.eu](http://www.blackanddecker.eu) pour enregistrer votre nouveau produit Black & Decker et être informé des nouveaux produits et des offres spéciales. Pour plus d'informations concernant la marque Black & Decker et notre gamme de produits, consultez notre site [www.blackanddecker.eu](http://www.blackanddecker.eu).

## الضمان

تتفق بلاك أند ديكر بجودة منتجاتها وتقدم ضماناً مميزاً. ويكون بيان الضمان هذا بالإضافة ولا يدخل بأي حال من الأحوال بالحقوق القانونية. ويسري هذا الضمان داخل إقليم الدول الأعضاء في الإتحاد الأوروبي ومنطقة التجارة الحرة الأوروبية.

إذا أصبح منتج بلاك أند ديكر معيباً بسبب عيوب المواد والصناعة وعدم المطابقة، تضمن بلاك أند ديكر في غضون 12 شهراً من تاريخ الشراء استبدال الأجزاء المعيبة وإصلاح المنتجات مع مراعاة البلي بالاستخدام العادي أو استبدال هذه المنتجات للتأكد من رضا العملاء ما لم:

← تم استخدام المنتج لأغراض تجارية أو مهنية أو للتأجير.

← إهمال أو إساءة استخدام المنتج.

← تعرض المنتج لتلف بسبب مواد أو أغراض غريبة أو الحوادث.

← محاولة إجراء عمليات الإصلاح من قبل الأشخاص الآخرين بخلاف وكلاء الإصلاح المصرح بهم أو فريق الخدمة التابع لبلاك أند ديكر.

للمطالبة بالضمان، يجب تقديم إثبات الشراء للبائع أو وكيل البيع المعتمد. ويمكنك معرفة مكان أقرب وكيل إصلاح معتمد بمراجعة مكتب بلاك أند ديكر المحلي في العنوان المشار إليه في الدليل. كما تتوفر قائمة بوكلاء الإصلاح المعتمدين لدى بلاك أند ديكر وبيانات خدمات ما بعد البيع والاتصال على الموقع الإلكتروني:

[www.2helpU.com](http://www.2helpU.com)

يرجى مراجعة موقعنا الإلكتروني

[www.blackanddecker.co.uk](http://www.blackanddecker.co.uk) لتسجيل منتجك الجديد من بلاك

أند ديكر وللمعرفة أحدث المنتجات والعروض الخاصة وللحصول على

المزيد من المعلومات حول علامة بلاك أند ديكر ومنتجاتنا، يرجى

زيارة [www.blackanddecker.co.uk](http://www.blackanddecker.co.uk)



## حماية البيئة



تجميع منفصل. يجب عدم إلقاء هذا المنتج مع المخلفات المنزلية.

إذا تبين لك في أحد الأيام بأنه يجب تبديل جهاز بلاك أند ديكر الخاص بك أو لم تعد بحاجة لاستخدامه. لا تتخلص منه مع المخلفات المنزلية. وقم بتوفير هذا المنتج للتجميع المنفصل.



يمكن التجميع المنفصل للمنتجات والعبوات المستخدمة من إعادة تدوير المواد واستخدامها مرة أخرى، إذ يساعد إعادة استخدام المواد المعاد تدويرها على منع التلوث البيئي وخفض الطلب على المواد الخام

قد تنص التشريعات المحلية على تجميع منفصل للمنتجات الكهربائية عن المخلفات المنزلية في مواقع مخلفات البلدية أو تاجر التجزئة عند شراء منتج جديد.

توفر بلاك أند ديكر منشأة لتجميع وإعادة تدوير منتجات بلاك أند ديكر عند وصول تلك المنتجات لنهاية عمرها النافع. وللاستفادة من هذه الخدمة، يرجى إعادة المنتج إلى أي وكيل إصلاح معتمد الذي سيقوم بتجميع المنتجات نيابة عنا.

يمكنك معرفة مكان أقرب وكيل إصلاح معتمد بمراجعة مكتب بلاك أند ديكر المحلي في العنوان المشار إليه في الدليل. كما تتوفر قائمة بوكلاء الإصلاح المعتمدين لدى بلاك أند ديكر وبيانات خدمات ما بعد البيع والاتصال على الموقع الإلكتروني: [www.2helpU.com](http://www.2helpU.com).

## معلومات الخدمة

توفر بلاك أند ديكر شبكة كاملة من مراكز الخدمة المعتمدة والمملوكة للشركة في جميع أرجاء آسيا. ويعمل في جميع مراكز الخدمة التابعة لبلاك أند ديكر أفراد مؤهلون على تقديم خدمة فعالة وجديرة بالثقة لجميع الأجهزة بما يحقق رضا العملاء. فإذا كنت ترغب في الحصول على مشورة فنية أو إصلاح الأجهزة أو الحصول على قطع غيار أصلية، ما عليك سوى الاتصال بأقرب مركز خدمة لبلاك أند ديكر.

## البيانات الفنية

المواصفات		BPSC1607
الجهد الكهربائي	فولت	٢٢٠-٢٤٠ ~ ٥٠/٦٠ هرتز
القدرة	واط	١٦٠٠
السرعة بدون حمل	دورة في الدقيقة	٥٥٠٠

## استكشاف المشاكل وإصلاحها

المشكلة	السبب المحتمل	الحل المحتمل
• جهاز لا يعمل.	• الكابل غير موصل بالمقيس.	• قم بتوصيل الجهاز في منفذ التوصيل.
	• صمامة كهربائية محترقة	• استبدل الصمامة الكهربائية. (إذا كان المنتج يتسبب في حرق الصمامة الكهربائية بشكل متكرر، فأوقف استخدامه على الفور وأرسله للصيانة في أحد مراكز خدمة بلاك أند ديكور أو وكيل صيانة معتمد).
	• قاطع الدارة الكهربائية.	• أعد ضبط قاطع الدارة الكهربائية. (إذا كان المنتج يتسبب في عدم تفعيل قاطع الدائرة، أوقف استخدامه على الفور وأرسله للصيانة في أحد مراكز خدمة بلاك أند ديكور أو وكيل صيانة معتمد).
	• تلف الكابل أو مفتاح التشغيل.	• استبدل الكابل أو المفتاح من أحد مراكز خدمة بلاك أند ديكور أو وكيل صيانة معتمد.

القاعدة لتحسين دقة القطع ومنع إعاقة الحركة والارتداد المحتمل.

### الملحقات

يعتمد أداء جهازك على الملحقات المستخدمة. لقد تم تصميم ملحقات بلاك أند ديكر وبيراننا بجودة عالية بغرض تحسين أداء جهازك. وباستخدام تلك الملحقات، ستمتكن من الحصول على الأداء الأمثل للجهاز.

تحذير! قد ينطوي استخدام أي ملحق لا يوصى باستخدامه على مخاطر. استخدم فقط شفرات ١/٤ - ٧ بوصة (١٨٤ ملم) بمحور قطر ٨/٥ بوصة.



استثناء: يمكن استخدام شفرات الكشط ٧ بوصة (١٧٥ ملم). عند قطع المعادن، انتبه للشرر الساخن المتطاير من الشفرة.

### الصيانة

تم تصميم الجهاز للعمل لفترة طويلة من الوقت دون إجراء الكثير من الصيانة عليه. ويعتمد التشغيل المرضي المستمر على العناية المناسبة بالجهاز والتنظيف الدوري.

تحذير! قبل إجراء أي صيانة، قم بإيقاف تشغيل وفصل الجهاز.



• قم بتنظيف فتحات التهوية باستمرار في الجهاز باستخدام فرشاة ناعمة أو قطعة قماش جافة.

• قم بتنظيف تبييتة المحرك باستمرار باستخدام قطعة قماش رطبة. ولا تستخدم أي مادة كاشطة أو منظف مصنوع من مادة مذيبة.

هام: لضمان سلامة وموثوقية المنتج، يجب أن تتم أي إصلاحات أو صيانة أو تعديل (غير الواردة في هذا الدليل) بواسطة مراكز خدمة معتمدة أو غير ذلك من الشركات المؤهلة. احرص دائماً على استخدام قطع الغيار المطابقة.



### التشحيم

يتم تشحيم أجهزة بلاك أند ديكر بعناية في المصنع وهي جاهزة للاستخدام.

• قم بإمالة المنشار إلى الأمام وإرساء مقدمة القاعدة على المادة المطلوب قطعها. قم بالمحاذاة بحيث يبدأ القطع من الجزء الخلفي للمستطيل المرسوم على النحو الموضح في الشكل ك.

• باستخدام مقبض السحب، اسحب واقي الشفرة إلى أعلى، وبعد تسوية الشفرة للمادة تماماً، شغل المحرك وقم بخفض المنشار تدريجياً داخل المادة.

تحذير! حينما تبدأ الشفرة في قطع المادة، حرر مقبض السحب في الحال.



• لا تربط واقي الشفرة في موضع بارز.

• حينما تستقر القاعدة على المادة المطلوب قطعها، استكمل القطع في الاتجاه الأمامي.

• دع الشفرة تتوقف تماماً قبل رفع المنشار عن المادة.

• في بداية كل مرة قطع جديدة، كرر الخطوات السابقة.

تخزين مفتاح الربط (الشكل ل)

يمكن تخزين مفتاح الربط (٨) في قاعدة المنشار على النحو المبين في الشكل ل.

تركيب وإزالة المسطرة المتوازية (الشكل م)

تستخدم المسطرة المتوازية لتنفيذ عمليات القطع على خط مستقيم بالتوازي مع حافة قطعة العمل.

### التركيب

• حرر مقبض التثبيت (١٧).

• أدخل المسطرة المتوازية (١٨) من خلال الفتحات (١٩).

• أدخل المسطرة المتوازية في الوضع المطلوب.

• أحكم تثبيت مقبض التثبيت.

### الإزالة

• حرر مقبض التثبيت.

• اسحب المسطرة المتوازية من الجهاز.

ملاحظة: إذا لم يكن لديك مسطرة مناسبة، استخدم دليل حافة مستقيم متصل بحافة

- مع المكونات المدرجة وأغلق الحرس، وجعل شهدت يتحول التبديل متأكد وخارجها.
- قم بتركيب الحلقة الخارجية (١٠)، مع توجيه الحافة المائلة بعيدا عن الشفرة.
- أدخل برغي تثبيت الشفرة (١١) في فتحة عمود الدوران.
- ارفع دوران عمود الدوران من خلال تعشيق مفتاح الربط في فتحات الحلقة الخارجية.



تحذيرا! فمن المهم لدعم عمل بشكل صحيح وعقد شهد بحزم لمنع فقدان السيطرة التي يمكن أن تسبب الإصابة الشخصية. التين. C يوضح الموقف من جهة الموصى بها.

## التشغيل

### مفتاح التشغيل

- اربط برغي تثبيت الشفرة بإحكام من خلال الإمساك بمفتاح الربط ولف مفتاح الربط السداسي في اتجاه عقارب الساعة لربط برغي تثبيت الشفرة.
- فك الشفرة
- لمنع دوران عمود الدوران، قم بتعشيق النتوءات البارزة من مفتاح الربط (٨) في فتحات الحلقة الخارجية (١٠).
- قم بفك برغي تثبيت الشفرة (١١) وإزالته من خلال لفة بمفتاح الربط السداسي (١٥) بعكس اتجاه عقارب الساعة.

### النشر



تحذيرا! لتقليل خطر الإصابة الشخصية، امسك الجهاز بكلتي يديك دائما.

- اترك الشفرة تعمل بحرية لبضع ثوان قبل البدء في تنفيذ عمليات القطع.
- اضغط برفق على الجهاز أثناء تنفيذ عمليات القطع.
- تأكد من أن القاعدة تضغط على قطعة العمل أثناء القطع.
- قم بإزالة الحلقة الخارجية.
- تحذيرا! لتقليل مخاطر الإصابة الشخصية، اقرأ وافهم واتبع كافة تحذيرات وتعليمات السلامة المهمة قبل استخدام الجهاز.



## أعمال القطع العادية.

### الوقاي ضد الارتداد

- اتبع كافة التعليمات المرتبطة بالتجميع والضبط والإعداد، مع فصل الجهاز من المقبس. تحقق من عمل الوقاي السفلي، واختر الشفرة المناسبة للمادة المطلوب قطعها.
- قم بقياس وتحديد منطقة القطع.
- قم بتثبيت قطعة العمل بشكل مناسب (راجع قواعد وتعليمات السلامة).
- استخدم معدات السلامة المطلوبة والمناسبة (راجع قواعد السلامة).
- تحقق من عمل مفتاح تشغيل/إيقاف المنشار، مع إدخال المقبس وإغلاق الوقاي.

## نصائح للاستخدام الأمثل

- عندما لا يمكن تجنب التشظية على امتداد خط القطع على الجانب العلوي لقطعة العمل، قم بتنفيذ عمليات القطع على الجانب الذي يمكن قبول التشظية عليه.
- عندما يجب تقليل التشظية، أي عند تنفيذ عمليات القطع على شرائح، ثبت قطعة من الخشب الرقائقي أعلى قطعة العمل.
- القطع الداخل (الشكل ك)

يتم استخدام آلية القطع الداخل لقطع ثقب في قطعة من مادة دون القطع من الجانب.

قم بقياس وتحديد منطقة القطع.

١١. مفتاح ربط سداسي لربط برغي تثبيت شفرة المنشار (غير موضع)، المسطرة المتوازية (انظر الشكل م)

### إعداد الضبط/التجميع

تحذير! قم بفصل المنشار دوماً من موصل الطاقة قبل تنفيذ أي من العمليات التالية.



ضبط عمق القطع (الشكل و، ز)

يجب ضبط عمق القطع وفقاً لسماكة قطع العمل

- حرر المقبض (١٢) لفتح قاعدة المنشار.
- حرك قاعدة المنشار (٤) وصولاً إلى الوضع المطلوب. مع العلم بأنه يمكن معرفة العمق المطابق من الميزان (١٣).
- أحكم تثبيت المقبض لتثبيت قاعدة المنشار في موضعها.
- اضبط العمق للمنشار بحيث تبرز سنّ واحدة من الشفرة أسفل قطعة العمل على النحو المبين في الشكل ز.

ضبط زاوية الميل (الشكل ح)

يمكن ضبط هذا الجهاز بزوايا ميل بين صفر و ٤٥ درجة.

- حرر مقبض التثبيت (٩) لفتح قاعدة المنشار.
- حرك قاعدة المنشار (٤) وصولاً إلى الوضع المطلوب. مع العلم بأنه يمكن معرفة زاوية الميل المطابقة من الميزان (١٤).

- أحكم تثبيت المقبض لتثبيت قاعدة المنشار في موضعها.

ربط الشفرة (الشكل ط، ي)

- لمنع دوران عمود الدوران، قم بتعشيق النتوءات البارزة من مفتاح الربط (٨) في فتحات الحلقة الخارجية (١٠) على النحو الموضح في الشكل ط.
- قم بفك برغي تثبيت الشفرة (١١) وإزالته من خلال لفة بمفتاح الربط السداسي (١٥) بعكس اتجاه عقارب الساعة.
- قم بإزالة الحلقة الخارجية.
- ضع شفرة المنشار (٥) على الشفة الداخلية (١٦)، مع التحقق من أن السهم الموجود على الشفرة يشير إلى نفس اتجاه السهم الموجود على الجهاز.

• استخدم الشفرات ومكونات تجميع الشفرات السليمة فقط أثناء تثبيت الشفرات. لا تستخدم شفرات بفتحات ذات حجم غير مناسب. لا تستخدم حلقات أو مسامير تالفة أو معيبة للشفرة. اتبع إجراءات تجميع الشفرات.

• المعايير. قبل القطع، تحقق من دقة معايير العمق والشفط.

• قم بتثبيت قطعة العمل بشكل مناسب. تحقق من تثبيت المادة المطلوب قطعها (الشكل ج) وأنها مثبتة ومتوازنة تماماً على سطح عمل مستقر ومستو. قم بتثبيت قطعة العمل بحيث يكون الجزء الأكبر من قاعدة المنشار على ذلك الجزء من المادة الذي لا يسقط بعد تنفيذ القطع. لا تمسك الجزء المقطوع باليد (الشكل د). قد يحدث ارتداد من قرص الشفرة.

• انتبه دائماً وتحكم في الجهاز. واجعل موضع جسدك على أحد جانبي الشفرة. تحكم في المنشار وأحكم قبضتك دوماً عليه. لا تغير قبضة اليد أو موضع الجسم أثناء تشغيل المنشار. توخ الحذر لتجنب الإصابة من الأجزاء المقطوعة والمواد الأخرى التي تسقط أثناء التشغيل.

خطر! حرّر المفتاح مباشرة في حالة إعاقة الشفرة أو توقف المنشار.



### الخصائص

يتضمن هذا الجهاز بعض أو جميع الخصائص التالية:

١. مفتاح التشغيل
٢. المقبض الرئيس
٣. المقبض الثانوي
٤. قاعدة المنشار
٥. شفرة المنشار
٦. واقي شفرة المنشار
٧. مقبض سحب واقي الشفرة
٨. مفتاح ربط شفرة المنشار
٩. عقدة ضبط زاوية الميل
١٠. حلقة خارجية

## إرشادات السلامة / التعريفات

يتعين عليك قراءة هذا الدليل وفهمه جيداً. ترتبط المعلومات الواردة في هذا الدليل بحمايتك وبسلامتك الشخصية ومنع وقوع المشاكل. يتم استخدام الرموز الواردة فيما يلي لمساعدتك في التعرف على هذه المعلومات.



خطراً! يشير إلى موقف ينطوي على خطر وشيك قد يؤدي، في حالة عدم تجنبه، إلى الموت أو إصابة خطيرة.



تحذير! يشير إلى موقف ينطوي على خطر محتمل قد يؤدي، في حالة عدم تجنبه، إلى الموت أو إصابة خطيرة.



تنبيه! تشير إلى موقف ينطوي على خطر محتمل قد يؤدي، في حالة عدم تجنبه، إلى إصابة بسيطة أو عادية.



تنبيه! المستخدمة دون رمز إنذار سلامة تشير إلى موقف ينطوي على خطر محتمل قد يؤدي، في حالة عدم تجنبه، إلى ضرر بالممتلكات.

## قواعد سلامة إضافية فيما يتعلق بالمنشآت الدائرية



تحذير: تحتوي بعض الأتربة الناتجة عن السفرة الرملية أو النشر أو التجليخ أو الحفر أو الأعمال الإنشائية الأخرى على مواد كيميائية معروفة بأنها تسبب السرطان أو تشوه الأجنة أو الأضرار التناسلية الأخرى. وفيما يلي بعض الأمثلة على هذه المواد الكيميائية.

- الرصاص الناتج من الطلاء المصنوع من الرصاص،
- السيليكا البلورية الناتجة عن القرميد والأسمنت ومواد البناء الأخرى
- الزنبرنج والكروم الناتج من الخشب المنشور المعالج كيميائياً. (زنيخات النحاس الكرومية)

يتنوع الخطر الناتج عن التعرض لهذه المواد، وذلك على أساس عدد مرات قيامك بهذا العمل. لتقليل تعرضك لهذه المواد الكيميائية:

- اعمل في منطقة جيدة التهوية واستخدم معدات السلامة المعتمدة، مثل أقنعة الوقاية من الغبار المصممة بشكل خاص لفلترتة الجزيئات المجهرية.
- تجنب التعرض لفترة طويلة للأتربة الناتجة عن السفرة

الرملية أو النشر أو التجليخ أو الحفر أو الأعمال الإنشائية الأخرى. ارتد ملابس واقية واغسل المناطق المكشوفة بالماء والصابون. وقد يؤدي السماح بدخول الغبار إلى الفم أو العينين أو تركه على الجلد إلى تعزيز امتصاص المواد الكيميائية الضارة.



تحذير! قد يؤدي استخدام هذا الجهاز إلى إنشَاء و/أو انتشار الغبار، الذي قد يتسبب في وقوع مشاكل خطيرة ودائمة للتنفس أو أية إصابات

أخرى. احرص دوماً على استخدام واقي التنفس المعتمد من إدارة الصحة والسلامة المهنية/المعهد القومي للصحة والسلامة المهنية الملائم للتعرض للغبار، حيث تبتعد الجزيئات المباشرة عن الوجه والجسد.



تنبيه! ارتد واقي الأذنين أثناء استخدام الجهاز. ففي ظل بعض الظروف وطول فترة الاستخدام، قد تؤدي الضوضاء الصادرة من هذا المنتج إلى فقدان السمع.

- تعليق اللوح السفلي على سطح أسفل المادة المطلوب قطعها يمكن أن يضعف من سيطرة المشغل في أي لحظة. ويمكن أن يخرج المنشار جزئياً عن مسار القطع مما يزيد من فرصة التواء الشفرة. احرص على وجود فراغ كافٍ أسفل قطعة العمل.

استخدم مقبض السحب إذا كان يجب رفع الواقي السفلي يدوياً.

حافظ على نظافة وحدة الشفرات، فالشفرات الحادة تعمل على تقليل الارتداد والتوقف المفاجئ. قد يؤدي استخدام الشفرات غير الحادة إلى زيادة حمل المنشار مما يدفع المشغل إلى الضغط بقوة على المنشار فيتسبب في التواءه.



تحذير! حافظ على إبعاد يديك عن مناطق القطع. حافظ على إبعاد يديك عن الشفرات. لا تضع يديك أمام أو خلف مسار الشفرة أثناء القطع. لا تدخل إلى المكان أسفل منطقة العمل أثناء دوران الشفرة. لا تحاول إزالة المادة المقطوعة أثناء حركة الشفرة.

- تثبيث الألواح الكبيرة. يجب تثبيث الألواح كبيرة على النحو الموضح (الشكل أ) في هذا الدليل لتقليل مخاطر قرص الشفرة وارتداد المنشار. سوف تؤدي المادة المثبتة من الأطراف (الشكل ب) فقط إلى قرص الشفرات. وحينما تتطلب عملية القطع وضع المنشار على قطعة العمل، يتم وضع المنشار على الجزء الأكبر ويتم قطع الجزء الأصغر.

- تحقق من عمل وحالة نابض الواقي السفلي، فإذا لم يكن الواقي والنابض يعملان بالشكل المناسب، يجب إصلاحهما قبل الاستخدام، إن قد يعمل الواقي السفلي ببطء نظراً لوجود أجزاء تالفة أو رواسب صمغية أو تراكم النشارة.
  - لا ينبغي سحب الواقي السفلي للخلف يدوياً إلا لإجراء عمليات قطع خاصة مثل "عمليات القطع الداخلية" و "عمليات القطع المركبة". ارفع الواقي السفلي باستخدام مقبض السحب للخلف وبمجرد دخول الشفرة المادية، يجب تحرير الواقي السفلي، وبالنسبة لجميع عمليات النشر الأخرى، يجب أن يعمل الواقي السفلي أوتوماتيكياً.
  - تأكد دائماً من أن الواقي السفلي يغطي الشفرة قبل وضع الشفرة على المقعد أو الأرض، إذ أن الشفرة المنحدرة وغير المحمية قد تتسبب في تحريك المنشار في عكس اتجاه القطع وتقوم بنشر كل ما يعترض طريقها، وانتظر دائماً حتى وقت توقف الشفرة بعد تحرير المفتاح.
  - لا تحاول أن تمسك قطعة العمل التي يتم قطعها بيديك أو رجلك، إذ يجب تثبيت قطعة العمل بالشكل المناسب لتقليل مخاطر الإصابة أو إعاقة حركة الشفرة أو فقدان السيطرة على المنشار.
  - امسك الجهاز بواسطة مقبض ذي أسطح معزولة، فعندما تقوم بتنفيذ عملية ما، قد تلامس وحدة القطع شبكية الأسلاك المخفية أو سلك الجهاز نفسه، قد تؤدي ملامسة سلك "يسري فيه التيار" إلى سريان التيار في الأجزاء المعدنية المكشوفة من الجهاز ومن ثم قد يتسبب ذلك في تعرض المشغل لصدمة كهربائية.
  - عند الشق، استخدم دائماً المسطرة المتوازية أو دليل حافة مستقيم لتحسين دقة القطع ومنع إعاقة حركة الشفرة.
  - استخدم دائماً الشفرات ذات الشكل والمقاس الصحيحين (الماسية في مقابل الدائرية) لفتحات المحور. وسوف تعمل الشفرات التي لا تتوافق مع معدات التركيب الخاصة بالمنشار بشكل غير متراكم، مما يتسبب في فقدان السيطرة.
  - لا تستخدم حلقات أو مسامير تالفة أو معيبة للشفرة، إذ تم تصميم الحلقات والمسامير خصيصاً لمنشارك لتحقيق أفضل أداء وسلامة تشغيل.
- ### أسباب الارتداد وحماية المشغل من الارتداد
- الارتداد هو رد فعل مفاجئ لضغط شفرة المنشار أو إعاقة حركتها أو انحراف مسارها مما يؤدي إلى فقدان السيطرة عليه واندفاعه خارج قطعة العمل في اتجاه المشغل؛
- في حالة الضغط على الشفرة أو إعاقة حركتها في شق القطع، ستتوقف الشفرة وستدفع ردة فعل المحرك الوحدة بشكل سريع للخلف في اتجاه المشغل؛
- إذا تعرضت الشفرة للالتواء أو الانحراف في شق القطع، يمكن أن تنغرس الأسنان الموجودة في الطرف الخلفي للشفرة في السطح العلوي للخشب مما قد يتسبب في خروجها من شق القطع وتوجهها نحو المشغل.
- ويحدث الارتداد نتيجة إساءة استخدام المنشار و/أو تطبيق إجراءات أو ظروف التشغيل غير المناسبة ويمكن منعه باتخاذ الاحتياطات المناسبة المبينة أدناه.
- أ** اقبض على المنشار بقوة باستخدام اليدين بحيث يمكنك وضع ذراعيك وجسمك من مقاومة قوة الارتداد، ولكن يمكن للمشغل السيطرة على قوة الارتداد إذا تم اتخاذ الإجراءات المناسبة.
- ب** عند إعاقة حركة الشفرة أو توقفها في شق القطع لأي سبب من الأسباب، حرر مفتاح الزناد وامسك المنشار بدون حركة في المادة حتى توقف الشفرة تماماً. ولا تحاول إزالة المنشار من قطعة العمل أو جذب المنشار للخلف أثناء حركة الشفرة أو وقوع الارتداد. تحقق واتخذ الإجراءات التصحيحية للقضاء على سبب إعاقة حركة الشفرة.
- ج** عند إعادة تشغيل المنشار في قطعة العمل، قم بتوسيط شفرة المنشار في شق القطع وتحقق من عدم تعشيق أسنان المنشار في المادة، فإذا كانت حركة شفرة المنشار معاقة، فإنها قد ترتد من قطعة العمل عند إعادة تشغيل المنشار.
- د** قم بتثبيت الألواح الكبيرة لخفض مخاطر قرص الشفرات وارتدادها، إذ تميل اللوحات الكبيرة للانحناء بفعل الثقل، ويجب وضع ألواح التثبيت تحت اللوحة على كلا الجانبين بالقرب من خط القطع وبالقرب من حافة اللوح.
- هـ** لا تستخدم شفرات تالفة أو غير حادة لما قد تسببه من إحداث شق قطع ضيق مما يزيد من مخاطر الاحتكاك وإعاقة حركة الشفرة وارتداد المنشار.
- و** يجب إحكام تثبيت ذراعي قفل ضبط زاوية الميل وعمق الشفرة قبل تنفيذ عمليات القطع، إذ قد ينجم عن تغيير ضبط الشفرة أثناء القطع إعاقة حركة الشفرة وارتداد المنشار.
- ز** توخّ مزيداً من الحيطة والحذر أثناء تنفيذ عمليات النشر في الجدران القائمة أو المناطق الساترة الأخرى إذ قد تقطع الشفرة الناتئة أجسام مستورة مما قد يتسبب في ارتداد المنشار.

## ٦ السلامة الكهربائية

هذا الجهاز مزودج العزل، لذا ليست هناك حاجة إلى سلك أرضي. ولكن يجب عليك دوماً التحقق من مطابقة الجهد الكهربائي للأسلاك الرئيسية مع الجهد الكهربائي الموجود على لوحة التصنيف.



تحذير! في حالة تلف كابل الطاقة، يجب استبداله بواسطة الشركة المصنعة أو مركز خدمة معتمد من بلاك أند ديكر أو شخص مؤهل للقيام بذلك لتجنب الضرر أو الإصابة. وفي حالة استبدال كابل الطاقة بواسطة شخص مؤهل، ولكنه غير معتمد من بلاك أند ديكر، فسوف يبطل الضمان.

## ٧ العلامات على الأداة

قد تتضمن العلامات الموجودة على الأداة الرموز التالية:

عزل مزدوج من الفئة ٢		هرتز Hz.....	اقرأ دليل التعليمات	
طرف أرضي		واط	استخدم واقي العين	
رمز تنبيه الأمان		دقيقة تيار متردد	استخدام واقي الأذن	
عدد الدورات أو الترددات في الدقيقة	.../min..	تيار مستمر	V فولط	
			A مبير	
			N <sub>0</sub> السرعة بدون حمل	

## قواعد السلامة الخاصة

- ابعد يدك عن منطقة القطع والشفرة. وامسك المقبض الإضافي أو تبييتة المحرك بيدك الثانية. إذا كنت تمسك المنشار بكلتا يديك، فلن تصل الشفرة إليهما.
- اجعل موضع جسدك على أي من جانبي شفرة المنشار. ولكن ليس بمحاذاة شفرة المنشار. قد ينسب الارتداد في قفز المنشار إلى الخلف. (راجع "الأسباب الارتداد وحماية المشغل من الارتداد.")
- لا تدخل إلى المكان أسفل منطقة العمل، فقد لا يساعد الواقي في حمايتك من الشفرة أسفل منطقة العمل.
- تحقق من إغلاق الواقي السفلي بشكل مناسب قبل كل استخدام. ولا تبدأ بتشغيل المنشار إذا لم يكن الواقي السفلي حر الحركة وينغلق على الفور. لا تثبت أو تربط الواقي السفلي في الموضع المفتوح. إذا سقط المنشار دون قصد، فقد يتعرض الواقي السفلي للانثناء. ارفع الواقي السفلي باستخدام مقبض سحب وتحقق من تحركه بحرية في كافة الزوايا وأي عمق للقطع وأنه لا يتلامس مع الشفرة أو أي جزء آخر.

• تجنب أوضاع الجسد غير الطبيعية. قف بأمان وحافظ على توازنك في جميع الأوقات مما يمكنك من السيطرة على الجهاز بشكل أفضل في المواقف غير المتوقعة.

و ارتد ثياباً مناسبة، ولا ترتد الثياب الفضفاضة أو الحلي. حافظ على إبعاد الشعر والثياب الفضفاضة والقفازات عن الأجزاء المتحركة، إذ أنها قد تتشابك بالأجزاء المتحركة.

ز إذا تم تجهيز الجهاز بملحقات لشطف وتجميع الغبار، تأكد من أنها متصلة بالجهاز وأنه يتم استخدامها بالشكل السليم، إذ أن استخدام هذه الملحقات قد يخفف من المخاطر الناتجة عن الغبار.

## ٤ استخدام الجهاز الكهربائي والعناية به

أ لا تفرط في تحميل الجهاز. استخدم لتنفيذ أشغالك الجهاز المخصص لتنفيذ العمل بشكل أفضل وأكثر أماناً وفقاً لمعدل الأداء المحدد للاستخدام.

ب لا تستخدم الجهاز الكهربائي إذا كان مفتاح تشغيله تالفاً، إذ يمثل الجهاز الكهربائي الذي لا يمكن التحكم به بواسطة مفتاح التشغيل خطورة كبيرة ويجب تصليحه.

ج اسحب القابض من المقبس و/أو انزع البطارية قبل ضبط الجهاز أو استبدال الملحقات أو تخزين الأجهزة الكهربائية. وتمنع احتياطات السلامة الوقائية المذكورة من تشغيل العدة الكهربائية بشكل غير مقصود.

د احتفظ بالأجهزة الكهربائية غير المستخدمة بعيداً عن متناول الأطفال. ولا تسمح بتشغيلها من قبل الأشخاص الذين لا يجيدون استخدامها أو الذين لم يطلعوا على تلك التعليمات، إذ أن الأجهزة الكهربائية قد تشكل خطورة كبيرة إذا تم تشغيلها من قبل أشخاص غير مدربين عليها.

• حافظ على صيانة الأجهزة الكهربائية وافحصها للتأكد من أن الأجزاء الدوارة تعمل بشكل جيد وأنه لا يتم عقلة حركتها وللتعرف على وجود أية كسور فيها أو أي حالة أخرى قد تؤثر على تشغيل الأجهزة. فإذا تبين تلفها، يجب إصلاحها قبل الاستخدام، إذ تقع العديد من الحوادث بسبب الصيانة الرديئة للأجهزة الكهربائية.

و حافظ على إبقاء عُد القطع نظيفة وحادة، إذ تقل احتمالية عقلة حركة أدوات القطع ذات حواف القطع الحادة والتي يتم صيانتها بالشكل المناسب كما يسهل السيطرة عليها.

## ٥ إصلاح الجهاز الكهربائي

أ لا تصلح جهازك الكهربائي إلا لدى وكيل الصيانة المؤهل باستخدام قطع الاستبدال المطابقة بما يضمن الحفاظ على سلامة الجهاز الكهربائي.



## لا تقم بإعادة هذا المنتج إلى المخزن،

تم تصميم هذا المثقاب من باك أند ديكر لثقب الأخشاب والمعادن والبلاستيك وحجارة البناء، وهو مخصص لاستخدام المستهلك فقط.

## قواعد السلامة العامة

تحذيراً! اقرأ كافة التعليمات وافهمها جيداً. قد يؤدي عدم اتباع التعليمات الواردة أدناه إلى حدوث صدمة كهربائية أو حريق و/أو إصابة شخصية خطيرة.

## إرشادات السلامة

### تحذيرات السلامة العامة عند استخدام الأجهزة الكهربائية



تحذيراً! يجب قراءة كافة تحذيرات وإرشادات السلامة، إن قد يؤدي عدم الالتزام بالإرشادات والتعليمات المبينة أدناه إلى خطر التعرض لصدمة كهربائية و/أو إصابات خطيرة.

احتفظ بجميع تحذيرات وإرشادات السلامة للرجوع إليها مستقبلاً.

يشير مصطلح "جهاز كهربائي" حيثما ورد في الإرشادات المبينة أدناه إلى جميع الأجهزة الكهربائية التي تعمل بالكهرباء (الصلكية) أو بالبطارية (اللاسلكية).

### ١ سلامة منطقة العمل

أ يجب أن تكون منطقة العمل نظيفة ومضاءة جيداً. إن تزيد مخاطر التعرض للحوادث في المناطق المظلمة أو غير المنظمة.

ب لا تشغل الأجهزة الكهربائية في الأجواء القابلة للانفجار كما في محيط الغبار أو السوائل أو الغازات القابلة للاشتعال، إن ينجم عن استخدام الجهاز الكهربائي شظايا قد تتطاير ثم تشعل الغبار أو الأدخنة.

ج يجب إبعاد الأطفال والمارة عن منطقة العمل أثناء تشغيل الجهاز الكهربائي، وانتبه فقد تؤدي عوامل صرف الانتباه إلى فقدان التحكم بتلك الأجهزة.

### ٢ السلامة الكهربائية

أ يجب أن يتوافق قابس الجهاز الكهربائي مع المقبس. ويحظر تغيير القابس بأي حال من الأحوال أو استخدام أي قابس مهايئ مع الأجهزة الكهربائية التي لها طرف مؤرض (أرضي). ويخفف استخدام القابس غير المعدل والمقابس المتجانسة من خطورة التعرض للصدمة الكهربائية.

ب تجنب ملامسة الجسم للسطوح المؤرضة أو الأرضية كالأنابيب ورايتيرات التدفئة والمدافئ والثلاجات، إن تزداد خطورة التعرض للصدمة الكهربائية عندما يكون جسمك ملامساً للأرض.

ج لا تعرض الأجهزة الكهربائية للمطر أو الرطوبة، علماً بأن تسرب المياه إلى داخل الجهاز الكهربائي يزيد من خطورة التعرض للصدمة الكهربائية.

د لا تقم بإساءة استخدام السلك، فلا تستخدمه أبداً لحمل الجهاز الكهربائي أو لجذبه أو لفصل القابس عن المقبس. واحتفظ بالسلك بعيداً عن مصادر الحرارة أو الزيت أو الأطراف الحادة أو الأجزاء المتحركة. ويزيد تشابك الأسلاك أو تلفها من خطورة التعرض للصدمة الكهربائية.

ه لا تستخدم سوى كابلات التمديد المناسبة عند الاستخدام الخارجي للجهاز، إذ أن استخدام كابلات التمديد المناسبة يخفف من مخاطر التعرض للصدمة الكهربائية.

و إذا تعذر تجنب تشغيل الجهاز الكهربائي في الأجواء الرطبة، استخدم مفتاح للوقاية من التيار المتخلف، إذ إن استخدام ذلك المفتاح يقلل من خطر التعرض للصدمة الكهربائية.

ملاحظة: يمكن استبدال كلمة "قاطع الدورة" (RCD) بكلمة "قاطع التيار" (GFCI) أو بكلمة "قاطع الحماية من التسرب الأرضي" (ELCB).

### ٣ السلامة الشخصية

أ كن يقظاً وانتبه لما تفعله، وكن حذراً عند تشغيل الجهاز الكهربائي. ولا تستخدم الجهاز الكهربائي عند شعورك بالتعب أو عندما تكون تحت تأثير المخدرات أو الكحول أو الأدوية. إن قد يؤدي عدم الانتباه للحظة واحدة عند استخدام الجهاز الكهربائي إلى التعرض لإصابة خطيرة.

ب ارتد دائماً نظارات الوقاية ومعدات الحماية الشخصية مثل قناع الوقاية من الغبار وأحذية الأمان الواقية من الانزلاق والخوذ أو واقية الأذنين، إذ أن ارتداء المعدات المناسبة يقلل من خطر التعرض للإصابات.

ج احذر التشغيل المفاجئ للجهاز الكهربائي وذلك بالتأكد من غلق الجهاز قبل توصيله بالتيار الكهربائي و/أو حمزة البطارية، وقبل رفعه أو حمله. يؤدي وضع إصبعك على مفتاح التشغيل أثناء حمل الجهاز الكهربائي أو توصيل الجهاز بالشبكة الكهربائية عندما يكون قيد التشغيل إلى وقوع الحوادث.

د انزع عدة الضبط أو مفتاح الربط قبل تشغيل الجهاز الكهربائي، إذ قد تؤدي العدة أو المفتاح المتواجد في جزء دوار من الجهاز إلى الإصابة بجروح.

FIG. H

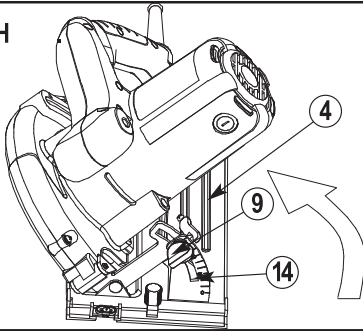


FIG. I

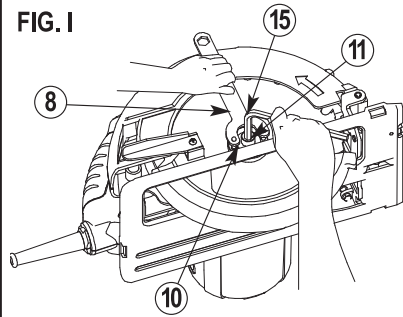


FIG. J

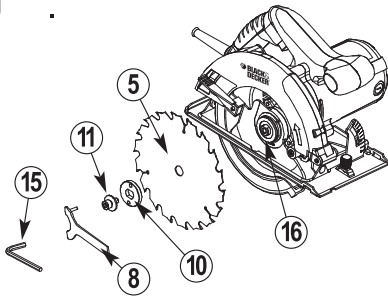


FIG. K

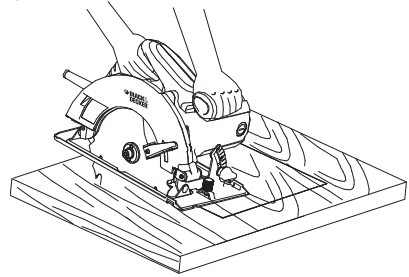


FIG. L

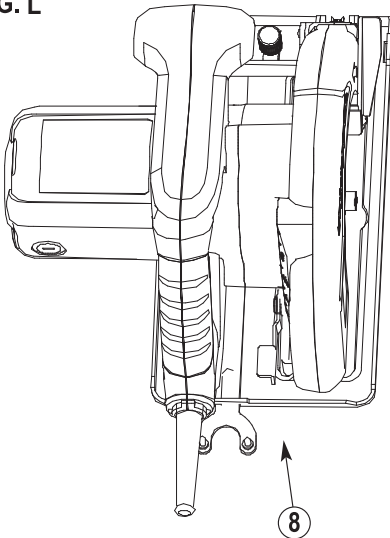


FIG. M

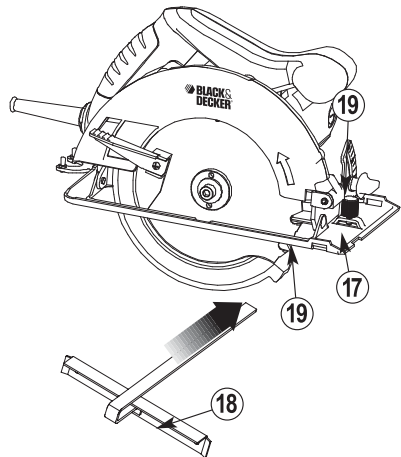


FIG. A

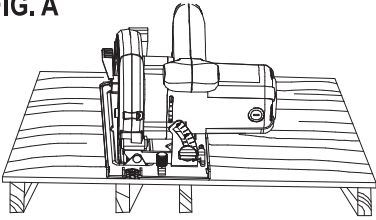


FIG. B

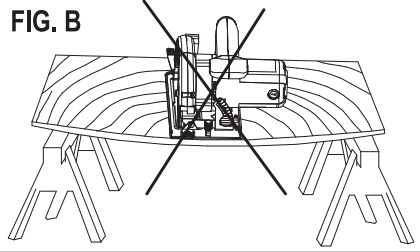


FIG. C

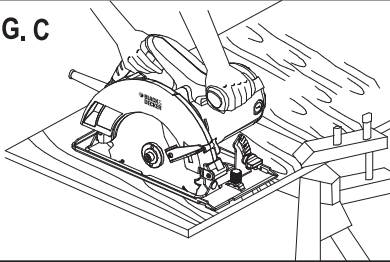


FIG. D

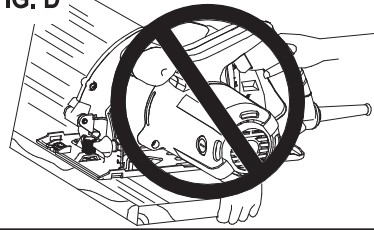


FIG. E

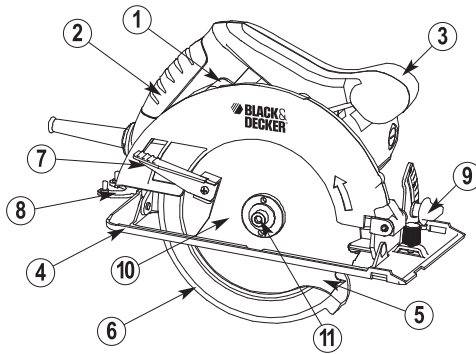


FIG. F

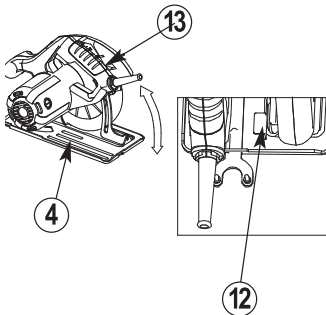
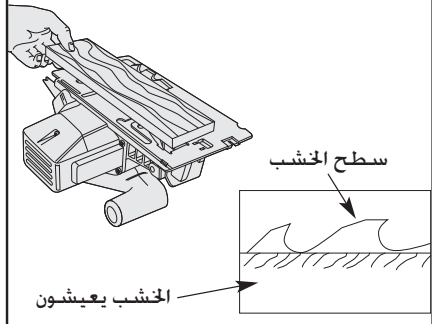


FIG. G







**WARRANTY REGISTRATION CARD**

YOUR NAME/ الإسم -----  
-----

YOUR ADDRESS العنوان -----  
-----  
-----  
-----

POSTCODE الرمز البريدي -----

DATE OF PURCHASE تاريخ الشراء -----

DEALER'S NAME & ADDRESS/ إسم وعنوان البائع -----  
-----  
-----

A large, empty rounded rectangular box with a thin black border, intended for a signature or stamp.

PRODUCT MODEL NO. BPSC1607



## Names & Addresses for Black & Decker Service Concessionaries

**ALGERIA:** Sarl Outillage Corporation, 08 Rue Med Boudiaf - Cheraga - Algiers, Algeria. Tel: (213-21) 375130, Fax: (213-21) 369667. **ANGOLA:** Angoferraria, Lda., Rua Robert Shields, No. 61, Luanda, Angola. Tel: 00244-222-395837 / 222-395034, Fax: 00244-222-394790. **AZERBAIJAN:** Royalton Holdings Ltd. 41 Khagani St. Apt. 47 AZ 1001, Baku. Tel: (994-12) 4935544, Fax: (994-12) 5980378. **BAHRAIN:** Kavalani & Sons W.L.L., P.O. Box 71, Sitra, Manama. Tel: (973) 17732888, Fax: (973) 17737379. Alfouz Services Co. W.L.L., P.O. Box 26562, Tubli, Manama. Tel: (973) 17783562, Fax: (973) 17783479. **EGYPT:** El Farab S.A.E., 15-Nabil El Wakkad Street, Dokki, Giza, Egypt. Tel: 00202-37603946 / 002-010-2582544, Fax: 00202-33352796. **ETHIOPIA:** Seif Tewfik Sherif, Arada Sub-City, Kebele 01/02, Global Insurance Building, 2nd Floor, Room 43, P.O. Box 2525, Addis Ababa, Ethiopia. Tel: (251-11) 1563968/ 1563969, Fax: (251-11) 1558009. **IRAQ:** Financial Links, Kazzaz Building Ararat Al-Hindia Block No: 629 Street: 31/Bldg No: 1 Baghdad - Iraq. Tel: 00964 (0)780 195 2223/ 00964 (0)781 3763044. Al Sard Co. for General Trading Ltd. Jbara Bldg. 3/Fir, Al Rasheed St. Baghdad. Tel: (964) 18184102. Sakhar Group, Arrasat al-hindya Al Masbah, Bagdad. (964) 7400144446. **JORDAN:** Palestine Bldg. Matl. (Bashiti Hardware), 93 King Abdullah 2nd Street, Opp. ELBA House, P.O. Box 3005, Amman 11953, Tel: (962-6) 5349098, Fax: (962-6) 5330731. **KENYA:** Dextron Tools Ltd., P.O. Box 20121-00200, Shariff House, Kimathi Street, Nairobi. Tel: (254-20) 6905000/ 2358021, Fax: (254-20) 6905111/ 6905112. **KUWAIT:** Al Omar Technical Co., P.O. Box 4062, 13041 Safat, Kuwait. Tel: (965) 24848595/ 24840039, Fax: (965) 24845652. Fawaz Al Zayani Establishment, P.O. Box 42426, Shop No. 18, Al Humaizi Commercial Complex, Khalifa Al Jassim, Shuwaikh, Kuwait. Tel: (965) 24828710, Fax: (965) 24828716. Fawaz Al Zayani Establishment, P.O. Box 42426, Shop No.18, Al Humaizi Commercial Complex, Khalifa Al Jassim, Shuwaikh, Kuwait. Tel: (965) 24828710, Fax: (965) 24828716. Fawaz Al Zayani Establishment, Fahaeel Industrial Area, Main St., Sanaya, Kuwait. Tel: (965) 23925830, Fax: (965) 24282716. **LEBANON:** Est. Shaya & Azar S.A.R.L., Boulevard Jdeideh - Mar Takla - Bouchrieh .P.O. Box 90545 Jdeideh.Beirut - Lebanon. Tel: 00961 1 8723205 / 306, Fax: 00961 1 8723033. **LIBYA:** North Africa Trading ( El Ghoul Brothers), AlHilal Service Center Tawergha St. Misurata, Tel: 00218-091-3221408. **(Benghazi)** Sniydell st., Amr Ibn EL-Aas Rd. Tel: (+218) 92 5771120. **(Tripoli)** Al Barniq Service Center, Mokhazin eluskar st., ElFallah. Tel: (+218) 21 4808019. **(Misrata)** Al Hilal Service Center, Tawergha st. Tel: (+218) 51 2626743. **MAURITIUS:** Robert Le Marie Limited, Old Moka Road, Bell Village, P.O. Box 161, Port Louis. Tel: 00230-212 1865/ 212 2847, Fax: 00230-2080843. **MOROCCO:** Ets Louis Guillaud & Cie, 149, Quartier Industriel, Moulay Rachid, Casablanca, Postal Code 20450, Morocco. Tel: 00212-522729233, Fax: 00212-522729096. **NIGERIA:** Meridian Power Tools Ltd., Gr.Floor, #1 Alhaji Masha Rd, Next to Teslim Balogun Stadium, Near National Stadium Surulere, Lagos, Nigeria. Tel: 00234-1-774031 / 7740410, Fax: 00234-1-7913798. **OMAN:** Al Jizzi Company LLC, P.O. Box 1704,PC 112 Ruwi, Oman. Tel: (968) 24832618/ 24835153, Fax: (968) 24831334/24836460. Al Hassan Technical & Construction Supplies Co. LLC, P.O. Box 1948, P.C. 112, Ruwi, Tel: (968) 24810575 / 24837054, Fax: (968) 24810287/24833080. Oman Hardware Co. LLC, P.O. Box 635, Ruwi Postal Code 112, Tel: (968) 24815131, Fax: (968) 24816491. Khimji Ramdas, P.O. Box 19, Post Office No. 0, Ghalah, Muscat, Oman. Tel: (968) 24595906/ 907, Fax: (968) 24852752. Oman Marketing & Service Co. (Omasco), P.O. Box 2734, Behind Honda Showroom, Wattayah, Oman. Tel: (968) 24560232/ 24560255, Fax: (968) 24560993. Oman Marketing & Service Co. (Omasco), Al Ohi, Sohar, Oman. Tel: (968) 26846379, Fax: (968) 26846379. Oman Marketing & Service Co. (Omasco), Sanaya, Salalah, Oman. Tel: (968) 23212290, Fax: (968) 23210936. **PAKISTAN:** ZIT Co - Nasir & Bros., 2nd Floor, Qadri Center, Chokwal Dargan Railway Road, Lahore, Pakistan. Tel: 0092 42 37670839, Fax: 0092 42 37652989. Ammar Service & Spares, 60-Bank Arcade, Serai Road, Karachi, Pakistan. Tel: (92-21) 32426905, Fax: (92-21) 32427214. **QATAR:** Teysee Industrial Supplies & Services Co. W.L.L, 55, Al Wakalat St. (Between St. 18 & 19) Salwa Industrial Area, P.O. Box 40523 Doha,Qatar. Tel: (974) 44581536, Fax: (974) 44682024. Shaheen Electrical Works & Trading Co. W.LL, Gate 34, St. 44 Industrial Area P.O. Box 9756, Doha. Tel: (974) 44600230 /44600525, Fax: (974) 44601338. Al Mufteh Service Centre, Al Wakrah Road, P.O. Box 875, Doha,Qatar. Tel: (974) 44650880/ 44650110/ 44446868, Fax: (974) 44441415 / 44662599. **SAUDI ARABIA: (Al Bahr)** Mohamed Ahmed Bin Aff Est., P.O. Box 530, Yanbu, Al Bahr. Tel: (966-4) 3222626/ 3228867, Fax: (966-4) 3222210. **(Al Khobar)** Fawaz Ebrahim Al Zayani Trading Est., P.O. Box 76026, Al Khobar # 31952, Tel: (966-3) 8140914, Fax: (966-3) 8140824. MSS (Al-Mojil Supply & Services) P.O. Box 450, Jubail 31951, Opp. Gulf Bridge Library & Riyadh House. Tel: (966-3) 3612850/ 3624487/ 3621729, Fax: (966-3) 3623589/ 3620783. **(Dammam)** MSS (Al-Mojil Supply & Services), P.O. Box 450, Jubail 31951.Opp-Gulf Bridge Library & Riyadh House. Tel: (966-3) 3612850 / 3624487 / 3621729, Fax: (966-3) 3623589 / 3620783. **(Al Bawardi Tools & Hardware)**, P.O. Box 112, Dammam, Tel: (966-3) 8330780 Ext.24 / 8348585 Ext. 24 / +966-3-8335555, Fax: (966-3) 8336303. **(Al Hassa)** Mutawa Trading & Gen. Services, Maliki road Hafuf city, Al Hassa, KSA. Tel: (966) 502846275 **(Jeddah)** Al Bawardi Tools & Hardware, P.O. Box 16905, Jeddah 21474, Tel: (966-2) 6444547 / 6439035 / 6456095, Fax: (966-2) 6439024. EAC (Al Yousef Contg. & Trdg. Est.), P.O. Box 30377, Jeddah -21477, Tel: (966-2) 6519912, Fax: (966-2) 6511153. **(Madina)** Garziz Trading for Bldg Mat & Decoration, P.O. Box 3364, Madina. Tel: (966-4) 826 14 90 / 8227636, Fax: (966-4) 8265741. **(Riyadh)** Industrial Material Organization (IMO), P.O. Box 623, Rial Street, Riyadh, Tel: (966-1) 4028010 Ext 26 / 8001245757, Fax: (966-1) 4037970. Sultan Garment Factory (RSC), P.O. Box 29912, Riyadh 11467, KSA, Tel: (966-1) 4055148 / 4042889, Fax: (966-1) 4055148. Al Bawardi Tools & Hardware, P.O. Box 68, Riyadh 11411, Tel: (966-1) 4484999, Fax: (966-1) 4487877. **(Yanbu)** Fawaz Ebrahim Al Zayani, Opposite to Al Fouzan, Jeddah highway or King Abdul Aziz road, Yanbu. Tel: (966-4) 3960980, Fax: (966-4) 3961980. Mohamed Ahmed Bin Aff Est., P.O. Box 530, Yanbu, Al Bahr, Tel: (966-4) 3222626/ 3228867, Fax: (966-4) 3222210. **SOUTH AFRICA:** Stanley Black & Decker - RSA, 199 Winze Drive Stormill Exit 9 Rooodepoort. Tel: (2711) 472 0454, Fax: (2711) 472 0482. Trevco Power Tool Service 14 Steenbok Street, Koedoespoort, 0186, Pretoria, South Africa. Tel: (27-86) 1873826, Fax: (27-86) 5001771. **TANZANIA:** General Motors investment Ltd., P.O. Box 16541, 14 Nyerere Road, Vingunguti, Dar-es-Salaam. Tel: (255 22) 2862661/ 2865022, Fax: (255 22) 2862667. **TUNISIA:** Societe Tunisienne De Maintenance (STM), Rue de la Physique. Nouvelle Zone Industrielle Ben Arous, 2013 Ben Arous, Tunisia. Tel: (+216) 79 389687, Fax: (+216) 71 385154. **UAE: (Abu Dhabi)** Light House Electrical, P.O. Box 120, Abu Dhabi. Tel: (971-2) 6726131, Fax: (971-2) 6720667. Galaxy Equipment Trading, Madinat Zayed (Baada Zaid), Abu Dhabi P.C. 58910, Tel: (971-2) 8844279, Fax: (971-2) 8844297 **(Ajman)** Al Suikon Gen. Trdg. Co. LLC, P.O. Box 2975, Ajman. Tel: (971-6) 7435725/ 7438317, Fax: (971-6) 7437350. Al Suikon Gen. Trdg. Co. LLC, P.O. Box 2975, Ajman, Tel: (971-6) 7435725 / 7438317, Fax: (971-6) 7437350 **(Al Ain)** Zillion Equipment and Spare Parts Trading LLC, P.O. Box 19740, Opp. Bin Sadal/ Trimix Redymix Sanaiya, Al Ain. Tel: (971-3) 7216690, Fax: (971-3) 7216103. **(Dubai)** Black & Decker (Overseas) GmbH, P.O. Box 5420, Dubai. Tel: (971-4) 8127400/ 8127406, Fax: (971-4)8227265. Ideal Star Workshop Expt.Trading LLC, P.O. Box 37116, Al Quoz, Dubai. Tel: (971-4) 3474160, Fax: (971-4) 3474157, Fine Tools, P.O.Box 30139, Al Quoz, Dubai. Tel: (971-4) 3385240, Fax: (971-4) 3385239, Alebrah Engineering Service, P.O. Box 78954, Al Qusais, Dubai. Tel: (971-4) 2850044, Fax: (971-4) 2848402. **(Musafah)** Light House Electrical, P.O. Box 120, Abu Dhabi. Tel: (971-2) 5548315, Fax: (971-2) 5540461. **(Sharjah)** Mc Coy Middle East LLC, P.O. Box 25793, Sharjah. Tel: (971-6) 5395931, Fax: (971-6) 5395932. Burj Al Madeena, Industrial Area No.1, Opp. Pakistani Masjid, P.O. Box 37635, Sharjah. Tel: (971-6) 5337747, Fax: (971-6) 5337719. Burj Al Madeena, Industrial Area No 1, opp Pakistani Masjid P.O. Box 37635, Sharjah. Tel: (971-6) 5337747, Fax: (971-6) 5337719. **(Ras Al Khaimah)** Mc Coy Middle East LLC, P.O. Box 10584, Ras Al Khaimah, Tel: (971-7) 2277095, Fax: (971-7) 2277096. **UGANDA:** The Building Center (U) Ltd., 52 Station Road, Kitgum House, P.O. Box 7436, Kampala, Uganda. Tel: (256-41) 4234567/ 4259754, Fax: (256-41) 4236413. **YEMEN: (Aden)** Middle East Trd. Co. Ltd. (METCO), Mualla Dakka, Aden, Yemen. Tel: (967-2) 222670, Fax: (967-2) 222670. **(Sana'a)** Middle East Trd. Co. Ltd. (METCO), Hayel St., Sana'a, Yemen. Tel: (967-1) 204201, Fax: (967-1) 204204. **(Taiz)** Middle East Trading Co. (METCO), P.O. Box 12363, 5th Fir, Hayel Saeed Anam Bldg, Al-Mugamma St. Taiz, Yemen. Tel: (967-4) 213455, Fax: (967-4) 219869.