



No.Reg. IMKG.2626.11.2020

www.blackanddecker.com

Handheld vacuum cleaner

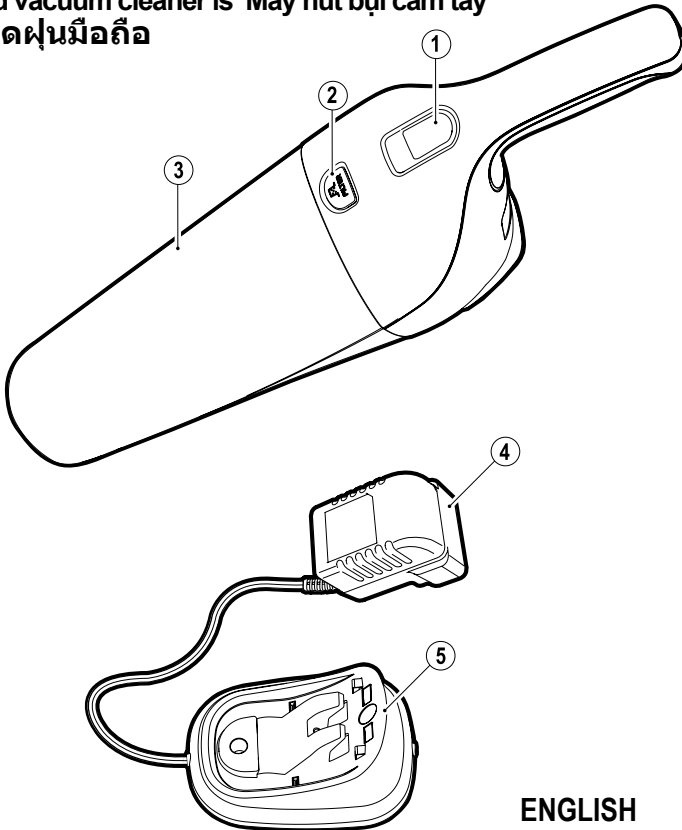
手持式真空吸塵器

핸디 진공 청소기

Handheld vacuum cleaner is penghisap debu tangan

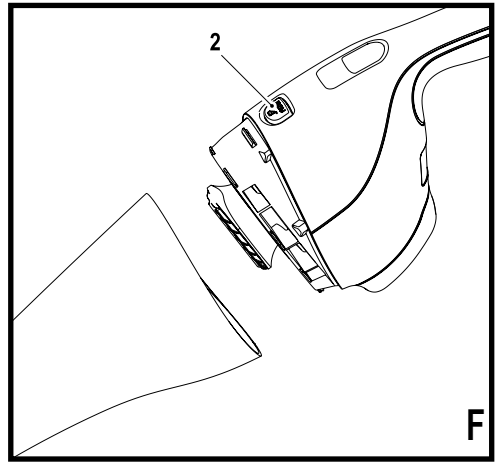
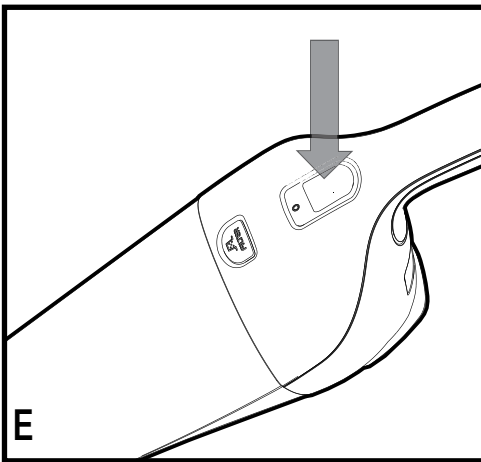
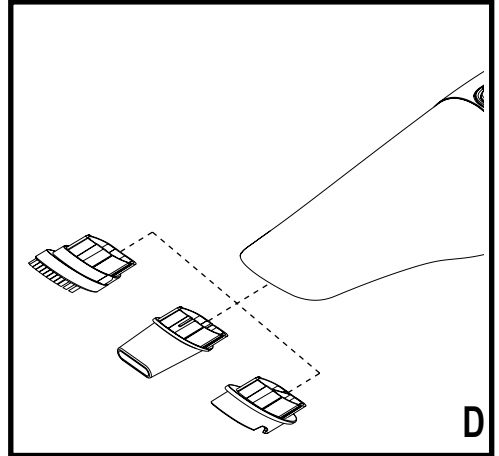
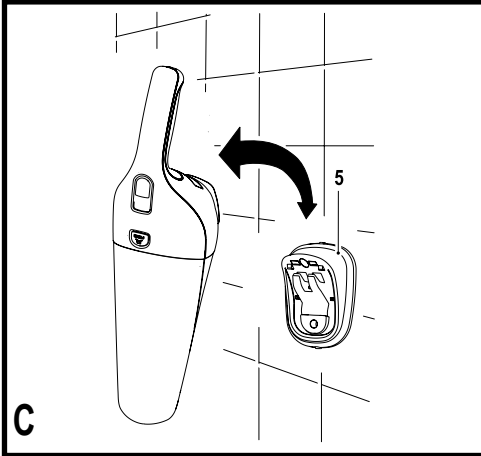
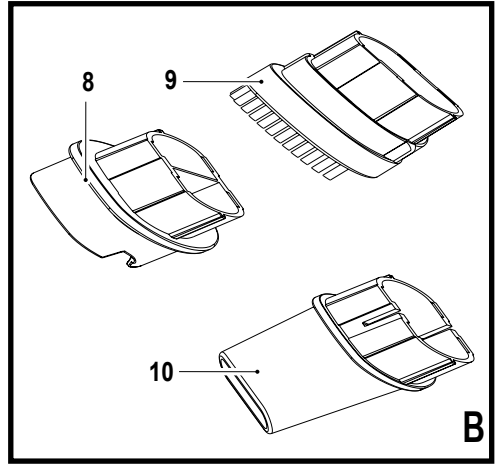
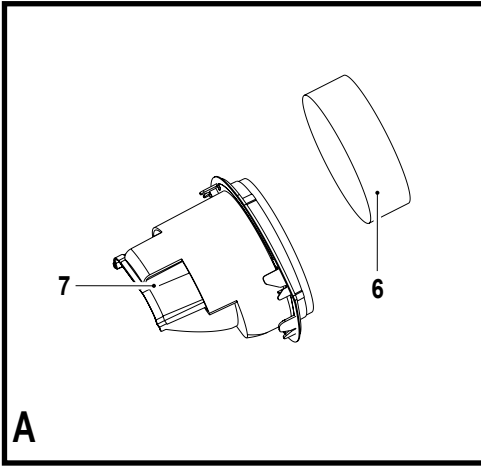
Handheld vacuum cleaner is Máy hút bụi cầm tay

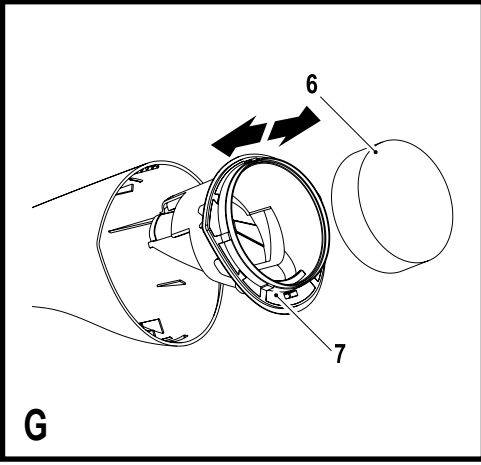
เครื่องดูดฝุ่นมือถือ



WD7201B
WD7201G
WD7201O

ENGLISH	4
繁體中文	9
한국어	13
BAHASA INDONESIA	17
Tiếng Việt	22
ไทย	26





Intended use

Your BLACK + DECKER Dustbuster® handheld vacuum cleaner has been designed for light wet and dry vacuum cleaning purposes

This appliance is intended for household use only.

Safety instructions



Warning! Read all safety warnings and all instructions.

Failure to follow the warnings and instructions listed below may result in electric shock, fire and/or serious injury.



Warning! When using battery-powered appliances, basic safety precautions, including the following, should always be followed to reduce the risk of fire, leaking batteries, personal injury and material damage.

- ◆ Read all of this manual carefully before using the appliance.
- ◆ The intended use is described in this manual. The use of any accessory or attachment or the performance of any operation with this appliance other than those recommended in this instruction manual may present a risk of personal injury.
- ◆ Retain this manual for future reference.

Using your appliance

- ◆ Do not use the appliance to pick up liquids or any materials that could catch fire.
- ◆ Do not use the appliance near water.

- ◆ Do not immerse the appliance in water.
- ◆ Never pull the charger lead to disconnect the charger from the socket. Keep the charger lead away from heat, oil and sharp edges.
- ◆ This appliance can be used by children aged from 8 years and above and persons with reduced physical, sensory or mental capabilities or lack of experience and knowledge if they have been given supervision or instruction concerning use of the appliance in a safe way and understand the hazards involved. Children shall not play with the appliance. Cleaning and user maintenance shall not be made by children without supervision.

Inspection and repairs

- ◆ Before use, check the appliance for damaged or defective parts. Check for breakage of parts, damage to switches and any other conditions that may affect its operation.
- ◆ Do not use the appliance if any part is damaged or defective.
- ◆ Have any damaged or defective parts repaired or replaced by an authorized repair agent.
- ◆ Regularly check the charger lead for damage. Replace the charger if the lead is damaged or defective.
- ◆ Never attempt to remove or replace any parts other than those specified in this manual.

Additional safety instructions

Residual risks.

Additional residual risks may arise when using the tool which may not be included in the enclosed safety warnings. These risks can arise from misuse, prolonged use etc.

Even with the application of the relevant safety regulations and the implementation of safety devices, certain residual risks can not be avoided. These include:

- ◆ Injuries caused by touching any moving parts.
- ◆ Injuries caused by touching any hot parts.
- ◆ Injuries caused when changing any parts or accessories.
- ◆ Injuries caused by prolonged use of the appliance. When using any appliance for prolonged periods ensure you take regular breaks.

Batteries and chargers

Batteries

- ◆ Never attempt to open for any reason.
- ◆ Do not expose the battery to water.
- ◆ Do not expose the battery to heat.
- ◆ Do not store in locations where the temperature may exceed 40°C.
- ◆ Charge only at ambient temperatures between 10°C and 40°C.
- ◆ Charge only using the charger provided with the appliance/tool. Using the wrong charger could result in an electric shock or overheating of the battery.
- ◆ When disposing of batteries, follow the instructions given in the section "Protecting the environment".
- ◆ Do not damage/deform the battery pack either by puncture or impact, as this may create a risk of injury and fire.
- ◆ Do not charge damaged batteries.
- ◆ Under extreme conditions, battery leakage may occur. When you notice liquid on the batteries carefully wipe the liquid off using a cloth. Avoid skin contact.

- ◆ In case of skin or eye contact, follow the instructions below.

Warning! The battery fluid may cause personal injury or damage to property. In case of skin contact, immediately rinse with water. If redness, pain or irritation occurs seek medical attention. In case of eye contact, rinse immediately with clean water and seek medical attention.

Chargers

Your charger has been designed for a specific voltage. Always check that the mains voltage corresponds to the voltage on the rating plate and the information in the technical data table.

Warning! Never attempt to replace the charger unit with a regular mains plug.

- ◆ Use your BLACK+DECKER charger only to charge the battery in the appliance/tool with which it was supplied. Other batteries could burst, causing personal injury and damage.
- ◆ Never attempt to charge nonrechargeable batteries.
- ◆ If the supply cord is damaged, it must be replaced by the manufacturer or an authorised BLACK+DECKER Service Centre in order to avoid a hazard.
- ◆ Do not expose the charger to water.
- ◆ Do not open the charger.
- ◆ Do not probe the charger.
- ◆ The appliance/tool/battery must be placed in a well ventilated area when charging.

Electrical safety

Your charger has been designed for a specific voltage. Always check that the mains voltage corresponds to the voltage on the rating plate. Never attempt to replace the charger unit with a regular mains plug.

Symbols on the charger



Read all of this manual carefully before using the appliance.



This tool is double insulated; therefore no earth wire is required. Always check that the power supply corresponds to the voltage on the rating plate.



The charging base is intended for indoor use only.

Labels on appliance

The following symbols appear on this appliance along with the date code:



Read all of this manual carefully before using the appliance.



Only use with charger S003AQV1500015

Features

This tool includes some or all of the following features.

1. On/off switch (press and hold)
2. Bowl release button
3. Dust bowl
4. Charger
5. Charging bracket

Fig. A

6. Wet/Dry foam insert
7. Wet/Dry deflector

Fig. B

8. Squeegee
9. Brush tool
10. Crevice tool

Installation

Wall Mounting (fig. C)

The product can be attached to a wall to provide a convenient storage and charging point for the appliance.

When fixing to a wall, make sure that the fixing method is suitable for the wall type and is appropriate to the weight of the appliance.

- ◆ Mark the location of the screw holes (within reach of an electrical outlet for charging the vac while it is on the wall bracket).

- ◆ Fix the mounting bracket to the wall using appropriate screws and plugs for the type of wall and weight of the appliance.
- ◆ Hang the appliance on the wall by placing the opening on the base of the vac over the hooks in the wall mount charging bracket.

Assembly

Accessories (fig. B)

These models may be supplied with some of the following accessories:

- ◆ A squeegee tool (8) for wet use on hard surfaces.
- ◆ A brush tool (9) for furniture and stairs.
- ◆ A crevice tool (10) for confined spaces.

Fitting (Fig. D)

- ◆ Insert the appropriate accessory into the front of the appliance. Make sure that the accessory is pushed fully in.

Use

- ◆ Before first use, the battery must be charged for at least 10 hours.
- ◆ Place the appliance on the charging bracket whenever it is not in use.

Warning! Before charging, be sure to empty all liquid contents and dry thoroughly, to avoid damage to your appliance.

Charging the battery (Fig. C)

- ◆ Make sure that the appliance is switched off. The battery will not be charged with the on/off switch (1) pressed.
- ◆ Place the appliance on the charging bracket (5).
- ◆ Plug in the charger. Switch on at the mains.
- ◆ Leave the appliance to charge for at least 21 hours.

While charging, the charger may become warm. This is normal and does not indicate a problem. The appliance can be left connected to the charger indefinitely.

Warning! Do not charge the battery at ambient temperatures below 10 °C or above 40 °C.

Switching on and off (fig. E)

- ◆ To switch the appliance on, press and hold the on/off switch (1).
- ◆ To switch the appliance off, release on/off switch (1).

Wet and dry pick up

- ◆ For everyday spills of dry material, use your appliance without the squeegee accessory.

Warning! Your product is designed for light spills only.

- ◆ This appliance can also be used to pick up everyday liquid spills. Use the squeegee accessory on non-absorbent, hard surfaces. On absorbent surfaces, such as carpet, your appliance will pick up wet spills better without the accessory.
- ◆ For best performance on hard surface wet pickups, insert squeegee into the bowl nozzle opening.
- ◆ For best results when using this accessory, hold the appliance at an angle of 45° and pull it slowly towards you.
- ◆ Do not fill the bowl beyond the end of the intake chute. If there is any liquid in the bowl, do not turn the unit upside down, sideways, point the nozzle upward, or shake the vac excessively.
- ◆ After picking up liquid substances clean the appliance and filter immediately. Mold and mildew may form if the unit is not properly cleaned after wet pickups.
- ◆ Before charging, be sure to empty all liquid contents and dry thoroughly, to avoid damage to your appliance.

Optimising the suction force

In order to keep the suction force optimised, the filters must be cleared regularly during use.

Emptying and cleaning the product.

Removing the dust bowl and filters (fig. F).

Warning! The filters are re-usable and should be cleaned regularly.

- ◆ Press the bowl release button (2) and pull the dust bowl (3) straight off.
- ◆ While holding the dust bowl over a bin or sink, pull out the filter to empty the contents of the bowl.
- ◆ To replace the dust bowl, place it back onto the handle until it "clicks" firmly into position.

Warning! Never use the appliance without the filters. Optimum dust collection will only be achieved with clean filters.

Foam insert (fig. G)

- ◆ Place the foam insert (6) into the centre of the wet/dry deflector (7).

Warning! Never use the appliance for wet applications without the water deflector and foam insert fitted.

Cleaning the dust bowls and filters

- ◆ The dust bowls and filters can be washed in warm soapy water.
- ◆ Make sure that the filters and the dust bowl are dry before re-fitting.

Replacing the filters

The filters should be replaced every 6 to 9 months and whenever worn or damaged.

Replacement filters are available from your BLACK+DECKER dealer.

Maintenance

Your BLACK+DECKER corded/cordless appliance/tool has been designed to operate over a long period of time with a minimum of maintenance. Continuous satisfactory operation depends upon proper tool care and regular cleaning.

Warning! Before performing any maintenance on corded/cordless power tools:

- ◆ Switch off and unplug the appliance/tool.
- ◆ Or switch off and remove the battery from the appliance/tool if the appliance/tool has a separate battery pack.
- ◆ Or run the battery down completely if it is integral and then switch off.
- ◆ Unplug the charger before cleaning it. Your charger does not require any maintenance apart from regular cleaning.
- ◆ Regularly clean the ventilation slots in your appliance/tool/charger using a soft brush or dry cloth.
- ◆ Regularly clean the motor housing using a damp cloth. Do not use any abrasive or solvent-based cleaner.

Protecting the environment



Separate collection. Products and batteries marked with this symbol must not be disposed of with normal household waste.

Products and batteries contain materials that can be recovered or recycled reducing the demand for raw materials. Please recycle electrical products and batteries according to local provisions. Further information is available at www.2helpU.com

Technical data

WD7201B/WD7201G/WD7201O	
Voltage (V _{ac})	7.2
Battery	Li-Ion
Weight (Kg)	0.65
Charger	
Input V (V _{ac})	220 - 240
Output Voltage (V)	15
Current (mA)	150
Approx charge time (h)	10

Service Information

Black & Decker offers a full network of company-owned and authorized service locations throughout Asia. All Black & Decker Service Centers are staffed with trained personnel to provide customers with efficient and reliable product service.

Whether you need technical advice, repair, or genuine factory replacement parts, contact the Black & Decker location nearest to you.

NOTE

- ◆ Black & Decker's policy is one of continuous improvement to our products and, as such, we reserve the right to change product specifications without prior notice.
- ◆ Standard equipment and accessories may vary by country.
- ◆ Product specifications may differ by country.
- ◆ Complete product range may not be available in all countries. Contact your local Black & Decker dealers for range availability.

請注意！ 各地區上市產品 / 配件不盡相同，請依台灣繁體中文說明書的內容為主。

Warning! Attachments and accessories are not the same in each region, please only refer to Taiwan Traditional Chinese description in this manual.

設計用途

本 BLACK + DECKER Dustbuster® 手持式真空吸塵器專為執行輕量乾濕真空清潔而設計。本工具僅供家庭使用。營業使用者不適用百得一年保修條款

安全指示



警告！請閱讀所有安全警告及指示。
若不遵循以下所示警告及指示，可能會導致觸電、火災及 / 或嚴重傷害。



警告！ 使用電池驅動的工具時，應始終遵循基本的安全預防措施，包括以下安全預防措施，以降低發生火災、電池漏電以及人身傷害和材料損壞的風險。

- ◆ 使用工具前，請仔細閱讀本手冊全部內容。
- ◆ 器具的設計用途已在本手冊中載明。若使用並非本使用手冊中所建議的配件或附件，或者使用本器具執行並非本使用手冊中所建議的操作，可能會有人身傷害的風險。
- ◆ 請妥善保存本手冊以備將來查閱。

使用工具

- ◆ 請勿使用本工具吸取任何液體或任何易燃材料。
- ◆ 請勿在靠近水的地方使用本工具。
- ◆ 請勿將本工具浸入水中。
- ◆ 請勿拉扯充電器引線以將充電器從插座上拔下。讓充電器遠離熱、油和銳邊。
- ◆ 年滿 8 歲的兒童，以及身體、感覺或心理機能不健全的人員或缺乏經驗及知識的人員，若在針對安全使用本器具的監督或指示之下，並已瞭解所涉及的危險，則可以使用本器具。兒童不得玩耍本器具。請勿在沒有監督的情況下讓小孩對本工具進行清潔和維護。

檢查和維修

- ◆ 使用前，請檢查本器具的零件是否損壞或有缺陷。檢查零件破損情況以及可能影響操作的開關損壞和任何其他狀況。
- ◆ 若發現任何零件已損壞或有故障，請勿使用本工具。
- ◆ 將所有受損或有故障的零件送往授權的維修中心進行維修或更換。
- ◆ 定期檢查充電器引線是否出現損壞。如充電器有任何損壞或出現故障，請立即更換。
- ◆ 除了本手冊中指定的零件之外，切勿嘗試卸下任

何其他零件或對其進行替換。

額外安全指示

剩餘風險。

使用工具時可能會出現未包括在隨附的安全警告中的其他剩餘風險。誤用、長時間使用工具等因素會導致這些風險。

即使遵循相關安全規定並採用安全裝置，仍然無法避免某些殘餘風險。此類風險包括：

- ◆ 接觸活動零件所引起的傷害。
- ◆ 接觸熱零件所引起的傷害。
- ◆ 更換任何零件或配件所引起的傷害。
- ◆ 長時間使用工具所引起的傷害。長時間使用任何工具時，請確保定期休息。

電池和充電器

電池

- ◆ 不論是因為任何理由，都請勿嘗試打開電池。
- ◆ 請勿將電池暴露在水中。
- ◆ 請勿將電池暴露在熱力中。
- ◆ 請勿將電池儲存在溫度可能超過 40°C 的地方。
- ◆ 只在環境溫度介於 10°C 和 40°C 之間的情況下充電。
- ◆ 只能使用本器具 / 工具隨附的充電器為電池充電。使用不適當的充電器可能會導致觸電或電池過熱。
- ◆ 處置電池時，請遵循「保護環境」一節所提供的指示。
- ◆ 請勿穿刺或撞擊電池組導致其損壞 / 變形，這將產生傷害及火災的風險。
- ◆ 請勿為損壞的電池組充電。
- ◆ 在極端情形下，可能會出現電池漏電。當電池上出現液體時，請用布小心將其擦掉。避免與液體接觸。
- ◆ 若與皮膚或眼睛接觸，請遵循以下指示。

警告！ 電池液體可能會導致個人傷害或財產損失。如果電池液體接觸到皮膚，請立即以清水沖洗。如皮膚出現紅腫、疼痛或刺激反應，請尋求醫療協助。如電池液體接觸到眼睛，請立即以清水沖洗並尋求醫療協助。

充電器

您的充電器設計用於特定電壓。請務必檢查電源電壓是否與銘牌以及技術資料表上的資訊一致。

- 警告！** 切勿嘗試使用一般的電源插頭取代充電器裝置。
- ◆ 只能使用器具 / 工具隨附的 BLACK+DECKER 充電器為器具 / 工具內的電池充電。其他非原廠電池可能會爆裂，導致人身傷害和損害。
 - ◆ 切勿嘗試為不可再充電的電池充電。
 - ◆ 若電源線損壞，必須送往製造廠商或授權的 BLACK+DECKER 服務中心更換以避免發生危險。

- ◆ 請勿將充電器暴露在水中。
- ◆ 請勿打開充電器。
- ◆ 請勿刺破充電器。
- ◆ 充電時，必須將器具 / 工具 / 電池放在通風良好的區域。

電氣安全

您的充電器設計用於特定電壓。請務必檢查主電壓是否與銘牌一致。切勿嘗試使用一般的電源插頭取代充電器裝置。

充電器上的符號



使用工具前，請仔細閱讀本手冊全部內容。



本工具採用雙重絕緣，因此無需接地線。請務必檢查電源電壓是否與銘牌一致。



充電底座僅供室內使用。

器具上的標籤

本器具上具有以下圖示與日期代碼：

製造年份及號碼(範例)

2016 23 BM

西元年份 週數 機號



使用工具前，請仔細閱讀本手冊全部內容。



僅可搭配使用充電器 N526379

功能部件

本工具包括以下部分或全部功能部件。

1. 電源開關 (按住)
2. 集塵筒釋放按鈕
3. 集塵筒
4. 充電器
5. 充電托架

圖 A

6. 濕 / 乾海棉濾心
7. 濕 / 乾偏導體

圖 B

8. 橡膠清潔器 (液體用)
9. 刷頭工具
10. 細縫吸嘴

安裝

牆面安裝 (圖 C)

本產品可以安裝於牆面，方便儲存以及為器具充電。安裝於牆面時，請確保安裝方式適合牆面類型，適合器具重量。

- ◆ 標記螺絲洞的位置 (確保將器具置放在牆面支架上時，附近有電源插座可充電)

- ◆ 請使用符合牆面類型與器具重量的螺絲和插頭，將固定托架安裝於牆面。
- ◆ 將器具底部的開口掛在牆面固定充電托架的鉤上，從而將器具掛在牆上。

裝配

配件 (圖 B)

這些型號可能會隨附以下一些配件：

- ◆ 橡膠清潔器工具 (8) 用於在硬質表面上清理液體。
- ◆ 毛刷工具 (9)，用於清潔傢俱與樓梯。
- ◆ 細縫吸嘴工具 (10)，用於清潔狹窄的空間。

安裝 (圖 D)

- ◆ 將適當的配件插入器具前端。確保配件已完全安裝於器具內。

使用

- ◆ 第一次使用之前，必須將電池充電至少 10 小時。
- ◆ 不使用時，請將器具置放在充電托架上。

警告！ 充電前，請確保將器具裡的所有液體倒空並徹底晾乾，以避免損壞器具。

為電池充電 (圖 C)

- ◆ 確保器具電源已關閉。按下電源開關 (1) 時，電池無法充電。
- ◆ 將器具置放在充電托架 (5) 上。
- ◆ 插入充電器。打開電源。
- ◆ 將器具充電至少 10 小時。

充電器在充電時可能會變熱，這是正常現象，不代表工具故障。器具可以一直與充電器保持連接。

警告！ 在電池用完電量後，建議馬上充電，鋰電池請勿過度放電，電力過度耗竭會導致鋰電池損壞。若長時間未使用電池 (1 年以上)，請每 6 個月為電池充電一次，以確保電池壽命。請勿在環境溫度低於 10°C 或高於 40°C 的狀況下為電池充電。

開啟與關閉 (圖 E)

- ◆ 若要開啟本器具電源，請按住電源開關 (1)。
- ◆ 若要關閉本器具電源，請鬆開電源開關 (1)。

乾濕吸取

- ◆ 若要用器具清理日常散落的乾性物質，請勿使用橡膠清潔器配件。

警告！ 本產品的設計僅用於清理輕量的散落物質。

- ◆ 本器具也可用於吸取日常的溢漏液體。在較硬、不吸收液體的表面上，請使用橡膠清潔器進行清潔。在能吸收液體的表面上，如地毯，若不使用橡膠清潔器，吸取液體的效果會更佳。
- ◆ 若要在硬質表面上吸取液體時取得最佳效能，請

- 將橡膠清潔器插入集塵筒卡槽開口。
- ◆ 若要在使用該配件時取得最佳使用效果，請以 45° 角握緊器具，然後將其緩慢拉向您。
 - ◆ 請勿讓塵埃溢滿吸入槽。如集塵筒中有任何液體，請勿將裝置倒置、側放、將吸塵嘴朝上，或過渡搖晃裝置。
 - ◆ 吸取液體之後，請立即清潔器具和濾心，避免裝置發霉或滋生細菌。
 - ◆ 充電前，請確保將器具裡的所有液體倒空並徹底晾乾，以避免損壞器具。

最佳化吸力

為保持最佳吸力，在使用期間，必須定期清潔過濾器。

清空和清潔產品。

卸下集塵筒與濾心 (圖 F)。

警告！ 濾心可以重複使用，並應定期清潔。

- ◆ 按下集塵筒釋放按鈕 (2) 然後拉出集塵筒 (3)。
- ◆ 手持集塵筒放置於垃圾桶或水槽上方，然後拉出濾心將集塵筒清空。
- ◆ 若要裝回集塵筒，請將其放回到手柄上，直到聽到牢固鎖定到位的「卡達」聲。

警告！ 操作工具時，一定要與濾芯配合使用。清潔的濾心方可最佳化塵埃收集。

海棉濾心 (圖 G)

- ◆ 將海棉濾心 (6) 置於濕 / 乾偏導器 (7) 的中央。

警告！ 切勿在未完裝塑膠濾網與海棉濾心的情況下使用本器具清理 / 吸取液體。

清潔集塵筒和濾心

- ◆ 可以使用溫肥皂水清洗集塵筒與濾心。
- ◆ 在重新安裝濾心與集塵筒前，請確保其已晾乾。

更換濾芯

濾芯應在出現磨損或損壞時予以更換。

您的 BLACK+DECKER 代理商為您提供濾心更換服務。

維護

本 BLACK+DECKER 插電 / 充電器具 / 工具採用卓越的設計，能夠長時間使用，並且只需最少的維護。若要持續獲得滿意的操作效果，需進行正確的工具維護與定期的清潔。

警告！ 在插電 / 充電電動工具上執行任何維護工作之前：

- ◆ 關閉電源並拔下器具 / 工具的插頭。
- ◆ 電動工具之修理，僅可由認證的技術人員執行。請勿交由非百得認證服務中心的技術人員進行修理、維護、調整。若產品經由非百得認證的維修工程師拆解、組裝、調整，恕無法適用百得一年家用保修條款。為充分發揮其功能，修理、維護、調整

請務必使用原廠零件。百得認證服務中心擁有保修條款解釋權。

- ◆ 或者，若器具 / 工具使用獨立電池組，請關閉電源並將電池從器具 / 工具中卸下。
- ◆ 又或者，若電池是內建電池，請將電池完全放電，然後再關閉電源。
- ◆ 清潔之前請拔下充電器的插頭。本充電器除了定期清潔之外，不需要執行任何維護操作。
- ◆ 定期使用軟刷或乾布清潔器具 / 工具 / 充電器內的通風槽。
- ◆ 請定期使用濕布清潔電動機外殼。請勿使用任何研磨性或基於溶劑的清潔劑。

保護環境



分類回收。帶有此標誌的產品和電池必須與一般家庭廢物分開處置。

產品和電池包含可重複使用或回收的材料，可降低對原材料的需求。

請根據當地法規回收電氣產品和電池。更多資訊，請造訪 www.2helpU.com

技術資料

WD7201B/WD7201G/WD7201O	
電壓 (V _{dc})	7.2
電池	鋰離子電池
重量 (Kg)	0.65
吸力(AW)	15.5
充電器	
輸入電壓 (V _{ac})	110
輸出電壓 (V)	15
電流 (mA)	150
大約充電時間 (h)	10

服務資訊

Black & Decker 提供遍佈亞洲的公司隸屬及授權服務地點。所有的 Black & Decker 服務中心都具有訓練有素的人員，為客戶提供高效、可靠的產品服務。

不論您需要的是技術建議、維修服務還是原廠正品替換部件，都可以聯絡距您最近的 Black & Decker 服務地點。

附註

- ◆ Black & Decker 秉持不斷改善產品的原則，因此，

- 我們保留隨時變更產品規格而不預先通知的權利。
- ◆ 標準設備及配件可能視國家 / 地區而有所不同。
 - ◆ 產品規格可能視國家 / 地區而有所不同。
 - ◆ 並非在所有的國家 / 地區都將提供完整的產品系列。
如需各產品系列的供應情況，請聯絡您當地的 Black & Decker 代理商。

進口/委製廠商: 新加坡商百得電動工具(股)公司
台灣分公司

地址: 台北市士林區德行西路33號2樓

電話: 02-2834-1741

용도

BLACK + DECKER Dustbuster® 휴대용 진공 청소기는 가벼운 건식 진공 청소용으로 설계되었습니다. 본 제품은 가정용입니다.

안전 지침



경고! 안전 경고와 지시 사항을 모두 읽으십시오. 아래 나열된 경고와 지시 사항을 준수하지 않으면 감전 및 화재 또는 심각한 부상을 초래할 수 있습니다.



경고! 배터리로 구동되는 제품을 사용할 때는 화재, 배터리 누액, 신체 부상 및 중대한 손상의 위험을 줄이기 위해 항상 다음과 같은 기본적인 안전 주의 사항에 따라 사용해야 합니다.

- 제품을 사용하기 전에 본 사용 설명서 전체 내용을 잘 읽고 숙지하십시오.
- 본 사용 설명서에 제품의 용도가 설명되어 있습니다. 본 사용 설명서에서 권장하는 방식 이외의 다른 방식으로 본 제품을 조작하거나 액세서리 또는 부착물을 사용하는 경우 신체 부상의 위험이 있을 수 있습니다.
- 향후 참고할 수 있도록 본 사용 설명서를 잘 보관해 두십시오.

제품 사용

- 본 제품으로 화재를 일으킬 수 있는 액체나 물질을 빨아들이지 마십시오.
- 본 제품을 물 근처에서 사용하지 마십시오.
- 본 제품을 물에 담그지 마십시오.
- 충전기를 소켓에서 분리할 때 절대로 충전기 리드 선을 잡아당기지 마십시오. 충전기 리드 선이 열, 오일 및 날카로운 가장자리에 닿지 않도록 하십시오.
- 안전 책임자의 감독 또는 제품 사용과 관련된 지시 사항이 제공되고 관련된 위험 사항을 이해한 경우에만 8세 이상의 어린이 및 신체, 지각 또는 정신 능력이 낮거나 경험 및 지식이 부족한 사람이 본 제품을 사용할 수 있습니다. 어린이가 제품을 가지고 놀 때 해서는 안 됩니다. 청소 및 사용자 유지 보수를 할 때 감독 없이 어린이 혼자 해서는 안 됩니다.

검사 및 수리

- 사용 전, 제품에 손상되거나 결함 있는 부품이 있는지 점검하십시오. 부품 파손, 스위치 손상 등 정상적 사용에 영향을 미칠 수 있는 제품 이상이 있는지 점검하십시오.
- 손상되거나 결함 있는 부품이 있는 경우에는 제품을 사용하지 마십시오.
- 손상되거나 결함 있는 부품은 공인 수리 대리점에 의뢰하여 교체 또는 수리하십시오.

- 충전기 리드 선의 손상 여부를 주기적으로 점검하십시오. 리드 선이 손상되거나 결함이 발견되면 충전기를 교체하십시오.
- 본 사용 설명서에 명시된 내용 이외에는 어떤 부품도 제거하거나 교체하지 마십시오.

추가 안전 지침

기타 발생 가능한 위험

청소기를 사용할 때 동봉된 안전 경고에 포함되어 있지 않은 기타 발생 가능한 위험들이 발생할 수 있습니다. 이러한 위험은 오용, 장시간 사용 등으로 인해 발생할 수 있습니다.

관련된 안전 규정을 준수하고 안전 장치를 사용한다고 해도 어떤 위험들은 피하지 못할 수도 있습니다. 이러한 위험으로는 다음과 같은 것들이 있습니다:

- 작동 부품을 만져 발생하는 부상.
- 뜨거운 부품을 만져 발생하는 부상.
- 부품 또는 액세서리 변경으로 인한 부상.
- 장시간에 걸친 제품 사용으로 인한 부상. 어떤 제품 이든 장시간에 걸쳐 사용할 때는 반드시 정기적인 휴식을 취하십시오.

배터리 및 충전기

배터리

- 어떤 이유든 배터리 팩을 절대 열려고 하지 마십시오.
 - 배터리에 물이 닿지 않도록 하십시오.
 - 배터리가 열에 노출되지 않도록 하십시오.
 - 온도가 40°C를 초과할 수 있는 곳에 보관하지 마십시오.
 - 주변 온도가 10°C - 40°C 사이에 있을 때에만 충전하십시오.
 - 충전할 때는 이 청소기와 함께 제공된 충전기만 사용해야 합니다. 잘못된 충전기를 사용하면 감전을 초래하거나 배터리가 과열될 수 있습니다.
 - 배터리를 폐기할 때는 “환경 보호” 섹션에 나와 있는 지시 사항을 따르십시오.
 - 부상을 당하거나 화재의 위험이 있을 수 있으므로 구멍이나 충격 등으로 배터리 팩을 손상/변형시키지 마십시오.
 - 손상된 배터리를 충전하지 마십시오.
 - 극한 상황에서, 배터리 누출이 발생할 수 있습니다. 배터리에 액체가 보일 경우 형검을 사용하여 주의 깊게 닦아내십시오. 피부에 닿지 않도록 하십시오.
 - 피부나 눈에 닿은 경우, 아래의 지침을 따르십시오.
- 경고!** 배터리로 인해 신체 부상의 위험이 있거나 재산상의 손해가 발생할 수 있습니다. 피부에 닿으면, 즉시 물로 씻어내십시오. 적열 상태, 통증 또는 염증이 발생할 경우, 치료를 받으십시오. 눈에 들어간 경우, 즉시 깨끗한 물로 씻어내고 치료를 받으십시오.

충전기

본 충전기는 특정 전압에서 작동하도록 설계되었습니다. 전원 전압이 명판에 기재된 전압 및 기술 데이터 표의 정보와 일치하는지 항상 확인하십시오.

경고! 충전기를 절대로 일반 전원 플러그로 교체하지 마십시오.

- 제품/공구와 함께 제공된 배터리를 충전할 때는 BLACK+DECKER 충전기만 사용하십시오. 다른 배터리를 사용하면 배터리가 폭발하여 신체 부상을 당하거나 손해를 입을 수 있습니다.
- 절대로 비충전식 배터리를 충전하려고 하지 마십시오.
- 전원 코드가 손상된 경우 사고가 발생하지 않도록 제조업체 또는 공인 BLACK+DECKER 서비스 센터에서 교체해야 합니다.
- 충전기에 물이 닿지 않도록 하십시오.
- 충전기를 해체하거나 열지 마십시오.
- 충전기를 시험하지 마십시오.
- 제품과 배터리는 충전 시 환기가 잘되는 장소에 두어야 합니다.

전기 안전

본 충전기는 특정 전압에서 작동하도록 설계되었습니다. 전원 전압이 명판에 기재된 전압과 일치하는지 항상 확인하십시오. 충전기를 절대로 일반 전원 플러그로 교체하지 마십시오.

충전기에 붙은 기호



제품을 사용하기 전에 본 사용 설명서 전체 내용을 잘 읽고 숙지하십시오.



이 청소기는 이중으로 절연되어 있으므로 접지선이 필요 없습니다. 전원이 전동기 라벨에 기재된 전압과 일치하는지 항상 확인하십시오.



충전 거치대는 실내용으로만 사용합니다.

제품에 부착된 레이벨

다음 기호는 날짜 코드와 함께 본 제품에 나옵니다:



충전기 SSC-150015KAB 와만 함께 사용할 것



제품을 사용하기 전에 본 사용 설명서 전체 내용을 잘 읽고 숙지하십시오.

기능

본 청소기에는 다음 기능들 중 일부 또는 전부가 포함되어 있습니다.

1. On/Off 스위치(계속 누름)
2. 먼지통 탈착 버튼

3. 먼지통
4. 충전기
5. 충전 거치대

그림 A

6. 건승 폼 인서트
7. 건승 디플렉터

그림 B

8. 고무 롤러
9. 브러시 노즐
10. 틈새 노즐

설치

벽 장착 (그림 C)

제품은 벽에 고정시켜 청소기를 편리하게 보관하고 충전점을 제공할 수 있습니다.

- 벽면에 고정하는 경우 벽의 재질에 맞는 고정 방법을 이용하고 제품 무게를 견딜 수 있는지 확인하십시오.
- 나사 구멍의 위치를 표시합니다(벽 브라켓에 있을 때는 진공 청소기 충전을 위해 전기 콘센트 도달 범위 내에).
- 벽의 유형과 제품 무게에 적절한 나사와 플러그를 사용하여 벽에 장착 브라켓을 고정합니다.
- 진공 청소기 하단에 있는 구멍을 벽 장착 충전 브라켓의 고리에 걸어서 제품을 벽에 겁니다.

조립

액세서리 (그림 B)

이 모델은 다음과 같은 몇 가지 액세서리와 함께 제공될 수 있습니다:

- 딱딱한 표면에서 습식 사용을 위한 고무 롤러.
- 가구 및 계단을 청소할 때 사용하는 브러시 노즐.
- 비좁은 공간을 청소할 때 사용하는 틈새 노즐.

장착 (그림 D)

- 제품 전면에 해당 액세서리를 끼웁니다. 액세서리가 완전히 밀어졌는지 확인하십시오.

사용법

- 처음 사용하기 전에 배터리를 적어도 10시간 동안 충전해야 합니다.
- 제품을 사용하지 않을 때에는 항상 충전 거치대에 놓으십시오.

경고! 제품 손상을 방지하려면 충전하기 전에 모든 액체 내용물을 비우고 완전히 건조시키십시오.

배터리 충전(그림 C)

- 제품 스위치가 꺼져 있는지 반드시 확인합니다. On/Off 스위치(1)를 누른 상태에서는 배터리가 충전되지 않습니다.
- 제품을 충전 거치대(5) 위에 올려 놓습니다.
- 충전기 플러그를 꽂습니다. 전원 스위치를 켭니다.
- 제품을 그대로 두어 적어도 10시간 동안 충전합니다.

충전 중에 충전기가 뜨거워질 수도 있습니다. 이는 정상적 현상이며 고장이 아닙니다. 제품을 충전기에 계속 꽂아두어도 무방합니다.

경고! 주변 온도가 10°C 미만이거나 40°C 이상일 때는 배터리를 충전하지 마십시오.

전원 켜기 및 끄기(그림 E)

- 제품 스위치를 켜려면, on/off 스위치(1)를 누릅니다.
- 제품 스위치를 끄려면, on/off 스위치(1)를 놓습니다.

건습 픽업

- 일상적으로 흘리는 건습 물질의 경우 고무 롤러 액세서리 없이 제품을 사용하십시오.

경고! 본 제품은 가볍게 흘린 액체 전용입니다.

- 이 제품은 또한 일상적으로 흘리는 액체를 치우는 데 사용할 수도 있습니다. 흡수력이 없는 단단한 표면에서는 고무 롤러 액세서리를 사용하십시오. 카펫 등 흡수력이 있는 표면에서는 액세서리 없이 젖은 유출물을 더 잘 치울 수 있습니다.
- 단단한 표면에서 최상의 젖은 물질 청소를 위해 먼지통 노즐 구멍에 고무 롤러를 끼웁니다.
- 이 액세서리를 사용할 때 최상의 결과를 위해 제품을 45도 각도로 잡고 천천히 사용자 쪽으로 당기십시오.
- 흡입구 환송 장치 끝을 넘게 먼지통을 채우지 마십시오. 먼지통에 액체가 남아 있을 경우, 장치를 거꾸로, 옆으로 돌리거나, 노즐이 위쪽을 향하게 하거나 진공 청소기를 과도하게 흔들지 마십시오.
- 액체 물질을 치운 후에는 제품과 필터를 즉시 청소하십시오. 젖은 액체를 청소한 후 제품을 제대로 청소하지 않을 경우 곰팡이가 필 수 있습니다.
- 제품 손상을 방지하려면 충전하기 전에 모든 액체 내용물을 비우고 완전히 건조시키십시오.

흡입력 최적화

흡입력을 최적 상태로 유지하려면 사용 중에 필터를 정기적으로 청소해야 합니다.

제품 비우기 및 청소.

먼지통 및 필터 분리(그림 F)

경고! 필터는 재사용이 가능하며 주기적으로 청소해야 합니다.

- 먼지통 탈착 버튼(2)을 누르고 먼지통(3)을 똑바로 당깁니다.
- 먼지통을 쓰레기통 또는 싱크대 위로 잡고 있는 상태에서, 필터를 빼서 먼지통의 내용물을 비웁니다.
- 먼지통을 교체하려면, 제자리에서 “딸깍”하는 소리를 낼 때까지 제자리에 다시 놓습니다.

경고! 절대로 필터 없이 제품을 사용하지 마십시오. 깨끗한 필터가 장착되어 있어야 먼지 청소가 최적으로 수행됩니다.

폼 인서트(그림 G)

- 건습 디플렉터(7)의 중앙에 폼 인서트(6)를 놓으십시오.

경고! 워터 디플렉터와 폼 인서트를 장착하지 않은 상태에서 젖은 물질을 청소하는 데 본 제품을 사용하지 마십시오.

먼지통 및 필터 청소

- 먼지통과 필터는 따뜻한 비눗물로 씻을 수 있습니다.
- 다시 장착하기 전에 필터와 먼지통이 건조되었는지 확인하십시오.

필터 교체

필터는 매 6~9개월에 한 번 또는 닳거나 손상될 때마다 교체해야 합니다.

교체 필터는 BLACK+DECKER 판매점에서 구입할 수 있습니다.

유지 보수

BLACK+DECKER 청소기는 최소한의 유지 보수로 장기간에 걸쳐 작업이 가능하도록 설계되어 있습니다. 만족스러운 연속 작동은 적절한 청소기 관리와 정기적인 청소소에 따라 그 성능이 달라질 수 있습니다.

경고! 청소기에 유지보수를 수행하기 전에:

- 제품의 전원 플러그를 뽑으십시오.
- 또는 제품에 별도의 배터리 팩이 있을 경우 전원을 끄고 제품에서 배터리를 분리합니다.
- 또는 내장되어 있는 경우 배터리를 완전히 멈춘 다음 전원을 끄십시오.
- 충전기를 청소하기 전에 충전기의 플러그를 뽑으십시오. 충전기는 정기적인 청소 이외에 유지 보수가 필요하지 않습니다.
- 부드러운 브러시와 마른 헝겊으로 기기/충전기의 환기 슬롯을 주기적으로 청소하십시오.
- 젖은 헝겊으로 모터 하우징을 주기적으로 청소하십시오. 연마제 및 유성 클리너를 사용하지 마십시오.

환경 보호



분리 수거. 이 기호가 표시된 제품과 배터리를 일반 가정용 쓰레기와 함께 처리하면 안 됩니다.

제품과 배터리에는 재용되거나 재활용되고 고철 자원에 대한 수요를 줄일 수 있는 자재가 포함되어 있습니다.

전기 제품과 배터리는 지역 규정에 따라 재활용하십시오. 자세한 내용은 www.2helpU.com에서 확인할 수 있습니다.

기술 데이터

WD7201B/WD7201G/WD7201O	
전압 (V _{ac})	7.2
배터리	리튬 이온
무게 (Kg) 0.65	0.65
충전기	
입력 전압 (V _{ac})	220 - 240
출력 전압 (V)	15
전류 (mA)	150
예상 충전 시간 (h)	10

서비스 정보

블랙앤드데커 청소기는 가까운 동부 대우전자 서비스 센터(1577-0933)에서 받으실 수 있습니다. 모든 Black & Decker 서비스 센터에는 교육을 이수한 전문 인원이 배치되어 있어 고객에게 효과적이고 믿을 수 있는 제품 서비스를 제공하고 있습니다.

기술 지원, 수리 또는 순정 교체 부품이 필요한 모든 경우에 가까운 Black & Decker로 연락하십시오.

참고

- Black & Decker는 제품을 지속적으로 개선하는 정책을 취하고 있기 때문에 사전 통지 없이 제품 사양이 변경될 수 있습니다.
 - 기본 장비 및 액세서리 구성은 국가에 따라 다를 수 있습니다.
 - 제품 사양은 국가에 따라 다를 수 있습니다.
 - 국가에 따라 판매하지 않는 제품도 있을 수 있습니다.
- 제품 판매 여부는 해당 지역에 있는 Black & Decker 판매점으로 문의하십시오.

Tujuan penggunaan

Pengisap debu genggam BLACK + DECKER Dust-buster® Anda dirancang sebagai pengisap debu ringan untuk kondisi kering dan basah.

Peralatan ini hanya ditujukan untuk penggunaan di rumah.

Petunjuk keselamatan



Peringatan! Baca seluruh peringatan keselamatan dan seluruh petunjuk.

Kegagalan mengikuti peringatan dan petunjuk yang tercantum di bawah ini dapat mengakibatkan sengatan listrik, kebakaran, dan/atau cedera berat.



Peringatan! Bila menggunakan peralatan bertenaga baterai, tindakan pencegahan dasar untuk keselamatan, termasuk yang berikut, harus selalu diikuti untuk mengurangi risiko kebakaran, kebocoran baterai, cedera tubuh, dan kerusakan bahan.

- ♦ Bacalah seluruh isi panduan ini dengan saksama sebelum mengoperasikan peralatan.
- ♦ Tujuan penggunaan alat ini dijelaskan dalam buku petunjuk ini. Penggunaan aksesoris atau peralatan tambahan atau pengoperasian peralatan selain yang disarankan dalam panduan ini dapat menimbulkan risiko cedera diri.
- ♦ Simpan buku petunjuk ini sebagai referensi di masa mendatang.

Menggunakan peralatan Anda

- ♦ Jangan gunakan peralatan untuk membersihkan cairan atau bahan yang dapat terbakar.
- ♦ Jangan gunakan peralatan di dekat air.
- ♦ Jangan masukkan peralatan ke dalam air.
- ♦ Jangan tarik kepala pengisi daya untuk melepas sambungan pengisi daya dari soket. Jauhkan kepala pengisi daya dari panas, minyak, dan benda tajam.
- ♦ Peralatan ini dapat digunakan oleh anak-anak yang berusia 8 tahun ke atas dan orang-orang yang menderita kekurangan kemampuan fisik, sensorik, atau mental, atau kurang pengalaman dan pengetahuan apabila mereka diberikan pengawasan atau petunjuk dalam penggunaan peralatan ini dengan cara yang aman dan memahami adanya bahaya terkait. Anak-anak dilarang bermain-main dengan peralatan ini. Pembersihan dan perawatan pengguna tidak boleh dilakukan oleh anak-anak tanpa pengawasan.

Pemeriksaan dan perbaikan

- ♦ Sebelum digunakan, periksa apakah ada komponen peralatan yang rusak atau cacat. Periksa apakah ada bagian yang patah, kerusakan tombol, dan kondisi lain yang dapat mempengaruhi pengoperasiannya.
- ♦ Jangan gunakan peralatan ini jika ada komponen yang rusak atau cacat.
- ♦ Mintalah agen perbaikan resmi untuk memperbaiki atau mengganti bagian yang rusak maupun cacat.
- ♦ Periksa secara rutin kepala pengisi daya untuk mengetahui adanya kerusakan. Ganti pengisi daya jika kepala rusak atau cacat.
- ♦ Jangan coba melepas atau mengganti bagian apa pun selain yang ditentukan dalam panduan ini.

Petunjuk keselamatan tambahan

Risiko-risiko lain.

Risiko-risiko lain dapat timbul saat menggunakan alat, yang mungkin tidak tercantum dalam peringatan keselamatan yang disertakan. Risiko-risiko ini dapat diakibatkan oleh penyalahgunaan, penggunaan yang terlalu lama, dsb.

Sekalipun peraturan keselamatan terkait sudah diterapkan dan peralatan pengaman sudah digunakan, risiko-risiko lain tertentu tidak dapat dihindari. Ini meliputi:

- ♦ Cedera karena menyentuh komponen bergerak mana pun.
- ♦ Cedera akibat menyentuh komponen panas mana pun.
- ♦ Cedera yang terjadi saat mengganti komponen atau aksesoris.
- ♦ Cedera yang diakibatkan karena penggunaan peralatan untuk waktu lama. Jika menggunakan peralatan apa pun selama jangka waktu yang lama, pastikan Anda mengistirahatkannya secara berkala.

Baterai dan pengisi daya

Baterai

- ♦ Jangan pernah membuka baterai dengan maksud apa pun.
- ♦ Jangan paparkan baterai pada air.
- ♦ Jangan paparkan baterai pada panas.
- ♦ Jangan simpan di lokasi yang suhunya melebihi 40°C.

- ◆ Lakukan pengisian daya hanya pada suhu lingkungan antara 10°C hingga 40°C.
- ◆ Isi ulang daya hanya menggunakan pengisi daya yang disertakan bersama alat. Memakai pengisi daya yang tidak sesuai dapat mengakibatkan sengatan listrik atau baterai terlalu panas.
- ◆ Saat membuang baterai, ikuti petunjuk yang diberikan dalam bagian “Melindungi Lingkungan”.
- ◆ Jangan merusak/mengubah bentuk baterai baik dengan cara menusuk atau menekan, karena hal tersebut dapat menimbulkan risiko cedera dan kebakaran.
- ◆ Jangan mengisi daya baterai yang sudah rusak.
- ◆ Dalam kondisi ekstrem, kebocoran baterai dapat terjadi. Bila Anda mendapati cairan pada baterai, segera bersihkan cairan tersebut menggunakan kain lap. Hindari bersentuhan dengan kulit.
- ◆ Jika terjadi sentuhan dengan kulit atau mata, ikutilah petunjuk-petunjuk di bawah.

Peringatan! Cairan baterai dapat mengakibatkan cedera diri atau kerusakan pada benda-benda milik pribadi. Jika tersentuh kulit, segera bilas dengan air. Jika terjadi radang, nyeri, atau iritasi, carilah bantuan medis. Jika terkena mata, segera bilas dengan air dan cari bantuan medis.

Pengisi daya

Pengisi daya Anda dirancang untuk beroperasi pada voltase tertentu. Selalu periksa apakah voltase listrik sudah sesuai dengan tegangan yang tercantum pada pelat spesifikasi dan informasi yang ada pada tabel data teknis.

Peringatan! Jangan pernah mencoba untuk mengganti unit pengisi daya dengan steker listrik biasa.

- ◆ Hanya gunakan pengisi daya BLACK+DECKER Anda yang telah disertakan untuk mengisi daya baterai dalam alat/peralatan. Baterai lain dapat meledak, menyebabkan cedera diri dan kerusakan.
- ◆ Jangan pernah mengisi ulang daya baterai yang tidak dapat diisi ulang.
- ◆ Jika rusak, kabel daya harus diganti oleh produsen atau Pusat Layanan BLACK+DECKER resmi guna menghindari terjadinya bahaya.
- ◆ Jangan paparkan pengisi daya pada air.
- ◆ Jangan membuka pengisi daya.
- ◆ Jangan membongkar untuk memeriksa bagian dalam pengisi daya.
- ◆ Peralatan/alat/baterai harus diletakkan di tempat dengan sirkulasi udara yang baik saat melakukan pengisian daya.

Keselamatan kelistrikan

Pengisi daya Anda dirancang untuk beroperasi pada voltase tertentu. Selalu periksa apakah voltase listrik sudah sesuai dengan tegangan yang tercantum pada pelat spesifikasi. Jangan pernah mencoba untuk mengganti unit pengisi daya dengan steker listrik biasa.

Simbol pada pengisi daya



Bacalah seluruh isi panduan ini dengan saksama sebelum mengoperasikan peralatan.



Alat ini berisolasi ganda; sehingga kabel arde (ground) tidak diperlukan. Selalu periksa apakah catu daya sesuai dengan nilai tegangan yang tercantum pada papan nilai.



Dudukan pengisi daya ini hanya ditujukan untuk penggunaan di dalam ruangan.

Label pada peralatan

Simbol berikut beserta kode tanggal ditampilkan pada peralatan ini:



Bacalah seluruh isi panduan ini dengan saksama sebelum mengoperasikan peralatan.



Hanya gunakan dengan pengisi daya S003AQV1500015

Fitur-Fitur

Alat ini memiliki beberapa atau semua fitur berikut ini.

1. Sakelar On/off (tekan dan tahan)
2. Tombol pelepas wadah
3. Wadah debu
4. Pengisi daya
5. Siku pengisi daya

Gambar A

6. Masukan busa basah/kering
7. Deflektor basah/kering

Gbr. B

8. Alat pembersih dari karet
9. Sikat
10. Corong

Pemasangan

Pemasangan Di Tembok (gbr. C)

Produk dapat dipasang ke dinding untuk kemudahan penyimpanan serta sebagai titik pengisian daya untuk alat ini.

Saat memasangnya di dinding, pastikan bahwa metode pemasangannya sesuai dengan jenis dinding dan sesuai dengan berat peralatan.

- ♦ Tandai lokasi lubang sekrup (terjangkau oleh stopkontak untuk pengisian daya alat pembersih saat berada pada siku dinding).
- ♦ Pasang siku pemasangan ke dinding menggunakan sekrup dan colokan yang sesuai dengan jenis dinding dan berat peralatan.
- ♦ Gantungkan peralatan di dinding dengan menepatkan bukaanudukan alat pembersih di atas katil yang ada dalam siku pengisi daya pemasangan dinding.

Perakitan

Aksesori (gbr. B)

Model-model ini dapat dilengkapi dengan beberapa aksesori berikut:

- ♦ Alat pembersih dari karet (8) untuk digunakan pada permukaan keras yang basah.
- ♦ Sikat (9) untuk furnitur dan tangga.
- ♦ Pembersih celah (10) untuk tempat sempit.

Pemasangan (Gbr. D)

- ♦ Masukkan aksesori yang tepat ke dalam bagian depan peralatan. Pastikan aksesorinya dimasukkan secara penuh.

Penggunaan

- ♦ Sebelum penggunaan pertama, daya baterai harus diisi minimal selama 10 jam.
- ♦ Letakkan peralatan di atas siku pengisi daya bila sedang tidak digunakan.

Peringatan! Sebelum mengisi daya, pastikan Anda mengosongkan semua cairan dan keringkan secara menyeluruh, agar peralatan Anda tidak rusak.

Mengisi ulang baterai (Gbr. C)

- ♦ Pastikan peralatan dimatikan. Daya baterai tidak akan terisi bila sakelar on/off (1) ditekan.
- ♦ Letakkan peralatan di atas siku pengisi baterai (5).
- ♦ Colokkan pengisi daya ke sumber listrik. Hidupkan daya.
- ♦ Biarkan daya peralatan diisi minimal selama 10 jam.

Sewaktu mengisi daya, pengisi daya mungkin menjadi hangat. Ini normal dan tidak menunjukkan adanya masalah. Peralatan dapat dibiarkan terus tersambung ke pengisi daya.

Peringatan! Jangan isi daya baterai pada suhu sekitar di bawah 10°C atau di atas 40°C.

Menghidupkan dan mematikan (gbr. E)

- ♦ Untuk menghidupkan peralatan, tekan dan tahan sakelar on/off (1).
- ♦ Untuk mematikan alat, lepas sakelar on/off (1).

Pembersihan kotoran basah/kering

- ♦ Untuk tumpahan materi kering setiap hari, gunakan peralatan Anda tanpa menggunakan aksesori pembersih dari karet.

Peringatan! Produk Anda dirancang hanya untuk tumpahan ringan.

- ♦ Peralatan ini juga dapat digunakan untuk membersihkan tumpahan cair setiap hari. Gunakan aksesori pembersih dari karet pada permukaan keras dan tidak menyerap. Pada permukaan yang menyerap seperti karpet, peralatan akan membersihkan cairan secara lebih baik tanpa aksesori.
- ♦ Untuk kinerja terbaik pada pembersihan kotoran basah permukaan yang keras, masukkan alat pembersih dari karet ke dalam bukaan nosel wadah.
- ♦ Untuk hasil terbaik saat menggunakan aksesori ini, pegang peralatan ini dengan sudut 45° dan tarik perlahan ke arah Anda.
- ♦ Jangan isi wadah melebihi ujung saluran masuk. Jika terdapat cairan dalam wadah, jangan balikkan unit, jangan putar ke samping, jangan arahkan corong ke atas, atau jangan goyangkan alat pembersih secara berlebihan.
- ♦ Setelah membersihkan cairan, segera bersihkan peralatan dan penyaring. Lumut dan jamur dapat terbentuk jika unit tidak dibersihkan dengan benar setelah membersihkan kotoran yang basah.
- ♦ Sebelum mengisi daya, pastikan Anda mengosongkan semua cairan dan keringkan secara menyeluruh, agar peralatan Anda tidak rusak.

Mengoptimalkan daya hisap

Agar daya hisap peralatan ini terus dapat dioptimalkan, penyaring harus dibersihkan secara berkala setelah digunakan.

Mengosongkan dan membersihkan produk.

Melepas wadah dan penyaring debu (gbr. F).

Peringatan! Penyaring ini dapat digunakan kembali dan harus dibersihkan secara teratur.

- Tekan tombol pelepas (2), lalu lepas wadah debu (3).
- Saat memegang peralatan di atas wadah atau wastafel, tarik keluar penyaringnya untuk mengosongkan isi yang ada dalam wadah tersebut.
- Untuk mengganti wadah debu, masukkan wadah debu ini ke dalam pegangan sampai benar-benar “pas” pada posisinya.

Peringatan! Jangan pernah gunakan peralatan tanpa penyaring. Pengumpulan debu yang optimal hanya dapat dicapai jika menggunakan penyaring yang bersih.

Masukan busa (gbr. G)

- Letakkan masukan busa (6) ke bagian tengah deflektor basah/kering (7).

Peringatan! Jangan pernah gunakan peralatan ini untuk aplikasi basah tanpa dipasang deflektor air dan masukan busa.

Membersihkan wadah debu dan penyaring

- Wadah debu dan penyaring dapat dicuci dengan air sabun yang hangat.
- Pastikan filter dan wadah debu dalam keadaan kering sebelum dipasang ulang.

Mengganti penyaring

Penyaring harus diganti setiap 6 hingga 9 bulan dan ketika dalam kondisi aus atau rusak.

Penyaring pengganti tersedia di dealer BLACK+DECKER Anda.

Pemeliharaan

Alat/peralatan listrik berkabel/nirkabel BLACK+DECKER telah dirancang untuk penggunaan jangka panjang dengan perawatan minimal. Pengoperasian yang memuaskan secara terus-menerus bergantung pada cara pemeliharaan yang benar dan pembersihan alat secara teratur.

Peringatan! Sebelum melakukan pemeliharaan apa pun pada alat listrik berkabel/nirkabel:

- Matikan dan cabut peralatan/ alat.
- Atau, matikan dan lepaskan baterai dari peralatan/ alat jika peralatan/alat memiliki baterai terpisah.
- Atau, jika baterai terintegrasi, kosongkan baterai sama sekali, kemudian matikan.
- Lepas pengisi daya sebelum membersihkannya. Pengisi daya tidak membutuhkan perawatan lain di luar pembersihan berkala.
- Bersihkan celah-celah ventilasi peralatan/alat/

pengisi daya Anda secara berkala menggunakan sikat lembut atau kain kering.

- Bersihkan kerangka mesin secara teratur menggunakan kain bersih yang lembap. Jangan gunakan bahan pembersih abrasif atau pembersih berbahan dasar larutan apa pun.

Melindungi lingkungan



Pengumpulan terpisah. Produk dan baterai yang ditandai dengan simbol ini tidak boleh dibuang bersama dengan sampah rumah tangga biasa.

Produk dan baterai berisi bahan yang dapat digunakan kembali atau didaur ulang yang mengurangi permintaan kebutuhan bahan baku.

Harap mendaur ulang produk listrik dan baterai sesuai dengan ketentuan setempat. Informasi selengkapnya tersedia di www.2helpU.com

Data teknis

WD7201B/WD7201G/WD7201O	
Voltase (V_{dc})	7,2
Baterai	Li-Ion
Berat (Kg)	0,65
	Pengisi daya
V Input (V_{ac})	220 - 240
Voltase Output (V)	15
Arus (mA)	150
Kisaran waktu isi daya (h)	10

Informasi Servis

Black & Decker menawarkan jaringan lengkap milik perusahaan dan lokasi servis resmi di seluruh Asia. Semua Pusat Servis Black & Decker memiliki staf terlatih agar dapat memberikan layanan produk yang efisien dan andal kepada konsumen.

Bila Anda membutuhkan saran teknis, perbaikan, atau suku cadang pengganti asli pabrik, hubungi lokasi Black & Decker terdekat.

CATATAN

- ♦ Black & Decker memiliki kebijakan untuk terus meningkatkan produk dan karenanya, kami berhak mengubah spesifikasi produk tanpa pemberitahuan sebelumnya.
- ♦ Perlengkapan dan aksesori standar mungkin akan berbeda menurut negara.
- ♦ Spesifikasi produk mungkin akan berbeda menurut negara.
- ♦ Pilihan produk lengkap mungkin tidak tersedia di semua negara.
- ♦ Untuk mengetahui ketersediaan produk, hubungi dealer Black & Decker setempat Anda.

Mục đích sử dụng

Máy hút bụi cầm tay BLACK + DECKER Dustbuster® được thiết kế để hút bụi khô và ướt nhẹ.

Thiết bị này được thiết kế để sử dụng trong gia đình.

Hướng dẫn an toàn



Cảnh báo! Hãy đọc tất cả các cảnh báo và hướng dẫn về an toàn. Việc không tuân theo các cảnh báo và hướng dẫn được liệt kê dưới đây có thể gây giật điện, cháy nổ và/hoặc chấn thương nghiêm trọng.



Cảnh báo! Khi sử dụng các thiết bị chạy bằng pin, luôn phải tuân theo các biện pháp an toàn cơ bản dưới đây để giảm thiểu nguy cơ cháy, rò rỉ pin, chấn thương cá nhân và hư hỏng vật liệu.

- Đọc kỹ tài liệu hướng dẫn này trước khi sử dụng thiết bị.
- Mục đích sử dụng được mô tả trong tài liệu hướng dẫn này. Việc sử dụng bất kỳ phụ kiện hay thiết bị đi kèm hoặc thực hiện bất kỳ thao tác nào bằng thiết bị này ngoài các mục đích sử dụng khuyến nghị trong tài liệu hướng dẫn này có thể dẫn đến nguy cơ bị chấn thương cá nhân.
- Giữ lại tài liệu hướng dẫn này để tham khảo về sau.

Cách sử dụng thiết bị

- Không sử dụng thiết bị để hút các loại chất lỏng hoặc vật liệu có thể bắt lửa.
- Không sử dụng thiết bị gần nơi có nước.
- Không ngâm thiết bị trong nước.
- Tuyệt đối không kéo dây sạc khi muốn rút bộ sạc khỏi ổ cắm. Giữ dây sạc cách xa khỏi nguồn nhiệt, dầu và các cạnh sắc.
- Không cho trẻ em từ 8 tuổi trở lên và những người bị suy giảm khả năng thể chất, trí tuệ hoặc cảm giác hay người thiếu kinh nghiệm và kiến thức sử dụng thiết bị này, trừ khi có sự giám sát hoặc hướng dẫn của người chịu trách nhiệm về vấn đề an toàn của họ. Không để trẻ em nghịch thiết bị này. Không để trẻ em vệ sinh và bảo trì thiết bị mà không có sự giám sát.

Kiểm tra và sửa chữa

- Trước khi sử dụng, hãy kiểm tra thiết bị xem

có bộ phận nào bị hỏng hoặc lỏng không. Kiểm tra các bộ phận bị gãy, công tắc bị hỏng và các điều kiện khác nhau có thể ảnh hưởng đến vận hành của thiết bị.

- Không sử dụng thiết bị có bất kỳ bộ phận nào bị hỏng hoặc lỏng.
- Mang các bộ phận bị hỏng hoặc lỏng đến đại lý được ủy quyền để sửa chữa hoặc thay thế.
- Thường xuyên kiểm tra dây sạc xem có hỏng hóc không. Thay bộ sạc nếu dây bị hỏng hoặc lỏng.
- Tuyệt đối không tháo hoặc thay bất kỳ bộ phận nào ngoài những bộ phận được quy định trong tài liệu này.

Hướng dẫn an toàn bổ sung

Các nguy cơ khác.

Các nguy cơ khác có thể phát sinh khi sử dụng dụng cụ không nằm trong các cảnh báo an toàn đính kèm. Những nguy cơ này có thể phát sinh từ việc sử dụng sai mục đích, sử dụng trong thời gian dài, v.v.

Kể cả việc áp dụng các quy tắc an toàn liên quan và dùng các thiết bị an toàn cũng không thể tránh được một số nguy cơ khác. Những nguy cơ này gồm:

- Chấn thương do chạm vào bất kỳ bộ phận đang chuyển động nào.
- Chấn thương do chạm vào bất kỳ bộ phận nóng nào.
- Chấn thương do thay đổi các bộ phận hay phụ kiện.
- Chấn thương do sử dụng thiết bị trong khoảng thời gian dài. Khi sử dụng bất kỳ thiết bị nào trong khoảng thời gian dài, bạn phải đảm bảo nghỉ giải lao thường xuyên.

Pin và bộ sạc

Pin

- Không được cố mở pin dù bất cứ lý do nào.
- Không để pin tiếp xúc với nước.
- Không để pin tiếp xúc với nguồn nhiệt.
- Không bảo quản ở nơi có nhiệt độ có khả năng vượt quá 40°C.
- Chỉ sạc khi nhiệt độ xung quanh trong khoảng từ 10°C đến 40°C.
- Chỉ sử dụng bộ sạc pin được cung cấp cùng với thiết bị/dụng cụ. Sử dụng sạc pin không phù hợp có thể gây giật điện hoặc pin quá nóng.

- ◆ Khi vứt bỏ các loại pin, phải tuân theo các hướng dẫn nêu trong phần “Bảo vệ môi trường”.
- ◆ Không làm hỏng/làm méo pin bằng cách chọc hay tác động vào pin, vì điều này có thể dẫn đến nguy cơ cháy nổ và chấn thương.
- ◆ Không sạc pin đã hỏng.
- ◆ Trong các điều kiện khắc nghiệt, pin có thể bị rò rỉ. Khi bạn thấy có chất lỏng trên pin, hãy dùng khăn lau sạch chất lỏng đó. Tránh để tiếp xúc với da.
- ◆ Trong trường hợp chất lỏng dính vào da hoặc mắt, hãy làm theo các hướng dẫn sau

Cảnh báo! Chất lỏng trong pin có thể gây chấn thương cá nhân hoặc hư hỏng cho thiết bị. Trong trường hợp chất lỏng dính vào da, hãy lấy nước rửa ngay. Nếu da bị tấy đỏ, đau hoặc dị ứng, hãy tìm kiếm trợ giúp y tế. Trong trường hợp chất lỏng dính vào mắt, hãy lấy nước sạch rửa ngay và tìm kiếm trợ giúp y tế.

Bộ sạc

Bộ sạc này được thiết kế cho một mức điện áp cụ thể. Luôn kiểm tra xem điện áp nguồn có tương ứng với điện áp trên tấm ghi thông số định mức và thông số trong bảng thông số kỹ thuật hay không.

Cảnh báo! Tuyệt đối không cố thay thế bộ sạc bằng phích cắm thông thường.

- ◆ Chỉ sử dụng bộ sạc BLACK+DECKER để sạc pin đi kèm với thiết bị/dụng cụ. Các loại pin khác có thể gây cháy nổ và chấn thương cá nhân.
- ◆ Tuyệt đối không cố gắng sạc pin dùng một lần.
- ◆ Nếu dây điện bị hỏng, phải yêu cầu nhà sản xuất hoặc trung tâm bảo hành BLACK+DECKER thay thế để tránh gây nguy hiểm.
- ◆ Không để bộ sạc tiếp xúc với nước.
- ◆ Không mở bộ sạc ra.
- ◆ Không chọc que vào bộ sạc.
- ◆ Phải đặt thiết bị/dụng cụ/pin ở nơi thông thoáng khi sạc.

An toàn điện

Bộ sạc này được thiết kế cho một mức điện áp cụ thể. Luôn kiểm tra điện áp nguồn xem có bằng với điện áp trên tấm định mức hay không. Tuyệt đối không cố thay thế bộ sạc bằng phích cắm thông thường.

Ký hiệu trên bộ sạc



Đọc kỹ tài liệu hướng dẫn này trước khi sử dụng thiết bị.



Do dụng cụ này được cách điện kép nên không cần dây nối đất. Luôn kiểm tra

nguồn điện có tương ứng với điện áp trên biển thông số định mức hay không.



Để sạc chỉ được thiết kế để sử dụng trong nhà.

Ký hiệu trên thiết bị

Trên thiết bị có các ký hiệu sau cùng với mã ngày:



Đọc kỹ tài liệu hướng dẫn này trước khi sử dụng thiết bị.



Lưu ý : Chỉ sử dụng với bộ sạc S003AQV1500015

Tính năng

Dụng cụ này gồm một số hoặc tất cả những tính năng sau.

1. Công tắc bật/tắt (nhấn và giữ)
2. Núm tháo lắp phễu đựng bụi
3. Phễu đựng bụi
4. Bộ sạc
5. Giá đỡ sạc

Hình A

6. Lớp đệm bọt khô/ướt
7. Vòng chắn dầu khô/ướt

Hình B

8. Ống lăn
9. Chổi hút
10. Đầu hút dẹt

Lắp

Treo tường (hình C)

Có thể treo sản phẩm lên tường để thuận tiện trong việc bảo quản và sạc thiết bị.

Khi treo cố định lên tường, đảm bảo phương pháp treo phải phù hợp với loại tường và trọng lượng của thiết bị.

- ◆ Đánh dấu vị trí lỗ vít (trong phạm vi ổ cắm điện để sạc máy hút bụi khi đang ở trên giá đỡ treo tường).
- ◆ Cố định giá đỡ vào tường bằng vít và phích cắm phù hợp với loại tường và trọng lượng thiết bị.
- ◆ Treo thiết bị trên tường bằng cách đặt khe hở trên đế cửa máy hút bụi trên móc tại giá đỡ sạc treo tường.

Lắp ráp

Phụ kiện (hình B)

Các model này có thể được cung cấp cùng với một vài phụ kiện sau

- Ống lăn (8) để hút chất lỏng trên các bề mặt cứng.
- Chổi hút (9) dùng cho bàn ghế và cầu thang.
- Đầu hút dẹt (10) dùng cho các không gian hạn chế.

Lắp (Hình D)

- Lắp phụ kiện phù hợp vào mặt trước của thiết bị. Đảm bảo ấn phụ kiện vào trong hết cỡ.

Cách sử dụng

- Trước khi sử dụng lần đầu, phải sạc pin trong ít nhất 10 giờ.
- Đặt thiết bị trên giá đỡ sạc khi không sử dụng.

Cảnh báo! Trước khi sạc, đảm bảo đổ hết chất lỏng và để khô hoàn toàn để tránh làm hỏng thiết bị.

Sạc pin (Hình C)

- Đảm bảo rằng bạn đã tắt thiết bị. Không sạc pin khi đã ấn công tắc bật/tắt (1).
- Đặt thiết bị trên giá đỡ sạc (5).
- Cắm bộ sạc vào nguồn điện. Bật nguồn điện.
- Để thiết bị sạc trong ít nhất 10 giờ.

Trong khi sạc, bộ sạc có thể ấm lên. Điều này là bình thường và không gây ảnh hưởng gì. Có thể cắm thoải mái bộ sạc vào thiết bị mà không cần rút ra.

Cảnh báo! Không sạc pin khi nhiệt độ xung quanh dưới 10°C hoặc trên 40°C.

Bật và tắt (hình E)

- Để bật thiết bị, ấn và giữ nút bật/tắt (1).
- Để tắt thiết bị, nhấn nút bật/tắt (1).

Hút khô và ướt

- Để hút bụi khô hàng ngày, không sử dụng ống lăn.

Cảnh báo! Sản phẩm này được thiết kế để hút các vật liệu nhẹ.

- Cũng có thể sử dụng thiết bị này để hút chất lỏng rớt ra sàn hàng ngày. Sử dụng ống lăn trên các bề mặt cứng, không hút ẩm. Trên các bề mặt hút ẩm như thảm, thiết bị sẽ hút chất lỏng tốt hơn khi không dùng phụ kiện.
- Để hút chất lỏng đạt hiệu quả tốt nhất trên bề mặt cứng, hãy lắp ống lăn vào miệng vòi hút.
- Để có kết quả tốt nhất khi sử dụng phụ kiện này, hãy giữ thiết bị ở góc 45° và đẩy từ từ về phía bạn.

- Không để phễu đầy quá miệng máng nạp. Nếu có chất lỏng trong phễu, không lật ngược thiết bị xuống, sang hai bên, hướng vòi hút lên trên, hoặc lắc máy quá mạnh.
- Sau khi hút chất lỏng, hãy vệ sinh thiết bị và bộ lọc ngay lập tức. Nắm móc có thể sinh sôi nếu không vệ sinh đúng cách sau khi hút chất lỏng.
- Trước khi sạc, đảm bảo đổ hết chất lỏng và để khô hoàn toàn để tránh làm hỏng thiết bị.

Tối ưu lực hút

Để giữ lực hút ở mức tối ưu, phải thường xuyên vệ sinh bộ lọc trong quá trình sử dụng.

Đổ hết rác và vệ sinh thiết bị.

Tháo phễu đựng bụi và bộ lọc (hình F).

Cảnh báo! Tái sử dụng bộ lọc và vệ sinh thường xuyên.

- Ấn nút nhả phễu (2) và kéo phễu đựng bụi (3) thẳng ra.
- Trong khi giữ phễu đựng bụi trên thùng hoặc chậu, kéo bộ lọc ra ngoài để lấy hết rác bên trong phễu.
- Để thay phễu đựng bụi, đặt phễu vào tay cầm cho đến khi nó “chốt” chặt vào vị trí.

Cảnh báo! Tuyệt đối không sử dụng thiết bị nếu không có bộ lọc. Hiệu quả hút bụi tốt nhất khi bộ lọc sạch.

Lớp đệm bọt (hình G)

- Đặt lớp đệm bọt (6) vào giữa bộ phận chuyển hướng bụi ướt/khô (7).

Cảnh báo! Tuyệt đối không sử dụng thiết bị để hút chất lỏng nếu chưa lắp bộ phận chuyển hướng và lớp đệm bọt.

Vệ sinh phễu đựng bụi và bộ lọc

- Có thể vệ sinh phễu đựng bụi và bộ lọc bằng nước xà phòng ấm.
- Đảm bảo bộ lọc và phễu đựng bụi khô trước khi lắp lại.

Thay bộ lọc

Nên thay bộ lọc 6 đến 9 tháng một lần và bất kỳ khi nào bị mòn hoặc hỏng hóc.

Bộ lọc thay thế có bán tại đại lý BLACK+DECKER:

Bảo trì

Dụng cụ/thiết bị có dây/không dây của BLACK+DECKER được thiết kế để vận hành trong thời gian dài và ít phải bảo trì nhất. Dụng cụ vận hành liên tục theo ý muốn tùy thuộc vào việc bảo quản dụng cụ đúng cách và vệ sinh thường xuyên.

Cảnh báo! Trước khi bảo dưỡng các dụng cụ điện cầm tay có dây/không dây:

- ♦ Tắt và rút dây nguồn của dụng cụ/thiết bị.
- ♦ Hoặc tắt rồi tháo pin ra khỏi thiết bị/dụng cụ nếu thiết bị/dụng cụ có pin rời.
- ♦ Hoặc chạy hết sạch pin nếu là loại pin tích hợp sẵn, sau đó tắt máy.
- ♦ Rút phích cắm bộ sạc ra trước khi vệ sinh. Bộ sạc không cần bảo dưỡng nhưng phải thường xuyên lau chùi.
- ♦ Thường xuyên lau chùi các khe thông gió trong thiết bị/dụng cụ/bộ sạc bằng chổi mềm hoặc khăn khô.
- ♦ Thường xuyên lau chùi vỏ động cơ bằng khăn ẩm. Không dùng chất tẩy rửa có chứa dung môi hay chất mài mòn.

Bảo vệ môi trường



Thu gom riêng. Không được vứt bỏ sản phẩm và pin có ký hiệu này cùng với rác thải sinh hoạt thông thường.

Sản phẩm và pin chứa vật liệu có thể thu hồi hoặc tái chế giúp giảm nhu cầu về vật liệu thô. Vui lòng tái chế sản phẩm điện và pin theo quy định của địa phương. Thông tin thêm có sẵn tại www.2helpU.com

Thông số kỹ thuật

WD7201B/WD7201G/WD7201O	
Điện áp (V _{ac})	7,2
Pin	Li-Ion
Trọng lượng (Kg)	0,65
Bộ sạc	
Điện áp đầu vào (V _{ac})	220 - 240
Điện áp đầu ra (V)	15
Dòng điện (mA)	150
Thời gian sạc xấp xỉ (h)	10

Thông tin dịch vụ

Black & Decker có sẵn một mạng lưới các trung tâm trực thuộc và ủy quyền trên toàn Châu Á. Tất cả các trung tâm dịch vụ của Black & Decker đều có đội ngũ nhân viên lành nghề nhằm cung cấp

cho khách hàng dịch vụ về sản phẩm hiệu quả và tin cậy.

Khi bạn cần tư vấn kỹ thuật, sửa chữa hoặc phụ tùng thay thế chính hãng, vui lòng liên hệ với cơ sở Black & Decker gần nhất.

LƯU Ý

Chính sách của Black & Decker là không ngừng cải tiến sản phẩm và do đó, chúng tôi có quyền thay đổi thông số kỹ thuật sản phẩm mà không cần báo trước.

Các thiết bị và phụ kiện chuẩn có thể khác nhau tùy theo từng quốc gia.

Thông số kỹ thuật của sản phẩm có thể khác nhau tùy theo từng quốc gia.

Danh mục sản phẩm hoàn chỉnh có thể không có tại tất cả các quốc gia.

Liên hệ với các đại lý của Black & Decker tại quốc gia bạn để được cung cấp danh mục sản phẩm.

วัตถุประสงค์ในการใช้งาน

เครื่องดูดฝุ่นมือถือ Dustbuster® ของ BLACK + DECKER ออกแบบมาสำหรับการดูดทำความสะอาดสิ่งที่แห้งและเปียกที่มีน้ำหนักเบา

เครื่องมือนี้มีวัตถุประสงค์เพื่อการใช้งานภายในบ้านเท่านั้น

ข้อปฏิบัติเพื่อความปลอดภัย



คำเตือน! โปรดอ่านคำเตือนและข้อปฏิบัติเพื่อความปลอดภัยทั้งหมด

การไม่ปฏิบัติตามคำเตือนและข้อปฏิบัติเหล่านี้ อาจทำให้ถูกไฟฟ้าช็อต เกิดเพลิงไหม้ และ/หรือบาดเจ็บสาหัสได้



คำเตือน! เมื่อใช้เครื่องมือไฟฟ้าที่ใช้ไฟจากแบตเตอรี่ ต้องปฏิบัติตามข้อควรระวังเพื่อความปลอดภัยพื้นฐาน รวมทั้งข้อควรระวังต่อไป นี้ เพื่อลดความเสี่ยงต่อการเกิดไฟไหม้ แบตเตอรี่รั่ว ได้รับบาดเจ็บ และวัสดุเสียหาย

- อ่านคู่มือเล่มนี้ทั้งหมดอย่างละเอียดก่อนใช้งานเครื่องมือนี้
- วัตถุประสงค์ในการใช้งานได้แสดงไว้ในคู่มือนี้แล้ว การใช้อุปกรณ์เสริมหรืออุปกรณ์ยึดติด หรือการใช้งานใดๆ กับเครื่องมือนี้ นอกเหนือจากที่ได้แนะนำในคู่มือการใช้งานนี้ อาจเสี่ยงต่อการได้รับบาดเจ็บ
- เก็บรักษาเครื่องมือนี้เพื่อการอ้างอิงในอนาคต

การใช้เครื่องมือของคุณ

- ห้ามใช้เครื่องมือนี้ดูดของเหลวหรือวัสดุใดๆ ที่อาจก่อให้เกิดไฟไหม้
- ห้ามใช้เครื่องมือนี้ใกล้บริเวณที่มีน้ำ
- อย่าจุ่มเครื่องมือลงในน้ำ
- ห้ามดึงสายชาร์จเพื่อถอดเครื่องชาร์จออกจากเต้ารับ เก็บสายชาร์จให้พ้นจากความร้อน น้ำมัน และของมีคม
- เด็กที่มีอายุตั้งแต่ 8 ปีขึ้นไป และบุคคลที่มีความบกพร่องทางร่างกาย ทางการรับความรู้สึก หรือทางจิตประสาท หรือขาดประสบการณ์และความรู้สามารถ ใช้เครื่องมือนี้ได้ หากมีการควบคุมดูแลหรือให้คำแนะนำการใช้เครื่องมืออย่างปลอดภัยและเข้าใจถึงอันตรายที่อาจเกิดขึ้น ห้ามเด็กเล่นเครื่องมือ ไม่ควรให้เด็กทำความสะอาดและบำรุงรักษาเครื่องโดยไม่มีการควบคุมดูแล

การตรวจสอบและการซ่อมแซม

- ก่อนใช้งาน ให้ตรวจดูเครื่องมือว่ามีชิ้นส่วนที่ชำรุดเสียหายหรือบกพร่องหรือไม่ ตรวจสอบว่ามีการแตกหักของชิ้นส่วน ความเสียหายของตัวสวิตช์ และสภาพอื่นใดที่อาจส่งผลต่อการใช้งานหรือไม่
- ห้ามใช้เครื่องมือนี้หากมีชิ้นส่วนใดชำรุดเสียหายหรือบกพร่อง
- ให้ศูนย์ซ่อมที่ได้รับอนุญาตเป็นผู้ซ่อมแซมหรือเปลี่ยนชิ้นส่วนที่ชำรุดหรือบกพร่อง

- ตรวจสอบความเสียหายของสายชาร์จอยู่เสมอ เปลี่ยนเครื่องชาร์จหากสายเกิดชำรุดเสียหายหรือบกพร่อง
- อย่าพยายามถอดหรือเปลี่ยนชิ้นส่วนใดๆ นอกเหนือจากที่ระบุในคู่มือนี้

คำแนะนำเพื่อความปลอดภัยเพิ่มเติม

ความเสี่ยงอื่นๆ ที่ยังมีอยู่

ความเสี่ยงอื่นๆ ที่ไม่ได้ระบุในคำเตือนเพื่อความปลอดภัยนี้ อาจเกิดขึ้นได้เมื่อใช้เครื่องมือ ความเสี่ยงเหล่านี้อาจเกิดขึ้นจากการใช้อย่างไม่ถูกต้อง การใช้เป็นเวลานาน เป็นต้น

แม้ว่าจะปฏิบัติตามข้อกำหนดด้านความปลอดภัยที่เกี่ยวข้อง และใช้อุปกรณ์เสริมๆ แต่ความเสี่ยงอื่นๆ ที่ยังมีอยู่บางอย่างก็ไม่สามารถหลีกเลี่ยงได้ ความเสี่ยงเหล่านี้ได้แก่

- การบาดเจ็บจากการสัมผัสชิ้นส่วนที่กำลังเคลื่อนที่
- การบาดเจ็บจากการสัมผัสชิ้นส่วนที่ร้อน
- การบาดเจ็บที่เกิดขึ้นขณะเปลี่ยนชิ้นส่วนหรืออุปกรณ์เสริมใดๆ
- การบาดเจ็บที่เกิดจากการใช้เครื่องต่อเนื่องเป็นเวลานาน เมื่อใช้เครื่องเป็นระยะเวลานาน ต้องแน่ใจว่าคุณได้หยุดพักเป็นระยะ

แบตเตอรี่และเครื่องชาร์จ

แบตเตอรี่

- ห้ามพยายามแกะตัวแบตเตอรี่ในทุกกรณี
- อย่าให้แบตเตอรี่สัมผัสน้ำ
- อย่าให้แบตเตอรี่สัมผัสความร้อน
- ห้ามเก็บแบตเตอรี่ในสถานที่ที่อุณหภูมิอาจสูงเกิน 40°C
- ชาร์จแบตเตอรี่ที่อุณหภูมิห้องระหว่าง 10°C ถึง 40°C เท่านั้น
- ชาร์จแบตเตอรี่ด้วยเครื่องชาร์จที่ให้มาพร้อมเครื่อง/เครื่องมือเท่านั้น การใช้เครื่องชาร์จที่ไม่ถูกต้องอาจทำให้เกิดไฟช็อตหรือทำให้แบตเตอรี่ร้อนจัดได้
- เมื่อจะทิ้งแบตเตอรี่ ให้ทำตามคำแนะนำในหัวข้อ "การปกป้องสิ่งแวดล้อม"
- อย่าทำให้แบตเตอรี่ชำรุดหรือบิดเบี้ยวด้วยการเจาะหรือการทุบ มิฉะนั้นอาจทำให้เกิดความเสี่ยงจากการบาดเจ็บและเพลิงไหม้ได้
- ห้ามชาร์จแบตเตอรี่ที่ชำรุด
- ในสภาพที่หนักที่สุดอาจเกิดการรั่วของแบตเตอรี่ได้ เมื่อคุณสังเกตเห็นช่องของเหลวบนแบตเตอรี่ ให้ใช้ผ้าเช็ดของเหลวออกอย่างระมัดระวัง หลีกเลี่ยงการสัมผัสผิวหนัง
- ในกรณีสัมผัสผิวหนังหรือดวงตา ให้ปฏิบัติตามคำแนะนำด้านล่าง

คำเตือน! ของเหลวจากแบตเตอรี่อาจทำให้เกิดการบาดเจ็บหรือความเสียหายต่อทรัพย์สิน ในกรณีสัมผัสผิวหนัง ให้รีบล้างออกด้วยน้ำ ถ้าผิวหนังเป็นรอยแดง

แสบ หรือระคายเคือง ให้รีบพบแพทย์ ในกรณีที่สัมผัสถูกผิวหนัง ให้รีบล้างออกด้วยน้ำสะอาดและไปพบแพทย์

เครื่องชาร์จ

เครื่องชาร์จของคุณได้รับการออกแบบมาสำหรับแรงดันไฟฟ้าที่กำหนดไว้โดยเฉพาะ ต้องตรวจสอบแรงดันไฟเมนว่าตรงกับแรงดันไฟบนแผ่นแสดงพิกัดและข้อมูลในตารางข้อมูลทางด้านเทคนิคเสมอ

คำเตือน! ห้ามเปลี่ยนสายปลั๊กไฟของเครื่องชาร์จเป็นสายปลั๊กไฟธรรมดาโดยเด็ดขาด

- ใช้เครื่องชาร์จ BLACK+DECKER เพื่อชาร์จแบตเตอรี่ภายในเครื่อง/เครื่องมือที่ให้มาพร้อมกันเท่านั้น การชาร์จแบตเตอรี่ชนิดอื่นๆ อาจทำให้แบตเตอรี่ระเบิดและเกิดการบาดเจ็บและความเสียหายได้
- ห้ามชาร์จแบตเตอรี่ชนิดชาร์จซ้ำไม่ได้
- หากสายไฟของตัวเครื่องชำรุดเสียหาย ต้องได้รับการเปลี่ยนโดยผู้ผลิตหรือศูนย์บริการของ BLACK+DECKER ที่ได้รับอนุญาตเพื่อหลีกเลี่ยงอันตรายที่อาจเกิดขึ้น
- อย่าให้เครื่องชาร์จสัมผัสน้ำ
- ห้ามแกะเปิดเครื่องชาร์จ
- ห้ามใช้สิ่งใดหย�เข้าไปในตัวเครื่องชาร์จ
- ต้องวางเครื่องมือ/อุปกรณ์/แบตเตอรี่ไว้ในบริเวณที่มีการระบายอากาศเป็นอย่างดีในขณะที่ชาร์จ

ความปลอดภัยทางไฟฟ้า

เครื่องชาร์จของคุณได้รับการออกแบบมาสำหรับแรงดันไฟฟ้าที่กำหนดไว้โดยเฉพาะ ต้องตรวจสอบกำลังไฟเพื่อให้ตรงกับแรงดันไฟฟ้าบนแผ่นแสดงพิกัดเสมอ ห้ามเปลี่ยนสายปลั๊กไฟของเครื่องชาร์จเป็นสายปลั๊กไฟธรรมดาโดยเด็ดขาด

สัญลักษณ์ต่างๆ บนเครื่องชาร์จ



อ่านคู่มือเล่มนี้ทั้งหมดอย่างละเอียดก่อนใช้งานเครื่องมือนี้



เครื่องมือนี้มีฉนวนสองชั้น ดังนั้นจึงไม่จำเป็นต้องต่อสายดิน ต้องตรวจสอบกำลังไฟเพื่อให้ตรงกับแรงดันไฟฟ้าบนแผ่นแสดงพิกัดเสมอ



ฐานเครื่องชาร์จนี้มีวัตถุประสงค์เพื่อการใช้งานในที่ร่มเท่านั้น

ป้ายสัญลักษณ์บนเครื่องมือ

สัญลักษณ์ต่อไปนี้จะปรากฏบนเครื่องมือพร้อมทั้งรหัสรุ่นที่:



อ่านคู่มือเล่มนี้ทั้งหมดอย่างละเอียดก่อนใช้งานเครื่องมือนี้



โปรดใช้กับแท่นชาร์จรุ่น S003AQV1500015 เท่านั้น

ส่วนประกอบสำคัญ

เครื่องมือนี้มีส่วนประกอบสำคัญบางอย่างหรือทั้งหมดดังต่อไปนี้

1. สวิตช์เปิด/ปิด

2. ปุ่มปลดล๊อคดึงเก็บฝุ่น
3. หัวเก็บฝุ่น
4. เครื่องชาร์จ
5. ขายึดสำหรับชาร์จ

รูป A

6. โฟมดูดแห้ง/เปียก
7. ตัวล็อกกันแบบแห้ง/เปียก

รูป B

8. หัวกวาดน้ำ
9. หัวแปรง
10. หัวดูดตามซอก

การติดตั้ง

การติดตั้งบนผนัง (รูป C)

ผลิตภัณฑ์นี้สามารถยึดติดกับผนังเพื่อการจัดเก็บที่สะดวกและเป็นจุดชาร์จเครื่องมือ

เมื่อยึดกับผนังแล้ว ตรวจสอบให้แน่ใจว่าวิธีการยึดเข้ากับประเภทของผนังและเหมาะสมกับน้ำหนักของเครื่องหรือไม

- กำหนดตำแหน่งของรูสกรู (ให้อยู่ใกล้เต้าเสียบเพื่อชาร์จเครื่องดูดฝุ่นขณะที่แขวนบนผนัง)
- ยึดขายึดเข้ากับผนังโดยใช้สกรูและปลั๊กที่เหมาะสมสำหรับประเภทของผนังและน้ำหนักของเครื่อง
- แขวนเครื่องบนผนัง โดยวางช่องเปิดที่ฐานเครื่องดูดฝุ่นบนตะขอที่ขายึดสำหรับชาร์จบนผนัง

การประกอบ

อุปกรณ์เสริม (รูป B)

เครื่องดูดฝุ่นรุ่นเหล่านี้อาจมาพร้อมกับอุปกรณ์เสริมบางชิ้นต่อไปนี้

- หัวกวาดน้ำ (8) เพื่อใช้กับของเหลวบนพื้นที่แข็ง
- หัวแปรง (9) สำหรับเฟอร์นิเจอร์และบันได
- หัวดูดตามซอก (10) สำหรับพื้นที่จำกัด

การติดตั้ง (รูป D)

- ใส่อุปกรณ์เสริมที่เหมาะสมเข้ากับส่วนหน้าของเครื่อง ตรวจสอบให้แน่ใจว่าดันอุปกรณ์เสริมลงจนสุดแล้ว

การใช้งาน

- ก่อนใช้งานครั้งแรกต้องชาร์จแบตเตอรี่อย่างน้อย 10 ชั่วโมง
- แขวนเครื่องบนขายึดสำหรับชาร์จทุกครั้งที่ไม่ใช้งาน

คำเตือน! ก่อนชาร์จ ตรวจสอบให้แน่ใจว่าแห้งสนิทและไม่มีของเหลวหลงเหลืออยู่แล้ว เพื่อหลีกเลี่ยงความเสียหายที่จะเกิดกับเครื่อง

การชาร์จแบตเตอรี่ (รูป C)

- ตรวจสอบให้แน่ใจว่าเครื่องปิดสวิตช์ขั้ว แบตเตอรี่จะไม่ชาร์จในขณะที่มีการกดสวิตช์เปิด/ปิด (1)
- วางเครื่องบนขายึดสำหรับชาร์จ (5)

- เสียบปลั๊กเครื่องชาร์จ เปิดสวิตช์แหล่งจ่ายไฟหลัก
- ชาร์จอุปกรณ์อย่างน้อย 10 ชั่วโมง

เครื่องชาร์จอาจอุ่นขึ้นระหว่างการชาร์จ นี่เป็นสภาพปกติของเครื่องมือและไม่ได้แสดงว่าเครื่องเกิดปัญหาแต่อย่างใด การต่อเครื่องมือกับเครื่องชาร์จนั้นสามารถปล่อยให้เชื่อมต่อได้ไม่จำกัดเวลา

คำเตือน! ห้ามชาร์จแบตเตอรี่ในอุณหภูมิห้องที่ต่ำกว่า 10°C หรือสูงกว่า 40°C

การเปิดและปิดสวิตช์ (รูป E)

- หากต้องการเปิดเครื่อง ให้กดปุ่มเปิด/ปิด (1) ค้างไว้
- หากต้องการปิดเครื่อง ให้ปล่อยสวิตช์เปิด/ปิด (1)

เครื่องดูดฝุ่นแห้งและเปียก

- สำหรับการดูดเศษวัสดุแห้งเป็นประจำทุกวัน ให้ใช้เครื่องมือนี้โดยไม่ต้องติดหัวกวาดน้ำเสริม

คำเตือน! ผลัดภักซ์ที่ออกแบบมาสำหรับดูดเศษวัสดุที่เบาเท่านั้น

- อุปกรณ์นี้ใช้ดูดของเหลวที่หกกลับเป็นประจำทุกวันได้เช่นกัน ให้ใช้หัวกวาดน้ำเสริมบนพื้นผิวที่แข็งและไม่ดูดซึมน้ำ บนพื้นผิวที่ดูดซึมน้ำ เช่น พรม เครื่องจะดูดของเหลวได้ดีกว่าโดยไม่ต้องใช้อุปกรณ์เสริม
- เพื่อประสิทธิภาพที่ดีที่สุดในการดูดของเหลวบนพื้นแข็ง ให้ใส่หัวกวาดน้ำเข้ากับช่องเปิดของหัวเก็บฝุ่น
- เพื่อผลลัพธ์ที่ดีที่สุดในการใช้อุปกรณ์เสริมชนิดนี้ ให้ถืออุปกรณ์ทามม 45 องศาและดึงเข้าหาตัวคุณช้าๆ
- ห้ามต่อหัวเก็บฝุ่นเลยปลายของใส่ หากมีของเหลวอยู่ในหัวเก็บฝุ่น ห้ามคว้าเครื่อง เอียงไปทางด้านข้าง งดหัวเก็บฝุ่นขึ้น หรือเขย่าเครื่องดูดฝุ่นแรงเกินไป
- หลังจากดูดของเหลวเสร็จแล้ว ให้ทำความสะอาดเครื่องและแผ่นกรองทันที หากไม่ทำความสะอาดเครื่องอย่างถูกต้องหลังใช้ดูดของเหลวอาจเกิดเชื้อราขึ้นได้
- ก่อนชาร์จ ตรวจสอบให้แน่ใจว่าแหล่งสปีทและไม่มีของเหลวหลงเหลืออยู่แล้ว เพื่อหลีกเลี่ยงความเสียหายที่จะเกิดกับเครื่อง

การใช้แรงดูดอย่างมีประสิทธิภาพสูงสุด

เพื่อรักษาประสิทธิภาพของแรงดูด ต้องทำความสะอาดแผ่นกรองเป็นประจำระหว่างใช้งาน

สิ่งที่อยู่ข้างในและทำความสะอาดผลิตภัณฑ์

การถอดหัวเก็บฝุ่นและแผ่นกรอง (รูป F)

คำเตือน! แผ่นกรองสามารถนำมาใช้ใหม่ได้ และควรทำความสะอาดเป็นประจำ

- กดปุ่มปลดล็อคหัวเก็บฝุ่น (2) และดึงหัวเก็บฝุ่น (3) ออกมาตรงๆ
- ในขณะที่ถือหัวเก็บฝุ่นเหนือถังขยะหรืออ่างล้าง ให้ดึงแผ่นกรองออกเพื่อสิ่งที่อยู่ในหัวเก็บฝุ่นออก
- การเปลี่ยนหัวเก็บฝุ่น ให้ใส่หัวเก็บฝุ่นกลับไปที่มีอจจับจนล็อคเข้าตำแหน่งพอดี

คำเตือน! ห้ามใช้เครื่องมือโดยไม่มีแผ่นกรองเด็ดขาด การเก็บฝุ่นได้อย่างมีประสิทธิภาพสูงสุดจะทำให้ค้ด้วยแผ่นกรองที่สะอาด

โคมูด (รูป G)

- ใส่โคมูด (6) ลงที่กึ่งกลางของตัวป้องกันแบบแห้ง/เปียก (7)

คำเตือน! ห้ามใช้เครื่องมือนี้กับการทำงานที่เปียกโดยไม่ใส่ตัวป้องกันน้ำและโคมูด

การทำความสะอาดหัวเก็บฝุ่นและแผ่นกรอง

- สามารถล้างหัวเก็บฝุ่นและแผ่นกรองในน้ำสบู่จนได้
- ตรวจสอบให้แน่ใจว่าแผ่นกรองและหัวเก็บฝุ่นแห้งดีแล้วก่อนใส่กลับเข้าไปใหม่

การเปลี่ยนแผ่นกรอง

จะต้องเปลี่ยนแผ่นกรองทุก 6 ถึง 9 เดือน และทุกครั้งที่ถูกใช้จนเก่าหรือชำรุดเสียหาย

แผ่นกรองสำหรับเปลี่ยนสามารถหาซื้อได้จากตัวแทนจำหน่าย BLACK+DECKER

การบำรุงรักษา

เครื่องมือแบบมีสาย/ไร้สายของ BLACK+DECKER ได้รับการออกแบบมาเพื่อให้สามารถใช้งานได้อย่างยาวนานต่อเนื่อง โดยมีการบำรุงรักษาน้อยที่สุด การทำงานที่สร้างความพึงพอใจอย่างต่อเนื่องจะขึ้นอยู่กับการดูแลรักษาที่เหมาะสมและการทำความสะอาดอย่างสม่ำเสมอ

คำเตือน! ก่อนทำการบำรุงรักษาเครื่องมือไฟฟ้าแบบมีสาย/ไร้สาย จะต้อง:

- ปิดสวิตช์และถอดปลั๊กเครื่อง/เครื่องมือ
- หรือปิดสวิตช์และถอดแบตเตอรี่ออกจากเครื่อง/เครื่องมือ ถ้าเครื่องมือมีชุดแบตเตอรี่แยกต่างหาก
- หรือใช้แบตเตอรี่จนหมดถ้าแบตเตอรี่อยู่รวมกับเครื่องจากนั้นให้ปิดสวิตช์
- ถอดปลั๊กเครื่องชาร์จออกก่อนจะทำความสะอาดเครื่องชาร์จไม่ต้องการดูแลพิเศษอื่นใดนอกเหนือจากการทำความสะอาดเป็นประจำ
- ทำความสะอาดของระคายคายอากาศในเครื่อง/เครื่องมือและเครื่องชาร์จของคุณเป็นประจำโดยใช้แปรงขนอ่อนหรือผ้าแห้ง
- ทำความสะอาดตัวมอเตอร์เป็นประจำโดยใช้ผ้าชุบน้ำหมาดๆ ห้ามใช้น้ำยาทำความสะอาดที่มีฤทธิ์กัดกร่อนหรือมีส่วนผสมของตัวทำละลาย

การปกป้องสิ่งแวดล้อม



การเก็บรวบรวมแบบคัดแยก ห้ามทิ้งผลิตภัณฑ์และแบตเตอรี่ที่มีสัญลักษณ์นี้รวมกับขยะในครัวเรือนปกติ

ผลิตภัณฑ์และแบตเตอรี่ประกอบด้วยวัสดุที่สามารถนำกลับมาใช้ใหม่หรือรีไซเคิลได้ เพื่อลดความต้องการวัตถุดิบ

โปรดรีไซเคิลอุปกรณ์ไฟฟ้าและแบตเตอรี่ตามข้อบังคับใน
ท้องถิ่น ดูข้อมูลเพิ่มเติมได้ที่ www.2helpU.com

ข้อมูลทางเทคนิค

WD7201B/WD7201G/WD7201O	
แรงดันไฟฟ้า (V _{ac})	7.2
แบตเตอรี่	Li-Ion
น้ำหนัก (กก.)	0.65
เครื่องชาร์จ	
แรงดันไฟเข้า (V _{ac})	220 - 240
แรงดันไฟออก (โวลต์)	15
กระแสไฟฟ้า (มิลลิแอมป์)	150
ระยะเวลาชาร์จ โดยประมาณ (ชม.)	10

ข้อมูลการบริการ

Black & Decker ให้บริการเครือข่ายศูนย์บริการของบริษัท
เองและศูนย์ฯ ที่ได้รับการรับรองเต็มรูปแบบทั่วทั้งทวีป
เอเชีย ศูนย์บริการ Black & Decker ทุกแห่งมีพนักงาน
ที่ผ่านการฝึกอบรมเพื่อให้บริการผลิตภัณฑ์ได้อย่างมี
ประสิทธิภาพและเชื่อถือได้

ไม่ว่าคุณจะต้องการคำแนะนำด้านเทคนิค การซ่อมแซม
หรืออะไหล่จากโรงงาน โปรดติดต่อศูนย์ Black &
Decker ใกล้บ้าน

หมายเหตุ

- เนื่องจาก Black & Decker มีนโยบายพัฒนาปรับปรุง
ผลิตภัณฑ์อย่างต่อเนื่อง ดังนั้น เราจึงขอสงวนสิทธิ์ใน
การเปลี่ยนแปลงข้อมูลจำเพาะของผลิตภัณฑ์โดยไม่แจ้ง
ให้ทราบล่วงหน้า
- อุปกรณ์มาตรฐานและอุปกรณ์เสริมอาจแตกต่างกันใน
แต่ละประเทศ
- ข้อมูลจำเพาะของผลิตภัณฑ์อาจแตกต่างกันในแต่ละ
ประเทศ
- ตัวเลือกผลิตภัณฑ์อาจมีจำหน่ายไม่ครบทุกรุ่นในบาง
ประเทศ โปรดสอบถามรุ่นผลิตภัณฑ์ที่มีจำหน่ายจาก
ตัวแทนจำหน่ายของ Black & Decker ในประเทศของคุณ

