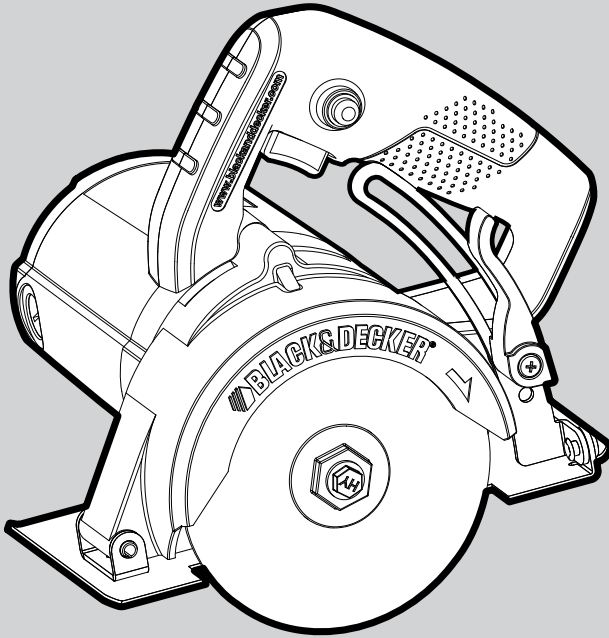




BLACK & DECKER®

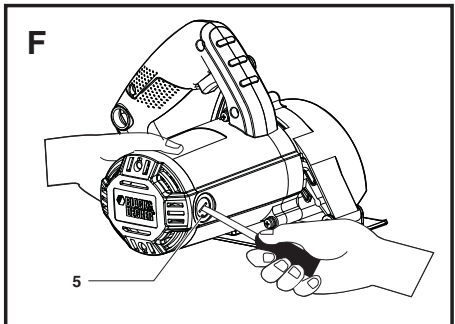
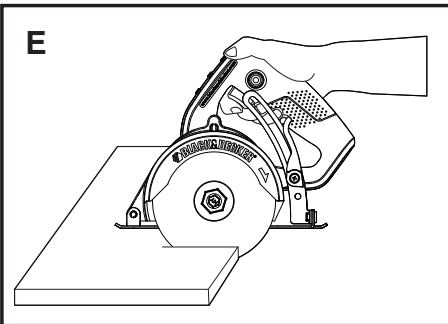
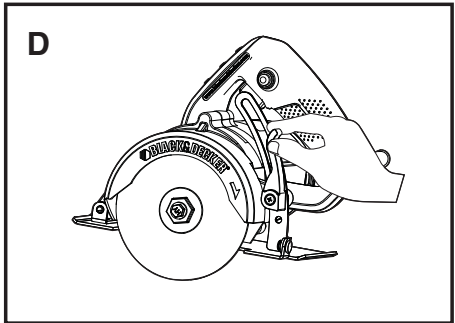
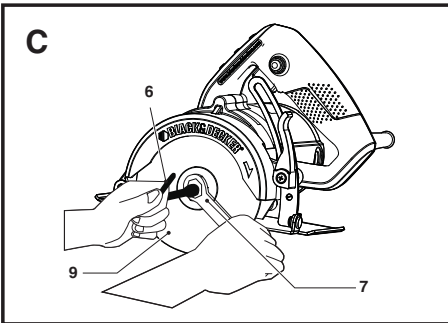
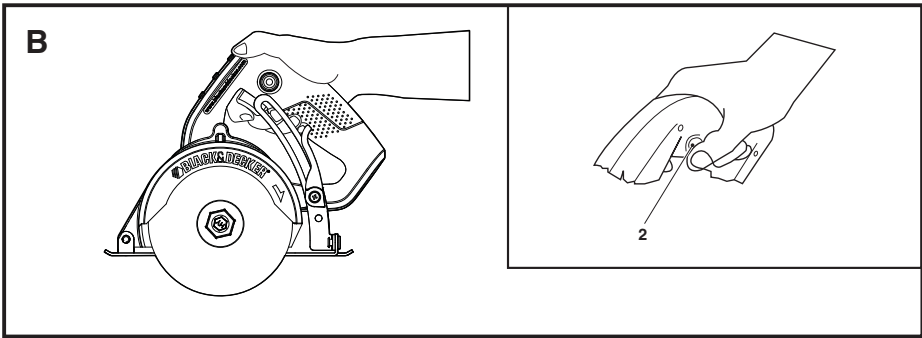
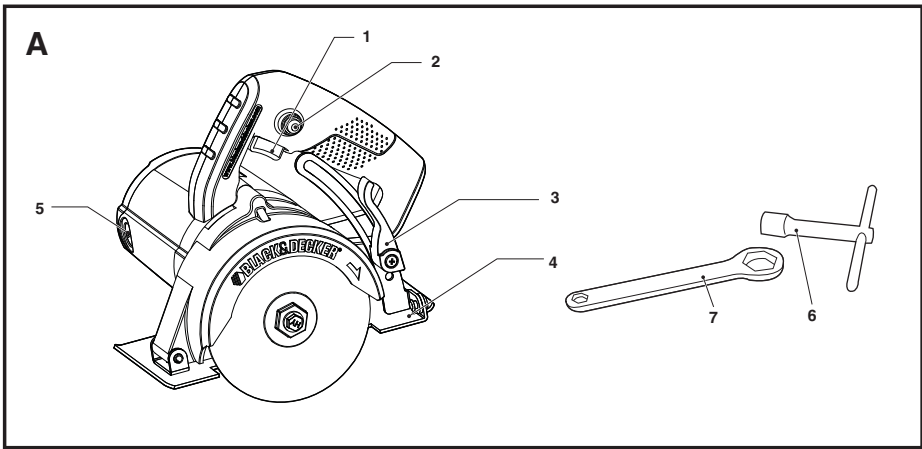
TRADESMAN SERIES



KTM110

English 3

Simplified Chinese 7



KTM110

110mm Tile/Marble Cutter

TECHNICAL DATA

SPECIFICATION	KTM110	
POWER	W	1,200
NO-LOAD SPEED	rpm	13,500
WHEEL DIAMETER	mm	110
MAX. DEPTH OF CUT	mm	34
WEIGHT	kg	2.69
CABLE LENGTH	m	2

INTENDED USE

Your Black & Decker tile cutter has been designed for cutting applications.

GENERAL SAFETY RULES

Warning! Read all instructions. Failure to follow all instructions listed below may result in electric shock, fire and/or serious injury. The term "power tool" in all of the warnings listed below refers to your mains operated (corded) power tool or battery operated (cordless) power tool.

SAVE THESE INSTRUCTIONS.

1. Work area

- Keep work area clean and well lit.** Cluttered and dark areas invite accidents.
- Do not operate power tools in explosive atmospheres, such as in the presence of flammable liquids, gases or dust.** Power tools create sparks which may ignite the dust or fumes.
- Keep children and bystanders away while operating a power tool.** Distractions can cause you to lose control.

2. Electrical safety

- Power tool plugs must match the outlet. Never modify the plug in any way. Do not use any adapter plugs with earthed (grounded) power tools.** Unmodified plugs and matching outlets will reduce risk of electric shock.
- Avoid body contact with earthed or grounded surfaces such as pipes, radiators, ranges and refrigerators.** There is an increased risk of electric shock if your body is earthed or grounded.
- Do not expose power tools to rain or wet conditions.** Water entering a power tool will increase the risk of electric shock.
- Do not abuse the cord. Never use the cord for carrying, pulling or unplugging the power tool. Keep cord away from heat, oil, sharp edges or moving parts.** Damaged or entangled cords increase the risk of electric shock.
- When operating a power tool outdoors, use an extension cord suitable for outdoor use.** Use of a cord suitable for outdoor use reduces the risk of

electric shock.

- If operating a power tool in a damp location is unavoidable, use a residual current device (RCD) protected supply.** Use of an RCD reduces the risk of electric shock.
- Personal safety**
 - Stay alert, watch what you are doing and use common sense when operating a power tool. Do not use a power tool while you are tired or under the influence of drugs, alcohol or medication.** A moment of inattention while operating power tools may result in serious personal injury.
 - Use safety equipment. Always wear eye protection.** Safety equipment such as dust mask, non-skid safety shoes, hard hat, or hearing protection used for appropriate conditions will reduce personal injuries.
 - Avoid accidental starting. Ensure the switch is in the off position before plugging in.** Carrying power tools with your finger on the switch or plugging in power tools that have the switch on invites accidents.
 - Remove any adjusting key or wrench before turning the power tool on.** A wrench or a key left attached to a rotating part of the power tool may result in personal injury.
 - Do not overreach. Keep proper footing and balance at all times.** This enables better control of the power tool in unexpected situations.
 - Dress properly. Do not wear loose clothing or jewellery. Keep your hair, clothing and gloves away from moving parts.** Loose clothes, jewellery or long hair can be caught in moving parts.
 - If devices are provided for the connection of dust extraction and collection facilities, ensure these are connected and properly used.** Use of these devices can reduce dust related hazards.
 - Power tool use and care**
 - Do not force the power tool. Use the correct power tool for your application.** The correct power tool will do the job better and safer at the rate for which it was designed.
 - Do not use the power tool if the switch does not turn it on and off.** Any power tool that cannot be controlled with the switch is dangerous and must be repaired.
 - Disconnect the plug from the power source and/or the battery pack from the power tool before making any adjustments, changing accessories, or storing power tools.** Such preventive safety measures reduce the risk of starting the power tool accidentally
 - Store idle power tools out of the reach of children and do not allow persons unfamiliar with the power tool or these instructions to**

- starting the power tool accidentally
- d. **Store idle power tools out of the reach of children and do not allow persons unfamiliar with the power tool or these instructions to operate the power tool.** Power tools are dangerous in the hands of untrained users.
 - e. **Maintain power tools. Check for misalignment or binding of moving parts, breakage of parts and any other condition that may affect the power tools operation. If damaged, have the power tool repaired before use.** Many accidents are caused by poorly maintained power tools.
 - f. **Use the power tool, accessories and tool bits etc., in accordance with these instructions, taking into account the working conditions and the work to be performed.** Use of the power tool for operations different from those intended could result in a hazardous situation.
5. **Service**
- a. **Have your power tool serviced by a qualified repair person using only identical replacement parts.** This will ensure that the safety of the power tool is maintained.

Additional Safety Instructions for Tile/Marble Cutters


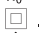

⚠ CAUTION: Hold tool by insulated gripping surfaces when performing an operation where the cutting tool may contact hidden wiring or its own cord. Contact with a "live" wire will make exposed metal parts of the tool "live" and shock the operator.

1. **Always keep your hands away from the cutting area and the diamond disk.** Always keep the other hand on the side handle. If you hold the tool with both hands, your hands will not be injured by the disk.
2. **Do not touch the underside of the work** because the guard cannot protect the part of the disk under the work.
3. **Always use a diamond disk with well-matched size and center (diamond or circular shape).** Mismatched disk and holder will result in eccentric operation out of control.
4. **Do not use any washer or bolt that is damaged or unfit in size;** otherwise you will lose control of operation.
5. **Do not use any grinding wheel.**
6. **Do not use any diamond disc that does not conform to the Manufacturer's stipulations.**
7. **Do not use any cutting disk that has been damaged, distorted or cracked.**
8. **Do not operate the tool without the fixed guard.**

9. **Do not start the tool with the disk touching the work.**
10. **When switching off the tool, do not put down the tool until the disc completely stops running, nor should any external force be exerted to stop the disk.**
11. **Disconnect the plug from the power source and ensure the diamond disk stand still when replacing the disc, adjusting the cutting depth or water pipe, or repairing the tool.**
12. **Only hold the tool by its insulated gripping surface when the diamond disk is possibly cutting through concealed wires or its own cord.** If the diamond disk touches a "live" wire, the tool's exposed metal parts may be energized and thus shock the operator.
13. **Be especially cautious when "blind cutting" through walls or other blind areas** because the diamond disk may cut gas or water piping, wires or resilient objects.

Symbols

The label on your tool may include the following symbols:

-  **Warning!** To reduce the risk of injury, the user must read the instruction manual.
- VVolts
- AAmperes
- HzHertz
- WWatts
- min.....minutes
- ~Alternating current
- —Direct current
- n_0 No load speed
- Class II Construction
- Safety alert symbol
- .../min.....Revolutions or reciprocations per minute

Double Insulation

The tool is double insulated. This means that all the external metal parts are electrically insulated from the mains power supply. This is done by placing insulated barriers between the electrical and mechanical components so as to making unnecessary for the tool to be earthed.

NOTE: Double insulation does not take the place of normal safety precautions when operating this tool. The insulation system is for added protection against injury resulting from a possible electrical insulation failure within the tool.

Electrical Safety

The electric motor has been designed for one voltage only. Always check that the power supply corresponds to the voltage on the rating plate.


Using an Extension Cable

An extension cable should not be used unless absolutely necessary. Use of an improper extension cable could result in a risk of fire and electric shock. If an extension cable must be used, use only those that are approved by the country's Electrical Authority. Make sure that extension cord is in good condition before using. Always use the cord that is suitable for the power input of your tool (see technical data on name plate). The minimum conductor size is 1mm²; the maximum length is 30m. When using a cable reel, always unwind the cable completely.

Features (Fig. A)

1. On / off switch
2. Lock-on button
3. Depth-of-cut adjustment lever
4. Base
5. Brush Cap
6. Socket wrench
7. Spanner

Assembly and Adjustment

 Prior to assembly and adjustment always unplug the tool.

Fitting & Removing the Diamond Wheel (Fig. C)

Fitting

- Insert the diamond wheel (9) to the spindle.
- Grip outside flange with spanner (7) and turn socket wrench (6) counterclockwise.

 Be sure to tighten clamp bolt securely.

 Use only the recommended diamond wheel with the correct hole size.


Removing


- Follow the procedure above in reverse order.

Cutting Depth Adjustment (Fig. D)

- To increase or decrease the depth of cut, loosen by pulling the Depth-of-cut adjustment lever (3) down.
- For minimum depth of cut, move/slide wing nut towards the "-" sign.
- To increase the depth of cut, move adjustment lever upwards, away from the base.
- At the desired depth of cut, secure the base by tightening the adjustment lever.
- At anytime, the depth-of-cut adjustment knob can also be set to a desired position to suit the user.

Instruction for Use

 Always observe the safety instructions and applicable regulations.

 Ensure that the depth-of-cut adjustment lever (3) is properly tightened before operating the tool.

Switching On And Off (Fig. E)

- To switch the tool on, press the on/off switch (1).
- To switch the tool off, release the on/off switch. This tool has a lock-on feature.
- To activate press the on/off switch and the then lock-on button (2).
- To de-activate press the on/off button again. Always switch off the tool when work is finished and before unplugging.

Cutting (Fig. E)

- Align the edge of the front of the base with the cutting line on the work piece. Hold the tool firmly.
- Set the base on the work piece to be cut without the wheel making any contact.
- Turn tool on and wait until the wheel attains full speed.
- Move the tool forward over the work piece surface, advancing smoothly until the cut is completed.
- Keep the cutting line straight.
- **This tool should only be used on horizontal surfaces.**
- Be sure to move the tool gently forward, in a straight line. Forcing, or exerting excessive pressure, or allowing the wheel to bend, pinch or twist in the cut can cause the motor to over heat and tool to kickback dangerously.
- **When cutting the work piece over 20mm deep, make 2 or 3 separate cuts to prevent motor failure.**


Maintenance

Your Black & Decker power tool has been designed to operate over a long period of time with a minimum of maintenance. Continuous satisfactory operation depends upon proper tool care and regular cleaning.

Motor Brushes (Fig. F)

- Remove and check carbon brushes regularly. Replace when they have worn down to about 6mm or less.
- Keep carbon brushes clean for free movement in the holder. Both carbon brushes should be replaced at the same time.
- Use only Black&Decker carbon brushes. Use a screwdriver to remove brush caps (5).
- Take out worn brushes, insert new ones, and secure the brush caps.

Cleaning

 **Warning:** unplug the tool before you use a cloth to clean the housing. With the motor running, blow dirt and dust out of all air vents with dry air at least once a week. Wear safety glasses when performing this. Exterior plastic parts may be cleaned with a damp cloth and mild detergent. Although these parts are highly solvent resistant, NEVER use solvents.

Tool Care

Avoid overloading the machine. Overloading will result in a considerable reduction in speed and efficiency and the unit will become hot. In this event, run the machine at no load for a minute or two until cooled to normal working temperature by the built in fan. Switching your machine on and off whilst under load will considerably reduce the life of the switch.

Important


To ensure product SAFETY and RELIABILITY, repairs, maintenance and adjustment (other than those listed in this manual) should be performed by authorized service centers or other qualified organizations, always using identical replacement parts. Unit contains no user serviceable parts inside.

Accessories

The performance of any power tool is dependent upon the accessory used. Black & Decker accessories are engineered to high quality standards and are designed to enhance the performance of power tool.

Black & Decker offers a large selection of accessories available at our local dealer or authorized service center at extra cost.


Note: use only accessories rated at least equal to the maximum speed marked on the tool.

 **CAUTION:** The use of any other accessory not recommended for use with this tool could be hazardous.

 **No grinding disc is allowed to use on this tool.**

 **No wood-cutting disc is allowed on this tool.**

Protecting The Environment

 Should you find one day that your tool needs replacement, or if it is of no further use to you, think of the protection of the environment. Black & Decker recommends you to contact your local council for disposal information.

Service Information

Black & Decker offers a full network of company-owned and authorized service locations throughout Asia. All Black & Decker Service Centers are staffed with trained personnel to provide customers with efficient and reliable power tool service. Whether you need technical advice, repair, or genuine factory replacement parts, contact the Black & Decker location nearest to you.

Notes

- Black & Decker's policy is one of continuous improvement to our products and, as such, we reserve the right to change product specifications without prior notice.
- Standard equipment and accessories may vary by country.
- Product specifications may differ by country.
- Complete product range may not be available in all countries. Contact your local Black & Decker dealers for range availability.

KTM110 110毫米云石切割机

技术参数

规格	KTM110	
功率	瓦	1,200
空载速度	转/分	13,500
直径	毫米	110
切割深度	毫米	34
重量	公斤	2.69
电线长度	米	2

一般安全规则

⚠警告！ 阅读说明没有按照以下列举的说明而使用或操作将导致触电、着火和/或严重伤害。在所有以下列举的警告中术语“电动”工具指市电驱动（有线）电动工具或电池驱动（无线）电动工具。

保存这些说明

a) 工作场地

1. 保持工作场地清洁和明亮。混乱和黑暗的场地会引发事故。
2. 不要在易爆环境，如有易燃液体、气体或粉尘的环境下操作电动工具。电动工具产生的火花会点燃粉尘或气体。
3. 让儿童和旁观者离开后操纵电动工具。分心会使你放松控制。

b) 电气安全

1. 电动工具插头必须与插座相配。绝不能以任何方式改装插头。需接地的电动工具不能使用任何转换插头。未经改装的插头和相配的插座将减少触电危险。
2. 避免人体接触接地表面，如管道、散热片和水箱。如果你身体接地会增加触电危险。
3. 不得将电动工具暴露在雨中或潮湿环境中。水进入电动工具将增加触电危险。
4. 不得滥用电线。绝不能用电线搬运、拉动电动工具或拔出其插头。让电动工具远离热、油、锐边或运动部件。受损或缠绕的电线会增加触电危险。

5. 当在户外使用电动工具时，使用适合户外使用的外接电线。适合户外使用的电线将减少触电危险。

c) 人身安全

1. 保持警觉，当操作电动工具时关注所从事的操作并保持清醒。切勿在有疲倦、药物、酒精或治疗反应下操作电动工具。在操作电动工具期间精力分散会导致严重人身伤害。
2. 使用安全装置。始终配戴护目镜。安全装置，诸如适当条件下的防尘面具、防滑安全鞋、安全帽、听力防护等装置能减少人身伤害。
3. 避免突然起动。确保开关在插入插头时处于关断位置。手指放在已接通电源的开关上或开关处于接通时插入头可能会导致危险。
4. 在电动工具接通之前，拿掉所有调节钥匙或扳手。遗留在电动工具旋转零件上的扳手或钥匙会导致人身伤害。
5. 手不要伸得太长。时刻注意脚下和身体平衡。这样在意外情况下能很好地控制电动工具。
6. 着装适当。不要穿宽松衣服或佩带饰品。让你的头发、衣服和袖子远离运动部件。宽松衣服、佩饰或长发可能会卷入运动部件。
7. 如果提供了与排屑装置、集尘设备连接用的装置，则确保他们连接完好且使用得当。使用这些装置可减少碎屑引起的危险。

d) 电动工具使用和注意事项

1. 不要滥用电动工具，根据用途使用适当的电动工具。选用适当的设计额值的电动工具会使你工作有效、更安全。
2. 如果开关不能接通或关断工具电源，则不能使用该电动工具。不能用开关来控制的电动工具是危险的且必须进行修理。
3. 在进行任何调节、更换附件或贮存电动工具之前，必须从电源上拔掉插头和/或将电池盒脱开电源。这种防护性措施将减少电动工具突然起动的危险。
4. 将闲置电动工具贮存在儿童所及范围之外，并且不要让不熟悉电动工具或对这些说明不了解


的人操作电动工具。电动工具在未经训练的用户手中是危险的。

5. 保养电动工具。检查运动部件的安装偏差或卡住、零件破损情况和影响电动工具运行的其它条件。如有损坏，电动工具必须在使用前修理好。许多事故由维护不良的电动工具引发。
6. 保持切削刀具锋利和清洁。保养良好的有锋利切削刃的刀具不易卡住而且容易控制。
7. 按照使用说明书以及打算使用的电动工具的特殊类型要求的方式，考虑作业条件和进行的作业来使用电动工具、附件和工具的刀头等。电动工具用作那些与要求不符的操作可能会导致危险情况。

e) 维修

1. 将你的电动工具送交专业维修人员，必须使用同样的备件进行更换。这样确保所维修的电动工具的安全性。

云石机的附加安全守则




 **小心!** 当锯割墙壁、地板或任何可接触到电线机会的时候，切勿接触锯机的金属部份！使用电动工具时，应拿著其绝缘表面，因机具可能会接触到隐藏的电源线或自身电线，接触带电的电线，可使工具的金属露部件也带电，并电击操作者。

1. 让手始终远离锯割区域和金刚石锯片。你的另一只手始终握住辅助手柄。如果双手都握住切割机，就不会被锯片伤害。
2. 不得接触工件的下面。护罩无法防护工件下方的锯片。
3. 始终使用尺寸和轴心形状（菱形或圆形）配合得当的金刚石锯片。如果金刚石锯片与切割机夹装部件不符将引起偏心运转而导致失控。
4. 不得使用损坏的和尺寸不符的垫圈和螺栓。使用损坏的或尺寸不符的垫圈和螺栓会导致操作失控。
5. 不得使用砂轮；


6. 不得使用不符合制造商规定的金刚石锯片；
7. 不得使用破损、变形或有裂痕的切割片；
8. 不得在拆除固定护罩的状态下运行；
9. 不得在切割片与工件接触的情况下启动切割机；
10. 切割机断电后，在切割片完全停转之前，不要放下切割机，且不得用任何外力迫使金刚石锯片停转；
11. 更换切割片、调节切割深度或水管、或维修切割机前，应将插头从电源上拔脱，金刚石锯片处于静止状态；
12. 当在金刚石锯片有可能切割到暗线或自身电线的场所进行操作时，只能通过绝缘握持面来握住电动工具。金刚石锯片碰到带电导线可能会使电动工具的外露金属零件带电并使操作者受到电击危险；
13. 当进行“盲切割”进入墙体或其它盲区时要格外小心。金刚石锯片可能会割到煤气管或水管，电线或由此引起反弹的物体。

警告标志

工具上的铭牌可能包含以下标志：

 阅读使用手册
V 伏特
A 安培
Hz 赫兹
W 瓦特
min 分钟
~ 交流电
— 直流电
n_0 空载速度
 II 双重绝缘
 安全警示标志
.../min 每分钟的旋转运动或往复运动次数

双重绝缘

 本工具是双重绝缘的；有关电动及机械部份均以额外的绝缘体隔开，因此，所有外部的金属部份都是与电分隔的。双重绝缘能使电器更加安全，而且无需接地线。注意：双重绝缘不能代替使用本工具的正常安全措施，它只是对工具的可能电力绝缘失效而多加的一重保护而已。

电气安全

使用前，检查并确保电源电压与铭牌上的使用电压相符。

使用延长线

如非必要，请勿使用延长线。使用不正确的延长线会引发火灾或电击的危险。如果非要使用不可，请用当地电力机构认可的延长线。使用前先确定延长线的性能良好，并且符合工具的电源输入（见铭牌上的技术数据）。延长线的电线导体部分尺寸应不小于1.5平方毫米。

部件（图A）

本工具乃设计以作专业锯割磁砖、石材等

1. 开关
2. 锁定钮
3. 深度调整钮
4. 底板
5. 碳刷盖
6. 套筒扳手
7. 扳手

组装和调整

组装和调整前，先要切断电源。

装卸锯片（图C）

安装

- 把锯片（9）穿进主轴
- 用扳手（7）套住外法兰，然后用套筒扳手（6）逆时针方向转动螺丝。

⚠ 确保紧固螺丝已锁紧。

⚠ 只可使用符合孔径尺寸的金刚石切割片。

卸下

- 按上述安装步骤反向执行。

调整切割深度（图D）

- 要增加或减少切割深度，只需松开深度调整钮（3）。
- 切割最小深度时，将调整钮朝“—”的方向推动；

- 若要增加切割深度，将调整钮向下推动，使它接近底板。
- 当到达所需的切割深度时，转紧深度调整钮以固定深度。
- 为防止工具发生任何故障，深度调整钮已在出厂前被调到最佳位置。
- 用户也可根据需要在任何时候将其调到所需位置。

使用指南

- 请遵守安全指示及相关条例。
- 使用工具前，必先确定深度调整钮（3）已锁紧。

开关（图E）

- 要启动工具，按压开关（1）。
- 要止动工具，释放开关。
- 本工具备有锁定设计，要持续切割，按压开关后再按下锁定钮（2）。要免除锁定工具持续转动，只需再按开关便可。
- 当工作完毕，务心先关掉工具再切断电源。

切割（图E）

- 底板前缘对准工件的切割线，拿稳工具，将底板放在所要切割工件的表面上，留心锯片勿要接触工件。
- 启动工具并等锯片达致极速。
- 将工具工件表面平稳地向前移动，直至切割完成。
- 需保持直线切割。
- 工具只能切割水平放置的工件。
- 向前移动工具时，必定要平轻稳，成一直线。
- 切割中如用力过猛或使锯片弯曲，挤压或扭曲都会使工具热及突然逆转而非常危险。
- 切割深度超过20毫米时，应分两次或三次切割以防止马达故障。

维护

您的 Black & Decker 电动工具设计精良，可以长期使用，仅需极少维护。要连续获得令人满意的工作效果，需要您做合适的保养和定期的清洁。您的工具不可由用户进行维修。请将工具交给授权的 Black & Decker 修理机构。此工具应定期维修，或当其显示出明显的性能改变时进行维修。

碳刷

碳刷（图E）

- 定期卸下碳刷并检查，当其磨损到六毫米或以下时，应予以更换。
- 保持碳刷干净，以使其在支架内移动而不受任何阻碍；两个碳刷应同时更换。
- 只可使用百得碳刷。
- 使用一字起子卸下碳刷盖（5），取出磨损的碳刷，装入新的碳刷，然后盖上锁紧碳刷盖。

清洁

⚠ 警告：用布清洁外壳之前，请拔下工具的插头。至少每周一次，在马达运转时，用干燥的压缩空气将灰尘和粉尘从所有的通风口吹走。进行此操作时，请佩戴护目镜。可以用湿布和温和的洗涤剂清洁外部的塑料部件。虽然这些部件具有很高的抗溶剂性，但切勿使用溶剂清洁。

保养

避免电动工具长期过载。过载会减低工作速度及效率，并使电动工具过热；在此情况下，让电动工具空载转一两分钟，直至电动工具被其内至风扇冷却到正常工作温度。在负载情况下开或关机，会在某种程度上减低电动工具的寿命。

重要说明

为确保产品的安全性和可靠性，应由授权的维修中心或其它合格组织修理、维护和调整（非手册所列项目）机器，并始终使用相同的备件。装置内不含有用户可维修部件。

配件

任何电动工具的性能是依赖使用得当的配件的，

Black & Decker的配件都是经精心设计，并以最佳物料制造、再经无数次严谨的测试合格才推出市场的；故其质量一等等，务求与电动工具相辅相成。


购买Black & Decker配件会令您的Black & Decker电动工具如虎添翼。Black & Decker推荐的配件，在当地的经销商或授权的维修中心人售。Black & Decker有一系列的配件，在当地的经销商及维修中心以供阁下选购。

⚠ 注意：使用锯片的转速至少不低于工具所标明的转速。

⚠ 警告：本电动工具使用任何未经推荐的配件，均可能导致危险。

⚠ 警告：只可使用石材切割的金刚石切割片。不得使用砂轮或带齿锯片。

保护环境

 一旦您发现工具需要更换，或工具不能再使用，请考虑到保护环境。Black & Decker 建议您与当地市政委员会联系，以咨询相关的处理信息。

维修信息

Black & Decker 为您提供我们在全亚洲公司所有的和公司授权的维修点网络。所有的 Black & Decker 维修中心均配备训练有素的人员，可为客户提供高效可靠的电动工具维修。无论您需要的是技术建议、修理还是原厂备件，均可联系最近的 Black & Decker 维修点为您服务。

注意事项

- Black & Decker 实行的是对我们的产品持续改进的政策，因此，我们保留不另行通知即可更改产品规格的权利。
- 标准装置和配件因国家而异。
- 产品规格会按国家而有所不同。
- 完整的产品系列不一定在所有的国家均可用。请联系您当地的 Black & Decker 经销商，咨询产品系列的可用性。

制造商：百得（苏州）精密制造有限公司

地址：苏州工业园区苏虹路200号出口加工区