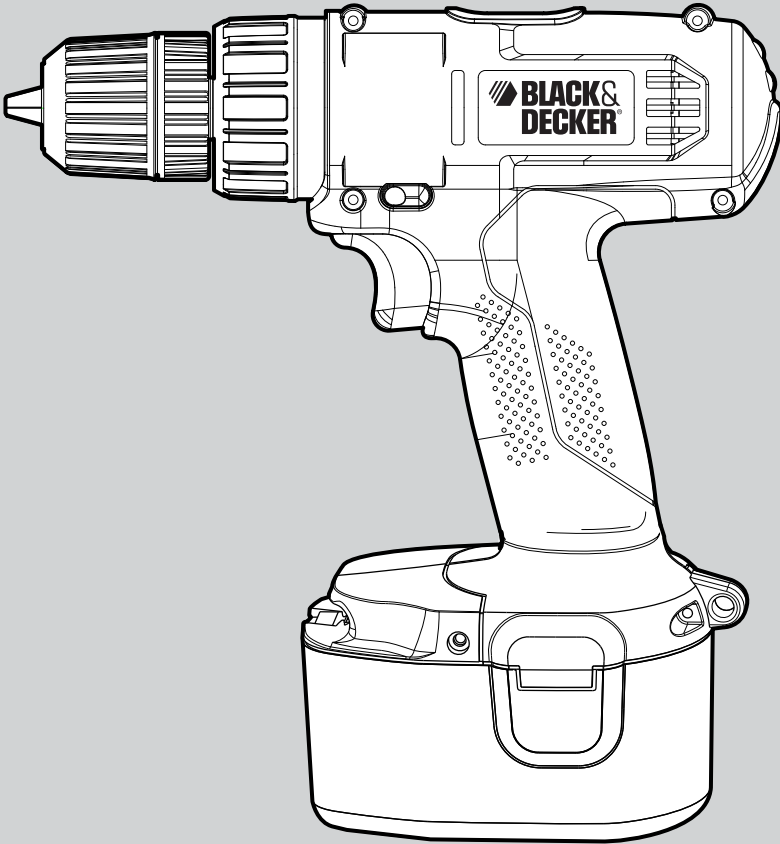


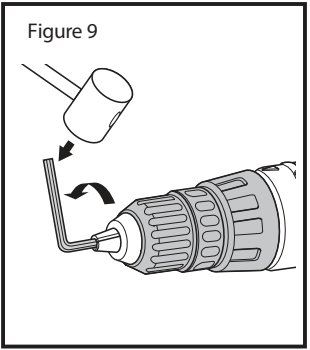
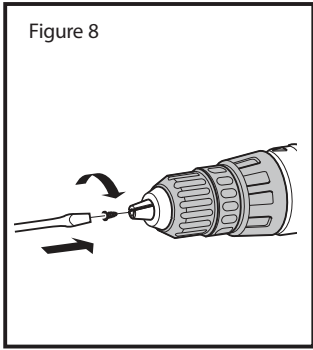
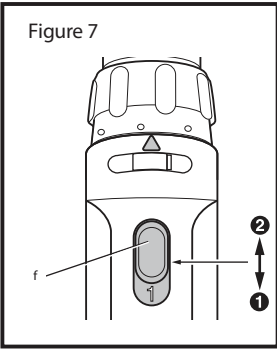
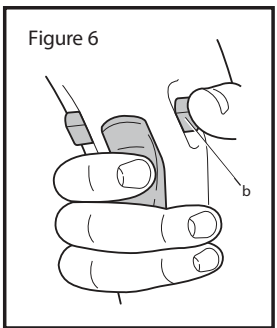
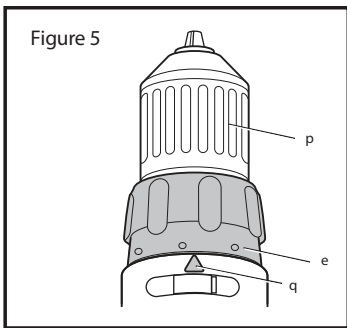
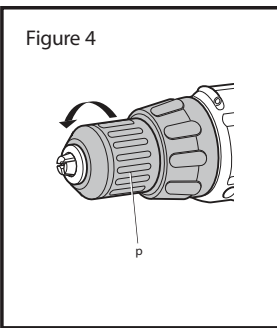
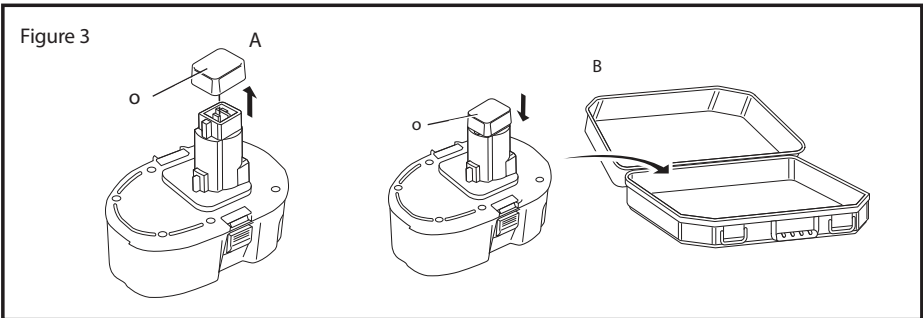
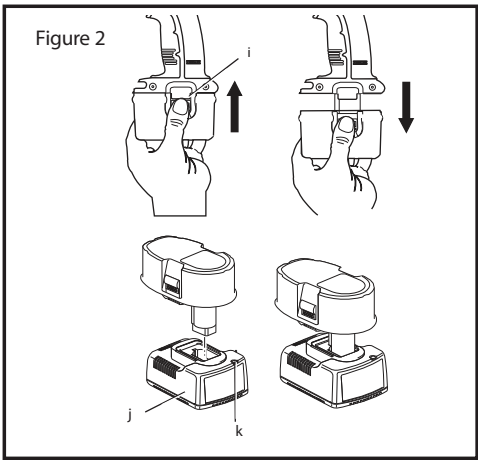
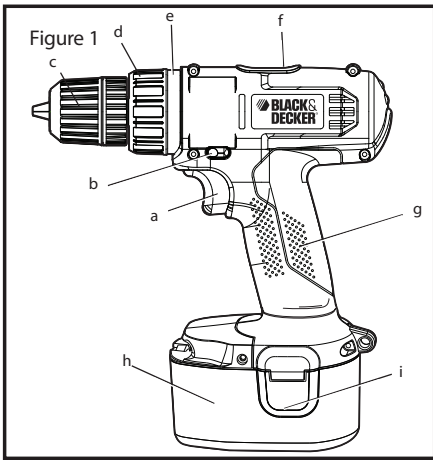


BLACK & DECKER®

TRADESMAN SERIES



KTC144



KTC144

10MM CORDLESS DRILL/ DRIVER

TECHNICAL DATA

Cordless Drill/ Driver	KTC144	
Voltage	V	14.4
No Load Speed	/min	0-400/ 0-1,300
Max. Torque	Nm	30
Drilling Capacity		
- Wood/Steel	mm	30/10
- Chuncuk Capacity	mm	1.0-10
Weight	kg	1.1
Battery		
Voltage	V	14.4
Capacity	Ah	1.5
Weight	kg	0.75
Charger		
Approx. Charging Time	Hour	1
Weight	kg	1.1

INTENDED USE

Your Black & Decker cordless drill/driver has been designed for all drilling & screw driving applications.

GENERAL SAFETY RULES

Warning! Read all instructions. Failure to follow all instructions listed below may result in electric shock, fire and/or serious injury. The term "power tool" in all of the warnings listed below refers to your mains operated (corded) power tool or battery operated (cordless) power tool.

SAVE THESE INSTRUCTIONS.

1. Work area safety

- Keep work area clean and well lit.** Cluttered or dark areas invite accidents.
- Do not operate power tools in explosive atmospheres, such as in the presence of flammable liquids, gases or dust.** Power tools create sparks which may ignite the dust or fumes.
- Keep children and bystanders away while operating a power tool.** Distractions can cause you to lose control.

2. Electrical safety

- Power tool plugs must match the outlet. Never modify the plug in any way.** Do not use any adapter plugs with earthed (grounded) power tools. Unmodified plugs and matching outlets will reduce risk of electric shock.
- Avoid body contact with earthed or grounded surfaces, such as pipes, radiators, ranges and refrigerators.** There is an increased risk of electric shock if your body is earthed or grounded.

- Do not expose power tools to rain or wet conditions.** Water entering a power tool will increase the risk of electric shock.
- Do not abuse the cord. Never use the cord for carrying, pulling or unplugging the power tool. Keep cord away from heat, oil, sharp edges or moving parts.** Damaged or entangled cords increase the risk of electric shock.
- When operating a power tool outdoors, use an extension cord suitable for outdoor use.** Use of a cord suitable for outdoor use reduces the risk of electric shock.
- If operating a power tool in a damp location is unavoidable, use a residual current device (RCD) protected supply.** Use of an RCD reduces the risk of electric shock.

3. Personal safety

- Stay alert, watch what you are doing and use common sense when operating a power tool. Do not use a power tool while you are tired or under the influence of drugs, alcohol or medication.** A moment of inattention while operating power tools may result in serious personal injury.
 - Use personal protective equipment. Always wear eye protection.** Protective equipment such as dust mask, non-skid safety shoes, hard hat, or hearing protection used for appropriate conditions will reduce personal injuries.
 - Prevent unintentional starting. Ensure the switch is in the off-position before connecting to power source and/or battery pack, picking up or carrying the tool.** Carrying power tools with your finger on the switch or energising power tools that have the switch on invites accidents.
 - Remove any adjusting key or wrench before turning the power tool on.** A wrench or a key left attached to a rotating part of the power tool may result in personal injury.
 - Do not overreach. Keep proper footing and balance at all times.** This enables better control of the power tool in unexpected situations.
 - Dress properly. Do not wear loose clothing or jewellery. Keep your hair, clothing and gloves away from moving parts.** Loose clothes, jewellery or long hair can be caught in moving parts.
 - If devices are provided for the connection of dust extraction and collection facilities, ensure these are connected and properly used.** Use of dust collection can reduce dust-related hazards.
- ##### 4. Power tool use and care
- Do not force the power tool. Use the correct-power tool for your application.** The correct power tool will do the job better and safer at the rate for which it was designed.

- b. **Do not use the power tool if the switch does not turn it on and off.** Any power tool that cannot be controlled with the switch is dangerous and must be repaired.
- c. **Disconnect the plug from the power source and/or the battery pack from the power tool before making any adjustments, changing accessories, or storing power tools.** Such preventive safety measures reduce the risk of starting the power tool accidentally.
- d. **Store idle power tools out of the reach of children and do not allow persons unfamiliar with the power tool or these instructions to operate the power tool.** Power tools are dangerous in the hands of untrained users.
- e. **Maintain power tools. Check for misalignment or binding of moving parts, breakage of parts and any other condition that may affect the power tool's operation. If damaged, have the power tool repaired before use.** Many accidents are caused by poorly maintained power tools.
- f. **Keep cutting tools sharp and clean.** Properly maintained cutting tools with sharp cutting edges are less likely to bind and are easier to control.
- g. **Use the power tool, accessories and tool bits etc. in accordance with these instructions, taking into account the working conditions and the work to be performed.** Use of the power tool for operations different from those intended could result in a hazardous situation.

5. Battery tool use and care

- a. **Ensure the switch is in the off position before inserting battery pack.** Inserting the battery pack into power tools that have the switch on invites accidents.
- b. **Recharge only with the charger specified by the manufacturer.** A charger that is suitable for one type of battery pack may create a risk of fire when used with another battery pack.
- c. **Use power tools only with specifically designated battery packs.** Use of any other battery packs may create a risk of injury and fire.
- d. **When battery pack is not in use, keep it away from other metal objects like paper clips, coins, keys, nails, screws, or other small metal objects that can make a connection from one terminal to another.** Shorting the battery terminals together may cause burns or a fire.
- e. **Under abusive conditions, liquid may be ejected from the battery; avoid contact. If contact accidentally occurs, flush with water. If liquid contacts eyes, additionally seek medical help.** Liquid ejected from the battery may cause irritation or burns.

6. Service

- a. **Have your power tool serviced by a qualified repair person using only identical replacement**

parts. This will ensure that the safety of the power tool is maintained.


ADDITIONAL POWER TOOL SAFETY WARNINGS



Warning! Additional safety warnings for drills and impact drills

- **Wear ear protectors with impact drills.** Exposure to noise can cause hearing loss.
- **Use auxiliary handles supplied with the tool.** Loss of control can cause personal injury.
- **Hold power tool by insulated gripping surfaces when performing an operation where the cutting accessory may contact hidden wiring.** Cutting accessory contacting a "live" wire may make exposed metal parts of the power tool "live" and shock the operator.

ADDITIONAL SAFETY INSTRUCTIONS FOR BATTERIES AND CHARGERS

- Never attempt to open for any reason.
 - Do not expose the battery to water.
 - We recommend taking battery off the charger when fully Charged.
 - Do not store in locations where the temperature may exceed 40°C.
 - Charge only at ambient temperatures between 4°C and 40°C.
 - Charge only using the charger provided with the tool.
 - When disposing of batteries, follow the instructions given in the section "Protecting the environment".
 -  **Leaks from battery cells can occur under extreme conditions.** The battery fluid, a 25-30% solution of potassium hydroxide, can be harmful. In case of skin contact: (a) wash quickly with soap and water; or (b) neutralize with a mild acid such as lemon juice or vinegar. If the liquid gets into the eyes, flush them immediately with clean water for a minimum of 10 minutes. Seek medical attention.
 - Do not incinerate the battery.
 - Do not charge damaged battery packs.
- Fire hazard!** Avoid short-circulating the contacts of a detached battery.



CHARGERS

- Use your Black & Decker charger only to charge the battery in the tool with which it was supplied. Other batteries could burst, causing personal injury and damage.
- Charger needs approximately 15minutes to re-set after finishing charge to charge the 2nd battery, Unplugging the charger can shorten the re-set time. To minimize re-set time, unplugging the charger is suggested.
- Never attempt to charge non-rechargeable batteries.
- Have defective cords replaced immediately.
- Do not expose to water.
- Do not open the charger.

- Do not probe the charger.
- This appliance is not intended for use by persons (including children) with reduced physical, sensory or mental capabilities, or lack of experience and knowledge, unless they have been given supervision or instruction concerning use of the appliance by a person responsible for their safety.
- Children should be supervised to ensure that they do not play with the appliance.
- If the supply cord of the charger is damaged, it must be replaced by the manufacturer, its service agent or similarly qualified persons in order to avoid a hazard.

LABELS ON THE CHARGER

The following symbols are found on your charger:

-  Your charging base is double insulated; therefore no earth wire is required. Always check that the power supply corresponds to the voltage on the rating plate.
-  The charging base is intended for indoor use only.






SPECIFIC SAFETY RULES

Hold tool by insulated gripping surfaces when performing an operation where the tool may contact hidden wiring. Contact with a “live” wire will also make exposed metal parts of the tool “live” and shock the operator.

- **When working on a ladder or on scaffolding be sure to lay the tool down on its side when not in use.** Some tools with large battery packs will stand upright but may be easily knocked over. Avoid touching the tip of a drill bit just after drilling, as it may be hot.
- When fitting and changing accessories, always use the instructions supplied with the accessory.
- Should your tool develop a fault, do not try to fix it yourself, but take it to one of our authorized repair agents.

SYMBOLS


The label on your tool may include the following symbols:

V	volts
A	Amperes
Hz	Hertz
W	Watts
min.	Minutes
	Alternating current
	Direct current
no	No load speed
	Class II Construction
	Earthing terminal
	Safety alert symbol
.../min	Revolutions or reciprocation per minute
.../bpm	Beats per minute

FEATURES (FIG. 1)


- Variable speed switch
- Forward/reverse slider
- Keyless chuck
- Mode selector/torque adjustment collar
- Collar settings
- Two gear selector
- Grip
- Battery pack
- Release buttons
- Charger
- Charging indicator

ASSEMBLY AND ADJUSTMENT

 **WARNING:** Prior to assembly and adjustment, always remove the battery pack. Always switch off the tool before inserting or removing the battery pack.

 **WARNING:** Use only Black & Decker battery packs and chargers.

INSERTING AND REMOVING THE BATTERY PACK FROM THE TOOL (FIG. 2)

 **WARNING:** To reduce the risk of serious personal injury, turn tool off and disconnect battery pack making any adjustments or removing/installing attachments or accessories. An accidental start-up can cause injury.

TO INSTALL THE BATTERY PACK INTO THE TOOL HANDLE

1. Align the base of the tool with the notch inside the tool's handle (fig. 2).
2. Slide the battery pack firmly into the handle until you hear the lock snap into place.

TO REMOVE THE BATTERY PACK FROM THE TOOL

1. Press the release buttons (i) and firmly pull the battery pack out of the tool handle.
2. Insert battery pack into the charger as described in the charger section of this manual.

INSERTING AND REMOVING BITS (FIG. 1, 4)


1. Open the chuck by turning the sleeve (p) counter-clockwise and insert the bit shank.
2. Place the bit in the chuck as far as it will go and lift slightly before tightening.
3. Tighten firmly by turning the sleeve clockwise.
4. To remove the bit, proceed in reverse order.


SELECTING THE OPERATING MODE OR ADJUSTING THE TORQUE (FIG. 5)

The collar of this tool has 15 positions for the adjustment of the torque to suit the size of the screw and the workpiece material. For torque adjustment, refer to screwdriving. Select the drilling mode or torque by aligning the symbol or number on the collar (e) with the indicator (q) on the housing.

FORWARD/REVERSE SLIDER (FIG. 6)

To select forward or reverse rotation, use the forward/reverse slider (b) as shown (see arrows on tool).

 **WARNING:** To reduce the risk of personal injury, always wait until the motor has come to a complete standstill before changing the direction of rotation.


 **WARNING:** To reduce the risk of personal injury, always wait until the motor has come to a complete standstill before changing the direction of rotation.

TWO-GEAR SELECTOR (FIG. 7)

Your tool is fitted with a two-gear selector (f) to vary the speed/torque ratio.

1. Low speed/high torque (drilling large holes, driving screws).
2. High speed/low torque (drilling smaller holes)

For speed rates, refer to the technical data.

 **WARNING:** To reduce the risk of personal injury:


- Always push the two gear selector completely forward or backward.
- Do not change gears at full speed or during use.

REMOVING AND FITTING THE CHUCK (FIG. 8, 9)

1. Open the chuck jaws as far as possible.
2. Insert a screwdriver into the chuck and remove the chuck retaining screw by turning clockwise as shown in figure 8.
3. Tighten an hex key into the chuck and strike it with a hammer as shown in figure 9. This will loosen the chuck so that it can be unscrewed by hand.
4. To refit the chuck, proceed in reverse order.

OPERATION

INSTRUCTIONS FOR USE

 **WARNING:** To reduce the risk of personal injury:

- Always observe the safety instructions and applicable regulations.
- Be aware of the location of pipework and wiring.
- Apply only a gentle pressure to the tool. Excessive force does not speed up drilling but decreases tool


- To minimize break-through, progressively reduce the drill point pressure towards the end of the operation.
- Keep the motor running when pulling the bit back out of a drilled hole. This will help prevent jamming.

PRIOR TO OPERATION:

1. Make sure your battery pack is (fully) charged.
2. Insert the appropriate bit.
3. Mark the spot where the hole is to be drilled.
4. Select forward or reverse rotation.

SWITCHING ON AND OFF (FIG. 1, 6)

1. To run the tool, press the variable speed switch (a). The pressure exerted on the variable speed switch determines the tool speed.
2. To stop the tool, release the switch.
3. To lock the tool in the off position, move the forward/reverse slider (b) to the central position.

 **WARNING:** To reduce the risk of personal injury the drill is equipped with a brake to stop the tool as soon as the variable speed switch is fully released.

DRILL OPERATION

1. Select the desired speed/torque range using the gear shifter to match the speed and torque to the planned operation.
2. For WOOD, use twist bits, spade bits, power auger bits or hole saws. For METAL, use high-speed steel twist drill bits or hole saws. Use a cutting lubricant when drilling metals. The exceptions are cast iron and brass which should be drilled dry.
3. Always apply pressure in a straight line with the bit. Use enough pressure to keep the drill bit biting, but do not push hard enough to stall the motor or deflect the bit.
4. Hold tool firmly with both hands to control the twisting action of the drill.
5. IF DRILL STALLS, it is usually because it is being overloaded. RELEASE TRIGGER IMMEDIATELY, remove drill bit from work, and determine cause of stalling. DO NOT CLICK TRIGGER OFF AND ON IN AN ATTEMPT TO START A STALLED DRILL – THIS CAN DAMAGE THE DRILL.
6. Keep the motor running when pulling the bit back out of a drilled hole. This will help prevent jamming.


SCREWDRIVING (FIG. 1)

1. Select forward or reverse rotation using the slider (b). Match the speed and torque to the planned operation. Insert the desired fastener accessory into the chuck as you would any drill bit.
2. Set the collar (d) to position 1 and begin screwdriving (low torque). Make a few practice runs in scrap or unseen areas to determine the proper position of the clutch collar.

3. If the clutch ratchets too soon, adjust the collar to increase the torque as required.

MAINTENANCE

Your Black & Decker power tool has been designed to operate over a long period of time with a minimum of maintenance. Continuous satisfactory operation depends upon proper tool care and regular cleaning.

 **Warning!** Before performing any maintenance on the tool, remove the battery from the tool. Unplug the charger before cleaning it.

- Regularly clean the ventilation slots in your tool using a soft brush or dry cloth.
- Regularly clean the motor housing using a damp cloth.
- Do not use any abrasive or solvent-based cleaner.
- Regularly open the chuck and tap it to remove any dust from the interior.


This tool is not user-serviceable. Take it to an authorized Black & Decker repair agent for service.


Your charger does not require any maintenance apart from regular cleaning.

IMPORTANT


To ensure product SAFETY and RELIABILITY, repairs, maintenance and adjustment (other than those listed in this manual) should be performed by authorized service centers or other qualified organizations, always using identical replacement parts. Unit contains no user serviceable parts inside.

CLEANING

 **WARNING:** Blow dirt and dust out of the main housing with dry air as often as dirt is seen collecting in and around the air vents. Wear approved eye protection and approved dust mask when performing this procedure.

 **WARNING:** Never use solvents or other harsh chemicals for cleaning the non-metallic parts of the tool. These chemicals may weaken the materials used in these parts. Use a cloth dampened only with water and mild soap. Never let any liquid get inside the tool; never immerse any part of the tool into a liquid.

CHARGER CLEANING INSTRUCTIONS


 **WARNING:** Shock hazard. Disconnect the charger from the AC outlet before cleaning. Dirt and grease may be removed from the exterior of the charger using a cloth or soft non-metallic brush. Do not use water or any cleaning solutions.

ACCESSORIES


The performance of any power tool is dependent upon

the accessory used. Black & Decker accessories are engineered to high quality standards and are designed to enhance the performance of power tool.


Black & Decker offers a large selection of accessories available at our local dealer or authorized service center at extra cost.

 **CAUTION:** The use of any other accessory not recommended for use with this tool could be hazardous.

PROTECTING THE ENVIRONMENT

 Separate collection. This product must not be disposed of with normal household waste.

Should you find one day that your Black & Decker product needs replacement, or if it is of no further use to you, do not dispose of it with household waste. Make this product available for separate collection.

 Separate collection of used products and packaging allows materials to be recycled and used again.

Re-use of recycled materials helps prevent environmental pollution and reduces the demand for raw materials. If necessary, contact your local municipality for proper disposal instructions in your city/town.

BATTERIES

Black & Decker batteries can be recharged many times. At the end of their useful life, discard batteries with due care for our environment:

Run the battery down completely, and then remove it from the tool.

NiCd and NiMH batteries are recyclable. Take them to a local recycling station.

SERVICE INFORMATION

Black & Decker offers a full network of company-owned and authorized service locations throughout Asia. All Black & Decker Service Centers are staffed with trained personnel to provide customers with efficient and reliable power tool service. Whether you need technical advice, repair, or genuine factory replacement parts, contact the Black & Decker location nearest to you.

NOTES

- Black & Decker's policy is one of continuous improvement to our products and, as such, we reserve the right to change product specifications without prior notice.
- Standard equipment and accessories may vary by country.
- Product specifications may differ by country.
- Complete product range may not be available in all countries. Contact your local Black & Decker dealers for range availability.