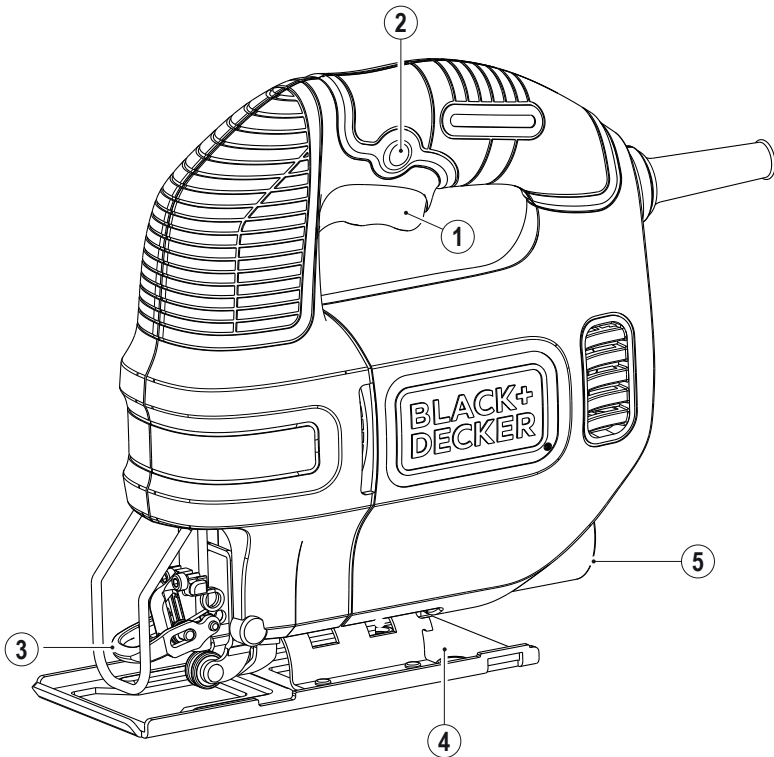


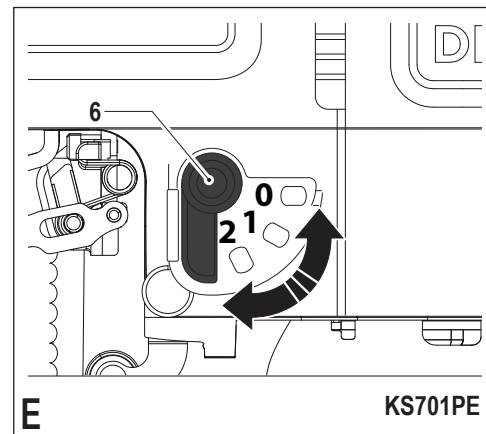
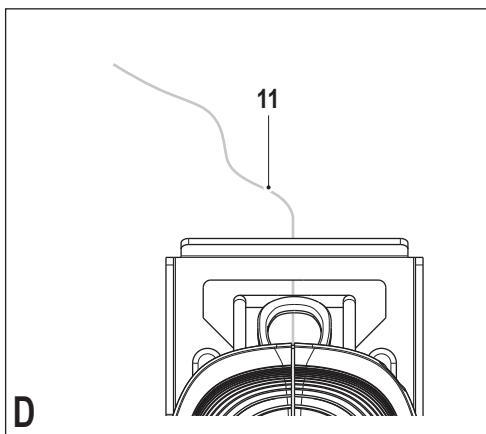
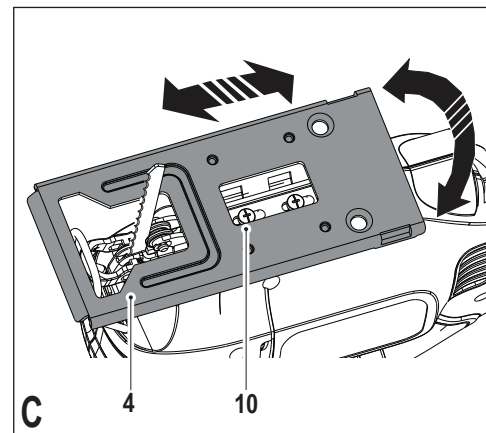
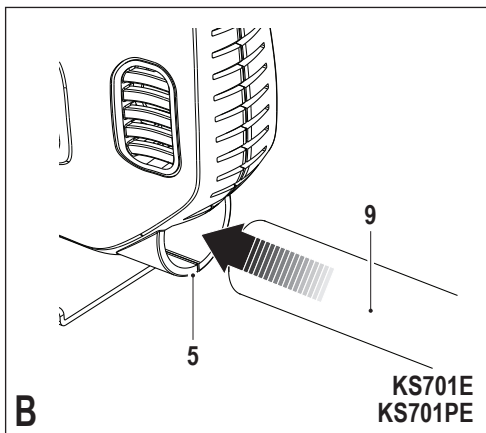
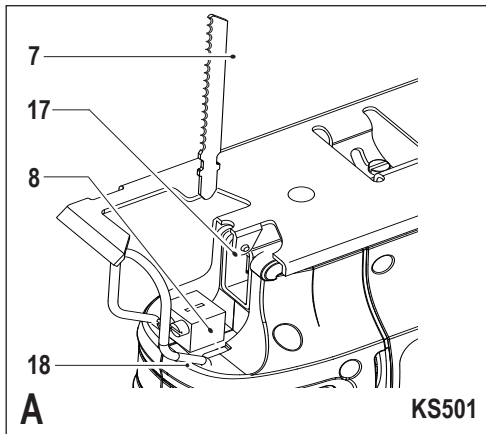
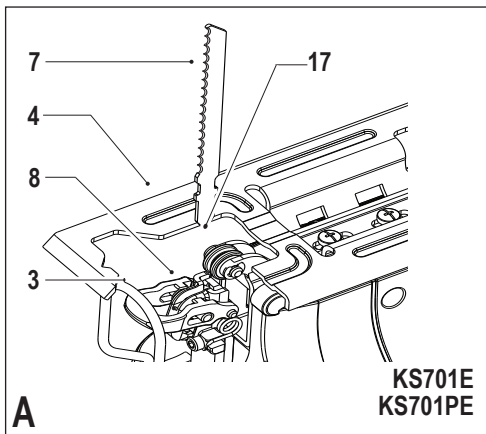


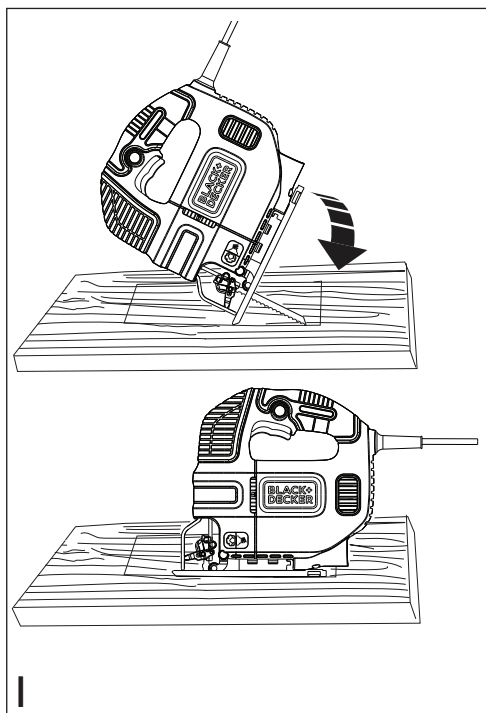
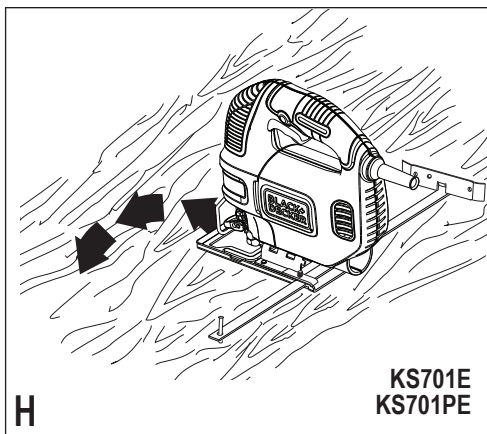
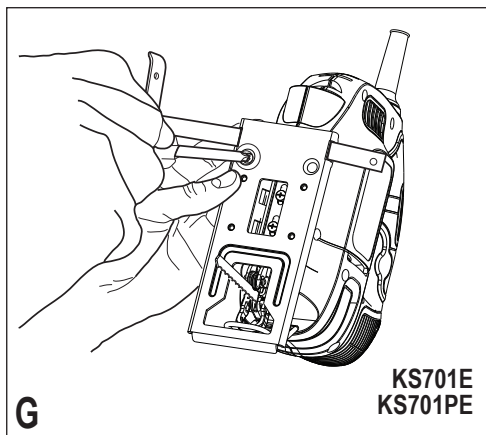
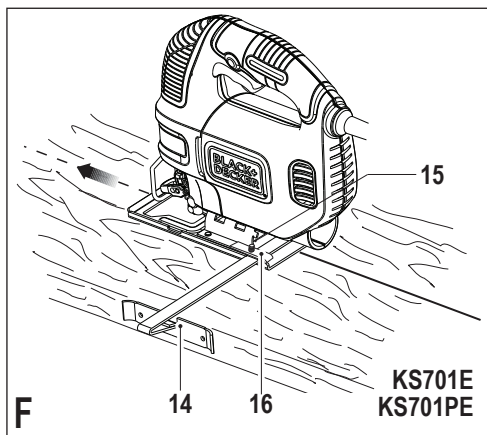
www.blackanddecker.com



**KS501**  
**KS701E**  
**KS701PE**

<b>English</b>	<b>4</b>
<b>INDONESIA</b>	<b>9</b>
<b>ภาษาไทย</b>	<b>15</b>
<b>TIẾNG VIỆT</b>	<b>20</b>





## Technical data

		KS501	KS701E	KS701PE
Input voltage	V <sub>ac</sub>	220-240	220-240	220-240
No-load speed	min <sup>-1</sup>	3,000	0-3,000	0-3,000
Max depth of cut				
Wood	mm	65	70	70
Steel	mm	5	5	5
Aluminium	mm	10	15	15
Weight	kg	1.3	1.6	1.7

## Intended use

Your BLACK+DECKER jig saw has been designed for sawing wood, plastics and metal. This tool is intended for consumer use only.

## Safety instructions

### General power tool safety warnings



**Warning!** Read all safety warnings and all instructions. Failure to follow the warnings and instructions listed below may result in electric shock, fire and/or serious injury.

### Save all warnings and instructions for future reference.

The term "power tool" in all of the warnings listed below refers to your mains operated (corded) power tool or battery operated (cordless) power tool.

#### 1. Work area safety

- a. **Keep work area clean and well lit.** Cluttered or dark areas invite accidents.
- b. **Do not operate power tools in explosive atmospheres, such as in the presence of flammable liquids, gases or dust.** Power tools create sparks which may ignite the dust or fumes.
- c. **Keep children and bystanders away while operating a power tool.** Distractions can cause you to lose control.

#### 2. Electrical safety

- a. **Power tool plugs must match the outlet. Never modify the plug in any way. Do not use any adapter plugs with earthed (grounded) power tools.** Unmodified plugs and matching outlets will reduce risk of electric shock.
- b. **Avoid body contact with earthed or grounded surfaces such as pipes, radiators, ranges and refrigerators.** There is an increased risk of electric shock if your body is earthed or grounded.
- c. **Do not expose power tools to rain or wet conditions.** Water entering a power tool will increase the risk of electric shock.

- d. **Do not abuse the cord. Never use the cord for carrying, pulling or unplugging the power tool. Keep cord away from heat, oil, sharp edges or moving parts.** Damaged or entangled cords increase the risk of electric shock.
- e. **When operating a power tool outdoors, use an extension cord suitable for outdoor use.** Use of a cord suitable for outdoor use reduces the risk of electric shock.
- f. **If operating a power tool in a damp location is unavoidable, use a residual current device (RCD) protected supply.** Use of an RCD reduces the risk of electric shock.

#### 3. Personal safety

- a. **Stay alert, watch what you are doing and use common sense when operating a power tool. Do not use a power tool while you are tired or under the influence of drugs, alcohol or medication.** A moment of inattention while operating power tools may result in serious personal injury.
- b. **Use personal protective equipment. Always wear eye protection.** Protective equipment such as dust mask, non-skid safety shoes, hard hat, or hearing protection used for appropriate conditions will reduce personal injuries.
- c. **Prevent unintentional starting. Ensure the switch is in the off-position before connecting to power source and/or battery pack, picking up or carrying the tool.** Carrying power tools with your finger on the switch or energising power tools that have the switch on invites accidents.
- d. **Remove any adjusting key or wrench before turning the power tool on.** A wrench or a key left attached to a rotating part of the power tool may result in personal injury.
- e. **Do not overreach. Keep proper footing and balance at all times.** This enables better control of the power tool in unexpected situations.
- f. **Dress properly. Do not wear loose clothing or jewellery. Keep your hair, clothing and gloves away from moving parts.** Loose clothes, jewellery or long hair can be caught in moving parts.
- g. **If devices are provided for the connection of dust extraction and collection facilities, ensure these are connected and properly used.** Use of dust collection can reduce dust-related hazards.

#### 4. Power tool use and care

- a. **Do not force the power tool. Use the correct power tool for your application.** The correct power tool will do the job better and safer at the rate for which it was designed.
- b. **Do not use the power tool if the switch does not turn it on and off.** Any power tool that cannot be controlled with the switch is dangerous and must be repaired.

- c. **Disconnect the plug from the power source and/or the battery pack from the power tool before making any adjustments, changing accessories, or storing power tools.** Such preventive safety measures reduce the risk of starting the power tool accidentally.
  - d. **Store idle power tools out of the reach of children and do not allow persons unfamiliar with the power tool or these instructions to operate the power tool.** Power tools are dangerous in the hands of untrained users.
  - e. **Maintain power tools. Check for misalignment or binding of moving parts, breakage of parts and any other condition that may affect the power tools operation. If damaged, have the power tool repaired before use.** Many accidents are caused by poorly maintained power tools.
  - f. **Keep cutting tools sharp and clean.** Properly maintained cutting tools with sharp cutting edges are less likely to bind and are easier to control.
  - g. **Use the power tool, accessories and tool bits etc. in accordance with these instructions, taking into account the working conditions and the work to be performed.** Use of the power tool for operations different from those intended could result in a hazardous situation.
5. **Service**
- a. **Have your power tool serviced by a qualified repair person using only identical replacement parts.** This will ensure that the safety of the power tool is maintained.

### Additional power tool safety warnings



**Warning!** Safety instructions for all saws

- ◆ **Hold power tool by insulated gripping surfaces, when performing an operation where the cutting accessory may contact hidden wiring.** Cutting accessory contacting a "live" wire may make exposed metal parts of the power tool "live" and could give the operator an electric shock.
- ◆ **Use clamps or another practical way to secure and support the workpiece to a stable platform.** Holding the work by hand or against your body leaves it unstable and may lead to loss of control.
- ◆ **Keep hands away from cutting area.** Never reach underneath the work piece any reason. Do not insert fingers or thumb into the vicinity of the reciprocating blade and blade clamp. Do not stabilize the saw by gripping the shoe.
- ◆ **Keep blades sharp.** Dull or damaged blades may cause the saw to swerve or stall under pressure. Always use the appropriate type of saw blade for the workpiece material and type of cut.

- ◆ **When cutting pipe or conduit, make sure that they are free from water, electrical wiring, etc.**
- ◆ **Do not touch the workpiece or the blade immediately after operating the tool.** They can become very hot.
- ◆ **Be aware of hidden hazards, before cutting into walls, floors or ceilings, check for the location of wiring and pipes.**
- ◆ **The blade will continue to move after releasing the switch.** Always switch the tool off and wait for the saw blade to come to a complete standstill before putting the tool down.

**Warning!** Contact with, or inhalation of dusts arising from cutting applications may endanger the health of the operator and possible bystanders. Wear a dust mask specifically designed for protection against dust and fumes and ensure that persons within or entering the work area are also protected.

- ◆ The intended use is described in this instruction manual. The use of any accessory or attachment or performance of any operation with this tool other than those recommended in this instruction manual may present a risk of personal injury and/or damage to property.

### Safety of others

- ◆ This tool is not intended for use by persons (including children) with reduced physical, sensory or mental capabilities, or lack of experience and knowledge, unless they have been given supervision or instruction concerning use of the appliance by a person responsible for their safety.
- ◆ Children should be supervised to ensure that they do not play with the appliance.

### Labels on tool

The following symbols are shown on the tool:



**Warning!** To reduce the risk of injury, the user must read the instruction manual.

### Electrical safety



This tool is double insulated; therefore no earth wire is required. Always check that the power supply voltage corresponds to the voltage on the rating plate.

- ◆ If the supply cord is damaged, it must be replaced by the manufacturer or an authorised BLACK+DECKER Service Centre in order to avoid a hazard.

## Features

This tool includes some or all of the following features.

1. Variable speed switch (KS701E and KS701PE) or On/Off switch (KS501)
2. Lock-on button
3. Saw blade locking lever
4. Shoe plate
5. Dust extraction outlet (KS701E and KS701PE only)
6. Pendulum Stroke dial (KS701PE only)

## Assembly

**Warning!** Before attempting any of the following operations, make sure that the tool is switched off and unplugged and that the saw blade has stopped. Used saw blades may be hot.

### Fitting the saw blade (fig. A - KS701E and KS701PE)

- ◆ Hold the saw blade (7) as shown, with the teeth facing forward.
- ◆ Push the locking lever (3) away from the shoe plate (4).
- ◆ Insert the shank of the saw blade into the blade holder (8) as far as it will go.
- ◆ Adjust the saw blade support roller (17) as described above.
- ◆ Release the locking lever (3).

### Fitting the saw blade (fig. A - KS501)

- ◆ Before fitting or removing the saw blade (7) the saw blade support roller (17) must be adjusted to the rear position so that it does not contact the blade.
- ◆ Loosen (do not remove) the two screws. (18).
- ◆ Hold the saw blade (7) with the teeth facing forward.
- ◆ Insert the shank of the saw blade (7) into the blade holder (8) as far as it will go.
- ◆ Slightly tighten the two screws (18) alternately to position the blade, then fully tighten the two screws (18).
- ◆ Adjust the saw blade support roller (17) as described above.
- ◆ To remove the saw blade (7), turn both screws (18) one turn counterclockwise.

### Connecting a vacuum cleaner to the tool (fig. B - KS701E and KS701PE only)

- ◆ Slide the vacuum nozzle (9) into the dust extraction outlet (5).

## Residual risks

Additional residual risks may arise when using the tool which may not be included in the enclosed safety warnings. These risks can arise from misuse, prolonged use etc.

Even with the application of the relevant safety regulations and the implementation of safety devices, certain residual risks can not be avoided. These include:

- ◆ Injuries caused by touching any rotating/moving parts.
- ◆ Injuries caused when changing any parts, blades or accessories.
- ◆ Injuries caused by prolonged use of a tool. When using any tool for prolonged periods ensure you take regular breaks.
- ◆ Impairment of hearing.
- ◆ Health hazards caused by breathing dust developed when using your tool (example:- working with wood, especially oak, beech and MDF.)

## Use

### Adjusting the shoe plate for bevel cuts (fig. C)

**Warning!** Never use the tool when the shoe plate is loose or removed.

The shoe plate (4) can be set to a left or right bevel angle of 45°.

- ◆ Loosen the screws. (10) Some models have one screw.
- ◆ Pull the shoe (4) forward, rotate the shoe to the left or right and push it back into the 45° location. (KS701E and KS701PE only).
- ◆ Push the shoe (4) back, rotate to the right and pull it back into the 45° location. (KS501 only).
- ◆ Tighten the screws.

### To reset the shoe plate (4) for 90° cuts:

- ◆ Loosen the screws. (10).
- ◆ Pull the shoe (4) forward, rotate to the centre and push it back into the 0° location.
- ◆ Tighten the screws.

### Variable speed control (KS701E and KS701PE only)

- ◆ Use a high speed for wood, medium speed for aluminium and PVC and low speed for metals other than aluminium.

### Switching on and off

- ◆ To switch the tool on, press the variable speed switch (KS701E and KS701PE) or the On/Off switch (KS501) (1). On KS701E and KS107PE units the speed depends on how far you depress the switch.
- ◆ For continuous operation, press the lock-on button (2) and press the variable speed switch. This option is available only at full speed.
- ◆ To switch the tool off, release the variable speed switch. To switch the tool off, when in continuous operation,

press the variable speed or On/Off switch once more and release it.

### How to Use the Sightline® Feature (fig. D)

- ◆ Use a pencil to mark the cutting line.
- ◆ Position the jig saw over the line (11).

Viewing from directly above the jig saw, the line of cut can be followed easily.

### Cutting mode (KS701PE only)

Pendulum stroke or action provides a more aggressive blade motion and is designed for cutting soft materials such as wood or plastic. It provides a faster cut, but with a less smooth cut across the material. Your jig saw has a Pendulum Stroke dial. Use of this dial is explained in the next section.

**Note:** Never use pendulum action to cut metal.

### Pendulum Stroke dial (fig. E - KS701PE only)

The KS701PE has these four cutting modes with increasing amounts of pendulum action:

- ◆ Position **0**: metal and aluminium and sheet metal (no pendulum action).
- ◆ Position **1**: for laminates, hard wood, work tops.
- ◆ Position **2**: for plywood and PVC/Plastics.
- ◆ Position **3**: for soft wood and fast cutting

### To adjust the pendulum action:

- ◆ Rotate the Pendulum Stroke selector (6) to the required position.

### Sawing

Hold the tool firmly with both hands while cutting.

The shoe plate (4) should be held firmly against the material being cut. This will help prevent the saw from jumping, reduce vibration and minimise blade breakage.

- ◆ Let the blade run freely for a few seconds before starting the cut.
- ◆ Apply only a gentle pressure to the tool while performing the cut.

### Hints for optimum use

#### Sawing laminates

When cutting laminates, splintering may occur which can damage the presentation surface. The most common saw blades cut on the upward stroke, therefore if the shoe plate is sitting on the presentation surface either use a saw blade that cuts on the downward stroke or:

- ◆ Use a fine-tooth saw blade.
- ◆ Saw from the back surface of the workpiece.
- ◆ To minimise splintering, clamp a piece of scrap wood or hardboard to both sides of the workpiece and saw through this sandwich.

### Sawing metal

**Warning!** Do not use a vacuum when cutting metal. Metal filings will be hot and may cause fire.

Be aware that sawing metal takes much more time than sawing wood.

- ◆ Use a saw blade suitable for sawing metal.
- ◆ When cutting thin sheet metal, clamp a piece of scrap wood to the back surface of the workpiece and cut through this sandwich.
- ◆ Spread a film of oil along the intended line of cut.

### Rip Fence (KS701E and KS701PE only)

Ripping and circle cutting without a pencil line are easily done with a rip fence and circle guide (available as an optional extra - part number X43005-XJ).

### Attaching Rip Fence (figs. F & G)

- ◆ Insert rip fence (14) into the shoe plate slots with the cross bar facing down as shown in figure F.
- ◆ Place screw (15) into hole in bottom of shoe plate.
- ◆ Align clamp bar (16) over screw with lipped edge facing down and pointing towards the rear of the saw.
- ◆ Using a phillips screwdriver, run the screw into the threaded hole in the bar clamp as shown in figure G.
- ◆ Adjust to width of cut and tighten screw.

### Circle Cutting (fig. H - KS701E and KS701PE only)

- ◆ Insert rip fence into slot on the right side of shoe plate with cross bar facing up.
- ◆ Adjust rip fence so that distance from blade to hole in cross bar is the desired radius and tighten screw.
- ◆ Place saw so that centre of hole in cross bar is over centre of circle to be cut (make plunge cut, drill hole for blade or cut inward from edge of material to get blade into position).
- ◆ When saw is properly positioned, drive a small nail through hole in cross bar into exact centre of circle to be cut.
- ◆ Using rip fence as a pivot arm, begin cutting circle.

### Plunge Cutting (fig. I)

A plunge cut is an easy method of making an inside cut. The saw can be inserted directly into a panel or board without first drilling a lead or pilot hole. In plunge cutting, measure the surface to be cut and mark clearly with a pencil. Next tip the saw forward until the front end of the shoe sits firmly on the work surface and the blade clears the work through its full stroke. Switch the tool on and allow it to attain maximum speed. Grip the saw firmly and lower the back edge of tool slowly until the blade reaches its complete depth. Hold the shoe flat against the wood and begin cutting. Do not remove blade from cut while it is still moving. Blade must come to a complete stop.

## Maintenance

Your BLACK+DECKER tool has been designed to operate over a long period of time with a minimum of maintenance. Continuous satisfactory operation depends upon proper tool care and regular cleaning.

- ◆ Regularly clean the ventilation slots in your tool using a soft brush or dry cloth.
- ◆ Regularly clean the motor housing using a damp cloth. Do not use any abrasive or solvent-based cleaner. Never let any liquid get inside the tool and never immerse any part of the tool into liquid.

## Protecting the environment



Separate collection. This product must not be disposed of with normal household waste.

Should you find one day that your BLACK+DECKER product needs replacement, or if it is of no further use to you, do not dispose of it with household waste. Make this product available for separate collection.



Separate collection of used products and packaging allows materials to be recycled and used again. Re-use of recycled materials helps prevent environmental pollution and reduces the demand for raw materials.

Local regulations may provide for separate collection of electrical products from the household, at municipal waste sites or by the retailer when you purchase a new product.

BLACK+DECKER provides a facility for the collection and recycling of BLACK+DECKER products once they have reached the end of their working life. To take advantage of this service please return your product to any authorised repair agent who will collect them on our behalf.

You can check the location of your nearest authorised repair agent by contacting your local BLACK+DECKER office at the address indicated in this manual. Alternatively, a list of authorised BLACK+DECKER repair agents and full details of our after-sales service and contacts are available on the Internet at: [www.2helpU.com](http://www.2helpU.com)

## Service Information

Black & Decker offers a full network of company-owned and authorized service locations throughout Asia. All Black & Decker Service Centers are staffed with trained personnel to provide customers with efficient and reliable product service.

Whether you need technical advice, repair, or genuine factory replacement parts, contact the Black & Decker location nearest to you.

## NOTE

- ◆ Black & Decker's policy is one of continuous improvement to our products and, as such, we reserve the right to change product specifications without prior notice.
- ◆ Standard equipment and accessories may vary by country.
- ◆ Product specifications may differ by country.
- ◆ Complete product range may not be available in all countries. Contact your local Black & Decker dealers for range availability.



Data teknis

	KS501	KS701E	KS701PE
Voltase input	220-240V	220-240V	220-240V
Kecepatan tanpa beban	3.000 min <sup>-1</sup>	0-3.000 min <sup>-1</sup>	0-3.000 min <sup>-1</sup>
Kedalaman pemotongan			
maks. Kayu	65mm	70mm	70mm
Baja	5mm	5mm	5mm
Logam	10mm	15mm	15mm
Berat	1,3 kg	1,6 kg	1,7kg

Tujuan penggunaan

Gergaji ukir BLACK+DECKER Anda dirancang untuk menggergaji kayu, plastik, dan logam. Alat ini hanya ditujukan untuk penggunaan non-profesional.

Petunjuk keselamatan

Peringatan umum untuk keselamatan perkakas listrik



**PERINGATAN!** Baca seluruh peringatan keselamatan dan seluruh petunjuk. Kegagalan mengikuti peringatan dan petunjuk yang tercantum di bawah ini dapat mengakibatkan sengatan listrik, kebakaran, dan/atau cedera berat.

Simpan semua peringatan dan petunjuk untuk referensi di masa mendatang.

Istilah "perkakas listrik" dalam seluruh peringatan yang tercantum di bawah ini merujuk pada perkakas listrik bertenaga listrik (berkabel) atau perkakas listrik bertenaga baterai (nirkabel) Anda.

1. Keselamatan area kerja

- a. **Jaga agar area kerja tetap bersih dan terang.** Area yang berantakan atau gelap berpotensi mengakibatkan kecelakaan.
- b. **Jangan mengoperasikan perkakas listrik ini di lingkungan yang mudah menimbulkan bahaya ledakan, seperti di tempat yang terdapat cairan, gas, atau debu yang mudah terbakar.** Perkakas listrik menimbulkan percikan api yang dapat menyulut debu atau uap.
- c. **Jauhkan anak-anak dan orang yang berada di sekitar, sewaktu mengoperasikan perkakas listrik.** Gangguan dapat menyebabkan Anda kehilangan kendali.

2. Keselamatan kelistrikan

- a. **Steker perkakas listrik harus sesuai dengan soketnya. Jangan pernah memodifikasi steker dengan cara apa pun.** Jangan gunakan steker adaptor apa pun dengan perkakas listrik yang dibumikan (grounded). Steker yang tidak dimodifikasi dan stopkontak yang sesuai akan mengurangi risiko sengatan listrik.

- b. **Hindari kontak badan dengan permukaan yang dibumikan (grounded), seperti pipa, radiator, kompor, dan kulkas.** Risiko sengatan listrik dapat meningkat jika tubuh Anda bersentuhan dengan permukaan yang dibumikan.
- c. **Jangan sampai perkakas listrik ini terkena hujan atau terpapar ke kondisi yang basah.** Air yang masuk ke perkakas listrik akan meningkatkan risiko sengatan listrik.
- d. **Jangan menyalahgunakan kabel. Jangan sekali-kali menggunakan kabel untuk membawa, menarik, atau mencabut perkakas listrik.** Jauhkan kabel dari panas, minyak, tepi tajam, atau komponen yang bergerak. Kabel yang rusak atau terbelit meningkatkan risiko sengatan listrik.
- e. **Bila mengoperasikan perkakas listrik di luar ruangan, gunakan kabel sambungan yang sesuai untuk penggunaan di luar ruangan.** Menggunakan kabel yang sesuai untuk penggunaan di luar ruangan akan mengurangi risiko sengatan listrik.
- f. **Jika penggunaan perkakas listrik di lokasi yang lembab tidak dapat dihindari, gunakan suplai yang terlindungi oleh perangkat arus sisa (RCD).** Penggunaan RCD akan mengurangi risiko sengatan listrik.

3. Keselamatan diri

- a. **Tetap waspada, perhatikan apa yang Anda kerjakan dan gunakan akal sehat saat mengoperasikan perkakas listrik.** Jangan mengoperasikan perkakas listrik bila Anda sedang lelah, atau berada di bawah pengaruh obat, alkohol, atau pengobatan. Kelengahan sesaat saja saat mengoperasikan perkakas listrik dapat mengakibatkan cedera diri serius.
- b. **Gunakan peralatan pelindung diri. Selalu kenakan alat pelindung mata.** Peralatan pelindung, seperti masker debu, sepatu keselamatan antiselip, helm proyek, atau pelindung telinga yang digunakan untuk kondisi yang sesuai akan mengurangi risiko cedera diri.
- c. **Hindari menyalakan alat tanpa disengaja. Pastikan bahwa sakelar sudah dalam posisi mati sebelum menghubungkannya ke sumber listrik dan/atau baterai, mengambil, atau membawa alat.** Membawa perkakas listrik dengan jari Anda masih menempel pada tombol atau menghidupkan perkakas listrik yang tombolnya masih menyala akan berpotensi mengakibatkan kecelakaan.
- d. **Lepaskan semua kunci setelah atau kunci pas sebelum menghidupkan perkakas listrik.** Kunci pas atau kunci yang dibiarkan terpasang pada komponen perkakas listrik yang berputar dapat mengakibatkan cedera diri.
- e. **Jangan menjangkau melampaui batas.** Selalu jaga pijakan dan keseimbangan yang baik. Hal ini memungkinkan Anda untuk mengendalikan perkakas listrik secara lebih baik dalam situasi yang tidak terduga.
- f. **Kenakan pakaian yang sesuai. Jangan mengenakan pakaian longgar atau perhiasan. Jauhkan rambut, pakaian dan sarung tangan dari komponen yang bergerak.** Pakaian yang longgar,

perhiasan atau rambut panjang dapat tersangkut pada komponen yang bergerak.

- g. **Jika disediakan perangkat untuk sambungan fasilitas pengeluaran dan pengumpulan debu, pastikan alat ini dihubungkan dan digunakan dengan sesuai.** Penggunaan alat pengumpul debu dapat mengurangi bahaya yang ditimbulkan oleh debu.

**4. Penggunaan dan pemeliharaan perkakas listrik**

- a. **Jangan menggunakan perkakas listrik dengan paksa. Gunakan perkakas listrik yang sesuai untuk aplikasi Anda.** Perkakas listrik yang tepat akan bekerja lebih baik dan aman pada tingkat kelajuan yang telah dirancang untuk alat itu.
- b. **Jangan gunakan perkakas listrik ini jika sakelar tidak dapat menghidupkan dan mematikan alat.** Perkakas listrik apa pun yang tidak dapat dikendalikan dengan tombol adalah berbahaya dan harus diperbaiki.
- c. **Lepaskan stopkontak dari sumber listrik dan/atau baterai dari perkakas listrik sebelum melakukan penyetulan apa pun, mengganti aksesoris, atau menyimpan perkakas listrik.** Tindakan pencegahan untuk keselamatan seperti itu akan mengurangi risiko menyalakan perkakas listrik secara tidak disengaja.
- d. **Simpan perkakas listrik yang tidak digunakan jauh dari jangkauan anak-anak, dan jangan membolehkan orang yang tidak memahami perkakas listrik atau petunjuk ini untuk mengoperasikannya.** Perkakas listrik dapat berbahaya bila digunakan oleh pengguna yang tidak terlatih.
- e. **Rawat perkakas listrik. Lakukan pemeriksaan untuk mengetahui apakah ada komponen bergerak yang tidak sejajar atau bengkok, komponen yang patah, dan kondisi lainnya yang dapat memengaruhi pengoperasian perkakas listrik.** Jika rusak, perbaiki perkakas listrik sebelum digunakan. Banyak terjadi kecelakaan akibat perkakas listrik yang tidak dirawat dengan baik.
- f. **Jaga ketajaman dan kebersihan alat pemotong.** Alat pemotong yang dirawat dengan baik dengan mata potong yang tajam akan kecil kemungkinannya untuk macet serta lebih mudah untuk dikendalikan.
- g. **Gunakan perkakas listrik, aksesoris, mata bor, dsb, sesuai petunjuk ini, dengan memperhitungkan persyaratan kerja dan jenis pekerjaan yang harus dilakukan.** Penggunaan perkakas listrik untuk pengoperasian yang tidak sesuai dengan tujuan penggunaan dapat mengakibatkan situasi yang berbahaya.

**5. Servis**

- a. **Perkakas listrik sebaiknya diservis oleh teknisi yang berkualifikasi dan hanya menggunakan komponen pengganti yang persis sama.** Hal ini akan membuat keamanan perkakas listrik selalu terjaga.

**Peringatan tambahan untuk keamanan perkakas listrik**



**Peringatan!** Petunjuk keselamatan untuk semua jenis gergaji

- ◆ **Pegang perkakas listrik pada permukaan pegangan berpenyekor saat melakukan pengoperasian di mana aksesoris pemotong dapat bersentuhan dengan kabel tersembunyi.** Aksesoris pemotong yang bersentuhan dengan kabel bertegangan listrik dapat mengalirkan arus listrik pada komponen logam perkakas listrik dan mengakibatkan sengatan listrik pada pengguna.
- ◆ **Gunakan penjepit atau cara praktis lain untuk mengencangkan dan menyangga benda kerja di permukaan yang stabil.** Memegang benda dengan tangan atau disandarkan pada tubuh Anda akan membuatnya tidak stabil dan dapat mengakibatkan hilangnya kendali.
- ◆ **Jauhkan tangan dari area pemotongan.** Jangan pernah menjangkau ke bawah benda kerja dengan tujuan apa pun. Jangan memasukkan jari atau jempol ke sekitar pisau gergaji dan penjepit pisau gergaji yang bergerak maju mundur. Jangan menstabilkan gergaji dengan memegang bantalan gergaji.
- ◆ **Jaga agar pisau gergaji tetap tajam.** Pisau gergaji yang tumpul atau rusak dapat menyebabkan gergaji melenceng atau berhenti di bawah tekanan. Selalu gunakan jenis pisau gergaji yang sesuai untuk material benda kerja dan jenis pemotongan.
- ◆ **Ketika memotong pipa atau saluran, pastikan bahwa semuanya bebas dari air, kabel listrik, dll.**
- ◆ **Jangan sentuh benda kerja atau pisau gergaji segera setelah selesai mengoperasikan alat.** Keduanya bisa jadi sangat panas.
- ◆ **Waspadalah terhadap bahaya yang tersembunyi, sebelum memotong tembok, lantai, atau langit-langit, periksa dulu penempatan kabel dan pipa.**
- ◆ **Pisau gergaji akan terus bergerak setelah sakelar dilepas.** Selalu matikan alat dan tunggu pisau gergaji untuk berhenti sepenuhnya sebelum meletakkan alat ini.

**Peringatan!** Kontak atau penghirupan debu yang ditimbulkan oleh aplikasi pemotongan dapat membahayakan kesehatan pengguna dan orang-orang yang mungkin ada di sekitarnya. Pakai masker debu yang dirancang secara khusus untuk melindungi terhadap debu dan uap, dan pastikan bahwa orang yang berada di dalam area yang memasuki area kerja juga terlindungi.

- ◆ Tujuan penggunaan dijelaskan dalam panduan pengguna ini. Menggunakan aksesoris atau peralatan tambahan, maupun mengoperasikan alat ini dengan cara yang tidak sesuai dengan yang disarankan dalam panduan pengguna ini dapat menimbulkan risiko cedera tubuh dan/atau kerusakan benda-benda milik pribadi.

**Keselamatan orang lain**

- ◆ Alat ini tidak ditujukan untuk digunakan oleh orang (termasuk anak-anak) dengan keterbatasan kemampuan fisik, sensor, maupun mental, atau kurang pengalaman maupun pengetahuan, kecuali jika dibawah pengawasan atau menerima petunjuk tentang penggunaan peralatan oleh orang yang bertanggung jawab atas keselamatan mereka.
- ◆ Anak-anak harus diawasi untuk memastikan agar mereka tidak bermain-main dengan peralatan ini.

## Label pada alat

Simbol-simbol berikut ini tertulis pada alat:



**Peringatan!** Untuk mengurangi risiko cedera, pengguna harus membaca buku petunjuk.

## Keselamatan kelistrikan



Alat ini berisolasi ganda; sehingga kabel arde (ground) tidak diperlukan. Selalu periksa apakah voltase catu daya sesuai dengan nilai tegangan yang tercantum pada papan nilai.

- ◆ Jika rusak, kabel daya harus diganti oleh produsen atau Pusat Layanan BLACK+DECKER resmi guna menghindari terjadinya bahaya.

## Fitur-Fitur

Alat ini memiliki beberapa atau semua fitur berikut ini.

1. Sakelar kecepatan variabel (KS701E dan KS701PE) atau Sakelar On/Off (KS501)
2. Tombol pengunci
3. Tuas pengunci pisau gergaji
4. Pelat bantalan
5. Soket pengeluaran debu (khusus KS701E dan KS701PE)
6. Pemutar gaya pendulum (khusus KS701PE)

## Perakitan

**Peringatan!** Sebelum mencoba melakukan salah satu pengoperasian berikut, pastikan bahwa alat dimatikan dan dicabut dan pisau gergaji telah berhenti. Mata gergaji yang sudah digunakan dapat menjadi panas.

## Memasang pisau gergaji (gbr. A - KS701E dan KS701PE)

- ◆ Pegang pisau gergaji (7) seperti yang ditunjukkan, dengan gigi menghadap ke depan.
- ◆ Dorong keluar tuas pengunci (3) dari pelat bantalan (4).
- ◆ Masukkan batang pisau gergaji ke dalam penahan pisau (8) sejauh mungkin.
- ◆ Sesuaikan rol dudukan pisau gergaji (17) seperti yang dijelaskan di atas.
- ◆ Lepaskan tuas pengunci (3).

## Memasang pisau gergaji (gbr. A - KS501)

- ◆ Sebelum memasang atau melepas pisau gergaji (7) rol dudukan pisau gergaji (17) harus disesuaikan dengan posisi belakang sehingga tidak menyentuh pisau.

- ◆ Kendurkan (jangan melepaskan) kedua sekrup. (18).
- ◆ Pegang pisau gergaji (7) dengan gigi menghadap ke depan.
- ◆ Masukkan batang pisau gergaji (7) ke dalam penahan pisau (8) sejauh mungkin.
- ◆ Sedikit kencangkan kedua baut (18) bergantian untuk memosisikan pisau, kemudian kencangkan sepenuhnya kedua baut tersebut (18).
- ◆ Sesuaikan rol dudukan pisau gergaji (17) seperti yang dijelaskan di atas.
- ◆ Untuk melepas pisau gergaji (7), putar kedua sekrup dengan salah-satunya diputar berlawanan jarum jam.

## Menghubungkan vacuum cleaner ke alat (gbr. B - khusus KS701E dan KS701PE)

- ◆ Geser nosel vakum (9) ke lubang pengeluaran debu (5).

## Resiko-resiko lain

Resiko-resiko lain dapat timbul saat menggunakan alat, yang mungkin tidak tercantum dalam peringatan keselamatan yang disertakan. Resiko-resiko ini dapat diakibatkan oleh penyalahgunaan, penggunaan yang terlalu lama, dsb.

Sekalipun peraturan keselamatan terkait sudah diterapkan dan peralatan pengaman sudah digunakan, resiko-resiko lain tertentu tidak dapat dihindari. Ini meliputi:

- ◆ Cedera yang diakibatkan karena menyentuh komponen yang berputar/bergerak.
- ◆ Cedera yang terjadi saat mengganti komponen, pemotong, atau aksesoris.
- ◆ Cedera yang diakibatkan karena penggunaan alat untuk waktu lama. Jika menggunakan alat apa pun untuk waktu yang lama, pastikan Anda mengistirahatkannya secara berkala.
- ◆ Kerusakan indera pendengaran.
- ◆ Bahaya kesehatan yang disebabkan oleh menghirup debu yang ditimbulkan oleh penggunaan alat (contoh: mengampelas kayu, khususnya kayu oak, beech, dan MDF).

## Penggunaan

### Menyesuaikan pelat bantalan untuk pemotongan siku (gbr. C)

**Peringatan!** Jangan pernah menggunakan alat ini dengan kondisi pelat bantalan yang longgar atau lepas.

Pelat bantalan (4) dapat diatur ke sudut siku kiri atau kanan hingga 45°.

- ◆ Kendurkan sekrup. (10) Beberapa model memiliki satu sekrup.
- ◆ Tarik bantalan (4) ke depan, putar bantalan ke kiri atau kanan dan dorong kembali ke lokasi 45°. (Khusus KS701E dan KS701PE).
- ◆ Dorong bantalan (4) ke belakang, putar bantalan ke kanan dan tarik kembali ke lokasi 45°. (Khusus KS501).
- ◆ Kencangkan sekrup.

#### Untuk mengatur ulang pelat bantalan (4) untuk pemotongan 90°:

- ◆ Kendurkan sekrup. (10).
- ◆ Tarik bantalan (4) ke depan, putar bantalan ke tengah dan dorong kembali ke lokasi 0°.
- ◆ Kencangkan sekrup.

#### Kontrol kecepatan variabel (Khusus KS701E dan KS701PE)

- ◆ Gunakan kecepatan tinggi untuk kayu, kecepatan sedang untuk aluminium dan PVC, dan kecepatan rendah untuk logam selain aluminium.

#### Menyalakan dan mematikan

- ◆ Untuk menyalakan alat, tekan sakelar kecepatan variabel (KS701E dan KS701PE) atau sakelar On/Off (KS501) (1). Pada unit KS701E dan KS107PE, kecepatan tergantung pada seberapa dalam Anda menekan sakelar.
- ◆ Untuk pengoperasian yang terus-menerus, tekan tombol pengunci (2), lalu tekan sakelar kecepatan variabel. Pilihan ini tersedia hanya bila digunakan pada kecepatan tinggi.
- ◆ Untuk mematikan alat, lepas sakelar kecepatan variabel. Untuk mematikan alat saat dalam pengoperasian yang terus menerus, tekan sakelar kecepatan variabel atau sakelar On/Off sekali lagi dan lepaskan.

#### Cara Menggunakan Fitur Sightline® (gbr. D)

- ◆ Gunakan pensil untuk menandai garis pemotongan.
- ◆ Posisikan gergaji ukir di atas garis (11).

Dengan melihat langsung dari atas gergaji ukir, garis potong dapat diikuti dengan mudah.

#### Mode pemotongan (Khusus KS701PE)

Tindakan atau gaya pendulum memberikan gerakan pisau yang lebih agresif dan dirancang untuk memotong

material lunak seperti kayu atau plastik. Tindakan atau gaya pendulum memberikan pemotongan yang lebih cepat, tapi dengan pemotongan yang kurang halus di seluruh material. Gergaji ukir Anda memiliki pemutar Gaya Pendulum.

Penggunaan pemutar ini dijelaskan di bagian berikutnya.

**Catatan:** Jangan pernah menggunakan tindakan pendulum untuk memotong logam.

#### Pemutar Gaya Pendulum (gbr. E - khusus KS701PE)

KS701PE memiliki empat mode pemotongan ini dengan jumlah tindakan pendulum tambahan:

- ◆ **Posisi 0:** logam dan aluminium dan logam lembaran (tidak ada tindakan pendulum).
- ◆ **Posisi 1:** untuk laminasi, kayu keras, permukaan datar.
- ◆ **Posisi 2:** untuk triplek dan PVC/Plastik.
- ◆ **Posisi 3:** untuk kayu lunak dan pemotongan cepat

#### Untuk menyesuaikan tindakan pendulum:

- ◆ Putar pemilih Gaya Pendulum (6) ke posisi yang dibutuhkan.

#### Menggergaji

Pegang alat erat-erat dengan kedua tangan saat memotong.

Pelat bantalan (4) harus dipegang erat terhadap material yang sedang dipotong. Ini agar gergaji tidak meloncat atau bergoyang dan meminimalkan kerusakan pisau gergaji.

- ◆ Biarkan pisau bergerak bebas beberapa detik sebelum mulai memotong.
- ◆ Gunakan tekanan ringan pada alat pada saat melakukan pemotongan.

#### Petunjuk untuk penggunaan secara optimal

##### Penggergajian laminasi

Saat memotong laminasi, dapat terjadi pecah yang dapat merusak permukaan presentasi. Pisau gergaji paling umum memotong dengan gaya ke atas, sehingga jika pelat bantalan berada di permukaan presentasi, gunakan pisau gergaji yang memotong dengan gaya ke bawah atau:

- ◆ Gunakan pisau gergaji dengan gerigi yang halus.
- ◆ Lakukan penggergajian dari permukaan belakang benda kerja.

- ◆ Untuk meminimalkan serpihan, sisipkan sebatang kayu sisa atau kardus ke kedua sisi benda kerja dan lakukan penggergajian melalui tumpukan ini.

**Penggergajian logam**

**Peringatan!** Jangan gunakan vakum saat memotong logam. Serbuk logam akan panas dan dapat menyebabkan kebakaran.

Perlu diketahui bahwa penggergajian logam membutuhkan lebih banyak waktu daripada penggergajian kayu.

- ◆ Gunakan pisau gergaji yang sesuai untuk penggergajian logam.
- ◆ Ketika memotong logam lembaran, sisipkan sebatang kayu sisa ke permukaan belakang benda kerja dan lakukan pemotongan melalui tumpukan ini.
- ◆ Oleskan lapisan tipis oli di sepanjang garis pemotongan yang diinginkan.

**Pembatas Robekan (Khusus KS701E dan KS701PE)**

Pemotongan robekan dan lingkaran tanpa garis pensil mudah dilakukan dengan pembatas robekan dan pemandu lingkaran (tersedia dengan biaya tambahan - nomor komponen X43005-XJ).

**Memasang Pembatas Robekan (gbr. F & G)**

- ◆ Masukkan pembatas robekan (14) ke dalam lubang pelat bantalan dengan batang silang menghadap ke bawah seperti pada gambar F.
- ◆ Pasang sekrup (15) ke dalam lubang di bagian dasar pelat bantalan.
- ◆ Sejajarkan batang penjepit (16) melalui sekrup dengan tepi berbibir menghadap ke bawah dan mengarah pada bagian belakang gergaji.
- ◆ Menggunakan obeng Phillips, jalankan sekrup ke dalam lubang berulir di batang penjepit seperti pada gambar G.
- ◆ Sesuaikan dengan lebar potong dan kencangkan sekrup.

**Pemotongan Melingkar (gbr. Khusus H - KS701E dan KS701PE)**

- ◆ Masukkan pembatas robekan ke dalam lubang di sisi kanan pelat bantalan dengan batang silang menghadap ke atas.
- ◆ Atur pembatas robekan sehingga jarak dari pisau gergaji ke lubang di batang silang berada pada radius yang diinginkan, lalu kencangkan sekrup.
- ◆ Tempatkan gergaji sehingga bagian tengah lubang di batang silang berada di atas pusat lingkaran yang

akan dipotong (lakukan potongan tengah, pengeboran lubang untuk pisau gergaji atau potong ke dalam dari tepi material agar pisau gergaji mendapatkan posisinya).

- ◆ Ketika gergaji telah diposisikan dengan benar, dorong paku kecil melalui lubang di batang silang bar tepat ke tengah lingkaran persis untuk dipotong.
- ◆ Dengan menggunakan pembatas robekan sebagai lengan poros, mulailah pemotongan lingkaran.

**Pemotongan Tengah (gbr. I)**


Pemotongan tengah adalah metode yang mudah untuk membuat potongan ke dalam. Gergaji dapat dimasukkan langsung ke dalam panel atau papan tanpa terlebih dahulu mengebor timbal atau lubang contoh. Pada pemotongan tengah, ukur permukaan yang akan dipotong dan tandai dengan jelas menggunakan pensil. Berikutnya, majukan ujung gergaji sampai ujung depan bantalan menempel kuat pada permukaan kerja dan pisaunya menyelesaikan pekerjaan melalui gaya penuhnya dengan kekuatan penum. Nyalakan alat dan tunggu sampai mencapai kecepatan maksimum. Pegang gergaji erat-erat dan turunkan tepi belakang alat perlahan-lahan sampai pisau benar-benar mencapai keseluruhan kedalamannya. Pegang bagian dasar bantalan terhadap kayu dan mulailah memotong. Jangan keluarkan pisau dari potongan sementara pisau masih bergerak. Pisau harus benar-benar berhenti.

**Pemeliharaan**

Alat BLACK+DECKER Anda telah dirancang untuk beroperasi pada periode waktu yang lama dengan perawatan minimum. Pengoperasian yang memuaskan secara terus-menerus bergantung pada cara pemeliharaan yang benar dan pembersihan alat secara teratur.

- ◆ Bersihkan celah-celah ventilasi dalam alat Anda secara teratur menggunakan sikat lembut atau kain kering.
- ◆ Bersihkan kerangka mesin secara teratur menggunakan kain bersih yang lembab. Jangan gunakan bahan pembersih abrasif atau pembersih berbahan dasar larutan apa pun. Jangan sampai bagian dalam alat kemasukan air, dan jangan pernah merendam komponen alat yang manapun ke dalam cairan.

**Melindungi lingkungan**

 Pengumpulan terpisah. Produk ini tidak boleh dibuang bersama limbah rumah tangga biasa.

Jika produk BLACK+DECKER Anda perlu diganti, atau tidak lagi digunakan, jangan buang bersama sampah rumah tangga. Pisahkan pembuangan produk ini.



Pengumpulan produk dan kemasan bekas secara terpisah memungkinkan material untuk didaur ulang dan digunakan lagi. Penggunaan kembali bahan yang didaur ulang membantu mencegah pencemaran lingkungan dan mengurangi permintaan kebutuhan bahan baku.

Undang-undang setempat mungkin memfasilitasi pengumpulan produk-produk kelistrikan terpisah dari sampah rumah tangga, di tempat pembuangan sampah kota atau oleh pedagang ritel pada saat Anda membeli produk baru.

BLACK+DECKER menyediakan fasilitas untuk pengumpulan dan daur ulang produk Black & Decker yang telah mencapai akhir masa pakainya. Untuk memanfaatkan layanan ini, harap kembalikan produk Anda kepada agen reparasi resmi yang akan mengumpulkannya atas nama kami.

Anda dapat menemukan lokasi agen reparasi resmi terdekat dengan Anda dengan menghubungi kantor BLACK+DECKER setempat Anda di alamat yang tercantum pada buku petunjuk ini. Cara lainnya, daftar agen perbaikan BLACK+DECKER resmi serta informasi terperinci layanan purnajual dan kontak kami tersedia di Internet di: [www.2helpU.com](http://www.2helpU.com)

### Informasi Servis

Black & Decker menawarkan jaringan lengkap milik perusahaan dan lokasi servis resmi di seluruh Asia. Semua Pusat Servis Black & Decker memiliki staf terlatih agar dapat memberikan layanan produk yang efisien dan andal kepada konsumen.

Bila Anda membutuhkan saran teknis, perbaikan, atau suku cadang pengganti asli pabrik, hubungi lokasi Black & Decker terdekat.

### CATATAN

- ◆ Black & Decker memiliki kebijakan untuk terus meningkatkan produk dan karenanya, kami berhak mengubah spesifikasi produk tanpa pemberitahuan sebelumnya.

- ◆ Perlengkapan dan aksesoris standar mungkin akan berbeda menurut negara.
- ◆ Spesifikasi produk mungkin akan berbeda menurut negara.
- ◆ Pilihan produk lengkap mungkin tidak tersedia di semua negara. Untuk mengetahui ketersediaan produk, hubungi dealer Black & Decker setempat Anda.

## ข้อมูลทางเทคนิค

	KS501	KS701E	KS701PE
แรงดันไฟฟ้า	220-240V	220-240V	220-240V
ความเร็วขณะไม่มีโหลด	3,000 min <sup>-1</sup>	0-3,000 min <sup>-1</sup>	0-3,000 min <sup>-1</sup>
ความลึกสูงสุดของการตัด			
ไม้	65 มม.	70 มม.	70 มม.
เหล็ก	5 มม.	5 มม.	5 มม.
โลหะ	10 มม.	15 มม.	15 มม.
น้ำหนัก	1.3 กก.	1.6 กก.	1.7 กก.

## วัตถุประสงค์ในการใช้งาน

เลื่อยฉลไฟฟ้า Black & Decker ของคุณได้รับการออกแบบมาสำหรับการเลื่อยไม้ พลาสติค และแผ่นโลหะ เครื่องมือนี้มีวัตถุประสงค์เพื่อการใช้งานภายในบ้านเท่านั้น

## ข้อปฏิบัติเพื่อความปลอดภัย

## คำเตือนเพื่อความปลอดภัยทั่วไปสำหรับการใช้เครื่องมือไฟฟ้า



**คำเตือน!** โปรดอ่านคำเตือนและข้อปฏิบัติเพื่อความปลอดภัยทั้งหมด การไม่ปฏิบัติตามคำเตือนและข้อปฏิบัติเหล่านี้ อาจทำให้ถูกไฟฟ้าช็อต เกิดเพลิงไหม้ และ/หรือบาดเจ็บสาหัสได้

## โปรดรักษาราคาเตือนและข้อปฏิบัติทั้งหมดนี้ไว้เพื่อการอ้างอิงในภายหลัง

คำว่า "เครื่องมือไฟฟ้า" ในคำเตือนทั้งหมดที่แสดงไว้ข้างล่าง หมายถึง เครื่องมือไฟฟ้า (แบบมีสาย) ที่ทำงานด้วยแหล่งจ่ายไฟหลัก หรือเครื่องมือไฟฟ้า (แบบไร้สาย) ที่ทำงานด้วยแบตเตอรี่

## 1. ความปลอดภัยในบริเวณที่ทำงาน

- รักษาความสะอาดและจัดให้มีแสงสว่างเพียงพอในบริเวณที่ทำงาน บริเวณที่มีหรือมีของวางระเกะระกะอาจทำให้เกิดอุบัติเหตุได้
- ห้ามใช้เครื่องมือไฟฟ้าในบริเวณที่อาจเกิดการระเบิด เช่น เมื่อมีช่องเหลวไวไฟ แก๊ส หรือฝุ่นละออง เครื่องมือไฟฟ้าจะทำให้เกิดประกายไฟที่อาจทำให้เกิดละอองไฟหรือเปลวไฟขึ้นได้
- ระวังไม่ให้เด็กเล็กและคนเดินผ่านไปมาเข้าใกล้ในขณะที่ใช้งานเครื่องมือไฟฟ้า สิ่งรบกวนอาจทำให้คุณเสียสมาธิได้

## 2. ความปลอดภัยทางไฟฟ้า

- ปลั๊กไฟของเครื่องต้องเป็นชนิดเดียวกับตัวรับ ห้ามตัดแปลงปลั๊กไม่ว่าด้วยวิธีใด ห้ามใช้ปลั๊กอะแดปเตอร์ใดๆ กับเครื่องมือไฟฟ้าที่ต่อสายดิน (ลงกราวด์) ปลั๊กที่ไม่มีการตัดแปลงและตัวรับชนิดเดียวกันจะช่วยลดความเสี่ยงจากการเกิดไฟฟ้าช็อต
- หลีกเลี่ยงการสัมผัสพื้นผิวที่ต่อสายดินหรือลงกราวด์ เช่น ท่อหม้อน้ำ เตาอบต้ม และตู้เย็น มีความเสี่ยงเพิ่มขึ้นที่จะเกิดไฟฟ้าช็อตหากร่างกายเป็นสื่อเชื่อมต่อลงดินหรือลงกราวด์

- อย่าให้เครื่องมือไฟฟ้าถูกฝนหรือเปียกน้ำ นำเข้าเครื่องมื่อไฟฟ้าเพื่อเพิ่มความเสี่ยงในการเกิดไฟฟ้าช็อต
- ห้ามใช้สายไฟผิดวัตถุประสงค์ นำมาใช้สายไฟเพื่อการหิ้ว ดึง หรือถอดปลั๊กเครื่องมือไฟฟ้า เก็บสายไฟให้พ้นจากความร้อน น้ำมัน ของมีคม หรือ ชิ้นส่วนที่กำลังเคลื่อนที่ สายไฟที่ชำรุดหรือพันกันเป็นการเพิ่มความเสี่ยงจากการถูกไฟฟ้าช็อต
- เมื่อใช้เครื่องมือไฟฟ้านอกอาคาร ให้ใช้สายต่อพ่วงที่เหมาะสมสำหรับการใช้งานนอกอาคาร การใช้สายไฟที่เหมาะสมสำหรับการใช้งานนอกอาคารจะช่วยลดความเสี่ยงจากการเกิดไฟฟ้าช็อต
- หากไม่สามารถหลีกเลี่ยงการใช้เครื่องมือไฟฟ้าในบริเวณที่ชื้นและได้ ให้ใช้อุปกรณ์ป้องกันไฟดูด (RCD) การใช้ RCD จะเป็นการลดความเสี่ยงจากการถูกไฟฟ้าช็อต

## 3. ความปลอดภัยส่วนบุคคล

- ต้นตอและมีสมาธิกับสิ่งที่คุณกำลังทำ รวมทั้งใช้สามัญสำนึก ในขณะที่กำลังใช้งานเครื่องมือไฟฟ้า ห้ามใช้เครื่องมือไฟฟ้าในขณะที่คุณกำลังเหนื่อยหรือได้รับอิทธิพลจากยา แอลกอฮอล์ หรือการรักษาร่างกายอย่าง การขาดความระมัดระวังในการใช้เครื่องมือไฟฟ้าแม้ชั่วขณะหนึ่งอาจทำให้บาดเจ็บสาหัสได้
- ใช้อุปกรณ์คุ้มครองความปลอดภัยส่วนบุคคล สวมอุปกรณ์ป้องกันดวงตาเสมอ อุปกรณ์ป้องกัน เช่น หน้ากากกันฝุ่น รองเท้านิรภัยกันสั่น หมวกนิรภัย หรืออุปกรณ์ป้องกันเสียงดังสำหรับสภาพที่เหมาะสมจะช่วยลดอาการบาดเจ็บทางร่างกาย
- ป้องกันเครื่องเปิดทำงานโดยไม่ตั้งใจ สวิตช์ต้องอยู่ในตำแหน่งปิดก่อนที่จะเสียบปลั๊กเข้ากับแหล่งจ่ายไฟ และ/หรือชุดแบตเตอรี่ หรือก่อนจะยกหรือหิ้วเครื่องมือ การยกเครื่องมือไฟฟ้าในขณะที่มีมือจับสวิตช์ หรือใช้เครื่องมือไฟฟ้าที่สวิตช์เปิดอยู่ อาจทำให้เกิดอุบัติเหตุได้
- ถอดกุญแจปรับตั้งหรือปรับแรงจลก่อนเปิดสวิตช์เครื่องมือไฟฟ้า ประแจหรือกุญแจที่เสียบค้างอยู่ในชิ้นส่วนที่หมุนได้ของเครื่องมือไฟฟ้าอาจทำให้ได้รับบาดเจ็บได้
- ห้ามยื่นเขมือเข้าขณะใช้เครื่อง ควรยืนในท่าที่เหมาะสมและสมดุลตลอดเวลา เพื่อช่วยในการควบคุมเครื่องมือไฟฟ้าได้ดียิ่งขึ้น ในสถานการณ์ที่ไม่คาดคิด
- แต่งกายให้เหมาะสม ห้ามสวมเสื้อผ้าหลวมหรือใส่เครื่องประดับ รวมหม ขาวยืด และถุงมือให้ห่างจากชิ้นส่วนที่กำลังหมุน เสื้อผ้าที่หลวมหรือยาวรวม เครื่องประดับ หรือหมที่ยาวอาจเข้าไปพันกับชิ้นส่วนที่กำลังหมุน
- หากมีอุปกรณ์สำหรับเก็บฝุ่นและรวบรวมเศษไม้ ต้องเชื่อมต่ออุปกรณ์เหล่านั้นและนำมาใช้งานอย่างเหมาะสม การใช้อุปกรณ์เก็บฝุ่นจะช่วยลดอันตรายที่เกี่ยวข้องกับฝุ่นได้

## 4. การใช้และการดูแลรักษาเครื่องมือไฟฟ้า

- ห้ามเดินใช้เครื่องมือไฟฟ้า เลือกใช้เครื่องมือไฟฟ้าที่ถูกต้องตรงกับลักษณะการใช้งานของคุณ เครื่องมือไฟฟ้าที่ถูกต้องย่อมทำงานได้ดีกว่าและปลอดภัยกว่า เมื่อใช้งานตามปกติที่เครื่องมือได้รับการออกแบบมา
- ห้ามใช้เครื่องมือไฟฟ้าถ้าสวิตช์เปิดปิดเครื่องไม่ทำงาน เครื่องมือไฟฟ้าที่ไม่สามารถควบคุมผ่านสวิตช์ได้ ถือว่ามีอันตรายและต้องส่งซ่อม
- ถอดปลั๊กของเครื่องมือไฟฟ้าออกจากแหล่งจ่ายไฟ และ/หรือชุดแบตเตอรี่ก่อนทำการปรับแต่ง เปลี่ยนอุปกรณ์เสริม หรือจัดเก็บเครื่องมือไฟฟ้า มาตรการเพื่อความปลอดภัยเชิงการป้องกันนี้จะช่วยลดความเสี่ยงในการไหลย้อนเปิดเครื่องให้ทำงานโดยไม่ตั้งใจ

- ง) เก็บเครื่องมือไฟฟ้าที่ไม่ใช้งานไว้ให้พ้นมือเด็ก และไมอนุญาตให้บุคคลที่ไม่คุ้นเคยกับเครื่องมือไฟฟ้าหรือคำแนะนำเหล่านี้เป็นผู้ใช้เครื่องมือ เครื่องมือไฟฟ้าจะเป็นอันตรายหากอยู่ในมือผู้ใช้ที่ไม่มีความชำนาญ
- จ) บำรุงรักษาเครื่องมือไฟฟ้า ตรวจสอบว่าชิ้นส่วนที่เคลื่อนที่ได้มีการวางไม่ตรงแนวหรือติดขัดหรือไม่ มีชิ้นส่วนที่แตกหัก และสภาพอื่นใดที่อาจส่งผลกระทบต่อการทำงานของเครื่องมือไฟฟ้าหรือไม่ หากชำรุดเสียหาย ให้นำเครื่องมือไปส่งซ่อมก่อนนำมาใช้ อุบัติเหตุจำนวนมากเกิดจากการดูแลรักษาเครื่องมือไฟฟ้าไม่ดีพอ
- ฉ) เครื่องมือตัดต้องคมและสะอาดอยู่เสมอ เครื่องมือตัดที่ได้รับการดูแลรักษาอย่างถูกต้อง และมีขอบตัดคม จะมีปัญหาติดขัดน้อยและความคมได้ง่ายกว่า
- ช) ใช้เครื่องมือไฟฟ้า อุปกรณ์เสริมและชุดอุปกรณ์ต่าง ๆ ให้สอดคล้องกับคำแนะนำเหล่านี้ โดยพิจารณาถึงสภาพการทำงานและงานที่ทำเป็นสำคัญ การใช้เครื่องมือไฟฟ้าทำงานอื่นนอกเหนือจากที่กำหนดไว้อาจทำให้เกิดอันตรายได้

5. การบริการ

- ก) ให้ช่างซ่อมที่มีความเชี่ยวชาญเป็นผู้ซ่อมเครื่องมือ และใช้อะไหล่แท้เท่านั้น ซึ่งจะช่วยให้มั่นใจได้ว่าเครื่องมือไฟฟ้ายังมีความปลอดภัยอยู่

คำเตือนเพื่อความปลอดภัยเพิ่มเติมสำหรับการใช้เครื่องมือไฟฟ้า



คำเตือน! ข้อปฏิบัติเพื่อความปลอดภัยสำหรับการใช้งาน เลื่อยทุกประเภท

- ◆ จับเครื่องมือไฟฟ้าที่พื้นผิวส่วนที่ใช้จับซึ่งมีฉนวนป้องกันเท่านั้น เมื่อใช้วางเครื่องและอุปกรณ์เสริมสำหรับงานตัดอาจสัมผัสกับสายไฟที่ซ่อนอยู่ อุปกรณ์เสริมสำหรับงานตัดที่สัมผัสถูกสายไฟ "ที่มีไฟฟ้า" อาจทำให้ส่วนที่เป็นโลหะของเครื่องที่ถูกสัมผัส "มีไฟฟ้า" และทำให้ผู้ใช้เครื่องถูกไฟฟ้าช็อตได้
- ◆ ใช้ตัวจับชิ้นงานหรือจับยึดด้วยวิธีอื่นๆ เพื่อยึดและหนุนชิ้นงานบนแท่นที่มั่นคง การใช้มือจับหรือให้ชิ้นงานเพียงลำตัวจะไม่มั่นคงและอาจทำให้สูญเสียการควบคุมได้
- ◆ มือต้องอยู่ห่างจากบริเวณที่ตัด ห้ามสอดมือเข้าไปใช้ชิ้นงานไม่ว่าจะด้วยเหตุผลใด ห้ามสอดนิ้วมือหรือหัวแม่มือเข้าไปในช่องว่างระหว่างใบเลื่อยที่กำลังเคลื่อนที่กับตัวจับใบเลื่อย ห้ามปรับเลื่อยโดยการจับที่ฐาน
- ◆ ใบเลื่อยต้องคมอยู่เสมอ ใบเลื่อยที่ทื่อหรือเสียหายอาจทำให้เลื่อยเปลี่ยนทิศทางหรือติดขัดเมื่อได้รับแรงดัน ควรใช้ชนิดใบเลื่อยที่เหมาะสมกับวัสดุของชิ้นงานและลักษณะการตัดเสมอ
- ◆ เมื่อตัดท่อน้ำหรือท่อหุ้มสายไฟ ต้องแน่ใจว่าท่อไม่มีน้ำ สายไฟ หรือวัสดุอื่นอยู่ภายใน
- ◆ อย่าสัมผัสชิ้นงานหรือใบเลื่อยทันทีหลังจากการใช้เครื่องมือ เนื่องจากอาจมีความร้อนสูงมาก
- ◆ ต้องระวังการเกิดอันตรายที่อาจเกิดขึ้น ก่อนจะตัดเข้าไปในผนัง พื้น หรือเพดาน ให้ตรวจหาตำแหน่งของสายไฟและท่อให้แน่ชัดเสียก่อน

- ◆ ใบเลื่อยจะยังคงเคลื่อนที่ต่อไปหลังจากปล่อยสวิตช์ ควบคุมสวิตช์เครื่องมือเสมอ และรอให้ใบเลื่อยหยุดสนิทก่อนวางเครื่องมือลง

**คำเตือน!** การสัมผัสหรือการสูดดมฝุ่นละอองที่เกิดขึ้นจากการตัดอาจเป็นอันตรายต่อสุขภาพของผู้ใช้เครื่องและผู้ที่ได้ผ่านไปมาได้ ให้สวมหน้ากากกันฝุ่นที่ออกแบบมาเป็นพิเศษสำหรับการป้องกันฝุ่นและควัน และต้องแน่ใจว่าผู้ที่อยู่ภายในพื้นที่ทำงานหรือกำลังเข้าไปในพื้นที่ทำงานมีการป้องกันด้วยเช่นกัน

- ◆ วัตถุประสงค์ในการใช้งานได้อธิบายไว้ในคู่มือแนะนำการใช้งานฉบับนี้ การใช้งานอุปกรณ์เสริมหรืออุปกรณ์ต่อพ่วง หรือการใช้งานอื่นใดกับเครื่องมืออื่นนอกเหนือจากที่ได้แนะนำไว้ในคู่มือการใช้งานนี้ อาจทำให้เสี่ยงต่อการบาดเจ็บ และ/หรือความเสียหายต่อทรัพย์สินได้

**ความปลอดภัยของบุคคลอื่น**

- ◆ เครื่องมือนี้ไม่ได้มีไว้เพื่อการใช้งานโดยบุคคล (ซึ่งรวมถึงผู้เยาว์) ที่มีความบกพร่องทางร่างกาย ทางอารมณ์ทางความรู้สึก หรือทางจิตประสาทหรือขาดประสบการณ์และความรู้ เว้นเสียแต่จะได้รับการควบคุมดูแลหรือคำแนะนำการใช้เครื่องมือโดยผู้ที่รับผิดชอบต่อความปลอดภัยของบุคคลเหล่านั้น
- ◆ เด็กควรได้รับการควบคุมดูแลเพื่อให้แน่ใจว่าเด็กจะไม่เล่นเครื่องมือ

**สัญลักษณ์บนเครื่องมือ**

สัญลักษณ์ต่อไปนี้ปรากฏบนเครื่องมือ:



คำเตือน! เพื่อลดความเสี่ยงต่อการบาดเจ็บ ผู้ใช้ต้องอ่านคู่มือการใช้งานเล่มนี้

**ความปลอดภัยทางไฟฟ้า**



เครื่องมือที่มีฉนวนสองชั้น ดังนั้นจึงไม่จำเป็นต้องต่อสายดิน ต้องตรวจสอบกำลังไฟเพื่อให้ตรงกับแรงดันไฟฟ้าบนแผ่นแสดงที่ติดตั้งเสมอ

- ◆ หากสายไฟสองตัวหรือขาดเสียหาย ต้องได้รับการเปลี่ยนโดยผู้ผลิตหรือศูนย์บริการของ Black & Decker ที่ได้รับอนุญาตเพื่อหลีกเลี่ยงอันตรายที่อาจเกิดขึ้น

**ส่วนประกอบสำคัญ**

เครื่องมือที่มีส่วนประกอบสำคัญบางอย่างหรือทั้งหมดดังต่อไปนี้

1. สวิตช์ปรับระดับความเร็ว (KS701E และ KS701PE) หรือสวิตช์ปิด/เปิด (KS501)
2. ปุ่มล็อค
3. ก้านล็อคใบเลื่อย
4. ฐานรอง
5. ช่องระบายฝุ่น (KS701E และ KS701PE เท่านั้น)
6. หน้าปัดปรับระดับเพนดูลัม (KS701PE เท่านั้น)

**การประกอบ**

**คำเตือน!** ก่อนจะทำงานใดๆ ต่อไปนี้ โปรดตรวจสอบว่าได้ปิดสวิตช์และถอดปลั๊กเครื่องมือ และใบเลื่อยหยุดนิ่งแล้ว ใบเลื่อยที่ใช้งานอาจยังร้อนอยู่



**การติดตั้งใบเลื่อย (รูป A - KS701E และ KS701PE)**

- ◆ จับใบเลื่อย (7) ดังที่ได้แสดงไว้โดยให้พื้นเลื่อยหันไปข้างหน้า
- ◆ ดันก้านล็อค (3) ออกจากฐานรอง (4)
- ◆ สอดก้านของใบเลื่อยเข้าไปในตัวยึดใบเลื่อย (8) ให้มากที่สุดเท่าที่จะทำได้
- ◆ ปรับโรลเลอร์รองรับใบเลื่อย (17) ตามที่ได้อธิบายไว้ด้านบน
- ◆ ปลอยก้านล็อค (3)

**การติดตั้งใบเลื่อย (รูป A - KS501)**

- ◆ ก่อนการติดตั้งหรือการถอดใบเลื่อย (7) ต้องปรับโรลเลอร์รองรับใบเลื่อย (17) ไปด้านหลังเพื่อไม่ให้สัมผัสกับใบเลื่อย
- ◆ คลายสกรูสองตัว (ไม่ต้องถอดออก) (18).
- ◆ จับใบเลื่อย (7) โดยให้พื้นเลื่อยหันไปข้างหน้า
- ◆ สอดก้านของใบเลื่อย (7) เข้าไปในตัวยึดใบเลื่อย (8) ให้มากที่สุดเท่าที่จะทำได้
- ◆ ขันสกรูสองตัว (18) เข้าเล็กน้อยโดยให้สลับกันเพื่อปรับตำแหน่งใบมีด จากนั้นขันสกรูสองตัว (18) เข้านจนสุด
- ◆ ปรับโรลเลอร์รองรับใบเลื่อย (17) ตามที่ได้อธิบายไว้ด้านบน
- ◆ หากต้องการถอดใบเลื่อย (7) ให้หมุนสกรูทั้งสองตัว (18) ออกหนึ่งรอบตามเข็มนาฬิกา

**การต่อเครื่องดูดฝุ่นเข้ากับเครื่องมือ (รูป B - KS701E และ KS701PE เท่านั้น)**

- ◆ เลื่อนหัวดูดฝุ่น (9) เข้าไปในช่องระบายฝุ่น (5)

**ความเสี่ยงอื่นๆ ที่ยังมีอยู่**

ความเสี่ยงอื่นๆ ที่ไม่ได้ระบุในคำเตือนเพื่อความปลอดภัยนี้ อาจเกิดขึ้นได้เมื่อใช้เครื่องมือ ความเสี่ยงเหล่านี้อาจเกิดขึ้นจากการใช้อย่างไม่ถูกต้อง การใช้เป็นเวลานาน เป็นต้น

แม้ว่าจะปฏิบัติตามข้อกำหนดตามความปลอดภัยที่เกี่ยวข้องและใช้อุปกรณ์เสริม แต่ความเสี่ยงอื่นๆ ที่ยังมีอยู่บางอย่างก็ไม่สามารถหลีกเลี่ยงได้ ความเสี่ยงเหล่านี้ได้แก่:

- ◆ การบาดเจ็บที่เกิดจากการสัมผัสชิ้นส่วนที่หมุน/เคลื่อนที่
- ◆ การบาดเจ็บที่เกิดขึ้นขณะเปลี่ยนชิ้นส่วน ใบมีด หรืออุปกรณ์เสริม
- ◆ การบาดเจ็บที่เกิดจากการใช้เครื่องมือต่อเนื่องเป็นเวลานาน เมื่อใช้เครื่องมือเป็นระยะเวลาสั้น ต้องแน่ใจว่าคุณได้หยุดพักเป็นระยะ
- ◆ ความบกพร่องในการได้ยินเสียง
- ◆ อันตรายต่อสุขภาพที่เกิดจากการสูดดมฝุ่นจากการใช้เครื่องมือ (ตัวอย่างเช่น การทำงานกับไม้ โดยเฉพาะไม้โอ๊ค ไม้บีช และไม้ MDF)

**การใช้งาน****การปรับฐานรองสำหรับการตัดมุมเฉียง (รูป C)**

**คำเตือน!** ห้ามใช้เครื่องมือเมื่อฐานรองหลวมหรือถูกถอดออก แผ่นฐานเลื่อย (4) สามารถตั้งค่าให้เอียงไปทางซ้ายหรือขวาได้ถึง 45°

- ◆ คลายสกรู (10) บางรุ่นมีสกรูตัวเดียว
- ◆ ดึงฐานเลื่อย (4) ไปข้างหน้า หมุนฐานเลื่อยไปทางซ้ายหรือขวาและดึงกลับเข้ามาที่ตำแหน่ง 45° (KS701E และ KS701PE เท่านั้น)
- ◆ ดึงฐานเลื่อย (4) มาด้านหลัง หมุนไปทางซ้ายหรือขวาและดึงกลับเข้ามาที่ตำแหน่ง 45° (KS501 เท่านั้น)
- ◆ ขันสกรู

**หากต้องการปรับตั้งฐานรอง (4) อีกครั้งสำหรับการตัด 90°:**

- ◆ คลายสกรู (10).
- ◆ ดึงฐานเลื่อย (4) ไปข้างหน้า หมุนไปตรงกลางและดึงกลับเข้ามาที่ตำแหน่ง 0°
- ◆ ขันสกรู

**การปรับระดับความเร็ว (KS701E และ KS701PE เท่านั้น)**

- ◆ ใช้ความเร็วสูงสำหรับไม้ ความเร็วปานกลางสำหรับอะลูมิเนียมและพีวีซี และความเร็วระดับต่ำสำหรับโลหะนอกเหนือจากอะลูมิเนียม

**การเปิดและปิดเครื่อง**

- ◆ ถ้าต้องการเปิดเครื่อง ให้กดสวิตช์ปรับระดับความเร็ว (KS501) (1) ในเครื่อง KS701E และ KS107PE ความเร็วขึ้นอยู่กับความรู้สึกของสวิตช์ที่คุณกดลงไป
- ◆ หากต้องการใช้งานอย่างต่อเนื่อง ให้กดปุ่มล็อค (2) และกดสวิตช์ปรับระดับความเร็ว ตัวเลือกนี้จะใช้งานได้ด้วยความเร็วสูงสุดเท่านั้น
- ◆ เมื่อต้องการปิดเครื่อง ให้ปล่อยสวิตช์ปรับระดับความเร็ว เมื่อจะปิดเครื่องระหว่างการใช้งานต่อเนื่อง ให้กดสวิตช์ปรับระดับความเร็วหรือปุ่มเปิด/ปิดอีกหนึ่งครั้งแล้วปล่อย

**วิธีการใช้คุณสมบัติของ Sightline®**

- ◆ ใช้ดินสอทำเครื่องหมายที่แนวตัด
- ◆ วางเลื่อยจลไฟฟ้าเหนือเส้น (11)

การมองในแนวตรงเหนือเลื่อยจลไฟฟ้า สามารถมองตัดตามแนวเส้นได้อย่างง่ายดาย

**โหมดการตัด (KS701PE เท่านั้น)**

การขึ้น-ลงหรือการทำงานแบบเพนดูลัมมีการเคลื่อนที่ของใบเลื่อยที่รุนแรงกว่า และออกแบบมาสำหรับการตัดวัสดุอ่อนอย่างเช่นไม้หรือพลาสติก ช่วยให้ได้ตัดได้เร็วกว่า แต่รอยตัดบนวัสดุมีความเรียบน้อยกว่า เลื่อยจลไฟฟ้าของคุณมีหน้าปัดปรับระดับเพนดูลัม

การให้หน้าปัดนั้นจะได้รับการอธิบายในเนื้อหาถัดไป

**หมายเหตุ:** ห้ามใช้การทำงานแบบเพนดูลัมตัดโลหะ

## หน้าปัดปรับระดับเพนดูลัม (รูป E - KS701PE เท่านั้น)

KS701PE มีโหมดการตัดสี่โหมดด้วยจำนวนการทำงานแบบเพนดูลัมที่เพิ่มขึ้น

- ◆ ตำแหน่ง 0: โลหะ อะลูมิเนียมและแผ่นโลหะ (ไม่ใช้การทำงานแบบเพนดูลัม)
- ◆ ตำแหน่ง 1: สำหรับลามิเนต ไม้เนื้อแข็ง ส่วนบนของงาน
- ◆ ตำแหน่ง 2: สำหรับไม้อัดและพีวีซี/พลาสติก
- ◆ ตำแหน่ง 3: สำหรับไม้เนื้ออ่อนและการตัดแบบรวดเร็ว

### การปรับการทำงานแบบเพนดูลัม:

- ◆ หมุนปรับระดับเพนดูลัม (6) ไปยังตำแหน่งที่ต้องการ

### การเลื่อย

ถือเครื่องมือด้วยมือทั้งสองข้างให้แน่นในขณะที่ตัด

ส่วนฐาน (4) ควรวางชิดกับวัสดุที่กำลังตัดอย่างมั่นคง ซึ่งจะช่วยให้ป้องกันการเลื่อยกระโดด ลดการสั่นสะเทือน และลดการหักของใบเลื่อย

- ◆ ปล่อยให้ใบเลื่อยหมุนฟรีสองสามวินาทีก่อนเริ่มต้นการตัด
- ◆ ออกแรงกดไปยังเครื่องมือเพียงเบาๆ ในขณะที่ทำการตัด

### คำแนะนำเพื่อการใช้งานอย่างเหมาะสม

#### การเลื่อยแผ่นลามิเนต

เมื่อตัดแผ่นลามิเนต อาจมีรอยแตกเกิดขึ้นซึ่งจะสร้างความเสียหายกับผิวหน้างานได้ ใบเลื่อยทั่วไปโดยส่วนใหญ่จะตัดขึ้น ดังนั้นฐานรองอยู่บนผิวหน้างาน ให้ใช้ใบเลื่อยที่ตัดลง หรือ

- ◆ ให้ใช้ใบเลื่อยแบบฟันละเอียด
- ◆ เลื่อยจากด้านหลังของชิ้นงาน
- ◆ ถ้าต้องการให้มีการแตกบิ่นน้อยที่สุด ให้ใช้เศษไม้หรือไม้อัดประกบทั้งสองด้านของชิ้นงานเพื่อลดการแตก และเลื่อยผ่านไม้ที่ประกบกันไว้

#### การเลื่อยโลหะ

**คำเตือน!** ห้ามใช้เครื่องดูดฝุ่นเมื่อตัดโลหะ ซึ่งโลหะอาจร้อนและอาจทำให้เกิดไฟไหม้ได้

โปรดทราบว่า การเลื่อยโลหะจะใช้เวลามากกว่าการเลื่อยไม้

- ◆ ใช้ใบเลื่อยที่เหมาะสมสำหรับการเลื่อยโลหะ
- ◆ เมื่อตัดแผ่นโลหะที่เป็นชิ้นบาง ให้ใช้เศษชิ้นส่วนไม้ประกบที่พื้นผิวด้านหลังของชิ้นงานและตัดผ่านชิ้นส่วนที่ประกบกันไว้
- ◆ ทาน้ำมันให้ทั่วแนวที่ต้องการตัด

#### แผงกัน (KS701E และ KS701PE เท่านั้น)

การตัดเป็นแนวตรงและวงกลมโดยไม่มีเส้นดินสอสามารถทำได้ง่ายด้วยแผงกัน / แนววงกลม (ไม่ได้โฆษณา ต้องซื้อแยกต่างหาก - หมายเลขชิ้นส่วน X43005-XJ)

#### ติดตั้ง (รูป F และ G)

- ◆ ใส่แผงกัน (14) เข้าไปในช่องฐานรอง คานขวางหันหน้าลงตามที่ได้แสดงไว้ในรูป F
- ◆ ใส่สกรู (15) ลงไปในรูด้านล่างของฐานรอง
- ◆ จัดตัวยึด (16) บนสกรูที่ขอบหันหน้าลงและขันไปที่ส่วนหลังของเลื่อย
- ◆ การใช้ไขควงปากแฉก ให้ขันสกรูเข้าไปตามรูเกลียวในตัวยึดดังที่ได้แสดงไว้ในรูป G
- ◆ ปรับความกว้างของการตัดและขีดสกรูให้แน่น

#### การตัดเป็นวงกลม (รูป H - KS701E และ KS701PE เท่านั้น)

- ◆ ใส่แผงกันลงไปในช่องขวาของฐานรองที่คานขวางหันหน้าขึ้น
- ◆ ปรับแผงกันเพื่อให้ระยะห่างจากใบเลื่อยไปยังรูคานขวางให้อยู่ที่ระยะที่ต้องการ และขันสกรูให้แน่น
- ◆ วางใบเลื่อยในลักษณะที่รูในคานขวางอยู่เหนือจุดศูนย์กลางของวงกลมที่จะตัด (ตัดแบบเจาะรูที่เจาะสำหรับใบเลื่อย หรือรอยตัดเข้าไปข้างในจากขอบของวัสดุเพื่อให้ใบเลื่อยอยู่ในตำแหน่ง)
- ◆ เมื่อเลื่อยอยู่ในตำแหน่งที่เหมาะสม ให้ถอดกบปัดตัวเล็กๆ ผ่านทางรูในคานขวางที่จุดศูนย์กลางพอดีกับการตัด
- ◆ ใช้แผงกันเป็นแขนหมุน แล้วเริ่มตัดเป็นวงกลม

#### การเจาะช่อง (รูป I)

การตัดแบบเจาะช่องเป็นวิธีที่ง่ายในการตัดภายใน สามารถใส่ใบเลื่อยได้โดยตรงในแผงหรือแผ่นโดยไม่ต้องเจาะนำเข้าไปก่อน หรือใช้รูนำร่อง การตัดแบบเจาะช่อง ให้วัดบริเวณพื้นผิวที่จะตัดแล้วทำเครื่องหมายด้วยดินสอให้ชัดเจน ต่อไปเอียงเลื่อยไปข้างหน้าจนขอบด้านหน้าของฐานเลื่อยวางอยู่ติดกับพื้นผิวงาน และใบเลื่อยทำงานผ่านการเคลื่อนขึ้น-ลงได้ชัดเจน เปิดเครื่องและปล่อยให้เครื่องมือด้วยความเร็วสูงสุด ยึดเลื่อยให้แน่นและลดขอบด้านหลังของเครื่องมือให้ห่างจนกว่าใบเลื่อยจะไปถึงระดับความลึกสำเร็จ จับใบเลื่อยบนไม้และเริ่มตัด อย่าเอาใบเลื่อยออกจากการตัดในขณะที่มีนยังทำงานอยู่ ใบเลื่อยต้องหยุดหมุนสนิท

#### การบำรุงรักษา

เครื่องมือไฟฟ้า Black & Decker ออกแบบมาให้สามารถใช้งานได้นานต่อเนื่องโดยที่มีการบำรุงรักษาน้อยที่สุด การทำงานที่สร้างความพึงพอใจอย่างต่อเนื่องขึ้นอยู่กับการดูแลรักษาที่เหมาะสมและการทำความสะอาดอย่างสม่ำเสมอ

- ◆ ทำความสะอาดช่องระบายอากาศในเครื่องมือของคุณเป็นประจำโดยใช้แปรงขนอ่อนหรือผ้าแห้ง
- ◆ ทำความสะอาดตัวมอเตอร์เป็นประจำโดยใช้ผ้าขนานหนาๆ ห้ามใช้น้ำยาทำความสะอาดที่มีฤทธิ์กัดกร่อนหรือมีส่วนผสมของตัวทำละลาย อย่าให้มือของเหลวเข้าไปภายในเครื่อง และอย่าให้ส่วนหนึ่งส่วนใดของเครื่องมือลงไปในของเหลว

## การปกป้องสิ่งแวดล้อม



การเก็บรวบรวมแบบคัดแยก ห้ามทิ้งผลิตภัณฑ์นี้ร่วมกับขยะในครัวเรือนปกติ

หากเมื่อใดก็ตามที่จำเป็นต้องเปลี่ยนผลิตภัณฑ์ Black & Decker หรือถ้าเครื่องมือนี้ไม่เป็นประโยชน์อีกต่อไป อย่าทิ้งผลิตภัณฑ์นี้ร่วมกับขยะในครัวเรือน จัดการกับผลิตภัณฑ์นี้เพื่อให้พร้อมสำหรับการเก็บรวบรวมแบบคัดแยก



การเก็บรวบรวมแบบคัดแยกสำหรับบรรจุภัณฑ์และผลิตภัณฑ์ที่ใช้แล้วทำให้สามารถรีไซเคิลวัสดุและนำมาใช้งานอีกครั้ง การนำวัสดุรีไซเคิลมาใช้อีกครั้งจะช่วยป้องกันมลพิษต่อสิ่งแวดล้อมและลดความต้องการวัตถุดิบ

ตามกฎหมายเบื้องต้นอาจมีการจัดเตรียมสถานที่สำหรับการเก็บรวบรวมแบบคัดแยกอุปกรณ์ไฟฟ้าที่ใช้ภายในครัวเรือนไว้ ณ แหล่งรับขยะของเทศบาล หรืออาจมีการรับอุปกรณ์ใช้แล้วจากผู้ค้าปลีกในกรณีที่คุณซื้อผลิตภัณฑ์ชิ้นใหม่

คุณสามารถตรวจสอบที่อยู่ของตัวแทนซ่อมที่ได้รับอนุญาตที่อยู่ใกล้คุณมากที่สุดได้โดยการติดต่อสำนักงานของ Black & Decker ในพื้นที่ของคุณตามที่อยู่ระบุในคู่มือนี้ นอกจากนี้ ยังมีรายชื่อตัวแทนซ่อมที่ได้รับอนุญาตของ Black & Decker และข้อมูลการบริการหลังการขายของเราและข้อมูลการติดต่อโดยละเอียดแสดงบนอินเทอร์เน็ตที่:  
[www.2helpU.com](http://www.2helpU.com)

## ข้อมูลการบริการ

Black & Decker ให้บริการเครือข่ายศูนย์บริการของบริษัทเองและศูนย์ฯ ที่ได้รับการรับรองเต็มรูปแบบทั่วทั้งทวีปเอเชีย ศูนย์บริการ Black & Decker ทุกแห่งมีพนักงานที่ผ่านการฝึกอบรมเพื่อให้บริการผลิตภัณฑ์ได้อย่างมีประสิทธิภาพและเชื่อถือได้

ไม่ว่าคุณจะต้องการคำแนะนำด้านเทคนิค การซ่อมแซม หรืออะไหล่แท้จากโรงงาน โปรดติดต่อศูนย์ Black & Decker ใกล้บ้าน

## หมายเหตุ

- ◆ เนื่องจาก Black & Decker มีนโยบายพัฒนาปรับปรุงผลิตภัณฑ์อย่างต่อเนื่อง ดังนั้น เราจึงขอสงวนสิทธิ์ในการเปลี่ยนแปลงข้อมูลจำเพาะของผลิตภัณฑ์โดยไม่แจ้งให้ทราบล่วงหน้า
- ◆ อุปกรณ์มาตรฐานและอุปกรณ์เสริมอาจแตกต่างกันในแต่ละประเทศ
- ◆ ข้อมูลจำเพาะของผลิตภัณฑ์อาจแตกต่างกันในแต่ละประเทศ

## Thông số kỹ thuật

	KS501	KS701E	KS701PE
Điện áp đầu vào	220-240V	220-240V	220-240V
Tốc độ không tải	3.000 min <sup>-1</sup>	0-3.000 min <sup>-1</sup>	0-3.000 min <sup>-1</sup>
Độ sâu đường cưa tối đa			
Gỗ	65mm	70mm	70mm
Thép	5mm	5mm	5mm
Kim loại	10mm	15mm	15mm
Trọng lượng	1,3 kg	1,6 kg	1,7kg

## Mục đích sử dụng

Máy cưa lọng BLACK+DECKER được thiết kế để cưa gỗ, nhựa và kim loại. Dụng cụ này chỉ phù hợp với người tiêu dùng.

## Hướng dẫn an toàn

### Cảnh báo chung về an toàn cho dụng cụ điện cầm tay



**CẢNH BÁO!** Hãy đọc tất cả các cảnh báo và hướng dẫn về an toàn. Việc không tuân theo các cảnh báo và hướng dẫn được liệt kê dưới đây có thể gây giật điện, cháy nổ và/hoặc chấn thương nghiêm trọng.

### Giữ lại tất cả các cảnh báo và hướng dẫn để tham khảo về sau.

Thuật ngữ “dụng cụ điện cầm tay” trong phần cảnh báo chỉ thiết bị chạy bằng điện nguồn (có dây điện) hoặc thiết bị chạy bằng pin (không có dây điện).

#### 1. An toàn tại nơi làm việc

- Đảm bảo nơi làm việc luôn sạch sẽ và đủ ánh sáng.** Những khu vực bừa bộn hoặc thiếu ánh sáng dễ gây tai nạn.
- Không vận hành dụng cụ điện cầm tay trong các môi trường dễ cháy nổ, như các môi trường có chất lỏng, khí hoặc bụi dễ cháy.** Dụng cụ điện cầm tay tạo ra các tia lửa điện có thể gây cháy bụi hoặc bốc khói.
- Không cho trẻ em và những người quan sát lại gần khi đang vận hành dụng cụ điện cầm tay.** Những lúc xao lãng có thể khiến bạn mất kiểm soát.

#### 2. An toàn điện

- Phích cắm của dụng cụ điện cầm tay phải vừa với ổ cắm.** Không được sửa đổi phích cắm dưới bất kỳ hình thức nào. Không được sử dụng các phích cắm tiếp hợp với những dụng cụ điện cầm tay có nối đất. Phích cắm không sửa chữa và ổ cắm phù hợp sẽ giúp giảm nguy cơ bị điện giật.

- Tránh tiếp xúc với các bề mặt được nối đất như đường ống, lò sưởi, bếp nướng và tủ lạnh.** Nguy cơ bị điện giật sẽ cao hơn nếu cơ thể bạn tiếp xúc trực tiếp với đất.
- Không để các dụng cụ điện cầm tay ngoài trời mưa hoặc ở nơi ẩm ướt.** Nước vào trong dụng cụ điện cầm tay sẽ làm tăng nguy cơ bị điện giật.
- Không dùng dây điện cho các mục đích khác.** Tuyệt đối không sử dụng dây điện để mang, kéo hoặc rút phích cắm dụng cụ điện cầm tay. Để dây điện cách xa nguồn nhiệt, dầu mỡ, các cạnh sắc hoặc các bộ phận chuyển động. Dây điện bị hỏng hoặc bị vướng sẽ làm tăng nguy cơ bị điện giật.
- Khi vận hành dụng cụ điện cầm tay ngoài trời, hãy sử dụng dây nối dài phù hợp để sử dụng ngoài trời.** Sử dụng dây điện phù hợp để sử dụng ngoài trời sẽ giúp giảm nguy cơ bị điện giật.
- Nếu bắt buộc phải vận hành dụng cụ điện cầm tay ở nơi ẩm ướt, hãy sử dụng nguồn được bảo vệ bởi thiết bị ngắt mạch tự động (RCD).** Sử dụng RCD giúp giảm nguy cơ bị điện giật.

#### 3. An toàn cá nhân

- Hãy tập trung, chú ý vào những gì bạn đang làm và tình táo khi vận hành dụng cụ điện cầm tay.** Không được sử dụng công cụ điện khi bạn đang mệt hoặc đang bị ảnh hưởng của ma túy, rượu hoặc thuốc. Chỉ một khoảnh khắc mất tập trung trong khi vận hành dụng cụ điện cầm tay cũng có thể dẫn đến chấn thương cá nhân nghiêm trọng.
- Sử dụng thiết bị bảo hộ cá nhân. Luôn đeo kính bảo hộ.** Thiết bị bảo hộ như mặt nạ chống bụi, giày chống trượt, mũ cứng hoặc thiết bị bảo vệ tai - nếu được sử dụng ở những điều kiện phù hợp - sẽ giúp giảm các chấn thương cá nhân.
- Tránh vô tình bật máy. Đảm bảo rằng công tắc ở vị trí tắt trước khi nối với nguồn điện và/hoặc pin, khi cầm hoặc mang dụng cụ.** Việc cầm dụng cụ điện cầm tay khi ngón tay đặt vào công tắc hoặc sạc pin cho dụng cụ điện cầm tay khi công tắc đang bật có thể gây tai nạn.
- Hãy tháo hết khóa điều chỉnh hoặc cờ lê trước khi bật dụng cụ điện cầm tay.** Khi tháo hết cờ lê hoặc khóa ra khỏi bộ phận quay của dụng cụ điện cầm tay có thể dẫn đến chấn thương cá nhân.
- Không được với tay. Hãy đứng ở tư thế thích hợp và luôn giữ thăng bằng.** Điều đó giúp kiểm soát dụng cụ điện cầm tay tốt hơn trong các tình huống bất ngờ.
- Mặc quần áo phù hợp. Không mặc quần áo rộng hoặc đeo đồ trang sức.** Giữ cho tóc, quần áo và găng tay tránh xa các bộ phận chuyển động. Quần áo rộng, đồ trang sức hoặc tóc dài có thể bị mắc vào các bộ phận chuyển động.
- Nếu cần thiết bị được cung cấp để nối các phương tiện hút và gom bụi, hãy đảm bảo những thiết bị này được nối và sử dụng đúng cách.** Sử dụng thiết bị gom bụi có thể giảm các nguy cơ liên quan đến bụi.

4. **Sử dụng và bảo quản dụng cụ điện cầm tay**
- Sử dụng dụng cụ điện cầm tay phù hợp. Sử dụng dụng cụ điện cầm tay phù hợp với mục đích của bạn. Dụng cụ phù hợp sẽ giúp bạn làm việc hiệu quả và an toàn hơn theo đúng tốc độ được thiết kế.
  - Không sử dụng dụng cụ điện cầm tay nếu công tắc không bật và tắt được. Những dụng cụ điện cầm tay không điều khiển được bằng công tắc đều rất nguy hiểm và cần phải được sửa chữa.
  - Rút phích cắm dụng cụ điện cầm tay ra khỏi nguồn điện và/hoặc pin ra khỏi dụng cụ điện cầm tay trước khi thực hiện các điều chỉnh, thay phụ kiện hoặc bảo quản dụng cụ điện cầm tay. Các biện pháp an toàn phòng ngừa đó giúp giảm nguy cơ khởi động dụng cụ điện cầm tay một cách tình cờ.
  - Bảo quản các dụng cụ điện cầm tay không sử dụng tránh xa tầm tay trẻ em và không cho phép những người không quen với dụng cụ điện cầm tay hoặc những hướng dẫn này vận hành dụng cụ điện cầm tay. Dụng cụ điện cầm tay sẽ rất nguy hiểm khi được sử dụng bởi những người chưa được huấn luyện.
  - Bảo trì dụng cụ điện cầm tay. Kiểm tra các bộ phận di chuyển xem có bị lắp lệch hoặc kẹt không, các bộ phận có bị vỡ không và bất kỳ tình trạng nào khác có thể ảnh hưởng đến việc vận hành dụng cụ. Nếu dụng cụ điện cầm tay bị hỏng, hãy sửa chữa trước khi sử dụng. Rất nhiều tai nạn xảy ra do công tác bảo trì các dụng cụ điện cầm tay kém.
  - Đảm bảo các thiết bị cắt luôn sắc và sạch sẽ. Các dụng cụ cắt được bảo trì đúng cách với các cạnh cắt sắc sẽ ít bị kẹt hơn và dễ điều khiển hơn.
  - Sử dụng dụng cụ điện cầm tay, các phụ kiện và mũ khoan, v.v...theo các chỉ dẫn này, chú ý đến các điều kiện làm việc và công việc sử dụng. Sử dụng dụng cụ điện cầm tay sai mục đích có thể gây nguy hiểm.

#### 5. Bảo dưỡng

- Hãy để nhân viên bảo dưỡng có chuyên môn tiến hành bảo dưỡng dụng cụ điện cầm tay cho bạn và chỉ sử dụng các bộ phận thay thế chính hãng. Điều này giúp đảm bảo độ an toàn của dụng cụ điện cầm tay đó.

#### Cảnh báo khác về an toàn dụng cụ điện cầm tay



**Cảnh báo!** Hướng dẫn an toàn cho mọi loại máy cura

- Chỉ cầm dụng cụ điện cầm tay ở phần bề mặt tay cầm cách điện khi thực hiện thao tác mà phụ kiện cắt có thể tiếp xúc với hệ thống dây điện chìm. Phụ kiện cắt tiếp xúc với dây "có điện" có thể khiến các bộ phận kim loại hở của dụng cụ điện cầm tay "nhiễm điện" và khiến người vận hành bị điện giật.

- Dùng kẹp hay áp dụng một biện pháp thực tế khác nhằm bảo đảm và cố định phôi gia công trên bàn máy. Giữ phôi bằng tay hay dựa vào người bạn đều làm cho phôi không vững và có thể dẫn tới mất kiểm soát.
- Đề tay tránh xa khỏi khu vực cura. Tuyệt đối không với xuống dưới phôi gia công trong bất kỳ trường hợp nào. Không để ngón tay hoặc ngón tay cái gần lưỡi cura và kẹp lưỡi cura đang chuyển động. Không cố định máy cura bằng cách kẹp chân đế máy cura.
- Đảm bảo lưỡi cura luôn sắc bén. Lưỡi cura cùn hoặc bị hỏng có thể khiến máy cura bị chệch hoặc ngừng chạy khi tác dụng lực. Phải luôn sử dụng loại lưỡi cura phù hợp với vật liệu phôi gia công và loại cura.
- Khi cura ống hoặc đường ống, phải đảm bảo chúng không chứa nước, dây điện, v.v.
- Không chạm vào phôi gia công hoặc lưỡi cura ngay sau khi vận hành dụng cụ. Có thể chúng sẽ rất nóng.
- Hãy cảnh giác trước các mối nguy hiểm tiềm ẩn, trước khi cura vào tường, sàn hay trần nhà, hãy kiểm tra vị trí lắp đặt đường dây và đường ống.
- Lưỡi cura sẽ có thể tiếp tục chuyển động sau khi nhà công tác. Phải luôn tắt dụng cụ và chờ cho lưỡi cura dừng hẳn trước khi đặt dụng cụ xuống.

**Cảnh báo!** Việc tiếp xúc, hoặc hít phải bụi từ công tác cura có thể gây nguy hiểm đến sức khỏe của người vận hành hoặc những người đứng gần. Hãy đeo mặt nạ chống bụi được thiết kế riêng để chống bụi và khởi động thời phải đảm bảo rằng những cá nhân trong khu vực làm việc đều được bảo vệ.

- Mục đích sử dụng được mô tả trong hướng dẫn sử dụng này. Việc sử dụng bất kỳ phụ kiện hay đồ gá hoặc thực hiện bất kỳ thao tác nào với dụng cụ này không theo các mục đích sử dụng khuyến nghị trong hướng dẫn sử dụng này có thể dẫn đến nguy cơ chấn thương cá nhân và/hoặc hư hỏng tài sản.

#### Vấn đề an toàn đối với người khác

- Không cho phép những người (bao gồm cả trẻ em) bị suy giảm năng lực thể chất, trí tuệ hoặc cảm giác, hay người thiếu kinh nghiệm và kiến thức sử dụng dụng cụ điện cầm tay này, trừ khi có sự giám sát hoặc hướng dẫn của người chịu trách nhiệm về vấn đề an toàn của họ.
- Phải giám sát để đảm bảo trẻ không nghịch thiết bị.

#### Ký hiệu trên dụng cụ

Trên dụng cụ có những ký hiệu sau:



**Cảnh báo!** Để giảm nguy cơ chấn thương, người dùng phải đọc hướng dẫn sử dụng.

## An toàn điện



Do dụng cụ này được cách điện kép nên không cần dây nối đất. Luôn kiểm tra xem điện áp nguồn điện có tương ứng với điện áp trên biển thông số định mức hay không.

- ♦ Nếu dây điện bị hỏng, phải yêu cầu nhà sản xuất hoặc trung tâm bảo hành BLACK+DECKER thay thế để tránh gây nguy hiểm.

## Tính năng

Dụng cụ này gồm một số hoặc tất cả những tính năng sau.

1. Công tắc điều tốc (KS701E và KS701PE) hoặc công tắc Bật/Tắt (KS501)
2. Nút cố định tốc độ
3. Cần khóa lưỡi cưa
4. Tấm đế
5. Cửa xả bụi (chỉ KS701E và KS701PE)
6. Nút Điều chỉnh lực lắc(chỉ KS701PE)

## Lắp ráp

**Cảnh báo!** Phải đảm bảo rằng dụng cụ được tắt và đã rút phích cắm và lưỡi cưa không hoạt động trước khi tiến hành bất kỳ thao tác vận hành sau đây: Lưỡi cắt đã sử dụng có thể bị nóng.

## Lắp lưỡi cưa (hình A - KS701E và KS701PE)

- ♦ Giữ lưỡi cưa (7) như hình minh họa, răng lưỡi cưa hướng ra phía trước.
- ♦ Đẩy cần khóa lưỡi cưa (3) ra khỏi tấm đế (4).
- ♦ Lắp hết cỡ trục lưỡi cưa vào kẹp lưỡi cưa (8).
- ♦ Điều chỉnh con lăn hỗ trợ lưỡi cưa (17) như được mô tả ở trên.
- ♦ Nhả cần khóa (3).

## Lắp lưỡi cưa (hình A - KS501)

- ♦ Trước khi tháo hoặc lắp lưỡi cưa (7), phải điều chỉnh con lăn hỗ trợ lưỡi cưa (17) vào vị trí phía sau để tránh tiếp xúc với lưỡi cưa.
- ♦ Vận lỏng (chứ không tháo) hai ốc vít (18).
- ♦ Giữ lưỡi cưa (7) sao cho răng cưa hướng về phía trước.
- ♦ Lắp hết cỡ trục của lưỡi cưa (7) vào đầu kẹp lưỡi cưa (8).
- ♦ Nhẹ nhàng vận lần lượt hai vít (18) để định vị lưỡi cưa, sau đó vận chặt hết cỡ hai vít (18).
- ♦ Điều chỉnh con lăn hỗ trợ lưỡi cưa (17) như được mô tả ở trên.

- ♦ Để tháo lưỡi cưa (7), hãy vận cả hai vít (18) một vòng ngược chiều kim đồng hồ.

## Kết nối máy hút bụi với dụng cụ (hình B - chỉ KS701E và KS701PE)

- ♦ Trượt vòi máy hút bụi (9) vào cửa xả bụi (5).

## Các nguy cơ còn lại

Các nguy cơ khác có thể phát sinh khi sử dụng dụng cụ không nằm trong các cảnh báo an toàn đi kèm. Những nguy cơ này có thể phát sinh từ việc sử dụng sai mục đích, sử dụng trong thời gian dài, v.v.

Kể cả việc áp dụng các quy tắc an toàn liên quan và dùng các thiết bị an toàn cũng không thể tránh được một số nguy cơ khác. Những nguy cơ này gồm:

- ♦ Chấn thương do chạm vào các bộ phận đang chuyển động/đang quay.
- ♦ Chấn thương do thay đổi bất kỳ bộ phận, lưỡi cưa hay phụ kiện nào.
- ♦ Chấn thương do sử dụng dụng cụ trong thời gian dài. Khi sử dụng bất kỳ một dụng cụ nào trong khoảng thời gian dài, bạn phải đảm bảo nghỉ giải lao thường xuyên.
- ♦ Suy giảm thính lực
- ♦ Các mối nguy hại cho sức khỏe do hít phải nhiều bụi khi sử dụng dụng cụ (chẳng hạn:- làm việc với gỗ, đặc biệt là gỗ sồi, gỗ dẻ gai và gỗ ép).

## Cách sử dụng

### Điều chỉnh tấm đế để cưa vát (hình C)

**Cảnh báo!** Tuyệt đối không sử dụng dụng cụ khi tấm đế bị lỏng hoặc đã bị tháo ra. Có thể lắp tấm đế (4) nghiêng sang bên trái hoặc bên phải một góc 45°.

- ♦ Vận lỏng các vít (10). Một số mẫu có một vít.
- ♦ Kéo tấm đế (4) về phía trước, xoay tấm đế sang trái hoặc phải rồi đẩy lại vào vị trí 45°. (Chỉ KS701E và KS701PE).
- ♦ Đẩy tấm đế (4) về phía sau, xoay sang phải rồi kéo lại vào vị trí 45°. (chỉ KS501).
- ♦ Vận chặt vít.

### Điều chỉnh tấm đế (4) để có vết cưa 90°:

- ♦ Vận lỏng các vít (10). (10).
- ♦ Kéo tấm đế (4) về phía trước, xoay đến vị trí chính giữa rồi đẩy lại về vị trí 0°.
- ♦ Vận chặt vít.

### Núm điều tốc (chỉ KS701E và KS701PE)

- ◆ Sử dụng tốc độ cao để cưa gỗ, tốc độ trung bình để cưa nhôm cũng như nhựa PVC và tốc độ thấp để cưa các kim loại khác nhôm.

### Bật và tắt

- ◆ Để bật dụng cụ, nhấn công tắc điều tốc (KS701E và KS701PE) hoặc công tắc Bật/Tắt (KS501) (1). Trên thiết bị KS701E và KS107PE, tốc độ phụ thuộc vào lực ấn công tắc của bạn.
- ◆ Để khoan liên tục, ấn nút khóa (2) rồi ấn công tắc điều tốc. Thao tác này chỉ thực hiện được khi chạy ở tốc độ tối đa.
- ◆ Để tắt dụng cụ, nhả công tắc điều tốc. Để tắt khi dụng cụ đang vận hành liên tục, hãy ấn công tắc điều tốc hoặc công tắc Bật/Tắt một lần nữa rồi nhả ra.

### Cách sử dụng chức năng Sightline® (hình D)

- ◆ Sử dụng bút chì để đánh dấu đường cưa.
- ◆ Định vị máy cưa lọng trên đường đã đánh dấu (11). Bạn có thể cưa theo đường cưa một cách dễ dàng bằng cách xem trực tiếp từ phía trên máy cưa.

### Chế độ cưa (chỉ KS701PE)

Kiểu cưa lắc giúp lưỡi cưa chuyển động linh hoạt hơn và được thiết kế để cưa các vật liệu mềm như gỗ hoặc nhựa. Kiểu cưa lắc cưa nhanh hơn nhưng bề mặt cưa trên vật liệu lại kém mịn hơn. Máy cưa của bạn có núm Điều chỉnh độ lắc.

Bạn có thể xem cách sử dụng núm này trong phần tiếp theo.

**Lưu ý:** Tuyệt đối không sử dụng kiểu cưa lắc để cưa kim loại.

### Núm Điều chỉnh độ lắc (hình E - hình KS701PE)

KS701PE có bốn chế độ cưa với độ lắc tăng dần:

- ◆ **Vị trí 0:** dùng để cưa kim loại và nhôm và kim loại tấm (không có lực lắc).
- ◆ **Vị trí 1:** dùng để cưa tấm, gỗ cứng, mặt trên phôi gia công.
- ◆ **Vị trí 2:** dùng để cưa gỗ dán và nhựa PVC/Loại nhựa khác.
- ◆ **Vị trí 3:** dùng để cưa gỗ mềm và cưa nhanh

### Đề điều chỉnh độ lắc:

- ◆ Xoay núm Điều chỉnh độ lắc (6) đến vị trí cần thiết.

### Cưa

Cầm chắc dụng cụ bằng cả hai tay trong khi cưa. Luôn ấn chắc chắn tấm đế (4) vào vật liệu được cưa. Việc này sẽ ngăn máy cưa này, giảm rung đồng thời giảm thiểu khả năng vỡ lưỡi cưa.

- ◆ Để lưỡi cưa chạy tự do trong vài giây trước khi bắt đầu cưa.
- ◆ Chỉ tác dụng lực nhẹ lên dụng cụ khi đang cưa.

### Gợi ý để sử dụng tối ưu

#### Cưa tấm mỏng

Khi cưa tấm, có thể xảy ra hiện tượng nứt gãy làm hỏng bề mặt phôi gia công. Các lưỡi cưa phổ biến nhất thường có phần răng cưa hướng lên trên, do đó nếu tấm đế cố định trên bề mặt phôi gia công, hãy sử dụng loại lưỡi cưa có răng cưa hướng xuống dưới hoặc:

- ◆ Hãy sử dụng lưỡi cưa có răng cưa nhỏ.
- ◆ Cưa từ mặt sau của phôi gia công.
- ◆ Để giảm thiểu hiện tượng nứt gãy, hãy kẹp một miếng gỗ nhỏ hoặc gỗ ép ở hai mặt của phôi gia công và cưa qua kết cấu lớp này.

#### Cưa kim loại

**Cảnh báo!** Không sử dụng máy hút bụi khi cưa kim loại. Mặt kim loại sẽ trở nên nóng và có thể gây cháy.

Chú ý rằng cưa kim loại tốn nhiều thời gian hơn cưa gỗ.

- ◆ Dùng lưỡi cưa thích hợp để cưa kim loại.
- ◆ Khi cưa tấm kim loại mỏng, hãy kẹp một miếng gỗ xuống dưới phôi gia công và cắt qua miếng gỗ này.
- ◆ Tra một lớp dầu dọc đường định cưa.

#### Tám chắn dọc (chỉ KS701E và KS701PE)

Bạn có thể dễ dàng thực hiện cưa dọc và cưa theo đường tròn mà không cần vạch bút chì bằng tám chắn dọc và thanh dẫn theo đường tròn (đây là thiết bị tùy chọn - số bộ phận X43005-XJ).

#### Lắp tám chắn dọc (hình F và G)

- ◆ Lắp tám chắn dọc (14) vào các khe trên tám đế sao cho thanh ngang quay xuống như được minh họa trong hình F.
- ◆ Lắp vít (15) vào lỗ ở dưới cùng của tám đế.
- ◆ Chỉnh thanh kẹp (16) lên trên vít sao cho kẹp cạnh quay xuống dưới và hướng về phía sau của máy cưa.

- ◆ Sử dụng tua vít phillips để vặn vít vào lỗ có ren trong kẹp thanh như được minh họa trong hình G.
- ◆ Điều chỉnh chiều rộng vết cưa và vặn chặt vít.

### Cưa tròn (hình H - KS701E và chỉ dành cho KS701PE)

- ◆ Lắp tấm chắn dọc vào khe ở bên phải của tấm đế sao cho thanh ngang quay lên trên.
- ◆ Điều chỉnh tấm chắn dọc sao cho khoảng cách từ lưỡi cưa tới lỗ trong thanh ngang có bán kính như mong muốn và vặn chặt vít.
- ◆ Đặt máy cưa sao cho tâm lỗ trên thanh ngang ở phía trên tâm đường tròn định cưa (khoan lỗ cho lưỡi cưa hoặc cưa vào cạnh vật liệu để đặt lưỡi cưa vào đúng chỗ).
- ◆ Khi đã đặt cưa vào đúng vị trí, hãy đóng một chiếc đinh nhỏ qua lỗ của thanh ngang vào đúng tâm của đường tròn định cưa.
- ◆ Sử dụng tấm chắn dọc làm cản trực quay, bắt đầu cưa theo đường tròn.

### Cưa chìm (hình I)

Cưa chìm là một biện pháp dễ dàng để tạo vết cưa bên trong. Bạn có thể để máy cưa trực tiếp vào tấm vật liệu mà không cần khoan trước lỗ dẫn hướng. Khi cưa chìm, hãy đo bề mặt cần cưa và đánh dấu rõ ràng bằng bút chì. Tiếp theo, đẩy máy cưa về phía trước cho đến khi phần đầu của tấm đế cố định trên bề mặt phiê gia công và lưỡi cưa không chạm vào phiê gia công trong quá trình chạy không tải.

Bật dụng cụ rồi cho chờ dụng cụ đạt đến vận tốc tối đa. Cầm chắc máy cưa rồi từ từ hạ cạnh sau của dụng cụ xuống cho đến khi lưỡi cưa đạt đến độ sâu đầy đủ. Giữ tấm đế áp vào gỗ và bắt đầu cưa. Không kéo lưỡi cưa ra khỏi vết cưa khi máy cưa vẫn đang hoạt động. Phải chờ lưỡi cắt dừng hẳn.

### Bảo trì

Dụng cụ điện cầm tay của BLACK+DECKER được thiết kế để vận hành trong thời gian dài và ít phải bảo trì nhất. Dụng cụ vận hành liên tục theo ý muốn tùy thuộc vào việc bảo quản dụng cụ đúng cách và vệ sinh thường xuyên.

- ◆ Thường xuyên lau chùi các khe thông gió trong dụng cụ bằng chổi mềm hoặc khăn khô.
- ◆ Thường xuyên lau chùi vỏ động cơ bằng khăn ẩm. Không dùng chất tẩy rửa có chứa dung môi hay chất

mài mòn. Tuyệt đối không để chất lỏng lọt vào bên trong dụng cụ và không bao giờ ngâm các bộ phận của dụng cụ vào chất lỏng.

### Bảo vệ môi trường



Thu gom riêng. Không được vứt bỏ sản phẩm này với rác thải sinh hoạt thông thường.

Nếu bạn cần thay thế sản phẩm BLACK+DECKER của mình hoặc bạn không sử dụng nó trong tương lai nữa, đừng vứt bỏ cùng với rác thải gia đình. Sản phẩm phải được thu gom riêng.



Thu gom riêng sản phẩm và bao bì đóng gói đã qua sử dụng sẽ cho phép tái chế và tái sử dụng vật liệu. Tái sử dụng vật liệu tái chế giúp ngăn chặn ô nhiễm môi trường và giảm nhu cầu vật liệu thô.

Luật lệ địa phương có thể quy định việc thu gom riêng các sản phẩm điện gia dụng, tại các bãi rác thải đô thị hoặc bởi những người bán lẻ khi bạn mua sản phẩm mới.

BLACK+DECKER cung cấp nơi thu gom và tái chế các sản phẩm của BLACK+DECKER khi các sản phẩm này đã hết hạn sử dụng. Để sử dụng dịch vụ này, vui lòng trả lại sản phẩm cho đại lý sửa chữa được ủy quyền, nơi thay mặt công ty chúng tôi thu gom các sản phẩm này.

Bạn có thể kiểm tra vị trí của đại lý sửa chữa được ủy quyền gần nhất bằng cách liên hệ với văn phòng BLACK+DECKER tại nơi bạn sống theo địa chỉ cung cấp trong sổ tay hướng dẫn này. Ngoài ra, chúng tôi còn cung cấp danh sách các đại lý sửa chữa được ủy quyền của BLACK+DECKER và mọi thông tin chi tiết về dịch vụ hậu mãi và các thông tin liên hệ tại website: [www.2helpU.com](http://www.2helpU.com)

### Thông tin dịch vụ

Black & Decker có sẵn một mạng lưới các trung tâm trực thuộc và ủy quyền trên toàn Châu Á. Tất cả các trung tâm dịch vụ của Black & Decker đều có đội ngũ nhân viên lành nghề nhằm cung cấp cho khách hàng dịch vụ về sản phẩm hiệu quả và tin cậy.



Khi bạn cần tư vấn kỹ thuật, sửa chữa hoặc phụ tùng thay thế chính hãng, vui lòng liên hệ với cơ sở Black & Decker gần nhất.

### LƯU Ý

- ◆ Chính sách của Black & Decker là không ngừng cải tiến sản phẩm và do đó, chúng tôi có quyền thay đổi thông số kỹ thuật sản phẩm mà không cần báo trước.
- ◆ Các thiết bị và phụ kiện chuẩn có thể khác nhau tùy theo từng quốc gia.
- ◆ Thông số kỹ thuật của sản phẩm có thể khác nhau tùy theo từng quốc gia.
- ◆ Danh mục sản phẩm hoàn chỉnh có thể không có tại tất cả các quốc gia. Liên hệ với các đại lý của Black & Decker tại quốc gia bạn để được cung cấp danh mục sản phẩm.





