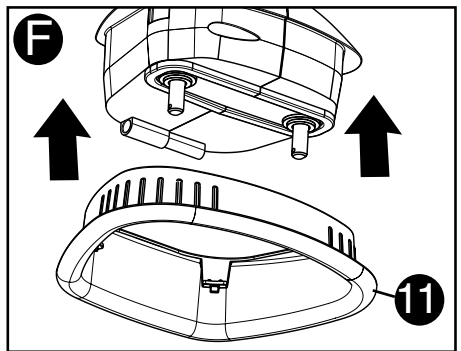
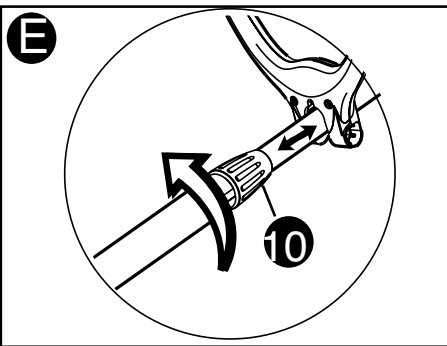
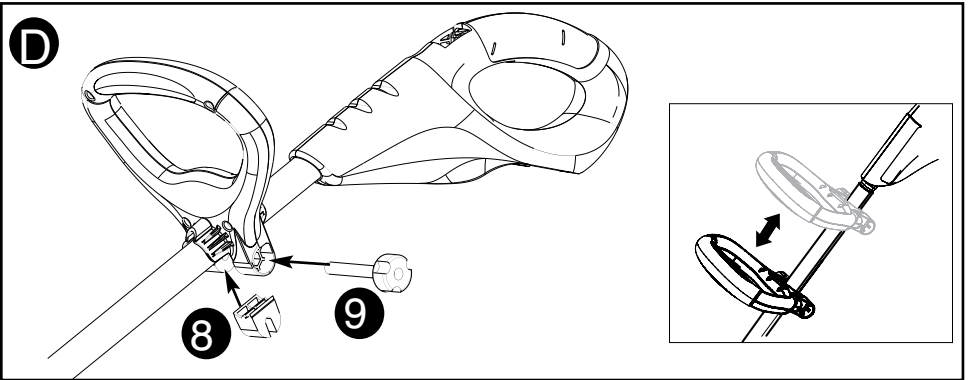
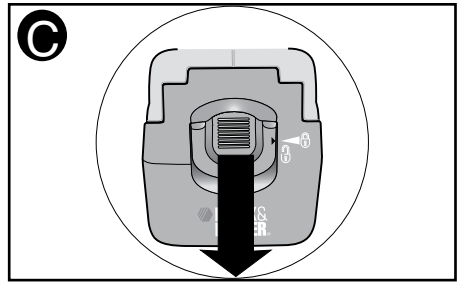
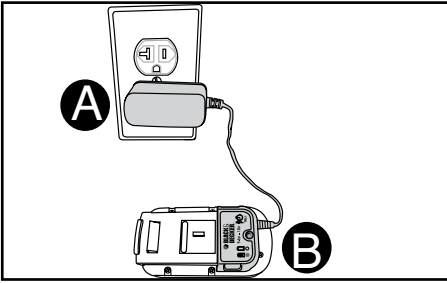
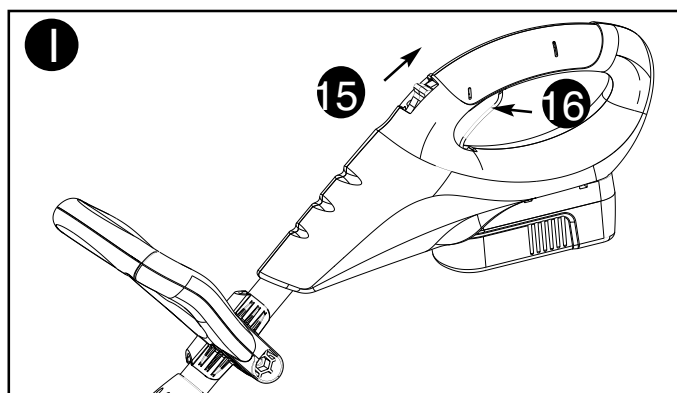
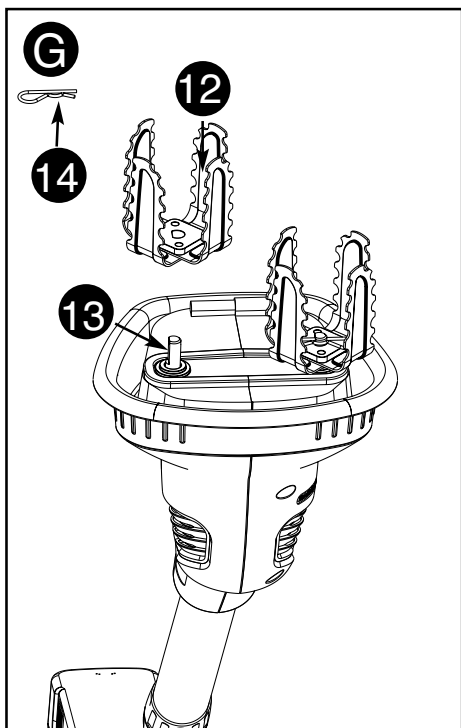


**GC818**

English	4
ภาษาไทย	13
BAHASA INDONESIA	23
TIẾNG VIỆT	32





## PLEASE READ BEFORE RETURNING THIS PRODUCT FOR ANY REASON:

### KEY INFORMATION YOU SHOULD KNOW:

- Inspect and thoroughly clean your cultivator at the start of each use.
- The blades on this tool are not intended to be sharp. Do not sharpen.
- Make sure area is clear of other persons or pets prior to starting operation.
- Make sure work area is clear of underground wires and pipes.

### SAVE THIS MANUAL FOR FUTURE REFERENCE.

**WARNING** Read all safety warnings and all instructions. *Failure to follow the warnings and instructions may result in electric shock, fire and/or serious injury.*

#### Save all warnings and instructions for future reference.

*The term "power tool" in the warnings refers to your mains-operated (corded) power tool or battery-operated (cordless) power tool.*

#### 1) Work area safety

- Keep work area clean and well lit.** Cluttered or dark areas invite accidents.
- Do not operate power tools in explosive atmospheres, such as in the presence of flammable liquids, gases or dust.** Power tools create sparks which may ignite the dust or fumes.
- Keep children and bystanders away while operating a power tool.** Distractions can cause you to lose control.

#### 2) Electrical safety

- Power tool plugs must match the outlet. Never modify the plug in any way. Do not use any adapter plugs with earthed (grounded) power tools.** *Unmodified plugs and matching outlets will reduce risk of electric shock.*
- Avoid body contact with earthed or grounded surfaces, such as pipes, radiators, ranges and refrigerators.** *There is an increased risk of electric shock if your body is earthed or grounded.*
- Do not expose power tools to rain or wet conditions.** *Water entering a power tool will increase the risk of electric shock.*
- Do not abuse the cord. Never use the cord for carrying, pulling or unplugging the power tool. Keep cord away from heat, oil, sharp edges or moving parts.** *Damaged or entangled cords increase the risk of electric shock.*
- When operating a power tool outdoors, use an extension cord suitable for outdoor use.** *Use of a cord suitable for outdoor use reduces the risk of electric shock.*
- If operating a power tool in a damp location is unavoidable, use a residual current device (RCD) protected supply.** *Use of an RCD reduces the risk of electric shock.*

#### 3) Personal safety

- Stay alert, watch what you are doing and use common sense when operating a power tool. Do not use a power tool while you are tired or under the influence of drugs, alcohol or medication.** *A moment of inattention while operating power tools may result in serious personal injury.*
- Use personal protective equipment. Always wear eye protection.** *Protective equipment such as dust mask, non-skid safety shoes, hard hat, or hearing protection*

used for appropriate conditions will reduce personal injuries.

- c) **Prevent unintentional starting. Ensure the switch is in the off-position before connecting to power source and/or battery pack, picking up or carrying the tool.** *Carrying power tools with your finger on the switch or energising power tools that have the switch on invites accidents.*
- d) **Remove any adjusting key or wrench before turning the power tool on.** *A wrench or a key left attached to a rotating part of the power tool may result in personal injury.*
- e) **Do not overreach. Keep proper footing and balance at all times.** *This enables better control of the power tool in unexpected situations.*
- f) **Dress properly. Do not wear loose clothing or jewellery. Keep your hair, clothing and gloves away from moving parts.** *Loose clothes, jewellery or long hair can be caught in moving parts.*
- g) **If devices are provided for the connection of dust extraction and collection facilities, ensure these are connected and properly used.** *Use of dust collection can reduce dust-related hazards.*

#### 4) Power tool use and care

- a) **Do not force the power tool. Use the correct power tool for your application.** *The correct power tool will do the job better and safer at the rate for which it was designed.*
- b) **Do not use the power tool if the switch does not turn it on and off.** *Any power tool that cannot be controlled with the switch is dangerous and must be repaired.*
- c) **Disconnect the plug from the power source and/or the battery pack from the power tool before making any adjustments, changing accessories, or storing power tools.** *Such preventive safety measures reduce the risk of starting the power tool accidentally.*
- d) **Store idle power tools out of the reach of children and do not allow persons unfamiliar with the power tool or these instructions to operate the power tool.** *Power tools are dangerous in the hands of untrained users.*
- e) **Maintain power tools. Check for misalignment or binding of moving parts, breakage of parts and any other condition that may affect the power tool's operation. If damaged, have the power tool repaired before use.** *Many accidents are caused by poorly maintained power tools.*
- f) **Keep cutting tools sharp and clean.** *Properly maintained cutting tools with sharp cutting edges are less likely to bind and are easier to control.*
- g) **Use the power tool, accessories and tool bits etc. in accordance with these instructions, taking into account the working conditions and the work to be performed.** *Use of the power tool for operations different from those intended could result in a hazardous situation.*

#### 5) Battery tool use and care

- a) **Recharge only with the charger specified by the manufacturer.** *A charger that is suitable for one type of battery pack may create a risk of fire when used with another battery pack.*
- b) **Use power tools only with specifically designated battery packs.** *Use of any other battery packs may create a risk of injury and fire.*
- c) **When battery pack is not in use, keep it away from other metal objects, like paper clips, coins, keys, nails, screws or other small metal objects, that can make a connection from one terminal to another.** *Shorting the battery terminals together may cause burns or a fire.*
- d) **Under abusive conditions, liquid may be ejected from the battery; avoid contact.**

If contact accidentally occurs, flush with water. If liquid contacts eyes, additionally seek medical help. Liquid ejected from the battery may cause irritation or burns.

6) Service

a) Have your power tool serviced by a qualified repair person using only identical replacement parts. This will ensure that the safety of the power tool is maintained.

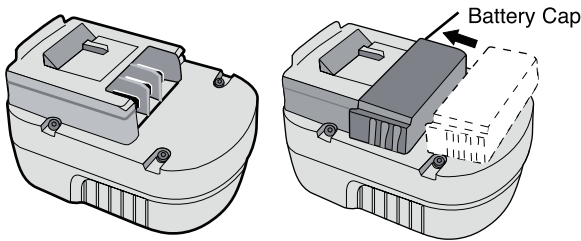
**SAVE THESE INSTRUCTIONS**

The label on your tool may include the following symbols.

- |             |                       |                      |  |
|-------------|-----------------------|----------------------|--|
| V .....     | volts                 | A .....              | amperes                                  |
| Hz .....    | hertz                 | W.....               | watts                                    |
| min.....    | minutes               | ~.....               | alternating current                      |
| — — — ..... | direct current        | n <sub>o</sub> ..... | no load speed                            |
| □.....      | Class II Construction | ⊕.....               | earthing terminal                        |
| △.....      | safety alert symbol   | .../min .....        | revolutions or reciprocations per minute |

**Battery Cap Information**

Battery storage and carrying caps are provided for use whenever the battery is out of the tool or charger. Remove cap before placing battery in charger or tool.



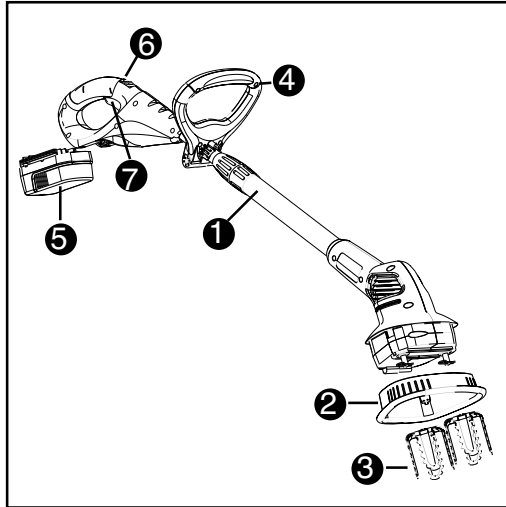
**⚠ WARNING: Fire hazard.** Do not store or carry battery so that metal objects can contact exposed battery terminals. For example, do not place battery in aprons, pockets, tool boxes, product kit boxes, drawers, etc., with loose nails, screws, keys, etc. Transporting batteries can possibly cause fires if the battery terminals inadvertently come in contact with conductive materials such as keys, coins, hand tools and the like.

1. GC818 Cultivator
2. Shroud
3. Tine assembly (x 2)
4. Auxiliary handle
5. Battery pack

6. Lock-off button

7. Switch trigger

Charger (not shown)



## ⚠ SAFETY WARNINGS AND INSTRUCTIONS

### CHARGING

1. This manual contains important safety and operating instructions.
2. Before using battery charger, read all instructions and cautionary markings on (1) battery charger, (2) battery pack, and (3) product using battery pack.
3. ⚠ **CAUTION:** To reduce the risk of injury, charge only Black & Decker Battery Packs. Other types of batteries may burst causing personal injury and damage.
4. Do not expose charger to rain or snow.
5. Use of an attachment not recommended or sold by Black & Decker may result in a risk of fire, electric shock, or injury to persons.
6. To reduce risk of damage to electric plug and cord, pull by plug rather than cord when disconnecting charger.
7. Make sure cord is located so that it will not be stepped on, tripped over, or otherwise-subjected to damage or stress.
8. An extension cord should not be used unless absolutely necessary. Use of improper extension cord could result in a risk of fire, electric shock or electrocution.
9. Use only the supplied charger when charging your unit. The use of any other charger could damage the battery pack or create a hazardous condition.
10. Use only one charger when charging.
11. Do not attempt to open the charger or the unit. There are no customer serviceable parts inside. Return to any authorized Black & Decker service center.
12. DO NOT incinerate battery packs even if they are severely damaged or completely worn out.
13. Do not incinerate the batteries. They can explode in a fire. A small leakage of liquid from the battery cells may occur under extreme usage, charging or temperature conditions. This does not indicate a failure. However, if the outer seal is broken and this leak-

age gets on your skin:

- a. Wash quickly with soap and water.
- b. Neutralize with a mild acid such as lemon juice or vinegar.
- c. If the battery liquid gets in your eyes, flush them with clean water for a minimum of 10 minutes and seek immediate medical attention. **MEDICAL NOTE:** The liquid is a 25-35% solution of potassium hydroxide.

## IMPORTANT CHARGING SAFETY INSTRUCTIONS

### CHARGING PROCEDURE

**THE BATTERY PACK IS NOT FULLY CHARGED AT THE FACTORY. CHARGE BATTERY PACK FOR AT LEAST 9 HOURS BEFORE USE.**

1. Plug the charger into electrical outlet (**figure A**).
2. Slide the charger onto the battery pack as shown in **figure B** and let the battery pack charge initially for **9 hours**. After the initial charge, under normal usage, your battery-pack should be fully charged in **6 to 9 hours**.
  - 2a) During charging the green LED will appear.
  - 2b) When charging is complete the green LED will go off.
3. Unplug charger, and remove the battery pack. **Place the battery pack into the tool until it “clicks” into place.**

**NOTE:** To remove the battery pack, press down on the release button on the back of the battery pack and slide out (**figure C**).

### IMPORTANT CHARGING NOTES

1. After normal usage, your battery pack should be fully charged in **6 to 9 hours**. If the battery pack is run-down completely, it may take up to **9 hours** to become fully charged. Your battery pack was sent from the factory in an uncharged condition. Before attempting to use it, it must be charged for at least **9 hours**.
2. **DO NOT** charge the battery pack in an air temperature below +40°F(+4.5°C), or above +105°F (+40.5°C). This is important and will prevent serious damage to the battery pack. Longest life and best performance can be obtained if battery pack is charged when air temperature is about 75°F (24°C).
3. While charging, the charger may hum and become warm to touch. This is a normal condition and does not indicate a problem.
4. If the battery pack does not charge properly—(1) Check current at receptacle by plugging in a lamp or other appliance. (2) Check to see if receptacle is connected to a light switch which turns power off when you turn out the lights. (3) Move charger and battery pack to a surrounding air temperature of 40°F (+4.5°C) to 105°F (+40.5°C). (4) If the receptacle and temperature are OK, and you do not get proper charging, take or send the battery pack and charger to your local Black & Decker service center. See Tools Electric in yellow pages.
5. The battery pack should be recharged when it fails to produce sufficient power on jobs which were easily done previously. **DO NOT CONTINUE** using unit with its battery pack in a depleted condition.
6. The battery pack will reach optimum performance after being cycled 5 times during normal usage. There is no need to run the battery pack down completely before recharging. Normal usage is the best method of discharging and recharging the battery pack.



## STORAGE RECOMMENDATION

1. Store tool:
  - a.) with the battery pack removed and on the charger.
  - b.) in a place that is cool and dry away from direct sunlight and excess heat or cold.
  - c.) out of the reach of children.
2. For prolonged storage such as over the winter, the battery pack should be fully charged and then removed from the charger. It should be charged again just prior to use.

## LEAVING THE BATTERY PACK IN THE CHARGER

It is OK to leave battery packs on charge for long periods of time. The charger has a maintenance mode which gives the battery pack enough charge to stay “topped off”. If however, the tool is not expected to be needed for more than 30 days, unplug the charger and store battery pack in a cool, dry location. NOTE: A battery pack will lose its charge when kept off of the charger. If the battery pack has not been kept on maintenance charge, it may need to be recharged before use. A battery pack may also lose its charge if left in a charger that is not plugged into an appropriate AC source.

## ASSEMBLY

### AUXILIARY HANDLE ASSEMBLY (FIG. D)

- Position handle on upper tube to desired height.
- Ensure locking block (8) is aligned with groove in tube.
- Assemble and tighten bolt (9).

### POLE EXTENSION (FIG. E)

- Loosen collar (10).
- Extend poles to desired length.
- Tighten collar.

### SHROUD ASSEMBLY (FIG. F)

1. Position the open center of the shroud (11) over the lower housing from the bottom (near output shaft).
2. Align snap tabs to housing. Apply even pressure to shroud until snap sound is heard.
3. Ensure all snap features are engaged correctly.

**WARNING: NEVER OPERATE TOOL WITHOUT SHROUD FIRMLY IN PLACE.**

### TINE ASSEMBLY (FIG. G)

**⚠ WARNING: Release trigger, allow tines to come to a complete stop, and remove battery.**

1. Place tine (12) on shaft (13), making sure flat in hole of tine is aligned with flat on shaft. Be sure to push tine completely onto shaft.
2. Insert straight end of pin (14) into shaft hole. Push in pin completely until the looped end bottoms out against the shaft.
3. Repeat for other tine. For tine removal reverse the process.

### OPERATION (FIG. H,I)

**⚠ WARNING: Make sure that other persons and pets are at least 20 feet away.**

1. Hold tool as shown in Figure H.
2. Lift unit out of soil.
3. Slide lock off button (15) (Fig. I).

#### 4. Pull switch trigger (16). (Fig. 1)

For the first cultivating each season, it is best to move slowly because dirt is packed down. Subsequent cultivating will be completed more rapidly. Do not attempt to cultivate when the soil is wet - for electrical safety and to prevent clogging of the tines. If you must cultivate under conditions that cause the tines to become clogged, release trigger, wait for tines to come to complete stop! REMOVE BATTERY! Remove clogged material with a stick or screwdriver. To continue to operate the tool in a clogged condition will seriously overload the motor.

**NOTE:** This unit is equipped with a built in clutching mechanism used to prevent permanent damage to the unit due to an obstruction in the tines or overloaded working conditions. If the clutch is engaged, the unit will make a loud clicking sound. This noise will persist until the obstruction or overload condition is removed. Remove battery prior to attempting to remove obstructions from tines. The clutch mechanism is not adjustable by the user.

**⚠ CAUTION:** Do not attempt to unclog the tines by dropping or tapping the tool on the ground. This can damage the unit.

#### STORAGE

Remove and clean any debris from the outside of the cultivator and inside of shroud before storage. See MAINTENANCE section.

**⚠ CAUTION: DO NOT HANG ON THE SWITCH TRIGGER**

Note: Do not store the tool on or adjacent to fertilizers or chemicals. Such storage can cause rapid corrosion.

#### PREVENTING CORROSION

**⚠ WARNING: Wear proper gloves and eye protection when cleaning tool.**

Fertilizers and other garden chemicals contain agents that greatly accelerate the corrosion of metals. If you use the tool in areas where fertilizers or chemicals have been used, the tool should be cleaned immediately afterwards.

Wipe all exposed parts with a damp cloth. You may lubricate only metal parts with a light petroleum based oil.

### **TROUBLESHOOTING**

#### **Problem**

- Unit will not start.

#### **Possible Cause**

- Battery not installed properly.
- Battery not charged.

#### **Possible Solution**

- Check battery installation.
- Check battery charging requirements.
- Move lock-off button from on position.

- Battery will not charge.

- Battery not inserted into charger.

- Insert battery into charger until green LED appears.
- Plug charger into a working outlet. Refer to "Important Charging Notes" for more details.

- Charger not plugged in.

- Surrounding air temperature too hot or too cold.

- Move charger and tool to a surrounding air temperature of above 40 degree F(4.5°C) or below 105 degree F (+40.5°C).

When cleaning, DO NOT immerse tool in water or spray it with a hose.

## MAINTENANCE

Your Black & Decker tool has been designed to operate over a long period of time with a minimum of maintenance. Continuous satisfactory operation depends upon proper tool care and regular cleaning. Your charger does not require any maintenance apart from regular cleaning.

**Warning!** Before performing any maintenance on the tool, remove the battery from the tool. Unplug the charger before cleaning it.

- Regularly clean the ventilation slots in your tool and charger using a soft brush or dry cloth.
- Regularly clean the motor housing using a damp cloth. Do not use any abrasive or solvent-based cleaner.
- Regularly open the chuck and tap it to remove any dust from the interior.

## Protecting the environment



Separate collection. This product must not be disposed of with normal household waste.

Should you find one day that your Black & Decker product needs replacement, or if it is of no further use to you, do not dispose of it with household waste. Make this product available for separate collection.



Separate collection of used products and packaging allows materials to be recycled and used again. Re-use of recycled materials helps prevent environmental pollution and reduces the demand for raw materials.

Local regulations may provide for separate collection of electrical products from the household, at municipal waste sites or by the retailer when you purchase a new product.

Black & Decker provides a facility for the collection and recycling of Black & Decker products once they have reached the end of their working life. To take advantage of this service please return your product to any authorised repair agent who will collect them on our behalf.

You can check the location of your nearest authorised repair agent by contacting your local Black & Decker office at the address indicated in this manual. Alternatively, a list of authorised Black & Decker repair agents and full details of our after-sales service and contacts are available on the Internet at:

[www.2helpU.com](http://www.2helpU.com)

## Batteries



Run the battery down completely, then remove it from the tool.

- NiCd, NiMH and Li-Ion batteries are recyclable. Take them to any authorised repair agent or a local recycling station.

## Service Information

Black & Decker offers a full network of company-owned and authorized service locations throughout Asia. All Black & Decker Service Centers are staffed with trained personnel to provide customers with efficient and reliable product service.

Whether you need technical advice, repair, or genuine factory replacement parts, contact the Black & Decker location nearest to you.

**NOTE**

- Black & Decker's policy is one of continuous improvement to our products and, as such, we reserve the right to change product specifications without prior notice.
- Standard equipment and accessories may vary by country.
- Product specifications may differ by country.
- Complete product range may not be available in all countries. Contact your local Black & Decker dealers for range availability.

## โปรดอ่านก่อนคืนผลิตภัณฑ์นี้ ไม่ว่าด้วยเหตุผลใดๆ :

### ข้อมูลสำคัญที่คุณควรทราบ:

- ตรวจสอบทำความสะอาดเครื่องพรวนดินก่อนใช้งานทุกครั้ง
- โบรมือของเครื่องมือนี้ไม่ได้ต้องการให้คม ดังนั้นอย่าลับให้คม
- ก่อนเริ่มทำงาน ตรวจสอบพื้นที่ให้แน่ใจว่าไม่มีคนอื่นหรือสัตว์เลี้ยงอยู่ในบริเวณนั้น
- ตรวจสอบให้แน่ใจว่าพื้นที่ทำงานไม่มีการเดินสายไฟหรือท่อใต้ดิน

### เก็บรักษาเครื่องมือนี้เพื่อการอ้างอิงในภายหลัง

**คำเตือน** โปรดอ่านคำเตือนและข้อปฏิบัติเพื่อความปลอดภัยทั้งหมด การไม่ปฏิบัติตามคำเตือนและข้อปฏิบัติเหล่านี้ อาจทำให้ไฟฟ้าช็อต เกิดเพลิงไหม้ และ/หรือบาดเจ็บสาหัสได้

### โปรดเก็บรักษาคำเตือนและข้อปฏิบัติทั้งหมดนี้ไว้เพื่อการอ้างอิงในภายหลัง

คำว่า "เครื่องมือไฟฟ้า" ในคำเตือนหมายถึง เครื่องมือไฟฟ้า (แบบมีสาย) ที่ทำงานด้วยแหล่งจ่ายไฟหลัก หรือ เครื่องมือไฟฟ้า (แบบไร้สาย) ที่ทำงานด้วยแบตเตอรี่

#### 1) ความปลอดภัยในบริเวณที่ทำงาน

- รักษาความปลอดภัยและจัดให้มีแสงสว่างเพียงพอในบริเวณที่ทำงาน บริเวณที่มีดหรือมีช่องว่าง ระเกะระกะอาจทำให้เกิดอุบัติเหตุได้
- ห้ามใช้เครื่องมือไฟฟ้าในบริเวณที่อาจเกิดการระเบิด เช่น ในสถานที่ที่มีของเหลว แก๊ส หรือฝุ่นละอองที่มีคุณสมบัติไวไฟ เครื่องมือไฟฟ้าจะทำให้เกิดประกายไฟที่อาจทำให้เกิดละอองไฟหรือเปลวไฟขึ้นได้
- ระวังไม่ให้เด็กเล็กและคนเดินผ่านไปมาเข้าใกล้ในขณะที่ใช้งานเครื่องมือไฟฟ้า สิ่งรบกวนอาจทำให้คุณเสียสมาธิได้

#### 2) ความปลอดภัยทางไฟฟ้า

- ปลั๊กไฟของเครื่องต้องเป็นชนิดเดียวกับเต้ารับ ห้ามตัดแปลงปลั๊กไม่ว่าด้วยวิธีใด ห้ามใช้ปลั๊กอะแดปเตอร์ใดๆ กับเครื่องมือไฟฟ้าที่ต่อสายดิน (ลงกราวด์) ปลั๊กที่ไม่มีการตัดแปลงและเต้ารับชนิดเดียวกันจะช่วยลดความเสี่ยงจากการถูกไฟฟ้าช็อต
- หลีกเลี่ยงการสัมผัสพื้นผิวที่ต่อสายดินหรือสายกราวด์ เช่น ท่อ หม้อน้ำ เตาหุงต้ม และตู้เย็น ความเสี่ยงที่จะถูกไฟฟ้าช็อตจะเพิ่มขึ้นหากร่างกายของคุณเป็นสื่อเชื่อมต่อกับดินหรือลงกราวด์
- อย่าให้เครื่องมือไฟฟ้าถูกฝนหรือเปียกน้ำ น้ำที่เข้าเครื่องมือไฟฟ้าจะเพิ่มความเสี่ยงในการเกิดไฟฟ้าช็อต
- ห้ามใช้งานสายไฟฉีกขาดทุบประสงค์ ห้ามใช้สายไฟเพื่อการหิ้ว ดึง หรือถอดปลั๊กเครื่องมือไฟฟ้า เก็บสายไฟให้พ้นจากความร้อน น้ำมัน ของมีคม หรือชิ้นส่วนที่กำลังเคลื่อนที่ สายไฟที่ชำรุดหรือพันกันเป็นการเพิ่มความเสี่ยงต่อการเกิดไฟฟ้าช็อต
- เมื่อใช้เครื่องมือไฟฟ้านอกอาคาร ให้ใช้สายต่อที่เหมาะสมสำหรับการใช้งานนอกอาคาร การใช้สายไฟที่เหมาะสมสำหรับการใช้งานนอกอาคารจะช่วยลดความเสี่ยงต่อการเกิดไฟฟ้าช็อต

ข) หากไม่สามารถหลีกเลี่ยงการใช้เครื่องมือไฟฟ้าในบริเวณที่ขึ้นและได้ ให้ใช้อุปกรณ์ป้องกันไฟฟ้าสะลม (RCD) ที่จัดให้ การใช้ RCD จะช่วยลดความเสี่ยงจากการถูกไฟฟ้าช็อต

### 3) ความปลอดภัยส่วนบุคคล

ก) ตื่นตัวและมีสมาธิกับสิ่งที่คุณกำลังทำ รวมทั้งใช้สามัญสำนึกในขณะที่กำลังใช้งานเครื่องมือไฟฟ้า อย่าใช้เครื่องมือไฟฟ้าขณะที่คุณเหนื่อยหรือได้รับอิทธิพลของยา แอลกอฮอล์ หรือการรักษา การขาดความระมัดระวังในการใช้เครื่องมือไฟฟ้าแม้เพียงชั่วขณะอาจทำให้ได้รับบาดเจ็บสาหัสได้

ข) ใช้อุปกรณ์คุ้มครองความปลอดภัยส่วนบุคคล สวมอุปกรณ์ป้องกันดวงตาเสมอ อุปกรณ์ป้องกันอย่างเช่น หน้ากากกันฝุ่น รองเท้านิรภัยกันลื่น หมวกนิรภัย หรืออุปกรณ์ป้องกันการได้ยินที่ใช้สำหรับสภาพการณ์ที่เหมาะสมจะช่วยลดการบาดเจ็บได้

ค) ปิดเครื่องเปิดทำงานโดยไม่ได้ตั้งใจ ตรวจสอบให้แน่ใจว่าสวิตช์อยู่ในตำแหน่งปิดก่อนที่จะเสียบปลั๊กของเครื่องเข้ากับแหล่งจ่ายไฟ และ/หรือชุดแบตเตอรี่ หรือก่อนยกหรือหิ้วเครื่องมือไฟฟ้าโดยที่นิ้วของคุณอยู่ที่สวิตช์ หรือการจ่ายไฟไปยังเครื่องมือไฟฟ้าในขณะที่สวิตช์เปิดอยู่ อาจทำให้เกิดอุบัติเหตุได้

ง) ถอดกุญแจปรับแต่งหรือประแจออกก่อนเปิดสวิตช์เครื่องมือไฟฟ้า ประแจหรือกุญแจที่เสียบค้างอยู่ในชิ้นส่วนของเครื่องมือไฟฟ้าอาจทำให้ได้รับบาดเจ็บได้

จ) ห้ามยืนเขย่งเท้าขณะใช้เครื่องมือ ควรยืนในท่าที่เหมาะสมและสมดุลตลอดเวลา เพื่อช่วยในการควบคุมเครื่องมือไฟฟ้าได้ดียิ่งขึ้นในสถานการณ์ที่ไม่คาดคิด

ฉ) แต่งกายให้เหมาะสม ห้ามสวมเสื้อผ้าหลวมหรือใส่เครื่องประดับ รวบผม ชายเสื้อ และถุงมือให้ห่างจากชิ้นที่กำลังหมุน เสื้อผ้าที่หลวมหรือยาร่วมร่วม เครื่องประดับ หรือผมที่ยาวอาจเข้าไปพันกับชิ้นส่วนที่กำลังหมุน

ช) หากมีอุปกรณ์สำหรับดูดและเก็บฝุ่น ต้องตรวจสอบให้แน่ใจว่าได้เชื่อมต่อและใช้งานอุปกรณ์นั้นอย่างเหมาะสม การใช้อุปกรณ์เก็บฝุ่นสามารถลดอันตรายที่เกิดจากฝุ่นได้

### 4) การใช้และการดูแลรักษาเครื่องมือไฟฟ้า

ก) ห้ามฝนใช้เครื่องมือไฟฟ้า เลือกใช้เครื่องมือไฟฟ้าที่ถูกต้องตรงกับลักษณะการใช้งานของคุณ เครื่องมือไฟฟ้าที่ถูกต้องย่อมทำงานได้ดีกว่าและปลอดภัยกว่าตามขีดความสามารถของเครื่องมือที่ได้รับการออกแบบมา

ข) ห้ามใช้เครื่องมือไฟฟ้าถ้าสวิตช์เปิดปิดเครื่องไม่ทำงาน เครื่องมือไฟฟ้าที่ไม่สามารถควบคุมผ่านสวิตช์ได้ ถือว่ามีอันตรายและต้องส่งซ่อม

ค) ถอดปลั๊กของเครื่องมือไฟฟ้าออกจากแหล่งจ่ายไฟและ/หรือแบตเตอรี่ก่อนทำการปรับแต่ง เปลี่ยนอุปกรณ์เสริม หรือจัดเก็บเครื่องมือไฟฟ้า มาตรการเพื่อความปลอดภัยเชิงการป้องกันนี้จะช่วยลดความเสี่ยงในการเผลอเปิดเครื่องให้ทำงานโดยไม่ได้ตั้งใจ

ง) เก็บเครื่องมือไฟฟ้าที่ไม่ใช้งานไว้ให้พ้นมือเด็ก และไม่อนุญาตให้บุคคลที่ไม่คุ้นเคยกับเครื่องมือไฟฟ้าหรือคำแนะนำเหล่านี้เป็นผู้ใช้เครื่องมือ เครื่องมือไฟฟ้าจะเป็นอันตรายหากอยู่ในมือผู้ใช้ที่ไม่มี ความชำนาญ

จ) บำรุงรักษาเครื่องมือไฟฟ้า ตรวจสอบหาส่วนที่บิดเบี้ยวและการติดขัดในส่วนที่เคลื่อนที่ได้ ชิ้นส่วนที่แตกหัก และสภาพอื่น ๆ ที่อาจส่งผลกระทบต่อการทำงานของเครื่องมือไฟฟ้า หากชำรุดเสียหาย ให้ นำเครื่องมือไปส่งซ่อมก่อนนำมาใช้ อุบัติเหตุจำนวนมากเกิดจากการดูแลรักษาเครื่องมือไฟฟ้าไม่ดีพอ

- ฉ) เครื่องมือตัดต้องคมและสะอาดอยู่เสมอ เครื่องมือตัดที่ได้รับการดูแลรักษาอย่างถูกต้องและมีขอบตัดคม จะมีปัญหาติดขัดน้อย และควบคุมได้ง่ายกว่า
- ช) ใช้เครื่องมือไฟฟ้า อุปกรณ์เสริม และดอกสว่าน เป็นต้น ตามคำแนะนำสำหรับสิ่งเหล่านี้ โดยพิจารณาถึงสภาพการทำงานและงานที่ทำเป็นสำคัญ การใช้เครื่องมือไฟฟ้าทำงานอื่นนอกเหนือจากที่กำหนดไว้อาจก่อให้เกิดอันตรายได้

5) การใช้และการดูแลรักษาแบตเตอรี่

- ก) ชาร์จแบตเตอรี่ด้วยแท่นชาร์จที่ผู้ผลิตแนะนำเท่านั้น แท่นชาร์จที่เหมาะสมกับก้อนแบตเตอรี่แบบหนึ่งอาจทำให้เกิดไฟไหม้ได้ถ้านำมาใช้ร่วมกับก้อนแบตเตอรี่อีกแบบหนึ่ง
- ข) ใช้เครื่องมือไฟฟ้าเฉพาะกับก้อนแบตเตอรี่ที่ออกแบบมาเป็นพิเศษเท่านั้น การใช้ก้อนแบตเตอรี่แบบอื่นอาจทำให้เกิดการบาดเจ็บหรือเกิดไฟไหม้ได้
- ค) เมื่อไม่ได้ใช้ก้อนแบตเตอรี่ ให้เก็บออกห่างจากวัตถุอื่น ๆ ที่เป็นโลหะ เช่น คลิปหนีบกระดาษ เหรียญ กุญแจ ตะปู สกรูหรือวัตถุขนาดเล็กอื่น ๆ ที่ทำจากโลหะ ที่อาจทำให้เกิดการเชื่อมต่อจากขั้วหนึ่งไปอีกขั้วหนึ่งได้ การลัดวงจรบริเวณขั้วแบตเตอรี่อาจทำให้เกิดรอยไหม้หรือไฟไหม้ได้
- ง) เมื่ออยู่ภายใต้สภาวะที่ไม่เหมาะสมอาจมีของเหลวไหลออกมาจากแบตเตอรี่ ให้หลีกเลี่ยงการสัมผัสกับของเหลวนั้น หากไปสัมผัสโดยไม่ตั้งใจ ให้ล้างด้วยน้ำปริมาณมาก หากของเหลวกระเด็นเข้าตา ควรรีบไปพบแพทย์ ของเหลวที่ออกมาจากแบตเตอรี่อาจทำให้เกิดอาการระคายเคืองหรือรอยไหม้ได้

6) การบริการ

- ก) ให้ช่างซ่อมที่มีความเชี่ยวชาญเป็นผู้ซ่อมเครื่องมือ และใช้อะไหล่แท้เท่านั้น ซึ่งจะช่วยให้มั่นใจได้ว่าเครื่องมือไฟฟ้ายังมีความปลอดภัยอยู่

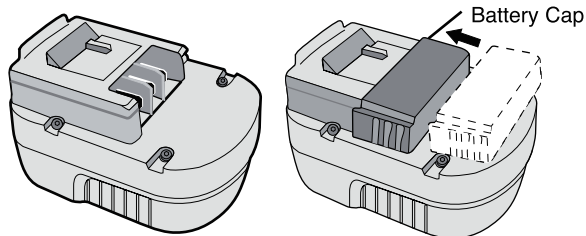
เก็บรักษาคำแนะนำเหล่านี้ไว้

ป้ายบนเครื่องมือของคุณอาจมีสัญลักษณ์ต่อไปนี้

- |          |                           |                      |                                  |
|----------|---------------------------|----------------------|----------------------------------|
| V .....  | โวลต์                     | A .....              | แอมแปร์                          |
| Hz ..... | เฮิร์ตซ์                  | W.....               | วัตต์                            |
| min..... | นาที                      | ~.....               | กระแสสลับ                        |
| == ..... | กระแสตรง                  | n <sub>0</sub> ..... | ความเร็วขณะไม่มีโหลด             |
| ☐.....   | โครงสร้างคลาส II          | ⊕.....               | ขั้วต่อลงดิน                     |
| △.....   | สัญลักษณ์เตือนความปลอดภัย | .../min .....        | รอบการหมุนหรือรอบการทำงานต่อนาที |

ข้อมูลเกี่ยวกับฝาแบตเตอรี่

รังเก็บแบตเตอรี่และฝาหุ้มไว้สำหรับใช้งานในเวลาที่ไม่ได้ใช้ในเครื่องมือหรือแท่นชาร์จ ให้ถอดฝานี้ออกก่อนใส่แบตเตอรี่ลงในแท่นชาร์จหรือเครื่องมือ



⚠ คำเตือน: อันตรายจากไฟไหม้ อย่าเก็บหรือถือแบตเตอรี่ในลักษณะที่วัตถุที่ทำด้วยโลหะอาจสัมผัสถูกขั้วแบตเตอรี่ได้ ตัวอย่างเช่น อย่าวางแบตเตอรี่ไว้ในกระบุงโลหะ กระเป๋า กล่องเครื่องมือ กล่องเก็บชุดผลิตภัณฑ์ ลินซ์ก เป็นต้น ที่มีตะปู สกรู หรือก๊วยแจ เป็นต้น การขนย้ายแบตเตอรี่อาจทำให้เกิดไฟไหม้ได้ ถ้าขั้วแบตเตอรี่สัมผัสกับวัตถุตัวนำ เช่น ก๊วยแจ เหรียญ และเครื่องมืออื่น ๆ ทำนองนี้โดยไม่ตั้งใจ

1. เครื่องพรวนดิน GC818

2. แผ่นครอบกัน

3. ชุดแท่งพรวน (x 2)

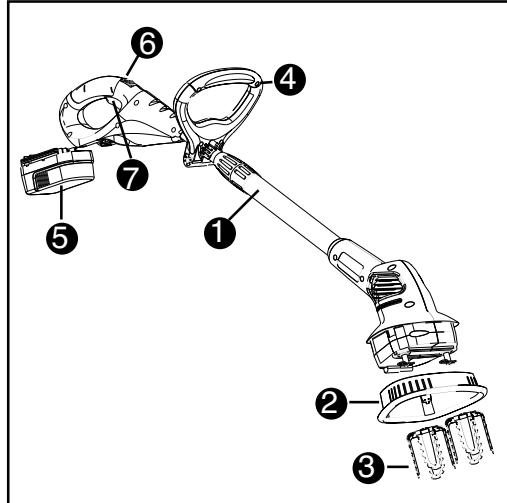
4. มือจับเสริม

5. แบตเตอรี่

6. ปุ่มล๊อค

7. สวิตช์โก

แท่นชาร์จ (ไม่ได้แสดง)





## ⚠ คำเตือนและคำแนะนำด้านความปลอดภัย

### การชาร์จแบตเตอรี่

1. คู่มือนี้ประกอบด้วยคำแนะนำด้านการใช้งานและความปลอดภัยที่สำคัญ
2. ก่อนใช้งานแท่นชาร์จแบตเตอรี่ให้อ่านคำแนะนำและสัญลักษณ์เตือนทั้งหมดบน (1) แท่นชาร์จแบตเตอรี่, (2) ก้อนแบตเตอรี่ และ (3) ผลิตภัณฑ์ที่ใช้แบตเตอรี่
3. ⚠ **ข้อควรระวัง:** เพื่อลดความเสี่ยงของการบาดเจ็บ ให้ใช้แบตเตอรี่ของ Black & Decker เท่านั้นบนแบตเตอรี่ชนิดอื่น ๆ อาจระเบิดทำให้เกิดการบาดเจ็บและความเสียหายได้
4. อย่าให้แท่นชาร์จถูกฝนหรือหิมะ
5. การใช้อุปกรณ์ยึดติดที่ Black & Decker ไม่ได้แนะนำหรือจำหน่ายอาจมีความเสี่ยงที่จะเกิดไฟไหม้ไฟฟ้าช็อต หรือทำให้บาดเจ็บได้
6. เวลาถอดแท่นชาร์จออกควรดึงที่ตัวปลั๊กแทนการดึงที่สายไฟเพื่อลดความเสี่ยงต่อการชำรุดเสียหายของปลั๊กเสียบและสายไฟ
7. ตรวจสอบให้แน่ใจว่าสายไฟไม่อยู่ในตำแหน่งที่ถูกเหยียบ เตะ สดุด หรือกรณีอื่นใดที่อาจก่อให้เกิดความเสียหายหรือความเครียดในสายได้
8. ไม่ควรใช้สายพ่วงเว้นแต่จำเป็นจริง ๆ การใช้สายพ่วงที่ไม่เหมาะสมอาจทำให้เสี่ยงต่อการเกิดไฟไหม้ไฟฟ้าช็อต หรืออันตรายจากไฟฟ้าจนถึงแก่ชีวิตได้
9. เมื่อจะชาร์จแบตเตอรี่ ให้ใช้แท่นชาร์จที่เหมาะสมเท่านั้น การใช้แท่นชาร์จอื่น ๆ อาจทำให้แบตเตอรี่เสียหายหรือก่อให้เกิดสภาพที่เป็นอันตรายได้
10. เวลาชาร์จให้ใช้แท่นชาร์จเพียงเครื่องเดียวเท่านั้น
11. อย่าพยายามเปิดแท่นชาร์จหรือชุดแบตเตอรี่ ไม่มีชิ้นส่วนใดที่ลูกค้าสามารถซ่อมแซมเองได้ ให้นำกลับไปยังศูนย์บริการ Black & Decker ที่ได้รับอนุญาต
12. ห้ามเผาแบตเตอรี่แม้ว่าแบตเตอรี่นั้นจะได้รับความเสียหายอย่างร้ายแรงหรือใช้งานจนหมดไฟแล้วก็ตาม
13. ห้ามเผาแบตเตอรี่ แบตเตอรี่สามารถระเบิดได้ในเปลวไฟ อาจมีของเหลวรั่วไหลออกจากเซลล์แบตเตอรี่เกิดจากการใช้งาน การชาร์จ หรือสภาพอุณหภูมิที่สูงเกินไป นี้ไม่ได้บ่งบอกว่าแบตเตอรี่เสีย อย่างไรก็ตาม หากซิลิกายนอกแตกและการรั่วไหลนี้สัมผัสโดนผิวหนังของคุณ ให้
  - ก. ล้างด้วยสบู่และน้ำโดยเร็ว
  - ข. ทำให้เป็นกลางด้วยกรดอ่อน ๆ เช่น น้ำมะนาวหรือน้ำส้มสายชู
  - ค. ถ้าของเหลวจากแบตเตอรี่เข้าตา ให้ล้างด้วยน้ำสะอาดปริมาณมากเป็นเวลาอย่างน้อย 10 นาที และรีบไปพบแพทย์ทันที **หมายเหตุทางการแพทย์:** ของเหลวนี้เป็นสารละลายโพแทสเซียมไฮดรอกไซด์ 25-35%

## คำแนะนำด้านความปลอดภัยในการชาร์จที่สำคัญ

### ขั้นตอนการชาร์จ

ชุดแบตเตอรี่ไม่ได้ชาร์จเต็มมาจากโรงงาน ให้ชาร์จแบตเตอรี่อย่างน้อย 9 ชั่วโมงก่อนใช้งาน

1. เสียบปลั๊กแท่นชาร์จเข้ากับเต้ารับ (รูป A)

2. เลื่อนแท่นชาร์จลงบนชุดแบตเตอรี่ตามที่แสดงในรูป B และปล่อยให้ชาร์จแบตเตอรี่ครั้งแรกเป็นเวลา **9 ชั่วโมง** หลังจากการชาร์จครั้งแรก และภายใต้การใช้งานปกติ ชุดแบตเตอรี่ของคุณควร จะได้รับการชาร์จไฟให้เต็มภายใน **6 ถึง 9 ชั่วโมง**
  - 2ก) ระหว่างที่ชาร์จ ไฟ LED สีเขียวจะสว่าง
  - 2ข) เมื่อชาร์จเสร็จ ไฟ LED สีเขียวจะดับ
  3. ถอดปลั๊กแท่นชาร์จ และถอดชุดแบตเตอรี่ออก ใส่แบตเตอรี่ลงในเครื่องมือจนได้ยินเสียง "คลิก" แสดงว่าเข้าที่
- หมายเหตุ:** ถ้าต้องการถอดชุดแบตเตอรี่ออก ให้กดปุ่มปลดที่อยู่ด้านหลังของชุดแบตเตอรี่ และเลื่อนออก (รูป C)

### หมายเหตุสำคัญสำหรับการชาร์จ

1. หลังจากการใช้งานปกติ ชุดแบตเตอรี่ของคุณควร จะได้รับการชาร์จไฟให้เต็มภายใน **6 ถึง 9 ชั่วโมง** ถ้าใช้แบตเตอรี่จนไฟหมด อาจต้องใช้เวลาราว **9 ชั่วโมง** ในการชาร์จไฟให้เต็ม แบตเตอรี่ของคุณส่ง ออกจากโรงงานในสภาพที่ยังไม่ได้ชาร์จไฟ ก่อนนำไปใช้งาน ต้องชาร์จไฟอย่างน้อย **9 ชั่วโมง**
2. ห้ามชาร์จแบตเตอรี่ในอุณหภูมิที่ต่ำกว่า +40°F (+4.5°C) หรือสูงกว่า +105°F (+40.5°C) สิ่งนี้ สำคัญมาก และจะป้องกันไม่ให้เกิดความเสียหายร้ายแรงกับชุดแบตเตอรี่ การชาร์จแบตเตอรี่ที่ อุณหภูมิ 75°F (24°C) จะให้อายุการใช้งานที่ยืนยาวและประสิทธิภาพการทำงานที่ดีที่สุด
3. ในขณะที่ชาร์จ แท่นชาร์จอาจส่งเสียงเบา ๆ และสั่นสั่นแล้วรู้สึกอุ่นได้ ซึ่งถือเป็นสภาพปกติและไม่ได้ แสดงว่าเครื่องเกิดปัญหาแต่อย่างใด
4. หากแบตเตอรี่ไม่ได้ชาร์จอย่างถูกต้อง ให้ (1) ตรวจสอบกระแสไฟฟ้าที่เข้ารับด้วยการนำโคมไฟหรือ เครื่องใช้ไฟฟ้าอื่น ๆ มาเสียบดู (2) ตรวจสอบดูว่าตัวรับเชื่อมต่อกับสวิตช์ไฟว่าดับไฟเวลาคุณดับไฟ ได้หรือไม่ (3) ย้ายแท่นชาร์จและชุดแบตเตอรี่ไปในบริเวณที่มีอุณหภูมิของอากาศโดยรอบระหว่าง 40°F (+4.5°C) ถึง 105°F (+40.5°C) (4) หากตัวรับและอุณหภูมิถูกต้องแล้ว แล้วคุณยังไม่ สามารถชาร์จไฟตามปกติได้ ให้นำหรือส่งชุดแบตเตอรี่และแท่นชาร์จของคุณไปยังศูนย์บริการ Black & Decker ใกล้บ้าน
5. ควรชาร์จแบตเตอรี่ซ้ำเมื่อแบตเตอรี่ไม่สามารถจ่ายพลังงานได้เพียงพอสำหรับงานที่เคยทำได้โดย ง่าย ห้ามใช้งานเครื่องมือและแบตเตอรี่ในสภาพที่ไม่มีประจุแล้ว
6. แบตเตอรี่จะมีสมรรถนะการทำงานที่เหมาะสมที่สุดหลังจากชาร์จ 5 รอบ ระหว่างการใช้งานปกติ ไม่จำเป็นต้องใช้งานแบตเตอรี่จนหมดเกลี้ยงก่อนที่จะชาร์จใหม่ การใช้งานปกติเป็นวิธีที่ดีที่สุด ในการคายประจุและชาร์จแบตเตอรี่ใหม่

### คำแนะนำการเก็บรักษา

1. เก็บเครื่องมือ:
  - ก.) โดยแบตเตอรี่ถูกถอดออกและอยู่บนแท่นชาร์จ
  - ข.) เก็บไว้ในสถานที่ที่แห้งและเย็น ไม่ถูกแสงแดดส่อง และความชื้นหรือความเย็นที่มากเกินไป
  - ค.) เก็บให้พ้นมือเด็ก
2. สำหรับการเก็บเป็นเวลานาน เช่น ตลอดหน้าหนาว ควรชาร์จแบตเตอรี่ให้เต็ม แล้วถอดออกจาก แท่นชาร์จ แบตเตอรี่ควรได้รับการชาร์จอีกครั้งก่อนใช้งาน

## การทิ้งแบตเตอรี่ไว้ในแท่นชาร์จ

การทิ้งแบตเตอรี่ไว้ในแท่นชาร์จเป็นระยะเวลาานสามารถกระทำได้ แท่นชาร์จมีโหมดบำรุงรักษา ซึ่งจะชาร์จแบตเตอรี่มากพอที่จะยังคง "เต็มเต็ม" ตลอดเวลา อย่างไรก็ตาม ถ้าคาดว่าจะไม่ต้องใช้เครื่องมืออีกเป็นเวลามากกว่า 30 วัน ให้ถอดปลั๊กแท่นชาร์จ และเก็บแบตเตอรี่ไว้ในที่เย็นและแห้ง  
หมายเหตุ: แบตเตอรี่จะสูญเสียประจุเมื่อเก็บไว้นอกแท่นชาร์จ ถ้าแบตเตอรี่ไม่ได้รับการชาร์จในโหมดบำรุงรักษาตลอดเวลา อาจต้องชาร์จใหม่ก่อนนำไปใช้งาน ชุดแบตเตอรี่อาจสูญเสียประจุได้เช่นกันถ้าทิ้งไว้ในแท่นชาร์จที่ไม่ได้เสียบปลั๊กเข้ากับแหล่งจ่ายไฟสลับ

## การประกอบ

### การประกอบมือจับเสริม (รูป D)

- เลื่อนตำแหน่งมือจับไปบนก้านส่วนบนจนถึงความสูงที่ต้องการ
- ตรวจสอบให้แน่ใจว่าตัวล็อก (8) ตรงกับร่องในท่อ
- ใส่โบลท์และขันให้แน่น (9)

### การยึดก้าน (รูป E)

- คลายปลอกล็อก (10)
- ยึดก้านจนได้ความยาวที่ต้องการ
- ขันปลอกล็อกให้แน่น

### การประกอบแผ่นครอบกัน (รูป F)

1. วางให้แผ่นครอบกัน (11) ครอบเหนือตัวเครื่องส่วนล่างจากด้านล่าง (ใกล้แกนด้านนอก)
2. จัดให้แท็บล็อกตรงกับตัวเครื่อง กดแผ่นครอบกันด้วยแรงเท่า ๆ กัน จนได้ยินเสียงล็อกเข้าที่
3. ตรวจสอบให้แน่ใจว่าล็อกเข้าที่ทุกจุดอย่างถูกต้อง

**คำเตือน:** อย่าใช้งานเครื่องมือโดยที่แผ่นครอบกันไม่ได้ยึดเข้าที่เด็ดขาด

### การประกอบแท่งพรวน (รูป G)

**⚠ คำเตือน:** ปลดโก ปล่อยให้แท่งพรวนหยุดสนิท แล้วถอดแบตเตอรี่ออก

1. วางแท่งพรวน (12) ไว้บนแกน (13) ตรวจสอบให้แน่ใจว่าส่วนเรียบในรูของแท่งพรวนตรงกับส่วนเรียบบนแกน ดันแท่งพรวนให้สวมบนแกนจนสุด
2. สอดปลายด้านตรงของสลัก (14) เข้าไปในรูของแกน ดันสลักให้สุด จนกระทั่งด้านล่างของส่วนที่เป็นวงวนกับแกน
3. ทำซ้ำสำหรับแท่งพรวนอีกแท่ง ถ้าต้องการถอดแท่งพรวนออก ให้ทำขั้นตอนย้อนกลับ

### การใช้งาน (รูป H, I)

**⚠ คำเตือน:** ตรวจสอบให้แน่ใจว่าคนอื่นหรือสัตว์อยู่ห่างออกไปอย่างน้อย 20 ฟุต

1. จับเครื่องมือตามที่แสดงในรูป H
2. ยกเครื่องมือให้ห่างจากดิน
3. เลื่อนปุ่มล็อก (15) (รูป I)
4. ดึงสวิทช์โก (16) (รูป I)

สำหรับการพรวนดินครั้งแรกของแต่ละฤดู ควรจะค่อย ๆ เคลื่อนไปอย่างช้า ๆ เพราะดินจับตัวแน่น การพรวนดินครั้งต่อไปจะเสร็จเร็วขึ้น อย่าพยายามพรวนเมื่อดินเปียก ทั้งนี้เพื่อความปลอดภัยด้านไฟฟ้า และป้องกันแห่งพรวนอุดตัน ถ้าคุณต้องพรวนดินภายใต้สภาพการณ์ที่ทำให้แห่งพรวนอุดตัน ให้ปลดไถรอนกระทั่งแห่งพรวนหยุดสนิท! ถอดแบตเตอรี่! ใช้แท่งไม้หรือไขควงแคะสิ่งที่ทำให้อุดตันออก การใช้งานเครื่องมือต่อไปในสภาพที่ทำให้อุดตัน จะทำให้มอเตอร์ทำงานเกินกำลังมาก

**หมายเหตุ:** เครื่องมือนี้ติดตั้งกลไกการยึดที่จะช่วยป้องกันความเสียหายถาวรต่อเครื่องมือที่เนื่องมาจากสิ่งกีดขวางในแห่งพรวนหรือสภาพการทำงานเกินกำลัง ถ้ากลไกการยึดทำงาน เครื่องมือจะส่งเสียงคลิกดัง เสียงนี้จะอยู่ต่อไปจนกว่าสิ่งกีดขวางหรือสภาพการทำงานเกินกำลังถูกขจัดออก ถอดแบตเตอรี่ก่อนที่จะพยายามขจัดสิ่งกีดขวางออกจากแห่งพรวน กลไกการยึดนี้ไม่สามารถปรับได้โดยผู้ใช้

**⚠ ข้อควรระวัง:** อย่าพยายามเอาสิ่งอุดตันแห่งพรวนออกด้วยการปล่อยเครื่องมือให้ตกหรือเคาะกับพื้น เพราะอาจทำให้เครื่องมือชำรุดเสียหายได้

## การเก็บ

ขจัดเศษติดค้างใด ๆ ออกจากด้านนอกของเครื่องพรวนดินและด้านในของแผ่นครอบกันให้สะอาดก่อนที่จะเก็บ ดูในส่วนของคู่มือบำรุงรักษา

**⚠ ข้อควรระวัง:** อย่าแขวนบนสวิทช์ไก

หมายเหตุ: อย่าเก็บเครื่องมือไว้บนหรือติดกับปุ๋ยหรือสารเคมี การเก็บดังกล่าวอาจทำให้สึกหรออย่างรวดเร็ว

## การป้องกันการกัดกร่อน

**⚠ คำเตือน:** สวมถุงมือและอุปกรณ์ป้องกันดวงตาที่เหมาะสมเมื่อจะทำความสะอาดเครื่องมือ ปุ๋ยและสารเคมีอื่นมีสารที่เร่งการกัดกร่อนของโลหะอย่างรวดเร็ว ถ้าคุณใช้เครื่องมือในพื้นที่ได้มีการใช้ปุ๋ยหรือสารเคมีมาก่อนควรทำความสะอาดเครื่องทันทีหลังจากนั้น เช็ดส่วนด้านนอกที่มองเห็นได้ทั้งหมดด้วยผ้าชุบน้ำหมาด ๆ คุณอาจหล่อลื่นเฉพาะชิ้นส่วนที่ทำด้วยโลหะด้วยน้ำมันที่ทำจากปิโตรเลียมเบา

## การแก้ปัญหา

### ปัญหา

- เครื่องไม่เริ่มทำงาน
- แบตเตอรี่ไม่ชาร์จ

### สาเหตุที่เป็นไปได้

- ใส่แบตเตอรี่ไม่ถูกต้อง
- แบตเตอรี่ไม่ชาร์จ
- ปุ่มล๊อคทำงาน
- ไม่ได้ใส่แบตเตอรี่ไว้ในแท่นชาร์จ
- ไม่ได้เสียบปลั๊กของแท่นชาร์จ
- อุณหภูมิอากาศโดยรอบร้อนเกินไปหรือเย็นเกินไป

### วิธีแก้ปัญหาที่เป็นไปได้

- ตรวจสอบการใส่แบตเตอรี่
- ตรวจสอบข้อกำหนดการชาร์จแบตเตอรี่
- เลื่อนปุ่มล๊อคออกจากตำแหน่งล๊อค
- ใส่แบตเตอรี่ไว้ในแท่นชาร์จจนกระทั่งไฟ LED สีเขียวสว่าง
- เสียบปลั๊กแท่นชาร์จเข้ากับเต้ารับโปรดดู "หมายเหตุการชาร์จไฟที่สำคัญ" เพื่อดูรายละเอียดเพิ่มเติม
- ย้ายแท่นชาร์จและเครื่องมือไปยังบริเวณที่อุณหภูมิอากาศโดยรอบสูงกว่า 40 องศา F (4.5°C) และต่ำกว่า 105 องศา F (+40.5°C)

ในเวลาที่ทำความสะอาด อย่างจุ่มเครื่องมือลงในน้ำ หรือฉีดล้างด้วยสายยาง

## การบำรุงรักษา

เครื่องมือไฟฟ้า Black & Decker ออกแบบมาให้สามารถใช้งานได้ยาวนานต่อเนื่อง โดยที่มีการบำรุงรักษาน้อยที่สุด การที่เครื่องจะทำงานได้ดียิ่งขึ้นขึ้นอยู่กับ การดูแลรักษาเครื่องมือที่ถูกต้องและหมั่นทำความสะอาดอย่างสม่ำเสมอ แทนชาร์จของคุณไม่ได้ต้องการการบำรุงรักษาใดๆ นอกเหนือจากการทำความสะอาดเป็นประจำ

**คำเตือน!** ก่อนดำเนินการบำรุงรักษาเครื่องมือ ให้ถอดแบตเตอรี่ออกจากเครื่องมือก่อน ถอดปลั๊กแทนชาร์จออกก่อนจะทำความสะอาด

- ทำความสะอาดช่องระบายอากาศในเครื่องมือและแทนชาร์จของคุณเป็นประจำโดยใช้แปรงขนอ่อนหรือผ้าแห้ง
- ทำความสะอาดตัวมอเตอร์เป็นประจำโดยใช้ผ้าชุบน้ำหมาดๆ ห้ามใช้น้ำยาทำความสะอาดที่มีฤทธิ์กัดกร่อนหรือมีส่วนผสมของตัวทำละลาย
- เปิดตัวจับแท่งพรวนออกมาเคาะเป็นประจำเพื่อกำจัดฝุ่นที่ติดอยู่ภายใน

## การปกป้องสิ่งแวดล้อม



การเก็บรวบรวมแบบคัดแยก ห้ามทิ้งผลิตภัณฑ์นี้รวมกับขยะในครัวเรือนปกติ

หากเมื่อใดก็ตามที่จำเป็นต้องเปลี่ยนผลิตภัณฑ์ Black & Decker หรือถ้าเครื่องมือนี้ไม่เป็นประโยชน์อีกต่อไป อย่าทิ้งผลิตภัณฑ์นี้รวมกับขยะในครัวเรือน จัดการกับผลิตภัณฑ์นี้เพื่อให้พร้อมสำหรับการคัดแยกขยะ



การเก็บรวบรวมแบบคัดแยกสำหรับบรรจุภัณฑ์และผลิตภัณฑ์ที่ใช้แล้วทำให้สามารถรีไซเคิลวัสดุและนำมาใช้งานได้อีกครั้ง การนำวัสดุรีไซเคิลมาใช้ใหม่จะช่วยป้องกันมลพิษต่อสิ่งแวดล้อมและลดความต้องการวัตถุดิบ

ตามกฎระเบียบท้องถิ่นอาจมีการจัดเตรียมสถานที่สำหรับการเก็บรวบรวมแบบคัดแยกอุปกรณ์ไฟฟ้าที่ใช้ภายในครัวเรือนไว้ ณ แหล่งรับขยะของเทศบาล หรืออาจมีการรับอุปกรณ์ใช้แล้วจากผู้ค้าปลีกในกรณีที่คุณซื้อผลิตภัณฑ์ชิ้นใหม่

คุณสามารถตรวจสอบที่อยู่ของตัวแทนซ่อมที่ได้รับอนุญาตที่อยู่ใกล้คุณมากที่สุดได้โดยการติดต่อสำนักงานของ Black & Decker ในพื้นที่ของคุณตามที่อยู่ระบุในคู่มือนี้ นอกจากนี้ ยังมีรายชื่อตัวแทนซ่อมที่ได้รับอนุญาตของ Black & Decker และข้อมูลการบริการหลังการขายของเราและข้อมูลการติดต่อโดยละเอียดแสดงบนอินเทอร์เนตที่ [www.2helpU.com](http://www.2helpU.com)

## แบตเตอรี่



ใช้แบตเตอรี่ให้หมด จากนั้นถอดแบตเตอรี่ออกจากอุปกรณ์

- แบตเตอรี่ชนิด NiCd, NiMH และ Li-Ion สามารถรีไซเคิลได้ โปรดนำแบตเตอรี่เหล่านี้ไปยัง  
ตัวแทนซ่อมแซมที่ได้รับการรับรองหรือศูนย์รีไซเคิลในท้องถิ่น

## ข้อมูลการบริการ

Black & Decker มีเครือข่ายศูนย์บริการเต็มรูปแบบ ทั้งที่เป็นเจ้าของเองและศูนย์บริการที่ได้รับอนุญาตทั่วทั้งทวีปเอเชีย ศูนย์บริการ Black & Decker ทุกแห่งมีพนักงานที่ผ่านการฝึกอบรมเพื่อให้บริการเกี่ยวกับเครื่องมือไฟฟ้าได้อย่างมีประสิทธิภาพและเชื่อถือได้

ไม่ว่าคุณจะต้องการคำแนะนำด้านเทคนิค การซ่อมแซม หรืออะไหล่แท้จากโรงงาน โปรดติดต่อศูนย์ Black & Decker ใกล้บ้านคุณ

## หมายเหตุ

- เนื่องจาก Black & Decker มีนโยบายพัฒนาปรับปรุงผลิตภัณฑ์อย่างต่อเนื่อง ดังนั้น เราจึงขอสงวนสิทธิ์ในการเปลี่ยนแปลงข้อมูลจำเพาะของผลิตภัณฑ์โดยไม่ต้องแจ้งให้ทราบล่วงหน้า
- อุปกรณ์มาตรฐานและอุปกรณ์เสริมอาจแตกต่างกันในแต่ละประเทศ
- ข้อมูลจำเพาะของผลิตภัณฑ์อาจแตกต่างกันในแต่ละประเทศ
- ตัวเลือกผลิตภัณฑ์อาจมีจำหน่ายไม่ครบทุกรายการในบางประเทศ โปรดสอบถามรุ่นผลิตภัณฑ์ที่มีจำหน่ายจากตัวแทนจำหน่ายของ Black & Decker ในประเทศของคุณ

## HARAP DIBACA SEBELUM MENGEMBALIKAN PRODUK INI KARENA ALASAN APA PUN:

### INFORMASI PENTING YANG ANDA HARUS TAHU:

- Periksa dan bersihkan seluruhnya kultivator Anda di awal tiap pemakaian.
- Mata pisau di alat ini tidak ditujukan agar menjadi tajam. Jangan diasah.
- Pastikan area bebas dari orang atau binatang peliharaan lain sebelum memulai pengoperasian.
- Pastikan area kerja bebas kabel dan pipa bawah tanah.

### SIMPAN BUKU PETUNJUK INI UNTUK REFERENSI DI MASA MENDATANG.

**PERINGATAN** Baca seluruh peringatan keselamatan dan seluruh petunjuk. *Kegagalan untuk mengikuti peringatan dan instruksi dapat mengakibatkan sengatan listrik, kebakaran, dan/atau cedera berat.*

**Simpan semua peringatan dan petunjuk untuk referensi di masa mendatang.**

*Istilah "alat listrik" dalam peringatan ini merujuk pada alat listrik yang beroperasi dengan daya listrik (berkabel) atau alat listrik yang beroperasi dengan daya baterai (nirkabel).*

#### 1) Keamanan area kerja

- Jaga agar area kerja tetap bersih dan terang.** Area yang berantakan atau gelap berpotensi mengakibatkan kecelakaan.
- Jangan mengoperasikan alat listrik ini di lingkungan yang mudah menimbulkan bahaya ledakan, seperti di tempat yang terdapat cairan, gas, atau debu yang mudah terbakar.** Alat listrik memercikkan bunga api yang dapat menyulut debu atau asap.
- Jauhkan anak-anak dan orang-orang di sekitar Anda saat mengoperasikan alat listrik.** Gangguan dapat menyebabkan Anda kehilangan kendali.

#### 2) Keselamatan kelistrikan

- Steker alat listrik harus sesuai dengan stopkontak.** Jangan pernah memodifikasi steker dengan cara apa pun. Jangan gunakan steker adaptor apa pun dengan alat listrik yang dibumikan (arde). *Steker yang tidak dimodifikasi dan stopkontak yang sesuai akan mengurangi risiko sengatan listrik.*
- Hindari kontak badan dengan permukaan yang dibumikan, seperti pipa, radiator, julat, dan kulkas.** *Risiko sengatan listrik dapat meningkat jika tubuh Anda bersentuhan dengan permukaan yang dibumikan atau diardekan.*
- Jangan sampai alat listrik ini terkena hujan atau terpapar pada kondisi yang basah.** *Air yang masuk ke alat listrik akan meningkatkan risiko sengatan listrik.*
- Jangan menyalahgunakan kabel.** Jangan sekali-kali menggunakan kabel untuk membawa, menarik, atau mencabut alat listrik. Jauhkan kabel dari panas, minyak, tepi tajam, atau komponen yang bergerak. *Kabel yang rusak atau terbelit meningkatkan risiko sengatan listrik.*
- Bila mengoperasikan alat listrik di luar ruangan, gunakan kabel ekstensi yang sesuai untuk penggunaan di luar ruangan.** *Menggunakan kabel yang sesuai untuk penggunaan di luar ruangan akan mengurangi risiko sengatan listrik.*
- Jika mengoperasikan alat listrik di lokasi lembap tak dapat dihindari, gunakan catu daya yang dilindungi perangkat arus residual (RCD).** *Penggunaan RCD akan mengurangi risiko sengatan listrik.*

### 3) Keselamatan diri

- a) **Tetaplah waspada, perhatikan apa yang Anda tengah kerjakan dan gunakan akal sehat saat mengoperasikan alat listrik. Jangan menggunakan alat listrik bila Anda sedang lelah atau berada di bawah pengaruh obat, alkohol, atau pengobatan.** *Sedikit saja lengah saat mengoperasikan alat listrik dapat menyebabkan cedera diri yang parah.*
- b) **Gunakan peralatan pelindung diri. Selalu kenakan alat pelindung mata.** *Peralatan pelindung seperti masker debu, sepatu pengaman anti-selip, topi keras, atau pelindung pendengaran yang digunakan untuk kondisi yang sesuai akan mengurangi cedera diri.*
- c) **Hindarkan menyalakan alat tanpa disengaja. Pastikan sakelar dalam posisi off sebelum menyambung ke sumber listrik dan/atau baterai, mengambil atau membawa alat.** *Membawa alat listrik dengan jari Anda masih menempel pada sakelar atau menghidupkan alat listrik yang sakelarnya masih menyala akan mengakibatkan kecelakaan.*
- d) **Lepaskan semua kunci setelan atau kunci pas sebelum menghidupkan alat listrik.** *Kunci pas atau kunci yang dibiarkan terpasang pada komponen alat listrik yang berputar dapat mengakibatkan cedera diri.*
- e) **Jangan menjangkau batas. Selalu jaga pijakan dan keseimbangan yang baik.** *Ini memungkinkan kontrol yang lebih baik dalam situasi yang tidak terduga.*
- f) **Kenakan pakaian yang sesuai. Jangan mengenakan pakaian longgar atau perhiasan.** *Jauhkan rambut, pakaian, dan sarung tangan Anda dari komponen yang bergerak. Pakaian yang longgar, perhiasan, atau rambut panjang dapat tersangkut pada komponen yang bergerak.*
- g) **Jika disediakan perangkat untuk sambungan fasilitas ekstraksi dan pengumpulan debu, pastikan fasilitas tersebut tersambung dan digunakan dengan sesuai.** *Penggunaan pengumpul debu dapat mengurangi bahaya akibat debu.*

### 4) Penggunaan dan perawatan alat listrik

- a) **Jangan menggunakan alat listrik dengan paksaan. Gunakan alat listrik yang sesuai untuk aplikasi Anda.** *Alat listrik yang tepat akan bekerja lebih baik dan aman pada tingkat kelajuan yang telah dirancang untuk alat itu.*
- b) **Jangan gunakan alat listrik ini jika tombol tidak dapat menghidupkan dan mematikan alat.** *Alat listrik apa pun yang tidak dapat dikendalikan dengan tombolnya adalah berbahaya dan harus diperbaiki.*
- c) **Lepaskan stopkontak dari sumber listrik dan/atau baterai dari alat listrik sebelum alat listrik sebelum melakukan penyetulan apa pun, mengganti aksesoris, atau menyimpan alat listrik.** *Tindakan pencegahan untuk keselamatan seperti itu akan mengurangi risiko menyalakan alat listrik secara tidak disengaja.*
- d) **Simpan alat listrik yang tidak digunakan jauh dari jangkauan anak kecil dan jangan biarkan orang-orang yang tidak terbiasa dengan alat listrik atau petunjuk tersebut mengoperasikan alat listrik.** *Alat listrik dapat berbahaya bila digunakan oleh pengguna yang tidak terlatih.*
- e) **Rawat alat listrik. Periksa salah pasang atau tersangkutnya komponen bergerak, kerusakan komponen, dan kondisi lainnya yang dapat mempengaruhi pengoperasian alat listrik. Jika rusak, perbaiki alat listrik sebelum digunakan.** *Banyak kecelakaan terjadi akibat alat listrik yang tidak terawat dengan baik.*
- f) **Jaga ketajaman dan kebersihan alat pemotong.** *Alat pemotong yang dirawat dengan sesuai dengan mata pisau yang tajam tidak gampang tersangkut dan lebih mudah dikendalikan.*
- g) **Gunakan alat listrik, aksesoris, dan mata bor dsb. sesuai dengan petunjuk ini, dengan memperhatikan kondisi kerja dan pekerjaan yang akan dilakukan.** *Penggunaan alat listrik untuk pengoperasian yang tidak sesuai dengan tujuan penggunaan dapat mengakibatkan situasi yang berbahaya.*



5) Penggunaan dan perawatan alat bertenaga baterai

- a) Isi ulang daya baterai dengan pengisi daya yang ditetapkan oleh pabrikan. Pengisi daya yang cocok untuk satu tipe baterai dapat menimbulkan risiko kebakaran jika digunakan pada baterai lainnya.
- b) Gunakan alat hanya dengan baterai yang ditujukan secara khusus. Penggunaan baterai lainnya dapat menimbulkan risiko cedera dan kebakaran.
- c) Saat baterai tidak digunakan, jauhkan dari benda-benda logam, seperti penjepit kertas, uang koin, kunci, paku, sekrup, atau benda logam kecil lainnya, yang dapat membuat sambungan dari satu terminal ke terminal lainnya. Memperpendek terminal baterai bersamaan dapat menimbulkan luka bakar atau api.
- d) Pemakaian yang salah bisa menyebabkan keluarnya cairan dari baterai; hindari kontak. Jika tidak sengaja tersentuh, bilas dengan air. Jika mata terkena cairan, segera minta bantuan medis. Cairan yang keluar dari baterai dapat menyebabkan iritasi atau luka bakar.

6) Servis

- a) Alat listrik sebaiknya diservis oleh teknisi yang mahir dan hanya menggunakan komponen pengganti yang persis sama. Hal ini akan membuat keamanan alat listrik selalu terjaga.

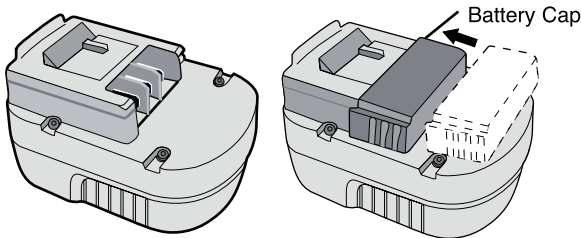
**SIMPAN PETUNJUK-PETUNJUK INI**

Label pada alat Anda dapat memuat simbol-simbol berikut ini.

- |           |                               |                      |                                    |
|-----------|-------------------------------|----------------------|------------------------------------|
| V .....   | volt                          | A .....              | ampere                             |
| Hz .....  | hertz                         | W.....               | watt                               |
| min.....  | menit                         | ~.....               | arus bolak-balik                   |
| — — ..... | arus langsung                 | n <sub>o</sub> ..... | tidak ada kecepatan beban          |
| ☐.....    | Konstruksi Kelas II           | ⊖.....               | terminal pengardean                |
| ⚠.....    | simbol peringatan keselamatan | .../min .....        | putaran atau bolak-balik per menit |

**Informasi Penutup Baterai**

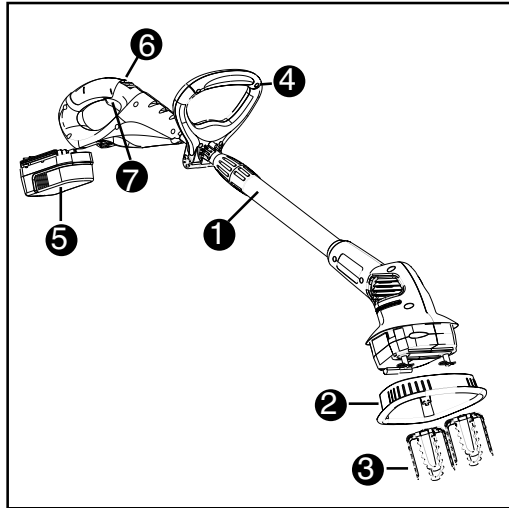
Penutup simpan dan pembawa baterai disediakan untuk digunakan tiap kali baterai ada di luar alat atau alat pengisi daya. Lepas penutup sebelum memasang baterai di alat pengisi daya atau alat.



**⚠ PERINGATAN:** Bahaya kebakaran. Jangan simpan atau membawa baterai sehingga benda logam dapat bersentuhan dengan terminal baterai yang terbuka. Misalnya, jangan letakkan baterai di celemek, saku, kotak alat, kotak kit produk, laci, dsb., dengan paku, sekrup, kunci yang longgar, dsb. Mengangkut baterai kemungkinan dapat menyebabkan kebakaran jika terminal baterai tak sengaja bersentuhan dengan benda konduktif seperti kunci, uang koin, alat tangan, dan sebagainya.

1. Kultivator GC818
2. Pelindung
3. Rakitan gerigi (x 2)
4. Pegangan tambahan
5. Kemasan baterai
6. Tombol pengunci
7. Pemicu sakelar

Alat pengisi daya (tidak ditunjukkan)



## ⚠ PERINGATAN DAN PETUNJUK KESELAMATAN

### PENGISIAN DAYA

1. Buku petunjuk ini berisi petunjuk yang penting dan petunjuk.
2. Sebelum menggunakan pengisi daya baterai, baca semua petunjuk dan tanda peringatan pada (1) pengisi baterai, (2) kemasan baterai, dan (3) produk yang menggunakan kemasan baterai.
3. ⚠ **PERHATIAN:** Untuk mengurangi risiko cedera, hanya lakukan pengisian daya untuk Baterai Black & Decker. Jenis baterai lain dapat pecah, sehingga menyebabkan cedera diri dan kerusakan.
4. Jangan paparkan pengisi daya pada hujan atau salju.
5. Penggunaan peralatan tambahan yang tidak direkomendasikan atau dijual oleh Black & Decker dapat menimbulkan risiko kebakaran, sengatan listrik, atau cedera pada orang.
6. Untuk mengurangi risiko kerusakan pada steker dan kabel, cabut steker, bukan kabel, saat melepas pengisi daya.
7. Pastikan letak kabel sudah aman agar tidak terinjak, menyebabkan tersandung, atau rentan rusak atau tertekan.
8. Kabel sambungan tidak semestinya digunakan, kecuali bila mutlak perlu. Penggunaan kabel sambungan yang tidak tepat dapat mengakibatkan risiko kebakaran, sengatan listrik, atau kematian akibat sengatan listrik.
9. Gunakan hanya pengisi daya yang disertakan saat melakukan pengisian daya pada unit Anda. Penggunaan pengisi daya lainnya dapat merusak kemasan baterai atau menyebabkan kondisi berbahaya.
10. Gunakan hanya satu pengisi daya saat melakukan pengisian daya.

11. Jangan coba membuka pengisi daya atau unit. Tidak ada komponen yang dapat diservis oleh pelanggan di dalamnya. Kembalikan ke pusat layanan resmi Black & Decker.
12. JANGAN bakar baterai sekalipun rusak parah atau aus sama sekali.
13. Jangan membakar baterai. Baterai dapat meledak jika terbakar. Kebocoran kecil cairan dari sel baterai dapat terjadi dalam kondisi penggunaan, pengisian daya, atau suhu ekstrem. Kondisi ini tidak mengindikasikan adanya kegagalan. Namun, jika segel luar rusak dan kebocoran ini mengenai kulit Anda:
  - a. Segera cuci dengan sabun dan air.
  - b. Netralkan dengan asam ringan seperti air jeruk atau cuka.
  - c. Jika cairan baterai masuk ke mata Anda, segera bilas dengan air bersih selama minimal 10 menit dan segera minta bantuan medis. **CATATAN MEDIS:** Cairan mengandung 25-35% larutan kalium hidroksida.

## PETUNJUK PENTING UNTUK KESELAMATAN PENGISIAN DAYA

### PROSEDUR PENGISIAN DAYA

#### BATERAI TIDAK SEPENUHNYA TERISI DAYA DI PABRIK. ISI DAYA BATERAI SELAMA SEDIKITNYA 9 JAM SEBELUM DIGUNAKAN.

1. Colokkan pengisi daya ke dalam stopkontak listrik (**gambar A**).
2. Geser masuk alat pengisi daya ke baterai seperti ditunjukkan dalam **gambar B** dan tunggu pengisian daya awal baterai selama **9 jam**. Setelah pengisian daya awal, dalam penggunaan normal, baterai Anda seharusnya terisi penuh dayanya dalam waktu **6 sampai 9 jam**.
  - 2a) Selama pengisian daya, lampu LED warna hijau akan menyala.
  - 2b) Saat pengisian daya selesai, lampu LED warna hijau akan padam.
3. Cabut alat pengisi daya, dan lepas baterai. **Masukkan baterai ke dalam alat hingga terdengar bunyi “klik”**.

**CATATAN:** Untuk melepas baterai, tekan tombol pelepas di bagian belakang baterai dan geser keluar (**gambar C**).

#### CATATAN PENTING UNTUK PENGISIAN DAYA

1. Setelah penggunaan normal, baterai Anda harusnya terisi daya penuh dalam waktu **6 sampai 9 jam**. Jika daya baterai benar-benar habis, butuh waktu hingga **9 jam** agar kembali terisi penuh dayanya. Baterai Anda dikirimkan dari pabrik dalam kondisi tanpa terisi daya. Sebelum mencoba menggunakannya, baterai harus diisi daya selama setidaknya **9 jam**.
2. JANGAN mengisi daya baterai dalam suhu udara di bawah  $+40^{\circ}\text{F}(+4,5^{\circ}\text{C})$ , atau di atas  $+105^{\circ}\text{F}(+40,5^{\circ}\text{C})$ . Ini penting dan akan mencegah kerusakan parah pada baterai. Masa pakai terlama dan kinerja terbaik dapat diperoleh jika baterai diisi daya saat suhu udara berada sekitar  $75^{\circ}\text{F}(24^{\circ}\text{C})$ .
3. Sewaktu mengisi daya, pengisi daya dapat mengeluarkan bunyi dengung dan menjadi hangat untuk disentuh. Kondisi ini normal dan tidak menunjukkan adanya masalah.
4. Jika baterai tidak terisi daya dengan benar—(1) Periksa arus pada stopkontak dengan mencolokkan lampu atau alat lainnya. (2) Periksa apakah stopkontak terhubung ke sakelar lampu yang mematikan daya saat Anda mematikan lampu. (3) Pindahkan alat pengisi daya dan baterai ke suhu udara lingkungan sebesar  $40^{\circ}\text{F}(+4,5^{\circ}\text{C})$  hingga  $105^{\circ}\text{F}(+40,5^{\circ}\text{C})$ . (4) Jika stopkontak dan suhu ternyata OK, dan Anda tidak mendapatkan pengisian daya yang sesuai, bawa atau kirim baterai dan alat pengisi daya ke pusat servis Black & Decker setempat Anda. Lihat Alat Listrik di halaman kuning.
5. Baterai harus diisi ulang daya saat gagal menghasilkan daya yang cukup pada pekerjaan yang mudah dilakukan sebelumnya. JANGAN LANJUTKAN menggunakan unit dengan baterai yang dalam kondisi habis.

6. Baterai akan mencapai kinerja optimal setelah menjalani 5 kali isi ulang selama penggunaan normal. Tidak perlu menguras habis daya baterai sebelum mengisi daya ulang. Penggunaan normal adalah cara terbaik mengosongkan daya dan mengisi ulang daya baterai.

### SARAN PENYIMPANAN

1. Simpan alat:
  - a.) dengan baterai dilepas dan terpasang pada alat pengisi daya.
  - b.) di tempat yang sejuk dan kering, jauh dari sinar matahari langsung dan suhu panas atau dingin berlebihan.
  - c.) jauh dari jangkauan anak kecil.
2. Untuk penyimpanan dalam waktu lama seperti selama musim dingin, baterai harus terisi daya penuh lalu dilepas dari alat pengisi daya. Baterai ini harus diisi daya lagi tepat sebelum digunakan.

### MENINGGALKAN BATERAI DALAM ALAT PENGISI DAYA

Tidak masalah meninggalkan kemasan baterai di alat pengisi daya dalam waktu lama. Alat pengisi daya memiliki mode perawatan yang memberi baterai cukup daya tetap di posisi “sudah penuh”. Namun, jika alat diperkirakan tidak akan digunakan selama lebih dari 30 hari, cabut alat pengisi daya dan simpan baterai di lokasi yang sejuk dan kering. **CATATAN:** Kemasan baterai akan kehilangan daya saat dilepas dari alat pengisi daya. Jika baterai tidak dipasang pada pengisian untuk perawatan, mungkin perlu diisi ulang daya sebelum digunakan. Baterai mungkin juga kehilangan daya jika dibiarkan pada alat pengisi daya yang tidak tersambung ke sumber AC yang sesuai.

### PERAKITAN

#### RAKITAN GAGANG BANTU (GBR. D)

- Posisikan gagang di tabung atas pada ketinggian yang diinginkan.
- Pastikan blok pengunci (8) sesuai alurnya dalam tabung.
- Rakit dan kencangkan baut (9).

#### GAGANG (GBR. E)

- Longgarkan cincin (10).
- Perluas gagang ke panjang yang diinginkan.
- Kencangkan cincin.

#### RAKITAN PELINDUNG (GBR. F)

1. Posisikan bagian tengah terbuka pelindung (11) di atas kerangka bawah dari bagian dasar (dekat poros output).
2. Selaraskan tab pengunci dengan kerangka. Tekan merata pada pelindung hingga suara pengunci terdengar.
3. Pastikan semua fitur pengunci terpasang dengan benar.

**PERINGATAN: JANGAN SEKALI-KALI MENGOPERASIKAN ALAT TANPA PELINDUNG TERPASANG ERAT.**

#### RAKITAN GERIGI (GBR. G)

**⚠ PERINGATAN:** Lepaskan pemicu, tunggu hingga gerigi berhenti sepenuhnya, lalu lepas baterai.

1. Pasang gerigi (12) di poros (13), dan pastikan bagian rata di lubang gerigi pas dengan bagian rata di poros. Pastikan untuk memasukkan gerigi di poros.

- Masukkan ujung pin lurus (14) ke lubang poros. Tekan pin seluruhnya hingga ujung gelung tenggelam di poros.
- Ulangi untuk gerigi lain. Untuk melepas gerigi, lakukan proses sebaliknya.

### PENGOPERASIAN (GBR. H,I)

**⚠ PERINGATAN:** Pastikan orang dan binatang peliharaan lainnya berjarak sejauh kurang lebih 7 meter.

- Pegang alat seperti ditunjukkan di Gambar H.
- Jauhkan unit dari tanah.
- Geser tombol pengunci (15) (Gbr. I).
- Tarik pemicu sakelar (16). (Gbr. I)

Untuk pengolahan tanah pertama tiap musim, sebaiknya gerakkan perlahan karena kotoran masih menggumpal. Pengolahan berikutnya akan diselesaikan lebih cepat. Jangan coba-coba mengolah tanah saat tanah basah - untuk keamanan dari sengatan listrik dan mencegah tersumbatnya gerigi.

Jika Anda harus mengolah tanah dalam kondisi yang menyebabkan gerigi tersumbat, lepas pemicu, tunggu hingga gerigi benar-benar berhenti! **LEPAS BATERAI!** Bersihkan bahan penyumbat dengan ranting atau obeng. Terus mengoperasikan alat dalam kondisi tersumbat akan begitu membebani motor.

**CATATAN:** Unit ini dilengkapi dengan mekanisme kopling bawaan yang digunakan untuk mencegah kerusakan permanen pada unit karena hambatan di gerigi atau kondisi kerja yang melampaui batas. Jika kopling masuk, unit akan menghasilkan suara klik yang nyaring. Suara ini akan terus terdengar hingga hambatan atau kondisi beban berlebih diatasi. Lepas baterai sebelum mencoba melepas hambatan dari gerigi. Mekanisme kopling tidak dapat disesuaikan oleh pengguna.

**⚠ PERHATIAN:** Jangan coba-coba membersihkan gerigi dengan menjatuhkan atau mengetuk-ngetukkan alat di tanah. Ini dapat merusak unit.

### PENYIMPANAN

Buang dan bersihkan kotoran apa pun dari luar kultivator dan di dalam pelindung sebelum disimpan. Lihat bagian PERAWATAN.

**⚠ PERHATIAN: JANGAN GANTUNG PEMICU SAKELAR**

Catatan: Jangan simpan alat di atau dekat pupuk atau bahan kimia. Penyimpanan semacam itu dapat menyebabkan cepat berkarat.

### MENCEGAH KARAT

**⚠ PERINGATAN:** Pakai sarung tangan dan pelindung mata yang sesuai saat membersihkan alat. Pupuk dan bahan kimia kebun mengandung bahan yang sangat mempercepat karat logam. Jika Anda menggunakan alat di area di mana pupuk atau bahan kimia telah digunakan, alat harus segera dibersihkan setelah itu.

Bersihkan semua komponen yang terbuka dengan kain lembap. Anda hanya boleh melumasi komponen logam dengan oli berbahan bensin ringan.

### PENANGANAN MASALAH

#### Masalah

- Unit tidak mau menyala.

#### Kemungkinan Penyebab

- Baterai tidak dipasang dengan benar.
- Baterai tidak terisi daya.
- Tombol pengunci aktif.

#### Kemungkinan Solusi

- Periksa pemasangan baterai.
- Periksa kebutuhan pengisian daya baterai.
- Pindahkan tombol pengunci dari posisi aktif.

- Baterai tidak mau terisi daya.
- Baterai tidak dipasang di alat pengisi daya.
- Alat pengisi daya tidak dicolokkan.
- Suhu udara sekitar terlalu panas atau terlalu dingin.
- Masukkan baterai ke dalam alat pengisi daya hingga lampu LED warna hijau menyala.
- Colokkan alat pengisi daya ke stopkontak yang berfungsi. Baca “Catatan Penting untuk Pengisian Daya” untuk detail selengkapnya.
- Pindahkan alat pengisi daya dan alat ke suhu udara sekitar sebesar 40 derajat F(4.5°C) atau di bawah 105 derajat F (+40.5°C).

Saat membersihkan, JANGAN rendam alat dalam air atau semprot dengan selang.

## PEMELIHARAAN

Alat Black & Decker Anda telah dirancang untuk beroperasi pada periode waktu yang lama dengan perawatan minimum. Pengoperasian yang senantiasa memuaskan tergantung pada perawatan alat yang sesuai dan pembersihan berkala. Alat pengisi daya Anda tidak butuh perawatan apa pun selain pembersihan berkala.

**Peringatan!** Sebelum melakukan perawatan apa pun pada alat, lepaskan dulu baterai dari alat. Lepas pengisi daya sebelum membersihkannya.

- Bersihkan celah ventilasi pada alat dan pengisi daya secara teratur dengan menggunakan sikat lembut atau lap kering.
- Bersihkan kerangka motor secara teratur dengan menggunakan kain bersih yang lembap. Jangan gunakan bahan pembersih abrasif atau berbahan dasar larutan apa pun.
- Buka gagang secara berkala dan ketuk-ketuk untuk mengeluarkan debu dari bagian dalam alat.

## Melindungi lingkungan



Pengumpulan terpisah. Produk ini tidak boleh dibuang bersama limbah rumah tangga biasa.

Jika produk Black & Decker Anda perlu diganti, atau tidak lagi digunakan, jangan buang bersama sampah rumah tangga. Pisahkan pengumpulan produk ini.



Pengumpulan produk dan kemasan bekas secara terpisah memungkinkan material untuk didaur ulang dan digunakan lagi. Penggunaan kembali bahan daur ulang membantu mencegah pencemaran lingkungan dan mengurangi kebutuhan bahan baku.

Undang-undang setempat mungkin memfasilitasi pengumpulan produk-produk elektronik terpisah dari sampah rumah tangga, di tempat pembuangan sampah kota atau oleh pedagang ritel pada saat Anda membeli produk baru.

Black & Decker menyediakan fasilitas untuk pengumpulan dan pendaurulangan produk Black & Decker yang telah mencapai akhir masa pakainya. Untuk memanfaatkan layanan ini, harap kembalikan produk Anda kepada agen reparasi resmi yang akan mengumpulkannya atas nama kami.

Anda dapat menemukan lokasi agen reparasi resmi terdekat dengan Anda dengan menghubungi kantor Black & Decker setempat di alamat yang tercantum pada buku petunjuk ini. Cara lainnya, daftar agen perbaikan Black & Decker resmi serta informasi terperinci layanan purnajual dan kontak kami tersedia di Internet di: [www.2helpU.com](http://www.2helpU.com)

### Baterai



Kosongkan baterai sama sekali, lalu lepas dari alat.

- Baterai-baterai NiCd, NiMH, dan Li-Ion dapat didaur ulang. Bawalah ke agen reparasi resmi atau pangkalan daur ulang setempat.

### Informasi Servis

Black & Decker menawarkan jaringan lengkap milik perusahaan dan lokasi servis resmi di seluruh Asia. Semua Pusat Layanan Black & Decker memiliki staf terlatih agar dapat memberikan layanan alat listrik yang efisien dan andal kepada konsumen.

Bilamana Anda memerlukan saran teknis, perbaikan, atau komponen pengganti asli pabrik, hubungi lokasi Black & Decker yang terdekat dengan tempat Anda.

### CATATAN

- Kebijakan Black & Decker merupakan salah satu peningkatan yang berkelanjutan pada produk kami dan karenanya, kami berhak mengubah spesifikasi produk tanpa pemberitahuan sebelumnya.
- Perlengkapan dan aksesoris standar mungkin akan berbeda di setiap negara.
- Spesifikasi produk dapat berbeda menurut negara.
- Rangkaian produk lengkap mungkin tidak tersedia di semua negara. Untuk mengetahui ketersediaan produk, hubungi dealer Black & Decker setempat.

## VUI LÒNG ĐỌC TRƯỚC KHI TRẢ LẠI SẢN PHẨM NÀY VÌ BẤT CỨ LÝ DO NÀO:

### THÔNG TIN CHÍNH CẦN BIẾT:

- Kiểm tra và vệ sinh kỹ máy xới mỗi lần bắt đầu sử dụng.
- Các lưỡi xới của dụng cụ này không được để sắc. Không được mài sắc.
- Trước khi bắt đầu vận hành dụng cụ, đảm bảo không có người nào khác hoặc vật nuôi trong khu vực.
- Đảm bảo không có các đường dây và đường ống ngầm trong khu vực.

### GIỮ LẠI SỔ TAY HƯỚNG DẪN NÀY ĐỂ THAM KHẢO VỀ SAU.

**CẢNH BÁO:** Đọc tất cả các cảnh báo và hướng dẫn về an toàn. Việc không tuân theo các cảnh báo và hướng dẫn có thể dẫn đến điện giật, cháy nổ và/hoặc chấn thương nghiêm trọng.

Giữ lại tất cả các cảnh báo và hướng dẫn để tham khảo về sau. Thuật ngữ “dụng cụ điện cầm tay” trong phần cảnh báo chỉ thiết bị chạy bằng điện nguồn (có dây điện) hoặc thiết bị chạy bằng pin (không có dây điện).

#### 1) An toàn tại nơi làm việc

- Giữ cho nơi làm việc luôn sạch sẽ và đủ ánh sáng. Những khu vực bừa bộn hoặc thiếu ánh sáng dễ gây tai nạn.
- Không vận hành dụng cụ điện cầm tay trong các môi trường dễ cháy nổ, như các môi trường có chất lỏng dễ cháy, khí ga hoặc bụi. Dụng cụ điện cầm tay tạo ra các tia lửa điện có thể gây cháy bụi hoặc bốc khói.
- Không cho trẻ em và những người không liên quan lại gần khi đang vận hành dụng cụ điện cầm tay. Những lúc xao lãng có thể khiến bạn mất kiểm soát.

#### 2) An toàn điện

- Phích cắm của dụng cụ điện cầm tay phải vừa với ổ cắm. Không được sửa đổi phích cắm dưới bất kỳ hình thức nào. Không được sử dụng các phích cắm chuyển đổi với những dụng cụ điện cầm tay có nối đất. Phích cắm nguyên gốc và ổ cắm phù hợp sẽ giảm nguy cơ bị điện giật.
- Tránh tiếp xúc với các bề mặt được nối đất như đường ống, lò sưởi, bếp nướng và tủ lạnh. Nguy cơ bị điện giật sẽ cao hơn nếu cơ thể bạn nối đất.
- Không để dụng cụ điện cầm tay trong những điều kiện ẩm ướt hoặc ngâm nước mưa. Nước vào dụng cụ điện cầm tay sẽ làm tăng nguy cơ bị điện giật.
- Không sử dụng dây điện vào các mục đích khác. Tuyệt đối không sử dụng dây điện để mang, kéo hoặc rút phích cắm dụng cụ điện cầm tay. Để dây điện cách xa nguồn nhiệt, dầu mỡ, các cạnh sắc hoặc các bộ phận chuyển động. Dây điện bị hỏng hoặc bị vướng sẽ làm tăng nguy cơ bị điện giật.
- Khi vận hành dụng cụ điện cầm tay ngoài trời, hãy sử dụng dây nối dài phù hợp để sử dụng ngoài trời. Sử dụng dây điện phù hợp để sử dụng ngoài trời sẽ giảm nguy cơ bị điện giật.
- Nếu bắt buộc phải vận hành dụng cụ điện cầm tay ở nơi ẩm ướt, hãy sử dụng nguồn được bảo vệ bởi thiết bị ngắt mạch tự động (RCD). Sử dụng RCD sẽ giảm nguy cơ bị điện giật.



## 3) An toàn cá nhân

- a) **Hãy tập trung, chú ý vào những gì bạn đang làm và tinh táo khi vận hành dụng cụ điện cầm tay.** Không được sử dụng dụng cụ điện cầm tay khi bạn đang mệt hoặc chịu ảnh hưởng của rượu bia, ma túy hoặc chất kích thích. Một khoảnh khắc mất tập trung trong khi vận hành dụng cụ điện cầm tay có thể dẫn đến chấn thương cá nhân nghiêm trọng.
- b) **Sử dụng các thiết bị bảo hộ cá nhân.** Luôn đeo kính bảo hộ. Thiết bị bảo hộ như mặt nạ chống bụi, giày chống trượt, mũ cứng hoặc thiết bị bảo vệ tai nếu được sử dụng ở những điều kiện phù hợp sẽ giúp giảm các chấn thương cá nhân.
- c) **Tránh bật máy không chủ định.** Đảm bảo rằng công tắc ở vị trí tắt trước khi nối với nguồn điện và/hoặc pin, khi cầm lên hoặc mang dụng cụ. Mang dụng cụ điện cầm tay khi ngón tay đặt vào công tắc hoặc cấp điện cho dụng cụ điện cầm tay khi công tắc đang bật có thể gây tai nạn.
- d) **Hãy tháo hết khóa điều chỉnh hoặc cờ lê trước khi bật dụng cụ điện cầm tay.** Cờ lê hoặc khóa vẫn để ở bộ phận quay của dụng cụ điện cầm tay có thể dẫn đến chấn thương cá nhân.
- e) **Không được với tay.** Hãy đứng ở tư thế thích hợp và luôn giữ thăng bằng. Điều đó giúp kiểm soát dụng cụ điện cầm tay tốt hơn trong các tình huống không thể lường trước.
- f) **Mặc quần áo phù hợp.** Không được mặc quần áo rộng hoặc đeo đồ trang sức. Giữ cho tóc, quần áo và giày tay tránh xa khỏi các bộ phận chuyển động. Quần áo rộng, đồ trang sức hoặc tóc dài có thể bị vướng vào các bộ phận chuyển động.
- g) **Nếu các thiết bị được cung cấp để nối các phương tiện hút hoặc gom bụi, hãy đảm bảo những thiết bị này được nối và sử dụng đúng cách.** Sử dụng thiết bị gom bụi có thể giảm các nguy cơ liên quan đến bụi.

## 4) Sử dụng và bảo quản dụng cụ điện cầm tay

- a) **Sử dụng dụng cụ điện cầm tay phù hợp.** Sử dụng dụng cụ điện cầm tay phù hợp với mục đích của bạn. Dụng cụ điện cầm tay phù hợp sẽ giúp cho công việc tốt hơn và an toàn hơn theo đúng tốc độ được thiết kế.
- b) **Không sử dụng dụng cụ điện cầm tay nếu công tắc không bật và tắt được.** Những dụng cụ điện cầm tay không điều khiển được bằng công tắc đều rất nguy hiểm và cần phải được sửa chữa.
- c) **Rút phích cắm khỏi nguồn điện và/hoặc lấy pin ra khỏi dụng cụ điện cầm tay trước khi thực hiện các điều chỉnh, thay đổi phụ kiện, hoặc cất giữ dụng cụ điện cầm tay.** Các biện pháp an toàn phòng ngừa đó giúp giảm nguy cơ vô tình khởi động dụng cụ điện cầm tay.
- d) **Bảo quản các dụng cụ điện cầm tay không sử dụng tránh xa tầm tay trẻ em và không cho phép những người không quen với dụng cụ điện cầm tay hoặc những hướng dẫn này vận hành dụng cụ điện cầm tay.** Dụng cụ điện cầm tay sẽ rất nguy hiểm khi được sử dụng bởi những người chưa được huấn luyện.
- e) **Bảo trì dụng cụ điện cầm tay.** Kiểm tra các bộ phận chuyển động xem có bị lắp lệch hoặc kẹt không, các bộ phận có bị vỡ không và bất kỳ tình trạng nào khác có thể ảnh hưởng đến việc vận hành dụng cụ điện cầm tay. Nếu dụng cụ điện cầm tay bị hỏng, hãy sửa chữa trước khi sử dụng. Rất nhiều tai nạn xảy ra do công tác bảo trì các dụng cụ điện cầm tay kém.
- f) **Đảm bảo các dụng cụ cắt luôn sắc và sạch sẽ.** Các dụng cụ cắt được bảo trì đúng cách với các cạnh cắt sắc sẽ ít bị kẹt hơn và dễ điều khiển hơn.
- g) **Sử dụng dụng cụ điện cầm tay, các phụ kiện và mũi khoan, v.v. theo các chỉ dẫn này, chú ý đến điều kiện làm việc và công việc cần thực hiện.** Sử dụng dụng cụ điện cầm tay sai mục đích có thể gây nguy hiểm.

**5) Sử dụng và bảo quản pin**

- a) **Chỉ sạc lại pin bằng bộ sạc do nhà sản xuất quy định.** Bộ sạc chỉ thích hợp cho một loại pin có thể tạo nguy cơ cháy khi được sử dụng với loại pin khác.
- b) **Chỉ sử dụng dụng cụ điện cầm tay với các loại pin được chỉ định cụ thể.** Sử dụng các loại pin khác có thể tạo nguy cơ bị chấn thương và nguy cơ cháy.
- c) **Khi không sử dụng pin, để pin xa các vật dụng kim loại như kẹp giấy, tiền đồng, chìa khóa, đinh, vít, hay các vật dụng kim loại nhỏ khác có thể tạo kết nối từ cực này sang cực khác.** Trường hợp các cực của pin bị chạm mạch với nhau có thể gây ra hỏa hoạn.
- d) **Nếu lạm dụng, chất lỏng có thể chảy ra từ pin; cần tránh tiếp xúc. Nếu vô tình tiếp xúc, rửa lại bằng nước. Nếu chất lỏng dính vào mắt, hãy tìm kiếm trợ giúp y tế. Chất lỏng chảy ra từ pin có thể gây kích ứng hoặc bỏng da.**

**6) Bảo dưỡng**

- a) **Hãy mang dụng cụ điện cầm tay đi bảo dưỡng bởi nhân viên bảo dưỡng có chuyên môn, chỉ sử dụng các phụ kiện thay thế chính hãng.** Điều này giúp duy trì mức độ an toàn của dụng cụ điện cầm tay.

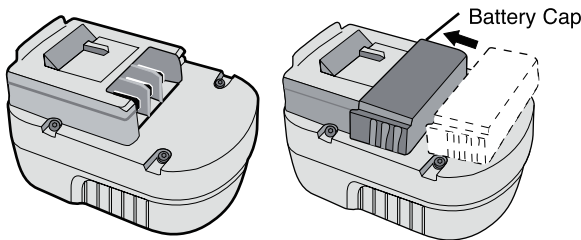
**GIỮ LẠI CÁC HƯỚNG DẪN NÀY**

Trên dụng cụ của bạn có thể có những ký hiệu sau.

- |             |                             |                      |   |
|-------------|-----------------------------|----------------------|---|
| V .....     | Vôn                         | A .....              | Ampe  |
| Hz .....    | Héc                         | W.....               | Watt  |
| min.....    | phút                        | ~.....               | dòng xoay chiều                                 |
| — — — ..... | dòng một chiều              | n <sub>o</sub> ..... | tốc độ không tải                                |
| □.....      | Cấu tạo 2 lớp               | ⊖.....               | cực nối đất                                     |
| △.....      | biểu tượng cảnh báo an toàn | .../min .....        | số vòng quay hoặc số lần qua lại trong một phút |

**Thông tin về nắp hộp pin**

Hộp pin và nắp hộp pin được sử dụng khi tháo pin ra khỏi dụng cụ hoặc bộ sạc. Tháo nắp trước khi lắp pin vào bộ sạc hoặc dụng cụ.



**⚠ CẢNH BÁO: Nguy cơ cháy nổ. Không cất giữ hoặc cầm pin khi các vật bằng kim loại có thể tiếp xúc với các cực pin hở.** Ví dụ, không được để pin trong tạp dề, túi, hộp dụng cụ, hộp đựng bộ sản phẩm, ngăn kéo, v.v. cùng với đinh, vít, chìa khóa, v.v. **Việc vận chuyển pin có thể gây cháy nổ nếu các cực pin vô tình tiếp xúc với các vật dẫn điện như chìa khóa, đồng xu, dụng cụ cầm tay và các vật tương tự.**

1. Máy xới GC818

2. Nắp che

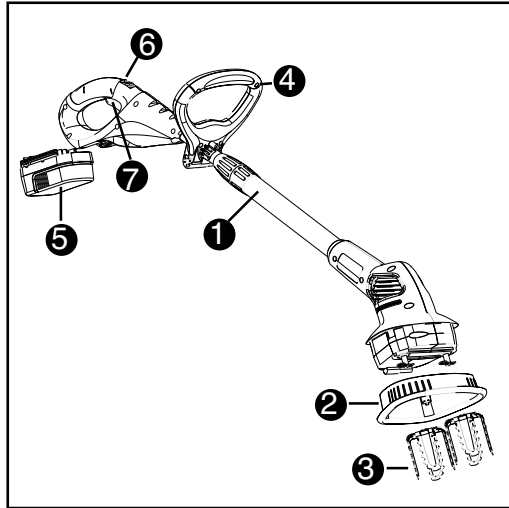
3. Bộ lưỡi xới (x 2)

4. Tay cầm phụ

5. Pin

6. Nút khóa

7. Công tắc khởi động



Bộ sạc (không được thể hiện)

## ⚠ CẢNH BÁO VÀ HƯỚNG DẪN AN TOÀN

### SẠC PIN

- Sách hướng dẫn này có những hướng dẫn vận hành và chỉ dẫn an toàn quan trọng.
- Trước khi sử dụng bộ sạc pin, hãy đọc tất cả các chỉ dẫn và những lưu ý ghi trên (1) bộ sạc pin, (2) pin, và (3) sản phẩm chạy bằng pin.
- ⚠ THẬN TRỌNG:** Để giảm nguy cơ bị chấn thương, chỉ sử dụng pin do Black & Decker cung cấp. Các loại pin khác có thể gây cháy nổ và chấn thương cá nhân.
- Không để bộ sạc dưới trời mưa hoặc tuyết.
- Việc sử dụng bộ sạc và pin không phải do Black & Decker bán hay giới thiệu có thể dẫn đến nguy cơ cháy nổ, điện giật, hoặc chấn thương cá nhân.
- Để giảm nguy cơ làm hỏng phích cắm và dây điện, khi ngắt kết nối bộ sạc nên cầm tay ở phần phích cắm, không nên kéo bằng dây điện.
- Phải đảm bảo dây điện nằm gọn gàng để tránh người khác dẫm lên dây, vướng vào dây hoặc làm hỏng hoặc làm căng dây.
- Không nên sử dụng dây điện nối dài trừ trường hợp thực sự cần thiết. Sử dụng dây điện nối dài không thích hợp có thể dẫn đến nguy cơ cháy nổ hoặc giật điện.
- Khi sạc dụng cụ, chỉ sử dụng lại sạc được cung cấp riêng cho máy. Việc sử dụng loại sạc khác có thể làm hỏng pin hoặc gây nguy hiểm.
- Khi sạc chỉ nên sử dụng một bộ sạc.

11. Không nên cố mở bộ sạc hoặc dụng cụ. Người dùng không được phép tự ý sửa các bộ phận bên trong. Hãy hoàn trả lại cho bất kỳ trung tâm dịch vụ được ủy quyền nào của Black & Decker.
12. KHÔNG đốt pin ngay cả khi chúng đã bị hỏng nặng hoặc bị ăn mòn hoàn toàn.
13. Không đốt pin. Chúng có thể nổ khi đốt. Một lượng nhỏ chất lỏng có thể rò rỉ từ pin khi sử dụng hoặc sạc quá lâu, hay điều kiện nhiệt độ quá cao. Điều này không có nghĩa là pin bị hỏng. Tuy nhiên, nếu lớp xi ở ngoài bị vỡ và chất lỏng rò rỉ này tiếp xúc với da:
  - a. Rửa ngay bằng xà phòng và nước.
  - b. Trung hòa bằng các loại axit nhẹ như nước chanh hoặc giấm.
  - c. Nếu chất lỏng trong pin bị bắn vào mắt, hãy rửa mắt bằng nước sạch trong vòng tối thiểu 10 phút và tìm trợ giúp y tế ngay lập tức. **LƯU Ý Y TẾ:** Chất lỏng trong pin là dung dịch Kali Hydroxit 25-35%.

## HƯỚNG DẪN AN TOÀN QUAN TRỌNG KHI SẠC

### QUY TRÌNH SẠC PIN

#### PIN CHƯA ĐƯỢC SẠC ĐẦY TẠI XƯỜNG. SẠC PIN ÍT NHẤT 9 TIẾNG TRƯỚC KHI SỬ DỤNG.

1. Cắm bộ sạc vào ổ cắm điện (hình A).
2. Trượt bộ sạc trên pin như mô tả trong hình B và sạc pin lần đầu trong vòng **9 tiếng**. Sau lần sạc đầu tiên, trong quá trình sử dụng bình thường, cần sạc đầy pin trong vòng **6 đến 9 tiếng**.
  - 2a) Trong quá trình sạc, đèn LED màu xanh sẽ xuất hiện.
  - 2b) Khi sạc đầy, đèn LED màu xanh sẽ tắt.
3. Rút phích cắm bộ sạc và tháo pin ra. **Lắp pin vào dụng cụ cho đến khi nghe thấy tiếng "cách"**. **LƯU Ý:** Để tháo pin, ấn nút nhả ở phía sau của pin và trượt ra (hình C).

#### LƯU Ý QUAN TRỌNG KHI SẠC

1. Sau quá trình sử dụng bình thường, pin cần được sạc đầy trong vòng **6 đến 9 tiếng**. Nếu pin hết sạch, có thể mất tới **9 tiếng** để sạc đầy. Pin được xuất xưởng trong tình trạng chưa sạc. Trước khi sử dụng, phải sạc pin ít nhất **9 tiếng**.
2. KHÔNG sạc pin trong điều kiện nhiệt độ môi trường dưới +40°F(+4,5°C), hoặc trên +105°F(+40,5°C). Điều này rất quan trọng và sẽ ngăn chặn tình trạng pin bị hư hỏng nghiêm trọng. Nếu sạc pin khi nhiệt độ môi trường khoảng 75°F (24°C), pin sẽ có tuổi thọ lâu nhất và hiệu quả tốt nhất.
3. Khi đang sạc, bộ sạc có thể phát ra tiếng kêu và nóng dần lên. Điều này là bình thường và không có vấn đề gì.
4. Nếu pin không sạc được —(1) Hãy kiểm tra dòng điện tại ổ cắm bằng cách cắm bóng đèn hoặc các thiết bị điện khác. (2) Kiểm tra xem ổ cắm nối với công tắc đèn có làm ngắt điện khi bạn tắt bóng đèn không. (3) Di chuyển bộ sạc và pin tới nơi có nhiệt độ môi trường xung quanh là 40°F (+4,5°C) đến 105°F (+40,5°C). (4) Nếu ổ cắm và nhiệt độ thích hợp mà vẫn không sạc được, hãy mang pin và bộ sạc tới trung tâm dịch vụ của Black & Decker tại địa phương. Xem phần Các dụng cụ điện ở các trang màu vàng.
5. Phải sạc lại pin nếu pin không thể tạo ra đủ điện để làm việc dễ dàng như trước đó. KHÔNG ĐƯỢC TIẾP TỤC sử dụng dụng cụ nếu pin đã dùng hết.
6. Pin sẽ mang lại hiệu quả tối ưu sau 5 lần sạc lại trong quá trình

sử dụng bình thường. Không cần dùng hết sạch pin trước khi sạc lại. Việc sử dụng bình thường là phương pháp xả và sạc lại pin thích hợp nhất.

## KHUYẾN CÁO BẢO QUẢN

- Bảo quản dụng cụ:
  - với pin đã tháo rời và để trong bộ sạc.
  - ở nơi mát mẻ và khô ráo, tránh ánh sáng mặt trời chiếu trực tiếp và quá nóng hoặc quá lạnh.
  - tránh xa tầm tay trẻ em.
- Để bảo quản lâu dài ví dụ như qua mùa đông, pin cần được sạc đầy, sau đó tháo ra khỏi bộ sạc. Phải sạc lại pin ngay trước khi sử dụng.

## ĐỂ PIN TRONG BỘ SẠC

Có thể để pin trong bộ sạc trong thời gian dài. Bộ sạc có chế độ bảo trì để pin được cung cấp đủ điện và luôn trong tình trạng "đầy". Tuy nhiên, nếu không cần sử dụng dụng cụ trong vòng hơn 30 ngày, hãy rút phích cắm bộ sạc và cất pin ở nơi thoáng mát, khô ráo. LƯU Ý: Pin sẽ mất điện khi được lấy ra khỏi bộ sạc. Nếu pin chưa được sạc bảo trì, cần sạc lại pin trước khi sử dụng. Pin cũng có thể mất điện nếu để trong bộ sạc không được cắm vào nguồn xoay chiều thích hợp.

## LẮP RÁP

### BỘ TAY CẦM PHỤ (HÌNH. D)

- Đặt tay cầm phụ vào phần trên của ống thân máy tới độ cao mong muốn.
- Đảm bảo khối chặn (8) khớp với rãnh trên ống thân máy.
- Lắp và xiết chặt bu lông (9).

### KÉO DÀI TRỤC MÁY (HÌNH. E)

- Nới lỏng vòng điều chỉnh (10).
- Kéo dài trục máy tới độ dài mong muốn.
- Vặn chặt vòng điều chỉnh.

### BỘ NẮP CHE (HÌNH. F)

- Lắp vành hờ của nắp che (11) từ dưới lên vào phần thân bên dưới (gần trục ra).
- Khớp các vấu vào thân. Ấn đều nắp che vào cho đến khi nghe thấy tiếng tách.
- Đảm bảo tất cả các chi tiết đã được khớp chính xác.

**CẢNH BÁO: TUYỆT ĐỐI KHÔNG ĐƯỢC VẬN HÀNH DỤNG CỤ NẾU NẮP CHE CHƯA ĐƯỢC LẮP CHẮC CHẴN.**

### BỘ LƯỚI XÓI (HÌNH. G)

**⚠ CẢNH BÁO: Nhà công tắc khởi động, để các lưới xói dừng hoàn toàn và tháo pin.**

- Lắp lưới xói (12) vào trục (13), đảm bảo mặt phẳng trong lỗ lưới xói khớp với mặt phẳng trên trục. Đảm bảo đẩy hết lưới xói vào trục.
- Gài đầu thắng của chốt (14) vào lỗ trục. Đẩy chốt vào hết cho tới khi đầu cong xuống mức thấp nhất so với trục.
- Lắp lại với các lưới xói khác. Để tháo lưới xói, làm theo quy trình ngược lại.

**VẬN HÀNH (HÌNH. H,I)**

**⚠ CẢNH BÁO:** Đảm bảo rằng những người khác và vật nuôi cách xa ít nhất 20 feet.

1. Cầm dụng cụ như trong hình H.
2. Nhấc dụng cụ ra khỏi đất.
3. Trượt nút khóa (15) (Hình I).
4. Kéo công tắc khởi động (16). (Hình I)

Trong lần xới đầu tiên của mỗi lần sử dụng, tốt nhất nên di chuyển chậm vì đất bị nén chặt. Sau đó xới sẽ nhanh hơn. Không được cố xới khi đất ẩm nhằm đảm bảo an toàn điện và tránh kẹt các lưỡi xới. Nếu phải xới trong trường hợp có thể làm kẹt các lưỡi xới, hãy nhả công tắc khởi động và đợi các lưỡi xới dừng hẳn! **HÃY THÁO PIN!** Gỡ vật bị kẹt ra bằng que hoặc tuốc nơ vít. Tiếp tục vận hành dụng cụ trong trường hợp bị kẹt sẽ gây quá tải động cơ nghiêm trọng.

**LƯU Ý:** Dụng cụ này được trang bị cơ cấu ly hợp bên trong dùng để tránh hư hỏng lâu dài đối với dụng cụ do các lưỡi xới bị kẹt hoặc trường hợp làm việc quá tải. Nếu ly hợp đã ăn khớp, dụng cụ sẽ phát ra một tiếng lách cách lớn. Âm thanh này sẽ vẫn tiếp tục phát ra cho tới khi không còn hiện tượng bị kẹt hoặc quá tải. Hãy tháo pin trước khi gỡ các vật bị kẹt ra khỏi lưỡi xới. Cơ cấu ly hợp không thể điều chỉnh được bởi người sử dụng.

**⚠ THẬN TRỌNG:** Không được cố gỡ vật bị kẹt ra khỏi lưỡi xới bằng cách thả hoặc đập dụng cụ xuống đất. Điều này có thể gây hỏng dụng cụ.

**BẢO QUẢN**

Tháo và làm sạch các mảnh vỡ bên ngoài máy xới và bên trong nắp che trước khi cất giữ. Xem phần BẢO TRÌ.

**⚠ THẬN TRỌNG: KHÔNG ĐƯỢC GIỮ CÔNG TẮC KHỞI ĐỘNG**

Lưu ý: Không cất dụng cụ trên hoặc gần với phân bón hoặc hóa chất. Cất giữ như vậy có thể khiến dụng cụ bị ăn mòn nhanh chóng.

**CHỐNG ĂN MÒN**

**⚠ CẢNH BÁO:** Đeo găng tay và kính bảo hộ thích hợp khi vệ sinh dụng cụ.

Phân bón và các hóa chất làm vườn khác chứa các chất đẩy nhanh đáng kể quá trình ăn mòn của kim loại. Nếu sử dụng dụng cụ ở những khu vực có sử dụng phân bón hoặc hóa chất, dụng cụ phải được vệ sinh ngay sau đó.

Bọc các bộ phận hờ bằng khăn ẩm. Có thể chỉ cần bôi trơn các bộ phận bằng kim loại bằng dầu hỏa nhẹ.

**KHẮC PHỤC SỰ CỐ**

Sự cố

- Dụng cụ sẽ không khởi động.
- Pin sẽ không sạc.

Nguyên nhân

- Pin không được lắp đúng.
- Pin chưa sạc.
- Nút khóa khởi động.
- Pin chưa được lắp vào bộ sạc.
- Chưa cắm bộ sạc.

Giải pháp

- Kiểm tra việc lắp pin.
  - Kiểm tra các yêu cầu sạc pin.
  - Điều chỉnh nút khóa từ vị trí khóa.
  - Lắp pin vào bộ sạc cho tới khi đèn LED màu xanh xuất hiện.
  - Cắm bộ sạc vào ổ cắm có điện.
- Tham khảo phần "Lưu ý quan trọng khi sạc" để biết thêm thông tin chi tiết.

- Nhiệt độ môi trường xung quanh quá nóng hoặc quá lạnh.
- Di chuyển bộ sạc và dụng cụ tới nơi có nhiệt độ môi trường xung quanh trên 40°F (4,5°C) hoặc dưới 105°F (+40,5°C).

Khi vệ sinh, **KHÔNG** nhúng dụng cụ vào nước hoặc dùng vòi xịt.

### BẢO TRÌ

Dụng cụ điện cầm tay của Black & Decker được thiết kế để vận hành trong thời gian dài và ít phải bảo trì nhất. Dụng cụ vận hành liên tục theo ý muốn tùy thuộc vào việc bảo quản dụng cụ đúng cách và vệ sinh thường xuyên. Bộ sạc không cần bảo trì nhưng phải thường xuyên lau chùi.

**Cảnh báo!** Trước khi tiến hành bảo trì trên dụng cụ, hãy tháo pin ra khỏi dụng cụ. Rút phích cắm bộ sạc trước khi vệ sinh.

- Thường xuyên lau chùi các khe thông gió trong dụng cụ và bộ sạc bằng chổi mềm hoặc khăn khô.
- Thường xuyên lau chùi vỏ động cơ bằng khăn ẩm. Không dùng chất tẩy rửa có chứa dung môi hay chất mài mòn.
- Thường xuyên mở đầu kẹp và vỏ nhẹ để trút bụi ở bên trong ra.

### Bảo vệ môi trường



Thu gom riêng. Không được vứt bỏ sản phẩm này với rác thải gia đình thông thường.

■ Nếu sản phẩm Black & Decker của bạn cần phải thay thế hoặc bạn không sử dụng nó trong tương lai nữa, đừng vứt bỏ cùng với rác thải gia đình. Sản phẩm này phải được thu gom riêng.



Thu gom riêng sản phẩm và bao bì đóng gói đã qua sử dụng sẽ cho phép tái chế và tái sử dụng vật liệu. Tái sử dụng vật liệu tái chế giúp ngăn chặn ô nhiễm môi trường và giảm nhu cầu vật liệu thô.

Luật lệ địa phương có thể quy định việc thu gom riêng các sản phẩm điện gia dụng tại các bãi rác thải đô thị hoặc bởi những người bán lẻ khi bạn mua sản phẩm mới.

Black & Decker cung cấp nơi thu gom và tái chế các sản phẩm của Black & Decker khi các sản phẩm này đã hết hạn sử dụng. Để sử dụng dịch vụ này, vui lòng trả lại sản phẩm cho đại lý sửa chữa được ủy quyền, nơi thay mặt công ty chúng tôi thu gom các sản phẩm này.

Bạn có thể kiểm tra vị trí của đại lý sửa chữa được ủy quyền gần nhất bằng cách liên hệ với văn phòng Black & Decker tại nơi bạn sống theo địa chỉ cung cấp trong sổ tay hướng dẫn này. Ngoài ra, chúng tôi còn cung cấp danh sách các đại lý sửa chữa được ủy quyền của Black & Decker và mọi thông tin chi tiết về dịch vụ hậu mãi và các thông tin liên hệ tại website: [www.2helpU.com](http://www.2helpU.com)

### Pin



Xả hết pin, sau đó tháo pin ra khỏi dụng cụ.

- Các loại pin NiCd, NiMH và Li-Ion có thể tái chế được. Hãy mang chúng đến bất kỳ đại lý sửa chữa ủy quyền hoặc trạm tái chế nào gần nhất.

**Thông tin dịch vụ**

Black & Decker có sẵn một mạng lưới các trung tâm trực thuộc và ủy quyền trên toàn Châu Á. Tất cả các trung tâm dịch vụ của Black & Decker đều có đội ngũ nhân viên lành nghề nhằm cung cấp cho khách hàng dịch vụ về sản phẩm hiệu quả và tin cậy.

Khi cần tư vấn kỹ thuật, sửa chữa hoặc cần phụ tùng thay thế chính hãng, hãy liên hệ với cơ sở Black & Decker nơi gần nhất.

**CHÚ Ý**

- Chính sách của Black & Decker không ngừng cải thiện với các sản phẩm và do đó, chúng tôi có quyền thay đổi thông số kỹ thuật sản phẩm mà không cần báo trước.
- Các thiết bị và phụ kiện chuẩn có thể khác nhau tùy theo từng quốc gia.
- Thông số kỹ thuật của sản phẩm có thể khác nhau giữa các quốc gia.
- Danh mục sản phẩm hoàn chỉnh có thể không được cung cấp tại tất cả các quốc gia. Liên hệ với các đại lý của Black & Decker tại quốc gia bạn để được cung cấp danh mục sản phẩm.