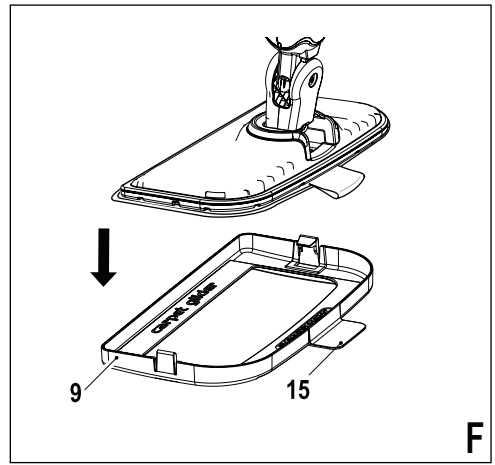
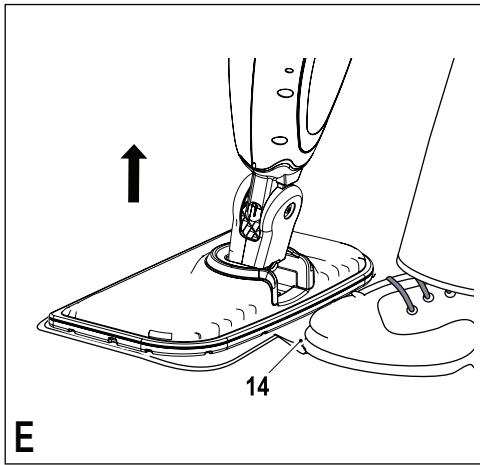
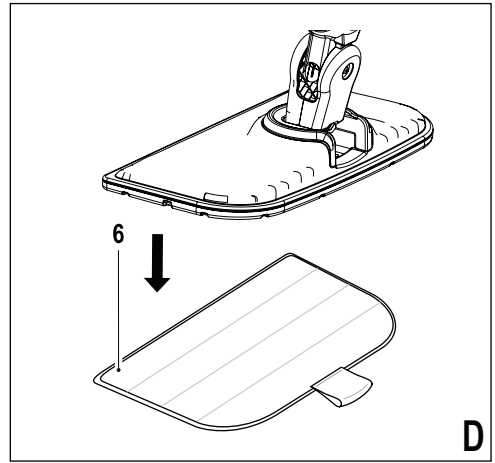
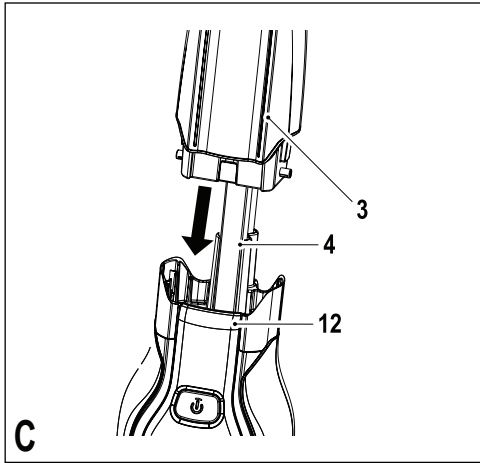
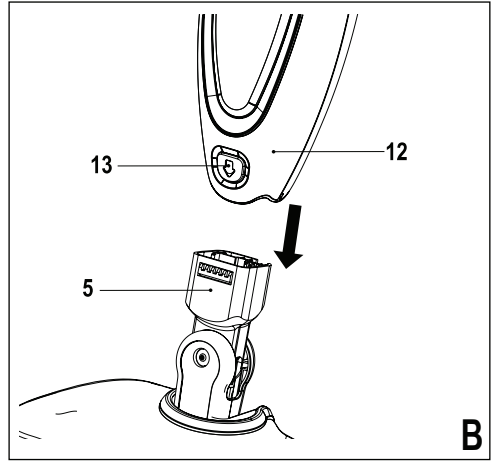
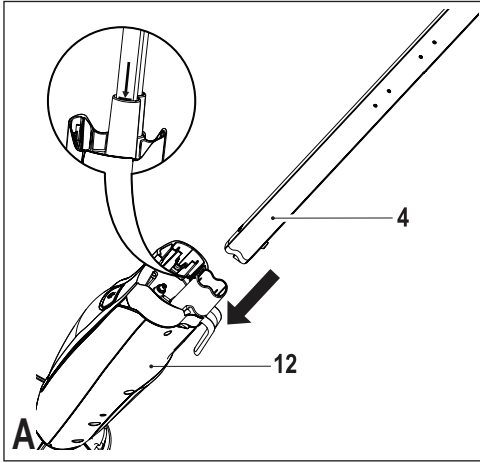
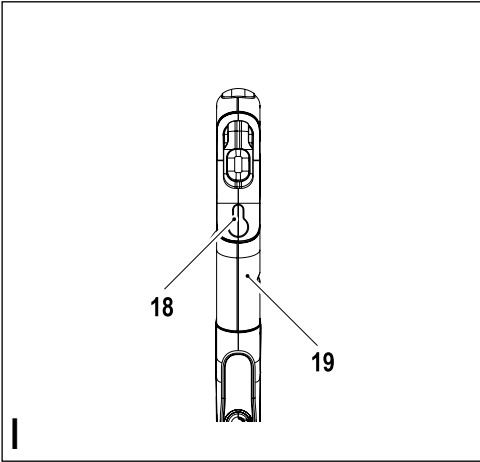
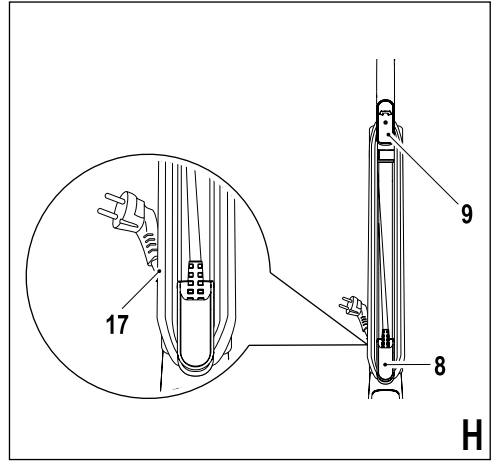
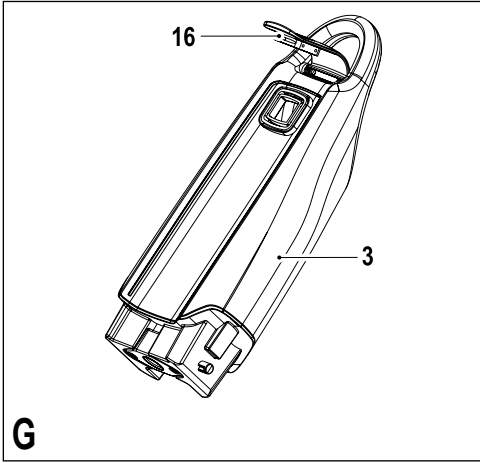


[www.blackanddecker.com](http://www.blackanddecker.com)

**FSM1610**  
**FSM1620**

English	4
Bahasa Indonesia	9
ภาษาไทย	14
TIẾNG VIỆT	19





## FSM1610/1620 STEAM MOP

### Technical data

Steam Mop		FSM1610/1620
Voltage	$V_{ac}$	220-240
Power	$W$	1600
Tank capacity	ml	460
Weight	kg	2.7

### Intended use

Your Black & Decker steam mop has been designed for sanitising and cleaning sealed hardwood, sealed laminate, linoleum, vinyl, ceramic tile, stone and marble floors and for refreshing carpets. This appliance is intended for indoor household use only.

### Safety instructions



**Warning! Read all safety warnings and all instructions.** Failure to follow the warnings and instructions listed below may result in electric shock, fire and/or serious injury.



**Warning!** When using mains-powered appliances, basic safety precautions, including the following, should always be followed to reduce the risk of fire, electric shock, personal injury and material damage.

- ◆ Read all of this manual carefully before using the appliance.
- ◆ The intended use is described in this manual. The use of any accessory or attachment or the performance of any operation with this appliance other than those recommended in this instruction manual may present a risk of personal injury.
- ◆ Retain this manual for future reference.

### Using your appliance

- ◆ Do not direct steam at people, animals, electrical appliances or electrical outlets.
- ◆ Do not expose to rain.
- ◆ Do not immerse the appliance in water.
- ◆ Do not leave the appliance unattended.
- ◆ Do not leave the appliance connected to an electrical outlet when not in use.
- ◆ Never pull the power lead to disconnect the appliance from the socket. Keep the appliance lead away from heat,

oil and sharp edges.

- ◆ Do not handle steam cleaner with wet hands.
- ◆ Do not pull or carry by cord, use cord as a handle, close door on cord, pull cord around sharp corners or expose cord to heated surfaces.
- ◆ Do not use appliance in an enclosed space filled with vapour given off by oil-base paint thinner, some moth-proofing substances, flammable dust, or other explosive or toxic vapours.
- ◆ Check the type of floor with the manufacturer.
- ◆ Do not use on leather, wax polished furniture or floors, synthetic fabrics, velvet or other delicate, steam-sensitive materials.



**Warning!** Do not use on unsealed wood or unsealed laminate floors. On surfaces that have been treated with wax or some no wax floors, the sheen may be removed by the heat and steam action. It is always recommended to test an isolated area of the surface to be cleaned before proceeding. We also recommend that you check the use and care instructions from the floor manufacturer.

- ◆ Never put descaling, aromatic, alcoholic or detergent products into the steam cleaner, as this may damage it or make it unsafe for use.
- ◆ If the home circuit breaker activates while using the steam function, discontinue product use immediately and contact the customer support centre. (Beware of the risk of electrical shock.)
- ◆ The appliance emits very hot steam to sanitize the area of use. This means that the steam head, cleaning pads and carpet attachment get very hot during use.
- ◆ **Caution!** Always wear suitable shoes when using your steam mop and when changing the accessories on your steam mop. Do not wear slippers or open toed footwear.
- ◆ The lid may become hot during use.
- ◆ Steam may escape from the appliance during use.
- ◆ Care should be taken when using this appliance. DO NOT touch any parts which may become hot during use.
- ◆ Switch the appliance off and return the handle to the upright position before removing the water tank.
- ◆ For floor use only; do not use the unit upside down. This appliance is intended for indoor household use only.

### After use

- ◆ Unplug the appliance and allow to cool before cleaning.
- ◆ When not in use, the appliance should be stored in a dry place.
- ◆ Children should not have access to stored appliances.

## Inspection and repairs

- ◆ Unplug the appliance and allow to cool before performing any maintenance or repairs.
- ◆ Before use, check the appliance for damaged or defective parts. Check for breakage of parts, damage to switches and any other conditions that may affect its operation.
- ◆ Regularly check the power lead for damage.
- ◆ Do not use the appliance if any part is damaged or defective.
- ◆ Have any damaged or defective parts repaired or replaced by an authorized repair agent.
- ◆ Never attempt to remove or replace any parts other than those specified in this manual.

## Safety of others

- ◆ This appliance is not intended for use by persons (including children) with reduced physical, sensory or mental capabilities, or lack of experience and knowledge, unless they have been given supervision or instruction concerning the use of the appliance by a person responsible for their safety.
- ◆ Children should be supervised to ensure that they do not play with the appliance.

## Residual risks.

Additional residual risks may arise when using the tool which may not be included in the enclosed safety warnings. These risks can arise from misuse, prolonged use etc.

Even with the application of the relevant safety regulations and the implementation of safety devices, certain residual risks can not be avoided. These include:

- ◆ Injuries caused by touching any moving parts.
- ◆ Injuries caused by touching any hot parts.
- ◆ Injuries caused when changing any parts or accessories.
- ◆ Injuries caused by prolonged use of the appliance. When using any appliance for prolonged periods ensure you take regular breaks.

## Electrical safety



**Warning! This product must be earthed. Always check that the power supply corresponds to the voltage on the rating plate.**

Power plugs must match the outlet. Never modify the plug in any way. Unmodified plugs and matching outlets will reduce risk of electric shock.

- ◆ **If the supply cord is damaged, it must be replaced by the manufacturer or an authorised Black & Decker Service Centre in order to avoid a hazard.**

## Extension cables & Class 1 product

- ◆ **A 3-core cable must be used as your appliance is earthed and of Class 1 construction.**
- ◆ **Up to 30m (100 ft) can be used without loss of power.**

## Labels on the appliance

The following pictograms are shown on the tool:



**Warning!** To reduce the risk of injury, the user must read the instruction manual.



**Warning!** Danger of scalding.

## Features

This appliance includes some or all of the following features.

1. ON/Off switch
2. Autoselect™ dial
3. Removable water tank
4. Handle
5. Steam head
6. Steam head cleaning pad
7. Resting mat
8. Bottom cable tidy hook
9. Top cable tidy hook
10. Cable management clip
11. Carpet Glider (FSM1620 only)

## Assembly

**Warning!** Before attempting any of the following operations, make sure that the appliance is switched off and unplugged and that the appliance is cold and does not contain any water.

### Attaching the handle (Fig. A)

- ◆ Slide the bottom end of the handle (4) into the top end of the steam mop body (12) until it clicks into place. The arrow on the handle (4) should be aligned with the top of the steam mop body(12).

### Attaching the steam head (Fig. B)

- ◆ Slide the bottom end of the steam mop body (12) onto the steam head (5) until it clicks into place.
- ◆ The steam head can be removed from the Steam mop body by pressing the steam head release button (13) and pulling the steam mop body (12) off the steam head (5).

### Attaching the water jug (Fig. C)

- ◆ Clip the water jug (3) onto the handle (4).
- ◆ Slide the water jug (3) down into the Steam mop body (12), ensure that the water jug is firmly seated.

### Attaching a cleaning pad (Fig. D)

Replacement cleaning pads are available from your Black & Decker dealer:- (cat. no. FSMP20-XJ).

- ◆ Place a cleaning pad (6) on the floor with the 'hook & loop' side facing up.
- ◆ Lightly press the steam mop down onto the cleaning pad (6).

**Caution!** Always place your steam mop on the resting mat (7) with the handle (4) in the upright position when stationary and make sure the steam mop is turned off when not in use.

### Removing a cleaning pad (Fig. E)

**Caution!** Always wear suitable shoes when changing the cleaning pad on your steam mop. Do not wear slippers or open toed footwear.

- ◆ Return the handle (4) to the upright position and turn the steam mop 'OFF'.
- ◆ Place the steam mop on the resting mat and wait until it cools down. (approximately five minutes)
- ◆ Place the front of your shoe onto the cleaning pad removal tab (14) and press down firmly.
- ◆ Lift the steam mop up off the cleaning pad.

**Caution!** Always place the steam mop on the resting mat (7) with the handle (4) in the upright position when stationary and make sure the steam mop is turned off when not in use.

### Attaching the carpet glider (Fig. F) (FSM1620 only)

- ◆ Place carpet glider on the floor.
- ◆ Lightly press the steam mop down onto the carpet glider (11) until it clicks into place.

**Caution!** Always place the steam mop on the resting mat (8) with the handle (4) in the upright position when stationary and make sure the steam mop is turned off when not in use.

### Removing the carpet glider (Fig. F) (FSM1620 only)

**Caution!** Always wear suitable shoes when changing the carpet glider on your steam mop. Do not wear slippers or open toed footwear.

- ◆ Return the handle (4) to the upright position and turn the steam mop 'OFF'.
- ◆ Place the steam mop on the resting mat and wait until it cools down. (approximately five minutes)
- ◆ Place the front of your shoe onto the carpet glider removal tab (15) and press down firmly.
- ◆ Lift the steam mop up off the carpet glider (9).

**Caution!** Always place the steam mop on the resting mat (8) with the handle (4) in the upright position when stationary and make sure the steam mop is turned off when not in use.

### Filling the water tank (Fig. G)

The watertank on your steam mop is removable for convenient and easy filling.

This Steam Mop incorporates an anti-calc system to help prolong the life of the system.

**Note:** Fill the water tank with clean tap water.

**Note:** In areas of very hard water, the use of de-ionised water is recommended.

- ◆ Remove the water tank (3).
- ◆ Open the filler cap (16) by lifting it up.
- ◆ Fill the water tank (3) with water.

**Warning!** Your water tank has a 0.46 litre capacity. Do not over fill the tank.

- ◆ Re-fit the filler cap (16).
- ◆ Re-fit the water tank (3).

**Note:** Ensure the filler cap is firmly secured.

### Use

**Important!** This unit will kill 99.9% of bacteria & germs when used in accordance with this manual and with the micro fibre pad fitted and a continuous run time of 90 seconds.

### Switching on and off

- ◆ To switch the appliance on, press the ON/OFF button (1). It takes approximately 15 seconds for the steam mop to heat up.

**Note:** When the steam mop is first turned on the water reservoir will glow red. Once the steam mop is ready to use the water reservoir will glow blue.

- ◆ To switch the appliance off, press the ON/OFF button (1).

**Caution!** Never leave the steam mop in one spot on any surface for any period of time. Always place the steam mop on the resting mat (7) with the handle (4) in the upright position when stationary and make sure the steam mop is turned off when not in use.

**Caution!** Always empty the steam mop after use.

**Note:** When first filled or after running dry it can take up to 45 seconds for steam to be produced.

### Autoselect™ Technology

This steam mop is fitted with an Autoselect™ dial (2) which shows various cleaning applications. They are used to select the correct operating mode for your particular cleaning operation.

Using the Autoselect™ dial (2), choose from one of the following applications:

	Wood/Laminate
	Stone/Marble
	Tiles/Vinyl

The steam mop will select the correct volume of steam required for your particular cleaning operation.

**Note:** Always check you are using the correct setting before using your steam mop.

## Hints for optimum use

### General

**Caution!** Never use the steam mop without first attaching a cleaning pad.

- ◆ During use you can use the cable management clip (10) to keep your cable out of the way of the work area..
- ◆ Always vacuum or sweep the floor before using the steam mop.
- ◆ The easiest way to use the machine is to tilt the handle to a 45° angle and clean slowly, covering a small area at a time.
- ◆ Do not use chemical cleaners with your steam mop. To remove stubborn stains from vinyl or linoleum floors, you can pre-treat with a mild detergent and some water before using the steam mop.

### Steam cleaning

- ◆ Place a cleaning pad (6) on the floor with the 'hook & loop' side facing up.
- ◆ Raise the steam mop off the resting mat (7) and lightly press it down onto the cleaning pad (6).
- ◆ Place the steam mop on the resting mat.
- ◆ Connect the steam mop to the mains.
- ◆ Turn the Autoselect™ dial (2) to the required setting.
- ◆ Press the ON/OFF button (1). It takes approximately 15 seconds for the steam mop to heat up.
- ◆ Pulling the handle (4) back will activate the steam pump. After a few seconds steam will start to come out of the steam head.

**Note:** When first filled or after running dry it can take up to 45 seconds for steam to be produced.

- ◆ It takes a few seconds for steam to enter the cleaning pad. The steam mop will now glide easily over the surface to be sanitised/cleaned.
- ◆ Push and pull the steam mop slowly across the floor to thoroughly steam clean each section.

**Note:** During use you may turn off the steam pump by returning the handle to the upright position, this convenient feature will allow you to place the steam mop on the resting mat for a short time so that you may move items of furniture, then continue cleaning without the need to switch the appliance off.

- ◆ When you have finished using the steam mop, return the handle (4) to the upright position and turn it 'OFF', place it on the resting mat (7) and wait until the steam mop cools down. (approximately five minutes)

**Caution!** It is important to monitor the water level in the water tank. To refill the water tank and continue to sanitise/clean, return the handle (4) to the upright position and turn the steam

mop 'OFF'. Unplug the unit from the electrical wall outlet, remove and refill the water tank (3).

**Caution!** Never leave the steam mop in one spot on any surface for any period of time. Always place the steam mop on the resting mat (7) with the handle (4) in the upright position when stationary and make sure the steam mop is turned off when not in use.

### After use (Fig. H & I)

- ◆ Return the handle (4) to the upright position and turn the steam mop 'OFF',
- ◆ Place the steam mop on the resting mat (7) and wait until the steam mop cools down. (approximately five minutes)
- ◆ Unplug the steam mop from the electrical wall outlet.
- ◆ Empty the water tank (3).
- ◆ Remove the cleaning pad (6) and wash it ready for next use. (Take care to follow the wash care instructions printed on the cleaning pad).
- ◆ Wrap the supply cable around the cable tidy hooks (8 & 9).

**Note:** The top cable tidy hook (9) rotates to easily release the cable ready for next use.

- ◆ Clip the supply cable onto itself using the cable tidy clip (17) close to the plug.
- ◆ Place steam mop on the resting mat (7) for storage.

**Note:** With the handle (4) in the upright position, the cable neatly wrapped around the cable tidy hooks (8 & 9) and secured with the cable tidy clip (17) your steam mop will stand on its own for storage. Alternatively there is a hanging bracket (18) built into the hand grip (19) which will allow your steam mop to be hung from a suitable hook on the wall. Always ensure that your wall hook is capable of supporting the weight of the steam mop safely.

## Maintenance and cleaning

Your Black & Decker corded appliance has been designed to operate over a long period of time with a minimum of maintenance. Continuous satisfactory operation depends upon proper appliance care and regular cleaning.

**Warning!** Before performing any maintenance or cleaning on corded appliances switch off and unplug the appliance.

- ◆ Wipe your appliance over using a soft damp cloth.
- ◆ For stubborn marks you can use a mild solution of soap and water to dampen your cloth.

### Care of the cleaning pads

Wash care instructions - No fabric conditioner - Allow to dry fully before re-use.

**Caution!** Follow the cleaning instructions printed on the label of the cleaning pad.

## Protecting the environment



Separate collection. This product must not be disposed of with normal household waste.

Should you find one day that your Black & Decker product needs replacement, or if it is of no further use to you, do not dispose of it with household waste. Make this product available for separate collection.



Separate collection of used products and packaging allows materials to be recycled and used again. Re-use of recycled materials helps prevent environmental pollution and reduces the demand for raw materials.

Local regulations may provide for separate collection of electrical products from the household, at municipal waste sites or by the retailer when you purchase a new product.

## Service Information

Black & Decker offers a full network of company-owned and authorized service locations throughout Asia. All Black & Decker Service Centers are staffed with trained personnel to provide customers with efficient and reliable power tool service. Whether you need technical advice, repair, or genuine factory replacement parts, contact the Black & Decker location nearest to you.

## Notes

- ◆ Black & Decker's policy is one of continuous improvement to our products and, as such, we reserve the right to change product specifications without prior notice.
- ◆ Standard equipment and accessories may vary by country.
- ◆ Product specifications may differ by country.
- ◆ Complete product range may not be available in all countries.
- ◆ Contact your local Black & Decker dealers for range availability.



## FSM1610/1620 PEL UAP

### Data teknis

Pel Uap	FSM1610/1620	
Voltase	$V_{ac}$	220-240
Daya	W	1600
Kapasitas tangki	ml	460
Berat	kg	2.7

### Tujuan penggunaan

Pel uap Black & Decker Anda telah dirancang untuk membersihkan kayu keras tertutup, pelapis tertutup, linolium, vinil, ubin keramik, lantai batu dan marmer, dan untuk menyegarkan karpet. Peralatan ini hanya ditujukan untuk penggunaan di dalam rumah.

### Petunjuk keselamatan



**Peringatan! Baca seluruh peringatan keselamatan dan seluruh petunjuk.** Kegagalan mengikuti peringatan dan petunjuk yang tercantum di bawah ini dapat mengakibatkan sengatan listrik, kebakaran, dan/atau cedera berat.



**Peringatan!** Bila menggunakan peralatan listrik, tindakan pencegahan dasar untuk keselamatan, termasuk yang berikut, harus selalu diikuti untuk mengurangi risiko kebakaran, sengatan listrik, cedera tubuh, dan kerusakan bahan.

- ◆ Bacalah seluruh isi panduan ini dengan saksama sebelum mengoperasikan peralatan.
- ◆ Tujuan penggunaan alat ini dijelaskan dalam buku petunjuk ini. Penggunaan aksesoris atau peralatan tambahan atau pengoperasian peralatan selain yang disarankan dalam panduan yang disarankan dalam panduan pengguna ini dapat menimbulkan risiko cedera diri.
- ◆ Simpan buku petunjuk ini sebagai referensi di masa mendatang.

### Menggunakan peralatan Anda

- ◆ Jangan menguapkan langsung pada orang, hewan, peralatan listrik, atau stopkontak.
- ◆ Jangan paparkan pada hujan.
- ◆ Jangan benamkan peralatan di air.
- ◆ Jangan biarkan peralatan tanpa pengawasan.

- ◆ Jangan biarkan peralatan tersambung ke stopkontak jika tidak digunakan.
- ◆ Jangan tarik kabel daya untuk melepaskan peralatan dari soket. Jauhkan kabel peralatan dari panas, minyak, dan ujung yang tajam.
- ◆ Jangan pegang pembersih uap dengan tangan basah.
- ◆ Jangan tarik atau bawa dengan kabel, jangan gunakan kabel sebagai gagang, jangan tutup pintu pada kabel, jangan tarik kabel di sekitar sudut yang tajam atau jangan paparkan kabel pada permukaan yang dipanaskan.
- ◆ Jangan gunakan peralatan di ruang tertutup yang terisi dengan uap yang dikeluarkan oleh bahan pengencer cat yang berbahan dasar minyak, beberapa zat antingengat, debu yang mudah terbakar, atau uap lainnya yang dapat meledak atau beracun.
- ◆ Tanyakan tipe lantainya kepada produsen.
- ◆ Jangan gunakan pada perabotan dari kulit atau lantai yang dilapaskan dengan lilin cari, bahan sintetis, beludru, atau bahan lain yang halus dan sensitif terhadap uap.



**Peringatan!** Jangan gunakan pada kayu yang tidak tertutup atau lantai pelapis yang tidak tertutup. Pada permukaan yang telah diberi lilin cair atau beberapa lantai tanpa lilin cair, bagian kilap dapat hilang melalui panas dan tindakan penguapan. Selalu direkomendasikan untuk menguji area terisolasi dari permukaan yang akan dibersihkan sebelum melanjutkan. Kami juga merekomendasikan bahwa Anda memeriksa petunjuk penggunaan dan perawatan dari produsen lantai.

- ◆ Jangan memasukkan produk-produk pengawakerakan, aromatik, alkohol, atau deterjen ke pembersih uap, karena dapat merusak pembersih atau membuatnya tidak aman untuk digunakan.
- ◆ Jika pemutus sirkuit rumah aktif saat menggunakan fungsi uap, segera hentikan penggunaan produk dan hubungi pusat dukungan pelanggan. (Hati-hati terhadap risiko sengatan listrik.)
- ◆ Peralatan ini memancarkan uap yang sangat panas untuk membersihkan area penggunaan. Ini berarti bahwa kepala uap, bantalan pembersih, dan tambahan karpet menjadi sangat panas selama penggunaan.
- ◆ Perhatian! Selalu kenakan sepatu yang nyaman saat menggunakan pel uap Anda dan saat mengganti aksesoris pada pel uap Anda. Jangan mengenakan sandal jepit atau sepatu dengan ujung terbuka.
- ◆ Tutup dapat menjadi panas selama penggunaan.
- ◆ Uap dapat keluar dari peralatan selama digunakan.

- ♦ Hati-hati saat menggunakan peralatan ini. JANGAN sentuh komponen apa pun yang dapat menjadi panas selama digunakan.
- ♦ Matikan peralatan dan kembalikan gagang ke posisi ke atas sebelum melepaskan tangki air.
- ♦ Hanya untuk penggunaan di lantai; jangan gunakan unit secara terbalik. Peralatan ini hanya ditujukan untuk penggunaan di dalam rumah.

### Setelah digunakan

- ♦ Cabut peralatan dan dinginkan sebelum dibersihkan.
- ♦ Bila tidak digunakan, peralatan ini harus disimpan di tempat yang kering.
- ♦ Jangan biarkan anak-anak mengakses peralatan yang disimpan.

### Pemeriksaan dan perbaikan

- ♦ Cabut peralatan dan dinginkan sebelum melakukan perawatan atau perbaikan apa pun.
- ♦ Sebelum digunakan, periksa apakah ada komponen peralatan yang rusak atau cacat. Periksa apakah ada bagian yang patah, kerusakan tombol, dan kondisi lain yang dapat mempengaruhi pengoperasiannya.
- ♦ Periksa secara rutin kabel daya untuk mengetahui adanya kerusakan.
- ♦ Jangan gunakan peralatan ini jika ada komponen yang rusak atau cacat.
- ♦ Minta agen perbaikan resmi untuk memperbaiki atau mengganti bagian yang rusak maupun cacat.
- ♦ Jangan coba melepas atau mengganti bagian apa pun selain yang ditentukan dalam panduan ini.

### Keselamatan orang lain

- ♦ Peralatan ini tidak ditujukan untuk penggunaan oleh orang (termasuk anak-anak) yang menderita kekurangan kemampuan fisik, sensorik, atau mental, atau kurang pengalaman dan pengetahuan, kecuali apabila mereka diawasi atau diarahkan dalam penggunaan peralatan ini oleh orang yang bertanggung jawab atas keselamatan mereka.
- ♦ Anak-anak harus diawasi agar mereka tidak bermain-main dengan alat ini.

### Risiko-risiko lain

Risiko-risiko lain dapat timbul saat menggunakan alat, yang mungkin tidak tercantum dalam peringatan keselamatan yang disertakan. Risiko-risiko ini dapat diakibatkan oleh penyalahgunaan, penggunaan yang terlalu lama, dsb. Sekalipun peraturan keselamatan terkait sudah diterapkan dan peralatan pengaman sudah digunakan, risiko residual tertentu tidak dapat dihindari. Ini meliputi:

- ♦ Cedera yang diakibatkan karena menyentuh komponen yang bergerak.
- ♦ Cedera yang diakibatkan karena menyentuh komponen yang panas.
- ♦ Cedera yang terjadi saat mengganti komponen atau aksesoris.
- ♦ Cedera yang diakibatkan karena penggunaan peralatan untuk waktu lama. Jika menggunakan peralatan apa pun selama jangka waktu yang lama, pastikan Anda mengistirahatkannya secara berkala.

### Keselamatan kelistrikan



**Peringatan! Produk ini harus dibumikan. Selalu periksa apakah catu daya sesuai dengan nilai tegangan yang tercantum pada papan nilai.**

Steker listrik harus sesuai dengan soketnya. Jangan pernah memodifikasi steker dengan cara apa pun. Steker yang tidak dimodifikasi dan stopkontak yang sesuai akan mengurangi risiko sengatan listrik.

- ♦ Jika rusak, kabel daya harus diganti oleh produsen atau Pusat Layanan Black & Decker resmi guna menghindari terjadinya bahaya.

### Kabel ekstensi & Produk kelas 1

- ♦ Kabel 3-inti harus digunakan karena peralatan Anda dibumikan dan merupakan konstruksi Kelas 1.
- ♦ Hingga 30 m (100 kaki) dapat digunakan tanpa kehilangan daya.

### Label pada peralatan

Gambar-gambar berikut ini tertera pada alat:



**Peringatan! Untuk mengurangi risiko cedera, pengguna harus membaca buku petunjuk.**



**Peringatan! Bahaya panas**

### Fitur-Fitur

Peralatan ini memiliki beberapa atau semua fitur berikut ini.

1. Sakelar NYALA/MATI
2. Tombol Autoselect™
3. Tangki air yang dapat dilepas
4. Gagang

5. Kepala uap
6. Bantalan pembersih kepala uap
7. Alas
8. Kait perapi kabel bagian bawah
9. Kait perapi kabel bagian atas
10. Klip pengatur kabel
11. Glider Karpet (Hanya FSM1620)

## Perakitan

**Peringatan!** Sebelum mencoba melakukan salah satu pengoperasian berikut, pastikan bahwa peralatan dimatikan dan dicabut, pastikan peralatan telah dingin dan tidak mengandung air.

### Memasang gagang (Gbr. A)

- ◆ Geser ujung bawah gagang (4) ke dalam ujung atas badan pel uap (12) hingga gagang terkunci pada tempatnya. Panah pada gagang (4) harus sejajar dengan bagian atas badan pel uap (12).

### Memasang kepala uap (Gbr. B)

- ◆ Geser ujung bawah badan pel uap (12) ke kepala uap (5) hingga badan pel uap terkunci pada tempatnya.
- ◆ Kepala uap dapat dilepas dari badan pel Uap dengan menekan tombol pelepas kepala uap (13) dan menarik badan pel uap (12) dari kepala uap (5).

### Memasang wadah air (Gbr. C)

- ◆ Kaitkan wadah air (3) pada gagang (4).
- ◆ Geser wadah air (3) ke bawah badan pel Uap (12), pastikan bahwa wadah air sudah pas betul.

### Memasang bantalan pembersih (Gbr. D)

Bantalan pembersih pengganti tersedia dari dealer Black & Decker (cat. no. FSMP20-XJ).

- ◆ Letakkan bantalan pembersih (6) di lantai dengan sisi 'pengait & tali' menghadap ke atas.
- ◆ Injak pel uap pada bantalan pembersih secara perlahan (6).

**Perhatian!** Selalu letakkan pel uap pada alas (7) dengan gagang (4) dalam posisi ke atas jika stasioner dan pastikan pel uap dimatikan jika tidak digunakan.

### Melepas bantalan pembersih (Gbr. E)

**Perhatian!** Selalu kenakan sepatu yang sesuai saat mengganti bantalan pembersih pada pel uap Anda. Jangan mengenakan sandal jepit atau sepatu dengan ujung terbuka.

- ◆ Kembalikan gagang (4) ke posisi ke atas dan 'MATIKAN' pel uap.

- ◆ Letakkan pel uap pada alas dan tunggu hingga pel uap dingin, (sekitar lima menit)
- ◆ Letakkan bagian depan sepatu Anda pada tab pelepas bantalan pembersih (14) dan injak dengan kuat.
- ◆ Angkat pel uap dari bantalan pembersih.

**Perhatian!** Selalu letakkan pel uap pada alas (7) dengan gagang (4) dalam posisi ke atas jika stasioner dan pastikan pel uap dimatikan jika tidak digunakan.

### Memasang glider karpet (Gbr. F) (Hanya FSM1620)

- ◆ Letakkan glider karpet di atas lantai.
- ◆ Injak pel uap pada glider karpet (11) secara perlahan hingga pel uap terkunci pada tempatnya.

**Perhatian!** Selalu letakkan pel uap pada alas (8) dengan gagang (4) dalam posisi ke atas jika stasioner dan pastikan pel uap dimatikan jika tidak digunakan.

### Melepas glider karpet (Gbr. F) (Hanya FSM1620)

**Perhatian!** Selalu kenakan sepatu yang sesuai saat mengganti glider karpet pada pel uap Anda. Jangan mengenakan sandal jepit atau sepatu dengan ujung terbuka.

- ◆ Kembalikan gagang (4) ke posisi ke atas dan 'MATIKAN' pel uap.
- ◆ Letakkan pel uap pada alas dan tunggu hingga pel uap dingin, (sekitar lima menit)
- ◆ Letakkan bagian depan sepatu Anda pada tab pelepas glider karpet (15) dan injak dengan kuat.
- ◆ Angkat pel uap dari glider karpet (9).

**Perhatian!** Selalu letakkan pel uap pada alas (8) dengan gagang (4) dalam posisi ke atas jika stasioner dan pastikan pel uap dimatikan jika tidak digunakan.

### Mengisi tangki air (Gbr. G)

Tangki air pada pel uap Anda dapat dilepas agar mudah diisi.

Pel Uap ini menggabungkan sistem anti-calk untuk membantu memperpanjang masa pakai sistem.

**Catatan:** Isi tangki air dengan air keran yang bersih.

**Catatan:** Di area yang sangat sulit air, penggunaan air de-ionisasi direkomendasikan.

- ◆ Lepas tangki air (3).
- ◆ Buka tutup pengisi (16) dengan mengangkatnya.
- ◆ Isi tangki air (3) dengan air.

**Peringatan!** Tangki air Anda memiliki kapasitas 0,46 liter. Jangan mengisi tangki sampai penuh.

- ◆ Pasang kembali tutup pengisi (16).
- ◆ Pasang kembali tangki air (3).

**Catatan:** Pastikan tutup pengisi dikencangkan dengan kuat.

## Penggunaan

**Penting!** Unit ini akan membunuh 99,9% bakteri & kuman jika digunakan sesuai dengan buku petunjuk ini dan dengan bantalan serat mikro yang terpasang dan waktu pengoperasian yang terus-menerus selama 90 detik.

## Menyalakan dan mematikan

- ◆ Untuk menghidupkan peralatan, tekan tombol ON/OFF (1). Memerlukan waktu sekitar 15 detik agar pel uap memanans.

**Catatan:** Saat pel uap dinyalakan untuk pertama kalinya, penampung air akan menyala dalam warna merah. Setelah pel uap siap digunakan, penampung air akan menyala dalam warna biru.

- ◆ Untuk mematikan peralatan, tekan tombol ON/OFF (1).

**Perhatian!** Jangan pernah meninggalkan pel uap di satu titik pada permukaan apa pun selama beberapa waktu. Selalu letakkan pel uap pada alas (7) dengan gagang (4) dalam posisi ke atas jika stasioner dan pastikan pel uap dimatikan jika tidak digunakan.




**Perhatian!** Selalu kosongkan pel uap setelah digunakan.

**Catatan:** Saat pertama kali diisi atau setelah mengering, memerlukan waktu hingga 45 detik agar mengeluarkan uap.

## Teknologi Autoselect™

Pel uap ini dipasang dengan tombol Autoselect™ (2) yang menunjukkan beragam aplikasi pembersihan. Aplikasi digunakan untuk memilih mode pengoperasian yang tepat untuk operasi pembersihan tertentu.

Dengan menggunakan tombol Autoselect™ (2), pilih dari salah satu aplikasi berikut:

	Kayu/Pelapis
	Batu/Marmer
	Ubin/Vinil

Pel uap akan memilih volume uap yang tepat yang diperlukan untuk operasi pembersihan tertentu.

**Catatan:** Selalu periksa bahwa Anda menggunakan pengaturan yang tepat sebelum menggunakan pel uap Anda.

## Petunjuk untuk penggunaan secara optimal

### Umum

**Perhatian!** Jangan gunakan pel uap tanpa memasang bantalan pembersih terlebih dahulu.

- ◆ Selama digunakan, Anda dapat menggunakan klip manajemen kabel (10) untuk menjaga kabel agar tidak keluar dari area kerja.
- ◆ Selalu gunakan penyedot debu atau sapu lantai sebelum menggunakan pel uap.
- ◆ Cara termudah untuk menggunakan mesin ini adalah memiringkan gagang ke sudut 45° dan bersihkan secara perlahan, mencakup area kecil sekaligus.
- ◆ Jangan gunakan pembersih kimia dengan pel uap Anda. Untuk membersihkan noda yang sulit dibersihkan dari lantai vinil atau linolium, Anda dapat memberikan deterjen lembut terlebih dahulu dan sedikit air sebelum menggunakan pel uap.

### Pembersihan uap

- ◆ Letakkan bantalan pembersih (6) di lantai dengan sisi 'pengait & tali' menghadap ke atas.
- ◆ Angkat pel uap dari alas (7) dan injak secara perlahan pada bantalan pembersih (6).
- ◆ Letakkan pel uap pada alas.
- ◆ Sambungkan pel uap ke alat listrik induk.
- ◆ Putar tombol Autoselect™ (2) ke pengaturan yang diperlukan.
- ◆ Tekan tombol ON/OFF (1). Memerlukan waktu sekitar 15 detik agar pel uap memanans.
- ◆ Menarik gagang (4) akan mengaktifkan pompa uap. Setelah beberapa detik, uap akan mulai keluar dari kepala uap.

**Catatan:** Saat pertama kali diisi atau setelah mengering, memerlukan waktu hingga 45 detik agar mengeluarkan uap.

- ◆ Memerlukan waktu beberapa detik agar uap masuk ke bantalan pembersih. Pel uap sekarang akan meluncur dengan mudah melalui permukaan yang akan dibersihkan.
- ◆ Dorong dan tarik pel uap secara perlahan pada lantai untuk membersihkan setiap bagian dengan uap secara menyeluruh.

**Catatan:** Selama digunakan, Anda dapat mematikan pompa uap dengan mengembalikan gagang ke posisi ke atas, fitur yang mudah ini akan memungkinkan Anda meletakkan sebentar pel uap pada alas sehingga Anda dapat memindahkan perabotan, kemudian lanjut membersihkan tanpa perlu mematikan peralatan.

- ◆ Jika sudah selesai menggunakan pel uap, kembalikan gagang (4) ke posisi ke atas dan 'MATIKAN',

letakkan pel uap pada alas (7) dan tunggu hingga pel uap dingin, (sekitar lima menit)

**Perhatian!** Penting untuk memantau tingkat air di dalam tangki air. Untuk mengisi ulang tangki air dan lanjut membersihkan, kembalikan gagang (4) ke posisi ke atas dan 'MATIKAN' pel uap. Cabut unit dari stopkontak, lepas dan isi ulang tangki air (3).

**Perhatian!** Jangan pernah meninggalkan pel uap di satu titik pada permukaan apa pun selama beberapa waktu. Selalu letakkan pel uap pada alas (7) dengan gagang (4) dalam posisi ke atas jika stasioner dan pastikan pel uap dimatikan jika tidak digunakan.

### Setelah penggunaan (Gbr. H & I)

- ◆ Kembalikan gagang (4) ke posisi ke atas dan 'MATIKAN' pel uap.
- ◆ Letakkan pel uap pada alas (7) dan tunggu hingga pel uap dingin, (sekitar lima menit)
- ◆ Cabut pel uap dari stopkontak.
- ◆ Kosongkan tangki air (3).
- ◆ Lepas bantalan pembersih (6) dan cuci bersih agar siap digunakan pada penggunaan berikutnya. (Ikuti petunjuk pencucian yang tercetak pada bantalan pembersih dengan saksama).
- ◆ Belit kabel listrik di sekitar kait perapi kabel (8 & 9).

**Catatan:** Kait perapi kabel bagian atas (9) berputar untuk melepaskan kabel dengan mudah agar siap digunakan pada penggunaan berikutnya.

- ◆ Kaitkan kabel listrik menggunakan klip perapi kabel (17) di dekat stop kontak.
- ◆ Letakkan pel uap pada alas (7) untuk penyimpanan.

**Catatan:** Dengan gagang (4) dalam posisi ke atas, kabel dibelit dengan rapi di sekitar kait perapi kabel (8 & 9) dan dikencangkan dengan klip perapi kabel (17), pel uap Anda akan dapat berdiri tegak selama penyimpanan. Sebagai alternatif, terdapat braket gantung (18) yang dipasang pada gagang tangan (19) yang akan memungkinkan pel uap Anda digantung dari kait yang sesuai pada dinding. Selalu pastikan bahwa pengait dinding Anda dapat menyangga beban pel uap dengan aman.

### Pemeliharaan dan pembersihan

Peralatan kabel Black & Decker Anda telah dirancang untuk beroperasi dalam waktu yang lama dengan minimum perawatan. Pengoperasian yang memuaskan secara terus-menerus bergantung pada perawatan peralatan yang benar serta pembersihan secara teratur.

**Peringatan!** Sebelum melakukan langkah perawatan atau pembersihan apa pun pada peralatan berkabel Anda, matikan dan cabut peralatan dari sumber daya.

- ◆ Bersihkan peralatan Anda menggunakan kain lembut yang lembut.

- ◆ Untuk tanda yang sulit dibersihkan, Anda dapat menggunakan larutan lembut dari sabun dan air untuk melembapkan kain Anda.

### Perawatan bantalan pembersih

Petunjuk pencucian - Tanpa pengondisi bahan - Biarkan mengering seluruhnya sebelum digunakan kembali.

**Perhatian!** Ikuti petunjuk pembersihan yang tercetak pada label bantalan pembersih.

### Melindungi lingkungan



Pengumpulan terpisah. Produk ini tidak boleh dibuang bersama limbah rumah tangga biasa.

Jika produk Black & Decker Anda perlu diganti, atau tidak lagi digunakan, jangan buang bersama sampah rumah tangga. Pisahkan pengumpulan produk ini.



Pengumpulan produk dan kemasan bekas secara terpisah memungkinkan material untuk didaur ulang dan digunakan lagi. Penggunaan kembali bahan yang didaur ulang membantu mencegah pencemaran lingkungan dan mengurangi kebutuhan bahan baku.

Undang-undang setempat mungkin memfasilitasi pengumpulan produk-produk kelistrikan terpisah dari sampah rumah tangga, di tempat pembuangan sampah kota atau oleh pedagang ritel pada saat Anda membeli produk baru.

### Informasi Servis

Black & Decker menawarkan jaringan lengkap lokasi layanan milik perusahaan dan resmi di seluruh Asia. Semua Pusat Layanan Black & Decker memiliki staf terlatih agar dapat memberikan layanan alat listrik yang efisien dan andal kepada konsumen. Bila Anda membutuhkan saran teknis, perbaikan, atau suku cadang pengganti asli pabrik, hubungi lokasi Black & Decker terdekat.

### Catatan

- ◆ Black & Decker memiliki kebijakan untuk terus meningkatkan produk dan karenanya, kami berhak mengubah spesifikasi produk tanpa pemberitahuan sebelumnya.
- ◆ Perlengkapan dan aksesoris standar mungkin beragam menurut negara.
- ◆ Spesifikasi produk mungkin akan berbeda menurut negara.
- ◆ Pilihan produk lengkap mungkin tidak tersedia di semua negara.
- ◆ Untuk mengetahui ketersediaan produk, hubungi dealer Black & Decker setempat Anda.

## FSM1610/1620 เครื่องถูพื้นระบบไอน้ำ

### ข้อมูลด้านเทคนิค

เครื่องถูพื้นระบบไอน้ำ	FSM1610/1620	
แรงดันไฟฟ้า	V <sub>ac</sub>	220-240
กำลังไฟ	วัตต์	1600
ความจุระบบถ้ำน้ำ	มล.	460
น้ำหนัก	กก.	2.7

### วัตถุประสงค์ในการใช้งาน

เครื่องถูพื้นระบบไอน้ำ Black & Decker ได้รับการออกแบบมาเพื่อใช้ฆ่าเชื้อโรคและทำความสะอาดไม้เนื้อแข็งเคลือบผิว ลามิเนตเคลือบผิว เลื่อน้ำมัน ไวนิล กระเบื้องเซรามิก พื้นหินและหินอ่อน และเพื่อทำความสะอาดพรม เครื่องมือนี้มีวัตถุประสงค์เพื่อการใช้งานภายในอาคารในที่ร่มเท่านั้น

### ข้อปฏิบัติเพื่อความปลอดภัย



**คำเตือน!** โปรดอ่านคำเตือนและข้อปฏิบัติเพื่อความปลอดภัยทั้งหมด การไม่ปฏิบัติตามคำเตือนและข้อปฏิบัติเหล่านี้ อาจทำให้ถูกไฟฟ้าช็อต เกิดเพลิงไหม้ และ/หรือบาดเจ็บสาหัสได้



**คำเตือน!** เมื่อใช้เครื่องมือไฟฟ้าที่ใช้ไฟจากสายเมน ต้องปฏิบัติตามข้อควรระวังเพื่อความปลอดภัยพื้นฐานรวมทั้งข้อควรระวังต่อไปนี เพื่อลดความเสี่ยงต่อการเกิดไฟไหม้ ถูกไฟดูด ได้รับบาดเจ็บ และวัสดุเสียหาย

- ♦ อ่านคู่มือเล่มนี้ทั้งหมดอย่างละเอียดก่อนใช้งานเครื่องมือนี้
- ♦ วัตถุประสงค์ในการใช้งานได้อธิบายไว้ในคู่มือนี้แล้ว การใช้อุปกรณ์เสริมหรืออุปกรณ์ยึดติด หรือการใช้งานใดๆ กับเครื่องมือนี้ นอกเหนือจากที่ได้แนะนำในคู่มือการใช้งานนี้ อาจเสี่ยงต่อการได้รับบาดเจ็บ
- ♦ เก็บรักษาเครื่องมือนี้ไว้เพื่อการอ้างอิงในอนาคต

### การใช้เครื่องมือของคุณ

- ♦ อย่าพ่นไอน้ำไปยังคน สัตว์ เครื่องใช้ไฟฟ้าหรือเตารับโดยตรง
- ♦ อย่าให้เครื่องมือถูกฝน
- ♦ อย่าจุ่มเครื่องมือลงในน้ำ
- ♦ อย่าปล่อยให้เครื่องมือทิ้งไว้โดยไม่มีผู้ดูแล
- ♦ อย่าเสียบปลั๊กไฟของเครื่องมือเข้ากับเต้ารับทิ้งไว้ เมื่อไม่ใช้งาน
- ♦ ห้ามดึงสายไฟเพื่อถอดปลั๊กของเครื่องออกจากเต้ารับ เก็บสายไฟของเครื่องให้พ้นจากความร้อน น้ำมัน และของมีคม
- ♦ อย่าใช้มือเปียกสัมผัสเครื่องทำความสะอาดระบบไอน้ำ

- ♦ อย่าดึงหรือหัวเครื่องด้วยสายไฟ อย่าใช้สายไฟเป็นที่จับ อย่าดึงสายไฟถูกมุมที่คมหรืออย่าให้สายสัมผัสกับพื้นผิวที่ร้อน
- ♦ อย่าใช้เครื่องมือในพื้นที่ที่ปิดซึ่งเต็มไปด้วยไอระเหยของหิน เนอร์สตรอนามัน สารป้องกันแมลงบางประเภท ผุ่นผงที่มีคุณสมบัติไวไฟ หรือไอระเหยอื่นๆ ที่สามารถระเบิดได้หรือเป็นพิษ
- ♦ ตรวจสอบประเภทของพื้นจากทางผู้ผลิต
- ♦ อย่าใช้กับเครื่องหนึ่ง เฟอร์นิเจอร์หรือพื้นที่ขัดเคลือบเงาด้วยแว็กซ์ ผ้าใยสังเคราะห์ ก้ามเหยี่ยวหรือวัสดุอื่นๆ ที่มอบบางหรือไวต่อไอน้ำ



**คำเตือน!** ห้ามใช้กับพื้นไม้ที่ไม่ได้เคลือบผิวหรือพื้นลามิเนตที่ไม่ได้เคลือบผิว สำหรับพื้นผิวที่ขัดเคลือบเงาไว้ด้วยแว็กซ์หรือพื้นบางประเภทที่ไม่ได้ลงแว็กซ์ไว้ ความเงางามอาจลดลง เนื่องจากผลของความร้อนและไอน้ำ ขอแนะนำให้ลองทดสอบพื้นผิวที่ต้องการทำความสะอาดในบริเวณพื้นผิวที่แยกไว้ต่างหากก่อน ใช้งานจริงทุกครั้ง นอกจากนี้ คุณยังควรศึกษาคำแนะนำในการใช้และการดูแลรักษาจากผู้ผลิตพื้น

- ♦ ห้ามเทผลิตภัณฑ์ซึ่งจัดเก็บในผลิตภัณฑ์ที่มีสารอะโรมาติก ผลิตภัณฑ์ที่มีแอลกอฮอล์หรือผลิตภัณฑ์สารซักล้างลงในเครื่องทำความสะอาดด้วยระบบไอน้ำ เนื่องจากอาจทำให้เครื่องเสียหายหรือไม่ปลอดภัยต่อการใช้งาน
- ♦ หากเซอร์กิตเบรกเกอร์ของบ้านตัดไฟระหว่างใช้งานการพ่นไอน้ำ ให้ยุติการใช้งานเครื่องทันที แล้วติดต่อศูนย์บริการลูกค้า (ระวังอันตรายจากไฟฟ้าช็อต)
- ♦ เครื่องใช้จะพ่นไอน้ำร้อนเพื่อฆ่าเชื้อโรคบริเวณพื้นที่ซึ่งจะใช้งาน ทั้งนี้หมายความว่าพ่นไอน้ำ แผ่นทำความสะอาดและแผ่นเสริมทำความสะอาดพรมจะร้อนมากในระหว่างใช้งาน
- ♦ **ข้อควรระวัง!** สวมรองเท้าที่เหมาะสมเสมอ เมื่อใช้งานเครื่องถูพื้นระบบไอน้ำและเมื่อเปลี่ยนอุปกรณ์เสริมให้เครื่องถูพื้นระบบไอน้ำ ห้ามสวมรองเท้าแตะหรือรองเท้าเปิดหัว
- ♦ ฝาปิดอาคารระหว่างการใช้งาน
- ♦ อาจมีไอน้ำพ่นออกจากเครื่องมือระหว่างการใช้งาน
- ♦ ควรใช้ความระมัดระวังในการใช้งานเครื่องมือนี้ ห้ามสัมผัสชิ้นส่วนต่างๆ ซึ่งอาจร้อนระหว่างการใช้งาน
- ♦ ปิดเครื่อง แล้วโยกมือจับให้อยู่ตำแหน่งตั้งตรงเหมือนเดิมก่อนถอดถังน้ำออก
- ♦ สำหรับใช้กับพื้นเท่านั้น ห้ามใช้เครื่องกลับด้าน เครื่องมือนี้มีวัตถุประสงค์เพื่อการใช้งานภายในอาคารในที่ร่มเท่านั้น

### หลังการใช้งาน

- ♦ ถอดปลั๊กเครื่องมือ แล้วปล่อยให้เครื่องเย็นลงก่อนทำความสะอาด
- ♦ เมื่อไม่ได้อ่าน ต้องเก็บเครื่องมือไว้ในบริเวณที่แห้ง
- ♦ เก็บเครื่องให้พ้นมือเด็ก

### การตรวจสอบและการซ่อมแซม

- ♦ ถอดปลั๊กเครื่องมือ แล้วปล่อยให้เครื่องเย็นก่อนทำการบำรุงรักษาหรือซ่อมแซมใดๆ

- ◆ ก่อนใช้งาน ให้ตรวจดูเครื่องมือว่ามีชิ้นส่วนที่ชำรุดเสียหายหรือบกพร่องหรือไม่ ตรวจดูว่ามีอาการแตกหักของชิ้นส่วน ความเสียหายของตัวสวิตช์ และสภาพอินไดที่อาจส่งผลกระทบต่อการใช้งานหรือไม่
- ◆ ตรวจดูความเสียหายของสายไฟอยู่เสมอ
- ◆ ห้ามใช้เครื่องมือนี้หากมีชิ้นส่วนใดชำรุดเสียหายหรือบกพร่อง
- ◆ ให้ศูนย์ซ่อมที่ได้รับอนุญาตเป็นผู้ซ่อมแซมหรือเปลี่ยนชิ้นส่วนที่ชำรุดหรือบกพร่อง
- ◆ อย่าย่ำยาลงตลอดหรือเปลี่ยนชิ้นส่วนใดๆ นอกเหนือจากที่ระบุในคู่มือนี้

### ความปลอดภัยของคุณคนอื่น

- ◆ เครื่องมือนี้ไม่ได้มีไว้เพื่อการใช้งานโดยบุคคล (ซึ่งรวมถึงผู้เยาว์) ที่มีความสามารถทางกายภาพ ความสามารถทางการรับรู้ หรือความสามารถทางสมองบกพร่อง หรือบุคคลซึ่งขาดประสบการณ์และความรู้ เว้นเสียแต่จะได้รับการควบคุมดูแลหรือคำแนะนำการใช้งานเครื่องมือจากผู้รับผิดชอบความปลอดภัยของบุคคลเหล่านั้น
- ◆ เด็กควรได้รับการควบคุมดูแลเพื่อให้แน่ใจว่าเด็กจะไม่เล่นเครื่องมือ

### ความเสี่ยงอื่นๆ ที่ยังมีอยู่

- ความเสี่ยงอื่นๆ ที่ไม่ได้ระบุในคำเตือนเพื่อความปลอดภัยนี้ อาจเกิดขึ้นได้เมื่อใช้เครื่องมือ ความเสี่ยงเหล่านี้อาจเกิดขึ้นจากการใช้อย่างไม่ถูกต้อง การใช้เป็นเวลานาน เป็นต้น แม้ว่าเราจะปฏิบัติตามข้อกำหนดด้านความปลอดภัยที่เกี่ยวข้องและใช้อุปกรณ์รักษาแล้ว แต่ความเสี่ยงอื่นๆ ที่ยังมีอยู่บางอย่างก็ไม่สามารถหลีกเลี่ยงได้ ความเสี่ยงเหล่านี้ได้แก่:
- ◆ การบาดเจ็บจากการสัมผัสชิ้นส่วนที่กำลังเคลื่อนที่
  - ◆ การบาดเจ็บจากการสัมผัสชิ้นส่วนที่ร้อน
  - ◆ การบาดเจ็บที่เกิดขึ้นขณะเปลี่ยนชิ้นส่วนหรืออุปกรณ์เสริมใดๆ
  - ◆ การบาดเจ็บที่เกิดจากการใช้เครื่องต่อเนื่องเป็นเวลานาน เมื่อใช้เครื่องเป็นระยะเวลานาน ต้องแน่ใจว่าคุณได้หยุดพักเป็นระยะ

### ความปลอดภัยทางไฟฟ้า



**คำเตือน!** ต้องต่อสายดินให้เครื่อง ต้องตรวจสอบกำลังไฟเพื่อให้ตรงกับแรงดันไฟฟ้าบนแผ่นแสดงพิกัดเสมอ

ปลั๊กไฟของเครื่องต้องเป็นชนิดเดียวกับตัวรับ ห้ามตัดแปลงปลั๊กไม่ว่าด้วยวิธีใด ปลั๊กที่ไม่มีการตัดแปลงและตัวรับชนิดเดียวกันจะช่วยลดความเสี่ยงจากการถูกไฟฟ้าช็อต

- ◆ หากสายไฟของตัวเครื่องชำรุดเสียหาย ต้องได้รับการเปลี่ยนโดยผู้ผลิตหรือศูนย์บริการของ **Black & Decker** ที่ได้รับอนุญาตเพื่อหลีกเลี่ยงอันตรายที่อาจเกิดขึ้น

### สายพ่วงและผลิตภัณฑ์ประเภทอื่น 1

- ◆ ต้องใช้สายไฟชนิด 3 แกน เนื่องจากเครื่องมือของคุณเชื่อมต่อดินและเป็นประเภทโครงสร้างชั้น 1
- ◆ สามารถใช้สายไฟได้ยาวสูงสุดถึง 30 ม. (100 ฟุต) โดยไม่มีการสูญเสียกำลัง

### ป้ายสัญลักษณ์บนเครื่องมือ

รูปภาพต่อไปนี้จะปรากฏบนเครื่องมือ:



**คำเตือน!** เพื่อลดความเสี่ยงต่อการบาดเจ็บ ผู้ใช้ต้องอ่านคู่มือการใช้งานเล่มนี้



**คำเตือน!** อันตรายจากแผลพุพอง

### ส่วนประกอบสำคัญ

เครื่องมือนี้มีส่วนประกอบบางอย่างหรือทั้งหมดต่อไปนี้

1. สวิตช์เปิด/ปิด
2. ปุ่มหมุน Autoselect™
3. กระบอกน้ำแบบถอดออกได้
4. คำนับ
5. หัวฟันไอน้ำ
6. แผ่นทำความสะอาดสำหรับหัวฟันไอน้ำ
7. ฐานพีกเครื่อง
8. ตะขอเก็บสายด้านหลัง
9. ตะขอเก็บสายด้านบน
10. คลิปจัดการสายไฟ
11. แผ่นเสริมทำความสะอาด (เฉพาะรุ่น FSM1620)

### การประกอบ

**คำเตือน!** ก่อนจะทำงานใดๆ ต่อไปนี้ โปรดตรวจดูว่าได้ปิดสวิตช์และถอดปลั๊กเครื่องมือ รวมทั้งปล่อยให้เครื่องเย็นลงและไม่มีน้ำอยู่ภายในเครื่อง

### การใส่ด้ามจับ (รูป A)

- ◆ ใส่ปลายด้านล่างของด้ามจับ (4) เข้าไปในปลายด้านบนของตัวเครื่องอุ้มน้ำ (12) จนได้ยินเสียงคลิกแสดงว่าเข้าที่ ควรให้สัญลักษณ์ลูกศรที่ด้ามจับ (4) อยู่ทางด้านบนของตัวเครื่องอุ้มน้ำ (12)

### การใส่หัวฟันไอน้ำ (รูป B)

- ◆ ใส่ปลายด้านล่างของตัวเครื่องอุ้มน้ำ (12) เข้าไปในหัวฟันไอน้ำ (5) จนได้ยินเสียงคลิก แสดงว่าเข้าที่
- ◆ คุณสามารถถอดหัวฟันไอน้ำออกจากตัวเครื่องอุ้มน้ำได้ออกโดยกดปุ่มปลดล็อคหัวฟันไอน้ำ (13) แล้วดึงตัวเครื่องอุ้มน้ำ (12) ออกจากหัวฟันไอน้ำ (5)

### การประกอบกระบอกน้ำ (รูป C)

- ◆ ยึดกระบอกน้ำ (3) เข้ากับด้ามจับ (4)

- ♦ ใส่กระบอกน้ำ (3) เข้าไปในตัวเครื่องอุ้มน้ำระบบไอน้ำ (12) ตรวจสอบว่ากระบอกน้ำยึดเข้าที่อย่างแน่นหนา

### การใส่แผ่นทำความสะอาด (รูป D)

แผ่นทำความสะอาดสำหรับเปลี่ยนสามารถหาซื้อได้จากตัวแทนจำหน่าย Black & Decker (หมายเลขติดต่อลูกค้า FSMP20-XJ)

- ♦ วางแผ่นทำความสะอาด (6) ลงบนพื้นโดยให้ด้าน 'ตัวเกี้ยวและหัวยึด' หายขึ้นด้านบน
- ♦ ค่อยๆ กดเครื่องอุ้มน้ำลงบนแผ่นทำความสะอาด (6)

**ข้อควรระวัง!** วางเครื่องอุ้มน้ำบนฐานพักเครื่อง (7) ทุกครั้ง โดยให้ตามจับ (4) ตั้งตรงเมื่ออยู่ข้างที่ และตรวจสอบให้แน่ใจว่าได้ปิดสวิตช์เครื่องอุ้มน้ำ เมื่อไม่ได้ใช้งาน

### การถอดแผ่นทำความสะอาด (รูป E)

**ข้อควรระวัง!** สวมรองเท้าที่เหมาะสมทุกครั้ง เมื่อเปลี่ยนแผ่นทำความสะอาดให้เครื่องอุ้มน้ำ ห้ามสวมรองเท้าแตะหรือรองเท้าเปิดหัว

- ♦ โยกตามจับ (4) ให้อยู่ในตำแหน่งตั้งตรง แล้วปรับสวิตช์เครื่องอุ้มน้ำไปที่ตำแหน่ง 'ปิด'
- ♦ วางเครื่องอุ้มน้ำลงบนฐานพักเครื่อง แล้วรอนจนเครื่องเย็น (ประมาณห้านาที)
- ♦ วางปลายรองเท้าลงบนแท็บปลดล็อคแผ่นทำความสะอาด (14) แล้วเหยียบให้แนบกับพื้น
- ♦ ยกเครื่องอุ้มน้ำขึ้นจนหลุดออกจากแผ่นทำความสะอาด

**ข้อควรระวัง!** วางเครื่องอุ้มน้ำบนฐานพักเครื่อง (7) ทุกครั้ง โดยให้ตามจับ (4) ตั้งตรงเมื่ออยู่ข้างที่ และตรวจสอบให้แน่ใจว่าได้ปิดสวิตช์เครื่องอุ้มน้ำ เมื่อไม่ได้ใช้งาน

### การใส่แผ่นเสริมทำความสะอาดพรม (รูป F) (เฉพาะรุ่น FSM1620)

- ♦ วางแผ่นเสริมทำความสะอาดพรมบนพื้น
- ♦ ค่อยๆ กดเครื่องอุ้มน้ำลงบนแผ่นเสริมทำความสะอาดพรม (11) จนได้ยินเสียงคลิก แสดงว่าเข้าที่

**ข้อควรระวัง!** วางเครื่องอุ้มน้ำบนฐานพักเครื่อง (8) ทุกครั้ง โดยให้ตามจับ (4) ตั้งตรงเมื่ออยู่ข้างที่ และตรวจสอบให้แน่ใจว่าได้ปิดสวิตช์เครื่องอุ้มน้ำ เมื่อไม่ได้ใช้งาน

### การถอดแผ่นเสริมทำความสะอาดพรม (รูป F) (เฉพาะรุ่น FSM1620)

**ข้อควรระวัง!** สวมรองเท้าที่เหมาะสมทุกครั้ง เมื่อเปลี่ยนแผ่นทำความสะอาดให้เครื่องอุ้มน้ำ ห้ามสวมรองเท้าแตะหรือรองเท้าเปิดหัว

- ♦ โยกตามจับ (4) ให้อยู่ในตำแหน่งตั้งตรง แล้วปรับสวิตช์เครื่องอุ้มน้ำไปที่ตำแหน่ง 'ปิด'
- ♦ วางเครื่องอุ้มน้ำลงบนฐานพักเครื่อง แล้วรอนจนเครื่องเย็น (ประมาณห้านาที)
- ♦ วางปลายรองเท้าลงบนแท็บปลดล็อคแผ่นเสริมทำความสะอาดพรม (15) แล้วเหยียบให้แนบกับพื้น
- ♦ ยกเครื่องอุ้มน้ำขึ้นจนหลุดออกจากแผ่นเสริมทำความสะอาดพรม (9)

**ข้อควรระวัง!** วางเครื่องอุ้มน้ำบนฐานพักเครื่อง (8) ทุกครั้ง โดยให้ตามจับ (4) ตั้งตรงเมื่ออยู่ข้างที่ และตรวจสอบ

ให้แน่ใจว่าได้ปิดสวิตช์เครื่องอุ้มน้ำ เมื่อไม่ได้ใช้งาน

### การเติมน้ำลงในกระบอกน้ำ (รูป G)

กระบอกน้ำเครื่องอุ้มน้ำเป็นชนิดถอดออกได้ เพื่อให้สามารถเติมน้ำได้อย่างสะดวกสบาย เครื่องอุ้มน้ำไอน้ำได้รวมระบบป้องกันการอุดตัน เพื่อช่วยยืดอายุการใช้งานเครื่อง

**หมายเหตุ:** ใช้น้ำประปาที่สะอาดเต็มลงถึงน้ำ

**หมายเหตุ:** ในพื้นที่ซึ่งน้ำมีความกระด้างมาก ควรใช้น้ำปราศจากคลอรีน

- ♦ ถอดกระบอกน้ำ (3) ออกจากเครื่อง
- ♦ เปิดฝาช่องเติมน้ำ (16) โดยยกฝาขึ้น
- ♦ เติมน้ำลงในกระบอกน้ำ (3)

**คำเตือน!** กระบอกน้ำมีความจ 0.46 ลิตร ห้ามเติมน้ำจนล้นกระบอกน้ำ

- ♦ ปิดฝาช่องเติมน้ำ (16) โดยกดฝาลงให้เข้าที่
- ♦ ใส่กระบอกน้ำ (3) กลับคืนเข้าที่

**หมายเหตุ:** ตรวจสอบให้แน่ใจว่าฝาช่องเติมน้ำแน่นสนิท

### การใช้งาน

**ข้อสำคัญ!** เครื่องมีคุณสมบัติกำจัดแบคทีเรียและเชื้อโรคต่างๆ ได้ 99.9% หากใช้งานตามคู่มือนี้ และใช้ร่วมกับแผ่นไมโครไฟเบอร์รวมทั้งใช้งานอย่างต่อเนื่องตลอด 90 วัน

### การเปิดและปิดสวิตช์

- ♦ หากต้องการเปิดเครื่อง ให้กดปุ่มเปิด/ปิด (1) ใช้เวลาประมาณ 15 วินาทีเพื่ออุ่นเครื่อง

**หมายเหตุ:** เมื่อเปิดเครื่องครั้งแรก ไฟที่สังเกตเห็นจะติดสว่างเป็นสีแดง เมื่อเครื่องพร้อมใช้งาน ไฟที่สังเกตเห็นจะเปลี่ยนเป็นสีน้ำเงิน

- ♦ หากต้องการปิดสวิตช์เครื่อง ให้กดปุ่มเปิด/ปิด (1)

**ข้อควรระวัง!** อย่าปล่อยให้เครื่องทำงานอยู่บนพื้นผิวในจุดใดจุดหนึ่งเป็นเวลานาน วางเครื่องอุ้มน้ำบนฐานพักเครื่อง (7) ทุกครั้ง โดยให้ตามจับ (4) ตั้งตรงเมื่ออยู่ข้างที่ และตรวจสอบให้แน่ใจว่าได้ปิดสวิตช์เครื่องอุ้มน้ำ เมื่อไม่ได้ใช้งาน

**ข้อควรระวัง!** เทน้ำออกจากเครื่องให้หมดหลังจากการใช้งานเสมอ




**หมายเหตุ:** เมื่อเติมน้ำครั้งแรกหรือหลังจากนำแห้ง เครื่องจะใช้เวลาในการสร้างไอน้ำไม่เกิน 45 วินาที

### เทคโนโลยี Autoselect™

เครื่องอุ้มน้ำนี้ติดตั้งปุ่มปรับ Autoselect™ (2) ซึ่งจะแสดงรูปแบบการใช้งานในการทำสะอาดบนพื้นผิวต่างๆ ปุ่มปรับนี้ใช้เลือกโหมดการทำงานที่เหมาะสมตามรูปแบบการทำสะอาดแต่ละประเภท

เมื่อต้องการใช้งานปุ่มหมุน Autoselect™ (2) ให้เลือกจากรูปแบบการใช้งานต่อไปนี้:



	ไม้/ลามิเนต
	หิน/หินอ่อน
	กระเบื้อง/ไวนิล

เครื่องดูดฝุ่นจะเลือกปริมาณไอน้ำที่เหมาะสมสำหรับใช้กับรูปแบบการทำความสะอาดแต่ละประเภท

**หมายเหตุ:** ตรวจสอบว่าคุณใช้การตั้งค่าที่ถูกต้องทุกครั้ง ก่อนใช้งานเครื่องดูดฝุ่นที่ระบบไอน้ำ

### คำแนะนำเพื่อการใช้งานอย่างเหมาะสม

#### ข้อควรระวัง

**ทั่วไป!** ห้ามใช้เครื่องดูดฝุ่นที่ระบบไอน้ำโดยไม่ได้ใส่แผ่นทำความสะอาดไว้ก่อน

- ระหว่างใช้งาน คุณสามารถใช้คลิปลัดการสายไฟ (10) เพื่อให้สายไฟเกาะบริเวณพื้นที่ทำงาน
- ดูดฝุ่นหรือกวาดพื้นทุกครั้งก่อนใช้งานเครื่องดูดฝุ่นที่ระบบไอน้ำ
- วิธีที่ง่ายที่สุดในการใช้งานเครื่องดูดฝุ่นคือให้โยกตัวจับให้เอียงทวนมุม 45° และค่อยๆ ทำความสะอาด โดยให้ครอบคลุมเป็นพื้นที่เล็กๆ ในแต่ละครั้ง
- ห้ามใช้น้ำยาทำความสะอาดที่เป็นสารเคมีกับเครื่องดูดฝุ่นระบบไอน้ำ หากต้องการทำความสะอาดสกปรกที่ออกยากจากพื้นไวนิลหรือเสื่อน้ำมัน คุณสามารถใช้ผงซักฟอกอื่นๆ ผสมกับน้ำบางส่วนทำความสะอาดพื้นไว้ล่วงหน้าก่อนใช้เครื่องดูดฝุ่นที่ระบบไอน้ำ

#### การทำมาสะอาดด้วยไอน้ำ

- วางแผ่นทำความสะอาด (6) ลงบนพื้นโดยให้ด้าน 'ตัวเกี่ยวและห่วงยึด' หงายขึ้นด้านบน
- ยกเครื่องดูดฝุ่นที่ระบบไอน้ำขึ้นจนหลุดออกจากฐานพักเครื่อง (7) และค่อยๆ กดเครื่องลงบนแผ่นทำความสะอาด (6)
- วางเครื่องดูดฝุ่นที่ระบบไอน้ำบนฐานพักเครื่อง
- ต่อเครื่องดูดฝุ่นที่ระบบไอน้ำเข้ากับแหล่งจ่ายไฟหลัก
- ปรับปุ่มหมุน AutoSelect™ (2) ไปที่การตั้งค่าลักษณะพื้นผิวตามที่ต้องการ
- กดปุ่มเปิด/ปิด (1) ใช้เวลาประมาณ 15 วินาทีเพื่ออุ่นเครื่อง
- ดึงตัวจับ (4) เข้าหาตัวเพื่อเปิดบีบไอน้ำให้ทำงาน เพียงไม่กี่วินาที จะเริ่มมีไอน้ำพุ่งออกมาจากหัวพ่นไอน้ำ

**หมายเหตุ:** เมื่อเติมน้ำครั้งแรกหรือหลังจากนำน้ำแห้ง เครื่องจะใช้เวลาในการสร้างไอน้ำไม่เกิน 45 วินาที

- ไอน้ำจะใช้เวลาผ่านเข้าสู่แผ่นทำความสะอาดเพียงไม่กี่วินาที ตอนนี้เครื่องดูดฝุ่นที่ระบบไอน้ำจะเลื่อนไปบนพื้นผิวที่จะฆ่าเชื้อโรค/ทำความสะอาดได้อย่างสะอาด
- ค่อยๆ ลากเครื่องดูดฝุ่นที่ระบบไอน้ำไปมาบนพื้น เพื่อให้ไอน้ำทำความสะอาดแต่ละบริเวณได้อย่างทั่วถึง

**หมายเหตุ:** ระหว่างใช้งาน คุณอาจปิดบีบไอน้ำได้โดยโยกตัวจับให้อยู่ในตำแหน่งตั้งตรง ซึ่งเป็นคุณสมบัติที่ช่วยอำนวยความสะดวกทำให้คุณสามารถวางเครื่องดูดฝุ่นบนฐานพักเครื่องในเวลาสั้นๆ ได้ จึงมีเวลาเลื่อนขยับตำแหน่งเฟอร์นิเจอร์ แล้วทำความสะอาดต่อโดยไม่ต้องปิดสวิตช์เครื่อง

- เมื่อใช้งานเครื่องเสร็จเรียบร้อย ให้โยกตัวจับ (4) ให้ตั้งตรง แล้วกดสวิตช์ 'ปิด' วางเครื่องบนฐานพักเครื่อง (7) และรอจนกระทั่งเครื่องดูดฝุ่นเย็นลง (ประมาณห้านาที)

**ทั่วไป!** ต้องหมั่นตรวจสอบระดับน้ำในถังน้ำย่อยเสมอ เมื่อต้องการเติมน้ำในถังน้ำแล้วฆ่าเชื้อโรค/ทำความสะอาดให้โยกตัวจับ (4) ให้อยู่ในตำแหน่งตั้งตรง และปรับสวิตช์เครื่องดูดฝุ่นที่ระบบไอน้ำไปที่ตำแหน่ง 'ปิด' ถอดปลั๊กออกจากเต้ารับที่ผนัง ถอดกระบอกน้ำ (3) ออกจากเครื่องแล้วเติมน้ำ

**ทั่วไป!** อย่าปล่อยให้เครื่องทำงานอยู่บนพื้นผิวในจุดใดจุดหนึ่งเป็นเวลานาน วางเครื่องดูดฝุ่นที่ระบบไอน้ำบนฐานพักเครื่อง (7) ทุกครั้ง โดยให้ตัวจับ (4) ตั้งตรงเมื่ออยู่ยั้งยั่งที่ และตรวจสอบให้แน่ใจว่าได้ปิดสวิตช์เครื่องดูดฝุ่นที่ระบบไอน้ำ เมื่อไม่ได้ใช้งาน

#### หลังการใช้งาน (รูป H และ I)

- โยกตัวจับ (4) ให้อยู่ในตำแหน่งตั้งตรง แล้วปรับสวิตช์เครื่องดูดฝุ่นที่ระบบไอน้ำไปที่ตำแหน่ง 'ปิด'
- วางเครื่องดูดฝุ่นที่ระบบไอน้ำบนฐานพักเครื่อง (7) และรอจนกระทั่งเครื่องเย็น (ประมาณห้านาที)
- ถอดปลั๊กเครื่องดูดฝุ่นที่ระบบไอน้ำออกจากเต้ารับที่ผนัง
- เทน้ำออกจากกระบอกน้ำ (3) ให้หมด
- ถอดแผ่นทำความสะอาด (6) ออก และซักทันที เพื่อให้พร้อมใช้งานในครั้งต่อไป (ปฏิบัติตามคำแนะนำในการซักและดูแลรักษาที่พิมพ์อยู่บนแผ่นทำความสะอาดด้วยความระมัดระวัง)
- ม้วนพื้นสายไฟรอบตะขอเก็บสาย (8 และ 9)

**หมายเหตุ:** ตะขอเก็บสายด้านบน (9) จะหมุนได้รอบ เพื่อช่วยให้คลี่สายไฟออกมาได้สะดวกสำหรับการพร้อมใช้งานในครั้งต่อไป

- ห็นับสายไฟเข้าด้วยกันด้วยคลิปลับเก็บสาย (17) ที่อยู่ใกล้กับปลั๊กของเครื่อง
- วางเครื่องดูดฝุ่นที่ระบบไอน้ำลงบนฐานพักเครื่อง (7) สำหรับจัดเก็บ

**หมายเหตุ:** เมื่อตัวจับ (4) อยู่ในลักษณะตั้งตรง คุณก็จะสามารถพับสายไฟรอบตะขอเก็บสาย (8 และ 9) ได้ง่าย ร็วเรียบร้อย และลดสายไฟให้แน่นด้วยคลิปลับเก็บสาย (17) เครื่องดูดฝุ่นที่ระบบไอน้ำก็จะตั้งอยู่บนฐานในสภาพพร้อมที่จะจัดเก็บได้ อีกวิธีหนึ่ง มีตัวยึดสำหรับแขวน (18) ติดตั้งอยู่ที่ตัวจับ (19) ซึ่งจะช่วยให้สามารถแขวนเครื่องดูดฝุ่นกับตะขอแขวนที่เหมาะสมบนผนังได้ ตรวจสอบให้แน่ใจทุกครั้งว่าตะขอแขวนที่ผนังสามารถรับน้ำหนักของเครื่องดูดฝุ่นได้อย่างปลอดภัย

#### การบำรุงรักษาและการทำความสะอาด

เครื่องมือแบบมีสายของ Black & Decker ออกแบบมาให้สามารถใช้งานได้อย่างยาวนานต่อเนื่อง โดยที่ที่มีการบำรุงรักษาบ่อยที่สุด การที่เครื่องทำงานได้ดีอย่างต่อเนื่องขึ้นอยู่กับารดูแลรักษาเครื่องที่เหมาะสมและการทำความสะอาดอย่างสม่ำเสมอ

**คำเตือน!** ก่อนดำเนินการบำรุงรักษาหรือทำความสะอาดเครื่องมือแบบมีสายของคุณ ให้ปิดสวิตช์และถอดปลั๊กเครื่องออก

- ◆ ใช้ผ้านุ่มชุบน้ำหมาดๆ เช็ดเครื่องให้ทั่ว
- ◆ สำหรับคราบสกปรกที่ขจัดออกยาก ให้ใช้ผ้าชุบน้ำสบู่อ่อนๆ ทำความสะอาด

### การดูแลรักษาแผ่นทำความสะอาด

คำแนะนำในการซักรีดและดูแลรักษา - ห้ามใช้น้ำยาปรับผ้านุ่ม

- ปล่อยให้แห้งสนิทก่อนนำมาใช้ใหม่

**ทั่วไป!** ทำตามคำแนะนำการทำความสะอาดที่พิมพ์ไว้บนฉลากของแผ่นทำความสะอาด

### การปกป้องสิ่งแวดล้อม



การเก็บรวบรวมแบบคัดแยก ห้ามทิ้งผลิตภัณฑ์นี้รวมกับขยะในครัวเรือนปกติ

หากเมื่อใดก็ตามที่จำเป็นต้องเปลี่ยนผลิตภัณฑ์ Black & Decker หรือถ้าเครื่องมือนี้ไม่เป็นประโยชน์อีกต่อไป อย่าวางผลิตภัณฑ์นี้รวมกับขยะในครัวเรือน จัดการกับผลิตภัณฑ์นี้เพื่อให้พร้อมสำหรับการเก็บรวบรวมแบบคัดแยก



การเก็บรวบรวมแบบคัดแยกสำหรับบรรจุภัณฑ์และผลิตภัณฑ์ที่ใช้แล้วทำให้สามารถรีไซเคิลวัสดุและนำมาใช้งานอีกครั้ง การนำวัสดุรีไซเคิลมาใช้อีกครั้งจะช่วยป้องกันมลพิษต่อสิ่งแวดล้อมและลดความต้องการวัตถุดิบ

ตามกฎระเบียบท้องถิ่นอาจมีการจัดเตรียมสถานที่สำหรับการเก็บรวบรวมแบบคัดแยกอุปกรณ์ไฟฟ้าที่ใช้ภายในครัวเรือนไว้ ณ แหล่งรับขยะของเทศบาล หรืออาจมีการรับอุปกรณ์ใช้แล้วจากผู้ค้าปลีกในกรณีที่คุณซื้อผลิตภัณฑ์ชิ้นใหม่

### ข้อมูลการบริการ

Black & Decker มีเครือข่ายศูนย์บริการเต็มรูปแบบ ทั้งที่เป็นเจ้าของและศูนย์บริการที่ได้รับอนุญาต กระจายอยู่ทั่วเอเชียที่ศูนย์บริการ Black & Decker ทุกแห่ง มีพนักงานที่ผ่านการฝึกอบรมเพื่อให้บริการเกี่ยวกับเครื่องใช้ไฟฟ้าอย่างมีประสิทธิภาพและเชื่อถือได้ ไม่ว่าคุณจะต้องการคำแนะนำด้านเทคนิค การซ่อมแซม หรืออะไหล่จากโรงงาน โปรดติดต่อศูนย์ Black & Decker ใกล้บ้าน

### หมายเหตุ

- ◆ เนื่องจาก Black & Decker มีนโยบายพัฒนาปรับปรุงผลิตภัณฑ์อย่างต่อเนื่อง ดังนั้น เราจึงขอสงวนสิทธิ์ในการเปลี่ยนแปลงข้อมูลจำเพาะของผลิตภัณฑ์โดยไม่แจ้งให้ทราบล่วงหน้า
- ◆ อุปกรณ์มาตรฐานและอุปกรณ์เสริมอาจแตกต่างกันในแต่ละประเทศ
- ◆ ข้อมูลจำเพาะของผลิตภัณฑ์อาจแตกต่างกันในแต่ละประเทศ
- ◆ ตัวเลือกผลิตภัณฑ์อาจมีจำหน่ายไม่ครบทุกรายการในบางประเทศ

- ◆ โปรดสอบถามรุ่นผลิตภัณฑ์ที่มีจำหน่ายจากตัวแทนจำหน่ายของ Black & Decker ในประเทศของคุณ

## FSM1610/1620 CÂY LAU SÀN HƠI NƯỚC

### Thông số kỹ thuật

Cây lau sàn hơi nước	FSM1610/1620	
Điện áp	$V_{ac}$	220-240
Công suất	W	1600
Dung tích bình nước	ml	460
Trọng lượng	kg	2.7

### Mục đích sử dụng

Cây lau sàn hơi nước Black & Decker được thiết kế để vệ sinh và khử trùng sàn gỗ cứng kín, tấm kính, vải sơn, nhựa vinyl, gạch gốm, đá và đá cẩm thạch cũng như để làm mới thảm. Thiết bị này được thiết kế để sử dụng trong gia đình.

### Hướng dẫn an toàn



**Cảnh báo! Hãy đọc tất cả các cảnh báo và hướng dẫn về an toàn.** Việc không tuân theo các cảnh báo và hướng dẫn được liệt kê dưới đây có thể gây giật điện, cháy nổ và/hoặc chấn thương nghiêm trọng.



**Cảnh báo!** Khi sử dụng các thiết bị chạy bằng điện nguồn, luôn phải tuân theo các biện pháp an toàn cơ bản dưới đây để giảm thiểu nguy cơ cháy nổ, giật điện, chấn thương cá nhân và hư hỏng vật liệu.

- ◆ Đọc kỹ tài liệu hướng dẫn này trước khi sử dụng thiết bị.
- ◆ Mục đích sử dụng được mô tả trong tài liệu hướng dẫn này. Việc sử dụng bất kỳ phụ kiện hay thiết bị đi kèm hoặc thực hiện bất kỳ thao tác nào bằng thiết bị này ngoài các mục đích sử dụng khuyến nghị trong tài liệu hướng dẫn này có thể dẫn đến nguy cơ bị chấn thương cá nhân.
- ◆ Giữ lại tài liệu hướng dẫn này để tham khảo về sau.

### Cách sử dụng thiết bị

- ◆ Không hướng hơi nước về phía người, động vật, thiết bị hoặc ổ cắm điện.
- ◆ Không để thiết bị ngoài trời mưa.
- ◆ Không ngâm thiết bị trong nước.
- ◆ Luôn giám sát thiết bị.

- ◆ Phải rút phích cắm thiết bị ra khỏi ổ cắm điện khi không sử dụng.
- ◆ Tuyệt đối không kéo dây điện để rút phích cắm của thiết bị ra khỏi ổ cắm. Giữ dây điện của thiết bị cách xa nguồn nhiệt, dầu và các cạnh sắc.
- ◆ Không cầm cây lau sàn hơi nước khi tay ướt.
- ◆ Không kéo hoặc cầm vào dây điện, sử dụng dây điện làm tay cầm, đóng cửa kẹp vào dây điện, kéo dây điện gần các góc sắc hoặc để dây điện tiếp xúc với bề mặt nóng.
- ◆ Không sử dụng thiết bị trong không gian kín có hơi nước của chất pha loãng sơn có chứa dầu, một số chất diệt côn trùng, bụi dễ cháy hoặc các hơi nước dễ nổ hay độc hại khác.
- ◆ Hỏi nhà sản xuất để biết loại sàn.
- ◆ Không sử dụng trên da, đồ nội thất hoặc sàn được đánh bóng bằng sáp, vải tổng hợp, nhung hay các vật liệu mỏng, nhạy cảm với hơi nước.



**Cảnh báo!** Không sử dụng trên sàn gỗ hoặc sàn tấm bị hờ. Trên các bề mặt đã được xử lý bằng sáp hoặc một số sàn không có sáp, có thể loại bỏ nước bóng bằng nhiệt và hơi nước. Luôn nên kiểm tra khu vực cách điện của bề mặt cần vệ sinh trước khi tiến hành. Bạn cũng nên xem hướng dẫn sử dụng và hướng dẫn bảo quản của nhà sản xuất sàn.

- ◆ Tuyệt đối không đặt các sản phẩm cạo ghi, sản phẩm tạo mùi, sản phẩm có cồn hoặc chất tẩy rửa vào cây lau sàn hơi nước vì điều này có thể làm hỏng cây lau sàn hoặc gây nguy hiểm cho người sử dụng.
- ◆ Nếu cầu dao tại nhà kích hoạt trong khi sử dụng chức năng hơi nước, ngừng sử dụng sản phẩm ngay lập tức rồi liên hệ với trung tâm hỗ trợ khách hàng. (Đề phòng nguy cơ bị điện giật).
- ◆ Thiết bị tỏa ra hơi nước rất nóng để khử trùng khu vực sử dụng. Điều này có nghĩa là đầu phun hơi nước, tấm nilon sàn và các vật đi kèm với thảm trở nên rất nóng trong quá trình vệ sinh.
- ◆ Thận trọng! Luôn đi giày phù hợp khi sử dụng cây lau sàn hơi nước và khi thay phụ kiện trên cây lau sàn hơi nước của bạn. Không đi dép lê hay giày dép hở ngón chân.
- ◆ Nắp có thể nóng dần trong khi sử dụng.
- ◆ Hơi nước có thể thoát ra từ thiết bị trong quá trình sử dụng.
- ◆ Phải thận trọng khi sử dụng thiết bị này. KHÔNG chạm vào bất kỳ bộ phận nào có thể nóng dần trong quá trình sử dụng.
- ◆ Tắt thiết bị và dựng thẳng tay cầm trước khi tháo bình nước.

- ◆ Chỉ sử dụng để vệ sinh sàn; chỉ sử dụng theo chiều thẳng đứng. Thiết bị này được thiết kế để sử dụng trong gia đình.

### Sau khi sử dụng

- ◆ Rút phích cắm ra khỏi ổ cắm rồi để thiết bị nguội trước khi tiến hành vệ sinh.
- ◆ Khi không sử dụng, phải bảo quản thiết bị ở nơi khô ráo.
- ◆ Không được cho trẻ em ra vào khu vực bảo quản thiết bị.

### Kiểm tra và sửa chữa

- ◆ Rút phích cắm ra khỏi ổ cắm rồi để thiết bị nguội trước khi thực hiện công việc bảo trì hay sửa chữa.
- ◆ Trước khi sử dụng, hãy kiểm tra xem có bộ phận nào bị hỏng hoặc lỏng không. Kiểm tra các bộ phận bị gãy, công tắc bị hỏng và các điều kiện khác nhau có thể ảnh hưởng đến vận hành của thiết bị.
- ◆ Thường xuyên kiểm tra dây nguồn xem có bị hư hỏng không.
- ◆ Không sử dụng thiết bị có bất kỳ bộ phận nào bị hỏng hoặc lỏng.
- ◆ Mang các bộ phận bị hỏng hoặc lỏng đến đại lý được ủy quyền để sửa chữa hoặc thay thế.
- ◆ Tuyệt đối không tháo hoặc thay bất kỳ bộ phận nào ngoài những bộ phận được quy định trong tài liệu này.

### Vấn đề an toàn đối với người khác

- ◆ Không cho phép những người (bao gồm cả trẻ em) bị suy giảm năng lực thể chất, trí tuệ hoặc cảm giác, hay người thiếu kinh nghiệm và kiến thức sử dụng dụng cụ điện cầm tay này, trừ khi có sự giám sát hoặc hướng dẫn của người chịu trách nhiệm về vấn đề an toàn của họ.
- ◆ Phải giám sát để đảm bảo trẻ không nghịch thiết bị.

### Các nguy cơ còn lại

Các nguy cơ khác có thể phát sinh khi sử dụng dụng cụ không nằm trong các cảnh báo an toàn đính kèm. Những nguy cơ này có thể phát sinh từ việc sử dụng sai mục đích, sử dụng trong thời gian dài, v.v. Kể cả việc áp dụng các quy tắc an toàn liên quan và dùng các thiết bị an toàn cũng không thể tránh được một số nguy cơ khác. Những nguy cơ này gồm:

- ◆ Chấn thương do chạm vào bất kỳ bộ phận đang chuyển động nào.
- ◆ Chấn thương do chạm vào bất kỳ bộ phận nóng nào.
- ◆ Chấn thương do thay đổi các bộ phận hay phụ kiện.
- ◆ Chấn thương do sử dụng thiết bị trong thời gian dài. Khi sử dụng bất kỳ thiết bị nào trong khoảng thời

gian dài, bạn phải đảm bảo nghỉ giải lao thường xuyên.

### An toàn điện



**Cảnh báo! Sàn phẩm này phải được nối đất. Luôn kiểm tra nguồn điện có tương ứng với điện áp trên biển thông số định mức hay không.**

Phích cắm điện phải vừa với ổ cắm. Không sửa đổi phích cắm bằng bất kỳ cách nào. Phích cắm nguyên trạng và ổ cắm phù hợp sẽ giúp giảm nguy cơ bị điện giật.

- ◆ **Nếu dây cáp điện bị hỏng, phải yêu cầu nhà sản xuất hoặc trung tâm bảo hành Black & Decker thay thế để tránh gây nguy hiểm.**

### Dây nối dài và sàn phẩm Nhóm 1

- ◆ **Phải sử dụng dây 3 lõi vi thiết bị của bạn được nối đất và thuộc Nhóm 1.**
- ◆ **Có thể sử dụng tới 30m (100 feet) mà không gây tổn hao công suất.**

### Ký hiệu trên thiết bị

Trên máy có các ký hiệu sau:



**Cảnh báo! Để giảm nguy cơ chấn thương, người dùng phải đọc hướng dẫn sử dụng.**



**Cảnh báo! Nguy cơ bỏng**

### Tính năng

Thiết bị này gồm một số hoặc tất cả những tính năng sau.

1. Công tắc BẬT/TẮT
2. Nút chỉnh chức năng Autoselect™
3. Bình nước có thể tháo rời
4. Tay cầm
5. Đầu phun hơi nước
6. Tấm nilon lau sàn
7. Tấm lót chân đế
8. Móc dây điện dưới
9. Móc dây điện trên
10. Kẹp dây điện
11. Tấm trượt thảm (Chỉ với kiểu máy FSM1620)

## Lắp ráp

**Cảnh báo!** Trước khi tiến hành bất kỳ thao tác nào sau đây, phải đảm bảo rằng bạn đã tắt và rút phích cắm của thiết bị cũng như thiết bị đã nguội và không chứa nước.

### Gắn tay cầm (Hình A)

- ◆ Trượt đầu dưới của tay cầm (4) vào đầu trên của thân cây lau sàn hơi nước (12) cho tới khi nghe thấy tiếng cách. Mũi tên trên tay cầm (4) phải thẳng với mặt trước của thân cây lau sàn hơi nước (12).

### Bắt đầu phun hơi nước (Hình B)

- ◆ Trượt đầu dưới của thân cây lau sàn hơi nước (12) lên trên đầu phun hơi nước (5) cho tới khi nghe thấy tiếng cách.
- ◆ Bạn có thể tháo đầu phun hơi nước ra khỏi thân Cây lau sàn hơi nước bằng cách ấn nút nhỏ đầu phun hơi nước (13) rồi kéo thân cây lau sàn hơi nước (12) ra khỏi đầu phun hơi nước (5).

### Gắn bình nước (Hình C)

- ◆ Kẹp bình nước (3) lên trên tay cầm (4).
- ◆ Trượt bình nước (3) xuống vào thân Cây lau sàn hơi nước (12), đảm bảo rằng bình nước có điểm tựa chắc chắn.

### Gắn tấm nilon lau sàn (Hình D)

Tấm nilon lau sàn thay thế có bán tại đại lý Black & Decker (loại FSMP20-XJ).

- ◆ Đặt tấm nilon lau sàn (6) trên sàn với mặt 'bằng gai nhám' quay lên trên.
- ◆ Nhẹ nhàng ấn cây lau sàn hơi nước xuống tấm nilon lau sàn (6).

**Thận trọng!** Luôn đặt cây lau sàn hơi nước trên tấm lót chân đế (7) và dựng tay cầm (4) khi không hoạt động và đảm bảo tắt cây lau sàn hơi nước khi không sử dụng.

### Tháo tấm nilon lau sàn (Hình E)

**Thận trọng!** Luôn đi giày phù hợp khi thay tấm nilon lau sàn trên cây lau sàn hơi nước. Không đi dép lê hay giày dép hở ngón chân.

- ◆ Dựng thẳng tay cầm (4) rồi 'TẮT' cây lau sàn hơi nước.
- ◆ Đặt cây lau sàn hơi nước trên tấm lót chân đế rồi chờ cho tới khi nguội hẳn (khoảng năm phút)
- ◆ Đặt mũi giấy của bạn lên trên tai tháo tấm nilon lau sàn (14) rồi ấn mạnh xuống.
- ◆ Nâng cây lau sàn hơi nước lên khỏi tấm nilon lau sàn.

**Thận trọng!** Luôn đặt cây lau sàn hơi nước trên tấm lót chân đế (7) và dựng thẳng tay cầm (4) khi không hoạt động và đảm bảo tắt cây lau sàn hơi nước khi không sử dụng.

**Gắn tấm trượt thảm (Hình F)** (Chỉ dành cho kiểu máy FSM1620)

- ◆ Đặt tấm trượt thảm trên sàn.
- ◆ Nhẹ nhàng ấn cây lau sàn hơi nước trên tấm trượt thảm (11) cho tới khi nghe thấy tiếng cách.

**Thận trọng!** Luôn đặt tấm lót chân đế (8) và dựng thẳng tay cầm (4) khi nghỉ và đảm bảo tắt cây lau sàn hơi nước khi không sử dụng.

**Tháo tấm trượt thảm (Hình F)** (Chỉ dành cho kiểu máy FSM1620)

**Thận trọng!** Luôn đi giày phù hợp khi thay tấm trượt thảm trên cây lau sàn hơi nước. Không đi dép lê hay giày dép hở ngón chân.

- ◆ Dựng thẳng tay cầm (4) rồi 'TẮT' cây lau sàn hơi nước.
- ◆ Đặt cây lau sàn hơi nước trên tấm lót chân đế rồi chờ cho tới khi nguội hẳn (khoảng năm phút)
- ◆ Đặt mũi giấy của bạn trên đầu tháo tấm trượt thảm (15) rồi ấn mạnh xuống.
- ◆ Nâng cây lau sàn hơi nước lên khỏi tấm trượt thảm (9).

**Thận trọng!** Luôn đặt tấm lót chân đế (8) và dựng thẳng tay cầm (4) khi nghỉ và đảm bảo tắt cây lau sàn hơi nước khi không sử dụng.

### Nạp nước vào bình nước (Hình G)

Có thể tháo rời bình nước trên cây lau sàn hơi nước để nạp nước một cách thuận tiện và dễ dàng. Cây lau sàn hơi nước được trang bị hệ thống chống cạn để giúp kéo dài tuổi thọ của hệ thống.

**Lưu ý:** Nạp bình nước bằng nước máy sạch.

**Lưu ý:** Ở những khu vực nước rất cứng, bạn nên sử dụng nước khử ion.

- ◆ Tháo bình nước (3).
- ◆ Nâng nắp miệng rót (16) lên để mở.
- ◆ Nạp nước vào bình nước (3).

**Cảnh báo!** Bình nước của bạn có dung tích 0,46 lít. Không nạp đầy tràn bình.

- ◆ Đóng nắp miệng rót lại (16).
- ◆ Lắp lại bình nước (3).

**Lưu ý:** Đảm bảo đóng chặt nắp miệng rót.

### Cách sử dụng

**Quan trọng!** Thiết bị này sẽ diệt 99,9% vi khuẩn và vi trùng khi được sử dụng theo đúng hướng dẫn sử dụng này cũng như khi lắp tấm microfibre và chạy liên tục trong 90 giây.

**Bật và tắt**

◆ Để bật dụng cụ, ấn công tắc BẬT/TẮT (1). Cây lau sàn hơi nước nóng lên trong khoảng 15 giây.

**Lưu ý:** Khi bật cây lau sàn hơi nước lần đầu tiên, bình nước sẽ phát sáng màu đỏ. Khi cây lau sàn hơi nước đã sẵn sàng để sử dụng, bình nước sẽ phát sáng màu xanh lam.

◆ Để tắt thiết bị, ấn nút BẬT/TẮT (1).

**Thận trọng!** Tuyệt đối không để lâu cây lau sàn hơi nước tại một điểm trên bất kỳ bề mặt nào. Luôn đặt cây lau sàn hơi nước trên tấm lót chân đế (7) và dựng thẳng tay cầm (4) khi không hoạt động và đảm bảo tắt cây lau sàn hơi nước khi không sử dụng.




**Thận trọng!** Luôn đổ hết nước trong cây lau sàn hơi nước sau khi sử dụng.

**Lưu ý:** Khi nạp nước lần đầu tiên hoặc sau khi chạy tới khi hết nước, có thể mất tối đa 45 phút để sản sinh ra hơi nước.

**Công nghệ Autoselect™**

Cây lau sàn hơi nước được trang bị nút chỉnh chức năng Autoselect™ (2) hiển thị các ứng dụng vệ sinh khác nhau. Chúng được sử dụng để chọn chế độ vận hành chính xác cho hoạt động vệ sinh cụ thể của bạn.

Sử dụng nút Autoselect™ (2), chọn một trong những ứng dụng sau:

	Gỗ/Tấm
	Đá/Đá cẩm thạch
	Gạch/Nhựa vinyl

Cây lau sàn hơi nước sẽ chọn lượng hơi nước chính xác cho hoạt động vệ sinh cụ thể của bạn.

**Lưu ý:** Luôn kiểm tra xem bạn có sử dụng đúng cài đặt không trước khi sử dụng cây lau sàn hơi nước.

**Gợi ý để sử dụng tối ưu**

**Khái quát**

**Thận trọng!** Tuyệt đối không sử dụng cây lau sàn hơi nước khi chưa gắn tấm nilon lau sàn.

- ◆ Trong quá trình sử dụng, bạn có thể sử dụng kẹp dây điện (10) để dây điện không nằm trong khu vực làm việc.
- ◆ Luôn hút bụi hoặc quét sàn trước khi sử dụng cây lau sàn hơi nước.

- ◆ Cách sử dụng máy dễ dàng nhất là nghiêng tay cầm một góc 45° rồi từ từ tiến hành vệ sinh, vệ sinh từng khu vực nhỏ mỗi lần.
- ◆ Không sử dụng thiết bị vệ sinh có chứa hóa chất với cây lau sàn hơi nước này. Để loại bỏ những vết bẩn cứng đầu khỏi sàn nhà bằng nhựa vinyl hoặc sàn vải sơn, bạn có thể xử lý trước bằng chất tẩy nhẹ và một ít nước trước khi sử dụng cây lau sàn hơi nước.

**Vệ sinh bằng hơi nước**

- ◆ Đặt tấm nilon lau sàn (6) trên sàn với mặt 'băng gai nhám' quay lên trên.
- ◆ Nâng cây lau sàn hơi nước lên khỏi tấm lót chân đế (7) rồi nhẹ nhàng ấn lên trên tấm nilon lau sàn (6).
- ◆ Đặt cây lau sàn hơi nước trên tấm lót chân đế.
- ◆ Kết nối cây lau sàn hơi nước với nguồn điện.
- ◆ Xoay nút chỉnh chức năng Autoselect™ (2) tới cài đặt cần thiết.
- ◆ Ấn nút BẬT/TẮT (1). Cây lau sàn hơi nước nóng lên trong khoảng 15 giây.
- ◆ Kéo tay cầm (4) về phía sau sẽ kích hoạt bơm hơi nước. Sau vài giây, hơi nước sẽ bắt đầu tỏa ra từ đầu phun hơi nước.

**Lưu ý:** Khi nạp nước lần đầu tiên hoặc sau khi chạy tới khi hết nước, có thể mất tối đa 45 phút để sản sinh ra hơi nước.

- ◆ Mất vài giây để hơi nước đi vào tấm nilon lau sàn. Lúc này cây lau sàn hơi nước sẽ trượt dễ dàng trên bề mặt cần khử trùng/vệ sinh.
- ◆ Từ từ đẩy và kéo cây lau sàn hơi nước qua sàn để vệ sinh thật kỹ từng phần bằng hơi nước.

**Lưu ý:** Trong quá trình sử dụng, bạn có thể tắt bơm hơi nước bằng cách dựng thẳng tay cầm, tính năng thuận tiện này cho phép bạn đặt cây lau sàn hơi nước trên tấm lót chân đế trong một khoảng thời gian ngắn để có thể di chuyển đồ đạc, sau đó tiếp tục vệ sinh mà không cần phải tắt thiết bị.

- ◆ Sau khi sử dụng cây lau sàn hơi nước, dựng thẳng tay cầm (4) rồi "TẮT", đặt thiết bị trên tấm lót chân đế (7), sau đó chờ tới khi cây lau sàn hơi nước nguội hẳn, (khoảng năm phút)

**Thận trọng!** Cần phải theo dõi mức nước trong bình nước. Để nạp lại bình nước và tiếp tục khử trùng/vệ sinh, hãy dựng thẳng tay cầm (4) rồi "TẮT" cây lau sàn hơi nước. Rút phích cắm thiết bị ra khỏi ổ cắm điện trên tường, tháo và nạp lại bình nước (3).

**Thận trọng!** Tuyệt đối không để lâu cây lau sàn hơi nước tại một điểm trên bất kỳ bề mặt nào. Luôn đặt cây lau sàn hơi nước trên tấm lót chân đế (7) và dựng thẳng tay cầm (4) khi không hoạt động và đảm bảo tắt cây lau sàn hơi nước khi không sử dụng.

## Sau khi sử dụng (Hình H & I)

- ◆ Dụng thẳng tay cầm (4) rồi "TẮT" cây lau sàn hơi nước.
- ◆ Đặt cây lau sàn hơi nước trên tấm lót chân đế (7) rồi chờ cho tới khi nguội hẳn, (khoảng năm phút)
- ◆ Rút phích cắm cây lau sàn hơi nước ra khỏi ổ cắm điện trên tường.
- ◆ Đổ hết bình nước (3).
- ◆ Tháo tấm nilon lau sàn (6) rồi giặt để sử dụng cho lần tiếp theo. (Chú ý làm theo hướng dẫn giặt để bảo quản được in trên tấm nilon lau sàn).
- ◆ Quấn dây cáp điện quanh móc dây điện nhỏ (8 & 9).

**Lưu ý:** Móc dây điện nhỏ trên (9) xoay để dễ dàng nhả dây điện cho lần sử dụng tiếp theo.

- ◆ Kẹp dây cáp điện vào nhau bằng cách sử dụng kẹp dây điện nhỏ (17) sát vào phích cắm.
- ◆ Đặt cây lau sàn hơi nước trên tấm lót chân đế (7) để bảo quản.

**Lưu ý:** Khi dụng thẳng tay cầm (4), quấn dây điện gọn gàng vào móc dây điện nhỏ (8 và 9) rồi cố định bằng kẹp dây điện nhỏ (17), cây lau sàn hơi nước của bạn sẽ có thể tự đứng được để bảo quản. Ngoài ra, chiếc móc treo (18) được lắp vào tay cầm (19) sẽ cho phép bạn treo cây lau sàn hơi nước lên chiếc móc treo phù hợp trên tường. Đảm bảo rằng móc treo tường của bạn chịu được trọng lượng của cây lau sàn hơi nước.

## Bảo trì và vệ sinh

Thiết bị có dây của Black & Decker được thiết kế để vận hành trong thời gian dài và ít phải bảo trì nhất. Dụng cụ vận hành liên tục theo ý muốn tùy thuộc vào việc bảo quản dụng cụ đúng cách và vệ sinh thường xuyên.

**Cảnh báo!** Trước khi tiến hành bảo trì hay vệ sinh trên thiết bị có dây, hãy tắt và rút phích cắm dụng cụ ra khỏi ổ cắm.

- ◆ Lau thiết bị bằng khăn ẩm mềm.
- ◆ Đối với những vết bẩn cứng đầu, bạn có thể sử dụng dung dịch xà phòng nhẹ và nước để làm ẩm khăn của mình.

## Bảo quản tấm nilon lau sàn

Hướng dẫn giặt để bảo quản - Không chất làm mềm vải - Để khô hoàn toàn trước khi sử dụng lại.

**Thận trọng!** Làm theo các hướng dẫn vệ sinh in trên nhãn của tấm nilon lau sàn.

## Bảo vệ môi trường



Thu gom riêng. Không được vứt bỏ sản phẩm này với rác thải sinh hoạt thông thường.

Nếu bạn cần thay thế sản phẩm Black & Decker của mình hoặc bạn không sử dụng nó trong tương lai nữa, đừng vứt bỏ cùng với rác thải gia đình. Sản phẩm phải được thu gom riêng.



Thu gom riêng sản phẩm và bao bì đóng gói đã qua sử dụng sẽ cho phép tái chế và tái sử dụng vật liệu. Tái sử dụng vật liệu tái chế giúp ngăn chặn ô nhiễm môi trường và giảm nhu cầu vật liệu thô.

Luật lệ địa phương có thể quy định việc thu gom riêng các sản phẩm điện gia dụng, tại các bãi rác thải đô thị hoặc bởi những người bán lẻ khi bạn mua sản phẩm mới.

## Thông tin dịch vụ

Black & Decker có sẵn một mạng lưới các trung tâm trực thuộc và ủy quyền trên toàn Châu Á. Tất cả các trung tâm dịch vụ của Black & Decker đều có đội ngũ nhân viên lành nghề để cung cấp tới khách hàng dịch vụ hiệu quả và đáng tin cậy.

Khi bạn cần tư vấn kỹ thuật, sửa chữa hoặc phụ tùng thay thế chính hãng, vui lòng liên hệ với cơ sở Black & Decker gần nhất.

## Lưu ý

- ◆ Chính sách của Black & Decker là không ngừng cải tiến sản phẩm và do đó, chúng tôi có quyền thay đổi thông số kỹ thuật sản phẩm mà không cần báo trước.
- ◆ Các thiết bị và phụ kiện chuẩn có thể khác nhau tùy theo từng quốc gia.
- ◆ Thông số kỹ thuật của sản phẩm có thể khác nhau tùy theo từng quốc gia.
- ◆ Danh mục sản phẩm hoàn chỉnh có thể không có tại tất cả các quốc gia.
- ◆ Liên hệ với các đại lý của Black & Decker tại quốc gia bạn để được cung cấp danh mục sản phẩm.

