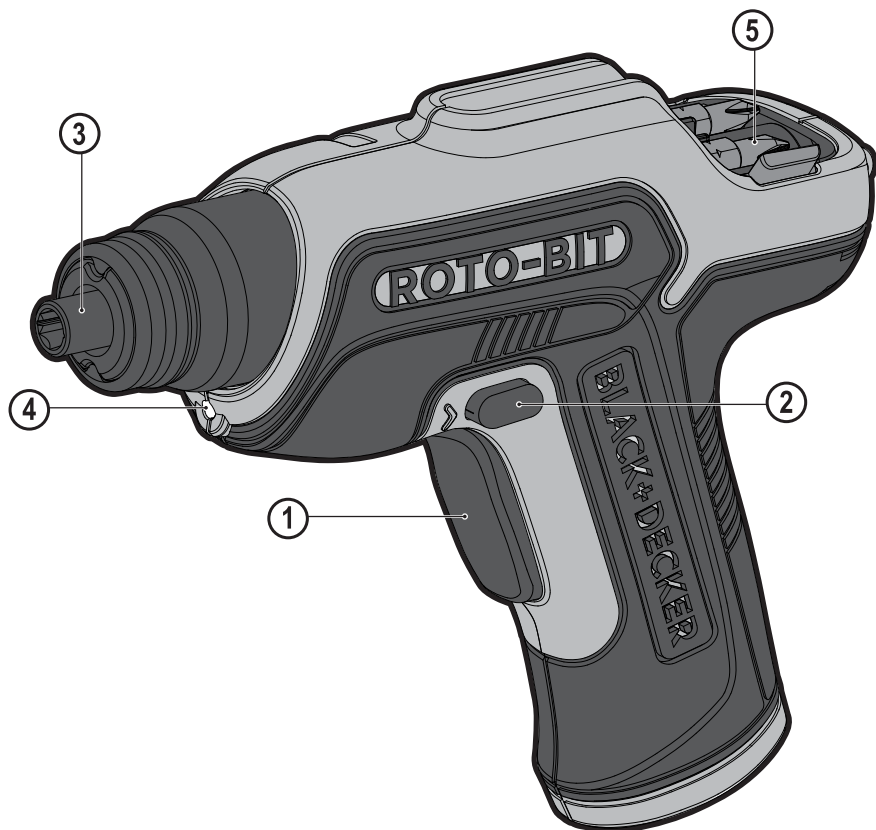


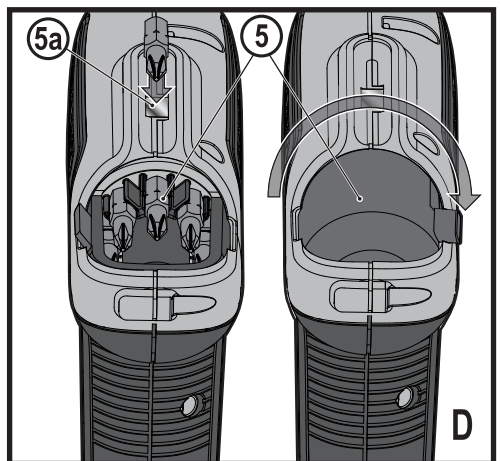
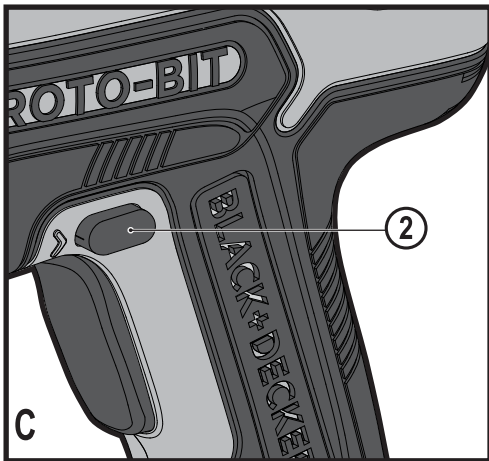
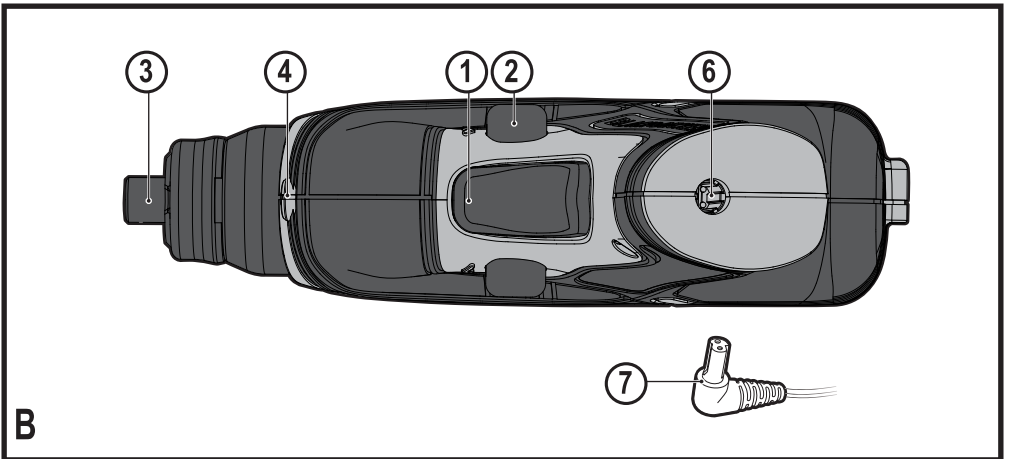
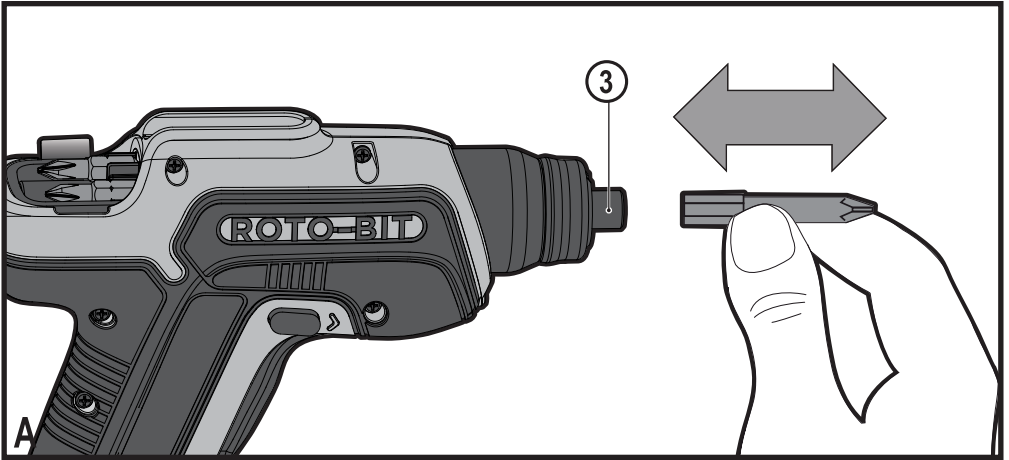
BLACK+ DECKER™



CS36BS

English
简体中文

3
8



Intended use

Your BLACK+DECKER™ CS36BS screwdriver has been designed for screwdriving applications. This tool is intended for consumer use only.

Safety instructions

General power tool safety warnings



Warning! Read all safety warnings and all instructions. Failure to follow the warnings and instructions listed below may result in electric shock, fire and/or serious injury.

Save all warnings and instructions for future reference.

The term "power tool" in all of the warnings listed below refers to your mains operated (corded) power tool or battery operated (cordless) power tool.

1. **Work area safety**
 - a. **Keep work area clean and well lit.** Cluttered or dark areas invite accidents.
 - b. **Do not operate power tools in explosive atmospheres, such as in the presence of flammable liquids, gases or dust.** Power tools create sparks which may ignite the dust or fumes.
 - c. **Keep children and bystanders away while operating a power tool.** Distractions can cause you to lose control.
2. **Electrical safety**
 - a. **Power tool plugs must match the outlet. Never modify the plug in any way. Do not use any adapter plugs with earthed (grounded) power tools.** Unmodified plugs and matching outlets will reduce risk of electric shock.
 - b. **Avoid body contact with earthed or grounded surfaces such as pipes, radiators, ranges and refrigerators.** There is an increased risk of electric shock if your body is earthed or grounded.
 - c. **Do not expose power tools to rain or wet conditions.** Water entering a power tool will increase the risk of electric shock.
 - d. **Do not abuse the cord. Never use the cord for carrying, pulling or unplugging the power tool. Keep cord away from heat, oil, sharp edges or moving parts.** Damaged or entangled cords increase the risk of electric shock.
 - e. **When operating a power tool outdoors, use an extension cord suitable for outdoor use.** Use of a cord suitable for outdoor use reduces the risk of electric shock.
 - f. **If operating a power tool in a damp location is unavoidable, use a residual current device (RCD) protected supply.** Use of an RCD reduces the risk of electric shock.
3. **Personal safety**
 - a. **Stay alert, watch what you are doing and use common sense when operating a power tool. Do not use a power tool while you are tired or under the influence of drugs, alcohol or medication.** A moment of inattention while operating power tools may result in serious personal injury.
 - b. **Use personal protective equipment. Always wear eye protection.** Protective equipment such as dust mask, non-skid safety shoes, hard hat, or hearing protection used for appropriate conditions will reduce personal injuries.
 - c. **Prevent unintentional starting. Ensure the switch is in the off-position before connecting to power source and/or battery pack, picking up or carrying the tool.** Carrying power tools with your finger on the switch or energising power tools that have the switch on invites accidents.
 - d. **Remove any adjusting key or wrench before turning the power tool on.** A wrench or a key left attached to a rotating part of the power tool may result in personal injury.
 - e. **Do not overreach. Keep proper footing and balance at all times.** This enables better control of the power tool in unexpected situations.
 - f. **Dress properly. Do not wear loose clothing or jewellery. Keep your hair, clothing and gloves away from moving parts.** Loose clothes, jewellery or long hair can be caught in moving parts.
 - g. **If devices are provided for the connection of dust extraction and collection facilities, ensure these are connected and properly used.** Use of dust collection can reduce dust-related hazards.
4. **Power tool use and care**
 - a. **Do not force the power tool. Use the correct power tool for your application.** The correct power tool will do the job better and safer at the rate for which it was designed.
 - b. **Do not use the power tool if the switch does not turn it on and off.** Any power tool that cannot be controlled with the switch is dangerous and must be repaired.
 - c. **Disconnect the plug from the power source and/or the battery pack from the power tool before making any adjustments, changing accessories, or storing power tools.** Such preventive safety measures reduce the risk of starting the power tool accidentally.
 - d. **Store idle power tools out of the reach of children and do not allow persons unfamiliar with the power tool or these instructions to operate the power tool.** Power tools are dangerous in the hands of untrained users.
 - e. **Maintain power tools. Check for misalignment or binding of moving parts, breakage of parts and any other condition that may affect the power tools operation.**

If damaged, have the power tool repaired before use.

Many accidents are caused by poorly maintained power tools.

- f. **Keep cutting tools sharp and clean.** Properly maintained cutting tools with sharp cutting edges are less likely to bind and are easier to control.
 - g. **Use the power tool, accessories and tool bits etc. in accordance with these instructions, taking into account the working conditions and the work to be performed.** Use of the power tool for operations different from those intended could result in a hazardous situation.
- 5. Battery tool use and care**
- a. **Recharge only with the charger specified by the manufacturer.** A charger that is suitable for one type of battery pack may create a risk of fire when used with another battery pack.
 - b. **Use power tools only with specifically designated battery packs.** Use of any other battery packs may create a risk of injury and fire.
 - c. **When battery pack is not in use, keep it away from other metal objects, like paper clips, coins, keys, nails, screws, or other small metal objects, that can make a connection from one terminal to another.** Shorting the battery terminals together may cause burns or a fire.
 - d. **Under abusive conditions, liquid may be ejected from the battery; avoid contact. If contact accidentally occurs, flush with water. If liquid contacts eyes, additionally seek medical help.** Liquid ejected from the battery may cause irritation or burns.
- 6. Service**
- a. **Have your power tool serviced by a qualified repair person using only identical replacement parts.** This will ensure that the safety of the power tool is maintained.

Additional power tool safety warnings



Warning! Additional safety warnings for screwdrivers and impact wrenches

- ◆ **Hold power tool by insulated gripping surfaces, when performing an operation where the fastener may contact hidden wiring.** Fasteners contacting a "live" wire may make exposed metal parts of the power tool "live" and could give the operator an electric shock.
- ◆ **Use clamps or another practical way to secure and support the workpiece to a stable platform.** Holding the work by hand or against your body leaves it unstable and may lead to loss of control.
- ◆ The intended use is described in this instruction manual.

The use of any accessory or attachment or performance of any operation with this tool other than those recommended in this instruction manual may present a risk of personal injury and/or damage to property.

Safety of others

- ◆ This appliance can be used by children aged from 8 years and above and persons with reduced physical, sensory or mental capabilities or lack of experience and knowledge if they have been given supervision or instruction concerning use of the appliance in a safe way and understand the hazards involved.
- ◆ Children shall not play with the appliance. Cleaning and user maintenance shall not be made by children without supervision.

Residual risks

Additional residual risks may arise when using the tool which may not be included in the enclosed safety warnings. These risks can arise from misuse, prolonged use etc.

Even with the application of the relevant safety regulations and the implementation of safety devices, certain residual risks can not be avoided. These include:

- ◆ Injuries caused by touching any rotating/moving parts.
- ◆ Injuries caused when changing any parts, blades or accessories.
- ◆ Injuries caused by prolonged use of a tool. When using any tool for prolonged periods ensure you take regular breaks.
- ◆ Impairment of hearing.
- ◆ Health hazards caused by breathing dust developed when using your tool (example:- working with wood, especially oak, beech and MDF.)

Labels on tool

The following symbols are shown on the tool along with the date code:



Warning! To reduce the risk of injury, the user must read the instruction manual.

Additional safety instructions for batteries and chargers

Batteries

- ◆ Never attempt to open for any reason.
- ◆ Do not expose the battery to water.
- ◆ Do not store in locations where the temperature may exceed 40 °C.
- ◆ Charge only at ambient temperatures between 10 °C and 40 °C.
- ◆ Charge only using the charger provided with the appliance/tool.

- ◆ When disposing of batteries, follow the instructions given in the section "Protecting the environment".
- ◆ Do not damage/deform the battery pack either by puncture or impact, as this may create a risk of injury and fire.
- ◆ Do not charge damaged batteries.
- ◆ Under extreme conditions, battery leakage may occur. When you notice liquid on the batteries carefully wipe the liquid off using a cloth. Avoid skin contact.
- ◆ In case of skin or eye contact, follow the instructions below.

Warning! The battery fluid may cause personal injury or damage to property. In case of skin contact, immediately rinse with water. If redness, pain or irritation occurs seek medical attention. In case of eye contact, rinse immediately with clean water and seek medical attention.

Chargers

Your charger has been designed for a specific voltage. Always check that the mains voltage corresponds to the voltage on the rating plate.

Warning! Never attempt to replace the charger unit with a regular mains plug.

- ◆ Use your BLACK+DECKER charger only to charge the battery in the tool with which it was supplied. Other batteries could burst, causing personal injury and damage.
- ◆ Never attempt to charge non-rechargeable batteries.
- ◆ If the supply cord is damaged, it must be replaced by the manufacturer or an authorised BLACK+DECKER Service Centre in order to avoid a hazard.
- ◆ Have defective cords replaced immediately.
- ◆ Do not expose the charger to water.
- ◆ Do not open the charger.
- ◆ Do not probe the charger.
- ◆ The appliance/tool/battery must be placed in a well ventilated area when charging.



The charger is intended for indoor use only.



Read the instruction manual before use.

Electrical safety



Your charger is double insulated; therefore no earth wire is required. Always check that the mains voltage corresponds to the voltage on the rating plate. Never attempt to replace the charger unit with a regular mains plug.

- ◆ If the supply cord is damaged, it must be replaced by the manufacturer or an authorised BLACK+DECKER Service Centre in order to avoid a hazard.
- ◆ **Warning!** Never attempt to replace the charger unit with a regular mains plug.

Features

This tool includes some or all of the following features.

1. On/off trigger
 2. Forward/reverse slider
 3. Bit holder 6.35mm (1/4") Hex Shank
 4. LED light
 5. Bit storage
- 5a. Magnetic bit/screw holder

Assembly

Fitting and removing a drill bit or a screwdriver bit (fig. A)

This tool uses screwdriver bits and drill bits with a 6.35 mm (1/4") hexagonal shank. The tool can store 8 of these bits in the bit storage compartment (5) or individually in the magnetic bit/screw holder (5a) as shown in figure D.

- ◆ To fit a bit, insert the bit shaft into the bit holder (3).
- ◆ To remove a bit, pull the bit shaft out of the bit holder (3).

Use

Warning! Let the tool work at its own pace. Do not overload.

- ◆ Before first use, the battery must be charged for at least 10 hours.

Charging the battery (fig. B)

- ◆ Insert the charger plug (7) into the charger connector (6).
- ◆ Plug in the charger (7).
- ◆ Leave the tool connected to the charger for 10 hours.

The charger may hum and become warm while charging; this is normal and does not indicate a problem.

Warning! Do not charge the battery at ambient temperatures below 10 °C or above 40 °C.

Selecting the direction of rotation (fig. C)

For tightening screws, use forward rotation.

For loosening screws or removing a jammed drill bit, use reverse rotation.

- ◆ To select forward rotation, push the forward/reverse slider (2) to the forward position.
- ◆ To select reverse rotation, push the forward/reverse slider (2) to the rearward position.
- ◆ To lock the tool, set the forward/reverse slider into the centre position.

Screwdriving

- ◆ Select forward or reverse rotation using the forward/reverse slider (2).
- ◆ To switch the tool on, press the on/off switch (1).
- ◆ To switch the tool off, release the on/off switch (1).

LED light

The LED light (4) is activated automatically when the trigger is depressed. The LED will also illuminate when the trigger is depressed and the forward/reverse slider (2) is in the locked off position (central position).

Hints for optimum use

Screwdriving

- ◆ Always use the correct type and size of screwdriver bit.
- ◆ If screws are difficult to tighten, try applying a small amount of washing liquid or soap as a lubricant.
- ◆ Use the spindle lock to loosen very tight screws or to firmly tighten screws.
- ◆ Always hold the tool and screwdriver bit in a straight line with the screw.
- ◆ When screwing in wood, it is recommended to drill a pilot hole with a depth equal to the length of the screw. A pilot hole guides the screw and prevents splintering or distortion of the wood. For the optimum size of the pilot hole, refer to the table below.
- ◆ When screwing in hardwood, also drill a clearance hole with a depth equal to half the length of the screw. For the optimum size of the clearance hole, refer to the table below.

Screw size	Pilot hole ø (softwood)	Pilot hole ø (hardwood)	Clearance hole
No. 6 (3.5 mm)	2.0 mm	2.5 mm	3.6 mm
No. 8 (4 mm)	2.5 mm	3.0 mm	4.5 mm
No.10 (5 mm)	3.0 mm	3.5 mm	5.0 mm

Accessories

The performance of your tool depends on the accessory used. BLACK+DECKER and Piranha accessories are engineered to high quality standards and designed to enhance the performance of your tool. By using these accessories you will get the very best from your tool.

This tool uses screwdriver bits with a 6.35 mm (1/4") hexagonal shank. Piranha Super-lok accessories are designed for use with this tool.

Maintenance

Your BLACK+DECKER corded/cordless appliance/tool has been designed to operate over a long period of time with a minimum of maintenance. Continuous satisfactory operation depends upon proper tool care and regular cleaning. Your charger does not require any maintenance apart from regular cleaning.

Warning! Before performing any maintenance on the tool, switch off and unplug the tool or remove the battery from the tool if the tool has separate battery. If the battery is integral, run the battery completely down. Unplug the charger before cleaning it.

- ◆ Regularly clean the ventilation slots in your tool and charger using a soft brush or dry cloth.
- ◆ Regularly clean the motor housing using a damp cloth. Do not use any abrasive or solvent-based cleaner
- ◆ Regularly open the chuck and tap it to remove any dust from the interior (when frtled).

Technical data

		CS36BS
Voltage	V _{DC}	3.6
No-load speed	Min ⁻¹	180
Max. torque	Nm	5.5
Bit holder	mm	6.35 (1/4")
Weight	kg	0.42

Battery

Voltage	V	3.6
Battery type		Li-Ion
Capacity	Ah	1.5

Charger

Input voltage	V _{AC}	100-240
Output voltage	V _{DC}	15
Output current	mA	150
Approx. charging time	h	10
Weight	kg	0.05

Protecting the environment



Separate collection. This product must not be disposed of with normal household waste.

needs replacement, or if it is of no further use to you, do not dispose of it with household waste. Make this product available for separate collection.



Separate collection of used products and packaging allows materials to be recycled and used again. Re-use of recycled materials helps prevent environmental pollution and reduces the demand for raw materials.

Service Information

BLACK+DECKER offers a full network of company-owned and authorized service locations throughout Asia. All BLACK+DECKER Service Centers are staffed with trained personnel to provide customers with efficient and reliable product service. Whether you need technical advice, repair, or genuine factory replacement parts, contact the BLACK+DECKER location nearest to you.

NOTE

- ◆ BLACK+DECKER's policy is one of continuous improvement to our products and, as such, we reserve the right to change product specifications without prior notice.
- ◆ Standard equipment and accessories may vary by country.
- ◆ Product specifications may differ by country.
- ◆ Complete product range may not be available in all countries.

Contact your local BLACK+DECKER dealers for range availability.

Batteries



There are no user serviceable parts inside.

- ◆ At the end of your products life return the whole unit to your service agent or to a local recycling station to have the battery recycled. Do not throw the unit out with household waste.

设计用途

您的 BLACK+DECKER™ CS36BS 螺丝起子设计用于螺丝安装。

本工具仅供消费者使用。

安全说明

电动工具通用安全警告



警告！ 阅读随电动工具提供的所有安全警告、说明、图示和规定。不遵照以下所列说明会导致电击、着火和 / 或严重伤害。

保存所有警告和说明书以备查阅。

警告中的术语“电动工具”指市电驱动（有线）电动工具或电池驱动（无线）电动工具。

a) 工作场地的安全

- 1) 保持工作场地清洁和明亮。杂乱和黑暗的场地会引发事故。
- 2) 不要在易爆环境，如有易燃液体、气体或粉尘的环境下操作电动工具。电动工具产生的火花会点燃粉尘或气体。
- 3) 操作电动工具时，远离儿童和旁观者。注意力不集中会使操作者失去对工具的控制。

b) 电气安全

- 1) 电动工具插头必须与插座相配。绝不能以任何方式改装插头。需接地的电动工具不能使用任何转换插头。未经改装的插头和相配的插座将降低电击风险。
- 2) 避免人体接触接地表面，如管道、散热片和冰箱。如果你身体接地会增加电击风险。
- 3) 不得将电动工具暴露在雨中或潮湿环境中。水进入电动工具将增加电击风险。
- 4) 不得滥用电线。绝不能用软线搬运、拉动电动工具或拔出其插头。使软线远离热源、油、锐边或运动部件。受损或缠绕的软线会增加电击风险。
- 5) 当在户外使用电动工具时，使用适合户外使用的延长线。适合户外使用的电线将降低电击风险。
- 6) 如果无法避免在潮湿环境下操作电动工具，应使用带有剩余电流装置（RCD）保护的电源。RCD的使用可降低电击风险。

c) 人身安全

- 1) 保持警觉，当操作电动工具时关注所从事的操作并保持清醒。当你感到疲倦，或在有药物、酒精或治疗反应时，不要操作电动工具。在操作电动工具时瞬间的疏忽会导致严重人身伤害。
- 2) 使用个人防护装置。始终佩戴护目镜。防护装置，诸如适当条件下使用防尘面具、防滑安全鞋、安全帽、听力防护等装置能减少人身伤害。

- 3) 防止意外起动。在连接电源和/或电池盒、拿起或搬运工具前确保开关处于关闭位置。手指放在开关上搬运工具或开关处于接通时通电会导致危险。
- 4) 在电动工具接通之前，拿掉所有调节钥匙或扳手。遗留在电动工具旋转零件上的扳手或钥匙会导致人身伤害。
- 5) 手不要过分伸展。时刻注意立足点和身体平衡。这样能在意外情况下能更好地控制住电动工具。
- 6) 着装适当。不要穿宽松衣服或佩戴饰品。让你的头发和衣服远离运动部件。宽松衣服、佩饰或长发可能会卷入运动部件。
- 7) 如果提供了与排屑、集尘设备连接用的装置，要确保其连接完好且使用得当。使用集尘装置可降低尘屑引起的危险。
- 8) 不要因为频繁使用工具而产生的熟悉感而掉以轻心，忽视工具的安全准则。某个粗心的动作可能在瞬间导致严重的伤害。

d) 电动工具使用和注意事项

- 1) 不要勉强使用电动工具，根据用途使用合适的电动工具。选用合适的按照额定值设计的电动工具会使你工作更有效、更安全。
- 2) 如果开关不能接通或关断电源，则不能使用该电动工具。不能通过开关来控制的电动工具是危险的且必须进行修理。
- 3) 在进行任何调节、更换附件或贮存电动工具之前，必须从电源上拔掉插头和 / 或卸下电池包（如可拆卸）。这种防护性的安全措施降低了电动工具意外起动的风险。
- 4) 将闲置不用的电动工具贮存在儿童所及范围之外，并且不允许不熟悉电动工具和不了解这些说明的人操作电动工具。电动工具在未经培训的使用者手中是危险的。
- 5) 维护电动工具及其附件。检查运动部件是否调整到位或卡住，检查零件破损情况和影响电动工具运行的其他状况。如有损坏，应在使用前修理好电动工具。许多事故是由维护不良的电动工具引发的。
- 6) 保持切削刀具锋利和清洁。维护良好地有锋利切削刃的刀具不易卡住而且容易控制。
- 7) 按照使用说明书，并考虑作业条件和要进行的作业来选择电动工具、附件和工具的刀头等。将电动工具用于那些与其用途不符的操作可能会导致危险情况。
- 8) 保持手柄和握持表面干燥、清洁，不得沾有油脂。在意外的情况下，湿滑的手柄不能保证握持的安全和对工具的控制。

e) 电池式工具使用和注意事项：

- 1) 仅使用生产者规定的充电器充电。将适用于某种电池包的充电器用到其他电池包时可能会发生着火危险。

- 2) 仅使用配有专用电池包的电动工具。使用其他电池包可能会产生伤害和着火危险。
 - 3) 当电池包不用时，将它远离其他金属物体，例如回形针、硬币、钥匙、钉子、螺钉或其他小金属物体，以防电池包一端与另一端连接。电池组端部短路会引起燃烧或着火。
 - 4) 在滥用条件下，液体可能会从电池组中溅出，应避免接触。如果意外碰到液体，用水冲洗。如果液体碰到了眼睛，还要寻求医疗帮助。从电池中溅出的液体可能会发生腐蚀或燃烧。
 - 5) 不要使用损坏或改装过的电池包或工具。损坏或改装过的电池组可能呈现无法预测的结果，导致着火、爆炸或伤害。
 - 6) 不要将电池包暴露于火或者高温中。电池包暴露于火或高于 130 °C 的高温中可能导致爆炸。
- f) 维修
- 1) 让专业维修人员使用相同的备件维修电动工具。这将保证所维修的电动工具的安全。
 - 2) 决不能维修损坏的电池包。电池包仅能由生产者或其授权的维修服务商进行维修。

附加电动工具安全警告



警告！ 螺丝起子和冲击扳手的附加安全警告

- ◆ 操作过程中紧固件可能接触隐藏的电线时，请握住工具的绝缘表面。紧固件如果接触到“带电”导线，电动工具金属部件表面就会“带电”并使操作人员触电。
- ◆ 请使用夹具或采取其它可行的方法，把工件可靠地固定在稳定的平台上。手持或用身体顶住工件都是不稳定的，会导致操作失控。
- ◆ 本使用手册描述了工具的设计用途。使用非本使用手册所建议的任何其他附件或配件，或者使用本工具执行非手册建议的任何其他操作，都可能存在人身伤害和/或财产损失的危险。

他人安全

- ◆ 在有他人监督的情况下，或在接受过安全使用该产品的指导并已了解了可能存在的危险的情况下，8岁或以上的小孩，以及身体、感官或精神较差的人员，或者对该类产品缺少使用经验和认识的人员，也可以使用本产品。
- ◆ 儿童不得耍玩本设备。在没有他人监督的情况下，禁止儿童使用本设备或对其进行维护保养。

其他风险

使用工具时，可能出现本安全警示之外的其他剩余风险。这些风险可能来自使用不当、使用时间过长等。

尽管遵守了相关的安全法规并采用了安全装备，某些其他风险仍然是无法避免的。这些风险包括：

- ◆ 接触旋转/运动部件时所导致的伤害风险。
- ◆ 更换部件、锯片或配件时所导致的伤害风险。
- ◆ 长期使用工具所导致的伤害风险。长期使用任何工具时，均应定期休息。
- ◆ 听力损伤。
- ◆ 吸入工具使用过程中产生的粉尘导致的健康危害（例如，锯切木材，特别是橡木、山毛榉和中密度纤维板时）。

工具上的标签

工具上显示下列符号和日期码：



警告！ 为降低伤害风险，用户必须阅读使用手册。

电池和充电器的附加安全说明

电池

- ◆ 不论基于任何理由，都不要尝试打开电池。
- ◆ 请勿将电池暴露在水中。
- ◆ 请勿将电池置于高热环境中。
- ◆ 不要将电池存放在温度可能超过 40 °C 的地方。
- ◆ 只在环境温度介于 10 °C 和 40 °C 之间的情况下充电。
- ◆ 请只使用设备工具随附的充电器进行充电。
- ◆ 处理电池时，请遵循“保护环境”部分所提供的说明进行。
- ◆ 请勿通过刺破或摔打方式损坏电池组或改变其形状，因为这可能会造成人身伤害或火灾危险。
- ◆ 请勿对损坏的电池充电。
- ◆ 在极端条件下，电池可能会发生泄漏。如果您发现电池上有液体，请用布仔细拭去液体。避免皮肤接触。
- ◆ 如果与皮肤或眼睛接触，请按照下面的说明操作。

警告！ 电池液可能会导致人身伤害或财产损失。如果与皮肤接触，请立即用清水冲洗。如果出现红肿、疼痛或刺激，请就医。如果与眼睛接触，请立即用清水冲洗并就医。

充电器

您的充电器专门设计用于特定电压。请务必检查电源电压是否与铭牌上的电压一致。

警告！ 切勿尝试使用一般的电源插头替换充电器。

- ◆ 只能使用工具随附的 BLACK+DECKER 充电器为工具内的电池充电。其他非原厂电池可能会爆裂，导致人身伤害和损害。
- ◆ 切勿尝试为不可再充电的电池充电。

- ◆ 如果电源线损坏，必须让制造商或授权的 BLACK+DECKER 服务中心更换以避免发生危险。
- ◆ 应立即更换有缺陷的电线。
- ◆ 请勿将充电器暴露在水中。
- ◆ 请勿打开充电器。
- ◆ 请勿刺破充电器。
- ◆ 充电时，设备/工具/电池必须放在通风良好的地方。



充电器仅供室内使用。



使用前请阅读使用手册。

电气安全



本充电器为双重绝缘，因此无需接地线。请务必检查电源电压是否与铭牌上的电压一致。尝试使用一般的电源插头替换充电器。

- ◆ 如果电源线损坏，必须让制造商或授权的 BLACK+DECKER 服务中心更换以避免发生危险。
- ◆ **警告！** 切勿尝试使用一般的电源插头替换充电器。

部件名称

本工具包含如下部分或全部部件。

1. 触发器开关
2. 正/反转滑块
3. 钻头夹持器 6.35 毫米 (1/4 英寸) 六角形杆
4. LED 指示灯
5. 钻头储存装置
- 5a. 磁性钻头/螺丝固定器

组装

安装及卸下钻头或螺丝起子头 (图 A)

本工具使用螺丝起子头和带有 6.35 毫米 (1/4 英寸) 六角形杆的钻头。如图 D 所示，该工具可以将 8 个这种钻头存储在钻头存储仓 (5) 中或单独放入磁性钻头/螺丝固定器 (5a) 中。

- ◆ 如果要安装钻头，请将钻头轴插入钻头夹持器 (3)。
- ◆ 如果要取出钻头，请从钻头夹持器 (3) 中拔出钻头轴。

使用

警告！ 请让工具在自有速度下工作。请勿过载。

- ◆ 首次使用之前，必须让电池至少充电 10 个小时。

为电池充电 (图 B)

- ◆ 将充电插头 (7) 插入连接器 (6)。
- ◆ 插入充电器 (7)。
- ◆ 让工具插在充电器 10 个小时。

电池在充电时可能会发出声音和变热；这是正常现象，而且并不表示出现问题。

警告！ 请勿在环境温度低于 10 °C 或高于 40 °C 的情况下为电池充电。

选择旋转方向 (图 C)

如果要转紧螺钉，使用向前旋转。

如果要转松螺丝或取出卡住的钻头，使用向后旋转。

- ◆ 如果要选择向前旋转，将正/反转滑块 (2) 拨到正转位置。
- ◆ 如果要选择向后旋转，将正/反转滑块 (2) 拨到反转位置。
- ◆ 如果要锁定工具，将正/反转滑块拨到中间位置。

螺丝安装

- ◆ 使用正/反转滑块，选择向前或后旋转 (2)。
- ◆ 要打开工具电源，请按下开关 (1)。
- ◆ 要关闭工具电源，请松开开关 (1)。

LED 指示灯

LED 工作指示灯 (4) 会在按下触发器时自动启动。当触发器被按下且正/反转滑块 (2) 处于锁定关闭位置 (中央位置) 时，LED 指示灯也会亮起。

最佳使用提示

螺丝安装

- ◆ 始终使用正确类型和尺寸的螺丝起子头。
- ◆ 如果螺钉难以转紧，请尝试用小量洗涤液或肥皂水作为润滑剂。
- ◆ 使用主轴锁来松开非常紧的螺丝或牢牢转紧螺丝。
- ◆ 工具必须始终与螺丝起子头和螺钉成一直线。
- ◆ 如果要在木材上拧螺丝，建议先钻一个深度相等于是于螺丝长度的导向孔。导向孔可以引导螺丝，并防止木材开裂或变形。最佳导向孔尺寸，请参考下表。
- ◆ 如果要在硬木上拧螺丝，建议先钻一个深度相等于是于螺丝一半长度的定位孔。最佳定位孔尺寸，请参考下表。

螺丝尺寸	导向孔 \varnothing (软木)	导向孔 \varnothing (硬木)	定位孔
6 号 (3.5 毫米)	2.0 毫米	2.5 毫米	3.6 毫米
8 号 (4 毫米)	2.5 毫米	3.0 毫米	4.5 毫米
10 号 (5 毫米)	3.0 毫米	3.5 毫米	5.0 毫米

附件

电动工具的性能取决于所使用的附件。BLACK+DECKER 和 Piranha 附件依据高质量标准进行制造，专为提高本工具的性能而设计。使用这些配件会使您的工具如虎添翼。

维护

BLACK+DECKER 有线/无线设备/工具设计精良，可以长期使用仅需极少维护。要连续获得令人满意的工作效果，需要进行合适的工具维护和定期清洁。除了定期清洁外，本充电器无需其他保养。

警告！在对工具进行任何维护之前，如工具内有可拆卸电池，请先关闭并拔下工具或从工具中取出电池。如果工具使用的是集成电池，则请先将电池内的电量完全放空。清洁之前，先拔下充电器插头。

- ◆ 请使用软刷或干布定期清洁工具和充电器内的通风槽。
- ◆ 定期使用湿布清洁电动机外壳。请不要使用任何研磨性或基于溶剂的清洁剂。
- ◆ 定期打开并轻拍夹头以清除内部粉尘（安装时）。

技术参数

		CS36BS
电压	伏特 _{直流}	3.6
空载转速	转/分	180
最大扭矩	牛米	5.5
钻头夹持器	毫米	6.35 (1/4")
重量	千克	0.42

电池

电压	伏特	3.6
电池类型		锂离子
电池容量	安时	1.5

充电器

输入电压	伏特 _{交流}	100-240
输出电压	伏特 _{直流}	15
输出电流	毫安	150
大约充电时间	小时	10
重量	千克	0.05

保护环境



分类回收。本产品不得与普通家庭垃圾一起处理。

若您发现您的产品需要进行替换，或您已经不再需要使用这些产品，请不要将它们与家庭废物一起处置。请将它们单独分类回收。



分类回收使用过的产品和包装能够让材料得以再循环和再利用。再生材料的再利用有助于防止环境污染，并降低对原材料的需求。

服务信息

BLACK+DECKER 提供覆盖整个亚洲的公司隶属和授权服务地点。所有的 BLACK+DECKER 服务中心都具有训练有素的人员，为客户提供高效和可靠的产品服务。不论您是需要技术建议、维修或原厂替换部件，请联系最靠近您的 BLACK+DECKER 地点。

备注

- ◆ BLACK+DECKER 的政策是持续改进我们的产品，因此，我们保留随时更改产品规格的权利，恕不另行通知。
- ◆ 标准设备和附件可能会因国家（地区）而异。
- ◆ 不同国家（地区）的产品规格也可能会有所不同。
- ◆ 并非所有的国家（地区）都可提供完整的产品系列。

有关各产品系列的供货情况，请联系您当地的 BLACK+DECKER 代理商。

电池



这些组件内没有可供用户维修的零件。

- ◆ 产品生命周期结束后，请将整个装置送到您的服务代理处或当地的回收站，以便回收电池。切勿将本设备与生活垃圾混合弃置。

制造商：史丹利百得精密制造（深圳）有限公司

地址：广东省深圳市宝安区石岩街道水田社区捷和工业城

产地：中国深圳

