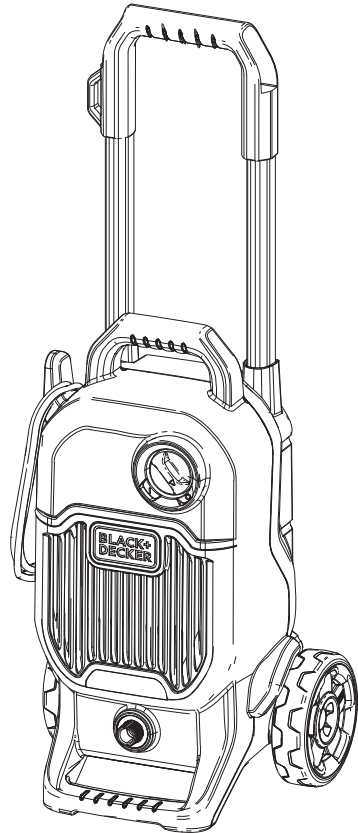


BEPW1600LTH
BEPW1750TH



BEPW1800TTH

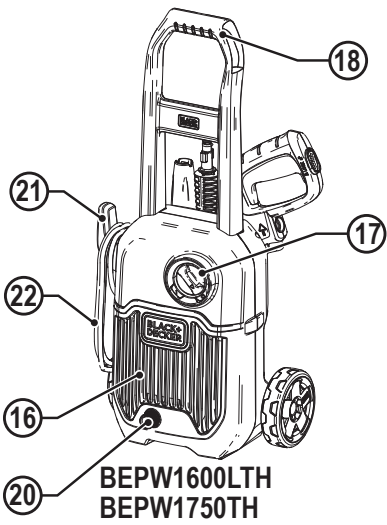
www.blackanddecker.com

 CAUTION Read the instructions before using the machine.

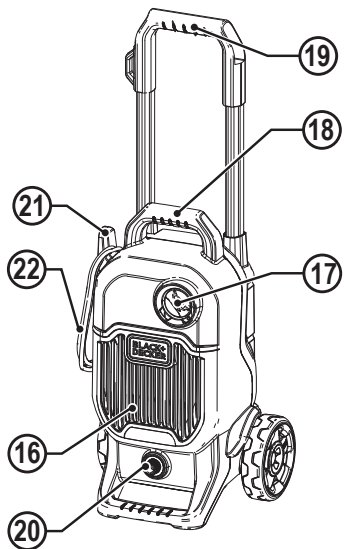
 ข้อควรระวัง อ่านคำแนะนำต่างๆ ก่อนที่จะใช้งานอุปกรณ์

English
ภาษาไทย

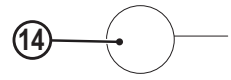
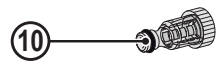
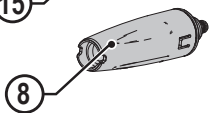
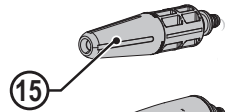
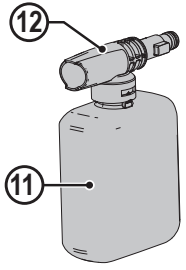
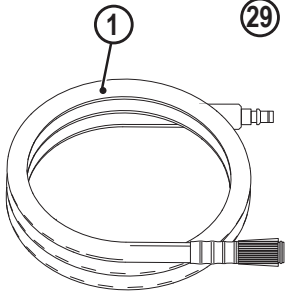
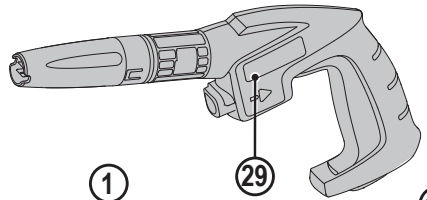
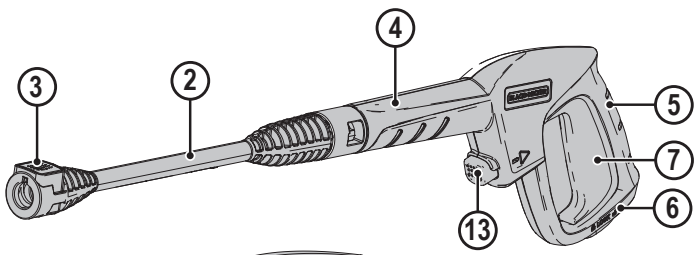
7
16



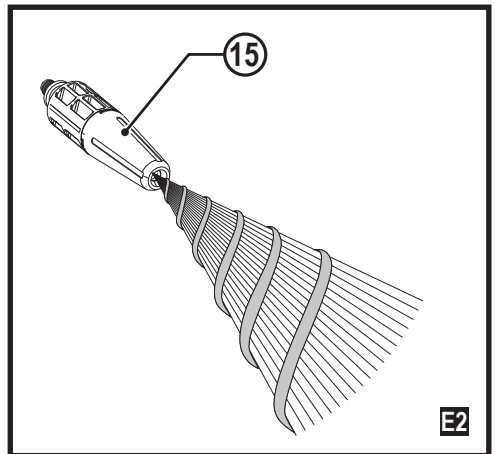
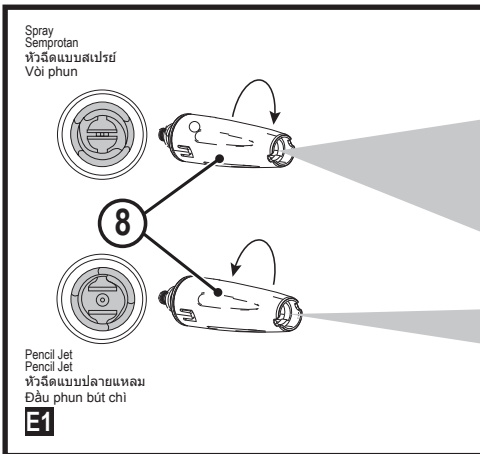
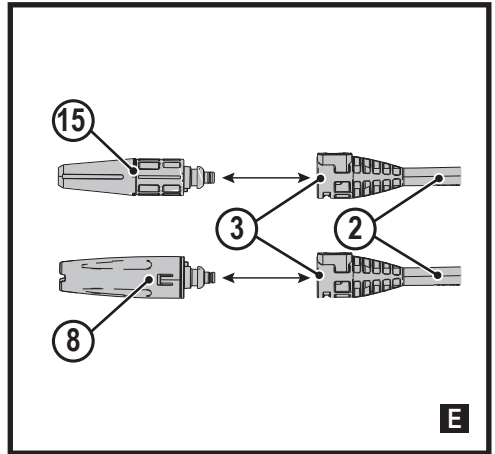
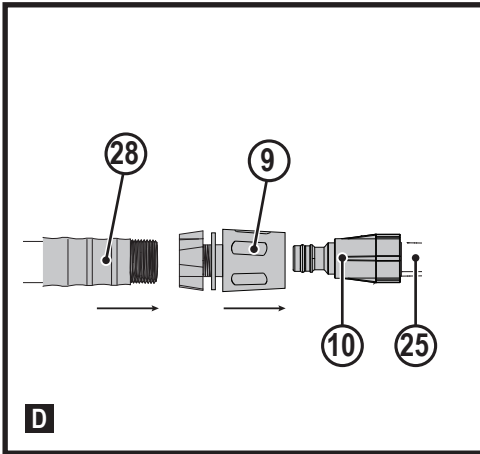
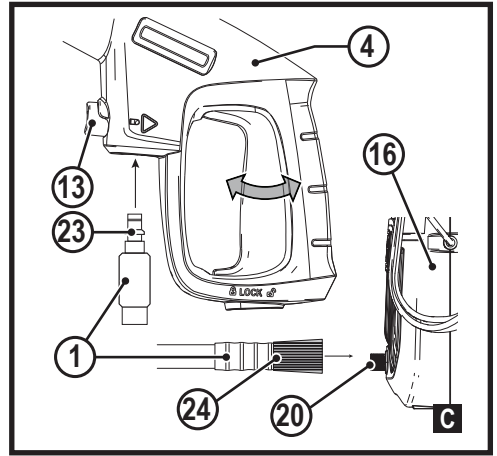
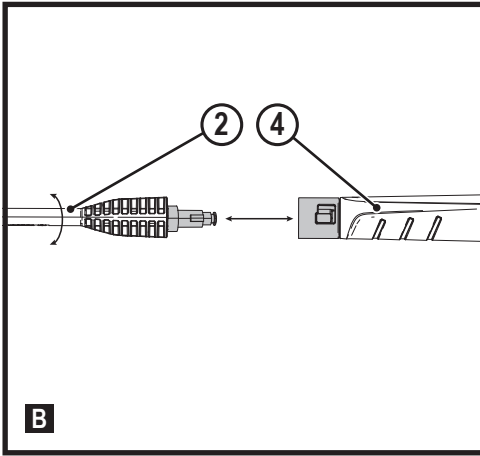
**BEPW1600LTH
BEPW1750TH**

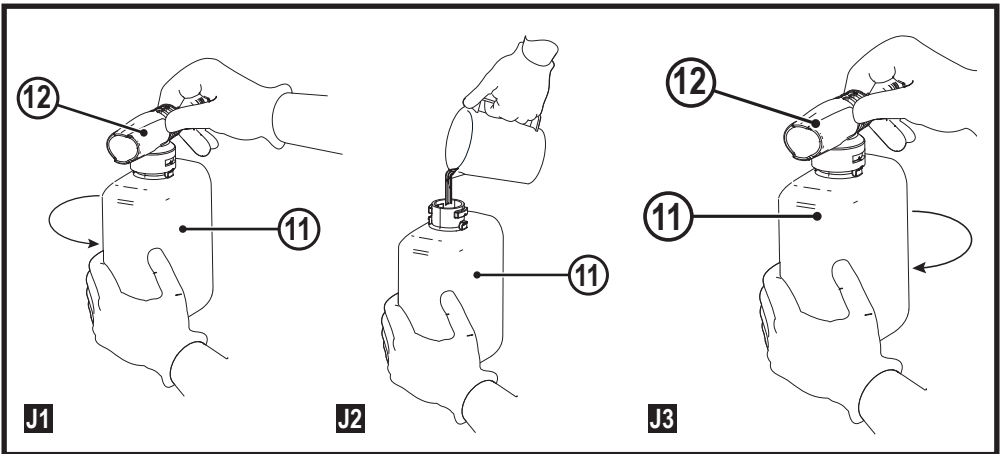
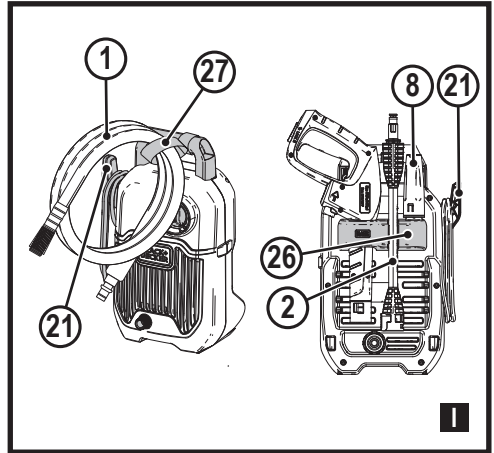
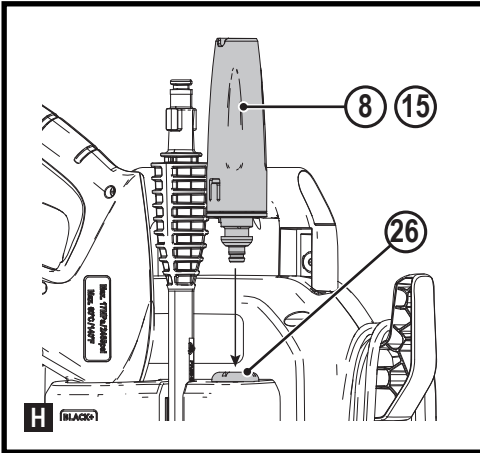
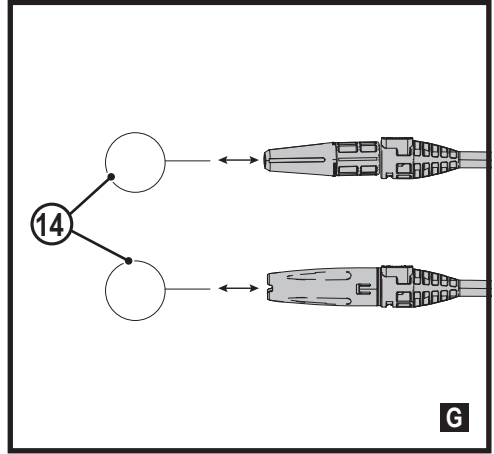
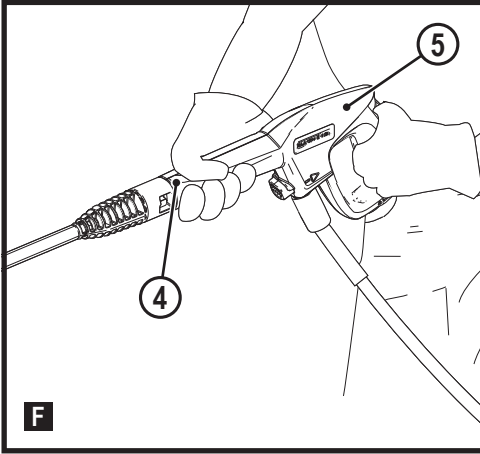


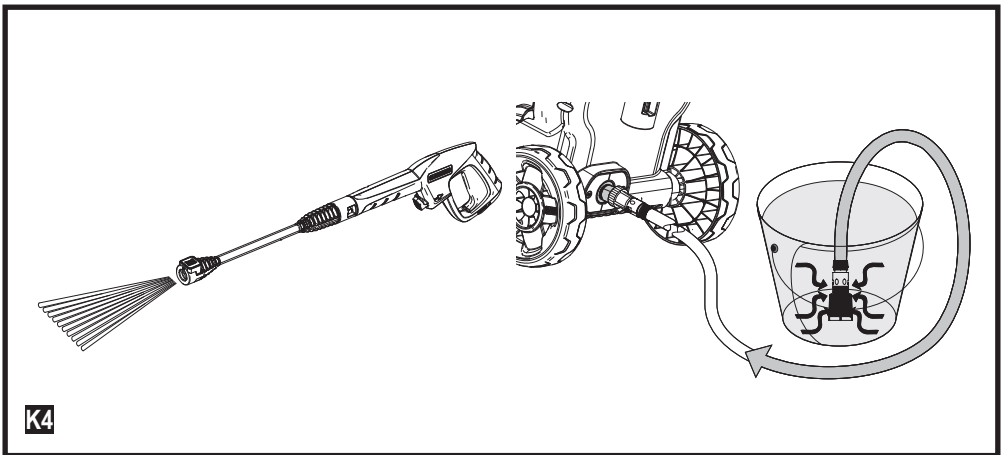
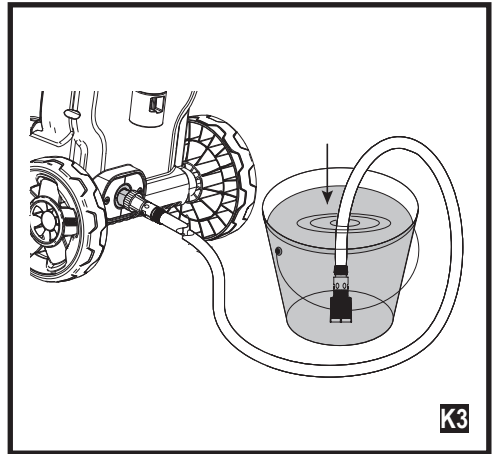
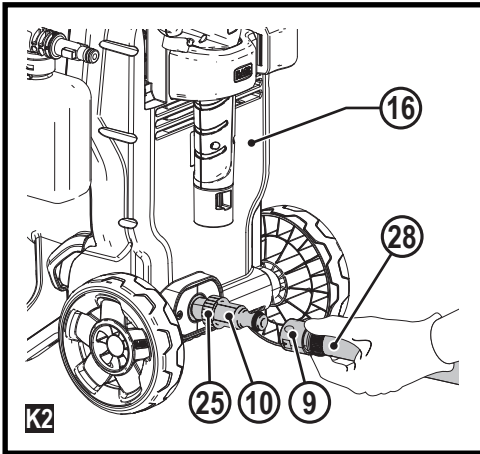
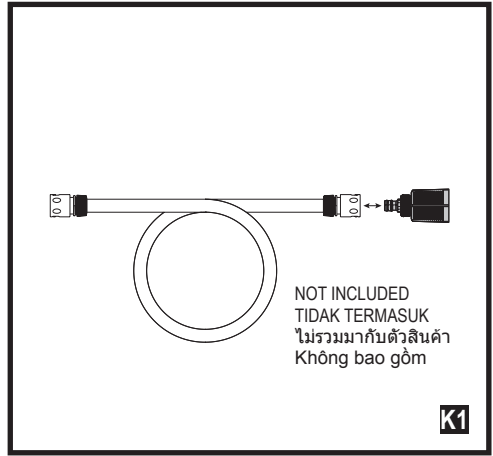
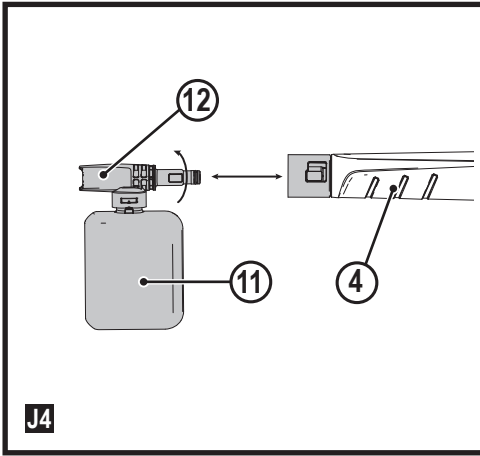
BEPW1800TTH

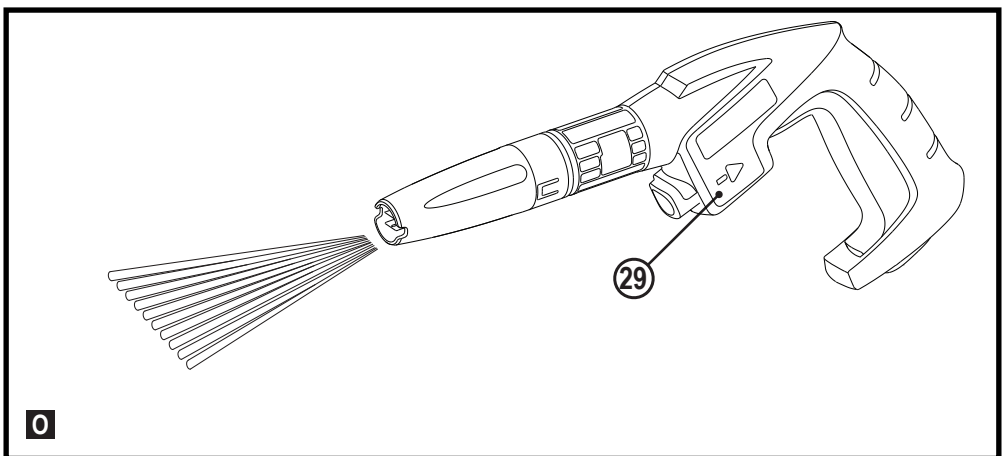
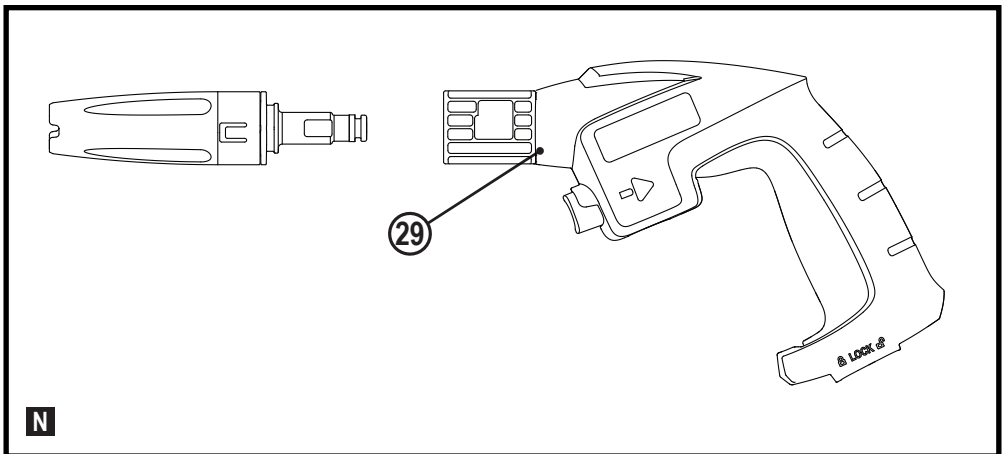
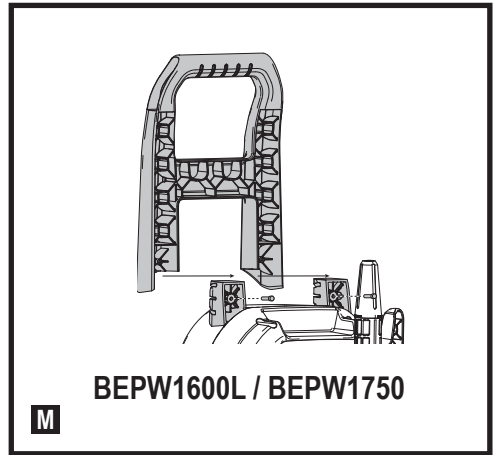
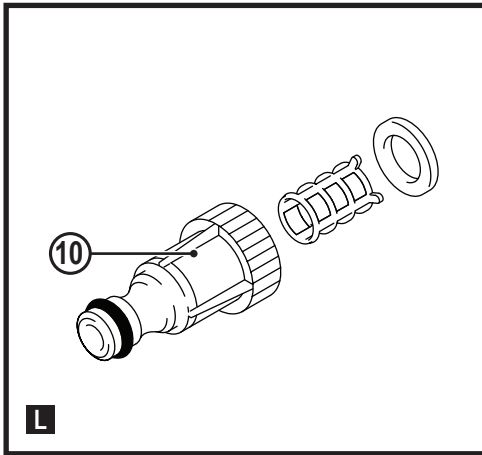


A









BEPW1600LTH, BEPW1750TH, BEPW1800TTH PRESSURE WASHER

Technical data

BEPW1600LTH		
Power	W	1400
Rated Flow Rate	L/min	5.2
Max Water Flow Rate	L/min	6.6
Rated Pressure	Bar /PSI	74/ 1074
Maximum Pressure	Bar/PSI	110/1600
Maximum Inlet Temperature	°C	50
Maximum Input Pressure	Bar	10
Repulsive Force of the Gun to the Maximum Pressure	N	21
Motor Protection		IPX5
Inlet Water		Cold clear Water

BEPW1750TH		
Power	W	1500
Rated Flow Rate	L/min	5.5
Max Water Flow Rate	L/min	6.8
Rated Pressure	Bar /PSI	80/ 1160
Maximum Pressure	Bar/PSI	120/1740
Maximum Inlet Temperature	°C	50
Maximum Input Pressure	Bar	10
Repulsive Force of the Gun to the Maximum Pressure	N	21
Motor Protection		IPX5
Inlet Water		Cold clear Water

BEPW1800TTH		
Power	W	1700
Rated Flow Rate	L/min	5.5
Max Water Flow Rate	L/min	6.8
Rated Pressure	Bar /PSI	83.5/ 1211
Maximum Pressure	Bar/PSI	125/1810
Maximum Inlet Temperature	°C	50

Maximum Input Pressure	Bar	10
Repulsive Force of the Gun to the Maximum Pressure	N	21
Motor Protection		IPX5
Inlet Water		Cold clear Water

Intended use

This pressure washer is intended for household use for cleaning boats, cars, decks, driveways, grills, house siding, motorcycles, patios, and outdoor furniture.

Do not let children come into contact with the tool.

Supervision is required when inexperienced operators use this tool.

Safety instructions

IMPORTANT SAFETY INSTRUCTIONS



WARNING: When using this pressure washer, basic safety precautions should always be followed including the following:

- ♦ If the supply cord is damaged, it must be replaced by the manufacturer or an authorised BLACK+DECKER Service Centre in order to avoid a hazard.
- ♦ **This appliance is not intended for use by persons (including children) with reduced physical, sensory or mental capabilities, or lack of experience and knowledge, unless they have been given supervision or instruction concerning use of the appliance by a person responsible for their safety.**
- ♦ This machine is not intended for use by persons (including children) with reduced physical, sensory or mental capabilities, or lack of experience and knowledge.
- ♦ Children should be supervised to ensure that they do not play with the appliance.
- ♦ Read all the instructions before using the product.
- ♦ To reduce the risk of injury, close supervision is necessary when a product is used near children.
- ♦ Know how to stop the product and bleed pressures quickly. Be thoroughly familiar with the controls.
- ♦ Stay alert – watch what you are doing.
- ♦ Do not operate the product when fatigued or under the influence of alcohol or drugs.
- ♦ Keep operating area clear of all persons and animals.
- ♦ Do not overreach or stand on unstable support. Keep good footing and balance at all times.
- ♦ Follow the maintenance instructions specified in the manual.

- ♦ The electric supply connection shall be made by a qualified electrician and comply with IEC 60364-1. It is recommended that the electric supply to this machine should include either a residual current device that will interrupt the supply if the leakage current to earth exceeds 30 mA for 30 ms or a device that will prove the earth circuit.



WARNING: Risk of injection or injury – do not direct discharge stream at persons or animals.



WARNING: Read this entire manual before attempting to assemble, operate or install the product.



WARNING: This unit was designed for specific applications. It should not be modified and/or used for any application other than that which it was designed. **NOTICE:** Always store your pressure washer in a location where the temperature will not fall below 40 °F (4 °C). freeze damage is not covered by the warranty.

1. Do not touch plug or outlet with wet hands.
2. **Avoid accidental starts.** Move switch on unit to OFF position before connecting or disconnecting cord to electrical outlets.
3. Water spray must never be directed towards any electric wiring or directly towards the pressure washer machine itself or fatal electric shock may occur.
4. **Never carry your pressure washer by the cord.** Do not pull on the cord to disconnect from the outlet.
5. To prevent damage, the cord should not be crushed, placed next to sharp objects or near a heat source.
6. **Check power cords before using.** Damaged cords can reduce performance of pressure washer or cause a fatal electrical shock
7. **The narrow pin point stream is very powerful.** It is not recommended for use on painted surfaces, wood surfaces or items attached with an adhesive backing.
8. Keep operating area clear of all persons and animals.
9. Always use both hands when operating pressure washer to maintain complete control of the wand.
10. **Do not touch nozzle or water spray while operating.** Never place hands in front of nozzle.
11. **Wear safety goggles while operating.** Wear protective clothing and footwear to protect against accidental spraying.
12. Disconnect power plug from the outlet when not in use and prior to the detaching of the high pressure hose.


13. **Never tie knots or kink the high pressure hose as damage could result. Inspect the high-pressure hose regularly. Replace the hose immediately if it is damaged, worn or shows any signs of cracks, bubbles, pinholes, or other leakage.** Never grasp a high-pressure hose that is leaking or damaged.
14. **Do not operate or store this product in temperatures below 40 °F (4 °C).** Freeze damage is not covered by the warranty.
15. **Carefully observe all chemical instructions and warnings before using. Use only approved pressure washer cleaners. Do not use bleach, chlorine, or any cleaners containing acids. Always follow manufacturer's label recommendations for proper use of cleaners.** Always protect eyes, skin and respiratory system from cleaners.
16. **The pressure washer should not be used in areas where gas vapors may be present.** An electric spark could cause an explosion or fire.
17. To minimize the amount of water getting into the pressure washer, the unit should be placed as far as possible from the cleaning site during operation.
18. To prevent accidental discharge, the spray gun should be secured by locking the trigger when not in use.
19. To allow free air circulation, the pressure washer should NOT be covered during operation.
20. **Never touch, grasp or attempt to cover a pinhole or similar water leak on the high-pressure hose.** The stream of water IS under high pressure and WILL penetrate skin.
21. **Use only hoses and accessories rated for pressure higher than your pressure washer's PSI / Bar.** Never use with any other manufacturer's accessories or components.
22. Never defeat the safety features of this product.
23. Do not operate machine with missing, broken or unauthorized parts.
24. Never spray flammable liquids or use pressure washer in areas containing combustible dust, liquid, or vapors.





WARNING: This machine has been designed for use with the cleaning agent supplied or recommended by the manufacturer. The use of other cleaning agents or chemicals may adversely affect the safety of the machine.





WARNING: During use of high pressure cleaners, aerosols may be formed. Inhalation of aerosols can be hazardous to health.


 **WARNING:** High pressure jets can be dangerous if subject to misuse. The jet must not be directed at persons, live electrical equipment or the machine itself.


 **WARNING:** Do not use the machine within range of persons unless they wear protective clothing.


 **WARNING:** Do not direct the jet against yourself or others in order to clean clothes or foot-wear.


 **WARNING:** Risk of explosion – Do not spray flammable liquids.


 **WARNING:** High pressure cleaners shall not be used by children or untrained personnel.


 **WARNING:** High pressure hoses, fittings and couplings are important for the safety of the machine. Use only hoses, fittings and couplings recommended by the manufacturer.


 **WARNING:** To ensure machine safety, use only original spare parts from the manufacturer or approved by the manufacturer.


 **WARNING:** Water that has flowed through backflow preventers is considered to be nonpotable.


 **WARNING:** the machine shall be disconnected from its power source during cleaning or maintenance and when replacing parts.

 **WARNING:** Do not use the machine if a supply cord or important parts of the machine are damaged, e.g. safety devices, high pressure hoses, trigger gun.

 **WARNING:** Inadequate extension cords can be dangerous. If an extension cord is used, it shall be suitable for outdoor use, and the connection has to be kept dry and off the ground. It is recommended that this is accomplished by means of a cord reel which keeps the socket at least 60 mm above the ground.

 **WARNING:** Always switch off the mains disconnecting switch when leaving the machine unattended.

 **WARNING:** Depending on the application, shielded nozzles can be used for high pressure cleaning, which will reduce the emission of hydrous aerosols dramatically. However, not all applications allow the use of such a device. If shielded nozzles are not applicable for the protection against aerosols, a respiratory mask of class FFP 2 or equivalent may be needed, depending on the cleaning environment.

 **WARNING:** Ensure that any exhaust emissions are not in the vicinity of air intakes.

Safety of others

- ◆ This tool is not intended for use by persons (including children) with reduced physical, sensory or mental capabilities, or lack of experience and knowledge, unless they have been given supervision or instruction concerning use of the tool by a person responsible for their safety.
- ◆ Children should be supervised to ensure that they do not play with the appliance.

Labels on tool

The following symbols are shown on the tool along with the date code:



Warning! To reduce the risk of injury, the user must read the instruction manual.



Wear eye protection



Wear ear protection.



Machine not suitable for connection to the potable water mains.



Never direct the water jet at people, animals, the machine or electric components



This tool is double insulated; therefore no earth wire is required. Always check that the power supply corresponds to the voltage on the rating plate.

Features

This appliance includes some or all of the following features.

1. High pressure hose
2. Spray wand
3. Nozzle button
4. Spray handle
5. Spray handle grip
6. Trigger lock-off
7. Trigger
8. Spray fan to pencil jet nozzle
9. Hose connector
10. Filter
11. Soap bottle
12. Soap bottle applicator
13. Hose connect button
14. Nozzle cleaning tool
15. Turbo nozzle
16. Pressure washer unit
17. ON/OFF dial
18. Handle
19. Retractable handle (BEPW1800TTH)
20. High pressure water outlet
21. Cord retaining hook
22. Power cord
29. Short spray gun with fan nozzle

Assembly

Warning! To reduce the risk of serious personal injury, turn unit off and disconnect it from power source before making any adjustments or removing/installing attachments or accessories. An accidental start-up can cause injury.

Attaching Handle (Fig. A)

BEPW1600LTH, BEPW1750TH

Press the handle (18) onto the pressure washer unit (16) and secure with the screws supplied. Do not overtighten.

Attaching Spray Handle (Fig. B)

- ◆ To connect the spray handle (4) to the spray wand (2), insert the end of the spray handle onto the end of the spray wand.
- ◆ Press in and turn the spray handle counterclockwise to lock it into position.

Attaching High Pressure Hose (Fig. C)

Notice: Never pull high pressure hose or water supply hose to move pressure washer. This could damage hose and/or pump inlet and/or pump outlet.

- ◆ To connect the high pressure hose (1) to the spray handle (4), depress the hose connect button (13) while clicking the hose end (23) into the spray handle. Release the hose connect button when the hose end has clicked into position.
- ◆ To connect the high pressure hose to the pressure washer unit (16), screw the hose collar (24) onto the high pressure water outlet (20).

Note: Uncoil the high pressure hose before installation to prevent kinks.

Note: Avoid cross threading when installing the hose. Cross threading will cause leaks.

Attaching Garden Hose (Fig. D, K2)

Note: Before connecting the garden hose to the pressure washer unit, run water through the garden hose for thirty seconds to clear any debris from inside the garden hose.

- ◆ To connect the garden hose to the pressure washer unit (16), screw the filter (10) to the water intake (25).
- ◆ Connect the garden hose to the hose connector (9) by loosening the screw of the garden connector and attaching the hose onto the connector
- ◆ Attach the garden hose (28) mounted onto the garden connector to the filter (10) until it "clicks".

Note: Always disconnect the garden hose after usage.

Attaching Nozzles (Fig. A, E)

Danger! Risk of fluid injection. Do not direct discharge stream toward persons, unprotected skin, eyes or any pets or animals. Serious injury will occur.

Warning! Flying objects could cause risk of serious injury. DO NOT attempt to change nozzles while pressure washer is running. Turn pressure washer unit OFF before changing nozzles.

- ◆ To connect a nozzle to the spray wand (2), depress the nozzle button (3) on the spray wand and insert the appropriate nozzle.
- ◆ Release the button to lock the nozzle in place.
- ◆ Give the nozzle a firm tug to ensure the nozzle is locked into place.

Note: Fan nozzle just fits to the short spray gun not to the standard spray handle.

Spray Fan to Pencil Jet Nozzle

Adjusting Fan Pattern (Fig. E1)

The angle of spray coming out of the spray wand may be adjusted by rotating the nozzle. This will vary the spray pattern from approximately a 0° narrow high impact stream to a 60° wide fan spray.

A wide fan pattern distributes the impact of the water over a larger area, resulting in excellent cleaning action with a reduced risk of surface damage. Large surface areas can be cleaned more quickly using a wide fan pattern.

A narrow pencil jet stream distributes the impact of the water in a concentrated area, resulting in a high impact force on the cleaning surface. Use a narrow pencil jet stream for deep cleaning in a concentrated area. However, use it cautiously, as it may damage some surfaces

Attaching Soap Bottle (Fig. J4)

To connect the soap bottle (11) to the spray handle (4), insert the end of the soap bottle inside the spray handle and turn the soap bottle counterclockwise to lock it into position.

Note: The wand and soap bottle cannot be installed at the same time.

Note: The soap bottle should be positioned underneath the barrel of the spray handle. Do not position the soap bottle above the barrel of the plastic gun as this will lead to soap dripping on the barrel.

Spray Tip	Application
Spray fan to pencil jet nozzle	For gentle wide area cleaning.
Turbo Nozzle	For abrasive cleaning.

Operation

Warning! To reduce the risk of serious personal injury, turn unit off and disconnect it from power source before making any adjustments or removing/installing attachments or accessories. An accidental start-up can cause injury.

Proper Hand Position (Fig. F)

Warning! To reduce the risk of serious personal injury, always use proper hand position as shown.

Warning! To reduce the risk of serious personal injury, always hold securely in anticipation of a sudden reaction.

Proper hand position requires one hand on the spray handle grip (5) and the other hand on the spray handle (4).

Pressure Washing

Preparing Surface for Cleaning

- ◆ Remove objects from the area which could create a hazard such as children's toys or outdoor furniture.
- ◆ Insure that all doors and windows are closed tight.
- ◆ Protect all plants and trees in the adjacent area with a drop cloth ensuring that they will not be harmed by any overspray.
- ◆ Pre-rinse cleaning area with fresh water.
- ◆ Use only detergents formulated for pressure washers.
- ◆ Always test detergent in an inconspicuous area before use.

Preparing Pressure Washer Unit for Use (K1, K2, K3, K4)

Danger! Risk of fluid injection and laceration. When using the high-pressure setting, DO NOT allow the high-pressure spray to come in contact with unprotected skin, eyes, or with any pets or animals. Serious injury will occur.

Caution! Before operation:

- ◆ Connect the garden hose to a water supply. Water can be drawn from a faucet or another water supply. Refer to **Self Priming** under **Preparing Pressure Washer Unit for Use**.
- ◆ Connect the high pressure hose to the pressure washer and the spray handle. For instructions on connecting the

high pressure hose to the pressure washer and spray handle, please refer to **Attaching High Pressure Hose** under **Assembly**.

- ◆ Connect the garden hose to the pressure washer. For instructions on connecting the water supply to the pressure washer, please refer to **Attaching Garden Hose** under **Assembly**.
- ◆ Plug the power cord into an appropriate power source.

Preparing Spray Handle

Important! Before turning on the pressure washer unit, disengage the trigger lock-off (6) and squeeze the trigger (7).

- ◆ Disengage the trigger lock-off (6).
- ◆ Squeeze the trigger (7). Hold the trigger for 30 seconds to purge the system of air.
- ◆ If air is still found in the water stream, continue to run water through the spray handle.

Water Connection



Warning! According to the applicable regulations, the appliance must never be used on the drinking water network without a system separator. Use a system separator as per IEC 61770 Type BA.

Water flowing through a system separator is not considered drinkable.

- ◆ Comply with the regulations of your water supply company.
- ◆ All connecting hoses must have properly sealed joints.
- ◆ Make sure the supply hose is at least 12.7 mm in diameter and is reinforced.
- ◆ The appliance should never be used on the drinking water supply without a backflow valve. Water that has passed the backflow valve is considered undrinkable.

Cleaning a Surface

- ◆ To start the pressure washer, rotate the ON/OFF dial (17) to the ON position.
- ◆ Confirm that the water faucet is open or use any other water source so that water will be supplied to the pressure washer unit.
- ◆ The best angle for spraying water against a cleaning surface is 45° .
 - ◆ Spraying head on tends to cause dirt particles to imbed in the surface.
 - ◆ When working on vertical surfaces, it is best to apply detergent starting at the bottom and working upwards which will prevent the detergent from sliding down and causing streaks.
- ◆ To disengage the spray handle, release the trigger.

NOTE: Excessive pump pressure may be the result of a clogged nozzle. Always turn OFF the pressure washer unit and unplug the unit before attempting to unclog a nozzle.

Detergents (J1, J2, J3, J4)

For steps on attaching the detergent/soap bottle, please refer

to Attaching Soap Bottle under Assembly.

The use of detergents can dramatically reduce cleaning time and assist in the removal of difficult stains. Some detergents have been customized for pressure washer use on specific cleaning tasks.

The cleaning power of detergents comes from applying them to a surface and giving the chemicals time to break down the dirt and grime. Detergents work best when applied at low pressure.

The combination of chemical action and high pressure rinsing is very effective.

On vertical surfaces, apply the detergent starting at the bottom and work your way upward. This will prevent the detergent from sliding down and causing streaks. High pressure rinsing should also progress from the bottom to top. On particularly tough stains, it may be necessary to use a brush in combination with detergents and high pressure rinsing.

Moving the Pressure Washer

- ◆ Turn OFF the pressure washer unit (16) by rotating the ON/OFF dial (17) to the OFF position and then turn OFF the water supply.
- ◆ Point the spray wand (2) in a safe direction and pull the trigger (7) to release remaining water pressure.
- ◆ When the spray wand is completely empty, lift the pressure washer by the handle (18).

Shutdown (Fig. A, D)

- ◆ Turn OFF the pressure washer unit (16) by rotating the ON/OFF dial (17) to the OFF position and unplug the cord from the outlet.
- ◆ Turn OFF water at the faucet or disconnect from any other water source.
- ◆ Discharge residual pressure by squeezing the trigger (7) until no more water comes out of the spray wand (2).
- ◆ Engage the spray trigger lock-off (6).
- ◆ Disconnect the garden hose (28) from the water intake (25).
- ◆ Disconnect the high pressure hose (1) from the high pressure water outlet (20) and drain hose.

Self Priming (Fig. A, C, D, K1, K2, K3, K4)

- ◆ Connect the inlet hose to the pressure washer. Refer to **Attaching Garden Hose** under **Assembly**.
- ◆ Place the free end of the hose with filter attached into the alternative water source (e.g. bucket, etc.)
- ◆ Connect the high pressure hose to the spray handle. Please refer to **Attaching High Pressure Hose** under **Assembly**.
- ◆ Plug the pressure washer unit into a power source.
- ◆ Actuate the pressure washer by rotating the ON/OFF dial to the ON position .
- ◆ Turn OFF the pressure washer as soon as water is spraying out of the outlet tube of the unit.
- ◆ Unplug the pressure washer unit from the power source.
- ◆ Assemble the high pressure hose to the high pressure water outlet.

- ◆ Plug the pressure washer unit into a power source.
- ◆ Actuate the pressure washer by rotating the ON/OFF dial to the ON position.
- ◆ Actuate the trigger of the spray handle to start cleaning work.

Maintenance

Warning! To reduce the risk of serious personal injury, turn unit off and disconnect it from power source before making any adjustments or removing/installing attachments or accessories. An accidental start-up can cause injury.

Your Black+Decker power tool has been designed to operate over a long period of time with a minimum of maintenance. Continuous satisfactory operation depends upon proper tool care and regular cleaning.

Cleaning

Warning! Blow dirt and dust out of all air vents with clean, dry air at least once a week.

To minimize the risk of eye injury, always wear approved eye protection when performing this procedure.

Warning! Never use solvents or other harsh chemicals for cleaning the non-metallic parts of the tool. These chemicals may weaken the plastic materials used in these parts. Use a cloth dampened only with water and mild soap. Never let any liquid get inside the tool; never immerse any part of the tool into a liquid.

Nozzle Cleaning (Fig. G)

If the nozzle becomes clogged with foreign materials, such as dirt, excessive pressure may develop. If the nozzle becomes partially clogged or restricted, the pump pressure will pulsate. Clean the nozzle immediately using the nozzle cleaner.

- ◆ Turn OFF and unplug the pressure washer unit (16).
- ◆ Turn OFF the water supply.
- ◆ Pull trigger (7) on spray handle (4) to relieve any water pressure.
- ◆ Remove the nozzle from the spray wand (2) by depressing the button (3).
- ◆ Using the nozzle cleaning tool (14), unclog any debris from the nozzle.
- ◆ Run water from a faucet or garden hose through the nozzle.

Filter Cleaning (Fig. A, L)

Inspect the filter (10) before each use and clean if necessary. Remove the filter element and run under clear water to remove any debris.

Storage (Fig. H, I)

- ◆ Store in a dry, covered location above freezing temperature. **STORE INDOORS.**
- ◆ Always completely empty water from high pressure hose, pressure washer unit, nozzles, and spray wand.
- ◆ Nozzles can be stored in the unit as shown in Fig. H.

Note: the turbo or pen to fan nozzles can be stored on the wand.

- ◆ Power cord can be stored coiled up and secured with the cord retaining hooks (21) as shown in Fig. I.
- ◆ High pressure hose (1) can be stored coiled up and secured to the handle (18) with the help of the hook and latch strap (27) as shown in Fig. I.
- ◆ The spray handle (4) can be stored onto the rear of the unit using the bracket (26) as shown in Fig. I.
- ◆ The spray wand (2) can be stored onto the rear of the unit using the bracket (26) as shown in Fig. I.

Accessories

Warning! Since accessories, other than those offered by BLACK+DECKER, have not been tested with this product, use of such accessories with this tool could be hazardous. To reduce risk of injury, use only BLACK+DECKER accessories recommended for this product.

Recommended accessories for use with your tool are available at extra cost from your local dealer or authorized service center. If you need assistance in locating any accessory, please contact www.blackanddecker.com.

Repairs

Warning! To assure product SAFETY and RELIABILITY, repairs, maintenance and adjustment (including brush inspection and replacement) should be performed by a Black+Decker factory service center or a Black+Decker authorized service center. Always use identical replacement parts

If the supply cord is damaged, it must be replaced by the manufacturer, its service agent or similarly qualified persons in order to avoid a hazard.

Protecting the environment



Separate collection. Products and batteries marked with this symbol must not be disposed of with normal household waste.

Products and batteries contain materials that can be recovered or recycled reducing the demand for raw materials. Please recycle electrical products and batteries according to local provisions.

Service information

BLACK+DECKER offers a full network of company-owned and authorized service locations throughout Asia. All BLACK+DECKER Service Centers are staffed with trained personnel to provide customers with efficient and reliable power tool service. Whether you need technical advice, repair, or genuine factory replacement parts, contact the BLACK+DECKER location nearest to you.

Notes

- ◆ BLACK+DECKER's policy is one of continuous improvement to our products and, as such, we reserve the right to change product specifications without prior notice.
- ◆ Standard equipment and accessories may vary by country.
- ◆ Product specifications may differ by country.
- ◆ Complete product range may not be available in all countries.
- ◆ Contact your local BLACK+DECKER dealers for range availability.

Troubleshooting

Warning! Risk of Unsafe Operation. Before servicing unit unplug or disconnect electrical supply, turn water supply off, discharge residual pressure, and engage spray handle lock-off.

PROBLEM	CAUSE	CORRECTION
Motor does not start.	Unit not plugged in.	Plug in power cord.
	ON/OFF switch is in the OFF position.	Turn switch to the "ON" position.
	Wand trigger not being squeezed.	Squeeze trigger with switch in "ON" position.
Unit does not reach high pressure.	Water faucet not fully turned on.	Open water valve fully.
	Water inlet filter clogged.	Remove filter and rinse to clean.
	Nozzle worn.	Replace with new nozzle.
	Pump is sucking air.	Check that hoses and fittings are air tight. Turn OFF machine and purge pump by squeezing trigger gun until a steady flow of water emerges from the nozzle.
	Water supply restricted.	Check water hose for kinks, leaks and blockage.
	Unit is not properly self primed	Refer to Self Priming under Assembly .
Output pressure varies high/low.	Not enough inlet water supply.	Turn water on full force - check hose for leaks and kinks.
	Pump is sucking air.	Check that hoses and fittings are air tight. Turn OFF machine and purge pump by squeezing trigger gun until a steady flow of water emerges from the nozzle.
	Water inlet screen clogged.	To unclog, rinse off with water.
	Discharge nozzle is obstructed.	Blow out or remove debris.
Garden hose connection leaks.	Loose fittings.	Tighten fittings.
	Missing/worn rubber washer.	Replace washer in hose adapter.
Spray wand leaks.	Spray wand not properly attached.	Insert the spray wand into the spray handle. Push in and turn to lock spray wand into place.
	Broken O-ring.	Contact your local dealer
Pump is excessively noisy.	Pump is sucking air.	Check that hoses and fittings are air tight. Turn OFF machine and purge pump by squeezing trigger gun until a steady flow of water emerges from the nozzle.
Water leaks from pump.	Loose fittings.	Check that all fittings are tight.
	Water seals are damaged or worn.	Contact your local dealer
Oil leaks.	Oil seals are damaged or worn.	Contact your local dealer
Motor buzzes but fails to run.	Supply voltage below minimum.	Verify that only the pressure washer is running on this circuit.
	System has residual pressure.	Turn unit off, squeeze trigger on spray wand to release pressure, then turn unit on.
	Voltage loss due to extension cord.	Plug directly into outlet.
	Cleaner not used for long periods.	Contact your local dealer

PROBLEM	CAUSE	CORRECTION
No detergent.	Detergent container is empty.	Add more detergent.
	Detergent bottle or suction tube not properly connected.	Check connections.
	Detergent is too thick.	Use detergent recommended for use in pressure washers only.
	Filter on detergent suction tube is clogged.	Run warm water through filter to remove debris.
	Damaged or clogged detergent suction tube.	Remove obstruction or replace detergent suction tube.
	Discharge nozzle is obstructed.	Blow out or remove debris.

Black & Decker (U.S.) Inc.
701 East Joppa Rd, Towson, Maryland 21286 U.S.A

BEPW1600LTH, BEPW1750TH, BEPW1800TTH เครื่องฉีดน้ำแรงดันสูง

ข้อมูลทางเทคนิค

BEPW1600LTH		
กำลังไฟ	W	1400
พิกัดอัตราการไหล	L/min	5.2
อัตราการไหลสูงสุดของน้ำ	L/min	6.6
พิกัดแรงดัน	Bar /PSI	74/ 1074
แรงดันสูงสุด	Bar/PSI	110/1600
อุณหภูมิทางเข้าสูงสุด	°C	50
แรงดันขาเข้าสูงสุด	Bar	10
แรงผลักของปืนที่มีต่อแรงดันสูงสุด	N	21
การปกป้องมอเตอร์		IPX5
น้ำดี		น้ำใสเย็น

BEPW1750TH		
กำลังไฟ	W	1500
พิกัดอัตราการไหล	L/min	5.5
อัตราการไหลสูงสุดของน้ำ	L/min	6.8
พิกัดแรงดัน	Bar /PSI	80/ 1160
แรงดันสูงสุด	Bar/PSI	120/1740
อุณหภูมิทางเข้าสูงสุด	°C	50
แรงดันขาเข้าสูงสุด	Bar	10
แรงผลักของปืนที่มีต่อแรงดันสูงสุด	N	21
การปกป้องมอเตอร์		IPX5
น้ำดี		น้ำใสเย็น

BEPW1800TTH		
กำลังไฟ	W	1700
พิกัดอัตราการไหล	L/min	5.5
อัตราการไหลสูงสุดของน้ำ	L/min	6.8
พิกัดแรงดัน	Bar /PSI	83.5/ 1211
แรงดันสูงสุด	Bar/PSI	125/1810
อุณหภูมิทางเข้าสูงสุด	°C	50

แรงดันขาเข้าสูงสุด	Bar	10
แรงผลักของปืนที่มีต่อแรงดันสูงสุด	N	21
การปกป้องมอเตอร์		IPX5
น้ำดี		น้ำใสเย็น

วัตถุประสงค์การใช้งาน

เครื่องฉีดน้ำแรงดันสูงนี้มีวัตถุประสงค์เพื่อการใช้งานในครัวเรือนสำหรับการทำความสะอาดเร็ว รถยนต์ คาดฟ้า ถนน ตะแกรง ผ่นบ้าน รถจักรยานยนต์ ลานบ้าน และเพอร์ริเจอร์กลางแจ้ง

ห้ามอนุญาตให้เด็กสัมผัสกับเครื่องมือ

ผู้ปฏิบัติงานที่ขาดประสบการณ์ในการใช้เครื่องมือนี้จะต้องได้รับการควบคุมดูแล

คำแนะนำความปลอดภัย

คำแนะนำความปลอดภัยสำคัญ



คำเตือน: เมื่อใช้เครื่องฉีดน้ำแรงดันสูง ผู้ปฏิบัติงานจะต้องปฏิบัติตามข้อพึงระวังเพื่อความปลอดภัยพื้นฐานดังต่อไปนี้โดยเสมอ:

- ♦ หากสายไฟชำรุดเสียหาย สายไฟดังกล่าวจะต้องได้รับการเปลี่ยนใหม่โดยผู้ผลิตหรือศูนย์บริการ BLACK+DECKER ที่ได้รับการอนุญาตเพื่อหลีกเลี่ยงอันตราย
- ♦ อุปกรณ์นี้ไม่ได้มีให้แกบุคคลดังต่อไปนี้ใช้งาน (รวมถึงเด็ก) ได้แก่บุคคลที่มีความบกพร่องทางกายภาพ ประสาทสัมผัสหรือ สภาวะจิต หรือขาดประสบการณ์และความรู้ เว้นแต่บุคคลดังกล่าว ได้รับการควบคุมดูแลและได้รับคำแนะนำการใช้งานจากบุคคลที่รับผิดชอบด้านความปลอดภัย
- ♦ อุปกรณ์นี้ไม่ได้มีเจตนาเพื่อการใช้งานโดยบุคคล (รวมถึงเด็ก) ซึ่งมีความบกพร่องทางกายภาพ ประสาทสัมผัส หรือสภาวะจิต หรือขาดประสบการณ์และความรู้
- ♦ เด็กจะต้องได้รับการควบคุมดูแลเพื่อให้แน่ใจว่าเด็กจะไม่เล่นกับอุปกรณ์นี้
- ♦ อ่านคำแนะนำต่างๆ ทั้งหมดก่อนที่จะใช้ผลิตภัณฑ์นี้
- ♦ เพื่อลดความเสี่ยงจากการบาดเจ็บ จำเป็นต้องมีการควบคุมดูแลอย่างใกล้ชิดเมื่อใช้งานผลิตภัณฑ์นี้ใกล้เด็ก
- ♦ ทราบวิธีหยุดผลิตภัณฑ์และความดันโลหิตอย่างรวดเร็วทำตัวให้คุ้นเคยกับการควบคุมต่างๆ
- ♦ ดึงตัวอยู่เสมอ ดูสิ่งที่คุณกำลังทำอยู่
- ♦ ห้ามใช้งานผลิตภัณฑ์เมื่อรู้สึกเหนื่อยล้าหรือเมื่อยตัวอยู่ภายใต้อิทธิพลของแอลกอฮอล์หรือยา
- ♦ ดูแลพื้นที่ที่ปฏิบัติงานให้ปราศจากบุคคลและสัตว์อยู่เสมอ
- ♦ ห้ามเอื้อมมากเกินไปหรือยืนบนพื้นที่ไม่เสถียรจนไว้

ซึ่งการวางเท้าและสมดุลของร่างกายที่เหมาะสมอยู่ตลอดเวลา

- ◆ ปฏิบัติตามคำแนะนำสำหรับการบำรุงรักษาซึ่งระบุไว้ในคู่มือ
- ◆ การเชื่อมต่อแหล่งจ่ายไฟจะต้องได้รับการดำเนินการโดยช่างไฟฟ้าที่มีคุณสมบัติเหมาะสม และจะต้องเป็นไปตาม IEC 60364-1 เราขอแนะนำว่า แหล่งจ่ายไฟสำหรับอุปกรณ์นี้จะต้องมีเครื่องตัดไฟรั่วซึ่งจะขัดขวางการจ่ายไฟหากเกิดกระแสไฟรั่วลงพื้นเกิน 30 mA เป็นเวลา 30 ms หรืออุปกรณ์ที่จะช่วยเรื่องวงจรสายดิน



คำเตือน: ความเสี่ยงจากการฉีกหรือการบาดเจ็บ – ห้ามหนีกระแสน้ำไปที่คนหรือสัตว์



คำเตือน: อ่านคู่มือฉบับนี้โดยละเอียดก่อนที่จะพยายามประกอบชิ้นส่วน ใช้งาน หรือติดตั้งผลิตภัณฑ์



คำเตือน: อุปกรณ์นี้ได้รับการออกแบบมาสำหรับการใช้งานที่เฉพาะเจาะจง อุปกรณ์นี้จะต้องไม่ได้รับการดัดแปลงและ/หรือใช้งานเพื่อการใช้งานอื่นที่นอกเหนือไปจากวัตถุประสงค์ที่ระบุ

หมายเหตุ: จัดเก็บเครื่องฉีดน้ำแรงดันสูงของคุณไว้ในที่ซึ่งอุณหภูมิจะไม่ต่ำกว่า 40°F (4°C) อยู่เสมอ การรับประกันผลิตภัณฑ์นี้จะไม่ครอบคลุมความเสียหายที่เกิดจากการแช่แข็ง

1. ห้ามสัมผัสปลั๊กหรือเต้ารับโดยใช้มือที่เปียก
2. หลีกเลี่ยงการเริ่มต้นทำงานโดยไม่เจตนาขยับสวิตช์บนอุปกรณ์ไปที่ตำแหน่ง ปิด ก่อนที่จะเชื่อมต่อหรือตัดการเชื่อมต่อสายไฟกับเต้ารับไฟฟ้า
3. ห้ามหนีเครื่องพ่นน้ำไปทางสายไฟหรือหนีเข้าหาตัวเครื่องฉีดน้ำแรงดันสูงเองโดยเด็ดขาด มิเช่นนั้น อาจทำให้เกิดไฟฟ้าดูดซึ่งเป็นอันตรายถึงชีวิตได้
4. ห้ามถือเครื่องฉีดน้ำแรงดันสูงโดยการจับที่สายไฟ โดยเด็ดขาดห้ามดึงที่สายไฟเมื่อจะตัดการเชื่อมต่ออุปกรณ์จากเต้ารับ
5. ห้ามบดขยี้สายไฟ วางสายไฟไว้ใกล้กับวัตถุมีคมหรือใกล้กับแหล่งความร้อนเพื่อป้องกันความเสียหายที่อาจเกิดขึ้น
6. ตรวจสอบสายไฟก่อนที่จะใช้งานสายไฟที่ชำรุดเสียหายจะลดประสิทธิภาพของเครื่องฉีดน้ำแรงดันสูงหรือก่อให้เกิดไฟฟ้าดูดซึ่งเป็นอันตรายถึงชีวิต
7. กระแสไฟฟ้าที่เล็กและแคบจะมีกำลังแรงมากเราไม่แนะนำให้คุณใช้อุปกรณ์นี้กับพื้นผิวที่มีการทาสี พื้นผิวที่เป็นไม้ หรือวัตถุที่ได้รับการบำบัดโดยใช้แผ่นกา
8. ดูแลพื้นที่ปฏิบัติงานให้ปราศจากคนและสัตว์เลี้ยงอยู่เสมอ
9. ใช้มือทั้งสองข้างเมื่อใช้เครื่องฉีดน้ำแรงดันสูงอยู่เสมอเพื่อคงไว้ซึ่งการควบคุมก้านพื้นที่สมบูรณ์
10. ห้ามสัมผัสหัวฉีดหรือเครื่องพ่นน้ำในขณะที่กำลังปฏิบัติงานห้ามวางมือไว้ที่ด้านหน้าของหัวฉีด
11. สวมแว่นตานิรภัยในขณะที่กำลังปฏิบัติงานสวมเสื้อผ้ามุ่งกันและรองเท้านิรภัยเพื่อปกป้องตัวคุณเองจากการพ่นน้ำโดยไม่เจตนา
12. ตัดการเชื่อมต่อปลั๊กไฟจากเต้ารับเมื่อไม่มีการใช้งานและก่อนที่จะถอดสายยางแรงดันสูงออก
13. ห้ามผูกปมหรือทำให้สายยางแรงดันสูงหงิกงอ เนื่องจากจะส่งผลให้เกิดความเสียหายได้ หมั่นตรวจสอบสายยางแรงดันสูงอยู่เสมอ เปลี่ยนสายยางทันทีเมื่อสายยางชำรุดเสียหาย ลึกหรือ หรือแสดงให้เห็นถึงสัญญาณของการแตก การเกิดฟองหรือรู หรือการรั่วอื่น ๆ ห้ามจับสายยางแรงดันสูงที่กำลังรั่วหรือชำรุดเสียหายโดยเด็ดขาด
14. ห้ามใช้งานหรือจัดเก็บผลิตภัณฑ์ที่อุณหภูมิต่ำกว่า 40°F (4°C) การรับประกันผลิตภัณฑ์นี้จะไม่ครอบคลุมความเสียหายที่เกิดจากการแช่แข็ง
15. ปฏิบัติตามคำแนะนำและคำเตือนทั้งหมดเกี่ยวกับสารเคมีอย่างระมัดระวังก่อนที่จะใช้งาน ใช้เฉพาะเครื่องฉีดน้ำแรงดันสูงที่ได้รับการอนุญาตเท่านั้น ห้ามใช้สารฟลอขาว คลอรีน หรือสารทำความสะอาดอื่นใดซึ่งมีกรดเป็นส่วนประกอบ ปฏิบัติตามคำแนะนำบนฉลากของผู้ผลิตสำหรับการใช้สารทำความสะอาดอย่างเหมาะสมอยู่เสมอปกป้องดวงตา ผิวหนัง และระบบทางเดินหายใจจากสารทำความสะอาดอยู่เสมอ
16. คุณจะต้องไม่ใช้เครื่องฉีดน้ำแรงดันสูงในบริเวณที่อาจมีไอระเหยของก๊าซประกายไฟฟ้าอาจทำให้เกิดการระเบิดหรือไฟไหม้ได้
17. คุณจะต้องวางอุปกรณ์ให้อยู่ไกลจากบริเวณที่ทำความสะอาดให้มากที่สุดเท่าที่จะเป็นไปได้ระหว่างการใช้งานเพื่อลดจำนวนของน้ำที่เข้าไปเครื่องฉีดน้ำแรงดันสูง
18. คุณจะต้องล็อคอุปกรณ์สั่งงานของปืนพ่นเมื่อไม่ได้ออกงานเพื่อป้องกันการปล่อยน้ำโดยไม่เจตนา
19. คุณจะต้องไม่บดบังเครื่องฉีดน้ำแรงดันสูงระหว่างการใช้งานเพื่อให้เกิดการไหลเวียนของอากาศอย่างมีประสิทธิภาพ
20. ห้ามสัมผัส จับ หรือพยายามปิดรูหรือการรั่วของน้ำในลักษณะเดียวกันบนเครื่องฉีดน้ำแรงดันสูงโดยเด็ดขาด กระแสน้ำจะอยู่ภายใต้แรงดันสูง และจะซึมผ่านผิวหนังได้
21. ใช้เฉพาะสายยางและอุปกรณ์เสริมซึ่งกำหนดสำหรับแรงดันที่สูงกว่า PSI / บาร์ของเครื่องฉีดน้ำแรงดันสูงของคุณห้ามใช้เครื่องฉีดน้ำแรงดันสูงนี้กับอุปกรณ์เสริมหรือส่วนประกอบของผู้ผลิตรายอื่นโดยเด็ดขาด
22. ห้ามทำลายคุณลักษณะเด่นด้านความปลอดภัยของผลิตภัณฑ์นี้โดยเด็ดขาด
23. ห้ามใช้งานอุปกรณ์โดยใช้ชิ้นส่วนที่ไม่ครบถ้วน ชิ้นส่วนแตกหัก หรือชิ้นส่วนที่ไม่ได้รับการอนุญาต
24. ห้ามพ่นของเหลวไวไฟ หรือใช้เครื่องฉีดน้ำแรงดัน

สูงในบริเวณซึ่งมีฝุ่นละออง ของเหลวหรือไอระเหยที่สามารถเผาไหม้ได้โดยเด็ดขาด



คำเตือน: อุปกรณ์นี้ได้รับการออกแบบมาสำหรับการใช้งานกับสารทำความสะอาดซึ่งจัดหามาให้หรือแนะนำโดยผู้ผลิตการใช้สารทำความสะอาดหรือสารเคมีอื่นอาจส่งผลกระทบต่อความปลอดภัยของอุปกรณ์อย่างร้ายแรงได้



คำเตือน: ระหว่างการใช้เครื่องฉีดน้ำแรงดันสูงอาจทำให้เกิดลวดลายได้การดูดดมละอองลอยสามารถเป็นอันตรายต่อสุขภาพได้



คำเตือน: เครื่องฉีดน้ำแรงดันสูงอาจเป็นอันตรายได้หากนำไปใช้งานไม่ถูกต้องคุณจะต้องไม่หันเครื่องฉีดน้ำแรงดันสูงไปหาคน อุปกรณ์ไฟฟ้าที่มีกระแสไฟฟ้าอยู่ หรือหันเข้าหาเครื่องฉีดน้ำแรงดันสูงเอง



คำเตือน: ห้ามใช้อุปกรณ์ภายในระยะที่มีคนหากบุคคลดังกล่าวไม่ได้สวมเสื้อผ้าป้องกัน



คำเตือน: ห้ามหันเครื่องฉีดน้ำแรงดันสูงเข้าหาตัวคุณเองหรือบุคคลอื่นเพื่อทำความสะอาดเสื้อผ้าหรือรองเท้า



คำเตือน: ความเสี่ยงจากการระเบิด - ห้ามพ่นของเหลวไวไฟ



คำเตือน: เด็กหรือบุคคลากรที่ไม่ได้รับการฝึกอบรมจะต้องไม่ใช้เครื่องฉีดน้ำแรงดันสูง



คำเตือน: สายยางแรงดันสูง ฟัดตั้ง และคัปปลิงเป็นสิ่งที่มีความสำคัญต่อความปลอดภัยของเครื่องฉีดน้ำแรงดันสูงใช้เฉพาะสายยาง ฟัดตั้ง และคัปปลิงซึ่งได้รับการแนะนำโดยผู้ผลิตเท่านั้น



คำเตือน: เพื่อให้เห็นใจได้ถึงความปลอดภัยของอุปกรณ์ คุณจะต้องใช้เฉพาะอะไหล่ของแท้จากผู้ผลิตหรืออะไหล่ที่ได้รับการอนุญาตจากผู้ผลิตเท่านั้น



คำเตือน: น้ำที่ไหลผ่านอุปกรณ์ป้องกันการไหลย้อนกลับจะไม่ถือว่าเป็นน้ำที่สามารถดื่มได้



คำเตือน: คุณจะต้องตัดการเชื่อมต่ออุปกรณ์นี้จากแหล่งจ่ายไฟระหว่างการทำความสะอาดหรือการบำรุงรักษา รวมถึงเมื่อทำการเปลี่ยนชิ้นส่วนต่างๆ



คำเตือน: ห้ามใช้อุปกรณ์นี้หากสายไฟหรือชิ้นส่วนสำคัญของอุปกรณ์ชำรุดเสียหาย เช่น อุปกรณ์นิรภัย สายยางแรงดันสูง ไกล่สังงาน



คำเตือน: ปลั๊กต่อพ่วงที่ยาวไม่พอสามารถเป็นอันตรายได้ หากมีการใช้ปลั๊กต่อพ่วงปลั๊กต่อพ่วงดังกล่าวจะต้องเหมาะสมกับการใช้งานกลางแจ้ง ในขณะที่การเชื่อมต่อจะต้องได้รับการดูแลให้แห้ง และอยู่เหนือพื้นเราขอแนะนำว่าคุณสามารถทำชิ้นนี้ได้โดยใช้ปลั๊กพ่วงซึ่งสามารถทำให้เข้ารูปอยู่เหนือพื้นได้อย่างน้อย 60 มม



คำเตือน: ปิดสวิตช์แหล่งจ่ายไฟอยู่เสมอเพื่อตัดการเชื่อมต่อเมื่อปล่อยอุปกรณ์ทิ้งไว้โดยไม่ได้อิใสใจ



คำเตือน: คุณสามารถใช้หัวฉีดแบบมีที่ป้องกันสำหรับการทำความสะอาดแรงดันสูงซึ่งจะลดการปล่อยละอองลอยจากน้ำได้เป็นอย่างมากซึ่งจะขึ้นอยู่กับการใช้งานของคุณ อย่างไรก็ตาม การใช้งานทั้งหมดอาจไม่จำเป็นต้องใช้อุปกรณ์ข้างต้นหากไม่มีการใช้หัวฉีดแบบมีที่ป้องกันในการป้องกันละอองลอย คุณจะต้องใส่หน้ากากป้องกันระบบทางเดินหายใจประเภท FFP 2 หรือเท่าเทียม โดยจะขึ้นอยู่กับสภาพแวดล้อมที่คุณจะทำความสะอาด



คำเตือน: ตรวจสอบให้แน่ใจว่าไอเสียที่ปล่อยออกมาไม่ได้อยู่ใกล้กับอากาศเข้า

ความปลอดภัยของบุคคลอื่น

- ◆ เครื่องมือนี้ไม่ได้มีเจตนาสำหรับการใช้งานโดยบุคคล (รวมถึงเด็ก) ที่มีความบกพร่องทางกายภาพ ประสาทสัมผัส หรือสภาพจิต หรือขาดประสบการณ์และความรู้ หากบุคคลดังกล่าวไม่ได้รับการควบคุมดูแลหรือให้คำแนะนำเกี่ยวกับการใช้งานเครื่องมือโดยผู้ที่รับผิดชอบต่อความปลอดภัยของบุคคลดังกล่าว
- ◆ เด็กจะต้องได้รับการควบคุมดูแลเพื่อให้แน่ใจได้ว่าเด็กจะไม่เล่นกับอุปกรณ์นี้

ฉลากบนเครื่องมือ

สัญลักษณ์ต่อไปนี้ จะได้รับการแสดงบนเครื่องมือพร้อมกันที่ส่วนที่:



คำเตือน! ผู้ใช้จะต้องอ่านคู่มือการใช้งานเพื่อลดความเสี่ยงจากการบาดเจ็บ



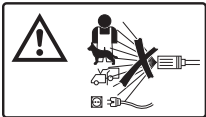
สวมอุปกรณ์ป้องกันดวงตา



สวมอุปกรณ์ป้องกันหู



อุปกรณ์นี้ไม่เหมาะสมสำหรับการเชื่อมต่อเข้ากับแหล่งจ่ายน้ำดื่ม



ห้ามหันเครื่องฉีดน้ำแรงดันสูงไปหาคน สัตว์ เครื่องจักร หรือองค์ประกอบไฟฟ้า

ความปลอดภัยทางไฟฟ้า



เครื่องมือนี้ได้รับการกันจนสองชั้น ดังนั้นคุณจึงไม่ต้องใช้สายดินหมั่นตรวจสอบอยู่เสมอว่า แหล่งจ่ายไฟสอดคล้องกับแรงดันไฟฟ้าที่ระบุไว้บนแผ่นป้าย

คุณลักษณะเด่น

อุปกรณ์นี้ประกอบไปด้วยคุณลักษณะเด่นทั้งหมดหรือบางอย่างดังต่อไปนี้

1. สายยางแรงดันสูง
2. ก้านพ่น
3. ปุ่มหัวฉีด
4. ด้ามพ่น
5. ที่จับด้ามพ่น
6. ล็อคอุปกรณ์สั่งงาน
7. อุปกรณ์สั่งงาน
8. หัวฉีดสำหรับการพ่นในวงกว้างและการพ่นแบบแคบ
9. ข้อต่อสายยาง
10. ไม้สกรอง
11. ขวดสบู
12. อุปกรณ์สำหรับขวดสบู
13. ปุ่มต่อสายยาง
14. เครื่องมือทำความสะอาดหัวฉีด
15. หัวฉีดเทอร์โบ
16. ชุดเครื่องฉีดน้ำแรงดันสูง
17. หน้าที่เปิด/ปิด
18. ด้ามจับ

19. ด้ามจับแบบพับเก็บได้ (BEPW1800TTH)
20. ทางนำออกแรงดันสูง
21. ตะขอเก็บสาย
22. สายไฟ
29. ปืนสันพร้อมหัวฉีดแบบทรงพัด

การประกอบ

คำเตือน! เพื่อลดความเสี่ยงจากการบาดเจ็บส่วนบุคคลร้ายแรง คุณจะต้องปิดอุปกรณ์ และตัดการเชื่อมต่ออุปกรณ์จากแหล่งจ่ายไฟก่อนที่จะทำการปรับแต่งหรือทำการถอด/การใส่อุปกรณ์ต่อพ่วงหรืออุปกรณ์เสริม การเริ่มต้นทำงานโดยไม่เจตนาสามารถก่อให้เกิดการบาดเจ็บได้

การใส่ด้ามจับ (รูป A)

BEPW1600LTH, BEPW1750TH

กดด้ามจับ (18) ลงบนชุดเครื่องฉีดน้ำแรงดันสูง (16) และขันให้แน่นโดยใช้สกรูที่ให้มา ห้ามขันสกรูจนแน่นเกินไป

การใส่ด้ามพ่น (รูป B)

- ◆ ในการเชื่อมต่อด้ามพ่น (4) เข้ากับก้านพ่น (2) คุณจะต้องใส่ปลายของด้ามพ่นไว้ที่บนปลายของก้านพ่น
- ◆ กดเข้าไป และหมุนด้ามพ่นทวนเข็มนาฬิกา เพื่อล็อกด้ามพ่นให้อยู่ในตำแหน่ง

การใส่สายยางแรงดันสูง (รูป C)

หมายเหตุ: ห้ามดึงสายยางแรงดันสูงหรือสายยางจ่ายน้ำเพื่อขยับเครื่องฉีดน้ำแรงดันสูงโดยเด็ดขาดการทำเช่นนี้จะทำให้สายยางและ/หรือ ทางเข้าของบีมน้ำและ/หรือทางออกของบีมน้ำได้รับความเสียหาย

- ◆ ในการเชื่อมต่อด้ามพ่นสายยางแรงดันสูง (1) เข้ากับ ด้ามพ่น (4) คุณจะต้องกดปุ่มต่อสายยาง (13) พร้อมกับกดปลายสายยาง (23) เข้าไปในด้ามพ่น ปลดปล่อยปุ่มต่อสายยางเมื่อปลายสายยาง ได้รับการกดเข้าไปในตำแหน่งแล้ว
- ◆ ในการเชื่อมต่อด้ามพ่นสายยางแรงดันสูงเข้ากับชุดเครื่องฉีดน้ำแรงดันสูง (16) คุณจะต้องขันสกรูรูปดอกสายยาง (24) บน ทางนำออกแรงดันสูง (20)

หมายเหตุ: คลายสายยางแรงดันสูงก่อนที่จะทำการใส่เพื่อป้องกันไม่ให้สายยางหงิกงอ

หมายเหตุ: หลีกเลี่ยงการปืนเกลียวเมื่อใส่สายยางการปืนเกลียวจะทำให้เกิดการรั่วได้

การใส่สายยางรดน้ำ (รูป D, K2)

หมายเหตุ: ก่อนที่จะเชื่อมต่อด้ามพ่นสายยางรดน้ำเข้ากับชุดเครื่องฉีดน้ำแรงดันสูง

คุณจะต้องปล่อยน้ำให้ไหลในสายยางรดน้ำเป็นเวลาสามสิบวินาทีก่อนเพื่อกำจัดเศษต่างๆ ออกจากด้านในของสายยางรดน้ำ

- ◆ ในการเชื่อมต่อสายยางรดน้ำเข้ากับชุด เครื่องฉีดน้ำแรงดันสูง (16) คุณจะต้องขันสกรูใส่กรอง (10) เข้ากับท่อน้ำเข้า (25)
 - ◆ เชื่อมต่อสายยางรดน้ำเข้ากับข้อต่อสายยาง (9) โดยการคลายสกรูของข้อต่อสายยางรดน้ำ และใส่สายยางบนข้อต่อ
 - ◆ ใส่สายยางรดน้ำ (28) ซึ่งติดตั้งบนข้อต่อ สายยางรดน้ำเข้ากับใส่กรอง (10) จนกระทั่ง "เข้าที่"
- หมายเหตุ:** ตัดการเชื่อมต่อสายยางรดน้ำหลังจากใช้งานแล้วอยู่เสมอ

การใส่หัวฉีด (รูป A, E)

อันตราย! ความเสี่ยงจากการฉีดของเหลวห้ามหันกระแสน้ำที่ ปลอยออกมาไปทางคน ผิวหนัง ดวงตาที่ไม่ได้รับการปกป้อง หรือสัตว์เลี้ยง หรือ สัตว์กรทำเช่นนั้นจะทำให้บาดเจ็บสาหัสได้

คำเตือน! วัตถุที่ปลิวว่อนอาจก่อให้เกิดความเสี่ยงจากการบาดเจ็บสาหัสได้สิ่งที่ควรทำ อย่าพยายามเปลี่ยนหัวฉีดในขณะที่กำลังใช้เครื่องฉีดน้ำแรงดันสูง

ปิดเครื่องฉีดน้ำแรงดันสูงก่อนที่จะเปลี่ยนหัวฉีด

- ◆ ในการเชื่อมต่อหัวฉีดเข้ากับก้านพ่น (2) คุณจะต้องกดปุ่มหัวฉีด (3) บนก้านพ่น และใส่ หัวฉีดที่เหมาะสม
- ◆ ปลอยปุ่มเพื่อล๊อคหัวฉีดให้อยู่กับที่
- ◆ ดึงหัวฉีดแน่นๆ เพื่อให้แน่ใจได้ว่า หัวฉีดจะล๊อค อยู่กับที่

หมายเหตุ: หัวฉีดแบบทรงพัดนี้ สามารถใช้กับปืนสั้นเท่านั้น ไม่สามารถใช้กับปืนปกติได้

หัวฉีดสำหรับการพ่นในวงกว้างและการพ่นแบบแคบ

การปรับรูปแบบของการพ่น (รูป E1)

คุณสามารถปรับมุมของการพ่นที่มาจากก้านพ่นได้ โดยการหมุนหัวฉีดการพ่นนี้จะทำให้รูปแบบของการพ่นแตกต่างกันออกไปจากกระแสน้ำแรงกระแทกสูงที่แคบประมาณ 0 องศาไปเป็นการพ่นในวงกว้างที่ 60 องศา รูปแบบของการพ่นในวงกว้างจะกระจายแรงกระแทกของน้ำที่มีต่อ บริเวณขนาดใหญ่ ทำให้เกิดการทำความสะอาดที่มียอดเยี่ยม รวมถึงลดความเสี่ยงจากการทำให้พื้นผิวเสียหายคุณสามารถทำความสะอาดบริเวณของพื้นผิวขนาดใหญ่ ได้รวดเร็วมากขึ้นเมื่อใช้รูปแบบการพ่นในวงกว้าง กระแสน้ำที่มีลักษณะแคบจะกระจายแรงกระแทกของน้ำ ในบริเวณแคบๆ ส่งผลให้เกิดแรงกระแทกสูง กับพื้นผิวที่ทำความสะอาดใช้กระแสน้ำแบบแคบสำหรับ การทำความสะอาดอย่างล้ำลึกอย่างไรก็ตาม ใช้กระแสน้ำดังกล่าวอย่างระมัดระวังเนื่องจากอาจทำให้พื้นผิวบางอย่างเสียหายได้

การใส่ขวดสนู (รูป J4)

ในการเชื่อมต่อขวดสนู (11) เข้ากับด้ามพ่น (4) คุณจะต้องใส่ปลายของขวดสนูเข้าไปที่ด้านในของด้ามพ่นและหมุนขวดสนูทวนเข็มนาฬิกาเพื่อล๊อคขวดสนูให้อยู่ในตำแหน่ง

หมายเหตุ: คุณไม่สามารถใส่ก้านและขวดสนู พร้อมกันได้ **ได้** **หมายเหตุ:** ขวดสนูจะต้องได้รับการวางตำแหน่งให้อยู่ที่ด้านล่าง ของถังของด้ามพ่นห้ามวางตำแหน่งของขวดสนู ไว้ที่เหนือถังของปืนพลาสติกเนื่องจากการทำเช่นนี้จะทำให้สนู หยตลงบนถัง

การใช้	ปลายพ่น
หัวฉีดสำหรับการพ่นในวงกว้างและการพ่นแบบแคบ	สำหรับการทำความสะอาดบริเวณที่กว้างอย่างอ่อนโยน
หัวฉีดเทอร์โบ	สำหรับการทำความสะอาดแบบขจัด

การทำงาน

คำเตือน! เพื่อลดความเสี่ยงจากการบาดเจ็บส่วนบุคคลร้ายแรง คุณจะต้องปิดอุปกรณ์ และตัดการเชื่อมต่ออุปกรณ์จากแหล่งจ่ายไฟ ก่อนที่จะทำการปรับแต่งหรือทำการถอด/การใส่อุปกรณ์ต่อพ่วงหรืออุปกรณ์เสริม การเริ่มต้นทำงานโดยไม่เจตนาสามารถก่อให้เกิดการบาดเจ็บได้

การวางตำแหน่งมือที่เหมาะสม (รูป F)

คำเตือน! ใช้การวางตำแหน่งมือที่เหมาะสมตามที่แสดงในรูปอยู่เสมอเพื่อลดความเสี่ยงจากการบาดเจ็บส่วนบุคคลร้ายแรง

คำเตือน! พึงระวังปฏิกิริยาฉับพลันด้วยความระมัดระวังอยู่เสมอเพื่อลดความเสี่ยงจากการบาดเจ็บส่วนบุคคลร้ายแรง

การวางตำแหน่งมือที่เหมาะสมคือการวางมือข้างหนึ่งไว้บนที่จับ ด้ามพ่น (5) และวางมืออีกข้างไว้บนด้ามพ่น (4)

การฉีดน้ำแรงดันสูง

การเตรียมพื้นผิวสำหรับการทำความสะอาด

- ◆ กำจัดวัตถุต่างๆ ซึ่งอาจเป็นอันตรายได้ ออกจากบริเวณที่จะทำความสะอาด เช่น ของเล่นเด็กหรือเครื่องเรือนกลางแจ้ง
- ◆ ตรวจสอบให้แน่ใจว่า คุณได้ปิดประตูและหน้าต่างทั้งหมดจนแน่นสนิท
- ◆ ปกป้องพืชและต้นไม้ทั้งหมดในบริเวณที่อยู่ติดกันโดยใช้ผ้าใบเพื่อให้แน่ใจว่าพืชและต้นไม้ดังกล่าว

- จะไม่ได้รับอันตราย จากการถูกพ่นน้ำที่มากเกินไป
- ◆ ล้างบริเวณที่จะทำความสะอาดด้วยน้ำเปล่าก่อน
- ◆ ใช้เฉพาะผงซักฟอกซึ่งได้รับการคิดสูตรมาสำหรับ เครื่องฉีดน้ำแรงดันสูงเท่านั้น
- ◆ ทดสอบผงซักฟอกในบริเวณที่ไม่สะอาดตา ก่อนที่จะ ใช้งานอยู่เสมอ

การเตรียมชุดเครื่องฉีดน้ำแรงดันสูง สำหรับการใช้งาน (K1, K2, K3, K4)

อันตราย! ความเสี่ยงจากการฉีดของเหลวและการฉีกขาด เมื่อใช้เครื่องฉีดน้ำแรงดันสูง ห้ามพ่นน้ำให้สัมผัส ถูกผิวหนัง ดวงตา หรือสัตว์เลี้ยง หรือสัตว์ที่ไม่ได้รับการ ป้องกันการพ่นน้ำนั้นจะทำให้บาดเจ็บสาหัสได้

ข้อควรระวัง! ก่อนการทำงาน:

- ◆ เชื่อมต่อสายยางรดน้ำเข้ากับแหล่งจ่ายน้ำคุณสามารถ ใช้น้ำจากก๊อกน้ำหรือแหล่งจ่ายน้ำอื่นๆ ได้ดูที่ การล่อน้ำด้วยตัวเอง ในหัวข้อการเตรียมชุดเครื่องฉีดน้ำแรงดันสูง สำหรับการใช้งาน
- ◆ เชื่อมต่อสายยางแรงดันสูงเข้ากับเครื่องฉีดน้ำแรงดันสูง และตามพ่นสำหรับตำแหน่งต่างๆ เกี่ยวกับการ เชื่อมต่อ สายยางแรงดันสูงเข้ากับเครื่องฉีดน้ำแรงดันสูงและตามพ่น โปรดดูที่การใส่สายยางแรงดันสูง ในหัวข้อการประกอบ
- ◆ เชื่อมต่อสายยางรดน้ำเข้ากับเครื่องฉีดน้ำแรงดันสูง สำหรับตำแหน่งต่างๆ เกี่ยวกับการเชื่อมต่อแหล่งจ่ายน้ำเข้ากับเครื่องฉีดน้ำแรงดันสูง โปรดดูที่การใส่สายยางรดน้ำ ในหัวข้อการประกอบ
- ◆ เสียบสายไฟเข้าไปในแหล่งจ่ายไฟที่เหมาะสม

การเตรียมตัวพ่น

สำคัญ! ก่อนที่จะเปิดชุดเครื่องฉีดน้ำแรงดันสูง คุณจะ ต้องปลดล็อคสัญญาณ (6) และมีบัพกรณ์สัญญาณ (7)

- ◆ ปลดล็อคสัญญาณ (6)
- ◆ มีบัพกรณ์สัญญาณ (7) มีบัพกรณ์สัญญาณค้างไว้ 30 วินาที เพื่อล้างระบบอากาศ
- ◆ หากพบว่ายังคงมีอากาศอยู่ในกระแสน้ำ คุณจะต้อง ปลดปล่อยน้ำให้ไหลผ่านตามพ่นต่อไป

การเชื่อมต่อน้ำ



คำเตือน! ตามกฎข้อบังคับที่บังคับใช้นั้น คุณจะต้องไม่ใช้อุปกรณ์นี้กับโครงข่ายน้ำดื่มโดยเด็ดขาดหากไม่มีการใช้อุปกรณ์แยกระบบใช้อุปกรณ์แยกระบบ 61770 ประเภท BA น้ำที่ไหลผ่านอุปกรณ์แยกระบบจะไม่ถือว่าเป็นน้ำที่สามารถดื่มได้

- ◆ ปฏิบัติตามกฎข้อบังคับของบริษัทการประปาของคุณ
- ◆ สายยางสำหรับการเชื่อมต่อทั้งหมดจะต้องมีข้อต่อที่ได้รับการซีลอย่างเหมาะสม
- ◆ ตรวจสอบให้แน่ใจว่าสายยางจ่ายน้ำมีขนาดเส้นผ่าน

ศูนย์กลางอย่างน้อย 12.7 มม รวมถึงได้รับการเสริมแรง

- ◆ คุณจะต้องไม่ใช้อุปกรณ์นี้ในการจ่ายน้ำดื่ม โดยที่ไม่มีการใช้วาล์วป้องกันการไหลย้อนกลับน้ำที่ผ่าน วาล์วป้องกันการไหลย้อนกลับจะไม่ถือว่าเป็นน้ำที่สามารถดื่มได้

การทำความสะอาดพื้นผิว

- ◆ กดปุ่ม เปิด (17) เพื่อเริ่มต้นเครื่องฉีดน้ำแรงดันสูง
- ◆ ยืนยันว่า คุณได้เปิดก๊อกน้ำ หรือใช้ แหล่งจ่ายน้ำอื่น เพื่อให้น้ำได้รับการจัดหาไปยัง ชุดเครื่องฉีดน้ำแรงดันสูง
- ◆ มุมที่ดีที่สุดสำหรับการพ่นน้ำไปยังพื้นผิวที่จะทำความสะอาด คือ 45 องศา
 - ◆ การใช้หัวพ่นมักจะทำให้อนุภาคสิ่งสกปรกฝัง อยู่ในพื้นผิว
 - ◆ เมื่อทำงานกับพื้นผิวในแนวตั้ง ทางที่ดีที่สุดก็คือ การใช้ผงซักฟอกโดยเริ่มต้นจากด้านล่างและการทำงานขึ้นด้านบน ซึ่งจะป้องกันไม่ให้อุปกรณ์ไหลลงมา จนทำให้เกิดทางยาว
- ◆ ปลดปล่อยอุปกรณ์สัญญาณเพื่อปลดตามพ่นหมายเหตุ: แรงดันของมีมน้ำที่มากเกินไปอาจเป็นผลมาจาก หัวฉีดที่อุดตันปิดชุดเครื่องฉีดน้ำแรงดันสูง และถอดปลั๊กของอุปกรณ์ก่อนที่จะพยายามแก้ไขการอุดตันของหัวฉีดอยู่เสมอ

ผงซักฟอก (J1, J2, J3, J4)

สำหรับขั้นตอนในการใส่ผงซักฟอก/ชุดผสม โปรดดูที่ การใส่ชุดผสมในหัวข้อการประกอบ การใช้ผงซักฟอกสามารถลดเวลาทำความสะอาดลงเป็นอย่างมาก และช่วยกำจัดคราบที่เอาออกยากได้ผงซักฟอกบางตัวได้รับการปรับแต่งสำหรับการทำงานกับเครื่องฉีดน้ำแรงดันสูง เพื่อการทำความสะอาดที่เฉพาะเจาะจง พลังการทำความสะอาดของผงซักฟอกมาจากการใช้ผงซักฟอกกับพื้นผิว และการให้เวลาแก่สารเคมีในการสลาย สิ่งสกปรกและคราบสกปรกผงซักฟอกจะทำงานได้ดีที่สุดเมื่อได้รับการใช้งาน ที่แรงดันต่ำ การผสมผสานระหว่างการทำงานของสารเคมีกับการล้างแรงดันสูงจะมีประสิทธิภาพมาก บนพื้นผิวในแนวตั้ง ให้คุณใช้ผงซักฟอก โดยเริ่มจากด้านล่าง และทำงานของคุณขึ้นไปด้านบน การทำเช่นนี้จะป้องกันไม่ให้อุปกรณ์ไหลลงมาจนทำให้เกิดทางยาว การล้างแรงดันสูงต้องได้รับการดำเนินการจากด้านล่างขึ้นไปด้านบนโดยเฉพาะอย่างยิ่งสำหรับคราบที่กำจัดออกยาก คุณอาจจำเป็นต้องใช้แปรงร่วมกับผงซักฟอกและการล้างแรงดันสูง

การเคลื่อนย้ายเครื่องฉีดน้ำแรงดันสูง

- ◆ ปิดชุดเครื่องฉีดน้ำแรงดันสูง (16) โดยการกด ปุ่ม ปิด (17) จากนั้นจึงปิดแหล่งจ่ายน้ำ
- ◆ ซีกันพ่น (2) ไปในทิศทางที่ปลอดภัย และดึง

- อุปกรณ์สั่งงาน (7) เพื่อปล่อยแรงดันน้ำที่เหลือ
- ◆ มีก้านพ่นวางแปลาสนิท ให้คุณยกเครื่องฉีดน้ำแรงดันสูงขึ้น โดยใช้ตามจับ (18)

การปิดเครื่อง (รูป A, D)

- ◆ ปิดชุดเครื่องฉีดน้ำแรงดันสูง (16) โดยการหมุนหน้าปิดเปิด/ปิด (17) ไปที่ตำแหน่งปิด จากนั้นจึงถอดปลั๊กสายไฟออกจากเต้ารับไฟฟ้า
- ◆ ปิดน้ำที่ก๊อกน้ำ หรือตัดการเชื่อมต่อจาก แหล่งจ่ายน้ำอื่น
- ◆ ปล่อยแรงดันคงเหลือโดยการบีบอุปกรณ์สั่งงาน (7) จนกระทั่งไม่มีน้ำออกมาจากก้านพ่น (2) อีกต่อไป
- ◆ ใส่ล้อคอุปกรณ์สั่งงานเครื่องพ่น (6)
- ◆ ตัดการเชื่อมต่อสายยางรดน้ำ (28) จาก ทางน้ำเข้า (25)
- ◆ ตัดการเชื่อมต่อสายยางแรงดันสูง (1) จาก ทางน้ำออกแรงดันสูง (20) และสายน้ำทิ้ง

การล่อน้ำด้วยตัวเอง (รูป A, C, D, K1, K2, K3, K4)

- ◆ เชื่อมต่อสายยางของทางน้ำเข้าเข้ากับเครื่องฉีดน้ำแรงดันสูงสุดที่ การใส่สายยางรดน้ำในหัวข้อการประกอบ
- ◆ วางปลายด้านที่เป็นอิสระของสายยางพร้อมด้วยใส่กรองที่ใส่เข้าไปใน
- ◆ แหล่งจ่ายน้ำสำรอง (เช่น ถังน้ำ ฯลฯ)
- ◆ เชื่อมต่อสายยางแรงดันสูงเข้ากับตามพ่น โปรดดูที่ การใส่สายยางแรงดันสูงในหัวข้อ การประกอบ
- ◆ เปิดใช้งานเครื่องฉีดน้ำแรงดันสูงโดยการหมุนหน้าปิดเปิด/ปิดไปที่ตำแหน่งเปิด
- ◆ ปิดเครื่องฉีดน้ำแรงดันสูงทันทีที่น้ำพ่น ออกจากท่อน้ำออกของชุดเครื่องฉีดน้ำแรงดันสูง
- ◆ ถอดปลั๊กเครื่องฉีดน้ำแรงดันสูงออกจากแหล่งจ่ายไฟ
- ◆ ประกอบสายยางแรงดันสูงเข้ากับ ทางออกน้ำแรงดันสูง
- ◆ เสียบปลั๊กชุดเครื่องฉีดน้ำแรงดันสูงเข้าไปในแหล่งจ่ายไฟ
- ◆ เปิดใช้งานเครื่องฉีดน้ำแรงดันสูงโดยการหมุนหน้าปิดเปิด/ปิดไปที่ตำแหน่งเปิด
- ◆ เปิดใช้งานอุปกรณ์สั่งงานของตามพ่นเพื่อเริ่มต้น การทำความสะอาด

การบำรุงรักษา

คำเตือน! เพื่อลดความเสี่ยงจากการบาดเจ็บส่วนบุคคลร้ายแรง คุณจะต้องปิดอุปกรณ์ และตัดการเชื่อมต่ออุปกรณ์จากแหล่งจ่ายไฟ ก่อนที่จะทำการปรับแต่งหรือทำการถอด/การใส่อุปกรณ์ต่อพ่วงหรืออุปกรณ์เสริม การเริ่มต้นทำงานโดยไม่เจตนาสามารถก่อให้เกิดการบาดเจ็บได้

เครื่องมือไฟฟ้า BLACK+DECKER ของคุณได้รับการออกแบบมาเพื่อการใช้งาน เป็นระยะเวลานาน โดยต้องการแค่การบำรุงรักษาขั้นต่ำเท่านั้น

การทำงานที่นำพึงพอใจอย่างต่อเนื่องจะขึ้นอยู่กับ การดูแลเครื่องมือที่เหมาะสม และการทำความสะอาดเครื่องมืออย่างสม่ำเสมอ

การทำความสะอาด

คำเตือน! เป่าสิ่งสกปรกและฝุ่นละอองออกจากช่องระบายอากาศโดยใช้ลมที่แห้งและสะอาดอย่างน้อยสัปดาห์ละครั้ง สวมอุปกรณ์ป้องกันดวงตาที่ได้รับการอนุญาตอยู่เสมอ เมื่อต้องทำงานดังกล่าวเพื่อลดความเสี่ยงจากการบาดเจ็บดวงตา

คำเตือน! ห้ามใช้ตัวทำลายหรือสารเคมีรุนแรงในการทำความสะอาดชิ้นส่วนที่ไม่ได้เป็นโลหะของเครื่องมือ โดยเด็ดขาด สารเคมีดังกล่าว อาจทำให้วัสดุพลาสติกที่ ใช้ในชิ้นส่วนดังกล่าวอ่อนตัวลงได้ ใช้ผ้าชุบน้ำหมาดๆ กับสบู่อ่อนๆ เท่านั้นห้ามปล่อยให้ของเหลวใดก็ตาม เข้าไปที่ด้านในของเครื่องมือโดยเด็ดขาด ห้ามจุ่มส่วนใด ส่วนหนึ่งของเครื่องมือลงไปในของเหลว

การทำความสะอาดหัวฉีด (รูป G)

หากหัวฉีดเริ่มจะอุดตันเนื่องมาจากสิ่งแปลกปลอม เช่น สิ่งสกปรก อาจทำให้เกิดแรงดันส่วนเกินขึ้นได้หากหัวฉีดเริ่มจะอุดตันหรือถูกจำกัดเป็นบางส่วน แรงดันของปั๊มอาจจะเด่นเป็นจังหวะ

ทำความสะอาดหัวฉีดทันทีโดยใช้น้ำยาทำความสะอาดหัวฉีด

- ◆ ปิดและถอดปลั๊กของชุดเครื่องฉีดน้ำแรงดันสูง (16)
- ◆ ปิดแหล่งจ่ายน้ำ
- ◆ ดึงอุปกรณ์สั่งงาน (7) บนตามพ่น (4) เพื่อลด แรงดันน้ำ
- ◆ ถอดหัวฉีดออกจากก้านพ่น (2) โดยการกดปุ่ม (3)
- ◆ ใช้เครื่องมือทำความสะอาดหัวฉีด (14) กำจัดเศษที่อุดตันออกจากหัวฉีด
- ◆ ปล่อยน้ำจากก๊อกน้ำหรือสายยางรดน้ำผ่านหัวฉีด

การทำความสะอาดไส้กรอง (รูป A, L)

ตรวจสอบไส้กรอง (10) ก่อนการใช้งานในแต่ละครั้ง และทำความสะอาดไส้กรองในกรณีที่จำเป็น ถอดองค์ประกอบของไส้กรอง และนำไปวางใต้น้ำสะอาด เพื่อกำจัดเศษ

การจัดเก็บ (รูป H, I)

- ◆ จัดเก็บในที่แห้งและมืดขิดเหนืออุณหภูมิเยือกแข็ง จัดเก็บในที่ร่ม
- ◆ กำจัดน้ำออกจากสายยางแรงดันสูง ชุดเครื่องฉีดน้ำแรงดันสูง หัวฉีด และก้านพ่นให้หมดอยู่เสมอ
- ◆ คุณสามารถจัดเก็บหัวฉีดไว้ในอุปกรณ์ตามที่แสดงในรูป H ได้

หมายเหตุ: คุณสามารถจัดเก็บหัวฉีดเทอร์โบ หรือหัวฉีดแบบแคบและกว้างไว้ที่ก้านได้

- ◆ คุณสามารถจัดเก็บสายไฟโดยการม้วนขึ้นและยึดไว้กับตะขอเก็บสายไฟ (21) ตามที่แสดงในรูป I ได้
- ◆ คุณสามารถจัดเก็บสายยางแรงดันสูง (1) โดยการม้วนขึ้นและยึดไว้กับด้ามจับ (18) โดยใช้ตะขอและสายรัด (27) ตามที่แสดงในรูป I ได้
- ◆ คุณสามารถจัดเก็บด้ามพ่น (4) ไว้บนด้านหลังของชุดเครื่องฉีดน้ำแรงดันสูงโดยใช้แท่น (26) ตามที่แสดงในรูป I ได้
- ◆ คุณสามารถจัดเก็บก้านพ่น (2) ไว้ที่ด้านหลังของอุปกรณ์โดยใช้ที่ยึด (26) ตามที่แสดงในรูป I ได้

อุปกรณ์เสริม

คำเตือน! เนื่องจากอุปกรณ์เสริมอื่นนอกเหนือจากอุปกรณ์เสริมที่ได้รับการเสนอโดย BLACK+DECKER ไม่ได้รับการทดสอบกับผลิตภัณฑ์นี้ การใช้อุปกรณ์เสริมดังกล่าวกับเครื่องมือนี้จึงอาจเป็นอันตรายได้โดยเฉพาะอุปกรณ์เสริมของ BLACK+DECKER ซึ่งแนะนำสำหรับผลิตภัณฑ์นี้เท่านั้นเพื่อลดความเสี่ยงจากการบาดเจ็บ คุณสามารถหาซื้ออุปกรณ์เสริมที่แนะนำสำหรับการใช้งานกับเครื่องมือของคุณได้ในราคาพิเศษจากตัวแทนจำหน่ายท้องถิ่นหรือศูนย์บริการที่ได้รับการอนุญาตของคุณหากต้องการความช่วยเหลือเรื่องอุปกรณ์เสริมใดก็ตาม โปรดติดต่อที่ www.blackanddecker.com

การซ่อมแซม

คำเตือน! เพื่อให้แน่ใจถึงความปลอดภัยและความน่าเชื่อถือของผลิตภัณฑ์ การซ่อมแซม การบำรุงรักษา และการปรับแต่งต่างๆ (รวมถึงการตรวจสอบและการเปลี่ยนแปลง) จะต้องได้รับการดำเนินการโดยศูนย์บริการโรงงานของ BLACK+DECKER หรือศูนย์บริการที่ได้รับการอนุญาตของ BLACK+DECKER ใช้ชิ้นส่วนอะไหล่ของแท้อยู่เสมอ หากสายไฟชำรุดเสียหาย สายไฟดังกล่าวจะต้องได้รับการเปลี่ยนใหม่โดยผู้ผลิต ตัวแทนให้บริการของผู้ผลิต หรือผู้ที่มีความชำนาญในลักษณะเดียวกันเพื่อหลีกเลี่ยงอันตรายที่อาจเกิดขึ้น

การคุ้มครองสิ่งแวดล้อม



ทั้งแยกต่างหาก ต้องไม่นำผลิตภัณฑ์และแบตเตอรี่ที่มีสัญลักษณ์นี้ไปทิ้งร่วมกับของเสียในบ้านตามปกติ

ผลิตภัณฑ์และแบตเตอรี่มีวัสดุที่สามารถนำมาใช้ใหม่ได้ หรือนำมารีไซเคิลได้เพื่อเป็นการลดความต้องการด้านวัตถุดิบ โปรดรีไซเคิลผลิตภัณฑ์ไฟฟ้าและแบตเตอรี่ตามข้อบังคับในท้องถิ่น โปรดดูข้อมูลเพิ่มเติมที่ www.2helpU.com

ข้อมูลการให้บริการ

BLACK+DECKER มอบเครือข่ายเต็มรูปแบบของศูนย์บริการที่เป็นของบริษัทและศูนย์บริการที่ได้รับการอนุญาตทั่วเอเชีย ศูนย์บริการทั้งหมดของ BLACK+DECKER มีทีมงานและบุคลากรที่ได้รับการฝึกอบรมเป็นอย่างดีในการให้บริการและผลิตภัณฑ์ที่มีประสิทธิภาพและไว้วางใจได้แก่ลูกค้า

ติดต่อศูนย์บริการ BLACK+DECKER ใกล้คุณไม่ว่าคุณจะต้องการคำแนะนำด้านเทคนิค การซ่อมแซม หรือชิ้นส่วนสำหรับการเปลี่ยนที่เป็นของแท้จากโรงงานก็ตาม

หมายเหตุ

- ◆ ในนโยบายของ BLACK+DECKER คือการปรับปรุงผลิตภัณฑ์ของเราอย่างต่อเนื่อง ด้วยเหตุนี้ เราจึงขอสงวนสิทธิ์ในการเปลี่ยนแปลงข้อมูลจำเพาะของผลิตภัณฑ์โดยไม่จำเป็นต้องแจ้งให้ทราบล่วงหน้า
- ◆ อุปกรณ์และอุปกรณ์เสริมมาตรฐานอาจแตกต่างกันออกไปในแต่ละประเทศ
- ◆ ข้อมูลจำเพาะของผลิตภัณฑ์อาจแตกต่างกันออกไปในแต่ละประเทศ
- ◆ ฟิล์มผลิตภัณฑ์ที่ครบถ้วนอาจไม่สามารถหาซื้อได้ในทุกประเทศ
- ◆ ติดต่อตัวแทนจำหน่าย BLACK+DECKER ในท้องถิ่นของคุณเพื่อสอบถามเกี่ยวกับความพร้อมใช้งาน

การแก้ไขปัญหา

คำเตือน! ความเสี่ยงจากการใช้งานที่ไม่ปลอดภัยก่อนที่จะทำการบำรุงรักษาอุปกรณ์ คุณจะต้องถอดปลั๊กหรือตัดการเชื่อมต่อแหล่งจ่ายไฟ ปิดแหล่งจ่ายน้ำ ปลอยแรงดันคงเหลือ และใส่ล๊อคตามพจน

ปัญหา	สาเหตุ	การแก้ไข
มอเตอร์ไม่เริ่มต้น	ไม่ได้เสียบปลั๊กอุปกรณ์	เสียบสายไฟ
	สวิตช์เปิด/ปิดอยู่ในตำแหน่งปิด	หมุนสวิตช์ไปที่ตำแหน่ง "เปิด"
	ไม่ได้บีบอุปกรณ์สั่งงานก้าน	บีบอุปกรณ์สั่งงานโดยให้สวิตช์อยู่ในตำแหน่ง "เปิด"
อุปกรณ์ไม่ขึ้นถึงแรงดันในระดับสูง	ไม่ได้เปิดก๊อกน้ำจนสุด	ไม่ได้เปิดวาล์วน้ำจนสุด
	ใส่กรองทางเข้าน้ำอุดตัน	ถอดใส่กรองออก และล้างน้ำทำความสะอาด
	หัวฉีดสึกหรอ	เปลี่ยนเป็นหัวฉีดใหม่
	บิมน้ำดูดอากาศ	ตรวจสอบว่าลมเข้าไปในสายยางและฟิตติ้งไม่ได้ใช้หรือไม่ปิดเครื่อง และล้างบิมน้ำโดยการบีบไกอุปกรณ์สั่งงานจนกระทั่งมีน้ำไหลออกมาจากหัวฉีดอย่างต่อเนื่อง
	การจ่ายน้ำถูกจำกัด	ตรวจสอบสายยางเพื่อหาการหักงอ การรั่ว และการอุดตัน
	ชุดเครื่องฉีดน้ำไม่มีการล่อน้ำด้วยตัวเองที่เหมาะสม	ดูที่การล่อน้ำด้วยตัวเองในหัวข้อการประกอบ
แรงดันขาออกสูง/ต่ำแตกต่างกันออกไป	การจ่ายน้ำตรงทางน้ำเข้าไม่มากพอ	เปิดน้ำให้สุดแรง ตรวจสอบสายยางเพื่อหาการรั่วและการหักงอ
	บิมน้ำดูดอากาศ	ตรวจสอบว่าลมเข้าไปในสายยางและฟิตติ้งไม่ได้ใช้หรือไม่ปิดเครื่อง และล้างบิมน้ำโดยการบีบไกอุปกรณ์สั่งงานจนกระทั่งมีน้ำไหลออกมาจากหัวฉีดอย่างต่อเนื่อง
	ตะแกรงของทางน้ำเข้าอุดตัน	ล้างด้วยน้ำเพื่อแก้ไขการอุดตัน
	หัวฉีดดิสชาร์จถูกกีดขวาง	เป่าหรือกำจัดเศษ
การเชื่อมต่อสายยางรดน้ำรั่ว	ฟิตติ้งหลวม	ขันฟิตติ้งให้แน่น
	แหวนรองยางหาย/สึกหรอ	เปลี่ยนแหวนรองในข้อต่อลดขนาดสายยาง
ก้านพนรั่ว	ไม่ได้ใส่ก้านพนอย่างเหมาะสม	ใส่ก้านพนเข้าไปในตำพนต้นเข้าและหมุนเพื่อล๊อคก้านพนให้อยู่กับที่
	โอริงแตกหัก	ติดต่อตัวแทนจำหน่ายท้องถิ่นของคุณ
บิมน้ำเสียงดังเกินไป	บิมน้ำดูดอากาศ	ตรวจสอบว่าลมเข้าไปในสายยางและฟิตติ้งไม่ได้ใช้หรือไม่ปิดเครื่อง และล้างบิมน้ำโดยการบีบไกอุปกรณ์สั่งงานจนกระทั่งมีน้ำไหลออกมาจากหัวฉีดอย่างต่อเนื่อง
น้ำรั่วออกมาจากบิมน้ำ	ฟิตติ้งหลวม	ตรวจสอบว่าฟิตติ้งทั้งหมดแน่นหรือไม่
	ซิลบิมน้ำเสียหายหรือสึกหรอ	ติดต่อตัวแทนจำหน่ายท้องถิ่นของคุณ
น้ำมันรั่ว	ซิลก้านน้ำมันเสียหายหรือสึกหรอ	ติดต่อตัวแทนจำหน่ายท้องถิ่นของคุณ

ปัญหา	สาเหตุ	การแก้ไข
มอเตอร์ส่งเสียงดังแต่ไม่ทำงาน	การจ่ายแรงดันไฟฟ้าต่ำกว่าค่าขั้นต่ำ	ตรวจสอบว่า มีเฉพาะเครื่องฉีดน้ำแรงดันสูงนี้ที่ทำงานกับวงจรนี้ใช่หรือไม่
	ระบบมีแรงดันคงเหลือ	ปิดเครื่อง บีบอุปกรณ์ส่งงานบนก้านพ่นเพื่อปล่อยแรงดัน จากนั้นจึงเปิดเครื่อง
	การสูญเสียแรงดันไฟฟ้าเนื่องจากปลั๊กตอพง	เสียบปลั๊กเข้าไปในเต้ารับโดยตรง
	ไม่ได้ใช้เครื่องฉีดน้ำมาเป็นเวลานาน	ติดต่อตัวแทนจำหน่ายท้องถิ่นของคุณ
ไม่มีผงซักฟอก	ภาชนะใส่ผงซักฟอกว่างเปล่า	ใส่ผงซักฟอกเพิ่ม
	ไม่ได้เชื่อมต่อขวดหรือท่อดูดผงซักฟอกอย่างเหมาะสม	ตรวจสอบการเชื่อมต่อ
	ผงซักฟอกหนาเกินไป	ใช้ผงซักฟอกที่แนะนำสำหรับการใช้กับเครื่องฉีดน้ำแรงดันสูงเท่านั้น
	ใส่กรอบบนท่อดูดผงซักฟอกอุดตัน	เปิดน้ำอุ่นผ่านใส่กรอบเพื่อกำจัดเศษ
	ท่อดูดผงซักฟอกชำรุดเสียหายหรืออุดตัน	กำจัดสิ่งกีดขวาง หรือเปลี่ยนท่อดูดผงซักฟอก
	หัวฉีดดิสซาร์จถูกกีดขวาง	เป่าหรือกำจัดเศษ

Black & Decker (U.S.) Inc.
701 ถนนอีสต์ ยอพพา ทาวสัน รัฐแมริแลนด์ 21286
สหรัฐอเมริกา

