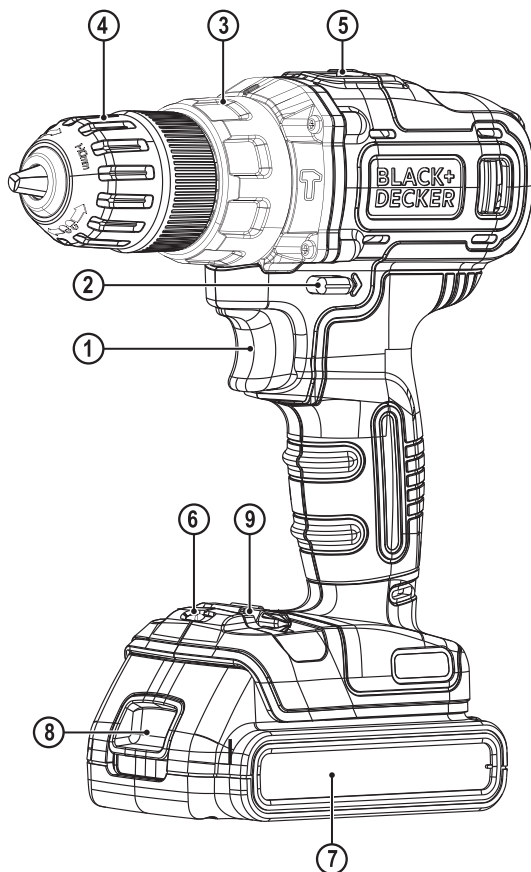
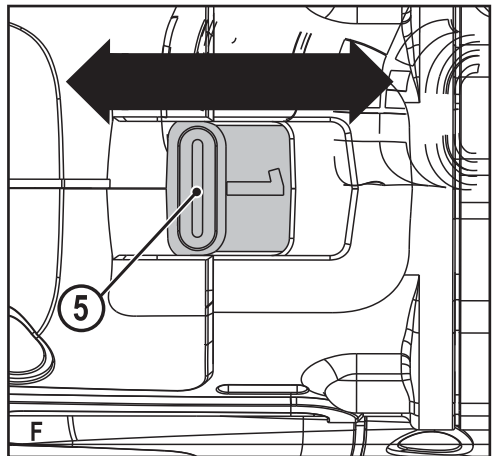
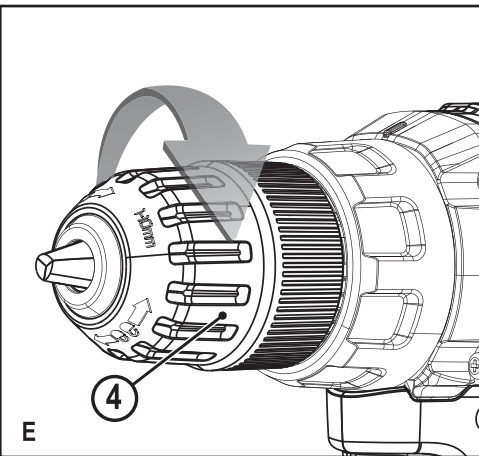
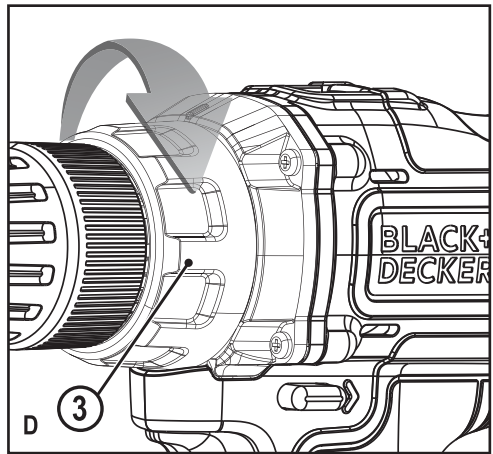
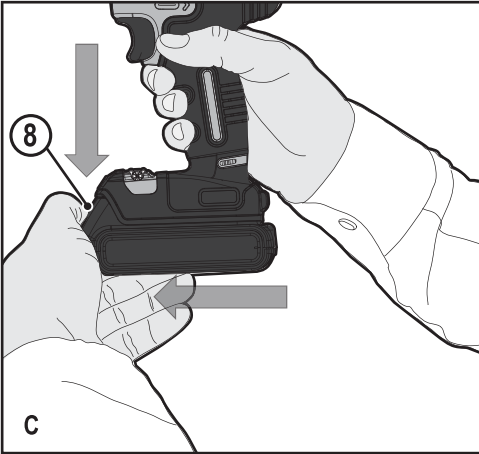
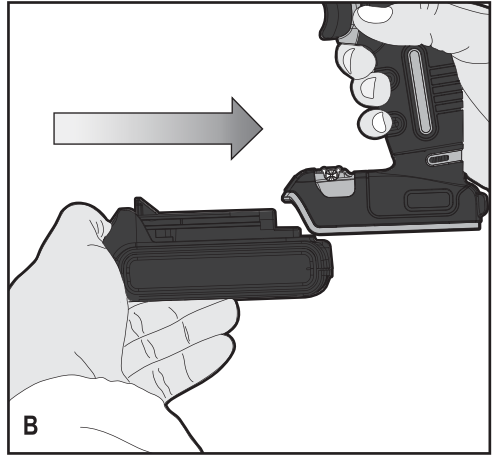
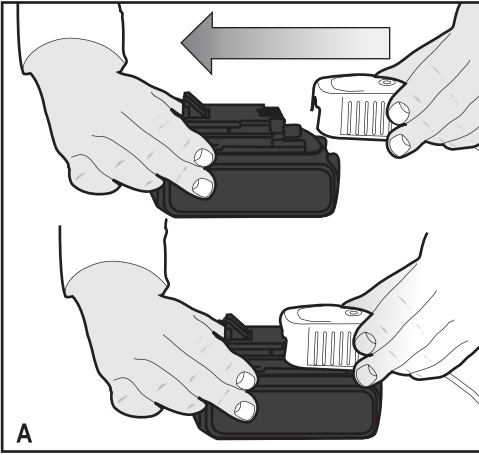


BLACK+ DECKER™



BDCHD18

English	3
繁體中文	9
INDONESIA	14
ภาษาไทย	21



BDCHD18 HAMMER DRILL

Technical data

		BDCHD18
Voltage	V_{DC}	18
No-load speed	Min^{-1}	0-360/0-1400
Max. torque	Nm	17.5/40
Chuck capacity	mm	1-10
Max Drilling capacity		
Steel/wood/Masonry	mm	10/25/10
Weight	kg	0,90 (with battery 1.30)

Charger	905902**	B1	TWZZ	KR
Input voltage	V_{AC}	100-240	120	100-240
Output voltage	V_{DC}	8-20	8-20	24V
Current	mA	400	400	400
Approx. charge time	Hours	4 - 10	4 - 10	4 - 10

Charger	905998**			
Input voltage	V_{AC}	220-240		
Output voltage	V_{DC}	18		
Current	Amp	1		
Approx. charge time	Hours	1.5 - 4		

Battery	BL1518	
Voltage	V_{DC}	18
Capacity	Ah	1.5
Type	Li-Ion	

Battery	BL2018	
Voltage	V_{DC}	18
Capacity	Ah	2.0
Type	Li-Ion	

Battery	BL4018	
Voltage	V_{DC}	18
Capacity	Ah	4.0
Type	Li-Ion	

Intended use

Your BLACK+DECKER BDCHD18 - HAMMER Drill, has been designed for screwdriving applications and for drilling in wood, metal and masonry. This tool is intended for consumer use only.

Safety instructions

General power tool safety warnings



Warning! Read all safety warnings and all instructions. Failure to follow the warnings and instructions listed below may result in electric shock, fire and/or serious injury.

Save all warnings and instructions for future reference.

The term "power tool" in all of the warnings listed below refers to your mains operated (corded) power tool or battery operated (cordless) power tool.

1. Work area safety

- Keep work area clean and well lit.** Cluttered or dark areas invite accidents.
- Do not operate power tools in explosive atmospheres, such as in the presence of flammable liquids, gases or dust.** Power tools create sparks which may ignite the dust or fumes.
- Keep children and bystanders away while operating a power tool.** Distractions can cause you to lose control.

2. Electrical safety

- Power tool plugs must match the outlet. Never modify the plug in any way. Do not use any adapter plugs with earthed (grounded) power tools.** Unmodified plugs and matching outlets will reduce risk of electric shock.
- Avoid body contact with earthed or grounded surfaces such as pipes, radiators, ranges and refrigerators.** There is an increased risk of electric shock if your body is earthed or grounded.
- Do not expose power tools to rain or wet conditions.** Water entering a power tool will increase the risk of electric shock.
- Do not abuse the cord. Never use the cord for carrying, pulling or unplugging the power tool. Keep cord away from heat, oil, sharp edges or moving parts.** Damaged or entangled cords increase the risk of electric shock.
- When operating a power tool outdoors, use an extension cord suitable for outdoor use.** Use of a cord suitable for outdoor use reduces the risk of electric shock.
- If operating a power tool in a damp location is unavoidable, use a residual current device (RCD) protected supply.** Use of an RCD reduces the risk of electric shock.

3. Personal safety

- a. **Stay alert, watch what you are doing and use common sense when operating a power tool. Do not use a power tool while you are tired or under the influence of drugs, alcohol or medication.** A moment of inattention while operating power tools may result in serious personal injury.
- b. **Use personal protective equipment. Always wear eye protection.** Protective equipment such as dust mask, non-skid safety shoes, hard hat, or hearing protection used for appropriate conditions will reduce personal injuries.
- c. **Prevent unintentional starting. Ensure the switch is in the off-position before connecting to power source and/or battery pack, picking up or carrying the tool.** Carrying power tools with your finger on the switch or energising power tools that have the switch on invites accidents.
- d. **Remove any adjusting key or wrench before turning the power tool on.** A wrench or a key left attached to a rotating part of the power tool may result in personal injury.
- e. **Do not overreach. Keep proper footing and balance at all times.** This enables better control of the power tool in unexpected situations.
- f. **Dress properly. Do not wear loose clothing or jewellery. Keep your hair, clothing and gloves away from moving parts.** Loose clothes, jewellery or long hair can be caught in moving parts.
- g. **If devices are provided for the connection of dust extraction and collection facilities, ensure these are connected and properly used.** Use of dust collection can reduce dust-related hazards.

4. Power tool use and care

- a. **Do not force the power tool. Use the correct power tool for your application.** The correct power tool will do the job better and safer at the rate for which it was designed.
- b. **Do not use the power tool if the switch does not turn it on and off.** Any power tool that cannot be controlled with the switch is dangerous and must be repaired.
- c. **Disconnect the plug from the power source and/or the battery pack from the power tool before making any adjustments, changing accessories, or storing power tools.** Such preventive safety measures reduce the risk of starting the power tool accidentally.
- d. **Store idle power tools out of the reach of children and do not allow persons unfamiliar with the power tool or these instructions to operate the power tool.** Power tools are dangerous in the hands of untrained users.

- e. **Maintain power tools. Check for misalignment or binding of moving parts, breakage of parts and any other condition that may affect the power tools operation. If damaged, have the power tool repaired before use.** Many accidents are caused by poorly maintained power tools.
- f. **Keep cutting tools sharp and clean.** Properly maintained cutting tools with sharp cutting edges are less likely to bind and are easier to control.
- g. **Use the power tool, accessories and tool bits etc. in accordance with these instructions, taking into account the working conditions and the work to be performed.** Use of the power tool for operations different from those intended could result in a hazardous situation.

5. Battery tool use and care

- a. **Recharge only with the charger specified by the manufacturer.** A charger that is suitable for one type of battery pack may create a risk of fire when used with another battery pack.
- b. **Use power tools only with specifically designated battery packs.** Use of any other battery packs may create a risk of injury and fire.
- c. **When battery pack is not in use, keep it away from other metal objects, like paper clips, coins, keys, nails, screws, or other small metal objects, that can make a connection from one terminal to another.** Shorting the battery terminals together may cause burns or a fire.
- d. **Under abusive conditions, liquid may be ejected from the battery; avoid contact. If contact accidentally occurs, flush with water. If liquid contacts eyes, additionally seek medical help.** Liquid ejected from the battery may cause irritation or burns.

6. Service

- a. **Have your power tool serviced by a qualified repair person using only identical replacement parts.** This will ensure that the safety of the power tool is maintained.

Additional power tool safety warnings



Warning! Additional safety warnings for drills

- ◆ **Use auxiliary handles supplied with the tool.** Loss of control can cause personal injury.
- ◆ **Hold power tool by insulated gripping surfaces when performing an operation where the cutting accessory may contact hidden wiring.** Cutting accessory contacting a "live" wire may make exposed metal parts of the power tool "live" and could give the operator an electric shock.

- ◆ **Hold power tool by insulated gripping surfaces, when performing an operation where the fastener may contact hidden wiring.** Fasteners contacting a "live" wire may make exposed metal parts of the power tool "live" and could give the operator an electric shock.
- ◆ **Use clamps or another practical way to secure and support the workpiece to a stable platform.** Holding the work by hand or against your body leaves it unstable and may lead to loss of control.
- ◆ Before drilling into walls, floors or ceilings, check for the location of wiring and pipes.
- ◆ Avoid touching the tip of a drill bit just after drilling, as it may be hot.
- ◆ The intended use is described in this instruction manual. The use of any accessory or attachment or performance of any operation with this tool other than those recommended in this instruction manual may present a risk of personal injury and/or damage to property.

Safety of others

- ◆ This tool is not intended for use by persons (including children) with reduced physical, sensory or mental capabilities, or lack of experience and knowledge, unless they have been given supervision or instruction concerning use of the tool by a person responsible for their safety.
- ◆ Children should be supervised to ensure that they do not play with the appliance.

Residual risks

Additional residual risks may arise when using the tool which may not be included in the enclosed safety warnings. These risks can arise from misuse, prolonged use etc. Even with the application of the relevant safety regulations and the implementation of safety devices, certain residual risks can not be avoided. These include:

- ◆ Injuries caused by touching any rotating/moving parts.
- ◆ Injuries caused when changing any parts, blades or accessories.
- ◆ Injuries caused by prolonged use of a tool. When using any tool for prolonged periods ensure you take regular breaks.
- ◆ Impairment of hearing.
- ◆ Health hazards caused by breathing dust developed when using your tool (example:- working with wood, especially oak, beech and MDF.)

Labels on tool

The following symbols are shown on the tool along with the date code:



Warning! To reduce the risk of injury, the user must read the instruction manual.

Additional safety instructions for batteries and chargers (Not provided with the tool)

Batteries

- ◆ Never attempt to open for any reason.
- ◆ Do not expose the battery to water.
- ◆ Do not store in locations where the temperature may exceed 40 °C.
- ◆ Charge only at ambient temperatures between 10 °C and 40 °C.
- ◆ Charge only using the charger provided with the tool.
- ◆ When disposing of batteries, follow the instructions given in the section "Protecting the environment".



Do not attempt to charge damaged batteries.

Chargers

- ◆ Use your BLACK+DECKER charger only to charge the battery in the tool with which it was supplied. Other batteries could burst, causing personal injury and damage.
- ◆ Never attempt to charge non-rechargeable batteries.
- ◆ Have defective cords replaced immediately.
- ◆ Do not expose the charger to water.
- ◆ Do not open the charger.
- ◆ Do not probe the charger.



The charger is intended for indoor use only.



Read the instruction manual before use.

Electrical safety



Your charger is double insulated; therefore no earth wire is required. Always check that the mains voltage corresponds to the voltage on the rating plate. Never attempt to replace the charger unit with a regular mains plug.

- ◆ If the supply cord is damaged, it must be replaced by the manufacturer or an authorised BLACK+DECKER Service Centre in order to avoid a hazard.

Features

This tool includes some or all of the following features.

1. Variable speed switch
2. Forward/reverse slider
3. Torque adjustment collar
4. Keyless chuck
5. Dual range gearing
6. LED work light
7. Battery
8. Battery release button
9. Screwdriver bit holder

Assembly

Use

Warning! Let the tool work at its own pace. Do not overload.

Charging the battery (fig. A)

The battery needs to be charged before first use and whenever it fails to produce sufficient power on jobs that were easily done before. The battery may become warm while charging; this is normal and does not indicate a problem.

Warning! Do not charge the battery at ambient temperatures below 10 °C or above 40 °C. Recommended charging temperature: approx. 24 °C.

Note: The charger will not charge a battery if the cell temperature is below approximately 10 °C or above 40 °C. The battery should be left in the charger and the charger will begin to charge automatically when the cell temperature warms up or cools down.

- ◆ Plug the charger into any standard 230 Volts 50 Hz electrical outlet.
- ◆ Slide the battery pack into the charger as shown in fig. A.
- ◆ The green LED will flash indicating that the battery is being charged.
- ◆ The completion of charge is indicated by the green LED remaining on continuously. The pack is fully charged and may be used at this time or left on the charger.

Warning! fire Hazard. When disconnecting the charger from the tool, be sure to unplug the charger from the outlet first, then disconnect the charger cord from the tool.

Installing and removing the battery pack from the tool (fig. B)

Warning! Make certain the lock-off button is engaged to prevent switch actuation before removing or installing battery.

To install battery pack:

- ◆ Insert battery pack into tool, until an audible click is heard (fig. B)

Removing the battery pack from the tool (fig. C)

- ◆ Depress the battery release button as shown in (fig. C) and pull battery pack out of tool.

Operating Instructions

Trigger switch & reversing button

- ◆ The drill is turned ON and OFF by pulling and releasing the trigger switch (1). The farther the trigger is depressed, the higher the speed of the drill.
- ◆ A forward/reverse control button (2) determines the direction of the tool and also serves as a lock off button.
- ◆ To select forward rotation, release the trigger switch and depress the forward/reverse control button to the left.
- ◆ To select reverse, depress the forward/reverse control button the opposite direction.

Note: The center position of the control button locks the tool in the off position. When changing the position of the control button, be sure the trigger is released.

Torque control (fig.D)

This tool is fitted with a torque adjustment collar (3) to select the operating mode and to set the torque for tightening screws. Large screws and hard workpiece materials require a higher torque setting than small screws and soft workpiece materials.

- ◆ For drilling in wood, metal and plastics, set the collar to the drilling position symbol
- ◆ For screwdriving, set the collar to the desired setting. If you do not yet know the appropriate setting, proceed as follows:
 - ◆ Set the collar to the lowest torque setting.
 - ◆ Tighten the first screw.
 - ◆ If the clutch ratchets before the desired result is achieved, increase the collar setting and continue tightening the screw. Repeat until you reach the correct setting. Use this setting for the remaining screws.

Keyless chuck (fig. E)

Warning! Make certain the lock-off button is engaged to prevent switch actuation before installing or removing accessories.

To insert a drill bit or other accessory:

- ◆ Grasp the rear half of the chuck (4) with one hand and use your other hand to rotate the front half in the counterclockwise direction, as viewed from the chuck end.
- ◆ Insert the bit or other accessory fully into the chuck, and tighten securely by holding the rear half of the chuck and rotating the front portion in the clockwise direction as viewed from the chuck end.

Warning! Do not attempt to tighten drill bits (or any other accessory) by gripping the front part of the chuck and turning the tool on. Damage to the chuck and personal injury may occur when changing accessories.

Dual range gearing (Figure F)

The dual range feature of your drill allows you to shift gears for greater versatility. To select low speed, high torque setting (position 1), turn tool off and permit to stop. Slide gear shifter button (5) away from the chuck. To select the high speed, low torque setting (position 2), turn tool off and permit to stop. Slide gear shifter button towards the chuck.

Note: Do not change gears when tool is running. If you are having trouble changing gears, make sure that the dual range gear button is either completely pushed forward or completely pushed back.

Drilling/screwdriving

- ◆ Select forward or reverse rotation using the forward/reverse slider (2).
- ◆ To switch the tool on, press the switch (1). The tool speed depends on how far you press the switch.
- ◆ To switch the tool off, release the switch.

Hints for optimum use

Drilling

- ◆ Use sharp drill bits only.
- ◆ Support and secure work properly, as instructed in the Safety Instructions.
- ◆ Use appropriate and required safety equipment, as instructed in the Safety Instructions.
- ◆ Secure and maintain work area, as instructed in the Safety Instructions.
- ◆ Run the drill very slowly, using light pressure, until the hole is started enough to keep the drill bit from slipping out of it.
- ◆ Apply pressure in a straight line with the bit. Use enough pressure to keep the bit biting but not so much as to stall the motor or deflect the bit.
- ◆ Hold the drill firmly with two hands to control its twisting action.
- ◆ DO NOT CLICK THE TRIGGER OF A STALLED DRILL OFF AND ON IN AN ATTEMPT TO START IT. DAMAGE TO THE DRILL CAN RESULT.
- ◆ Minimize stalling or breakthrough by reducing pressure and slowly drilling through the last part of the hole.
- ◆ Keep the motor running while pulling the bit out of a drilled hole. This will help reduce jamming.
- ◆ Make sure switch turns drill on and off.

Drilling in wood

Holes in wood can be made with the same twist drill bits used for metal or with spade bits. These bits should be sharp and should be pulled out frequently when drilling to clear chips from the flutes.

Drilling in metal

Use a cutting lubricant when drilling metals. The exceptions are cast iron and brass which should be drilled dry. The cutting lubricants that work best are sulfurized cutting oil or lard oil.

Drilling in masonry

For drilling in masonry, set the collar (3) to the hammer drilling position by aligning the symbol with the marking. Slide the speed selector (5) towards the front of the tool (2nd gear).

Screwdriving

- ◆ Always use the correct type and size of screwdriver bit.
- ◆ If screws are difficult to tighten, try applying a small amount of washing liquid or soap as a lubricant.
- ◆ Always hold the tool and screwdriver bit in a straight line with the screw

Troubleshooting

Problem	Possible cause	Possible solution
Unit will not start.	Battery pack not charged.	Check battery pack charging requirements
Battery pack will not charge.	Charger not plugged in. Surrounding air temperature too hot or too cold.	Plug charger into a working outlet. Move charger and battery pack to a surrounding air temperature of above 40 degrees F (45°C) or below 105 degrees F (+40.5°C)
Unit shuts off abruptly.	Battery pack has reached its maximum thermal limit. Out of charge. (To maximize the life of the battery pack it is designed to shutoff abruptly when the charge is depleted)	Allow battery pack to cool down. Place on charger and allow to charge.

Maintenance

Your BLACK+DECKER tool has been designed to operate over a long period of time with a minimum of maintenance. Continuous satisfactory operation depends upon proper tool care and regular cleaning. Your charger does not require any maintenance apart from regular cleaning.

Warning! Before performing any maintenance on the tool, remove the battery from the tool. Unplug the charger before cleaning it.

- ◆ Regularly clean the ventilation slots in your tool and charger using a soft brush or dry cloth.
- ◆ Regularly clean the motor housing using a damp cloth. Do not use any abrasive or solvent-based cleaner.
- ◆ Regularly open the chuck and tap it to remove any dust from the interior.

Protecting the environment.



Separate collection. This product must not be disposed of with normal household waste.

needs replacement, or if it is of no further use to you, do not dispose of it with household waste. Make this product available for separate collection.



Separate collection of used products and packaging allows materials to be recycled and used again.

Re-use of recycled materials helps prevent environmental pollution and reduces the demand for raw materials.

Service Information

Black & Decker offers a full network of company-owned and authorized service locations throughout Asia. All Black & Decker Service Centers are staffed with trained personnel to provide customers with efficient and reliable product service.

Whether you need technical advice, repair, or genuine factory replacement parts, contact the Black & Decker location nearest to you.

NOTE

- ◆ Black & Decker's policy is one of continuous improvement to our products and, as such, we reserve the right to change product specifications without prior notice.
- ◆ Standard equipment and accessories may vary by country.
- ◆ Product specifications may differ by country.
- ◆ Complete product range may not be available in all countries.

Contact your local Black & Decker dealers for range availability.

Batteries



There are no user servicable parts inside.

- ◆ At the end of your products life return the whole unit to your service agent or to a local recycling station to have the battery recycled. Do not throw the unit out with household waste.

BDCHD18

震動電鑽

技術資料

BDCHD18				
電壓	V_{DC}	18		
空載轉速	Min^{-1}	0-360/0-1400		
最大扭矩	Nm	17.5/40		
夾頭尺寸	mm	1-10		
最大鑽孔能力				
鋼材/木材/石材	mm	10/25/10		
重量	kg	0.90 (若含電池則為 1.30)		
充電器				
	905902**	B1	TWZZ	KR
輸入電壓	V_{AC}	100-240	110	100-240
輸出電壓	V_{DC}	8-20	8-20	24V
電流	mA	400	400	400
大約充電時間 (BL1518)	小時	4	4	4
電池				
	BL1518			
電壓	V_{DC}	18		
容量	Ah	1.5		
類型	鋰離子電池			

請注意! 各地區上市產品/配件不盡相同, 請依台灣繁體中文說明書的內容為主。

Warning! Attachments and accessories are not the same in each region, please only refer to Taiwan Traditional Chinese description in this manual.

設計用途

您的 BLACK+DECKER BDCHD18 電錘鑽設計用於螺旋應用以及在木材、金屬及石材上鑽孔。本工具僅供一般 DIY 消費者家庭使用, 營業使用者不適用一年保條款。

安全指示

電動工具一般安全警告



警告! 請閱讀所有安全警告及指示。若不遵循以下所示警告及指示, 可能會導致觸電、火災及/或嚴重傷害。

請妥善保存所有警告及指示以備將來查閱。

以下所示所有警告中的術語「電動工具」係指由電源供電(插電式)或由電池供電(充電式)的電動工具。

1. 工作場地安全

- 請保持工作場地清潔明亮。雜亂或黑暗的場地會引發事故。
- 請勿在易爆環境(例如存在易燃液體、氣體或粉塵的環境)中操作電動工具。電動工具產生的火花可能會引燃粉塵或煙霧。
- 操作電動工具時, 請遠離兒童與旁觀者。分心會導致您疏於控制。

2. 電氣安全

- 電動工具插頭必須與插座相符。切勿以任何方式改裝插頭。請勿將接地的電動工具與任何配接器插頭搭配使用。使用未經改裝的插頭與相符的插座可降低觸電風險。
- 請避免人體接觸接地表面(例如管道、散熱片、爐灶及冰箱)。若您的身體接地, 會提高觸電的風險。
- 請勿將電動工具暴露在雨中或潮濕環境中。水進入電動工具會提高觸電風險。
- 請勿濫用電線。切勿使用電線來搬運、拉動電動工具或拔出插頭。請讓電線遠離熱、油、銳邊或活動部件。受損或纏繞的電線會提高觸電風險。
- 在室外操作電動工具時, 請使用適合室外使用的延長電纜。採用適合室外使用的電線可降低觸電危險。
- 若必須在潮濕環境中操作電動工具, 請使用受漏電保護器(RCD)保護的電源供應器。使用 RCD 可降低觸電風險。

3. 人身安全

- 操作電動工具時, 請保持警覺、留意所執行的操作並運用常識。請勿在疲倦或在受到毒品、酒精或藥物的影響時使用電動工具。操作電動工具時, 一時的注意力分散可能會導致嚴重人身傷害。
- 請使用人身防護設備。始終佩戴護目裝置。防護設備(例如在適當條件下使用的防塵面具、防滑安全鞋、安全帽或聽力保護裝置)可減少人身傷害。
- 避免意外啟動。在連接至電源及/或電池組、抬起或搬運工具之前, 請確保開關處於關閉位置。若搬運電動工具時將手指放在開關上, 或者在電動工具開關開啟時將插頭插入電源插座, 這兩種行為都會引發事故。
- 開啟電動工具之前, 請卸下所有調整鑰匙或扳手。電動工具旋轉部件上遺留的扳手或鑰匙可能會導致人身傷害。
- 請勿過度伸張雙手。時刻注意腳下與身體的平衡。如此可在意外情況下更好地控制電動工具。

- f. 穿著適當。請勿穿著寬鬆衣服或佩戴飾品。讓頭髮、衣服及手套遠離活動部件。寬鬆衣服、佩飾或長髮可能會捲入活動部件中。
- g. 若為連接除塵與集塵設備而提供裝置，請確保妥善連接及正確使用。使用集塵設備可降低與粉塵有關的危險。

4. 電動工具的使用與維護

- a. 請勿超負荷使用電動工具。請根據您的應用使用正確的電動工具。若使用的電動工具正確無誤，該工具能以設計額定值更有效、更安全地執行工作。
- b. 若開關無法開啟或關閉本電動工具，請勿使用。若開關無法控制電動工具，則電動工具存在危險，必須予以維修。
- c. 在執行任何調整、變更配件或存放電動工具之前，必須從電源上拔出插頭及/或卸下電動工具的電池組。此類防護性安全措施可降低電動工具意外啟動的風險。
- d. 請將閒置的電動工具存放在兒童無法接觸的地方，請勿讓不熟悉電動工具或這些指示的人員操作電動工具。未經訓練的使用者操作電動工具會發生危險。
- e. 維護電動工具。請檢查是否存在活動部件未對準或卡住、部件破損以及可能影響電動工具運作的其他任何狀況。若電動工具有損傷，請先維修，後使用。許多事故都因電動工具維護不善所導致。
- f. 請保持刀具鋒利清潔。妥善維護、刀刃鋒利的刀具卡住的可能性更低，更易於控制。
- g. 遵循使用指示以及工作條件和所要執行的工作使用電動工具、配件和工具刀頭等。若使用電動工具執行與設計用途不相符的操作，會導致危險。

5. 電池工具的使用與注意事項

- a. 只能使用製造廠商指定的充電器為電池充電。使用僅適合一種電池組的充電器為其他類型的電池組充電會導致火災危險。
- b. 請使用原廠的電動工具電池組。使用其他非原廠的電池組會導致人身傷害和火災危險。
- c. 不使用電池組時，請將其遠離如迴紋針、硬幣、鑰匙、釘子、螺絲以及其他可連通電池兩極的金屬物品。將電池兩極短路會導致灼傷或火災。
- d. 濫用電池的情況下，液體會從電池中噴出；避免與液體接觸。若不慎接觸液體，請用清水沖洗。若液體噴濺到眼睛上，沖洗之後還要進行治療。從電池噴出的液體會刺激皮膚或造成灼傷。

6. 維修

- a. 電動工具之修理，僅可由認證的技術人員執行。請勿交由非百得認證服務中心的認證技術人員進行修理、維護、調整。若產品經由非百得認證的維修工程師拆解、組裝、調整，恕無法適用百得一年家用保修條款。為充份發揮其功能，修理、

維護、調整請務必使用原廠零件。如此可確保維持電動工具的安全性。

電動工具的附加安全警告



警告！電鑽之附加安全警告

- ◆ 請使用工具隨附的輔助手柄。工具失控會導致人身傷害。
- ◆ 若在執行操作時切削配件可能會接觸隱藏的電線，請從絕緣手柄表面握住電動工具。若切削配件接觸到「帶電」導線，電動工具金屬部件表面就會「帶電」，從而導致操作人員觸電。
- ◆ 若在執行操作時扣件可能會接觸隱藏的電線，請從絕緣手柄表面握住電動工具。若扣件接觸到「帶電」導線，電動工具金屬部件表面就會「帶電」，從而導致操作人員觸電。
- ◆ 請使用夾具或其他可行方式，在穩定的平臺上對工件進行固定及支撐。手持工件或用身體抵住工件會導致工件不穩定，可能會導致失去控制。
- ◆ 在牆上、地板和天花板上鑽孔之前，請檢查電線和鋼管位置。
- ◆ 不要在鑽孔後立刻碰觸可能還帶熱的鑽頭尖端。
- ◆ 設計用途已在本使用說明手冊中載明。若使用的配件或附件，或使用本工具執行的操作與本使用說明手冊中的建議不相符，可能會招致人身傷害及/或財損失的風險。

他人的安全

- ◆ 生理、感覺或心理機能不健全的人員（包括兒童）或缺乏經驗及知識的人員，除非由負責其安全的人員提供有關使用此器具的監督或指示，否則不得使用本工具。
- ◆ 應對兒童進行監督，以確保其不會玩耍本器具。

殘餘風險

使用本工具時，可能會出現隨附安全警告中所不包括的其他殘餘風險。誤用、長時間使用工具等因素會導致這些風險。

即使遵循相關安全規定並採用安全裝置，仍然無法避免某些殘餘風險。此類風險包括：

- ◆ 接觸旋轉/活動部件引起的傷害。
- ◆ 更換任何部件、刀片或配件時引起的傷害。
- ◆ 長時間使用工具引起的傷害。長時間使用任何工具時，請確保定期休息。
- ◆ 聽力受損。
- ◆ 吸入使用（例如，對尤其是橡木、山毛櫸及中密度纖維板（MDF）等木料使用）本工具產生的粉塵而引起的健康危害。

工具上的標籤

本工具上具有以下圖示與日期代碼：



警告！為了降低受傷的風險，使用者必須仔細閱讀使用手冊。

製造年份及機號(範例)

2016 23 BM

西元年份 週數 機號

5. 雙速排擋
6. LED 工作燈
7. 電池
8. 電池釋放按鈕
9. 螺絲起子鑽頭夾持器

裝配

使用

警告！請讓工具以自身之速度工作。請勿使它過載。

為電池充電 (圖 A)

第一次使用電池之前，以及電池無法像從前一樣為作業輕鬆提供足夠的電量時，需要為電池充電。電池在充電時可能會變熱；這是正常現象，並不表示出現問題。

警告！請勿在環境溫度低於 10°C 或高於 40°C 的狀況下為電池充電。推薦的充電溫度：約 24°C。

註：如果電池溫度低於約 10°C 或高於 40°C，充電器將無法為電池充電。電池應留在充電器中，電池溫度升高或降低後，充電器將自動開始充電。

- ◆ 將充電器插頭插入標準的 110 伏 60 Hz 電源插座。
- ◆ 將電池組滑入充電器，如圖 A 所示。
- ◆ 綠色 LED 燈將會閃爍，指示電池正在充電。
- ◆ 當綠色 LED 燈持續亮起時，代表充電完成。這個時候，電池組的電力全滿，可以立即使用或是留在充電器裡。

警告！有火災危險。中斷充電器與工具的連接時，請確保先從插座中拔出充電器插頭，然後再中斷充電器纜線與工具的連接。

在電池用完電量後，建議馬上充電，鋰電池請勿過度放電，電力過度耗竭會導致鋰電池損壞。

請將電池從機身卸下分開存放，若長時間未使用電池 (1年以上)，請每 6 個月為電池充電一次，以確保電池壽命。

在工具上安裝與取出電池組 (圖 B)

警告！卸下或安裝電池組之前，請確保鎖止按鈕已接合，以防止開關啟動。

若要安裝電池組：

- ◆ 將電池組插入至工具中，直到聽到卡嗒聲 (圖 B)

從工具中取出電池組 (圖 C)

- ◆ 按下電池釋放按鈕，如圖 C 所示，然後從工具中拉出電池組。

操作說明

觸發開關與反轉按鈕

電池與充電器的附加安全指示

電池

- ◆ 切勿因任何理由嘗試打開電池。
- ◆ 請勿將電池暴露在水中。
- ◆ 不要將電池儲存在溫度可能超過 40°C 的地方。
- ◆ 只在環境溫度介於 10°C 和 40°C 之間的情況下充電。
- ◆ 只能使用本工具隨附的充電器為電池充電。
- ◆ 處置電池時，請遵循「保護環境」一節所提供的指示。



切勿試圖為損毀的電池充電。

充電器

- ◆ 只能使用工具隨附的 BLACK+DECKER 充電器為工具內的電池充電。其他非原廠電池可能會爆裂，導致人身傷害和損害。
- ◆ 切勿嘗試為非可充電電池充電。
- ◆ 立即更換損壞的電線。
- ◆ 請勿將充電器暴露在水中。
- ◆ 請勿打開充電器。
- ◆ 請勿刺破充電器。



本充電器僅供室內使用。



使用之前請閱讀使用手冊。

電氣安全



您的充電器採用雙重絕緣，因此不需要使用接地線。請務必檢查主電壓是否與銘牌一致。切勿嘗試使用一般的電源插頭取代充電器裝置。

- ◆ 若電源線損壞，必須送往製造廠商或授權的 BLACK+DECKER 服務中心更換以避免發生危險。

功能部件

本工具包括以下部分或全部功能部件。

1. 變速開關
2. 正/反轉開關
3. 扭矩調整環
4. 快速夾頭

- 電鑽透過拉動與鬆開觸發開關 (1) 來開啟及關閉。愈用力擠壓觸發開關，電鑽便會以愈快的速度運轉。
- 正/反轉控制按鈕 (2) 可決定工具的方向，同時具備鎖止功能。
- 若要選擇正轉，請鬆開觸發開關，然後向左側按下正/反轉控制按鈕。
- 若要選擇反轉，請向相反方向按下正/反轉控制按鈕。

注意：當控制按鈕處於中心位置時，工具會被鎖定在關閉位置。變更控制按鈕的位置時，請確保觸發器已經鬆開。

扭矩控制 (圖 D)

本工具有扭矩調整環 (3)，可藉此選取操作模式並設定扭緊螺釘的扭矩。大螺釘和堅硬工件材料，比小螺釘和柔軟工件材料需要更高的扭力設定。

- 為了在木材、金屬和塑膠上鑽孔，請將調整環設定到鑽孔位置符號
- 若要執行螺旋操作，請將調整環設定到所需設定。若您尚未知道應用設定，請執行下列操作：
- 將調整環設定到最低的扭矩設定。
- 鎖緊第一顆螺絲。
- 如果在達到預期的扭矩值之前離合器已鎖緊，請提高調整環設定並繼續鎖緊螺絲。重複直到您達到正確設定為止。對其餘螺釘使用此設定。

快速夾頭 (圖 E)

警告！安裝或卸下配件之前，請確保開關已鎖定，以防止開關啟動。

若要插入鑽頭或其他配件：

- 以一隻手握住夾頭的後半部 (4)，使用另一隻手以逆時針方向（從夾頭末端看來）旋轉前半部。
- 將鑽頭或其他配件完全插入夾頭，握住夾頭後半部並以順時針方向（從夾頭末端看來）旋轉前半部，以將其扭緊。

警告！不要嘗試透過握住夾頭前部並啟動工具來擰緊鑽頭（或任何其它配件）。更換配件時可能會導致夾頭損壞和人身傷害。

雙速排擋 (圖 F)

藉助電鑽的雙速功能，您可進行換檔以獲得更大的適用性。若要選擇低速、高扭矩設定（位置 1），請關閉工具並讓它停止轉動。將換檔器按鈕 (5) 沿遠離夾頭的方向滑動。若要選擇高速、低扭矩設定（位置 2），請關閉工具並讓它停止轉動。

將換檔器按鈕向夾頭方向滑動。

注意：工具運轉時不要換檔。如果無法換擋，請確保雙速換檔器按鈕已完全向前推動或完全向後推動。

鑽孔/螺旋操作

- 使用正/反轉開關 (2) 選擇正向或反向旋轉。
- 若要打開工具電源，請按下開關 (1)。工具轉速

取決於您按下開關的程度。

- 若要關閉工具電源，請鬆開電源開關。

最佳使用提示

鑽孔

- 請僅使用鋒利的鑽頭。
- 依照安全說明，適當地支撐和固定工件。
- 依照安全說明，使用適當、必要的安全設備。
- 依照安全說明，固定和維護工作場地。
- 慢慢地讓電鑽運轉，輕輕地施壓，直到所鑽的孔足以讓鑽頭滑出為止。
- 以與鑽頭方向成一直線的方式施加壓力。使用足夠的壓力讓鑽頭持續穿透，但不要太用力以致讓電動機失速或鑽頭傾斜。
- 雙手緊握電鑽以控制電鑽的扭轉動作。
- 不要按下又鬆開失速電鑽的觸發器以試圖啟動它，否則可能會導致電鑽損壞。
- 減輕施加的壓力並慢慢鑽穿孔的最後部分，以便將穿透失速的可能性降至最低。
- 將鑽頭從已鑽好的洞拔出時，讓電機保持運轉。這有助於減少卡死情況。
- 確保開關可以將電鑽啟動和關閉。

在木材上鑽孔

木材鑽孔可以使用和鋼材鑽孔一樣的麻花鑽頭或扁鑽頭。這些鑽頭應保持鋒利，且在鑽孔時應經常拔出鑽頭來清理鑽屑。

在金屬上鑽孔

在金屬上鑽孔時使用切割潤滑劑。鑄鐵和黃銅是例外，它們應保持乾燥而直接鑽孔。效果最佳的切割潤滑劑是硫化切割油或豬油。

在石材上鑽孔

若要在石材上鑽孔，請對齊符號與標記，從而將扭矩調整環 (3) 設定到電錘鑽孔位置。向工具前端（位置 2）滑動速度選擇器 (5)。

螺旋操作

- 始終使用正確類型和尺寸的電鑽起子頭。
- 如果螺絲難以鎖緊，請嘗試用小量洗滌液或肥皂作為潤滑劑。
- 始終讓工具及電鑽起子頭與螺絲成一直線

疑難排解

問題	可能的原因	可能的解決方案
設備不會啟動。	電池組未充電。	檢查電池組的充電需求。
電池組無法充電。	充電器未插電。 環境空氣溫度太高或太低。	將充電器插入工作插座。 將充電器與電池組移至空氣溫度高於 40°F (45°C) 或低於 105°F (+40.5°C) 的環境中。
裝置突然關閉。	電池組已達到其溫度上限。 電量耗盡。為了最大限度延長電池組的使用壽命，將電池組設計為在電量耗盡時突然關閉。	讓電池組冷卻。 將電池組放入充電器進行充電。

維護

您的 BLACK+DECKER 工具採用卓越的設計，能夠長時間使用，並且只需最少的維護。

若要持續獲得滿意的操作效果，需進行正確的工具維護和定期的清潔。

您的充電器除了定期清潔之外，並不需要執行任何維護操作。

警告！在工具上執行任何維護工作之前，請卸下工具內的電池。請在清潔充電器之前拔出充電器的插頭。

- 請定期使用軟刷或乾布清潔工具和充電器內的通風槽。
- 請定期使用濕布清潔電動機外殼。請勿使用任何研磨性或基於溶劑的清潔劑。
- 請定期打開夾頭並輕敲以去除內部的任何塵埃。

保護環境。



分開收集。本產品必須與一般家庭廢物分開處置。

若您發現您的 Black & Decker 產品需要進行替換，或您已經不再需要使用這些產品，請不要將它們與家庭廢物一起處置。務必將本產品送往分類收集處。



透過分開收集用過的產品與包裝，可以實現材料的循環再生利用。
重新使用回收的材料有助於防止環境污染，並降低對原材料的需求。

維修資訊

Black & Decker 提供遍佈亞洲的公司隸屬及授權服務地點。所有的 Black & Decker 服務中心都具有訓練有素的人員，為客戶提供高效、可靠的產品服務。不論您需要的是技術建議、維修服務還是原廠正品替換部件，都可以聯絡距您最近的 Black & Decker 服務地點。

附註

- Black & Decker 秉持不斷改善產品的原則，因此，我們保留隨時變更產品規格而不預先通知的權利。
- 標準設備及配件可能視國家/地區而有所不同。
- 產品規格可能視國家/地區而有所不同。
- 並非在所有的國家/地區都將提供完整的產品系列。

如需各產品系列的供應情況，請聯絡您當地的 Black & Decker 代理商。

電池



裝置內不含使用者可檢修的部件。

- 產品使用壽命結束時，請將整個裝置送回維修代理處或當地的回收站，以回收電池。請勿將本裝置連同生活垃圾一起丟棄。

經銷商: 特力股份有限公司

地址: 台北市內湖區新湖三路 23 號 1.2.5 樓

電話: 0800-552888

進口/委製廠商: 新加坡商百得電動工具(股)公司台灣分公司

地址: 台北市士林區德行西路33號2樓

電話: 02-2834-1741

BDCHD18 BOR PALU

Data teknis

BDCHD18		
Voltase	V_{DC}	18
Kecepatan tanpa beban	Mnt^{-1}	0-360/0-1400
Torsi maksimum	Nm	17,5/40
Kapasitas gagang gerak	mm	1-10
Kapasitas bor maksimum		
Baja/kayu/dinding bata	mm	25/10/10
Berat	kg	0,90 (dengan baterai 1,30)

Pengisi daya	905902**	B1	TWZZ	KR
Voltase input	V_{AC}	100-240	120	100-240
Voltase output	V_{DC}	8-20	8-20	24V
Bolak-Balik	mA	400	400	400
Kisaran waktu isi ulang daya	Jam	4-10	4-10	4-10

Pengisi daya	905998**			
Voltase input	V_{AC}	220-240		
Voltase output	V_{DC}	18		
Bolak-Balik	Amp	1		
Kisaran waktu isi ulang daya	Jam	1,5-4		

Baterai	BL1518	
Voltase	V_{DC}	18
Kapasitas	Ah	1,5
Tipe		Li-Ion

Baterai	BL2018	
Voltase	V_{DC}	18
Kapasitas	Ah	2,0
Tipe		Li-Ion

Baterai	BL4018	
Voltase	V_{DC}	18
Kapasitas	Ah	4,0
Tipe		Li-Ion

Tujuan penggunaan

Bor PALU BLACK+DECKER BDCHD18 Anda dirancang untuk mengobeng dan untuk mengebor kayu, logam, dan dinding bata. Alat ini hanya ditujukan untuk penggunaan non-profesional.

Petunjuk keselamatan

Peringatan umum untuk keselamatan perkasas listrik



Peringatan! Baca seluruh peringatan keselamatan dan seluruh petunjuk. Kegagalan mengikuti peringatan dan petunjuk yang tercantum di bawah ini dapat mengakibatkan sengatan listrik, kebakaran, dan/atau cedera berat.

Simpan semua peringatan dan petunjuk untuk referensi di masa mendatang.

Istilah "perkasas listrik" dalam seluruh peringatan yang tercantum di bawah ini merujuk pada perkasas listrik bertenaga listrik (berkabel) atau perkasas listrik bertenaga baterai (nirkabel) Anda.

1. Keselamatan area kerja

- Jaga agar area kerja tetap bersih dan terang.** Area yang berantakan atau gelap berpotensi mengakibatkan kecelakaan.
- Jangan mengoperasikan perkasas listrik ini di lingkungan yang mudah menimbulkan bahaya ledakan, seperti di tempat yang terdapat cairan, gas, atau debu yang mudah terbakar.** Perkasas listrik menimbulkan percikan api yang dapat menyulut debu atau uap.
- Jauhkan anak-anak dan orang yang berada di sekitar, sewaktu mengoperasikan perkasas listrik.** Gangguan dapat menyebabkan Anda kehilangan kendali.

2. Keselamatan kelistrikan

- Steker perkasas listrik harus sesuai dengan soketnya.** Jangan pernah memodifikasi steker dengan cara apa pun. Jangan gunakan steker adaptor apa pun dengan alat listrik yang dibumikan (grounded). Steker yang tidak dimodifikasi dan stopkontak yang sesuai akan mengurangi risiko sengatan listrik.
- Hindari kontak badan dengan permukaan yang dibumikan (grounded), seperti pipa, radiator, kompor, dan kulkas.** Risiko sengatan listrik dapat meningkat jika tubuh Anda bersentuhan dengan permukaan yang dibumikan.
- Jangan sampai perkasas listrik ini terkena hujan atau terpapar ke kondisi yang basah.** Air yang masuk ke perkasas listrik akan meningkatkan risiko sengatan listrik.

- d. **Jangan menyalahgunakan kabel. Jangan sekali-kali menggunakan kabel untuk membawa, menarik, atau mencabut alat listrik. Jauhkan kabel dari panas, minyak, tepi tajam, atau komponen yang bergerak.** Kabel yang rusak atau terbelit meningkatkan risiko sengatan listrik.
- e. **Bila mengoperasikan perkakas listrik di luar ruangan, gunakan kabel sambungan yang sesuai untuk penggunaan di luar ruangan.** Menggunakan kabel yang sesuai untuk penggunaan di luar ruangan akan mengurangi risiko sengatan listrik.
- f. **Jika penggunaan perkakas listrik di lokasi yang lembap tidak dapat dihindari, gunakan suplai yang terlindung oleh perangkat arus sisa (RCD).** Penggunaan RCD akan mengurangi risiko sengatan listrik.
- 3. Keselamatan diri**
- a. **Tetap waspada, perhatikan apa yang Anda kerjakan dan gunakan akal sehat saat mengoperasikan perkakas listrik. Jangan mengoperasikan alat listrik bila Anda sedang lelah, atau berada di bawah pengaruh obat, alkohol, atau pengobatan.** Kelengahan sesaat saja saat mengoperasikan perkakas listrik dapat mengakibatkan cedera diri serius.
- b. **Gunakan peralatan pelindung diri. Selalu kenakan alat pelindung mata. Peralatan pelindung, seperti masker debu, sepatu keselamatan antiselip, helm proyek, atau pelindung telinga yang digunakan untuk kondisi yang sesuai akan mengurangi risiko cedera diri.**
- c. **Hindari menyalakan alat tanpa disengaja. Pastikan bahwa sakelar sudah dalam posisi mati sebelum menghubungkannya ke sumber listrik dan/atau baterai, mengambil, atau membawa alat.** Membawa perkakas listrik dengan jari Anda masih menempel pada tombol atau menghidupkan perkakas listrik yang tombolnya masih menyala akan berpotensi mengakibatkan kecelakaan.
- d. **Lepaskan semua kunci setelan atau kunci pas sebelum menghidupkan perkakas listrik.** Kunci pas atau kunci yang dibiarkan terpasang pada komponen perkakas listrik yang berputar dapat mengakibatkan cedera diri.
- e. **Jangan menjangkau melampaui batas. Selalu jaga pijakan dan keseimbangan yang baik.** Hal ini memungkinkan Anda untuk mengendalikan perkakas listrik secara lebih baik dalam situasi yang tidak terduga.
- f. **Kenakan pakaian yang sesuai. Jangan mengenakan pakaian longgar atau perhiasan. Jauhkan rambut, pakaian dan sarung tangan dari komponen yang bergerak.** Pakaian yang longgar, perhiasan atau rambut panjang dapat tersangkut pada komponen yang bergerak.
- g. **Jika disediakan perangkat untuk sambungan fasilitas pengeluaran dan pengumpulan debu, pastikan alat**

ini dihubungkan dan digunakan dengan sesuai. Penggunaan alat pengumpul debu dapat mengurangi bahaya yang ditimbulkan oleh debu.

- 4. Penggunaan dan pemeliharaan alat listrik**
- a. **Jangan menggunakan perkakas listrik dengan paksa. Gunakan alat listrik yang sesuai untuk aplikasi Anda.** Alat listrik yang tepat akan bekerja lebih baik dan aman pada tingkatan kerja yang telah dirancang untuk alat itu.
- b. **Jangan gunakan perkakas listrik ini jika sakelar tidak dapat menghidupkan dan mematikan alat.** Perkakas listrik apa pun yang tidak dapat dikendalikan dengan tombol adalah berbahaya dan harus diperbaiki.
- c. **Lepaskan stopkontak dari sumber listrik dan/atau baterai dari perkakas listrik sebelum melakukan penyetulan apa pun, mengganti aksesoris, atau menyimpan perkakas listrik.** Tindakan pencegahan untuk keselamatan seperti itu akan mengurangi risiko menyalakan alat listrik secara tidak disengaja.
- d. **Simpan perkakas listrik yang tidak digunakan jauh dari jangkauan anak-anak, dan jangan membolehkan orang yang tidak memahami perkakas listrik atau petunjuk ini untuk mengoperasikannya.** Perkakas listrik dapat berbahaya bila digunakan oleh pengguna yang tidak terlatih.
- e. **Rawat perkakas listrik. Lakukan pemeriksaan untuk mengetahui apakah ada komponen bergerak yang tidak sejajar atau bengkok, komponen yang patah, dan kondisi lainnya yang dapat memengaruhi pengoperasian perkakas listrik.** Jika rusak, perbaiki alat listrik sebelum digunakan. Banyak terjadi kecelakaan akibat perkakas listrik yang tidak dirawat dengan baik.
- f. **Jaga ketajaman dan kebersihan alat pemotong.** Alat pemotong yang dirawat dengan baik dengan mata potong yang tajam akan kecil kemungkinannya untuk macet serta lebih mudah untuk dikendalikan.
- g. **Gunakan perkakas listrik, aksesoris, mata bor, dsb, sesuai petunjuk ini, dengan memperhitungkan persyaratan kerja dan jenis pekerjaan yang harus dilakukan.** Penggunaan alat listrik untuk pengoperasian yang tidak sesuai dengan tujuan penggunaan dapat mengakibatkan situasi yang berbahaya.
- 5. Penggunaan dan pemeliharaan alat bertenaga baterai**
- a. **Isi ulang daya baterai hanya dengan pengisi daya yang ditetapkan oleh pabrik.** Pengisi daya yang cocok untuk satu tipe baterai dapat menimbulkan risiko kebakaran jika digunakan pada baterai lainnya.
- b. **Gunakan alat hanya dengan baterai yang ditujukan secara khusus.** Penggunaan baterai lainnya dapat menimbulkan risiko cedera dan kebakaran.
- c. **Bila tidak dipakai, jauhkan baterai dari benda logam seperti klip penjepit kertas, koin, kunci, paku, sekrup, atau benda logam kecil lainnya yang dapat**

menimbulkan hubungan listrik dari satu terminal ke terminal lainnya. Menghubungkan kedua terminal baterai dengan kabel secara tidak semestinya dapat mengakibatkan luka bakar atau kebakaran.

- d. Pemakaian yang salah bisa menyebabkan keluarnya cairan dari baterai; hindari kontak. Jika tidak sengaja tersentuh, bilas dengan air. Jika cairan mengenai mata, carilah juga bantuan medis. Cairan yang keluar dari baterai dapat menyebabkan iritasi atau luka bakar.

6. Servis

- a. Perkakas listrik sebaiknya diservis oleh teknisi yang berkualifikasi dan hanya menggunakan komponen pengganti yang persis sama. Hal ini akan membuat keamanan perkakas listrik selalu terjaga.

Peringatan tambahan untuk keamanan perkakas listrik



Peringatan! Peringatan keamanan tambahan untuk bor

- ♦ Gunakan pegangan tambahan yang disertakan dengan alat ini. Lepasnya kendali dapat menimbulkan cedera diri.
- ♦ Pegang perkakas listrik pada permukaan pegangan berpenyekat saat melakukan pengoperasian di mana aksesoris pemotong dapat bersentuhan dengan kabel tersembunyi. Aksesoris pemotong yang bersentuhan dengan kabel bertegangan listrik dapat mengalirkan arus listrik pada komponen logam perkakas listrik dan mengakibatkan sengatan listrik pada pengguna.
- ♦ Pegang alat listrik pada permukaan pegangan berpenyekat saat melakukan pengoperasian di mana aksesoris pemotong dapat bersentuhan dengan kabel tersembunyi. Alat penjepit yang bersentuhan dengan kabel bertegangan listrik dapat mengalirkan arus listrik pada komponen logam alat listrik dan mengakibatkan sengatan listrik pada pengguna.
- ♦ Gunakan penjepit atau cara praktis lain untuk mengencangkan dan menyangga benda kerja di permukaan yang stabil. Memegang benda dengan tangan atau disandarkan pada tubuh Anda akan membuatnya tidak stabil dan dapat mengakibatkan hilangnya kendali.
- ♦ Sebelum mengebor tembok, lantai, atau langit-langit, periksa dulu penempatan kabel dan pipa.
- ♦ Hindari menyentuh ujung mata bor segera setelah mengebor, karena bisa jadi panas.
- ♦ Tujuan penggunaan dijelaskan dalam panduan pengguna ini. Menggunakan aksesoris atau peralatan tambahan, maupun mengoperasikan alat ini dengan cara yang

tidak sesuai dengan yang disarankan dalam panduan pengguna ini dapat menimbulkan risiko cedera tubuh dan/atau kerusakan benda-benda milik pribadi.

Keselamatan orang lain

- ♦ Alat ini tidak ditujukan untuk digunakan oleh orang (termasuk anak-anak) dengan keterbatasan kemampuan fisik, sensor, maupun mental, atau kurang pengalaman maupun pengetahuan, kecuali jika di bawah pengawasan atau menerima petunjuk tentang penggunaan peralatan oleh orang yang bertanggung jawab atas keselamatan mereka.
- ♦ Anak-anak harus diawasi untuk memastikan agar mereka tidak bermain-main dengan peralatan ini.

Risiko-risiko lain

Risiko-risiko lain dapat timbul saat menggunakan alat, yang mungkin tidak tercantum dalam peringatan keselamatan yang disertakan. Risiko-risiko ini dapat diakibatkan oleh penyalahgunaan, penggunaan yang terlalu lama, dsb. Sekalipun peraturan keselamatan terkait sudah diterapkan dan peralatan pengaman sudah digunakan, risiko-risiko lain tertentu tidak dapat dihindari. Ini meliputi:

- ♦ Cedera yang diakibatkan karena menyentuh komponen yang berputar/bergerak.
- ♦ Cedera yang terjadi saat mengganti komponen, pemotong, atau aksesoris.
- ♦ Cedera yang diakibatkan karena penggunaan alat untuk waktu lama. Jika menggunakan alat apa pun untuk waktu yang lama, pastikan Anda mengistirahatkannya secara berkala.
- ♦ Kerusakan indera pendengaran.
- ♦ Bahaya kesehatan yang disebabkan oleh menghirup debu yang ditimbulkan oleh penggunaan alat (contoh: mengampelas kayu, khususnya kayu oak, beech, dan MDF.)

Label pada alat

Simbol berikut beserta kode tanggal ditampilkan pada peralatan:



Peringatan! Untuk mengurangi risiko cedera, pengguna harus membaca buku petunjuk.

Petunjuk keselamatan tambahan untuk baterai dan pengisi daya (Tidak disediakan dengan alat)

Baterai

- ♦ Jangan pernah membuka baterai dengan maksud apa pun.
- ♦ Jangan paparkan baterai pada air.

- ♦ Jangan simpan di lokasi yang suhunya melebihi 40°C.
- ♦ Lakukan pengisian daya hanya pada suhu lingkungan antara 10°C hingga 40°C.
- ♦ Isi ulang daya hanya menggunakan pengisi daya yang disertakan bersama alat.
- ♦ Saat membuang baterai, ikuti petunjuk yang diberikan dalam bagian “Melindungi Lingkungan”.



Jangan pernah mengisi ulang daya baterai rusak.

Pengisi daya

- ♦ Hanya gunakan pengisi daya BLACK+DECKER Anda yang telah disertakan untuk mengisi daya baterai dalam alat. Baterai lain dapat meledak, menyebabkan cedera diri dan kerusakan.
- ♦ Jangan pernah mengisi ulang daya baterai yang tidak dapat diisi ulang.
- ♦ Segera ganti kabel yang rusak.
- ♦ Jangan paparkan pengisi daya pada air.
- ♦ Jangan membuka pengisi daya.
- ♦ Jangan membongkar untuk memeriksa bagian dalam pengisi daya.



Pengisi daya ini hanya ditujukan untuk penggunaan di dalam ruangan.



Baca buku petunjuk sebelum penggunaan.

Keselamatan kelistrikan



Pengisi daya ini berisolasi ganda; oleh sebab itu tidak perlu kabel arde (ground). Selalu periksa apakah voltase listrik sudah sesuai dengan tegangan yang tercantum pada pelat spesifikasi. Jangan pernah mencoba untuk mengganti unit pengisi daya dengan steker listrik biasa.

- ♦ Jika rusak, kabel daya harus diganti oleh produsen atau Pusat Layanan BLACK+DECKER resmi guna menghindari terjadinya bahaya.

Fitur-Fitur

Alat ini memiliki beberapa atau semua fitur berikut ini.

1. Sakelar kecepatan variabel
2. Penggeser maju/mundur
3. Cincin penyesuaian torsi
4. Gagang gerak tanpa tombol
5. Pemilih persneling rentang ganda
6. Lampu kerja LED
7. Baterai
8. Tombol pelepas baterai
9. Dudukan mata obeng

Perakitan

Penggunaan

Peringatan! Biarkan alat bekerja sesuai kecepatannya. Jangan dibebani berlebihan.

Mengisi ulang baterai (gambar A)

Baterai perlu diisi ulang sebelum penggunaan pertama dan setiap kali baterai tidak mampu menghasilkan daya yang memadai untuk mengerjakan pekerjaan yang sebelumnya mudah dilakukan. Baterai akan menghangat pada saat diisi ulang; ini wajar dan tidak menandakan adanya masalah.

Peringatan! Jangan isi daya baterai pada suhu sekitar di bawah 10°C atau di atas 40°C. Suhu pengisian daya yang disarankan: sekitar 24°C.

Catatan: Pengisi daya tidak akan mengisi ulang baterai jika suhu sel di bawah kurang lebih 10°C atau di atas 40°C. Baterai harus dibiarkan dalam pengisi daya, dan pengisi daya akan mulai mengisi ulang daya secara otomatis bilamana suhu sel menghangat atau mendingin.

- ♦ Colokkan pengisi daya ke stopkontak 230 Volt 50 Hz standar apa pun.
- ♦ Masukkan baterai ke dalam pengisi daya seperti ditunjukkan pada gambar A.
- ♦ LED hijau akan berkedip yang menunjukkan bahwa baterai sedang diisi dayanya.
- ♦ LED hijau akan menyala terus menerus sebagai indikasi bahwa pengisian daya sudah selesai. Baterai sudah terisi penuh dan dapat digunakan sekarang, atau dibiarkan di dalam pengisi daya.

Peringatan! Bahaya terbakar. Saat melepaskan pengisi daya dari alat, pastikan untuk mencabut pengisi daya dari stopkontak terlebih dahulu, kemudian cabut kabel pengisi daya dari alat.

Memasang dan melepas baterai dari alat (gbr. B)

Peringatan! Pastikan tombol pengunci diaktifkan untuk mencegah aktuasi sakelar sebelum melepas atau memasang baterai.

Untuk memasang baterai:

- ♦ Masukkan baterai ke dalam alat sampai terdengar bunyi klik (gbr. B)

Melepas baterai dari alat (gbr. C)

- ♦ Tekan tombol pelepas baterai seperti yang ditunjukkan pada (gbr. C) dan tarik baterai dari alat.

Petunjuk Pengoperasian

Sakelar pemacu & tombol pembalik

- ♦ Bor MATI dan MENYALA dengan menarik dan

melepaskan sakelar pemacu (1). Makin dalam pemacu ditekankan, makin cepat kecepatan bormya.

- ♦ Tombol kendali maju/mundur (2) menentukan arah alat dan juga berfungsi sebagai tombol pengunci.
- ♦ Untuk memilih rotasi maju, lepaskan sakelar pemacu dan tekan tombol kendali maju/mundur ke kiri.
- ♦ Untuk memilih rotasi mundur, tekan tombol kendali maju/mundur ke arah berkebalikan.

Catatan: Posisi tengah tombol kendali mengunci alat dalam posisi mati. Saat mengubah posisi tombol kendali, pastikan bahwa pemacu sudah dilepaskan.

Kontrol torsi (gbr. D)

Alat ini dipasang dengan cincin pengatur torsi (3) untuk memilih mode pengoperasian dan menyatel torsi untuk mengencangkan obeng. Sekrup besar dan material benda keras membutuhkan penyetalan torsi yang lebih tinggi dibandingkan sekrup kecil dan material benda lunak.

- ♦ Untuk mengebor kayu, logam, dan plastik, setel cincin ke simbol posisi pengeboran
- ♦ Untuk mengobeng, setel cincin ke penyetalan yang diinginkan. Jika Anda belum mengetahui setelan yang tepat, ikuti langkah-langkah berikut:
- ♦ Setel cincin ke setelan torsi terendah.
- ♦ Kencangkan sekrup pertama.
- ♦ Jika kopling berputar ke satu arah saja sebelum hasil yang diinginkan tercapai, tingkatkan penyetalan cincin dan teruskan mengencangkan sekrup. Ulangi sampai Anda mendapatkan setelan yang tepat. Gunakan setelan ini untuk sekrup-sekrup selanjutnya.

Gagang gerak tanpa (gbr. E)

Peringatan! Pastikan tombol pengunci diaktifkan untuk mencegah aktiasi sakelar sebelum memasang atau melepas aksesoris.

Untuk memasukkan mata bor atau aksesoris lainnya:

- ♦ Pegang bagian belakang penjepit (4) dengan satu tangan dan gunakan tangan lainnya untuk memutar bagian depan berlawanan dengan arah jarum jam, bila dilihat dari bagian belakang penjepit.
- ♦ Masukkan mata bor atau aksesoris lainnya sepenuhnya ke gagang gerak, lalu kencangkan dengan memegang setengah bagian belakang gagang gerak dan memutar bagian depannya searah jarum jam sebagaimana dilihat dari ujung gagang gerak.

Peringatan! Jangan pernah mengencangkan mata bor (atau aksesoris apa pun) dengan cara memegang erat bagian depan gagang gerak dan menyalakan alat. Mengganti aksesoris dengan cara seperti ini dapat mengakibatkan kerusakan pada gagang gerak dan cedera diri.

Roda gigi rentang ganda (Gbr. F)

Dengan fitur rentang ganda dari bor, Anda dapat mengatur

roda gigi untuk fleksibilitas yang lebih besar. Untuk memilih pengaturan torsi tinggi (posisi 1) berkecepatan rendah, matikan alat dan biarkan berhenti. Geser tombol pengatur roda gigi (5) menjauh dari gagang gerak. Untuk memilih pengaturan torsi rendah (posisi 2) berkecepatan tinggi, matikan alat dan biarkan berhenti.

Geser tombol pengatur roda gigi menuju ke gagang gerak.

Catatan: Jangan ubah roda gigi saat alat sedang berjalan. Jika Anda mengalami kesulitan mengubah roda gigi, pastikan bahwa tombol roda gigi rentang ganda sepenuhnya ditekan ke depan atau sepenuhnya ditekan ke belakang.

Mengebor/mengobeng

- ♦ Pilih rotasi maju atau mundur dengan menggunakan penggeser maju/mundur (2).
- ♦ Untuk menyalakan alat, tekan sakelar (1). Kecepatan alat tergantung pada seberapa jauh Anda menekan sakelar.
- ♦ Untuk mematikan alat, lepas sakelar.

Petunjuk untuk penggunaan secara optimal

Mengebor

- ♦ Gunakan hanya mata bor yang tajam.
- ♦ Sangga dan kencangkan material kerja dengan benar, sebagaimana dijelaskan dalam Petunjuk keselamatan.
- ♦ Gunakan peralatan keselamatan yang tepat dan diperlukan, sebagaimana dijelaskan dalam Petunjuk Keselamatan.
- ♦ Amankan dan jaga area kerja, sebagaimana dijelaskan dalam Petunjuk Keselamatan.
- ♦ Jalankan bor dengan sangat lambat, menggunakan tekanan ringan, hingga lubang mulai cukup menjaga mata bor tetap meluncur melewati lubang itu.
- ♦ Selalu beri penekanan dalam garis lurus dengan mata bor. Gunakan cukup tekanan untuk menjaga agar mata bor tidak melenceng, namun jangan terlalu kuat sampai motor macet atau mata bor rusak.
- ♦ Pegang bor dengan erat menggunakan dua tangan untuk mengendalikan kerja putarannya.
- ♦ JANGAN MENGEKLIK PEMACU BERULANG KALI UNTUK BERUSAHA MENYALAKAN BOR YANG MACET. INI DAPAT MENYEBABKAN KERUSAKAN PADA BOR.
- ♦ Minimalkan risiko kemacetan melalui terobosan dengan mengurangi tekanan dan mengebor secara perlahan melalui bagian terakhir dari lubang.
- ♦ Tetap jalankan motor saat menarik mata bor keluar dari lubang yang dibor. Ini akan membantu mengurangi kemacetan.
- ♦ Pastikan sakelar menyalakan dan mematikan bor.

Mengebor kayu

Lubang di kayu dapat dibuat dengan mata bor ulir yang sama yang digunakan untuk logam atau dengan mata bor yang berujung lebar. Mata bor ini harus tajam dan harus sering

ditarik keluar saat pengeboran untuk membersihkan serpihan dari galur.

Mengebor logam

Gunakan pelumas pemotong saat mengebor logam. Kecuali untuk besi tuangan dan kuningan yang harus dibor kering. Pelumas pemotongan yang bekerja paling baik adalah minyak pemotongan atau minyak lemak babi yang diberi belerang.

Mengebor dinding bata

Untuk mengebor batuan, setel cincin (3) ke posisi pengeboran dengan cara menghubungkan simbol dengan tanda. Geser pemilih kecepatan (5) ke arah depan alat (gigi dua).

Mengobeng

- Selalu gunakan tipe dan ukuran mata obeng yang benar.
- Jika sekrup sulit dikencangkan, coba olesi sedikit cairan pencuci atau sabun cair untuk melumasinya.
- Selalu pegang alat dan mata obeng lurus dengan sekrup.

Pemecahan masalah

Masalah	Kemungkinan penyebab	Penyelesaian yang mungkin
Unit tidak mau menyalakan.	Baterai tidak diisi daya.	Periksa persyaratan pengisian daya pada baterai
Baterai tidak mau terisi daya.	Baterai tidak dicolokkan. Suhu udara sekitarnya terlalu panas atau terlalu dingin.	Colokkan pengisi daya ke stopkontak yang berfungsi. Pindahkan alat pengisi daya dan baterai ke suhu udara lingkungan di atas 40°F (45°C) atau di bawah 105°F (+40,5°C).
Unit mati secara tiba-tiba.	Baterai telah mencapai batas panas maksimumnya. Tidak bisa diisi daya. (Untuk memaksimalkan masa pakai baterai, baterai ini dirancang untuk mati secara tiba-tiba ketika dayanya habis)	Biarkan baterai dingin. Nyalakan pengisi daya dan biarkan mengisi daya.

Pemeliharaan

Alat BLACK+DECKER Anda telah dirancang untuk beroperasi pada periode waktu yang lama dengan perawatan minimum. Pengoperasian yang memuaskan secara terus-menerus bergantung pada cara pemeliharaan yang benar dan pembersihan alat secara teratur.

Pengisi daya tidak membutuhkan perawatan lain di luar pembersihan berkala.

Peringatan! Sebelum melakukan perawatan apa pun pada alat, lepaskan dulu baterai dari alat. Lepas pengisi daya sebelum membersihkannya.

- Bersihkan celah ventilasi pada alat dan pengisi daya secara teratur dengan menggunakan sikat lembut atau lap kering.
- Bersihkan kerangka mesin secara teratur menggunakan kain bersih yang lembap. Jangan gunakan bahan pembersih abrasif atau pembersih berbahan dasar larutan apa pun.
- Buka gagang secara berkala dan ketuk-ketuk untuk mengeluarkan debu dari bagian dalam alat.

Melindungi lingkungan



Pengumpulan terpisah. Produk ini tidak boleh dibuang bersama limbah rumah tangga biasa.

perlu unit pengganti atau jika sudah tidak lagi berguna bagi Anda, jangan dibuang bersama limbah rumah tangga. Pisahkan pembuangan produk ini.



Pengumpulan produk dan kemasan bekas secara terpisah memungkinkan material untuk didaur ulang dan digunakan lagi. Penggunaan kembali bahan yang didaur ulang membantu mencegah pencemaran lingkungan dan mengurangi permintaan kebutuhan bahan baku.

Informasi Servis

Black & Decker menawarkan jaringan lengkap milik perusahaan dan lokasi servis resmi di seluruh Asia. Semua Pusat Servis Black & Decker memiliki staf terlatih agar dapat memberikan layanan produk yang efisien dan andal kepada konsumen.

Bila Anda membutuhkan saran teknis, perbaikan, atau suku cadang pengganti asli pabrik, hubungi lokasi Black & Decker terdekat.

CATATAN

- Black & Decker memiliki kebijakan untuk terus meningkatkan produk dan karenanya, kami berhak mengubah spesifikasi produk tanpa pemberitahuan sebelumnya.
- Perlengkapan dan aksesoris standar mungkin akan berbeda menurut negara.
- Spesifikasi produk mungkin akan berbeda menurut negara.

- ♦ Pilihan produk lengkap mungkin tidak tersedia di semua negara.

Untuk mengetahui ketersediaan produk, hubungi dealer Black & Decker setempat Anda.

Baterai



Tidak ada komponen yang dapat diservis oleh pengguna di dalamnya.

- ♦ Pada akhir masa pakai produk Anda, kembalikanlah seluruh unit ke agen servis Anda atau stasiun daur ulang lokal untuk mendaur ulang baterai. Jangan buang unit bersama limbah rumah tangga.

ส่วนเจาะกระแทก BDCHD18

ข้อมูลทางเทคนิค

		BDCHD18
แรงดันไฟฟ้า	V_{DC}	18
ความเร็วขณะไม่มีโหลด	Min^{-1}	0-360/0-1400
แรงบิดสูงสุด	นิวตัน-เมตร	17.5/40
ขนาดหัวจับดอกสว่าน	มม.	1-10
ความสามารถในการเจาะสูงสุด		
เหล็ก/ไม้/ปูน	มม.	10/25/10
น้ำหนัก	กก.	0.90 (1.30 เมื่อรวมแบตเตอรี่)
เครื่องชาร์จ	905902**	B1 TWZZ KR
แรงดันไฟฟ้าเข้า	V_{AC}	100-240
แรงดันไฟฟ้ออก	V_{DC}	8-20
กระแสไฟฟ้า	มิลลิแอมป์	400
ระยะเวลาชาร์จโดยประมาณ	ชั่วโมง	4-10
เครื่องชาร์จ	905998**	
แรงดันไฟฟ้าเข้า	V_{AC}	220-240
แรงดันไฟฟ้ออก	V_{DC}	18
กระแสไฟฟ้า	แอมแปร์	1
ระยะเวลาชาร์จโดยประมาณ	ชั่วโมง	1.5-4
แบตเตอรี่	BL1518	
แรงดันไฟฟ้า	V_{DC}	18
ความจุ	แอมป์-ชั่วโมง	1.5
ประเภท		Li-Ion
แบตเตอรี่	BL2018	
แรงดันไฟฟ้า	V_{DC}	18
ความจุ	แอมป์-ชั่วโมง	2.0
ประเภท		Li-Ion
แบตเตอรี่	BL4018	
แรงดันไฟฟ้า	V_{DC}	18
ความจุ	แอมป์-ชั่วโมง	4.0
ประเภท		Li-Ion

วัตถุประสงค์ในการใช้งาน

ส่วนเจาะกระแทก BLACK+DECKER รุ่น BDCHD18 เครื่องนี้ได้รับการออกแบบมาเพื่อการขันสกรูและการเจาะไม้ โลหะ และปูน เครื่องมือนี้มีวัตถุประสงค์เพื่อการใช้งานของผู้บริโภคเท่านั้น

ข้อปฏิบัติเพื่อความปลอดภัย

คำเตือนเพื่อความปลอดภัยทั่วไปสำหรับการใช้เครื่องมือไฟฟ้า



คำเตือน! โปรดอ่านคำเตือนและข้อปฏิบัติเพื่อความปลอดภัยทั้งหมด การไม่ปฏิบัติตามคำเตือนและข้อปฏิบัติเหล่านี้ อาจทำให้ถูกไฟฟ้าช็อต เกิดเพลิงไหม้ และ/หรือบาดเจ็บสาหัสได้

โปรดเก็บรักษาแบตเตอรี่และข้อปฏิบัติทั้งหมดนี้ไว้เพื่อการใช้งานในภายหลัง

คำว่า "เครื่องมือไฟฟ้า" ในคำเตือนทั้งหมดที่แสดงไว้ข้างล่าง หมายถึงเครื่องมือไฟฟ้า (แบบมีสาย) ที่ทำงานด้วยแหล่งจ่ายไฟหลัก หรือเครื่องมือไฟฟ้า (แบบไร้สาย) ที่ทำงานด้วยแบตเตอรี่

1. ความปลอดภัยในบริเวณที่ทำงาน

ก) รักษาความปลอดภัยและจัดให้มีแสงสว่างเพียงพอในบริเวณที่ทำงาน บริเวณที่มีมืดหรือมีของวางระเกะระกะอาจทำให้เกิดอุบัติเหตุได้

ข) ห้ามใช้เครื่องมือไฟฟ้าในบริเวณที่อาจเกิดการระเบิด เช่น เมื่อมีของเหลวไวไฟ แก๊ส หรือฝุ่นละออง เครื่องมือไฟฟ้าจะทำให้เกิดประกายไฟที่อาจทำให้เกิดละอองไฟหรือเปลวไฟขึ้นได้

ค) ระวังไม่ให้เด็กเล็กและคนเดินผ่านไปมาเข้าใกล้ในขณะที่ใช้งานเครื่องมือไฟฟ้า สิ่งรอบกวางทำให้คุณเสียสมาธิได้

2. ความปลอดภัยทางไฟฟ้า

ก) ปลั๊กไฟของเครื่องต้องเป็นชนิดเดียวกับตัวรับห้ามตัดแปลงปลั๊กไม่ว่าด้วยวิธีใด ห้ามใช้ปลั๊กอะแดปเตอร์ใดๆ กับเครื่องมือไฟฟ้าที่ต่อสายดิน (ลงกราวด์) ปลั๊กที่ไม่มีกราดตัดแปลงและตัวรับชนิดเดียวกันจะช่วยลดความเสี่ยงจากการถูกไฟฟ้าช็อต

ข) หลีกเลี่ยงการสัมผัสพื้นผิวที่ต่อสายดินหรือลงกราวด์ เช่น ท่อ หม้อน้ำ เตาหุงต้ม และตู้เย็น มีความเสี่ยงเพิ่มขึ้นที่จะถูกไฟฟ้าช็อตหากร่างกายเป็นสื่อเชื่อมต่อดินหรือลงกราวด์

ค) อย่าให้เครื่องมือไฟฟ้าถูกฝนหรือเปียกน้ำ น้ำที่เข้าเครื่องมือไฟฟ้าจะเพิ่มความเสี่ยงในการเกิดไฟฟ้าช็อต

ง) ห้ามใช้สายไฟผิดวัตถุประสงค์ ห้ามใช้สายไฟเพื่อการหิ้ว ดึง หรือถอดปลั๊กเครื่องมือไฟฟ้า เก็บสายไฟให้พ้นจากความร้อน น้ำมัน ของมีคม หรือชิ้นส่วนที่กำลังเคลื่อนที่ สายไฟที่ชำรุดหรือพันกันเป็นการเพิ่มความเสี่ยงจากการถูกไฟฟ้าช็อต

- จ) เมื่อใช้เครื่องมือไฟฟ้านอกอาคาร ให้ใช้สายต่อพ่วงที่เหมาะสมสำหรับการใช้งานนอกอาคาร การใช้สายไฟที่เหมาะสมสำหรับการใช้งานนอกอาคารจะช่วยลดความเสี่ยงจากการเกิดไฟฟ้าช็อต
- ฉ) หากไม่สามารถหลีกเลี่ยงการใช้เครื่องมือไฟฟ้าในบริเวณที่ชื้นและ/หรือ ใต้ ให้ใช้อุปกรณ์ป้องกันไฟดูด (RCD) การใช้ RCD จะเป็นการลดความเสี่ยงจากการถูกไฟฟ้าช็อต
3. ความปลอดภัยส่วนบุคคล
- ก) ดินตัวและมีสมาธิกับสิ่งที่คุณกำลังทำ รวมทั้งใช้สามัญสำนึกในขณะที่กำลังใช้งานเครื่องมือไฟฟ้า ห้ามใช้เครื่องมือไฟฟ้าในขณะที่คุณกำลังเหนื่อยหรือได้รับอิทธิพลจากยา แอลกอฮอล์ หรือการรับประทานบางอย่าง การขาดความระมัดระวังในการใช้เครื่องมือไฟฟ้าแม้ชั่วขณะหนึ่งอาจทำให้เกิดเจ็บสาหัสได้
- ข) ใช้อุปกรณ์คุ้มครองความปลอดภัยส่วนบุคคลสวมอุปกรณ์ป้องกันดวงตาเสมอ อุปกรณ์ป้องกัน เช่น หน้ากากกันฝุ่น รองเท้านิรภัยกันลื่น หมวกนิรภัย หรืออุปกรณ์ป้องกันเสียงดังที่ใช้ในสภาวะที่เหมาะสมจะช่วยลดอาการบาดเจ็บทางร่างกาย
- ค) ป้องกันเครื่องเปิดทำงานโดยไม่ตั้งใจ สวิตช์ต้องอยู่ในตำแหน่งปิดก่อนที่จะเสียบปลั๊กเข้ากับแหล่งจ่ายไฟ และ/หรือ ชุดแบตเตอรี่ หรือก่อนจะยกหรือหิ้วเครื่องมือ การยกเครื่องมือไฟฟ้าในขณะที่นิ้วอยู่ที่สวิตช์ หรือใช้เครื่องมือไฟฟ้าที่สวิตช์เปิดอยู่ อาจทำให้เกิดอุบัติเหตุได้
- ง) ถอดกุญแจปรับตั้งหรือประแจออกก่อนเปิดสวิตช์เครื่องมือไฟฟ้า ประแจหรือกุญแจที่เสียบค้างอยู่ในชิ้นส่วนที่หมุนได้ของเครื่องมือไฟฟ้าอาจทำให้เกิดการบาดเจ็บได้
- จ) ห้ามยืนเขย่งเท้าขณะใช้เครื่อง ควรยืนในท่าที่เหมาะสมและสมดุลตลอดเวลา เพื่อช่วยในการควบคุมเครื่องมือไฟฟ้าได้ดียิ่งขึ้นในสถานการณ์ที่ไม่คาดคิด
- ฉ) แต่งกายให้เหมาะสม ห้ามสวมเสื้อผ้าหลวมหรือใส่เครื่องประดับ รวบผม สวมเสื้อ และถุงมือให้ห่างจากชิ้นส่วนที่กำลังหมุน เสื้อผ้าที่หลวมหรือยาวรุ่มร่าม เครื่องประดับ หรือผมที่ยาวอาจเข้าไปพันกับชิ้นส่วนที่กำลังหมุน
- ข) หากมีอุปกรณ์สำหรับดูดและเก็บฝุ่น ต้องตรวจสอบให้แน่ใจว่าใต้เชื่อมต่อและใช้งานอุปกรณ์นั้นอย่างเหมาะสม การใช้อุปกรณ์เก็บฝุ่นจะช่วยลดอันตรายที่เกี่ยวข้องกับฝุ่นได้
4. การใช้และการดูแลรักษาเครื่องมือไฟฟ้า
- ก) ห้ามฝืนใช้เครื่องมือไฟฟ้า เลือกใช้เครื่องมือไฟฟ้าที่ถูกต้องตรงกับลักษณะการใช้งานของคุณ เครื่องมือไฟฟ้าที่ถูกต้องย่อมทำงานได้ดีกว่าและปลอดภัยกว่า เมื่อใช้งานตามพิกัดที่เครื่องมือได้รับการออกแบบมา

- ข) ห้ามใช้เครื่องมือไฟฟ้าถ้าสวิตช์เปิดปิดเครื่องมือทำงาน เครื่องมือไฟฟ้าที่ไม่สามารถควบคุมผ่านสวิตช์ได้ ถือว่ามีอันตรายและต้องส่งซ่อม
- ค) ถอดปลั๊กของเครื่องมือไฟฟ้าออกจากแหล่งจ่ายไฟ และ/หรือ แบตเตอรี่ก่อนทำการปรับแต่ง เปลี่ยนอุปกรณ์เสริม หรือจัดเก็บ มาตรการเพื่อความปลอดภัยเชิงการป้องกันจะช่วยลดความเสี่ยงในการเปิดเครื่องให้ทำงานโดยไม่ตั้งใจ
- ง) เก็บเครื่องมือไฟฟ้าที่ไม่ใช้งานไว้ในที่พ้นมือเด็ก และไม่อนุญาตให้บุคคลที่ไม่คุ้นเคยกับเครื่องมือไฟฟ้าหรือคำแนะนำเหล่านี้เป็นผู้ใช้เครื่องมือเครื่องมือไฟฟ้าจะเป็นอันตรายหากอยู่ในมือผู้ใช้ที่ไม่มีความชำนาญ
- จ) บำรุงรักษาเครื่องมือไฟฟ้า ตรวจสอบว่าชิ้นส่วนที่เคลื่อนที่ได้มีการวางไม่ตรงแนวหรือติดขัดหรือไม่ มีชิ้นส่วนที่แตกหัก และสภาพอื่นใดที่อาจส่งผลกระทบต่อการทำงานของเครื่องมือไฟฟ้าหรือไม่ หากชำรุดเสียหาย ให้นำเครื่องมือไปส่งซ่อมก่อนนำมาใช้ อุบัติเหตุจำนวนมากเกิดจากการดูแลรักษาเครื่องมือไฟฟ้าไม่ดีพอ
- ฉ) เครื่องมือตัดต้องคมและสะอาดอยู่เสมอ เครื่องมือตัดที่ได้รับการดูแลรักษาอย่างถูกต้อง และมีขอบตัดคม จะมีปัญหาติดขัดน้อย และควบคุมได้ง่ายกว่า
- ข) ใช้เครื่องมือไฟฟ้า อุปกรณ์เสริมและชุดอุปกรณ์ต่างๆ ให้สอดคล้องกับคำแนะนำเหล่านี้ โดยพิจารณาถึงสภาพการทำงานและงานที่ทำเป็นสำคัญ การใช้เครื่องมือไฟฟ้าทำงานอื่นนอกเหนือจากที่กำหนดไว้อาจทำให้เกิดอันตรายได้

5. การใช้และการดูแลรักษาแบตเตอรี่

- ก) ชาร์จแบตเตอรี่ด้วยเครื่องชาร์จที่ผู้ผลิตแนะนำเท่านั้น เครื่องชาร์จที่เหมาะสมกับแบตเตอรี่แบบหนึ่งอาจทำให้เกิดไฟไหม้ได้ถ้านำมาใช้กับแบตเตอรี่อีกแบบหนึ่ง
- ข) ใช้เครื่องมือไฟฟ้าเฉพาะกับก้อนแบตเตอรี่ที่ออกแบบมาเป็นพิเศษเท่านั้น การใช้แบตเตอรี่แบบอื่นอาจทำให้เกิดการบาดเจ็บหรือเกิดไฟไหม้ได้
- ค) เมื่อไม่ได้ใช้ก้อนแบตเตอรี่ ให้เก็บออกห่างจากรัดอุณหภูมิจที่เป็นโลหะ เช่น ตะลึงหนีบกระดาษ เหรียญ กุญแจ เข็ม สกรูหรือวัตถุขนาดเล็กอื่นๆ ที่ทำจากโลหะที่อาจทำให้เกิดการเชื่อมต้อจากขั้วหนึ่งไปอีกขั้วหนึ่ง การสั้วดวงบริเวณขั้วแบตเตอรี่อาจทำให้เกิดรอยไหม้หรือไฟไหม้ได้
- ง) เมื่ออยู่ภายใต้สภาวะที่ไม่เหมาะสมอาจมีของเหลวไหลออกมาจากแบตเตอรี่ ให้หลีกเลี่ยงการสัมผัสกับของเหลวนี้ หากบังเอิญสัมผัสโดยไม่ตั้งใจ ให้ล้างด้วยน้ำปริมาณมาก หากของเหลวกระเด็นเข้าตา ควรรีบไปพบแพทย์ ของเหลวที่ออกมาจากแบตเตอรี่อาจทำให้เกิดอาการระคายเคืองหรือรอยไหม้ได้

6. การบริการ

- ก) ให้ช่างซ่อมที่มีความเชี่ยวชาญเป็นผู้ซ่อมเครื่องมือ และใช้อะไหล่แท้เท่านั้น ซึ่งจะช่วยให้อายุการใช้งานของเครื่องมือไฟฟ้ามีความปลอดภัยยิ่งขึ้น

คำเตือนเพื่อความปลอดภัยเพิ่มเติม สำหรับการใช้เครื่องมือไฟฟ้า



คำเตือน! คำเตือนเพื่อความปลอดภัยเพิ่มเติม
สำหรับส่วน

- ใช้มือจับเสริมที่ให้มาพร้อมกับเครื่อง การสูญเสียการควบคุมเครื่องอาจทำให้ได้รับบาดเจ็บได้
- จับเครื่องมือไฟฟ้าที่พื้นผิวส่วนที่ใช้จับซึ่งมีฉนวนป้องกันเท่านั้น เมื่อใช้งานเครื่องและอุปกรณ์เสริมสำหรับงานตัดที่อาจสัมผัสกับสายไฟที่ซ่อนอยู่ อุปกรณ์เสริมสำหรับงานตัดที่สัมผัสถูกสายไฟ "ที่มีไฟฟ้า" อาจทำให้ส่วนที่เป็นโลหะของเครื่องที่ถูกสัมผัส "มีไฟฟ้า" และทำให้ผู้ใช้เครื่องถูกไฟฟ้าช็อตได้
- จับเครื่องมือไฟฟ้าที่พื้นผิวส่วนที่ใช้จับซึ่งมีฉนวนป้องกันเท่านั้น เมื่อใช้งานเครื่องกับงานที่ตัวยึดอาจสัมผัสกับสายไฟที่ซ่อนอยู่ ตัวยึดที่สัมผัสกับสายไฟ "ที่มีไฟฟ้า" อาจทำให้ส่วนที่เป็นโลหะของเครื่องที่ถูกสัมผัส "มีไฟฟ้า" และทำให้ผู้ใช้เครื่องถูกไฟฟ้าช็อตได้
- ใช้ตัวจับชิ้นงานหรือจับยึดด้วยวิธีอื่นๆ เพื่อยึดและหนุนชิ้นงานบนแท่นที่มั่นคง การใช้มือจับหรือให้ชิ้นงานพังกับล้าตัวจะไม่มั่นคงและอาจทำให้สูญเสียการควบคุมได้
- ก่อนเจาะผนัง พื้น หรือเพดาน ให้ตรวจสอบตำแหน่งสายไฟและท่อน้ำ
- หลีกเลี่ยงการสัมผัสปลายดอกสว่านหลังจากการเจาะเสร็จทันทีเนื่องจากดอกสว่านอาจร้อน
- ระวังประตักในการใช้งาน ใต้ฉนวนไว้ใ้ในคู่มือแนะนำการใช้งานฉบับนี้ การใช้งานอุปกรณ์เสริมหรืออุปกรณ์ต่อพ่วง หรือการใช้งานอื่นใดกับเครื่องมือนี้ออกเหนือจากที่ได้แนะนำไว้ในคู่มือการใช้งานนี้ อาจทำให้เสี่ยงต่อการบาดเจ็บ และ/หรือความเสียหายต่อทรัพย์สินได้

ความปลอดภัยของบุคคลอื่น

- เครื่องมือนี้ไม่ได้มีไว้เพื่อการใช้งานโดยบุคคล (ซึ่งรวมถึงผู้เยาว์) ที่มีความบกพร่องทางร่างกายทางการรับรู้ความรู้สึก หรือทางจิตประสาท หรือขาดประสบการณ์และความรู้ เว้นเสียแต่จะได้รับการควบคุมดูแลหรือคำแนะนำการใช้เครื่องมือโดยผู้ที่รับผิดชอบต่อความปลอดภัยของบุคคลเหล่านั้น
- เด็กควรได้รับการควบคุมดูแลเพื่อให้แน่ใจว่าเด็กจะไม่เล่นเครื่องมือ

ความเสี่ยงอื่นๆ ที่ยังมีอยู่

ความเสี่ยงอื่นๆ ที่ไม่ได้ระบุในคำเตือนเพื่อความปลอดภัยนี้ อาจเกิดขึ้นได้เมื่อใช้เครื่องมือ ความเสี่ยงเหล่านี้ อาจเกิดขึ้นจากการใช้อย่างไม่ถูกต้อง การใช้เป็นเวลานาน เป็นต้น

แม้ว่าจะปฏิบัติตามข้อกำหนดด้านความปลอดภัยที่เกี่ยวข้อง และใช้อุปกรณ์เสริมที่ แต่ความเสี่ยงอื่นๆ ที่ยังมีอยู่บางอย่างก็ไม่สามารถหลีกเลี่ยงได้ ความเสี่ยงเหล่านี้ ได้แก่:

- การบาดเจ็บที่เกิดจากการสัมผัสชิ้นส่วนที่หมุน/เคลื่อนที่
- การบาดเจ็บที่เกิดขึ้นขณะเปลี่ยนชิ้นส่วน ใบมีด หรืออุปกรณ์เสริม
- การบาดเจ็บที่เกิดจากการใช้เครื่องมือต่อเนื่องเป็นเวลานาน เมื่อใช้เครื่องมือเป็นระยะเวลาสั้นๆ ต้องแน่ใจว่าคุณได้หยุดพักเป็นระยะ
- ความบกพร่องในการได้ยินเสียง
- อันตรายต่อสุขภาพที่เกิดจากการสูดดมฝุ่นจากการใช้เครื่องมือ (ตัวอย่างเช่น การทำงานกับไม้ โดยเฉพาจะไม่โอ๊ค ไม้บีช และไม้ MDF)

สัญลักษณ์บนเครื่องมือ

สัญลักษณ์ต่อไปนี้จะปรากฏบนเครื่องมือพร้อมทั้งรหัสวันที่:



คำเตือน! เพื่อลดความเสี่ยงต่อการบาดเจ็บ ผู้ใช้ต้องอ่านคู่มือการใช้งานเล่มนี้

คำแนะนำเพื่อความปลอดภัยเพิ่มเติม สำหรับแบตเตอรี่และเครื่องชาร์จ (ไม่ได้ ให้มาพร้อมกับอุปกรณ์)

แบตเตอรี่

- ห้ามพยายามแกะตัวแบตเตอรี่ในทุกกรณี
- อย่าให้แบตเตอรี่สัมผัสน้ำ
- ห้ามเก็บแบตเตอรี่ในสถานที่อุณหภูมิอาจสูงเกิน 40°C
- ชาร์จแบตเตอรี่ที่อุณหภูมิห้องระหว่าง 10°C ถึง 40°C เท่านั้น
- ชาร์จแบตเตอรี่ด้วยเครื่องชาร์จที่ให้มาพร้อมอุปกรณ์เท่านั้น
- ห้ามละทิ้งแบตเตอรี่ ให้ทำตามคำแนะนำในหัวข้อ "การปกป้องสิ่งแวดล้อม"



อย่าพยายามชาร์จแบตเตอรี่ที่ชำรุดเสียหาย

เครื่องชาร์จ

- ใช้เครื่องชาร์จ BLACK+DECKER เพื่อชาร์จแบตเตอรี่ภายในเครื่องที่ให้มาพร้อมกันเท่านั้น การชาร์จแบตเตอรี่ชนิดอื่นๆ อาจทำให้แบตเตอรี่ระเบิดและเกิดการบาดเจ็บและความเสียหายได้
- ห้ามชาร์จแบตเตอรี่ชนิดชาร์จซ้ำไม่ได้
- เปลี่ยนสายไฟที่ชำรุดทันที
- อย่าให้เครื่องชาร์จสัมผัสน้ำ
- ห้ามแกะเปิดเครื่องชาร์จ
- ห้ามใช้สิ่งใดเหย้าเข้าไปในตัวเครื่องชาร์จ



เครื่องชาร์จนี้มีวัตถุประสงค์เพื่อการใช้งานใน
ที่ร่มเท่านั้น



โปรดอ่านคู่มือการใช้งานก่อนใช้เครื่อง

ความปลอดภัยทางไฟฟ้า



เครื่องมือนี้มีฉนวนสองชั้น ดังนั้นจึงไม่จำเป็นต้องต่อสายดิน ต้องตรวจสอบกำลังไฟเพื่อให้ตรงกับแรงดันไฟฟ้าบนแผ่นแสดงที่กีดเซมอห้ามเปลี่ยนแปลงสายปลั๊กไฟของเครื่องชาร์จเป็นสายปลั๊กไฟธรรมดาโดยเด็ดขาด

- หากสายไฟของตัวเครื่องชำรุดเสียหาย ต้องได้รับการเปลี่ยนโดยผู้ผลิตหรือศูนย์บริการของ BLACK+DECKER ที่ได้รับอนุญาตเพื่อหลีกเลี่ยงอันตรายที่อาจเกิดขึ้น

ส่วนประกอบสำคัญ

เครื่องมือนี้มีส่วนประกอบสำคัญบางอย่างหรือทั้งหมดดังต่อไปนี้

- สวิตช์ปรับระดับความเร็ว
- ปุ่มเลื่อนเดินหน้า/ถอยหลัง
- ปลอกปรับแรงบิด
- ตัวจับดอกสว่านแบบไม่ใช้จำปา
- เกียร์สองจังหวะ
- ไฟ LED แสดงการทำงาน
- แบตเตอรี่
- ปุ่มปลดล็อกแบตเตอรี่
- ตัวจับดอกไขควง

การประกอบ

การใช้งาน

คำเตือน! ปล่อยให้เครื่องมือทำงานตามความเร็วของเครื่อง ห้ามใช้งานเกินกำลัง

การชาร์จแบตเตอรี่ (รูป A)

แบตเตอรี่ต้องการการชาร์จไฟก่อนการใช้งานครั้งแรก และทุกครั้งเมื่อแบตเตอรี่ไม่สามารถจ่ายพลังงานได้เพียงพอสำหรับงานที่เคยทำได้โดยง่าย แบตเตอรี่อาจอุ่นขึ้นระหว่างการชาร์จ ซึ่งถือเป็นเรื่องปกติและไม่ใช้ตัวบ่งชี้อาการผิดปกติ

คำเตือน! ห้ามชาร์จแบตเตอรี่ในอุณหภูมิห้องที่ต่ำกว่า 10°C หรือสูงกว่า 40°C อุณหภูมิการชาร์จที่แนะนำ: ประมาณ 24°C

หมายเหตุ: เครื่องชาร์จจะไม่ชาร์จแบตเตอรี่หากอุณหภูมิของแบตเตอรี่ต่ำกว่าประมาณ 10°C หรือสูงกว่า 40°C ให้ทิ้งแบตเตอรี่ไว้ในเครื่องชาร์จ แล้วเครื่องชาร์จจะเริ่มชาร์จไฟเองโดยอัตโนมัติเมื่อ

อุณหภูมิของแบตเตอรี่อุ่นขึ้นหรือเย็นลง

- เสียบปลั๊กเครื่องชาร์จเข้ากับเต้าเสียบไฟมาตรฐาน 230 โวลต์ ความถี่ 50 เฮิรตซ์
- ใส่ก่อนแบตเตอรี่ลงในเครื่องชาร์จตามที่แสดงในรูป A
- ไฟ LED สีเขียวจะกะพริบเพื่อบอกว่าการชาร์จแบตเตอรี่อยู่
- เมื่อไฟ LED สีเขียวติดสว่างอย่างต่อเนื่องแสดงว่าการชาร์จเสร็จเรียบร้อยแล้ว แบตเตอรี่จะมีไฟเต็ม และสามารถนำไปใช้ได้เลย หรืออาจปล่อยให้เครื่องชาร์จก็ได

คำเตือน! ถอนสายจากไฟใหม่ เมื่อถอดสายเครื่องมือออกจากเครื่องชาร์จ ตรวจสอบให้แน่ใจว่าถอดปลั๊กของเครื่องชาร์จออกจากเต้ารับก่อน แล้วจึงถอดสายเครื่องชาร์จออกจากเครื่องมือ

การติดตั้งและการถอดแบตเตอรี่ออกจากเครื่องมือ (รูป B)

คำเตือน! ตรวจสอบให้แน่ใจว่าปุ่มล็อกทำงานอยู่เพื่อป้องกันการเปิดสวิตช์เครื่องมือก่อนการถอดหรือติดตั้งแบตเตอรี่

เมื่อต้องการติดตั้งแบตเตอรี่:

- ใส่ก่อนแบตเตอรี่ลงในเครื่องมือจนกระทั่งได้ยินเสียงคลิก (รูป B)

การถอดแบตเตอรี่ออกจากเครื่องมือ (รูป C)

- กดปุ่มปลดล็อกแบตเตอรี่ตามที่แสดงใน (รูป C) และดึงแบตเตอรี่ออกจากเครื่องมือ

คำแนะนำการใช้งาน

สวิตช์และปุ่มปรับทิศทางหมุน

- เปิดและปิดใช้งานส่วนโดยการกดและปล่อยสวิตช์ (1) ยิ่งกดสวิตช์ให้ลึกเท่าใด ความเร็วของสว่านก็จะสูงขึ้นเท่านั้น
- ปุ่มควบคุมเดินหน้า/ถอยหลัง (2) จะควบคุมทิศทางการทำงานของเครื่องมือ รวมทั้งทำหน้าที่เป็นปุ่มล็อกให้อยู่ในตำแหน่งปิดอีกด้วย
- เมื่อต้องการเลือกการหมุนไปข้างหน้า ให้ปล่อยสวิตช์และดันปุ่มควบคุมการเดินหน้า/ถอยหลังไปทางซ้าย
- เมื่อต้องการเลือกการถอยหลัง ให้ดันปุ่มควบคุมเดินหน้า/ถอยหลังไปในทิศทางตรงกันข้าม

หมายเหตุ: ตำแหน่งตรงกลางของปุ่มควบคุมจะใช้ล็อกเครื่องมือให้อยู่ในตำแหน่งปิดการทำงาน เมื่อจะเปลี่ยนตำแหน่งของปุ่มควบคุม ต้องแน่ใจว่าได้ปล่อยสวิตช์แล้ว

การควบคุมแรงบิด (รูป D)

เครื่องมือนี้มีปลอกปรับแรงบิด (3) สำหรับเลือกโหมดการทำงาน และกำหนดแรงบิดสำหรับการขันสกรู สกรูขนาดใหญ่อะไรก็ตามที่มีเนื้อแข็งจะต้องใช้การตั้งค่าแรงบิดสูงกว่าสกรูขนาดเล็กและวัสดุชิ้นงานที่มีเนื้ออ่อน

- สำหรับการเจาะไม้ เหล็ก และพลาสติก ให้ปรับปลอกไปที่สัญลักษณ์ของตำแหน่งการเจาะ
- สำหรับการขันสกรู ให้ปรับปลอกไปยังค่าที่ต้องการ

หากคุณไม่ทราบการตั้งค่าที่เหมาะสม โปรดดำเนินการดังนี้

- ปรับปลอกไปที่ค่าแรงบิดต่ำสุด
- ขึ้นสกรูตัวแรกให้แน่น
- หากคลัทช์ขีหม่นฟรีกอนจะไต่ผลลัพท์ที่ต้องการ ให้เพิ่มแรงบิดแล้วขึ้นสกรูต่อ ทำซ้ำจนกว่าจะได้การตั้งค่าที่ถูกต้อง จากนั้น ให้ใช้คาน้ำกับสกรูที่เหลือ

ตัวจับดอกสว่านแบบไม้ใช้จำปา (รูป E)

คำเตือน! ตรวจสอบให้แน่ใจว่าปุ่มล็อคทำงานอยู่เพื่อป้องกันการเปิดสวิตช์เครื่องมือก่อนการถอดหรือติดตั้งอุปกรณ์เสริม

ถ้าต้องการใส่ดอกสว่านหรืออุปกรณ์เสริมอื่น:

- จับส่วนครึ่งหลังของตัวจับดอกสว่าน (4) ด้วยมือข้างหนึ่งและใช้มืออีกข้างหนึ่งหมุนส่วนครึ่งหน้าในทิศทางวนเข็มนาฬิกา เมื่อดูจากด้านปลายของตัวจับดอกสว่าน
- ใส่ดอกสว่านหรืออุปกรณ์เสริมอื่นลงในตัวจับดอกสว่านจนสุด และขันให้แน่นด้วยการจับส่วนครึ่งหลังของตัวจับดอกสว่าน และหมุนส่วนหน้าในทิศตามเข็มนาฬิกา เมื่อดูจากด้านปลายของตัวจับดอกสว่าน

คำเตือน! อย่ายายามขันดอกสว่าน (หรืออุปกรณ์เสริมใดๆ) ให้แน่นด้วยการจับที่ด้านหน้าของตัวจับดอกสว่านแล้วเปิดเครื่องมือ การเปลี่ยนอุปกรณ์เสริมในลักษณะนี้อาจทำให้เกิดความเสียหายต่อตัวจับดอกสว่านและเกิดการบาดเจ็บได้

เกียร์สองจังหวะ (รูป F)

เกียร์สองจังหวะของสว่านนี้ช่วยให้คุณสามารถเปลี่ยนเกียร์เพื่อให้ใช้งานได้หลากหลายขึ้น ถ้าต้องการความเร็วต่ำ ให้ตั้งค่าแรงบิดสูง (ตำแหน่ง 1) ปิดเครื่องมือและปล่อยให้เครื่องหยุดหมุนเอง เลื่อนปุ่มเปลี่ยนเกียร์ (5) ออกห่างตัวจับดอกสว่าน ถ้าต้องการเลือกความเร็วสูง ให้ตั้งค่าแรงบิดต่ำ (ตำแหน่ง 2) ปิดเครื่องมือและปล่อยให้เครื่องหยุดหมุนเอง เลื่อนปุ่มเปลี่ยนเกียร์ไปทางตัวจับดอกสว่าน

หมายเหตุ: อย่าย้ายเกียร์ขณะที่เครื่องมือกำลังทำงาน ถ้าคุณมีปัญหาในการเปลี่ยนเกียร์ ตรวจสอบให้แน่ใจว่าปุ่มเปลี่ยนเกียร์อยู่ในตำแหน่งใดตำแหน่งหนึ่งในระหว่างถูกดันไปข้างหน้าจนสุดหรือถูกดันถอยหลังจนสุด

การเจาะ/ขันสกรู

- เลือกทิศทางการหมุนไปข้างหน้าหรือย้อนกลับโดยใช้ปุ่มเลื่อนเดินหน้า/ถอยหลัง (2)
- เมื่อต้องการเปิดเครื่อง ให้กดสวิตช์ (1) ความเร็วของเครื่องมือจะขึ้นอยู่กับความลึกของสวิตช์ที่คุณกดลงไป
- เมื่อจะปิดเครื่อง ให้ปล่อยสวิตช์

คำแนะนำเพื่อการใช้งานอย่างเหมาะสม

การเจาะ

- ใช้ดอกสว่านที่คมเท่านั้น

- หนุนและจับยึดชิ้นงานให้เหมาะสมตามที่คำแนะนำด้านความปลอดภัยระบุไว้
- ใช้อุปกรณ์นิรภัยที่จำเป็นและเหมาะสมตามที่คำแนะนำด้านความปลอดภัยระบุไว้
- ป้องกันและรักษาสภาพพื้นที่ทำงานตามที่คำแนะนำด้านความปลอดภัยระบุไว้
- เดินเครื่องสวนซ้ำ ใช้แรงกดเพียงเล็กน้อยจนกว่ารูที่เจาะเริ่มลึกพอที่ดอกสว่านจะไม่ลื่นหลุดออกมา
- ออกแรงกดให้เป็นแนวเดียวกันกับดอกสว่าน ใช้แรงกดพอสมควรเพื่อให้ดอกสว่านเจาะเข้าไปอย่างต่อเนื่อง แต่ไม่มากเกินไปจนทำให้มอเตอร์หยุดค้างหรือดอกสว่านเบี้ยว
- จับสว่านให้มั่นคงด้วยมือสองข้างเพื่อควบคุมไม่ให้เกิดสลิป
- อยากรีดไสสว่านที่หยุดทำงานง่ายๆ เพื่อให้สว่านเดินเครื่อง เพราะอาจทำให้สว่านชำรุดเสียหายได้
- ลดการค้ำระหว่างการเจาะโดยลดแรงกดและค่อยๆ เจาะให้ทะลุผ่านช่วงสุดท้ายของรู
- ใ้หม้อเดอรี่ยังหมุนไว้ระหว่างการถอนดอกสว่านออกจากรูที่เจาะ วิธีนี้จะช่วยลดปัญหาดอกสว่านติดได้
- ตรวจสอบให้แน่ใจว่าสวิตช์สามารถเปิดและปิดสว่านได้

การเจาะไม้

การเจาะรูในงานไม้สามารถใช้ดอกสว่านแบบเกลียวเช่นเดียวกับที่ใช้กับงานโลหะหรือด้วยดอกสว่านใบพาย ดอกสว่านเหล่านี้จะต้องคม และจะต้องดึงออกบ่อยๆ ขณะที่เจาะเพื่อเอาเศษไม้ออกจากร่อง

การเจาะโลหะ

ใช้สารหล่อลื่นสำหรับงานตัดขณะเจาะโลหะ ยกเว้นเหล็กหล่อและทองเหลืองที่ควรเจาะขณะแห้ง สารหล่อลื่นที่ใช้ได้ดีที่สุดคือน้ำมันสำหรับงานตัดที่ผสมซิลิเฟอรหรือน้ำมันหมู

การเจาะปูน

สำหรับการเจาะปูน ให้ปรับปลอก (3) ไปที่ตำแหน่งเจาะกระแทก โดยให้สัญลักษณ์ตรงกับเครื่องหมายเลื่อนตัวเลือกความเร็ว (5) ไปทางด้านหน้าของเครื่องมือ (เกียร์ 2)

การขันสกรู

- ใช้ดอกไขควงชนิดและขนาดที่เหมาะสมเสมอ
- หากสกรูขันได้ยาก ให้ลองทาน้ำสบู่เป็นสารหล่อลื่นเล็กน้อย
- จับเครื่องมือและดอกไขควงให้อยู่ในแนวเดียวกับสกรูเสมอ

การแก้ปัญหา

ปัญหา	สาเหตุที่เป็นไปได้	การแก้ไขที่เป็นไปได้
เครื่องไม่เริ่มทำงาน	แบตเตอรี่ไม่ได้รับการชาร์จ	ตรวจสอบข้อกำหนดการชาร์จแบตเตอรี่
แบตเตอรี่ไม่ชาร์จ	เครื่องชาร์จไม่ได้เสียบไฟ ลูกหมึกโดยรอบสูงเกินไปหรือเย็นเกินไป	เสียบเครื่องชาร์จเข้ากับเต้าเสียบที่ใช้งานได้ ย้ายแท่นชาร์จและชุดแบตเตอรี่ไปในบริเวณที่มีอุณหภูมิของอากาศโดยรวมสูงกว่า 40 องศา F (45°C) หรือต่ำกว่า 105 องศา F (+40.5°C)
เครื่องหยุดทำงานทันที	แบตเตอรี่มีอุณหภูมิสูงถึงขีดจำกัดอุณหภูมิสูงสุด เมื่อไม่มีไฟเหลืออยู่ (เพื่อให้อายุของแบตเตอรี่สูงสุด แบตเตอรี่จึงได้รับการออกแบบให้หยุดทำงานทันทีเมื่อไม่มีไฟเหลืออยู่)	ปล่อยให้แบตเตอรี่เย็นลง วางบนเครื่องชาร์จและปล่อยให้ชาร์จ

การบำรุงรักษา

เครื่องมือของ BLACK+DECKER ออกแบบมาให้สามารถใช้งานได้ยาวนานต่อเนื่องโดยที่มีการบำรุงรักษาน้อยที่สุด การทำงานที่สร้างความพึงพอใจอย่างต่อเนื่องจะขึ้นอยู่กับ การดูแลรักษาที่เหมาะสมและการทำความสะอาดอย่างสม่ำเสมอ

เครื่องชาร์จไม่ต้องการการดูแลพิเศษอื่นใดนอกเหนือจากการทำความสะอาดเป็นประจำ

คำเตือน! ก่อนดำเนินการบำรุงรักษาเครื่องมือ ให้ถอดแบตเตอรี่ออกจากเครื่องมือก่อน ถอดปลั๊กเครื่องชาร์จออกก่อนจะทำความสะอาด

- ทำความสะอาดช่องระบายอากาศในเครื่องมือและเครื่องชาร์จของคุณเป็นประจำโดยใช้แปรงขนอ่อนหรือผ้าแห้ง
- ทำความสะอาดตัวมอเตอร์เป็นประจำโดยใช้ผ้าชุบน้ำหมาดๆ
- ห้ามใช้น้ำยาทำความสะอาดที่มีฤทธิ์กัดกร่อนหรือมีส่วนผสมของตัวทำละลาย
- เปิดตัวจับดอกสว่านออกมาเคาะเป็นประจำเพื่อกำจัดฝุ่นที่ติดอยู่ในตัวจับ

การปกป้องสิ่งแวดล้อม



การเก็บรวบรวมแบบคัดแยก ห้ามทิ้งผลิตภัณฑ์นี้ร่วมกับขยะในครัวเรือนปกติ

หรือเครื่องมือนี้ไม่เป็นประโยชน์สำหรับคุณอีกต่อไป อย่างไรก็ตามผลิตภัณฑ์นี้รวมกับขยะในครัวเรือน จัดการกับผลิตภัณฑ์นี้เพื่อให้พร้อมสำหรับการเก็บรวบรวมแบบคัดแยก



การเก็บรวบรวมแบบคัดแยกสำหรับบรรจุภัณฑ์และผลิตภัณฑ์ที่ใช้แล้วทำให้สามารถรีไซเคิลวัสดุและนำมาใช้งานอีกครั้ง การนำวัสดุรีไซเคิลมาใช้อีกครั้งจะช่วยป้องกันมลพิษต่อสิ่งแวดล้อมและลดความต้องการวัตถุดิบ

ข้อมูลการบริการ

Black & Decker ให้บริการเครือข่ายศูนย์บริการของบริษัทเองและศูนย์ฯ ที่ได้รับการรับรองเต็มรูปแบบทั่วทั้งทวีปเอเชีย ศูนย์บริการ Black & Decker ทุกแห่งมีพนักงานที่ผ่านการฝึกอบรมเพื่อให้บริการผลิตภัณฑ์ได้อย่างมีประสิทธิภาพและเชื่อถือได้

ไม่ว่าคุณจะต้องการคำแนะนำด้านเทคนิค การซ่อมแซมหรืออะไหล่จากโรงงาน โปรดติดต่อศูนย์ Black & Decker ใกล้บ้าน

หมายเหตุ

- เนื่องจาก Black & Decker มินโยบายพัฒนาปรับปรุงผลิตภัณฑ์อย่างต่อเนื่อง ดังนั้น เราจึงขอสงวนสิทธิ์ในการเปลี่ยนแปลงข้อมูลจำเพาะของผลิตภัณฑ์โดยไม่แจ้งให้ทราบล่วงหน้า
- อุปกรณ์มาตรฐานและอุปกรณ์เสริมอาจแตกต่างกันในแต่ละประเทศ
- ข้อมูลจำเพาะของผลิตภัณฑ์อาจแตกต่างกันในแต่ละประเทศ
- ตัวเลือกผลิตภัณฑ์อาจมีจำหน่ายไม่ครบทุกรุ่นในบางประเทศ

โปรดสอบถามรุ่นผลิตภัณฑ์ที่มีจำหน่ายจากตัวแทนจำหน่ายของ Black & Decker ในประเทศของคุณ

แบตเตอรี่



ไม่มีชิ้นส่วนใดที่ผู้ใช้สามารถซ่อมได้อยู่ภายใน

