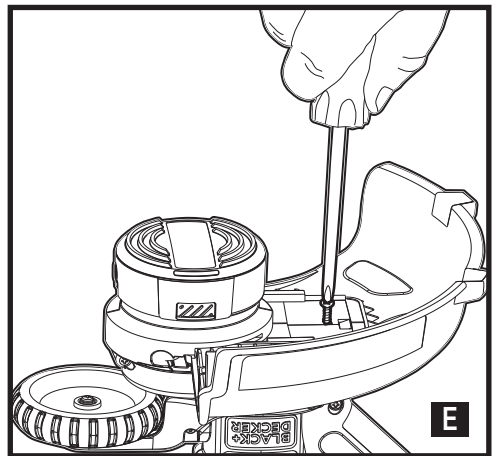
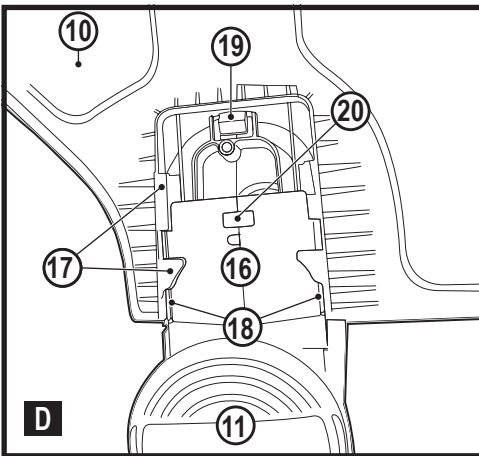
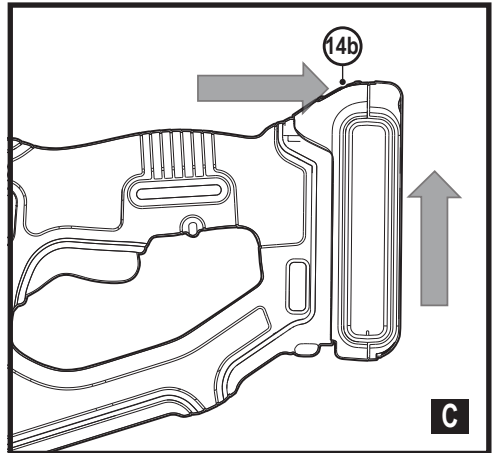
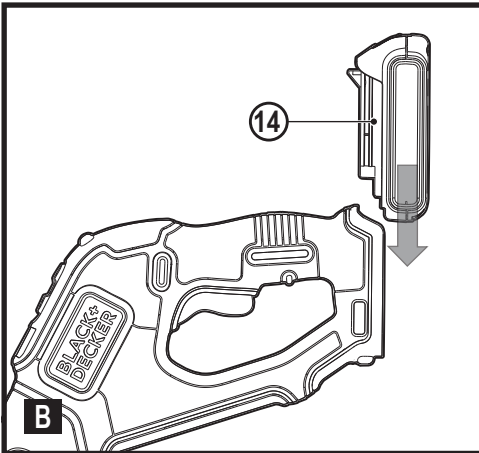
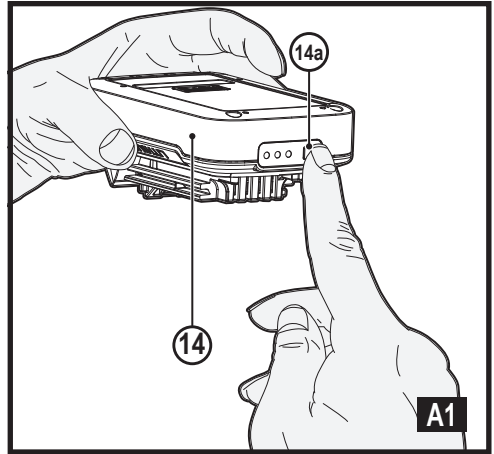
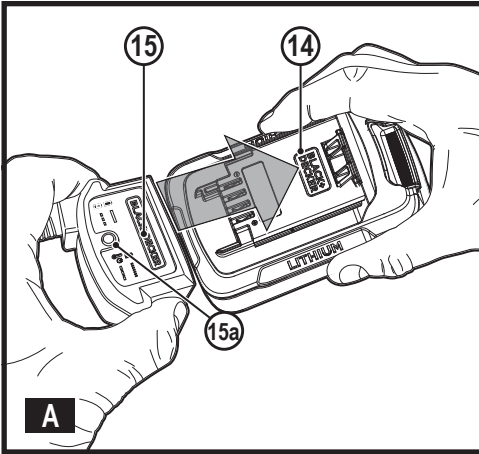
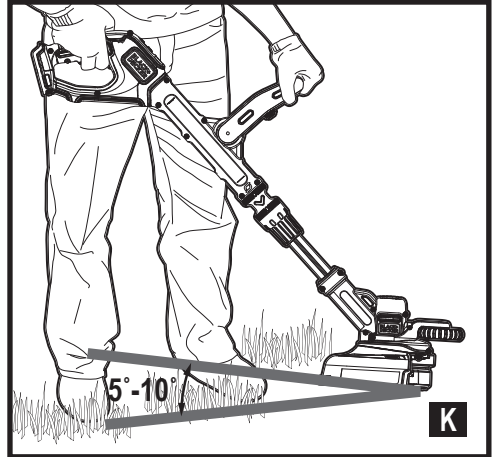
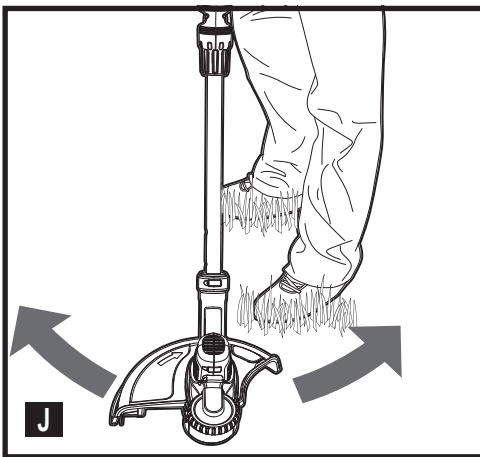
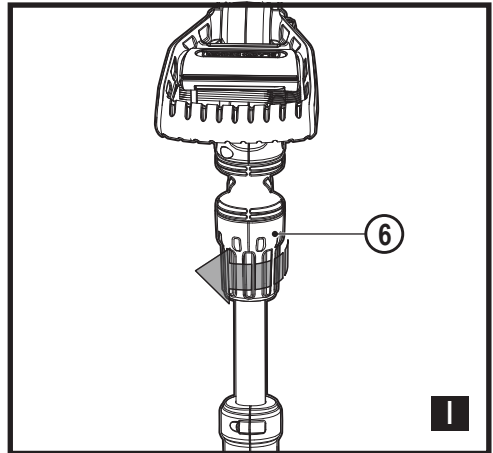
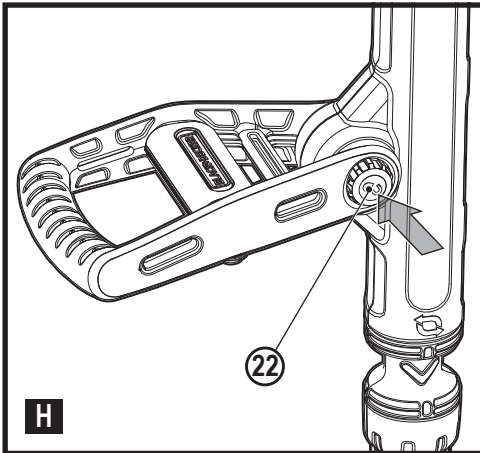
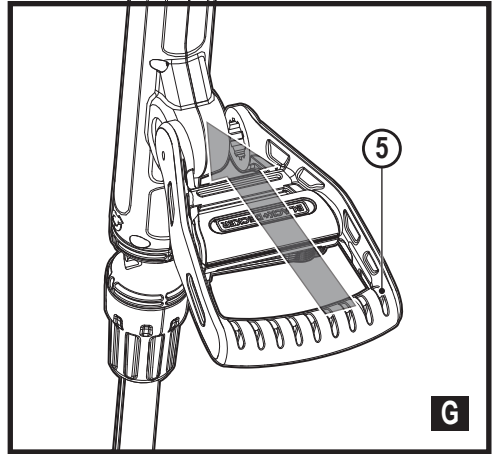
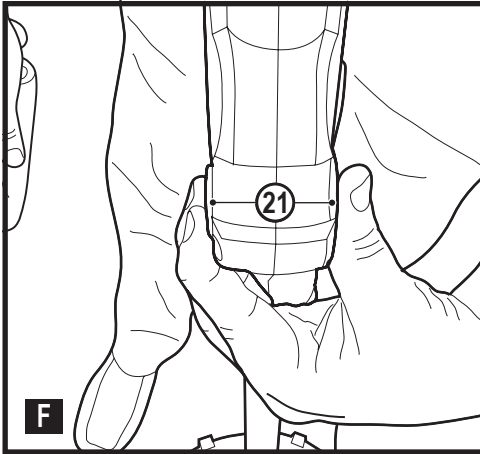


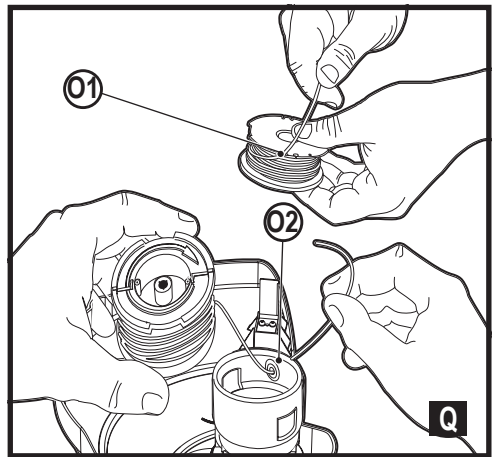
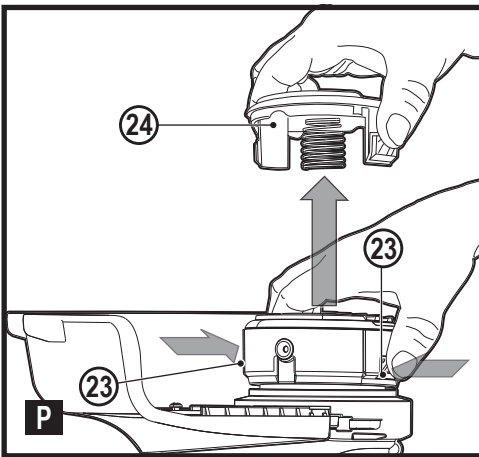
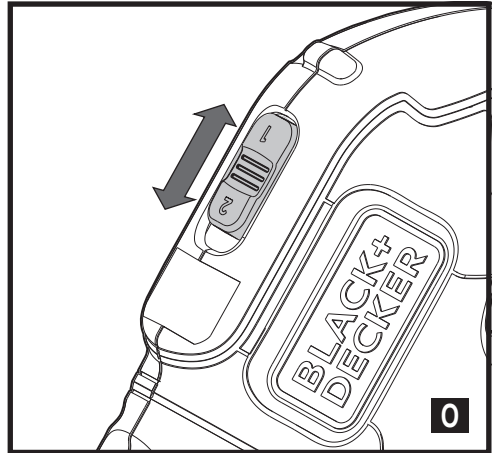
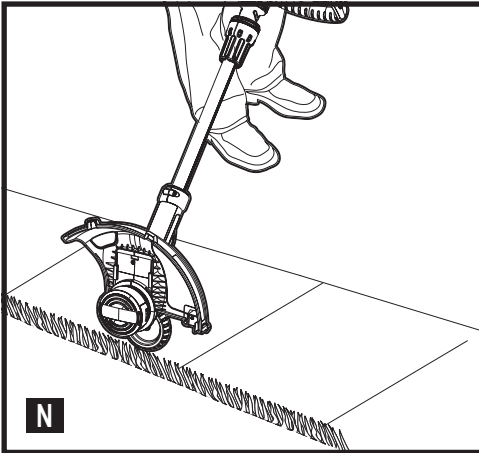
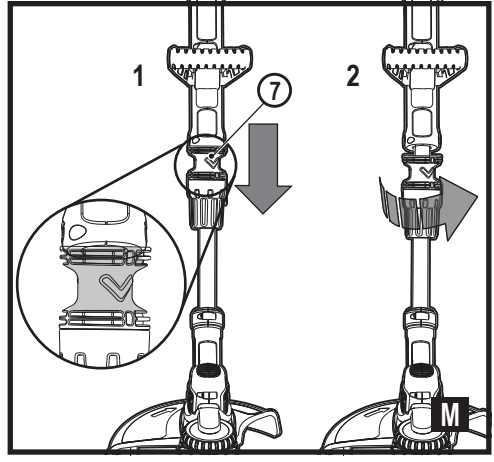
www.blackanddecker.com

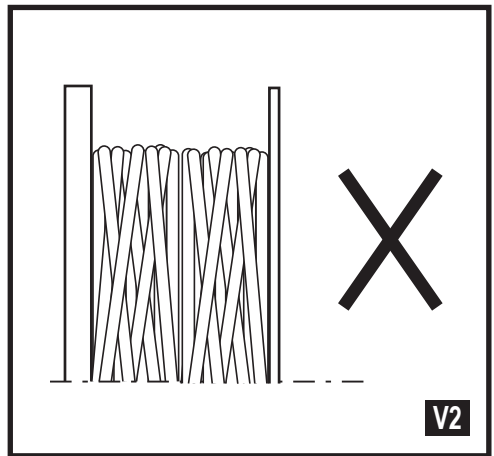
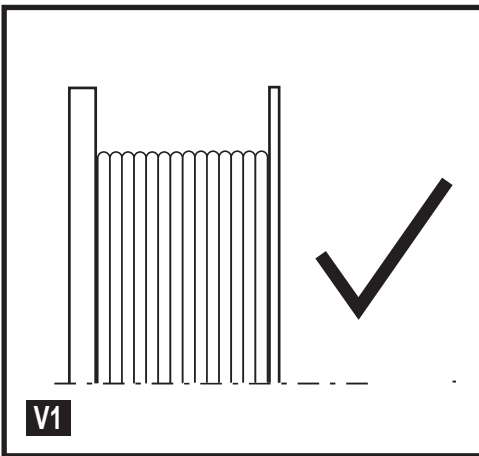
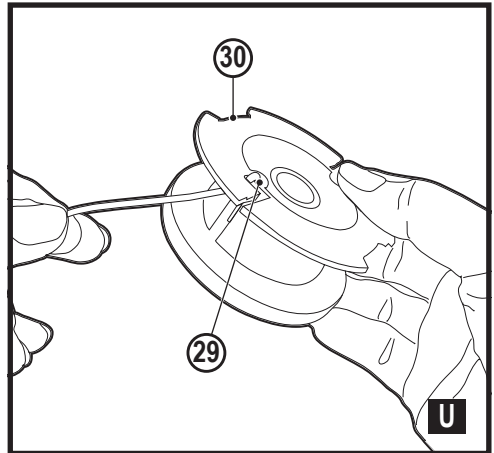
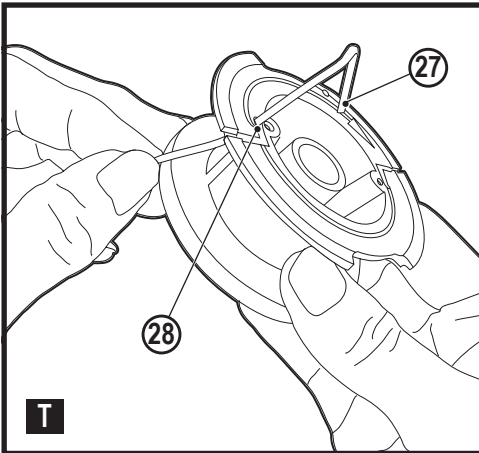
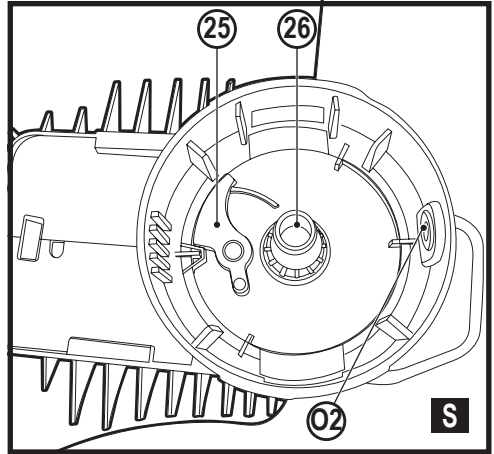
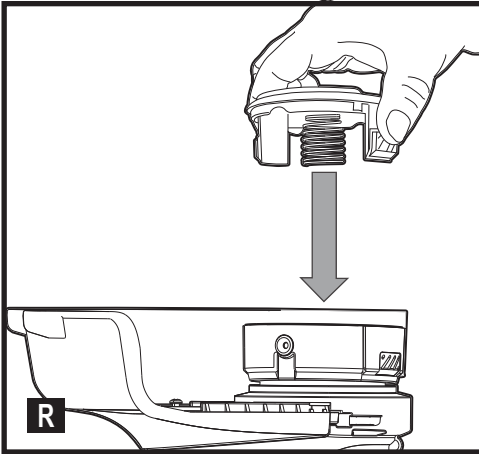
**BCBT1820**

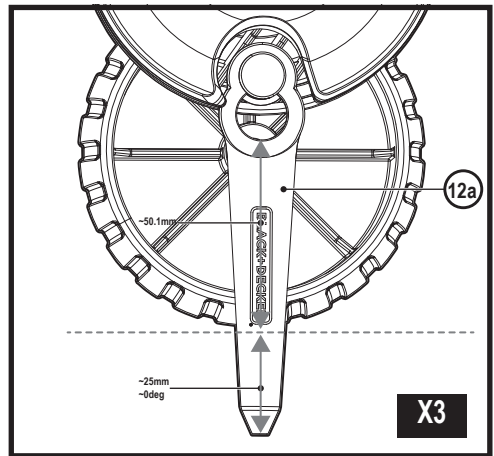
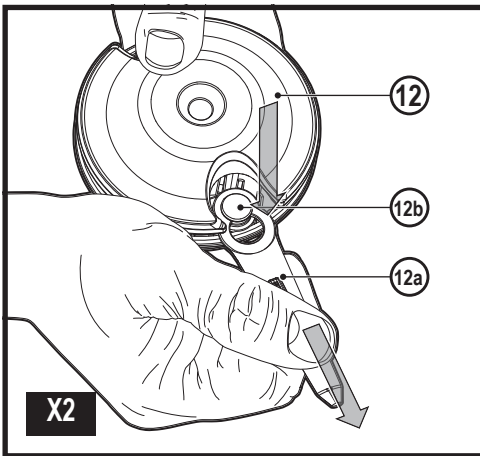
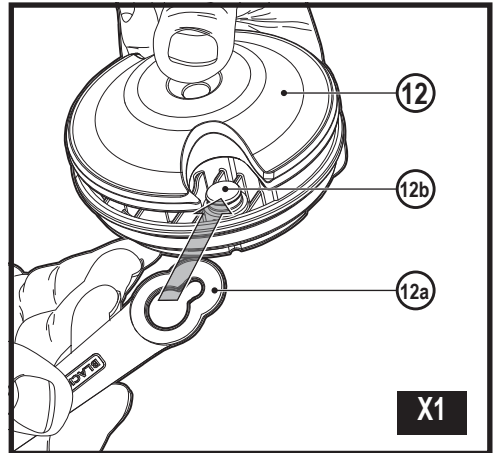
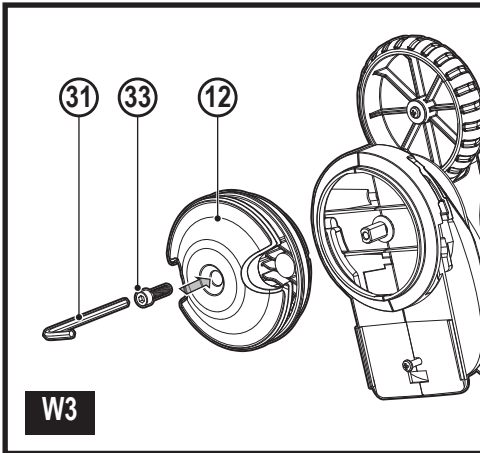
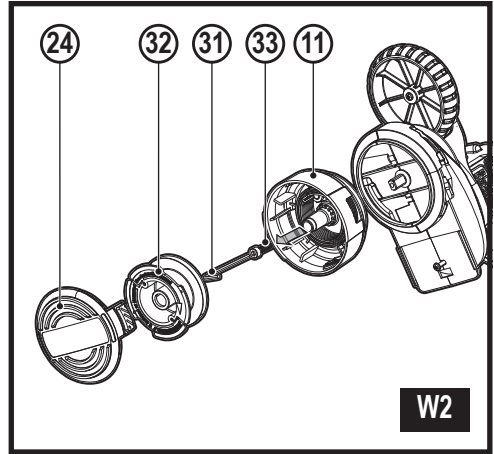
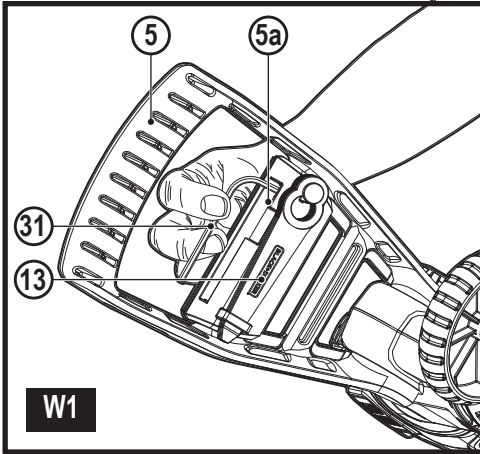
ENGLISH	7
繁體中文	21
Bahasa Indonesia	30
ภาษาไทย	42











## BCBT1820 TRIMMER

### Technical data

Input Voltage	$V_{DC}$	18V DC (20V Max)
No-Load Speed	min <sup>-1</sup>	6000-7400
Weight	kg	2.2Kg

Battery		BL2018	BDL2018S
Voltage	$V_{DC}$	18V (20V max)	18V DC (20V Max)
Capacity	Ah	2.0	2.0
Type		Li-Ion	Li-Ion

Charger		905902**(typ.1)
Input Voltage	$V_{AC}$	100 - 240
Output Voltage	$V_{DC}$	8 - 20
Current	mA	Input: 400

### Intended use

Your BLACK+DECKER BCBT1820 trimmer has been designed for trimming and finishing lawn edges and to cut grass in confined spaces. These appliances are intended for consumer use only.

## Safety instructions

**Warning!** When using mains-powered or Cordless appliances, basic safety precautions, including the following, should always be followed to reduce the risk of fire, electric shock, personal injury and material damage.

**Warning!** When using the machine the safety rules must be followed. For your own safety and bystanders please read these instructions before operating the machine. Please keep the instructions safe for later use.

- ◆ Read all of this manual carefully before operating the appliance.

- ◆ The intended use is described in this manual.  
The use of any accessory or attachment or the performance of any operation with this appliance other than those recommended in this instruction manual may present a risk of personal injury.
- ◆ Retain this manual for future reference.

## General safety warnings



**Warning! Read all safety warnings, instructions, illustrations and specifications provided with this machine.** Failure to follow the warnings and instructions listed below may result in electric shock, fire and/or serious injury.

**Save all warnings and instructions for future reference.** The term "machine" in the warnings refers to your mains-operated (corded) machine or battery-operated (cordless) machine.

### 1. Work area safety

- Keep work area clean and well lit.**  
Cluttered or dark areas invite accidents.
- Do not operate the machine in explosive atmospheres, such as in the presence of flammable liquids, gases or dust.** Blade trimmer create sparks which may ignite the dust or fumes.



**c. Keep children and bystanders away while operating the machine.**

Distractions can cause you to lose control.

**2. Electrical safety**

**a. Machine plugs must match the outlet.**

**Never modify the plug in any way. Do not use any adapter plugs with earthed (grounded) machines.**

Unmodified plugs and matching outlets will reduce risk of electric shock.

**b. Avoid body contact with earthed or grounded surfaces such as pipes, radiators, ranges and refrigerators.**

There is an increased risk of electric shock if your body is earthed or grounded.

**c. Do not expose the machine to rain or wet conditions.** Water entering a machine will increase the risk of electric shock.

**d. Do not abuse the cord. Never use the cord for carrying, pulling or unplugging the machine. Keep cord away from heat, oil, sharp edges or moving parts.**

Damaged or entangled cords increase the risk of electric shock.

**e. When operating the machine outdoors, use an extension cord suitable for outdoor use.** Use of a cord suitable for outdoor use reduces the risk of electric shock.

**f. If operating a machine in a damp location is unavoidable, use a residual current device (RCD) protected supply.** Use of an RCD reduces the risk of electric shock.

**3. Personal safety**

**a. Stay alert, watch what you are doing and use common sense when operating a machine.**

**Do not use a machine while you are tired or under the influence of drugs, alcohol or medication.** A moment of inattention while operating the machine may result in serious personal injury.

**b. Use personal protective equipment. Always wear eye protection.**

Protective equipment such as a dust mask, non-skid safety shoes, hard hat, or hearing protection used for appropriate conditions will reduce personal injuries.

**c. Prevent unintentional starting. Ensure the switch is in the off-position before connecting to power source and/or battery pack, picking up or carrying the tool.** Carrying the machine with your finger on the switch or energising machines that have the switch on invites accidents.

**d. Remove any adjusting key or wrench before turning the machine on.** A wrench or a key left attached to a rotating part of machine may result in personal injury.



**e. Do not overreach. Keep proper footing and balance at all times.**

This enables better control of the machine in unexpected situations.

**f. Dress properly. Do not wear loose clothing or jewellery. Keep your hair, clothing and gloves away from moving parts.** Loose clothes, jewellery or long hair can be caught in moving parts.

**g. If devices are provided for the connection of dust extraction and collection facilities, ensure these are connected and properly used.** Use of dust collection can reduce dust-related hazards.

**h. Do not let familiarity gained from frequent use of tools allow you to become complacent and ignore tool safety principles.** A careless action can cause severe injury within a fraction of a second.

#### **4. Product use and care**

**a. Do not force the machine. Use the correct machine for your application.** The correct machine will do the job better and safer at the rate for which it was designed.

**b. Do not use the machine if the switch does not turn it on and off.** Any products that cannot be controlled with the switch is dangerous and must be repaired.

**c. Disconnect the plug from the power source and/or the battery pack from the machine before making any**

**adjustments, changing accessories, or storing machines.** Such preventive safety measures reduce the risk of starting the machine accidentally.

**d. Store idle machine out of the reach of children and do not allow persons unfamiliar with the machine or these instructions to operate the machine.**

Machines are dangerous in the hands of untrained users.

**e. Maintain products and accessories. Check for misalignment or binding of moving parts, breakage of parts and any other condition that may affect the machine operation. If damaged, have the machine repaired before use.** Many accidents are caused by poorly maintained products.

**f. Keep cutting tools sharp and clean.** Properly maintained cutting tools with sharp cutting edges are less likely to bind and are easier to control.

**g. Use the machine, accessories and tool bits etc. in accordance with these instructions, taking into account the working conditions and the work to be performed.** Use of the machine for operations different from those intended could result in a hazardous situation.

**h. Keep handles and grasping surfaces dry, clean and free from oil and grease.** Slippery handles and grasping surfaces do not allow for safe

handling and control of the tool in unexpected situations.

## 5. Battery tool use and care

- a. **Recharge only with the charger specified by the manufacturer.** A charger that is suitable for one type of battery pack may create a risk of fire when used with another battery pack.
- b. **Use the product only with specifically designated battery packs.** Use of any other battery packs may create a risk of injury and fire.
- c. **When battery pack is not in use, keep it away from other metal objects, like paper clips, coins, keys, nails, screws, or other small metal objects, that can make a connection from one terminal to another.** Shorting the battery terminals together may cause burns or a fire.
- d. **Under abusive conditions, liquid may be ejected from the battery; avoid contact. If contact accidentally occurs, flush with water.** If liquid contacts eyes, additionally seek medical help. Liquid ejected from the battery may cause irritation or burns.
- e. **Do not use a battery pack or tool that is damaged or modified.** Damaged or modified batteries may exhibit unpredictable behaviour resulting in fire, explosion or risk of injury.

- f. **Do not expose a battery pack or tool to fire or excessive temperature.**

Exposure to fire or temperature above 130 °C may cause explosion.

- g. **Follow all charging instructions and do not charge the battery pack or tool outside the temperature range specified in the instructions.**

Charging improperly or at temperatures outside the specified range may damage the battery and increase the risk of fire.

## 6. Service

- a. **Have your machines serviced by a qualified repair person using only identical replacement parts.** This will ensure that the safety of the machine is maintained.
- b. **Never service damaged battery packs.** Service of battery packs should only be performed by the manufacturer or authorized service providers.

## Lawn Trimmer and lawn edge trimmer safety warnings



**Warning!** Additional safety warnings for Lawn trimmer and lawn edge trimmer.

- ◆ **Do not use the machine in bad weather conditions, especially when there is a risk of lightning.** This decreases the risk of being struck by lightning.
- ◆ **Thoroughly inspect the area for wildlife where the machine is to be used.** Wildlife may be injured by the

machine during operation.

- ◆ **Thoroughly inspect the area where the machine is to be used and remove all stones, sticks, wires, bones, and other foreign objects.** Thrown objects can cause personal injury.
  - ◆ **Before using the machine, always visually inspect to see that the cutter and the cutter assembly are not damaged.** Damaged parts increase the risk of injury.
  - ◆ **Check the grass collector frequently for wear or deterioration.** A worn or damaged grass collector may increase the risk of personal injury.
  - ◆ **Keep guards in place. Guards must be in working order and be properly mounted.** A guard that is loose, damaged, or is not functioning correctly may result in personal injury.
  - ◆ **Keep all cooling air inlets clear of debris.** Blocked air inlets and debris may result in overheating or risk of fire.
  - ◆ **Wear eye protection and ear protection.** Adequate protective equipment will reduce personal injury.
  - ◆ **While operating the machine, always wear non-slip and protective footwear. Do not operate the machine when barefoot or wearing open sandals.** This reduces the chance of injury to the feet from contact with the moving cutter.
  - ◆ **Always wear clothing such as trousers that covers the operator's legs while operating the machine.**
- Contact with the moving cutter or line may cause injury.
- ◆ **Keep bystanders away while operating the machine.** Thrown debris can result in serious personal injury.
  - ◆ **Do not operate the machine above waist height.** This helps prevent unintended cutter contact and enables better control of the machine in unexpected situations.
  - ◆ **Exercise caution when operating the machine in wet grass. Walk, never run.** This reduces the risk of slipping and falling which may result in personal injury.
  - ◆ **Do not operate the machine on excessively steep slopes.** This reduces the risk of loss of control, slipping and falling which may result in personal injury.
  - ◆ **When working on slopes, always be sure of your footing, always work across the face of slopes, never up or down and exercise extreme caution when changing direction.** This reduces the risk of loss of control, slipping and falling which may result in personal injury.
  - ◆ **Keep all power cords and cables away from cutting area.** Power cords or cables may be hidden in hedges or bushes and can be accidentally cut or damaged by the line or cutter.

- ◆ **Keep all parts of the body away from the moving trimmer cutter or line. Do not clear material from the machine until it has been disconnected from the power source.** The moving trimmer cutter or line may result in serious personal injury.
- ◆ **Carry the machine with the machine switched off and away from your body.** Proper handling of the machine will reduce the likelihood of accidental contact with a moving trimmer cutter or line.
- ◆ **Only use replacement cutting heads and trimmer cutters or lines specified by the manufacturer. Do not replace the trimmer cutters or lines with metal wires or blades.** Incorrect replacement parts may cause loss of control, breakage and injury.
- ◆ This appliance is not to be used as a toy.
- ◆ Only use the appliance in daylight or good artificial light.
- ◆ Use in a dry location only. Do not allow the appliance to become wet.
- ◆ Avoid using the appliance in bad weather conditions, especially when there is a risk of lightning.
- ◆ Do not immerse the appliance in water.
- ◆ Do not open the body casing. There are not user-serviceable parts inside.
- ◆ Do not operate the appliance in explosive atmospheres, such as in the presence of flammable liquids, gases or dust.
- ◆ To reduce the risk of damage to plugs or cords, never pull the cable to remove the plug from a socket.
- ◆ The appliance is only to be used with the power supply unit provided with the appliance.

## Using your appliance

Always take care when using the appliance.

- ◆ Always use safety glasses or goggles.
- ◆ Never allow children or people unfamiliar with the instructions to use the appliance.
- ◆ Do not allow children or animals to come near the work area or to touch the appliance or power supply cord.
- ◆ Close supervision is necessary when the appliance is used near children.
- ◆ This appliance is not intended for use by young or infirm persons without supervision.

## Safety of others

- ◆ This appliance is not intended for use by persons (including children) with reduced physical, sensory or mental capabilities, or lack of experience and knowledge, unless they have been given supervision or instruction concerning use of the appliance by a person responsible for their safety..
- ◆ Children should be supervised to ensure that they do not play with the appliance.

## Residual risks.

Additional residual risks may arise when using the tool which may not be included in the enclosed safety warnings.

These risks can arise from misuse, prolonged use etc.

Even with the application of the relevant safety regulations and the implementation of safety devices, certain residual risks can not be avoided. These include:

- ◆ Injuries caused by touching any rotating/moving parts.
- ◆ Injuries caused when changing any parts, blades or accessories.
- ◆ Injuries caused by prolonged use of a tool. When using any tool for prolonged periods ensure you take regular breaks.
- ◆ Impairment of hearing.
- ◆ Health hazards caused by breathing dust developed when using your tool (example:- working with wood, especially oak, beech and MDF.)

## After use

- ◆ When not in use, the appliance should be stored in a dry, well ventilated place out of reach of children.
- ◆ Children should not have access to stored appliances.
- ◆ When the appliance is stored or transported in a vehicle it should be placed in the boot or restrained to prevent movement following sudden changes in speed or direction.

## Inspection and repairs

- ◆ Before use, check the appliance for damaged or defective parts. Check for breakage of parts and any other conditions that may affect its operation.
- ◆ Do not use the appliance if any part is damaged or defective.
- ◆ Have any damaged or defective parts repaired or replaced by an authorised repair agent.
- ◆ Never attempt to remove or replace any parts other than those specified in this manual.

## Additional safety instructions for trimmers

**Warning!** Cutting elements continue to rotate after the motor is switched off.

- ◆ Be familiar with the controls and the proper use of the appliance.
- ◆ Always remove the battery from the appliance whenever the appliance is unattended, before clearing a blockage, before cleaning and maintenance, after striking a foreign object or whenever the appliance starts vibrating abnormally.
- ◆ Do not use the appliance if the cords are damaged or worn.
- ◆ Wear stout shoes or boots to protect your feet.
- ◆ Wear long trousers to protect your legs.
- ◆ Before using the appliance, check that your cutting path is free from sticks, stones, wire and any other obstacles.

- ◆ Only use the appliance in the upright position, with the cutting line near the ground. Never switch the appliance on in any other position.
- ◆ Move slowly when using the appliance. Be aware that freshly cut grass is damp and slippery.
- ◆ Do not work on steep slopes. Work across the face of slopes, not up and down.
- ◆ Never cross gravel paths or roads while the appliance is running.
- ◆ Never touch the cutting line while the appliance is running.
- ◆ Do not put the appliance down until the cutting line has come to a complete standstill.
- ◆ Use only the appropriate type of cutting line or BLACK+DECKER Resin blades. Never use metal cutting line or fishing line.
- ◆ Be careful not to touch the line trimming blade.
- ◆ Take care to keep the mains cable away from the cutting line. Always be aware of the position of the cable.
- ◆ Keep hands and feet away from the cutting line at all times, especially when switching on the motor.
- ◆ Before using the appliance and after any impact, check for signs of wear or damage and repair as necessary.
- ◆ Never operate the appliance with damaged guards or without guards in place.
- ◆ Take care against injury from any device fitted for trimming the filament line length. After extending new cutter line always return the machine to its normal operating position before switching on.
- ◆ Always ensure that the ventilation slots are kept clear of debris.
- ◆ Do not use the lawn trimmer (edge trimmer), if the cords are damaged or worn.
- ◆ Keep extension cords away from cutting elements.

## **Additional safety instructions for batteries and chargers**

### **Batteries**

- ◆ Never attempt to open for any reason.
- ◆ Do not expose the battery to water.
- ◆ Do not store in locations where the temperature may exceed 40 °C.
- ◆ Charge only at ambient temperatures between 10 °C and 40 °C.
- ◆ Charge only using the charger provided with the tool.
- ◆ When disposing of batteries, follow the instructions given in the section "Protecting the environment".

### **Chargers**

- ◆ Use your BLACK+DECKER charger only to charge the battery in the tool with which it was supplied. Other batteries could burst, causing personal injury and damage.
- ◆ Never attempt to charge non-rechargeable batteries.

- ◆ Have defective cords replaced immediately.
- ◆ Do not expose the charger to water.
- ◆ Do not open the charger.
- ◆ Do not probe the charger.



The charger is intended for indoor use only.



Read the instruction manual before use.

## Electrical safety



Your charger is double insulated; therefore no earth wire is required. Always check that the mains voltage corresponds to the voltage on the rating plate.

Never attempt to replace the charger unit with a regular mains plug.

- ◆ If the supply cord is damaged, it must be replaced by the manufacturer or an authorised BLACK+DECKER Service Centre in order to avoid a hazard.

### Labels on appliance

The following warning symbols are found on the appliance along with the date code:



Read the manual prior to operation.



Wear safety glasses or goggles when operating this appliance.



Wear suitable ear protectors when operating this appliance.



Always remove the battery from the appliance before performing any cleaning or maintenance.



Beware of flying objects. Keep bystanders away from the cutting area.



Do not expose the appliance to rain or high humidity.



Do not use metal blades.

## Features

This appliance includes some or all of the following features.

1. Trigger
2. Lock off button
3. Handle
4. Speed control switch
5. Auxiliary handle
6. Height adjust collar
7. Flip to edge collar
8. Trimmer head
9. Edge wheel
10. Guard
11. Spool housing
12. Resin blade Housing
13. Resin blade storage
14. Battery

### Charging the battery (Fig. A)

The battery needs to be charged before first use and whenever it fails to produce sufficient power on jobs that were easily done before.

The battery may become warm while charging; this is normal and does not indicate a problem.

**Warning!** Do not charge the battery at ambient temperatures below 10 °C or above 40 °C. Recommended charging temperature: approx. 24 °C.

**Note:** The charger will not charge a battery if the cell temperature is below approximately 10 °C or above 40 °C.

**The battery should be left in the charger and the charger will begin to charge automatically when the cell temperature warms up or cools down.**

- ◆ Plug the charger into an appropriate outlet before inserting the battery pack.
- ◆ Insert the battery pack into the charger.



The green LED will flash indicating that the battery is being charged.





The completion of charge is indicated by the green LED remaining on continuously. The pack is fully charged and may be used at this time or left in the charger

**Warning!** Recharge discharged batteries as soon as possible after use or battery life may be greatly diminished.

**Charger diagnostics**

This charger is designed to detect certain problems that can arise with the battery packs or the power source. Problems are indicated by one LED flashing in different patterns.

**Bad Battery**



The charger can detect a weak or damaged battery. The red LED flashes in the pattern indicated on the label. If you see this bad battery blink pattern, do not continue to charge the battery. Return it to a service centre or a collection site for recycling

**Hot/Cold Pack Delay**



When the charger detects a battery that is excessively hot or excessively cold, it automatically starts a Hot/Cold Pack delay, suspending charging until the battery has normalised.

After this happens, the charger automatically switches to the Pack Charging mode. This feature ensures maximum battery life. The red LED flashes in the pattern indicated on the label when the Hot/Cold pack delay is detected.

**Leaving the battery in the charger**

The charger and battery pack can be left connected with the LED glowing indefinitely. The charger will keep the battery pack fresh and fully charged.

**Important charging notes**

- ◆ Longest life and best performance can be obtained if the battery pack is charged when the air temperature is between 65°F and 75°F (18°- 24°C). DO NOT charge the battery pack in an air temperature below +40°F (+4.5°C), or above +105°F (+40.5°C). This is important and will prevent serious damage to the battery pack .
- ◆ The charger and battery pack may become warm to touch while charging. This is a normal condition, and does not indicate a problem. To facilitate the cooling of the battery pack after use, avoid placing the charger or battery pack in a warm environment such as in a metal shed, or an uninsulated trailer
- ◆ If the battery pack does not charge properly:

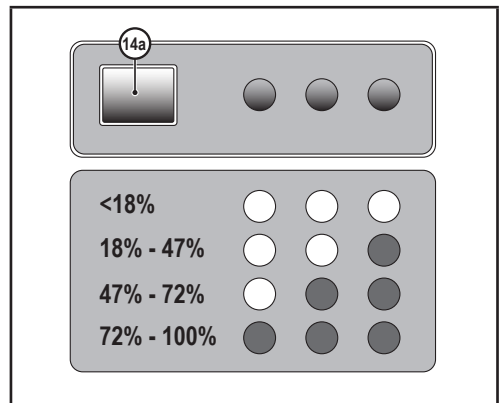
- ◆ Check current at receptacle by plugging in a lamp or other appliance
- ◆ Check to see if receptacle is connected to a light switch which turns power off when you turn out the lights.
- ◆ Move charger and battery pack to a location where the surrounding air temperature is approximately 65°F - 75°F (18°- 24°C).
- ◆ If charging problems persist, take the appliance, battery pack and charger to your local service center.
- ◆ The battery pack should be recharged when it fails to produce sufficient power on jobs which were easily done previously. DO NOT CONTINUE to use under these conditions. Follow the charging procedure. You may also charge a partially used pack whenever you desire with no adverse affect on the battery pack.
- ◆ Foreign materials of a conductive nature such as, but not limited to, steel wool, aluminium foil, or any buildup of metallic particles should be kept away from charger cavities. Always unplug the charger from the power supply when there is no battery pack in the cavity. Unplug charger before attempting to clean.
- ◆ Do not freeze or immerse charger in water or any other liquid.

**Warning!** Shock hazard. Do not allow any liquid to get inside charger. Never attempt to open the battery pack for any reason.

If the plastic housing of the battery pack breaks or cracks, return to a service center for recycling.

**Battery state of charge indicator (Fig. A1)**

The battery includes a state of charge indicator to quickly determine the extent of battery life as shown in figure A1. By pressing the state of charge button (14a) you can easily view the charge remaining in the battery as illustrated in figure A1.



## Installing and removing the battery pack from the appliance

**Warning!** Make certain the lock-off button is not engaged to prevent switch actuation before removing or installing battery.

### To install battery pack

Insert battery (14) into appliance until an audible click is heard (Figure B). Ensure battery pack is fully seated and fully latched into position.

### To remove battery pack

Depress the battery release button (14b) as shown in Figure C and pull battery pack out of appliance.

## Assembly

**Warning!** Before assembly, make sure that the tool is switched off and the battery has been removed.

### Assembly tools required (not supplied):

Phillips Screwdriver.

### Fitting the guard

**Warning!** Remove the battery from the appliance before attempting to attach the guard, edge guide or handle. Never operate appliance without guard firmly in place. The guard must always be on the appliance to protect the user.

- ◆ Remove the screw from the guard.
- ◆ Turn the trimmer upside down so that you are looking down at the spool cap (11).
- ◆ Turn the guard (10) upside down and slide it fully onto the motor housing (16). Make sure the tabs (17) on the guard engage the ribs (18) on the motor housing as shown.
- ◆ Continue to slide the guard on until you hear it “snap” into place. The locking tab (19) should snap into the housing slot (20).
- ◆ Using a phillips screwdriver, insert the guard screw and tighten securely as shown in Figure E to complete the guard assembly.
- ◆ Once the guard is installed, remove the covering from the line cut-off blade, located on the edge of the guard.

**Warning!** Never use the tool unless the guard is properly fitted.

### Attaching the auxiliary handle

- ◆ To attach the handle, press in on the buttons (21) on both sides of the upper housing as shown in Figure F.
- ◆ Position the handle as shown in Figure G (with the BLACK+DECKER logo facing upward). Partially push the handle on so it will hold the buttons in when you release them with your hand.
- ◆ Push the handle completely onto the housing and position it slightly until it “snaps” into place.
- ◆ To adjust the handle up or down, press in on the button (22) and raise or lower the handle (Figure H).
- ◆ The handle should be adjusted so that your front arm is straight when the trimmer is in the working position.

## Height adjustment

**Warning!** Adjust the length of the trimmer to obtain proper working positions shown.

- ◆ The overall height of the trimmer can be adjusted by loosening the height-adjust collar (6) by rotating it in the direction of the arrow shown in Figure I.
- ◆ Move the upper housing straight up or down. When the desired height is achieved, tighten the collar by rotating it opposite of the direction shown in Figure I.

## Operation

**Warning!** Always use proper eye protection.

**Warning!** Before you begin trimming, only use the appropriate type of cutting line or blade.

**Note:** inspect area to be trimmed and remove any wire, cord, or string-like objects which could become entangled in the rotating line, spool or blade head. Be particularly careful to avoid any wire which might be bent outwardly into the path of the appliance, such as barbs at the base of a chain link fence.

### Switching on and off

- ◆ To switch the appliance on, push the lock-off button (2), and squeeze the trigger (1).
- ◆ To switch the appliance off, release the trigger.

### Operating the trimmer

- ◆ With the unit on, angle unit and slowly swing the trimmer side to side as shown in Figure J.
- ◆ Maintain a cutting angle of 5° to 10° as shown in Figure K. Do not exceed 10° (Figure K). Cut with the tip of the line or blade. To keep distance from hard surfaces use edge wheel (9).
- ◆ Maintain a minimum distance of 60 cm between the guard and your feet as shown in Figure L. To achieve this distance adjust the overall height of the trimmer as shown in Figure I.

### Convert to edging mode

**Warning!** The wheeled edge guide should only be used when in the edging mode. The trimmer can be used in trimming mode or edging mode to trim overhanging grass along lawn edges and flower beds. For edging, the trimmer head should be in the position shown in Figure M. If it is not:

- ◆ Remove the battery from the trimmer.
- ◆ Grasp the flip-to-edge collar (7) and push down as shown in part 1 of Figure M.
- ◆ Rotate the flip-to-edge collar 180° counterclockwise as shown in part 2, until the handle snaps back into the upper half of the trimmer.
- ◆ To return to trimming position, pull the flip-to-edge collar down and rotate the head clockwise back to its original position.

**Note:** You will experience faster than normal cutting line wear if the trimmer line is positioned directly over the sidewalk or abrasive surface.

## Edging

**Warning!** When being used as an Edger, stones, pieces of metal and other objects can be thrown out at high speed by the line or blade. The trimmer and guard are designed to reduce the danger. However, **MAKE SURE** that other persons and pets are at least 30m away. Optimum cutting results are achieved on edges deeper than 50 mm.

- ◆ Do not use this trimmer to create trenches.
- ◆ Using the edging wheel (9), guide the trimmer as shown in Figure N.
- ◆ Position the edging wheel on the edge of the sidewalk or abrasive surface so the cutting line is over the grass or dirt area to be edged.
- ◆ To make a closer cut, slightly tilt the trimmer.

## Speed control & runtime extension mode

This string trimmer gives you the choice to operate at a more efficient speed to extend the runtime for larger jobs, or accelerate the trimmer speed for high-performance cutting (Figure O).

- ◆ To extend runtime, pull the speed-control switch (4) back toward the battery (12) into position #1. This mode is best for larger projects that require more time to complete.
- ◆ To accelerate the trimmer, push the speed-control switch forward toward the trimmer head (8) into position #2. This mode is best to cut through heavier growth and for applications that need higher RPM.

**Note:** When in acceleration mode (#2), runtime will be decreased as compared to when trimmer is in extended runtime mode (#1).

## Helpful cutting tips

- ◆ Use the tip of the string or blade to do the cutting; do not force string head into uncut grass. Use edge guide along such things as fences, houses and flower beds for best practices.
- ◆ Wire and picket fences cause extra string wear, even breakage. Stone and brick walls, curbs, and wood may wear string or blade rapidly.
- ◆ Do not allow spool cap to drag on ground or other surfaces.
- ◆ In long growth cut from the top down and do not exceed 300 mm high.
- ◆ Keep trimmer tilted toward the area being cut; this is the best cutting area.
- ◆ The trimmer cuts when passing the unit from the right to left. This will avoid throwing debris at the operator.
- ◆ Avoid trees and shrubs. Tree bark, wood moldings, siding, and fence posts can easily be damaged by the string.

## Cutting line / line feeding

Your trimmer uses 1.65 mm diameter, Round nylon line. During use, the tips of the nylon lines will become frayed and worn and the special self feeding spool will automatically feed and trim a fresh length of line. Cutting line will wear faster and

require more feeding if the cutting or edging is done along sidewalks or other abrasive surfaces or heavier weeds are being cut. The advanced automatic line feeding mechanism senses when more cutting line is needed and feeds and trims the correct length of line whenever it's required. Do not bump unit on ground in attempt to feed line or for any other purposes.

## Clearing jams and tangled line (Figures P, Q, R)

**Warning!** Remove the battery from the trimmer before making any assembly, adjustments or changing accessories. Such preventive safety measures reduce the risk of starting the appliance accidentally. From time to time, especially when cutting thick or stalky weeds, the line feeding hub may become clogged with sap or other material and the line will become jammed as a result. To clear the jam, follow the steps listed below.

- ◆ Remove the battery from the trimmer.
- ◆ Press the release tabs (23) on the line spool cap (24), as shown in Figure P and remove the cap by pulling it straight off.
- ◆ Pull the nylon line spool out and clear any broken line or cutting debris from the spool area.
- ◆ Place spool and line into spool cap with line "parked" in slots provided as shown in Figure O1.
- ◆ Insert the line end through the appropriate hole in the spool housing. Pull slack line through until it pulls out of the holding slots as shown in Figure O2.
- ◆ Press the spool down gently and rotate it until you feel it drop into place and then push to snap into place. (When in place, the spool will turn a few degrees left and right freely).
- ◆ Take care to keep the line from becoming trapped under the spool.
- ◆ Align the spool cap tabs with the slots on the spool housing.
- ◆ Snap the spool cap back on as shown in Figure R by depressing lugs and pressing into spool housing.

**Note:** Make sure that cover is fully positioned, listen for two audible clicks to ensure both lugs are correctly located. Power the appliance on. In a few seconds or less you'll hear the nylon line being cut automatically to the proper length.

**Warning!** To avoid appliance damage, if the cutting line protrudes beyond the trimming blade, cut it off so that it just reaches the blade.

**Note:** Other replacement parts (guards, spool caps, etc.) are available through BLACK+DECKER service centers. To find your local service location visit [www.blackanddecker.com](http://www.blackanddecker.com).

**Warning!** The use of any accessory not recommended by BLACK+DECKER for use with this appliance could be hazardous.

## Replacing the spool

- ◆ Remove battery from appliance.
- ◆ Depress the tabs (23) and remove the spool cap (24) from

the spool housing (11) (Figure S).

- ◆ Grasp empty spool with one hand and spool housing with other hand and pull spool out.
- ◆ If lever (25) (Figure S) in base of housing becomes dislodged, replace in correct position before inserting new spool into housing.
- ◆ Remove any dirt and grass from the spool and housing.
- ◆ Unfasten the end of the cutting line and guide the line into the eyelet (O2) Figure S.
- ◆ Take the new spool and push it onto the boss (26) (Figure S) in the housing. Rotate the spool slightly until it is seated. The line should protrude approximately 136mm from the housing.
- ◆ Align the tabs on the spool cap with the slots in the housing.
- ◆ Push the cap onto the housing until it snaps securely into place.

### Rewinding spool from bulk line

Bulk line is also available for purchase from your local retailer. Note: Hand wound spools from bulk line are likely to become tangled more frequently than BLACK+DECKER factory wound spools.

For best results, factory wound spools are recommended. To install bulk line, follow the steps below:

- ◆ Remove battery from appliance.
- ◆ Remove the empty spool from the appliance as described in "Replacing the spool."
- ◆ Remove any remaining cutting line from the spool.
- ◆ Make a fold at the end of the cutting line at about 19mm (27). Feed the cutting line into one of the line anchoring slots (28) as shown in Figure T.
- ◆ Insert the 19mm end of the bulk line into the hole (29) in the spool adjacent to the slot as shown in Figure U. Make sure the line is pulled tight against the spool as shown in Figure U.
- ◆ Wind the cutting line onto the spool in the direction of the arrow on the spool. Make sure to wind the line on neatly and in layers. Do not crisscross (Figure V1).
- ◆ When the wound cutting line reaches the recesses (30), cut the line (Figure U).
- ◆ Fit the spool onto the appliance as described in "Replacing the spool".

### Replacing string unit with resin blade unit.

#### (Fig W1-W3)

- ◆ Locate Allen Key (31) in its storage area in (5a) located above Resin blade storage (13) on Auxilliary handle (5), as shown in Figure W1.
- ◆ Remove Spool cap (24) and remove spool (32) from spool housing (11).
- ◆ Unscrew the screw (33) counter clockwise, using the Allen Key (31) and remove from Motor unit. As shown in Figure W2.
- ◆ Locate the resin blade unit (12) onto the drive shaft in the

motor unit and secure with screw (33) using the Allen Key (31).

### Fitting resin blades to Resin blade unit (Fig. X1, X2, X3)

- ◆ Slip large diameter hole on resin blade (12a) over silver post (12b) on resin blade unit (12) as shown in Figure X1.
- ◆ Push down to align with cutout.
- ◆ Pull outwards until you hear/feel a 'click' as shown in Figure X2.
- ◆ Replace blades when they reduce in length (as shown in image X3) to less than 50mm.
- ◆ Always replace both blades at the same time.
- ◆ Always ensure that both cutting blades are properly mounted before starting work.
- ◆ Operating the trimmer with only one blade will reduce cutting performance and may damage the trimmer.

### Replacing resin blade unit with string unit.

#### (Fig W1-W3)

- ◆ Locate Allen Key (31) in its storage area in (5a) located above Resin blade storage (13) on Auxilliary handle (5), as shown in Figure W1.
- ◆ Insert tool into hole in resin blade unit (12) and find head of screw. Unscrew screw (33).
- ◆ When screw (33) is loose, remove from head housing along with head and set aside.
- ◆ Remove cap from string spool housing.
- ◆ Locate spool driving feature on shaft. Housing should slip into place.
- ◆ Place screw in center column of spool housing.
- ◆ Tighten screw.
- ◆ Replace spool housing cap.

### Optional Replacement Parts

Replacement blades: **BZORB20**

Blade to String conversion kit: **BZOB2S1**

String to blade conversion kit: **BZOS2B1**

### Maintenance

Your BLACK+DECKER corded/cordless appliance/tool has been designed to operate over a long period of time with a minimum of maintenance.

Continuous satisfactory operation depends upon proper tool/appliance care and regular cleaning.

Your charger does not require any maintenance apart from regular cleaning.

**Warning!** Before performing any maintenance on corded/cordless power tools:

- ◆ Switch off and unplug the appliance/tool.
- ◆ Or switch off and remove the battery from the appliance/tool if the appliance/tool has a separate battery pack.
- ◆ Or run the battery down completely if it is integral and then switch off.
- ◆ Unplug the charger before cleaning it. Your charger does

not require any maintenance apart from regular cleaning.

- ◆ Regularly clean the ventilation slots in your tool/appliance and charger using a soft brush or dry cloth.
- ◆ Regularly clean the motor housing using a damp cloth. Do not use any abrasive or solvent-based cleaner.
- ◆ Regularly clean cutting line, spool and/or blade using a soft brush or dry cloth.
- ◆ Regularly use a blunt scraper to remove grass and dirt from the underneath of the guard.

**Troubleshooting**

Problem	Solution
Appliance runs slowly.	Remove battery from trimmer. Check that spool housing or resin blade head can rotate freely. Carefully clean it if necessary. Check that the cutting line does not protrude more than approximately 122mm from the spool. If it does, cut it off so that it just reaches the line trimming blade

Automatic line feed does not feed line.	More line is fed when the line shortens to approximately 76mm. To determine if the line is not feeding, let line wear past this point. Keep the tabs depressed and remove the spoolcap with the spool from the spool housing in the trimmer head. Ensure that the line is not crisscrossed on the spool as detailed in (Fig.T). If it is unwind the cutting line and rewind it neatly. Inspect tracks at the bottom of spool for damage. If damaged, replace spool. Pull the cutting line until it protrudes approximately 122mm from the spool. If insufficient cutting line is left on the spool, install a new spool of cutting line. Align the tabs on the spool cap with the cut outs in the housing. Push the spool cap onto the housing until it snaps securely into place. If the cutting line protrudes beyond the trimming blade, cut it off so that it just reaches the blade. If the automatic line feed still does not work or the spool is jammed, try the following suggestions: Carefully clean the spool and housing. Make sure you are using correct line size and diameter (2.00 mm) - smaller and larger line sizes will affect the functionality of the auto feed system. Remove the spool and check if the lever in the spool housing can move freely. Remove the spool and unwind the cutting line, then wind it on neatly again. Replace the spool into the housing.
Overfeeding	Ensure you are cutting with the tip of the line 177mm from the spool. Use the edge guide if needed to ensure proper space is maintained. Ensure you are not exceeding a 10° angle as shown in (Fig.M). Avoid contact of the line with hard surfaces such as brick, concrete, wood etc. This will prevent excessive wear and/or overfeed of line. Cut with the tip of the line
Line unravels when cap or spool is removed	Make sure to park the lines in holding slots (Figure R) before removing.

**Protecting the environment**



Separate collection. Products and batteries marked with this symbol must not be disposed of with normal household waste.

Products and batteries contain materials that can be recovered or recycled reducing demand for raw materials. Please recycle electrical products and batteries according to local provisions.

**Service Information**

BLACK+DECKER offers a full network of company-owned and authorized service locations throughout Asia. All BLACK+DECKER Service Centers are staffed with trained personnel to provide customers with efficient and reliable product service.

Whether you need technical advice, repair, or genuine factory replacement parts, contact the BLACK+DECKER location nearest to you.

**Note**

- BLACK+DECKER's policy is one of continuous improvement to our products and, as such, we reserve the right to change product specifications without prior notice.
- Standard equipment and accessories may vary by country.
- Product specifications may differ by country.
- Complete product range may not be available in all countries. Contact your local BLACK+DECKER dealers for range availability.

# BCBT1820 20V Max 鋰電兩用割草機 ( 塑膠刀 片 / 尼龍繩 )

## 技術資料

輸入電壓	$V_{DC}$	18V DC (20V Max)
無負荷轉速	$min^{-1}$	6000/7400
重量	公斤	2.2

電池		BL2018	BDL2018S
電壓	$V_{DC}$	18V (20V max)	18V DC (20V Max)
容量	Ah	2.0	2.0
類型		鋰電池	鋰電池

充電器		LCS1620
輸入電壓	$V_{AC}$	100 - 240
輸出電壓	$V_{DC}$	8 - 20
電流	mA	輸出: 400

20V Max 為最大初始電壓(無負載電壓), 標稱電壓為18V。60V Max 為最大初始電壓(無負載電壓), 標稱電壓為54V。

## 設計用途

您的BLACK+DECKER BCBT1820 20V Max鋰電兩用割草機(塑膠刀片/尼龍繩)適用於修整草坪邊緣, 在狹小空間內割草。本工具僅供一般消費者DIY家庭使用, 營業性使用者不適用BLACK+DECKER百得一年保修條款。

請注意! 各地區上市產品/配件不盡相同, 請依台灣繁體中文說明書的內容為主。

## 安全說明

**警告!** 在使用電源供電/無線電器時, 務必遵守包括以下內容在內的基本安全防範措施, 降低發生火災、觸電、人身傷害和材料損壞的風險。

**警告!** 使用該工具時, 請務必遵守安全規則。為保護您和周圍人員之安全, 請在操作該工具前, 認真閱讀相關說明。請妥善保存這些說明, 以備今後查閱。

- ◆ 在操作該設備前, 請認真閱讀該說明手冊。
- ◆ 該說明書介紹了這款工具的目的用途。  
為該工具使用非本說明手冊建議的任何配件, 或將該工具用於非本說明手冊建議的任何操作, 均存在造成人身傷害的風險。
- ◆ 請妥善保管該手冊, 以備將來使用。

## 通用安全警告



**警告!** 請閱讀本工具提供的所有安全警告、說明、插圖和規格。不遵循下列的指示可能會導致觸電、火災及/或嚴重傷害。

保存所有警告和說明書以備今後查閱。警告中的“機器”是指通過主電源(有線)操作的機器, 或通過電池(無線)操作的機器。

### 1. 工作場地安全

- 請保持工作場地清潔明亮。混亂或昏暗的場地會引發事故。
- 請勿在易爆環境, 如有易燃液體、氣體或粉塵的環境中操作該機器。刀片式割草機產生的火花會點燃粉塵或氣體。
- 在操作該機器時, 請將兒童和旁觀者遠離。分心會導致您疏忽於控制。

### 2. 電氣安全

- 機器之插頭必須與插座相符。切勿以任何方式改裝插頭。需接地的電動工具不可使用任何配接器插頭。未經改裝的插頭和相符的插座可以減少觸電危險。
- 避免人體接觸接地表面, 如管道、散熱片、爐灶和冰箱。若您的身體接地, 會增加觸電危險。
- 不得將機器暴露在雨中或潮濕環境中。水進入機器會增加觸電危險。
- 請勿濫用電線。不得使用電線來搬運、拉動機器或拔出插頭。請將電線遠離熱、油、銳邊和轉動部件。受損或纏繞的電線會增加觸電危險。
- 如需在戶外使用機器, 請使用適合戶外使用的延長電線。使用適合戶外使用的電線可減少觸電危險。
- 若必須在潮濕場合使用機器, 請使用漏電保護器(RCD)。使用RCD可降低觸電危險。

### 3. 人身安全

- 保持警覺; 在操作電動工具時, 請留意所執行的操作並按照一般的程式執行。請勿在疲倦或在受到毒品、酒精或藥品的影響時使用機器。操作機器期間注意力分散會導致嚴重人身傷害。
- 使用個人防護裝置。始終佩戴護目裝置。防護裝置, 例如在適當條件下使用的防塵面具、防滑安全鞋、安全帽或聽力保護等裝置可減少人身傷害。
- 避免意外啟動。連接電源、電池組、舉抬或搬運電動工具之前, 請確定開關處於關閉位置。若搬運機器時將手指放在開關上, 或者在機器開關開啟時將插頭插入電源插座, 這兩種行為都會引發事故。
- 啟動機器前, 請卸下所有的調整鑰匙或扳手。遺留在機器旋轉部件上的扳手或鑰匙會導致人身傷害。
- 請勿過度伸展雙手。時刻注意腳下與身體的平衡。如此即可在發生意外的情況下更好地控制機器。
- 適當穿著。請勿穿寬鬆衣服或佩戴飾品。請將頭髮、衣服和手套遠離轉動部件。寬鬆衣服、飾品和長髮可能會捲入轉動部件。
- 若配備用於連接排屑裝置和集塵設備的裝置, 請確定正確連接和使用這些裝置。使用集塵設備可減少與粉塵有關的危險。
- 請勿因為頻繁使用工具而產生的熟悉感而掉以輕心, 忽視機器的安全原則。某個粗心的動作可能會在瞬間導致嚴重傷害。

### 4. 產品會用和維護

- 請勿超負荷使用機器。請根據不同應用需求選用合適的機器。若使用的機器正確無誤, 該工具能以設計額定值更有效、更安全地執行工作。



- b. 若開關不能開啟或關閉電源，請勿使用該機器。若開關無法控制機器，則電動工具存在危險，必須予以維修。
- c. 在執行任何調整、更換配件或存放工具之前，必須從機器上拔掉插頭及/或卸下電池組。這類防護性措施可降低機器意外啟動的風險。
- d. 請將閒置的機器存放在兒童無法觸及的地方，同時請勿讓不熟悉機器或對這些使用說明不瞭解的人員操作機器。  
機器在未經培訓的使用者手中會發生危險。
- e. 維護產品和配件。檢查活動部件是否對準或卡住、破損情況以及是否存在影響機器運行的任何其他情況。若有損壞，必須在使用之前修理機器。許多事故都是由於機器欠缺維護所導致。
- f. 保持刀具鋒利和清潔。妥善維護的帶利刃的切削工具不會被輕易卡住，而且更易控制。
- g. 使用電動工具、配件和工具刀頭等時，請遵循這些指示使用，並且亦需考慮工作環境和有待執行的工作。不按照設計目的使用機器會導致危險。
- h. 保持手柄和握持面乾燥、清潔、不油膩。在意外情況下，濕滑的手柄不能保證握持的安全以及對工具的控制。

#### 5. 電池工具的使用與注意事項

- a. 只能使用製造商指定的充電器為電池充電。使用僅適合一種電池組的充電器為其他類型的電池組充電會導致火災風險。
- b. 會用該產品時，請僅使用專門設計的電池組。使用其他非原廠的電池組會導致人身傷害和火災危險。
- c. 不使用電池組時，請將其遠離如迴紋針、硬幣、鑰匙、釘子、螺釘以及其他可連通電池兩極的金屬物品。電池兩極短路會導致灼傷或火災。
- d. 濫用電池的情況下，液體會從電池中噴出；避免與液體接觸。如果不慎接觸到電池液，請用水沖洗。如果電池液接觸到雙眼，請就醫。從電池噴出的液體會刺激皮膚或造成灼傷。
- e. 請勿使用已經損壞或改動的電池組或工具。損壞或改動的電池可能表現出不可預計的行為，導致火災、爆炸或傷害風險。
- f. 請勿讓電池組或工具暴露於火中或過高溫度的環境中。暴露於火中或溫度超過 130°C 的環境中可能導致爆炸。
- g. 請遵循所有充電說明，請勿在說明中規定的溫度範圍以外的環境對電池組或工具充電。不當充電或在指定範圍以外的溫度下充電，可能導致電池損壞並增加火災風險。

#### 6. 檢修

- a. 電動工具之修理，僅可由BLACK+DECKER授權維修中心的技術人員執行。請勿交由非BLACK+DECKER授權維修中心的技術人員進行修理、維護、調整。若產品經由非BLACK+DECKER認證維修中心的技術人員拆解、組裝、調整，恕無法適用BLACK+DECKER百得一年家用保修條款。為充份發揮其功能，修理、維護、調整，請務必使用原廠零件。BLACK+DECKER授權服務中心擁有保修條款解釋權。
- b. 不得維修已經損壞的電池組。電池組的維修應由BLACK+DECKER授權維修中心進行。

## 草坪割草機和草坪邊緣割草機 安全警告



**警告！**面向草坪割草機和草坪邊緣割草機的額外安全警告。

- ◆ 請勿在惡劣天氣，尤其是可能出現閃電的天氣，使用該機器。這有助於降低被閃電擊中之風險。
- ◆ 請徹底檢查將要使用該機器的區域是否存在野生動物。操作該機器時，可能會傷到野生動物。
- ◆ 請徹底檢查將要使用該機器的區域並將石頭、棍子、線纜、骨頭和其他異物全部移除。扔東西可能會造成人員受傷。
- ◆ 在使用機器前，請務必用肉眼檢查切割機和切割器集成是否完好無損。受損的部件會增加受傷的風險。
- ◆ 請經常檢查集草器是否磨損或老化。磨損或已損壞的集草器會增加人身傷害的風險。
- ◆ 請確保護板安裝到位。護板必須安裝正確且能夠正常運轉。鬆動、損壞或存在運轉故障的護板可能會導致人身傷害。
- ◆ 請確保所有進風口內沒有塵土。若進風口堵塞，或進風口內有塵土，會導致機器過熱存在火災風險。
- ◆ 請佩戴保護眼睛和聽力的保護裝置。全套的保護設備可降低人身傷害的風險。
- ◆ 在操作機器時，請穿戴防滑防護鞋。請勿在光腳或穿涼鞋的情況下操作機器。這樣可避免腳部觸碰轉動中的切割器，降低受傷風險。
- ◆ 操作該機器時，請務必穿長褲，以遮蓋操作人員的腿部。觸碰到轉動中的切割器或割草線會導致受傷。
- ◆ 在操作該機器時，請將旁觀者遠離。飛濺的塵土會造成嚴重的人身傷害。
- ◆ 請勿在腰部以上的高度操作該機器。這有助於防止出現不慎觸碰到切割器的情况，還能在意外情況下，更好地控制機器。
- ◆ 若在潮濕的草坪上操作該機器，請多加小心。請步行，不得奔跑。這樣可降低滑倒和摔跤的風險，否則會造成人身傷害。
- ◆ 請勿在過於陡峭的斜坡上操作該機器。這樣可降低失控、滑倒和摔跤的風險，否則會造成人身傷害。
- ◆ 當行走於斜坡上時，請務必確保站穩腳跟，務必沿著坡面橫向（而非上下）操作，同時在變換方向時要極為小心。這樣可降低失控、滑倒和摔跤的風險，否則會造成人身傷害。
- ◆ 請確保所有電線均遠離切割區域。由於電線或線纜可能會隱藏在梳籬或灌木叢中，因此割草線或切割器會不慎將其切斷或損壞。
- ◆ 請將各身體部位遠離轉動的切割器或割草線。先切斷機器電源，再清除機器上的材料。轉動中的切割器或割草線可能會導致嚴重的人身傷害。
- ◆ 搬運機器時，務必關閉其開關，同時確保機器與身體保持距離。妥善處理機器，降低意外觸碰轉動的割草機切割器或割草線的可能性。
- ◆ 僅使用廠商指定的替代切割頭和割草機切割器或割草線。請勿用金屬線或刀片來替代割草機切割器或割草線。若替換部件不適當，可能會導致失控、破損和受傷。



## 設備使用

使用該設備時，請務必多加小心。

- ◆ 務必佩戴安全眼鏡或護目鏡。
- ◆ 不得允許兒童或不熟悉該設備使用說明的人員使用該設備。
- ◆ 請勿允許兒童或動物靠近工作區域，或接觸該設備或電源線。
- ◆ 若在靠近兒童的區域使用該設備，必須進行密切監督。
- ◆ 在沒有他人監督的情況下，兒童或體弱者不適宜使用本工具。
- ◆ 不可將該設備當做玩具玩耍。
- ◆ 僅可在白天或照明充分的環境中使用該設備。
- ◆ 僅在乾燥處使用該設備。請勿讓設備變得潮濕。
- ◆ 請避免在惡劣天氣，尤其是可能出現閃電的天氣，使用該設備。
- ◆ 請勿將該設備浸沒在水中。
- ◆ 請勿擅自打開該設備的外殼。設備內部沒有可由用戶自行維修的部件。
- ◆ 請勿在易爆環境，如有易燃液體、氣體或粉塵的環境中操作該設備。
- ◆ 為降低插頭或電線損壞的風險，當您從插座上拔下插頭時，不得拉拽電線。
- ◆ 該設備只可與隨附電源裝置一同使用。

## 他人的安全

- ◆ 本產品不適合體力、感官或智力不足以及缺乏經驗、知識或技能的人員（包括兒童）使用，除非一旁有能為他們的安全負責並指導工具使用的監督。
- ◆ 應看管好兒童，確保他們不會將此設備當做玩具來玩。

## 其他風險

使用工具時，可能會出現隨附安全警告中未能納入的額外風險。誤用、長時間使用工具等因素會導致這些風險。即使執行了相關安全規定並採用安全設備，仍有一些無法避免的其他風險。此類風險包括：

- ◆ 觸碰任何轉動部件而導致的傷害。
- ◆ 因變更任何零件、刀片或配件而引起的傷害。
- ◆ 因長時間使用工具而引起的傷害。若長時間使用工具，請確定時休息。
- ◆ 聽力受損。
- ◆ 使用工具時，吸入由此產生的粉塵（例如：加工木材，尤其是橡木、樺木和MDF）。

## 使用後

- ◆ 當不使用該設備時，應將其存放在兒童接觸不到且通風良好的乾燥處。
- ◆ 應避免讓兒童接觸到存放的設備。
- ◆ 若將設備存放在車輛中，或用車輛運輸設備時，應將其放置在行李箱中或加以固定，防止行駛途中由於突然轉向或變速而導致設備發生移動。

## 檢查和維修

- ◆ 在使用前，請先檢查設備上有哪些部件已經更換或存在故障。請檢查設備上的故障部件或可能影響操作的任何其他情況。
- ◆ 如果部件損壞，或存在故障，請勿使用該設備。

- ◆ 請聯繫BLACK+DECKER授權維修中心進行維修或更換任何損壞或存在故障的部件。
- ◆ 除該手冊中規定的物件外，不得試圖拆除或更換任何部件。

## 使用割草機的附加安全說明

**警告！**關閉電機後，切割件會持續轉動。

- ◆ 請熟悉該設備的控制操作和恰當用法。
- ◆ 在以下情況中，請務必取下電池：設備無人看管時，清理堵塞前，清潔和養護前，觸碰異物後，或設備開始出現異常振動時。
- ◆ 如果電線損壞或磨損，請勿使用該設備。
- ◆ 請穿著結實的鞋、靴以保護腳部。
- ◆ 請穿長褲，保護雙腿。
- ◆ 使用該設備前，請檢查切割路徑上沒有棍子、石頭、線和任何其他障礙物。
- ◆ 僅可以直立位置使用該設備，同時確保割草線貼近地面。不得在任何其他位置打開該設備。
- ◆ 使用該設備時，請緩慢移動。請注意，剛切割的草十分濕滑。
- ◆ 請勿在陡坡行操作。請沿著坡面橫向（而非上下）操作。
- ◆ 不得在設備仍在運轉時穿越碎石小路或道路。
- ◆ 不得在設備仍在運轉時觸碰割草線。
- ◆ 先等待割草線完全停止運轉，再放下設備。
- ◆ 僅使用適當類型的割草線或BLACK+DECKER樹脂刀片。不得使用金屬割草線或魚線。
- ◆ 注意，請勿觸碰修整刀片。
- ◆ 注意，請將主電源線遠離割草線。務必留意電線的位置。
- ◆ 請始終讓手腳遠離割草線，尤其是在啟動電機時。
- ◆ 在使用設備前以及受到任何衝擊後，請檢查是否存在磨損或損壞的情況，並在必要時進行維修。
- ◆ 不得在擋板損壞，或沒有擋板的情況下操作該設備。
- ◆ 注意，請預防任何修建線線長度的裝置對操作人員造成傷害。在延長新的割草線後，務必先將機器回歸正常運轉位置，再打開開關。
- ◆ 務必確保通風槽內沒有塵土。
- ◆ 如果電線損壞或磨損，請勿使用草坪割草機。
- ◆ 請將延長線遠離切割部件。

## 電池和充電器之附加安全指示

### 電池

- ◆ 無論何種原因，均不得嘗試打開電池。
- ◆ 請勿將電池暴露在水中。
- ◆ 將電池存放在溫度可能超過40°C的地方。
- ◆ 僅在環境溫度介於10°C和40°C之間的情況下充電。
- ◆ 僅用隨工具一同提供的充電器充電。
- ◆ 在處理電池時，請遵循“保護環境”中的指示。

### 充電器

- ◆ 用您的BLACK+DECKER充電器為隨工具一同提供的電池充電。其它電池可能會引起爆裂，並導致人身傷害和損壞。
- ◆ 不得試圖為不可充電的電池充電。
- ◆ 應立即更換受損電線。

- ◆ 請勿讓充電器接觸到水。
- ◆ 請勿拆開充電器。
- ◆ 請勿戳刺充電器。

注意：

1. 在電池的電量使用完後，建議馬上充電，鋰電池請勿過度放電，電力過度耗竭會導致鋰電池損壞。
2. 每次使用完畢後，請將電池從機身卸下分開存放。若長時間未使用電池(1年以上)，請每6個月為電池充電一次，以確保電池壽命。
3. 當主機突然停止動作，或無法輕鬆完成以往的作業量時，請馬上充電。



本充電器僅供室內使用。



請在使用前請閱讀使用手冊。

## 電氣安全



您的工具是雙層絕緣，因此無需接電線。請務必檢查電源電壓是否與名牌上的電壓一致。

不得嘗試用常規電源插頭替換充電器配件。

- ◆ 如果電線損壞，必須由BLACK+DECKER授權維修中心負責更換，避免出現危險。

## 設備上的標籤

設備上會有以下警告符號以及日期碼：



在操作前，請先閱讀該手冊。



在操作該設備時，請佩戴安全眼鏡或護目鏡。



在操作該設備時，請佩戴合適的耳罩。



請先取出電池，再進行任何清潔或維護。



請留心飛濺的物體。請圍觀人員遠離切割區域。



不得將電動工具暴露在雨中或潮濕環境中。



請勿使用金屬刀片。

## 工具上的標籤

本工具上具有以下圖示與日期代碼：

製造年份及號碼(範例)

2022 23 BM

西元年份 週數 號碼

## 功能部件

該設備包括部分或全部以下功能。

1. 觸發開關
2. 鎖止按鈕
3. 手柄
4. 調速開關
5. 輔助手柄
6. 高度調節環
7. 翻邊調節環
8. 割草機頭
9. 邊緣滾輪
10. 護蓋
11. 線軸外殼
12. 樹脂刀片外殼
13. 樹脂刀片存放盒
14. 電池

## 為電池充電(圖A)

在首次使用前，以及在電池不能提供順利完成工作所需的電力時，需要為電池充電。

電池在充電時可能會發熱；這是正常現象，並非出現問題。

**警告！**請勿在溫度低於10°C或高於40°C的環境中為電池充電。建議充電溫度為：約24°C。

**注意：**如果電池溫度低於10°C或高於40°C，則充電器不會為電池充電。

**應將電池留在充電器中，當電池溫度回升或冷卻後，充電器將自動為電池充電。**

- ◆ 先將充電器插入適當的插座中，再插入電池組。
- ◆ 將電池組插入充電器。



綠色LED閃爍，表示電池正在充電。



綠色LED常亮，表示充電完成。電量已充滿，可以取出使用，也可以將其留在充電器內。

**警告！**請盡快為電量耗盡的電池充電，否則電池壽命會大幅縮短。

## 充電器診斷

該充電器適用於探測電池組或電源可能出現的某些問題。一個LED會以不同的閃爍方式來表明問題所在。

## 電池損壞



該充電器可檢測出電量不足或已損壞的電池。紅色LED會按照標籤上標出的方式閃爍。若看到損壞電池的閃爍模式，請勿繼續為其充電。請將損壞電池送至BLACK+DECKER授權維修中心或廢電池回收點以供回收。

## 熱/冷電池組延遲



當充電器檢測到電池組過熱或過冷時，它會自動啟動熱/冷電池延遲模式，暫停充電，直到電池組達到適當的溫度。

出現此種情況後，充電器會自動切換至“電池組充電”模式。該特色功能可以最大程度地延長電池組的使用壽命。若檢測到熱/冷電池延遲模式，紅色LED會按照標籤上標出的模式閃爍。

## 將電池留在充電器中

可以讓充電器和電池組始終保持聯通，同時LED會常亮。充電器將讓電池組維持電量剛被充滿的狀態。

## 重要充電通知

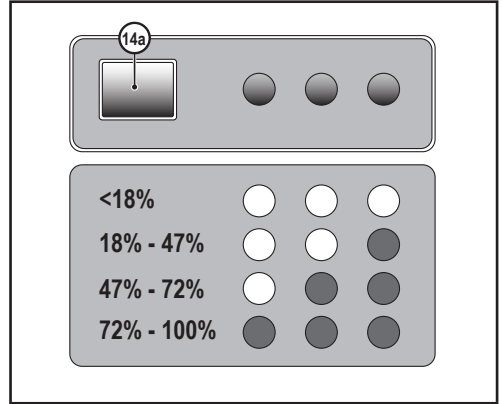
- ◆ 若能在65°F到75°F (18°-24°C)的室溫環境中為電池組充電，則可能最大限度地延長電池壽命，獲得最佳性能。請勿在室溫低於+40°F (+4.5°C)，或高於+105°F (+40.5°C)的環境下，為電池組充電。這一點很重要，而且能夠預防電池組受到嚴重損壞。
- ◆ 在充電時，充電器和電池組可能會發熱。這是正常情況，並非出現問題。為讓電池組在使用後迅速冷卻，請勿將充電器或電池組置於溫暖的環境中，例如金屬棚或未經隔熱處理的拖車中。
- ◆ 若電池組無法正常充電：
  - ◆ 請將檯燈或其他電器插入該插座，檢查電流是否正常。
  - ◆ 檢查插座所連接的照明開關是否與電源開關重合，當您關閉燈時，也會一同切斷電源。
  - ◆ 將充電器和電池組移動到周圍溫度在65°F到75°F (18°-24°C)的環境中。
  - ◆ 若充電問題依然存在，請將設備、電池組和充電器送至您所在當地的BLACK+DECKER授權維修中心。
- ◆ 若電池組以前能夠輕鬆提供充足電量，而現在卻無法提供順利完成工作所需的電量，則應為其充電。在這些情況下，請勿繼續使用。請按照充電流程進行操作。您還可以隨時為已用部分電量的電池組充電。這不會對電池組造成任何損壞。
- ◆ 導電的異物，包括但不限於鋼絲絨、鋁箔紙或任何由金屬粒子組成的物件，必須要遠離充電器的範圍。充電器裡沒有電池組時，一定要拔掉充電器的電源。清洗前，務必拔掉充電器。
- ◆ 請勿讓電池組冷凍，或將其浸沒到水或其他液體中。

**警告！**觸電危險請切勿讓任何液體進入充電器。無論何種原因，均不得嘗試打開電池。

若電池組的塑料外殼破損或裂開，請將其送至BLACK+DECKER授權維修中心進行回收。

## 電池電量狀態指示燈(圖A1)

電池包含一個電量狀態指示燈，便於您快速確定電池壽命，如圖A1所示。按壓充電狀態按鈕(14a)，您可以輕鬆查看剩餘電量，如圖A1所示。



## 插入或取出設備上的電池組

**警告！**先確保鎖止按鈕未接合以防止開關啟動，然後再拆除或安裝電池。

## 安裝電池組

將電池(14)插入設備，直至聽到咔噠聲響(圖B)。請確保電池組完全安裝到位並完全鎖緊。

## 拆除電池組

按下電池釋放按鈕(14b)，如圖C所示，並將電池組從工具中拉出。

## 組裝

**警告！**組裝前，請確保您已關閉工具且已經取下電池組。

**組裝工具需要(不提供)：**

十字螺絲刀

## 安裝護板

**警告！**請先從設備上取下電池，再嘗試安裝護板、邊緣導軌或手柄。不得在未能牢固安裝護板的情況下操作該設備。護板必須被安裝在設備上以保護用戶。

- ◆ 從護板上取下螺釘。
- ◆ 請將割草機翻轉過來，以便俯視線軸蓋(11)。
- ◆ 請將護板(10)翻轉過來並將其完全滑動到電機外殼(16)上。請確保護板行的標籤(17)與電機外殼的(18)肋條接合，如圖所示。
- ◆ 繼續滑動護板，直至您聽到“咔噠”聲響為止。鎖片(19)應卡入外殼槽(20)中。
- ◆ 用十字螺絲刀插入護板螺釘並將其擰緊，如圖E所示，完成護板組裝。
- ◆ 裝好護板後，去除位於護板邊緣的割草線切割刀片覆膜。

**警告！**需確保護板已裝好，否則不得使用該工具。

## 安裝輔助手柄

- ◆ 如需安裝手柄，請按壓上部外殼兩側的按鈕 (21)，如圖F所示。
- ◆ 按圖G所示放置手柄 (保持BLACK+DECKER徽標朝上)。稍稍推動手柄，使其在您鬆開按壓按鈕的手指時，仍可抵住按鈕。
- ◆ 將手柄完全推動到外殼上，然後稍稍調整其位置，直至聽見“咔嚓”聲為止。
- ◆ 如需向上或向下調節手柄，請按壓按鈕 (22)，同時上抬或下壓手柄 (圖H)。
- ◆ 調節手柄，使得您的前臂在割草機工作時剛好處於伸直狀態。

## 高度調節

**警告!** 調節割草機的高度以獲得如圖所示的適當作業位置。

- ◆ 您可沿圖所示的箭頭方向轉動高度調節環 (6)，以調節割草機的整體高度。
- ◆ 沿直線方向，上下移動上部外殼。達到理想高度時，沿圖I所示的箭頭方向，反向轉動調節環，將其擰緊，鎖定高度。

## 操作

**警告!** 務必全程配戴適當的護眼裝備。

**警告!** 開始修整前，僅使用適當類型的割草線或刀片。

**注意:** 請檢查有待修整的區域，清除其中存在的可能纏繞在割草線、線軸或刀頭上的任何線、繩索或繩狀物體。請多加小心，注意避開任何出現在切割路徑上的向外凸出的線，例如鐵絲網底部的倒鉤。

## 開啟和關閉

- ◆ 如需啟動設備，請推動鎖止按鈕 (2)，然後按壓觸發開關 (1)。
- ◆ 如需關閉設備，請鬆開觸發開關。

## 操作割草機

- ◆ 啟動設備後，調整角度並左右來回緩慢擺動割草機，如圖J所示。
- ◆ 如圖K所示，保持5°到10°的切割傾角，但請勿超過10° (圖K)。用割草線或刀片的頭部進行切割。使用邊緣滾輪 (9)，使設備與硬質表面保持距離。
- ◆ 如圖L所示，確保您的腳與護板至少保持60釐米的距離。為達到該距離，請按圖I所示，調節割草機的高度。

## 轉換為修邊模式

**警告!** 僅可在修邊模式下使用帶滾輪的邊緣導向器。在修邊模式，或邊緣模式下，使用修邊機沿草坪邊緣或花壇修剪雜草。對於修邊，割草機頭應位於圖M所示的位置。若不在該位置：

- ◆ 從修邊機上取下電池。
- ◆ 如圖M的第1部分所示，向下推動翻邊調節環 (7)。
- ◆ 如第2部分所示，將翻邊調節環逆時針轉動180°，直至手柄重新卡入割草機的上半部分。
- ◆ 如需返回修整位置，向下拉動翻邊調節環，並順時針轉動機頭至原始位置。

**注意:** 若割草線被直接置於於人行道或具有研磨性的表面，就會加快其磨損速度。

## 修邊

**警告!** 被用作修邊機時，切割線或刀具可能會在作業過程中高速拋出石頭、金屬片和其他物體。割草機和護板的設計可降低危

險。不過，**請確保**其他人員和寵物與作業區域至少保持30米的距離。您可在深度超過50公釐的邊緣獲得最佳切割效果。

- ◆ 請勿使用這款割草機開挖溝槽。
- ◆ 使用修邊滾輪 (9)，如圖N所示引導割草機。
- ◆ 將修邊滾輪置於於人行道或研磨性表面的邊緣，令割草線位於有待修整的雜草或髒污區域上方。
- ◆ 如需靠近剪切，請稍稍傾斜割草機。

## 調速和延時運行模式

這款割草機可讓您以更加高效的速度操作，延長運行時間以完成大型工作，或加快運轉速度，實現高效切割 (圖O)。

- ◆ 如需延長運行時間，請將調速開關 (4) 朝電池 (12) 方向拉回至位置1。該模式最適合需要長時間才能完成的大型項目。
- ◆ 如需讓割草機加速運行，請將調速開關朝機頭 (8) 方向推動至位置2。該模式適合切割茂密雜草，也適合需要高轉速的應用場景。

**注意:** 在加速模式 (#2) 下，相較於延長運行時間模式 (#1)，運行時間會縮短。

## 有用的切割建議

- ◆ 請使用割草線或刀片的頭部進行切割；請勿將割草線的頭部強行切入未切割的雜草。請沿著諸如柵欄、房屋和花壇使用邊緣導軌，實現最佳效果。
- ◆ 鐵絲網和柵欄會導致割草線出現額外磨損，甚至斷裂。石頭和磚牆、路緣石和木頭可能會迅速磨損割草線或刀片。
- ◆ 請勿讓線軸蓋在地面或其他表面上拖拉。
- ◆ 對於長勢良好的雜草，請自上而下進行修剪，而且高度不要超過300公釐。
- ◆ 請將割草機朝修剪區域稍稍傾斜；這是最佳修剪區域。
- ◆ 割草機從左到右通過後即完成修剪。這可避免飛濺的碎屑打倒操作人員。
- ◆ 請避開樹木和灌木。樹皮、木樁板、護欄板和柵欄柱容易被割草繩損壞。

## 割草線的安裝

您的割草機使用直徑為1.65公釐的圓形尼龍線。使用時，尼龍線的尖端會磨損。此時，獨特的自動送線線軸就會自動送線並重新剪裁。若沿人行道或其他磨損性表面切割或修邊，或切割較為茂密的雜草，會使得割草線加速磨損，故需要更多送線。先進的自動送線機制能夠感知送線時機，並在必要時送線並剪裁出合適的長度。請勿通過將設備撞擊地面的方式進行送線或達成其他目的。

## 清除堵塞和纏繞的線 (圖P, Q, R)

**警告!** 先從割草機上取下電池，再進行組裝、調節或更換配件等操作。這類防護性措施可降低設備意外啟動的風險。經常，尤其是切割粗壯或帶莖的雜草時，送線輪殼可能會被樹液或其他材料所堵塞，從而導致卡線。如需排除堵塞，請按以下步驟操作。

- ◆ 從修邊機上取下電池。
- ◆ 如圖P所示，按壓線軸蓋 (24) 上的釋放標籤 (23) 並直接拉開蓋子。
- ◆ 將尼龍線拉出，清理斷線或清除線軸區域的碎屑。
- ◆ 如圖O1所示，將線軸和線放入線軸蓋中，使得線“位於”凹槽內。

- ◆ 將線的末端從線軸外殼上的小孔中穿過。如圖O2所示，從固定槽中拉出鬆弛的線。
- ◆ 輕輕向下按壓線軸並轉動線軸，直至感覺其下落到位，然後用力將其壓緊。(固定到位後，線軸就會朝左、右稍稍轉動)。
- ◆ 注意，要避免割草線在線軸下方被卡住。
- ◆ 將線軸蓋標籤與線軸外殼上的凹槽對其。
- ◆ 如圖R所示，按壓凸耳並將其按入線軸外殼，以將線軸蓋裝回。

**注意：**請確保蓋子安裝到位，並聽見兩次咔噠聲，以確保雙側凸耳均處於正確位置。啟動設備。您很快就會聽見尼龍線被自動切割至適當長度。

**警告！**為避免設備損壞，若割草線的長度超出刀片之外，請將其剪斷，使其剛好觸及刀片。

**注意：**您可聯繫BLACK+DECKER授權維修中心進行維修更換部件(護板、線軸蓋等)。如需查找您當地的BLACK+DECKER授權維修中心，請聯繫您購買此產品的經銷商。

**警告！**將任何非BLACK+DECKER推薦的配件與該設備搭配使用可能會造成危害。

## 更換線軸

- ◆ 從設備上取下電池。
- ◆ 按壓標籤(23)並從線軸外殼(11)上取下線軸蓋(24)(圖S)。
- ◆ 一手拿住空線軸，一手拿住線軸外殼並將線軸取出。
- ◆ 若位於外殼底部的槓桿(25)(圖S)脫位，請先調整其位置，再將新線軸塞入外殼。
- ◆ 清除線軸和外殼中的任何塵土和雜草。
- ◆ 鬆開割草線的末端並將割草線穿入小孔(O2)圖S。
- ◆ 取下新線軸並將其推至外殼的凸緣(26)(圖S)上。輕輕轉動線軸，直至安裝到位。割草線將從外殼中凸出約136公釐。
- ◆ 將線軸蓋上的標籤與外殼中的凹槽對齊。
- ◆ 將蓋子推至外殼，直至其固定到位。

## 從散線復捲線軸

您也可以從當地零售處購買散線。

**注意：**相較於BLACK+DECKER工廠捲繞的線軸，手工捲繞的散線線軸更容易出現相互纏繞的情況。

推薦使用工廠捲繞的線軸以獲得最佳效果。請按照以下步驟安裝散線：

- ◆ 從設備上取下電池組。
- ◆ 根據“更換線軸”部分的說明，從設備上取下空線軸。
- ◆ 從線軸中取出剩餘的割草線。
- ◆ 在割草線末端越19公釐處進行折疊。如圖T所示，將線送入其中一個線錨定槽中。
- ◆ 將19公釐的散線末端塞入線軸上靠近凹槽的小孔(29)中，如圖U所示。確保將線拉緊，貼住線軸，如圖U所示。
- ◆ 沿著線軸上箭頭所指方向，將割草線捲繞在線軸上。請務必整齊、分層地捲繞割草線。請勿來回交叉捲繞(圖V)。
- ◆ 當捲繞的線達到凹槽(30)時，將線剪斷(圖U)。
- ◆ 根據“更換線軸”部分的說明，將線軸安裝到設備上。

## 將割草線配件替換為樹脂刀片配件 (圖W1-W3)

- ◆ 將內六角扳手(31)放入其存放區域(5a)內。該存放區域位於輔助手柄(5)上的樹脂刀片存放處(13)上方，如圖W1所示。
- ◆ 取下線軸蓋(24)並從線軸外殼上取下線軸(11)。
- ◆ 使用內六角扳手(31)，沿逆時針方向擰下螺釘(33)，並取下電機單元。如圖W2所示。
- ◆ 將樹脂刀片單元(12)置於電機單元中的傳動軸上，然後用內六角扳手(31)擰緊螺釘(33)。

## 將樹脂刀片安裝到樹脂刀片單元 (圖X1、X2、X3)

- ◆ 將樹脂刀片(12a)上的大直徑孔滑入樹脂刀片單元(12)上的銀柱上，如圖X1所示。
- ◆ 向下按壓，使其與切口對齊。
- ◆ 向外拉動，直至聽見/感受到咔噠聲為止，如圖X2所示。
- ◆ 當刀片長度不足50公釐，請更換刀片(如圖X3所示)。
- ◆ 每次更換刀片時，務必同時更換雙側刀片。
- ◆ 務必確保雙側刀片均安裝完成後，之後才可開始使用。
- ◆ 若使用僅裝有一側刀片的割草機會降低切割性能，還可能會損壞割草機。

## 將樹脂刀片配件替換為割草線配件 (圖W1-W3)

- ◆ 將內六角扳手(31)放入其存放區域(5a)內。該存放區域位於輔助手柄(5)上的樹脂刀片存放處(13)上方，如圖W1所示。
- ◆ 將工具插入數值刀片單元(12)中的小孔內並找到螺釘的頭部。將螺釘(33)擰緊。
- ◆ 當螺釘(33)鬆開後，將其從機頭外殼，連同機頭一同取下並放在一旁。
- ◆ 從線軸外殼上取下蓋子。
- ◆ 找到軸承上的線軸傳動裝置。將外殼推動到位。
- ◆ 將螺釘置於線軸外殼的中柱中。
- ◆ 擰緊螺釘。
- ◆ 更換線軸外殼的蓋子。

## 可選替換配件

替換刀片：**BZORB20**

刀片到割草線轉換工具包：**BZOB2S1**

割草線到刀片轉換工具包：**BZOS2B1**

## 維護

您的BLACK+DECKER有線/無線設備/工具採用卓越設計，只需簡單保養，即可長期使用。

如需持續取得滿意的操作效果，需要進行正確的工具/設備維護與定期的清潔。

除了定期清潔，您的充電器無需任何維護。

**警告！**在對有線/無線電動工具進行任何維護前：

- ◆ 關閉並拔下設備/工具之插頭。
- ◆ 若設備/工具有獨立的電池組，關閉並取下設備/工具之電池組。
- ◆ 若為一體化電池組，先徹底用盡電池電量，再關閉設備/工具。



- ◆ 先拔下充電器，再清潔充電器。除了定期清潔，您的充電器無需任何維護。
- ◆ 用軟刷或幹布定期清潔您設備/工具和充電器的通風槽。
- ◆ 請定期使用濕布清潔電機外殼。請勿使用任何研磨性或溶劑型清潔劑。
- ◆ 用軟刷或幹布定期清潔割草線、線軸和/或刀片。
- ◆ 定期使用粗砂紙自下而上打磨護板，清除草屑和塵土。

## 問題解決

問題	解決方案
設備運轉緩慢	從設備上取下電池檢查線軸外殼或樹脂刀片頭是否轉動順暢。如有必要，請小心清潔。 檢查割草線，確保其從線軸中伸出的長度超過122公釐。若超出該長度，請剪斷，使其剛好觸及刀片。

自動送線機制並未送線。	當割草線的長度不足76公釐時，就會送入更多的線。如需確定是否無法送線，請將線觸達這一點。 長按標籤並機頭上的從線軸外殼上取下線軸蓋。 確保割草線並未如(圖T)所示，在線軸上相互交叉。若線鬆開，請將其重新整齊卷繞。 檢查線軸底部的痕跡，看是否損壞。若是損壞，更換線軸。 拉伸割草線，直至其從線軸中伸出約122公釐。若線軸中的線量不足，請安裝帶有割草線的新線軸。 將線軸蓋上的標籤與外殼中的凹槽對齊。將蓋子推至外殼，直至其固定到位。 若割草線的長度超出刀片之外，請將其剪斷，使其剛好觸及刀片。若自動送線機制失靈，或線軸堵塞，請按照建議進行嘗試： 小心地清潔線軸和外殼。 確保您使用了規格、直徑(2.00公釐)正確的線——尺寸過小或過大都會影響自動送線系統的功能。 取下線軸，檢查線軸外殼中的橫樑能否順暢轉動。 取下線軸，鬆開卷線，然後重新整齊卷繞。將線軸更換為外殼。
送線過多	確保您是在距離線軸177公釐處將線剪斷。若需要，請使用邊緣導軌，確保維持適當空間。 確保您能夠如圖M所示，將傾角維持在不超過10°的範圍。避免讓割草線接觸硬質表面，例如磚、混凝土、木材等。這可預防割草線受到過度磨損和/或出現過度送線的情況。用割草線或刀具的頭部進行切割。

自動送線機制並未送線。	當割草線的長度不足76公釐時，就會送入更多的線。如需確定是否無法送線，請將線觸達這一點。 長按標籤並機頭上的從線軸外殼上取下線軸蓋。 確保割草線並未如(圖T)所示，在線軸上相互交叉。若線鬆開，請將其重新整齊卷繞。 檢查線軸底部的痕跡，看是否損壞。若是損壞，更換線軸。 拉伸割草線，直至其從線軸中伸出約122公釐。若線軸中的線量不足，請安裝帶有割草線的新線軸。 將線軸蓋上的標籤與外殼中的凹槽對齊。將蓋子推至外殼，直至其固定到位。 若割草線的長度超出刀片之外，請將其剪斷，使其剛好觸及刀片。若自動送線機制失靈，或線軸堵塞，請按照建議進行嘗試： 小心地清潔線軸和外殼。 確保您使用了規格、直徑(2.00公釐)正確的線——尺寸過小或過大都會影響自動送線系統的功能。 取下線軸，檢查線軸外殼中的橫樑能否順暢轉動。 取下線軸，鬆開卷線，然後重新整齊卷繞。將線軸更換為外殼。
當您取下蓋子或線軸時，線會散開	確保先將線置於固定槽(圖R)中，再將其取下。

## 保護環境



分類回收。帶有此標誌的產品和電池必須與一般家庭廢物分開處置。

若您發現您的Black+Decker的產品需要進行替換或您已經不再需要使用這些產品，請不要將他們與家庭廢物一起處置，務必將本產品送往分類收集處。

BLACK+DECKER提供設施收集和回收那些工作壽命將盡的BLACK+DECKER產品。請好好利用這項服務，並請將您的產品退回任何授權的維修代理商，他們將會代理我們代收。

您可以連在此說明書中所指示的BLACK+DECKER公司查看您所在當地授權的維修代理商。或者授權BLACK+DECKER維修代理商列表和我們的售後服務和聯繫人的全部細節可以在網上獲取：

[www.2hlp.com](http://www.2hlp.com)

產品和電池包含可重複使用或回收的材料可降低對原材料的需求。請根據當地法規回收電氣產品和電池。

## 維修服務資訊

BLACK+DECKER會在亞洲地區提供完整的公司隸屬和授權的維修點網絡。所有BLACK+DECKER授權維修中心均配有訓練有素的人員，能夠為顧客提供高效、可靠的產品服務。

無論您需要技術建議、維修、或原廠更換配件，請聯繫距離您最近的BLACK+DECKER授權維修中心。

## 注意

- BLACK+DECKER的政策是不斷改進產品，因此，我們保留改變產品規格的權利，恕不事先通知。
- 不同國家，標準設備和配件也會有所不同。
- 不同國家，產品規格也會有所不同。
- 並非所有國家都能購買到完整的產品系列。請諮詢您當地的BLACK+DECKER經銷商，了解市場在售的產品系列。

經銷商：特力股份有限公司

地址：台北市內湖區新湖三路23號1.2.5樓

電話：0800-008-007

進口/委製廠商：新加坡商百得電動工具(股)公司台灣分公司

地址：台北市士林區德行西路33號2樓

電話：02-2834-1741



# BCBT1820

## Mesin Pemangkas Tanaman

### Data teknis

Tegangan masuk	$V_{DC}$	18V DC (20V Max)
Kecepatan tanpa muatan	$\text{min}^{-1}$	6000/7400
Berat	kg	2.2Kg

Baterai		BL2018	BDL2018S
Tegangan	$V_{DC}$	18V (20V max)	18V DC (20V Max)
Kapasitas	Ah	2.0	2.0
Jenis		Li-Ion	Li-Ion

Pengisi daya		SSC-250040EU
Tegangan masuk	$V_{AC}$	100 - 240
Tegangan keluar	$V_{DC}$	8 - 20
Arus	mA	Input: 400

### Tujuan penggunaan

Mesin pemangkas tanaman BCBT1820 BLACK+DECKER Anda sudah didesain untuk memangkas rumput, merapihkan pinggir halaman rumput dan memotong rumput di halaman kecil. Pemakaian mesin ini hanya ditujukan untuk konsumen.

### Petunjuk keselamatan

**Peringatan!** Ketika sedang menggunakan perangkat (berkabel) yang menggunakan sumber listrik atau perangkat listrik tanpa kabel, selalu patuhi petunjuk keselamatan berikut, untuk mengurangi risiko terjadinya kebakaran, sengatan listrik, cedera diri dan kerusakan materi.

**Peringatan!** Selalu patuhi peraturan keselamatan saat sedang memakai mesin. Untuk keselamatan diri Anda dan orang-orang di sekitar, mohon baca petunjuk ini sebelum menjalankan mesin. Simpanlah petunjuk ini sebagai acuan penggunaan yang aman di kemudian hari.

- ◆ Baca seluruh panduan ini dengan cermat sebelum menjalankan mesin.
- ◆ Tujuan penggunaan dijelaskan dalam panduan ini. Penggunaan aksesoris atau peralatan tambahan atau pengoperasian peralatan selain yang disarankan dalam panduan ini dapat menimbulkan risiko cedera.
- ◆ Simpan panduan ini untuk referensi di masa mendatang.

### Peringatan umum untuk keselamatan perangkat listrik



**PERINGATAN!** Baca semua peringatan keamanan, instruksi, ilustrasi, dan spesifikasi yang disertakan bersama perkakas listrik ini. Kegagalan mengikuti instruksi dan peringatan yang tercantum di bawah ini dapat menyebabkan terjadinya sengatan listrik, kebakaran, dan/atau cedera yang serius.

**Simpan semua peringatan dan petunjuk untuk acuan di masa mendatang.** Kata "perangkat listrik" yang terkandung dalam buku panduan ini merupakan perangkat listrik (berkabel) yang dinyalakan dengan sumber listrik atau perangkat listrik (tanpa kabel) yang dinyalakan menggunakan baterai.

#### 1. Keselamatan area kerja

- a. **Jaga agar area kerja tetap bersih dan terang.** Area yang tidak teratur atau gelap berpotensi mengakibatkan kecelakaan.
- b. **Jangan mengoperasikan perkakas listrik ini di lingkungan yang mudah menimbulkan bahaya ledakan, seperti di tempat yang terdapat cairan, gas, atau debu yang mudah terbakar.** Perkakas listrik menimbulkan percikan api yang dapat menghasilkan debu atau uap.
- c. **Jauhkan anak-anak dan orang-orang di sekitar Anda saat mengoperasikan perkakas listrik.** Adanya gangguan dapat membuat Anda kehilangan kendali perangkat.

#### 2. Keselamatan Kerja Listrik

- a. **Steker kabel mesin harus sesuai dengan stop kontak listrik.**  
**Jangan pernah sekalipun memodifikasi steker kabel. Steker adaptor tidak boleh digunakan bersama mesin berarde.** Jika steker tidak dimodifikasi dan terpasang pada stop kontak yang sesuai akan mengurangi risiko sengatan listrik.
- b. **Hindari kontak badan dengan permukaan benda yang dibumikan (diardekan), seperti pipa, radiator, kompor, dan kulkas.** Risiko sengatan listrik dapat meningkat jika tubuh Anda bersentuhan dengan permukaan benda yang dibumikan (diardekan).
- c. **Jangan sampai perkakas listrik ini terkena hujan atau terpapar di kondisi yang basah.** Air yang mengenai ke perkakas listrik akan meningkatkan risiko sengatan listrik.
- d. **Jangan menyalahgunakan kabel. Jangan sekali-kali menggunakan kabel untuk membawa, menarik, atau mencabut perkakas listrik. Jauhkan kabel dari panas, minyak, tepi tajam, atau komponen yang bergerak.** Kabel yang rusak atau terbelit meningkatkan risiko sengatan listrik.

- e. Bila mengoperasikan perkakas listrik di luar ruangan, gunakan kabel ekstensi yang sesuai untuk penggunaan di luar ruangan. Menggunakan kabel yang sesuai untuk penggunaan di luar ruangan akan mengurangi risiko sengatan listrik.
- f. Jika penggunaan perkakas listrik di lokasi yang lembap tidak dapat dihindari, gunakan suplai yang dilindungi oleh perangkat arus sisa (RCD). Penggunaan RCD akan mengurangi risiko sengatan listrik.
- ### 3. Keselamatan Pribadi
- a. Tetap waspada, perhatikan apa yang Anda kerjakan dan gunakan akal sehat saat mengoperasikan perkakas listrik. Jangan mengoperasikan perkakas listrik bila Anda sedang lelah, atau berada di bawah pengaruh narkoba, alkohol, atau obat-obatan. Lalai saat mengoperasikan perkakas listrik dapat mengakibatkan cedera yang serius.
- b. Gunakan perlengkapan pelindung diri. Selalu kenakan alat pelindung mata. Perlengkapan pelindung, seperti masker debu, sepatu keselamatan antiselip, helm proyek, atau pelindung telinga yang digunakan untuk kondisi yang sesuai akan mengurangi risiko cedera diri.
- c. Hindarkan menyalakan alat tanpa disengaja. Pastikan bahwa sakelar sudah dalam posisi mati sebelum menghubungkannya ke sumber listrik dan/atau baterai, serta sebelum mengambil atau membawa alat. Membawa perkakas listrik dengan jari Anda masih menempel pada tombol atau menghidupkan perkakas listrik yang tombolnya masih menyala berpotensi mengundang bahaya.
- d. Lepaskan semua kunci setelan atau kunci pas sebelum menghidupkan perkakas listrik. Kunci pas atau kunci yang dibiarkan terpasang pada komponen perkakas listrik yang berputar dapat mengakibatkan cedera diri.
- e. Jangan melampaui batas pijakan. Selalu jaga pijakan dan keseimbangan dengan baik. Hal ini memungkinkan Anda untuk mengendalikan perkakas listrik secara lebih baik dalam situasi yang tidak terduga.
- f. Kenakan pakaian yang sesuai. Jangan mengenakan pakaian longgar atau perhiasan. Jauhkan rambut, pakaian dan sarung tangan dari komponen yang bergerak. Pakaian yang longgar, perhiasan atau rambut panjang dapat tersangkut pada komponen yang bergerak.
- g. Jika disediakan perangkat untuk sambungan fasilitas pengeluaran dan Pembuangan debu, pastikan perangkat ini dihubungkan dan digunakan dengan sesuai. Penggunaan alat penghisap debu dapat mengurangi bahaya yang ditimbulkan oleh debu.
- h. Meskipun sudah sering menggunakan alat, jangan sampai lengah dan mengabaikan prinsip keselamatan alat. Tindakan ceroboh dapat menyebabkan cedera parah dalam hitungan sepersekian detik.
- ### 4. Penggunaan dan pemeliharaan perkakas listrik
- a. Jangan menggunakan perkakas listrik dengan sembarang. Gunakan perkakas listrik yang sesuai dengan pekerjaan Anda. Perkakas listrik yang tepat akan bekerja dengan lebih baik dan aman sesuai kapasitasnya.
- b. Jangan gunakan perkakas listrik jika saklarnya tidak dinyalakan atau dimatikan. Saklar perkakas listrik apa pun yang tidak bisa dikendalikan akan berbahaya dan harus diperbaiki.
- c. Lepaskan stopkontak dari sumber listrik dan/atau baterai dari perkakas listrik sebelum melakukan penyetelan apa pun, mengganti aksesoris, atau menyimpan perkakas listrik. Langkah pencegahan dari tindakan keselamatan tersebut akan mengurangi risiko menyalakan perkakas listrik secara tidak disengaja.
- d. Simpan perkakas listrik jauh dari jangkauan anak-anak, dan jangan biarkan orang yang tidak memahami perkakas listrik atau petunjuk ini untuk mengoperasikannya. Perkakas listrik dapat berbahaya bila digunakan oleh pengguna yang tidak terlatih.
- e. Merawat perkakas listrik dan aksesoris. Lakukan pemeriksaan untuk mengetahui jika ada komponen bergerak yang tidak sejajar atau bengkok, komponen yang patah, dan kondisi lainnya yang dapat memengaruhi pengoperasian perkakas listrik. Jika rusak, perbaiki perkakas listrik sebelum digunakan. Banyak kecelakaan terjadi akibat perkakas listrik yang tidak terawat dengan baik.
- f. Jaga ketajaman dan kebersihan alat pemotong. Alat pemotong yang terawat dengan baik dengan mata potong yang tajam, dapat memperkecil potensi mesin macet dan lebih mudah untuk dikendalikan.
- g. Gunakan perkakas listrik, aksesoris, kepala pemotong dan lainnya, sesuai petunjuk ini, dengan memperhitungkan kondisi kerja dan jenis pekerjaan yang harus dilakukan. Penggunaan perkakas listrik tidak sesuai dengan tujuan penggunaan dapat menciptakan kondisi situasi yang berbahaya.
- h. Jaga agar permukaan pegangan tetap kering, bersih, serta bebas dari minyak. Pegangan dan permukaan genggam alat yang licin tidak aman untuk pemakaian pada situasi darurat.

## 5. Penggunaan dan pemeliharaan baterai

- a. **Isi daya baterai hanya dengan pengisi daya yang ditentukan oleh produsen.** Pengisi daya yang cocok untuk satu tipe baterai dapat menimbulkan risiko kebakaran bila digunakan untuk baterai lain.
- b. **Pakai perkakas listrik hanya dengan baterai yang sudah ditetapkan secara spesifik.** Pemakaian baterai lain bisa menimbulkan risiko terjadinya cedera dan kebakaran.
- c. **Ketika baterai sedang tidak dipakai, jauhkan baterai dari benda logam seperti klip kertas, koin, kunci, paku, sekrup atau logam-logam kecil lainnya, yang dapat menghubungkan satu terminal ke terminal lainnya.** Terjadinya korslet terminal baterai secara bersamaan bisa menyebabkan luka bakar atau kebakaran.
- d. **Dalam kondisi yang tidak wajar, cairan bisa keluar dari baterai; hindari kontak dengan cairan. Bila terjadi kontak bilas dengan air. Bila cairan mengenai mata, hubungi segera bantuan medis.** Cairan yang keluar dari baterai bisa menimbulkan iritasi atau luka bakar.
- e. **Jangan memakai baterai maupun perangkat yang rusak atau sudah dimodifikasi.** Baterai yang rusak atau sudah dimodifikasi berisiko menimbulkan kebakaran, ledakan atau cedera.
- f. **Jangan membuat baterai atau perangkat terpapar api atau suhu yang terlalu panas.** Paparan pada api atau suhu di atas 130 °C bisa menyebabkan alat meledak.
- g. **Patuhi seluruh petunjuk pengisian daya dan jangan mengisi ulang daya baterai atau perangkat di luar batas suhu yang telah disebutkan dalam petunjuk.** Pengisian daya yang tidak benar atau di luar batas suhu yang telah ditetapkan bisa merusak baterai dan meningkatkan risiko terjadinya kebakaran.

## 6. Servis

- a. **Perkakas listrik sebaiknya diservis oleh teknisi yang berkualifikasi dan hanya menggunakan komponen pengganti yang persis sama.** Hal ini akan membuat keamanan perkakas listrik selalu terjaga.
- b. **Jangan pernah memperbaiki sendiri baterai yang rusak.** Servis baterai hanya boleh dilakukan oleh pabrik produsen atau oleh pemberi layanan resmi.

## Peringatan keselamatan mesin pemangkas tanaman dan pinggir halaman rumput



**Peringatan!** Peringatan keselamatan tambahan untuk mesin pemangkas tanaman dan pinggir halaman rumput.

- ◆ **Jangan memakai mesin saat cuaca sedang buruk, khususnya bila terdapat risiko munculnya petir.** Hal ini untuk mengurangi risiko tersambar petir.
- ◆ **Periksa dengan seksama area yang akan menjadi tempat penggunaan mesin bila ada hewan liar.** Hewan liar bisa cedera karena mesin yang sedang dijalankan.
- ◆ **Periksa dengan seksama area yang akan menjadi tempat penggunaan mesin dan singkirkan seluruh bebatuan, dahan, kabel, tulang-belulang dan benda asing lainnya.** benda yang terlempar bisa menyebabkan cedera pada diri.
- ◆ **Sebelum menggunakan mesin, selalu lihat dan periksa untuk memastikan alat pemotong dan rakitan komponen pemotongnya tidak rusak.** Komponen perangkat yang rusak bisa meningkatkan risiko terjadinya cedera.
- ◆ **Periksa alat pengumpul rumput secara rutin apakah sudah aus atau mengalami kerusakan.** Kerusakan atau keausan pada alat pengumpul rumput bisa meningkatkan risiko cedera pada diri.
- ◆ **Alat pengaman harus berada pada tempatnya. Alat pengaman harus berfungsi dengan baik dan dipasang dengan benar.** Alat pengaman yang terpasang dengan longgar, rusak, atau tidak berfungsi dengan baik bisa menyebabkan cedera.
- ◆ **Seluruh saluran masuk udara pendingin harus bersih dari serpihan kotor.** Saluran masuk udara yang tersumbat bisa membuat perangkat menjadi terlalu panas atau berisiko kebakaran.
- ◆ **Kenakan alat pelindung mata dan telinga.** Pemakaian alat pelindung yang adekuat akan mengurangi kemungkinan cedera pada diri.
- ◆ **Saat menjalankan mesin, selalu kenakan alas kaki pelindung dan anti-licin.** Jangan mengoperasikan mesin saat sedang bertelanjang kaki atau ketika memakai sandal terbuka. Hal ini mengurangi kemungkinan terjadinya cedera pada kaki akibat terkena alat pemotong yang bergerak.
- ◆ **Selalu kenakan pakaian seperti celana panjang yang menutupi tungkai operator ketika sedang mengoperasikan mesin.** Cedera bisa terjadi bila alat pemotong atau senar mesin yang bergerak mengenai tubuh.
- ◆ **Jauhkan orang-orang di sekitar ketika mesin sedang dioperasikan.** Serpihan benda yang terlempar bisa menyebabkan cedera serius pada diri.
- ◆ **Jangan menjalankan mesin di atas tinggi pinggang.** Hal ini membantu mencegah terjadinya kontak dengan alat pemotong yang tidak diinginkan, agar bisa mengontrol mesin dengan lebih baik pada situasi yang tidak terduga.
- ◆ **Bekerjalah dengan hati-hati saat menjalankan mesin di rerumputan yang basah.** Jalan, jangan pernah ber-

lari. Hal ini akan mengurangi risiko tergelincir dan jatuh yang bisa menyebabkan cedera pada diri.

- ◆ **Jangan menjalankan mesin pada tanah yang terlalu curam.** Hal ini bisa mengurangi risiko kehilangan kontrol alat, tergelincir dan jatuh yang bisa menyebabkan cedera pada diri.
- ◆ **Saat bekerja di daratan melandai, selalu perhatikan tempat Anda berpijak, bekerja di sisi lain muka lereng, jangan pernah di atas atau di bawahnya dan selalu berhati-hati saat mengganti arah pergerakan alat.** Tindakan ini bisa mengurangi risiko kehilangan kontrol alat, tergelincir dan jatuh yang bisa menyebabkan cedera pada diri.
- ◆ **Jauhkan seluruh steker dan kabel listrik dari area pemotongan.** Steker atau kabel listrik bisa tersembunyi di balik tanaman pagar atau semak-semak dan dapat tanpa sengaja terpotong atau rusak akibat senar atau alat pemotong.
- ◆ **Jauhkan anggota tubuh dari senar atau alat pemotong mesin pemangkas yang bergerak. Jangan bebaskan material dari mesin sampai kabel alat telah lepas dari sumber listrik.** Senar atau alat pemotong yang bergerak bisa menyebabkan cedera serius pada diri.
- ◆ **Bawa mesin dalam kondisi mati dan jauh dari tubuh.** Pemakaian mesin pemangkas tanaman yang baik akan mengurangi kemungkinan kontak tidak disengaja dengan senar atau alat pemotong yang bergerak.
- ◆ **Hanya gunakan bagian kepala pemotong pengganti dan senar atau alat pemotong yang telah ditetapkan oleh pabrik produsen. Senar atau alat pemotong dari mesin pemangkas tidak boleh diganti dengan pisau atau kawat besi.** Pemasangan komponen mesin yang tidak benar bisa menyebabkan kehilangan kendali alat, kehancuran alat dan cedera.

## Menggunakan peralatan

Selalu berhati-hati selama memakai alat.

- ◆ Selalu pakai kacamata atau goggle pelindung.
- ◆ Jangan pernah membiarkan anak-anak atau orang yang tidak memahami petunjuk alat dengan baik untuk menggunakan alat.
- ◆ Jangan biarkan anak-anak atau hewan datang mendekati area kerja atau bersentuhan langsung dengan alat maupun kabel listrik mesin.
- ◆ Dibutuhkan pengawasan yang ketat ketika mesin digunakan di dekat anak-anak.
- ◆ Pemakaian alat ini tidak diperuntukkan bagi anak kecil atau orang yang lemah bila tidak ada pengawasan.
- ◆ Mesin ini tidak diperuntukkan penggunaannya sebagai mainan.

- ◆ Hanya pakai alat di siang hari atau di tempat dengan penerangan yang baik.
- ◆ Alat hanya boleh dipakai di tempat yang kering. Jangan sampai alat menjadi basah.
- ◆ Hindari memakai mesin saat cuaca sedang buruk, khususnya bila terdapat risiko munculnya petir.
- ◆ Jangan masukkan peralatan ke dalam air.
- ◆ Jangan membuka badan kasing dari mesin. Ada suku cadang di dalamnya yang tidak bisa diperbaiki sendiri oleh pengguna.
- ◆ Jangan mengoperasikan mesin di lingkungan yang mudah menimbulkan bahaya ledakan, seperti di tempat yang terdapat cairan, gas, atau debu yang mudah terbakar.
- ◆ Untuk mengurangi risiko terjadinya kerusakan pada kabel atau steker, jangan menarik kabel untuk melepas steker dari stop kontak listrik.
- ◆ Gunakan mesin hanya bersama unit arus daya yang disediakan bersama mesin.

## Keselamatan orang lain

- ◆ Peralatan ini tidak ditujukan untuk pengguna (termasuk anak-anak) yang menderita penurunan kemampuan fisik, sensorik, atau mental, atau tidak memiliki pengalaman dan pengetahuan yang cukup, kecuali jika mereka diawasi atau diarahkan menggunakan peralatan ini oleh pihak-pihak yang bertanggung jawab atas keselamatan mereka.
- ◆ Anak-anak harus diawasi agar mereka tidak bermain-main dengan perangkat ini.

## Risiko residu.

Risiko residu lain dapat timbul bila menggunakan alat yang tidak diberikan bersama peringatan keselamatan yang disertakan.

Risiko tersebut dapat timbul karena kesalahan penggunaan, penggunaan dalam waktu lama, dsb.

Meskipun peraturan keselamatan yang relevan diterapkan dan perangkat keselamatan digunakan, risiko residu tertentu tidak dapat dihindari. Risiko tersebut mencakup:

- ◆ Cedera yang terjadi karena menyentuh bagian yang bergerak/berputar.
- ◆ Cedera yang terjadi saat mengganti suku cadang, pisau atau aksesoris.
- ◆ Cedera yang terjadi karena pemakaian sebuah alat dalam waktu lama. Saat menggunakan peralatan apa pun dalam waktu lama pastikan anda meluangkan waktu untuk beristirahat.
- ◆ Kerusakan indra pendengaran.
- ◆ Bahaya kesehatan yang disebabkan akibat menghirup debu terjadi saat menggunakan alat anda (contohnya: bekerja dengan kayu, khususnya kayu pohon ek, kayu pohon beech dan MDF.)

## Pasca penggunaan

- ◆ Saat tidak digunakan, alat harus disimpan di tempat yang kering, dengan ventilasi yang baik dan jauh dari jangkauan anak-anak.
- ◆ Anak-anak tidak boleh memiliki akses terhadap perangkat yang disimpan.
- ◆ Ketika alat sedang disimpan atau dipindahkan dalam kendaraan, alat harus ditempatkan dalam bagasi atau diikat untuk mencegah timbulnya pergerakan ketika kecepatan atau arah kendaraan berubah secara tiba-tiba.

## Pemeriksaan dan perbaikan

- ◆ Sebelum digunakan, periksalah jika ada bagian mesin yang rusak atau cacat. Periksalah jika ada bagian yang pecah dan kondisi lainnya yang dapat memengaruhi jalannya mesin.
- ◆ Minta agen perbaikan resmi untuk memperbaiki atau mengganti bagian yang rusak atau cacat.
- ◆ Periksa secara rutin kepala pengisi daya untuk memastikan tidak ada kerusakan. Ganti pengisi daya jika kepala rusak atau cacat.
- ◆ Jangan coba untuk melepas atau mengganti bagian mana pun selain yang disebutkan dalam panduan ini.

## Petunjuk tambahan tentang keselamatan mesin pemangkas tanaman

**Peringatan!** Elemen pemotong terus berputar setelah motor mesin dimatikan.

- ◆ Biasakan diri dengan kontrol dan cara pemakaian alat yang benar.
- ◆ Selalu keluarkan baterai dari mesin kapanpun saat alat sedang tidak dipakai, sebelum menyingkirkan benda yang menyumbat, sebelum pembersihan dan perawatan alat, setelah alat membentur benda asing atau kapanpun ketika alat mulai bergetar secara abnormal.
- ◆ Jangan memakai alat bila kabelnya aus atau rusak.
- ◆ Kenakan sepatu atau bot yang kokoh untuk melindungi kaki Anda.
- ◆ Pakailah celana panjang untuk melindungi tungkai Anda.
- ◆ Sebelum menggunakan peralatan, periksa bila jalur halaman yang akan dipangkas sudah bersih dari dahan, bebatuan, kabel dan benda lain yang menghalangi.
- ◆ Hanya gunakan alat dalam posisi tegak, dengan senar pemotong berada di dekat tanah. Jangan pernah menyalakan alat ketika berada dalam posisi lain.
- ◆ Saat sedang memakai mesin, bergeraklah dengan perlahan. Ketahuilah bahwa rumput yang baru dipotong umumnya lembap dan licin.
- ◆ Jangan bekerja pada tanah yang curam. Bekerjalah di sisi lain muka lereng, tidak di atas dan di bawahnya.
- ◆ Jangan pernah melewati jalan raya atau yang berkerikil

ketika alat sedang berjalan.

- ◆ Jangan pernah menyentuh senar pemotong ketika alat sedang berjalan.
- ◆ Jangan meletakkan alat sampai senar pemotong sudah berhenti bergerak sepenuhnya.
- ◆ Hanya gunakan senar pemotong atau pisau resin BLACK+DECKER yang tepat. Jangan pernah memakai senar pemotong logam atau pemancing.
- ◆ Hati-hati agar tidak menyentuh pisau senar pemangkas.
- ◆ Berhati-hatilah agar kabel listrik tetap berada jauh dari senar pemotong. Sadari selalu letak posisi dari kabel.
- ◆ Selalu jauhkan tangan dan kaki dari senar pemotong, terutama ketika sedang menyalakan motor mesin.
- ◆ Sebelum memakai alat dan setelah benturan apapun, periksa apakah ada tanda keausan atau kerusakan pada alat dan perbaiki alat bila perlu.
- ◆ Jangan pernah menjalankan mesin ketika alat pengaman-nya rusak atau tanpa terpasangnya alat pengaman pada mesin.
- ◆ Hati-hati terhadap cedera yang bisa terjadi karena perangkat apapun yang dipasang untuk memangkas senar berserabut. Setelah membentangkan senar pemotong baru, selalu posisikan kembali mesin sesuai posisi pengoperasian normal sebelum dinyalakan.
- ◆ Selalu pastikan agar lubang saluran udara bersih dari serpihan kotoran.
- ◆ Jangan memakai mesin pemangkas tanaman (pinggir halaman rumput), bila kabel alat sudah aus atau rusak.
- ◆ Jauhkan kabel ekstensi dari elemen pemotong.

## Petunjuk tambahan tentang keselamatan baterai dan pengisi daya

### Baterai

- ◆ Jangan pernah sekalipun mencoba untuk dibuka karena alasan apapun.
- ◆ Jangan membuat baterai terpapar air.
- ◆ Jangan menyimpan baterai di tempat dengan suhu yang bisa naik di atas 40 °C.
- ◆ Hanya isi ulang daya perangkat di suhu ruangan dengan rentang 10 °C dan 40 °C.
- ◆ Hanya isi ulang daya perangkat dengan pengisi daya yang disediakan bersama perangkat.
- ◆ Ketika membuang baterai, patuhi petunjuk yang tertera dalam bagian "Melindungi lingkungan".

### Pengisi daya

- ◆ Hanya pakai pengisi daya BLACK+DECKER Anda untuk mengisi ulang daya baterai yang diberikan bersama perangkat. Baterai lain bisa meledak dan menyebabkan kerusakan serta cedera pada diri.

- ◆ Jangan pernah mencoba untuk mengisi daya baterai yang tidak bisa diisi ulang.
- ◆ Segera ganti kabel yang sudah rusak.
- ◆ Jauhkan pengisi daya dari air.
- ◆ Jangan membuka pengisi daya.
- ◆ Jangan membuka dan memeriksa pengisi daya.



Pengisi daya hanya untuk pemakaian di dalam ruangan.



Baca petunjuk penggunaan sebelum pemakaian.

## Keselamatan kerja listrik



Pengisi daya Anda memiliki insulasi ganda; oleh karena itu kabel arde tidak diperlukan. Selalu pastikan bahwa tegangan utama sudah sesuai dengan tegangan pada pelat nilai arus.

Jangan coba untuk melepas atau mengganti unit pengisi daya dengan steker listrik biasa.

- ◆ Bila terjadi kerusakan pada kabel listrik, kabel harus diganti oleh pabrik produsen atau Pusat Layanan BLACK+DECKER agar tidak terjadi bahaya.

## Label pada peralatan

Simbol berikut ini terdapat pada peralatan bersama kode tanggal:



Bacalah buku petunjuk sebelum pengerjaan.



Kenakan kacamata atau goggle pelindung selama menjalankan mesin ini.



Kenakan alat pelindung telinga yang sesuai selama menjalankan mesin ini.



Selalu keluarkan baterai dari mesin sebelum melakukan pembersihan atau perawatan alat.



Hati-hati terhadap benda yang berterbangan. Jauhkan orang-orang di sekitar dari area pemotongan.



Jangan sampai alat terkena hujan atau terpapar kelembapan tinggi.



Jangan memakai pisau logam.

## Berbagai fitur

Alat ini dilengkapi dengan berbagai fitur sebagai berikut:

1. Sakelar picu
2. Tombol pengunci
3. Gagang
4. Sakelar pengatur kecepatan
5. Gagang tambahan
6. Collar pengatur ketinggian
7. Collar pemangkas rumput
8. Kepala pemangkas
9. Roda kecil
10. Alat pengaman
11. Spool housing
12. Selongsong pisau resin
13. Tempat simpanan pisau resin
14. Baterai

## Mengisi daya baterai (Gam. A)

Daya baterai perlu diisi sampai penuh sebelum pertama kali memulai pekerjaan dan kapanpun saat dirasa daya baterai sudah melemah.

Baterai dapat terasa menghangat selama pengisian daya; hal ini normal dan tidak menjadi suatu masalah.

**Peringatan!** Jangan mengisi ulang daya baterai pada suhu ruangan di bawah 10°C atau di atas 40°C. Rekomendasi suhu untuk pengisian daya: sekitar 24°C.

**Catatan:** Pengisi daya baterai tidak akan bekerja bila suhu sel baterai berada di bawah 10°C atau di atas 40°C.

**Baterai harus ditinggalkan pada pengisi daya, dan alat akan mengisi daya secara otomatis saat suhu sel baterai menghangat atau mendingin.**

- ◆ Pasang kabel pengisi daya pada arus daya listrik yang sesuai sebelum memasukkan baterai.
- ◆ Masukkan baterai ke dalam pengisi daya.



Lampu LED hijau akan berkedip sebagai tanda bahwa daya baterai sedang diisi ulang.



Pengisian daya yang telah selesai ditandai dengan lampu LED hijau yang terus menyala. Daya baterai telah terisi penuh dan bisa langsung digunakan atau dibiarkan dalam pengisi daya.

**Peringatan!** Isi ulang daya baterai yang kosong secepatnya setelah pemakaian atau masa hidup baterai akan jauh berkurang.

## Diagnostik pengisi daya

Pengisi daya ini didesain untuk menemukan apakah terdapat suatu masalah pada baterai atau arus daya listrik. Adanya masalah ditandai dari satu lampu LED yang berkedip dengan pola yang berbeda.

## Baterai Tidak Baik



Pengisi daya bisa menemukan baterai yang lemah atau rusak. Lampu LED merah berkedip sesuai pola yang tertera pada label. Bila Anda melihat pola kerlipan lampu yang menandakan kondisi baterai tidak baik, jangan lanjutkan pengisian daya baterai. Kembalikan baterai ke pusat layanan atau tempat Pembuangan barang untuk didaur ulang.

## Penundaan Baterai Panas/Dingin



Ketika pengisi daya menemukan suhu baterai dalam kondisi terlalu panas atau terlalu dingin, alat akan memulai mode Penundaan Baterai yang Panas/Dingin secara otomatis, di mana pengisian daya akan ditunda sampai suhu baterai kembali normal.

Setelah hal ini terjadi, pengisi daya kemudian otomatis masuk ke dalam mode pengisian daya. Fitur ini memastikan baterai memiliki masa pemakaian yang maksimal. Lampu LED merah berkedip sesuai pola yang tertera pada label ketika kondisi ini terdeteksi.

## Meninggalkan baterai dalam pengisi daya

Pengisi daya dan baterai bisa ditinggal terhubung dengan LED yang terus menyala. Pengisi daya akan menjaga baterai tetap baru dengan daya yang terisi penuh.

## Catatan penting mengenai pengisian daya

- ◆ Masa pemakaian terpanjang dan kinerja baterai terbaik bisa didapat bila baterai diisi ulang pada suhu udara dalam rentang 65°F dan 75°F (18° - 24°C). JANGAN mengisi daya baterai pada suhu udara di bawah +40°F (+4,5°C), atau di atas +105°F (+40,5°C). Hal ini penting dan bisa mencegah kerusakan serius pada baterai.
- ◆ Saat pengisian daya berlangsung, pengisi daya dan baterai bisa menjadi hangat saat disentuh. Kondisi ini normal dan tidak menandakan adanya suatu masalah. Agar suhu baterai bisa lebih mudah mendingin setelah digunakan, jangan meletakkan pengisi daya atau baterai di tempat yang hangat seperti gudang berlogam atau kendaraan trailer yang tidak berinsulasi.
- ◆ Bila baterai tidak bisa diisi ulang dengan baik:
  - ◆ Periksa arus pada stop kontak dengan mencolokkan kabel lampu atau perangkat lainnya.
  - ◆ Periksa bila stop kontak sudah terhubung dengan sakelar lampu yang bisa mematikan daya saat Anda mematikan lampu.

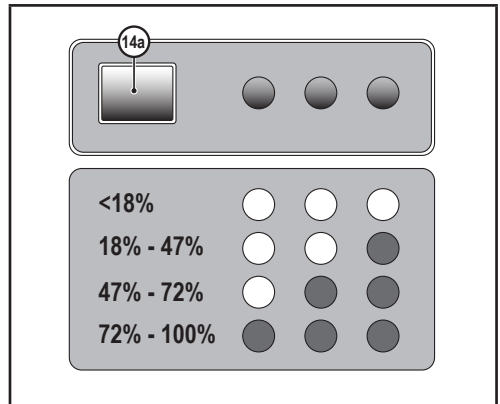
- ◆ Pindahkan pengisi daya dan baterai ke tempat dengan suhu udara sekitar dalam kisaran 65°F - 75°F (18° - 24°C).
- ◆ Bila masalah pengisian daya tidak kunjung hilang, bawa mesin, baterai dan pengisi daya ke pusat layanan di daerah Anda.
- ◆ Daya baterai perlu diisi ulang ketika dirasa daya baterai sudah melemah. JANGAN memakai baterai pada kondisi ini. Ikuti prosedur pengisian daya baterai. Anda juga bisa mengisi ulang daya baterai bekas kapanpun sesuai keinginan Anda tanpa memberikan efek samping pada baterai.
- ◆ Benda asing yang konduktif seperti, namun tidak terbatas pada wol baja, aluminium foil atau segala penumpukan partikel logam yang harus dijauhkan dari ruang pengisi daya. Selalu cabut kabel pengisi daya sebelum mulai membersihkan alat.
- ◆ Jangan membekukan atau memasukkan peralatan ke dalam air ataupun cairan lain.

**Peringatan!** Bahaya sengatan. Jangan biarkan cairan apapun memasuki bagian dalam pengisi daya. Jangan coba buka baterai dengan alasan apapun.

Bila kerangka plastik baterai rusak atau patah, kembalikan alat pada pusat layanan untuk didaur ulang.

## Indikator kondisi pengisian daya baterai (Gam. A1)

Terdapat indikator kondisi pengisian daya pada baterai yang bisa membantu memastikan tingkat masa pemakaian baterai seperti yang terlihat pada Gam A1. Dengan menekan tombol kondisi pengisian daya (14a) Anda bisa melihat waktu pengisian daya baterai yang tersisa seperti yang diGamkan pada Gam A1.



## Memasang dan mengeluarkan baterai dari mesin

**Peringatan!** Pastikan tombol pengunci tidak dalam posisi aktif untuk mencegah pengaktifan sakelar sebelum mengeluarkan atau memasang baterai.



## Untuk memasang unit baterai

Masukkan unit baterai (14) ke dalam alat sampai terdengar bunyi klik yang jelas (Gam B).

Pastikan unit baterai sudah benar-benar terduduk dan terpasang dalam posisinya.

## Untuk melepas unit baterai

Tekan tombol pelepasan baterai (14b) seperti pada Gam C dan tarik unit baterai keluar dari vacuum.

## Rakitan

**Peringatan!** Sebelum menyusun alat, pastikan alat sudah dimatikan dan baterai mesin sudah dikeluarkan.

**Diperlukan alat perakitan (tidak disediakan):**

Obeng Phillips.

## Memasang alat pengaman dengan pas

**Peringatan!** Keluarkan baterai dari mesin sebelum mencoba untuk memasang alat pengaman, penahan pembatas tepian atau gagang. Jangan pernah menjalankan perangkat tanpa alat pengaman yang terpasang pada posisinya. Pengaman tersebut harus selalu berada pada mesin untuk melindungi pengguna.

- ◆ Lepaskan sekrup dari alat pengaman.
- ◆ Balikkan mesin pemangkas tanaman dalam posisi terbalik agar Anda melihat ke bawah pada penutup spool (11).
- ◆ Putar alat pengaman (10) dalam posisi terbalik dan geser sampai bisa masuk sepenuhnya ke dalam komponen motor housing (16). Pastikan tab (17) pada alat pengaman sudah berkontak dengan bagian bingkai komponen housing (18) seperti pada Gam.
- ◆ Terus geser alat pengaman sampai Anda mendengar suara seperti “berderak” aktif pada tempatnya. Tab pengunci (19) harus aktif masuk ke lubang housing (20).
- ◆ Dengan memakai obeng phillips, pasang sekrup alat pengaman dan kencangkan seperti yang terlihat pada Gam E untuk bisa selesai merakit alat pengaman.
- ◆ Ketika alat pengaman sudah terpasang, lepaskan penutup dari pisau titik potong senar, yang berada di pinggir alat pengaman.

**Peringatan!** Jangan pernah menggunakan mesin kecuali alat pengamannya sudah terpasang dengan benar.

## Memasang gagang tambahan

- ◆ Untuk memasang gagang, tekan tombol (21) pada kedua sisi di atas komponen housing seperti yang terlihat pada Gam F.
- ◆ Posisikan gagang seperti yang terlihat pada Gam G (dengan logo BLACK+DECKER menghadap ke atas). Dorong sebagian gagang agar bisa menahan tombol ketika Anda melepaskannya dengan tangan.
- ◆ Dorong seluruh gagang pada komponen housing dan posisikan sedikit sampai terdengar bunyi dan gagang terpasang pada tempatnya.

- ◆ Untuk menaikkan atau menurunkan gagang mesin, tekan tombol (22) dan gagang bisa dinaikkan atau diturunkan (Gam H).
- ◆ Gagang harus disesuaikan agar lengan depan Anda dalam kondisi lurus saat mesin pemangkas rumput dalam posisi kerja.

## Pengaturan ketinggian

**Peringatan!** Sesuaikan panjang mesin pemangkas rumput agar bisa bekerja dengan posisi yang baik seperti yang terlihat pada Gam.

- ◆ Tinggi keseluruhan dari mesin pemangkas rumput bisa diatur dengan melonggarkan collar pengatur ketinggian (6) dan memutar collar sesuai arah anak panah seperti yang terlihat pada Gam I.
- ◆ Gerakkan komponen housing bagian atas naik atau turun. Bila sudah mendapat tinggi mesin yang diinginkan, kencangkan collar dengan memutarkannya ke arah yang berlawanan, seperti yang terlihat di Gam I.

## Pekerjaan

**Peringatan!** Selalu kenakan alat pelindung mata dengan baik.

**Peringatan!** Sebelum mulai memangkas rumput, hanya gunakan senar pemotong atau pisau yang tepat.

**Catatan:** Periksa area rumput yang akan dipotong dan singkirkan segala kawat, kabel atau benda seperti tali yang bisa terjatoh dalam senar berputar, spool atau kepala pisau. Mohon berhati-hati terutama untuk menghindari kawat apapun yang bisa bengkok keluar dari jalur mesin normal, seperti duri pada dasar pagar berantai.

## Menyalakan dan mematikan alat

- ◆ Untuk menyalakan mesin, tekan tombol pengunci (2) dan pencet sakelar pemicu (1).
- ◆ Untuk mematikan mesin, lepaskan sakelar pemicu.

## Menjalankan mesin pemangkas rumput

- ◆ Dengan unit yang menyala, miringkan unit dan ayunkan mesin secara perlahan ke samping seperti yang terlihat pada Gam J.
- ◆ Jaga sudut pemotongan sebesar 5° - 10° seperti yang terlihat pada Gam K. Sudut tidak boleh lebih dari 10° (Gam K). Potong dengan ujung senar atau pisau. Untuk menjaga jarak dari permukaan benda yang keras, gunakan roda kecil mesin (9).
- ◆ Jaga jarak sejauh minimal 60 cm antara pelayan dan kaki Anda yang terlihat pada Gam L. Untuk mencapai gelarnya, sesuaikan nilai tinggi keseluruhan dari mesin pemangkas rumput seperti yang terlihat pada Gam I.

## Berganti ke dalam mode pemangkas pinggir tanaman

**Peringatan!** Penahan pembatas tepian yang beroda hanya boleh digunakan dalam mode ini. Mesin pemangkas bisa digunakan bersama mode pemangkasan pinggir rumput

dan hamparan bunga. Untuk mode ini, bagian kepala mesin pemangkas rumput harus berada pada posisi dari Gam M. Bila tidak ingat:

- ◆ Lepaskan baterai dari mesin pemangkas.
- ◆ Genggang collar pemangkas rumput (Flip to edge collar) (7) dan dorong ke bawah seperti yang terlihat pada Gam M bagian 1.
- ◆ Putar collar tersebut dengan arah yang berlawanan jarum jam sebesar 180 oC seperti yang terlihat pada bagian 2, sampai gagang mesin kembali ke posisinya pada setengah bagian atas mesin pemangkas rumput.
- ◆ Untuk mengembalikan posisi pemangkas rumput, tarik collar flip-to-edge tersebut dan putar dengan bagian kepala searah jarum jam agar kembali ke posisi aslinya.

**Catatan:** Anda akan merasakan bahwa laju keausan senar pemotong yang normalnya lebih cepat, bila senar mesin pemangkas tanaman diposisikan langsung pada trotoar atau permukaan jalan yang kasar.

### Pemangkas Tepi

**Peringatan!** Ketika sedang digunakan sebagai pemangkas pinggir tanaman, batu, kepingan logam dan bagian lain yang bisa dilempar pada kecepatan tinggi oleh senar atau pisau. Mesin pemangkas tanaman dan alat pengaman didesain untuk mengurangi bahaya. Namun, **PASTIKAN** agar orang lain dan hewan peliharaan berada dalam jarak minimal 30 meter. Hasil pemotongan yang optimal didapat pada tepi yang lebih dalam dari 50 mm.

- ◆ Jangan menggunakan mesin pemangkas tanaman ini untuk membuat parit.
- ◆ Selama memakai roda kecil mesin pemangkas (9), tuntun mesin pemangkas tanaman seperti yang terlihat pada Gam N.
- ◆ Posisikan roda kecil mesin pada pinggir trotoar atau permukaan jalan yang kasar agar senar pemotong berada di atas rumput atau area kotor yang mau dipangkas.
- ◆ Untuk memotong dengan lebih dalam, coba miringkan sedikit mesinnya.

### Pengaturan kecepatan & mode ekstensi runtime

Senar pemangkas ini memberikan pilihan bagi Anda untuk menjalankan mesin dengan kecepatan yang lebih efisien untuk memperlama waktu berjalannya mesin untuk pekerjaan yang lebih besar, atau mempercepat kecepatan mesin pemangkas pada pemotongan berkinerja tinggi (Gam O).

- ◆ Untuk memperlama waktu berjalannya mesin, tarik sakelar pengatur kecepatan (4) kembali ke arah baterai (12) pada posisi #1. Mode ini adalah mode terbaik untuk proyek yang lebih besar dan memerlukan lebih banyak waktu untuk diselesaikan.
- ◆ Untuk mempercepat mesin pemangkas tanaman, dorong sakelar pengatur kecepatan ke depan ke arah kepala mesin pemangkas (8) pada posisi #2. Mode ini adalah

mode terbaik untuk memotong tanaman yang tumbuh lebih lebat dan pada pekerjaan yang memerlukan RPM lebih tinggi.

**Catatan:** Saat berada dalam mode akselerasi (#2), waktu berjalannya mesin akan berkurang dibandingkan dengan mesin pemangkas pada mode runtime yang diekstensi (#1).

### Tips membantu dalam pemotongan

- ◆ Gunakan ujung senar atau pisau untuk melakukan pemotongan; jangan memaksa bagian kepala senar pada rumput yang tidak terpotong. Pakai penahan pembatas tepian di sepanjang benda lain seperti pagar, rumah dan hamparan bunga untuk berlatih.
- ◆ Kawat dan pagar kayu bisa menyebabkan senar menjadi aus bahkan rusak. Bebatuan dan dinding bata, tepi jalan dan kayu bisa membuat senar atau pisau aus dengan cepat.
- ◆ Jangan biarkan penutup spool untuk terseret di atas tanah atau permukaan lainnya.
- ◆ Pada tanaman yang tumbuh panjang, potong dari atas ke bawah dan jangan melebihi tinggi 300 mm.
- ◆ Jaga agar mesin pemangkas tanaman miring ke tanaman yang sedang dipotong; ini adalah tempat pemotongan terbaik.
- ◆ Mesin pemangkas memotong saat melewati unit dari kanan ke kiri. Hal ini akan membantu untuk tidak melempar serpihan kotoran ke arah operator.
- ◆ Hindari pepohonan dan semak belukar. Kulit pohon, ornamen kayu, lapisan dinding, dan tiang pagar dapat dengan mudah rusak karena senar.

### Senar pemotong/pengumpulan senar

Mesin pemangkas Anda memakai senar nilon bulat dengan diameter 1,65 mm. Selama pemakaian, ujung dari senar nilon akan berjumbai dan aus, dan spool pengumpulan khusus akan secara otomatis mengumpalkan dan memangkas panjang senar yang baru. Senar pemotong akan lebih cepat aus dan memerlukan lebih banyak pengumpulan bila pemotongan atau pemangkas tepi tanaman dilakukan di sepanjang trotoar, atau permukaan jalan yang kasar lainnya, atau rumput liar lebih padat yang sedang dipotong. Mekanisme pengumpulan senar otomatis yang canggih bisa mendeteksi kapan diperlukan banyak senar pemotong, dan mengumpulkan serta memangkas panjang senar yang tepat kapan saja ketika perlu. Jangan menabrakkan unit ke tanah saat mencoba mengumpalkan senar atau untuk tujuan lainnya.

### Menghilangkan kemacetan dan senar yang terjat (Gam P, Q, R)

**Peringatan!** Lepaskan baterai dari mesin pemangkas sebelum menyusun, menyesuaikan atau mengganti aksesoris apapun. Tindakan pencegahan tersebut bisa mengurangi risiko menyalakan alat secara tidak sengaja. Dari waktu ke waktu, terutama saat memotong rumput liar yang tebal atau

bertangkai, hub pengumpukan senar bisa tersumbat oleh getah atau bahan lain yang bisa membuat senar turut macet. Untuk mengatasi hal ini, ikutilah langkah-langkah di bawah ini.

- ◆ Lepaskan baterai dari mesin pemangkas.
- ◆ Tekan tab pelepas (23) pada penutup spool (24), seperti yang terlihat pada Gam P dan lepaskan tutup dengan langsung menariknya.
- ◆ Tarik spool senar nilon keluar dan bersihkan semua senar yang putus atau sisa serpihan pemotong dari area spool.
- ◆ Tempatkan spool dan senar ke dalam penutup spool dengan senar "ditempatkan" pada lubang yang disediakan seperti yang terlihat pada Gam O1.
- ◆ Masukkan ujung senar melalui lubang yang sesuai pada spool housing. Tarik senar yang longgar hingga keluar dari slot penahan seperti yang terlihat pada Gam O2.
- ◆ Tekan spool ke bawah dengan perlahan dan putar sampai Anda merasa spool tersebut jatuh pada tempatnya gulungan jatuh pada tempatnya, lalu dorong spool hingga masuk ke tempatnya. (Saat berada di tempatnya, spool akan berputar beberapa derajat ke kiri dan ke kanan dengan bebas).
- ◆ Berhati-hatilah agar senar tidak terjatoh di bawah spool.
- ◆ Sejajarkan tab penutup spool dengan lubang pada spool housing.
- ◆ Pasang penutup spool kembali seperti yang terlihat pada Gam R dengan menekan lug ke arah spool housing.

**Catatan:** Pastikan penutupnya sudah diposisikan dengan baik, dengarkan dua bunyi klik untuk memastikan kedua lug ditempatkan dengan benar. Nyalakan alat. Dalam beberapa detik atau kurang Anda akan mendengar tali nilon dipotong secara otomatis hingga panjang yang sesuai.

**Peringatan!** Untuk menghindari terjadinya kerusakan pada alat, bila senar pemotong menjulur keluar melebihi pisau pemangkas, potong senar agar panjang senar hanya mencapai pisau.

**Catatan:** Komponen pengganti lain (alat pengaman, penutup spool, dll.) tersedia pada pusat layanan BLACK+DECKER. Untuk menemukan pusat layanan di area Anda, kunjungi [www.blackanddecker.com](http://www.blackanddecker.com).

**Peringatan!** Pemakaian aksesoris lain yang tidak direkomendasikan untuk dipakai bersama alat ini oleh BLACK+DECKER bisa menimbulkan bahaya.

### Mengganti spool

- ◆ Lepas baterai dari perangkat.
- ◆ Tekan tab (23) dan singkirkan penutup spool (24) dari spool housing (11) (Gam S).
- ◆ Genggam spool yang kosong dengan satu tangan dan komponen spool housing di tangan yang lain, lalu tarik spool keluar.
- ◆ Bila tuas (25) (Gam S) pada bagian dasar housing terlepas, perbaiki agar tuas berada dalam posisi yang benar sebelum memasukkan spool baru ke dalam housing.

- ◆ Singkirkan kotoran dan rumput yang ada dari spool dan housing.
- ◆ Buka bagian ujung senar pemotong dan pandu senar tersebut untuk memasuki lubang tali (O2) pada Gam S.
- ◆ Ambil spool baru dan dorong spool pada tonjolan (26) (Gam S) di tengah komponen housing. Putar sedikit spool sampai terpasang. Senar harus menonjol sekitar 136 mm dari komponen housing.
- ◆ Sejajarkan tab pada penutup spool dengan lubang pada komponen housing.
- ◆ Dorong tutup pada komponen housing sampai terpasang dengan kuat pada tempatnya.

### Memutar spoon dari senar gulung

Gulungan senar tersedia untuk dibeli dari penjual di daerah Anda. Catatan: spool gulungan tangan dari senar gulung lebih mungkin terjerat lebih sering disbanding spool gulung pabrik BLACK+DECKER.

Untuk mendapat hasil terbaik, direkomendasikan untuk memakai spool gulung pabrik. Untuk memasang senar gulung, lakukanlah langkah-langkah di bawah ini:

- ◆ Lepas baterai dari perangkat.
- ◆ Keluarkan spool yang kosong dari mesin seperti yang telah dijelaskan pada bagian "Mengganti spool".
- ◆ Lepaskan setiap senar pemotong dari spool.
- ◆ Lipat bagian ujung senar pemotong sekitar 19 mm (27). Masukkan senar pemotong ke dalam salah satu lubang penahan senar (28) seperti yang terlihat pada Gam T.
- ◆ Masukkan 19 mm ujung senar gulung ke dalam lubang (29) pada spool yang berdekatan dengan lubang seperti yang terlihat pada Gam U. Pastikan senar ditarik dengan kencang pada spool seperti yang diperlihatkan pada Gam U.
- ◆ Tambahkan senar pemotong pada spool sesuai arah panah pada spool. Pastikan agar senar terilit dengan rapi dan berlapis-lapis. Jangan memasangnya secara bersilangan (Gam V1).
- ◆ Ketika gulungan senar pemotong mencapai ceruk (30), potong senarnya (Gam U).
- ◆ Pasang spool pada alat sampai pas seperti yang telah dijelaskan pada bagian "Mengganti spool".

### Mengganti unit senar dengan unit pisau resin (Gam. W1-W3)

- ◆ Tempatkan kunci allen (kunci L) (31) di dalam ruang penyimpanan (5a) yang terletak di atas tempat penyimpanan pisau resin (13) pada gagang tambahan (5), seperti yang ditampilkan pada Gam W1.
- ◆ Lepaskan penutup spool (24) dan keluarkan spool (32) dari komponen spool housing-nya (11).
- ◆ Lepaskan sekrup (33) dengan arah berlawanan jarum

jam, gunakan kunci L (31) dan lepas sekrup dari unit motornya, seperti yang diperlihatkan pada Gam W2.

- ◆ Temukan unit pisau resin (12) pada poros penggerak dari unit motor dan kencangkan dengan sekrup (33) menggunakan kunci L (31).

### Mengepaskan pisau resin dengan unit pisau resin (Gam. X1, X2, X3)

- ◆ Selipkan lubang berdiameter besar pada pisau resin (12a) di atas papan perak (12b) pada unit pisau resin (12) seperti yang terlihat pada Gam X1.
- ◆ Tekan ke bawah agar sejajar dengan potongan.
- ◆ Tarik keluar sampai Anda mendengar/merasa adanya sensasi “klik” seperti yang terlihat pada Gam X2.
- ◆ Ganti pisau ketika ukurannya berkurang (seperti yang terlihat pada Gam X3) sampai di bawah 50 mm.
- ◆ Selalu ganti kedua pisau di saat yang sama.
- ◆ Pastikan selalu bila kedua pisau pemotong sudah terpasang dengan benar sebelum mulai bekerja.
- ◆ Menjalankan mesin pemangkas tanaman hanya dengan satu pisau akan menurunkan kinerja pemotongan dan bisa merusak mesin pemangkas.

### Mengganti unit pisau resin dengan unit senar (Gam. W1-W3)

- ◆ Tempatkan kunci allen (kunci L) (31) di dalam ruang penyimpanan (5a) yang terletak di atas tempat penyimpanan pisau resin (13) pada gagang tambahan (5), seperti yang ditampilkan pada Gam W1.
- ◆ Masukkan alat ke dalam lubang pada unit pisau resin (12) dan temukan kepala sekrupnya. Lepaskan sekrup (33).
- ◆ Ketika sekrup (33) sudah longgar, lepas sekrup dari housing atas bersama komponen kepalanya dan sisihkan.
- ◆ Lepaskan penutup dari senar spool housing.
- ◆ Temukan fitur penggerak spool pada porosnya. Komponen housing harus terpasang masuk pada tempatnya.
- ◆ Pasang sekrup di bagian tengah spool housing.
- ◆ Kencangkan sekrup.
- ◆ Ganti penutup spool housing.

### Komponen Pengganti Opsional

Pisau pengganti: **BZORB20**

Kit penukar pisau ke senar: **BZOB2S1**

Kit penukar senar ke pisau: **BZOS2B1**

### Pemeliharaan

Peralatan/alat BLACK+DECKER berkabel/nirkabel dirancang untuk penggunaan jangka panjang dengan pemeliharaan minimal.

Penggunaan yang selalu memuaskan tergantung pada cara pemeliharaan yang benar dan pembersihan alat secara teratur.

Pengisi daya Anda tidak memerlukan perawatan khusus

selain pembersihan secara rutin.

**Peringatan!** Sebelum melakukan perawatan pada alat listrik berkabel/nirkabel:

- ◆ Matikan daya mesin dan cabut kabel alat.
- ◆ Atau matikan daya mesin dan lepas baterai dari alat bila alam memiliki baterai secara terpisah.
- ◆ Atau menghabiskan total daya baterai bila merupakan hal yang penting dan kemudian matikan alat.
- ◆ Cabut kabel pengisi daya sebelum membersihkan. Pengisi daya Anda tidak memerlukan perawatan khusus selain pembersihan secara rutin.
- ◆ Bersihkan lubang ventilasi peralatan Anda dan pengisi daya dengan rutin memakai sikat lembut atau kain yang kering.
- ◆ Bersihkan komponen motor housing dengan kain yang lembap. Jangan memakai pembersih yang berbahan dasar cairan atau yang abrasif.
- ◆ Bersihkan senar pemotong, spool dan/atau pisau secara rutin dengan memakai sikat lembut atau kain yang kering.
- ◆ Gunakan pisau pengikir yang tumpul untuk menyingkirkan rumput dan kotoran dari bagian bawah alat pengaman.

### Penyelesaian masalah

Solusi	Masalah
Alat berjalan dengan lambat.	Lepaskan baterai dari mesin pemangkas rumput. Periksa bila spool housing atau bagian kepala pisau resin bisa berputar dengan bebas. Bersihkan dengan hati-hati bila perlu. Periksa bila senar pemotong tidak menjulur keluar lebih dari sekitar 122 mm dari spool. Bila menonjol, potong senarnya agar hanya mencapai pisau pemangkas tanaman.

<p><b>Umpun senar otomatis tidak mengumpankan senar.</b></p>	<p>Jika senar sudah memendek hingga sekitar 76mm, maka tarik (panjangan) senar. Untuk menentukan apakah garis tersebut tidak terlalu panjang, biarkan garis melewati titik ini. Jaga agar tab dalam kondisi ditekan dan lepaskan penutup spool dengan bagian spool dari housing pada bagian kepala mesin pemangkas tanaman.</p> <p>Pastikan tidak ada senar yang bersilang pada spool sesperti yang terlihat pada (Gam. T). Bila bersilang, lepaskan senar pemotong yang saling terjerat dengan rapi.</p> <p>Periksa jejak pada bagian bawah spool bila terdapat kerusakan. Bila ternyata rusak, ganti spool.</p> <p>Tarik senar pemotong sampai menjulur keluar sekitar 122 mm dari spool. Bila senar pemotong yang tersisa pada spool tidak cukup, pasang spool senar pemotong yang baru.</p> <p>Sejajarkan tab pada penutup spool dengan potongan pada komponen housing.</p> <p>Dorong penutup spool pada komponen housing sampai terpasang dengan aman pada tempatnya.</p> <p>Bila senar pemotong menjulur keluar melebihi pisau pemangkas, potong senarnya agar senar hanya keluar mencapai pisau. Bila pengumpunan senar otomatis tidak bekerja atau spool macet, coba lakukan langkah berikut:</p> <p>Bersihkan spool dan housing dengan hati-hati. Pastikan Anda menggunakan senar dengan ukuran dan diameter yang benar (2,00 mm) – ukuran senar yang lebih kecil dan besar bisa memengaruhi fungsi dari sistem pengumpunan otomatis.</p> <p>Lepaskan spool dan periksa bila tuas pada housing-nya bisa bergerak dengan bebas.</p> <p>Lepaskan spool dan bebaskan senar pemotong yang terjerat, kemudian pasang kembali senar dengan rapi. Ganti spool pada housing.</p>
<p><b>Pengumpunan berlebih</b></p>	<p>Pastikan Anda memotong dengan ujung senar 177 mm dari spool. Gunakan penahan pembatas tepian bila perlu untuk memastikan agar terjaga jarak yang tepat.</p> <p>Pastikan Anda tidak melewati sudut 10° seperti yang terlihat pada (Gam. M). Hindari kontak senar dengan permukaan benda yang keras seperti batu bata, beton, kayu dll. Hal ini dilakukan untuk mencegah keausan yang berlebih dan/atau pengumpunan senar berlebih. Lakukan pemotongan dengan ujung senar.</p>
<p><b>Senar terurai ketika penutup atau spool dikeluarkan</b></p>	<p>Pastikan agar senar ditempatkan pada lubang penahan (Gam R) sebelum dilepas.</p>

## Melindungi lingkungan



Pembuangan terpisah. Produk dan baterai yang ditandai dengan simbol ini tidak boleh dibuang bersama dengan sampah rumah tangga biasa.

Produk dan baterai berisi bahan yang dapat digunakan kembali atau didaur ulang yang mengurangi permintaan kebutuhan bahan baku. Daur ulang produk listrik dan baterai sesuai dengan ketentuan setempat. Informasi selengkapnya tersedia di [www.2helpU.com](http://www.2helpU.com).

## Informasi Servis

BLACK+DECKER menawarkan jaringan lengkap lokasi servis resmi milik perusahaan di seluruh Asia. Semua Pusat Servis BLACK+DECKER memiliki staf terlatih agar dapat memberikan layanan produk yang efisien dan andal kepada konsumen.

Bila Anda membutuhkan saran teknis, perbaikan, atau suku cadang pengganti asli pabrik, hubungi lokasi BLACK+DECKER terdekat.

## CATATAN

- BLACK+DECKER memiliki kebijakan untuk terus meningkatkan produk dan karenanya, kami berhak mengubah spesifikasi produk tanpa pemberitahuan sebelumnya.
- Perlengkapan dan aksesoris standar mungkin berbeda menurut negara.
- Spesifikasi produk mungkin berbeda menurut negara.
- Rangkaian produk lengkap mungkin tidak tersedia di semua negara. Untuk mengetahui ketersediaan produk, hubungi dealer BLACK+DECKER setempat Anda.

## BCBT1820

เครื่องเล็มหญ้าไร้สาย แบบดัดแปลง  
เส้นเอ็น พร้อมใบมีด เรซิน

## ข้อมูลด้านเทคนิค

แรงดันไฟฟ้าขาเข้า	V <sub>DC</sub>	18V DC (20V Max)
ความเร็วขณะไม่มีโหลด	min <sup>-1</sup>	6000/7400
น้ำหนัก	kg	2.2Kg

แบตเตอรี่		BL2018	BDL2018S
แรงดันไฟฟ้า	V <sub>DC</sub>	18V (20V max)	18V DC (20V Max)
ขนาด	Ah	2.0	2.0
ประเภท		Li-Ion	Li-Ion

ที่ชาร์จ		SSC-250040EU
แรงดันไฟฟ้าขาเข้า	V <sub>AC</sub>	100 - 240
แรงดันไฟฟ้าขาออก	V <sub>DC</sub>	8 - 20
กระแสไฟฟ้า	mA	Input: 400

## วัตถุประสงค์การใช้งาน

เครื่องเล็มหญารุ่น BCBT1820 ของ BLACK+DECKER ของคุณ ได้รับการออกแบบมาสำหรับการตัดและกำจัดตกแต่งขอบสนามหญ้ารวมถึงการตัดหญ้าในพื้นที่จำกัด อุปกรณ์นี้มีไว้สำหรับผู้บริโภคเท่านั้น

## ข้อปฏิบัติเพื่อความปลอดภัย

**คำเตือน!** เมื่อใช้อุปกรณ์ซึ่งได้รับพลังมาจากแหล่งจ่ายไฟหลักหรืออุปกรณ์ไร้สาย คุณจะต้องปฏิบัติตามข้อควรระวังความปลอดภัยพื้นฐานรวมถึงสิ่งต่างๆ ดังต่อไปนี้อยู่เสมอเพื่อลดความเสี่ยงในการเกิดไฟไหม้ ไฟฟ้าดูด การบาดเจ็บส่วนบุคคล และความเสี่ยงภัยต่อวัสดุ

**คำเตือน!** เมื่อใช้เครื่องเล็มหญ้า คุณจะต้องปฏิบัติตามกฎความปลอดภัย เพื่อความปลอดภัยของคุณเองและผู้ที่ยืนดูอยู่ โปรดอ่านคำแนะนำดังต่อไปนี้ก่อนที่จะใช้งานเครื่องเล็มหญ้า โปรดเก็บคำแนะนำไว้อย่างปลอดภัยสำหรับการใช้งานในภายหลัง

- ♦ อ่านคู่มือฉบับนี้ทั้งหมดโดยละเอียดก่อนที่จะใช้งานอุปกรณ์
- ♦ วัตถุประสงค์การใช้งานได้อธิบายไว้ในคู่มือนี้แล้ว การใช้อุปกรณ์เสริมหรืออุปกรณ์ยึดติด หรือการใช้งานใดๆ กับเครื่องมืออื่นนอกเหนือจากที่ได้อธิบายไว้ในคู่มือการใช้งานนี้ อาจเสี่ยงต่อการได้รับบาดเจ็บ
- ♦ เก็บรักษาคู่มือนี้ไว้เพื่อการอ้างอิงในอนาคต

## คำเตือนด้านความปลอดภัยทั่วไป



**คำเตือน:** อ่านคำเตือนข้อปฏิบัติเพื่อความปลอดภัยทั้งหมด รวมทั้งภาพประกอบและข้อมูลที่เข้ามา เครื่องมือไฟฟ้า หากไม่ปฏิบัติตามคำเตือนและข้อปฏิบัติเหล่านี้ อาจทำให้เกิดไฟ ฟ้ายืด เกิด อัคคีภัย และ/หรือบาดเจ็บสาหัสได้

**จัดเก็บเอกสารคำเตือนและคำแนะนำทั้งหมดไว้เพื่อการอ้างอิงในภายหลัง คำว่า "เครื่องมือไฟฟ้า" ในคำเตือน หมายถึง เครื่อง มือไฟฟ้า (แบบมีสาย) ที่ทำงานผ่านแหล่งจ่ายไฟ หลัก หรือเครื่องมือไฟฟ้า (แบบไร้สาย) ที่ทำงานผ่านแบตเตอรี่**

1. ความปลอดภัยในบริเวณที่ทำงาน
  - a. รักษาความสะอาดและจัดให้มีแสงสว่างเพียงพอในบริเวณที่ทำงาน บริเวณที่มีมืดหรือมีช่องว่างระยะกระชากทำให้เกิดอุบัติเหตุได้
  - b. ห้ามใช้เครื่องมือไฟฟ้าในบริเวณที่อาจเกิดการระเบิด เช่น ในสถานที่ที่มีของเหลว แก๊ส หรือฝุ่นละอองที่มีคุณสมบัติไวไฟ เครื่องมือไฟฟ้าจะทำให้เกิดประกายไฟที่อาจทำให้เกิดละอองไฟหรือเปลวไฟขึ้นได้
  - c. กันเด็กเล็กและคนที่เดินผ่านไปมาให้ออกห่างจาก บริเวณที่มีการใช้งานเครื่องมือไฟฟ้า สิ่งรบกวนอาจทำให้คุณเสียสมาธิได้
2. ความปลอดภัยทางไฟฟ้า
  - a. ปลั๊กของเครื่องจะต้องเข้ากับกับเต้ารับ ห้ามดัดแปลงปลั๊กไม่ว่าจะในรูปแบบใดโดยเด็ดขาด  
ห้ามใช้ปลั๊กอะแดปเตอร์กับเครื่องที่ติดตั้งสายดิน (ต่อสายดิน) ปลั๊กและเต้ารับที่เข้ากันซึ่งไม่มีการดัดแปลง จะช่วยลดความเสี่ยงจากไฟฟ้าดูด
  - b. หลีกเลี่ยงการสัมผัสพื้นผิวที่ต่อสายดินหรือลงกราวด์ เช่น ห่อ หม้อน้ำ เตาหุงต้ม และตู้เย็น มีความเสี่ยงเพิ่มขึ้นที่จะเกิดไฟฟ้าช็อตหากร่างกายเป็นสื่อเชื่อมต่อกับดินหรือลงกราวด์
  - c. อย่าให้เครื่องมือไฟฟ้าถูกฝนหรืออยู่ในสภาพที่เปียกชื้น น้ำที่เข้าเครื่องมือไฟฟ้าจะเพิ่มความเสี่ยงในการเกิดไฟฟ้าช็อต
  - d. ห้ามใช้สายไฟผิดวัตถุประสงค์ ห้ามใช้สายไฟเพื่อการหิ้ว ดึง หรือถอดปลั๊กเครื่องมือไฟฟ้า เก็บสายไฟให้พ้นจากความร้อน น้ำมัน ของมีคม หรือ ชิ้นส่วนที่กำลังเคลื่อนที่ สายไฟที่ชำรุดหรือพันกันเป็นการเพิ่มความเสี่ยงจากการถูกไฟฟ้าช็อต
  - e. เมื่อใช้เครื่องมือไฟฟ้ากลางแจ้ง ให้ใช้สายต่อพ่วงที่เหมาะสมสำหรับการใช้งานกลางแจ้ง ใช้สายไฟที่เหมาะสมสำหรับใช้งานกลางแจ้งจะช่วยลดความเสี่ยงต่อการเกิดไฟฟ้าช็อต
  - f. หากไม่สวมใส่การหลีกเลี่ยงการใช้เครื่องมือไฟฟ้า



ในบริเวณที่ชื้นและได้ ให้ใช้อุปกรณ์ป้องกันไฟดูด (RCD) การใช้ RCD จะช่วยลดความเสี่ยงในการถูกไฟฟ้าช็อต

### 3. ความปลอดภัยส่วนบุคคล

- ต้นตัวและมีสมาธิกับสิ่งที่คุณกำลังทำ รวมทั้งใช้สามัญสำนึกในขณะที่กำลังใช้งานเครื่องมือไฟฟ้า ห้ามใช้เครื่องมือไฟฟ้าในขณะที่คุณกำลังเหนื่อยหรือได้รับอิทธิพลจากยา แอลกอฮอล์ หรือการริกรือบางอย่าง การขาดความระมัดระวังในการใช้เครื่องมือไฟฟ้าในช่วงหนึ่งอาจทำให้บาดเจ็บสาหัสได้
- ใช้อุปกรณ์คุ้มครองความปลอดภัยส่วนบุคคลสวมอุปกรณ์ป้องกันดวงตาเสมอ อุปกรณ์ป้องกัน เช่น หน้ากากกันฝุ่น รองเท้านิรภัยกันลื่น หมวกนิรภัย หรืออุปกรณ์ป้องกันเสียงดังที่ใช้ในสภาวะที่เหมาะสมจะช่วยลดอาการบาดเจ็บทางร่างกาย
- ป้องกันเครื่องเปิดทำงานโดยไม่ตั้งใจ สวิตช์ต้องอยู่ในตำแหน่งปิดก่อนที่จะเสียบปลั๊กเข้ากับแหล่งจ่ายไฟ และ/หรือ ชุดแบตเตอรี่ หรือก่อนจะยกหรือหิ้วเครื่องมือ การยกเครื่องมือไฟฟ้าในขณะที่นิ้วอยู่ที่สวิตช์ หรือใช้เครื่องมือไฟฟ้าที่สวิตช์เปิดอยู่ อาจทำให้เกิดอุบัติเหตุได้
- ถอดกุญแจรีเซ็ตหรือปรับแรงออกก่อนเปิดสวิตช์เครื่องมือไฟฟ้า ประแจหรือกุญแจที่เสียบค้างอยู่ในชิ้นส่วนที่หมุนได้ของเครื่องมือไฟฟ้าอาจทำให้ได้รับบาดเจ็บได้
- ห้ามยืนเขย่งเท้าขณะใช้เครื่อง ควรยืนในท่าที่เหมาะสมและสมดุลตลอดเวลา เพื่อช่วยในการควบคุมเครื่องมือไฟฟ้าได้ดียิ่งขึ้นในสถานการณ์ที่ไม่คาดคิด
- แต่งกายให้เหมาะสม ห้ามสวมเสื้อผ้าหลวมหรือใส่เครื่องประดับ รวบผมและเสื้อผ้าให้ห่างจากชิ้นส่วนที่กำลังหมุน เสื้อผ้าที่หลวมหรือยาวรุ่มร่าม เครื่องประดับ หรือผมที่ยาวอาจเข้าไปพันกับชิ้นส่วนที่กำลังหมุน
- หากมีอุปกรณ์สำหรับดูดและเก็บฝุ่น ต้องตรวจให้แน่ใจว่าได้เชื่อมต่อและใช้งานอุปกรณ์นั้นอย่างเหมาะสม การใช้อุปกรณ์เก็บฝุ่นจะช่วยลดอันตรายที่เกี่ยวข้องกับฝุ่นได้
- อย่าให้ความเคยชินจากการใช้งานทำให้คุณประมาทและละเลยการปฏิบัติตามหลักการเพื่อความปลอดภัย การใช้งานโดยไม่ระวังอาจทำให้เกิดการบาดเจ็บสาหัสได้ภายในเวลาเพียงเสี้ยววินาที

### 4. การใช้งานและการดูแลรักษาเครื่องมือไฟฟ้า

- ห้ามฝืนใช้เครื่องมือไฟฟ้า เลือกใช้เครื่องมือไฟฟ้าที่ถูกต้องตรงกับลักษณะการใช้งานของคุณ เครื่องมือไฟฟ้าที่ถูกต้องย่อมทำงานได้ดีกว่าและปลอดภัยกว่า เมื่อใช้งานตามปกติที่เครื่องมือได้รับการออกแบบมา
- ห้ามใช้เครื่องมือไฟฟ้าถ้าสวิตช์เปิดปิดเครื่อง

ไม่ทำงาน เครื่องมือไฟฟ้าที่ไม่สามารถควบคุมผ่านสวิตช์ได้ ถือว่ามีอันตรายและต้องซ่อม

- ถอดปลั๊กของเครื่องมือไฟฟ้าออกจากแหล่งจ่ายไฟ และ/หรือหากถอดแบตเตอรี่ได้ ให้ถอดแบตเตอรี่ออกก่อนทำการปรับแต่ง เปลี่ยนอุปกรณ์เสริม หรือจัดเก็บเครื่องมือไฟฟ้า มาตรการเพื่อความปลอดภัยเชิงการป้องกันนี้จะช่วยลดความเสี่ยงในการเผลอเปิดเครื่องไฟฟ้าให้ทำงานโดยไม่ตั้งใจ
- เก็บเครื่องมือไฟฟ้าที่ไม่ได้ใช้งานไว้ในพ้นมือเด็ก และไมอนุญาตให้บุคคลที่ไม่คุ้นเคยกับเครื่องมือไฟฟ้าหรือคำแนะนำเหล่านี้เป็นผู้ใช้เครื่องมือไฟฟ้าจะเป็นอันตรายหากอยู่ในมือผู้ใช้ที่ไม่มีความชำนาญ
- บำรุงรักษาเครื่องมือไฟฟ้าและอุปกรณ์เสริมต่างๆ ตรวจพบว่าชิ้นส่วนที่เคลื่อนที่ได้มีการวางไม่ตรงแนวหรือติดขัดหรือไม่ มีชิ้นส่วนที่แตกหัก และสภาพอื่นใดที่อาจส่งผลกระทบต่อการทำงานของเครื่องมือไฟฟ้าหรือไม่ หากชำรุดเสียหาย ให้นำเครื่องมือไปส่งซ่อมก่อนนำมาใช้ อุบัติเหตุจำนวนมากเกิดจากการดูแลรักษาเครื่องมือไฟฟ้าไม่ดีพอ
- เครื่องมือตัดต้องคมและสะอาดอยู่เสมอ เครื่องมือตัดที่ได้รับการดูแลรักษาอย่างถูกต้องและมีขอบตัดคม จะมีปัญหาตัดขัดน้อย และควบคุมได้ง่ายกว่า
- ใช้เครื่องมือไฟฟ้า อุปกรณ์เสริม และดอกสว่านของเครื่องมือ เป็นต้น ให้ตรงตามข้อปฏิบัติเหล่านี้ โดยพิจารณาถึงสภาพการทำงานและงานที่ทำเป็นสำคัญ การใช้เครื่องมือไฟฟ้าทำงานอื่นนอกเหนือจากที่กำหนดไว้ อาจทำให้เกิดอันตรายได้
- ต้องดูแลน้ำมันและพื้นผิวที่จับนั้นแห้ง สะอาด ปราศจากน้ำมันและจาระบี มีฉนวนและผิวสัมผัสที่ลื่น อาจทำให้เกิดการใช้งานที่ไม่ปลอดภัยและทำให้ไม่สามารถควบคุมเครื่องมือในสถานการณ์ได้เช่นได้อย่างถูกต้อง

### 5. การใช้และการดูแลรักษาแบตเตอรี่

- ชาร์จแบตเตอรี่ด้วยเครื่องชาร์จที่ผู้ผลิตแนะนำเท่านั้น เครื่องชาร์จที่เหมาะสมกับแบตเตอรี่แบบหนึ่ง อาจทำให้เกิดไฟไหม้ได้ถ้านำมาใช้กับแบตเตอรี่อีกแบบหนึ่ง
- ใช้เครื่องมือไฟฟ้าเฉพาะกับก้อนแบตเตอรี่ที่ออกแบบมาเป็นพิเศษเท่านั้น การใช้แบตเตอรี่แบบอื่นอาจทำให้เกิดการบาดเจ็บหรือเกิดไฟไหม้ได้
- เมื่อไม่ได้ใช้ก้อนแบตเตอรี่ ให้เก็บออกห่างจากวัตถุอื่นๆ ที่เป็นโลหะ เช่น คลิปหนีบกระดาษ เหรียญ กุญแจ เข็ม สกรูหรือวัตถุขนาดเล็กอื่นๆ ที่จากโลหะที่อาจทำให้เกิดการเชื่อมต่อจากขั้วหนึ่งไปอีกขั้วหนึ่ง การลัดวงจรบริเวณขั้วแบตเตอรี่อาจทำให้เกิดรอยไหม้หรือไฟไหม้ได้
- เมื่ออยู่ภายใต้สภาวะที่ไม่เหมาะสม อาจมีของเหลวไหลออกมาจากแบตเตอรี่ ให้หลีกเลี่ยงการสัมผัสกับของเหลวนั้น หากบังเอิญสัมผัสโดย

ไม่ตั้งใจ ให้ล้าออกด้วยน้ำปริมาณมาก หากของเหลวกระเด็นเข้าตา ควรรีบไปพบแพทย์ ของเหลวที่ออกมาจากแบตเตอรี่อาจทำให้เกิดอาการระคายเคืองหรือรอยไหม้ได้

- e. ห้ามใช้แบตเตอรี่หรือเครื่องมือที่มีการชำรุดเสียหายหรือได้รับการดัดแปลง แบตเตอรี่ที่ชำรุดเสียหายหรือได้รับการดัดแปลงอาจทำให้เกิดเหตุการณ์ที่ไม่คาดคิด เช่น ไฟไหม้ ระเบิด หรือความเสี่ยงอันก่อให้เกิดการบาดเจ็บได้
  - f. อย่านำแบตเตอรี่หรือเครื่องมือถูกไฟไหม้หรืออยู่ในพื้นที่ที่มีอุณหภูมิสูงเกินไป หากแบตเตอรี่ถูกไฟไหม้หรืออยู่ในพื้นที่ที่มีอุณหภูมิสูงเกิน 130°C อาจทำให้เกิดการระเบิดได้
  - g. ปฏิบัติตามคำแนะนำการชาร์จทุกขั้นตอนและไม่ชาร์จแบตเตอรี่หรือเครื่องมือในอุณหภูมิที่เกินจากที่กำหนดไว้ในคำแนะนำ การชาร์จที่ไม่ถูกต้องหรือในอุณหภูมิที่นอกเหนือจากที่กำหนดไว้อาจทำให้แบตเตอรี่เสียหายและเสี่ยงต่อการเกิดไฟไหม้ได้
6. การบริการ
- a. ให้ช่างซ่อมที่มีความเชี่ยวชาญเป็นผู้ซ่อมเครื่องมือไฟฟ้า และใช้อะไหล่ของแท้เท่านั้น ซึ่งจะช่วยให้มั่นใจได้ว่าเครื่องมือไฟฟ้ายังมีความปลอดภัยอยู่
  - b. ห้ามซ่อมแบตเตอรี่ที่ชำรุด ควรให้ผู้ผลิตหรือผู้ให้บริการที่ผ่านการรับรองเป็นผู้ซ่อมแบตเตอรี่เท่านั้น

## คำเตือนเพื่อความปลอดภัยสำหรับเครื่องเล็มสนามหญ้าและเครื่องเล็มขอบสนามหญ้า



**คำเตือน!** คำเตือนเพื่อความปลอดภัยเพิ่มเติมสำหรับเครื่องเล็มสนามหญ้าและเครื่องเล็มขอบสนามหญ้า

- ◆ ห้ามใช้เครื่องในสภาพอากาศที่เลวร้าย โดยเฉพาะอย่างยิ่งเมื่อมีความเสี่ยงในการเกิดฟ้าผ่า การทำเช่นนี้จะช่วยลดความเสี่ยงในการถูกฟ้าผ่าได้
  - ◆ ตรวจสอบพื้นที่ที่จะใช้เครื่องเล็มหญ้าอย่างละเอียดว่ามีสัตว์ป่าหรือไม่ สัตว์ป่าอาจได้รับบาดเจ็บจากเครื่องเล็มหญ้าระหว่างการทำงานได้
  - ◆ ตรวจสอบพื้นที่ที่จะใช้เครื่องเล็มหญ้าอย่างละเอียด และนำก้อนหิน กิ่งไม้ สายไฟ กระดุก และวัตถุแปลกปลอมอื่นๆ ออกให้หมด วัตถุที่กระเด็นอาจทำให้เกิดการบาดเจ็บได้
  - ◆ ก่อนที่จะใช้งานเครื่องเล็มหญ้า คุณจะต้องตรวจสอบด้วยตาเปล่าอยู่เสมอว่าเครื่องตัดและชุดเครื่องตัดไม่เสียหาย ชิ้นส่วนที่เสียหายจะเพิ่มความเสี่ยงในการบาดเจ็บ
  - ◆ ตรวจสอบอุปกรณ์เก็บหญ้าบ่อยๆ เพื่อดูการสึกหรอหรือการเสื่อมสภาพ อุปกรณ์เก็บหญ้าที่สึกหรอหรือชำรุดอาจเพิ่มความเสี่ยงต่อใบบาดเจ็บ
- ส่วนบุคคล
- ◆ ดูแลให้อุปกรณ์ป้องกันอยู่ในที่ที่เหมาะสม อุปกรณ์ป้องกันจะต้องอยู่ในสภาพที่ใช้งานได้ และได้รับการติดตั้งอย่างเหมาะสม อุปกรณ์ป้องกันที่หลวม เสียหาย หรือทำงานไม่เหมาะสมอาจส่งผลให้เกิดการบาดเจ็บส่วนบุคคลได้
  - ◆ ดูแลให้ช่องอากาศเข้าระบายความร้อนทั้งหมดปราศจากเศษต่างๆ ช่องอากาศเข้าที่ถูกปิดกั้นและเศษต่างๆ อาจส่งผลให้เกิดความร้อนสูงเกินหรือความเสี่ยงในการเกิดไฟไหม้
  - ◆ สวมอุปกรณ์ป้องกันดวงตาและอุปกรณ์ป้องกันหู อุปกรณ์ป้องกันที่มากพอจะช่วยลดการบาดเจ็บส่วนบุคคลได้
  - ◆ ขณะใช้งานเครื่องเล็มหญ้า คุณจะต้องสวมรองเท้ากันลื่นและรองเท้าป้องกันอยู่เสมอ ห้ามใช้งานเครื่องเล็มหญ้าเมื่อคุณเท้าเปล่าหรือสวมรองเท้าแตะแบบเปิดโล่ง การทำเช่นนี้จะช่วยลดโอกาสในการไถ้รับบาดเจ็บที่เท้าจากการสัมผัสกับเครื่องตัดที่กำลังเคลื่อนไหวอยู่
  - ◆ สวมเสื้อผ้า เช่น กางเกงขายาวที่คลุมขาของผู้ปฏิบัติงาน อยู่เสมอขณะใช้งานเครื่องเล็มหญ้า การสัมผัสกับเครื่องตัดหรือสายที่กำลังเคลื่อนไหวอยู่อาจทำให้เกิดการบาดเจ็บได้
  - ◆ ห้ามทำที่ยืนดูอยู่ใหล่อยู่ห่างออกไปขณะใช้งานเครื่องเล็มหญ้า เศษต่างๆ ที่กระเด็นอาจส่งผลให้เกิดการบาดเจ็บส่วนบุคคลสาหัสได้
  - ◆ ห้ามใช้งานเครื่องเล็มหญ้าเกินระดับเวลา การทำเช่นนี้จะช่วยป้องกันการสัมผัสเครื่องตัดโดยไม่ได้ตั้งใจ และช่วยให้สามารถควบคุมเครื่องเล็มหญ้าได้ดีขึ้นในสถานการณ์ที่ไม่คาดคิด
  - ◆ ใช้ความระมัดระวังเมื่อใช้งานเครื่องเล็มหญ้ากับหญ้าเปียก ใช้การเดิน ห้ามวิ่ง การทำเช่นนี้จะช่วยลดความเสี่ยงในการลื่นไถลซึ่งอาจส่งผลให้เกิดการบาดเจ็บส่วนบุคคลได้
  - ◆ ห้ามใช้งานเครื่องเล็มหญ้าบนทางลาดที่ชันมากเกินไป การทำเช่นนี้จะช่วยลดความเสี่ยงในการสูญเสียการควบคุม การลื่นไถลและการล้มลงซึ่งอาจส่งผลให้เกิดการบาดเจ็บส่วนบุคคลได้
  - ◆ เมื่อทำงานบนทางลาด คุณจะต้องมั่นใจเรื่องการวางเท้าของคุณอยู่เสมอ ทำงานตรงด้านหน้าของทางลาดอยู่เสมอ ห้ามขึ้นหรือลงโดยเด็ดขาด และใช้ความระมัดระวังเป็นอย่างมากเมื่อเปลี่ยนทิศทาง การทำเช่นนี้จะช่วยลดความเสี่ยงในการสูญเสียการควบคุม การลื่นไถล และการล้มลงซึ่งอาจส่งผลให้เกิดการบาดเจ็บส่วนบุคคลได้
  - ◆ เก็บสายไฟและสายเคเบิลทั้งหมดให้อยู่ห่างจากบริเวณที่ทำการตัด สายไฟหรือสายเคเบิลอาจซ่อนอยู่ในต้นไม้หรือพุ่มไม้ และอาจถูกตัดหรือทำให้เสียหายโดยไม่ได้ตั้งใจจากสายหรือเครื่องตัด
  - ◆ ดูแลให้ทุกส่วนของร่างกายอยู่ห่างจากเครื่อง

ตัดหรือสายที่กำลังเคลื่อนที่อยู่ ห้ามนำเศษหญ้า ออกจากเครื่องเล็มหญ้าจนกว่าจะตัดการเชื่อมต่อเครื่องเล็มหญ้าจากแหล่งจ่ายไฟ เครื่องตัดหรือสายของเครื่องเล็มหญ้าที่กำลังเคลื่อนไหวยังอาจส่งผลให้เกิดการบาดเจ็บส่วนบุคคลสาหัสได้

- ◆ ยกเครื่องเล็มหญ้าเมื่อปิดเครื่องแล้วและเครื่องอยู่ห่างจากร่างกายของคุณ การจัดการเครื่องเล็มหญ้าอย่างเหมาะสมจะช่วยลดโอกาสในการการสัมผัสกับเครื่องตัดหรือสายของเครื่องเล็มหญ้าที่กำลังเคลื่อนไหวยังไม่ตั้งใจ
- ◆ ใช้เฉพาะหัวตัดทดแทนและเครื่องตัดหรือสายของเครื่องเล็มหญ้าที่ระบุโดยผู้ผลิตเท่านั้น ห้ามเปลี่ยนเครื่องตัดหรือสายของเครื่องเล็มหญ้าโดยไขลวดโลหะหรือใบมีด ชิ้นส่วนทดแทนที่ไม่เหมาะสมอาจทำให้สูญเสียการควบคุม การแตกหัก และการบาดเจ็บ

### การใช้เครื่องมือของคุณ

ทำการดูแลเมื่อใช้งานอุปกรณ์อยู่เสมอ

- ◆ ใช้แว่นตานิรภัยหรือแว่นตาอยู่เสมอ
- ◆ ห้ามปล่อยให้เด็กหรือบุคคลที่ไม่คุ้นเคยกับคำแนะนำใช้งานอุปกรณ์โดยเด็ดขาด
- ◆ ห้ามปล่อยให้เด็กหรือสัตว์เข้ามาใกล้พื้นที่ทำงานหรือสัมผัสอุปกรณ์หรือสายจ่ายไฟ
- ◆ จำเป็นต้องมีการดูแลอย่างใกล้ชิดเมื่อใช้งานอุปกรณ์ใกล้กับเด็ก
- ◆ อุปกรณ์นี้ไม่ได้มีไว้สำหรับการใช้งานโดยเด็กเล็กหรือผู้ทุพพลภาพหากไม่มีการควบคุมดูแล
- ◆ ห้ามใช้อุปกรณ์นี้เป็นของเล่น
- ◆ ใช้อุปกรณ์นี้เฉพาะในเวลากลางวันหรือเมื่อมีแสงประดิษฐ์ที่ตีเท่านั้น
- ◆ ใช้งานอุปกรณ์นี้ในสถานที่ที่แห้งเท่านั้น ห้ามปล่อยให้ อุปกรณ์เปียกน้ำ
- ◆ หลีกเลี่ยงการใช้อุปกรณ์ในสภาพอากาศที่เลวร้าย โดยเฉพาะอย่างยิ่งเมื่อมีความเสี่ยงในการเกิดฟ้าผ่า
- ◆ ห้ามจุ่มอุปกรณ์ลงในน้ำ
- ◆ ห้ามเปิดตัวเครื่อง ไม่มีชิ้นส่วนที่ผู้ใช้สามารถซ่อมบำรุงได้เองอยู่ที่ด้านใน
- ◆ ห้ามใช้งานอุปกรณ์ในสภาวะที่อาจเกิดการระเบิดได้ เช่น เมื่อมีช่องเพลิง ก๊าซ หรือฝุ่นที่ติดไฟได้
- ◆ ห้ามดึงสายเคเบิลเพื่อถอดปลั๊กออกจากตัวรับโดยเด็ดขาดเพื่อลดความเสี่ยงในการเกิดความเสียหายต่อปลั๊กหรือสายไฟ
- ◆ ใช้อุปกรณ์นี้กับแหล่งจ่ายไฟที่เหมาะสมกับอุปกรณ์เท่านั้น

### ความปลอดภัยของผู้อื่น

- ◆ อุปกรณ์นี้ไม่ได้มีไว้สำหรับการใช้งานโดยบุคคล (รวมถึงเด็ก) ซึ่งมีความบกพร่องทางร่างกาย ประสาทสัมผัส หรือสภาพจิตใจ หรือขาดประสบการณ์และ

ความรู้หากบุคคลดังกล่าวไม่ได้รับการควบคุมดูแลหรือคำแนะนำเกี่ยวกับการใช้อุปกรณ์โดยบุคคลที่รับผิดชอบความปลอดภัยของบุคคลดังกล่าว

- ◆ เด็กจะต้องได้รับการควบคุมดูแลเพื่อให้แน่ใจว่าเด็กจะไม่เล่นกับอุปกรณ์

### ความเสี่ยงอื่นๆ ที่ยังมีอยู่.

ความเสี่ยงอื่นๆ ที่ไม่ได้ระบุในคำเตือนเพื่อความปลอดภัยนี้ อาจเกิดขึ้นได้เมื่อใช้เครื่องมือ ความเสี่ยงเหล่านี้อาจเกิดจากการใช้อย่างไม่ถูกต้อง การใช้เป็นเวลานาน เป็นต้น

แม้ว่าจะปฏิบัติตามข้อกำหนดด้านความปลอดภัยที่เกี่ยวข้อง และใช้อุปกรณ์นิรภัย แต่ความเสี่ยงอื่นๆ ที่ยังมีอยู่บางอย่างก็ไม่สามารถหลีกเลี่ยงได้ ความเสี่ยงเหล่านั้นได้แก่

- ◆ การบาดเจ็บที่เกิดจากการสัมผัสชิ้นส่วนที่เคลื่อนไหว
- ◆ การบาดเจ็บที่เกิดเมื่อเปลี่ยนชิ้นส่วน หรืออุปกรณ์เสริม
- ◆ การบาดเจ็บที่เกิดจากการใช้เครื่องมือเป็นระยะเวลานาน เมื่อใช้เครื่องมือเป็นระยะเวลานาน คุณจะต้องตรวจสอบให้แน่ใจว่าคุณได้หยุดพักเป็นระยะ
- ◆ ความบกพร่องในการไต่ขึ้นเสียง
- ◆ อันตรายที่มีต่อสุขภาพซึ่งเกิดจากการหายใจเอาฝุ่นที่เกิดขึ้นเมื่อใช้เครื่องมือของคุณเข้าไป (ตัวอย่าง:- การทำงานกับไม้โดยเฉพาะอย่างยิ่งต้นโอ๊ค ต้นมีชและ MDF)

### หลังการใช้งาน

- ◆ เมื่อไม่ได้ใช้งาน คุณจะต้องจัดเก็บอุปกรณ์ไว้ในที่ซึ่งแห้งและระบายอากาศดีให้พ้นจากมือเด็ก
- ◆ เด็กจะต้องไม่สามารถเข้าถึงอุปกรณ์ที่จัดเก็บไว้
- ◆ เมื่อจัดเก็บหรือขนย้ายอุปกรณ์ในยานพาหนะ คุณจะต้องวางอุปกรณ์ไว้ในเครื่องหุ้มหรือยึดอุปกรณ์ไว้เพื่อป้องกันการเคลื่อนที่หากมีการเปลี่ยนแปลงความเร็วหรือทิศทางอย่างกะทันหัน

### การตรวจสอบและการซ่อมแซม

- ◆ ก่อนการใช้งาน ตรวจสอบอุปกรณ์ว่ามีชิ้นส่วนที่เสียหายหรือชำรุดหรือไม่ ตรวจสอบการแตกหักของชิ้นส่วนและสภาวะอื่นๆ ที่อาจส่งผลต่อการทำงานของอุปกรณ์
- ◆ ห้ามใช้เครื่องหากมีชิ้นส่วนใดๆ ชำรุดเสียหายหรือบกพร่อง
- ◆ ให้ศูนย์ซ่อมที่ได้รับอนุญาตเป็นผู้ซ่อมแซมหรือเปลี่ยนชิ้นส่วนที่ชำรุดหรือบกพร่อง
- ◆ อย่าพยายามถอดหรือเปลี่ยนชิ้นส่วนใดๆ นอกเหนือจากที่ระบุในคู่มือนี้

## คำแนะนำเพื่อความปลอดภัยเพิ่มเติมสำหรับเครื่องเล็มหญ้า

**คำเตือน!** องค์ประกอบสำหรับการตัดจะยังคงหมุนต่อไปหลังจากปิดมอเตอร์แล้ว

- ♦ ทำความคุ้นเคยกับการควบคุมและการใช้งานอุปกรณ์อย่างเหมาะสม
- ♦ ถอดแบตเตอรี่ออกจากอุปกรณ์ทุกครั้งเมื่อใดก็ตามที่ไม่ได้ใช้งานอุปกรณ์ ก่อนที่จะกำจัดสิ่งอุดตัน ก่อนที่จะทำความสะอาดและบำรุงรักษา หลังจากการแตกกับวัตถุแปลกปลอม หรือเมื่อใดก็ตามที่อุปกรณ์เริ่มจะสิ้นสละหรือติดปกติ
- ♦ ห้ามใช้งานอุปกรณ์หากสายไฟชำรุดหรือลึ้กหรือ
- ♦ สวมรองเท้าที่แน่นหนาหรือรองเท้าบูทเพื่อป้องกันเท้าของคุณ
- ♦ สวมกางเกงขายาวเพื่อป้องกันขาของคุณ
- ♦ ก่อนที่จะใช้งานอุปกรณ์ คุณจะต้องตรวจสอบว่าเส้นทางทางการตัดของคุณปราศจากกิ่งไม้ ก้อนหิน สายไฟ และสิ่งกีดขวางอื่นๆ
- ♦ ใช้อุปกรณ์ในตำแหน่งตั้งตรงเท่านั้นโดยให้สายตัดอยู่ใกล้กับพื้น ห้ามเปิดเครื่องเมื่ออยู่ในตำแหน่งอื่นโดยเด็ดขาด
- ♦ เคลื่อนไหวช้าๆ เมื่อใช้อุปกรณ์ ฟังทราบว่ามีหญ้าที่ตัดใหม่นั้นทั้งขึ้นและสิ้น
- ♦ ห้ามทำงานบนทางลาดชัน ทางงานตรงด้านหน้าของทางลาดอยู่เสมอ ห้ามขึ้นหรือลงโดยเด็ดขาด
- ♦ ห้ามข้ามทางหรือถนนโรยกรวดในขณะที่เครื่องกำลังทำงานอยู่โดยเด็ดขาด
- ♦ ห้ามสัมผัสกับสายตัดในขณะที่เครื่องกำลังทำงานอยู่โดยเด็ดขาด
- ♦ ห้ามวางเครื่องลงจนกว่าสายตัดจะหยุดสนิท
- ♦ ใช้ประเภทของสายตัดที่เหมาะสมหรือไม่มีใบเรซินของ BLACK+DECKER เท่านั้น ห้ามใช้สายตัดที่โลหะหรือสายเบ็ด
- ♦ ระวังอย่าสัมผัสใบมีดสำหรับเล็มหญ้า
- ♦ ระวังอย่าให้สายเคเบิลของแหล่งจ่ายไฟหลักอยู่ห่างจากสายตัด ฟังระวังตำแหน่งของสายเคเบิลอยู่เสมอ
- ♦ วางมือและเท้าให้อยู่ห่างจากสายตัดตลอดเวลาโดยเฉพาะอย่างยิ่งเมื่อปิดมอเตอร์
- ♦ ก่อนใช้งานอุปกรณ์และหลังเกิดการกระแทกทุกครั้ง คุณจะต้องตรวจสอบสัญญาณที่บ่งถึงการลึ้กหรือหรือความเสียหาย และทำการซ่อมแซมในกรณีจำเป็น
- ♦ ห้ามใช้งานเครื่องเมื่ออุปกรณ์ป้องกันเสียหายหรือเมื่อไม่ได้ใส่อุปกรณ์ป้องกัน
- ♦ ระวังการบาดเจ็บจากอุปกรณ์ใดก็ตามที่ติดตั้งสำหรับการลดความยาวของสาย หลังจากเพิ่มสายตัดใหม่แล้ว คุณจะต้องให้เครื่องกลับไปที่ตำแหน่งการทำงานปกติก่อนที่จะเปิดเครื่องทุกครั้ง
- ♦ ตรวจสอบให้แน่ใจอยู่เสมอว่าช่องระบายอากาศปราศจากเศษต่างๆ

- ♦ ห้ามใช้เครื่องเล็มสนามหญ้า (เครื่องเล็มขอบ) หากสายไฟชำรุดหรือลึ้กหรือ
- ♦ เก็บสายต่อพ่วงให้อยู่ห่างจากองค์ประกอบสำหรับการตัด

## คำแนะนำเพื่อความปลอดภัยเพิ่มเติมสำหรับแบตเตอรี่และที่ชาร์จ

### แบตเตอรี่

- ♦ ห้ามพยายามแกะตัวแบตเตอรี่ในทุกกรณี
- ♦ อย่าให้แบตเตอรี่สัมผัสน้ำ
- ♦ อย่านำแบตเตอรี่ในสถานที่ที่อุณหภูมิอาจสูงเกิน 40°C
- ♦ ชาร์จแบตเตอรี่ที่อุณหภูมิห้องระหว่าง 10°C ถึง 40°C เท่านั้น
- ♦ ชาร์จแบตเตอรี่ด้วยเครื่องชาร์จที่ใหม่มา
- ♦ เมื่อจะทิ้งแบตเตอรี่ ให้ทำตามคำแนะนำในส่วน "การปกป้องสิ่งแวดล้อม"

### เครื่องชาร์จ

- ♦ ใช้เครื่องชาร์จ Black+Decker เพื่อชาร์จแบตเตอรี่ภายในเครื่องที่ใหม่พร้อมกันเท่านั้น การชาร์จแบตเตอรี่ชนิดอื่นๆ อาจทำให้แบตเตอรี่ระเบิดและเกิดการบาดเจ็บและความเสียหายได้
- ♦ ห้ามชาร์จ แบตเตอรี่ชนิดชาร์จซ้ำไม่ได้
- ♦ รีบเปลี่ยนสายที่ชำรุดเสียหายทันที
- ♦ อย่าให้เครื่องชาร์จสัมผัสน้ำ
- ♦ ห้ามแกะเปิดเครื่องชาร์จ
- ♦ ห้ามใช้สิ่งใดแทนเข้าไปในตัวเครื่องชาร์จ



ฐานเครื่องชาร์จนี้มี วัตถุประสงค์เพื่อ การใช้งานในที่ร่มเท่านั้น



อ่านคู่มือฉบับนี้โดยละเอียดก่อนที่จะใช้งานอุปกรณ์

## ความปลอดภัยทางไฟฟ้า



ที่ชาร์จของคุณเกินจำนวนสองชั้น ดังนั้น คุณจึงไม่จำเป็นต้องต่อสายดิน ตรวจสอบเสมอว่าแรงดันไฟของแหล่งจ่ายไฟหลักตรงกับแรงดันไฟฟ้าที่ระบุบนป้าย ห้ามพยายามเปลี่ยนที่ชาร์จโดยใช้ปลั๊กของแหล่งจ่ายไฟหลักทั่วไปโดยเด็ดขาด

- ♦ หากสายจ่ายไฟชำรุด สายจ่ายไฟดังกล่าวจะต้องได้รับการเปลี่ยนโดยผู้ผลิตหรือศูนย์บริการ BLACK+DECKER ที่ได้รับอนุญาตเพื่อหลีกเลี่ยงอันตราย

## ฉลากบนอุปกรณ์

คุณจะต้องพบสัญลักษณ์ค่าเตือนดังต่อไปนี้บนอุปกรณ์พร้อมกับรหัสวันที่:



อ่านคู่มือก่อนที่จะใช้งาน



สวมแว่นตานิรภัยหรือแว่นตาเมื่อใช้งานอุปกรณ์นี้



สวมอุปกรณ์ป้องกันหูที่เหมาะสมเมื่อใช้งานอุปกรณ์นี้



ถอดแบตเตอรี่ออกจากอุปกรณ์ทุกครั้งก่อนที่จะทำความสะอาดหรือทำการบำรุงรักษา



ระวังวัตถุที่ปลิวว่อน กันผู้ที่ยืนอยู่ห่างๆ จากบริเวณที่ทำการตัด



ห้ามให้อุปกรณ์โดนฝนหรือมีความชื้นสูง



ห้ามใช้ใบมีดที่เป็นโลหะ

## คุณลักษณะเด่น

อุปกรณ์นี้มีคุณลักษณะเด่นบางส่วนหรือทั้งหมดดังต่อไปนี้

1. สวิตช์สั่งงาน
2. ปุ่มล็อก
3. ต่อมจับ
4. สวิตช์ควบคุมความเร็ว
5. ต่อมจับเสริม
6. ปลอดภัยปรับความเร็ว
7. ปลอดภัยแบบพลิกไปทีชอบ
8. หัวของเครื่องเสริมหญ้า
9. ล้อขอบ
10. อุปกรณ์ป้องกัน
11. ช่องเก็บแกนมันสาย
12. โครงใบมีดเรซิน
13. ช่องเก็บใบมีดเรซิน
14. แบตเตอรี่

## การชาร์จแบตเตอรี่ (รูป. A)

คุณจะต้องชาร์จแบตเตอรี่ก่อนที่จะใช้งานครั้งแรกและเมื่อใดก็ตามที่อุปกรณ์ไม่สามารถให้พลังงานที่มากพอสำหรับงานที่เคยทำง่ายๆ มาก่อน แบตเตอรี่อาจจะร้อน

ขึ้นได้ในขณะชาร์จซึ่งถือเป็นเรื่องปกติ และไม่ได้บ่งบอกถึงปัญหาใดๆ

**คำเตือน!** ห้ามชาร์จแบตเตอรี่ที่อุณหภูมิแวดล้อมต่ำกว่า 10°C หรือสูงกว่า 40°C อุณหภูมิการชาร์จที่แนะนำ: ประมาณ 24°C

**หมายเหตุ:** ที่ชาร์จจะไม่ชาร์จแบตเตอรี่หากอุณหภูมิของแบตเตอรี่ต่ำกว่า 10°C หรือสูงกว่า 40°C โดยประมาณ **ตรวจวางแบตเตอรี่ทิ้งไว้ในที่ชาร์จ ที่ชาร์จจะเริ่มทำการชาร์จแบตเตอรี่โดยอัตโนมัติเมื่ออุณหภูมิของแบตเตอรี่ร้อนขึ้นหรือเย็นลง**

◆ เสียบที่ชาร์จเข้ากับเต้ารับที่เหมาะสมก่อนที่จะใส่ชุดแบตเตอรี่

◆ ใส่ชุดแบตเตอรี่เข้าไปในที่ชาร์จ



ไฟ LED สีเขียวจะกะพริบซึ่งแสดงว่ากำลังชาร์จแบตเตอรี่อยู่



การชาร์จเสร็จจะได้รับการแสดงด้วยไฟ LED สีเขียวซึ่งสว่างอย่างต่อเนื่อง ชุดแบตเตอรี่ได้รับการชาร์จจนเต็มแล้ว และสามารถนำไปใช้ได้เลยหรือวางทิ้งไว้ในที่ชาร์จก็ได้

**คำเตือน!** ชาร์จแบตเตอรี่ที่ใช้งานหมดแล้วใหม่โดยเร็วที่สุดหลังการใช้งาน มีเช่นนั้น อายุการใช้งานของแบตเตอรี่จะลดลงเป็นอย่างมาก

## การวินิจฉัยที่ชาร์จ

ที่ชาร์จนี้ได้รับการออกแบบมาเพื่อตรวจจับปัญหาบางอย่างที่อาจจะเกิดขึ้นกับชุดแบตเตอรี่หรือแหล่งพลังงาน ปัญหาต่างๆ จะได้รับการระบุด้วยไฟ LED ซึ่งกะพริบในรูปแบบที่แตกต่างกันออกไป

## แบตเตอรี่ไม่ดี



ที่ชาร์จสามารถตรวจจับแบตเตอรี่ที่อ่อนหรือแบตเตอรี่ที่เสียหายได้ ไฟ LED สีแดงจะกะพริบตามรูปแบบที่ระบุไว้บนฉลาก หากคุณเห็นรูปแบบการกะพริบซึ่งแสดงว่าแบตเตอรี่ไม่ดีดังกล่าว คุณจะต้องไม่ชาร์จแบตเตอรี่ต่อไป และส่งคืนแบตเตอรี่ไปที่ศูนย์บริการหรือสถานที่เก็บรวบรวมสำหรับการนำไปรีไซเคิล

## การหน่วงการชาร์จเนื่องจากชุดแบตเตอรี่ร้อน/เย็น



เมื่อที่ชาร์จตรวจพบแบตเตอรี่ที่ร้อนเกินไปหรือเย็นเกินไป ที่ชาร์จจะเริ่มต้นการหน่วงการชาร์จเนื่องจากชุดแบตเตอรี่ร้อน/เย็นโดยอัตโนมัติ เพื่อระงับการชาร์จจนกว่าแบตเตอรี่จะเป็นปกติ

หลังจากเกิดเรื่องดังกล่าวขึ้น ที่ซาร์จจะสลับไปเป็นโหมดการซาร์จชุดแบตเตอรี่โดยอัตโนมัติ พีเจอร์นี้จะช่วยให้คุณมั่นใจได้ถึงอายุการใช้งานของแบตเตอรี่สูงสุด ไฟ LED สีแดงจะกะพริบตามรูปแบบที่ระบุไว้บนฉลากเมื่อตรวจพบการหน่วงการซาร์จเนื่องจากชุดแบตเตอรี่อ่อน/เย็น

### การวางแบตเตอรี่ทิ้งไว้ในที่ซาร์จ

คุณสามารถเชื่อมต่อที่ซาร์จและชุดแบตเตอรี่ทิ้งไว้ได้โดยที่ไฟ LED จะสว่างอยู่ตลอดเวลา ที่ซาร์จจะทำให้ชุดแบตเตอรี่สดใหม่และได้รับการซาร์จจนเต็มอยู่เสมอ

### หมายเหตุการซาร์จที่สำคัญ

- ◆ อายุการใช้งานที่ยาวนานที่สุดและประสิทธิภาพที่ดีที่สุดจะเกิดขึ้นได้หากคุณซาร์จชุดแบตเตอรี่เมื่ออุณหภูมิของอากาศอยู่ที่ระหว่าง 65°F ถึง 75°F (18°C - 24°C) ห้ามซาร์จชุดแบตเตอรี่หากอุณหภูมิของอากาศต่ำกว่า +40°F (+4.5°C) หรือสูงกว่า +105°F (+40.5°C) นี่เป็นเรื่องสำคัญและจะช่วยป้องกันความเสียหายร้ายแรงที่จะเกิดขึ้นกับชุดแบตเตอรี่
- ◆ ที่ซาร์จและชุดแบตเตอรี่อาจจะร้อนขึ้นได้เวลาสัมผัส ในขณะที่ทำการซาร์จ นี่เป็นสภาวะปกติ และไม่ได้บ่งบอกถึงปัญหาใดๆ หลีกเลี่ยงการวางที่ซาร์จหรือชุดแบตเตอรี่ไว้ในสภาพแวดล้อมที่อบอวน เช่น ในเพิงโลหะ หรือในรถพวงที่ไม่ได้หุ้มฉนวน เพื่อให้ชุดแบตเตอรี่เย็นตัวลงหลังการใช้งาน
- ◆ หากชุดแบตเตอรี่ไม่ทำการซาร์จอย่างเหมาะสม:
  - ◆ ตรวจสอบกระแสไฟฟ้าที่เต้ารับโดยการสลับปลั๊กหลอดไฟหรืออุปกรณ์อื่นๆ
  - ◆ ตรวจสอบว่าคุณได้เชื่อมต่อเต้ารับเข้ากับสวิตช์ไฟซึ่งจะปิดเมื่อคุณเปิดไฟหรือไม่
  - ◆ ย้ายที่ซาร์จและชุดแบตเตอรี่ไปยังตำแหน่งที่มีอุณหภูมิของอากาศโดยรอบ 65°F - 75°F (18° - 24°C) โดยประมาณ
  - ◆ หากมีปัญหากการซาร์จยังคงอยู่ ให้คุณนำอุปกรณ์ ชุดแบตเตอรี่ และที่ซาร์จไปที่ศูนย์บริการในพื้นที่ของคุณ
- ◆ คุณจะต้องซาร์จชุดแบตเตอรี่ใหม่เมื่ออุปกรณ์ไม่สามารถให้พลังงานที่มากพอสำหรับงานที่เคยทำง่ายขึ้น มาก่อน ห้ามใช้แบตเตอรี่ในสภาวะดังต่อไปนี้ปฏิบัติตามขั้นตอนการซาร์จ
- ◆ คุณสามารถซาร์จชุดแบตเตอรี่ที่ใช้งานไปแล้วเป็นบางส่วนได้เช่นกันเมื่อใดก็ตามที่คุณต้องการทำเช่นนั้น เรื่องดังกล่าวจะไม่ส่งผลเสียต่อชุดแบตเตอรี่ วัสดุแลกเปลี่ยนที่มีลักษณะเป็นตัวนำไฟฟ้าซึ่งรวมถึงแต่ไม่จำกัดเพียงฝอยเหล็ก อลูมิเนียมฟอยล์ หรือการสะสมของอนุภาคโลหะใดก็ตามจะต้องได้รับการเก็บให้อยู่ห่างจากช่องต่างๆ ของที่ซาร์จ ถอดปลั๊กที่ซาร์จออกจากแหล่งจ่ายไฟอยู่เสมอเมื่อไม่มีแบตเตอรี่อยู่

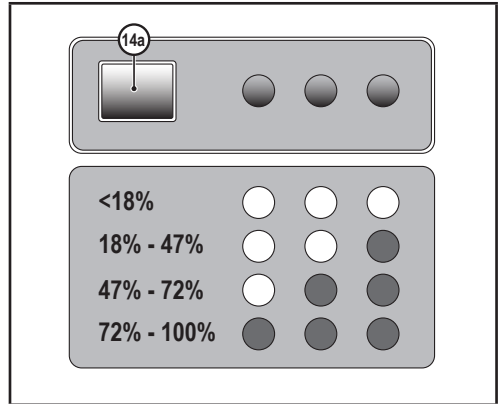
ในช่วง ถอดปลั๊กที่ซาร์จก่อนที่คุณจะทำความสะอาด ◆ ห้ามนำที่ซาร์จไปแช่แข็งหรือจุ่มลงในน้ำหรือในของเหลวอื่นๆ

**คำเตือน!** อันตรายจากไฟฟ้าดูด ห้ามปล่อยให้ของเหลวใดก็ตามเข้าไปในที่ซาร์จ ห้ามพยายามเปิดชุดแบตเตอรี่ไม่ว่าจะด้วยเหตุผลใดก็ตาม

หากโครงพลาสติกของชุดแบตเตอรี่แตกหรือร้าว คุณจะต้องส่งแบตเตอรี่กลับไปที่ศูนย์บริการสำหรับการนำไปรีไซเคิล

### สถานะของแบตเตอรี่และไฟแสดงสถานะการซาร์จ (รูป A1)

แบตเตอรี่มีไฟแสดงการซาร์จเพื่อระบุขอบเขตอายุการใช้งานของแบตเตอรี่อย่างรวดเร็วตามที่แสดงในรูป A1 เมื่อกดปุ่มสถานะการซาร์จ (14a) คุณจะสามารถดูประจกที่เหลืออยู่ในแบตเตอรี่ได้อย่างชัดเจนตามสิ่งที่แสดงในรูป A1



### การใส่และการถอดชุดแบตเตอรี่ออกจากอุปกรณ์

**คำเตือน!** ตรวจสอบให้แน่ใจว่าคุณไม่ได้ใช้งานปุ่มล็อกเพื่อป้องกันการส่งงานสวิตช์ก่อนที่จะถอดหรือใส่แบตเตอรี่

### การใส่ชุดแบตเตอรี่

ใส่ก่อนแบตเตอรี่ (14) ลงในเครื่องดูดฝุ่นจนกว่าจะได้ยินเสียงคลิก (รูป B) ตรวจสอบให้แน่ใจว่าได้ใส่ก่อนแบตเตอรี่เข้าที่จนแน่นและล็อกเข้าที่จนสุดแล้ว

### การถอดชุดแบตเตอรี่

กดปุ่มปลดแบตเตอรี่ (14b) ตามที่แสดงในรูปภาพ C แล้วดึงก้อนแบตเตอรี่ออกจากเครื่องดูดฝุ่น

### การประกอบ

**คำเตือน!** ก่อนที่จะทำการประกอบ คุณจะต้องตรวจสอบให้แน่ใจว่าคุณได้ปิดเครื่องมือ และถอดแบตเตอรี่ออกแล้ว



**เครื่องมือสำหรับการประกอบที่จำเป็นต้องใช้ (ไม่ได้ให้มาด้วย):** ไขควงปากแฉก

### การใส่อุปกรณ์ป้องกัน

**คำเตือน!** ถอดแบตเตอรี่ออกจากอุปกรณ์ก่อนที่จะพยายามใส่อุปกรณ์ป้องกัน ด้านำขอบ หรือด้านจับ ห้ามใช้งานอุปกรณ์หากไม่ได้ใส่อุปกรณ์ป้องกันเข้าที่โดยเด็ดขาด อุปกรณ์ป้องกันจะต้องอยู่กับอุปกรณ์อยู่เสมอเพื่อปกป้องผู้ใช้

- ◆ ถอดสกรูออกจากอุปกรณ์ป้องกัน
- ◆ คว่ำเครื่องเล็มหญ้าลงเพื่อที่คุณจะได้สามารถมองลงไปที่ฝาปิดแกนหมุนสาย (11) ได้
- ◆ คว่ำอุปกรณ์ป้องกัน (10) ลง และเลื่อนอุปกรณ์ป้องกันไปบนตัวเรือนมอเตอร์ (16) จนสุด ตรวจสอบให้แน่นในวาล์ว (17) บนอุปกรณ์ป้องกันล็อกเข้ากับโครง (18) บนตัวเรือนมอเตอร์ตามที่แสดงในรูป
- ◆ เลื่อนอุปกรณ์ป้องกันต่อไปจนกว่าคุณจะได้ยินเสียง "ล็อก" เข้าที่ ปุ่มล็อก (19) จะต้องล็อกเข้าไปในช่องตัวเรือน (20)
- ◆ ใช้ไขควงปากแฉก ใส่สกรูของอุปกรณ์ป้องกัน และขันให้แน่นตามที่แสดงในรูป E เพื่อประกอบอุปกรณ์ป้องกันให้เสร็จ
- ◆ เมื่อใส่อุปกรณ์ป้องกันแล้ว ถอดสว่านปิดออกจากใบมีดตัดของสายซึ่งอยู่ตรงขอบของอุปกรณ์ป้องกัน

**คำเตือน!** ห้ามใช้เครื่องมือโดยเด็ดขาดหากไม่ได้ใส่อุปกรณ์ป้องกันอย่างเหมาะสม

### การใส่ด้ามจับเสริม

- ◆ กดปุ่ม (21) ตรงทั้งสองด้านของตัวเรือนด้านบนตามที่แสดงในรูป F หากต้องการใส่ด้ามจับ
- ◆ วางตำแหน่งของด้ามจับตามที่แสดงในรูป G (โดยให้โลโก้ของ BLACK+DECKER หงายหน้าขึ้น) กดด้ามจับเป็นบางส่วนเพื่อยึดปุ่มต่างๆ ค้างไว้เมื่อคุณปล่อยปุ่มด้วยมือ
- ◆ ดันที่จับลงบนตัวเรือนจนสุด และวางตำแหน่งของด้ามจับจนกระทั่ง "ล็อก" เข้าที่
- ◆ หากต้องการปรับด้ามจับขึ้นหรือลง ให้คุณกดปุ่ม (22) และยกหรือลดด้ามจับ (รูป H)
- ◆ คุณจะต้องปรับด้ามจับเพื่อให้แขนหน้าของคุณเหยียดตรงเมื่อเครื่องเล็มหญ้าอยู่ในตำแหน่งทำงาน

### การปรับความสูง

**คำเตือน!** ปรับความยาวของเครื่องเล็มหญ้าเพื่อให้ได้ตำแหน่งการทำงานที่เหมาะสมตามที่แสดงในรูป

- ◆ คุณสามารถปรับความสูงโดยรวมของเครื่องเล็มหญ้าได้โดยการคลายปลอกปรับความสูง (6) โดยการหมุนปลอกไปในทิศทางของลูกศรตามที่แสดงในรูป I
- ◆ เลื่อนตัวเรือนด้านบนขึ้นหรือลงตรงๆ เมื่อได้ความสูงตามที่ต้องการแล้ว ให้คุณขันปลอกให้แน่นโดยการหมุนปลอกให้ตรงข้ามกับทิศทางตามที่แสดงในรูป I

### การใช้งาน

**คำเตือน!** ใช้อุปกรณ์ป้องกันดวงตาที่เหมาะสมอยู่เสมอ

**คำเตือน!** ก่อนที่คุณจะเริ่มต้นการเล็มหญ้า คุณจะต้องใช้

เฉพาะประเภทของสายตัดหรือใบมีดที่เหมาะสมเท่านั้น  
**หมายเหตุ:** ตรวจสอบบริเวณที่คุณจะทำการเล็มหญ้า และนำสายไฟ สาย หรือวัตถุใดก็ตามที่คล้ายเชือกซึ่งอาจพันเข้ากับสายหมุน แกนหมุนสาย หรือหัวใบมีดออกให้หมด ให้ความระมัดระวังเป็นพิเศษเพื่อหลีกเลี่ยงสายไฟที่อาจจะโค้งงอออกไปด้านนอกจนเข้าไปในเส้นทางของอุปกรณ์ เช่น เหยียงตรงฐานของรั้วตาข่ายกัก

### การเปิดและการปิดเครื่อง

- ◆ กดปุ่มล็อก (2) และบีบสวิตช์สั่งงาน (1) หากต้องการเปิดเครื่อง
- ◆ ปล่อยสวิตช์สั่งงานหากต้องการปิดเครื่อง

### การใช้งานเครื่องเล็มหญ้า

- ◆ เมื่อเปิดเครื่องอยู่ ให้ท่ามอุปกรณ์ และค่อยๆ เหยียงเครื่องเล็มหญ้าไปด้านข้างตามที่แสดงในรูป J
- ◆ รักษามุมตัดให้อยู่ที่ 5° ถึง 10° ตามที่แสดงในรูป K มุมจะต้องไม่เกิน 10° (รูป K) ตัดตรงปลายสายหรือใบมีด ไขล้อขอบ (9) เพื่อรักษาระยะห่างจากพื้นผิวที่แข็ง
- ◆ รักษาระยะห่างขั้นต่ำให้อยู่ที่ 60 ซม. ระหว่างอุปกรณ์ป้องกันกับเท้าของคุณตามที่แสดงในรูป L ปรับความสูงโดยรวมของเครื่องเล็มหญ้าตามที่แสดงในรูป I เพื่อให้ได้ระยะห่างดังกล่าว

### การเปลี่ยนเป็นโหมดเล็มขอบ

**คำเตือน!** คุณจะต้องใช้ด้านำขอบล่อเมื่ออยู่ในโหมดเล็มขอบเท่านั้น คุณสามารถใช้เครื่องเล็มหญ้าได้ในโหมดเล็มหญ้าหรือโหมดเล็มขอบเพื่อเล็มหญ้าที่ยื่นออกมาตามขอบสนามหญ้าและแปลงดอกไม้ สำหรับการเล็มขอบนั้น หัวของเครื่องเล็มหญ้าจะต้องอยู่ในตำแหน่งตามที่แสดงในรูป M หากไม่เป็นเช่นนั้น:

- ◆ ถอดแบตเตอรี่ออกจากเครื่องเล็มหญ้า
- ◆ จับปลอกแบบพลิกไปที่ขอบ (7) และกดลงตามที่แสดงในส่วนที่ 1 ของรูป M
- ◆ หมุนปลอกแบบพลิกไปที่ขอบ 180° ทวนเข็มนาฬิกาตามที่แสดงในส่วนที่ 2 จนกระทั่งด้ามจับกลับเข้าไปอยู่ในที่ตรงครึ่งบนของเครื่องเล็มหญ้า
- ◆ หากต้องการกลับไปตำแหน่งการเล็ม ให้คุณดึงปลอกแบบพลิกไปที่ขอบลง และหมุนหัวของเครื่องเล็มหญ้าตามเข็มนาฬิกาเพื่อกลับไปยังตำแหน่งเดิม

**หมายเหตุ:** คุณจะพบการสึกหรอของสายตัดที่เร็วกว่าปกติหากสายตัดของเครื่องเล็มหญ้าวางอยู่บนหรือทางเท้าหรือพื้นผิวที่มีฤทธิ์กัดกร่อนโดยตรง

### การเล็มขอบ

**คำเตือน!** เมื่อใช้เป็นเครื่องเล็มขอบ สายตัดหรือใบมีดอาจจะเหยียดกอนหิน เศษโลหะ และวัตถุอื่นๆ ด้วยความเร็วสูง เครื่องเล็มหญ้าและอุปกรณ์ป้องกันได้รับการออกแบบมาเพื่อลดอันตราย อย่างไรก็ตาม คุณจะต้องตรวจสอบให้แน่ใจว่าคุณปลอดภัยและสัตว์เลี้ยงอยู่ห่างออกไปอย่างน้อย 30 เมตร คุณจะได้รับผลลัพธ์จากการตัดที่เหมาะสมที่สุดเมื่อขอบลึกกว่า 50 มม.

- ◆ ห้ามใช้เครื่องเล็มหญ้านี้ในการสร้างร่องลึก

- ◆ ใช้ล้อเล็มขอบ (9) นำทางเครื่องเล็มหญ้าตามที่แสดงในรูป N
- ◆ วางตำแหน่งล้อเล็มขอบบนขอบของทางเท้าหรือพื้นผิวที่ควรรอบเพื่อให้อายุตัดอยู่เหนือหญ้าหรือพื้นที่ซึ่งปรกที่จะทำการเล็มขอบ
- ◆ หากต้องการตัดให้ใกล้ขึ้น คุณจะต้องเอียงเครื่องเล็มหญ้าเล็กน้อย

## โหมดการควบคุมความเร็วและการเพิ่มเวลาทำงาน

เครื่องเล็มหญ้าแบบสายนี้จะช่วยให้คุณทำงานด้วยความเร็วที่มีประสิทธิภาพมากขึ้นเพื่อเพิ่มเวลาทำงานสำหรับงานที่มีขนาดใหญ่ หรือเร่งความเร็วของเครื่องเล็มหญ้าเพื่อให้ได้การตัดที่มีประสิทธิภาพสูง (รูป O)

- ◆ หากต้องการเพิ่มเวลาทำงาน ให้คุณดึงสวิตช์ควบคุมความเร็ว (4) กลับเข้าหาเบดเดอรี (12) ให้อยู่ในตำแหน่ง #1 โหมดนี้จะเหมาะสมที่สุดสำหรับโครงการขนาดใหญ่ที่ต้องใช้เวลามากกว่าในการดำเนินการให้เสร็จสิ้น
- ◆ หากต้องการเร่งความเร็วของเครื่องเล็มหญ้า ให้คุณกดสวิตช์ควบคุมความเร็วไปข้างหน้าไปทางหัวของเครื่องเล็มหญ้า (8) ให้อยู่ในตำแหน่ง #2 โหมดนี้จะเหมาะสมที่สุดในการตัดหญ้าที่หนาแน่นมากกว่าและสำหรับการใช้งานที่ต้องใช้ RPM สูงกว่า

**หมายเหตุ:** เมื่ออยู่ในโหมดการเร่งความเร็ว (#2) เวลาทำงานจะลดลงเมื่อเทียบกับเมื่อเครื่องเล็มหญ้าอยู่ในโหมดการเพิ่มเวลาทำงาน (#1)

## เคล็ดลับที่เป็นประโยชน์สำหรับการตัด

- ◆ ใช้ปลายของสายหรือใบมีดในการตัด อย่ายับคับหัวของสายเข้าไปในหญ้าที่ยังไม่ได้ตัด ใช้น้ำขอบตามแนวรั้ว บ้าน และแปลงดอกไม้เพื่อการปฏิบัติงานที่ดีที่สุด
- ◆ รั้วลวดและรั้วเสาะจะทำให้สายสึกหรอหรือแม้แต่แตกหักมากเป็นพิเศษ ผืนหินและอิฐ ขอบถนน และไม้จะทำให้สายหรือใบมีดสึกหรออย่างรวดเร็ว
- ◆ ห้ามปล่อยให้ฟลายด์แกนมันสายลากไปบนพื้นดินหรือพื้นผิวอื่น ๆ
- ◆ สำหรับหญ้าที่สูงมาก ให้คุณตัดจากบนลงล่าง และสูงไม่เกิน 300 มม.
- ◆ เครื่องเล็มหญ้าจะต้องเอียงไปทางบริเวณที่ถูกตัดอยู่เสมอ นี่คือการป้องกันการตัดที่ดีที่สุด
- ◆ เครื่องเล็มหญ้าจะตัดเมื่อผ่านตัวเครื่องจากขวาไปซ้าย การทำงานเช่นนี้จะช่วยไม่ให้เศษกระเด็นเข้าหาผู้ปฏิบัติงาน
- ◆ หลีกเลี่ยงต้นไม้และพุ่มไม้ เปลือกไม้ โครงไม้ ผืนง และเสารั้วอาจเสียหายได้ง่ายจากสายตัด

## สายตัด / การป้อนสาย

เครื่องเล็มหญ้าของคุณใช้สายในลอนทรงกลมซึ่งมีเส้นผ่านศูนย์กลาง 1.65 มม. ระหว่างการใช้งาน ปลายของสายในลอนจะหลุดลื่นและสึกหรอในขณะที่แกนมันสายซึ่งใช้การป้อนสายด้วยตัวเองแบบพิเศษจะป้อนและตัด

สายใหม่มีความยาวใหม่โดยอัตโนมัติ สายตัดจะสึกหรอเร็วขึ้น และต้องมีการป้อนสายมากขึ้นหากทำการตัดหรือเล็มขอบตามทางเท้าหรือพื้นผิวที่มีฤทธิ์กัดกร่อนอื่นๆ หรือทำการตัดรั้วพืชที่หนาแน่น กลไกการป้อนสายโดยอัตโนมัติขั้นสูงจะตรวจจับเมื่อจำเป็นต้องใช้สายตัดมากขึ้น รวมถึงจะป้อนและตัดความยาวของสายที่เหมาะสมในทุกครั้งที่จะจำเป็น ห้ามกระแทกเครื่องเล็มหญ้าบนพื้นเพื่อพยายามป้อนสายหรือเพื่อวัตถุประสงค์อื่นใด

## การนำสายที่ติดและพันกันออก (รูป P, Q, R)

**คำเตือน!** ถอดเบดเดอรีออกจากเครื่องเล็มหญ้าก่อนที่จะทำการประกอบ ปรับแต่ง หรือเปลี่ยนอุปกรณ์เสริมมาตรฐานความปลอดภัยซึ่งป้องกันดังกล่าวจะช่วยลดความเสี่ยงในการเริ่มต้นใช้งานเครื่องโดยไม่ตั้งใจ คุมป้อนสายอาจจะหลุดตันไปด้วยอย่างไม่หรือวัสดุอื่นในขณะที่ยังจะติดขัดในบางครั้งโดยเฉพาะอย่างยิ่งเมื่อตัดรั้วพืชที่หนาแน่นหรือมีก้าน หากต้องการนำสายที่ติดออก คุณจะต้องปฏิบัติตามขั้นตอนต่างๆ ดังต่อไปนี้

- ◆ ถอดเบดเดอรีออกจากเครื่องเล็มหญ้า
- ◆ กดปุ่มปล่อย (23) บนฟลายด์แกนมันสาย (24) ตามที่แสดงในรูป P และถอดฟลายด์โดยดึงออกตรงๆ
- ◆ ดึงแกนมันสายในลอนออก และนำสายที่ขาดหรือเศษจากการตัดออกจากบริเวณแกนมันสาย
- ◆ ใส่แกนมันสายและสายเข้าไปในฟลายด์แกนมันสายโดยให้สาย "หยุด" ในช่องที่ให้อายุตามที่แสดงในรูป O1
- ◆ สอดปลายสายผ่านรูที่เหมาะสมในช่องเก็บแกนมันสาย ดึงสายหย่อนลอดผ่านจนกระทั่งพ้นจากช่องยึดตามที่แสดงในรูป O2
- ◆ กดแกนมันสายลงเบาๆ และหมุนแกนมันสายจนกระทั่งคุณรู้สึกได้ว่าแกนมันสายเข้าที่แล้ว จากนั้นจึงกดเพื่อล็อกแกนมันสายให้เข้าที่ (เมื่อเข้าที่ แกนมันสายจะหมุนไปทางซ้ายและขวาได้อย่างเป็นอิสระทั้งสองสามองศา)
- ◆ ระวังอย่าให้สายเข้าไปติดอยู่ที่ใต้แกนมันสาย
- ◆ จัดแนวปุ่มของฟลายด์แกนมันสายให้อยู่ตรงกับช่องเก็บแกนมันสาย
- ◆ ใส่ฟลายด์แกนมันสายกลับเข้าไปตามที่แสดงในรูป R โดยการกดสลัก และการกดเข้าไปในช่องเก็บแกนมันสาย

**หมายเหตุ:** ตรวจสอบให้แน่ใจว่าฟลายด์อยู่ในตำแหน่งที่ถูกต้อง คุณจะต้องได้ยินเสียงดังกริกสองครั้งเพื่อให้แน่ใจว่าสลักทั้งสองอยู่ในตำแหน่งที่ถูกต้อง เปิดเครื่อง ภายในสองสามวินาทีหรือน้อยกว่านั้น คุณจะได้ยินเสียงสายในลอนถูกตัดโดยอัตโนมัติตามความยาวที่เหมาะสม

**คำเตือน!** เพื่อหลีกเลี่ยงไม่ให้อุปกรณ์เสียหาย หากสายตัดยื่นออกไปเกินใบมีดสำหรับการตัด คุณจะต้องตัดสายออกเพื่อให้สายไปถึงแค่ใบมีดเท่านั้น

**หมายเหตุ:** ชิ้นส่วนทดแทนอื่นๆ (อุปกรณ์ป้องกัน ฟลายด์แกนมันสาย ฯลฯ) มีจำหน่ายที่ศูนย์บริการ BLACK+DECKER หากต้องการค้นหาสถานที่ให้บริการในพื้นที่ของคุณ โปรดไปที่ [www.blackanddecker.com](http://www.blackanddecker.com)

**คำเตือน!** การไข่อุปกรณ์เสริมใดก็ตามที่ BLACK+DECKER ไม่ได้แนะนำให้ใช้กับอุปกรณ์นี้อาจจะเป็นอันตรายได้

### การเปลี่ยนแกนมันสาย

- ◆ ถอดแบตเตอรี่ออกจากอุปกรณ์
- ◆ กดปุ่ม (23) และถอดฝาปิดแกนมันสาย (24) ออกจากช่องเก็บแกนมันสาย (11) (รูป S)
- ◆ จับแกนมันสายเปล่าด้วยมือข้างใดข้างหนึ่ง และจับช่องเก็บแกนมันสายด้วยมืออีกข้าง แล้วดึงแกนมันสายออกมา
- ◆ หากคันโยก (25) (รูป S) ตรงฐานของช่องเก็บหลุดออก คุณจะต้องใส่ให้อยู่ในตำแหน่งที่ถูกตอกก่อนที่จะใส่แกนมันสายอันใหม่เข้าไปในช่องเก็บแกนมันสาย
- ◆ ขจัดสิ่งสกปรกและหญ้าออกจากแกนมันสายและช่องเก็บแกนมันสาย
- ◆ ปลดปลายของสายตัดออก และนำทางสายตัดเข้าไปในรู (O2) รูป S
- ◆ ใช้แกนมันสายอันใหม่ และดันแกนมันสายดังกลับมาบนปุ่ม (26) (รูป S) ในช่องเก็บแกนมันสาย หมุนแกนมันสายเล็กน้อยจนกระทั่งเข้าที่ สายจะต้องยื่นออกมาจากช่องเก็บแกนมันสายประมาณ 136 มม.
- ◆ จัดแนวปุ่มบนช่องเก็บแกนมันสายให้อยู่ตรงกับรูของช่องเก็บแกนมันสาย
- ◆ กดฝาปิดลงบนช่องเก็บแกนมันสายจนกระทั่งล็อกเข้าที่อย่างแน่นหนา

### การมันแกนมันสายกลับจากสายบัลค์

คุณสามารถหาซื้อสายบัลค์ได้จากร้านค้าปลีกในพื้นที่ของคุณ หมายเหตุ: แกนมันสายแบบมันด้วยมือจากสายบัลค์ก็มีแนวโน้มที่จะพันกันบ่อยกว่าแกนมันสายแบบมันจากโรงงานของ BLACK+DECKER แนะนำให้คุณใช้แกนมันสายแบบมันจากโรงงานเพื่อผลลัพธ์ที่ดีที่สุด และปฏิบัติตามขั้นตอนต่อไปนี้หากต้องการใส่สายบัลค์:

- ◆ ถอดแบตเตอรี่ออกจากอุปกรณ์
- ◆ ถอดแกนมันสายเปล่าออกจากอุปกรณ์ตามที่อธิบายไว้ในหัวข้อ "การเปลี่ยนแกนมันสาย"
- ◆ นำสายตัดที่เหลือออกจากแกนมันสาย
- ◆ ทำการพันตรงปลายของสายตัดที่ประมาณ 19 มม. (27) ป้อนสายตัดเข้าไปในช่องยึดสายของใดช่องหนึ่ง (28) ตามที่แสดงในรูป T
- ◆ สอดปลาย 19 มม. ของสายบัลค์เข้าไปในรู (29) ในแกนมันสายที่อยู่ติดกับช่องตามที่แสดงในรูป U ตรวจสอบให้แน่ใจว่าสายถูกดึงจนแน่นกับแกนมันสายตามที่แสดงในรูป U
- ◆ มันสายตัดบนแกนมันสายไปตามทิศทางของลูกศรบนแกนมันสาย ตรวจสอบให้แน่ใจว่าคุณได้มันสายเป็นชั้นๆ อย่างเรียบร้อย ห้ามมันสายไขว้กัน (รูป V1)
- ◆ เมื่อสายตัดที่มันมาถึงจุดหยุด (30) ให้คุณตัดสาย (รูป U)
- ◆ ใส่แกนมันสายเข้ากับอุปกรณ์ตามที่อธิบายไว้ในหัวข้อ "การเปลี่ยนแกนมันสาย"

### การเปลี่ยนชุดสายด้วยชุดใบมีดเรซิน

#### (รูป W1-W3)

- ◆ วางประแจหกเหลี่ยม (31) ลงในพื้นที่จัดเก็บใน (5a) ซึ่งอยู่เหนือที่เก็บใบมีดเรซิน (13) บนตามจับเสริม (5) ตามที่แสดงในรูป W1
- ◆ ถอดฝาปิดแกนมันสาย (24) และถอดแกนมันสาย (32) ออกจากช่องเก็บแกนมันสาย (11)
- ◆ คลายเกลียวสกรู (33) ทวนเข็มนาฬิกาโดยใช้ประแจหกเหลี่ยม (31) และถอดสกรูออกจากชุดมอเตอร์ตามที่แสดงในรูป W2
- ◆ วางชุดใบมีดเรซิน (12) ลงบนเพลารับเคลื่อนในชุดมอเตอร์ และยึดด้วยสกรู (33) โดยใช้ประแจหกเหลี่ยม (31)

### การใส่ใบมีดเรซินเข้ากับชุดใบมีดเรซิน

#### (รูป X1, X2, X3)

- ◆ สอดรูที่มีเส้นผ่านศูนย์กลางใหญ่บนใบมีดเรซิน (12a) เหนือเสาสี่เหลี่ยม (12b) บนชุดใบมีดเรซิน (12) ตามที่แสดงในรูป X1
- ◆ กดลงเพื่อให้รูตรงกับรูเจาะ
- ◆ ดึงออกด้านนอกจนกระทั่งคุณได้ยิน/รู้สึกได้ถึง 'เสียงดังกริก' ตามที่แสดงในรูป X2
- ◆ เปลี่ยนใบมีดเมื่อความยาวของใบมีดลดลง (ตามที่แสดงในรูป X3) จนเหลือน้อยกว่า 50 มม.
- ◆ เปลี่ยนใบมีดทั้งสองอันพร้อมกันอยู่เสมอ
- ◆ ตรวจสอบให้แน่ใจอยู่เสมอว่าใบมีดสำหรับการตัดทั้งสองอันได้รับการติดตั้งอย่างเหมาะสมก่อนที่จะเริ่มทำงาน
- ◆ การใช้งานเครื่องเล็มหญ้าด้วยใบมีดเพียงอันเดียวจะลดประสิทธิภาพการตัด และอาจทำให้เครื่องเล็มหญ้าเสียหายได้

### การเปลี่ยนชุดใบมีดเรซินด้วยชุดสาย

#### (รูป W1-W3)

- ◆ วางประแจหกเหลี่ยม (31) ลงในพื้นที่จัดเก็บใน (5a) ซึ่งอยู่เหนือที่เก็บใบมีดเรซิน (13) บนตามจับเสริม (5) ตามที่แสดงในรูป W1
- ◆ ใส่เครื่องมือเข้าไปในรูในชุดใบมีดเรซิน (12) และค้นหาหัวสกรู คลายเกลียวสกรู (33)
- ◆ เหนือสกรู (33) หลวม ให้ถอดออกจากตัวเรือนของหัวพร้อมกับหัว และวางพักไว้
- ◆ ถอดฝาปิดออกจากช่องเก็บแกนมันสาย
- ◆ วางพีเลอรับเคลื่อนของแกนมันสายลงบนเพลารับเคลื่อนของแกนมันสายจะต้องเลื่อนเข้าที่
- ◆ ใส่สกรูลงตรงกลางของช่องเก็บแกนมันสาย
- ◆ ขันสกรูให้แน่น
- ◆ ใส่ฝาปิดช่องเก็บแกนมันสาย

### ชิ้นส่วนทดแทนเสริม

ใบมีดทดแทน: BZORB20

ชุดแปลงใบมีดเป็นสาย: BZOB2S1

ชุดแปลงสายเป็นใบมีด: BZOS2B1

## การบำรุงรักษา

อุปกรณ์/เครื่องมือแบบมีสาย/ไร้สายของ BLACK+DECKER ได้รับการออกแบบมาเพื่อการทำงานเป็นเวลานาน โดยต้องการการบำรุงรักษาน้อยที่สุด ความพึงพอใจในการใช้งานอย่างต่อเนื่องจะขึ้นอยู่กับการดูแลรักษาเครื่องมือและการทำความสะอาดอย่างสม่ำเสมอ

ที่ขารัจของคุณไม่จำเป็นต้องได้รับการบำรุงรักษาใดๆ นอกจากการทำความสะอาดเป็นประจำ

**คำเตือน!** ก่อนที่จะทำการบำรุงรักษาเครื่องมือไฟฟ้าแบบมีสาย/ไร้สาย:

- ◆ ปิดเครื่อง และถอดปลั๊กอุปกรณ์/เครื่องมือ หรือปิดเครื่อง และถอดแบตเตอรี่ออกจากอุปกรณ์/เครื่องมือหากอุปกรณ์/เครื่องมือดังกล่าวใช้ชุดแบตเตอรี่แบบแยกต่างหาก
- ◆ หรือใช้แบตเตอรี่ให้หมดหากเป็นแบตเตอรี่ในตัว จากนั้นจึงปิดเครื่อง
- ◆ ถอดปลั๊กที่ขารัจออกก่อนที่จะทำความสะอาด ที่ขารัจของคุณไม่จำเป็นต้องได้รับการบำรุงรักษาใดๆ นอกจากการทำความสะอาดเป็นประจำ
- ◆ ทำความสะอาดช่องระบายอากาศในเครื่องมือ/อุปกรณ์ และที่ขารัจของคุณเป็นประจำโดยใช้แปรงขนนุ่มหรือผ้าแห้ง
- ◆ ทำความสะอาดตัวเรือนมอเตอร์เป็นประจำโดยใช้ผ้าหมาด ห้ามใช้น้ำยาทำความสะอาดที่มีฤทธิ์กัดกร่อน หรือตัวทำละลายทุกประเภท
- ◆ ทำความสะอาดสายตัด แกนหมุนสาย และ/หรือใบมีดเป็นประจำโดยใช้แปรงขนนุ่มหรือผ้าแห้ง
- ◆ ใช้มีดโกนที่ถือเพื่อกำจัดหญ้าและสิ่งสกปรกออกจากด้านล่างของอุปกรณ์มือถือเป็นประจำ

## การแก้ไขปัญหา

การแก้ปัญหา	เครื่องทำงานซ้ำ
เครื่องทำงานซ้ำ	ถอดแบตเตอรี่ออกจากเครื่องเล็มหญ้า ตรวจสอบว่าช่องเก็บแกนหมุนสายหรือหัวใบมีด เรขินสามารถหมุนได้อย่างอิสระ ทำความสะอาดด้วยความระมัดระวังในกรณีที่เป็น ตรวจสอบว่าสายตัดไม่ยื่นออกจากแกนหมุนสายเกิน 122 มม. โดยประมาณ หากเป็นเช่นนั้น ให้คุณตัดสายออกเพื่อให้งถึงใบมีดตัดสาย

การป้อนสายโดยอัตโนมัติไม่ป้อนสาย	สายจะถูกป้อนมากขึ้นเมื่อสายสั้นลงจนเหลือ 76 มม. โดยประมาณ ในการตรวจสอบว่าสายไม่ป้อนหรือไม่ ให้คุณเปลี่ยนสายให้เล็กลงไปที่ขนาดป้อนต่างไว้ และถอดฝาปิดแกนหมุนสายพร้อมตัวแกนหมุนสายออกจากช่องเก็บแกนหมุนสายในหัวของเครื่องเล็มหญ้า ตรวจสอบให้แน่ใจว่าสายไม่ไต่ไว้กับขนบนแกนหมุนสายตามรายละเอียดใน (รูป T) หากสายติดคล้อย คุณจะต้องม้วนสายตัดให้เรียบร้อย ตรวจสอบบางครั้งด้านของแกนหมุนสายเพื่อดูว่าเสียหายหรือไม่ หากเสียหาย ให้คุณเปลี่ยนแกนหมุนสาย ดึงสายตัดจนกระทั่งสายตัดยื่นออกไปจากแกนหมุนสายประมาณ 122 มม. หากสายตัดที่เหลืออยู่บนแกนหมุนสายไม่มากพอ ให้คุณใส่แกนหมุนสายของสายตัดอันใหม่ จัดแนวปุ่มต่างๆ บนฝาปิดแกนหมุนสายให้ตรงกับรูที่เจาะของช่องเก็บแกนหมุนสาย กดฝาปิดแกนหมุนสายลงบนช่องเก็บแกนหมุนสายจนกระทั่งล็อกเข้าที่อย่างแน่นหนา หากสายตัดยื่นออกไปเกินใบมีดสำหรับการตัด คุณจะต้องดึงสายออกเพื่อให้อายุไปถึงแคใบมีดเท่านั้น หากการป้อนสายโดยอัตโนมัติยังคงไม่ทำงาน หรือแกนหมุนกระดาศติด ให้คุณลองทำตามคำแนะนำต่อไปนี้: ทำความสะอาดแกนหมุนสายและช่องเก็บแกนหมุนสายด้วยความระมัดระวัง ตรวจสอบให้แน่ใจว่าคุณใช้ขนาดและเส้นผ่านศูนย์กลางของสายที่ถูกต้อง (2.00 มม.) ขนาดของสายที่เล็กกว่าและใหญ่กว่านี้จะส่งผลต่อการทำงานของระบบป้อนสายอัตโนมัติ ถอดแกนหมุนสายออก และตรวจสอบว่าคานโยกในช่องเก็บแกนหมุนสายสามารถเคลื่อนที่ได้ อย่างเป็นอิสระหรือไม่ ถอดแกนหมุนสายออก และคลี่สายตัดออก จากนั้นจึงม้วนกลับให้เรียบร้อยอีกครั้ง ใส่แกนหมุนสายเข้าในช่องเก็บแกนหมุนสาย
การป้อนสายที่มากเกินไป	ตรวจสอบให้แน่ใจว่าคุณตัดตรงปลายสายที่ 177 มม. จากแกนหมุนสาย ใช้ตัวนำขมบนหากจำเป็นเพื่อให้แน่ใจว่าได้ถึงการรักษาของว่างที่เหมาะสม ตรวจสอบให้แน่ใจว่าคุณไม่ได้ทวนแกน 10 องศาตามที่แสดงใน (รูป M) หลีกเลี่ยงไม่ให้สายตัดสัมผัสกับพื้นผิวที่แข็งอย่างอิฐ คอนกรีต ไม้ ฯลฯ การทำเช่นนี้จะช่วยป้องกันการสึกหรอและ/หรือการป้อนสายที่มากเกินไป ตัดตรงปลายสาย
สายคล้อยเมื่อถอดฝาปิดหรือแกนหมุนสายออก	ตรวจสอบให้แน่ใจว่าคุณได้หยุดสายในช่องยึด (รูป R) ก่อนที่จะทำการถอด

## การคุ้มครองสิ่งแวดล้อม



ทั้งแยกต่างหาก ต้องไม่นำผลิตภัณฑ์และแบตเตอรี่ที่มีสัญลักษณ์นี้ไปทิ้งรวมกับของเสียในบ้านตามปกติ

ผลิตภัณฑ์และแบตเตอรี่ที่มีวัสดุที่สามารถนำมาใช้ใหม่ได้ หรือนำมารีไซเคิลได้เพื่อเป็นการลดความต้องการด้านวัตถุดิบ โปรดรีไซเคิลผลิตภัณฑ์ไฟฟ้าและแบตเตอรี่ตามข้อบังคับในท้องถิ่น โปรดดูข้อมูลเพิ่มเติมที่ [www.2helpU.com](http://www.2helpU.com)

## ข้อมูลด้านการบริการ

BLACK+DECKER มีเครือข่ายศูนย์บริการทั้งที่บริษัทเป็นเจ้าของและที่ได้รับอนุญาตมากมายทั่วเอเชีย ศูนย์บริการของ BLACK+DECKER ทุกแห่งมีบุคลากรที่ชำนาญการไว้คอยให้บริการลูกค้าเกี่ยวกับผลิตภัณฑ์อย่างมีประสิทธิภาพและเชื่อถือได้

โปรดติดต่อศูนย์ของ BLACK+DECKER ที่ใกล้คุณที่สุด หากคุณต้องการคำแนะนำด้านเทคนิค การซ่อมแซม หรือการเปลี่ยนชิ้นส่วนแท้จากโรงงาน

## หมายเหตุ

- ◆ BLACK+DECKER มีนโยบายในการปรับปรุงผลิตภัณฑ์อย่างต่อเนื่อง เราจึงขอสงวนสิทธิ์ในการเปลี่ยนแปลงข้อมูลจำเพาะของผลิตภัณฑ์โดยไม่แจ้งให้ทราบล่วงหน้า
- ◆ อุปกรณ์และอุปกรณ์เสริมมาตรฐานอาจแตกต่างกันไปในแต่ละประเทศ
- ◆ ข้อมูลจำเพาะของผลิตภัณฑ์อาจแตกต่างกันไปในแต่ละประเทศ
- ◆ ผลิตภัณฑ์ทุกชนิดอาจไม่มีจำหน่ายในทุกประเทศ โปรดติดต่อตัวแทน BLACK+DECKER ในท้องถิ่นของคุณเพื่อสอบถามความพร้อมจำหน่ายของผลิตภัณฑ์







